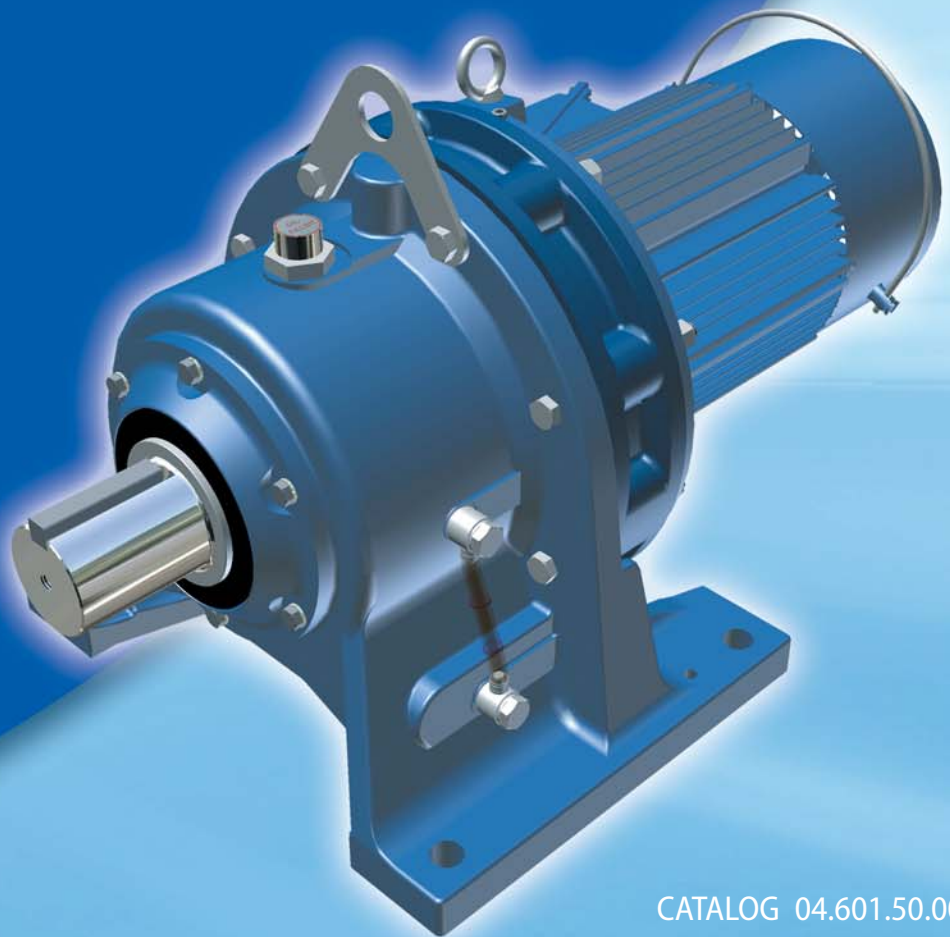


Sumitomo Drive Technologies
Always on the Move

Cyclo[®] 6000

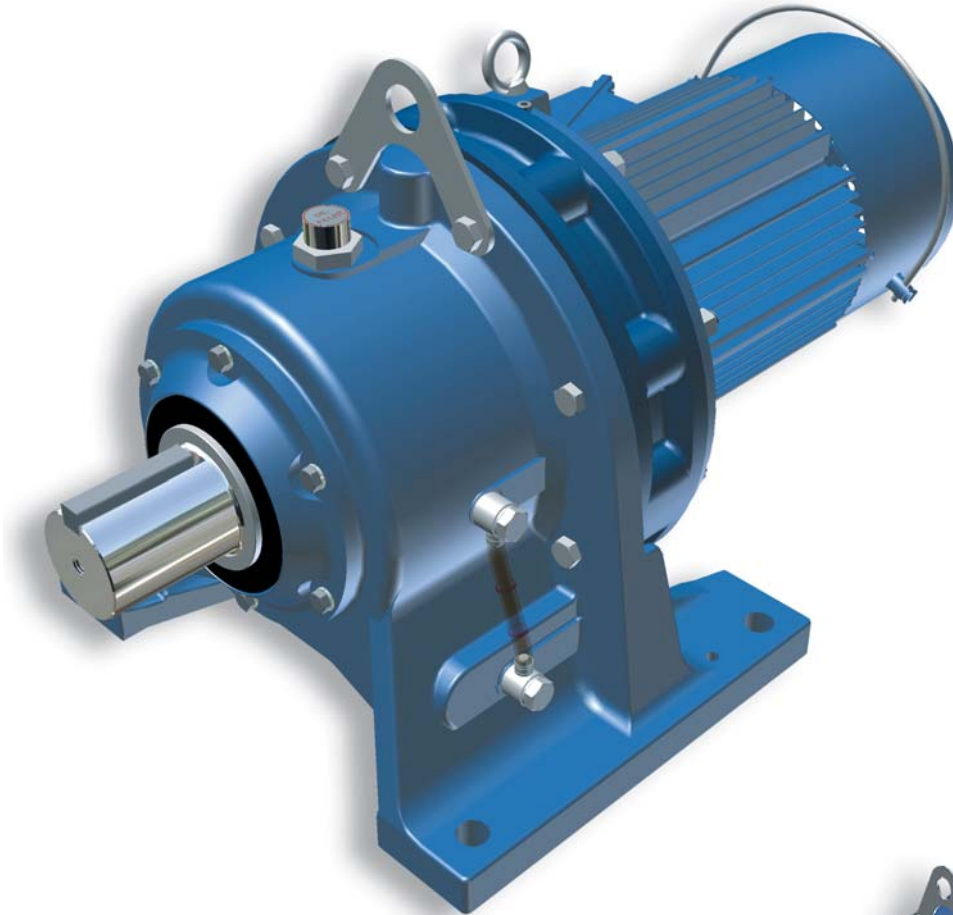
Gearmotors



CATALOG 04.601.50.004

Cyclo® 6000

Superior design, powerful performance



► The Cyclo® 6000 is also available as a Speed Reducer

To request a catalog, or for more information on any of our high quality products, please visit our Website:

www.sumitomodrive.com

► Cyclo® 6000 boasts an expanded range of standard sizes and ratings. Use this chart to select a new Cyclo® 6000 when replacing Cyclo® series 3000 and 4000 models.

CYCLO® Frame Size Cross Reference		
PRIOR SERIES		NEW
3000	4000	6000
3075	4075	6060
		6065
		6070
3085	4085	6075
		6080
		6085
3090	4090	6090
3095	4095	6095
3097	4097	6095
3100	4100	6100
3105	4105	6105
310H	410H	610H
		6110
		6115
3110	4110	6120
3115	4115	6125
311H	4125	612H
3140	4130	6130
3145	4135	6135
		6140
3155	4145	6145
315H	4155	614H
3160	4160	6160
3165	4165	6165
316H	416H	616H
3170	4170	6170
3175	4175	6175
3180	4180	6180
3185	4185	6185
3190	4190	6190
3195	4195	6195
3205	4205	6205
3215	4215	6215
3225	4225	6225
3235	4235	6235
3245	4245	6245
3255	4255	6255
3265	4265	6265
3275	4275	6275

Table of Contents

1. General Information

2. How to Select a Gearmotor

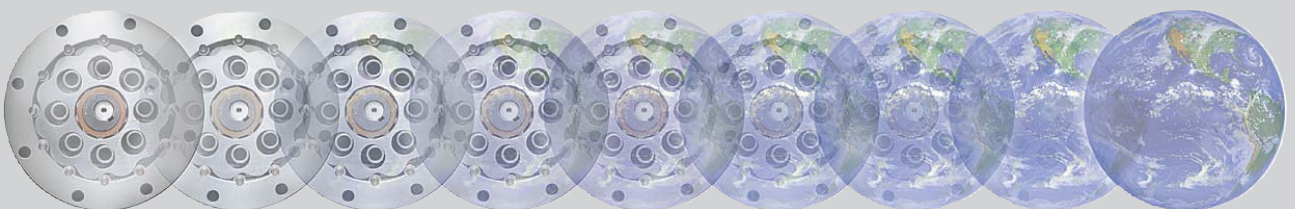
How to Select.	2.2
AGMA Load Classifications.	2.4
Configure a Model Number (Nomenclature).	2.6
Housing Styles & Mounting Positions.	2.8

3. Selection Tables. 3.1

4. Dimensions. 4.1

5. Technical Information

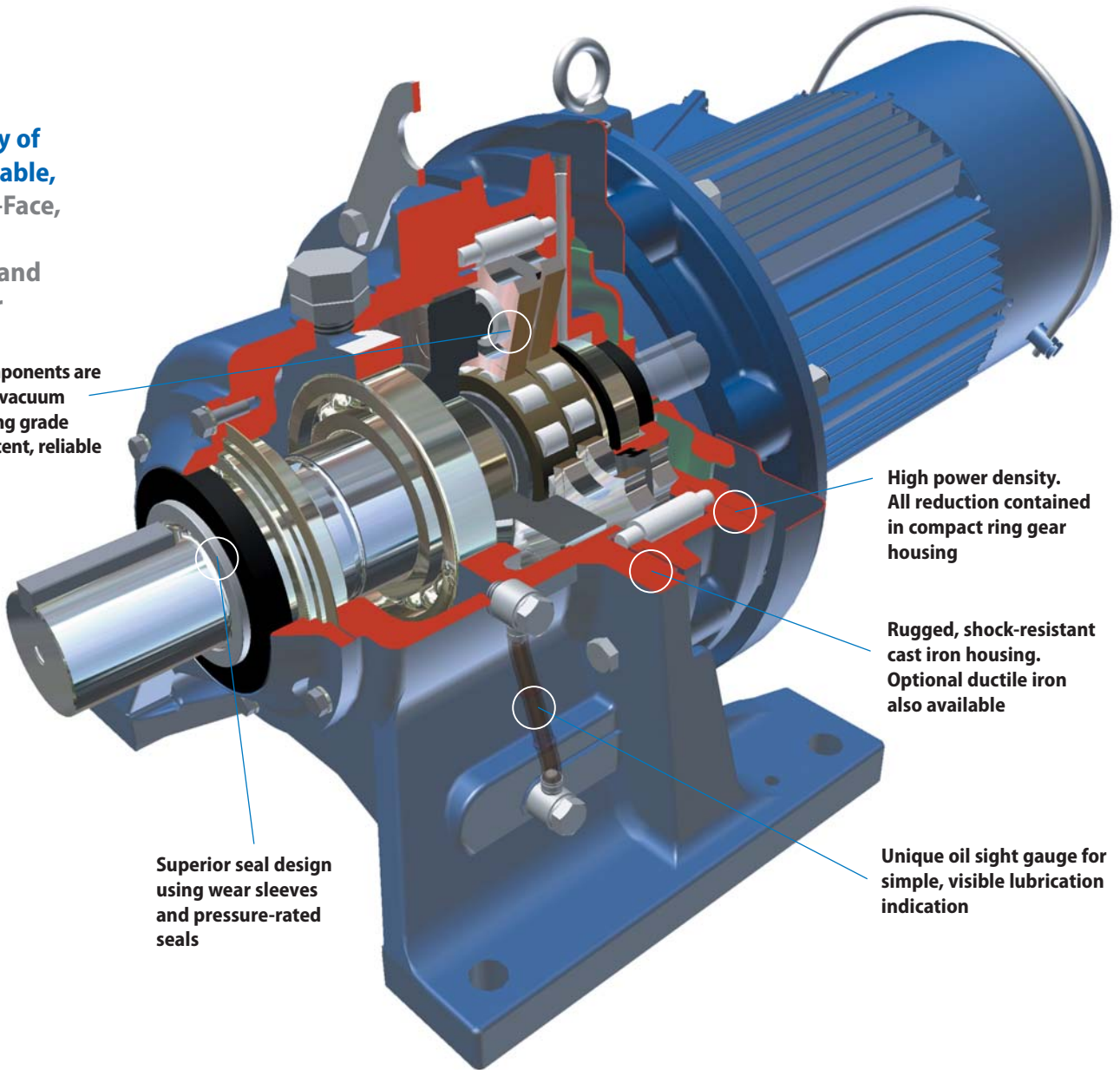
Lubrication.	5.2
Overhung Load Guidelines.	5.6
Axial Load Guidelines.	5.10
Motor.	5.11



Cyclo® 6000

- ▶ **Wide variety of inputs available, including C-Face, Free-Shaft, Gearmotor and Brakemotor**

All rotating components are fully hardened, vacuum degassed bearing grade steel, for consistent, reliable performance



Superior seal design using wear sleeves and pressure-rated seals

High power density. All reduction contained in compact ring gear housing

Rugged, shock-resistant cast iron housing. Optional ductile iron also available

Unique oil sight gauge for simple, visible lubrication indication



Unmatched Reliability, Exceptional Performance

- ▶ Cyclo® speed reducers and gearmotors are designed to withstand shock loads exceeding 500% of their ratings



Product Description

The Sumitomo Cyclo® drive is **unsurpassed by any other inline drive** available in the market today. **Cyclo®'s unique cycloidal design** has advantages superior to speed reducers using common involute gears. Cyclo® components operate in compression, not in shear. Unlike gear teeth with limited contact points, a Cyclo® has two thirds of its reduction components in contact at all times. Cyclo® speed reducers and gearmotors are **designed to withstand shock loads exceeding 500%** of their ratings, and provide exceptional performance, reliability and long life in the most severe applications.

Features & Benefits

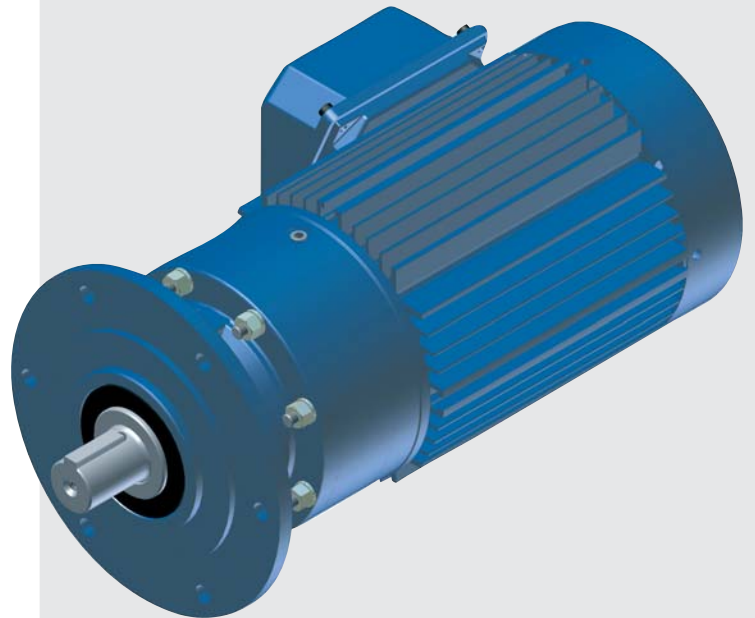
- **Highest overload capacity**, exceeding 500%
- **Exceptional life** with a 24 month warranty
- **High efficiency**, even at high reduction ratios
- **Versatile**, available as gearmotor or inline speed reducer
- Ideal for **severe, high shock** applications
- Optional grease lubrication for low maintenance

Specifications

Sizes:	23 models (5 lbs to 5000 lbs)
Torque Rating:	55 to 603,000 lb in
HP Rating:	.10 to 235 HP
Ratio Range:	3:1 to 119:1 (single) 121:1 to 7569:1 (double) 8041:1 to 658,503:1 (triple)
Mounting:	Foot, Flange, Face Mount

- ▶ **Sumitomo's Cyclo® 6000 is extremely torque dense** and is available as an inline gearmotor or speed reducer

- Connection free design
- Rugged forged output shaft
- Direct acting brake option
- Unmatched durability
- Foot and Flange Styles



▶ Applications

- Conveyors
- Food Machinery
- Mixers
- Automotive Plants
- Recycling Machines
- Poultry Plants
- Sawmills and Wood Mills
- Wastewater Treatment
- Steel Mills
- Construction Equipment
- Paper Mills
- Processing Plants

Product Range (Standard Motor and Reducer Combinations)

Ratios 3–119

Combinations with 1750 RPM input speed

Ratio	3	5	6	8	11	13	15	17	21	25	29	35	43	51	59	71	87	119
Output Speed RPM (60 Hz)	583	350	292	219	159	135	117	103	83.3	70.0	60.3	50.0	40.7	34.3	29.7	24.6	20.1	14.7
Motor HP																		
1/8			●	●	●	●	●	●	●	●	●	●	●	●	●	●	●	●
1/4			●	●	●	●	●	●	●	●	●	●	●	●	●	●	●	●
1/3			●	●	●	●	●	●	●	●	●	●	●	●	●	●	●	●
1/2			●	●	●	●	●	●	●	●	●	●	●	●	●	●	●	●
3/4			●	●	●	●	●	●	●	●	●	●	●	●	●	●	●	●
1			●	●	●	●	●	●	●	●	●	●	●	●	●	●	●	●
1.5	●	●	●	●	●	●	●	●	●	●	●	●	●	●	●	●	●	●
2	●	●	●	●	●	●	●	●	●	●	●	●	●	●	●	●	●	●
3	●	●	●	●	●	●	●	●	●	●	●	●	●	●	●	●	●	●
5	●	●	●	●	●	●	●	●	●	●	●	●	●	●	●	●	●	●
7.5	●	●	●	●	●	●	●	●	●	●	●	●	●	●	●	●	●	●
10	●	●	●	●	●	●	●	●	●	●	●	●	●	●	●	●	●	●
15	●	●	●	●	●	●	●	●	●	●	●	●	●	●	●	●	●	●
20	●	●	●	●	●	●	●	●	●	●	●	●	●	●	●	●	●	●
25	●	●	●	●	●	●	●	●	●	●	●	●	●	●	●	●	●	●
30	●	●	●	●	●	●	●	●	●	●	●	●	●	●	●	●	●	●
40	●	●	●	●	●	●	●	●	●	●	●	●	●	●	●	●	●	●
50				●	●	●	●	●	●	●	●	●	●	●	●	●	●	●
60				●	●	●	●	●	●	●	●	●	●	●	●	●	●	●
75				●	●	●	●	●	●	●	●	●	●	●	●	●	●	●
100				●	●	●	●	●	●	●	●	●	●	●	●	●	●	●

● Note: Ratios 3 and 5 are planetary.

Ratios 11–87

Combinations with 1165 RPM input speed

Ratio	11	15	21	29	43	59	87
Output Speed RPM (60 Hz)	106	77.7	55.5	40.2	27.1	19.7	13.4
Motor HP							
20					●	●	●
25					●	●	●
30					●	●	●
40			●	●	●	●	●
50		●	●	●	●	●	●
60		●	●	●	●	●	●
75	●	●	●	●	●	●	●
100	●	●	●	●	●	●	●
125	●	●	●	●	●	●	●
150	●	●	●	●	●	●	●
175	●	●	●	●	●	●	●

Ratios 104–7569

Combinations with 1750 RPM input speed

Ratio	104	121	143	165	195	231	273	319	377	473	559	649	731	841	1003	1247	1479	1849	2065	2537	3045	3481	4437	5133	6177	7569		
Output Speed RPM (60 Hz)	16.8	14.5	12.2	10.6	8.97	7.58	6.41	5.49	4.64	3.70	3.13	2.70	2.39	2.08	1.74	1.40	1.18	.946	0.847	0.690	0.575	0.503	0.394	0.341	0.283	0.231		
Motor HP																												
1/8	●	●	●	●	●	●	●	●	●	●	●	●	●	●	●	●	●	●	●	●	●	●	●	●	●	●		
1/4	●	●	●	●	●	●	●	●	●	●	●	●	●	●	●	●	●	●	●	●	●	●	●	●	●	●		
1/3	●	●	●	●	●	●	●	●	●	●	●	●	●	●	●	●	●	●	●	●	●	●	●	●	●	●		
1/2	●	●	●	●	●	●	●	●	●	●	●	●	●	●	●	●	●	●	●	●	●	●	●	●	●	●		
3/4	●	●	●	●	●	●	●	●	●	●	●	●	●	●	●	●	●	●	●	●	●	●	●	●	●	●		
1	●	●	●	●	●	●	●	●	●	●	●	●	●	●	●	●	●	●	●	●	●	●	●	●	●	●		
1.5	●	●	●	●	●	●	●	●	●	●	●	●	●	●	●	●	●	●	●	●	●	●	●	●	●	●		
2	●	●	●	●	●	●	●	●	●	●	●	●	●	●	●	●	●	●	●	●	●	●	●	●	●	●		
3	●	●	●	●	●	●	●	●	●	●	●	●	●	●	●	●	●	●	●	●	●	●	●	●	●	●		
5	●	●	●	●	●	●	●	●	●	●	●	●	●	●	●	●	●	●	●	●	●	●	●	●	●	●		
7.5	●	●	●	●	●	●	●	●	●	●	●	●	●	●	●	●	●	●	●	●	●	●	●	●	●	●		
10	●	●	●	●	●	●	●	●	●	●	●	●	●	●	●	●	●	●	●	●	●	●	●	●	●	●		
15	●	●	●	●	●	●	●	●	●	●	●	●	●	●	●	●	●	●	●	●	●	●	●	●	●	●		
20	●	●	●	●	●	●	●	●	●	●	●	●	●	●	●	●	●	●	●	●	●	●	●	●	●	●		
25	●	●	●	●	●	●	●	●	●	●	●	●	●	●	●	●	●	●	●	●	●	●	●	●	●	●		
30	●	●	●	●	●	●	●	●	●	●	●	●	●	●	●	●	●	●	●	●	●	●	●	●	●	●		
40	●	●	●	●	●	●	●	●	●	●	●	●	●	●	●	●	●	●	●	●	●	●	●	●	●	●		
50	●	●	●	●	●	●	●	●	●	●	●	●	●	●	●	●	●	●	●	●	●	●	●	●	●	●		
60	●	●	●	●	●	●	●	●	●	●	●	●	●	●	●	●	●	●	●	●	●	●	●	●	●	●		
OUTPUT TORQUE lb•in																												
min.	212	212	212	212	212	212	212	212	212	212	212	212	212	212	212	212	212	212	212	212	212	212	212	212	212	212	212	
max.	65,000	280,000	67,000	390,000	410,000	410,000	410,000	410,000	410,000	410,000	410,000	410,000	410,000	410,000	410,000	410,000	410,000	410,000	410,000	410,000	410,000	410,000	410,000	410,000	410,000	410,000	410,000	

How do I select a Cyclo® gearmotor?

Selection is based on the motor horsepower and/or torque requirements at the output shaft. The Cyclo® gearmotor has particularly high efficiencies over a wide range of reduction ratios, which frequently permits the use of reduced input power requirements (smaller HP motor) without sacrificing output shaft torque. The selection procedures in this catalog will guide you in choosing the most efficient gearmotor for your application.

What information do I need to get started in the selection process?

To select the proper gearmotor for your application, you will need to know:

- Application: type of driven machine
- Hours of operation per day
- Motor horsepower (HP) and speed (RPM)
- Mounting position

If there are any special environmental factors or operation requirements, they must also be noted. This information will be important in determining the Service Factor of your application.

What are Service Classes and how are they used?

In general, gearmotors are rated for the specific conditions and operating requirements of the application by the use of AGMA-defined Service Classes. There are three AGMA Service Classifications for gearmotors: uniform (I), moderate shock (II) and heavy shock (III) (pages 2.4-2.5) The Service Classes are used in the product selection process to adjust for the specific conditions and operating requirements of your application.

What do I do if my application has particularly severe operating conditions?

The standard ratings for Cyclo® are based on 10-hour daily service under conditions of uniform loads (equivalent to AGMA service Class I). By following the product selection process, you will determine and apply the Service Factors to compensate for longer periods of operation and/or severe operating conditions.

How can I be sure that the gearmotor can withstand periodic excessive overloads?

Cyclo® Gearmotors provide 500% momentary intermittent shock load capacity. Planetary gearmotors can accommodate 300% momentary shock loads. For applications with shock loads greater than 500%, consult an SMA Application Engineer.

What are the standard input speeds?

In general terms, the speeds are 1750 and 1165 RPM. When non-standard input speeds are used, the horsepower and torque ratings also vary.

What thermal capacity limitations does the Cyclo® have?

The Cyclo® gearmotor, by virtue of its smooth, almost frictionless operation (unlike traditional helical gears), has a thermal rating that far exceeds its mechanical capacity and all but eliminates the conventional limitations due to heat under normal ambient conditions.

What inverter turn-down ratios are available?

A 2:1 ratio is standard with Class F insulation. A 10:1 ratio is available for large frame inverter duty motors. A 1000:1 ratio is available in a C-face configuration.

Common Configurations

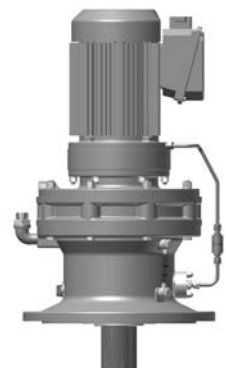
Single Reduction,
Horizontal Foot Mount
Brakemotor



Single Reduction, Flange Mount



Single Reduction, V-Flange Mount



Double Reduction

Standard Specifications

	Standard Specifications	Standard Specifications with Built-In Brake	
3-Phase Integral Motor	Capacity Range:	1/8 HP ~ 75 HP, 4P 20 ~ 75 HP, 6P	1/8 HP ~ 15 HP, 4P: FB Brake 20 HP, 4P: CMB Brake 25 HP ~ 40 HP, 4P: ESB Brake
	Enclosure:	Totally enclosed fan cooled type (1/8 HP, 4P Totally enclosed non ventilated)	Totally enclosed fan cooled type (1/8 HP, 4P Totally enclosed non ventilated)
	Power Supply:	230/460 Volts, 60 Hz 575 Volts, 60 Hz	230/460 Volts, 60 Hz 575 Volts, 60 Hz
	Insulation:	3/4 ~ 30 HP: Class B 40 HP: Class F	3/4 ~ 20 HP: Class B
	Time Rating	Continuous	Continuous
	Standards	UL, CE, CSA are available	Please consult factory
	<i>Note:</i>	<i>Dimensions for 575 Volt and CSA units may be different than those specified in Section 4, please consult factory.</i>	

Reducer	Reduction:	Involute crowned tooth profile for ratios 3 and 5:1. Internal planetary gear mechanism with trochoidal curved tooth profile for ratios 6:1 and higher.
	Lubrication:	Grease or oil lubricated models available.
	Seals:	Nitrile material, dual lipped, double output seals available.
	Material:	Rugged cast iron or ductile housings.
	Paint Color:	Blue, Muenters color number 6.5PB 3.6/8.2
<i>Note:</i>	<i>Ratings listed in Section 3 may be altered if models normally designed for oil lubrication are special ordered for grease lubrication; please consult factory.</i>	

Ambient Conditions	Installation Location:	Indoors (Minimal dust and humidity)
	Ambient Temperature:	14°~104° F (-10° ~ 40° C)
	Ambient Humidity:	Under 85%
	Elevation:	Under 3,281 ft. (1000 meters)
	Atmosphere:	Well ventilated location, free of corrosive gases, explosive gases, vapors and dust.

Shaft Rotation

On single reduction Cyclo® gearmotors, ratios 3 through 119, the slow speed shaft rotates in a reverse direction to that of the motor shaft.

On double reduction units, ratios 104 through 7569, both the motor and the slow speed shaft rotate in the same direction.

Input Speeds

In general terms, the standard input speeds of single reduction units are 1750 and 1165 RPM. When non-standard input speeds are used, the horsepower and torque ratings will also vary.

Thermal Capacity

The Cyclo® gearmotor's smooth, almost frictionless operation all but eliminates the conventional limitations due to heat. In all sizes, Cyclo® gearmotors have thermal ratings that exceed their mechanical capacity.

2

How to Select

How to
Select

How to Select a Gearmotor

Step 1: Collect data about your application

Before starting you need to know the:

- **Application (e.g. Conveyor, Mixer, etc.)**
- **Hours of Operation per day**
- **Motor Horsepower (HP) and Speed (RPM)**
- **Desired Output Speed**
- **Mounting Position and Style**
- **Overhung or Thrust Loads**
- **Shaft Dimensions, inch or metric**
- **Electrical Specifications**

Step 2: Select a Frame Size

2A: Find the **Load Classification** of your application in the *AGMA Load Classification Tables* on pages 2.4 and 2.5.

2B: Go to the *Gearmotor Selection Table* that corresponds to the desired **Motor HP**. Find the **Output Speed** closest to the desired output speed.

2C: Locate the **Service Class** in the *Gearmotor Selection Table* for your application and select the **HP Symbol and Frame Size SELECTION** that matches the HP, Output Speed, and Service Class.

Step 3: Select a Housing Style and Mounting Position

Select a housing style and mounting position from chart on page 2.8.

Step 4: Verify Dimensions

Use the Dimensions information on pages 4.1-4.67 to verify that the selected Frame Size is appropriate.

Step 5: Choose Options and Modifications

The following options may apply:

Specify Voltage (*Consult factory when application requires 575 Volt or CSA unit; dimensions may be different than those specified in Section 4.*)

Inverter Duty

Special Environments

Special Paint

Please see the Cyclo pricelist, or visit our website at www.smcyclo.com for available modifications.



Step 6: Configure a Model Number

Go to page 2.6 to configure a model number.

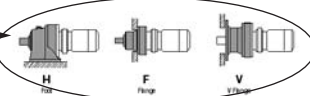
Note: You will use the information you gather from the procedure on this page to Configure a Model Number.

Select a Frame Size

CYCLO® 6000 Gearmotors

60 Hz Frame Size Selection Tables

• Motor HP → **1/8 HP**
60 Hz, 1750 RPM

• Housing Style & Mounting Position → 

• Output Speed → **1750 RPM**

• Service Class → **AGMA Class III**

• SELECTION Frame Size and HP Symbol → **01 6075DA**

Output Speed RPM	Output Torque in-lbs	Service Factor SF	Overhung Load lbs	SELECTION					Option Inverter Duty	
				HP Symbol	Frame Size	Shaft Spec.	AGMA Class	Ratio		
10.6	212	-	265	01	6060DA	Y		165	AV	
	265	-	265	01	6065DA	Y		165	AV	
	398	-	397	01	6070DA	Y		165	AV	
	531	-	397	01	6075DA	Y		165	AV	
	717	1.85	III	750	01	6090DA	Y	C	165	AV
	717	2.47	III	750	01	6095DA	Y	C	165	AV
8.97	212	-	265	01	6060DA	Y		195	AV	
	265	-	265	01	6065DA	Y		195	AV	
	398	-	397	01	6070DA	Y		195	AV	
	531	-	397	01	6075DA	Y		195	AV	
	848	1.57	II	750	01	6090DA	Y	B	195	AV
	848	2.09	III	750	01	6095DA	Y	C	195	AV
7.58	848	2.61	III	1210	01	6100DA	Y	C	195	AV
	212	-	265	01	6060DA	Y		231	AV	
	265	-	265	01	6065DA	Y		231	AV	
	398	-	397	01	6070DA	Y		231	AV	

Selection Tables

For special circumstances in selecting a **Frame Size** such as:

- Overhung Loads
- Axial Loads

Consult Section 5, pages 5.6 – 5.10.

If Overhung Load is present, any Overhung Load must be checked against the capacity of the selection.



AGMA Load Classifications: Gearmotors

Gearmotor Classification

DURATION OF SERVICE	SERVICE CLASS		
	UNIFORM LOAD	MODERATE SHOCK LOAD	HEAVY SHOCK LOAD
Intermittent 3 Hr. per day	Class I	Class I	Class II
Up to 10 Hr. per day	Class I	Class II	Class III
24 Hr. per day	Class II	Class III	—

Class I For steady loads not exceeding normal motor rating, 8 to 10 hours a day. Moderate shock loads where service is intermittent (AGMA Service Factor: 1.0).

Class II For steady loads not exceeding normal motor rating and 24 hours a day service. Moderate shock loads for 8 hours a day (AGMA Service Factor: 1.4).

Class III For moderate shock loads for 24 hours a day. Heavy shock loads for 8 hours a day (AGMA Service Factor: 2.0).

Note: Selections without an AGMA Class designation are torque based selections generally used for intermittent service.

AGMA Tables

Load Classification by INDUSTRY

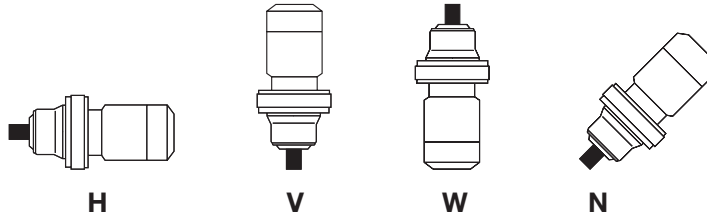
Application	Class		Application	Class		Application	Class		Application	Class	
	Up to 10 Hr. per day	24 Hr. per day		Up to 10 Hr. per day	24 Hr. per day		Up to 10 Hr. per day	24 Hr. per day		Up to 10 Hr. per day	24 Hr. per day
Brewing & Distilling			Lumber Industry			Oil Well Pumping	Refer to Factory		Tire Building Machines	Refer to Factory	
Bottling Machinery	I	II	Barkers—			Paraffin Filter Press	II	II	Tire, Tube Press		
Brew Kettles, Cont. Duty	—	II	Spindle Feed	II	III	Rotary Kilns	II	II	Openers	Refer to Factory	
Can Filling Machines	I	II	Barkers—			Paper Mills			Tubers & Stainers	II	II
Cookers—Cont. Duty	—	II	Main Drive	III	III	Agitators (Mixers)	II	II	Sewage Disposal		
Mash Tubs—Cont. Duty	—	II	Carriage Drive	Refer to Factory		Barker—Auxiliaries—			Aerators	Refer to Factory	
Scale Hoppers—			Conveyors			Hyd.	—	III	Bar Screens	I	II
Frequent Starts	II	II	Burner	II	III	Barker, Mechanical	—	III	Chemical Feeders	I	II
Clay Working Industry			Main or Heavy Duty	II	III	Barking Drum	—	III	Collectors	I	II
Brick Press	III	III	Main Log	III	III	Beater & Pulper	—	II	Dewatering Screens	II	II
Briquette Machines	III	III	Re-Saw			Bleacher	—	II	Grit Collectors	I	II
Clay Working Machinery	II	II	Merry-Go-Round	II	III	Calenders	—	II	Scum Breakers	II	II
Pug Mills	II	II	Slab	III	III	Calenders—Super	—	II	Slow or Rapid Mixers	II	II
Distilling (See Brewing)			Transfer	II	III	Converting Mach.—			Sludge Collectors	I	II
Dredges			Chains—Floor	II	III	Except Cutters—			Thickeners	II	II
Cable Reels	II	—	Chains—Green	II	III	Platers	—	II	Vacuum Filters	II	II
Conveyors	II	II	Cut-Off Saws—Chain	II	III	Conveyors	—	II	Textile Industry		
Cutter Head Drives	III	III	Cut-Off Saws—Drag	II	III	Couch	—	II	Batchers	II	II
Jig Drives	III	III	Debarking Drums	III	III	Cutters, Platers	—	III	Calenders	II	II
Maneuvering Winches	II	—	Feeds—Edger	II	III	Cylinders	—	II	Card Machines	II	II
Pumps	II	II	Feeds—Gang	III	III	Dryers	—	II	Cloth Finishing Machines		
Screen Drives	III	III	Feeds—Trimmer	II	III	Felt Stretchers	—	II	(Calenders, Dryers,		
Stackers	II	II	Log Deck	III	III	Felt Whippers	—	III	Pads, Tenters,		
Utility Winches	II	—	Log Hauls—Incline,			Jordans	—	II	Washers)		
Food Industry			Well Type	III	III	Log Haul	—	III	Dry Cans	II	II
Beet Slicers	II	II	Log Turning Devices	III	III	Presses	—	II	Dyeing Machinery	II	II
Bottlings, Can Filling Mach.	I	II	Planer Feed	II	III	Pulp Machine Reels	—	II	Knitting Machinery	Refer to Factory	
Cereal Cookers	I	II	Planer Tilting Hoists	II	III	Stock Chests	—	II	Looms, Mangles,		
Dough Mixers	II	II	Rolls—Live—Off			Suction Rolls	—	II	Nappers	II	II
Meat Grinders	II	II	Bearing—Roll Cases	III	III	Washers & Thickeners	—	II	Range Drives	Refer to Factory	
			Sorting Table	II	III	Winders	—	II	Soapers, Spinners	II	II
			Tipple Hoist	II	III	Rubber Industry			Tenter Frames	II	II
			Transfers—Chain	II	III	Mixer	III	III	Winders	II	II
			Transfers—Craneway	II	III	Rubber Calender	II	II	Yarn Preparatory Machinery (Cards, Spinners, Slashers)	II	II
			Tray Drives	II	III	Rubber Mill (2 or more)	II	II			
			Oil Industry			Sheeter	II	II			
			Chillers	II	II						

Configure a Model Number

Nomenclature

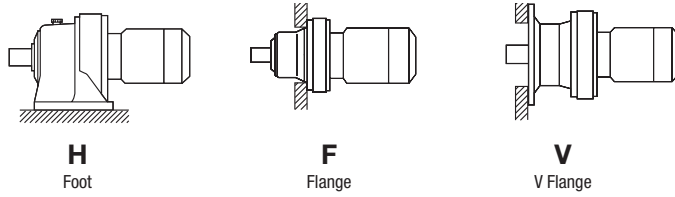
Output Shaft Orientation

Type	Prefix
Horizontal	H
Vertical	V
Vertical Up	W
Universal Direction	N



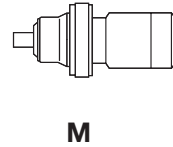
Housing Style

Type	Prefix
Foot	H
Flange	F
V-Flange	V



Input Connection

Input Connection	Prefix
None - Integral Gearmotor	M
C-Face Adaptor	JM
Hollow Input Shaft	XM



Modification (Special)

	Prefix
Special	S
Standard	-

Motor Capacity Symbol

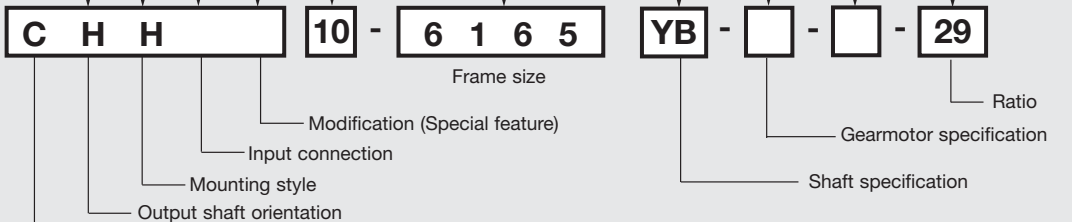
4P	HP	1/8	1/4	1/3	1/2	3/4	1	1.5	2	3	4	5	7.5	10	15	20	25	30	40	50	60	75	100
	Symb	01	02	03	05	08	1	1H	2	3	4	5	8	10	15	20	25	30	40	50	60	75	100
6P	HP	20	25	30	40	50	60	75	100	125	150	175											
	Symb	206	256	306	406	506	606	756	1006	1256	1506	1756											

Frame Size (from Selection Tables)

Shaft Specifications

Input Shaft	Suffix
Metric JIS	-
Inch	Y
AGMA I	YA
AGMA II	YB
AGMA III	YC
Metric DIN	G

B	With Brake
	No Brake



C = Ratios 6:1 and greater (Cyclo Gearmotor product code)
 P = Ratios 3:1 and 5:1 (Cyclo 6000 planetary product code)

Nomenclature

Example

CHHM10 – 6165YB – 29

C – Cyclo 6000 **6165** – Frame Size
H – Horizontal O/P **YB** – Inch Shaft, AGMA Class II
H – Foot Mount **29** – Ratio
M – Gearmotor

Nomenclature

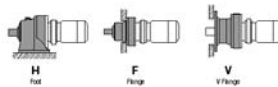
Gearmotor Specification

Type	Suffix
Torque Limiter	TL
High Capacity Bearing	R1
High Capacity Bearing Ductile Casing	R2
HH Type	H1 H2 H3
Low Backlash	LB
AF Motor	AV
Single Phase Motor	SG
Servo Motor	SV
DC Motor	DV

Ratio

CYCLO® 6000 Gearmotors

60 Hz Frame Size Selection Tables



1/8 HP
60 Hz, 1750 RPM

Nominal Total Ratio

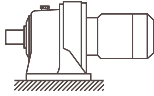
Output Speed RPM	Output Torque In•lbs	Service Factor		Overhung Load lbs	SELECTION				Option Inverter Duty
		SF	AGMA Class		HP Symbol	Frame Size	Shaft Spec.	AGMA Class	
10.6	212	-	-	265	01	6060DA	Y	165	AV
	265	-	-	265	01	6065DA	Y	165	AV
	398	-	-	397	01	6070DA	Y	165	AV
	531	-	-	397	01	6075DA	Y	165	AV
	717	1.85	III	750	01	6090DA	Y C	165	AV
	717	2.47	III	750	01	6095DA	Y C	165	AV
8.97	212	-	-	265	01	6060DA	Y	195	AV
	265	-	-	265	01	6065DA	Y	195	AV
	398	-	-	397	01	6070DA	Y	195	AV
	531	-	-	397	01	6075DA	Y	195	AV
	848	1.57	II	750	01	6090DA	Y B	195	AV
	848	2.09	III	750	01	6095DA	Y C	195	AV
7.58	212	-	-	265	01	6060DA	Y	231	AV
	265	-	-	265	01	6065DA	Y	231	AV
	398	-	-	397	01	6070DA	Y	231	AV
	531	-	-	397	01	6075DA	Y	231	AV

Selection Tables

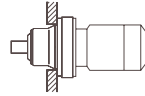
Housing Styles & Mounting Positions

Housing & Mounting

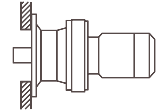
CHHM
(CNHM)



CHFHM
(CNFHM)



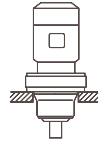
CHVM
(CNVM)



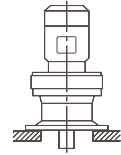
CVHM
(CNHM)



CVFHM
(CNFHM)



CVVM
(CNVM)



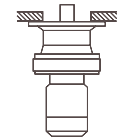
CWHM
(CNHM)



CWFHM
(CNFHM)

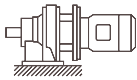


CWVM
(CNVM)

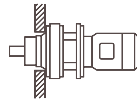


Input Side Hollow Shaft

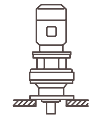
CHHXM
(CNHXM)



CHFHM
(CNFHM)

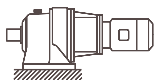


CVVXM
(CNVXM)

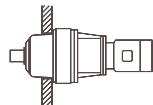


With Adaptor

CHHJM
(CNHJM)



CHFJM
(CNFJM)



CVVJM
(CNVJM)



Vertical Special Base Mount

C14VM



C15VM



C17VM

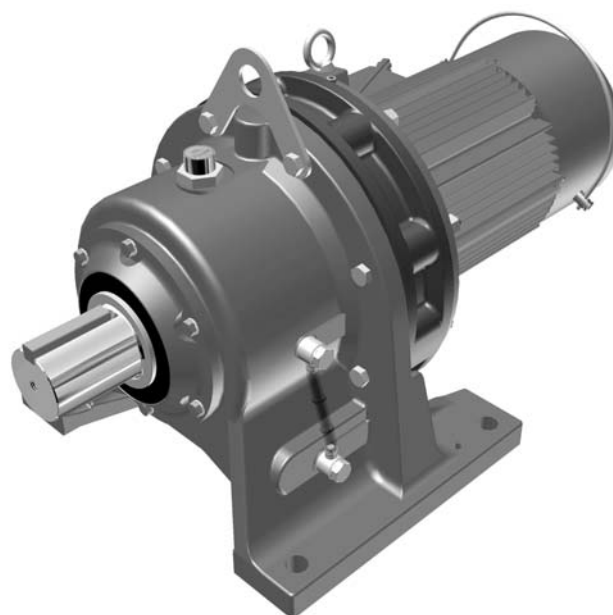


C18VM



3

Selection Tables

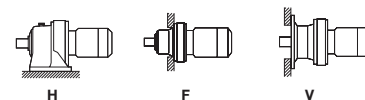


Gearmotors

Selection
Tables

Frame Size Selection Tables 60 Hz

1/8 HP 60 Hz, 1750 RPM



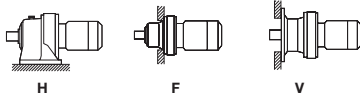
Output Speed	Output Torque	Service Factor		Overhung Load	SELECTION					Option
		SF	AGMA Class		HP Symbol	Frame Size	Shaft Spec.	AGMA Class	Ratio	
292	27.5	2.00	III	170	01	6060	Y	C	6	AV
219	36.7	2.00	III	194	01	6060	Y	C	8	AV
159	50.4	2.00	III	265	01	6060	Y	C	11	AV
135	59.6	2.00	III	265	01	6060	Y	C	13	AV
117	68.8	2.00	III	265	01	6060	Y	C	15	AV
103	78.0	2.00	III	265	01	6060	Y	C	17	AV
83.3	96.4	2.00	III	265	01	6060	Y	C	21	AV
70.0	115	1.10	I	265	01	6060	Y	A	25	AV
		1.66	III	265	01	6065	Y	C	25	AV
		2.30	III	397	01	6070	Y	C	25	AV
60.3	133	1.10	I	265	01	6060	Y	A	29	AV
		1.66	III	265	01	6065	Y	C	29	AV
		2.26	III	397	01	6070	Y	C	29	AV
50.0	160	1.10	I	265	01	6060	Y	A	35	AV
		1.43	II	265	01	6065	Y	B	35	AV
		2.11	III	397	01	6070	Y	C	35	AV
40.7	197	1.13	I	265	01	6065	Y	A	43	AV
		1.70	III	397	01	6070	Y	C	43	AV
		2.26	III	397	01	6075	Y	C	43	AV
34.3	234	1.00	I	397	01	6070	Y	A	51	AV
		1.43	II	397	01	6075	Y	B	51	AV
		1.92	III	575	01	6080	Y	C	51	AV
29.7	271	1.00	I	397	01	6070	Y	A	59	AV
		1.36	II	397	01	6075	Y	B	59	AV
		1.85	III	575	01	6080	Y	C	59	AV
24.6	326	1.20	I	575	01	6080	Y	A	71	AV
		1.87	III	575	01	6085	Y	C	71	AV
		2.52	III	750	01	6090	Y	C	71	-
20.1	399	1.21	I	575	01	6085	Y	A	87	AV
		2.11	III	750	01	6090	Y	C	87	-
16.8	212	-	-	265	01	6060DA	Y		104	AV
	265	-	-	265	01	6065DA	Y		104	AV
	398	-	-	397	01	6070DA	Y		104	AV
	452	1.17	I	397	01	6075DA	Y	A	104	AV
	452	2.94	III	750	01	6090DA	Y	C	104	-
14.7	546	1.25	I	750	01	6090	Y	A	119	-
	546	1.51	II	750	01	6095	Y	B	119	-
14.5	212	-	-	265	01	6060DA	Y		121	AV
	265	-	-	256	01	6065DA	Y		121	AV
	398	-	-	397	01	6070DA	Y		121	AV
	449	-	-	397	01	6075DA	Y		121	AV
	526	2.52	III	750	01	6090DA	Y	C	121	AV
12.2	212	-	-	265	01	6060DA	Y		143	AV
	265	-	-	265	01	6065DA	Y		143	AV
	398	-	-	397	01	6070DA	Y		143	AV
	531	-	-	397	01	6075DA	Y		143	AV
	621	2.14	III	750	01	6090DA	Y	C	143	AV

Dimensions Pages	
Foot Mount (H)	4.2–4.29
V-Flange (V)	4.30–4.43
F-Flange (F)	4.44–4.65

Gearmotors

Selection Tables

60 Hz Frame Size Selection Tables



1/8 HP
60 Hz, 1750 RPM

Dimensions Pages	
Foot Mount (H)	4.2–4.29
V-Flange (V)	4.30–4.43
F-Flange (F)	4.44–4.65

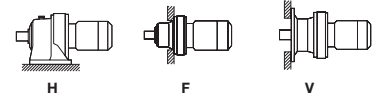
Output Speed RPM	Output Torque In•lbs	Service Factor		Overhung Load lbs	SELECTION					Option Inverter Duty
		SF	AGMA Class		HP Symbol	Frame Size	Shaft Spec.	AGMA Class	Ratio	
10.6	212	-	-	265	01	6060DA	Y		165	AV
	265	-	-	265	01	6065DA	Y		165	AV
	398	-	-	397	01	6070DA	Y		165	AV
	531	-	-	397	01	6075DA	Y		165	AV
	717	1.85	III	750	01	6090DA	Y	C	165	AV
	717	2.47	III	750	01	6095DA	Y	C	165	AV
8.97	212	-	-	265	01	6060DA	Y		195	AV
	265	-	-	265	01	6065DA	Y		195	AV
	398	-	-	397	01	6070DA	Y		195	AV
	531	-	-	397	01	6075DA	Y		195	AV
	848	1.57	II	750	01	6090DA	Y	B	195	AV
	848	2.09	III	750	01	6095DA	Y	C	195	AV
7.58	212	-	-	265	01	6060DA	Y		231	AV
	265	-	-	265	01	6065DA	Y		231	AV
	398	-	-	397	01	6070DA	Y		231	AV
	531	-	-	397	01	6075DA	Y		231	AV
	1000	1.32	II	750	01	6090DA	Y	B	231	AV
	1000	1.76	III	750	01	6095DA	Y	C	231	AV
6.41	212	-	-	265	01	6060DA	Y		273	AV
	265	-	-	265	01	6065DA	Y		273	AV
	398	-	-	397	01	6070DA	Y		273	AV
	531	-	-	397	01	6075DA	Y		273	AV
	1190	1.12	I	750	01	6090DA	Y	A	273	AV
	1190	1.49	II	750	01	6095DA	Y	B	273	AV
	1190	1.86	III	1210	01	6100DA	Y	C	273	AV
	1190	2.24	III	1210	01	6105DA	Y	C	273	AV
5.49	212	-	-	265	01	6060DA	Y		319	AV
	265	-	-	265	01	6065DA	Y		319	AV
	398	-	-	397	01	6070DA	Y		319	AV
	531	-	-	397	01	6075DA	Y		319	AV
	1330	-	-	739	01	6090DA	Y		319	AV
	1390	1.28	I	736	01	6095DA	Y	A	319	AV
	1390	1.59	II	1210	01	6100DA	Y	B	319	AV
	1390	1.91	III	1210	01	6105DA	Y	C	319	AV
	1390	3.32	III	2200	01	6120DB	Y	C	319	-
4.64	212	-	-	265	01	6060DA	Y		377	AV
	265	-	-	265	01	6065DA	Y		377	AV
	398	-	-	397	01	6070DA	Y		377	AV
	531	-	-	397	01	6075DA	Y		377	AV
	1330	-	-	739	01	6090DA	Y		377	AV
	1640	1.08	I	725	01	6095DA	Y	A	377	AV
	1640	1.35	II	1210	01	6100DA	Y	B	377	AV
	1640	1.62	III	1210	01	6105DA	Y	C	377	AV
	1640	2.81	III	2200	01	6120DB	Y	C	377	-

Gearmotors

Selection Tables

Frame Size Selection Tables 60 Hz

1/8 HP 60 Hz, 1750 RPM



Output Speed	Output Torque	Service Factor		Overhung Load	SELECTION					Option	
		RPM	In•lbs		SF	AGMA Class	lbs	HP Symbol	Frame Size		Shaft Spec.
3.70	212	-	-	265	01	6060DA	Y			473	AV
	265	-	-	265	01	6065DA	Y			473	AV
	398	-	-	397	01	6070DA	Y			473	AV
	531	-	-	373	01	6075DA	Y			473	AV
	1330	-	-	743	01	6090DA	Y			473	AV
	1770	-	-	723	01	6095DA	Y			473	AV
	2050	1.29	I	1210	01	6105DA	Y	A		473	AV
	2050	2.26	III	2200	01	6120DB	Y		C	473	-
3.13	212	-	-	265	01	6060DA	Y			559	AV
	265	-	-	265	01	6065DA	Y			559	AV
	398	-	-	397	01	6070DA	Y			559	AV
	531	-	-	373	01	6075DA	Y			559	AV
	1330	-	-	743	01	6090DA	Y			559	AV
	1770	-	-	723	01	6095DA	Y			559	AV
	2210	-	-	1210	01	6100DA	Y			559	AV
	2430	1.09	I	1210	01	6105DA	Y	A		559	AV
	2430	1.91	III	2200	01	6120DB	Y		C	559	-
	2430	2.29	III	2200	01	6125DB	Y		C	559	-
2.70	398	-	-	397	01	6070DA	Y			649	AV
	508	-	-	355	01	6075DA	Y			649	AV
	1290	-	-	741	01	6090DA	Y			649	AV
	2210	-	-	1210	01	6100DA	Y			649	AV
	2620	-	-	1140	01	6105DA	Y			649	AV
	2820	1.65	III	2200	01	6120DB	Y		C	649	-
	2820	1.98	III	2200	01	6125DB	Y		C	649	-
2.39	212	-	-	265	01	6060DA	Y			731	AV
	265	-	-	265	01	6065DA	Y			731	AV
	398	-	-	397	01	6070DA	Y			731	AV
	531	-	-	373	01	6075DA	Y			731	AV
	1330	-	-	743	01	6090DA	Y			731	AV
	1770	-	-	723	01	6095DA	Y			731	AV
	2210	-	-	1210	01	6100DA	Y			731	AV
	2650	-	-	1210	01	6105DA	Y			731	AV
	3180	1.46	II	2200	01	6120DB	Y		B	731	-
	3180	1.75	III	2200	01	6125DB	Y		C	731	-
2.08	212	-	-	265	01	6060DA	Y			841	AV
	265	-	-	265	01	6065DA	Y			841	AV
	398	-	-	397	01	6070DA	Y			841	AV
	531	-	-	397	01	6075DA	Y			841	AV
	1330	-	-	739	01	6090DA	Y			841	AV
	1770	-	-	718	01	6095DA	Y			841	AV
	2210	-	-	1210	01	6100DA	Y			841	AV
	2650	-	-	1210	01	6105DA	Y			841	AV
	3650	1.26	I	2200	01	6120DB	Y		A	841	-
	3650	1.53	II	2200	01	6125DB	Y		B	841	-

Dimensions Pages

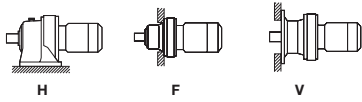
Foot Mount (H) 4.2–4.29

V-Flange (V) 4.30–4.43

F-Flange (F) 4.44–4.65

Gearmotors
Selection
Tables

60 Hz Frame Size Selection Tables



1/8 HP
60 Hz, 1750 RPM

Dimensions Pages	
Foot Mount (H)	4.2–4.29
V-Flange (V)	4.30–4.43
F-Flange (F)	4.44–4.65

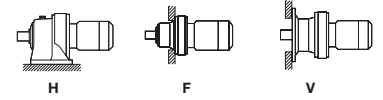
Output Speed RPM	Output Torque In•lbs	Service Factor		Overhung Load lbs	SELECTION					Option Inverter Duty
		SF	AGMA Class		HP Symbol	Frame Size	Shaft Spec.	AGMA Class	Ratio	
1.74	398	-	-	397	01	6070DA	Y		1003	AV
	508	-	-	355	01	6075DA	Y		1003	AV
	1290	-	-	741	01	6090DA	Y		1003	AV
	2210	-	-	1210	01	6100DA	Y		1003	AV
	2620	-	-	1140	01	6105DA	Y		1003	AV
	4360	1.28	I	2200	01	6125DB	Y	A	1003	-
1.40	212	-	-	265	01	6060DA	Y		1247	AV
	265	-	-	265	01	6065DA	Y		1247	AV
	398	-	-	397	01	6070DA	Y		1247	AV
	531	-	-	373	01	6075DA	Y		1247	AV
	1330	-	-	743	01	6090DA	Y		1247	AV
	1770	-	-	723	01	6095DA	Y		1247	AV
	2210	-	-	1210	01	6100DA	Y		1247	AV
	2650	-	-	1210	01	6105DA	Y		1247	AV
	4650	-	-	2200	01	6120DB	Y		1247	-
5410	1.03	I	2200	01	6125DB	Y	A	1247	-	
1.18	1330	-	-	743	01	6090DA	Y		1479	AV
	1710	-	-	727	01	6095DA	Y		1479	AV
	2210	-	-	1210	01	6100DA	Y		1479	AV
	2650	-	-	1070	01	6105DA	Y		1479	AV
	4650	-	-	2200	01	6120DB	Y		1479	-
5570	-	-	2150	01	6125DB	Y		1479	-	
0.946	212	-	-	265	01	6060DA	Y		1849	AV
	265	-	-	265	01	6065DA	Y		1849	AV
	398	-	-	397	01	6070DA	Y		1849	AV
	531	-	-	373	01	6075DA	Y		1849	AV
	1330	-	-	743	01	6090DA	Y		1849	AV
	1770	-	-	723	01	6095DA	Y		1849	AV
	2210	-	-	1210	01	6100DA	Y		1849	AV
	2650	-	-	1210	01	6105DA	Y		1849	AV
	4650	-	-	2200	01	6120DB	Y		1849	-
5570	-	-	2200	01	6125DB	Y		1849	-	
0.847	398	-	-	397	01	6070DA	Y		2065	AV
	508	-	-	355	01	6075DA	Y		2065	AV
	1290	-	-	741	01	6090DA	Y		2065	AV
	2210	-	-	1210	01	6100DA	Y		2065	AV
	2620	-	-	1140	01	6105DA	Y		2065	AV
	4650	-	-	2200	01	6120DB	Y		2065	-
5570	-	-	2200	01	6125DB	Y		2065	-	
0.690	398	-	-	397	01	6070DA	Y		2537	AV
	508	-	-	355	01	6075DA	Y		2537	AV
	1290	-	-	741	01	6090DA	Y		2537	AV
	2210	-	-	1210	01	6100DA	Y		2537	AV
	2620	-	-	1140	01	6105DA	Y		2537	AV
	4650	-	-	2200	01	6120DB	Y		2537	-
5570	-	-	2200	01	6125DB	Y		2537	-	

Gearmotors

Selection Tables

Frame Size Selection Tables 60 Hz

1/8 HP 60 Hz, 1750 RPM



Output Speed RPM	Output Torque In•lbs	Service Factor		Overhung Load lbs	SELECTION					Option Inverter Duty
		SF	AGMA Class		HP Symbol	Frame Size	Shaft Spec.	AGMA Class	Ratio	
0.575	1330	-	-	743	01	6090DA	Y		3045	AV
	1700	-	-	727	01	6095DA	Y		3045	AV
	2210	-	-	1210	01	6100DA	Y		3045	AV
	2650	-	-	1070	01	6105DA	Y		3045	AV
	4650	-	-	2200	01	6120DB	Y		3045	-
	5570	-	-	2150	01	6125DB	Y		3045	-
0.503	1290	-	-	741	01	6090DA	Y		3481	AV
	2210	-	-	1210	01	6100DA	Y		3481	AV
	2620	-	-	1140	01	6105DA	Y		3481	AV
	4650	-	-	2200	01	6120DB	Y		3481	-
	5570	-	-	2200	01	6125DB	Y		3481	-
0.394	1330	-	-	743	01	6090DA	Y		4437	AV
	1700	-	-	727	01	6095DA	Y		4437	AV
	2210	-	-	1210	01	6100DA	Y		4437	AV
	2650	-	-	1070	01	6105DA	Y		4437	AV
	4650	-	-	2200	01	6120DB	Y		4437	-
	5570	-	-	2150	01	6125DB	Y		4437	-
0.341	1330	-	-	743	01	6090DA	Y		5133	AV
	1700	-	-	727	01	6095DA	Y		5133	AV
	2210	-	-	1210	01	6100DA	Y		5133	AV
	2650	-	-	1070	01	6105DA	Y		5133	AV
	4650	-	-	2200	01	6120DB	Y		5133	-
	5570	-	-	2150	01	6125DB	Y		5133	-
0.283	4650	-	-	2200	01	6120DB	Y		6177	-
	5570	-	-	2150	01	6125DB	Y		6177	-
0.231	4650	-	-	2200	01	6120DB	Y		7569	-
	5570	-	-	2150	01	6125DB	Y		7569	-

Dimensions Pages

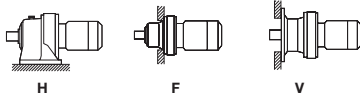
Foot Mount (H)	4.2-4.29
V-Flange (V)	4.30-4.43
F-Flange (F)	4.44-4.65

Gearmotors
Selection
Tables

1/4 HP 60 Hz, 1750 RPM

Output Speed RPM	Output Torque In•lbs	Service Factor		Overhung Load lbs	SELECTION					Option Inverter Duty
		SF	AGMA Class		HP Symbol	Frame Size	Shaft Spec.	AGMA Class	Ratio	
292	55.0	1.00	I	169	02	6060	Y	A	6	AV
		1.43	II	169	02	6065	Y	B	6	AV
		1.74	III	294	02	6070	Y	C	6	AV
		2.04	III	294	02	6075	Y	C	6	AV
219	73.3	1.00	I	193	02	6060	Y	A	8	AV
		1.43	II	193	02	6065	Y	B	8	AV
		1.74	III	326	02	6070	Y	C	8	AV
		2.04	III	326	02	6075	Y	C	8	AV
159	101	1.00	I	263	02	6060	Y	A	11	AV
		1.43	II	263	02	6065	Y	B	11	AV
		1.74	III	366	02	6070	Y	C	11	AV
		2.04	III	366	02	6075	Y	C	11	AV

60 Hz Frame Size Selection Tables



1/4 HP
60 Hz, 1750 RPM

Dimensions Pages

Foot Mount (H) 4.2–4.29

V-Flange (V) 4.30–4.43

F-Flange (F) 4.44–4.65

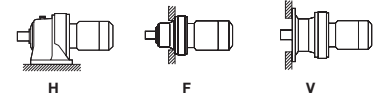
Output Speed RPM	Output Torque In•lbs	Service Factor		Overhung Load lbs	SELECTION					Option Inverter Duty
		SF	AGMA Class		HP Symbol	Frame Size	Shaft Spec.	AGMA Class	Ratio	
135	119	1.00	I	265	02	6060	Y	A	13	AV
		1.43	II	265	02	6065	Y	B	13	AV
		1.74	III	386	02	6070	Y	C	13	AV
		2.04	III	386	02	6075	Y	C	13	AV
117	138	1.00	I	265	02	6060	Y	A	15	AV
		1.43	II	265	02	6065	Y	B	15	AV
		1.74	III	388	02	6070	Y	C	15	AV
		2.04	III	388	02	6075	Y	C	15	AV
103	156	1.00	I	265	02	6060	Y	A	17	AV
		1.43	II	265	02	6065	Y	B	17	AV
		1.74	III	397	02	6070	Y	C	17	AV
		2.04	III	397	02	6075	Y	C	17	AV
83.3	193	1.17	I	265	02	6065	Y	A	21	AV
		1.60	III	397	02	6070	Y	C	21	AV
		2.04	III	397	02	6075	Y	C	21	AV
70.0	229	0.83	-	265	02	6065	Y		25	AV
		1.15	I	397	02	6070	Y	A	25	AV
		1.47	II	397	02	6075	Y	B	25	AV
		1.70	III	573	02	6080	Y	C	25	AV
		2.38	III	573	02	6085	Y	C	25	AV
60.3	266	0.83	-	265	02	6065	Y		29	AV
		1.13	I	397	02	6070	Y	A	29	AV
		1.43	II	397	02	6075	Y	B	29	AV
		1.70	III	575	02	6080	Y	C	29	AV
		2.34	III	575	02	6085	Y	C	29	AV
50.0	321	1.06	I	397	02	6070	Y	A	35	AV
		1.40	II	397	02	6075	Y	B	35	AV
		1.64	III	575	02	6080	Y	C	35	AV
		1.86	III	575	02	6085	Y	C	35	AV
		3.06	III	750	02	6090	Y	C	35	AV
40.7	395	1.13	I	397	02	6075	Y	A	43	AV
		1.47	II	575	02	6085	Y	B	43	AV
		2.18	III	750	02	6090	Y	C	43	AV
34.3	468	1.21	I	575	02	6085	Y	A	51	AV
		1.66	III	750	02	6090	Y	C	51	AV
		2.11	III	750	02	6095	Y	C	51	AV
29.7	541	1.17	I	575	02	6085	Y	A	59	AV
		1.55	II	750	02	6090	Y	B	59	AV
		1.87	III	750	02	6095	Y	C	59	AV
		2.58	III	1210	02	6100	Y	C	59	AV
24.6	651	0.94	-	564	02	6085	Y		71	AV
		1.26	I	750	02	6090	Y	A	71	AV
		1.51	II	750	02	6095	Y	B	71	AV
		2.18	III	1210	02	6100	Y	C	71	AV
20.1	798	1.06	I	750	02	6090	Y	A	87	AV
		1.51	II	750	02	6095	Y	B	87	AV
		2.17	III	1210	02	6100	Y	C	87	AV

Gearmotors

Selection
Tables

Frame Size Selection Tables 60 Hz

1/4 HP 60 Hz, 1750 RPM

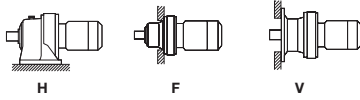


Output Speed	Output Torque	Service Factor		Overhung Load	SELECTION					Option	
		RPM	In•lbs		SF	AGMA Class	lbs	HP Symbol	Frame Size		Shaft Spec.
16.8	531	-	-	397	02	6075DA	Y			104	AV
	902	1.47	II	750	02	6090DA	Y	B		104	AV
	902	1.77	III	750	02	6095DA	Y	C		104	AV
	902	2.15	III	1210	02	6100DA	Y	C		104	AV
14.7	1090	1.05	I	1210	02	6100	Y	A		119	AV
		1.43	II	1210	02	6105	Y	B		119	AV
14.5	1050	1.26	I	750	02	6090DA	Y	A		121	AV
		1.35	II	750	02	6095DA	Y	B		121	AV
		2.10	III	1210	02	6100DA	Y	C		121	AV
		2.15	III	1210	02	6105DA	Y	C		121	AV
12.2	1240	1.07	I	750	02	6090DA	Y	A		143	AV
		1.30	II	750	02	6095DA	Y	B		143	AV
		1.78	III	1210	02	6100DA	Y	C		143	AV
		2.14	III	1210	02	6105DA	Y	C		143	AV
10.6	1330	-	-	750	02	6090DA	Y			165	AV
	1430	1.23	I	750	02	6095DA	Y	A		165	AV
	1430	1.54	II	1210	02	6100DA	Y	B		165	AV
	1430	1.85	III	1210	02	6105DA	Y	C		165	AV
	1430	3.24	III	2200	02	6120DB	Y	C		165	AV
8.97	1330	-	-	750	02	6090DA	Y			195	AV
	1700	1.04	I	750	02	6095DA	Y	A		195	AV
	1700	1.31	II	1210	02	6100DA	Y	B		195	AV
	1700	1.57	II	1210	02	6105DA	Y	B		195	AV
	1700	2.74	III	2200	02	6120DB	Y	C		195	AV
7.58	1330	-	-	750	02	6090DA	Y			231	AV
	1770	-	-	750	02	6095DA	Y			231	AV
	2010	1.10	I	1210	02	6100DA	Y	A		231	AV
	2010	1.32	II	1210	02	6105DA	Y	B		231	AV
	2010	2.31	III	2200	02	6120DB	Y	C		231	AV
6.41	1330	-	-	750	02	6090DA	Y			273	AV
	1770	-	-	750	02	6095DA	Y			273	AV
	2210	-	-	1210	02	6100DA	Y			273	AV
	2370	1.12	I	1210	02	6105DA	Y	A		273	AV
	2370	1.95	III	2200	02	6120DB	Y	C		273	AV
5.49	1770	-	-	718	02	6095DA	Y			319	AV
	2210	-	-	1210	02	6100DA	Y			319	AV
	2650	-	-	1210	02	6105DA	Y			319	AV
	2770	1.66	III	2200	02	6120DB	Y	C		319	AV
	2770	2.01	III	2200	02	6125DB	Y	C		319	AV
	2770	2.49	III	3300	02	6130DC	Y	C		319	-
4.64	1770	-	-	718	02	6095DA	Y			377	AV
	2210	-	-	1210	02	6100DA	Y			377	AV
	2650	-	-	1210	02	6105DA	Y			377	AV
	3270	1.40	II	2200	02	6120DB	Y	B		377	AV
	3270	1.70	III	2200	02	6125DB	Y	C		377	AV
3270	2.11	III	3300	02	6130DC	Y	C		377	-	

Dimensions Pages	
Foot Mount (H)	4.2-4.29
V-Flange (V)	4.30-4.43
F-Flange (F)	4.44-4.65

Gearmotors
Selection Tables

60 Hz Frame Size Selection Tables



1/4 HP
60 Hz, 1750 RPM

Dimensions Pages	
Foot Mount (H)	4.2–4.29
V-Flange (V)	4.30–4.43
F-Flange (F)	4.44–4.65

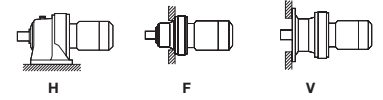
Output Speed RPM	Output Torque In•lbs	Service Factor		Overhung Load lbs	SELECTION					Option Inverter Duty
		SF	AGMA Class		HP Symbol	Frame Size	Shaft Spec.	AGMA Class	Ratio	
3.70	2210	-	-	1210	02	6100DA	Y		473	AV
	2650	-	-	1210	02	6105DA	Y		473	AV
	4110	1.13	I	2200	02	6120DB	Y	A	473	AV
	4110	1.36	II	2200	02	6125DB	Y	B	473	AV
	4110	1.68	III	3300	02	6130DC	Y	C	473	-
	4110	2.02	III	3300	02	6135DC	Y	C	473	-
	4110	2.65	III	3590	02	6140DB	Y	C	473	AV
3.13	2650	-	-	1210	02	6105DA	Y		559	AV
	4650	-	-	2200	02	6120DB	Y		559	AV
	4860	1.15	I	2200	02	6125DB	Y	A	559	AV
	4860	1.42	II	3300	02	6130DC	Y	B	559	-
	4860	1.71	III	3300	02	6135DC	Y	C	559	-
	4860	2.24	III	3590	02	6140DB	Y	C	559	AV
2.70	4650	-	-	2200	02	6120DB	Y		649	AV
	5650	0.98	-	2200	02	6125DB	Y		649	AV
	5650	1.43	II	3300	02	6130DC	Y	B	649	-
	5650	1.65	III	3300	02	6135DC	Y	C	649	-
	5650	2.15	III	3590	02	6145DB	Y	C	649	AV
2.39	4650	-	-	2200	02	6120DB	Y		731	AV
	5570	-	-	2200	02	6125DB	Y		731	AV
	6350	1.09	I	3300	02	6130DC	Y	A	731	-
	6350	1.31	II	3300	02	6135DC	Y	B	731	-
	6350	1.91	III	3590	02	6145DB	Y	C	731	AV
2.08	4600	-	-	2200	02	6120DB	Y		841	AV
	5570	-	-	2200	02	6125DB	Y		841	AV
	6900	-	-	3300	02	6130DC	Y		841	AV
	7310	1.14	I	3300	02	6135DC	Y	A	841	AV
	7310	1.48	II	3590	02	6140DB	Y	B	841	AV
	7310	1.66	III	3590	02	6145DB	Y	C	841	AV
1.74	4650	-	-	2200	02	6120DB	Y		1003	AV
	5570	-	-	2200	02	6125DB	Y		1003	AV
	8070	-	-	3300	02	6130DC	Y		1003	-
	8720	1.07	I	3300	02	6135DC	Y	A	1003	-
	8720	1.39	II	3590	02	6145DB	Y	B	1003	AV
1.40	5570	-	-	2200	02	6125DB	Y		1247	AV
	6900	-	-	3300	02	6130DC	Y		1247	AV
	8320	-	-	3300	02	6135DC	Y		1247	AV
	10900	1.00	I	3590	02	6140DB	Y	A	1247	AV
	10900	1.12	I	3590	02	6145DB	Y	A	1247	AV
1.18	7500	-	-	3300	02	6130DC	Y		1479	-
	8660	-	-	3300	02	6135DC	Y		1479	-
	10900	-	-	3590	02	6140DB	Y		1479	AV
	11100	-	-	3590	02	6145DB	Y		1479	AV
0.946	6900	-	-	3300	02	6130DC	Y		1849	AV
	8320	-	-	3300	02	6135DC	Y		1849	AV
	10900	-	-	3590	02	6140DB	Y		1849	AV
	12100	-	-	3530	02	6145DB	Y		1849	AV

Gearmotors

Selection Tables

Frame Size Selection Tables 60 Hz

1/4 HP 60 Hz, 1750 RPM



Output Speed RPM	Output Torque In•lbs	Service Factor		Overhung Load lbs	SELECTION					Option Inverter Duty
		SF	AGMA Class		HP Symbol	Frame Size	Shaft Spec.	AGMA Class	Ratio	
0.847	8070	-	-	3300	02	6130DC	Y		2065	AV
	9290	-	-	3300	02	6135DC	Y		2065	AV
	10900	-	-	3590	02	6140DB	Y		2065	AV
	12100	-	-	3590	02	6145DB	Y		2065	AV
0.690	8070	-	-	3300	02	6130DC	Y		2537	AV
	9290	-	-	3300	02	6135DC	Y		2537	AV
	10900	-	-	3590	02	6140DB	Y		2537	AV
	12100	-	-	3590	02	6145DB	Y		2537	AV
0.575	7500	-	-	3300	02	6130DC	Y		3045	AV
	8660	-	-	3300	02	6135DC	Y		3045	AV
	10900	-	-	3590	02	6140DB	Y		3045	AV
	11100	-	-	3590	02	6145DB	Y		3045	AV
0.503	8070	-	-	3300	02	6130DC	Y		3481	AV
	9290	-	-	3300	02	6135DC	Y		3481	AV
	10900	-	-	3590	02	6140DB	Y		3481	AV
	12100	-	-	3590	02	6145DB	Y		3481	AV
0.394	7500	-	-	3300	02	6130DC	Y		4437	AV
	8660	-	-	3300	02	6135DC	Y		4437	AV
	10900	-	-	3590	02	6140DB	Y		4437	AV
	11100	-	-	3590	02	6145DB	Y		4437	AV
0.341	7500	-	-	3300	02	6130DC	Y		5133	AV
	8660	-	-	3300	02	6135DC	Y		5133	AV
	10900	-	-	3590	02	6140DB	Y		5133	AV
	11100	-	-	3590	02	6145DB	Y		5133	AV
0.283	7500	-	-	3300	02	6130DC	Y		6177	AV
	8660	-	-	3300	02	6135DC	Y		6177	AV
	10900	-	-	3590	02	6140DB	Y		6177	AV
	11100	-	-	3590	02	6145DB	Y		6177	AV
0.231	7500	-	-	3300	02	6130DC	Y		7569	AV
	8660	-	-	3300	02	6135DC	Y		7569	AV
	10900	-	-	3590	02	6140DB	Y		7569	AV
	11100	-	-	3590	02	6145DB	Y		7569	AV

Dimensions Pages

Foot Mount (H) 4.2–4.29

V-Flange (V) 4.30–4.43

F-Flange (F) 4.44–4.65

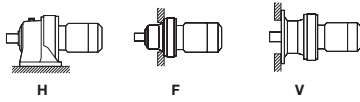
Gearmotors

Selection Tables

1/3 HP 60 Hz, 1750 RPM

Output Speed RPM	Output Torque In•lbs	Service Factor		Overhung Load lbs	SELECTION					Option Inverter Duty
		SF	AGMA Class		HP Symbol	Frame Size	Shaft Spec.	AGMA Class	Ratio	
292	68.8	1.14	I	168	03	6065	Y	A	6	AV
		1.39	II	294	03	6070	Y	B	6	AV
		1.63	III	294	03	6075	Y	C	6	AV
		2.37	III	406	03	6080	Y	C	6	AV
219	92.0	1.14	I	192	03	6065	Y	A	8	AV
		1.39	II	326	03	6070	Y	B	8	AV
		1.63	III	326	03	6075	Y	C	8	AV
		2.37	III	442	03	6080	Y	C	8	AV

60 Hz Frame Size Selection Tables



1/3 HP
60 Hz, 1750 RPM

Dimensions Pages	
Foot Mount (H)	4.2–4.29
V-Flange (V)	4.30–4.43
F-Flange (F)	4.44–4.65

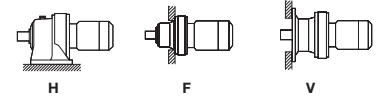
Output Speed RPM	Output Torque In•lbs	Service Factor		Overhung Load lbs	SELECTION					Option Inverter Duty
		SF	AGMA Class		HP Symbol	Frame Size	Shaft Spec.	AGMA Class	Ratio	
159	127	1.14	I	260	03	6065	Y	A	11	AV
		1.39	II	364	03	6070	Y	B	11	AV
		1.63	III	364	03	6075	Y	C	11	AV
		2.37	III	489	03	6080	Y	C	11	AV
135	149	1.14	I	265	03	6065	Y	A	13	AV
		1.39	II	384	03	6070	Y	B	13	AV
		1.63	III	384	03	6075	Y	C	13	AV
		2.37	III	525	03	6080	Y	C	13	AV
117	172	1.14	I	265	03	6065	Y	A	15	AV
		1.39	II	386	03	6070	Y	B	15	AV
		1.63	III	386	03	6075	Y	C	15	AV
		2.37	III	543	03	6080	Y	C	15	AV
103	195	1.14	I	265	03	6065	Y	A	17	AV
		1.39	II	397	03	6070	Y	B	17	AV
		1.63	III	397	03	6075	Y	C	17	AV
		2.37	III	570	03	6080	Y	C	17	AV
83.3	241	0.94	-	265	03	6065	Y		21	AV
		1.28	I	397	03	6070	Y	A	21	AV
		1.63	III	397	03	6075	Y	C	21	AV
		1.91	III	555	03	6080	Y	C	21	AV
70.0	287	1.18	I	397	03	6075	Y	A	25	AV
		1.36	II	570	03	6080	Y	B	25	AV
		1.90	III	570	03	6085	Y	C	25	AV
60.3	333	1.14	I	397	03	6075	Y	A	29	AV
		1.36	II	575	03	6080	Y	B	29	AV
		1.87	III	575	03	6085	Y	C	29	AV
50.0	402	1.12	I	397	03	6075	Y	A	35	AV
		1.31	II	575	03	6080	Y	B	35	AV
		1.48	II	575	03	6085	Y	B	35	AV
		2.45	III	750	03	6090	Y	C	35	AV
40.7	493	0.90	-	391	03	6075	Y		43	AV
		1.18	I	575	03	6085	Y	A	43	AV
		1.74	III	750	03	6090	Y	C	43	AV
		2.41	III	750	03	6095	Y	C	43	AV
34.3	585	0.96	-	575	03	6085	Y		51	AV
		1.33	II	750	03	6090	Y	B	51	AV
		1.69	III	750	03	6095	Y	C	51	AV
		2.24	III	1210	03	6100	Y	C	51	AV
29.7	677	0.94	-	570	03	6085	Y		59	AV
		1.24	I	750	03	6090	Y	A	59	AV
		1.49	II	750	03	6095	Y	B	59	AV
		2.06	III	1210	03	6100	Y	C	59	AV
24.6	814	1.20	I	750	03	6095	Y	A	71	AV
		1.74	III	1210	03	6100	Y	C	71	AV
		2.24	III	1210	03	6105	Y	C	71	AV
20.1	1000	1.20	I	750	03	6095	Y	A	87	AV
		1.73	III	1210	03	6100	Y	C	87	AV
		2.26	III	1210	03	6105	Y	C	87	AV

Gearmotors

Selection Tables

Frame Size Selection Tables 60 Hz

1/3 HP 60 Hz, 1750 RPM



Output Speed	Output Torque	Service Factor		Overhung Load	SELECTION					Option
		SF	AGMA Class		HP Symbol	Frame Size	Shaft Spec.	AGMA Class	Ratio	
16.8	1130	1.17	I	750	03	6090DA	Y	A	104	AV
		1.42	II	750	03	6095DA	Y	B	104	AV
		1.72	III	1210	03	6105DA	Y	C	104	AV
		4.11	III	2200	03	6120DB	Y	C	104	AV
14.7	1360	1.14	I	1210	03	6105	Y	A	119	AV
14.5	1320	1.08	I	750	03	6095DA	Y	A	121	AV
		1.68	III	1210	03	6100DA	Y	C	121	AV
		1.72	III	1210	03	6105DA	Y	C	121	AV
		3.53	III	2200	03	6120DB	Y	C	121	AV
12.2	1330	-	-	750	03	6090DA	Y		143	AV
	1560	1.04	I	750	03	6095DA	Y	A	143	AV
	1560	1.42	II	1210	03	6100DA	Y	B	143	AV
	1560	1.71	III	1210	03	6105DA	Y	C	143	AV
	1560	2.99	III	2200	03	6120DB	Y	C	143	AV
10.6	1800	0.98	-	750	03	6095DA	Y		165	AV
		1.23	I	1210	03	6100DA	Y	A	165	AV
		1.48	II	1210	03	6105DA	Y	B	165	AV
		2.59	III	2200	03	6120DB	Y	C	165	AV
8.97	1770	-	-	750	03	6095DA	Y		195	AV
	2110	1.25	I	1210	03	6105DA	Y	A	195	AV
	2110	2.19	III	2200	03	6120DB	Y	C	195	AV
7.58	2210	-	-	1210	03	6100DA	Y		231	AV
	2510	1.06	I	1210	03	6105DA	Y	A	231	AV
	2510	1.84	III	2200	03	6120DB	Y	C	231	AV
	2510	2.22	III	2200	03	6125DB	Y	C	231	AV
6.41	2650	-	-	1210	03	6105DA	Y		273	AV
	2960	1.56	II	2200	03	6120DB	Y	B	273	AV
	2960	1.88	III	2200	03	6125DB	Y	C	273	AV
	2960	2.33	III	3300	03	6130DC	Y	C	273	-
5.49	2650	-	-	1210	03	6105DA	Y	C	319	AV
	3470	1.33	II	2200	03	6120DB	Y	B	319	AV
	3470	1.61	III	2200	03	6125DB	Y	C	319	AV
	3470	1.99	III	3300	03	6130DC	Y	C	319	-
	3470	2.40	III	3300	03	6135DC	Y	C	319	-
4.64	4100	1.12	I	2200	03	6120DB	Y	A	377	AV
		1.36	II	2200	03	6125DB	Y	B	377	AV
		1.69	III	3300	03	6130DC	Y	C	377	-
		2.03	III	3300	03	6135DC	Y	C	377	-
		2.66	III	3590	03	6140DB	Y	C	377	AV
3.70	4650	-	-	2200	03	6120DB	Y		473	AV
	5140	1.08	I	2200	03	6125DB	Y	A	473	AV
	5140	1.34	II	3300	03	6130DC	Y	B	473	-
	5140	1.62	III	3300	03	6135DC	Y	C	473	-
	5140	2.11	III	3590	03	6140DB	Y	C	473	AV
3.13	5570	-	-	2200	03	6125DB	Y		559	AV
	6070	1.14	I	3300	03	6130DC	Y	A	559	-
	6070	1.37	II	3300	03	6135DC	Y	B	559	-
	6070	1.79	III	3590	03	6140DB	Y	C	559	AV
	6070	2.00	III	3590	03	6145DB	Y	C	559	AV

Dimensions Pages

Foot Mount (H) 4.2-4.29

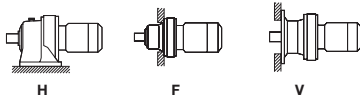
V-Flange (V) 4.30-4.43

F-Flange (F) 4.44-4.65

Gearmotors

Selection Tables

60 Hz Frame Size Selection Tables



1/3 HP 60 Hz, 1750 RPM

Dimensions Pages	
Foot Mount (H)	4.2–4.29
V-Flange (V)	4.30–4.43
F-Flange (F)	4.44–4.65

Output Speed RPM	Output Torque In•lbs	Service Factor		Overhung Load lbs	SELECTION					Option Inverter Duty
		SF	AGMA Class		HP Symbol	Frame Size	Shaft Spec.	AGMA Class	Ratio	
2.70	7050	1.14	I	3300	03	6130DC	Y	A	649	-
		1.32	II	3300	03	6135DC	Y	B	649	-
		1.72	III	3590	03	6145DB	Y	C	649	AV
2.39	6900	-	-	3300	03	6130DC	Y		731	-
	7950	1.05	I	3300	03	6135DC	Y	A	731	-
	7950	1.53	II	3590	03	6145DB	Y	B	731	AV
2.08	8320	-	-	3300	03	6135DC	Y		841	AV
	9110	1.21	I	3590	03	6145DB	Y	A	841	AV
1.74	9290	-	-	3300	03	6135DC	Y		1003	-
	10900	1.00	I	3590	03	6140DB	Y	A	1003	AV
	10900	1.11	I	3590	03	6145DB	Y	A	1003	AV
1.40	12100	-	-	3530	03	6145DB	Y		1247	AV

1/2 HP 60 Hz, 1750 RPM

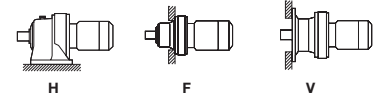
Output Speed RPM	Output Torque In•lbs	Service Factor		Overhung Load lbs	SELECTION					Option Inverter Duty
		SF	AGMA Class		HP Symbol	Frame Size	Shaft Spec.	AGMA Class	Ratio	
292	110	1.02	I	290	05	6075	Y	A	6	-
		1.48	II	406	05	6080	Y	B	6	AV
		1.95	III	406	05	6085	Y	C	6	AV
219	147	1.02	I	321	05	6075	Y	A	8	-
		1.48	II	440	05	6080	Y	B	8	AV
		1.95	III	440	05	6085	Y	C	8	AV
159	202	1.02	I	357	05	6075	Y	A	11	-
		1.48	II	485	05	6080	Y	B	11	AV
		1.95	III	485	05	6085	Y	C	11	AV
135	239	1.02	I	377	05	6075	Y	A	13	-
		1.48	II	521	05	6080	Y	B	13	AV
		1.95	III	521	05	6085	Y	C	13	AV
117	275	1.02	I	377	05	6075	Y	A	15	-
		1.48	II	539	05	6080	Y	B	15	AV
		1.95	III	539	05	6085	Y	C	15	AV
103	312	1.02	I	397	05	6075	Y	A	17	-
		1.48	II	564	05	6080	Y	B	17	AV
		1.95	III	564	05	6085	Y	C	17	AV
83.3	385	1.02	I	397	05	6075	Y	A	21	-
		1.38	II	550	05	6085	Y	B	21	AV
		1.90	III	750	05	6090	Y	C	21	AV
70.0	458	1.19	I	566	05	6085	Y	A	25	AV
		1.68	III	750	05	6090	Y	C	25	AV
		2.17	III	750	05	6095	Y	C	25	AV
60.3	532	1.17	I	575	05	6085	Y	A	29	AV
		1.56	II	750	05	6090	Y	B	29	AV
		1.96	III	750	05	6095	Y	C	29	AV

Gearmotors

Selection Tables

Frame Size Selection Tables 60 Hz

1/2 HP 60 Hz, 1750 RPM



Output Speed RPM	Output Torque In•lbs	Service Factor		Overhung Load lbs	SELECTION					Option Inverter Duty
		SF	AGMA Class		HP Symbol	Frame Size	Shaft Spec.	AGMA Class	Ratio	
50.0	642	0.93	-	575	05	6085	Y		35	AV
		1.53	II	750	05	6090	Y	B	35	AV
		1.90	III	750	05	6095	Y	C	35	AV
40.7	789	1.09	I	750	05	6090	Y	A	43	AV
		1.51	II	750	05	6095	Y	B	43	AV
		1.95	III	1210	05	6100	Y	C	43	AV
34.3	938	1.06	I	750	05	6095	Y	A	51	AV
		1.40	II	1210	05	6100	Y	B	51	AV
		1.94	III	1210	05	6105	Y	C	51	AV
29.7	1080	1.00	I	750	05	6095	Y	A	59	AV
		1.29	I	1210	05	6100	Y	A	59	AV
		1.77	III	1210	05	6105	Y	C	59	AV
		2.15	III	1710	05	6110	Y	C	59	AV
24.6	1300	1.09	I	1210	05	6100	Y	A	71	AV
		1.40	II	1210	05	6105	Y	B	71	AV
		1.67	III	1710	05	6110	Y	C	71	AV
		1.90	III	1710	05	6115	Y	C	71	AV
20.1	1590	1.08	I	1210	05	6100	Y	A	87	AV
		1.41	II	1210	05	6105	Y	B	87	AV
		1.65	III	1710	05	6110	Y	C	87	AV
		1.90	III	1710	05	6115	Y	C	87	AV
16.8	1330	-	-	750	05	6090DA	Y		104	-
	1600	-	-	750	05	6095DA	Y		104	-
	1800	1.07	I	1210	05	6105DA	Y	A	104	-
	1800	2.57	III	2200	05	6120DB	Y	C	104	AV
14.5	1330	-	-	750	05	6090DA	Y		121	-
	1420	-	-	750	05	6095DA	Y		121	-
	2110	1.07	I	1210	05	6105DA	Y	A	121	-
	2110	2.21	III	2200	05	6120DB	Y	C	121	AV
12.2	1620	-	-	750	05	6095DA	Y		143	-
	2210	-	-	1210	05	6100DA	Y		143	-
	2490	1.07	I	1210	05	6105DA	Y	A	143	-
	2490	1.87	III	2200	05	6120DB	Y	C	143	AV
10.6	2490	2.24	III	2200	05	6125DB	Y	C	143	AV
	2210	-	-	1210	05	6100DA	Y		165	-
	2650	-	-	1210	05	6105DA	Y		165	-
	2870	1.62	III	2200	05	6120DB	Y	C	165	AV
8.97	2870	1.94	III	2200	05	6125DB	Y	C	165	AV
	2870	2.41	III	3300	05	6130DC	Y	C	165	-
	2210	-	-	1210	05	6100DA	Y		195	-
	2650	-	-	1210	05	6105DA	Y		195	-
	3390	1.37	II	2200	05	6120DB	Y	B	195	AV
8.97	3390	1.64	III	2200	05	6125DB	Y	C	195	AV
	3390	2.04	III	3300	05	6130DC	Y	C	195	-
	3390	2.45	III	3300	05	6135DC	Y	C	195	-

Dimensions Pages

Foot Mount (H) 4.2-4.29

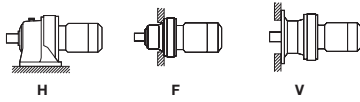
V-Flange (V) 4.30-4.43

F-Flange (F) 4.44-4.65

Gearmotors

Selection Tables

60 Hz Frame Size Selection Tables



1/2 HP
60 Hz, 1750 RPM

Dimensions Pages	
Foot Mount (H)	4.2–4.29
V-Flange (V)	4.30–4.43
F-Flange (F)	4.44–4.65

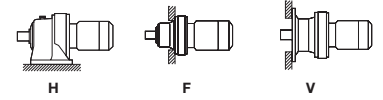
Output Speed RPM	Output Torque In•lbs	Service Factor		Overhung Load lbs	SELECTION					Option Inverter Duty
		SF	AGMA Class		HP Symbol	Frame Size	Shaft Spec.	AGMA Class	Ratio	
7.58	2650	-	-	1210	05	6105DA	Y		231	-
	4020	1.15	I	2200	05	6120DB	Y	A	231	AV
	4020	1.39	II	2200	05	6125DB	Y	B	231	AV
	4020	1.72	III	3300	05	6130DC	Y	C	231	-
	4020	2.07	III	3300	05	6135DC	Y	C	231	-
	4020	2.70	III	3590	05	6140DB	Y	C	231	AV
6.41	4620	-	-	2200	05	6120DB	Y		273	AV
	4740	1.18	I	2200	05	6125DB	Y	A	273	AV
	4740	1.46	II	3300	05	6130DC	Y	B	273	-
	4740	1.75	III	3300	05	6135DC	Y	C	273	-
	4740	2.28	III	3590	05	6140DB	Y	C	273	AV
5.49	4600	-	-	2200	05	6120DB	Y		319	AV
	5550	1.00	I	2200	05	6125DB	Y	A	319	AV
	5550	1.24	I	3300	05	6130DC	Y	A	319	-
	5550	1.50	II	3300	05	6135DC	Y	B	319	-
	5550	1.95	III	3590	05	6140DB	Y	C	319	AV
	5550	2.19	III	3590	05	6145DB	Y	C	319	AV
4.64	4600	-	-	2200	05	6120DB	Y		377	AV
	5570	-	-	2200	05	6125DB	Y		377	AV
	6560	1.05	I	3300	05	6130DC	Y	A	377	-
	6560	1.27	I	3300	05	6135DC	Y	A	377	-
	6560	1.66	III	3590	05	6140DB	Y	C	377	AV
	6560	1.85	III	3590	05	6145DB	Y	C	377	AV
3.70	5570	-	-	2200	05	6125DB	Y		473	AV
	6900	-	-	3300	05	6130DC	Y		473	-
	8220	1.01	I	3300	05	6135DC	Y	A	473	-
	8220	1.32	II	3590	05	6140DB	Y	B	473	AV
	8220	1.47	II	3590	05	6145DB	Y	B	473	AV
	8220	1.87	III	4960	05	6160DC	Y	C	473	-
3.13	6900	-	-	3300	05	6130DC	Y		559	-
	8320	-	-	3300	05	6135DC	Y		559	-
	9730	1.12	I	3590	05	6140DB	Y	A	559	AV
	9730	1.25	I	3590	05	6145DB	Y	A	559	AV
	9730	1.58	II	4960	05	6160DC	Y	B	559	-
	9730	1.91	III	4960	05	6165DC	Y	C	559	-
2.70	8070	-	-	3300	05	6130DC	Y		649	-
	9290	-	-	3300	05	6135DC	Y		649	-
	10900	-	-	3590	05	6140DB	Y		649	AV
	11300	1.07	I	3590	05	6145DB	Y	A	649	AV
	11300	1.38	II	4960	05	6160DC	Y	B	649	-
	11300	1.64	III	4960	05	6165DC	Y	C	649	-
2.39	8320	-	-	3300	05	6135DC	Y		731	AV
	10900	-	-	3590	05	6140DB	Y		731	AV
	12700	0.95	-	3530	05	6145DB	Y		731	AV
	12700	1.21	I	4960	05	6160DC	Y	A	731	-
	12700	1.46	II	4960	05	6165DC	Y	B	731	-
	12700	1.76	III	6620	05	6170DC	Y	C	731	-

Gearmotors

Selection Tables

Frame Size Selection Tables 60 Hz

1/2 HP 60 Hz, 1750 RPM



Output Speed RPM	Output Torque In•lbs	Service Factor		Overhung Load lbs	SELECTION					Option Inverter Duty
		SF	AGMA Class		HP Symbol	Frame Size	Shaft Spec.	AGMA Class	Ratio	
2.08	10900	-	-	3592	05	6140DB	Y		841	AV
	12100	-	-	3548	05	6145DB	Y		841	AV
	14600	1.07	I	4962	05	6160DC	Y	A	841	-
	14600	1.27	I	4962	05	6165DC	Y	A	841	-
	14600	1.53	II	6624	05	6170DC	Y	B	841	-
	14600	1.91	III	6624	05	6175DC	Y	C	841	-
1.74	12100	-	-	3592	05	6145DB	Y		1003	AV
	15600	-	-	4962	05	6160DC	Y		1003	-
	17400	1.07	I	4962	05	6165DC	Y	A	1003	-
	17400	1.28	I	6624	05	6170DC	Y	A	1003	-
	17400	1.60	III	6624	05	6175DC	Y	C	1003	-
1.40	15400	-	-	4962	05	6160DC	Y		1247	-
	18600	-	-	4962	05	6165DC	Y		1247	-
	21700	1.03	I	6624	05	6170DC	Y	A	1247	-
	21700	1.29	I	6624	05	6175DC	Y	A	1247	-
1.18	15600	-	-	4962	05	6160DC	Y		1479	-
	18100	-	-	4895	05	6165DC	Y		1479	-
	22400	-	-	6624	05	6170DC	Y		1479	-
	25800	1.08	I	6624	05	6175DC	Y	A	1479	-
0.946	18600	-	-	4962	05	6165DC	Y		1849	AV
	22400	-	-	6624	05	6170DC	Y		1849	AV
	27900	-	-	6624	05	6175DC	Y		1849	AV
0.847	22400	-	-	6624	05	6170DC	Y		2065	AV
	27900	-	-	6624	05	6175DC	Y		2065	AV
0.690	27900	-	-	6624	05	6175DC	Y		2537	AV

Dimensions Pages

Foot Mount (H) 4.2–4.29

V-Flange (V) 4.30–4.43

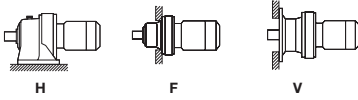
F-Flange (F) 4.44–4.65

Gearmotors
Selection
Tables

3/4 HP 60 Hz, 1750 RPM

Output Speed RPM	Output Torque In•lbs	Service Factor		Overhung Load lbs	SELECTION					Option Inverter Duty
		SF	AGMA Class		HP Symbol	Frame Size	Shaft Spec.	AGMA Class	Ratio	
292	151	1.08	I	404	08	6080	Y	A	6	-
		1.41	II	404	08	6085	Y	B	6	-
		2.09	III	604	08	6090	Y	C	6	AV
219	202	1.08	I	438	08	6080	Y	A	8	-
		1.41	II	438	08	6085	Y	B	8	-
		2.09	III	671	08	6090	Y	C	8	AV
159	278	1.08	I	483	08	6080	Y	A	11	-
		1.41	II	483	08	6085	Y	B	11	-
		2.09	III	750	08	6090	Y	C	11	AV
135	328	1.08	I	519	08	6080	Y	A	13	-
		1.41	II	519	08	6085	Y	B	13	-
		2.09	III	750	08	6090	Y	C	13	AV
117	379	1.08	I	534	08	6080	Y	A	15	-
		1.41	II	534	08	6085	Y	B	15	-
		2.09	III	750	08	6090	Y	C	15	AV

60 Hz Frame Size Selection Tables



3/4 HP

60 Hz, 1750 RPM

Dimensions Pages

Foot Mount (H) 4.2–4.29

V-Flange (V) 4.30–4.43

F-Flange (F) 4.44–4.65

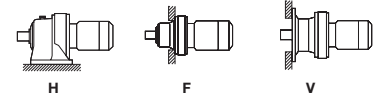
Output Speed RPM	Output Torque In•lbs	Service Factor		Overhung Load lbs	SELECTION					Option Inverter Duty
		SF	AGMA Class		HP Symbol	Frame Size	Shaft Spec.	AGMA Class	Ratio	
103	429	1.08	I	559	08	6080	Y	A	17	-
		1.41	II	559	08	6085	Y	B	17	-
		2.09	III	750	08	6090	Y	C	17	AV
83.3	530	1.00	I	546	08	6085	Y	A	21	-
		1.38	II	750	08	6090	Y	B	21	AV
		2.76	III	750	08	6095	Y	C	21	AV
70.0	631	0.86	-	559	08	6085	Y		25	-
		1.22	I	750	08	6090	Y	A	25	AV
		1.57	II	750	08	6095	Y	B	25	AV
		2.31	III	1210	08	6100	Y	C	25	AV
60.3	732	0.85	-	557	08	6085	Y		29	-
		1.14	I	750	08	6090	Y	A	29	AV
		1.43	II	750	08	6095	Y	B	29	AV
		2.20	III	1210	08	6100	Y	C	29	AV
50.0	883	1.11	I	750	08	6090	Y	A	35	AV
		1.38	II	750	08	6095	Y	B	35	AV
		1.77	III	1210	08	6100	Y	C	35	AV
40.7	1090	1.10	I	750	08	6095	Y	A	43	AV
		1.42	II	1210	08	6100	Y	B	43	AV
		1.96	III	1210	08	6105	Y	C	43	AV
34.3	1280	1.02	I	1210	08	6100	Y	A	51	AV
		1.41	II	1210	08	6105	Y	B	51	AV
		1.72	III	1710	08	6110	Y	C	51	AV
		2.02	III	1710	08	6115	Y	C	51	AV
29.7	1490	1.29	I	1210	08	6105	Y	A	59	AV
		1.56	II	1710	08	6110	Y	B	59	AV
		1.84	III	1710	08	6115	Y	C	59	AV
24.6	1790	1.02	I	1210	08	6105	Y	A	71	AV
		1.22	I	1710	08	6110	Y	A	71	AV
		1.38	II	1710	08	6115	Y	B	71	AV
		1.74	III	2200	08	6120	Y	C	71	AV
		2.18	III	2200	08	6125	Y	C	71	AV
20.1	2190	1.03	I	1210	08	6105	Y	A	87	AV
		1.20	I	1710	08	6110	Y	A	87	AV
		1.38	II	1710	08	6115	Y	B	87	AV
		1.72	III	2200	08	6120	Y	C	87	AV
		2.05	III	2200	08	6125	Y	C	87	AV
16.8	2490	1.87	III	2200	08	6120DB	Y	C	104	AV
		2.24	III	2200	08	6125DB	Y	C	104	AV
14.5	2890	1.61	III	2200	08	6120DB	Y	C	121	AV
		1.90	III	2200	08	6125DB	Y	C	121	AV
		2.39	III	3300	08	6130DC	Y	C	121	-
12.2	3420	1.36	II	2200	08	6120DB	Y	B	143	AV
		1.63	III	2200	08	6125DB	Y	C	143	AV
		2.02	III	3300	08	6130DC	Y	C	143	-
		2.43	III	3300	08	6135DC	Y	C	143	-
10.6	3950	1.18	I	2200	08	6120DB	Y	A	165	AV
		1.41	II	2200	08	6125DB	Y	B	165	AV
		1.75	III	3300	08	6130DC	Y	C	165	-
		2.11	III	3300	08	6135DC	Y	C	165	-

Gearmotors

Selection
Tables

Frame Size Selection Tables 60 Hz

3/4 HP 60 Hz, 1750 RPM



Output Speed	Output Torque	Service Factor		Overhung Load	SELECTION					Option
		RPM	In•lbs		SF	AGMA Class	lbs	HP Symbol	Frame Size	
8.97	4650	-	-	2200	08	6120DB	Y		195	AV
	4660	1.20	I	2200	08	6125DB	Y	A	195	AV
	4660	1.48	II	3300	08	6130DC	Y	B	195	AV
	4660	1.78	III	3300	08	6135DC	Y	C	195	AV
	4660	2.33	III	3590	08	6140DB	Y	C	195	AV
7.58	4620	-	-	2200	08	6120DB	Y		231	AV
	5520	1.01	I	2200	08	6125DB	Y	A	231	AV
	5520	1.25	I	3300	08	6130DC	Y	A	231	-
	5520	1.51	II	3300	08	6135DC	Y	B	231	-
	5520	1.96	III	3590	08	6140DB	Y	C	231	AV
	5520	2.14	III	3590	08	6145DB	Y	C	231	AV
6.41	5570	-	-	2200	08	6125DB	Y		273	AV
	6520	1.06	I	3300	08	6130DC	Y	A	273	AV
	6520	1.28	I	3300	08	6135DC	Y	A	273	AV
	6520	1.67	III	3590	08	6140DB	Y	C	273	AV
	6520	1.82	III	3590	08	6145DB	Y	C	273	AV
	6520	2.39	III	4960	08	6160DC	Y	C	273	AV
5.49	5570	-	-	2200	08	6125DB	Y		319	AV
	6900	-	-	3300	08	6130DC	Y		319	-
	7630	1.09	I	3300	08	6135DC	Y	A	319	-
	7630	1.42	II	3590	08	6140DB	Y	B	319	AV
	7630	1.59	II	3590	08	6145DB	Y	B	319	AV
	7630	2.04	III	4960	08	6160DC	Y	C	319	-
	7630	2.44	III	4960	08	6165DC	Y	C	319	-
4.64	6900	-	-	3300	08	6130DC	Y		377	AV
	8320	-	-	3300	08	6135DC	Y		377	AV
	9020	1.21	I	3590	08	6140DB	Y	A	377	AV
	9020	1.35	II	3590	08	6145DB	Y	B	377	AV
	9020	1.72	III	4960	08	6160DC	Y	C	377	AV
	9020	2.06	III	4960	08	6165DC	Y	C	377	AV
	9020	2.48	III	6620	08	6170DC	Y	C	377	AV
3.70	8320	-	-	3300	08	6135DC	Y		473	-
	10900	-	-	3590	08	6140DB	Y		473	AV
	11300	1.07	I	3590	08	6145DB	Y	A	473	AV
	11300	1.36	II	4960	08	6160DC	Y	B	473	-
	11300	1.64	III	4960	08	6165DC	Y	C	473	-
	11300	1.98	III	6620	08	6170DC	Y	C	473	-
	11300	2.47	III	6620	08	6175DC	Y	C	473	-
3.13	10900	-	-	3590	08	6140DB	Y		559	AV
	12100	-	-	3530	08	6145DB	Y		559	AV
	13400	1.15	I	4960	08	6160DC	Y	A	559	AV
	13400	1.39	II	4960	08	6165DC	Y	B	559	AV
	13400	1.68	III	6620	08	6170DC	Y	C	559	AV
	13400	2.09	III	6620	08	6175DC	Y	C	559	AV
2.70	12100	-	-	3590	08	6145DB	Y		649	AV
	15600	-	-	4960	08	6160DC	Y		649	-
	15500	1.20	I	4960	08	6165DC	Y	A	649	-
	15500	1.44	II	6620	08	6170DC	Y	B	649	-
	15500	1.80	III	6620	08	6175DC	Y	C	649	-

Dimensions Pages

Foot Mount (H) 4.2–4.29

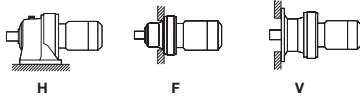
V-Flange (V) 4.30–4.43

F-Flange (F) 4.44–4.65

Gearmotors

Selection Tables

60 Hz Frame Size Selection Tables



3/4 HP

60 Hz, 1750 RPM

Dimensions Pages

Foot Mount (H) 4.2–4.29

V-Flange (V) 4.30–4.43

F-Flange (F) 4.44–4.65

Output Speed	Output Torque	Service Factor		Overhung Load	SELECTION					Option	
		RPM	In•lbs		SF	AGMA Class	lbs	HP Symbol	Frame Size		Shaft Spec.
2.39	15400	-	-	4960	08	6160DC	Y			731	AV
	17400	1.06	I	4960	08	6165DC	Y	A		731	AV
	17400	1.28	I	6620	08	6170DC	Y	A		731	AV
	17400	1.60	III	6620	08	6175DC	Y	C		731	AV
2.08	15600	-	-	4960	08	6160DC	Y			841	AV
	18600	-	-	4960	08	6165DC	Y			841	AV
	20100	1.11	I	6620	08	6170DC	Y	A		841	AV
	20100	1.39	II	6620	08	6175DC	Y	B		841	AV
1.74	18600	-	-	4960	08	6165DC	Y			1003	AV
	22400	-	-	6620	08	6170DC	Y			1003	AV
	24000	1.16	I	6620	08	6175DC	Y	A		1003	AV
1.40	22400	-	-	6620	08	6170DC	Y			1247	AV
	27900	-	-	6620	08	6175DC	Y			1247	AV
1.18	27900	-	-	6620	08	6175DC	Y			1479	AV

1 HP

60 Hz, 1750 RPM

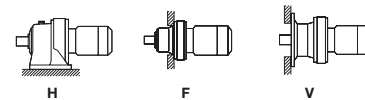
Gearmotors

Selection Tables

Output Speed	Output Torque	Service Factor		Overhung Load	SELECTION					Option	
		RPM	In•lbs		SF	AGMA Class	lbs	HP Symbol	Frame Size		Shaft Spec.
292	206	1.04	I	402	1	6085	Y	A		6	-
		1.53	II	599	1	6090	Y	B		6	AV
		2.03	III	599	1	6095	Y	C		6	AV
219	275	1.04	I	433	1	6085	Y	A		8	-
		1.53	II	669	1	6090	Y	B		8	AV
		2.03	III	669	1	6095	Y	C		8	AV
159	379	1.04	I	478	1	6085	Y	A		11	-
		1.53	II	750	1	6090	Y	B		11	AV
		2.03	III	750	1	6095	Y	C		11	AV
135	447	1.04	I	512	1	6085	Y	A		13	-
		1.53	II	750	1	6090	Y	B		13	AV
		2.03	III	750	1	6095	Y	C		13	AV
117	516	1.04	I	528	1	6085	Y	A		15	-
		1.53	II	750	1	6090	Y	B		15	AV
		2.03	III	750	1	6095	Y	C		15	AV
103	585	1.04	I	552	1	6085	Y	A		17	-
		1.53	II	750	1	6090	Y	B		17	AV
		2.03	III	750	1	6095	Y	C		17	AV
83.3	723	1.01	I	750	1	6090	Y	A		21	AV
		2.03	III	750	1	6095	Y	C		21	AV
70.0	860	1.15	I	750	1	6095	Y	A		25	AV
		1.69	III	1210	1	6100	Y	C		25	AV
		2.23	III	1210	1	6105	Y	C		25	AV

Frame Size Selection Tables 60 Hz

1HP 60 Hz, 1750 RPM



Output Speed RPM	Output Torque In•lbs	Service Factor		Overhung Load lbs	SELECTION					Option Inverter Duty
		SF	AGMA Class		HP Symbol	Frame Size	Shaft Spec.	AGMA Class	Ratio	
60.3	1000	1.05	I	750	1	6095	Y	A	29	AV
		1.61	III	1210	1	6100	Y	C	29	AV
		2.12	III	1210	1	6105	Y	C	29	AV
50.0	1200	1.01	I	748	1	6095	Y	A	35	AV
		1.30	II	1210	1	6100	Y	B	35	AV
		1.60	III	1210	1	6105	Y	C	35	AV
		2.00	III	1680	1	6110	Y	C	35	AV
40.7	1480	0.80	-	736	1	6095	Y		43	AV
		1.04	I	1210	1	6100	Y	A	43	AV
		1.44	II	1210	1	6105	Y	B	43	AV
		1.73	III	1710	1	6110	Y	C	43	AV
		2.03	III	1710	1	6115	Y	C	43	AV
34.3	1750	1.03	I	1210	1	6105	Y	A	51	AV
		1.48	II	1710	1	6115	Y	B	51	AV
		2.29	III	2200	1	6120	Y	C	51	AV
29.7	2030	0.94	-	1210	1	6105	Y		59	AV
		1.15	I	1710	1	6110	Y	A	59	AV
		1.35	II	1710	1	6115	Y	B	59	AV
		1.73	III	2200	1	6120	Y	C	59	AV
		2.16	III	2200	1	6125	Y	C	59	AV
24.6	2440	1.01	I	1710	1	6115	Y	A	71	AV
		1.28	I	2200	1	6120	Y	A	71	AV
		1.60	III	2200	1	6125	Y	C	71	AV
		2.44	III	2940	1	6130	Y	C	71	AV
20.1	2990	1.01	I	1710	1	6115	Y	A	87	AV
		1.51	II	2200	1	6125	Y	B	87	AV
		1.89	III	3190	1	6130	Y	C	87	AV
16.8	3390	1.37	II	2200	1	6120DB	Y	B	104	AV
		1.64	III	2200	1	6125DB	Y	C	104	AV
		2.04	III	3300	1	6130DC	Y	C	104	AV
		2.45	III	3300	1	6135DC	Y	C	104	AV
14.5	3950	1.18	I	2200	1	6120DB	Y	A	121	AV
		1.40	II	2200	1	6125DB	Y	B	121	AV
		1.75	III	3300	1	6130DC	Y	C	121	AV
		2.11	III	3300	1	6135DC	Y	C	121	AV
12.2	4650	-	-	2200	1	6120DB	Y		143	AV
	4660	1.20	I	2200	1	6125DB	Y	A	143	AV
	4660	1.48	II	3300	1	6130DC	Y	B	143	AV
	4660	1.78	III	3300	1	6135DC	Y	C	143	AV
	4660	2.13	III	3590	1	6140DB	Y	C	143	AV
10.6	4650	-	-	2200	1	6120DB	Y		165	AV
	5380	1.04	I	2200	1	6125DB	Y	A	165	AV
	5380	1.28	I	3300	1	6130DC	Y	A	165	AV
	5380	1.55	II	3300	1	6135DC	Y	B	165	AV
	5380	2.02	III	3590	1	6140DB	Y	C	165	AV
	5380	2.13	III	3590	1	6145DB	Y	C	165	AV
8.97	5570	-	-	2200	1	6125DB	Y		195	AV
	6350	1.09	I	3300	1	6130DC	Y	A	195	AV
	6350	1.31	II	3300	1	6135DC	Y	B	195	AV
	6350	1.71	III	3590	1	6140DB	Y	C	195	AV
	6350	1.89	III	3590	1	6145DB	Y	C	195	AV
	6350	2.45	III	4960	1	6160DC	Y	C	195	AV

Dimensions Pages

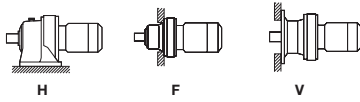
Foot Mount (H) 4.2–4.29

V-Flange (V) 4.30–4.43

F-Flange (F) 4.44–4.65

Gearmotors
Selection Tables

60 Hz Frame Size Selection Tables



1 HP

60 Hz, 1750 RPM

Dimensions Pages	
Foot Mount (H)	4.2–4.29
V-Flange (V)	4.30–4.43
F-Flange (F)	4.44–4.65

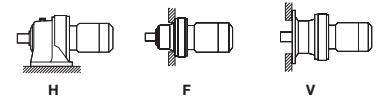
Output Speed RPM	Output Torque In•lbs	Service Factor		Overhung Load lbs	SELECTION					Option Inverter Duty
		SF	AGMA Class		HP Symbol	Frame Size	Shaft Spec.	AGMA Class	Ratio	
7.58	5570	-	-	2200	1	6125DB	Y		231	AV
	6900	-	-	3300	1	6130DC	Y		231	AV
	7530	1.10	I	3300	1	6135DC	Y	A	231	AV
	7530	1.44	II	3590	1	6140DB	Y	B	231	AV
	7530	1.57	II	3590	1	6145DB	Y	B	231	AV
	7530	2.07	III	4960	1	6160DC	Y	C	231	AV
	7530	2.47	III	4960	1	6165DC	Y	C	231	AV
6.41	6900	-	-	3300	1	6130DC	Y		273	AV
	8320	-	-	3300	1	6135DC	Y		273	AV
	8940	1.22	I	3590	1	6140DB	Y	A	273	AV
	8940	1.33	II	3590	1	6145DB	Y	B	273	AV
	8940	1.75	III	4960	1	6160DC	Y	C	273	AV
	8940	2.09	III	4960	1	6165DC	Y	C	273	AV
	8940	2.50	III	6620	1	6170DC	Y	C	273	AV
5.49	8320	-	-	3300	1	6135DC	Y		319	AV
	10400	1.04	I	3590	1	6140DB	Y	A	319	AV
	10400	1.17	I	3590	1	6145DB	Y	A	319	AV
	10400	1.49	II	4960	1	6160DC	Y	B	319	AV
	10400	1.79	III	4960	1	6165DC	Y	C	319	AV
	10400	2.14	III	6620	1	6170DC	Y	C	319	AV
4.64	10900	-	-	3590	1	6140DB	Y		377	AV
	12300	0.99	-	3530	1	6145DB	Y		377	AV
	12300	1.27	I	4960	1	6160DC	Y	A	377	AV
	12300	1.51	II	4960	1	6165DC	Y	B	377	AV
	12300	1.82	III	6620	1	6170DC	Y	C	377	AV
	12300	2.27	III	6620	1	6175DC	Y	C	377	AV
3.70	12100	-	-	3530	1	6145DB	Y		473	AV
	15400	1.00	I	4960	1	6160DC	Y	A	473	AV
	15400	1.21	I	4960	1	6165DC	Y	A	473	AV
	15400	1.45	II	6620	1	6170DC	Y	B	473	AV
	15400	1.81	III	6620	1	6175DC	Y	C	473	AV
	15400	2.33	III	9360	1	6180DB	Y	C	473	-
3.13	15400	-	-	4960	1	6160DC	Y		559	AV
	18200	1.02	I	4960	1	6165DC	Y	A	559	AV
	18200	1.23	I	6620	1	6170DC	Y	A	559	AV
	18200	1.53	II	6620	1	6175DC	Y	B	559	AV
	18200	1.97	III	9360	1	6180DB	Y	C	559	-
	18200	2.43	III	9360	1	6185DB	Y	C	559	-
2.70	18600	-	-	4960	1	6165DC	Y		649	AV
	21100	1.06	I	6620	1	6170DC	Y	A	649	AV
	21100	1.32	II	6620	1	6175DC	Y	B	649	AV
	21100	1.69	III	9360	1	6180DB	Y	C	649	-
	21100	2.09	III	9360	1	6185DB	Y	C	649	-
	21100	2.67	III	13200	1	6190DA	Y	C	649	AV
2.39	18600	-	-	4960	1	6165DC	Y		731	AV
	22400	-	-	6620	1	6170DC	Y		731	AV
	23800	1.17	I	6620	1	6175DC	Y	A	731	AV
	23800	1.51	II	9360	1	6180DB	Y	B	731	-
	23800	1.86	III	9360	1	6185DB	Y	C	731	-
	23800	2.37	III	13200	1	6190DA	Y	C	731	AV

Gearmotors

Selection Tables

Frame Size Selection Tables 60 Hz

1 HP 60 Hz, 1750 RPM



Output Speed	Output Torque	Service Factor		Overhung Load	SELECTION					Option	
		RPM	In•lbs		SF	AGMA Class	lbs	HP Symbol	Frame Size		Shaft Spec.
2.08	22400	-	-	6620	1	6170DC	Y			841	AV
	27400	1.02	I	6620	1	6175DC	Y	A		841	AV
	27400	1.31	II	9360	1	6180DB	Y	B		841	AV
	27400	1.61	III	9360	1	6185DB	Y	C		841	AV
	27400	2.06	III	13200	1	6190DA	Y	C		841	AV
	27400	2.57	III	13200	1	6195DA	Y	C		841	AV
1.74	27900	-	-	6620	1	6175DC	Y			1003	AV
	32600	1.10	I	9360	1	6180DB	Y	A		1003	-
	32600	1.35	II	9360	1	6185DB	Y	B		1003	-
	32600	1.73	III	13200	1	6190DA	Y	C		1003	AV
	32600	2.15	III	13200	1	6195DA	Y	C		1003	AV
1.40	35900	-	-	9360	1	6180DB	Y			1247	AV
	40600	1.09	I	9360	1	6185DB	Y	A		1247	AV
	40600	1.39	II	13200	1	6190DA	Y	B		1247	AV
	40600	1.73	III	13200	1	6195DA	Y	C		1247	AV
1.18	35900	-	-	9360	1	6180DB	Y			1479	-
	44200	-	-	9360	1	6185DB	Y			1479	-
	48200	1.17	I	13200	1	6190DA	Y	A		1479	AV
	48200	1.46	II	13200	1	6195DA	Y	B		1479	AV
0.946	44200	-	-	9360	1	6185DB	Y			1849	AV
	56500	-	-	13200	1	6190DA	Y			1849	AV
	60300	1.17	I	13200	1	6195DA	Y	A		1849	AV
0.847	44200	-	-	9340	1	6185DB	Y			2065	AV
	56500	-	-	13200	1	6190DA	Y			2065	AV
	67300	1.05	I	13100	1	6195DA	Y	A		2065	AV
0.690	56500	-	-	13200	1	6190DA	Y			2537	AV
	70400	-	-	13000	1	6195DA	Y			2537	AV
	82700	1.00	I	18900	1	6205DA	Y	A		2537	AV
0.575	56500	-	-	13200	1	6190DA	Y			3045	AV
	70400	-	-	13100	1	6195DA	Y			3045	AV
	77500	-	-	18900	1	6205DA	Y			3045	AV
0.503	56500	-	-	13200	1	6190DA	Y			3481	AV
	70400	-	-	13000	1	6195DA	Y			3481	AV
	82300	-	-	18900	1	6205DA	Y			3481	AV
0.394	56500	-	-	13200	1	6190DA	Y			4437	AV
	70400	-	-	13100	1	6195DA	Y			4437	AV
	77500	-	-	18900	1	6205DA	Y			4437	AV
0.341	56500	-	-	13200	1	6190DA	Y			5133	AV
	70400	-	-	13100	1	6195DA	Y			5133	AV
	82300	-	-	18900	1	6205DA	Y			5133	AV
0.283	56500	-	-	13200	1	6190DA	Y			6177	AV
	70400	-	-	13100	1	6195DA	Y			6177	AV
	77500	-	-	18900	1	6205DA	Y			6177	AV
0.231	56500	-	-	13200	1	6190DA	Y			7569	AV
	70400	-	-	13100	1	6195DA	Y			7569	AV
	77500	-	-	18900	1	6205DA	Y			7569	AV

Dimensions Pages

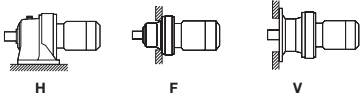
Foot Mount (H) 4.2–4.29

V-Flange (V) 4.30–4.43

F-Flange (F) 4.44–4.65

Gearmotors
Selection
Tables

60 Hz Frame Size Selection Tables



1.5 HP
60 Hz, 1750 RPM

Dimensions Pages

Foot Mount (H) 4.2–4.29

V-Flange (V) 4.30–4.43

F-Flange (F) 4.44–4.65

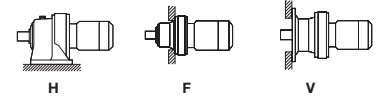
Output Speed RPM	Output Torque In•lbs	Service Factor		Overhung Load lbs	SELECTION					Option Inverter Duty
		SF	AGMA Class		HP Symbol	Frame Size	Shaft Spec.	AGMA Class	Ratio	
583	151	2.14	III	687	1H	6100	Y	C	3	AV
350	253	2.14	III	813	1H	6100	Y	C	5	AV
292	303	1.05	I	595	1H	6090	Y	A	6	-
		1.38	II	595	1H	6095	Y	B	6	-
		2.14	III	876	1H	6100	Y	C	6	AV
219	403	1.05	I	662	1H	6090	Y	A	8	-
		1.38	II	662	1H	6095	Y	B	8	-
		2.14	III	977	1H	6100	Y	C	8	AV
159	555	1.05	I	750	1H	6090	Y	A	11	-
		1.38	II	750	1H	6095	Y	B	11	-
		2.14	III	1110	1H	6100	Y	C	11	AV
135	656	1.05	I	750	1H	6090	Y	A	13	-
		1.38	II	750	1H	6095	Y	B	13	-
		2.14	III	1150	1H	6100	Y	C	13	AV
117	757	1.05	I	750	1H	6090	Y	A	15	-
		1.38	II	750	1H	6095	Y	B	15	-
		2.14	III	1210	1H	6100	Y	C	15	AV
103	857	1.05	I	750	1H	6090	Y	A	17	-
		1.38	II	750	1H	6095	Y	B	17	-
		1.81	III	1210	1H	6100	Y	C	17	AV
83.3	1060	1.38	II	750	1H	6095	Y	B	21	-
		1.75	III	1210	1H	6100	Y	C	21	AV
		2.13	III	1210	1H	6105	Y	C	21	AV
70.0	1270	1.15	I	1210	1H	6100	Y	A	25	AV
		1.52	II	1210	1H	6105	Y	B	25	AV
		1.74	III	1520	1H	6110	Y	C	25	AV
		2.02	III	1520	1H	6115	Y	C	25	AV
60.3	1460	1.10	I	1210	1H	6100	Y	A	29	AV
		1.45	II	1210	1H	6105	Y	B	29	AV
		1.73	III	1560	1H	6110	Y	C	29	AV
		2.02	III	1560	1H	6115	Y	C	29	AV
50.0	1770	1.09	I	1210	1H	6105	Y	A	35	AV
		1.36	II	1670	1H	6110	Y	B	35	AV
		1.65	III	1670	1H	6115	Y	C	35	AV
		2.26	III	2020	1H	6120	Y	C	35	AV
40.7	2170	0.98	-	1210	1H	6105	Y		43	AV
		1.18	I	1710	1H	6110	Y	A	43	AV
		1.38	II	1710	1H	6115	Y	B	43	AV
		1.74	III	2150	1H	6120	Y	C	43	AV
		2.16	III	2150	1H	6125	Y	C	43	AV
34.3	2570	1.01	I	1710	1H	6115	Y	A	51	AV
		1.56	II	2200	1H	6120	Y	B	51	AV
		2.07	III	2200	1H	6125	Y	C	51	AV
29.7	2970	0.92	-	1710	1H	6115	Y		59	AV
		1.18	I	2200	1H	6120	Y	A	59	AV
		1.47	II	2200	1H	6125	Y	B	59	AV
		1.99	III	2760	1H	6130	Y	C	59	AV

Gearmotors

Selection
Tables

Frame Size Selection Tables 60 Hz

1.5 HP 60 Hz, 1750 RPM



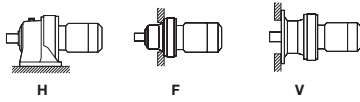
Output Speed	Output Torque	Service Factor		Overhung Load	SELECTION					Option
		RPM	In•lbs		SF	AGMA Class	lbs	HP Symbol	Frame Size	
24.6	3580	1.09	I	2200	1H	6125	Y	A	71	AV
		1.66	III	2940	1H	6130	Y	C	71	AV
		1.97	III	2940	1H	6135	Y	C	71	AV
20.1	4390	1.03	I	2200	1H	6125	Y	A	87	AV
		1.29	I	3170	1H	6130	Y	A	87	AV
		1.74	III	3170	1H	6135	Y	C	87	AV
		1.80	III	3590	1H	6140	Y	C	87	AV
16.8	4650	-	-	2200	1H	6120DB	Y		104	-
	4970	1.12	I	2200	1H	6125DB	Y	A	104	-
	4970	1.39	II	3300	1H	6130DC	Y	B	104	AV
	4970	1.67	III	3300	1H	6135DC	Y	C	104	AV
14.5	4650	-	-	2200	1H	6120DB	Y		121	-
	5500	-	-	2200	1H	6125DB	Y		121	-
	5790	1.19	I	3300	1H	6130DC	Y	A	121	AV
	5790	1.44	II	3300	1H	6135DC	Y	B	121	AV
	5790	1.45	II	3590	1H	6140DB	Y	B	121	-
12.2	5790	2.68	III	4960	1H	6160DC	Y	C	121	AV
	5570	-	-	2200	1H	6125DB	Y		143	-
	6840	1.01	I	3300	1H	6130DC	Y	A	143	AV
	6840	1.22	I	3300	1H	6135DC	Y	A	143	AV
	6840	1.45	II	3590	1H	6140DB	Y	B	143	-
10.6	6840	2.27	III	4960	1H	6160DC	Y	C	143	AV
	5570	-	-	2200	1H	6125DB	Y		165	-
	6900	-	-	3300	1H	6130DC	Y		165	AV
	7880	1.05	I	3300	1H	6135DC	Y	A	165	AV
	7880	1.38	II	3590	1H	6140DB	Y	B	165	-
	7880	1.45	II	3590	1H	6145DB	Y	B	165	-
	7880	1.97	III	4960	1H	6160DC	Y	C	165	AV
8.97	7880	2.36	III	4960	1H	6165DC	Y	C	165	AV
	6900	-	-	3300	1H	6130DC	Y		195	AV
	8320	-	-	3300	1H	6135DC	Y		195	AV
	9290	1.17	I	3590	1H	6140DB	Y	A	195	-
	9290	1.29	I	3590	1H	6145DB	Y	A	195	-
	9290	1.68	III	4960	1H	6160DC	Y	C	195	AV
7.58	9290	1.99	III	4960	1H	6165DC	Y	C	195	AV
	9290	2.40	III	6620	1H	6170DC	Y	C	195	AV
	8320	-	-	3300	1H	6135DC	Y		231	AV
	10900	-	-	3590	1H	6140DB	Y		231	-
	11100	1.07	I	3590	1H	6145DB	Y	A	231	-
	11100	1.41	II	4960	1H	6160DC	Y	B	231	AV
	11100	1.68	III	4960	1H	6165DC	Y	C	231	AV
6.41	11100	2.03	III	6620	1H	6170DC	Y	C	231	AV
	11100	2.52	III	6620	1H	6175DC	Y	C	231	AV
	10900	-	-	3590	1H	6140DB	Y		273	-
	11900	-	-	3590	1H	6145DB	Y		273	-
	13000	1.20	I	4960	1H	6160DC	Y	A	273	AV
6.41	13000	1.42	II	4960	1H	6165DC	Y	B	273	AV
	13000	1.72	III	6620	1H	6170DC	Y	C	273	AV
	13000	2.14	III	6620	1H	6175DC	Y	C	273	AV

Dimensions Pages

Foot Mount (H)	4.2-4.29
V-Flange (V)	4.30-4.43
F-Flange (F)	4.44-4.65

Gearmotors
Selection
Tables

60 Hz Frame Size Selection Tables



1.5 HP
60 Hz, 1750 RPM

Dimensions Pages	
Foot Mount (H)	4.2–4.29
V-Flange (V)	4.30–4.43
F-Flange (F)	4.44–4.65

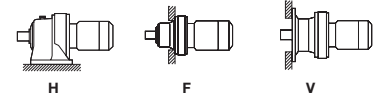
Output Speed RPM	Output Torque In•lbs	Service Factor		Overhung Load lbs	SELECTION					Option Inverter Duty
		SF	AGMA Class		HP Symbol	Frame Size	Shaft Spec.	AGMA Class	Ratio	
5.49	10900	-	-	3590	1H	6140DB	Y		319	-
	12100	-	-	3550	1H	6145DB	Y		319	-
	15200	1.02	I	4960	1H	6160DC	Y	A	319	AV
	15200	1.22	I	4960	1H	6165DC	Y	A	319	AV
	15200	1.47	II	6620	1H	6170DC	Y	B	319	AV
	15200	1.83	III	6620	1H	6175DC	Y	C	319	AV
	15200	2.35	III	9360	1H	6180DB	Y	C	319	-
4.64	15600	-	-	4960	1H	6160DC	Y		377	AV
	18000	1.03	I	4960	1H	6165DC	Y	A	377	AV
	18000	1.24	I	6620	1H	6170DC	Y	A	377	AV
	18000	1.54	II	6620	1H	6175DC	Y	B	377	AV
	18000	1.99	III	9360	1H	6180DB	Y	C	377	-
	18000	2.45	III	9360	1H	6185DB	Y	C	377	-
3.70	18600	-	-	4960	1H	6165DC	Y		473	AV
	22400	-	-	6620	1H	6170DC	Y		473	AV
	22700	1.23	I	6620	1H	6175DC	Y	A	473	AV
	22700	1.59	II	9360	1H	6180DB	Y	B	473	-
	22700	1.96	III	9360	1H	6185DB	Y	C	473	-
	22700	2.50	III	13200	1H	6190DA	Y	C	473	AV
	22700	2.50	III	13200	1H	6195DA	Y	C	473	AV
3.13	18600	-	-	4960	1H	6165DC	Y		559	AV
	22400	-	-	6620	1H	6170DC	Y		559	AV
	26700	1.04	I	6620	1H	6175DC	Y	A	559	AV
	26700	1.34	II	9360	1H	6180DB	Y	B	559	-
	26700	1.66	III	9360	1H	6185DB	Y	C	559	-
	26700	2.11	III	13200	1H	6190DA	Y	C	559	AV
2.70	22400	-	-	6620	1H	6170DC	Y		649	AV
	27900	-	-	6620	1H	6175DC	Y		649	AV
	31100	1.15	I	9360	1H	6180DB	Y	A	649	-
	31100	1.43	II	9360	1H	6185DB	Y	B	649	-
	31100	1.82	III	13200	1H	6190DA	Y	C	649	AV
	31100	2.27	III	13200	1H	6195DA	Y	C	649	AV
	31100	2.27	III	13200	1H	6195DA	Y	C	649	AV
2.39	27900	-	-	6620	1H	6175DC	Y		731	AV
	34900	1.03	I	9360	1H	6180DB	Y	A	731	AV
	34900	1.27	I	9360	1H	6185DB	Y	A	731	AV
	34900	1.62	III	13200	1H	6190DA	Y	C	731	AV
	34900	2.02	III	13200	1H	6195DA	Y	C	731	AV
	34900	2.02	III	13200	1H	6195DA	Y	C	731	AV
2.08	27900	-	-	6620	1H	6175DC	Y		841	AV
	35800	-	-	9360	1H	6180DB	Y		841	AV
	40200	1.10	I	9360	1H	6185DB	Y	A	841	AV
	40200	1.40	II	13200	1H	6190DA	Y	B	841	AV
	40200	1.75	III	13200	1H	6195DA	Y	C	841	AV
1.74	35800	-	-	9360	1H	6180DB	Y		1003	AV
	44200	-	-	9340	1H	6185DB	Y		1003	AV
	48000	1.18	I	13200	1H	6190DA	Y	A	1003	AV
	48000	1.47	II	13200	1H	6195DA	Y	B	1003	AV
1.40	44200	-	-	9360	1H	6185DB	Y		1247	AV
	56500	-	-	13200	1H	6190DA	Y		1247	AV
	59600	1.18	I	13200	1H	6195DA	Y	A	1247	AV

Gearmotors

Selection Tables

Frame Size Selection Tables 60 Hz

1.5 HP 60 Hz, 1750 RPM



Output Speed RPM	Output Torque In•lbs	Service Factor		Overhung Load lbs	SELECTION					Option Inverter Duty
		SF	AGMA Class		HP Symbol	Frame Size	Shaft Spec.	AGMA Class	Ratio	
1.18	56500	-	-	13200	1H	6190DA	Y		1479	AV
	70700	1.00	I	13100	1H	6195DA	Y	A	1479	AV
0.946	70400	-	-	13200	1H	6195DA	Y		1849	AV
0.847	70400	-	-	13000	1H	6195DA	Y		2065	AV

Dimensions Pages

Foot Mount (H) 4.2–4.29

V-Flange (V) 4.30–4.43

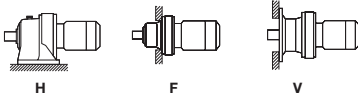
F-Flange (F) 4.44–4.65

2 HP 60 Hz, 1750 RPM

Output Speed RPM	Output Torque In•lbs	Service Factor		Overhung Load lbs	SELECTION					Option Inverter Duty
		SF	AGMA Class		HP Symbol	Frame Size	Shaft Spec.	AGMA Class	Ratio	
583	207	1.57	II	687	2	6100	Y	B	3	AV
		2.12	III	680	2	6105	Y	C	3	AV
350	344	1.57	II	813	2	6100	Y	B	5	AV
		2.12	III	806	2	6105	Y	C	5	AV
292	413	1.01	I	591	2	6095	Y	A	6	-
		1.57	II	871	2	6100	Y	B	6	AV
		2.12	III	871	2	6105	Y	C	6	AV
		1.01	I	656	2	6095	Y	A	8	-
219	550	1.57	II	972	2	6100	Y	B	8	AV
		2.12	III	972	2	6105	Y	C	8	AV
159	757	1.01	I	741	2	6095	Y	A	11	-
		1.57	II	1100	2	6100	Y	B	11	AV
		2.12	III	1100	2	6105	Y	C	11	AV
		1.01	I	741	2	6095	Y	A	13	-
135	894	1.57	II	1150	2	6100	Y	B	13	AV
		2.12	III	1150	2	6105	Y	C	13	AV
117	1040	1.01	I	736	2	6095	Y	A	15	-
		1.57	II	1210	2	6100	Y	B	15	AV
		2.12	III	1210	2	6105	Y	C	15	AV
		1.01	I	739	2	6095	Y	A	17	-
103	1170	1.33	II	1210	2	6100	Y	B	17	AV
		1.64	III	1210	2	6105	Y	C	17	AV
		2.12	III	1400	2	6110	Y	C	17	AV
		1.01	I	732	2	6095	Y	A	21	-
83.3	1440	1.56	II	1210	2	6105	Y	B	21	AV
		1.81	III	1490	2	6110	Y	C	21	AV
70.0	1720	1.11	I	1210	2	6105	Y	A	25	AV
		1.48	II	1510	2	6115	Y	B	25	AV
		2.06	III	1830	2	6120	Y	C	25	AV
		1.06	I	1210	2	6105	Y	A	29	AV
60.3	2000	1.48	II	1550	2	6115	Y	B	29	AV
		1.99	III	1900	2	6120	Y	C	29	AV

Gearmotors
Selection
Tables

60 Hz Frame Size Selection Tables

**2 HP****60 Hz, 1750 RPM**

Dimensions Pages

Foot Mount (H) 4.2–4.29

V-Flange (V) 4.30–4.43

F-Flange (F) 4.44–4.65

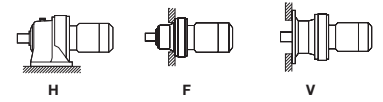
Output Speed RPM	Output Torque In•lbs	Service Factor		Overhung Load lbs	SELECTION					Option Inverter Duty
		SF	AGMA Class		HP Symbol	Frame Size	Shaft Spec.	AGMA Class	Ratio	
50.0	2410	1.21	I	1650	2	6115	Y	A	35	AV
		1.66	III	2010	2	6120	Y	C	35	AV
		2.12	III	2010	2	6125	Y	C	35	AV
40.7	2960	1.01	I	1710	2	6115	Y	A	43	AV
		1.59	II	2140	2	6125	Y	B	43	AV
		1.99	III	2510	2	6130	Y	C	43	AV
34.3	3510	1.15	I	2200	2	6120	Y	A	51	AV
		1.52	II	2200	2	6125	Y	B	51	AV
		1.95	III	2630	2	6135	Y	C	51	AV
		2.29	III	3590	2	6140	Y	C	51	AV
29.7	4060	1.08	I	2200	2	6125	Y	A	59	AV
		1.46	II	2740	2	6130	Y	B	59	AV
		1.68	III	2740	2	6135	Y	C	59	AV
		1.97	III	3590	2	6140	Y	C	59	AV
24.6	4880	1.22	I	2900	2	6130	Y	A	71	AV
		1.45	II	2900	2	6135	Y	B	71	AV
		1.62	III	3590	2	6140	Y	C	71	AV
		2.02	III	3590	2	6145	Y	C	71	AV
20.1	5990	1.27	I	3120	2	6135	Y	A	87	AV
		1.32	II	3590	2	6140	Y	B	87	AV
		1.65	III	3590	2	6145	Y	C	87	AV
		2.31	III	4960	2	6160	Y	C	87	AV
16.8	5570	-	-	2200	2	6125DB	Y		104	-
	6780	1.23	I	3300	2	6135DC	Y	A	104	AV
	6780	2.30	III	4960	2	6160DC	Y	C	104	AV
14.5	6900	-	-	3300	2	6130DC	Y		121	AV
	7880	1.05	I	3300	2	6135DC	Y	A	121	AV
	7880	1.07	I	3590	2	6140DB	Y	A	121	-
	7880	1.45	II	3590	2	6145DB	Y	B	121	-
	7880	1.97	III	4960	2	6160DC	Y	C	121	AV
12.2	6900	-	-	3300	2	6130DC	Y		143	AV
	8320	-	-	3300	2	6135DC	Y		143	AV
	9290	1.07	I	3590	2	6140DB	Y	A	143	-
	9290	1.67	III	4960	2	6160DC	Y	C	143	AV
	9290	1.99	III	4960	2	6165DC	Y	C	143	AV
	9290	2.41	III	6620	2	6170DC	Y	C	143	AV
10.6	8320	-	-	3300	2	6135DC	Y		165	AV
	10800	1.01	I	3590	2	6140DB	Y	A	165	-
	10800	1.07	I	3590	2	6145DB	Y	A	165	-
	10800	1.44	II	4960	2	6160DC	Y	B	165	AV
	10800	1.73	III	4960	2	6165DC	Y	C	165	AV
	10800	2.08	III	6620	2	6170DC	Y	C	165	AV
10800	2.58	III	6620	2	6175DC	Y	C	165	AV	

Gearmotors

Selection
Tables

Frame Size Selection Tables 60 Hz

2 HP 60 Hz, 1750 RPM



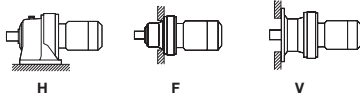
Output Speed	Output Torque	Service Factor		Overhung Load	SELECTION					Option	
		RPM	In•lbs		SF	AGMA Class	lbs	HP Symbol	Frame Size		Shaft Spec.
8.97	10900	-	-	3590	2	6140DB	Y			195	-
	12000	-	-	3590	2	6145DB	Y			195	-
	12700	1.22	I	4960	2	6160DC	Y	A		195	AV
	12700	1.46	II	4960	2	6165DC	Y	B		195	AV
	12700	1.76	III	6620	2	6170DC	Y	C		195	AV
	12700	2.19	III	6620	2	6175DC	Y	C		195	AV
7.58	11900	-	-	3590	2	6145DB	Y			231	-
	15000	1.24	I	4960	2	6165DC	Y	A		231	AV
	15000	1.49	II	6620	2	6170DC	Y	B		231	AV
	15000	1.85	III	6620	2	6175DC	Y	C		231	AV
	15000	2.38	III	9360	2	6180DB	Y	C		231	-
6.41	15600	-	-	4960	2	6160DC	Y			273	AV
	17800	1.04	I	4960	2	6165DC	Y	A		273	AV
	17800	1.26	I	6620	2	6170DC	Y	A		273	AV
	17800	1.57	II	6620	2	6175DC	Y	B		273	AV
	17800	2.01	III	9360	2	6180DB	Y	C		273	AV
	17800	2.49	III	9360	2	6185DB	Y	C		273	AV
5.49	15600	-	-	4960	2	6160DC	Y			319	AV
	18600	-	-	4960	2	6165DC	Y			319	AV
	20800	1.08	I	6620	2	6170DC	Y	A		319	AV
	20800	1.34	II	6620	2	6175DC	Y	B		319	AV
	20800	1.72	III	9360	2	6180DB	Y	C		319	-
	20800	2.13	III	9360	2	6185DB	Y	C		319	-
4.64	18600	-	-	4960	2	6165DC	Y			377	AV
	22400	-	-	6620	2	6170DC	Y			377	AV
	24600	1.13	I	6620	2	6175DC	Y	A		377	AV
	24600	1.46	II	9360	2	6180DB	Y	B		377	AV
	24600	1.80	III	9360	2	6185DB	Y	C		377	AV
	24600	2.30	III	13200	2	6190DA	Y	C		377	AV
3.70	27900	-	-	6620	2	6175DC	Y			473	AV
	30800	1.17	I	9360	2	6180DB	Y	A		473	-
	30800	1.43	II	9360	2	6185DB	Y	B		473	-
	30800	1.83	III	13200	2	6190DA	Y	C		473	AV
	30800	2.28	III	13200	2	6195DA	Y	C		473	AV
3.13	27900	-	-	6620	2	6175DC	Y			559	AV
	35900	-	-	9360	2	6180DB	Y			559	AV
	36500	1.21	I	9360	2	6185DB	Y	A		559	AV
	36500	1.55	II	13200	2	6190DA	Y	B		559	AV
2.70	35800	-	-	9360	2	6180DB	Y			649	-
	42300	1.05	I	9360	2	6185DB	Y	A		649	-
	42300	1.33	II	13200	2	6190DA	Y	B		649	AV
	42300	1.66	III	13200	2	6195DA	Y	C		649	AV
2.39	35900	-	-	9360	2	6180DB	Y			731	AV
	44200	-	-	9360	2	6185DB	Y			731	AV
	47700	1.18	I	13200	2	6190DA	Y	A		731	AV
	47700	1.48	II	13200	2	6195DA	Y	B		731	AV

Dimensions Pages

Foot Mount (H)	4.2-4.29
V-Flange (V)	4.30-4.43
F-Flange (F)	4.44-4.65

Gearmotors Selection Tables

60 Hz Frame Size Selection Tables

**2 HP**

60 Hz, 1750 RPM

Dimensions Pages

Foot Mount (H) 4.2–4.29

V-Flange (V) 4.30–4.43

F-Flange (F) 4.44–4.65

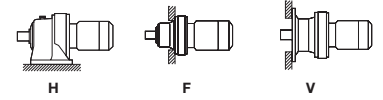
Output Speed RPM	Output Torque In•lbs	Service Factor		Overhung Load lbs	SELECTION					Option Inverter Duty
		SF	AGMA Class		HP Symbol	Frame Size	Shaft Spec.	AGMA Class	Ratio	
2.08	44200	-	-	9360	2	6185DB	Y		841	AV
	54900	1.28	I	13200	2	6195DA	Y	A	841	AV
1.74	56500	-	-	13200	2	6190DA	Y		1003	AV
	65400	1.08	I	13100	2	6195DA	Y	A	1003	AV
	65400	1.26	I	18900	2	6205DB	Y	A	1003	AV
1.40	70400	-	-	13200	2	6195DA	Y		1247	AV
	81300	1.01	I	18900	2	6205DB	Y	A	1247	AV
1.18	74000	-	-	18900	2	6205DA	Y		1479	AV
	77500	-	-	18900	2	6205DB	Y		1479	AV
	96400	1.03	I	23400	2	6215DA	Y	A	1479	AV
	96400	1.39	II	32600	2	6225DA	Y	B	1479	AV
0.946	82300	-	-	18900	2	6205DA	Y		1849	AV
	112000	-	-	23400	2	6215DA	Y		1849	AV
	120000	1.17	I	32600	2	6225DA	Y	A	1849	AV
0.847	82300	-	-	18900	2	6205DA	Y		2065	AV
	112000	-	-	23400	2	6215DA	Y		2065	AV
	134000	1.04	I	32600	2	6225DA	Y	A	2065	AV
0.690	112000	-	-	23400	2	6215DA	Y		2537	AV
	141000	-	-	32600	2	6225DA	Y		2537	AV
0.575	100000	-	-	23400	2	6215DA	Y		3045	AV
	134000	-	-	32600	2	6225DA	Y		3045	AV
0.503	112000	-	-	23400	2	6215DA	Y		3481	AV
	141000	-	-	32600	2	6225DA	Y		3481	AV
0.394	100000	-	-	23400	2	6215DA	Y		4437	AV
	134000	-	-	32600	2	6225DA	Y		4437	AV
0.341	112000	-	-	23400	2	6215DA	Y		5133	AV
	141000	-	-	32600	2	6225DA	Y		5133	AV
0.283	100000	-	-	23400	2	6215DA	Y		6177	AV
	134000	-	-	32600	2	6225DA	Y		6177	AV
0.231	100000	-	-	23400	2	6215DA	Y		7569	AV
	134000	-	-	32600	2	6225DA	Y		7569	AV

Gearmotors

Selection
Tables

Frame Size Selection Tables 60 Hz

3 HP 60 Hz, 1750 RPM



Output Speed RPM	Output Torque In•lbs	Service Factor		Overhung Load lbs	SELECTION					Option Inverter Duty
		SF	AGMA Class		HP Symbol	Frame Size	Shaft Spec.	AGMA Class	Ratio	
583	303	1.07	I	687	3	6100	Y	A	3	-
		1.45	II	680	3	6105	Y	B	3	-
350	505	1.07	I	813	3	6100	Y	A	5	-
		1.45	II	806	3	6105	Y	B	5	-
292	605	1.07	I	867	3	6100	Y	A	6	-
		1.45	II	867	3	6105	Y	B	6	-
		1.61	III	981	3	6110	Y	C	6	AV
		1.78	III	981	3	6115	Y	C	6	AV
219	807	1.07	I	965	3	6100	Y	A	8	-
		1.45	II	965	3	6105	Y	B	8	-
		1.61	III	1090	3	6110	Y	C	8	AV
		1.78	III	1090	3	6115	Y	C	8	AV
159	1110	1.07	I	1090	3	6100	Y	A	11	-
		1.45	II	1090	3	6105	Y	B	11	-
		1.61	III	1250	3	6110	Y	C	11	AV
		1.78	III	1250	3	6115	Y	C	11	AV
135	1310	1.07	I	1140	3	6100	Y	A	13	-
		1.45	II	1140	3	6105	Y	B	13	-
		1.61	III	1290	3	6110	Y	C	13	AV
		1.77	III	1290	3	6115	Y	C	13	AV
117	1510	1.07	I	1200	3	6100	Y	A	15	-
		1.45	II	1200	3	6105	Y	B	15	-
		1.61	III	1370	3	6110	Y	C	15	AV
		1.77	III	1370	3	6115	Y	C	15	AV
103	1720	1.12	I	1210	3	6105	Y	A	17	-
		1.45	II	1390	3	6110	Y	B	17	AV
		1.77	III	1390	3	6115	Y	C	17	AV
83.3	2120	1.06	I	1210	3	6105	Y	A	21	-
		1.41	II	1470	3	6115	Y	B	21	AV
		1.80	III	1730	3	6120	Y	C	21	AV
70.0	2520	1.01	I	1490	3	6115	Y	A	25	AV
		1.40	II	1810	3	6120	Y	B	25	AV
		1.80	III	1810	3	6125	Y	C	25	AV
60.3	2930	1.01	I	1530	3	6115	Y	A	29	AV
		1.36	II	1880	3	6120	Y	B	29	AV
		1.71	III	1880	3	6125	Y	C	29	AV
		2.04	III	2210	3	6130	Y	C	29	AV
50.0	3530	0.82	-	1620	3	6115	Y		35	AV
		1.13	I	1980	3	6120	Y	A	35	AV
		1.45	II	1980	3	6125	Y	B	35	AV
		1.69	III	2310	3	6130	Y	C	35	AV
		1.93	III	2310	3	6135	Y	C	35	AV
40.7	4340	1.08	I	2110	3	6125	Y	A	43	AV
		1.36	II	2490	3	6130	Y	B	43	AV
		1.71	III	2490	3	6135	Y	C	43	AV
		1.79	III	3570	3	6140	Y	C	43	AV

Dimensions Pages

Foot Mount (H) 4.2–4.29

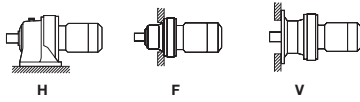
V-Flange (V) 4.30–4.43

F-Flange (F) 4.44–4.65

Gearmotors

Selection Tables

60 Hz Frame Size Selection Tables



3 HP

60 Hz, 1750 RPM

Dimensions Pages	
Foot Mount (H)	4.2–4.29
V-Flange (V)	4.30–4.43
F-Flange (F)	4.44–4.65

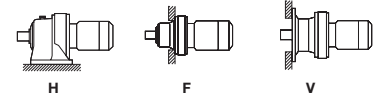
Output Speed RPM	Output Torque In•lbs	Service Factor		Overhung Load lbs	SELECTION					Option Inverter Duty
		SF	AGMA Class		HP Symbol	Frame Size	Shaft Spec.	AGMA Class	Ratio	
34.3	5150	1.04	I	2190	3	6125	Y	A	51	AV
		1.33	II	2580	3	6135	Y	B	51	AV
		1.56	II	3590	3	6140	Y	B	51	AV
		1.92	III	3590	3	6145	Y	C	51	AV
		2.61	III	4510	3	6160	Y	C	51	AV
29.7	5950	1.15	I	2720	3	6135	Y	A	59	AV
		1.34	II	3590	3	6140	Y	B	59	AV
		1.66	III	3590	3	6145	Y	C	59	AV
		2.01	III	4960	3	6160	Y	C	59	AV
24.6	7170	0.98	-	2870	3	6135	Y		71	AV
		1.10	I	3590	3	6140	Y	A	71	AV
		1.38	II	3590	3	6145	Y	B	71	AV
		1.58	II	4960	3	6160	Y	B	71	AV
20.1	8780	1.13	I	3590	3	6145	Y	A	87	AV
		1.58	II	4960	3	6160	Y	B	87	AV
		1.77	III	4960	3	6165	Y	C	87	AV
		-	-	3300	3	6130DC	Y		104	-
16.8	6900	-	-	3300	3	6135DC	Y		104	-
	8320	-	-	3300	3	6160DC	Y	B	104	AV
	9910	1.57	II	4960	3	6165DC	Y	C	104	AV
	9910	1.87	III	4960	3	6170DC	Y	C	104	AV
14.5	8320	-	-	3300	3	6175DC	Y	C	104	AV
	11600	1.34	II	4960	3	6135DC	Y		121	-
	11600	1.60	III	4960	3	6160DC	Y	B	121	AV
	11600	1.94	III	6620	3	6165DC	Y	C	121	AV
	11600	2.41	III	6620	3	6170DC	Y	C	121	AV
12.2	13700	1.14	I	4960	3	6175DC	Y	C	121	AV
		1.36	II	4960	3	6160DC	Y	A	143	AV
		1.63	III	6620	3	6165DC	Y	B	143	AV
		2.04	III	6620	3	6170DC	Y	C	143	AV
		2.63	III	9360	3	6175DC	Y	C	143	AV
10.6	15600	-	-	4960	3	6180DB	Y	C	143	AV
	15700	1.18	I	4960	3	6160DC	Y		165	AV
	15700	1.42	II	6620	3	6165DC	Y	A	165	AV
	15700	1.77	III	6620	3	6170DC	Y	B	165	AV
	15700	2.28	III	9360	3	6175DC	Y	C	165	AV
8.97	15600	-	-	4960	3	6180DB	Y	C	165	AV
	18700	1.00	I	4960	3	6160DC	Y		195	AV
	18700	1.50	II	6620	3	6165DC	Y	A	195	AV
	18700	1.93	III	9360	3	6175DC	Y	B	195	AV
	18700	2.34	III	9360	3	6180DB	Y	C	195	AV
7.58	15600	-	-	4960	3	6185DB	Y	C	195	AV
	18600	-	-	4960	3	6160DC	Y		231	AV
	22100	1.26	I	6620	3	6165DC	Y		231	AV
	22100	1.62	III	9360	3	6175DC	Y	A	231	AV
	22100	2.00	III	9360	3	6180DB	Y	C	231	AV
22100	2.56	III	13200	3	6185DB	Y	C	231	AV	
					3	6190DA	Y	C	231	AV

Gearmotors

Selection Tables

Frame Size Selection Tables 60 Hz

3 HP 60 Hz, 1750 RPM

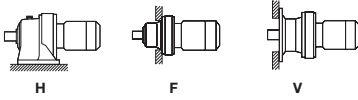


Output Speed	Output Torque	Service Factor		Overhung Load	SELECTION					Option	
		RPM	In•lbs		SF	AGMA Class	lbs	HP Symbol	Frame Size		Shaft Spec.
6.41	18600	-	-	4960	3	6165DC	Y			273	AV
	22400	-	-	6620	3	6170DC	Y			273	AV
	26100	1.07	I	6620	3	6175DC	Y	A		273	AV
	26100	1.37	II	9360	3	6180DB	Y	B		273	AV
	26100	1.69	III	9360	3	6185DB	Y	C		273	AV
	26100	2.16	III	13200	3	6190DA	Y	C		273	AV
5.49	22400	-	-	6620	3	6170DC	Y			319	AV
	27900	-	-	6620	3	6175DC	Y			319	AV
	30500	1.17	I	9360	3	6180DB	Y	A		319	AV
	30500	1.45	II	9360	3	6185DB	Y	B		319	AV
	30500	1.85	III	13200	3	6190DA	Y	C		319	AV
	30500	2.31	III	13200	3	6195DA	Y	C		319	AV
4.64	27900	-	-	6620	3	6175DC	Y			377	AV
	35800	-	-	9360	3	6180DB	Y			377	AV
	36000	1.23	I	9360	3	6185DB	Y	A		377	AV
	36000	1.57	II	13200	3	6190DA	Y	B		377	AV
	36000	1.95	III	13200	3	6195DA	Y	C		377	AV
	36000	2.27	III	18900	3	6205DB	Y	C		377	AV
3.70	35900	-	-	9360	3	6180DB	Y			473	AV
	45200	0.98	-	9360	3	6185DB	Y			473	AV
	45200	1.25	I	13200	3	6190DA	Y	A		473	AV
	45200	1.56	II	13200	3	6195DA	Y	B		473	AV
	45200	1.82	III	18900	3	6205DB	Y	C		473	AV
	45200	2.48	III	23400	3	6215DA	Y	C		473	AV
3.13	44200	-	-	9360	3	6185DB	Y			559	AV
	53400	1.06	I	13200	3	6190DA	Y	A		559	AV
	53400	1.32	II	13200	3	6195DA	Y	B		559	AV
	53400	2.09	III	23400	3	6215DA	Y	C		559	AV
	53400	2.65	III	32600	3	6225DA	Y	C		559	AV
2.70	44200	-	-	9340	3	6185DB	Y			649	AV
	56500	-	-	13200	3	6190DA	Y			649	AV
	62000	1.14	I	13100	3	6195DA	Y	A		649	AV
	62000	1.33	II	18900	3	6205DB	Y	B		649	AV
	62000	1.80	III	23400	3	6215DA	Y	C		649	AV
	62000	2.26	III	32600	3	6225DA	Y	C		649	AV
2.39	56500	-	-	13200	3	6190DA	Y			731	AV
	69900	1.01	I	13200	3	6195DA	Y	A		731	AV
	69900	1.18	I	18900	3	6205DB	Y	A		731	AV
	69900	1.60	III	23400	3	6215DA	Y	C		731	AV
	69900	2.03	III	32600	3	6225DA	Y	C		731	AV
	69900	2.60	III	40200	3	6235DA	Y	C		731	AV
2.08	56500	-	-	13200	3	6190DA	Y			841	AV
	70400	-	-	13200	3	6195DA	Y			841	AV
	80400	1.02	I	18900	3	6205DA	Y	A		841	AV
	80400	1.39	II	23400	3	6215DA	Y	B		841	AV
	80400	1.65	III	32600	3	6225DA	Y	C		841	AV
	80400	2.08	III	40200	3	6235DA	Y	C		841	AV
	80400	2.84	III	46700	3	6245DA	Y	C		841	AV

Dimensions Pages	
Foot Mount (H)	4.2-4.29
V-Flange (V)	4.30-4.43
F-Flange (F)	4.44-4.65

Gearmotors
Selection
Tables

60 Hz Frame Size Selection Tables

**3 HP**

60 Hz, 1750 RPM

Dimensions Pages

Foot Mount (H) 4.2–4.29

V-Flange (V) 4.30–4.43

F-Flange (F) 4.44–4.65

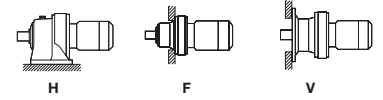
Output Speed RPM	Output Torque In•lbs	Service Factor		Overhung Load lbs	SELECTION					Option Inverter Duty
		SF	AGMA Class		HP Symbol	Frame Size	Shaft Spec.	AGMA Class	Ratio	
1.74	70400	-	-	13000	3	6195DA	Y		1003	AV
	80200	-	-	18900	3	6205DA	Y		1003	AV
	82300	-	-	18900	3	6205DB	Y		1003	AV
	95600	1.17	I	23400	3	6215DA	Y	A	1003	AV
	95600	1.46	II	32600	3	6225DA	Y	B	1003	AV
	95600	1.89	III	40200	3	6235DA	Y	C	1003	-
	95600	2.38	III	46700	3	6245DA	Y	C	1003	-
1.40	82300	-	-	18900	3	6205DA	Y		1247	AV
	112000	-	-	23400	3	6215DA	Y		1247	AV
	119000	1.19	I	32600	3	6225DA	Y	A	1247	AV
	119000	1.52	II	40200	3	6235DA	Y	B	1247	AV
	119000	1.91	III	46700	3	6245DA	Y	C	1247	AV
1.18	100000	-	-	23400	3	6215DA	Y		1479	AV
	134000	-	-	32600	3	6225DA	Y		1479	AV
	142000	1.07	I	40200	3	6235DA	Y	A	1479	-
	142000	1.42	II	46700	3	6245DA	Y	B	1479	-
0.946	142000	-	-	32600	3	6225DA	Y		1849	AV
	177000	1.03	I	40200	3	6235DA	Y	A	1849	AV
	177000	1.29	I	46700	3	6245DA	Y	A	1849	AV
0.847	141000	-	-	32600	3	6225DA	Y		2065	AV
	181000	-	-	40200	3	6235DA	Y		2065	AV
	197000	1.16	I	46700	3	6245DA	Y	A	2065	AV
0.690	181000	-	-	40200	3	6235DA	Y		2537	AV
	228000	-	-	46700	3	6245DA	Y		2537	AV
0.575	152000	-	-	40200	3	6235DA	Y		3045	AV
	200000	-	-	46700	3	6245DA	Y		3045	AV
0.503	181000	-	-	40200	3	6235DA	Y		3481	AV
	228000	-	-	46700	3	6245DA	Y		3481	AV
0.394	152000	-	-	40200	3	6235DA	Y		4437	AV
	200000	-	-	46700	3	6245DA	Y		4437	AV
0.341	181000	-	-	40200	3	6235DA	Y		5133	AV
	228000	-	-	46700	3	6245DA	Y		5133	AV
0.283	152000	-	-	40200	3	6235DA	Y		6177	AV
	200000	-	-	46700	3	6245DA	Y		6177	AV
0.231	152000	-	-	40200	3	6235DA	Y		7569	AV
	200000	-	-	46700	3	6245DA	Y		7569	AV

Gearmotors

Selection
Tables

Frame Size Selection Tables 60 Hz

5 HP 60 Hz, 1750 RPM



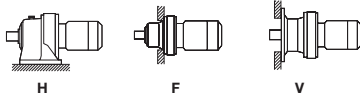
Output Speed RPM	Output Torque In•lbs	Service Factor		Overhung Load lbs	SELECTION					Option Inverter Duty
		SF	AGMA Class		HP Symbol	Frame Size	Shaft Spec.	AGMA Class	Ratio	
583	510	1.37	II	867	5	6120	Y	B	3	AV
		1.57	II	862	5	6125	Y	B	3	AV
350	850	1.37	II	1027	5	6120	Y	B	5	AV
		1.57	II	1020	5	6125	Y	B	5	AV
292	1020	1.06	I	970	5	6115	Y	A	6	-
		1.37	II	1100	5	6120	Y	B	6	AV
		1.57	II	1100	5	6125	Y	B	6	AV
		2.54	III	1260	5	6130	Y	C	6	AV
219	1350	1.06	I	1080	5	6115	Y	A	8	-
		1.37	II	1230	5	6120	Y	B	8	AV
		1.88	III	1230	5	6125	Y	C	8	AV
159	1870	1.06	I	1230	5	6115	Y	A	11	-
		1.37	II	1390	5	6120	Y	B	11	AV
		1.60	III	1390	5	6125	Y	C	11	AV
		2.54	III	1640	5	6130	Y	C	11	AV
135	2200	1.05	I	1270	5	6115	Y	A	13	-
		1.37	II	1440	5	6120	Y	B	13	AV
		1.60	III	1440	5	6125	Y	C	13	AV
		2.54	III	1710	5	6130	Y	C	13	AV
117	2550	1.05	I	1340	5	6115	Y	A	15	-
		1.37	II	1540	5	6120	Y	B	15	AV
		1.60	III	1540	5	6125	Y	C	15	AV
		2.10	III	1740	5	6130	Y	C	15	AV
103	2880	1.05	I	1360	5	6115	Y	A	17	-
		1.53	II	1550	5	6125	Y	B	17	AV
		1.96	III	1870	5	6130	Y	C	17	AV
83.3	3570	0.84	-	1430	5	6115	Y		21	-
		1.07	I	1690	5	6120	Y	A	21	AV
		1.32	II	1700	5	6125	Y	B	21	AV
		1.66	III	2000	5	6130	Y	C	21	AV
		2.04	III	2000	5	6135	Y	C	21	AV
70.0	4250	1.07	I	1770	5	6125	Y	A	25	AV
		1.39	II	2040	5	6130	Y	B	25	AV
		1.61	III	2070	5	6135	Y	C	25	AV
		1.86	III	3100	5	6140	Y	C	25	AV
60.3	4920	1.02	I	1840	5	6125	Y	A	29	AV
		1.21	I	2180	5	6130	Y	A	29	AV
		1.53	II	2180	5	6135	Y	B	29	AV
		1.61	III	3190	5	6140	Y	C	29	AV
		2.04	III	3190	5	6145	Y	C	29	AV
50.0	5940	1.15	I	2290	5	6135	Y	A	35	AV
		1.41	II	3390	5	6140	Y	B	35	AV
		2.04	III	3390	5	6145	Y	C	35	AV
		2.61	III	4020	5	6160	Y	C	35	AV
40.7	7300	1.02	I	2450	5	6135	Y	A	43	AV
		1.46	II	3550	5	6145	Y	B	43	AV
		2.01	III	4310	5	6160	Y	C	43	AV
		2.14	III	4310	5	6165	Y	C	43	AV
34.3	8650	1.14	I	3590	5	6145	Y	A	51	AV
		1.55	II	4470	5	6160	Y	B	51	AV
		2.04	III	4470	5	6165	Y	C	51	AV

Dimensions Pages

Foot Mount (H)	4.2–4.29
V-Flange (V)	4.30–4.43
F-Flange (F)	4.44–4.65

Gearmotors
Selection
Tables

60 Hz Frame Size Selection Tables



5 HP
60 Hz, 1750 RPM

Dimensions Pages	
Foot Mount (H)	4.2–4.29
V-Flange (V)	4.30–4.43
F-Flange (F)	4.44–4.65

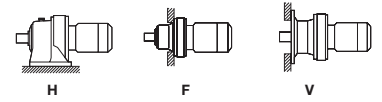
Output Speed RPM	Output Torque In•lbs	Service Factor		Overhung Load lbs	SELECTION					Option Inverter Duty
		SF	AGMA Class		HP Symbol	Frame Size	Shaft Spec.	AGMA Class	Ratio	
29.7	10000	1.19	I	4960	5	6160	Y	A	59	AV
		1.55	II	4960	5	6165	Y	B	59	AV
		1.93	III	5320	5	6170	Y	C	59	AV
24.6	12000	0.94	-	4920	5	6160	Y		71	AV
		1.53	II	4920	5	6165	Y	B	71	AV
		1.60	III	5610	5	6170	Y	C	71	AV
		1.93	III	5610	5	6175	Y	C	71	AV
20.1	14800	1.05	I	4890	5	6165	Y	A	87	AV
		1.52	II	6020	5	6175	Y	B	87	AV
		1.93	III	8130	5	6180	Y	C	87	-
16.8	15600	-	-	4960	5	6160DC	Y		104	AV
	16700	1.11	I	4960	5	6165DC	Y	A	104	AV
	16700	1.34	II	6510	5	6170DC	Y	B	104	AV
	16700	1.67	III	6510	5	6175DC	Y	C	104	AV
	16700	2.15	III	8640	5	6180DB	Y	C	104	AV
14.5	18600	-	-	4960	5	6165DC	Y		121	AV
	19500	1.15	I	6620	5	6170DC	Y	A	121	AV
	19500	1.43	II	6620	5	6175DC	Y	B	121	AV
	19500	1.85	III	9210	5	6180DB	Y	C	121	AV
	19500	2.19	III	9210	5	6185DB	Y	C	121	AV
12.2	22400	-	-	6620	5	6170DC	Y		143	AV
	23000	1.21	I	6620	5	6175DC	Y	A	143	AV
	23000	1.56	II	9360	5	6180DB	Y	B	143	AV
	23000	1.89	III	9360	5	6185DB	Y	C	143	AV
	23000	2.46	III	13200	5	6190DB	Y	C	143	AV
10.6	22400	-	-	6620	5	6170DC	Y		165	AV
	26500	1.05	I	6620	5	6175DC	Y	A	165	AV
	26500	1.35	II	9360	5	6180DB	Y	B	165	AV
	26500	1.64	III	9360	5	6185DB	Y	C	165	AV
	26500	1.69	III	13200	5	6190DA	Y	C	165	AV
	26500	2.13	III	13200	5	6190DB	Y	C	165	AV
8.97	27900	-	-	6620	5	6175DC	Y		195	AV
	31300	1.15	I	9360	5	6180DB	Y	A	195	AV
	31300	1.39	II	9360	5	6185DB	Y	B	195	AV
	31300	1.69	III	13200	5	6190DA	Y	C	195	AV
	31300	2.23	III	13200	5	6195DB	Y	C	195	AV
7.58	35800	-	-	9360	5	6180DB	Y		231	AV
	37200	1.19	I	9360	5	6185DB	Y	A	231	AV
	37200	1.52	II	13200	5	6190DA	Y	B	231	AV
	37200	1.69	III	13200	5	6195DA	Y	C	231	AV
	37200	2.21	III	18900	5	6205DB	Y	C	231	AV
6.41	35800	-	-	9360	5	6180DB	Y		273	AV
	43900	1.01	I	9360	5	6185DB	Y	A	273	AV
	43900	1.29	I	13200	5	6190DA	Y	A	273	AV
	43900	1.60	III	13200	5	6195DA	Y	C	273	AV
	43900	2.52	III	23400	5	6215DA	Y	C	273	AV
5.49	44200	-	-	9360	5	6185DB	Y		319	AV
	51300	1.10	I	13200	5	6190DA	Y	A	319	AV
	51300	1.37	II	13200	5	6195DA	Y	B	319	AV
	51300	1.59	II	18900	5	6205DB	Y	B	319	AV
	51300	2.18	III	23400	5	6215DA	Y	C	319	AV

Gearmotors

Selection Tables

Frame Size Selection Tables 60 Hz

5 HP 60 Hz, 1750 RPM



Output Speed	Output Torque	Service Factor		Overhung Load	SELECTION					Option
		SF	AGMA Class		HP Symbol	Frame Size	Shaft Spec.	AGMA Class	Ratio	
4.64	56500	-	-	13200	5	6190DA	Y		377	AV
	60600	1.16	I	13200	5	6195DA	Y	A	377	AV
	60600	1.17	I	18900	5	6205DA	Y	A	377	AV
	60600	1.35	II	18900	5	6205DB	Y	B	377	AV
	60600	1.85	III	23400	5	6215DA	Y	C	377	AV
	60600	2.20	III	32600	5	6225DA	Y	C	377	AV
3.70	70400	-	-	13200	5	6195DB	Y		473	AV
	76100	0.90	-	18900	5	6205DA	Y		473	AV
	76100	1.08	I	18900	5	6205DB	Y	A	473	AV
	76100	1.47	II	23400	5	6215DA	Y	B	473	AV
	76100	1.86	III	32600	5	6225DA	Y	C	473	AV
	76100	2.38	III	40200	5	6235DA	Y	C	473	-
3.13	90200	1.25	I	23400	5	6215DA	Y	A	559	AV
		1.58	II	32600	5	6225DA	Y	B	559	AV
		2.02	III	40200	5	6235DA	Y	C	559	-
		2.54	III	46700	5	6245DA	Y	C	559	-
2.70	104000	1.07	I	23400	5	6215DA	Y	A	649	AV
		1.35	II	32600	5	6225DA	Y	B	649	AV
		1.74	III	40200	5	6235DA	Y	C	649	-
		2.19	III	46700	5	6245DA	Y	C	649	-
2.39	112000	-	-	23400	5	6215DA	Y		731	AV
	118000	1.20	I	32600	5	6225DA	Y	A	731	AV
	118000	1.54	II	40200	5	6235DA	Y	B	731	AV
	118000	1.94	III	46700	5	6245DA	Y	C	731	AV
	118000	2.60	III	57900	5	6255DA	Y	C	731	-
2.08	112000	-	-	23400	5	6215DA	Y		841	AV
	135000	0.98	-	32600	5	6225DA	Y		841	AV
	135000	1.24	I	40200	5	6235DA	Y	A	841	AV
	135000	1.69	III	46700	5	6245DA	Y	C	841	AV
	135000	2.13	III	57900	5	6255DA	Y	C	841	-
1.74	141000	-	-	32600	5	6225DA	Y		1003	AV
	161000	1.12	I	40200	5	6235DA	Y	A	1003	AV
	161000	1.42	II	46700	5	6245DA	Y	B	1003	AV
	161000	1.89	III	57900	5	6255DA	Y	C	1003	-
1.40	181000	-	-	40200	5	6235DA	Y		1247	AV
	201000	1.14	I	46700	5	6245DA	Y	A	1247	AV
	201000	1.52	II	57900	5	6255DA	Y	B	1247	-
1.18	200000	-	-	46700	5	6245DA	Y		1479	AV
	238000	1.15	I	57900	5	6255DA	Y	A	1479	-
0.946	297000	1.03	I	57900	5	6255DA	Y	A	1849	AV
0.847	305000	-	-	57900	5	6255DA	Y		2065	-
0.690	305000	-	-	57900	5	6255DA	Y		2537	AV
0.575	274000	-	-	57900	5	6255DA	Y		3045	-
0.503	305000	-	-	57900	5	6255DA	Y		3481	AV
0.394	274000	-	-	57900	5	6255DA	Y		4437	AV
0.341	305000	-	-	57900	5	6255DA	Y		5133	AV
0.283	274000	-	-	57900	5	6255DA	Y		6177	AV
0.231	274000	-	-	57900	5	6255DA	Y		7569	AV

Dimensions Pages

Foot Mount (H) 4.2-4.29

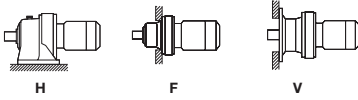
V-Flange (V) 4.30-4.43

F-Flange (F) 4.44-4.65

Gearmotors

Selection Tables

60 Hz Frame Size Selection Tables



7.5 HP
60 Hz, 1750 RPM

Dimensions Pages

Foot Mount (H) 4.2–4.29

V-Flange (V) 4.30–4.43

F-Flange (F) 4.44–4.65

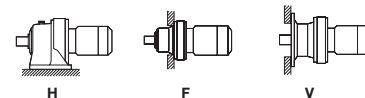
Output Speed RPM	Output Torque In•lbs	Service Factor		Overhung Load lbs	SELECTION					Option Inverter Duty
		SF	AGMA Class		HP Symbol	Frame Size	Shaft Spec.	AGMA Class	Ratio	
583	758	1.06	I	862	8	6125	Y	A	3	-
		1.71	III	997	8	6130	Y	C	3	AV
		2.05	III	983	8	6135	Y	C	3	AV
350	1265	1.06	I	1020	8	6125	Y	A	5	-
		1.71	III	1180	8	6130	Y	C	5	AV
		2.05	III	1166	8	6135	Y	C	5	AV
292	1510	1.06	I	1090	8	6125	Y	A	6	-
		1.71	III	1280	8	6130	Y	C	6	AV
		2.05	III	1280	8	6135	Y	C	6	AV
219	2020	1.26	I	1210	8	6125	Y	A	8	-
		1.71	III	1430	8	6130	Y	C	8	AV
		2.05	III	1430	8	6135	Y	C	8	AV
159	2780	1.08	I	1370	8	6125	Y	A	11	-
		1.71	III	1630	8	6130	Y	C	11	AV
		2.05	III	1630	8	6135	Y	C	11	AV
135	3280	1.08	I	1410	8	6125	Y	A	13	-
		1.71	III	1690	8	6130	Y	C	13	AV
		2.05	III	1690	8	6135	Y	C	13	AV
117	3790	1.08	I	1510	8	6125	Y	A	15	-
		1.41	II	1720	8	6130	Y	B	15	AV
		1.63	III	1720	8	6135	Y	C	15	AV
		2.18	III	2650	8	6140	Y	C	15	AV
103	4290	1.03	I	1520	8	6125	Y	A	17	-
		1.51	II	1850	8	6135	Y	B	17	AV
		1.84	III	2760	8	6140	Y	C	17	AV
83.3	5300	0.89	-	1660	8	6125	Y		21	-
		1.12	I	1970	8	6130	Y	A	21	AV
		1.37	II	1970	8	6135	Y	B	21	AV
		1.57	II	2940	8	6140	Y	B	21	AV
		2.00	III	2940	8	6145	Y	C	21	AV
70.0	6310	2.35	III	3460	8	6160	Y	C	21	AV
		1.08	I	2040	8	6135	Y	A	25	AV
		1.44	II	3100	8	6145	Y	B	25	AV
		1.79	III	3610	8	6160	Y	C	25	AV
		1.03	I	2130	8	6135	Y	A	29	AV
60.3	7320	1.08	I	3170	8	6140	Y	A	29	AV
		1.37	II	3170	8	6145	Y	B	29	AV
		1.91	III	3770	8	6160	Y	C	29	AV
		2.07	III	3770	8	6165	Y	C	29	AV
		0.95	-	3370	8	6140	Y		35	AV
50.0	8830	1.37	II	3370	8	6145	Y	B	35	AV
		1.76	III	4000	8	6160	Y	C	35	AV
		2.07	III	4000	8	6165	Y	C	35	AV
		2.18	III	4540	8	6170	Y	C	35	AV
		0.98	-	3500	8	6145	Y		43	AV
40.7	10900	1.35	II	4240	8	6160	Y	B	43	AV
		1.44	II	4240	8	6165	Y	B	43	AV
		1.77	III	4830	8	6170	Y	C	43	AV
		2.05	III	4830	8	6175	Y	C	43	AV

Gearmotors

Selection Tables

Frame Size Selection Tables 60 Hz

7.5 HP 60 Hz, 1750 RPM



Output Speed RPM	Output Torque In•lbs	Service Factor		Overhung Load lbs	SELECTION					Option Inverter Duty
		SF	AGMA Class		HP Symbol	Frame Size	Shaft Spec.	AGMA Class	Ratio	
34.3	12800	1.05	I	4400	8	6160	Y	A	51	AV
		1.37	II	4400	8	6165	Y	B	51	AV
		1.53	II	5030	8	6170	Y	B	51	AV
		2.05	III	5030	8	6175	Y	C	51	AV
29.7	14900	1.05	I	4870	8	6165	Y	A	59	AV
		1.51	II	5250	8	6175	Y	B	59	AV
		1.77	III	7050	8	6180	Y	C	59	AV
24.6	17900	1.03	I	4850	8	6165	Y	A	71	AV
		1.30	II	5550	8	6175	Y	B	71	AV
		1.60	III	7500	8	6180	Y	C	71	AV
		1.78	III	7500	8	6185	Y	C	71	AV
20.1	21900	1.02	I	5930	8	6175	Y	A	87	AV
		1.56	II	8060	8	6185	Y	B	87	AV
		2.15	III	11300	8	6190	Y	C	87	-
16.8	18600	-	-	4960	8	6165DC	Y		104	-
	22400	-	-	6420	8	6170DC	Y		104	-
	24900	1.12	I	6400	8	6175DC	Y	A	104	-
	24900	1.45	II	8580	8	6180DB	Y	B	104	AV
	24900	1.74	III	8580	8	6185DB	Y	C	104	AV
	24900	2.17	III	12000	8	6190DB	Y	C	104	AV
14.5	22400	-	-	6620	8	6170DC	Y		121	-
	28900	0.96	-	6620	8	6175DC	Y		121	-
	28900	1.24	I	9120	8	6180DB	Y	A	121	AV
	28900	1.47	II	9120	8	6185DB	Y	B	121	AV
	28900	1.95	III	12800	8	6190DB	Y	C	121	AV
	28900	2.17	III	12800	8	6195DB	Y	C	121	AV
	28900	2.17	III	12800	8	6195DB	Y	C	121	AV
12.2	27900	-	-	6620	8	6175DC	Y		143	-
	34200	1.27	I	9360	8	6185DB	Y	A	143	AV
	34200	1.65	III	13200	8	6190DB	Y	C	143	AV
	34200	1.97	III	13200	8	6195DB	Y	C	143	AV
10.6	27900	-	-	6620	8	6175DC	Y		165	-
	35900	-	-	9360	8	6180DB	Y		165	AV
	39500	1.10	I	9360	8	6185DB	Y	A	165	AV
	39500	1.14	I	13200	8	6190DA	Y	A	165	-
	39500	1.43	II	13200	8	6190DB	Y	B	165	AV
	39500	1.77	III	13200	8	6195DB	Y	C	165	AV
	39500	2.08	III	18900	8	6205DB	Y	C	165	AV
	39500	2.74	III	23400	8	6215DA	Y	C	165	AV
8.97	35900	-	-	9360	8	6180DB	Y		195	AV
	43500	-	-	9360	8	6185DB	Y		195	AV
	46600	1.14	I	13200	8	6190DA	Y	A	195	-
	46600	1.50	II	13200	8	6195DB	Y	B	195	AV
	46600	1.76	III	18900	8	6205DB	Y	C	195	AV
	46600	2.17	III	23400	8	6215DA	Y	C	195	AV
7.58	44200	-	-	9360	8	6185DB	Y		231	AV
	55200	1.14	I	13200	8	6195DA	Y	A	231	-
	55200	1.28	I	13200	8	6195DB	Y	A	231	AV
	55200	1.49	II	18900	8	6205DB	Y	B	231	AV
	55200	2.00	III	23400	8	6215DA	Y	C	231	AV
	55200	2.17	III	29600	8	6225DA	Y	C	231	AV

Dimensions Pages

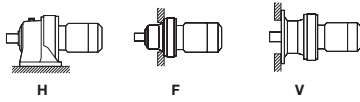
Foot Mount (H) 4.2–4.29

V-Flange (V) 4.30–4.43

F-Flange (F) 4.44–4.65

Gearmotors
Selection
Tables

60 Hz Frame Size Selection Tables



7.5 HP
60 Hz, 1750 RPM

Dimensions Pages	
Foot Mount (H)	4.2–4.29
V-Flange (V)	4.30–4.43
F-Flange (F)	4.44–4.65

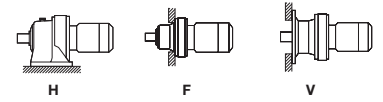
Output Speed RPM	Output Torque In•lbs	Service Factor		Overhung Load lbs	SELECTION					Option Inverter Duty
		SF	AGMA Class		HP Symbol	Frame Size	Shaft Spec.	AGMA Class	Ratio	
6.41	44200	-	-	9360	8	6185DB	Y		273	AV
	56500	-	-	13200	8	6190DA	Y		273	-
	65200	1.08	I	13200	8	6195DA	Y	A	273	-
	65200	1.26	I	18900	8	6205DB	Y	A	273	AV
	65200	1.70	III	23400	8	6215DA	Y	C	273	AV
	65200	2.01	III	31000	8	6225DA	Y	C	273	AV
	65200	2.56	III	38600	8	6235DA	Y	C	273	AV
5.49	56500	-	-	13200	8	6190DA	Y		319	-
	70400	-	-	13200	8	6195DA	Y		319	-
	76300	1.07	I	18900	8	6205DB	Y	A	319	AV
	76300	1.47	II	23400	8	6215DA	Y	B	319	AV
	76300	1.75	III	32100	8	6225DA	Y	C	319	AV
	76300	2.19	III	40200	8	6235DA	Y	C	319	AV
4.64	70400	-	-	13200	8	6195DA	Y		377	-
	71000	-	-	18900	8	6205DA	Y		377	-
	90200	1.24	I	23400	8	6215DA	Y	A	377	AV
	90200	1.47	II	32600	8	6225DA	Y	B	377	AV
	90200	1.86	III	40200	8	6235DA	Y	C	377	AV
	90200	2.53	III	46700	8	6245DA	Y	C	377	AV
3.70	113000	0.98	-	23400	8	6215DA	Y		473	AV
		1.25	I	32600	8	6225DA	Y	A	473	AV
		1.60	III	40200	8	6235DA	Y	C	473	AV
		2.02	III	46700	8	6245DA	Y	C	473	AV
		2.70	III	57900	8	6255DA	Y	C	473	-
3.13	112000	-	-	23400	8	6215DA	Y		559	AV
	134000	1.06	I	32600	8	6225DA	Y	A	559	AV
	134000	1.36	II	40200	8	6235DA	Y	B	559	AV
	134000	1.71	III	46700	8	6245DA	Y	C	559	AV
	134000	2.28	III	57900	8	6255DA	Y	C	559	-
2.70	112000	-	-	23400	8	6215DA	Y		649	AV
	141000	-	-	32600	8	6225DA	Y		649	AV
	155000	1.17	I	40200	8	6235DA	Y	A	649	AV
	155000	1.47	II	46700	8	6245DA	Y	B	649	AV
	155000	1.97	III	57900	8	6255DA	Y	C	649	-
	155000	2.62	III	62000	8	6265DA	Y	C	649	-
2.39	142000	-	-	32600	8	6225DA	Y		731	AV
	174000	1.04	I	40200	8	6235DA	Y	A	731	AV
	174000	1.31	II	46700	8	6245DA	Y	B	731	AV
	174000	1.75	III	57900	8	6255DA	Y	C	731	-
	174000	2.33	III	62000	8	6265DA	Y	C	731	-
2.08	167000	-	-	40200	8	6235DA	Y		841	AV
	201000	1.14	I	46700	8	6245DA	Y	A	841	AV
	201000	1.43	II	57900	8	6255DA	Y	B	841	AV
	201000	2.02	III	62000	8	6265DA	Y	C	841	-
1.74	181000	-	-	40200	8	6235DA	Y		1003	AV
	240000	0.95	-	46700	8	6245DA	Y		1003	AV
	240000	1.27	I	57900	8	6255DA	Y	A	1003	-
	240000	1.70	III	62000	8	6265DA	Y	C	1003	-

Gearmotors

Selection Tables

Frame Size Selection Tables 60 Hz

7.5 HP 60 Hz, 1750 RPM



Output Speed RPM	Output Torque In•lbs	Service Factor		Overhung Load lbs	SELECTION					Option Inverter Duty
		SF	AGMA Class		HP Symbol	Frame Size	Shaft Spec.	AGMA Class	Ratio	
1.40	228000	-	-	46700	8	6245DA	Y		1247	AV
	298000	1.02	I	57900	8	6255DA	Y	A	1247	AV
	298000	1.37	II	62000	8	6265DA	Y	B	1247	-
1.18	274000	-	-	57900	8	6255DA	Y		1479	-
	354000	1.10	I	62000	8	6265DA	Y	A	1479	-
0.946	305000	-	-	57900	8	6255DA	Y		1849	AV
	407000	-	-	62000	8	6265DA	Y		1849	-
0.847	407000	-	-	62000	8	6265DA	Y		2065	-
0.690	407000	-	-	62000	8	6265DA	Y		2537	-
0.575	389000	-	-	62000	8	6265DA	Y		3045	-
0.503	407000	-	-	62000	8	6265DA	Y		3481	-
0.394	389000	-	-	62000	8	6265DA	Y		4437	-
0.341	407000	-	-	62000	8	6265DA	Y		5133	-
0.283	389000	-	-	62000	8	6265DA	Y		6177	-
0.231	389000	-	-	62000	8	6265DA	Y		7569	-

Dimensions Pages

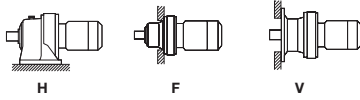
Foot Mount (H)	4.2-4.29
V-Flange (V)	4.30-4.43
F-Flange (F)	4.44-4.65

Gearmotors
Selection Tables

10 HP 60 Hz, 1750 RPM

Output Speed RPM	Output Torque In•lbs	Service Factor		Overhung Load lbs	SELECTION					Option Inverter Duty
		SF	AGMA Class		HP Symbol	Frame Size	Shaft Spec.	AGMA Class	Ratio	
583	1035	1.25	I	997	10	6130	Y	A	3	AV
		1.51	II	983	10	6135	Y	B	3	AV
		1.73	III	1560	10	6140	Y	C	3	AV
		2.01	III	1550	10	6145	Y	C	3	AV
350	1725	1.25	I	1180	10	6130	Y	A	5	AV
		1.51	II	1166	10	6135	Y	B	5	AV
		1.73	III	1850	10	6140	Y	C	5	AV
		2.01	III	1840	10	6145	Y	C	5	AV
292	2060	1.25	I	1270	10	6130	Y	A	6	AV
		1.51	II	1270	10	6135	Y	B	6	AV
		1.73	III	1980	10	6140	Y	C	6	AV
		2.01	III	1980	10	6145	Y	C	6	AV
219	2750	1.25	I	1410	10	6130	Y	A	8	AV
		1.51	II	1410	10	6135	Y	B	8	AV
		1.73	III	2200	10	6140	Y	C	8	AV
		2.01	III	2200	10	6145	Y	C	8	AV
159	3790	1.25	I	1610	10	6130	Y	A	11	AV
		1.51	II	1610	10	6135	Y	B	11	AV
		1.73	III	2470	10	6140	Y	C	11	AV
		2.01	III	2470	10	6145	Y	C	11	AV
135	4470	1.25	I	1670	10	6130	Y	A	13	AV
		1.51	II	1670	10	6135	Y	B	13	AV
		1.73	III	2510	10	6140	Y	C	13	AV
		2.01	III	2510	10	6145	Y	C	13	AV

60 Hz Frame Size Selection Tables



10 HP
60 Hz, 1750 RPM

Dimensions Pages

Foot Mount (H) 4.2–4.29

V-Flange (V) 4.30–4.43

F-Flange (F) 4.44–4.65

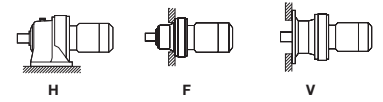
Output Speed RPM	Output Torque In•lbs	Service Factor		Overhung Load lbs	SELECTION					Option Inverter Duty
		SF	AGMA Class		HP Symbol	Frame Size	Shaft Spec.	AGMA Class	Ratio	
117	5160	1.20	I	1700	10	6135	Y	A	15	AV
		1.60	III	2630	10	6140	Y	C	15	AV
		2.01	III	2630	10	6145	Y	C	15	AV
103	5850	1.11	I	1820	10	6135	Y	A	17	AV
		1.35	II	2740	10	6140	Y	B	17	AV
		1.60	III	2740	10	6145	Y	C	17	AV
		1.75	III	3210	10	6160	Y	C	17	AV
83.3	7230	1.00	I	1930	10	6135	Y	A	21	AV
		1.47	II	2940	10	6145	Y	B	21	AV
		1.72	III	3440	10	6160	Y	C	21	AV
		2.15	III	3440	10	6165	Y	C	21	AV
70.0	8600	1.05	I	3080	10	6145	Y	A	25	AV
		1.31	II	3570	10	6160	Y	B	25	AV
		2.01	III	3570	10	6165	Y	C	25	AV
60.3	10000	1.00	I	3140	10	6145	Y	A	29	AV
		1.52	II	3730	10	6165	Y	B	29	AV
		1.91	III	4240	10	6170	Y	C	29	AV
50.0	12000	1.00	I	3350	10	6145	Y	A	35	AV
		1.52	II	3930	10	6165	Y	B	35	AV
		1.60	III	4490	10	6170	Y	C	35	AV
		2.01	III	4490	10	6175	Y	C	35	AV
40.7	14800	1.05	I	4180	10	6165	Y	A	43	AV
		1.51	II	4780	10	6175	Y	B	43	AV
		2.01	III	6490	10	6180	Y	C	43	AV
34.3	17500	1.00	I	4330	10	6165	Y	A	51	AV
		1.12	I	4960	10	6170	Y	A	51	AV
		1.51	II	4960	10	6175	Y	B	51	AV
		1.60	III	6710	10	6180	Y	C	51	AV
		2.01	III	6710	10	6185	Y	C	51	AV
29.7	20300	1.11	I	5190	10	6175	Y	A	59	AV
		1.30	II	7010	10	6180	Y	B	59	AV
		1.60	III	7010	10	6185	Y	C	59	AV
		2.04	III	9880	10	6190	Y	C	59	-
24.6	24400	0.95	-	5460	10	6175	Y		71	AV
		1.17	I	7430	10	6180	Y	A	71	AV
		1.31	II	7430	10	6185	Y	B	71	AV
		1.80	III	10500	10	6190	Y	C	71	-
20.1	29900	1.15	I	7990	10	6185	Y	A	87	AV
		1.57	II	11300	10	6190	Y	B	87	-
		1.81	III	11300	10	6195	Y	C	87	-
16.8	33900	1.28	I	8490	10	6185DB	Y	A	104	AV
		1.59	II	11900	10	6195DB	Y	B	104	AV
14.5	35900	-	-	9050	10	6180DB	Y		121	AV
	39500	1.08	I	9000	10	6185DB	Y	A	121	AV
	39500	1.43	II	12700	10	6190DB	Y	B	121	AV
	39500	1.59	II	12700	10	6195DB	Y	B	121	AV
	39500	2.55	III	22900	10	6215DB	Y	C	121	AV
12.2	35900	-	-	9360	10	6180DB	Y		143	AV
	43400	-	-	9360	10	6185DB	Y		143	AV
	46600	1.21	I	13200	10	6190DB	Y	A	143	AV
	46600	1.45	II	13200	10	6195DB	Y	B	143	AV

Gearmotors

Selection
Tables

Frame Size Selection Tables 60 Hz

10 HP 60 Hz, 1750 RPM



Output Speed	Output Torque	Service Factor		Overhung Load	SELECTION					Option
		RPM	In•lbs		SF	AGMA Class	lbs	HP Symbol	Frame Size	
10.6	43500	-	-	9360	10	6185DB	Y		165	AV
	53800	1.05	I	13200	10	6190DB	Y	A	165	AV
	53800	1.30	II	13200	10	6195DB	Y	B	165	AV
	53800	1.59	II	23400	10	6215DA	Y	B	165	AV
	53800	2.00	III	23400	10	6215DB	Y	C	165	AV
	53800	2.38	III	26300	10	6225DB	Y	C	165	-
8.97	56500	-	-	13200	10	6190DB	Y		195	AV
	63500	1.10	I	13200	10	6195DB	Y	A	195	AV
	63500	1.29	I	18900	10	6205DB	Y	A	195	AV
	63500	1.59	II	23400	10	6215DA	Y	B	195	AV
	63500	2.02	III	27600	10	6225DB	Y	C	195	-
	63500	2.73	III	34400	10	6235DA	Y	C	195	AV
7.58	56500	-	-	13200	10	6190DB	Y		231	AV
	70400	-	-	13200	10	6195DB	Y		231	AV
	75300	1.09	I	18900	10	6205DB	Y	A	231	AV
	75300	1.47	II	23400	10	6215DA	Y	B	231	AV
	75300	1.59	II	29400	10	6225DA	Y	B	231	AV
	75300	2.22	III	36800	10	6235DA	Y	C	231	AV
6.41	70400	-	-	13200	10	6195DB	Y		273	AV
	82000	-	-	18900	10	6205DB	Y		273	AV
	89400	1.24	I	23400	10	6215DA	Y	A	273	AV
	89400	1.47	II	30800	10	6225DA	Y	B	273	AV
	89400	1.88	III	38600	10	6235DA	Y	C	273	AV
	89400	2.57	III	42900	10	6245DA	Y	C	273	AV
5.49	104000	1.08	I	23400	10	6215DA	Y	A	319	AV
		1.28	I	32100	10	6225DA	Y	A	319	AV
		1.61	III	40200	10	6235DA	Y	C	319	AV
		2.20	III	44700	10	6245DA	Y	C	319	AV
4.64	112000	-	-	23400	10	6215DA	Y		377	AV
	123000	1.08	I	32600	10	6225DA	Y	A	377	AV
	123000	1.36	II	40200	10	6235DA	Y	B	377	AV
	123000	1.86	III	46700	10	6245DA	Y	C	377	AV
	123000	2.34	III	57700	10	6255DA	Y	C	377	-
3.70	142000	-	-	32600	10	6225DA	Y		473	AV
	154000	1.18	I	40200	10	6235DA	Y	A	473	AV
	154000	1.48	II	46700	10	6245DA	Y	B	473	AV
	154000	1.98	III	57900	10	6255DA	Y	C	473	-
	154000	2.64	III	62000	10	6265DA	Y	C	473	-
3.13	142000	-	-	32600	10	6225DA	Y		559	AV
	182000	1.00	I	40200	10	6235DA	Y	A	559	AV
	182000	1.25	I	46700	10	6245DA	Y	A	559	AV
	182000	1.68	III	57900	10	6255DA	Y	C	559	-
	182000	2.23	III	62000	10	6265DA	Y	C	559	-
2.70	181000	-	-	40200	10	6235DA	Y		649	AV
	211000	1.08	I	46700	10	6245DA	Y	A	649	AV
	211000	1.44	II	57900	10	6255DA	Y	B	649	-
	211000	1.92	III	62000	10	6265DA	Y	C	649	-
	211000	2.85	III	55700	10	6275DA	Y	C	649	-

Dimensions Pages

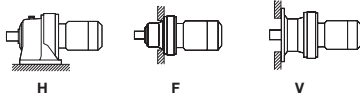
Foot Mount (H) 4.2–4.29

V-Flange (V) 4.30–4.43

F-Flange (F) 4.44–4.65

Gearmotors
Selection Tables

60 Hz Frame Size Selection Tables



10 HP
60 Hz, 1750 RPM

Dimensions Pages

Foot Mount (H) 4.2–4.29

V-Flange (V) 4.30–4.43

F-Flange (F) 4.44–4.65

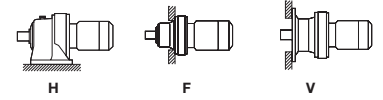
Output Speed RPM	Output Torque In•lbs	Service Factor		Overhung Load lbs	SELECTION					Option Inverter Duty
		SF	AGMA Class		HP Symbol	Frame Size	Shaft Spec.	AGMA Class	Ratio	
2.39	181000	-	-	40200	10	6235DA	Y		731	AV
	228000	-	-	46700	10	6245DA	Y		731	AV
	238000	1.28	I	57900	10	6255DA	Y	A	731	AV
	238000	1.71	III	62000	10	6265DA	Y	C	731	-
	238000	2.53	III	55700	10	6275DA	Y	C	731	-
2.08	228000	-	-	46700	10	6245DA	Y		841	AV
	274000	1.05	I	57900	10	6255DA	Y	A	841	AV
	274000	1.48	II	62000	10	6265DA	Y	B	841	-
	274000	2.20	III	55700	10	6275DA	Y	C	841	-
1.74	305000	-	-	57900	10	6255DA	Y		1003	AV
	326000	1.25	I	62000	10	6265DA	Y	A	1003	-
	326000	1.85	III	55700	10	6275DA	Y	C	1003	-
1.40	305000	-	-	57900	10	6255DA	Y		1247	AV
	406000	1.00	I	62000	10	6265DA	Y	A	1247	-
	406000	1.48	II	55700	10	6275DA	Y	B	1247	-
1.18	389000	-	-	62000	10	6265DA	Y		1479	-
	482000	1.25	I	55700	10	6275DA	Y	A	1479	-
0.946	603000	1.00	I	55700	10	6275DA	Y	A	1849	-
0.847	603000	-	-	55700	10	6275DA	Y		2065	-
0.690	603000	-	-	55700	10	6275DA	Y		2537	-
0.575	603000	-	-	55000	10	6275DA	Y		3045	-
0.503	603000	-	-	55700	10	6275DA	Y		3481	-
0.394	603000	-	-	55000	10	6275DA	Y		4437	-
0.341	603000	-	-	55000	10	6275DA	Y		5133	-
0.283	603000	-	-	55000	10	6275DA	Y		6177	-
0.231	603000	-	-	55000	10	6275DA	Y		7569	-

Gearmotors

Selection
Tables

Frame Size Selection Tables 60 Hz

15 HP 60 Hz, 1750 RPM



Output Speed RPM	Output Torque In•lbs	Service Factor		Overhung Load lbs	SELECTION					Option Inverter Duty ^[1]
		SF	AGMA Class		HP Symbol	Frame Size	Shaft Spec.	AGMA Class	Ratio	
583	1510	1.03	I	983	15	6135	Y	A	3	AV
		1.37	II	1550	15	6145	Y	B	3	AV[H]
		1.85	III	1700	15	6160	Y	C	3	AV[H]
350	2530	1.03	I	1166	15	6135	Y	A	5	AV
		1.37	II	1840	15	6145	Y	B	5	AV[H]
		1.85	III	2020	15	6160	Y	C	5	AV[H]
292	3030	1.03	I	1240	15	6135	Y	A	6	AV
		1.37	II	1970	15	6145	Y	B	6	AV[H]
		1.85	III	2190	15	6160	Y	C	6	AV[H]
219	4030	1.03	I	1380	15	6135	Y	A	8	AV
		1.37	II	2180	15	6145	Y	B	8	AV[H]
		1.79	III	2450	15	6160	Y	C	8	AV[H]
159	5550	1.03	I	1570	15	6135	Y	A	11	AV
		1.37	II	2450	15	6145	Y	B	11	AV[H]
		1.79	III	2760	15	6160	Y	C	11	AV[H]
135	6560	1.03	I	1630	15	6135	Y	A	13	AV
		1.18	I	2490	15	6140	Y	A	13	AV[H]
		1.37	II	2490	15	6145	Y	B	13	AV[H]
		1.79	III	2900	15	6160	Y	C	13	AV[H]
117	7570	0.82	-	1650	15	6135	Y		15	AV
		1.09	I	2600	15	6140	Y	A	15	AV[H]
		1.37	II	2600	15	6145	Y	B	15	AV[H]
		1.70	III	3050	15	6160	Y	C	15	AV[H]
		2.05	III	3050	15	6165	Y	C	15	AV[H]
103	8570	1.09	I	2720	15	6145	Y	A	17	AV[H]
		1.19	I	3170	15	6160	Y	A	17	AV[H]
		1.71	III	3170	15	6165	Y	C	17	AV[H]
		1.79	III	3590	15	6170	Y	C	17	AV
83.3	10600	1.00	I	2900	15	6145	Y	A	21	AV[H]
		1.17	I	3370	15	6160	Y	A	21	AV[H]
		1.46	II	3370	15	6165	Y	B	21	AV[H]
		1.77	III	3860	15	6170	Y	C	21	AV
		2.19	III	3860	15	6175	Y	C	21	AV
70.0	12700	0.90	-	3530	15	6160	Y		25	AV[H]
		1.37	II	3530	15	6165	Y	B	25	AV[H]
		1.44	II	4000	15	6170	Y	B	25	AV
		1.77	III	4000	15	6175	Y	C	25	AV
60.3	14600	1.04	I	3660	15	6165	Y	A	29	AV[H]
		1.30	II	4200	15	6170	Y	B	29	AV
		1.71	III	4200	15	6175	Y	C	29	AV
		1.77	III	5640	15	6180	Y	C	29	AV
50.0	17700	1.04	I	3840	15	6165	Y	A	35	AV[H]
		1.09	I	4420	15	6170	Y	A	35	AV
		1.37	II	4420	15	6175	Y	B	35	AV
		1.71	III	5990	15	6180	Y	C	35	AV
		2.05	III	5990	15	6185	Y	C	35	AV

Dimensions Pages

Foot Mount (H) 4.2–4.29

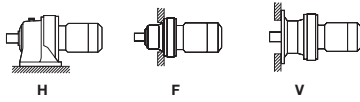
V-Flange (V) 4.30–4.43

F-Flange (F) 4.44–4.65

Gearmotors
Selection
Tables

Note: [1] [H] indicates a high center height unit.

60 Hz Frame Size Selection Tables



15 HP
60 Hz, 1750 RPM

Dimensions Pages	
Foot Mount (H)	4.2–4.29
V-Flange (V)	4.30–4.43
F-Flange (F)	4.44–4.65

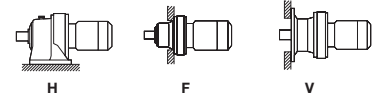
Output Speed RPM	Output Torque In•lbs	Service Factor		Overhung Load lbs	SELECTION					Option Inverter Duty
		SF	AGMA Class		HP Symbol	Frame Size	Shaft Spec.	AGMA Class	Ratio	
40.7	21700	1.03	I	4690	15	6175	Y	A	43	AV
		1.37	II	6420	15	6180	Y	B	43	AV
		1.71	III	6420	15	6185	Y	C	43	AV
		1.90	III	9000	15	6190	Y	C	43	AV
34.3	25700	1.03	I	4870	15	6175	Y	A	51	AV
		1.09	I	6650	15	6180	Y	A	51	AV
		1.37	II	6650	15	6185	Y	B	51	AV
		1.65	III	9410	15	6190	Y	C	51	AV
		1.90	III	9410	15	6195	Y	C	51	AV
29.7	29700	1.09	I	6940	15	6185	Y	A	59	AV
		1.39	II	9810	15	6190	Y	B	59	AV
		1.71	III	9810	15	6195	Y	C	59	AV
		2.05	III	17900	15	6205	Y	C	59	-
24.6	35800	0.89	-	7340	15	6185	Y		71	AV
		1.23	I	10400	15	6190	Y	A	71	AV
		1.42	II	10400	15	6195	Y	B	71	AV
20.1	43900	1.24	I	11200	15	6195	Y	A	87	AV
		1.45	II	18900	15	6205	Y	B	87	-
		1.95	III	20500	15	6215	Y	C	87	-
16.8	35900	-	-	8460	15	6180DB	Y		104	AV
	43400	-	-	8370	15	6185DB	Y		104	AV
	49700	1.08	I	11800	15	6195DB	Y	A	104	AV
14.5	42600	-	-	8980	15	6185DB	Y		121	AV
	56500	-	-	12600	15	6190DB	Y		121	AV
	57900	1.08	I	12600	15	6195DB	Y	A	121	AV
	57900	1.08	I	18900	15	6205DB	Y	A	121	AV
	57900	1.74	III	22900	15	6215DB	Y	C	121	AV
	57900	2.06	III	24200	15	6225DB	Y	C	121	-
12.2	57900	2.31	III	30300	15	6235DA	Y	C	121	AV
	56500	-	-	13100	15	6190DB	Y		143	AV
10.6	68400	0.98	-	13000	15	6195DB	Y		143	AV
	56500	-	-	13200	15	6190DB	Y		165	AV
	70000	-	-	13100	15	6195DB	Y		165	AV
	78800	1.04	I	18900	15	6205DB	Y	A	165	AV
	78800	1.08	I	23400	15	6215DA	Y	A	165	AV
	78800	1.37	II	23400	15	6215DB	Y	B	165	AV
	78800	1.62	III	26300	15	6225DB	Y	C	165	-
78800	2.20	III	32600	15	6235DA	Y	C	165	AV	
8.97	70000	-	-	13100	15	6195DB	Y		195	AV
	82000	-	-	18900	15	6205DB	Y		195	AV
	92900	1.08	I	23400	15	6215DA	Y	A	195	AV
	92900	1.37	II	27400	15	6225DB	Y	B	195	-
	92900	1.86	III	34100	15	6235DA	Y	C	195	AV
92900	2.17	III	38200	15	6245DA	Y	C	195	AV	

Gearmotors

Selection Tables

Frame Size Selection Tables 60 Hz

15 HP 60 Hz, 1750 RPM



Output Speed	Output Torque	Service Factor		Overhung Load	SELECTION					Option	
		RPM	In•lbs		SF	AGMA Class	lbs	HP Symbol	Frame Size		Shaft Spec.
7.58	82000	-	-	18900	15	6205DB	Y			231	AV
	111000	1.00	I	23400	15	6215DA	Y	A		231	AV
	111000	1.18	I	29200	15	6225DB	Y	A		231	-
	111000	1.51	II	36600	15	6235DA	Y	B		231	AV
	111000	2.07	III	40600	15	6245DA	Y	C		231	AV
	111000	2.48	III	49600	15	6255DA	Y	C		231	-
6.41	111000	-	-	23400	15	6215DA	Y			273	AV
	130000	1.00	I	30800	15	6225DA	Y	A		273	AV
	130000	1.28	I	38400	15	6235DA	Y	A		273	AV
	130000	1.75	III	42700	15	6245DA	Y	C		273	AV
	130000	2.10	III	52100	15	6255DA	Y	C		273	-
	130000	3.12	III	62000	15	6265DA	Y	C		273	-
5.49	112000	-	-	23400	15	6215DA	Y			319	AV
	133000	-	-	31900	15	6225DA	Y			319	AV
	152000	1.10	I	39700	15	6235DA	Y	A		319	AV
	152000	1.50	II	44500	15	6245DA	Y	B		319	AV
	152000	1.88	III	54800	15	6255DA	Y	C		319	-
	152000	2.67	III	62000	15	6265DA	Y	C		319	-
4.64	133000	-	-	32600	15	6225DA	Y			377	AV
	167000	-	-	40200	15	6235DA	Y			377	AV
	180000	1.27	I	46700	15	6245DA	Y	A		377	AV
	180000	1.59	II	57500	15	6255DA	Y	B		377	-
	180000	2.26	III	62000	15	6265DA	Y	C		377	-
3.70	181000	-	-	40200	15	6235DA	Y			473	AV
	227000	1.01	I	46700	15	6245DA	Y	A		473	AV
	227000	1.35	II	57900	15	6255DA	Y	B		473	-
	227000	1.80	III	62000	15	6265DA	Y	C		473	-
	227000	2.67	III	55700	15	6275DA	Y	C		473	-
3.13	228000	-	-	46700	15	6245DA	Y			559	AV
	267000	1.14	I	57900	15	6255DA	Y	A		559	-
	267000	1.52	II	62000	15	6265DA	Y	B		559	-
	267000	2.26	III	55700	15	6275DA	Y	C		559	-
2.70	228000	-	-	46700	15	6245DA	Y			649	AV
	311000	0.98	-	57900	15	6255DA	Y			649	-
	311000	1.31	II	62000	15	6265DA	Y	B		649	-
	311000	1.95	III	55700	15	6275DA	Y	C		649	-
2.39	305000	-	-	57900	15	6255DA	Y			731	AV
	349000	1.16	I	62000	15	6265DA	Y	A		731	-
	349000	1.73	III	55700	15	6275DA	Y	C		731	-
2.08	288000	-	-	57900	15	6255DA	Y			841	AV
	402000	1.01	I	62000	15	6265DA	Y	A		841	-
	402000	1.50	II	55700	15	6275DA	Y	B		841	-
1.74	407000	-	-	62000	15	6265DA	Y			1003	-
	480000	1.26	I	55700	15	6275DA	Y	A		1003	-
1.40	596000	1.01	I	55700	15	6275DA	Y	A		1247	-
1.18	603000	-	-	55000	15	6275DA	Y			1479	-

Dimensions Pages

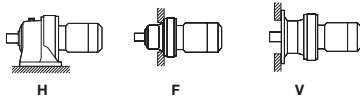
Foot Mount (H) 4.2–4.29

V-Flange (V) 4.30–4.43

F-Flange (F) 4.44–4.65

Gearmotors
Selection Tables

60 Hz Frame Size Selection Tables



20 HP
60 Hz, 1750 RPM

Dimensions Pages	
Foot Mount (H)	4.2–4.29
V-Flange (V)	4.30–4.43
F-Flange (F)	4.44–4.65

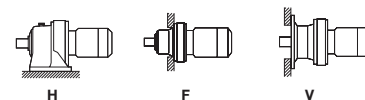
Output Speed RPM	Output Torque In•lbs	Service Factor		Overhung Load lbs	SELECTION					Option Inverter Duty
		SF	AGMA Class		HP Symbol	Frame Size	Shaft Spec.	AGMA Class	Ratio	
583	2070	1.01	I	1550	20	614H	Y	A	3	-
		1.35	II	1700	20	6160	Y	B	3	AV
		1.61	III	1688	20	616H	Y	C	3	AV
		1.84	III	1908	20	6170	Y	C	3	AV
350	3440	1.01	I	1840	20	614H	Y	A	5	-
		1.35	II	2020	20	6160	Y	B	5	AV
		1.61	III	2000	20	616H	Y	C	5	AV
		1.84	III	2260	20	6170	Y	C	5	AV
292	4130	1.01	I	1960	20	614H	Y	A	6	-
		1.35	II	2170	20	6160	Y	B	6	AV
		1.61	III	2170	20	616H	Y	C	6	AV
		1.84	III	2450	20	6170	Y	C	6	-
219	5500	1.01	I	2170	20	614H	Y	A	8	-
		1.31	II	2420	20	6160	Y	B	8	AV
		1.61	III	2420	20	616H	Y	C	8	AV
		1.84	III	2720	20	6170	Y	C	8	-
159	7570	1.01	I	2420	20	614H	Y	A	11	-
		1.31	II	2740	20	6160	Y	B	11	AV
		1.61	III	2740	20	616H	Y	C	11	AV
		1.84	III	3120	20	6170	Y	C	11	AV
135	8940	1.01	I	2470	20	614H	Y	A	13	-
		1.51	II	2850	20	616H	Y	B	13	AV
		1.82	III	3260	20	6170	Y	C	13	AV
117	10400	1.01	I	2580	20	614H	Y	A	15	-
		1.25	I	3030	20	6160	Y	A	15	AV
		1.51	II	3030	20	616H	Y	B	15	AV
		1.70	III	3410	20	6170	Y	C	15	AV
		2.01	III	3410	20	6175	Y	C	15	AV
103	11700	0.80	-	2690	20	614H	Y		17	-
		1.25	I	3120	20	616H	Y	A	17	AV
		1.31	II	3550	20	6170	Y	B	17	AV
		1.61	III	3550	20	6175	Y	C	17	AV
		2.04	III	4800	20	6180	Y	C	17	AV
83.3	14400	1.07	I	3320	20	616H	Y	A	21	AV
		1.30	II	3820	20	6170	Y	B	21	AV
		1.61	III	3820	20	6175	Y	C	21	AV
		2.00	III	5140	20	6180	Y	C	21	AV
70.0	17200	1.01	I	3460	20	616H	Y	A	25	AV
		1.05	I	3930	20	6170	Y	A	25	AV
		1.30	II	3930	20	6175	Y	B	25	AV
		1.61	III	5340	20	6180	Y	C	25	AV
		2.01	III	5340	20	6185	Y	C	25	AV
60.3	20000	1.25	I	4130	20	6175	Y	A	29	AV
		1.30	II	5590	20	6180	Y	B	29	AV
		1.61	III	5590	20	6185	Y	C	29	AV
		2.05	III	7900	20	6190	Y	C	29	AV

Gearmotors

Selection Tables

Frame Size Selection Tables 60 Hz

20 HP 60 Hz, 1750 RPM



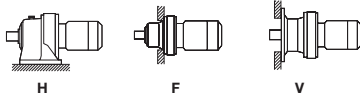
Output Speed RPM	Output Torque In•lbs	Service Factor		Overhung Load lbs	SELECTION					Option Inverter Duty
		SF	AGMA Class		HP Symbol ^[1]	Frame Size	Shaft Spec.	AGMA Class	Ratio	
50.0	24100	1.01	I	4360	20	6175	Y	A	35	AV
		1.25	I	5950	20	6180	Y	A	35	AV
		1.51	II	5950	20	6185	Y	B	35	AV
		1.62	III	8330	20	6190	Y	C	35	AV
		2.01	III	8330	20	6195	Y	C	35	AV
40.7	29600	1.25	I	6350	20	6185	Y	A	43	AV
		1.39	II	8960	20	6190	Y	B	43	AV
		2.01	III	8960	20	6195	Y	C	43	AV
34.3	35100	1.01	I	6560	20	6185	Y	A	51	AV
		1.39	II	9320	20	6195	Y	B	51	AV
29.7	40600	0.80	-	6830	20	6185	Y		59	AV
		1.25	I	9740	20	6195	Y	A	59	AV
		1.51	II	17900	20	6205	Y	B	59	-
		2.51	III	18300	20	6215	Y	C	59	-
24.6	48800	1.04	I	10300	20	6195	Y	A	71	AV
20.1	59900	0.91	-	11000	20	6195	Y		87	AV
		1.06	I	18900	20	6205	Y	A	87	AV
		1.43	II	20400	20	6215	Y	B	87	-
19.7	61000	1.30	II	18900	206	6205	Y	B	59	-
		1.83	III	20500	206	6215	Y	C	59	-
		2.22	III	21800	206	6225	Y	C	59	-
16.8	67800	0.80	-	11800	20	6195DB	Y		104	-
14.5	62700	-	-	12500	20	6195DB	Y		121	-
	78800	0.80	-	18900	20	6205DB	Y		121	-
	78800	1.28	I	22700	20	6215DB	Y	A	121	AV
	78800	1.52	II	23800	20	6225DB	Y	B	121	AV
	78800	1.69	III	30300	20	6235DA	Y	C	121	AV
	78800	2.30	III	33700	20	6245DB	Y	C	121	-
	78800	2.30	III	33700	20	6245DB	Y	C	121	-
13.4	90200	1.48	II	24200	206	6225	Y	B	87	-
	90200	1.60	III	30300	206	6235	Y	C	87	-
	90200	2.14	III	33900	206	6245	Y	C	87	-
10.6	82000	-	-	18900	20	6205DB	Y		165	-
	108000	0.80	-	23400	20	6215DA	Y		165	-
	108000	1.00	I	23400	20	6215DB	Y	A	165	AV
	108000	1.19	I	25800	20	6225DB	Y	A	165	AV
	108000	1.61	III	32300	20	6235DA	Y	C	165	AV
	108000	1.69	III	36100	20	6245DA	Y	C	165	AV
	108000	2.16	III	36100	20	6245DB	Y	C	165	-
8.97	101000	-	-	23400	20	6215DA	Y		195	-
	127000	1.01	I	27400	20	6225DB	Y	A	195	AV
	127000	1.37	II	33900	20	6235DA	Y	B	195	AV
	127000	1.59	II	37900	20	6245DA	Y	B	195	AV
	127000	2.12	III	46500	20	6255DA	Y	C	195	AV
7.58	119000	-	-	29200	20	6225DA	Y		231	-
	150000	1.11	I	36400	20	6235DA	Y	A	231	AV
	150000	1.52	II	40400	20	6245DA	Y	B	231	AV
	150000	1.82	III	49400	20	6255DA	Y	C	231	AV
	150000	2.70	III	60400	20	6265DA	Y	C	231	-

Dimensions Pages	
Foot Mount (H)	4.2-4.29
V-Flange (V)	4.30-4.43
F-Flange (F)	4.44-4.65

Note: [1] HP symbol ending in 6 indicates a six-pole, 1165 RPM motor.

Gearmotors
Selection
Tables

60 Hz Frame Size Selection Tables



20 HP
60 Hz, 1750 RPM

Dimensions Pages

Foot Mount (H) 4.2–4.29

V-Flange (V) 4.30–4.43

F-Flange (F) 4.44–4.65

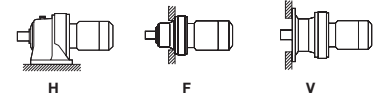
Output Speed RPM	Output Torque In•lbs	Service Factor		Overhung Load lbs	SELECTION					Option Inverter Duty
		SF	AGMA Class		HP Symbol	Frame Size	Shaft Spec.	AGMA Class	Ratio	
6.41	167000	-	-	38200	20	6235DA	Y		273	AV
	178000	1.28	I	42400	20	6245DA	Y	A	273	AV
	178000	1.54	II	51400	20	6255DA	Y	B	273	AV
	178000	2.29	III	62000	20	6265DA	Y	C	273	-
5.49	167000	-	-	39700	20	6235DA	Y		319	AV
	208000	1.10	I	44200	20	6245DA	Y	A	319	AV
	208000	1.38	II	54600	20	6255DA	Y	B	319	AV
	208000	1.96	III	62000	20	6265DA	Y	C	319	-
	208000	2.90	III	55700	20	6275DA	Y	C	319	-
4.64	228000	-	-	46500	20	6245DA	Y		377	AV
	246000	1.17	I	57300	20	6255DA	Y	A	377	AV
	246000	1.66	III	62000	20	6265DA	Y	C	377	-
	246000	2.46	III	55700	20	6275DA	Y	C	377	-
3.70	228000	-	-	46700	20	6245DA	Y		473	AV
	308000	0.98	-	57900	20	6255DA	Y		473	AV
	308000	1.32	II	62000	20	6265DA	Y	B	473	-
	308000	1.96	III	55700	20	6275DA	Y	C	473	-
3.13	305000	-	-	57900	20	6255DA	Y		559	AV
	365000	1.12	I	62000	20	6265DA	Y	A	559	-
	365000	1.66	III	55700	20	6275DA	Y	C	559	-
2.70	423000	0.96	-	62000	20	6265DA	Y		649	-
		1.43	II	55700	20	6275DA	Y	B	649	-
2.39	407000	-	-	62000	20	6265DA	Y		731	-
	477000	1.27	I	55700	20	6275DA	Y	A	731	-
2.08	407000	-	-	62000	20	6265DA	Y		841	AV
	549000	1.10	I	55700	20	6275DA	Y	A	841	AV
1.74	603000	-	-	55700	20	6275DA	Y		1003	-
1.40	603000	-	-	55700	20	6275DA	Y		1247	AV

Gearmotors

Selection
Tables

Frame Size Selection Tables 60 Hz

25 HP 60 Hz, 1750 RPM



Output Speed RPM	Output Torque In•lbs	Service Factor		Overhung Load lbs	SELECTION					Option Inverter Duty
		SF	AGMA Class		HP Symbol	Frame Size	Shaft Spec.	AGMA Class	Ratio	
583	2549	1.10	I	1700	25	6160	Y	A	3	-
		1.30	II	1688	25	6165	Y	B	3	-
		1.63	II	1908	25	6175	Y	B	3	AV
350	4248	1.10	I	2020	25	6160	Y	A	5	-
		1.30	II	2000	25	6165	Y	B	5	-
		1.63	II	2260	25	6175	Y	B	5	AV
292	5090	1.10	I	2150	25	6160	Y	A	6	-
		1.30	II	2150	25	616H	Y	B	6	-
		1.63	III	2450	25	6175	Y	C	6	AV
219	6790	1.06	I	2400	25	6160	Y	A	8	-
		1.30	II	2400	25	616H	Y	B	8	-
		1.63	III	2690	25	6175	Y	C	8	AV
159	9380	1.06	I	2720	25	6160	Y	A	11	-
		1.30	II	2720	25	616H	Y	B	11	-
		1.63	III	3100	25	6175	Y	C	11	AV
		1.90	III	4130	25	6180	Y	C	11	AV
135	11100	1.22	I	2830	25	616H	Y	A	13	-
		1.48	II	3210	25	6170	Y	B	13	AV
		1.63	III	3210	25	6175	Y	C	13	AV
		1.90	III	4290	25	6180	Y	C	13	AV
117	12700	1.22	I	2990	25	616H	Y	A	15	-
		1.38	II	3370	25	6170	Y	B	15	AV
		1.63	III	3370	25	6175	Y	C	15	AV
		1.75	III	4540	25	6180	Y	C	15	AV
103	14400	1.02	I	3050	25	616H	Y	A	17	-
		1.30	II	3500	25	6175	Y	B	17	AV
		1.65	III	4780	25	6180	Y	C	17	AV
		2.11	III	4780	25	6185	Y	C	17	AV
83.3	17800	1.05	I	3770	25	6170	Y	A	21	AV
		1.30	II	3770	25	6175	Y	B	21	AV
		1.62	III	5120	25	6180	Y	C	21	AV
		2.11	III	5120	25	6185	Y	C	21	AV
70.0	21200	1.05	I	3880	25	6175	Y	A	25	AV
		1.30	II	5320	25	6180	Y	B	25	AV
		1.63	III	5320	25	6185	Y	C	25	AV
		1.90	III	7480	25	6190	Y	C	25	AV
60.3	24600	1.02	I	4060	25	6175	Y	A	29	AV
		1.05	I	5550	25	6180	Y	A	29	AV
		1.30	II	5550	25	6185	Y	B	29	AV
		1.66	III	7860	25	6190	Y	C	29	AV
		2.04	III	7860	25	6195	Y	C	29	AV
50.0	29700	1.22	I	5910	25	6185	Y	A	35	AV
		1.31	II	8290	25	6190	Y	B	35	AV
		1.63	III	8290	25	6195	Y	C	35	AV
40.7	36500	1.02	I	6290	25	6185	Y	A	43	AV
		1.13	I	8890	25	6190	Y	A	43	AV
		1.63	III	8890	25	6195	Y	C	43	AV
		1.72	III	16400	25	6205	Y	C	43	-
		2.44	III	16800	25	6215	Y	C	43	-

Dimensions Pages

Foot Mount (H) 4.2–4.29

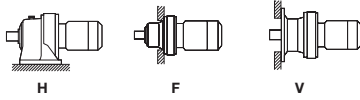
V-Flange (V) 4.30–4.43

F-Flange (F) 4.44–4.65

Gearmotors

Selection Tables

60 Hz Frame Size Selection Tables



25 HP
60 Hz, 1750 RPM

Dimensions Pages	
Foot Mount (H)	4.2–4.29
V-Flange (V)	4.30–4.43
F-Flange (F)	4.44–4.65

Output Speed RPM	Output Torque In•lbs	Service Factor		Overhung Load lbs	SELECTION					Option Inverter Duty
		SF	AGMA Class		HP Symbol ^[1]	Frame Size	Shaft Spec.	AGMA Class	Ratio	
34.3	43300	0.82	-	6490	25	6185	Y		51	AV
		1.13	I	9270	25	6195	Y	A	51	AV
29.7	50100	1.02	I	9680	25	6195	Y	A	59	AV
		1.22	I	17800	25	6205	Y	A	59	-
		2.04	III	18200	25	6215	Y	C	59	-
27.1	54800	1.24	I	10100	256	6195	Y	A	43	-
		1.50	II	16300	256	6205	Y	B	43	-
		2.04	III	18900	256	6215	Y	C	43	-
		2.58	III	20000	256	6225	Y	C	43	-
24.6	60300	0.84	-	10200	25	6195	Y		71	AV
20.1	73800	1.16	I	20300	25	6215	Y	A	87	-
		1.44	II	21600	25	6225	Y	B	87	-
19.7	75200	1.49	II	20500	256	6215	Y	B	59	-
		1.80	III	21700	256	6225	Y	C	59	-
		2.04	III	26900	256	6235	Y	C	59	-
14.5	97300	1.03	I	22700	25	6215DB	Y	A	121	-
		1.22	I	24000	25	6225DB	Y	A	121	AV
		1.37	II	30100	25	6235DA	Y	B	121	-
		1.86	III	33200	25	6245DB	Y	C	121	AV
		2.50	III	41300	25	6255DB	Y	C	121	-
13.4	111000	1.20	I	24200	256	6225	Y	A	87	-
		1.30	II	30100	256	6235	Y	B	87	AV
		1.74	III	33900	256	6245	Y	C	87	-
		2.32	III	41800	256	6255	Y	C	87	-
10.6	133000	0.97	-	25800	25	6225DB	Y		165	AV
		1.31	II	32300	25	6235DA	Y	B	165	-
		1.31	II	32300	25	6235DB	Y	B	165	AV
		1.37	II	36100	25	6245DA	Y	B	165	-
		2.08	III	44200	25	6255DB	Y	C	165	-
8.97	157000	2.74	III	53900	25	6265DA	Y	C	165	-
		1.11	I	33900	25	6235DA	Y	A	195	-
		1.11	I	33900	25	6235DB	Y	A	195	AV
		1.29	I	37900	25	6245DA	Y	A	195	-
		1.48	II	37900	25	6245DB	Y	B	195	AV
7.58	186000	1.72	III	46500	25	6255DA	Y	C	195	AV
		2.47	III	56600	25	6265DA	Y	C	195	-
		-	-	36400	25	6235DA	Y		231	-
		1.23	I	40400	25	6245DB	Y	A	231	AV
6.41	219000	1.48	II	48900	25	6255DA	Y	B	231	AV
		2.19	III	60400	25	6265DA	Y	C	231	-
		1.04	I	42200	25	6245DA	Y	A	273	-
		1.04	I	42200	25	6245DB	Y	A	273	AV
5.49	257000	1.25	I	51600	25	6255DA	Y	A	273	AV
		1.85	III	62000	25	6265DA	Y	C	273	-
		-	-	44000	25	6245DA	Y		319	-
		1.12	I	54300	25	6255DA	Y	A	319	AV
5.49	257000	1.59	II	62000	25	6265DA	Y	B	319	-
		2.35	III	55700	25	6275DA	Y	C	319	-

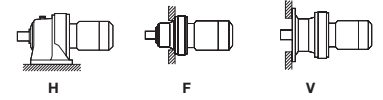
Note: [1] HP symbol ending in 6 indicates a six-pole, 1165 RPM motor.

Gearmotors

Selection Tables

Frame Size Selection Tables 60 Hz

25 HP 60 Hz, 1750 RPM



Output Speed RPM	Output Torque In•lbs	Service Factor		Overhung Load lbs	SELECTION					Option Inverter Duty
		SF	AGMA Class		HP Symbol	Frame Size	Shaft Spec.	AGMA Class	Ratio	
4.64	288000	-	-	57000	25	6255DA	Y		377	AV
	303000	1.34	II	62000	25	6265DA	Y	B	377	-
	303000	1.99	III	55700	25	6275DA	Y	C	377	-
3.70	380000	1.07	I	62000	25	6265DA	Y	A	473	-
		1.59	II	55700	25	6275DA	Y	B	473	-
3.13	407000	-	-	62000	25	6265DA	Y		559	-
	449000	1.34	II	55700	25	6275DA	Y	B	559	-
2.70	522000	1.16	I	55700	25	6275DA	Y	A	649	-
2.39	588000	1.03	I	55700	25	6275DA	Y	A	731	-
2.08	603000	-	-	55700	25	6275DA	Y		841	AV

Dimensions Pages	
Foot Mount (H)	4.2–4.29
V-Flange (V)	4.30–4.43
F-Flange (F)	4.44–4.65

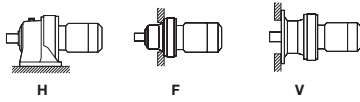
30 HP 60 Hz, 1750 RPM

Gearmotors

Selection Tables

Output Speed RPM	Output Torque In•lbs	Service Factor		Overhung Load lbs	SELECTION					Option Inverter Duty
		SF	AGMA Class		HP Symbol	Frame Size	Shaft Spec.	AGMA Class	Ratio	
583	3030	1.10	I	1688	30	6165	Y	C	3	-
		1.37	II	1908	30	6175	Y	C	3	AV
350	5050	1.10	I	2000	30	6165	Y	C	5	-
		1.37	II	2260	30	6175	Y	C	5	AV
292	6050	1.10	I	2140	30	616H	Y	A	6	-
		1.37	II	2420	30	6175	Y	B	6	-
219	8070	1.10	I	2380	30	616H	Y	A	8	-
		1.37	II	2670	30	6175	Y	B	8	-
159	11100	1.10	I	2670	30	616H	Y	A	11	-
		1.37	II	3080	30	6175	Y	B	11	AV
		1.60	III	4110	30	6180	Y	C	11	AV
		1.77	III	4110	30	6185	Y	C	11	AV
135	13100	1.03	I	2780	30	616H	Y	A	13	-
		1.37	II	3190	30	6175	Y	B	13	AV
		1.60	III	4290	30	6180	Y	C	13	AV
		1.77	III	4290	30	6185	Y	C	13	AV
117	15100	1.03	I	2940	30	616H	Y	A	15	-
		1.37	II	3320	30	6175	Y	B	15	AV
		1.77	III	4510	30	6185	Y	C	15	AV
103	17200	0.86	-	3010	30	616H	Y		17	-
		1.10	I	3460	30	6175	Y	A	17	AV
		1.39	II	4760	30	6180	Y	B	17	AV
		1.77	III	4760	30	6185	Y	C	17	AV
		1.86	III	6650	30	6190	Y	C	17	-
83.3	21200	1.10	I	3730	30	6175	Y	A	21	AV
		1.36	II	5100	30	6180	Y	B	21	AV
		1.77	III	5100	30	6185	Y	C	21	AV
		1.86	III	7140	30	6190	Y	C	21	AV

60 Hz Frame Size Selection Tables



30 HP
60 Hz, 1750 RPM

Dimensions Pages	
Foot Mount (H)	4.2–4.29
V-Flange (V)	4.30–4.43
F-Flange (F)	4.44–4.65

Output Speed RPM	Output Torque In•lbs	Service Factor		Overhung Load lbs	SELECTION					Option Inverter Duty
		SF	AGMA Class		HP Symbol ^[1]	Frame Size	Shaft Spec.	AGMA Class	Ratio	
70.0	25200	0.89	-	3820	30	6175	Y		25	AV
		1.10	I	5280	30	6180	Y	A	25	AV
		1.37	II	5280	30	6185	Y	B	25	AV
		1.60	III	7450	30	6190	Y	C	25	AV
		1.84	III	7450	30	6195	Y	C	25	AV
60.3	29300	1.10	I	5500	30	6185	Y	A	29	AV
		1.40	II	7840	30	6190	Y	B	29	AV
		1.72	III	7840	30	6195	Y	C	29	AV
		2.08	III	14600	30	6205	Y	C	29	-
50.0	35300	1.03	I	5840	30	6185	Y	A	35	AV
		1.37	II	8240	30	6195	Y	B	35	AV
40.7	43400	0.86	-	6200	30	6185	Y		43	AV
		0.95	-	8850	30	6190	Y		43	AV
		1.37	II	8850	30	6195	Y	B	43	AV
		1.45	II	16400	30	6205	Y	B	43	-
		2.05	III	16700	30	6215	Y	C	43	-
34.3	51500	0.95	-	9210	30	6195	Y		51	AV
29.7	59500	0.86	-	9610	30	6195	Y		59	AV
		1.03	I	17800	30	6205	Y	A	59	AV
		1.71	III	18100	30	6215	Y	C	59	-
		2.05	III	19200	30	6225	Y	C	59	-
27.1	65200	1.26	I	18400	306	6205	Y	A	43	-
		1.72	III	18800	306	6215	Y	C	43	-
		2.17	III	20000	306	6225	Y	C	43	-
20.1	87800	1.21	I	21500	30	6225	Y	A	87	AV
19.7	89400	1.25	I	20400	306	6215	Y	A	59	-
		1.51	II	21600	306	6225	Y	B	59	-
		2.55	III	30100	306	6245	Y	C	59	-
14.5	101000	-	-	22700	30	6215DB	Y		121	-
	116000	1.03	I	23800	30	6225DB	Y	A	121	AV
	116000	1.43	II	30100	30	6235DB	Y	B	121	AV
	116000	1.57	II	33500	30	6245DB	Y	B	121	AV
	116000	2.10	III	41100	30	6255DB	Y	C	121	-
	116000	2.31	III	50300	30	6265DA	Y	C	121	-
13.4	132000	1.09	I	30100	306	6235	Y	A	87	-
		1.46	II	33700	306	6245	Y	B	87	-
		1.95	III	41500	306	6255	Y	C	87	-
10.6	157000	1.10	I	32100	30	6235DA	Y	A	165	-
		1.47	II	35900	30	6245DB	Y	B	165	AV
		1.75	III	44000	30	6255DB	Y	C	165	-
		2.31	III	53900	30	6265DA	Y	C	165	-
8.97	173000	-	-	33700	30	6235DB	Y		195	AV
	187000	1.24	I	37700	30	6245DB	Y	A	195	AV
	187000	1.48	II	45800	30	6255DB	Y	B	195	-
	187000	2.08	III	56600	30	6265DA	Y	C	195	-
7.58	221000	1.03	I	40200	30	6245DB	Y	A	231	AV
		1.24	I	49200	30	6255DA	Y	A	231	AV
		1.84	III	60200	30	6265DA	Y	C	231	-

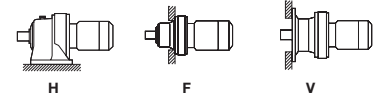
Note: [1] HP symbol ending in 6 indicates a six-pole, 1165 RPM motor.

Gearmotors

Selection Tables

Frame Size Selection Tables 60 Hz

30 HP 60 Hz, 1750 RPM



Output Speed RPM	Output Torque In•lbs	Service Factor		Overhung Load lbs	SELECTION					Option Inverter Duty
		SF	AGMA Class		HP Symbol	Frame Size	Shaft Spec.	AGMA Class	Ratio	
6.41	228000	-	-	42200	30	6245DB	Y		273	AV
	261000	1.05	I	51400	30	6255DA	Y	A	273	AV
	261000	1.56	II	62000	30	6265DA	Y	B	273	-
5.49	288000	-	-	54100	30	6255DB	Y		319	-
	305000	1.33	II	62000	30	6265DA	Y	B	319	-
	305000	1.98	III	55700	30	6275DA	Y	C	319	-
4.64	360000	1.13	I	62000	30	6265DA	Y	A	377	-
		1.67	III	55700	30	6275DA	Y	C	377	-
3.70	407000	-	-	62000	30	6265DA	Y		473	-
	452000	1.33	II	55700	30	6275DA	Y	B	473	-
3.13	534000	1.13	I	55700	30	6275DA	Y	A	559	-
2.70	620000	0.97	-	55700	30	6275DA	Y		649	-
2.39	603000	-	-	55700	30	6275DA	Y		731	-

Dimensions Pages

Foot Mount (H)	4.2–4.29
V-Flange (V)	4.30–4.43
F-Flange (F)	4.44–4.65

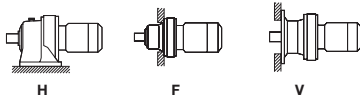
40 HP 60 Hz, 1750 RPM

Gearmotors

Selection Tables

Output Speed RPM	Output Torque In•lbs	Service Factor		Overhung Load lbs	SELECTION					Option Inverter Duty
		SF	AGMA Class		HP Symbol	Frame Size	Shaft Spec.	AGMA Class	Ratio	
583	4130	1.00	I	1908	40	6175	Y	A	3	-
350	6890	1.00	I	2260	40	6175	Y	A	5	-
292	8260	1.00	I	2400	40	6175	Y	A	6	-
219	11000	1.00	I	2630	40	6175	Y	A	8	-
		1.00	I	3010	40	6175	Y	A	11	-
		1.30	II	4090	40	6185	Y	B	11	AV
		1.60	III	5730	40	6195	Y	C	11	-
159	15100	1.99	III	11100	40	6205	Y	C	11	-
		1.00	I	3120	40	6175	Y	A	13	-
		1.30	II	4220	40	6185	Y	B	13	AV
135	17900	1.60	III	5950	40	6195	Y	C	13	AV
		1.00	I	3230	40	6175	Y	A	15	-
117	20600	1.30	II	4450	40	6185	Y	B	15	AV
		1.60	III	6240	40	6195	Y	C	15	AV
		1.99	III	11900	40	6205	Y	C	15	-
		0.80	-	3350	40	6175	Y		17	-
103	23400	1.02	I	4670	40	6180	Y	A	17	AV
		1.30	II	4670	40	6185	Y	B	17	AV
		1.60	III	6580	40	6195	Y	C	17	AV
		1.00	I	5030	40	6180	Y	A	21	AV
83.3	28900	1.30	II	5030	40	6185	Y	B	21	AV
		1.37	II	7070	40	6190	Y	B	21	AV
		1.60	III	7070	40	6195	Y	C	21	AV
		1.97	III	13300	40	6205	Y	C	21	-
		1.00	I	5190	40	6185	Y	A	25	AV
70.0	34400	1.35	II	7390	40	6195	Y	B	25	AV

60 Hz Frame Size Selection Tables



40 HP
60 Hz, 1750 RPM

Dimensions Pages	
Foot Mount (H)	4.2–4.29
V-Flange (V)	4.30–4.43
F-Flange (F)	4.44–4.65

Output Speed RPM	Output Torque In•lbs	Service Factor		Overhung Load lbs	SELECTION					Option Inverter Duty
		SF	AGMA Class		HP Symbol ^[1]	Frame Size	Shaft Spec.	AGMA Class	Ratio	
60.3	39900	0.80	-	5390	40	6185	Y		29	AV
		1.26	I	7750	40	6195	Y	A	29	AV
		1.52	II	14500	40	6205	Y	B	29	-
		1.95	III	14800	40	6215	Y	C	29	-
55.5	43400	1.30	II	8040	406	6190	Y	B	21	AV
		1.60	III	8040	406	6195	Y	C	21	AV
		2.51	III	15300	406	6215	Y	C	21	-
50.0	48100	1.00	I	8150	40	6195	Y	A	35	AV
40.2	60000	1.17	I	8690	406	6195	Y	A	29	-
		1.32	II	16300	406	6205	Y	B	29	-
		1.87	III	16600	406	6215	Y	C	29	-
		2.22	III	17600	406	6225	Y	C	29	-
40.7	59200	1.00	I	8730	40	6195	Y	A	43	AV
		1.06	I	16300	40	6205	Y	A	43	AV
		1.51	II	16600	40	6215	Y	B	43	-
		1.88	III	17600	40	6225	Y	C	43	-
29.7	81200	1.26	I	18000	40	6215	Y	A	59	AV
		1.51	II	19100	40	6225	Y	B	59	-
27.1	88500	1.26	I	18700	406	6215	Y	A	43	-
		1.59	II	19800	406	6225	Y	B	43	-
		2.51	III	27600	406	6245	Y	C	43	-
19.7	122000	1.26	I	26700	406	6235	Y	A	59	AV
		1.87	III	30100	406	6245	Y	C	59	-
		2.16	III	36800	406	6255	Y	C	59	-
14.5	119000	-	-	23800	40	6225DB	Y		121	-
	157000	1.05	I	29900	40	6235DB	Y	A	121	AV
	157000	1.54	II	40900	40	6255DB	Y	B	121	-
	157000	1.69	III	50100	40	6265DA	Y	C	121	-
13.4	180000	1.07	I	33500	406	6245	Y	A	87	-
		1.43	II	41300	406	6255	Y	B	87	-
		1.78	III	50500	406	6265	Y	C	87	-
10.6	173000	-	-	32100	40	6235DB	Y		165	AV
	215000	1.08	I	35700	40	6245DB	Y	A	165	AV
	215000	1.28	I	43800	40	6255DB	Y	A	165	-
	215000	1.69	III	53700	40	6265DA	Y	C	165	-
8.97	232000	-	-	37500	40	6245DB	Y		195	AV
	254000	1.06	I	46000	40	6255DA	Y	A	195	-
	254000	1.52	II	56400	40	6265DA	Y	B	195	AV
7.58	228000	-	-	40200	40	6245DB	Y		231	AV
	274000	-	-	48900	40	6255DB	Y		231	-
	301000	1.35	II	59900	40	6265DA	Y	B	231	-
6.41	274000	-	-	51400	40	6255DB	Y		273	AV
	356000	1.14	I	62000	40	6265DA	Y	A	273	AV
5.49	416000	0.98	-	62000	40	6265DA	Y		319	-
		1.45	II	55700	40	6275DA	Y	B	319	-
4.64	407000	-	-	62000	40	6265DA	Y		377	AV
	491000	1.23	I	55700	40	6275DA	Y	A	377	AV
3.70	617000	0.98	-	55700	40	6275DA	Y		473	-
3.13	603000	-	-	55700	40	6275DA	Y		559	AV

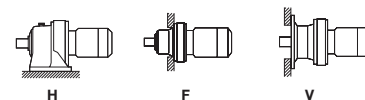
Note: [1] HP symbol ending in 6 indicates a six-pole, 1165 RPM motor.

Gearmotors

Selection Tables

Frame Size Selection Tables 60 Hz

50 HP 60 Hz, 1750 RPM



Output Speed RPM	Output Torque In•lbs	Service Factor		Overhung Load lbs	SELECTION					Option Inverter Duty
		SF	AGMA Class		HP Symbol ^[1]	Frame Size	Shaft Spec.	AGMA Class	Ratio	
159	18700	1.05	I	4040	50	6185	Y	A	11	-
		1.30	II	5700	50	6195	Y	B	11	AV
		1.61	III	11100	50	6205	Y	C	11	-
		2.04	III	11200	50	6215	Y	C	11	-
135	22000	1.05	I	4180	50	6185	Y	A	13	-
		1.30	II	5930	50	6195	Y	B	13	AV
117	25500	1.05	I	4380	50	6185	Y	A	15	-
		1.30	II	6220	50	6195	Y	B	15	AV
		1.61	III	11900	50	6205	Y	C	15	-
		2.04	III	12000	50	6215	Y	C	15	-
103	28800	1.05	I	4600	50	6185	Y	A	17	-
		1.30	II	6530	50	6195	Y	B	17	AV
83.3	35700	1.05	I	4960	50	6185	Y	A	21	-
		1.30	II	7030	50	6195	Y	B	21	AV
		1.60	III	13300	50	6205	Y	C	21	-
		2.04	III	13600	50	6215	Y	C	21	-
77.7	38200	1.11	I	7030	506	6190	Y	A	15	AV
		1.30	II	7030	506	6195	Y	B	15	AV
		1.61	III	13400	506	6205	Y	C	15	-
		2.04	III	13500	506	6215	Y	C	15	-
70.0	42500	0.81	-	5100	50	6185	Y		25	-
		1.09	I	7340	50	6195	Y	A	25	AV
60.3	49200	1.02	I	7680	50	6195	Y	A	29	AV
		1.58	II	14800	50	6215	Y	B	29	-
		2.04	III	15600	50	6225	Y	C	29	-
55.5	53500	1.30	II	7970	506	6195	Y	B	21	-
		2.04	III	15300	506	6215	Y	C	21	-
		2.45	III	16100	506	6225	Y	C	21	-
50.0	59400	0.81	-	8060	50	6195	Y		35	AV
40.2	74000	1.07	I	16200	506	6205	Y	A	29	-
		1.51	II	16500	506	6215	Y	B	29	-
		1.80	III	17500	506	6225	Y	C	29	-
		2.04	III	22000	506	6235	Y	C	29	-
40.7	73000	1.22	I	16600	50	6215	Y	A	43	AV
		1.53	II	17600	50	6225	Y	B	43	-
29.7	100000	1.22	I	19000	50	6225	Y	A	59	AV
27.1	110000	1.29	I	19700	506	6225	Y	A	43	-
		1.47	II	24200	506	6235	Y	B	43	AV
		2.04	III	27400	506	6245	Y	C	43	-
19.7	150000	1.02	I	26700	506	6235	Y	A	59	-
		1.52	II	29900	506	6245	Y	B	59	-
		1.75	III	36800	506	6255	Y	C	59	-
		2.55	III	45100	506	6265	Y	C	59	-
14.5	165000	-	-	29900	50	6235DB	Y		121	-
	181000	-	-	33200	50	6245DB	Y		121	-
	195000	1.25	I	40600	50	6255DB	Y	A	121	AV
13.4	222000	1.16	I	41100	506	6255	Y	A	87	-
		1.44	II	50300	506	6265	Y	B	87	-

Dimensions Pages

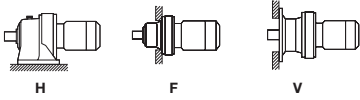
Foot Mount (H) 4.2–4.29

V-Flange (V) 4.30–4.43

F-Flange (F) 4.44–4.65

Note: [1] HP symbol ending in 6 indicates a six-pole, 1165 RPM motor.

60 Hz Frame Size Selection Tables



50 HP 60 Hz, 1750 RPM

Dimensions Pages	
Foot Mount (H)	4.2–4.29
V-Flange (V)	4.30–4.43
F-Flange (F)	4.44–4.65

Output Speed RPM	Output Torque In•lbs	Service Factor		Overhung Load lbs	SELECTION					Option Inverter Duty
		SF	AGMA Class		HP Symbol	Frame Size	Shaft Spec.	AGMA Class	Ratio	
10.6	232000	-	-	35500	50	6245DB	Y		165	-
	265000	1.04	I	43600	50	6255DB	Y	A	165	AV
	265000	1.37	II	53400	50	6265DA	Y	B	165	AV
8.97	276000	-	-	45800	50	6255DB	Y		195	AV
	313000	1.23	I	56100	50	6265DA	Y	A	195	AV
7.58	372000	1.10	I	59700	50	6265DA	Y	A	231	AV
6.41	407000	-	-	62000	50	6265DA	Y		273	AV
5.49	513000	1.18	I	55700	50	6275DA	Y	A	319	AV
4.64	606000	1.00	I	55700	50	6275DA	Y	A	377	AV

60 HP 60 Hz, 1750 RPM

Output Speed RPM	Output Torque In•lbs	Service Factor		Overhung Load lbs	SELECTION					Option Inverter Duty
		SF	AGMA Class		HP Symbol ^[1]	Frame Size	Shaft Spec.	AGMA Class	Ratio	
159	22700	1.07	I	5680	60	6195	Y	A	11	-
		1.33	II	11000	60	6205	Y	B	11	-
		1.67	III	11200	60	6215	Y	C	11	-
		2.21	III	11900	60	6225	Y	C	11	-
135	26800	1.07	I	5880	60	6195	Y	A	13	-
117	31000	1.07	I	6150	60	6195	Y	A	15	-
		1.33	II	11900	60	6205	Y	B	15	-
		1.67	III	12000	60	6215	Y	C	15	-
		2.21	III	12800	60	6225	Y	C	15	-
103	35100	0.87	-	4540	60	6185	Y		17	-
		1.07	I	6490	60	6195	Y	A	17	-
83.3	43400	0.87	-	4870	60	6185	Y		21	-
		1.07	I	6980	60	6195	Y	A	21	-
		1.32	II	13200	60	6205	Y	B	21	-
		1.67	III	13500	60	6215	Y	C	21	-
		2.09	III	14300	60	6225	Y	C	21	-
77.7	46500	1.33	II	13300	606	6205	Y	B	15	-
		1.67	III	13500	606	6215	Y	C	15	-
		2.21	III	14400	606	6225	Y	C	15	-
70.0	51600	0.90	-	7270	60	6195	Y		25	-
60.3	59900	0.84	-	7610	60	6195	Y		29	-
		1.02	I	14400	60	6205	Y	A	29	-
		1.30	II	14700	60	6215	Y	B	29	-
		1.67	III	15600	60	6225	Y	C	29	-
55.5	65100	1.22	I	14900	606	6205	Y	A	21	-
		1.67	III	15200	606	6215	Y	C	21	-
		2.01	III	16100	606	6225	Y	C	21	-
		2.17	III	20100	606	6235	Y	C	21	-

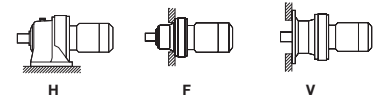
Note: [1] HP symbol ending in 6 indicates a six-pole, 1165 RPM motor.

Gearmotors

Selection Tables

Frame Size Selection Tables 60 Hz

60 HP 60 Hz, 1750 RPM



Output Speed RPM	Output Torque In•lbs	Service Factor		Overhung Load lbs	SELECTION					Option Inverter Duty
		SF	AGMA Class		HP Symbol ^[1]	Frame Size	Shaft Spec.	AGMA Class	Ratio	
40.2	90200	1.24	I	16400	606	6215	Y	A	29	-
		1.48	II	17200	606	6225	Y	B	29	-
		1.67	III	21900	606	6235	Y	C	29	-
		2.09	III	24500	606	6245	Y	C	29	-
40.7	88500	1.00	I	16500	60	6215	Y	A	43	-
27.1	134000	1.21	I	24200	606	6235	Y	A	43	-
		1.67	III	27400	606	6245	Y	C	43	-
		1.98	III	33700	606	6255	Y	C	43	-
		2.51	III	41300	606	6265	Y	C	43	-
19.7	183000	1.25	I	29600	606	6245	Y	A	59	-
		1.44	II	36100	606	6255	Y	B	59	-
		2.09	III	44900	606	6265	Y	C	59	-
14.5	236000	1.03	I	40400	60	6255DB	Y	A	121	-
13.4	270000	1.19	I	50100	606	6265	Y	A	87	-
10.6	323000	1.13	I	53200	60	6265DA	Y	A	165	-
8.97	381000	1.01	I	55700	60	6265DA	Y	A	195	-
7.58	407000	-	-	59500	60	6265DA	Y		231	-
5.49	624000	0.97	-	55700	60	6275DA	Y		319	-

Dimensions Pages

Foot Mount (H)	4.2–4.29
V-Flange (V)	4.30–4.43
F-Flange (F)	4.44–4.65

Gearmotors

Selection Tables

75 HP 60 Hz, 1750 RPM

Output Speed RPM	Output Torque In•lbs	Service Factor		Overhung Load lbs	SELECTION					Option Inverter Duty
		SF	AGMA Class		HP Symbol ^[1]	Frame Size	Shaft Spec.	AGMA Class	Ratio	
159	27800	1.09	I	11000	75	6205	Y	A	11	-
		1.37	II	11200	75	6215	Y	B	11	-
		1.81	III	11800	75	6225	Y	C	11	-
117	37900	1.09	I	11800	75	6205	Y	A	15	-
		1.37	II	12000	75	6215	Y	B	15	-
		1.81	III	12800	75	6225	Y	C	15	-
83.3	53000	1.08	I	13200	75	6205	Y	A	21	-
		1.37	II	13500	75	6215	Y	B	21	-
		1.71	III	14200	75	6225	Y	C	21	-
60.3	73200	1.06	I	14600	75	6215	Y	A	29	-
		1.37	II	15500	75	6225	Y	B	29	-
55.5	79500	1.77	III	20000	756	6235	Y	C	21	-
		1.37	II	21600	756	6235	Y	B	29	-
		1.71	III	24200	756	6245	Y	C	29	-
40.7	109000	2.15	III	30100	756	6255	Y	C	29	-
		1.03	I	17400	75	6225	Y	A	43	-
		0.99	-	24200	756	6235	Y		43	-
27.1	163000	1.37	II	27200	756	6245	Y	B	43	-
		1.62	III	33500	756	6255	Y	C	43	-
		2.05	III	41100	756	6265	Y	C	43	-
		1.18	I	36400	756	6255	Y	A	59	-
19.7	224000	1.71	III	44700	756	6265	Y	C	59	-

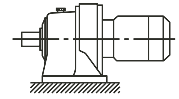
Note: [1] HP symbol ending in 6 indicates a six-pole, 1165 RPM motor.

4

Dimensions



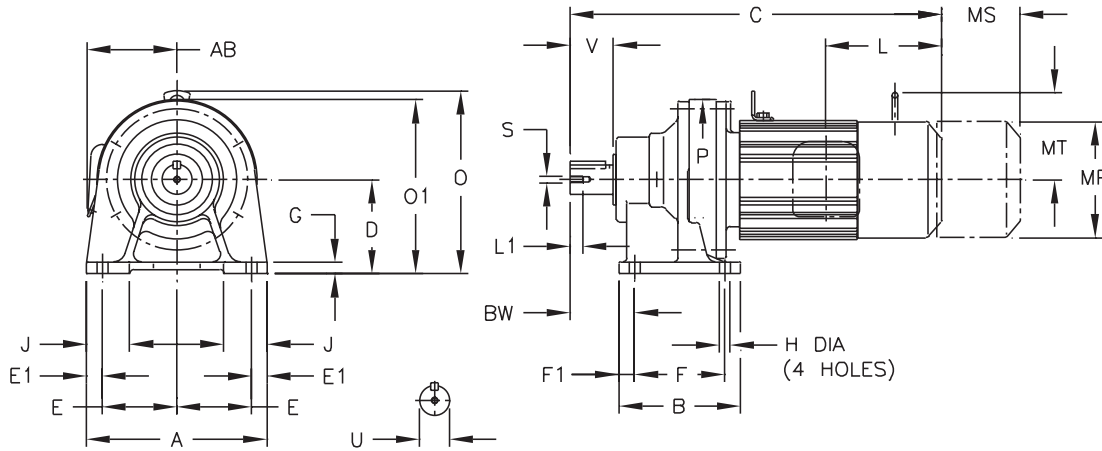
Dimensions for 575 Volt and CSA units may be different than those specified in this section, please consult factory.



Dimensions Integral Foot Mount

Single Reduction

CNHM-6060/5Y ▶ 610HY, PHHM-6100/5Y ▶ 610HY



All dimensions are in inches

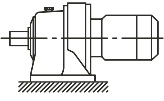
Model CNHM, PHHM	A	B	D	E	E1	F	F1	G	H	J	P	BW
6060/5Y	5.67	3.31	3.15	2.36	0.47	2.36	0.47	0.39	0.35	1.38	4.33	1.61
6070/5Y	5.67	3.31	3.15	2.36	0.47	2.36	0.47	0.39	0.35	1.38	4.33	1.85
6080/5Y	5.67	3.90	3.54	2.36	0.47	2.95	0.47	0.51	0.35	1.46	5.28	2.05
6090/5Y	7.09	5.31	3.94	2.95	0.59	3.54	0.59	0.47	0.43	1.57	5.91	2.36
6100/5Y	7.09	5.31	3.94	2.95	0.59	3.54	0.59	0.47	0.43	1.57	5.91	2.36
610HY	7.09	5.31	4.72	2.95	0.59	3.54	0.59	0.47	0.43	1.77	5.91	2.36

Model CNHM, PHHM	Low Speed Shaft				
	U*	V	S	L1	Key
6060/5Y	0.500	0.98	10-32UNF	0.63	1/8 X 1/8 X 0.79
6070/5Y	0.750	1.18	12-28UNF	0.63	3/16 X 3/16 X 1.06
6080/5Y	0.875	1.38	12-28UNF	0.63	3/16 X 3/16 X 1.18
6090/5Y	1.125	1.38	5/16-18UNC	0.79	1/4 X 1/4 X 1.18
6100/5Y	1.125	1.38	5/16-18UNC	0.79	1/4 X 1/4 X 1.18
610HY	1.125	1.38	5/16-18UNC	0.79	1/4 X 1/4 X 1.18

***Shaft Tolerances**

Shaft Nominal Diameter (inches)	Tolerances (inches)
0.500 (1/2) through 0.625 (5/8)	+0.0000/-0.0004
0.750 (3/4) through 1.125 (1 1/8)	+0.0000/-0.0005
1.250 (1 1/4) through 1.875 (1 7/8)	+0.0000/-0.0006

Gearmotors
Dimensions



Dimensions Integral Foot Mount

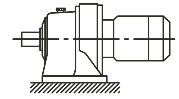
Single Reduction CNHM-6060/5Y ▶ 610HY, PHHM-6100/5Y ▶ 610HY (cont.)

All dimensions are in inches

Model	Motor		Without Brake							Appx Wt (lb)	With Brake							Appx Wt (lb)
	HP	Pole	C	O	O1	AB	L	MP	C		O	O1	AB	L	MP	MS	MT	
CNHM01-6060/5Y	1/8	4	8.90	-	5.59	5.04	1.38	4.69	13	10.28	-	5.59	5.04	2.76	4.88	1.93	-	15
CNHM02-6060/5Y	1/4	4	10.55	-	5.59	5.04	2.32	4.88	15	11.81	-	5.59	5.04	3.58	4.88	2.40	-	18
CNHM03-6060/5Y	1/3	4	10.55	-	5.59	5.04	2.32	4.88	15	11.81	-	5.59	5.04	3.58	4.88	2.40	-	18
CNHM01-6070/5Y	1/8	4	9.13	-	5.59	5.04	1.38	4.69	13	10.51	-	5.59	5.04	2.76	4.88	1.93	-	15
CNHM02-6070/5Y	1/4	4	10.79	-	5.59	5.04	2.32	4.88	15	12.05	-	5.59	5.04	3.58	4.88	2.40	-	18
CNHM03-6070/5Y	1/3	4	10.79	-	5.59	5.04	2.32	4.88	15	12.05	-	5.59	5.04	3.58	4.88	2.40	-	18
CNHM05-6070/5Y	1/2	4	11.57	-	5.59	5.04	2.32	4.88	18	12.83	-	5.59	5.04	3.58	4.88	2.40	-	20
CNHM01-6080/5Y	1/8	4	10.16	-	6.18	5.04	1.38	4.69	20	11.54	-	6.18	5.04	2.76	4.88	1.93	-	22
CNHM02-6080/5Y	1/4	4	11.81	-	6.18	5.04	2.32	4.88	22	13.07	-	6.18	5.04	3.58	4.88	2.40	-	24
CNHM03-6080/5Y	1/3	4	11.81	-	6.18	5.04	2.32	4.88	22	13.07	-	6.18	5.04	3.58	4.88	2.40	-	24
CNHM05-6080/5Y	1/2	4	12.60	-	6.18	5.04	2.32	4.88	26	13.86	-	6.18	5.04	3.58	4.88	2.40	-	29
CNHM08-6080/5Y	3/4	4	14.21	7.99	-	5.43	3.82	5.83	35	15.91	7.99	-	5.43	5.51	5.83	3.66	4.17	37
CNHM1-6080/5Y	1	4	14.21	7.99	-	5.43	3.82	5.83	35	15.91	7.99	-	5.43	5.51	5.83	3.66	4.17	37
CNHM01-6090/5Y	1/8	4	10.87	-	6.89	5.04	1.38	4.69	24	12.24	-	6.89	5.04	2.76	4.88	1.93	-	29
CNHM02-6090/5Y	1/4	4	12.52	-	6.89	5.04	2.32	4.88	26	13.78	-	6.89	5.04	3.58	4.88	2.40	-	31
CNHM03-6090/5Y	1/3	4	12.52	-	6.89	5.04	2.32	4.88	26	13.78	-	6.89	5.04	3.58	4.88	2.40	-	31
CNHM05-6090/5Y	1/2	4	13.31	-	6.89	5.04	2.32	4.88	29	14.57	-	6.89	5.04	3.58	4.88	2.40	-	33
CNHM08-6090/5Y	3/4	4	14.92	8.39	-	5.43	3.82	5.83	37	16.61	8.39	-	5.43	5.51	5.83	3.66	4.17	44
CNHM1-6090/5Y	1	4	14.92	8.39	-	5.43	3.82	5.83	37	16.61	8.39	-	5.43	5.51	5.83	3.66	4.17	44
CNHM1H-6090/5Y	1.5	4	16.22	8.66	-	5.63	3.94	6.30	44	18.66	8.66	-	5.63	6.38	6.30	4.53	4.49	55
CNHM2-6090/5Y	2	4	16.22	8.66	-	5.63	3.94	6.30	44	18.66	8.66	-	5.63	6.38	6.30	4.53	4.49	55
CNHM02-6100/5Y	1/4	4	13.07	8.15	-	5.04	2.32	4.88	37	14.33	8.15	-	5.04	3.58	4.88	2.40	-	42
CNHM03-6100/5Y	1/3	4	13.07	8.15	-	5.04	2.32	4.88	37	14.33	8.15	-	5.04	3.58	4.88	2.40	-	42
CNHM05-6100/5Y	1/2	4	13.86	8.15	-	5.04	2.32	4.88	40	15.12	8.15	-	5.04	3.58	4.88	2.40	-	44
CNHM08-6100/5Y	3/4	4	15.47	8.39	-	5.43	3.82	5.83	49	17.17	8.39	-	5.43	5.51	5.83	3.66	4.17	55
CNHM1-6100/5Y	1	4	15.47	8.39	-	5.43	3.82	5.83	49	17.17	8.39	-	5.43	5.51	5.83	3.66	4.17	55
CNHM/PHHM1H-6100/5Y	1.5	4	16.77	8.66	-	5.63	3.94	6.30	57	19.21	8.66	-	5.63	6.38	6.30	4.53	4.49	68
CNHM/PHHM2-6100/5Y	2	4	16.77	8.66	-	5.63	3.94	6.30	57	19.21	8.66	-	5.63	6.38	6.30	4.53	4.49	68
CNHM/PHHM3-6100/5Y	3	4	17.56	8.90	-	5.91	4.13	6.81	66	20.04	8.90	-	5.91	6.61	6.81	4.76	4.88	79
CNHM02-610HY	1/4	4	13.07	8.94	-	5.04	2.32	4.88	40	14.33	8.94	-	5.04	3.58	4.88	2.40	-	44
CNHM03-610HY	1/3	4	13.07	8.94	-	5.04	2.32	4.88	40	14.33	8.94	-	5.04	3.58	4.88	2.40	-	44
CNHM05-610HY	1/2	4	13.86	8.94	-	5.04	2.32	4.88	42	15.12	8.94	-	5.04	3.58	4.88	2.40	-	46
CNHM08-610HY	3/4	4	15.47	9.17	-	5.43	3.82	5.83	51	17.17	9.17	-	5.43	5.51	5.83	3.66	4.17	57
CNHM1-610HY	1	4	15.47	9.17	-	5.43	3.82	5.83	51	17.17	9.17	-	5.43	5.51	5.83	3.66	4.17	57
CNHM1H-610HY	1.5	4	16.77	9.45	-	5.63	3.94	6.30	60	19.21	9.45	-	5.63	6.38	6.30	4.53	4.49	71
CNHM/PHHM2-610HY	2	4	16.77	9.45	-	5.63	3.94	6.30	60	19.21	9.45	-	5.63	6.38	6.30	4.53	4.49	71
CNHM/PHHM3-610HY	3	4	17.56	9.69	-	5.91	4.13	6.81	68	20.04	9.69	-	5.91	6.61	6.81	4.76	4.88	82

Gearmotors

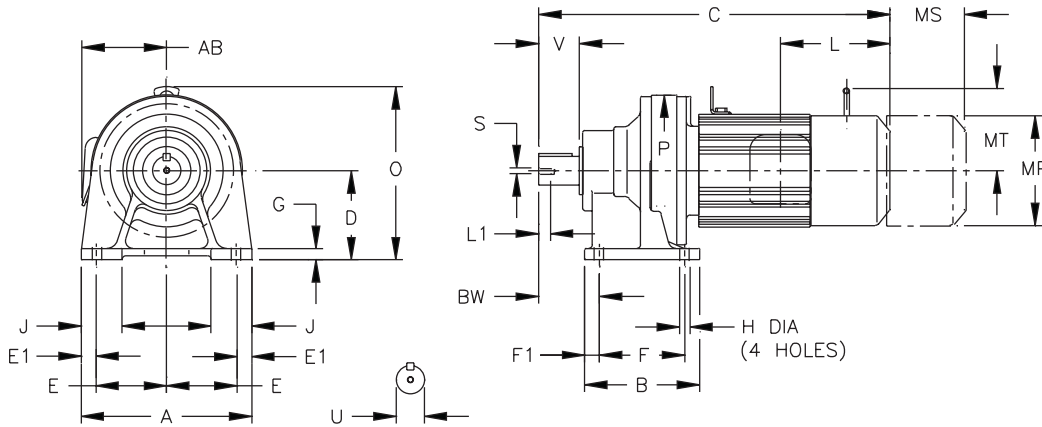
Dimensions



Dimensions Integral Foot Mount

Single Reduction

CNHM-6110/5Y ▶ 612HY, PHHM-6120/5Y ▶ 612HY



All dimensions are in inches

Model CNHM, PHHM	A	B	D	E	E1	F	F1	G	H	J	P	BW
6110/5Y	7.09	5.31	4.724	2.95	0.59	3.54	0.59	0.47	0.43	1.77	6.38	2.76
6120/5Y	9.06	6.10	4.724	3.74	0.79	4.53	0.79	0.59	0.55	2.17	8.03	3.23
612HY	9.06	6.10	5.512	3.74	0.79	4.53	0.79	0.59	0.55	2.36	8.03	3.23

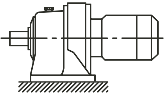
Model CNHM, PHHM	U*	Low Speed Shaft			
		V	S	L1	Key
6110/5Y	1.250	1.77	5/16-18UNC	0.79	1/4 X 1/4 X 1.46
6120/5Y	1.500	2.17	5/16-18UNC	0.79	3/8 X 3/8 X 1.77
612HY	1.500	2.17	5/16-18UNC	0.79	3/8 X 3/8 X 1.77

***Shaft Tolerances**

Shaft Nominal Diameter (inches)	Tolerances (inches)
0.500 (1/2) through 0.625 (5/8)	+0.0000/-0.0004
0.750 (3/4) through 1.125 (1 1/8)	+0.0000/-0.0005
1.250 (1 1/4) through 1.875 (1 7/8)	+0.0000/-0.0006

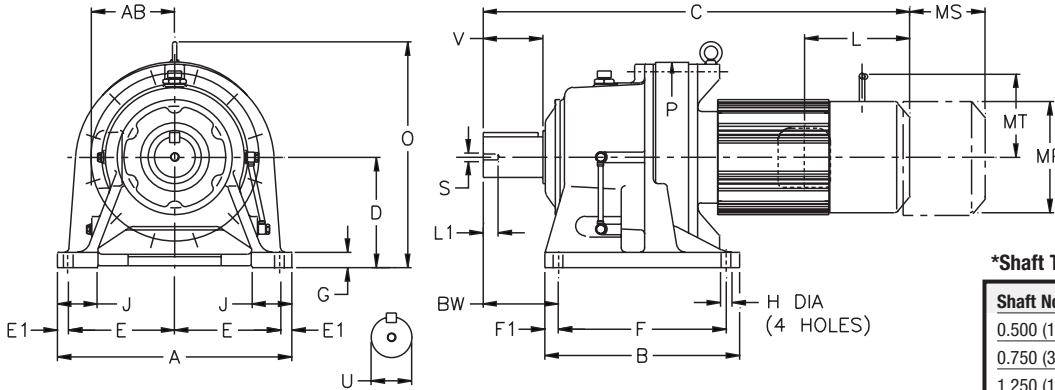
Gearmotors
Dimensions

Model	Motor		Without Brake						Appx Wt (lb)	With Brake						Appx Wt (lb)
	HP	Pole	C	O	AB	L	MP	C		O	AB	L	MP	MS	MT	
CNHM05-6110/5Y	1/2	4	14.29	9.29	5.04	2.32	4.88	42	15.51	9.29	5.04	3.58	4.88	2.40	-	44
CNHM08-6110/5Y	3/4	4	15.87	9.29	5.43	3.82	5.83	49	17.80	9.29	5.43	5.51	5.83	3.66	4.17	55
CNHM1-6110/5Y	1	4	15.87	9.29	5.43	3.82	5.83	49	17.80	9.29	5.43	5.51	5.83	3.66	4.17	55
CNHM1H-6110/5Y	1.5	4	17.17	9.45	5.63	3.94	6.30	55	19.41	9.45	5.63	6.38	6.30	4.53	4.49	66
CNHM2-6110/5Y	2	4	17.17	9.45	5.63	3.94	6.30	55	19.41	9.45	5.63	6.38	6.30	4.53	4.49	66
CNHM3-6110/5Y	3	4	17.95	9.69	5.91	4.13	6.81	64	20.43	9.69	5.91	6.61	6.81	4.76	4.88	77
CNHM5-6110/5Y	5	4	19.33	10.47	6.54	5.00	8.35	86	22.17	10.47	6.54	7.83	8.35	5.20	6.18	108
CNHM08-6120/5Y	3/4	4	16.65	9.17	5.43	3.82	5.83	68	18.35	9.17	5.43	5.51	5.83	3.66	4.17	75
CNHM1-6120/5Y	1	4	16.65	9.17	5.43	3.82	5.83	68	18.35	9.17	5.43	5.51	5.83	3.66	4.17	75
CNHM1H-6120/5Y	1.5	4	17.95	9.45	5.63	3.94	6.30	77	20.39	9.45	5.63	6.38	6.30	4.53	4.49	88
CNHM2-6120/5Y	2	4	17.95	9.45	5.63	3.94	6.30	77	20.39	9.45	5.63	6.38	6.30	4.53	4.49	88
CNHM3-6120/5Y	3	4	18.74	9.69	5.91	4.13	6.81	86	21.22	9.69	5.91	6.61	6.81	4.76	4.88	101
CNHM/PHHM5-6120/5Y	5	4	19.65	10.47	6.54	5.00	8.35	108	22.48	10.47	6.54	7.83	8.35	5.20	6.18	130
CNHM/PHHM8-6120/5Y	7.5	4	21.38	10.47	6.54	5.00	8.35	123	24.21	10.47	6.54	7.83	8.35	5.20	6.18	146
CNHM08-612HY	3/4	4	16.65	9.96	5.43	3.82	5.83	71	18.35	9.96	5.43	5.51	5.83	3.66	4.17	77
CNHM1-612HY	1	4	16.65	9.96	5.43	3.82	5.83	71	18.35	9.96	5.43	5.51	5.83	3.66	4.17	77
CNHM1H-612HY	1.5	4	17.95	10.24	5.63	3.94	6.30	79	20.39	10.24	5.63	6.38	6.30	4.53	4.49	90
CNHM2-612HY	2	4	17.95	10.24	5.63	3.94	6.30	79	20.39	10.24	5.63	6.38	6.30	4.53	4.49	90
CNHM3-612HY	3	4	18.74	10.47	5.91	4.13	6.81	88	21.22	10.47	5.91	6.61	6.81	4.76	4.88	104
CNHM/PHHM5-612HY	5	4	19.65	11.26	6.54	5.00	8.35	110	22.48	11.26	6.54	7.83	8.35	5.20	6.18	132
CNHM/PHHM8-612HY	7.5	4	21.38	11.26	6.54	5.00	8.35	126	24.21	11.26	6.54	7.83	8.35	5.20	6.18	148



Dimensions Integral Foot Mount

Single Reduction CHHM-6130/5Y ▶ 614HY, PHHM-6130/5Y ▶ 614HY



***Shaft Tolerances**

Shaft Nominal Diameter (inches)	Tolerances (inches)
0.500 (1/2) through 0.625 (5/8)	+0.0000/-0.0004
0.750 (3/4) through 1.125 (1 1/8)	+0.0000/-0.0005
1.250 (1 1/4) through 1.875 (1 7/8)	+0.0000/-0.0006
2.000 (2) through 3.125 (3 1/8)	+0.0000/-0.0007
3.250 (3 1/4) through 4.625 (4 5/8)	+0.0000/-0.0009
4.750 (4 3/4) through 7.000 (7)	+0.0000/-0.0010

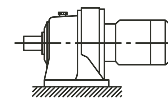
All dimensions are in inches

Model CHHM, PHHM	A	B	D	E	E1	F	F1	G	H	J	P	BW
6130/5Y	12.99	7.68	5.906	5.71	0.79	5.71	0.98	0.87	0.71	2.56	9.06	3.94
6140/5Y	12.99	7.68	5.906	5.71	0.79	5.71	0.98	0.87	0.71	2.56	9.06	4.72
614HY	12.99	7.68	6.299	5.71	0.79	5.71	0.98	0.87	0.71	2.76	9.06	4.72

Model CHHM, PHHM	Low Speed Shaft				
	U*	V	S	L1	Key
6130/5Y	1.875	2.76	3/8-16UNC	0.71	1/2 X 1/2 X 2.16
6140/5Y	1.875	3.54	3/8-16UNC	0.71	1/2 X 1/2 X 2.95
614HY	1.875	3.54	3/8-16UNC	0.71	1/2 X 1/2 X 2.95

Model	Motor		Without Brake					Appx Wt (lb)	With Brake					Appx Wt (lb)		
	HP	Pole	C	O	AB	L	MP		C	O	AB	L	MP		MS	MT
CHHM1-6130/5Y	1	4	18.78	10.43	5.43	3.82	5.83	110	20.47	10.43	5.43	5.51	5.83	3.66	4.17	117
CHHM1H-6130/5Y	1.5	4	20.08	10.55	5.63	3.94	6.30	119	22.52	10.55	5.63	6.38	6.30	4.53	4.49	130
CHHM2-6130/5Y	2	4	20.08	10.55	5.63	3.94	6.30	119	22.52	10.55	5.63	6.38	6.30	4.53	4.49	130
CHHM3-6130/5Y	3	4	20.87	10.79	5.91	4.13	6.81	126	23.35	10.79	5.91	6.61	6.81	4.76	4.88	141
CHHM5-6130/5Y	5	4	21.77	11.65	6.54	5.00	8.35	148	24.61	11.65	6.54	7.83	8.35	5.20	6.18	170
CHHM/PHHM8-6130/5Y	7.5	4	23.50	11.65	6.54	5.00	8.35	163	26.34	11.65	6.54	7.83	8.35	5.20	6.18	185
CHHM/PHHM10-6130/5Y	10	4	24.41	12.72	8.31	5.63	9.88	196	28.15	12.72	8.31	9.37	9.88	6.69	7.17	236
CHHM/PHHM15-6130/5Y	15	4	26.77	12.72	8.31	5.63	9.88	227	30.51	12.72	8.31	9.37	9.88	6.69	7.17	265
CHHM1H-6140/5Y	1.5	4	20.87	10.55	5.63	3.94	6.30	121	23.31	10.55	5.63	6.38	6.30	4.53	4.49	132
CHHM2-6140/5Y	2	4	20.87	10.55	5.63	3.94	6.30	121	23.31	10.55	5.63	6.38	6.30	4.53	4.49	132
CHHM3-6140/5Y	3	4	21.65	10.79	5.91	4.13	6.81	128	24.13	10.79	5.91	6.61	6.81	4.76	4.88	143
CHHM5-6140/5Y	5	4	22.56	11.65	6.54	5.00	8.35	150	25.39	11.65	6.54	7.83	8.35	5.20	6.18	172
CHHM8-6140/5Y	7.5	4	24.29	11.65	6.54	5.00	8.35	165	27.13	11.65	6.54	7.83	8.35	5.20	6.18	187
CHHM/PHHM10-6140/5Y	10	4	25.20	12.72	8.31	5.63	9.88	198	28.94	12.72	8.31	9.37	9.88	6.69	7.17	238
CHHM/PHHM15-6140/5Y	15	4	27.56	12.72	8.31	5.63	9.88	227	31.30	12.72	8.31	9.37	9.88	6.69	7.17	267
CHHM/PHHM20-6140/5Y ^[1]	20	4	31.10	14.09	9.13	11.61	12.76	342	34.65	14.09	9.13	15.16	12.76	8.66	-	415
CHHM1H-614HY	1.5	4	20.87	10.94	5.63	3.94	6.30	126	23.31	10.94	5.63	6.38	6.30	4.53	4.49	137
CHHM2-614HY	2	4	20.87	10.94	5.63	3.94	6.30	126	23.31	10.94	5.63	6.38	6.30	4.53	4.49	137
CHHM3-614HY	3	4	21.65	11.18	5.91	4.13	6.81	132	24.13	11.18	5.91	6.61	6.81	4.76	4.88	148
CHHM5-614HY	5	4	22.56	12.05	6.54	5.00	8.35	154	25.39	12.05	6.54	7.83	8.35	5.20	6.18	176
CHHM8-614HY	7.5	4	24.29	12.05	6.54	5.00	8.35	170	27.13	12.05	6.54	7.83	8.35	5.20	6.18	192
CHHM/PHHM10-614HY	10	4	25.20	13.11	8.31	5.63	9.88	203	28.94	13.11	8.31	9.37	9.88	6.69	7.17	243
CHHM/PHHM15-614HY	15	4	27.56	13.11	8.31	5.63	9.88	234	31.30	13.11	8.31	9.37	9.88	6.69	7.17	273
CHHM/PHHM20-614HY ^[1]	20	4	31.10	14.49	9.13	11.61	12.76	348	34.65	14.49	9.13	15.16	12.76	8.66	-	421

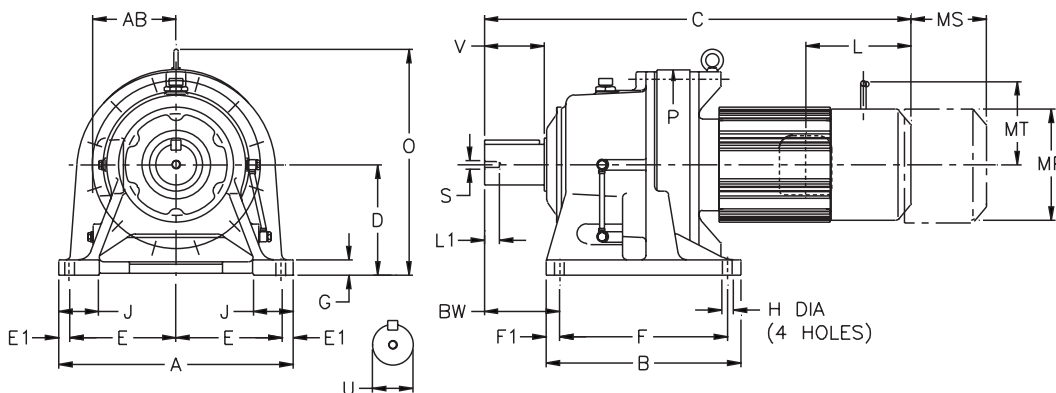
Note: [1] Motor frame extends below the unit base.



Dimensions Integral Foot Mount

Single Reduction

CHHM-6160/5Y ▶ 6205Y, PHHM-6160/5Y ▶ 6170/5Y



All dimensions are in inches

Model CHHM, PHHM	A	B	D	E	E1	F	F1	G	H	J	P	BW
6160/5Y	16.14	9.37	6.299	7.28	0.79	5.91	1.73	0.98	0.71	2.95	12.52	5.47
616HY	16.14	9.37	7.874	7.28	0.79	5.91	1.73	0.98	0.71	3.15	12.52	5.47
6170/5Y	16.93	13.19	7.874	7.48	0.98	10.83	1.18	1.18	0.87	3.15	14.25	4.92
6180/5Y	18.50	14.96	8.661	8.27	0.98	12.60	1.18	1.18	0.87	3.35	15.35	5.71
6190/5Y	20.87	17.32	9.843	9.45	0.98	14.96	1.18	1.38	1.02	3.54	17.76	6.69
6205Y	20.87	17.32	9.843	8.66	1.77	14.17	1.57	1.38	1.02	3.94	18.54	8.46

Gearmotors

Dimensions

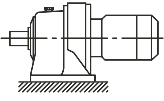
Model CHHM, PHHM	Low Speed Shaft				
	U*	V	S	L1	Key
6160/5Y	2.250	3.54	3/8-16UNC	0.71	1/2 X 1/2 X 2.95
616HY	2.250	3.54	3/8-16UNC	0.71	1/2 X 1/2 X 2.95
6170/5Y	2.750	3.54	1/2-13UNC	0.94	5/8 X 5/8 X 3.15
6180/5Y	3.125	4.33	1/2-13UNC	0.94	3/4 X 3/4 X 3.74
6190/5Y	3.625	5.31	3/4-10UNC	1.34	7/8 X 7/8 X 4.92
6205Y	3.875	6.50	3/4-10UNC	1.34	1 X 1 X 6.50

***Shaft Tolerances**

Shaft Nominal Diameter (inches)	Tolerances (inches)
0.500 (1/2) through 0.625 (5/8)	+0.0000/-0.0004
0.750 (3/4) through 1.125 (1 1/8)	+0.0000/-0.0005
1.250 (1 1/4) through 1.875 (1 7/8)	+0.0000/-0.0006
2.000 (2) through 3.125 (3 1/8)	+0.0000/-0.0007
3.250 (3 1/4) through 4.625 (4 5/8)	+0.0000/-0.0009
4.750 (4 3/4) through 7.000 (7)	+0.0000/-0.0010

Model	Motor		Without Brake						Appx Wt (lb)	With Brake						Appx Wt (lb)
	HP	Pole	C	O	AB	L	MP	C		O	AB	L	MP	MS	MT	
CHHM2-6160/5Y	2	4	22.95	12.20	5.63	3.94	6.30	205	25.39	12.20	5.63	6.38	6.30	4.53	4.49	216
CHHM3-6160/5Y	3	4	23.54	12.20	5.91	4.13	6.81	212	26.02	12.20	5.91	6.61	6.81	4.76	4.88	225
CHHM5-6160/5Y	5	4	24.45	12.20	6.54	5.00	8.35	232	27.28	12.20	6.54	7.83	8.35	5.20	6.18	254
CHHM8-6160/5Y	7.5	4	26.18	12.20	6.54	5.00	8.35	247	29.02	12.20	6.54	7.83	8.35	5.20	6.18	269
CHHM10-6160/5Y	10	4	27.28	13.11	8.31	5.63	9.88	282	31.02	13.11	8.31	9.37	9.88	6.69	7.17	320
CHHM/PHHM15-6160/5Y	15	4	29.65	13.11	8.31	5.63	9.88	313	33.39	13.11	8.31	9.37	9.88	6.69	7.17	351
CHHM/PHHM20-6160/5Y ^[1]	20	4	32.99	14.49	9.13	11.61	12.76	430	36.54	14.49	9.13	15.16	12.76	8.66	-	503
CHHM/PHHM25-6160/5Y ^[1]	25	4	36.73	14.49	11.69	13.39	15.51	589	45.00	14.49	11.69	21.65	15.51	14.45	-	701
CHHM/PHHM30-6160/5Y ^[1]	30	4	36.73	14.49	11.69	13.39	15.51	589	45.00	14.49	11.69	21.65	15.51	14.45	-	701

Note: [1] Motor frame extends below the unit base.



Dimensions Integral Foot Mount

Single Reduction

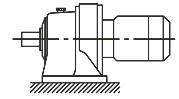
CHHM-6160/5 ▶ 6205Y, PHHM-6160/5Y ▶ 6170/5Y (cont.)

All dimensions are in inches

Model	Motor		Without Brake						Appx Wt (lb)	With Brake						Appx Wt (lb)
	HP	Pole	C	O	AB	L	MP	C		O	AB	L	MP	MS	MT	
CHHM2-616HY	2	4	22.95	13.78	5.63	3.94	6.30	216	25.39	13.78	5.63	6.38	6.30	4.53	4.49	227
CHHM3-616HY	3	4	23.54	13.78	5.91	4.13	6.81	223	26.02	13.78	5.91	6.61	6.81	4.76	4.88	236
CHHM5-616HY	5	4	24.45	13.78	6.54	5.00	8.35	243	27.28	13.78	6.54	7.83	8.35	5.20	6.18	265
CHHM8-616HY	7.5	4	26.18	13.78	6.54	5.00	8.35	258	29.02	13.78	6.54	7.83	8.35	5.20	6.18	280
CHHM10-616HY	10	4	27.28	14.69	8.31	5.63	9.88	293	31.02	14.69	8.31	9.37	9.88	6.69	7.17	331
CHHM15-616HY	15	4	29.65	14.69	8.31	5.63	9.88	324	33.39	14.69	8.31	9.37	9.88	6.69	7.17	362
CHHM/PHHM20-616HY	20	4	32.99	16.06	9.13	11.61	12.76	441	36.54	16.06	9.13	15.16	12.76	8.66	-	514
CHHM/PHHM25-616HY	25	4	36.73	16.06	11.69	13.39	15.51	600	45.00	16.06	11.69	21.65	15.51	14.45	-	712
CHHM/PHHM30-616HY	30	4	36.73	16.06	11.69	13.39	15.51	600	45.00	16.06	11.69	21.65	15.51	14.45	-	712
CHHM5-6170/5Y	5	4	26.77	15.87	6.54	5.00	8.35	322	29.61	15.87	6.54	7.83	8.35	5.20	6.18	344
CHHM8-6170/5Y	7.5	4	28.50	15.87	6.54	5.00	8.35	337	31.34	15.87	6.54	7.83	8.35	5.20	6.18	359
CHHM10-6170/5Y	10	4	29.21	15.87	8.31	5.63	9.88	370	32.95	15.87	8.31	9.37	9.88	6.69	7.17	410
CHHM15-6170/5Y	15	4	31.57	15.87	8.31	5.63	9.88	401	35.31	15.87	8.31	9.37	9.88	6.69	7.17	441
CHHM/PHHM20-6170/5Y	20	4	34.72	16.26	9.13	11.61	12.76	520	38.27	16.26	9.13	15.16	12.76	8.66	-	593
CHHM/PHHM25-6170/5Y	25	4	38.46	16.81	11.69	13.39	15.51	670	46.73	16.81	11.69	21.65	15.51	14.45	-	783
CHHM/PHHM30-6170/5Y	30	4	38.46	16.81	11.69	13.39	15.51	670	46.73	16.81	11.69	21.65	15.51	14.45	-	783
CHHM/PHHM40-6170/5Y	40	4	38.46	16.85	11.69	13.39	15.51	708	46.73	16.81	11.69	21.65	15.51	14.57	-	803
CHHM5-6180/5Y	5	4	28.23	17.24	6.54	5.00	8.35	404	31.06	17.24	6.54	7.83	8.35	5.20	6.18	426
CHHM8-6180/5Y	7.5	4	29.96	17.24	6.54	5.00	8.35	421	32.80	17.24	6.54	7.83	8.35	5.20	6.18	443
CHHM10-6180/5Y	10	4	30.67	17.24	8.31	5.63	9.88	454	34.41	17.24	8.31	9.37	9.88	6.69	7.17	494
CHHM15-6180/5Y	15	4	33.03	17.24	8.31	5.63	9.88	485	36.77	17.24	8.31	9.37	9.88	6.69	7.17	525
CHHM20-6180/5Y	20	4	36.18	17.24	9.13	11.61	12.76	617	39.72	17.24	9.13	15.16	12.76	8.66	-	679
CHHM25-6180/5Y	25	4	39.92	17.64	11.69	13.39	15.51	754	48.19	17.64	11.69	21.65	15.51	14.45	-	867
CHHM30-6180/5Y	30	4	39.92	17.64	11.69	13.39	15.51	754	48.19	17.64	11.69	21.65	15.51	14.45	-	867
CHHM40-6180/5Y	40	4	39.92	17.64	11.69	13.39	15.51	792	48.19	17.64	11.69	21.65	15.51	14.57	-	886
CHHM50-6180/5Y	50	4	44.45	18.94	11.69	16.93	15.51	897	52.91	18.94	11.69	25.39	15.51	17.52	-	1111
CHHM60-6180/5Y	60	4	44.45	18.94	11.69	16.93	15.51	897	52.91	18.94	11.69	25.39	15.51	17.52	-	1111
CHHM8-6190/5Y	7.5	4	33.74	20.12	6.54	5.00	8.35	584	36.57	20.12	6.54	7.83	8.35	5.20	6.18	606
CHHM10-6190/5Y	10	4	34.25	20.12	8.31	5.63	9.88	613	37.99	20.12	8.31	9.37	9.88	6.69	7.17	653
CHHM15-6190/5Y	15	4	36.61	20.12	8.31	5.63	9.88	644	40.35	20.12	8.31	9.37	9.88	6.69	7.17	684
CHHM20-6190/5Y	20	4	39.17	18.39	9.13	11.61	12.76	761	42.72	18.39	9.13	15.16	12.76	8.66	-	836
CHHM25-6190/5Y	25	4	42.91	20.12	11.69	13.39	15.51	919	51.18	20.12	11.69	21.65	15.51	14.45	-	1019
CHHM256-6190/5Y	25	6	42.91	20.12	11.69	13.39	15.51	953	51.18	20.12	11.69	21.65	15.51	14.45	-	1047
CHHM30-6190/5Y	30	4	42.91	20.12	11.69	13.39	15.51	919	51.18	20.12	11.69	21.65	15.51	14.45	-	1019
CHHM40-6190/5Y	40	4	42.91	20.12	11.69	13.39	15.51	953	51.18	20.12	11.69	21.65	15.51	14.57	-	1047
CHHM406-6190/5Y	40	6	47.44	20.12	11.69	16.93	15.51	1036	55.91	20.12	11.69	25.39	15.51	17.52	-	1250
CHHM50-6190/5Y	50	4	47.44	20.12	11.69	16.93	15.51	1036	55.91	20.12	11.69	25.39	15.51	17.52	-	1250
CHHM506-6190/5Y	50	6	47.44	20.12	11.69	16.93	15.51	1036	55.91	20.12	11.69	25.39	15.51	17.52	-	1250
CHHM60-6190/5Y	60	4	47.44	20.12	11.69	16.93	15.51	1036	55.91	20.12	11.69	25.39	15.51	17.52	-	1250
CHHM15-6205Y	15	4	38.27	20.87	8.31	5.63	9.88	690	42.01	20.87	8.31	9.37	9.88	6.69	7.17	730
CHHM20-6205Y	20	4	41.02	20.87	9.13	11.61	12.76	809	44.57	20.87	9.13	15.16	12.76	8.66	-	886
CHHM206-6205Y	20	6	44.37	20.87	11.69	13.39	15.51	966	52.64	20.87	11.69	21.65	15.51	14.45	-	1065
CHHM25-6205Y	25	4	44.37	20.87	11.69	13.39	15.51	966	52.64	20.87	11.69	21.65	15.51	14.45	-	1065
CHHM256-6205Y	25	6	44.37	20.87	11.69	13.39	15.51	966	52.64	20.87	11.69	21.65	15.51	14.45	-	1065
CHHM30-6205Y	30	4	44.37	20.87	11.69	13.39	15.51	966	52.64	20.87	11.69	21.65	15.51	14.45	-	1065
CHHM306-6205Y	30	6	44.37	20.87	11.69	13.39	15.51	994	52.64	20.87	11.69	21.65	15.51	14.57	-	1094
CHHM40-6205Y	40	4	44.37	20.87	11.69	13.39	15.51	994	52.64	20.87	11.69	21.65	15.51	14.57	-	1094
CHHM406-6205Y	40	6	48.90	20.87	11.69	16.93	15.51	1078	57.36	20.87	11.69	25.39	15.51	17.52	-	1286
CHHM50-6205Y	50	4	48.90	20.87	11.69	16.93	15.51	1078	57.36	20.87	11.69	25.39	15.51	17.52	-	1286
CHHM506-6205Y	50	6	48.90	20.87	11.69	16.93	15.51	1078	57.36	20.87	11.69	25.39	15.51	17.52	-	1286
CHHM60-6205Y	60	4	48.90	20.87	11.69	16.93	15.51	1078	57.36	20.87	11.69	25.39	15.51	17.52	-	1286
CHHM606-6205Y	60	6	51.06	22.64	16.22	18.31	19.06	1283	-	-	-	-	-	-	-	-
CHHM75-6205Y	75	4	51.06	22.64	16.22	18.31	19.06	1283	-	-	-	-	-	-	-	-

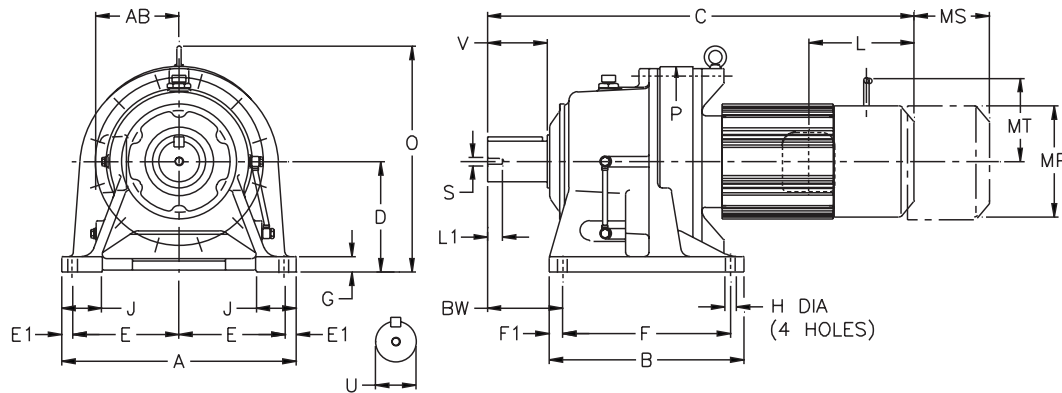
Gearmotors

Dimensions



Dimensions Integral Foot Mount

Single Reduction CHHM-6215Y ▶ 6265Y



All dimensions are in inches

Model CHHM	A	B	D	E	E1	F	F1	G	H	J	P	BW
6215Y	22.83	18.70	10.433	9.45	1.97	15.55	1.57	1.57	1.02	4.33	19.96	8.27
6225Y	24.41	20.47	11.024	10.63	1.57	16.54	1.97	1.57	1.30	4.53	21.61	9.06
6235Y	26.38	22.05	11.811	11.42	1.77	18.11	1.97	1.77	1.30	4.72	23.27	10.24
6245Y	28.35	22.83	13.189	12.40	1.77	18.90	1.97	1.77	1.54	5.04	25.08	10.35
6255Y	30.71	24.80	14.764	13.19	2.17	20.47	2.17	1.97	1.54	5.51	27.68	12.60
6265Y	34.65	27.56	15.748	15.16	2.17	23.23	2.17	2.17	1.77	6.30	30.39	15.35

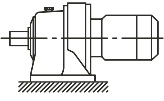
Model CHHM	U*	V	Low Speed Shaft		Key
			S	L1	
6215Y	4.250	6.50	3/4-10UNC	1.34	1 X 1 X 6.50
6225Y	4.625	6.50	3/4-10UNC	1.34	1-1/4 X 7/8 X 6.5
6235Y	5.000	7.87	1-8UNC	1.61	1-1/4 X 7/8 X 7.87
6245Y	5.500	7.87	1-8UNC	1.61	1-1/4 X 7/8 X 7.87
6255Y	6.250	9.45	1-1/4-7UNC	1.93	1-1/2 X 1 X 9.45
6265Y	6.625	11.81	1-1/4-7UNC	1.93	1-3/4 X 1-1/4 X 11.8

***Shaft Tolerances**

Shaft Nominal Diameter (inches)	Tolerances (inches)
0.500 (1/2) through 0.625 (5/8)	+0.0000/-0.0004
0.750 (3/4) through 1.125 (1 1/8)	+0.0000/-0.0005
1.250 (1 1/4) through 1.875 (1 7/8)	+0.0000/-0.0006
2.000 (2) through 3.125 (3 1/8)	+0.0000/-0.0007
3.250 (3 1/4) through 4.625 (4 5/8)	+0.0000/-0.0009
4.750 (4 3/4) through 7.000 (7)	+0.0000/-0.0010

Gearmotors

Dimensions



Dimensions Integral Foot Mount

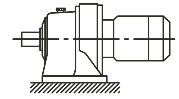
Single Reduction CHHM-6215Y ▶ 6265Y (cont.)

All dimensions are in inches

Model	Motor		Without Brake					Appx Wt (lb)	With Brake							Appx Wt (lb)
	HP	Pole	C	O	AB	L	MP		C	O	AB	L	MP	MS	MT	
CHHM15-6215Y	15	4	39.21	22.64	8.31	5.63	9.88	871	42.95	22.64	8.31	9.37	9.88	6.69	7.17	911
CHHM20-6215Y	20	4	41.97	22.64	9.13	11.61	12.76	992	45.51	22.64	9.13	15.16	12.76	8.66	-	1067
CHHM206-6215Y	20	6	45.31	22.64	11.69	13.39	15.51	1136	53.58	22.64	11.69	21.65	15.51	14.45	-	1235
CHHM25-6215Y	25	4	45.31	22.64	11.69	13.39	15.51	1136	53.58	22.64	11.69	21.65	15.51	14.45	-	1235
CHHM256-6215Y	25	6	45.31	22.64	11.69	13.39	15.51	1164	53.58	22.64	11.69	21.65	15.51	14.45	-	1263
CHHM30-6215Y	30	4	45.31	22.64	11.69	13.39	15.51	1136	53.58	22.64	11.69	21.65	15.51	14.45	-	1235
CHHM306-6215Y	30	6	45.31	22.64	11.69	13.39	15.51	1164	53.58	22.64	11.69	21.65	15.51	14.57	-	1263
CHHM40-6215Y	40	4	45.31	22.64	11.69	13.39	15.51	1164	53.58	22.64	11.69	21.65	15.51	14.57	-	1263
CHHM406-6215Y	40	6	49.84	22.64	11.69	16.93	15.51	1248	58.31	22.64	11.69	25.39	15.51	17.52	-	1458
CHHM50-6215Y	50	4	49.84	22.64	11.69	16.93	15.51	1248	58.31	22.64	11.69	25.39	15.51	17.52	-	1458
CHHM506-6215Y	50	6	49.84	22.64	11.69	16.93	15.51	1248	58.31	22.64	11.69	25.39	15.51	17.52	-	1458
CHHM60-6215Y	60	4	49.84	22.64	11.69	16.93	15.51	1248	58.31	22.64	11.69	25.39	15.51	17.52	-	1458
CHHM606-6215Y	60	6	52.01	22.64	16.22	18.31	19.06	1491	-	-	-	-	-	-	-	-
CHHM75-6215Y	75	4	52.01	22.64	16.22	18.31	19.06	1491	-	-	-	-	-	-	-	-
CHHM206-6225Y	20	6	46.89	24.02	11.69	13.39	15.51	1323	55.16	24.02	11.69	21.65	15.51	14.45	-	1422
CHHM25-6225Y	25	4	46.89	24.02	11.69	13.39	15.51	1323	55.16	24.02	11.69	21.65	15.51	14.45	-	1422
CHHM256-6225Y	25	6	46.89	24.02	11.69	13.39	15.51	1352	55.16	24.02	11.69	21.65	15.51	14.45	-	1451
CHHM30-6225Y	30	4	46.89	24.02	11.69	13.39	15.51	1323	55.16	24.02	11.69	21.65	15.51	14.45	-	1422
CHHM306-6225Y	30	6	46.89	24.02	11.69	13.39	15.51	1352	55.16	24.02	11.69	21.65	15.51	14.57	-	1451
CHHM40-6225Y	40	4	46.89	24.02	11.69	13.39	15.51	1352	55.16	24.02	11.69	21.65	15.51	14.57	-	1451
CHHM406-6225Y	40	6	51.42	24.02	11.69	16.93	15.51	1435	59.88	24.02	11.69	25.39	15.51	17.52	-	1645
CHHM50-6225Y	50	4	51.42	24.02	11.69	16.93	15.51	1435	59.88	24.02	11.69	25.39	15.51	17.52	-	1645
CHHM506-6225Y	50	6	51.42	24.02	11.69	16.93	15.51	1435	59.88	24.02	11.69	25.39	15.51	17.52	-	1645
CHHM60-6225Y	60	4	51.42	24.02	11.69	16.93	15.51	1435	59.88	24.02	11.69	25.39	15.51	17.52	-	1645
CHHM606-6225Y	60	6	53.58	24.02	16.22	18.31	19.06	1654	-	-	-	-	-	-	-	-
CHHM75-6225Y	75	4	53.58	24.02	16.22	18.31	19.06	1654	-	-	-	-	-	-	-	-
CHHM206-6235Y	20	6	49.33	26.26	11.69	13.39	15.51	1539	57.60	26.26	11.69	21.65	15.51	14.45	-	1607
CHHM256-6235Y	25	6	49.33	26.26	11.69	13.39	15.51	1539	57.60	26.26	11.69	21.65	15.51	14.45	-	1638
CHHM306-6235Y	30	6	49.33	26.26	11.69	13.39	15.51	1539	57.60	26.26	11.69	21.65	15.51	14.57	-	1638
CHHM406-6235Y	40	6	53.86	26.26	11.69	16.93	15.51	1641	62.32	26.26	11.69	25.39	15.51	17.52	-	1835
CHHM506-6235Y	50	6	53.86	26.26	11.69	16.93	15.51	1641	62.32	26.26	11.69	25.39	15.51	17.52	-	1835
CHHM606-6235Y	60	6	56.02	26.26	16.22	18.31	19.06	1837	-	-	-	-	-	-	-	-
CHHM756-6235Y	75	6	59.17	26.26	16.22	19.88	19.09	1956	-	-	-	-	-	-	-	-
CHHM206-6245Y	20	6	50.47	28.70	11.69	13.39	15.51	1806	58.74	28.70	11.69	21.65	15.51	14.45	-	1879
CHHM256-6245Y	25	6	50.47	28.70	11.69	13.39	15.51	1806	58.74	28.70	11.69	21.65	15.51	14.45	-	1910
CHHM306-6245Y	30	6	50.47	28.70	11.69	13.39	15.51	1806	58.74	28.70	11.69	21.65	15.51	14.57	-	1910
CHHM406-6245Y	40	6	55.00	28.70	11.69	16.93	15.51	1907	63.46	28.70	11.69	25.39	15.51	17.52	-	2101
CHHM506-6245Y	50	6	55.00	28.70	11.69	16.93	15.51	1907	63.46	28.70	11.69	25.39	15.51	17.52	-	2101
CHHM606-6245Y	60	6	57.17	28.70	16.22	18.31	19.06	2108	-	-	-	-	-	-	-	-
CHHM756-6245Y	75	6	60.31	28.70	16.22	19.88	19.09	2216	-	-	-	-	-	-	-	-
CHHM256-6255Y	25	6	55.12	32.09	11.69	13.39	15.51	2536	63.39	32.09	11.69	21.65	15.51	14.45	-	2639
CHHM306-6255Y	30	6	55.12	32.09	11.69	13.39	15.51	2536	63.39	32.09	11.69	21.65	15.51	14.57	-	2639
CHHM406-6255Y	40	6	59.65	32.09	11.69	16.93	15.51	2635	68.11	32.09	11.69	25.39	15.51	17.52	-	2829
CHHM506-6255Y	50	6	59.65	32.09	11.69	16.93	15.51	2635	68.11	32.09	11.69	25.39	15.51	17.52	-	2829
CHHM606-6255Y	60	6	61.81	32.09	16.22	18.31	19.06	2811	-	-	-	-	-	-	-	-
CHHM756-6255Y	75	6	64.96	32.09	16.22	19.88	19.09	2933	-	-	-	-	-	-	-	-
CHHM406-6265Y	40	6	64.25	34.41	11.69	16.93	15.51	3175	72.72	34.41	11.69	25.39	15.51	17.52	-	3369
CHHM506-6265Y	50	6	64.25	34.41	11.69	16.93	15.51	3175	72.72	34.41	11.69	25.39	15.51	17.52	-	3369
CHHM606-6265Y	60	6	66.42	34.41	16.22	18.31	19.06	3385	-	-	-	-	-	-	-	-
CHHM756-6265Y	75	6	69.56	34.41	16.22	19.88	19.06	3493	-	-	-	-	-	-	-	-

Gearmotors

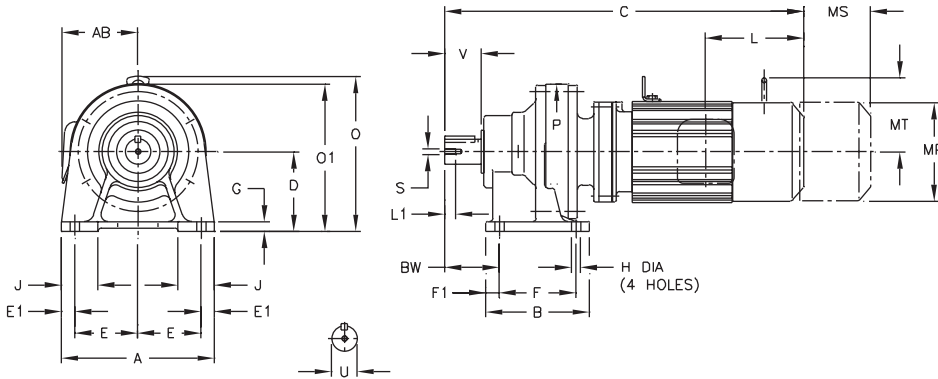
Dimensions



Dimensions Integral Foot Mount

Double Reduction

CNHM-6060/5DAY ▶ 6120/5DBY



All dimensions are in inches

Model CNHM	A	B	D	E	E1	F	F1	G	H	J	P	BW
6060/5DAY	5.67	3.31	3.150	2.36	0.47	2.36	0.47	0.39	0.35	1.38	4.33	1.61
6070/5DAY	5.67	3.31	3.150	2.36	0.47	2.36	0.47	0.39	0.35	1.38	4.33	1.85
6090/5DAY	7.09	5.31	3.937	2.95	0.59	3.54	0.59	0.47	0.43	1.57	5.91	2.36
6100/5DAY	7.09	5.31	3.937	2.95	0.59	3.54	0.59	0.47	0.43	1.57	5.91	2.36
6120/5DBY	9.06	6.10	4.724	3.74	0.79	4.53	0.79	0.59	0.55	2.17	8.03	3.23

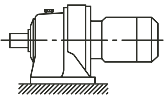
Model CNHM	Low Speed Shaft				
	U*	V	S	L1	Key
6060/5DAY	0.500	0.98	0.63	10-32UNF	1/8 X 1/8 X .79
6070/5DAY	0.750	1.18	0.63	12-28UNF	3/16 X 3/16 X 1.06
6090/5DAY	1.125	1.38	0.79	5/16-18UNC	1/4 X 1/4 X 1.18
6100/5DAY	1.125	1.38	0.79	5/16-18UNC	1/4 X 1/4 X 1.18
6120/5DBY	1.500	2.17	0.79	5/16-18UNC	3/8 X 3/8 X 1.77

***Shaft Tolerances**

Shaft Nominal Diameter (inches)	Tolerances (inches)
0.500 (1/2) through 0.625 (5/8)	+0.0000/-0.0004
0.750 (3/4) through 1.125 (1 1/8)	+0.0000/-0.0005
1.250 (1 1/4) through 1.875 (1 7/8)	+0.0000/-0.0006

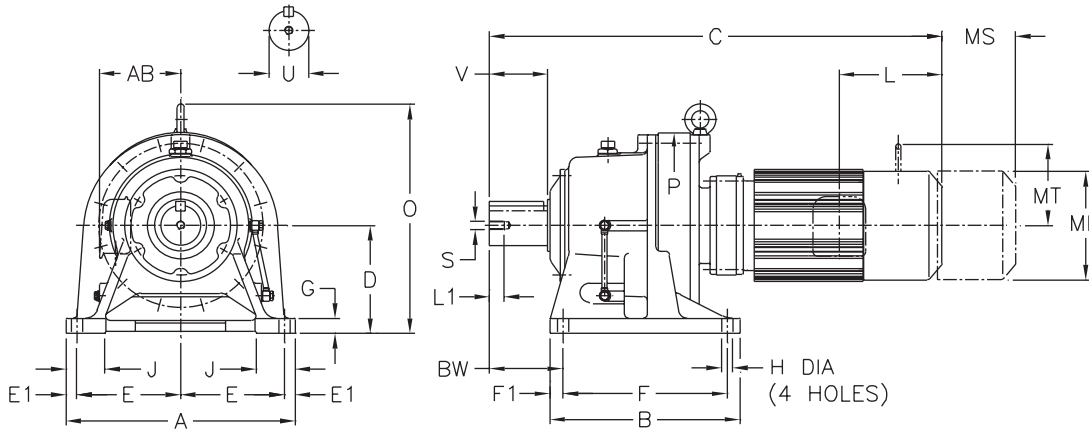
Gearmotors
Dimensions

Model	Motor		Without Brake							Appx Wt (lb)	With Brake							Appx Wt (lb)
	HP	Pole	C	O	O1	AB	L	MP	C		O	O1	AB	L	MP	MS	MT	
CNHM01-6060/5DAY	1/8	4	10.20	-	5.59	5.04	1.38	4.69	18	11.57	-	5.59	5.04	2.76	4.88	1.93	-	20
CNHM01-6070/5DAY	1/8	4	10.43	-	5.59	5.04	1.38	4.69	18	11.81	-	5.59	5.04	2.76	4.88	1.93	-	20
CNHM02-6070/5DAY	1/4	4	12.09	-	5.59	5.04	2.32	4.88	20	13.35	-	5.59	5.04	3.58	4.88	2.40	-	22
CNHM01-6090/5DAY	1/8	4	12.76	8.15	-	5.04	1.38	4.69	35	14.13	8.15	-	5.04	2.76	4.88	1.93	-	37
CNHM02-6090/5DAY	1/4	4	14.41	8.15	-	5.04	2.32	4.88	37	15.67	8.15	-	5.04	3.58	4.88	2.40	-	40
CNHM03-6090/5DAY	1/3	4	14.41	8.15	-	5.04	2.32	4.88	37	15.67	8.15	-	5.04	3.58	4.88	2.40	-	40
CNHM05-6090/5DAY	1/2	4	15.20	8.15	-	5.04	2.32	4.88	40	16.46	8.15	-	5.04	3.58	4.88	2.40	-	42
CNHM01-6100/5DAY	1/8	4	13.31	8.15	-	5.04	1.38	4.69	40	14.69	8.15	-	5.04	2.76	4.88	1.93	-	42
CNHM02-6100/5DAY	1/4	4	14.96	8.15	-	5.04	2.32	4.88	42	16.22	8.15	-	5.04	3.58	4.88	2.40	-	44
CNHM03-6100/5DAY	1/3	4	14.96	8.15	-	5.04	2.32	4.88	42	16.22	8.15	-	5.04	3.58	4.88	2.40	-	44
CNHM05-6100/5DAY	1/2	4	15.75	8.15	-	5.04	2.32	4.88	44	17.01	8.15	-	5.04	3.58	4.88	2.40	-	46
CNHM01-6120/5DBY	1/8	4	15.20	10.12	-	5.04	1.38	4.69	71	16.57	10.12	-	5.04	2.76	4.88	1.93	-	75
CNHM03-6120/5DBY	1/4	4	16.85	10.12	-	5.04	2.32	4.88	73	18.62	10.12	-	5.04	3.58	4.88	2.40	-	77
CNHM05-6120/5DBY	1/2	4	17.64	10.12	-	5.04	2.32	4.88	75	18.62	10.12	-	5.04	3.58	4.88	2.40	-	79
CNHM08-6120/5DBY	3/4	4	19.25	10.12	-	5.43	3.82	5.83	84	20.94	10.12	-	5.43	5.51	5.83	3.66	4.17	90
CNHM1-6120/5DBY	1	4	19.25	10.12	-	5.43	3.82	5.83	84	20.94	10.12	-	5.43	5.51	5.83	3.66	4.17	90
CNHM1H-6120/5DBY	1.5	4	20.31	10.12	-	5.63	3.94	6.30	90	22.76	10.12	-	5.63	6.38	6.30	4.53	4.49	101
CNHM2-6120/5DBY	2	4	20.31	10.12	-	5.63	3.94	6.30	90	22.76	10.12	-	5.63	6.38	6.30	4.53	4.49	101



Dimensions Integral Foot Mount

Double Reduction CHHM-6130/5DCY ▶ 6140/5DBY



All dimensions are in inches

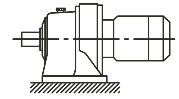
Model CHHM	A	B	D	E	E1	F	F1	G	H	J	P	BW
6130/5DCY	12.99	7.68	5.906	5.71	0.79	5.71	0.98	0.87	0.71	2.56	9.06	3.94
6140/5DBY	12.99	7.68	5.906	5.71	0.79	5.71	0.98	0.87	0.71	2.56	9.06	4.72

Model CHHM	U*	V	Low Speed Shaft		
			S	L1	Key
6130/5DCY	1.875	2.76	3/8-16UNC	0.71	1/2 X 1/2 X 2.16
6140/5DBY	1.875	3.54	3/8-16UNC	0.71	1/2 X 1/2 X 2.95

***Shaft Tolerances**

Shaft Nominal Diameter (inches)	Tolerances (inches)
0.500 (1/2) through 0.625 (5/8)	+0.0000/-0.0004
0.750 (3/4) through 1.125 (1 1/8)	+0.0000/-0.0005
1.250 (1 1/4) through 1.875 (1 7/8)	+0.0000/-0.0006
2.000 (2) through 3.125 (3 1/8)	+0.0000/-0.0007
3.250 (3 1/4) through 4.625 (4 5/8)	+0.0000/-0.0009
4.750 (4 3/4) through 7.000 (7)	+0.0000/-0.0010

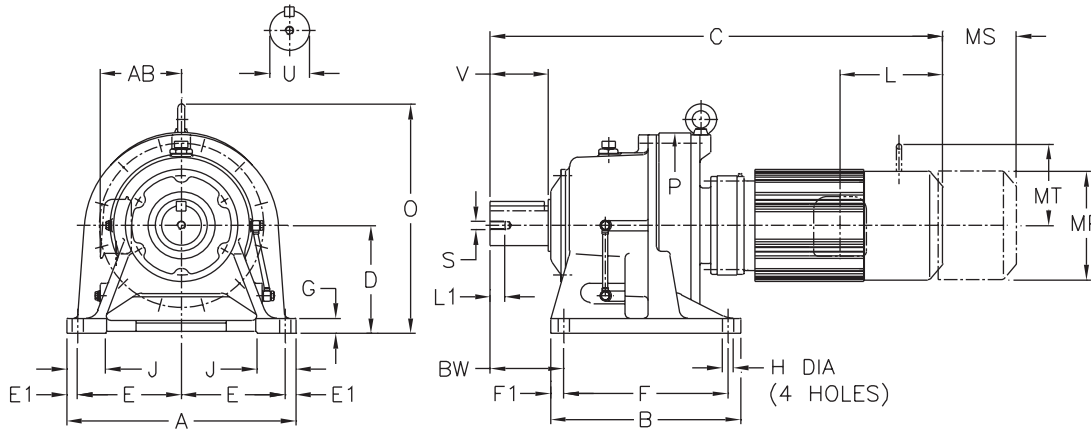
Model	Motor		Without Brake						Appx Wt (lb)	With Brake						Appx Wt (lb)
	HP	Pole	C	O	AB	L	MP	C		O	AB	L	MP	MS	MT	
CHHM02-6130/5DCY	1/4	4	19.41	11.81	5.04	2.32	4.88	110	20.67	11.81	5.04	3.58	4.88	2.40	-	115
CHHM03-6130/5DCY	1/3	4	19.41	11.81	5.04	2.32	4.88	110	20.67	11.81	5.04	3.58	4.88	2.40	-	115
CHHM05-6130/5DCY	1/2	4	20.20	11.81	5.04	2.32	4.88	112	21.46	11.81	5.04	3.58	4.88	2.40	-	117
CHHM08-6130/5DCY	3/4	4	21.81	10.35	5.43	3.82	5.83	121	23.50	10.35	5.43	5.51	5.83	3.66	4.17	128
CHHM1-6130/5DCY	1	4	21.81	10.35	5.43	3.82	5.83	121	23.50	10.35	5.43	5.51	5.83	3.66	4.17	128
CHHM1H-6130/5DCY	1.5	4	23.11	10.63	5.63	3.94	6.30	130	25.55	10.63	5.63	6.38	6.30	4.53	4.49	141
CHHM2-6130/5DCY	2	4	23.11	10.63	5.63	3.94	6.30	130	25.55	10.63	5.63	6.38	6.30	4.53	4.49	141
CHHM3-6130/5DCY	3	4	23.90	10.87	5.91	4.13	6.81	139	26.38	10.87	5.91	6.61	6.81	4.76	4.88	152
CHHM02-6140/5DBY	1/4	4	19.65	11.81	5.04	2.32	4.88	106	20.91	11.81	5.04	3.58	4.88	2.40	-	110
CHHM03-6140/5DBY	1/3	4	19.65	11.81	5.04	2.32	4.88	106	20.91	11.81	5.04	3.58	4.88	2.40	-	110
CHHM05-6140/5DBY	1/2	4	20.43	11.81	5.04	2.32	4.88	108	21.69	11.81	5.04	3.58	4.88	2.40	-	112
CHHM08-6140/5DBY	3/4	4	22.05	10.35	5.43	3.82	5.83	117	23.74	10.35	5.43	5.51	5.83	3.66	4.17	123
CHHM1-6140/5DBY	1	4	22.05	10.35	5.43	3.82	5.83	117	23.74	10.35	5.43	5.51	5.83	3.66	4.17	123
CHHM1H-6140/5DBY	1.5	4	23.35	10.63	5.63	3.94	6.30	123	25.79	10.63	5.63	6.38	6.30	4.53	4.49	135
CHHM2-6140/5DBY	2	4	23.35	10.63	5.63	3.94	6.30	123	25.79	10.63	5.63	6.38	6.30	4.53	4.49	135



Dimensions Integral Foot Mount

Double Reduction

CHHM-6160/5DCY ▶ 6190/5DBY



All dimensions are in inches

Model CHHM	A	B	D	E	E1	F	F1	G	H	J	P	BW
6160/5DCY	16.14	9.37	6.299	7.28	0.79	5.91	1.73	0.98	0.71	2.95	11.81	5.47
6170/5DCY	16.93	13.19	7.874	7.48	0.98	10.83	1.18	1.18	0.87	3.15	13.39	4.92
6180/5DBY	18.50	14.96	8.661	8.27	0.98	12.60	1.18	1.18	0.87	3.35	14.57	5.71
6190/5DAY	20.87	17.32	9.843	9.45	0.98	14.96	1.18	1.38	1.02	3.54	16.93	6.69
6190/5DBY	20.87	17.32	9.843	9.45	0.98	14.96	1.18	1.38	1.02	3.54	16.93	6.69

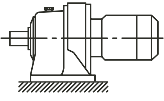
Gearmotors

Dimensions

Model CHHM	U*	V	Low Speed Shaft		Key
			S	L1	
6160/5DCY	2.250	3.54	3/8-16UNC	0.71	1/2 X 1/2 X 2.95
6170/5DCY	2.750	3.54	1/2-13UNC	0.94	5/8 X 5/8 X 3.15
6180/5DBY	3.125	4.33	1/2-13UNC	0.94	3/4 X 3/4 X 3.74
6190/5DAY	3.625	5.31	3/4-10UNC	1.34	7/8 X 7/8 X 4.92
6190/5DBY	3.625	5.31	3/4-10UNC	1.34	7/8 X 7/8 X 4.92

***Shaft Tolerances**

Shaft Nominal Diameter (inches)	Tolerances (inches)
0.500 (1/2) through 0.625 (5/8)	+0.0000/-0.0004
0.750 (3/4) through 1.125 (1 1/8)	+0.0000/-0.0005
1.250 (1 1/4) through 1.875 (1 7/8)	+0.0000/-0.0006
2.000 (2) through 3.125 (3 1/8)	+0.0000/-0.0007
3.250 (3 1/4) through 4.625 (4 5/8)	+0.0000/-0.0009
4.750 (4 3/4) through 7.000 (7)	+0.0000/-0.0010



Dimensions Integral Foot Mount

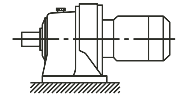
Double Reduction CHHM-6160/5DCY ▶ 6190/5DBY (cont.)

All dimensions are in inches

Model	Motor		Without Brake					Appx Wt (lb)	With Brake						Appx Wt (lb)	
	HP	Pole	C	O	AB	L	MP		C	O	AB	L	MP	MS		MT
CHHM05-6160/5DCY	1/2	4	23.07	13.74	5.04	2.32	4.88	216	24.49	13.74	5.04	3.58	4.88	2.40	-	221
CHHM08-6160/5DCY	3/4	4	24.65	13.74	5.43	3.82	5.83	225	26.34	13.74	5.43	5.51	5.83	3.66	4.17	232
CHHM1-6160/5DCY	1	4	24.65	13.74	5.43	3.82	5.83	225	26.34	13.74	5.43	5.51	5.83	3.66	4.17	232
CHHM1H-6160/5DCY	1.5	4	25.94	13.74	5.63	3.94	6.30	234	28.39	13.74	5.63	6.38	6.30	4.53	4.49	245
CHHM2-6160/5DCY	2	4	25.94	13.74	5.63	3.94	6.30	234	28.39	13.74	5.63	6.38	6.30	4.53	4.49	245
CHHM3-6160/5DCY	3	4	26.73	13.74	5.91	4.13	6.81	243	29.21	13.74	5.91	6.61	6.81	4.76	4.88	258
CHHM5-6160/5DCY	5	4	27.64	13.74	6.54	5.00	8.35	265	30.47	13.74	6.54	7.83	8.35	5.20	6.18	287
CHHM8-6160/5DCY	7.5	4	29.37	13.74	6.54	5.00	8.35	280	32.20	13.74	6.54	7.83	8.35	5.20	6.18	302
CHHM05-6170/5DCY	1/2	4	24.92	16.38	5.04	2.32	4.88	291	26.34	16.38	5.04	3.58	4.88	2.40	-	295
CHHM08-6170/5DCY	3/4	4	26.50	16.38	5.43	3.82	5.83	300	28.19	16.38	5.43	5.51	5.83	3.66	4.17	306
CHHM1-6170/5DCY	1	4	26.50	16.38	5.43	3.82	5.83	300	28.19	16.38	5.43	5.51	5.83	3.66	4.17	306
CHHM1H-6170/5DCY	1.5	4	27.80	16.38	5.63	3.94	6.30	309	30.24	16.38	5.63	6.38	6.30	4.53	4.49	320
CHHM2-6170/5DCY	2	4	27.80	16.38	5.63	3.94	6.30	309	30.24	16.38	5.63	6.38	6.30	4.53	4.49	320
CHHM3-6170/5DCY	3	4	28.58	16.38	5.91	4.13	6.81	318	31.06	16.38	5.91	6.61	6.81	4.76	4.88	333
CHHM5-6170/5DCY	5	4	29.49	16.38	6.54	5.00	8.35	340	32.32	16.38	6.54	7.83	8.35	5.20	6.18	362
CHHM8-6170/5DCY	7.5	4	31.22	16.38	6.54	5.00	8.35	355	34.06	16.38	6.54	7.83	8.35	5.20	6.18	377
CHHM1-6180/5DBY	1	4	28.86	17.76	5.43	3.82	5.83	417	30.55	17.76	5.43	5.51	5.83	3.66	4.17	423
CHHM1H-6180/5DBY	1.5	4	30.16	17.76	5.63	3.94	6.30	426	32.60	17.76	5.63	6.38	6.30	4.53	4.49	437
CHHM2-6180/5DBY	2	4	30.16	17.76	5.63	3.94	6.30	426	32.60	17.76	5.63	6.38	6.30	4.53	4.49	437
CHHM3-6180/5DBY	3	4	30.94	17.76	5.91	4.13	6.81	432	33.43	17.76	5.91	6.61	6.81	4.76	4.88	448
CHHM5-6180/5DBY	5	4	31.85	17.76	6.54	5.00	8.35	454	34.69	17.76	6.54	7.83	8.35	5.20	6.18	476
CHHM8-6180/5DBY	7.5	4	33.58	17.76	6.54	5.00	8.35	470	36.42	17.76	6.54	7.83	8.35	5.20	6.18	492
CHHM10-6180/5DBY	10	4	34.49	17.76	8.31	5.63	9.88	503	38.23	17.76	8.31	9.37	9.88	6.69	7.17	542
CHHM15-6180/5DBY	15	4	36.85	17.76	8.31	5.63	9.88	534	40.59	17.76	8.31	9.37	9.88	6.69	7.17	573
CHHM1-6190/5DAY	1	4	31.22	20.91	5.43	3.82	5.83	549	32.91	20.91	5.43	5.51	5.83	3.66	4.17	556
CHHM1H-6190/5DAY	1.5	4	32.52	20.91	5.63	3.94	6.30	558	34.96	20.91	5.63	6.38	6.30	4.53	4.49	569
CHHM2-6190/5DAY	2	4	32.52	20.91	5.63	3.94	6.30	558	34.96	20.91	5.63	6.38	6.30	4.53	4.49	569
CHHM3-6190/5DAY	3	4	33.31	20.91	5.91	4.13	6.81	567	35.79	20.91	5.91	6.61	6.81	4.76	4.88	582
CHHM5-6190/5DAY	5	4	34.21	20.91	6.54	5.00	8.35	589	37.05	20.91	6.54	7.83	8.35	5.20	6.18	611
CHHM8-6190/5DAY	7.5	4	35.94	20.91	6.54	5.00	8.35	604	38.78	20.91	6.54	7.83	8.35	5.20	6.18	626
CHHM5-6195DBY	5	4	34.84	20.91	6.54	5.00	8.35	604	37.68	20.91	6.54	7.83	8.35	5.20	6.18	626
CHHM8-6195DBY	7.5	4	36.57	20.91	6.54	5.00	8.35	620	39.41	20.91	6.54	7.83	8.35	5.20	6.18	642
CHHM10-6195DBY	10	4	37.48	20.91	8.31	5.63	9.88	653	41.22	20.91	8.31	9.37	9.88	6.69	7.17	692
CHHM15-6195DBY	15	4	39.84	20.91	8.31	5.63	9.88	684	43.58	20.91	8.31	9.37	9.88	6.69	7.17	723
CHHM20-6195DBY	20	4	43.39	20.91	9.13	11.61	12.76	798	46.93	20.91	9.13	15.16	12.76	8.66	-	871

Gearmotors

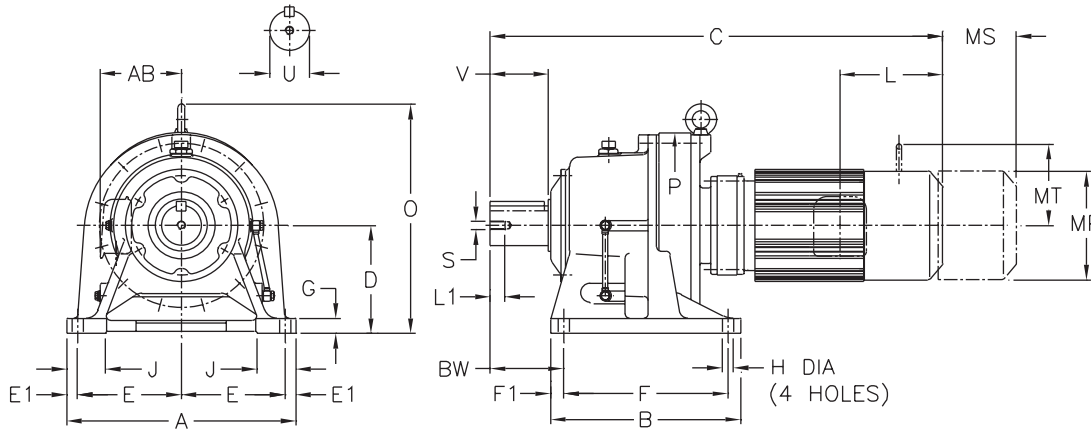
Dimensions



Dimensions Integral Foot Mount

Double Reduction

CHHM-6205DAY ▶ 6235DBY



All dimensions are in inches

Model CHHM	A	B	D	E	E1	F	F1	G	H	J	P	BW
6205DAY	20.87	17.32	9.843	8.66	1.77	14.17	1.57	1.38	1.02	3.94	17.64	8.46
6205DBY	20.87	17.32	9.843	8.66	1.77	14.17	1.57	1.38	1.02	3.94	17.64	8.46
6215DAY	22.83	18.70	10.433	9.45	1.97	15.55	1.57	1.57	1.02	4.33	19.09	8.27
6215DBY	22.83	18.70	10.433	9.45	1.97	15.55	1.57	1.57	1.02	4.33	19.09	8.27
6225DAY	24.41	20.47	11.024	10.63	1.57	16.54	1.97	1.57	1.30	4.53	20.71	9.06
6225DBY	24.41	20.47	11.024	10.63	1.57	16.54	1.97	1.57	1.30	4.53	20.71	9.06
6235DAY	26.38	22.05	11.811	11.42	1.77	18.11	1.97	1.77	1.30	4.72	22.13	10.24
6235DBY	26.38	22.05	11.811	11.42	1.77	18.11	1.97	1.77	1.30	4.72	22.13	10.24

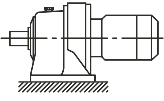
Gearmotors

Dimensions

Model CHHM	U*	V	Low Speed Shaft		Key
			S	L1	
6205DAY	3.875	6.50	3/4-10UNC	1.34	1 X 1 X 6.50
6205DBY	3.875	6.50	3/4-10UNC	1.34	1 X 1 X 6.50
6215DAY	4.250	6.50	3/4-10UNC	1.34	1 X 1 X 6.50
6215DBY	4.250	6.50	3/4-10UNC	1.34	1 X 1 X 6.50
6225DAY	4.625	6.50	3/4-10UNC	1.34	1-1/4 X 7/8 X 6.5
6225DBY	4.625	6.50	3/4-10UNC	1.34	1-1/4 X 7/8 X 6.5
6235DAY	5.000	7.87	1-8UNC	1.61	1-1/4 X 7/8 X 7.87
6235DBY	5.000	7.87	1-8UNC	1.61	1-1/4 X 7/8 X 7.87

*Shaft Tolerances

Shaft Nominal Diameter (inches)	Tolerances (inches)
0.500 (1/2) through 0.625 (5/8)	+0.0000/-0.0004
0.750 (3/4) through 1.125 (1 1/8)	+0.0000/-0.0005
1.250 (1 1/4) through 1.875 (1 7/8)	+0.0000/-0.0006
2.000 (2) through 3.125 (3 1/8)	+0.0000/-0.0007
3.250 (3 1/4) through 4.625 (4 5/8)	+0.0000/-0.0009
4.750 (4 3/4) through 7.000 (7)	+0.0000/-0.0010



Dimensions Integral Foot Mount

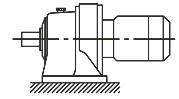
Double Reduction CHHM-6205DAY ▶ 6235DBY (cont.)

All dimensions are in inches

Model	Motor		Without Brake					Appx Wt (lb)	With Brake							Appx Wt (lb)
	HP	Pole	C	O	AB	L	MP		C	O	AB	L	MP	MS	MT	
CHHM1-6205DAY	1	4	32.83	20.87	5.43	3.82	5.83	591	34.53	20.87	5.43	5.51	5.83	3.66	4.17	598
CHHM2-6205DAY	2	4	34.13	20.87	5.63	3.94	6.30	600	36.57	20.87	5.63	6.38	6.30	4.53	4.49	611
CHHM3-6205DAY	3	4	34.92	20.87	5.91	4.13	6.81	609	37.36	20.87	5.91	6.61	6.81	4.76	4.88	624
CHHM5-6205DAY	5	4	35.83	20.87	6.54	5.00	8.35	631	38.66	20.87	6.54	7.83	8.35	5.20	6.18	653
CHHM8-6205DAY	7.5	4	37.56	20.87	6.54	5.00	8.35	646	40.39	20.87	6.54	7.83	8.35	5.20	6.18	668
CHHM2-6205DBY	2	4	35.19	20.87	5.63	3.94	6.30	626	37.67	20.87	5.63	6.38	6.30	4.53	4.49	637
CHHM3-6205DBY	3	4	35.98	20.87	5.91	4.13	6.81	635	38.46	20.87	5.91	6.61	6.81	4.76	4.88	650
CHHM5-6205DBY	5	4	36.89	20.87	6.54	5.00	8.35	657	39.72	20.87	6.54	7.83	8.35	5.20	6.18	679
CHHM8-6205DBY	7.5	4	38.62	20.87	6.54	5.00	8.35	673	41.46	20.87	6.54	7.83	8.35	5.20	6.18	695
CHHM10-6205DBY	10	4	39.53	20.87	8.31	5.63	9.88	706	43.27	20.87	8.31	9.37	9.88	6.69	7.17	745
CHHM15-6205DBY	15	4	41.89	20.87	8.31	5.63	9.88	734	45.63	20.87	8.31	9.37	9.88	6.69	7.17	774
CHHM20-6205DBY	20	4	45.43	20.87	9.13	11.61	12.76	849	48.58	20.87	9.13	15.16	12.76	8.66	-	919
CHHM2-6215DAY	2	4	36.22	22.64	5.63	3.94	6.30	807	38.66	22.64	5.63	6.38	6.30	4.53	4.49	818
CHHM3-6215DAY	3	4	37.01	22.64	5.91	4.13	6.81	814	39.49	22.64	5.91	6.61	6.81	4.76	4.88	829
CHHM5-6215DAY	5	4	37.91	22.64	6.54	5.00	8.35	836	40.75	22.64	6.54	7.83	8.35	5.20	6.18	858
CHHM8-6215DAY	7.5	4	39.65	22.64	6.54	5.00	8.35	851	42.48	22.64	6.54	7.83	8.35	5.20	6.18	873
CHHM10-6215DAY	10	4	40.55	22.64	8.31	5.63	9.88	884	44.29	22.64	8.31	9.37	9.88	6.69	7.17	924
CHHM15-6215DAY	15	4	42.91	22.64	8.31	5.63	9.88	913	46.65	22.64	8.31	9.37	9.88	6.69	7.17	953
CHHM20-6215DAY	20	4	46.46	22.64	9.13	11.61	12.76	1028	50.00	22.64	9.13	15.16	12.76	8.66	-	1100
CHHM10-6215DBY	10	4	41.73	22.64	8.31	5.63	9.88	928	45.47	22.64	8.31	9.37	9.88	6.69	7.17	966
CHHM15-6215DBY	15	4	44.09	22.64	8.31	5.63	9.88	959	47.83	22.64	8.31	9.37	9.88	6.69	7.17	997
CHHM20-6215DBY	20	4	47.44	22.64	9.13	11.61	12.76	1076	50.98	22.64	9.13	15.16	12.76	8.66	-	1149
CHHM25-6215DBY	25	4	51.18	22.64	11.69	13.39	15.51	1233	59.45	22.64	11.69	21.65	15.51	14.45	-	1345
CHHM30-6215DBY	30	4	51.18	22.64	11.69	13.39	15.51	1233	59.45	22.64	11.69	21.65	15.51	14.45	-	1345
CHHM2-6225DAY	2	4	37.87	24.02	5.63	3.94	6.30	970	40.31	24.02	5.63	6.38	6.30	4.53	4.49	981
CHHM3-6225DAY	3	4	38.66	24.02	5.91	4.13	6.81	977	41.14	24.02	5.91	6.61	6.81	4.76	4.88	992
CHHM5-6225DAY	5	4	39.57	24.02	6.54	5.00	8.35	999	42.40	24.02	6.54	7.83	8.35	5.20	6.18	1021
CHHM8-6225DAY	7.5	4	41.30	24.02	6.54	5.00	8.35	1014	44.13	24.02	6.54	7.83	8.35	5.20	6.18	1036
CHHM10-6225DAY	10	4	42.20	24.02	8.31	5.63	9.88	1047	45.94	24.02	8.31	9.37	9.88	6.69	7.17	1087
CHHM15-6225DAY	15	4	44.57	24.02	8.31	5.63	9.88	1078	48.31	24.02	8.31	9.37	9.88	6.69	7.17	1118
CHHM20-6225DAY	20	4	48.11	24.02	9.13	11.61	12.76	1193	51.65	24.02	9.13	15.16	12.76	8.66	-	1266
CHHM10-6225DBY	10	4	44.29	24.02	8.31	5.63	9.88	1147	48.03	24.02	8.31	9.37	9.88	6.69	7.17	1186
CHHM15-6225DBY	15	4	46.65	24.02	8.31	5.63	9.88	1177	50.39	24.02	8.31	9.37	9.88	6.69	7.17	1217
CHHM20-6225DBY	20	4	49.80	24.02	9.13	11.61	12.76	1297	53.35	24.02	9.13	15.16	12.76	8.66	-	1369
CHHM25-6225DBY	25	4	53.54	24.02	11.69	13.39	15.51	1446	61.81	24.02	11.69	21.65	15.51	14.45	-	1559
CHHM30-6225DBY	30	4	53.54	24.02	11.69	13.39	15.51	1446	61.81	24.02	11.69	21.65	15.51	14.45	-	1559
CHHM40-6225DBY	40	4	53.54	24.02	11.69	13.39	15.51	1484	61.81	24.02	11.69	21.65	15.51	14.57	-	1596
CHHM3-6235DAY	3	4	42.05	26.26	5.91	4.13	6.81	1235	44.53	26.26	5.91	6.61	6.81	4.76	4.88	1248
CHHM5-6235DAY	5	4	42.95	26.26	6.54	5.00	8.35	1255	45.79	26.26	6.54	7.83	8.35	5.20	6.18	1277
CHHM8-6235DAY	7.5	4	44.69	26.26	6.54	5.00	8.35	1270	47.52	26.26	6.54	7.83	8.35	5.20	6.18	1292
CHHM10-6235DAY	10	4	45.79	26.26	8.31	5.63	9.88	1305	49.53	26.26	8.31	9.37	9.88	6.69	7.17	1343
CHHM15-6235DAY	15	4	48.15	26.26	8.31	5.63	9.88	1336	51.89	26.26	8.31	9.37	9.88	6.69	7.17	1374
CHHM20-6235DAY	20	4	51.50	26.26	9.13	11.61	12.76	1453	55.04	26.26	9.13	15.16	12.76	8.66	-	1526
CHHM25-6235DAY	25	4	55.24	26.26	11.69	13.39	15.51	1614	63.50	26.26	11.69	21.65	15.51	14.45	-	1727
CHHM30-6235DAY	30	4	55.24	26.26	11.69	13.39	15.51	1614	63.50	26.26	11.69	21.65	15.51	14.45	-	1727
CHHM25-6235DBY	25	4	56.10	26.26	11.69	13.39	15.51	1675	64.37	26.26	11.69	21.65	15.51	14.57	-	1770
CHHM30-6235DBY	30	4	56.10	26.26	11.69	13.39	15.51	1675	64.37	26.26	11.69	21.65	15.51	14.57	-	1770
CHHM40-6235DBY	40	4	56.10	26.26	11.69	13.39	15.51	1713	64.37	26.26	11.69	21.65	15.51	14.57	-	1808
CHHM50-6235DBY	50	4	60.63	26.26	11.69	16.93	15.51	1797	69.09	26.26	11.69	25.39	15.51	17.52	-	2011

Gearmotors

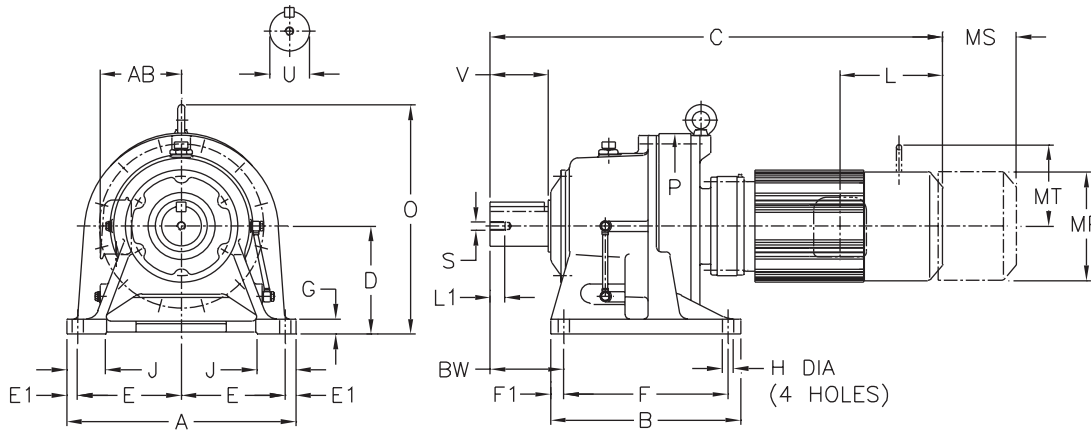
Dimensions



Dimensions Integral Foot Mount

Double Reduction

CHHM-6245DAY ▶ 6275DAY



All dimensions are in inches

Model CHHM	A	B	D	E	E1	F	F1	G	H	J	P	BW
6245DAY	28.35	22.83	13.189	12.40	1.77	18.90	1.97	1.77	1.54	5.04	24.17	10.35
6245DBY	28.35	22.83	13.189	12.40	1.77	18.90	1.97	1.77	1.54	5.04	24.17	10.35
6255DAY	30.71	24.80	14.764	13.19	2.17	20.47	2.17	1.97	1.54	5.51	26.38	12.60
6255DBY	30.71	24.80	14.764	13.19	2.17	20.47	2.17	1.97	1.54	5.51	26.38	12.60
6265DAY	34.65	27.56	15.748	15.16	2.17	23.23	2.17	2.17	1.77	6.30	28.98	15.35
6275DAY	45.67	40.94	21.260	20.67	2.17	16.54	3.94	2.36	1.77	7.87	37.40	19.09

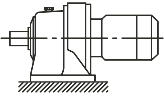
Gearmotors

Dimensions

Model CHHM	U*	V	Low Speed Shaft		
			S	L1	Key
6245DAY	5.500	7.87	1-8UNC	1.61	1-1/4 X 7/8 X 7.87
6245DBY	5.500	7.87	1-8UNC	1.61	1-1/4 X 7/8 X 7.87
6255DAY	6.250	9.45	1-1/4-7UNC	1.93	1-1/2 X 1 X 9.45
6255DBY	6.250	9.45	1-1/4-7UNC	1.93	1-1/2 X 1 X 9.45
6265DAY	6.625	11.81	1-1/4-7UNC	1.93	1-3/4 X 1-1/4 X 11.8
6275DAY	7.000	13.00	1-1/4-7UNC	2.05	1-3/4 X 1-1/4 X 13

***Shaft Tolerances**

Shaft Nominal Diameter (inches)	Tolerances (inches)
0.500 (1/2) through 0.625 (5/8)	+0.0000/-0.0004
0.750 (3/4) through 1.125 (1 1/8)	+0.0000/-0.0005
1.250 (1 1/4) through 1.875 (1 7/8)	+0.0000/-0.0006
2.000 (2) through 3.125 (3 1/8)	+0.0000/-0.0007
3.250 (3 1/4) through 4.625 (4 5/8)	+0.0000/-0.0009
4.750 (4 3/4) through 7.000 (7)	+0.0000/-0.0010



Dimensions Integral Foot Mount

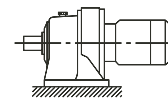
Double Reduction CHHM-6245DAY ▶ 6275DAY (cont.)

All dimensions are in inches

Model	Motor		Without Brake					Appx Wt (lb)	With Brake						Appx Wt (lb)	
	HP	Pole	C	O	AB	L	MP		C	O	AB	L	MP	MS		MT
CHHM3-6245DAY	3	4	43.54	28.70	5.91	4.13	6.81	1475	46.02	28.70	5.91	6.61	6.81	4.76	4.88	1488
CHHM5-6245DAY	5	4	44.45	28.70	6.54	5.00	8.35	1495	47.28	28.70	6.54	7.83	8.35	5.20	6.18	1517
CHHM8-6245DAY	7.5	4	46.18	28.70	6.54	5.00	8.35	1510	49.02	28.70	6.54	7.83	8.35	5.20	6.18	1532
CHHM10-6245DAY	10	4	47.28	28.70	8.31	5.63	9.88	1546	51.02	28.70	8.31	9.37	9.88	6.69	7.17	1583
CHHM15-6245DAY	15	4	49.65	28.70	8.31	5.63	9.88	1577	53.39	28.70	8.31	9.37	9.88	6.69	7.17	1614
CHHM20-6245DAY	20	4	52.99	28.70	9.13	11.61	12.76	1693	56.54	28.70	9.13	15.16	12.76	8.66	-	1766
CHHM25-6245DAY	25	4	56.73	28.70	11.69	13.39	15.51	1841	65.00	28.70	11.69	21.65	15.51	14.45	-	1954
CHHM20-6245DBY	20	4	53.82	28.70	9.13	11.61	12.76	1762	57.36	28.70	9.13	15.16	12.76	8.66	-	1824
CHHM25-6245DBY	25	4	57.56	28.70	11.69	13.39	15.51	1899	65.83	28.70	11.69	21.65	15.51	14.45	-	2011
CHHM30-6245DBY	30	4	57.56	28.70	11.69	13.39	15.51	1899	65.83	28.70	11.69	21.65	15.51	14.45	-	2011
CHHM40-6245DBY	40	4	57.56	28.70	11.69	13.39	15.51	1936	65.83	28.70	11.69	21.65	15.51	14.57	-	2031
CHHM50-6245DBY	50	4	62.09	28.70	11.69	16.93	15.51	2051	70.55	28.70	11.69	25.39	15.51	17.52	-	2265
CHHM5-6255DAY	5	4	50.55	32.09	6.54	5.00	8.35	2271	53.39	32.09	6.54	7.83	8.35	5.20	6.18	2293
CHHM8-6255DAY	7.5	4	52.28	32.09	6.54	5.00	8.35	2293	55.12	32.09	6.54	7.83	8.35	5.20	6.18	2315
CHHM10-6255DAY	10	4	52.99	32.09	8.31	5.63	9.88	2326	56.73	32.09	8.31	9.37	9.88	6.69	7.17	2359
CHHM15-6255DAY	15	4	55.35	32.09	8.31	5.63	9.88	2359	59.09	32.09	8.31	9.37	9.88	6.69	7.17	2392
CHHM20-6255DAY	20	4	58.50	32.09	9.13	11.61	12.76	2470	62.05	32.09	9.13	15.16	12.76	8.66	-	2547
CHHM25-6255DAY	25	4	62.24	32.09	11.69	13.39	15.51	2624	70.51	32.09	11.69	21.65	15.51	14.45	-	2736
CHHM30-6255DAY	30	4	62.24	32.09	11.69	13.39	15.51	2624	70.51	32.09	11.69	21.65	15.51	14.45	-	2736
CHHM40-6255DAY	40	4	62.24	32.09	11.69	13.39	15.51	2668	70.51	32.09	11.69	21.65	15.51	14.57	-	2763
CHHM25-6255DBY	25	4	63.11	32.09	11.69	13.39	15.51	2789	71.38	32.09	11.69	21.65	15.51	14.45	-	2902
CHHM30-6255DBY	30	4	63.11	32.09	11.69	13.39	15.51	2789	71.38	32.09	11.69	21.65	15.51	14.45	-	2902
CHHM40-6255DBY	40	4	63.11	32.09	11.69	13.39	15.51	2822	71.38	32.09	11.69	21.65	15.51	14.57	-	2917
CHHM50-6255DBY	50	4	67.64	32.09	11.69	16.93	15.51	2906	75.91	32.09	11.69	25.39	15.51	17.52	-	3120
CHHM60-6255DBY	60	4	67.64	32.09	11.69	16.93	15.51	2906	75.91	32.09	11.69	25.39	15.51	17.52	-	3120
CHHM8-6265DAY	7.5	4	58.27	34.41	6.54	5.00	8.35	3010	61.10	34.41	6.54	7.83	8.35	5.20	6.18	3032
CHHM10-6265DAY	10	4	58.78	34.41	8.31	5.63	9.88	3043	62.52	34.41	8.31	9.37	9.88	6.69	7.17	3087
CHHM15-6265DAY	15	4	61.14	34.41	8.31	5.63	9.88	3076	64.88	34.41	8.31	9.37	9.88	6.69	7.17	3109
CHHM20-6265DAY	20	4	63.70	34.41	9.13	11.61	12.76	3186	67.24	34.41	9.13	15.16	12.76	8.66	-	3263
CHHM25-6265DAY	25	4	67.44	34.41	11.69	13.39	15.51	3352	75.71	34.41	11.69	21.65	15.51	14.45	-	3451
CHHM30-6265DAY	30	4	67.44	34.41	11.69	13.39	15.51	3352	75.71	34.41	11.69	21.65	15.51	14.45	-	3451
CHHM40-6265DAY	40	4	67.44	34.41	11.69	13.39	15.51	3385	75.71	34.41	11.69	21.65	15.51	14.57	-	3479
CHHM50-6265DAY	50	4	71.97	34.41	11.69	16.93	15.51	3462	80.43	34.41	11.69	25.39	15.51	17.52	-	3676
CHHM60-6265DAY	60	4	71.97	34.41	11.69	16.93	15.51	3462	80.43	34.41	11.69	25.39	15.51	17.52	-	3676
CHHM10-6275DAY	10	4	69.06	45.71	8.31	5.63	9.88	5546	72.80	45.71	8.31	9.37	9.88	6.69	7.17	5590
CHHM15-6275DAY	15	4	71.42	45.71	8.31	5.63	9.88	5579	75.16	45.71	8.31	9.37	9.88	6.69	7.17	5612
CHHM20-6275DAY	20	4	73.98	45.71	9.13	11.61	12.76	5689	77.52	45.71	9.13	15.16	12.76	8.66	-	5766
CHHM25-6275DAY	25	4	77.72	45.71	11.69	13.39	15.51	5854	85.98	45.71	11.69	21.65	15.51	14.45	-	5954
CHHM30-6275DAY	30	4	77.72	45.71	11.69	13.39	15.51	5854	85.98	45.71	11.69	21.65	15.51	14.45	-	5954
CHHM40-6275DAY	40	4	77.72	45.71	11.69	13.39	15.51	5887	85.98	45.71	11.69	21.65	15.51	14.57	-	5982
CHHM50-6275DAY	50	4	82.24	45.71	11.69	16.93	15.51	5971	90.71	45.71	11.69	25.39	15.51	17.52	-	6185
CHHM60-6275DAY	60	4	82.24	45.71	11.69	16.93	15.51	5971	90.71	45.71	11.69	25.39	15.51	17.52	-	6185

Gearmotors

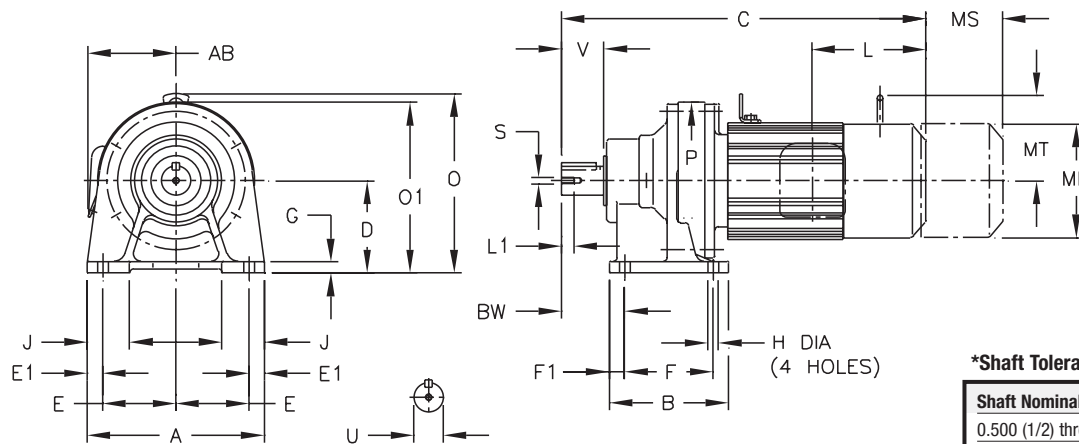
Dimensions



Dimensions Inverter Duty, Integral Foot Mount

Single Reduction

CNHM-6060/5Y ▶ 612HY-AV



*Shaft Tolerances

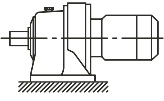
Shaft Nominal Diameter (inches)	Tolerances (inches)
0.500 (1/2) through 0.625 (5/8)	+0.0000/-0.0004
0.750 (3/4) through 1.125 (1 1/8)	+0.0000/-0.0005
1.250 (1 1/4) through 1.875 (1 7/8)	+0.0000/-0.0006

All dimensions are in inches

Model CNHM	A	B	D	E	E1	F	F1	G	H	J	P	BW
6060/5Y	5.67	3.31	3.150	2.36	0.47	2.36	0.47	0.39	0.35	1.38	4.33	1.61
6070/5Y	5.67	3.31	3.150	2.36	0.47	2.36	0.47	0.39	0.35	1.38	4.33	1.85
6080/5Y	5.67	3.90	3.543	2.36	0.47	2.95	0.47	0.51	0.35	1.46	5.28	2.05
6090/5Y	7.09	5.31	3.937	2.95	0.59	3.54	0.59	0.47	0.43	1.57	5.91	2.36
6100/5Y	7.09	5.31	3.937	2.95	0.59	3.54	0.59	0.47	0.43	1.57	5.91	2.36
610HY	7.09	5.31	4.724	2.95	0.59	3.54	0.59	0.47	0.43	1.77	5.91	2.36
6110/5Y	7.09	5.31	4.724	2.95	0.59	3.54	0.59	0.47	0.43	1.77	6.38	2.76
6120/5Y	9.06	6.10	4.724	3.74	0.79	4.53	0.79	0.59	0.55	2.17	8.03	3.23
612HY	9.06	6.10	5.512	3.74	0.79	4.53	0.79	0.59	0.55	2.36	8.03	3.23

Model CNHM	U*	V	Low Speed Shaft		Key
			S	L1	
6060/5Y	0.500	0.98	10-32UNF	0.63	1/8 X 1/8 X .79
6070/5Y	0.750	1.18	12-28UNF	0.63	3/16 X 3/16 X 1.06
6080/5Y	0.875	1.38	12-28UNF	0.63	3/16 X 3/16 X 1.18
6090/5Y	1.125	1.38	5/16-18UNC	0.79	1/4 X 1/4 X 1.18
6100/5Y	1.125	1.38	5/16-18UNC	0.79	1/4 X 1/4 X 1.18
610HY	1.125	1.38	5/16-18UNC	0.79	1/4 X 1/4 X 1.18
6110/5Y	1.250	1.77	5/16-18UNC	0.79	1/4 X 1/4 X 1.46
6120/5Y	1.500	2.17	5/16-18UNC	0.79	3/8 X 3/8 X 1.77
612HY	1.500	2.17	5/16-18UNC	0.79	3/8 X 3/8 X 1.77

Gearmotors
Dimensions



Dimensions Inverter Duty, Integral Foot Mount

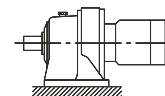
Single Reduction CNHM-6060/5Y ▶ 612HY-AV (cont.)

All dimensions are in inches

Model	Motor		Without Brake							Appx Wt (lb)	With Brake							Appx Wt (lb)
	HP	Pole	C	O	O1	AB	L	MP	C		O	O1	AB	L	MP	MS	MT	
CNHM01-6060/5Y-AV	1/8	4	10.55	-	5.59	5.04	2.32	4.88	15	11.81	-	5.59	5.04	3.58	4.88	2.40	-	18
CNHM02-6060/5Y-AV	1/4	4	11.34	-	5.59	5.04	2.32	4.88	18	12.83	-	5.59	5.04	3.58	4.88	2.40	-	20
CNHM01-6070/5Y-AV	1/8	4	10.79	-	5.59	5.04	2.32	4.88	15	12.05	-	5.59	5.04	3.58	4.88	2.40	-	18
CNHM02-6070/5Y-AV	1/4	4	11.57	-	5.59	5.04	2.32	4.88	18	12.83	-	5.59	5.04	3.58	4.88	2.40	-	20
CNHM03-6070/5Y-AV	1/3	4	11.57	-	5.59	5.04	2.32	4.88	18	12.83	-	5.59	5.04	3.58	4.88	2.40	-	20
CNHM01-6080/5Y-AV	1/8	4	11.81	-	6.18	5.04	2.32	4.88	22	13.07	-	6.18	5.04	3.58	4.88	2.40	-	24
CNHM02-6080/5Y-AV	1/4	4	12.60	-	6.18	5.04	2.32	4.88	26	13.86	-	6.18	5.04	3.58	4.88	2.40	-	29
CNHM03-6080/5Y-AV	1/3	4	12.60	-	6.18	5.04	2.32	4.88	26	13.86	-	6.18	5.04	3.58	4.88	2.40	-	29
CNHM05-6080/5Y-AV	1/2	4	14.21	7.99	-	5.43	3.82	5.83	35	15.91	7.99	-	5.43	5.51	5.83	3.66	4.17	37
CNHM02-6090/5Y-AV	1/4	4	13.31	-	6.89	5.04	2.32	4.88	29	14.57	-	6.89	5.04	3.58	4.88	2.40	-	33
CNHM03-6090/5Y-AV	1/3	4	13.31	-	6.89	5.04	2.32	4.88	29	14.57	-	6.89	5.04	3.58	4.88	2.40	-	33
CNHM05-6090/5Y-AV	1/2	4	14.92	8.39	-	5.43	3.82	5.83	37	16.61	8.39	-	5.43	5.51	5.83	3.66	4.17	44
CNHM08-6090/5Y-AV	3/4	4	16.22	8.66	-	5.63	3.94	6.30	44	18.66	8.66	-	5.63	6.38	6.30	4.53	4.49	55
CNHM1-6090/5Y-AV	1	4	16.22	8.66	-	5.63	3.94	6.30	44	18.66	8.66	-	5.63	6.38	6.30	4.53	4.49	55
CNHM02-6100/5Y-AV	1/4	4	13.86	8.15	-	5.04	2.32	4.88	40	15.12	8.15	-	5.04	3.58	4.88	2.40	-	44
CNHM03-6100/5Y-AV	1/3	4	13.86	8.15	-	5.04	2.32	4.88	40	15.12	8.15	-	5.04	3.58	4.88	2.40	-	44
CNHM05-6100/5Y-AV	1/2	4	15.47	8.39	-	5.43	3.82	5.83	49	17.17	8.39	-	5.43	5.51	5.83	3.66	4.17	55
CNHM08-6100/5Y-AV	3/4	4	16.77	8.66	-	5.63	3.94	6.30	57	19.21	8.66	-	5.63	6.38	6.30	4.53	4.49	68
CNHM1-6100/5Y-AV	1	4	16.77	8.66	-	5.63	3.94	6.30	57	19.21	8.66	-	5.63	6.38	6.30	4.53	4.49	68
CNHM1H-6100/5Y-AV	1.5	4	17.56	8.90	-	5.91	4.13	6.81	66	20.04	8.90	-	5.91	6.61	6.81	4.76	4.88	79
CNHM2-6100/5Y-AV	2	4	17.56	8.90	-	5.91	4.13	6.81	66	20.04	8.90	-	5.91	6.61	6.81	4.76	4.88	79
CNHM02-610HY-AV	1/4	4	13.86	8.94	-	5.04	2.32	4.88	42	15.12	8.94	-	5.04	3.58	4.88	2.40	-	46
CNHM03-610HY-AV	1/3	4	13.86	8.94	-	5.04	2.32	4.88	42	15.12	8.94	-	5.04	3.58	4.88	2.40	-	46
CNHM05-610HY-AV	1/2	4	15.47	9.17	-	5.43	3.82	5.83	51	17.17	9.17	-	5.43	5.51	5.83	3.66	4.17	57
CNHM08-610HY-AV	3/4	4	16.77	9.45	-	5.63	3.94	6.30	60	19.21	9.45	-	5.63	6.38	6.30	4.53	4.49	71
CNHM1-610HY-AV	1	4	16.77	9.45	-	5.63	3.94	6.30	60	19.21	9.45	-	5.63	6.38	6.30	4.53	4.49	71
CNHM1H-610HY-AV	1.5	4	17.56	9.69	-	5.91	4.13	6.81	68	20.04	9.69	-	5.91	6.61	6.81	4.76	4.88	82
CNHM2-610HY-AV	2	4	17.56	9.69	-	5.91	4.13	6.81	68	20.04	9.69	-	5.91	6.61	6.81	4.76	4.88	82
CNHM05-6110/5Y-AV	1/2	4	15.87	9.29	-	5.43	3.82	5.83	49	17.80	9.29	-	5.43	5.51	5.83	3.66	4.17	55
CNHM08-6110/5Y-AV	3/4	4	17.17	9.45	-	5.63	3.94	6.30	55	19.41	9.45	-	5.63	6.38	6.30	4.53	4.49	66
CNHM1-6110/5Y-AV	1	4	17.17	9.45	-	5.63	3.94	6.30	55	19.41	9.45	-	5.63	6.38	6.30	4.53	4.49	66
CNHM1H-6110/5Y-AV	1.5	4	17.95	9.69	-	5.91	4.13	6.81	64	20.43	9.69	-	5.91	6.61	6.81	4.76	4.88	77
CNHM2-6110/5Y-AV	2	4	17.95	9.69	-	5.91	4.13	6.81	64	20.43	9.69	-	5.91	6.61	6.81	4.76	4.88	77
CNHM3-6110/5Y-AV	3	4	19.33	10.47	-	6.54	5.00	8.35	86	22.17	10.47	-	6.54	7.83	8.35	5.20	6.18	108
CNHM08-6120/5Y-AV	3/4	4	17.95	9.45	-	5.63	3.94	6.30	77	20.39	9.45	-	5.63	6.38	6.30	4.53	4.49	88
CNHM1-6120/5Y-AV	1	4	17.95	9.45	-	5.63	3.94	6.30	77	20.39	9.45	-	5.63	6.38	6.30	4.53	4.49	88
CNHM1H-6120/5Y-AV	1.5	4	18.74	9.69	-	5.91	4.13	6.81	86	21.22	9.69	-	5.91	6.61	6.81	4.76	4.88	101
CNHM2-6120/5Y-AV	2	4	18.74	9.69	-	5.91	4.13	6.81	86	21.22	9.69	-	5.91	6.61	6.81	4.76	4.88	101
CNHM3-6120/5Y-AV	3	4	19.65	10.47	-	6.54	5.00	8.35	108	22.48	10.47	-	6.54	7.83	8.35	5.20	6.18	130
CNHM5-6120/5Y-AV	5	4	21.38	10.47	-	6.54	5.00	8.35	123	24.21	10.47	-	6.54	7.83	8.35	5.20	6.18	146
CNHM08-612HY-AV	3.4	4	17.95	10.24	-	5.63	3.94	6.30	79	20.39	10.24	-	5.63	6.38	6.30	4.53	4.49	90
CNHM1-612HY-AV	1	4	17.95	10.24	-	5.63	3.94	6.30	79	20.39	10.24	-	5.63	6.38	6.30	4.53	4.49	90
CNHM1H-612HY-AV	1.5	4	18.74	10.47	-	5.91	4.13	6.81	88	21.22	10.47	-	5.91	6.61	6.81	4.76	4.88	104
CNHM2-612HY-AV	2	4	18.74	10.47	-	5.91	4.13	6.81	88	21.22	10.47	-	5.91	6.61	6.81	4.76	4.88	104
CNHM3-612HY-AV	3	4	19.65	11.26	-	6.54	5.00	8.35	110	22.48	11.26	-	6.54	7.83	8.35	5.20	6.18	132
CNHM5-612HY-AV	5	4	21.38	11.26	-	6.54	5.00	8.35	126	24.21	11.26	-	6.54	7.83	8.35	5.20	6.18	148

Gearmotors

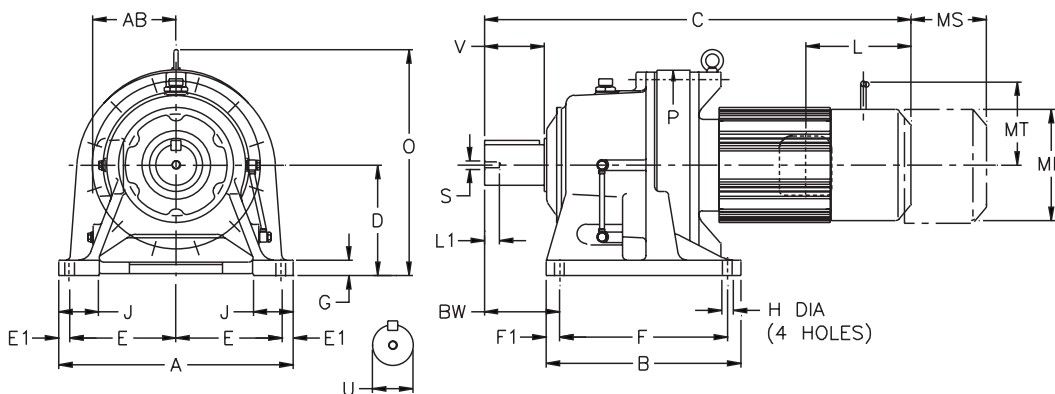
Dimensions



Dimensions Inverter Duty, Integral Foot Mount

Single Reduction

CHHM-6130/5Y ▶ 6190/5Y-AV



All dimensions are in inches

Model CHHM	A	B	D	E	E1	F	F1	G	H	J	P	BW
6130/5Y	12.99	7.68	5.906	5.71	0.79	5.71	0.98	0.87	0.71	2.56	9.06	3.94
6140/5Y	12.99	7.68	5.906	5.71	0.79	5.71	0.98	0.87	0.71	2.56	9.06	4.72
614HY	12.99	7.68	6.299	5.71	0.79	5.71	0.98	0.87	0.71	2.76	9.06	4.72
6160/5Y	16.14	9.37	6.299	7.28	0.79	5.91	1.73	0.98	0.71	2.95	11.81	5.47
616HY	16.14	9.37	7.874	7.28	0.79	5.91	1.73	0.98	0.71	3.15	11.81	5.47
6170/5Y	16.93	13.19	7.874	7.48	0.98	10.83	1.18	1.18	0.87	3.15	13.39	4.92
6180/5Y	18.50	14.96	8.661	8.27	0.98	12.60	1.18	1.18	0.87	3.35	14.57	5.71
6190/5Y	20.87	17.32	9.843	9.45	0.98	14.96	1.18	1.38	1.02	3.54	16.93	6.69

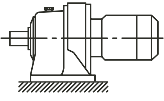
Model CHHM	Low Speed Shaft				
	U*	V	S	L1	Key
6130/5Y	1.875	2.76	3/8-16UNC	0.71	1/2 X 1/2 X 2.16
6140/5Y	1.875	3.54	3/8-16UNC	0.71	1/2 X 1/2 X 2.95
614HY	1.875	3.54	3/8-16UNC	0.71	1/2 X 1/2 X 2.95
6160/5Y	2.250	3.54	3/8-16UNC	0.71	1/2 X 1/2 X 2.95
616HY	2.250	3.54	3/8-16UNC	0.71	1/2 X 1/2 X 2.95
6170/5Y	2.750	3.54	1/2-13UNC	0.94	5/8 X 5/8 X 3.15
6180/5Y	3.125	4.33	1/2-13UNC	0.94	3/4 X 3/4 X 3.74
6190/5Y	3.625	5.31	3/4-10UNC	1.34	7/8 X 7/8 X 4.92

***Shaft Tolerances**

Shaft Nominal Diameter (inches)	Tolerances (inches)
1.250 (1 1/4) through 1.875 (1 7/8)	+0.0000/-0.0006
2.000 (2) through 3.125 (3 1/8)	+0.0000/-0.0007
3.250 (3 1/4) through 4.625 (4 5/8)	+0.0000/-0.0009
4.750 (4 3/4) through 7.000 (7)	+0.0000/-0.0010

Model	Motor		Without Brake						Appx Wt (lb)	With Brake						Appx Wt (lb)
	HP	Pole	C	O	O1	AB	L	MP		C	O	O1	AB	L	MP	
CHHM1-6130/5Y-AV	1	4	20.08	10.55	5.63	3.94	6.30	119	22.52	10.55	5.63	6.38	6.30	4.53	4.49	130
CHHM1H-6130/5Y-AV	1.5	4	20.87	10.79	5.91	4.13	6.81	126	23.35	10.79	5.91	6.61	6.81	4.76	4.88	141
CHHM2-6130/5Y-AV	2	4	20.87	10.79	5.91	4.13	6.81	126	23.35	10.79	5.91	6.61	6.81	4.76	4.88	141
CHHM3-6130/5Y-AV	3	4	21.77	11.65	6.54	5.00	8.35	148	24.61	11.65	6.54	7.83	8.35	5.20	6.18	170
CHHM5-6130/5Y-AV	5	4	23.50	11.65	6.54	5.00	8.35	163	26.34	11.65	6.54	7.83	8.35	5.20	6.18	185
CHHM8-6130/5Y-AV	7.5	4	24.41	12.72	8.31	5.63	9.88	196	28.15	12.72	8.31	9.37	9.88	6.69	7.17	236
CHHM10-6130/5Y-AV	10	4	26.77	12.72	8.31	5.63	9.88	227	30.51	12.72	8.31	9.37	9.88	6.69	7.17	265
CHHM15-6130/5Y-AV ^[1]	15	4	31.10	14.09	9.13	11.61	12.76	340	34.65	12.64	9.13	15.16	12.76	8.66	-	412

Note: [1] Motor frame extends below the unit base.



Dimensions Inverter Duty, Integral Foot Mount

Single Reduction

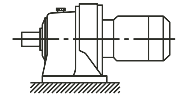
CHHM-6130/5Y ▶ 6190/5Y-AV (cont.)

All dimensions are in inches

Model	Motor		Without Brake					Appx Wt (lb)	With Brake						Appx Wt (lb)	
	HP	Pole	C	O	AB	L	MP		C	O	AB	L	MP	MS		MT
CHHM1H-6140/5Y-AV	1.5	4	21.65	10.79	5.91	4.13	6.81	128	24.13	10.79	5.91	6.61	6.81	4.76	4.88	143
CHHM2-6140/5Y-AV	2	4	21.65	10.79	5.91	4.13	6.81	128	24.13	10.79	5.91	6.61	6.81	4.76	4.88	143
CHHM3-6140/5Y-AV	3	4	22.56	11.65	6.54	5.00	8.35	150	25.39	11.65	6.54	7.83	8.35	5.20	6.18	172
CHHM5-6140/5Y-AV	5	4	24.29	11.65	6.54	5.00	8.35	165	27.13	11.65	6.54	7.83	8.35	5.20	6.18	187
CHHM8-6140/5Y-AV	7.5	4	25.20	12.72	8.31	5.63	9.88	198	28.94	12.72	8.31	9.37	9.88	6.69	7.17	238
CHHM10-6140/5Y-AV	10	4	27.56	12.72	8.31	5.63	9.88	227	31.30	12.72	8.31	9.37	9.88	6.69	7.17	267
CHHM15-6140/5Y-AV ^[1]	15	4	31.10	14.09	9.13	11.61	12.76	342	34.65	12.64	9.13	15.16	12.76	8.66	-	415
CHHM1H-614HY-AV	1.5	4	21.65	11.18	5.91	4.13	6.81	132	24.13	11.18	5.91	6.61	6.81	4.76	4.88	148
CHHM2-614HY-AV	2	4	21.65	11.18	5.91	4.13	6.81	132	24.13	11.18	5.91	6.61	6.81	4.76	4.88	148
CHHM3-614HY-AV	3	4	22.56	12.05	6.54	5.00	8.35	154	25.39	12.05	6.54	7.83	8.35	5.20	6.18	176
CHHM5-614HY-AV	5	4	24.29	12.05	6.54	5.00	8.35	170	27.13	12.05	6.54	7.83	8.35	5.20	6.18	192
CHHM8-614HY-AV	7.5	4	25.20	13.11	8.31	5.63	9.88	203	28.94	13.11	8.31	9.37	9.88	6.69	7.17	243
CHHM10-614HY-AV	10	4	27.56	13.11	8.31	5.63	9.88	234	31.30	13.11	8.31	9.37	9.88	6.69	7.17	273
CHHM15-614HY-AV ^[1]	15	4	31.10	14.49	9.13	11.61	12.76	348	34.65	13.03	9.13	15.16	12.76	8.66	-	421
CHHM2-6160/5Y-AV	2	4	23.54	12.20	5.91	4.13	6.81	212	26.02	12.20	5.91	6.61	6.81	4.76	4.88	225
CHHM3-6160/5Y-AV	3	4	24.45	12.20	6.54	5.00	8.35	232	27.28	12.20	6.54	7.83	8.35	5.20	6.18	254
CHHM5-6160/5Y-AV	5	4	26.18	12.20	6.54	5.00	8.35	247	29.02	12.20	6.54	7.83	8.35	5.20	6.18	269
CHHM8-6160/5Y-AV	7.5	4	27.28	13.11	8.31	5.63	9.88	282	31.02	13.11	8.31	9.37	9.88	6.69	7.17	320
CHHM10-6160/5Y-AV	10	4	29.65	13.11	8.31	5.63	9.88	313	33.39	13.11	8.31	9.37	9.88	6.69	7.17	351
CHHM15-6160/5Y-AV ^[1]	15	4	32.99	14.49	9.13	11.61	12.76	430	36.54	14.49	9.13	15.16	12.76	8.66	-	503
CHHM20-6160/5Y-AV ^[1]	20	4	36.73	14.49	11.69	13.39	15.51	589	45.00	14.49	11.69	21.65	15.51	14.45	-	701
CHHM2-616HY-AV	2	4	23.54	13.78	5.91	4.13	6.81	223	26.02	13.78	5.91	6.61	6.81	4.76	4.88	236
CHHM3-616HY-AV	3	4	24.45	13.78	6.54	5.00	8.35	243	27.28	13.78	6.54	7.83	8.35	5.20	6.18	265
CHHM5-616HY-AV	5	4	26.18	13.78	6.54	5.00	8.35	258	29.02	13.78	6.54	7.83	8.35	5.20	6.18	280
CHHM8-616HY-AV	7.5	4	27.28	14.69	8.31	5.63	9.88	293	31.02	14.69	8.31	9.37	9.88	6.69	7.17	331
CHHM10-616HY-AV	10	4	29.65	14.69	8.31	5.63	9.88	324	33.39	14.69	8.31	9.37	9.88	6.69	7.17	362
CHHM15-616HY-AV	15	4	32.99	16.06	9.13	11.61	12.76	441	36.54	16.06	9.13	15.16	12.76	8.66	-	514
CHHM20-616HY-AV	20	4	36.73	16.06	11.69	13.39	15.51	600	45.00	16.06	11.69	21.65	15.51	14.45	-	712
CHHM5-6170/5Y-AV	5	4	28.50	15.87	6.54	5.00	8.35	337	31.34	15.87	6.54	7.83	8.35	5.20	6.18	359
CHHM8-6170/5Y-AV	7.5	4	29.21	15.87	8.31	5.63	9.88	370	32.95	15.87	8.31	9.37	9.88	6.69	7.17	410
CHHM10-6170/5Y-AV	10	4	31.57	15.87	8.31	5.63	9.88	401	35.31	15.87	8.31	9.37	9.88	6.69	7.17	441
CHHM15-6170/5Y-AV	15	4	34.72	16.26	9.13	11.61	12.76	520	38.27	16.26	9.13	15.16	12.76	8.66	-	593
CHHM20-6170/5Y-AV	20	4	38.46	16.81	11.69	13.39	15.51	670	46.73	16.81	11.69	21.65	15.51	14.45	-	783
CHHM25-6170/5Y-AV	25	4	38.46	16.85	11.69	13.39	15.51	708	46.73	16.81	11.69	21.65	15.51	14.57	-	803
CHHM30-6170/5Y-AV	30	4	38.46	16.85	11.69	13.39	15.51	708	46.73	16.81	11.69	21.65	15.51	14.57	-	803
CHHM8-6180/5Y-AV	7.5	4	30.67	17.24	8.31	5.63	9.88	454	34.41	17.24	8.31	9.37	9.88	6.69	7.17	494
CHHM10-6180/5Y-AV	10	4	33.03	17.24	8.31	5.63	9.88	485	36.77	17.24	8.31	9.37	9.88	6.69	7.17	525
CHHM15-6180/5Y-AV	15	4	36.18	17.24	9.13	11.61	12.76	617	39.72	17.24	9.13	15.16	12.76	8.66	-	679
CHHM20-6180/5Y-AV	20	4	39.92	17.64	11.69	13.39	15.51	754	48.19	17.64	11.69	21.65	15.51	14.45	-	867
CHHM25-6180/5Y-AV	25	4	39.92	17.64	11.69	13.39	15.51	792	48.19	17.64	11.69	21.65	15.51	14.57	-	886
CHHM30-6180/5Y-AV	30	4	39.92	17.64	11.69	13.39	15.51	792	48.19	17.64	11.69	21.65	15.51	14.57	-	886
CHHM40-6180/5Y-AV	40	4	44.45	18.94	11.69	18.11	15.51	897	52.91	18.94	11.69	21.65	15.51	11.61	-	1111
CHHM15-6190/5Y-AV	15	4	39.17	18.39	9.13	11.61	12.76	761	42.72	18.39	9.13	15.16	12.76	8.66	-	836
CHHM20-6190/5Y-AV	20	4	42.91	20.12	11.69	13.39	15.51	919	51.18	20.12	11.69	21.65	15.51	14.45	-	1019
CHHM25-6190/5Y-AV	25	4	42.91	20.12	11.69	13.39	15.51	953	51.18	20.12	11.69	21.65	15.51	14.57	-	1047
CHHM30-6190/5Y-AV	30	4	42.91	20.12	11.69	13.39	15.51	953	51.18	20.12	11.69	21.65	15.51	14.57	-	1047
CHHM40-6190/5Y-AV	40	4	47.44	20.12	11.69	18.11	15.51	1036	55.91	20.12	11.69	21.65	15.51	11.61	-	1250
CHHM406-6190/5Y-AV ^[2]	40	6	48.62	20.12	11.69	18.11	15.51	1041	-	-	-	-	-	-	-	-
CHHM50-6190/5Y-AV	50	4	47.44	20.12	11.69	18.11	15.51	1036	55.91	20.12	11.69	28.03	15.51	11.61	-	1250
CHHM506-6190/5Y-AV ^[2]	50	6	49.80	20.12	11.69	18.11	19.06	1230	-	-	-	-	-	-	-	-

Note: [1] Motor frame extends below the unit base.

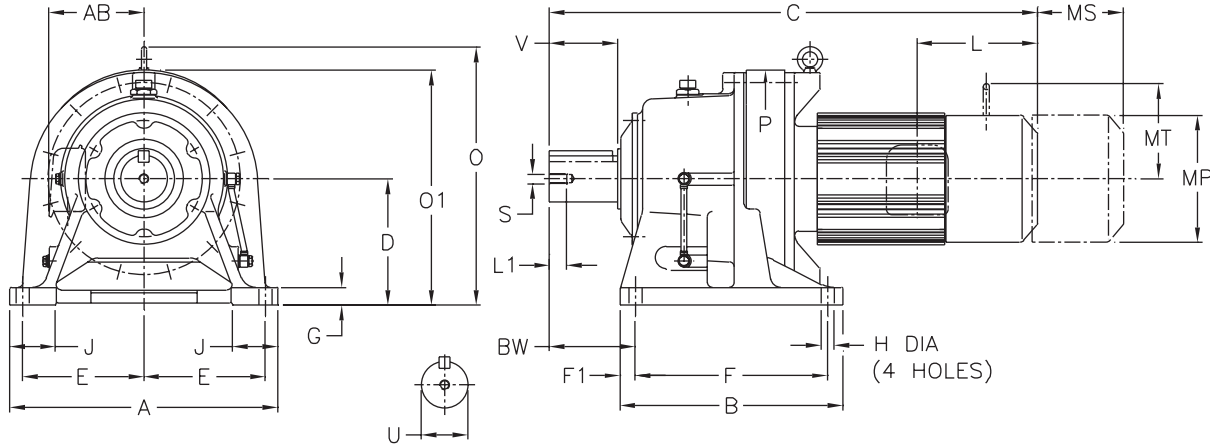
[2] Air over design.



Dimensions Inverter Duty, Integral Foot Mount

Single Reduction

CHHM-6205Y ▶ 6255Y-AV



All dimensions are in inches

Model CHHM	A	B	D	E	E1	F	F1	G	H	J	P	BW
6205Y	20.87	17.32	9.843	8.66	1.77	14.17	1.57	1.38	1.02	3.94	18.54	8.46
6215Y	22.83	18.70	10.433	9.45	1.97	15.55	1.57	1.57	1.02	4.33	19.09	8.27
6225Y	24.41	20.47	11.024	10.63	1.57	16.54	1.97	1.57	1.30	4.53	20.71	9.06
6235Y	26.38	22.05	11.811	11.42	1.77	18.11	1.97	1.77	1.30	4.72	22.13	10.24
6245Y	28.35	22.83	13.189	12.40	1.77	18.90	1.97	1.77	1.54	5.04	25.08	10.35
6255Y	30.71	24.80	14.764	13.19	2.17	20.47	2.17	1.97	1.54	5.51	27.68	12.60

Gearmotors

Dimensions

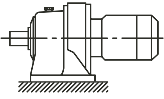
Model CHHM	Low Speed Shaft				
	U*	V	S	L1	Key
6205Y	3.875	6.50	3/4-10UNC	1.34	1 X 1 X 6.50
6215Y	4.250	6.50	3/4-10UNC	1.34	1 X 1 X 6.50
6225Y	4.625	6.50	3/4-10UNC	1.34	1-1/4 X 7/8 X 6.5
6235Y	5.000	7.87	1-8UNC	1.61	1-1/4 X 7/8 X 7.87
6245Y	5.500	7.87	1-8UNC	1.61	1-1/4 X 7/8 X 7.87
6255Y	6.250	9.45	1-1/4-7UNC	1.93	1-1/2 X 1 X 9.45

***Shaft Tolerances**

Shaft Nominal Diameter (inches)	Tolerances (inches)
1.250 (1 1/4) through 1.875 (1 7/8)	+0.0000/-0.0006
2.000 (2) through 3.125 (3 1/8)	+0.0000/-0.0007
3.250 (3 1/4) through 4.625 (4 5/8)	+0.0000/-0.0009
4.750 (4 3/4) through 7.000 (7)	+0.0000/-0.0010

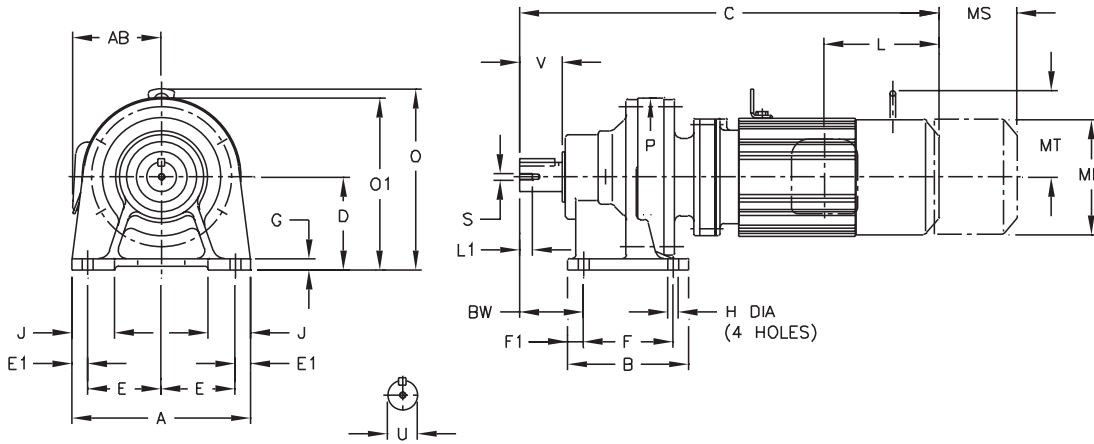
Model	Motor		Without Brake					Appx Wt (lb)	With Brake						Appx Wt (lb)	
	HP	Pole	C	O	AB	L	MP		C	O	AB	L	MP	MS		MT
CHHM20-6205Y-AV	20	4	44.37	20.87	11.69	13.39	15.51	966	50.87	20.87	11.69	21.65	15.51	14.45	-	1065
CHHM30-6205Y-AV	30	4	44.37	20.87	11.69	13.39	15.51	994	50.87	20.87	11.69	21.65	15.51	14.45	-	1087
CHHM40-6205Y-AV [1]	40	4	50.08	20.87	11.69	18.11	15.51	1082	60.00	20.87	11.69	26.57	15.51	17.52	-	1287
CHHM20-6215Y-AV	20	4	45.31	22.64	11.69	13.39	15.51	1135	51.81	22.64	11.69	21.65	15.51	14.45	-	1235
CHHM40-6215Y-AV [1]	40	4	51.02	22.64	11.69	18.11	15.51	1252	60.94	22.64	11.69	26.57	15.51	17.52	-	1459
CHHM406-6215Y-AV [1]	40	6	51.02	22.64	11.69	18.11	15.51	1252	60.94	22.64	11.69	26.57	15.51	17.52	-	1459
CHHM50-6215Y-AV [1]	50	4	51.02	22.64	11.69	18.11	15.51	1252	60.94	22.64	11.69	26.57	15.51	17.52	-	1459
CHHM30-6225Y-AV	30	4	46.89	24.02	11.69	13.39	15.51	1351	55.16	24.02	11.69	21.65	15.51	14.45	-	1451
CHHM50-6225Y-AV [1]	50	4	52.6	24.02	11.69	18.11	15.51	1440	62.52	24.02	11.69	26.57	15.51	17.52	-	1647
CHHM406-6235Y-AV [1]	40	6	55.04	26.26	11.69	18.11	15.51	1645	64.96	26.26	11.69	26.57	15.51	17.52	-	1836
CHHM506-6245Y-AV [1]	50	6	58.35	28.7	11.69	18.11	19.06	2121	-	-	-	-	-	-	-	-
CHHM506-6255Y-AV [1]	50	6	62.99	32.09	11.69	18.11	19.06	2824	-	-	-	-	-	-	-	-

Note: [1] Motor frame extends below the unit base.



Dimensions Inverter Duty, Integral Foot Mount

Double Reduction CNHM-6060/5DAY ▶ 6120/5DBY-AV



All dimensions are in inches

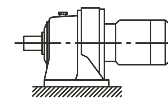
Model CNHM	A	B	D	E	E1	F	F1	G	H	J	P	BW
6060/5DAY	5.67	3.31	3.150	2.36	0.47	2.36	0.47	0.39	0.35	1.38	4.33	1.61
6070/5DAY	5.67	3.31	3.150	2.36	0.47	2.36	0.47	0.39	0.35	1.38	4.33	1.85
6090/5DAY	7.09	5.31	3.937	2.95	0.59	3.54	0.59	0.47	0.43	1.57	5.91	2.36
6100/5DAY	7.09	5.31	3.937	2.95	0.59	3.54	0.59	0.47	0.43	1.57	5.91	2.36
6120/5DBY	9.06	6.10	4.724	3.74	0.79	4.53	0.79	0.59	0.55	2.17	8.03	3.23

Model CNHM	Low Speed Shaft				
	U*	V	S	L1	Key
6060/5DAY	0.500	0.98	10-32UNF	0.63	1/8 X 1/8 X .79
6070/5DAY	0.750	1.18	12-28UNF	0.63	3/16 X 3/16 X 1.06
6090/5DAY	1.125	1.38	5/16-18UNC	0.79	1/4 X 1/4 X 1.18
6100/5DAY	1.125	1.38	5/16-18UNC	0.79	1/4 X 1/4 X 1.18
6120/5DBY	1.500	2.17	5/16-18UNC	0.79	3/8 X 3/8 X 1.77

***Shaft Tolerances**

Shaft Nominal Diameter (inches)	Tolerances (inches)
0.500 (1/2) through 0.625 (5/8)	+0.0000/-0.0004
0.750 (3/4) through 1.125 (1 1/8)	+0.0000/-0.0005
1.250 (1 1/4) through 1.875 (1 7/8)	+0.0000/-0.0006

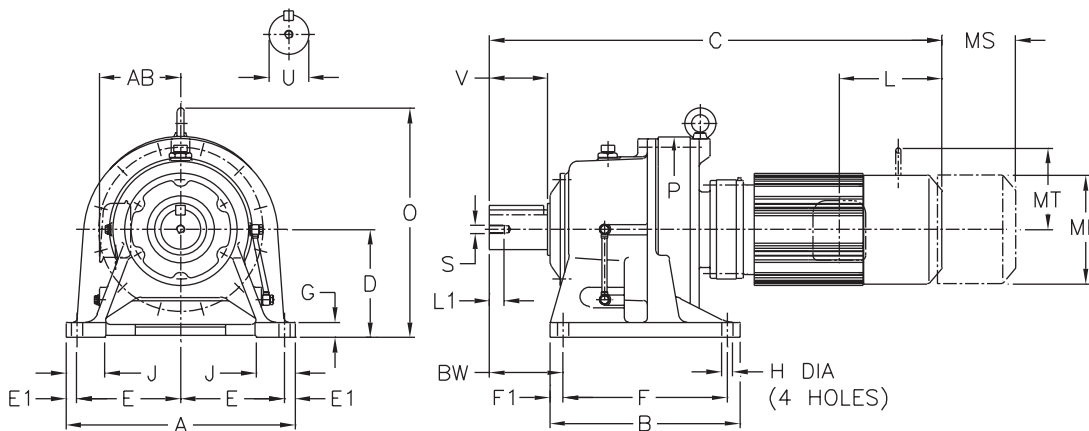
Model	Motor		Without Brake							Appx Wt (lb)	With Brake							Appx Wt (lb)
	HP	Pole	C	O	O1	AB	L	MP	C		O	O1	AB	L	MP	MS	MT	
CNHM01-6060/5DAY-AV	1/8	4	11.85	-	5.59	5.04	2.32	4.88	20	13.11	-	5.59	5.04	3.58	4.88	2.40	-	22
CNHM01-6070/5DAY-AV	1/8	4	12.09	-	5.59	5.04	2.32	4.88	20	13.35	-	5.59	5.04	3.58	4.88	2.40	-	22
CNHM02-6070/5DAY-AV	1/4	4	12.87	-	5.59	5.04	2.32	4.88	22	14.13	-	5.59	5.04	3.58	4.88	2.40	-	24
CNHM01-6090/5DAY-AV	1/8	4	14.41	8.15	-	5.04	2.32	4.88	37	15.67	8.15	-	5.04	3.58	4.88	2.40	-	40
CNHM02-6090/5DAY-AV	1/4	4	15.20	8.15	-	5.04	2.32	4.88	40	16.46	8.15	-	5.04	3.58	4.88	2.40	-	42
CNHM03-6090/5DAY-AV	1/3	4	15.20	8.15	-	5.04	2.32	4.88	40	16.46	8.15	-	5.04	3.58	4.88	2.40	-	42
CNHM05-6090/5DAY-AV	1/2	4	16.81	8.15	-	5.43	3.82	5.83	51	18.50	8.15	-	5.43	5.51	5.83	3.66	4.17	53
CNHM01-6100/5DAY-AV	1/8	4	14.96	8.15	-	5.04	2.32	4.88	42	16.22	8.15	-	5.04	3.58	4.88	2.40	-	44
CNHM02-6100/5DAY-AV	1/4	4	15.75	8.15	-	5.04	2.32	4.88	44	17.01	8.15	-	5.04	3.58	4.88	2.40	-	46
CNHM03-6100/5DAY-AV	1/3	4	15.75	8.15	-	5.04	2.32	4.88	44	17.01	8.15	-	5.04	3.58	4.88	2.40	-	46
CNHM05-6100/5DAY-AV	1/2	4	17.36	8.15	-	5.43	3.82	5.83	53	19.06	8.15	-	5.43	5.51	5.83	3.66	4.17	57
CNHM02-6120/5DBY-AV	1/4	4	17.64	10.12	-	5.04	2.32	4.88	75	18.90	10.12	-	5.04	3.58	4.88	2.40	-	79
CNHM03-6120/5DBY-AV	1/3	4	17.64	10.12	-	5.04	2.32	4.88	75	18.90	10.12	-	5.04	3.58	4.88	2.40	-	79
CNHM05-6120/5DBY-AV	1/2	4	19.25	10.12	-	5.43	3.82	5.83	84	20.94	10.12	-	5.43	5.51	5.83	3.66	4.17	90
CNHM08-6120/5DBY-AV	3/4	4	20.31	10.12	-	5.63	3.94	6.30	90	22.76	10.12	-	5.63	6.38	6.30	4.53	4.49	101
CNHM1-6120/5DBY-AV	1	4	20.31	10.12	-	5.63	3.94	6.30	90	22.76	10.12	-	5.63	6.38	6.30	4.53	4.49	101
CNHM1H-6120/5DBY-AV	1.5	4	21.34	10.12	-	5.91	4.13	8.35	99	23.82	10.12	-	5.91	6.61	8.35	4.76	4.88	112
CNHM2-6120/5DBY-AV	2	4	21.34	10.12	-	5.91	4.13	8.35	99	23.82	10.12	-	5.91	6.61	8.35	4.76	4.88	112



Dimensions Inverter Duty, Integral Foot Mount

Double Reduction

CHHM-6130/5DCY ▶ 6190/5DBY-AV



All dimensions are in inches

Model CHHM	A	B	D	E	E1	F	F1	G	H	J	P	BW
6130/5DCY	12.99	7.68	5.906	5.71	0.79	5.71	0.98	0.87	0.71	2.56	9.06	3.94
6140/5DBY	12.99	7.68	5.906	5.71	0.79	5.71	0.98	0.87	0.71	2.56	9.06	4.72
6160/5DCY	16.14	9.37	6.299	7.28	0.79	5.91	1.73	0.98	0.71	2.95	11.81	5.47
6170/5DCY	16.93	13.19	7.874	7.48	0.98	10.83	1.18	1.18	0.87	3.15	13.39	4.92
6180/5DBY	18.50	14.96	8.661	8.27	0.98	12.60	1.18	1.18	0.87	3.35	14.57	5.71
6190/5DAY	20.87	17.32	9.843	9.45	0.98	14.96	1.18	1.38	1.02	3.54	16.93	6.69
6190/5DBY	20.87	17.32	9.843	9.45	0.98	14.96	1.18	1.38	1.02	3.54	16.93	6.69

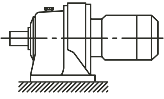
Gearmotors

Dimensions

Model CHHM	U*	V	Low Speed Shaft		Key
			S	L1	
6130/5DCY	1.875	2.76	3/8-16UNC	0.71	1/2 X 1/2 X 2.16
6140/5DBY	1.875	3.54	3/8-16UNC	0.71	1/2 X 1/2 X 2.95
6160/5DCY	2.250	3.54	3/8-16UNC	0.71	1/2 X 1/2 X 2.95
6170/5DCY	2.750	3.54	1/2-13UNC	0.94	5/8 X 5/8 X 3.15
6180/5DBY	3.125	4.33	1/2-13UNC	0.94	3/4 X 3/4 X 3.74
6190/5DAY	3.625	5.31	3/4-10UNC	1.34	7/8 X 7/8 X 4.92
6190/5DBY	3.625	5.31	3/4-10UNC	1.34	7/8 X 7/8 X 4.92

*Shaft Tolerances

Shaft Nominal Diameter (inches)	Tolerances (inches)
1.250 (1 1/4) through 1.875 (1 7/8)	+0.0000/-0.0006
2.000 (2) through 3.125 (3 1/8)	+0.0000/-0.0007
3.250 (3 1/4) through 4.625 (4 5/8)	+0.0000/-0.0009



Dimensions Inverter Duty, Integral Foot Mount

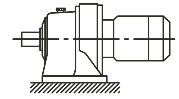
Double Reduction CHHM-6130/5DCY ▶ 6190/5DBY-AV (cont.)

All dimensions are in inches

Model	Motor		Without Brake					Appx Wt (lb)	With Brake						Appx Wt (lb)	
	HP	Pole	C	O	AB	L	MP		C	O	AB	L	MP	MS		MT
CHHM02-6130/5DCY-AV	1/4	4	20.20	11.81	5.04	2.32	4.88	112	21.46	11.81	5.04	3.58	4.88	2.40	-	117
CHHM03-6130/5DCY-AV	1/3	4	20.20	11.81	5.04	2.32	4.88	112	21.46	11.81	5.04	3.58	4.88	2.40	-	117
CHHM05-6130/5DCY-AV	1/2	4	21.81	10.35	5.43	3.82	5.83	121	23.50	10.35	5.43	5.51	5.83	3.66	4.17	128
CHHM08-6130/5DCY-AV	3/4	4	21.81	10.35	5.63	3.82	5.83	121	23.50	10.35	5.63	5.51	5.83	3.66	4.17	128
CHHM1-6130/5DCY-AV	1	4	23.11	10.63	5.63	3.94	6.30	130	25.55	10.63	5.63	6.38	6.30	4.53	4.49	141
CHHM1H-6130/5DCY-AV	1.5	4	23.90	10.87	5.91	4.13	6.81	139	26.38	10.87	5.91	6.61	6.81	4.76	4.88	152
CHHM2-6130/5DCY-AV	2	4	23.90	10.87	5.91	4.13	6.81	139	26.38	10.87	5.91	6.61	6.81	4.76	4.88	152
CHHM02-6140/5DBY-AV	1/4	4	20.43	11.81	5.04	2.32	4.88	108	21.69	11.81	5.04	3.58	4.88	2.40	-	112
CHHM03-6140/5DBY-AV	1/3	4	20.43	11.81	5.04	2.32	4.88	108	21.69	11.81	5.04	3.58	4.88	2.40	-	112
CHHM05-6140/5DBY-AV	1/2	4	22.05	10.35	5.43	3.82	5.83	117	23.74	10.35	5.43	5.51	5.83	3.66	4.17	123
CHHM08-6140/5DBY-AV	3/4	4	23.35	10.63	5.63	3.94	6.30	123	25.79	10.63	5.63	6.38	6.30	4.53	4.49	135
CHHM1-6140/5DBY-AV	1	4	23.35	10.63	5.63	3.94	6.30	123	25.79	10.63	5.63	6.38	6.30	4.53	4.49	135
CHHM05-6160/5DCY-AV	1/2	4	24.65	13.74	5.43	3.82	5.83	225	26.34	13.74	5.43	5.51	5.83	3.66	4.17	232
CHHM08-6160/5DCY-AV	3/4	4	25.94	13.74	5.63	3.94	6.30	234	28.39	13.74	5.63	6.38	6.30	4.53	4.49	245
CHHM1-6160/5DCY-AV	1	4	25.94	13.74	5.63	3.94	6.30	234	28.39	13.74	5.63	6.38	6.30	4.53	4.49	245
CHHM1H-6160/5DCY-AV	1.5	4	26.73	13.74	5.91	4.13	6.81	243	29.21	13.74	5.91	6.61	6.81	4.76	4.88	258
CHHM2-6160/5DCY-AV	2	4	26.73	13.74	6.54	5.00	6.81	243	29.21	13.74	6.54	7.83	6.81	5.20	6.18	258
CHHM3-6160/5DCY-AV	3	4	27.64	13.74	6.54	5.00	8.35	265	30.47	13.74	6.54	7.83	8.35	5.20	6.18	287
CHHM5-6160/5DCY-AV	5	4	29.37	13.74	8.31	5.63	8.35	280	32.20	13.74	8.31	9.37	8.35	6.69	7.17	302
CHHM05-6170/5DCY-AV	1/2	4	26.50	16.38	5.43	3.82	5.83	300	28.19	16.38	5.43	5.51	5.83	3.66	4.17	306
CHHM08-6170/5DCY-AV	3/4	4	27.80	16.38	5.63	3.94	6.30	309	30.24	16.38	5.63	6.38	6.30	4.53	4.49	320
CHHM1-6170/5DCY-AV	1	4	27.80	16.38	5.63	3.94	6.30	309	30.24	16.38	5.63	6.38	6.30	4.53	4.49	320
CHHM1H-6170/5DCY-AV	1.5	4	28.58	16.38	5.91	4.13	6.81	318	31.06	16.38	5.91	6.61	6.81	4.76	4.88	333
CHHM2-6170/5DCY-AV	2	4	28.58	16.38	5.91	4.13	6.81	318	31.06	16.38	5.91	6.61	6.81	4.76	4.88	333
CHHM3-6170/5DCY-AV	3	4	29.49	16.38	6.54	5.00	8.35	340	32.32	16.38	6.54	7.83	8.35	5.20	6.18	362
CHHM5-6170/5DCY-AV	5	4	31.22	16.38	8.31	5.63	8.35	355	34.06	16.38	8.31	9.37	8.35	6.69	7.17	377
CHHM1-6180/5DBY-AV	1	4	30.16	17.76	5.63	3.94	6.30	426	32.60	17.76	5.63	6.38	6.30	4.53	4.49	437
CHHM1H-6180/5DBY-AV	1.5	4	30.94	17.76	5.91	5.00	6.81	432	33.43	17.76	5.91	7.83	6.81	5.20	6.18	448
CHHM2-6180/5DBY-AV	2	4	30.94	17.76	5.91	5.00	6.81	432	33.43	17.76	5.91	7.83	6.81	5.20	6.18	448
CHHM3-6180/5DBY-AV	3	4	31.85	17.76	6.54	5.00	8.35	454	34.69	17.76	6.54	7.83	8.35	5.20	6.18	476
CHHM5-6180/5DBY-AV	5	4	33.58	17.76	6.54	5.00	8.35	470	36.42	17.76	6.54	7.83	8.35	5.20	6.18	492
CHHM8-6180/5DBY-AV	7.5	4	34.49	17.76	8.31	5.63	9.88	503	38.23	17.76	8.31	9.37	9.88	6.69	7.17	542
CHHM10-6180/5DBY-AV	10	4	36.85	17.76	8.31	5.63	9.88	534	40.59	17.76	8.31	9.37	9.88	6.69	7.17	573
CHHM15-6180/5DBY-AV	15	4	40.39	17.76	9.13	11.61	12.76	651	44.53	17.76	9.13	15.16	12.76	8.66	-	739
CHHM1-6190/5DAY-AV	1	4	32.52	20.91	5.63	3.94	6.30	558	34.96	20.91	5.63	6.38	6.30	4.53	4.49	569
CHHM1H-6190/5DAY-AV	1.5	4	33.31	20.91	5.91	4.13	6.81	567	35.79	20.91	5.91	6.61	6.81	4.76	4.88	582
CHHM2-6190/5DAY-AV	2	4	33.31	20.91	5.91	4.13	6.81	567	35.79	20.91	5.91	6.61	6.81	4.76	4.88	582
CHHM3-6190/5DAY-AV	3	4	34.21	20.91	6.54	5.00	8.35	589	37.05	20.91	6.54	7.83	8.35	5.20	6.18	611
CHHM5-6190/5DAY-AV	5	4	35.94	20.91	6.54	5.00	8.35	604	38.78	20.91	6.54	7.83	8.35	5.20	6.18	626
CHHM5-6190/5DBY-AV	5	4	36.57	20.91	6.54	5.00	8.35	620	39.41	20.91	6.54	7.83	8.35	5.20	6.18	642
CHHM8-6190/5DBY-AV	7.5	4	37.48	20.91	8.31	5.63	9.88	653	41.22	20.91	8.31	9.37	9.88	6.69	7.17	692
CHHM10-6190/5DBY-AV	10	4	39.84	20.91	8.31	5.63	9.88	684	43.58	20.91	8.31	9.37	9.88	6.69	7.17	723
CHHM15-6190/5DBY-AV	15	4	43.39	20.91	9.13	11.61	12.76	798	46.93	20.91	9.13	15.16	12.76	8.66	-	871

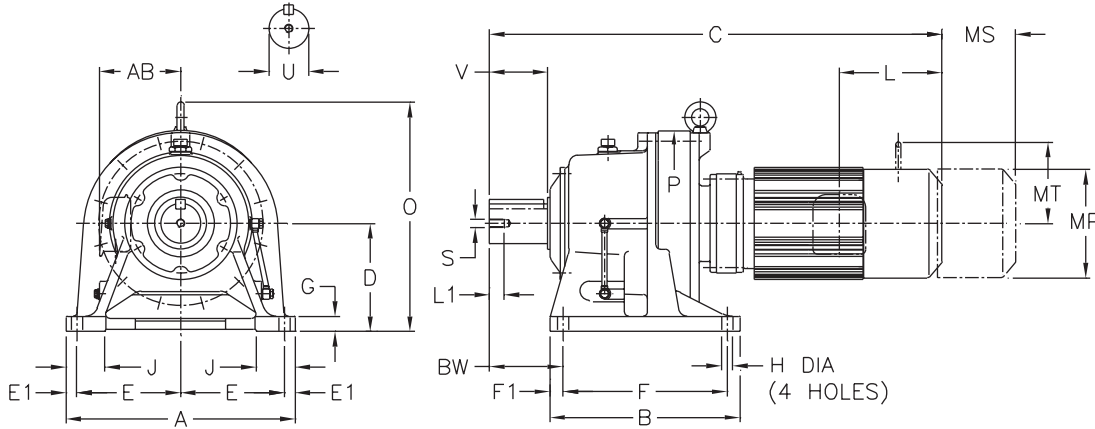
Gearmotors

Dimensions



Dimensions Inverter Duty, Integral Foot Mount

Double Reduction CHHM-6205DAY ▶ 6225DBY-AV



All dimensions are in inches

Model CHHM	A	B	D	E	E1	F	F1	G	H	J	P	BW
6205DAY	20.87	17.32	9.843	8.66	1.77	14.17	1.57	1.38	1.02	3.94	17.64	8.46
6205DBY	20.87	17.32	9.843	8.66	1.77	14.17	1.57	1.38	1.02	3.94	17.64	8.46
6215DAY	22.83	18.70	10.433	9.45	1.97	15.55	1.57	1.57	1.02	4.33	19.09	8.27
6215DBY	22.83	18.70	10.433	9.45	1.97	15.55	1.57	1.57	1.02	4.33	19.09	8.27
6225DAY	24.41	20.47	11.024	10.63	1.57	16.54	1.97	1.57	1.30	4.53	20.71	9.06
6225DBY	24.41	20.47	11.024	10.63	1.57	16.54	1.97	1.57	1.30	4.53	20.71	9.06

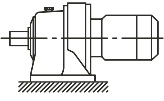
Gearmotors

Dimensions

Model CHHM	U*	V	Low Speed Shaft		Key
			S	L1	
6205DAY	3.875	6.50	3/4-10UNC	1.34	1 X 1 X 6.50
6205DBY	3.875	6.50	3/4-10UNC	1.34	1 X 1 X 6.50
6215DAY	4.250	6.50	3/4-10UNC	1.34	1 X 1 X 6.50
6215DBY	4.250	6.50	3/4-10UNC	1.34	1 X 1 X 6.50
6225DAY	4.625	6.50	3/4-10UNC	1.34	1-1/4 X 7/8 X 6.5
6225DBY	4.625	6.50	3/4-10UNC	1.34	1-1/4 X 7/8 X 6.5

***Shaft Tolerances**

Shaft Nominal Diameter (inches)	Tolerances (inches)
2.000 (2) through 3.125 (3 1/8)	+0.0000/-0.0007
3.250 (3 1/4) through 4.625 (4 5/8)	+0.0000/-0.0009
4.750 (4 3/4) through 7.000 (7)	+0.0000/-0.0010



Dimensions Inverter Duty, Integral Foot Mount

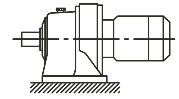
Double Reduction CHHM-6205DAY ▶ 6225DBY-AV (cont.)

All dimensions are in inches

Model	Motor		Without Brake					Appx Wt (lb)	With Brake						Appx Wt (lb)	
	HP	Pole	C	O	AB	L	MP		C	O	AB	L	MP	MS		MT
CHHM1-6205DAY-AV	1	4	34.13	20.87	5.63	3.94	6.30	600	36.57	20.87	5.63	6.38	6.30	4.53	4.49	611
CHHM2-6205DAY-AV	2	4	34.92	20.87	5.91	4.13	6.81	609	37.36	20.87	5.91	6.61	6.81	4.76	4.88	624
CHHM3-6205DAY-AV	3	4	35.83	20.87	6.54	5.00	8.35	631	38.66	20.87	6.54	7.83	8.35	5.20	6.18	653
CHHM5-6205DAY-AV	5	4	37.56	20.87	6.54	5.00	8.35	646	40.39	20.87	6.54	7.83	8.35	5.20	6.18	668
CHHM3-6205DBY-AV	3	4	36.89	20.87	6.54	5.00	8.35	657	39.72	20.87	6.54	7.83	8.35	5.20	6.18	679
CHHM5-6205DBY-AV	5	4	38.62	20.87	6.54	5.00	8.35	673	41.46	20.87	6.54	7.83	8.35	5.20	6.18	695
CHHM8-6205DBY-AV	7.5	4	39.53	20.87	8.31	5.63	9.88	706	43.27	20.87	8.31	9.37	9.88	6.69	7.17	745
CHHM10-6205DBY-AV	10	4	41.89	20.87	8.31	5.63	9.88	734	45.63	20.87	8.31	9.37	9.88	6.69	7.17	774
CHHM15-6205DBY-AV	15	4	45.43	20.87	9.13	11.61	12.76	849	48.58	20.87	9.13	15.16	12.76	8.66	-	919
CHHM2-6215DAY-AV	2	4	37.01	22.64	5.91	4.13	6.81	814	39.49	22.64	5.91	6.61	6.81	4.76	4.88	829
CHHM3-6215DAY-AV	3	4	37.91	22.64	6.54	5.00	8.35	836	40.75	22.64	6.54	7.83	8.35	5.20	6.18	858
CHHM5-6215DAY-AV	5	4	39.65	22.64	6.54	5.00	8.35	851	42.48	22.64	6.54	7.83	8.35	5.20	6.18	873
CHHM8-6215DAY-AV	7.5	4	40.55	22.64	8.31	5.63	9.88	884	44.29	22.64	8.31	9.37	9.88	6.69	7.17	924
CHHM10-6215DAY-AV	10	4	42.91	22.64	8.31	5.63	9.88	913	46.65	22.64	8.31	9.37	9.88	6.69	7.17	953
CHHM15-6215DAY-AV	15	4	46.46	22.64	9.13	11.61	12.76	1028	50.00	22.64	9.13	15.16	12.76	8.66	-	1100
CHHM10-6215DBY-AV	10	4	44.09	22.64	8.31	5.63	9.88	959	47.83	22.64	8.31	9.37	9.88	6.69	7.17	997
CHHM15-6215DBY-AV	15	4	47.44	22.64	9.13	11.61	12.76	1076	50.98	22.64	9.13	15.16	12.76	8.66	-	1149
CHHM20-6215DBY-AV	20	4	51.18	22.64	11.69	13.39	15.51	1233	59.45	22.64	11.69	21.65	15.51	14.45	-	1345
CHHM2-6225DAY-AV	2	4	38.66	24.02	5.91	4.13	6.81	977	41.14	24.02	5.91	6.61	6.81	4.76	4.88	992
CHHM3-6225DAY-AV	3	4	39.57	24.02	6.54	5.00	8.35	999	42.40	24.02	6.54	7.83	8.35	5.20	6.18	1021
CHHM5-6225DAY-AV	5	4	41.30	24.02	6.54	5.00	8.35	1014	44.13	24.02	6.54	7.83	8.35	5.20	6.18	1036
CHHM8-6225DAY-AV	7.5	4	42.20	24.02	8.31	5.63	9.88	1047	45.94	24.02	8.31	9.37	9.88	6.69	7.17	1087
CHHM10-6225DAY-AV	10	4	44.57	24.02	8.31	5.63	9.88	1078	48.31	24.02	8.31	9.37	9.88	6.69	7.17	1118
CHHM15-6225DAY-AV	15	4	48.11	24.02	9.13	11.61	12.76	1193	51.65	24.02	9.13	15.16	12.76	8.66	-	1266
CHHM20-6225DBY-AV	20	4	53.54	24.02	11.69	13.39	15.51	1446	61.81	24.02	11.69	21.65	15.51	14.45	-	1559
CHHM25-6225DBY-AV	25	4	53.54	24.02	11.69	13.39	15.51	1446	61.81	24.02	11.69	21.65	15.51	14.45	-	1559
CHHM30-6225DBY-AV	30	4	53.54	24.02	11.69	13.39	15.51	1484	61.81	24.02	11.69	21.65	15.51	14.57	-	1596

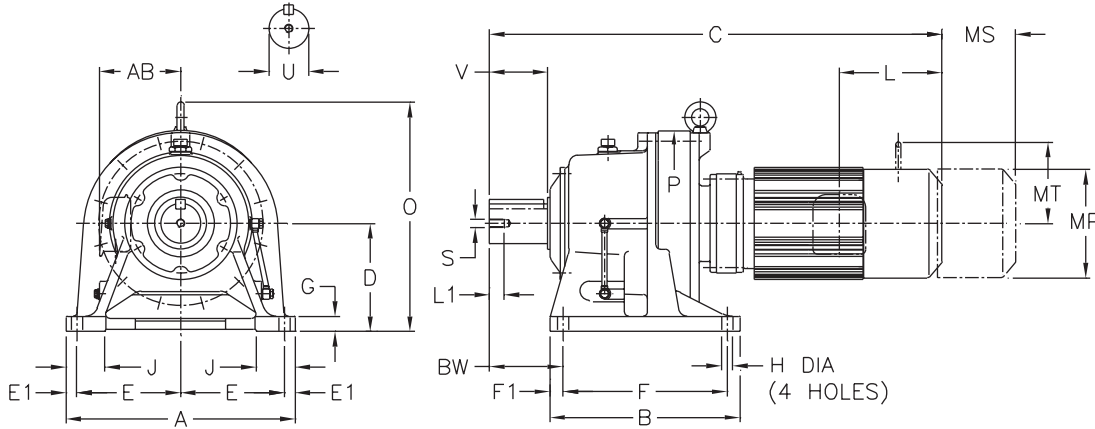
Gearmotors

Dimensions



Dimensions Inverter Duty, Integral Foot Mount

Double Reduction CHHM-6235DAY ▶ 6275DAY-AV



All dimensions are in inches

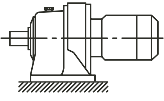
Model CHHM	A	B	D	E	E1	F	F1	G	H	J	P	BW
6235DAY	26.38	22.05	11.811	11.42	1.77	18.11	1.97	1.77	1.30	4.72	22.13	10.24
6235DBY	26.38	22.05	11.811	11.42	1.77	18.11	1.97	1.77	1.30	4.72	22.13	10.24
6245DAY	28.35	22.83	13.189	12.40	1.77	18.90	1.97	1.77	1.54	5.04	24.17	10.35
6245DBY	28.35	22.83	13.189	12.40	1.77	18.90	1.97	1.77	1.54	5.04	24.17	10.35
6255DAY	30.71	24.80	14.764	13.19	2.17	20.47	2.17	1.97	1.54	5.51	26.38	12.60
6255DBY	30.71	24.80	14.764	13.19	2.17	20.47	2.17	1.97	1.54	5.51	26.38	12.60
6265DAY	34.65	27.56	15.748	15.16	2.17	23.23	2.17	2.17	1.77	6.30	28.98	15.35
6275DAY	45.67	40.94	21.260	20.67	2.17	16.54	3.94	2.36	1.77	7.87	37.40	19.09

Gearmotors
Dimensions

Model CHHM	Low Speed Shaft				Key
	U*	V	S	L1	
6235DAY	5.000	7.87	1-8UNC	1.61	1-1/4 X 7/8 X 7.87
6235DBY	5.000	7.87	1-8UNC	1.61	1-1/4 X 7/8 X 7.87
6245DAY	5.500	7.87	1-8UNC	1.61	1-1/4 X 7/8 X 7.87
6245DBY	5.500	7.87	1-8UNC	1.61	1-1/4 X 7/8 X 7.87
6255DAY	6.250	9.45	1-1/4-7UNC	1.93	1-1/2 X 1 X 9.45
6255DBY	6.250	9.45	1-1/4-7UNC	1.93	1-1/2 X 1 X 9.45
6265DAY	6.625	11.81	1-1/4-7UNC	1.93	1-3/4 X 1-1/4 X 11.8
6275DAY	7.000	13.00	1-1/4-7UNC	2.05	1-3/4 X 1-1/4 X 13

***Shaft Tolerances**

Shaft Nominal Diameter (inches)	Tolerances (inches)
2.000 (2) through 3.125 (3 1/8)	+0.0000/-0.0007
3.250 (3 1/4) through 4.625 (4 5/8)	+0.0000/-0.0009
4.750 (4 3/4) through 7.000 (7)	+0.0000/-0.0010



Dimensions Inverter Duty, Integral Foot Mount

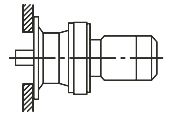
Double Reduction CHHM-6235DAY ▶ 6275DAY-AV (cont.)

All dimensions are in inches

Model	Motor		Without Brake					Appx Wt (lb)	With Brake						Appx Wt (lb)	
	HP	Pole	C	O	AB	L	MP		C	O	AB	L	MP	MS		MT
CHHM3-6235DAY-AV	3	4	42.95	26.26	6.54	5.00	8.35	1255	45.79	26.26	6.54	7.83	8.35	5.20	6.18	1277
CHHM5-6235DAY-AV	5	4	44.69	26.26	6.54	5.00	8.35	1270	47.52	26.26	6.54	7.83	8.35	5.20	6.18	1292
CHHM8-6235DAY-AV	7.5	4	45.79	26.26	8.31	5.63	9.88	1305	49.53	26.26	8.31	9.37	9.88	6.69	7.17	1343
CHHM10-6235DAY-AV	10	4	48.15	26.26	8.31	5.63	9.88	1336	51.89	26.26	8.31	9.37	9.88	6.69	7.17	1374
CHHM15-6235DAY-AV	15	4	51.50	26.26	9.13	11.61	12.76	1453	55.04	26.26	9.13	15.16	12.76	8.66	-	1526
CHHM20-6235DAY-AV	20	4	55.24	26.26	11.69	13.39	15.51	1614	63.50	26.26	11.69	21.65	15.51	14.45	-	1727
CHHM25-6235DAY-AV	25	4	55.24	26.26	11.69	13.39	15.51	1614	63.50	26.26	11.69	21.65	15.51	14.45	-	1727
CHHM40-6235DBY-AV	40	4	60.63	26.26	11.69	18.11	15.51	1797	69.09	26.26	11.69	25.39	15.51	17.52	-	2011
CHHM3-6245DAY-AV	3	4	44.45	28.70	6.54	5.00	8.35	1495	47.28	28.70	6.54	7.83	8.35	5.20	6.18	1517
CHHM5-6245DAY-AV	5	4	46.18	28.70	6.54	5.00	8.35	1510	49.02	28.70	6.54	7.83	8.35	5.20	6.18	1532
CHHM8-6245DAY-AV	7.5	4	47.28	28.70	8.31	5.63	9.88	1546	51.02	28.70	8.31	9.37	9.88	6.69	7.17	1583
CHHM10-6245DAY-AV	10	4	49.65	28.70	8.31	5.63	9.88	1577	53.39	28.70	8.31	9.37	9.88	6.69	7.17	1614
CHHM15-6245DAY-AV	15	4	52.99	28.70	9.13	11.61	12.76	1693	56.54	28.70	9.13	15.16	12.76	8.66	-	1766
CHHM20-6245DAY-AV	20	4	56.73	28.70	11.69	13.39	15.51	1841	65.00	28.70	11.69	21.65	15.51	14.45	-	1954
CHHM25-6245DAY-AV	25	4	56.73	28.70	11.69	13.39	15.51	1841	65.00	28.70	11.69	21.65	15.51	14.45	-	1954
CHHM20-6245DBY-AV	20	4	57.56	28.70	11.69	13.39	15.51	1899	65.83	28.70	11.69	21.65	15.51	14.45	-	2011
CHHM30-6245DBY-AV	30	4	57.56	28.70	11.69	13.39	15.51	1936	65.83	28.70	11.69	21.65	15.51	14.57	-	2031
CHHM40-6245DBY-AV	40	4	62.09	28.70	11.69	18.11	15.51	2051	70.55	28.70	11.69	28.03	15.51	17.52	-	2265
CHHM5-6255DAY-AV	5	4	52.28	32.09	6.54	5.00	8.35	2293	55.12	32.09	6.54	9.37	8.35	5.20	6.18	2315
CHHM8-6255DAY-AV	7.5	4	52.99	32.09	8.31	5.63	9.88	2326	56.73	32.09	8.31	9.37	9.88	6.69	7.17	2359
CHHM10-6255DAY-AV	10	4	55.35	32.09	8.31	5.63	9.88	2359	59.09	32.09	8.31	9.37	9.88	6.69	7.17	2392
CHHM15-6255DAY-AV	15	4	58.50	32.09	9.13	11.61	12.76	2470	62.05	32.09	9.13	15.16	12.76	8.66	-	2547
CHHM20-6255DAY-AV	20	4	62.24	32.09	11.69	13.39	15.51	2624	70.51	32.09	11.69	21.65	15.51	14.45	-	2736
CHHM25-6255DAY-AV	25	4	62.24	32.09	11.69	13.39	15.51	2624	70.51	32.09	11.69	21.65	15.51	14.45	-	2736
CHHM30-6255DAY-AV	30	4	62.24	32.09	11.69	13.39	15.51	2668	70.51	32.09	11.69	21.65	15.51	14.57	-	2763
CHHM25-6255DBY-AV	25	4	63.11	32.09	11.69	13.39	15.51	2789	71.38	32.09	11.69	21.65	15.51	14.45	-	2902
CHHM30-6255DBY-AV	30	4	63.11	32.09	11.69	13.39	15.51	2822	71.38	32.09	11.69	21.65	15.51	14.57	-	2917
CHHM40-6255DBY-AV	40	4	67.64	32.09	11.69	18.11	15.51	2906	75.91	32.09	11.69	28.03	15.51	17.52	-	3120
CHHM50-6255DBY-AV	50	4	67.64	32.09	11.69	18.11	15.51	2906	75.91	32.09	11.69	28.03	15.51	-	-	3120
CHHM8-6265DAY-AV	7.5	4	58.78	34.41	8.31	5.63	9.88	3043	62.52	34.41	8.31	9.37	9.88	6.69	7.17	3087
CHHM10-6265DAY-AV	10	4	61.14	34.41	8.31	5.63	9.88	3076	64.88	34.41	8.31	9.37	9.88	6.69	7.17	3109
CHHM15-6265DAY-AV	15	4	63.70	34.41	9.13	11.61	12.76	3186	67.24	34.41	9.13	15.16	12.76	8.66	-	3263
CHHM20-6265DAY-AV	20	4	67.44	34.41	11.69	13.39	15.51	3352	75.71	34.41	11.69	21.65	15.51	14.45	-	3451
CHHM25-6265DAY-AV	25	4	67.44	34.41	11.69	13.39	15.51	3352	75.71	34.41	11.69	21.65	15.51	14.45	-	3451
CHHM30-6265DAY-AV	30	4	67.44	34.41	11.69	13.39	15.51	3385	75.71	34.41	11.69	21.65	15.51	14.57	-	3479
CHHM40-6265DAY-AV	40	4	71.97	34.41	11.69	18.11	15.51	3462	80.43	34.41	11.69	28.03	15.51	17.52	-	3676
CHHM50-6265DAY-AV	50	4	71.97	34.41	11.69	18.11	15.51	3462	80.43	34.41	11.69	28.03	15.51	-	-	3676
CHHM10-6275DAY-AV	10	4	71.42	45.71	8.31	5.63	9.88	5579	75.16	45.71	8.31	9.37	9.88	6.69	7.17	5612
CHHM15-6275DAY-AV	15	4	73.98	45.71	9.13	11.61	12.76	5689	77.52	45.71	9.13	15.16	12.76	8.66	-	5766
CHHM20-6275DAY-AV	20	4	77.72	45.71	11.69	13.39	15.51	5854	85.98	45.71	11.69	21.65	15.51	14.45	-	5954
CHHM25-6275DAY-AV	25	4	77.72	45.71	11.69	13.39	15.51	5854	85.98	45.71	11.69	21.65	15.51	14.45	-	5954
CHHM30-6275DAY-AV	30	4	77.72	45.71	11.69	13.39	15.51	5887	85.98	45.71	11.69	21.65	15.51	14.57	-	5982
CHHM40-6275DAY-AV	40	4	82.24	45.71	11.69	18.11	15.51	5971	90.71	45.71	11.69	28.03	15.51	17.52	-	6185
CHHM50-6275DAY-AV	50	4	82.24	45.71	11.69	18.11	15.51	5971	90.71	45.71	11.69	28.03	15.51	-	-	6185

Gearmotors

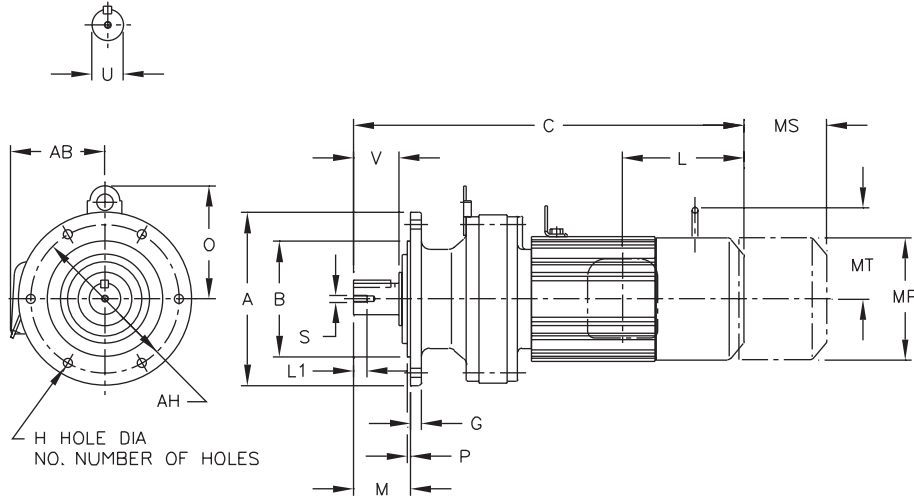
Dimensions



Dimensions Integral V-Flange Mount

Single Reduction

CNVM-6060/5Y ▶ 6120/5Y, PHVM-6100/5Y ▶ 6120/5Y



All dimensions are in inches

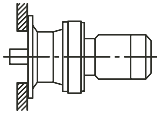
Model CNVM, PHVM	A	B	G	H	NO.	M	O	P	AH
6060/5Y	4.72	3.1484 3.1466	0.31	0.35	6	1.34	-	0.12	4.02
6070/5Y	6.30	4.3293 4.3272	0.35	0.43	4	1.65	-	0.12	5.28
6080/5Y	6.30	4.3293 4.3272	0.35	0.43	4	1.89	-	0.12	5.28
6090/5Y	6.30	4.3293 4.3272	0.35	0.43	4	1.89	4.21	0.12	5.28
6100/5Y	6.30	4.3293 4.3272	0.35	0.43	4	1.89	4.21	0.12	5.28
6110/5Y	8.27	5.5101 5.5076	0.43	0.43	6	2.28	4.57	0.16	7.09
6120/5Y	8.27	5.5101 5.5076	0.51	0.43	6	2.72	5.39	0.16	7.09

Gearmotors
Dimensions

Model CNVM, PHVM	Low Speed Shaft				
	U*	V	S	L1	Key
6060/5Y	0.500	0.98	10-32UNF	0.63	1/8 X 1/8 X 0.79
6070/5Y	0.750	1.18	12-28UNF	0.63	3/16 X 3/16 X 1.06
6080/5Y	0.875	1.38	12-28UNF	0.63	3/16 X 3/16 X 1.18
6090/5Y	1.125	1.38	5/16-18UNC	0.79	1/4 X 1/4 X 1.18
6100/5Y	1.125	1.38	5/16-18UNC	0.79	1/4 X 1/4 X 1.18
6110/5Y	1.250	1.77	5/16-18UNC	0.79	1/4 X 1/4 X 1.46
6120/5Y	1.500	2.17	5/16-18UNC	0.79	3/8 X 3/8 X 1.77

***Shaft Tolerances**

Shaft Nominal Diameter (inches)	Tolerances (inches)
0.500 (1/2) through 0.625 (5/8)	+0.0000/-0.0004
0.750 (3/4) through 1.125 (1 1/8)	+0.0000/-0.0005
1.250 (1 1/4) through 1.875 (1 7/8)	+0.0000/-0.0006



Dimensions Integral V-Flange Mount

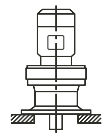
Single Reduction CNVM-6060/5Y ▶ 6120/5Y, PHVM-6100/5Y ▶ 6120/5Y (cont.)

All dimensions are in inches

Model	Motor		Without Brake				Appx Wt (lb)	With Brake						Appx Wt (lb)
	HP	Pole	C	AB	L	MP		C	AB	L	MP	MS	MT	
CNVM01-6060/5Y	1/8	4	8.90	5.04	1.38	4.69	13	10.28	5.04	2.76	4.88	1.93	-	18
CNVM02-6060/5Y	1/4	4	10.55	5.04	2.32	4.88	15	11.81	5.04	3.58	4.88	2.40	-	20
CNVM03-6060/5Y	1/3	4	10.55	5.04	2.32	4.88	18	11.81	5.04	3.58	4.88	2.40	-	20
CNVM01-6070/5Y	1/8	4	9.13	5.04	1.38	4.69	18	10.51	5.04	2.76	4.88	1.93	-	20
CNVM02-6070/5Y	1/4	4	10.79	5.04	2.32	4.88	20	12.05	5.04	3.58	4.88	2.40	-	22
CNVM03-6070/5Y	1/3	4	10.79	5.04	2.32	4.88	20	12.05	5.04	3.58	4.88	2.40	-	22
CNVM05-6070/5Y	1/2	4	11.57	5.04	2.32	4.88	22	12.83	5.04	3.58	4.88	2.40	-	24
CNVM01-6080/5Y	1/8	4	10.16	5.04	1.38	4.69	24	11.54	5.04	2.76	4.88	1.93	-	26
CNVM02-6080/5Y	1/4	4	11.81	5.04	2.32	4.88	26	13.07	5.04	3.58	4.88	2.40	-	29
CNVM03-6080/5Y	1/3	4	11.81	5.04	2.32	4.88	26	13.07	5.04	3.58	4.88	2.40	-	29
CNVM05-6080/5Y	1/2	4	12.60	5.04	2.32	4.88	31	13.86	5.04	3.58	4.88	2.40	-	33
CNVM08-6080/5Y	3/4	4	14.21	5.43	3.82	5.83	40	15.91	5.43	5.51	5.83	3.66	4.17	42
CNVM1-6080/5Y	1	4	14.21	5.43	3.82	5.83	40	15.91	5.43	5.51	5.83	3.66	4.17	42
CNVM01-6090/5Y	1/8	4	10.87	5.04	1.38	4.69	26	12.24	5.04	2.76	4.88	1.93	-	31
CNVM02-6090/5Y	1/4	4	12.52	5.04	2.32	4.88	29	13.78	5.04	3.58	4.88	2.40	-	33
CNVM03-6090/5Y	1/3	4	12.52	5.04	2.32	4.88	29	13.78	5.04	3.58	4.88	2.40	-	33
CNVM05-6090/5Y	1/2	4	13.31	5.04	2.32	4.88	31	14.57	5.04	3.58	4.88	2.40	-	35
CNVM08-6090/5Y	3/4	4	14.92	5.43	3.82	5.83	40	16.61	5.43	5.51	5.83	3.66	4.17	46
CNVM1-6090/5Y	1	4	14.92	5.43	3.82	5.83	40	16.61	5.43	5.51	5.83	3.66	4.17	46
CNVM1H-6090/5Y	1.5	4	16.22	5.63	3.94	6.30	46	18.66	5.63	6.38	6.30	4.53	4.49	57
CNVM2-6090/5Y	2	4	16.22	5.63	3.94	6.30	46	18.66	5.63	6.38	6.30	4.53	4.49	57
CNVM02-6100/5Y	1/4	4	13.07	5.04	2.32	4.88	33	14.33	5.04	3.58	4.88	2.40	-	37
CNVM03-6100/5Y	1/3	4	13.07	5.04	2.32	4.88	33	14.33	5.04	3.58	4.88	2.40	-	37
CNVM05-6100/5Y	1/2	4	13.86	5.04	2.32	4.88	35	15.12	5.04	3.58	4.88	2.40	-	40
CNVM08-6100/5Y	3/4	4	15.47	5.43	3.82	5.83	44	17.17	5.43	5.51	5.83	3.66	4.17	51
CNVM1-6100/5Y	1	4	15.47	5.43	3.82	5.83	44	17.17	5.43	5.51	5.83	3.66	4.17	51
CNVM/PHVM1H-6100/5Y	1.5	4	16.77	5.63	3.94	6.30	53	19.21	5.63	6.38	6.30	4.53	4.49	64
CNVM/PHVM2-6100/5Y	2	4	16.77	5.63	3.94	6.30	53	19.21	5.63	6.38	6.30	4.53	4.49	64
CNVM/PHVM3-6100/5Y	3	4	17.56	5.91	4.13	6.81	62	20.04	5.91	6.61	6.81	4.76	4.88	75
CNVM05-6110/5Y	1/2	4	14.29	5.04	2.32	4.88	40	15.51	5.04	3.58	4.88	2.40	-	44
CNVM08-6110/5Y	3/4	4	15.87	5.43	3.82	5.83	46	17.80	5.43	5.51	5.83	3.66	4.17	53
CNVM1-6110/5Y	1	4	15.87	5.43	3.82	5.83	46	17.80	5.43	5.51	5.83	3.66	4.17	53
CNVM1H-6110/5Y	1.5	4	17.17	5.63	3.94	6.30	53	19.41	5.63	6.38	6.30	4.53	4.49	64
CNVM2-6110/5Y	2	4	17.17	5.63	3.94	6.30	53	19.41	5.63	6.38	6.30	4.53	4.49	64
CNVM3-6110/5Y	3	4	17.95	5.91	4.13	6.81	62	20.43	5.91	6.61	6.81	4.76	4.88	75
CNVM5-6110/5Y	5	4	19.33	6.54	5.00	8.35	84	22.17	6.54	7.83	8.35	5.20	6.18	106
CNVM08-6120/5Y	3/4	4	16.65	5.43	3.82	5.83	66	18.35	5.43	5.51	5.83	3.66	4.17	73
CNVM1-6120/5Y	1	4	16.65	5.43	3.82	5.83	66	18.35	5.43	5.51	5.83	3.66	4.17	73
CNVM1H-6120/5Y	1.5	4	17.95	5.63	3.94	6.30	75	20.39	5.63	6.38	6.30	4.53	4.49	86
CNVM2-6120/5Y	2	4	17.95	5.63	3.94	6.30	75	20.39	5.63	6.38	6.30	4.53	4.49	86
CNVM3-6120/5Y	3	4	18.74	5.91	4.13	6.81	84	21.22	5.91	6.61	6.81	4.76	4.88	99
CNVM/PHVM5-6120/5Y	5	4	19.65	6.54	5.00	8.35	106	22.48	6.54	7.83	8.35	5.20	6.18	128
CNVM/PHVM8-6120/5Y	7.5	4	21.38	6.54	5.00	8.35	121	24.21	6.54	7.83	8.35	5.20	6.18	143

Gearmotors

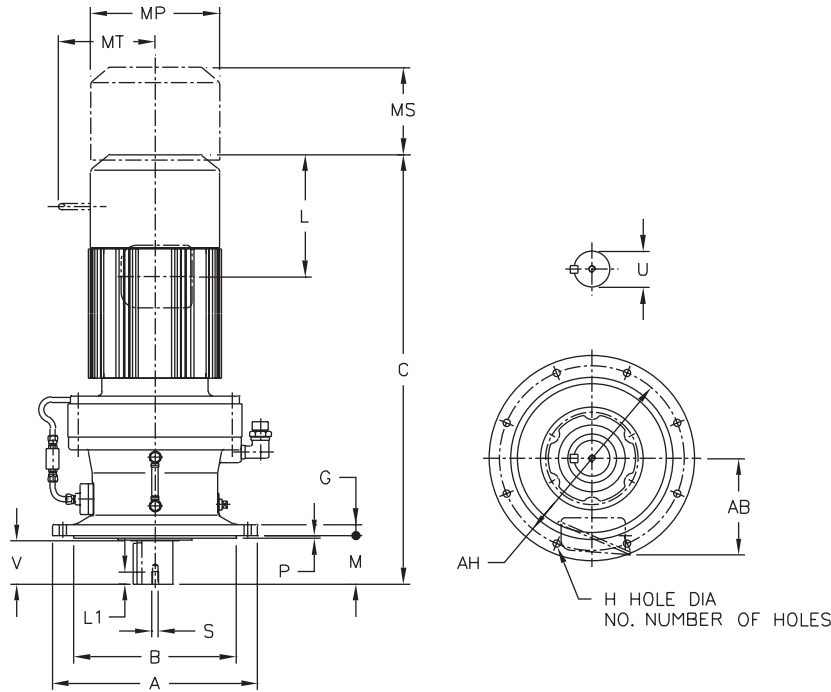
Dimensions



Dimensions Integral Vertical V-Flange Mount

Single Reduction

CVVM-6130/5Y ▶ 6190/5Y, PVVM-6130/5Y ▶ 6170/5Y



All dimensions are in inches

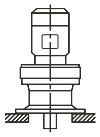
Model CVVM, PVVM	A	B	G	H	NO.	M	P	AH
6130/5Y	10.24	7.8720 7.8692	0.59	0.43	6	2.99	0.16	9.06
6140/5Y	10.24	7.8720 7.8692	0.59	0.43	6	3.78	0.16	9.06
6160/5Y	13.39	10.6277 10.6245	0.79	0.43	6	3.50	0.16	12.20
6170/5Y	15.75	12.4385 12.4350	0.87	0.55	8	3.70	0.20	14.17
6180/5Y	16.93	13.5802 13.5767	0.87	0.71	8	4.33	0.20	15.35
6190/5Y	19.29	15.7456 15.7421	1.18	0.71	12	5.71	0.24	17.72

Model CVVM, PVVM	Low Speed Shaft				Key
	U*	V	S	L1	
6130/5Y	1.875	2.40	3/8-16UNC	0.71	1/2 X 1/2 X 2.16
6140/5Y	1.875	3.19	3/8-16UNC	0.71	1/2 X 1/2 X 2.95
6160/5Y	2.250	3.15	3/8-16UNC	0.71	1/2 X 1/2 X 2.95
6170/5Y	2.750	3.31	1/2-13UNC	0.94	5/8 X 5/8 X 3.15
6180/5Y	3.125	3.94	1/2-13UNC	0.94	3/4 X 3/4 X 3.74
6190/5Y	3.625	4.92	3/4-10UNC	1.34	7/8 X 7/8 X 4.92

*Shaft Tolerances

Shaft Nominal Diameter (inches)	Tolerances (inches)
1.250 (1 1/4) through 1.875 (1 7/8)	+0.0000/-0.0006
2.000 (2) through 3.125 (3 1/8)	+0.0000/-0.0007
3.250 (3 1/4) through 4.625 (4 5/8)	+0.0000/-0.0009
4.750 (4 3/4) through 7.000 (7)	+0.0000/-0.0010

Dimensions



Dimensions Integral Vertical V-Flange Mount

Single Reduction

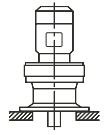
CVVM-6130/5Y ▶ 6190/5Y, PVVM-6130/5Y ▶ 6170/5Y (cont.)

All dimensions are in inches

Model	Motor		Without Brake				Appx Wt (lb)	With Brake						Appx Wt (lb)
	HP	Pole	C	AB	L	MP		C	AB	L	MP	MS	MT	
CVVM1-6130/5Y	1	4	18.78	5.43	3.82	5.83	110	20.47	5.43	5.51	5.83	3.66	4.17	117
CVVM1H-6130/5Y	1.5	4	20.08	5.63	3.94	6.30	119	22.52	5.63	6.38	6.30	4.53	4.49	130
CVVM2-6130/5Y	2	4	20.08	5.63	3.94	6.30	119	22.52	5.63	6.38	6.30	4.53	4.49	130
CVVM3-6130/5Y	3	4	20.87	5.91	4.13	6.81	126	23.35	5.91	6.61	6.81	4.76	4.88	141
CVVM5-6130/5Y	5	4	21.77	6.54	5.00	8.35	148	24.61	6.54	7.83	8.35	5.20	6.18	170
CVVM/PVVM8-6130/5Y	7.5	4	23.50	6.54	5.00	8.35	163	26.34	6.54	7.83	8.35	5.20	6.18	185
CVVM/PVVM10-6130/5Y	10	4	24.41	8.31	5.63	9.88	196	28.15	8.31	9.37	9.88	6.69	7.17	236
CVVM15-6130/5Y	15	4	26.77	8.31	5.63	9.88	227	30.51	8.31	9.37	9.88	6.69	7.17	265
CVVM1H-6140/5Y	1.5	4	20.87	5.63	3.94	6.30	121	23.31	5.63	6.38	6.30	4.53	4.49	132
CVVM2-6140/5Y	2	4	20.87	5.63	3.94	6.30	121	23.31	5.63	6.38	6.30	4.53	4.49	132
CVVM3-6140/5Y	3	4	21.65	5.91	4.13	6.81	128	24.13	5.91	6.61	6.81	4.76	4.88	143
CVVM5-6140/5Y	5	4	22.56	6.54	5.00	8.35	150	25.39	6.54	7.83	8.35	5.20	6.18	172
CVVM8-6140/5Y	7.5	4	24.29	6.54	5.00	8.35	165	27.13	6.54	7.83	8.35	5.20	6.18	187
CVVM/PVVM10-6140/5Y	10	4	25.20	8.31	5.63	9.88	198	28.94	8.31	9.37	9.88	6.69	7.17	238
CVVM/PVVM15-6140/5Y	15	4	27.56	8.31	5.63	9.88	227	31.30	8.31	9.37	9.88	6.69	7.17	267
CVVM20-6140/5Y	20	4	31.10	9.13	11.61	12.76	342	34.65	9.13	15.16	12.76	8.66	-	415
CVVM2-6160/5Y	2	4	22.95	5.63	3.94	6.30	194	25.39	5.63	6.38	6.30	4.53	4.49	205
CVVM3-6160/5Y	3	4	23.54	5.91	4.13	6.81	201	26.02	5.91	6.61	6.81	4.76	4.88	214
CVVM5-6160/5Y	5	4	24.45	6.54	5.00	8.35	221	27.28	6.54	7.83	8.35	5.20	6.18	243
CVVM8-6160/5Y	7.5	4	26.18	6.54	5.00	8.35	236	29.02	6.54	7.83	8.35	5.20	6.18	258
CVVM10-6160/5Y	10	4	27.28	8.31	5.63	9.88	271	31.02	8.31	9.37	9.88	6.69	7.17	309
CVVM/PVVM15-6160/5Y	15	4	29.65	8.31	5.63	9.88	302	33.39	8.31	9.37	9.88	6.69	7.17	340
CVVM/PVVM20-6160/5Y	20	4	32.99	9.13	11.61	12.76	419	36.54	9.13	15.16	12.76	8.66	-	492
CVVM/PVVM25-6160/5Y	25	4	36.73	11.69	13.39	15.51	578	45.00	11.69	21.65	15.51	14.45	-	690
CVVM30-6160/5Y	30	4	36.73	11.69	13.39	15.51	578	45.00	11.69	21.65	15.51	14.45	-	690
CVVM5-6170/5Y	5	4	26.77	6.54	5.00	8.35	315	29.61	6.54	7.83	8.35	5.20	6.18	337
CVVM8-6170/5Y	7.5	4	28.50	6.54	5.00	8.35	331	31.34	6.54	7.83	8.35	5.20	6.18	353
CVVM10-6170/5Y	10	4	29.21	8.31	5.63	9.88	364	32.95	8.31	9.37	9.88	6.69	7.17	404
CVVM15-6170/5Y	15	4	31.57	8.31	5.63	9.88	395	35.31	8.31	9.37	9.88	6.69	7.17	434
CVVM/PVVM20-6170/5Y	20	4	34.72	9.13	11.61	12.76	514	38.27	9.13	15.16	12.76	8.66	-	587
CVVM/PVVM25-6170/5Y	25	4	38.46	11.69	13.39	15.51	664	46.73	11.69	21.65	15.51	14.45	-	776
CVVM/PVVM30-6170/5Y	30	4	38.46	11.69	13.39	15.51	664	46.73	11.69	21.65	15.51	14.45	-	776
CVVM40-6170/5Y	40	4	38.46	11.69	13.39	15.51	701	46.73	11.69	21.65	15.51	14.57	-	796
CVVM5-6180/5Y	5	4	28.23	6.54	5.00	8.35	373	31.06	6.54	7.83	8.35	5.20	6.18	395
CVVM8-6180/5Y	7.5	4	29.96	6.54	5.00	8.35	390	32.80	6.54	7.83	8.35	5.20	6.18	412
CVVM10-6180/5Y	10	4	30.67	8.31	5.63	9.88	423	34.41	8.31	9.37	9.88	6.69	7.17	463
CVVM15-6180/5Y	15	4	33.03	8.31	5.63	9.88	454	36.77	8.31	9.37	9.88	6.69	7.17	494
CVVM20-6180/5Y	20	4	36.18	9.13	11.61	12.76	587	39.72	9.13	15.16	12.76	8.66	-	648
CVVM25-6180/5Y	25	4	39.92	11.69	13.39	15.51	723	48.19	11.69	21.65	15.51	14.45	-	836
CVVM30-6180/5Y	30	4	39.92	11.69	13.39	15.51	723	48.19	11.69	21.65	15.51	14.45	-	836
CVVM40-6180/5Y	40	4	39.92	11.69	13.39	15.51	761	48.19	11.69	21.65	15.51	14.57	-	856
CVVM50-6180/5Y	50	4	44.45	11.69	16.93	15.51	867	52.91	11.69	25.39	15.51	17.52	-	1080
CVVM60-6180/5Y	60	4	44.45	11.69	16.93	15.51	867	52.91	11.69	25.39	15.51	17.52	-	1080
CVVM8-6190/5Y	7.5	4	33.74	6.54	5.00	8.35	549	36.57	6.54	7.83	8.35	5.20	6.18	571
CVVM10-6190/5Y	10	4	34.25	8.31	5.63	9.88	578	37.99	8.31	9.37	9.88	6.69	7.17	617
CVVM15-6190/5Y	15	4	36.61	8.31	5.63	9.88	609	40.35	8.31	9.37	9.88	6.69	7.17	648
CVVM20-6190/5Y	20	4	39.17	9.13	11.61	12.76	725	42.72	9.13	15.16	12.76	8.66	-	800
CVVM25-6190/5Y	25	4	42.91	11.69	13.39	15.51	884	51.18	11.69	21.65	15.51	14.45	-	983
CVVM256-6190/5Y	25	6	42.91	11.69	13.39	15.51	884	51.18	11.69	21.65	15.51	14.45	-	979
CVVM30-6190/5Y	30	4	42.91	11.69	13.39	15.51	884	51.18	11.69	21.65	15.51	14.45	-	983
CVVM40-6190/5Y	40	4	42.91	11.69	13.39	15.51	917	51.18	11.69	21.65	15.51	14.45	-	979
CVVM406-6190/5Y	40	6	47.44	11.69	16.93	15.51	1001	55.91	11.69	25.39	15.51	17.52	-	1215
CVVM50-6190/5Y	50	4	47.44	11.69	16.93	15.51	1001	55.91	11.69	25.39	15.51	17.52	-	1215
CVVM506-6190/5Y	50	6	47.44	11.69	16.93	15.51	1001	55.91	11.69	25.39	15.51	17.52	-	1215
CVVM60-6190/5Y	60	4	47.44	11.69	16.93	15.51	1001	55.91	11.69	25.39	15.51	17.52	-	1215

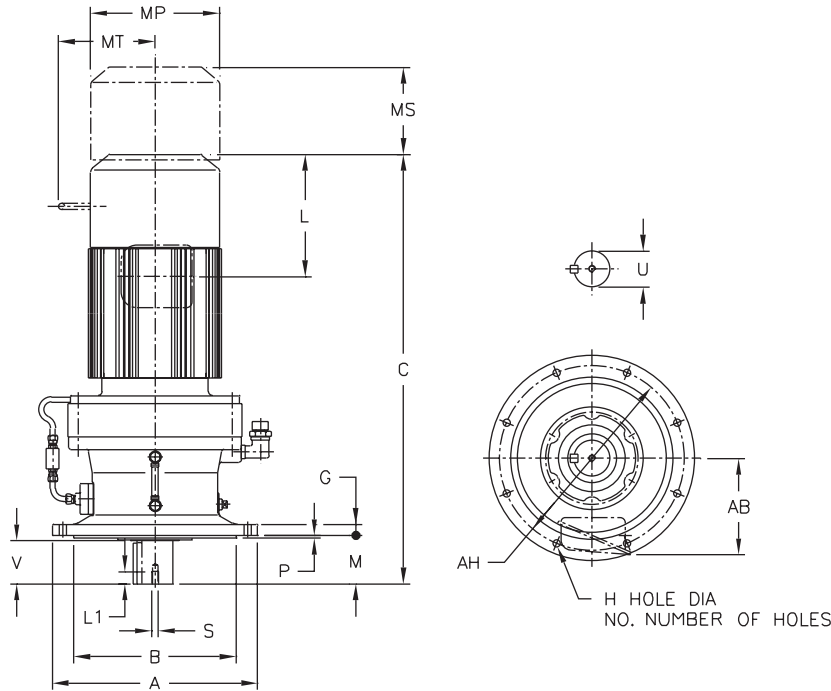
Gearmotors

Dimensions



Dimensions Integral Vertical V-Flange Mount

Single Reduction CVVM-6205Y ▶ 6235Y



Gearmotors All dimensions are in inches

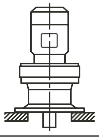
Dimensions

Model CVVM	A	B	G	H	NO.	M	P	AH
6205Y	17.91	13.9739 13.9704	1.18	0.87	8	8.03	0.20	15.94
6215Y	19.29	15.3519 15.3484	1.38	0.94	8	7.99	0.28	17.32
6225Y	21.06	16.3359 16.3321	1.38	1.06	8	8.27	0.39	18.70
6235Y	22.44	17.7139 17.7100	1.57	1.06	8	9.84	0.39	20.08

Model CVVM	Low Speed Shaft				Key
	U*	V	S	L1	
6205Y	3.875	6.50	3/4-10UNC	1.34	1 X 1 X 6.50
6215Y	4.250	6.50	3/4-10UNC	1.34	1 X 1 X 6.50
6225Y	4.625	6.50	3/4-10UNC	1.34	1-1/4 X 7/8 X 6.50
6235Y	5.000	7.87	1-8UNC	1.61	1-1/4 X 7/8 X 7.87

***Shaft Tolerances**

Shaft Nominal Diameter (inches)	Tolerances (inches)
1.250 (1 1/4) through 1.875 (1 7/8)	+0.0000/-0.0006
2.000 (2) through 3.125 (3 1/8)	+0.0000/-0.0007
3.250 (3 1/4) through 4.625 (4 5/8)	+0.0000/-0.0009
4.750 (4 3/4) through 7.000 (7)	+0.0000/-0.0010



Dimensions Integral Vertical V-Flange Mount

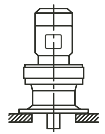
Single Reduction CVVM-6205Y ▶ 6235Y (cont.)

All dimensions are in inches

Model	Motor		C	Without Brake			Appx Wt (lb)	With Brake						Appx Wt (lb)
	HP	Pole		AB	L	MP		C	AB	L	MP	MS	MT	
CVVM15-6205Y	15	4	38.27	8.31	5.63	9.88	657	42.01	8.31	9.37	9.88	6.69	7.17	697
CVVM20-6205Y	20	4	41.02	9.13	11.61	12.76	776	44.57	9.13	15.16	12.76	8.66	-	853
CVVM206-6205Y	20	6	44.37	11.69	13.39	15.51	933	52.64	11.69	21.65	15.51	14.45	-	1032
CVVM25-6205Y	25	4	44.37	11.69	13.39	15.51	933	52.64	11.69	21.65	15.51	14.45	-	1032
CVVM30-6205Y	30	4	44.37	11.69	13.39	15.51	933	52.64	11.69	21.65	15.51	14.45	-	1032
CVVM306-6205Y	30	6	44.37	11.69	13.39	15.51	961	52.64	11.69	21.65	15.51	14.57	-	1061
CVVM40-6205Y	40	4	44.37	11.69	13.39	15.51	961	52.64	11.69	21.65	15.51	14.57	-	1061
CVVM406-6205Y	40	6	48.90	11.69	16.93	15.51	1045	57.36	11.69	25.39	15.51	17.52	-	1252
CVVM50-6205Y	50	4	48.90	11.69	16.93	15.51	1045	57.36	11.69	25.39	15.51	17.52	-	1252
CVVM506-6205Y	50	6	48.90	11.69	16.93	15.51	1045	57.36	11.69	25.39	15.51	17.52	-	1252
CVVM60-6205Y	60	4	48.90	11.69	16.93	15.51	1045	57.36	11.69	25.39	15.51	17.52	-	1252
CVVM606-6205Y	60	6	51.06	16.22	18.31	19.06	1250	-	-	-	-	-	-	-
CVVM75-6205Y	75	4	51.06	16.22	18.31	19.06	1250	-	-	-	-	-	-	-
CVVM15-6215Y	15	4	39.21	8.31	5.63	9.88	829	42.95	8.31	9.37	9.88	6.69	7.17	869
CVVM20-6215Y	20	4	41.97	9.13	11.61	12.76	950	45.51	9.13	15.16	12.76	8.66	-	1025
CVVM206-6215Y	20	6	45.31	11.69	13.39	15.51	1094	53.58	11.69	21.65	15.51	14.45	-	1193
CVVM25-6215Y	25	4	45.31	11.69	13.39	15.51	1094	53.58	11.69	21.65	15.51	14.45	-	1193
CVVM256-6215Y	25	6	45.31	11.69	13.39	15.51	1122	53.58	11.69	21.65	15.51	14.45	-	1222
CVVM30-6215Y	30	4	45.31	11.69	13.39	15.51	1094	53.58	11.69	21.65	15.51	14.45	-	1193
CVVM306-6215Y	30	6	45.31	11.69	13.39	15.51	1122	53.58	11.69	21.65	15.51	14.57	-	1222
CVVM40-6215Y	40	4	45.31	11.69	13.39	15.51	1122	53.58	11.69	21.65	15.51	14.57	-	1222
CVVM406-6215Y	40	6	49.84	11.69	16.93	15.51	1244	58.31	11.69	25.39	15.51	17.52	-	1453
CVVM50-6215Y	50	4	49.84	11.69	16.93	15.51	1244	58.31	11.69	25.39	15.51	17.52	-	1453
CVVM506-6215Y	50	6	49.84	11.69	16.93	15.51	1244	58.31	11.69	25.39	15.51	17.52	-	1453
CVVM60-6215Y	60	4	49.84	11.69	16.93	15.51	1244	58.31	11.69	25.39	15.51	17.52	-	1453
CVVM606-6215Y	60	6	52.01	16.22	18.31	19.06	1449	-	-	-	-	-	-	-
CVVM75-6215Y	75	4	52.01	16.22	18.31	19.06	1449	-	-	-	-	-	-	-
CVVM206-6225Y	20	6	46.89	11.69	13.39	15.51	1297	55.16	11.69	21.65	15.51	14.45	-	1396
CVVM25-6225Y	25	4	46.89	11.69	13.39	15.51	1297	55.16	11.69	21.65	15.51	14.45	-	1396
CVVM256-6225Y	25	6	46.89	11.69	13.39	15.51	1325	55.16	11.69	21.65	15.51	14.45	-	1424
CVVM30-6225Y	30	4	46.89	11.69	13.39	15.51	1297	55.16	11.69	21.65	15.51	14.45	-	1396
CVVM306-6225Y	30	6	46.89	11.69	13.39	15.51	1325	55.16	11.69	21.65	15.51	14.57	-	1424
CVVM40-6225Y	40	4	46.89	11.69	13.39	15.51	1325	55.16	11.69	21.65	15.51	14.57	-	1424
CVVM406-6225Y	40	6	51.42	11.69	16.93	15.51	1444	59.88	11.69	25.39	15.51	17.52	-	1654
CVVM50-6225Y	50	4	51.42	11.69	16.93	15.51	1444	59.88	11.69	25.39	15.51	17.52	-	1654
CVVM506-6225Y	50	6	51.42	11.69	16.93	15.51	1444	59.88	11.69	25.39	15.51	17.52	-	1654
CVVM60-6225Y	60	4	51.42	11.69	16.93	15.51	1444	59.88	11.69	25.39	15.51	17.52	-	1654
CVVM606-6225Y	60	6	53.58	16.22	18.31	19.06	1627	-	-	-	-	-	-	-
CVVM75-6225Y	75	4	53.58	16.22	18.31	19.06	1627	-	-	-	-	-	-	-
CVVM206-6235Y	20	6	49.33	11.69	13.39	15.51	1429	57.60	11.69	21.65	15.51	14.45	-	1497
CVVM256-6235Y	25	6	49.33	11.69	13.39	15.51	1429	57.60	11.69	21.65	15.51	14.45	-	1528
CVVM306-6235Y	30	6	49.33	11.69	13.39	15.51	1429	57.60	11.69	21.65	15.51	14.57	-	1528
CVVM406-6235Y	40	6	53.86	11.69	16.93	15.51	1530	62.32	11.69	25.39	15.51	17.52	-	1724
CVVM506-6235Y	50	6	53.86	11.69	16.93	15.51	1530	62.32	11.69	25.39	15.51	17.52	-	1724
CVVM606-6235Y	60	6	56.02	16.22	18.31	19.06	1727	-	-	-	-	-	-	-
CVVM756-6235Y	75	6	59.17	16.22	19.88	19.09	1846	-	-	-	-	-	-	-

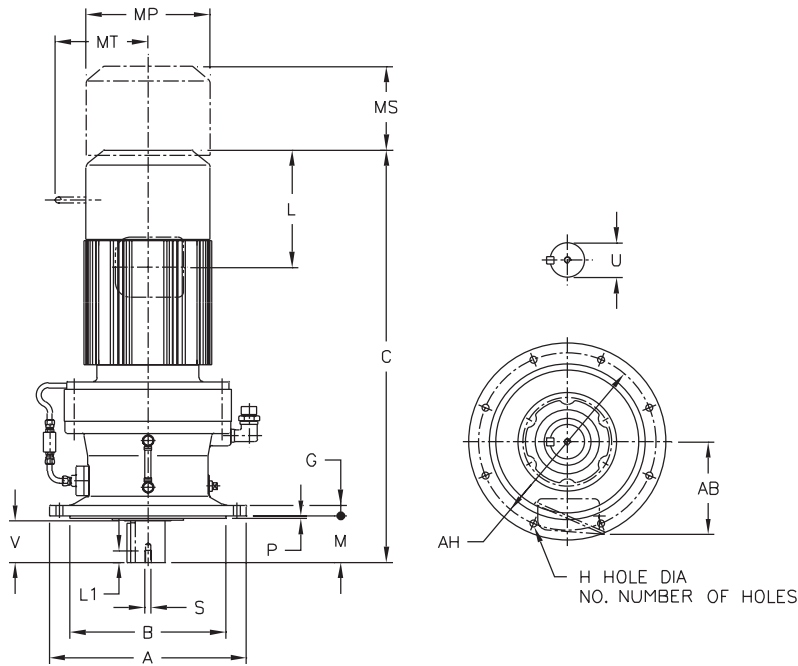
Gearmotors

Dimensions



Dimensions Integral Vertical V-Flange Mount

Single Reduction CVVM-6245Y ▶ 6265Y



All dimensions are in inches

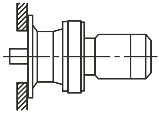
Model CVVM	A	B	G	H	NO.	M	P	AH
6245Y	25.00	19.0918 19.0880	1.57	1.30	8	9.84	0.39	22.05
6255Y	26.97	21.0600 21.0557	1.77	1.30	8	11.61	0.39	24.02
6265Y	29.53	22.4380 22.4336	1.97	1.54	8	14.17	0.39	25.98

Model CVVM	Low Speed Shaft				
	U*	V	S	L1	Key
6245Y	5.500	7.87	1-8UNC	1.61	1-1/4 X 7/8 X 7.87
6255Y	6.250	9.45	1-1/4-7UNC	1.93	1-1/2 X 1 X 9.45
6265Y	6.625	11.81	1-1/4-7UNC	1.93	1-3/4 X 1-1/4 X 11.8

***Shaft Tolerances**

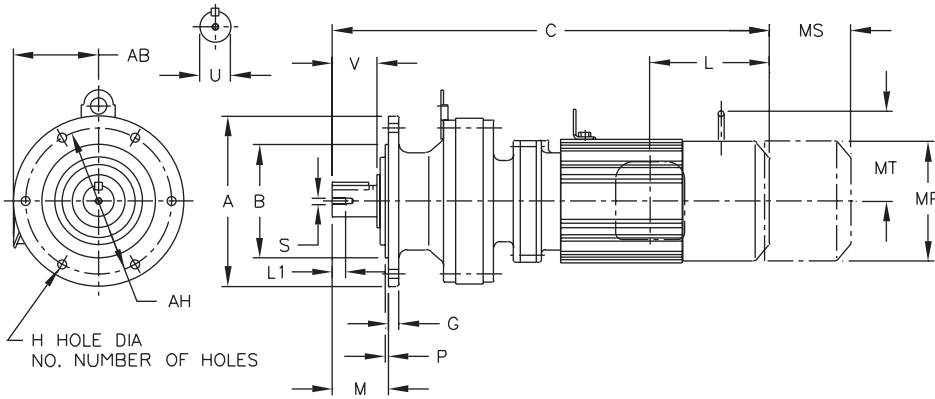
Shaft Nominal Diameter (inches)	Tolerances (inches)
1.250 (1 1/4) through 1.875 (1 7/8)	+0.0000/-0.0006
2.000 (2) through 3.125 (3 1/8)	+0.0000/-0.0007
3.250 (3 1/4) through 4.625 (4 5/8)	+0.0000/-0.0009
4.750 (4 3/4) through 7.000 (7)	+0.0000/-0.0010

Model	Motor		C	Without Brake			Appx Wt (lb)	With Brake					Appx Wt (lb)	
	HP	Pole		AB	L	MP		C	AB	L	MP	MS		MT
CVVM206-6245Y	20	6	50.47	11.69	13.39	15.51	1663	58.74	11.69	21.65	15.51	14.45	-	1735
CVVM256-6245Y	25	6	50.47	11.69	13.39	15.51	1663	58.74	11.69	21.65	15.51	14.45	-	1766
CVVM306-6245Y	30	6	50.47	11.69	13.39	15.51	1663	58.74	11.69	21.65	15.51	14.57	-	1766
CVVM406-6245Y	40	6	55.00	11.69	16.93	15.51	1764	63.46	11.69	25.39	15.51	17.52	-	1958
CVVM506-6245Y	50	6	55.00	11.69	16.93	15.51	1764	63.46	11.69	25.39	15.51	17.52	-	1958
CVVM606-6245Y	60	6	57.17	16.22	18.31	19.06	1965	-	-	-	-	-	-	-
CVVM756-6245Y	75	6	60.31	16.22	19.88	19.09	2073	-	-	-	-	-	-	-
CVVM256-6255Y	25	6	55.12	11.69	13.39	15.51	2293	67.91	11.69	21.65	15.51	14.45	-	2496
CVVM306-6255Y	30	6	55.12	11.69	13.39	15.51	2293	67.91	11.69	21.65	15.51	14.57	-	2496
CVVM406-6255Y	40	6	59.65	11.69	16.93	15.51	2392	68.11	11.69	25.39	15.51	17.52	-	2586
CVVM506-6255Y	50	6	59.65	11.69	16.93	15.51	2392	68.11	11.69	25.39	15.51	17.52	-	2586
CVVM606-6255Y	60	6	61.81	16.22	18.31	19.06	2569	-	-	-	-	-	-	-
CVVM756-6255Y	75	6	64.96	16.22	19.88	19.09	2690	-	-	-	-	-	-	-
CVVM406-6265Y	40	6	64.25	11.69	16.93	15.51	3065	72.72	11.69	25.39	15.51	17.52	-	3259
CVVM506-6265Y	50	6	64.25	11.69	16.93	15.51	3065	72.72	11.69	25.39	15.51	17.52	-	3259
CVVM606-6265Y	60	6	66.42	16.22	18.31	19.06	3274	-	-	-	-	-	-	-



Dimensions Integral Universal V-Flange Mount

Double Reduction CNVM-6060/5DAY ▶ 6120/5DBY



All dimensions are in inches

Model CNVM	A	B	G	H	NO.	M	O	P	AH
6060/5DAY	4.72	3.1484 3.1466	0.31	0.35	6	1.34	-	0.12	4.02
6070/5DAY	6.30	4.3293 4.3272	0.35	0.43	4	1.65	-	0.12	5.28
6090/5DAY	6.30	4.3293 4.3272	0.35	0.43	4	1.89	4.21	0.12	5.28
6100/5DAY	6.30	4.3293 4.3272	0.35	0.43	4	1.89	4.21	0.12	5.28
6120/5DBY	8.27	5.5101 5.5076	0.51	0.43	6	2.72	5.39	0.16	7.09

Model CNVM	U*	V	Low Speed Shaft			Key
			S	L1		
6060/5DAY	0.500	0.98	10-32UNF	0.63	1/8 X 1/8 X 0.79	
6070/5DAY	0.750	1.18	12-28UNF	0.63	3/16 X 3/16 X 1.06	
6090/5DAY	1.125	1.38	5/16-18UNC	0.79	1/4 X 1/4 X 1.18	
6100/5DAY	1.125	1.38	5/16-18UNC	0.79	1/4 X 1/4 X 1.18	
6120/5DBY	1.500	2.17	5/16-18UNC	0.79	3/8 X 3/8 X 1.77	

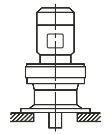
***Shaft Tolerances**

Shaft Nominal Diameter (inches)	Tolerances (inches)
0.500 (1/2) through 0.625 (5/8)	+0.0000/-0.0004
0.750 (3/4) through 1.125 (1 1/8)	+0.0000/-0.0005
1.250 (1 1/4) through 1.875 (1 7/8)	+0.0000/-0.0006

Gearmotors

Dimensions

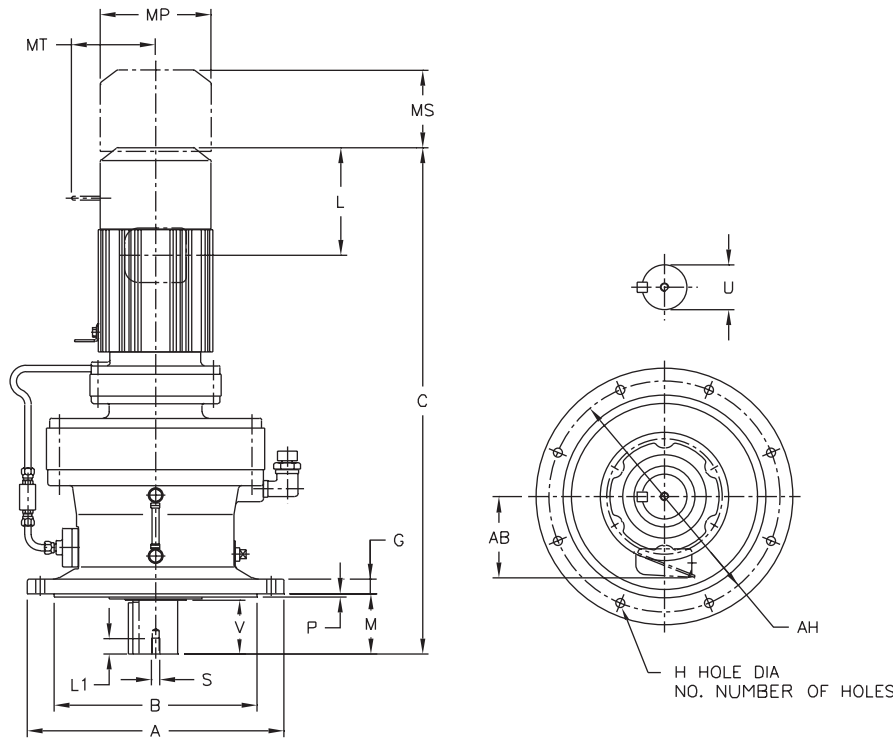
Model	Motor Pole		C	Without Brake			Appx Wt (lb)	C	With Brake			Appx Wt (lb)		
	HP	Pole		AB	L	MP			L	MP	MS		MT	
CNVM01-6060/5DAY	1/8	4	10.20	5.04	1.38	4.69	18	11.57	5.04	2.76	4.88	1.93	-	24
CNVM01-6070/5DAY	1/8	4	10.43	5.04	1.38	4.69	18	11.81	5.04	2.76	4.88	1.93	-	24
CNVM02-6070/5DAY	1/4	4	12.09	5.04	2.32	4.88	20	13.35	5.04	3.58	4.88	2.40	-	26
CNVM01-6090/5DAY	1/8	4	12.76	5.04	1.38	4.69	33	14.13	50.59	2.76	4.88	1.93	-	35
CNVM02-6090/5DAY	1/4	4	14.41	5.04	2.32	4.88	35	15.67	5.04	3.58	4.88	2.40	-	37
CNVM03-6090/5DAY	1/3	4	14.41	5.04	2.32	4.88	35	15.67	5.04	3.58	4.88	2.40	-	37
CNVM05-6090/5DAY	1/2	4	15.20	5.04	2.32	4.88	37	16.46	5.04	3.58	4.88	2.40	-	40
CNVM01-6100/5DAY	1/8	4	13.31	5.04	1.38	4.69	35	14.69	5.04	2.76	4.88	1.93	-	37
CNVM02-6100/5DAY	1/4	4	14.96	5.04	2.32	4.88	37	16.22	5.04	3.58	4.88	2.40	-	40
CNVM03-6100/5DAY	1/3	4	14.96	5.04	2.32	4.88	37	16.22	5.04	3.58	4.88	2.40	-	40
CNVM05-6100/5DAY	1/2	4	15.75	5.04	2.32	4.88	40	17.01	5.04	3.58	4.88	2.40	-	42
CNVM01-6120/5DBY	1/8	4	15.20	5.04	1.38	4.69	68	16.57	5.04	2.76	4.88	1.93	-	73
CNVM03-6120/5DBY	1/3	4	16.85	5.04	2.32	4.88	71	18.62	5.04	3.58	4.88	2.40	-	75
CNVM05-6120/5DBY	1/2	4	17.64	5.04	2.32	4.88	73	18.62	5.04	3.58	4.88	2.40	-	77
CNVM08-6120/5DBY	3/4	4	19.25	5.43	3.82	5.83	82	20.94	5.43	5.51	5.83	3.66	4.17	88
CNVM1-6120/5DBY	1	4	19.25	5.43	3.82	5.83	82	20.94	5.43	5.51	5.83	3.66	4.17	88
CNVM1H-6120/5DBY	1.5	4	20.31	5.63	3.94	6.30	90	22.76	5.63	6.38	6.30	4.53	4.49	101
CNVM2-6120/5DBY	2	4	20.31	5.63	3.94	6.30	90	22.76	5.63	6.38	6.30	4.53	4.49	101



Dimensions Integral Vertical V-Flange Mount

Double Reduction

CVVM-6130/5DCY ▶ 6190/5DBY



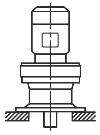
All dimensions are in inches

Model CVVM	A	B	G	H	NO.	M	P	AH
6130/5DCY	10.24	7.8720 7.8692	0.59	0.43	6	2.99	0.16	9.06
6140/5DBY	10.24	7.8720 7.8692	0.59	0.43	6	3.78	0.16	9.06
6160/5DCY	13.39	10.6277 10.6245	0.79	0.43	6	3.50	0.16	12.20
6170/5DCY	15.75	12.4385 12.4350	0.87	0.55	8	3.70	0.20	14.17
6180/5DBY	16.93	13.5802 13.5767	0.87	0.71	8	4.33	0.20	15.35
6190/5DAY	19.29	15.7456 15.7421	1.18	0.71	12	5.71	0.24	17.72
6190/5DBY	19.29	15.7456 15.7421	1.18	0.71	12	5.71	0.24	17.72

*Shaft Tolerances

Shaft Nominal Diameter (inches)	Tolerances (inches)
1.250 (1 1/4) through 1.875 (1 7/8)	+0.0000/-0.0006
2.000 (2) through 3.125 (3 1/8)	+0.0000/-0.0007
3.250 (3 1/4) through 4.625 (4 5/8)	+0.0000/-0.0009
4.750 (4 3/4) through 7.000 (7)	+0.0000/-0.0010

Model CVVM	Low Speed Shaft				Key
	U*	V	S	L1	
6130/5DCY	1.875	2.40	3/8-16UNC	0.71	1/2 X 1/2 X 2.16
6140/5DBY	1.875	3.19	3/8-16UNC	0.71	1/2 X 1/2 X 2.95
6160/5DCY	2.250	3.15	3/8-16UNC	0.71	1/2 X 1/2 X 2.95
6170/5DCY	2.750	3.31	1/2-13UNC	0.94	5/8 X 5/8 X 3.15
6180/5DBY	3.125	3.94	1/2-13UNC	0.94	3/4 X 3/4 X 3.74
6190/5DAY	3.625	4.92	3/4-10UNC	1.34	7/8 X 7/8 X 4.92
6190/5DBY	3.625	4.92	3/4-10UNC	1.34	7/8 X 7/8 X 4.92



Dimensions Integral Vertical V-Flange Mount

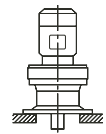
Double Reduction CVVM-6130/5DCY ▶ 6190/5DBY (cont.)

All dimensions are in inches

Model	Motor		Without Brake					Appx Wt (lb)	With Brake					Appx Wt (lb)
	HP	Pole	C	AB	L	MP	C		AB	L	MP	MS	MT	
CVVM02-6130/5DCY	1/4	4	19.41	5.04	2.32	4.88	110	20.67	5.04	3.58	4.88	2.40	-	115
CVVM03-6130/5DCY	1/3	4	19.41	5.04	2.32	4.88	110	20.67	5.04	3.58	4.88	2.40	-	115
CVVM05-6130/5DCY	1/2	4	20.20	5.04	2.32	4.88	112	21.46	5.04	3.58	4.88	2.40	-	117
CVVM08-6130/5DCY	3/4	4	21.81	5.43	3.82	5.83	121	23.50	5.43	5.51	5.83	3.66	4.17	117
CVVM1-6130/5DCY	1	4	21.81	5.43	3.82	5.83	121	23.50	5.43	5.51	5.83	3.66	4.17	128
CVVM1H-6130/5DCY	1.5	4	23.11	5.63	3.94	6.30	130	25.55	5.63	6.38	6.30	4.53	4.49	141
CVVM2-6130/5DCY	2	4	23.11	5.63	3.94	6.30	130	25.55	5.63	6.38	6.30	4.53	4.49	141
CVVM3-6130/5DCY	3	4	23.90	5.91	4.13	6.81	139	26.38	5.91	6.61	6.81	4.76	4.88	152
CVVM01-6140/5DBY	1/8	4	17.99	5.04	1.38	4.69	101	19.37	5.04	2.76	4.88	1.93	-	106
CVVM02-6140/5DBY	1/4	4	19.65	5.04	2.32	4.88	104	20.91	5.04	3.58	4.88	2.40	-	108
CVVM03-6140/5DBY	1/3	4	19.65	5.04	2.32	4.88	104	20.91	5.04	3.58	4.88	2.40	-	108
CVVM05-6140/5DBY	1/2	4	20.43	5.04	2.32	4.88	106	21.69	5.04	3.58	4.88	2.40	-	110
CVVM08-6140/5DBY	3/4	4	22.05	5.43	3.82	5.83	115	23.74	5.43	5.51	5.83	3.66	4.17	121
CVVM1-6140/5DBY	1	4	22.05	5.43	3.82	5.83	115	23.74	5.43	5.51	5.83	3.66	4.17	121
CVVM1H-6140/5DBY	1.5	4	23.35	5.63	3.94	6.30	123	25.79	5.63	6.38	6.30	4.53	4.49	135
CVVM2-6140/5DBY	2	4	23.35	5.63	3.94	6.30	123	25.79	5.63	6.38	6.30	4.53	4.49	135
CVVM05-6160/5DCY	1/2	4	26.73	5.04	4.13	6.81	234	29.21	5.04	6.61	6.81	4.76	4.88	249
CVVM08-6160/5DCY	3/4	4	23.07	5.43	2.32	4.88	207	24.49	5.43	3.58	4.88	2.40	-	212
CVVM1-6160/5DCY	1	4	24.65	5.43	3.82	5.83	216	26.34	5.43	5.51	5.83	3.66	4.17	223
CVVM1H-6160/5DCY	1.5	4	24.65	5.63	3.82	5.83	216	26.34	5.63	5.51	5.83	3.66	4.17	223
CVVM2-6160/5DCY	2	4	25.94	5.63	3.94	6.30	225	28.39	5.63	6.38	6.30	4.53	4.49	236
CVVM3-6160/5DCY	3	4	25.94	5.91	3.94	6.30	225	28.39	5.91	6.38	6.30	4.53	4.49	236
CVVM5-6160/5DCY	5	4	27.64	6.54	5.00	8.35	256	30.47	6.54	7.83	8.35	5.20	6.18	278
CVVM8-6160/5DCY	7.5	4	29.37	6.54	5.00	8.35	278	32.20	6.54	7.83	8.35	5.20	6.18	300
CVVM05-6170/5DCY	1/2	4	24.92	5.04	2.32	4.88	284	26.34	5.04	3.58	4.88	2.40	-	289
CVVM08-6170/5DCY	3/4	4	26.50	5.43	3.82	5.83	293	28.19	5.43	5.51	5.83	3.66	4.17	300
CVVM1-6170/5DCY	1	4	26.50	5.43	3.82	5.83	293	28.19	5.43	5.51	5.83	3.66	4.17	300
CVVM1H-6170/5DCY	1.5	4	27.80	5.63	3.94	6.30	302	30.24	5.63	6.38	6.30	4.53	4.49	313
CVVM2-6170/5DCY	2	4	27.80	5.63	3.94	6.30	302	30.24	5.63	6.38	6.30	4.53	4.49	313
CVVM3-6170/5DCY	3	4	28.58	5.91	4.13	6.81	311	31.06	5.91	6.61	6.81	4.76	4.88	326
CVVM5-6170/5DCY	5	4	29.49	6.54	5.00	8.35	333	32.32	6.54	7.83	8.35	5.20	6.18	355
CVVM8-6170/5DCY	7.5	4	31.22	6.54	5.00	8.35	355	34.06	6.54	7.83	8.35	5.20	6.18	377
CVVM1-6180/5DBY	1	4	28.86	5.43	3.82	5.83	386	30.55	5.43	5.51	5.83	3.66	4.17	392
CVVM1H-6180/5DBY	1.5	4	30.16	5.63	3.94	6.30	395	32.60	5.63	6.38	6.30	4.53	4.49	406
CVVM2-6180/5DBY	2	4	30.16	5.63	3.94	6.30	395	32.60	5.63	6.38	6.30	4.53	4.49	406
CVVM3-6180/5DBY	3	4	30.94	5.91	4.13	6.81	401	33.43	5.91	6.61	6.81	4.76	4.88	417
CVVM5-6180/5DBY	5	4	31.85	6.54	5.00	8.35	423	34.69	6.54	7.83	8.35	5.20	6.18	445
CVVM8-6180/5DBY	7.5	4	33.58	6.54	5.00	8.35	439	36.42	6.54	7.83	8.35	5.20	6.18	461
CVVM10-6180/5DBY	10	4	34.49	8.31	5.63	9.88	472	38.23	8.31	9.37	9.88	6.69	7.17	512
CVVM15-6180/5DBY	15	4	36.85	8.31	5.63	9.88	503	40.59	8.31	9.37	9.88	6.69	7.17	542
CVVM1-6190/5DAY	1	4	31.22	5.43	3.82	5.83	523	32.91	5.43	5.51	5.83	3.66	4.17	529
CVVM1H-6190/5DAY	1.5	4	32.52	5.63	3.94	6.30	531	34.96	5.63	6.38	6.30	4.53	4.49	542
CVVM2-6190/5DAY	2	4	32.52	5.63	3.94	6.30	531	34.96	5.63	6.38	6.30	4.53	4.49	542
CVVM3-6190/5DAY	3	4	33.31	5.91	4.13	6.81	540	35.79	5.91	6.61	6.81	4.76	4.88	556
CVVM5-6190/5DAY	5	4	34.21	6.54	5.00	8.35	562	37.05	6.54	7.83	8.35	5.20	6.18	584
CVVM8-6190/5DAY	7.5	4	35.94	6.54	5.00	8.35	578	38.78	6.54	7.83	8.35	5.20	6.18	600
CVVM5-6195DBY	5	4	34.84	6.54	5.00	8.35	578	37.68	6.54	7.83	8.35	5.20	6.18	600
CVVM8-6195DBY	7.5	4	36.57	6.54	5.00	8.35	593	39.41	6.54	7.83	8.35	5.20	6.18	615
CVVM10-6195DBY	10	4	37.48	8.31	5.63	9.88	626	41.22	8.31	9.37	9.88	6.69	7.17	666
CVVM15-6195DBY	15	4	39.84	8.31	5.63	9.88	657	43.58	8.31	9.37	9.88	6.69	7.17	697
CVVM20-6195DBY	20	4	43.39	9.13	11.61	12.76	772	46.93	9.13	15.16	12.76	8.66	-	845

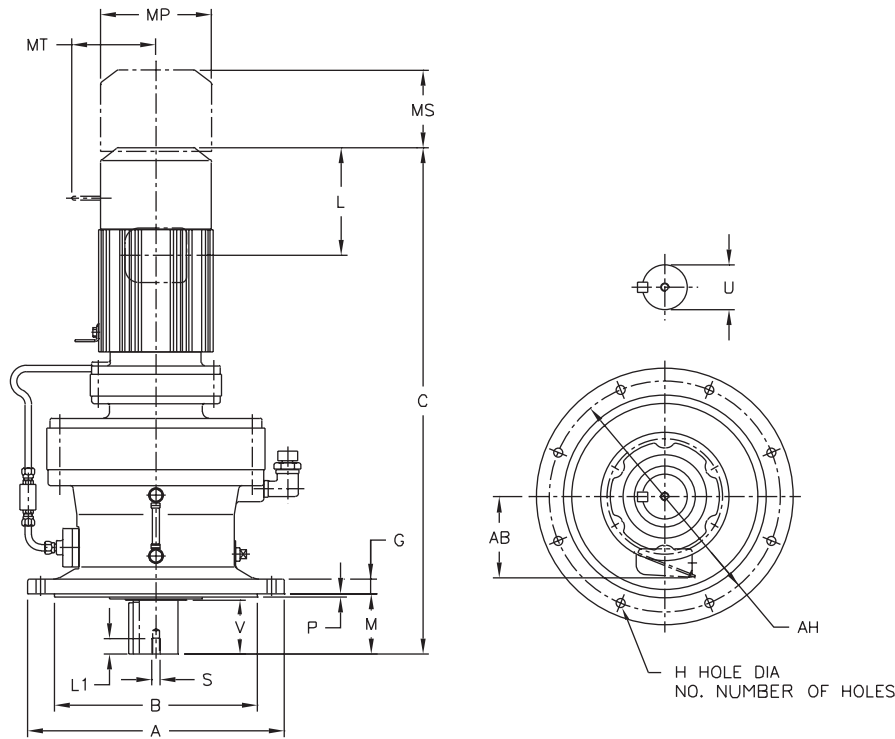
Gearmotors

Dimensions



Dimensions Integral Vertical V-Flange Mount

Double Reduction CVVM-6205DAY ▶ 6235DBY



All dimensions are in inches

Gearmotors

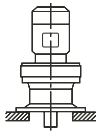
Dimensions

Model CVVM	A	B	G	H	NO.	M	P	AH
6205DAY	17.91	13.9739 13.9704	1.18	0.87	8	8.03	0.20	15.94
6205DBY	17.91	13.9739 13.9704	1.18	0.87	8	8.03	0.20	15.94
6215DAY	19.29	15.3519 15.3484	1.38	0.94	8	7.99	0.28	17.32
6215DBY	19.29	15.3519 15.3484	1.38	0.94	8	7.99	0.28	17.32
6225DAY	21.06	16.3359 16.3321	1.38	1.06	8	8.27	0.39	18.70
6225DBY	21.06	16.3359 16.3321	1.38	1.06	8	8.27	0.39	18.70
6235DAY	22.44	17.7139 17.7100	1.57	1.06	8	9.84	0.39	20.08
6235DBY	22.44	17.7139 17.7100	1.57	1.06	8	9.84	0.39	20.08

Model CVVM	U*	V	Low Speed Shaft		Key
			S	L1	
6205DAY	3.875	6.50	3/4-10UNC	1.34	1 X 1 X 6.50
6205DBY	3.875	6.50	3/4-10UNC	1.34	1 X 1 X 6.50
6215DAY	4.250	6.50	3/4-10UNC	1.34	1 X 1 X 6.50
6215DBY	4.250	6.50	3/4-10UNC	1.34	1 X 1 X 6.50
6225DAY	4.625	6.50	3/4-10UNC	1.34	1-1/4 X 7/8 X 6.5
6225DBY	4.625	6.50	3/4-10UNC	1.34	1-1/4 X 7/8 X 6.5
6235DAY	5.000	7.87	1-8UNC	1.61	1-1/4 X 7/8 X 7.87
6235DBY	5.000	7.87	1-8UNC	1.61	1-1/4 X 7/8 X 7.87

***Shaft Tolerances**

Shaft Nominal Diameter (inches)	Tolerances (inches)
2.000 (2) through 3.125 (3 1/8)	+0.0000/-0.0007
3.250 (3 1/4) through 4.625 (4 5/8)	+0.0000/-0.0009
4.750 (4 3/4) through 7.000 (7)	+0.0000/-0.0010



Dimensions Integral Vertical V-Flange Mount

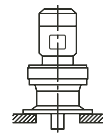
Double Reduction CVVM-6205DAY ▶ 6235DBY (cont.)

All dimensions are in inches

Model	Motor		Without Brake				Appx Wt (lb)	With Brake						Appx Wt (lb)
	HP	Pole	C	AB	L	MP		C	AB	L	MP	MS	MT	
CVVM1-6205DAY	1	4	32.83	5.43	3.82	5.83	558	34.53	5.43	5.51	5.83	3.66	4.17	564
CVVM2-6205DAY	2	4	34.13	5.63	3.94	6.30	567	36.57	5.63	6.38	6.30	4.53	4.49	578
CVVM3-6205DAY	3	4	34.92	5.91	4.13	6.81	576	37.36	5.91	6.61	6.81	4.76	4.88	591
CVVM5-6205DAY	5	4	35.83	6.54	5.00	8.35	598	38.66	6.54	7.83	8.35	5.20	6.18	620
CVVM8-6205DAY	7.5	4	37.56	6.54	5.00	8.35	613	40.39	6.54	7.83	8.35	5.20	6.18	635
CVVM3-6205DBY	3	4	35.98	5.91	4.13	6.81	602	38.46	5.91	6.61	6.81	4.76	4.88	617
CVVM5-6205DBY	5	4	36.89	6.54	5.00	8.35	624	39.72	6.54	7.83	8.35	5.20	6.18	662
CVVM8-6205DBY	7.5	4	38.62	6.54	5.00	8.35	639	41.46	6.54	7.83	8.35	5.20	6.18	712
CVVM10-6205DBY	10	4	39.53	8.31	5.63	9.88	673	43.27	8.31	9.37	9.88	6.69	7.17	763
CVVM15-6205DBY	15	4	41.89	8.31	5.63	9.88	703	45.63	8.31	9.37	9.88	6.69	7.17	794
CVVM20-6205DBY	20	4	45.43	9.13	11.61	12.76	818	48.58	9.13	15.16	12.76	8.66	-	942
CVVM2-6215DAY	2	4	36.22	5.63	3.94	6.30	728	38.66	5.63	6.38	6.30	4.53	4.49	739
CVVM3-6215DAY	3	4	37.01	5.91	4.13	6.81	734	39.49	5.91	6.61	6.81	4.76	4.88	750
CVVM5-6215DAY	5	4	37.91	6.54	5.00	8.35	756	40.75	6.54	7.83	8.35	5.20	6.18	778
CVVM8-6215DAY	7.5	4	39.65	6.54	5.00	8.35	772	42.48	6.54	7.83	8.35	5.20	6.18	794
CVVM10-6215DAY	10	4	40.55	8.31	5.63	9.88	805	44.29	8.31	9.37	9.88	6.69	7.17	845
CVVM15-6215DAY	15	4	42.91	8.31	5.63	9.88	836	46.65	8.31	9.37	9.88	6.69	7.17	875
CVVM20-6215DAY	20	4	46.46	9.13	11.61	12.76	950	50.00	9.13	15.16	12.76	8.66	-	1023
CVVM10-6215DBY	10	4	41.73	8.31	5.63	9.88	880	45.47	8.31	9.37	9.88	6.69	7.17	917
CVVM15-6215DBY	15	4	44.09	8.31	5.63	9.88	911	47.83	8.31	9.37	9.88	6.69	7.17	948
CVVM20-6215DBY	20	4	47.44	9.13	11.61	12.76	1028	50.98	9.13	15.16	12.76	8.66	-	1100
CVVM25-6215DBY	25	4	51.18	11.69	13.39	15.51	1186	59.45	11.69	21.65	15.51	14.45	-	1283
CVVM30-6215DBY	30	4	51.18	11.69	13.39	15.51	1186	59.45	11.69	21.65	15.51	14.45	-	1283
CVVM2-6225DAY	2	4	37.87	5.63	3.94	6.30	924	40.31	5.63	6.38	6.30	4.53	4.49	935
CVVM3-6225DAY	3	4	38.66	5.91	4.13	6.81	931	41.14	5.91	6.61	6.81	4.76	4.88	946
CVVM5-6225DAY	5	4	39.57	6.54	5.00	8.35	953	42.40	6.54	7.83	8.35	5.20	6.18	975
CVVM8-6225DAY	7.5	4	41.30	6.54	5.00	8.35	968	44.13	6.54	7.83	8.35	5.20	6.18	990
CVVM10-6225DAY	10	4	42.20	8.31	5.63	9.88	1001	45.94	8.31	9.37	9.88	6.69	7.17	1041
CVVM15-6225DAY	15	4	44.57	8.31	5.63	9.88	1032	48.31	8.31	9.37	9.88	6.69	7.17	1069
CVVM20-6225DAY	20	4	48.11	9.13	11.61	12.76	1147	51.65	9.13	15.16	12.76	8.66	-	1217
CVVM10-6225DBY	10	4	44.29	8.31	5.63	9.88	1103	48.03	8.31	9.37	9.88	6.69	7.17	1142
CVVM15-6225DBY	15	4	46.65	8.31	5.63	9.88	1133	50.39	8.31	9.37	9.88	6.69	7.17	1173
CVVM20-6225DBY	20	4	49.80	9.13	11.61	12.76	1252	53.35	9.13	15.16	12.76	8.66	-	1325
CVVM25-6225DBY	25	4	53.54	11.69	13.39	15.51	1446	61.81	11.69	21.65	15.51	14.45	-	1499
CVVM30-6225DBY	30	4	53.54	11.69	13.39	15.51	1446	61.81	11.69	21.65	15.51	14.45	-	1499
CVVM40-6225DBY	40	4	53.54	11.69	13.39	15.51	1484	61.81	11.69	21.65	15.51	14.57	-	1579
CVVM3-6235DAY	3	4	42.09	5.91	4.13	6.81	1151	44.53	5.91	6.61	6.81	4.76	4.88	1164
CVVM5-6235DAY	5	4	42.95	6.54	5.00	8.35	1171	45.79	6.54	7.83	8.35	5.20	6.18	1193
CVVM8-6235DAY	7.5	4	44.69	6.54	5.00	8.35	1186	47.52	6.54	7.83	8.35	5.20	6.18	1208
CVVM10-6235DAY	10	4	45.79	8.31	5.63	9.88	1222	49.53	8.31	9.37	9.88	6.69	7.17	1259
CVVM15-6235DAY	15	4	48.15	8.31	5.63	9.88	1252	51.89	8.31	9.37	9.88	6.69	7.17	1290
CVVM20-6235DAY	20	4	51.54	9.13	11.61	12.76	1369	55.04	9.13	15.16	12.76	8.66	-	1442
CVVM25-6235DAY	25	4	55.24	11.69	13.39	15.51	1528	63.50	11.69	21.65	15.51	14.45	-	1625
CVVM30-6235DAY	30	4	55.24	11.69	13.39	15.51	1528	63.50	11.69	21.65	15.51	14.45	-	1625
CVVM40-6235DBY	40	4	56.10	11.69	13.39	15.51	1629	64.37	11.69	21.65	15.51	14.57	-	1724
CVVM50-6235DBY	50	4	60.63	11.69	16.93	15.51	1735	69.09	11.69	25.39	15.51	17.52	-	1949

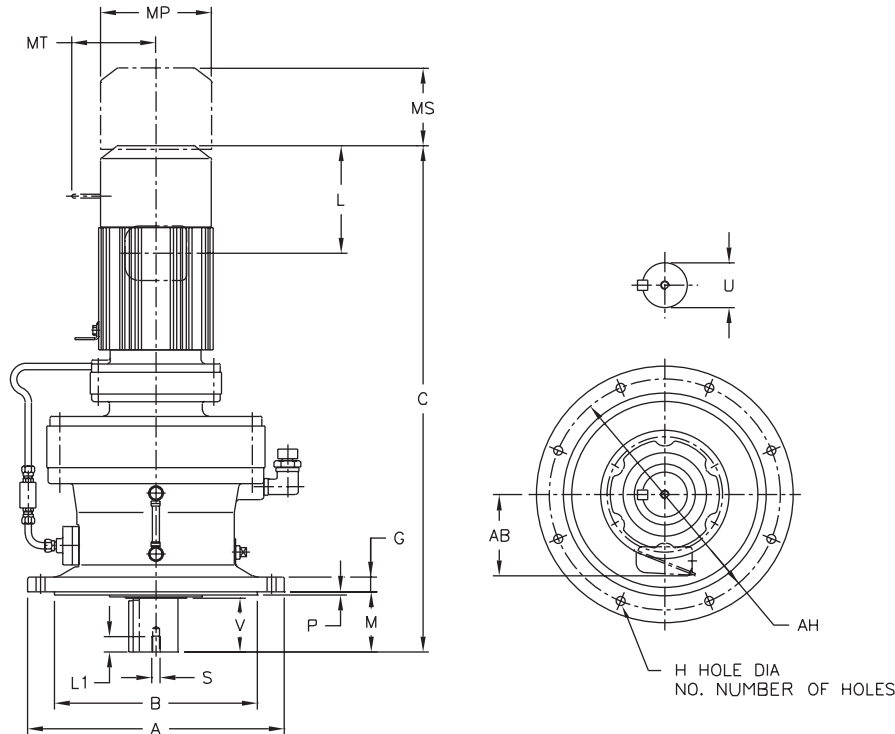
Gearmotors

Dimensions



Dimensions Integral Vertical V-Flange Mount

Double Reduction CVVM-6245DAY ▶ 6275DAY



Gearmotors

Dimensions

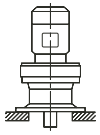
All dimensions are in inches

Model CVVM	A	B	G	H	NO.	M	P	AH
6245DBY	25.00	19.0918 19.0880	1.57	1.30	8	9.84	0.39	22.05
6255DAY	26.97	21.0600 21.0557	1.77	1.30	8	11.61	0.39	24.02
6255DBY	26.97	21.0600 21.0557	1.77	1.30	8	11.61	0.39	24.02
6265DAY	29.53	22.4380 22.4336	1.97	1.54	8	14.17	0.39	25.98
6275DAY	45.67	35.4297 35.4242	2.36	1.54	8	13.98	0.39	40.16

Model CVVM	Low Speed Shaft				Key
	U*	V	S	L1	
6245DBY	5.500	7.87	1-8UNC	1.61	1-1/4 X 7/8 X 7.87
6255DAY	6.250	9.45	1-1/4-7UNC	1.93	1-1/2 X 1 X 9.45
6255DBY	6.250	9.45	1-1/4-7UNC	1.93	1-1/2 X 1 X 9.45
6265DAY	6.625	11.81	1-1/4-7UNC	1.93	1-3/4 X 1-1/4 X 11.8
6275DAY	7.000	12.60	1-1/4-7UNC	2.05	1-3/4 X 1-1/4 X 13

***Shaft Tolerances**

Shaft Nominal Diameter (inches)	Tolerances (inches)
2.000 (2) through 3.125 (3 1/8)	+0.0000/-0.0007
3.250 (3 1/4) through 4.625 (4 5/8)	+0.0000/-0.0009
4.750 (4 3/4) through 7.000 (7)	+0.0000/-0.0010



Dimensions Integral Vertical V-Flange Mount

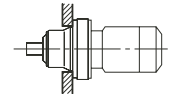
Double Reduction CVVM-6245DAY ▶ 6275DAY (cont.)

All dimensions are in inches

Model	Motor		C	Without Brake			Appx Wt (lb)	C	AB	With Brake			MS	MT	Appx Wt (lb)
	HP	Pole		AB	L	MP				L	MP				
CVVM3-6245DAY	3	4	43.54	5.91	4.13	6.81	1358	46.02	5.91	6.61	6.81	4.76	4.88	1372	
CVVM5-6245DAY	5	4	44.45	6.54	5.00	8.35	1378	47.28	6.54	7.83	8.35	5.20	6.18	1400	
CVVM8-6245DAY	7.5	4	46.18	6.54	5.00	8.35	1394	49.02	6.54	7.83	8.35	5.20	6.18	1416	
CVVM10-6245DAY	10	4	47.28	8.31	5.63	9.88	1429	51.02	8.31	9.37	9.88	6.69	7.17	1466	
CVVM15-6245DAY	15	4	49.65	8.31	5.63	9.88	1460	53.39	8.31	9.37	9.88	6.69	7.17	1497	
CVVM20-6245DAY	20	4	52.99	9.13	11.61	12.76	1577	56.54	9.13	15.16	12.76	8.66	-	1649	
CVVM25-6245DAY	25	4	56.73	11.69	13.39	15.51	1735	65.00	11.69	21.65	15.51	14.45	-	1852	
CVVM30-6245DAY	30	4	56.73	11.69	13.39	15.51	1735	65.00	11.69	21.65	15.51	14.45	-	1852	
CVVM20-6245DBY	20	4	53.82	9.13	11.61	12.76	1652	57.36	9.13	15.16	12.76	8.66	-	1713	
CVVM30-6245DBY	30	4	57.56	11.69	13.39	15.51	1788	65.83	11.69	21.65	15.51	14.45	-	1901	
CVVM40-6245DBY	40	4	57.56	11.69	13.39	15.51	1826	65.83	11.69	21.65	15.51	14.57	-	1921	
CVVM50-6245DBY	50	4	62.09	11.69	16.93	15.51	1932	70.55	11.69	25.39	15.51	17.52	-	2145	
CVVM5-6255DAY	5	4	50.55	6.54	5.00	8.35	2086	53.39	6.54	7.83	8.35	5.20	6.18	2108	
CVVM8-6255DAY	7.5	4	52.28	6.54	5.00	8.35	2101	55.12	6.54	7.83	8.35	5.20	6.18	2123	
CVVM10-6255DAY	10	4	52.99	8.31	5.63	9.88	2134	56.73	8.31	9.37	9.88	6.69	7.17	2168	
CVVM15-6255DAY	15	4	55.35	8.31	5.63	9.88	2165	59.09	8.31	9.37	9.88	6.69	7.17	2198	
CVVM20-6255DAY	20	4	58.50	9.13	11.61	12.76	2293	62.05	9.13	15.16	12.76	8.66	-	2370	
CVVM25-6255DAY	25	4	62.24	11.69	13.39	15.51	2437	70.51	11.69	21.65	15.51	14.45	-	2549	
CVVM30-6255DAY	30	4	62.24	11.69	13.39	15.51	2437	70.51	11.69	21.65	15.51	14.45	-	2549	
CVVM40-6255DAY	40	4	62.24	11.69	13.39	15.51	2478	70.51	11.69	21.65	15.51	14.57	-	2573	
CVVM25-6255DBY	25	4	63.11	11.69	13.39	15.51	2602	71.38	11.69	21.65	15.51	14.45	-	2714	
CVVM30-6255DBY	30	4	63.11	11.69	13.39	15.51	2602	71.38	11.69	21.65	15.51	14.45	-	2714	
CVVM40-6255DBY	40	4	63.11	11.69	13.39	15.51	2635	71.38	11.69	21.65	15.51	14.57	-	2730	
CVVM50-6255DBY	50	4	67.64	11.69	16.93	15.51	2719	75.91	11.69	25.39	15.51	17.52	-	2933	
CVVM60-6255DBY	60	4	67.64	11.69	16.93	15.51	2719	75.91	11.69	25.39	15.51	17.52	-	2933	
CVVM8-6265DAY	7.5	4	58.27	6.54	5.00	8.35	2855	61.10	6.54	7.83	8.35	5.20	6.18	2878	
CVVM10-6265DAY	10	4	58.78	8.31	5.63	9.88	2884	62.52	8.31	9.37	9.88	6.69	7.17	2928	
CVVM15-6265DAY	15	4	61.14	8.31	5.63	9.88	2922	64.88	8.31	9.37	9.88	6.69	7.17	2955	
CVVM20-6265DAY	20	4	63.70	9.13	11.61	12.76	3032	67.24	9.13	15.16	12.76	8.66	-	3109	
CVVM25-6265DAY	25	4	67.44	11.69	13.39	15.51	3197	75.71	11.69	21.65	15.51	14.45	-	3296	
CVVM30-6265DAY	30	4	67.44	11.69	13.39	15.51	3197	75.71	11.69	21.65	15.51	14.45	-	3296	
CVVM40-6265DAY	40	4	67.44	11.69	13.39	15.51	3230	75.71	11.69	21.65	15.51	14.57	-	3325	
CVVM50-6265DAY	50	4	71.97	11.69	16.93	15.51	3308	80.43	11.69	25.39	15.51	17.52	-	3513	
CVVM60-6265DAY	60	4	71.97	11.69	16.93	15.51	3308	80.43	11.69	25.39	15.51	17.52	-	3513	
CVVM10-6275DAY	10	4	69.06	8.31	5.63	9.88	5938	72.80	8.31	9.37	9.88	6.69	7.17	5982	
CVVM15-6275DAY	15	4	71.42	8.31	5.63	9.88	5969	75.16	8.31	9.37	9.88	6.69	7.17	6002	
CVVM20-6275DAY	20	4	73.98	9.13	11.61	12.76	6086	77.52	9.13	15.16	12.76	8.66	-	6163	
CVVM25-6275DAY	25	4	77.72	11.69	13.39	15.51	6251	85.98	11.69	21.65	15.51	14.45	-	6350	
CVVM30-6275DAY	30	4	77.72	11.69	13.39	15.51	6251	85.98	11.69	21.65	15.51	14.45	-	6350	
CVVM40-6275DAY	40	4	77.72	11.69	13.39	15.51	6284	85.98	11.69	21.65	15.51	14.57	-	6379	
CVVM50-6275DAY	50	4	82.24	11.69	16.93	15.51	6361	90.71	11.69	25.39	15.51	17.52	-	6566	
CVVM60-6275DAY	60	4	82.24	11.69	16.93	15.51	6361	90.71	11.69	25.39	15.51	17.52	-	6566	

Gearmotors

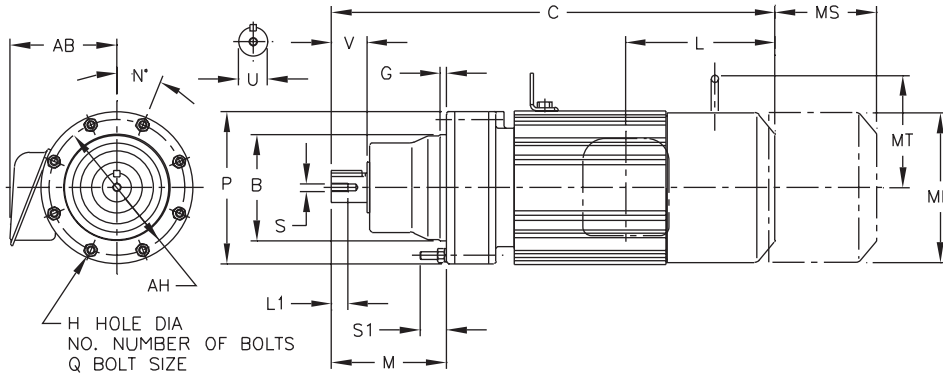
Dimensions



Dimensions Integral F-Flange Mount

Single Reduction

CNFM-6060/5Y ▶ 6120/5Y



All dimensions are in inches

Model CNFM	B	G	H	NO.	M	N	P	Q	S1	AH
6060/5Y	3.1492	0.16	0.26	6	2.68	60	4.33	M6	0.83	3.86
	3.1485									
6070/5Y	3.1492	0.16	0.26	6	2.91	60	4.33	M6	0.83	3.86
	3.1485									
6080/5Y	3.7397	0.20	0.35	8	3.58	22.5	5.28	M8	1.06	4.65
	3.7388									
6090/5Y	4.1334	0.24	0.35	8	4.49	22.5	5.91	M8	1.14	5.28
	4.1325									
6100/5Y	4.1334	0.24	0.35	8	4.49	22.5	5.91	M8	1.10	5.28
	4.1325									
6110/5Y	4.5271	0.24	0.35	8	4.65	22.5	6.38	M8	1.02	5.75
	4.5262									
6120/5Y	5.5113	0.55	0.43	6	5.47	60	8.03	M10	1.30	7.09
	5.5103									

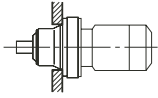
Gearmotors

Dimensions

***Shaft Tolerances**

Shaft Nominal Diameter (inches)	Tolerances (inches)
0.500 (1/2) through 0.625 (5/8)	+0.0000/-0.0004
0.750 (3/4) through 1.125 (1 1/8)	+0.0000/-0.0005
1.250 (1 1/4) through 1.875 (1 7/8)	+0.0000/-0.0006

Model CNFM	U*	V	Low Speed Shaft		Key
			S	L1	
6060/5Y	0.500	0.98	10-32UNF	0.63	1/8 X 1/8 X .79
6070/5Y	0.750	1.18	12-28UNF	0.63	3/16 X 3/16 X 1.06
6080/5Y	0.875	1.38	12-28UNF	0.63	3/16 X 3/16 X 1.18
6090/5Y	1.125	1.38	5/16-18UNC	0.79	1/4 X 1/4 X 1.18
6100/5Y	1.125	1.38	5/16-18UNC	0.79	1/4 X 1/4 X 1.18
6110/5Y	1.250	1.77	5/16-18UNC	0.79	1/4 X 1/4 X 1.46
6120/5Y	1.500	2.17	5/16-18UNC	0.79	3/8 X 3/8 X 1.77



Dimensions Integral F-Flange Mount

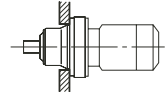
Single Reduction CNFM-6060/5Y ▶ 6120/5Y (cont.)

All dimensions are in inches

Model	Motor		C	Without Brake			Appx Wt (lb)	With Brake						Appx Wt (lb)
	HP	Pole		AB	L	MP		C	AB	L	MP	MS	MT	
CNFM01-6060/5Y	1/8	4	8.90	5.04	1.38	4.69	12	10.28	5.04	2.76	4.88	1.93	-	15
CNFM02-6060/5Y	1/4	4	10.55	5.04	2.32	4.88	14	11.81	5.04	3.58	4.88	2.40	-	18
CNFM03-6060/5Y	1/3	4	10.55	5.04	2.32	4.88	14	11.81	5.04	3.58	4.88	2.40	-	18
CNFM01-6070/5Y	1/8	4	9.13	5.04	1.38	4.69	14	10.51	5.04	2.76	4.88	1.93	-	17
CNFM02-6070/5Y	1/4	4	10.79	5.04	2.32	4.88	17	12.05	5.04	3.58	4.88	2.40	-	19
CNFM03-6070/5Y	1/3	4	10.79	5.04	2.32	4.88	17	12.05	5.04	3.58	4.88	2.40	-	19
CNFM05-6070/5Y	1/2	4	11.57	5.04	2.32	4.88	19	12.83	5.04	3.58	4.88	2.40	-	21
CNFM01-6080/5Y	1/8	4	10.16	5.04	1.38	4.69	20	11.54	5.04	2.76	4.88	1.93	-	22
CNFM02-6080/5Y	1/4	4	11.81	5.04	2.32	4.88	22	13.07	5.04	3.58	4.88	2.40	-	24
CNFM03-6080/5Y	1/3	4	11.81	5.04	2.32	4.88	22	13.07	5.04	3.58	4.88	2.40	-	24
CNFM05-6080/5Y	1/2	4	12.60	5.04	2.32	4.88	26	13.86	5.04	3.58	4.88	2.40	-	29
CNFM08-6080/5Y	3/4	4	14.21	5.43	3.82	5.83	35	15.91	5.43	5.51	5.83	3.66	4.17	37
CNFM1-6080/5Y	1	4	14.21	5.43	3.82	5.83	35	15.91	5.43	5.51	5.83	3.66	4.17	37
CNFM01-6090/5Y	1/8	4	10.87	5.04	1.38	4.69	22	12.24	5.04	2.76	4.88	1.93	-	26
CNFM02-6090/5Y	1/4	4	12.52	5.04	2.32	4.88	24	13.78	5.04	3.58	4.88	2.40	-	29
CNFM03-6090/5Y	1/3	4	12.52	5.04	2.32	4.88	24	13.78	5.04	3.58	4.88	2.40	-	29
CNFM05-6090/5Y	1/2	4	13.31	5.04	2.32	4.88	26	14.57	5.04	3.58	4.88	2.40	-	31
CNFM08-6090/5Y	3/4	4	14.92	5.43	3.82	5.83	35	16.61	5.43	5.51	5.83	3.66	4.17	40
CNFM1-6090/5Y	1	4	14.92	5.43	3.82	5.83	35	16.61	5.43	5.51	5.83	3.66	4.17	40
CNFM1H-6090/5Y	1.5	4	16.22	5.63	3.94	6.30	44	18.66	5.63	6.38	6.30	4.53	4.49	53
CNFM2-6090/5Y	2	4	16.22	5.63	3.94	6.30	44	18.66	5.63	6.38	6.30	4.53	4.49	53
CNFM02-6100/5Y	1/4	4	13.07	5.04	2.32	4.88	29	14.33	5.04	3.58	4.88	2.40	-	33
CNFM03-6100/5Y	1/3	4	13.07	5.04	2.32	4.88	29	14.33	5.04	3.58	4.88	2.40	-	33
CNFM05-6100/5Y	1/2	4	13.86	5.04	2.32	4.88	31	15.12	5.04	3.58	4.88	2.40	-	35
CNFM08-6100/5Y	3/4	4	15.47	5.43	3.82	5.83	40	17.17	5.43	5.51	5.83	3.66	4.17	46
CNFM1-6100/5Y	1	4	15.47	5.43	3.82	5.83	40	17.17	5.43	5.51	5.83	3.66	4.17	46
CNFM1H-6100/5Y	1.5	4	16.77	5.63	3.94	6.30	49	19.21	5.63	6.38	6.30	4.53	4.49	60
CNFM2-6100/5Y	2	4	16.77	5.63	3.94	6.30	49	19.21	5.63	6.38	6.30	4.53	4.49	60
CNFM3-6100/5Y	3	4	17.56	5.91	4.13	6.81	57	20.04	5.91	6.61	6.81	4.76	4.88	71
CNFM05-6110/5Y	1/2	4	14.29	3.35	2.32	4.88	36	15.51	3.35	3.58	4.88	2.40	-	38
CNFM08-6110/5Y	3/4	4	15.87	4.49	3.82	5.83	40	17.80	4.49	5.51	5.83	3.66	4.17	49
CNFM1-6110/5Y	1	4	15.87	4.49	3.82	5.83	42	17.80	4.49	5.51	5.83	3.66	4.17	49
CNFM1H-6110/5Y	1.5	4	17.17	4.69	3.94	6.30	49	19.41	4.69	6.38	6.30	4.53	4.49	60
CNFM2-6110/5Y	2	4	17.17	4.69	3.94	6.30	49	19.41	4.69	6.38	6.30	4.53	4.49	60
CNFM3-6110/5Y	3	4	17.95	4.96	4.13	6.81	58	20.43	4.96	6.61	6.81	4.76	4.88	71
CNFM5-6110/5Y	5	4	19.33	5.79	5.00	8.35	80	22.17	5.79	7.83	8.35	5.20	6.18	102
CNFM08-6120/5Y	3/4	4	16.65	5.43	3.82	5.83	60	18.35	5.43	5.51	5.83	3.66	4.17	66
CNFM1-6120/5Y	1	4	16.65	5.43	3.82	5.83	60	18.35	5.43	5.51	5.83	3.66	4.17	66
CNFM1H-6120/5Y	1.5	4	17.95	5.63	3.94	6.30	68	20.39	5.63	6.38	6.30	4.53	4.49	79
CNFM2-6120/5Y	2	4	17.95	5.63	3.94	6.30	68	20.39	5.63	6.38	6.30	4.53	4.49	79
CNFM3-6120/5Y	3	4	18.74	5.91	4.13	6.81	77	21.22	5.91	6.61	6.81	4.76	4.88	93
CNFM5-6120/5Y	5	4	19.65	6.54	5.00	8.35	99	22.48	6.54	7.83	8.35	5.20	6.18	121
CNFM8-6120/5Y	7.5	4	21.38	6.54	5.00	8.35	115	24.21	6.54	7.83	8.35	5.20	6.18	137

Gearmotors

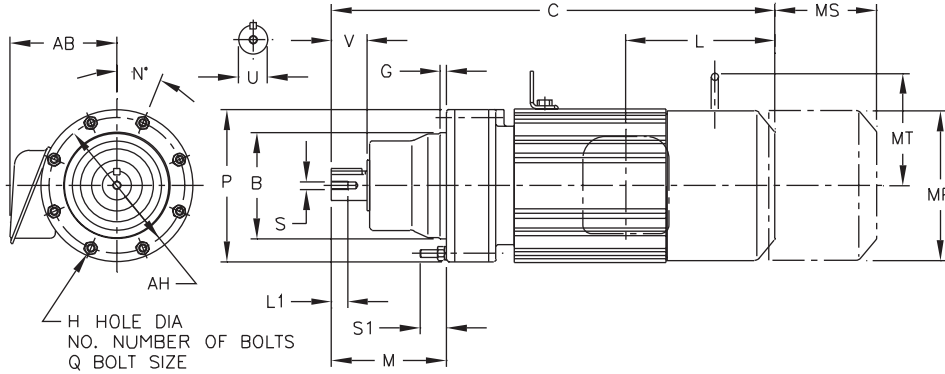
Dimensions



Dimensions Integral F-Flange Mount

Single Reduction

CHFM-6130/5Y ▶ 6160/5Y



All dimensions are in inches

Model CHFM	B	G	H	NO.	M	N	O	P	Q	S1	AH	X
6130/5Y	6.4955	0.63	0.43	6	7.01	60	5.91	9.06	M10	1.22	8.07	8.19
	6.4945											
6140/5Y	6.4955	0.63	0.43	6	7.80	60	5.91	9.06	M10	1.22	8.07	8.19
	6.4945											
6160/5Y	7.8734	0.39	0.55	6	8.74	30	7.44	11.81	M12	1.38	10.63	8.98
	7.8723											

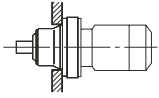
Gearmotors

Dimensions

***Shaft Tolerances**

Shaft Nominal Diameter (inches)	Tolerances (inches)
1.250 (1 1/4) through 1.875 (1 7/8)	+0.0000/-0.0006
2.000 (2) through 3.125 (3 1/8)	+0.0000/-0.0007

Model CHFM	Low Speed Shaft				
	U*	V	S	L1	Key
6130/5Y	1.875	2.76	0.71	3/8-16UNC	1/2 X 1/2 X 2.16
6140/5Y	1.875	3.54	0.71	3/8-16UNC	1/2 X 1/2 X 2.95
6160/5Y	2.250	3.54	0.71	3/8-16UNC	1/2 X 1/2 X 2.95



Dimensions Integral F-Flange Mount

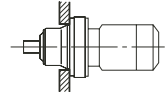
Single Reduction CHFM-6130/5Y ▶ 6160/5Y (cont.)

All dimensions are in inches

Model	Motor		C	Without Brake			Appx Wt (lb)	C	AB	With Brake			MS	MT	Appx Wt (lb)
	HP	Pole		AB	L	MP				L	MP				
CHFM1-6130/5Y	1	4	18.78	5.43	3.82	5.83	95	20.47	5.43	5.51	5.83	3.66	4.17	106	
CHFM1H-6130/5Y	1.5	4	20.08	5.63	3.94	6.30	104	22.52	5.63	6.38	6.30	4.53	4.49	115	
CHFM2-6130/5Y	2	4	20.08	5.63	3.94	6.30	104	22.52	5.63	6.38	6.30	4.53	4.49	115	
CHFM3-6130/5Y	3	4	20.87	5.91	4.13	6.81	110	23.35	5.91	6.61	6.81	4.76	4.88	126	
CHFM5-6130/5Y	5	4	21.77	6.54	5.00	8.35	132	24.61	6.54	7.83	8.35	5.20	6.18	154	
CHFM8-6130/5Y	7.5	4	23.50	6.54	5.00	8.35	148	26.34	6.54	7.83	8.35	5.20	6.18	170	
CHFM10-6130/5Y	10	4	24.41	8.31	5.63	9.88	181	28.15	8.31	9.37	9.88	6.69	7.17	221	
CHFM15-6130/5Y	15	4	26.77	8.31	5.63	9.88	212	30.51	8.31	9.37	9.88	6.69	7.17	251	
CHFM1H-6140/5Y	1.5	4	20.87	5.63	3.94	6.30	106	23.31	5.63	6.38	6.30	4.53	4.49	117	
CHFM2-6140/5Y	2	4	20.87	5.63	3.94	6.30	106	23.31	5.63	6.38	6.30	4.53	4.49	117	
CHFM3-6140/5Y	3	4	21.65	5.91	4.13	6.81	112	24.13	5.91	6.61	6.81	4.76	4.88	128	
CHFM5-6140/5Y	5	4	22.56	6.54	5.00	8.35	135	25.39	6.54	7.83	8.35	5.20	6.18	157	
CHFM8-6140/5Y	7.5	4	24.29	6.54	5.00	8.35	150	27.13	6.54	7.83	8.35	5.20	6.18	172	
CHFM10-6140/5Y	10	4	25.20	8.31	5.63	9.88	183	28.94	8.31	9.37	9.88	6.69	7.17	223	
CHFM15-6140/5Y	15	4	27.56	8.31	5.63	9.88	214	31.30	8.31	9.37	9.88	6.69	7.17	254	
CHFM20-6140/5Y	20	4	31.10	9.13	11.61	12.76	329	34.65	9.13	15.16	12.76	8.66	-	401	
CHFM2-6160/5Y	2	4	22.95	5.63	3.94	6.30	165	25.39	5.63	6.38	6.30	4.53	4.49	176	
CHFM3-6160/5Y	3	4	23.54	5.91	4.13	6.81	172	26.02	5.91	6.61	6.81	4.76	4.88	185	
CHFM5-6160/5Y	5	4	24.45	6.54	5.00	8.35	192	27.28	6.54	7.83	8.35	5.20	6.18	214	
CHFM8-6160/5Y	7.5	4	26.18	6.54	5.00	8.35	207	29.02	6.54	7.83	8.35	5.20	6.18	229	
CHFM10-6160/5Y	10	4	27.28	8.31	5.63	9.88	243	31.02	8.31	9.37	9.88	6.69	7.17	280	
CHFM15-6160/5Y	15	4	29.65	8.31	5.63	9.88	273	33.39	8.31	9.37	9.88	6.69	7.17	311	
CHFM20-6160/5Y	20	4	32.99	9.13	11.61	12.76	390	36.54	9.13	15.16	12.76	8.66	-	463	
CHFM25-6160/5Y	25	4	36.73	11.69	13.39	15.51	549	45.00	11.69	21.65	15.51	14.45	-	662	
CHFM30-6160/5Y	30	4	36.73	11.69	13.39	15.51	549	45.00	11.69	21.65	15.51	14.45	-	662	

Gearmotors

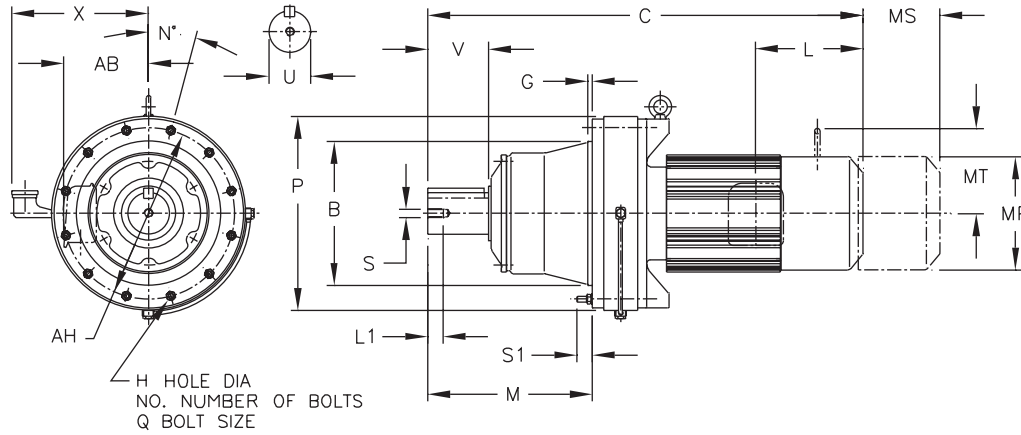
Dimensions



Dimensions Integral F-Flange Mount

Single Reduction

CHFM-6170/5Y ▶ 6190/5Y



All dimensions are in inches

Model CHFM	B	G	H	NO.	M	N	O	P	Q	S1	AH	X
6170/5Y	9.8419 9.8408	0.47	0.55	8	10.31	22.5	8.50	13.39	M12	1.61	11.81	9.57
6180/5Y	11.0230 11.0217	0.47	0.55	8	11.77	22.5	9.09	14.57	M12	1.50	12.99	10.16
6190/5Y	12.5977 12.5963	0.39	0.55	12	14.37	15	11.06	16.93	M12	1.61	14.96	11.22

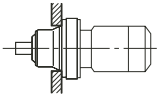
Gearmotors

Dimensions

Model CHFM	U*	V	Low Speed Shaft			Key
			S	L1		
6170/5Y	2.750	3.54	0.94	1/2-13UNC	5/8 X 5/8 X 3.15	
6180/5Y	3.125	4.33	0.94	1/2-13UNC	3/4 X 3/4 X 3.74	
6190/5Y	3.625	5.31	1.34	3/4-10UNC	7/8 X 7/8 X 4.92	

***Shaft Tolerances**

Shaft Nominal Diameter (inches)	Tolerances (inches)
2.000 (2) through 3.125 (3 1/8)	+0.0000/-0.0007
3.250 (3 1/4) through 4.625 (4 5/8)	+0.0000/-0.0009



Dimensions Integral F-Flange Mount

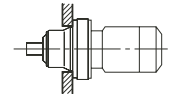
Single Reduction CHFM-6170/5Y ▶ 6190/5Y (cont.)

All dimensions are in inches

Model	Motor		C	Without Brake			Appx Wt (lb)	With Brake						Appx Wt (lb)
	HP	Pole		AB	L	MP		C	AB	L	MP	MS	MT	
CHFM5-6170/5Y	5	4	26.77	6.54	5.00	8.35	260	29.61	6.69	7.83	8.35	5.20	6.18	282
CHFM8-6170/5Y	7.5	4	28.50	6.54	5.00	8.35	276	31.34	6.69	7.83	8.35	5.20	6.18	298
CHFM10-6170/5Y	10	4	29.21	8.31	5.63	9.88	309	32.95	7.40	9.37	9.88	6.69	7.17	348
CHFM15-6170/5Y	15	4	31.57	8.31	5.63	9.88	340	35.31	7.40	9.37	9.88	6.69	7.17	379
CHFM20-6170/5Y	20	4	34.72	9.13	11.61	12.76	459	38.27	9.13	15.16	12.76	8.66	-	531
CHFM25-6170/5Y	25	4	38.46	11.69	13.39	15.51	609	46.73	11.69	21.65	15.51	14.45	-	721
CHFM30-6170/5Y	30	4	38.46	11.69	13.39	15.51	609	46.73	11.69	21.65	15.51	14.45	-	721
CHFM40-6170/5Y	40	4	38.46	11.69	13.39	15.51	646	46.73	11.69	21.65	15.51	14.45	-	741
CHFM5-6180/5Y	5	4	28.23	6.54	5.00	8.35	326	31.06	6.69	7.83	8.35	5.20	6.18	348
CHFM8-6180/5Y	7.5	4	29.96	6.54	5.00	8.35	344	32.80	6.69	7.83	8.35	5.20	6.18	366
CHFM10-6180/5Y	10	4	30.67	8.31	5.63	9.88	377	34.41	7.40	9.37	9.88	6.69	7.17	417
CHFM15-6180/5Y	15	4	33.03	8.31	5.63	9.88	408	36.77	7.40	9.37	9.88	6.69	7.17	448
CHFM20-6180/5Y	20	4	36.18	9.13	11.61	12.76	540	39.72	9.13	15.16	12.76	8.66	-	602
CHFM25-6180/5Y	25	4	39.92	11.69	13.39	15.51	677	48.19	11.69	21.65	15.51	14.45	-	789
CHFM30-6180/5Y	30	4	39.92	11.69	13.39	15.51	677	48.19	11.69	21.65	15.51	14.45	-	789
CHFM40-6180/5Y	40	4	39.92	11.69	13.39	15.51	714	48.19	11.69	21.65	15.51	14.45	-	809
CHFM50-6180/5Y	50	4	44.45	11.69	16.93	15.51	820	52.91	11.69	25.39	15.51	17.52	-	1034
CHFM60-6180/5Y	60	4	44.45	11.69	16.93	15.51	820	52.91	11.69	25.39	15.51	17.52	-	1034
CHFM8-6190/5Y	7.5	4	33.74	6.54	5.00	8.35	476	36.57	6.69	7.83	8.35	5.20	6.18	498
CHFM10-6190/5Y	10	4	34.25	8.31	5.63	9.88	505	37.99	7.40	9.37	9.88	6.69	7.17	545
CHFM15-6190/5Y	15	4	36.61	8.31	5.63	9.88	536	40.35	7.40	9.37	9.88	6.69	7.17	576
CHFM20-6190/5Y	20	4	39.17	9.13	11.61	12.76	653	42.72	9.13	15.16	12.76	8.66	-	728
CHFM25-6190/5Y	25	4	42.91	11.69	13.39	15.51	811	51.18	11.69	21.65	15.51	14.45	-	911
CHFM256-6190/5Y	25	6	42.91	11.69	13.39	15.51	845	51.18	11.69	21.65	15.51	14.45	-	939
CHFM30-6190/5Y	30	4	42.91	11.69	13.39	15.51	811	51.18	11.69	21.65	15.51	14.45	-	911
CHFM40-6190/5Y	40	4	42.91	11.69	13.39	15.51	845	51.18	11.69	21.65	15.51	14.45	-	939
CHFM406-6190/5Y	40	6	47.44	11.69	16.93	15.51	928	55.91	11.69	25.39	15.51	5.20	-	1142
CHFM50-6190/5Y	50	4	47.44	11.69	16.93	15.51	928	55.91	11.69	25.39	15.51	17.52	-	1142
CHFM506-6190/5Y	50	6	47.44	11.69	16.93	15.51	928	55.91	11.69	25.39	15.51	17.52	-	1142
CHFM60-6190/5Y	60	4	47.44	11.69	16.93	15.51	928	55.91	11.69	25.39	15.51	17.52	-	1142

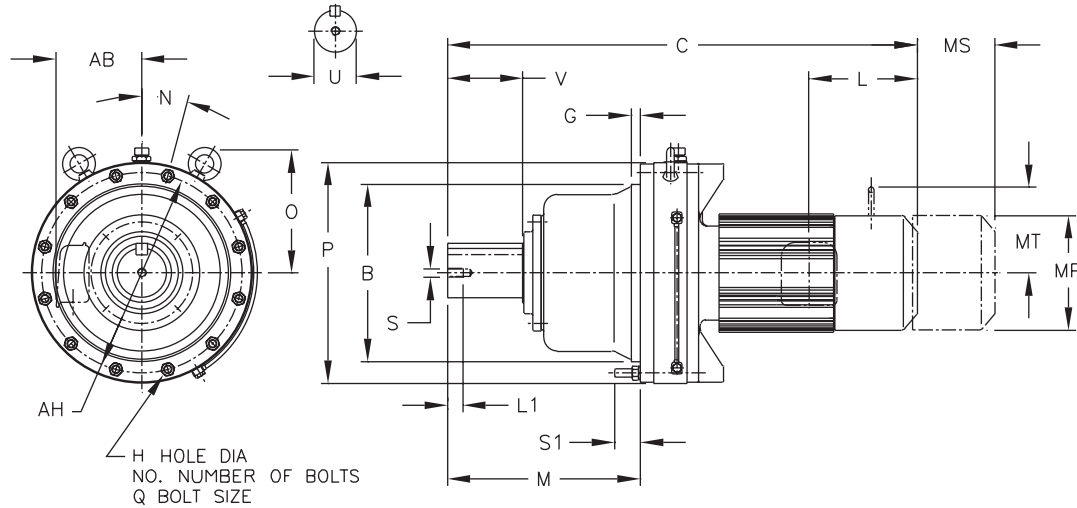
Gearmotors

Dimensions



Dimensions Integral F-Flange Mount

Single Reduction CHFM-6205Y ▶ 6245Y



All dimensions are in inches

Model CHFM	B	G	H	NO.	M	N	O	P	Q	S1	AH
6205Y	14.1725	0.79	0.71	12	16.14	15	11.14	17.64	M16	2.20	15.94
	14.1711										
6215Y	15.3536	0.79	0.81	12	16.65	15	12.28	19.09	M18	2.20	17.32
	15.3522										
6225Y	16.5346	0.79	0.87	12	17.87	15	13.11	20.71	M20	2.52	18.70
	16.5331										
6235Y	17.9126	0.79	0.87	12	19.88	15	13.82	22.13	M20	2.56	20.08
	17.9110										
6245Y	19.6843	0.98	1.06	12	20.83	15	15.55	24.17	M24	2.56	22.05
	19.6827										

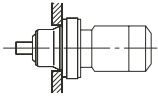
Gearmotors

Dimensions

***Shaft Tolerances**

Shaft Nominal Diameter (inches)	Tolerances (inches)
3.250 (3 1/4) through 4.625 (4 5/8)	+0.0000/-0.0009
4.750 (4 3/4) through 7.000 (7)	+0.0000/-0.0010

Model CHFM	U*	V	Low Speed Shaft		
			S	L1	Key
6205Y	3.875	6.50	3/4-10UNC	1.34	1 X 1 X 6.50
6215Y	4.250	6.50	3/4-10UNC	1.34	1 X 1 X 6.50
6225Y	4.625	6.50	3/4-10UNC	1.34	1-1/4 X 7/8 X 6.50
6235Y	5.000	7.87	1-8UNC	1.61	1-1/4 X 7/8 X 7.87
6245Y	5.500	7.87	1-8UNC	1.61	1-1/4 X 7/8 X 7.87



Dimensions Integral F-Flange Mount

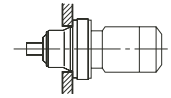
Single Reduction CHFM-6205Y ▶ 6245Y (cont.)

All dimensions are in inches

Model	Motor		Without Brake				Appx Wt (lb)	With Brake						Appx Wt (lb)
	HP	Pole	C	AB	L	MP		C	AB	L	MP	MS	MT	
CHFM15-6205Y	15	4	38.27	8.31	5.63	9.88	593	42.01	8.31	9.37	9.88	6.69	7.17	633
CHFM20-6205Y	20	4	41.02	9.13	11.61	12.76	712	44.57	9.13	15.16	12.76	8.66	-	789
CHFM206-6205Y	20	6	44.37	11.69	13.39	15.51	869	52.64	11.69	21.65	15.51	14.45	-	968
CHFM25-6205Y	25	4	44.37	11.69	13.39	15.51	869	52.64	11.69	21.65	15.51	14.45	-	968
CHFM30-6205Y	30	4	44.37	11.69	13.39	15.51	869	52.64	11.69	21.65	15.51	14.45	-	968
CHFM306-6205Y	30	6	44.37	11.69	13.39	15.51	897	52.64	11.69	21.65	15.51	14.57	-	997
CHFM40-6205Y	40	4	44.37	11.69	13.39	15.51	897	52.64	11.69	21.65	15.51	14.57	-	997
CHFM406-6205Y	40	6	48.90	11.69	16.93	15.51	981	57.36	11.69	25.39	15.51	17.52	-	1188
CHFM50-6205Y	50	4	48.90	11.69	16.93	15.51	981	57.36	11.69	25.39	15.51	17.52	-	1188
CHFM506-6205Y	50	6	48.90	11.69	16.93	15.51	981	57.36	11.69	25.39	15.51	17.52	-	1188
CHFM60-6205Y	60	4	48.90	11.69	16.93	15.51	981	57.36	11.69	25.39	15.51	17.52	-	1188
CHFM606-6205Y	60	6	51.06	16.22	18.31	19.06	1186	-	-	-	-	-	-	-
CHFM75-6205Y	75	4	51.06	16.22	18.31	19.06	1186	-	-	-	-	-	-	-
CHFM15-6215Y	15	4	39.21	8.31	5.63	9.88	770	42.95	8.31	9.37	9.88	6.69	7.17	809
CHFM20-6215Y	20	4	41.97	9.13	11.61	12.76	891	45.51	9.13	15.16	12.76	8.66	-	966
CHFM206-6215Y	20	6	45.31	11.69	13.39	15.51	1034	53.58	11.69	21.65	15.51	14.45	-	1133
CHFM25-6215Y	25	4	45.31	11.69	13.39	15.51	1034	53.58	11.69	21.65	15.51	14.45	-	1133
CHFM256-6215Y	25	6	45.31	11.69	13.39	15.51	1063	53.58	11.69	21.65	15.51	14.45	-	1162
CHFM30-6215Y	30	4	45.31	11.69	13.39	15.51	1034	53.58	11.69	21.65	15.51	14.45	-	1133
CHFM306-6215Y	30	6	45.31	11.69	13.39	15.51	1063	53.58	11.69	21.65	15.51	14.57	-	1162
CHFM40-6215Y	40	4	45.31	11.69	13.39	15.51	1063	53.58	11.69	21.65	15.51	14.57	-	1162
CHFM406-6215Y	40	6	49.84	11.69	16.93	15.51	1147	58.31	11.69	25.39	15.51	17.52	-	1356
CHFM50-6215Y	50	4	49.84	11.69	16.93	15.51	1147	58.31	11.69	25.39	15.51	17.52	-	1356
CHFM506-6215Y	50	6	49.84	11.69	16.93	15.51	1147	58.31	11.69	25.39	15.51	17.52	-	1356
CHFM60-6215Y	60	4	49.84	11.69	16.93	15.51	1147	58.31	11.69	25.39	15.51	17.52	-	1356
CHFM606-6215Y	60	6	52.01	16.22	18.31	19.06	1389	-	-	-	-	-	-	-
CHFM75-6215Y	75	4	52.01	16.22	18.31	19.06	1389	-	-	-	-	-	-	-
CHFM206-6225Y	20	6	46.89	11.69	13.39	15.51	1184	55.16	11.69	21.65	15.51	14.45	-	1283
CHFM25-6225Y	25	4	46.89	11.69	13.39	15.51	1184	55.16	11.69	21.65	15.51	14.45	-	1283
CHFM256-6225Y	25	6	46.89	11.69	13.39	15.51	1213	55.16	11.69	21.65	15.51	14.45	-	1312
CHFM30-6225Y	30	4	46.89	11.69	13.39	15.51	1184	55.16	11.69	21.65	15.51	14.45	-	1283
CHFM306-6225Y	30	6	46.89	11.69	13.39	15.51	1213	55.16	11.69	21.65	15.51	14.57	-	1312
CHFM40-6225Y	40	4	46.89	11.69	13.39	15.51	1213	55.16	11.69	21.65	15.51	14.57	-	1312
CHFM406-6225Y	40	6	51.42	11.69	16.93	15.51	1297	59.88	11.69	25.39	15.51	17.52	-	1506
CHFM50-6225Y	50	4	51.42	11.69	16.93	15.51	1297	59.88	11.69	25.39	15.51	17.52	-	1506
CHFM506-6225Y	50	6	51.42	11.69	16.93	15.51	1297	59.88	11.69	25.39	15.51	17.52	-	1506
CHFM60-6225Y	60	4	51.42	11.69	16.93	15.51	1297	59.88	11.69	25.39	15.51	17.52	-	1506
CHFM606-6225Y	60	6	53.58	16.22	18.31	19.06	1515	-	-	-	-	-	-	-
CHFM75-6225Y	75	4	53.58	16.22	18.31	19.06	1515	-	-	-	-	-	-	-
CHFM206-6235Y	20	6	49.33	11.69	13.39	15.51	1372	57.60	11.69	21.65	15.51	14.45	-	1440
CHFM256-6235Y	25	6	49.33	11.69	13.39	15.51	1372	57.60	11.69	21.65	15.51	14.45	-	1471
CHFM306-6235Y	30	6	49.33	11.69	13.39	15.51	1372	57.60	11.69	21.65	15.51	14.57	-	1471
CHFM406-6235Y	40	6	53.86	11.69	16.93	15.51	1473	62.32	11.69	25.39	15.51	17.52	-	1667
CHFM506-6235Y	50	6	53.86	11.69	16.93	15.51	1473	62.32	11.69	25.39	15.51	17.52	-	1667
CHFM606-6235Y	60	6	56.02	16.22	18.31	19.06	1669	-	-	-	-	-	-	-
CHFM756-6235Y	75	6	59.17	16.22	19.88	19.09	1788	-	-	-	-	-	-	-
CHFM206-6245Y	20	6	50.47	11.69	13.39	15.51	1636	58.74	11.69	21.65	15.51	14.45	-	1709
CHFM256-6245Y	25	6	50.47	11.69	13.39	15.51	1636	58.74	11.69	21.65	15.51	14.45	-	1740
CHFM306-6245Y	30	6	50.47	11.69	13.39	15.51	1636	58.74	11.69	21.65	15.51	14.57	-	1740
CHFM406-6245Y	40	6	55.00	11.69	16.93	15.51	1738	63.46	11.69	25.39	15.51	17.52	-	1932
CHFM506-6245Y	50	6	55.00	11.69	16.93	15.51	1738	63.46	11.69	25.39	15.51	17.52	-	1932
CHFM606-6245Y	60	6	57.17	16.22	18.31	19.06	1938	-	-	-	-	-	-	-
CHFM756-6245Y	75	6	60.31	16.22	19.88	19.09	2046	-	-	-	-	-	-	-

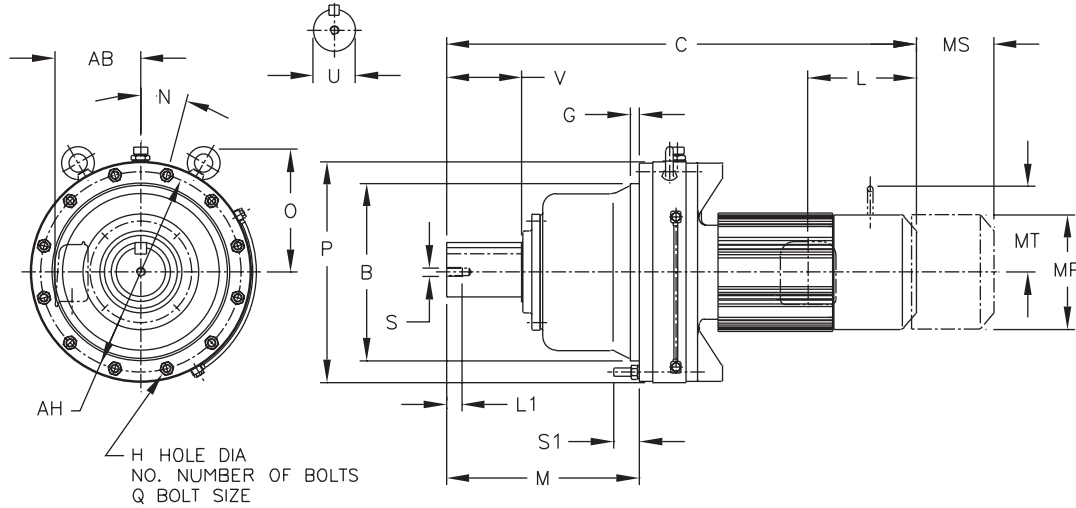
Gearmotors

Dimensions



Dimensions Integral F-Flange Mount

Single Reduction CHFM-6255Y ▶ 6265Y



All dimensions are in inches

Model CHFM	B	G	H	NO.	M	N	O	P	Q	S1	AH
6255Y	21.2590	1.18	1.06	12	24.25	15	15.20	26.38	M24	3.58	24.02
	21.2562										
6265Y	22.4401	1.57	1.34	12	28.03	15	17.83	28.98	M30	3.35	25.98
	22.4373										

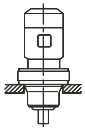
Gearmotors
Dimensions

Model CHFM	Low Speed Shaft				
	U*	V	S	L1	Key
6255Y	6.250	9.45	1-1/4-7UNC	1.93	1-1/2 X 1 X 9.45
6265Y	6.625	11.81	1-1/4-7UNC	1.93	1-3/4 X 1-1/4 X 11.8

***Shaft Tolerances**

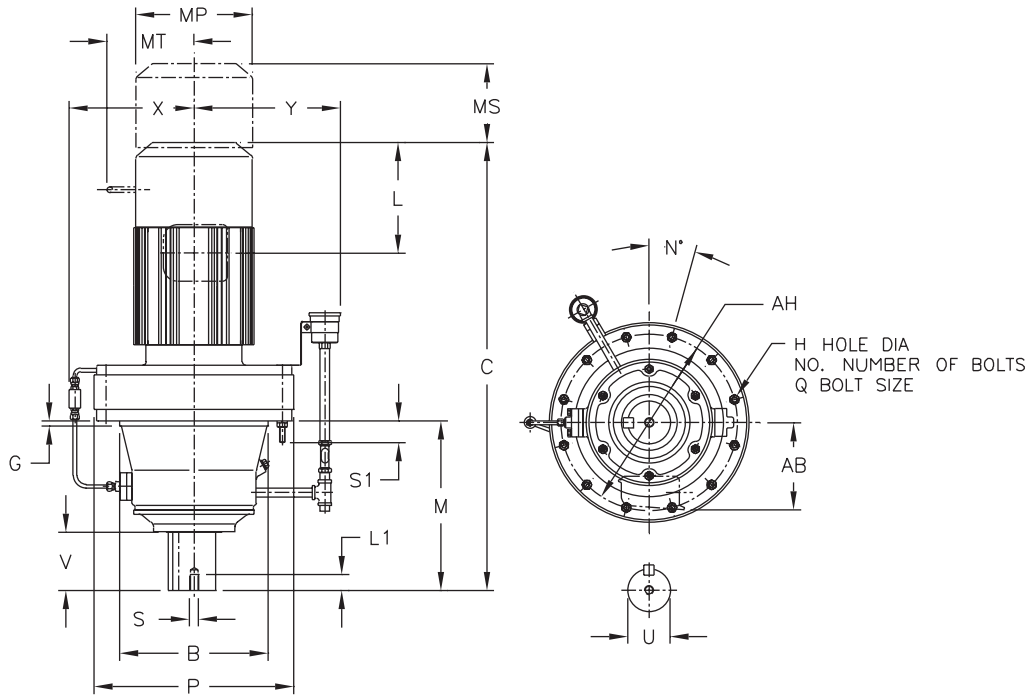
Shaft Nominal Diameter (inches)	Tolerances (inches)
3.250 (3 1/4) through 4.625 (4 5/8)	+0.0000/-0.0009
4.750 (4 3/4) through 7.000 (7)	+0.0000/-0.0010

Model	Motor		C	Without Brake			Appx Wt (lb)	With Brake					Appx Wt (lb)	
	HP	Pole		AB	L	MP		C	AB	L	MP	MS		MT
CHFM256-6255Y	25	6	55.12	11.69	13.39	15.51	2176	63.39	11.69	21.65	15.51	14.45	-	2280
CHFM306-6255Y	30	6	55.12	11.69	13.39	15.51	2176	63.39	11.69	21.65	15.51	14.57	-	2280
CHFM406-6255Y	40	6	59.65	11.69	16.93	15.51	2276	68.11	11.69	25.39	15.51	17.52	-	2470
CHFM506-6255Y	50	6	59.65	11.69	16.93	15.51	2276	68.11	11.69	25.39	15.51	17.52	-	2470
CHFM606-6255Y	60	6	61.81	16.22	18.31	19.06	2452	-	-	-	-	-	-	-
CHFM756-6255Y	75	6	64.96	16.22	19.88	19.09	2573	-	-	-	-	-	-	-
CHFM406-6265Y	40	6	64.25	11.69	16.93	15.51	2800	72.72	11.69	25.39	15.51	17.52	-	2994
CHFM506-6265Y	50	6	64.25	11.69	16.93	15.51	2800	72.72	11.69	25.39	15.51	17.52	-	2994
CHFM606-6265Y	60	6	66.42	16.22	18.31	19.06	3010	-	-	-	-	-	-	-



Dimensions Integral Vertical F-Flange Mount

Single Reduction CVFM-6130/5Y ▶ 6140/5Y



All dimensions are in inches

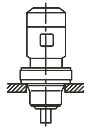
Model CVFM	B	C	G	H	NO.	M	N	P	Q	S1	AH	X	Y
6130/5Y	6.4955 6.4945	12.64	0.63	0.43	6	7.01	60	9.06	M10	1.22	8.07	5.98	8.23
6140/5Y	6.4955 6.4945	13.43	0.63	0.43	6	7.80	60	9.06	M10	1.22	8.07	5.98	8.23

***Shaft Tolerances**

Shaft Nominal Diameter (inches)	Tolerances (inches)
1.250 (1 1/4) through 1.875 (1 7/8)	+0.0000/-0.0006
2.000 (2) through 3.125 (3 1/8)	+0.0000/-0.0007
3.250 (3 1/4) through 4.625 (4 5/8)	+0.0000/-0.0009

Model CVFM	U*	V	Low Speed Shaft		
			S	L1	Key
6130/5Y	1.875	2.40	3/8-16UNC	0.71	1/2 X 1/2 X 2.16
6140/5Y	1.875	3.19	3/8-16UNC	0.71	1/2 X 1/2 X 2.95

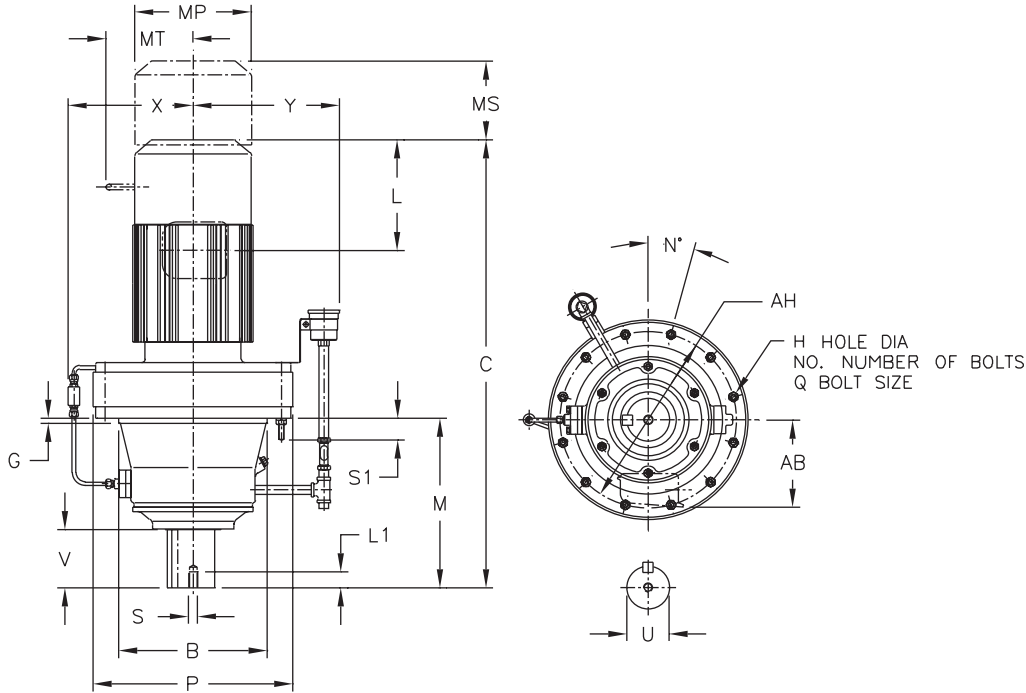
Model	Motor		C	Without Brake			Appx Wt (lb)	C	AB	With Brake			Appx Wt (lb)	
	HP	Pole		AB	L	MP				L	MP	MS		MT
CVFM1-6130/5Y	1	4	18.78	5.43	3.82	5.83	95	20.47	5.43	5.51	5.83	3.66	4.17	106
CVFM1H-6130/5Y	1.5	4	20.08	5.63	3.94	6.30	104	22.52	5.63	6.38	6.30	4.53	4.49	115
CVFM2-6130/5Y	2	4	20.08	5.63	3.94	6.30	104	22.52	5.63	6.38	6.30	4.53	4.49	115
CVFM3-6130/5Y	3	4	20.87	5.91	4.13	6.81	110	23.35	5.91	6.61	6.81	4.76	4.88	126
CVFM5-6130/5Y	5	4	21.77	6.54	5.00	8.35	132	24.61	6.54	7.83	8.35	5.20	6.18	154
CVFM8-6130/5Y	7.5	4	23.50	6.54	5.00	8.35	148	26.34	6.54	7.83	8.35	5.20	6.18	170
CVFM10-6130/5Y	10	4	24.41	8.31	5.63	9.88	181	28.15	8.31	9.37	9.88	6.69	7.17	221
CVFM15-6130/5Y	15	4	26.77	8.31	5.63	9.88	212	30.51	8.31	9.37	9.88	6.69	7.17	251
CVFM1H-6140/5Y	1.5	4	20.87	5.63	3.94	6.30	106	23.31	5.63	6.38	6.30	4.53	4.49	117
CVFM2-6140/5Y	2	4	20.87	5.63	3.94	6.30	106	23.31	5.63	6.38	6.30	4.53	4.49	117
CVFM3-6140/5Y	3	4	21.65	5.91	4.13	6.81	112	24.13	5.91	6.61	6.81	4.76	4.88	128
CVFM5-6140/5Y	5	4	22.56	6.54	5.00	8.35	135	25.39	6.54	7.83	8.35	5.20	6.18	157
CVFM8-6140/5Y	7.5	4	24.29	6.54	5.00	8.35	150	27.13	6.54	7.83	8.35	5.20	6.18	172
CVFM10-6140/5Y	10	4	25.20	8.31	5.63	9.88	183	28.94	8.31	9.37	9.88	6.69	7.17	223
CVFM15-6140/5Y	15	4	27.56	8.31	5.63	9.88	214	31.30	8.31	9.37	9.88	6.69	7.17	254
CVFM20-6140/5Y	20	4	31.10	9.13	11.61	12.76	329	34.65	9.13	15.16	12.76	8.66	-	401



Dimensions Integral Vertical F-Flange Mount

Single Reduction

CVFM-6160/5Y ▶ 6190/5Y



All dimensions are in inches

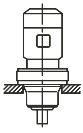
Model CVFM	B	C	G	H	NO.	M	N	P	Q	S1	AH	X	Y
6160/5Y	7.8734 7.8723	16.26	0.39	0.55	6	8.74	30	11.81	M12	1.38	10.63	8.54	9.06
6170/5Y	9.8419 9.8408	18.78	0.47	0.55	8	10.31	22.5	13.39	M12	1.61	11.81	8.74	10.24
6180/5Y	11.0230 11.0217	20.75	0.47	0.55	8	11.77	22.5	14.57	M12	1.50	12.99	9.33	10.24
6190/5Y	12.5977 12.5963	24.41	0.39	0.55	12	14.37	15	16.93	M12	1.61	14.96	10.43	10.24

Gearmotors
Dimensions

Model CVFM	Low Speed Shaft				
	U*	V	S	L1	Key
6160/5Y	2.250	3.15	3/8-16UNC	0.71	1/2 X 1/2 X 2.95
6170/5Y	2.750	3.31	1/2-13UNC	0.94	5/8 X 5/8 X 3.15
6180/5Y	3.125	3.94	1/2-13UNC	0.94	3/4 X 3/4 X 3.74
6190/5Y	3.625	4.92	3/4-10UNC	1.34	7/8 X 7/8 X 4.92

*Shaft Tolerances

Shaft Nominal Diameter (inches)	Tolerances (inches)
1.250 (1 1/4) through 1.875 (1 7/8)	+0.0000/-0.0006
2.000 (2) through 3.125 (3 1/8)	+0.0000/-0.0007
3.250 (3 1/4) through 4.625 (4 5/8)	+0.0000/-0.0009



Dimensions Integral Vertical F-Flange Mount

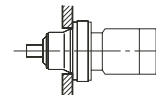
Single Reduction CVFM-6160/5Y ▶ 6190/5Y (cont.)

All dimensions are in inches

Model	Motor		C	Without Brake			Appx Wt (lb)	With Brake						Appx Wt (lb)
	HP	Pole		AB	L	MP		C	AB	L	MP	MS	MT	
CVFM2-6160/5Y	2	4	22.95	5.63	3.94	6.30	165	25.39	5.63	6.38	6.30	4.53	4.49	176
CVFM3-6160/5Y	3	4	23.54	5.91	4.13	6.81	172	26.02	5.91	6.61	6.81	4.76	4.88	185
CVFM5-6160/5Y	5	4	24.45	6.54	5.00	8.35	192	27.28	6.54	7.83	8.35	5.20	6.18	214
CVFM8-6160/5Y	7.5	4	26.18	6.54	5.00	8.35	207	29.02	6.54	7.83	8.35	5.20	6.18	229
CVFM10-6160/5Y	10	4	27.28	8.31	5.63	9.88	243	31.02	8.31	9.37	9.88	6.69	7.17	280
CVFM15-6160/5Y	15	4	29.65	8.31	5.63	9.88	273	33.39	8.31	9.37	9.88	6.69	7.17	311
CVFM20-6160/5Y	20	4	32.99	9.13	11.61	12.76	390	36.54	9.13	15.16	12.76	8.66	-	463
CVFM25-6160/5Y	25	4	36.73	11.69	13.39	15.51	549	45.00	11.69	21.65	15.51	14.45	-	662
CVFM30-6160/5Y	30	4	36.73	11.69	13.39	15.51	549	45.00	11.69	21.65	15.51	14.45	-	662
CVFM5-6170/5Y	5	4	26.77	6.54	5.00	8.35	260	29.61	6.54	7.83	8.35	5.20	6.18	282
CVFM8-6170/5Y	7.5	4	28.50	6.54	5.00	8.35	276	31.34	6.54	7.83	8.35	5.20	6.18	298
CVFM10-6170/5Y	10	4	29.21	8.31	5.63	9.88	309	32.95	8.31	9.37	9.88	6.69	7.17	348
CVFM15-6170/5Y	15	4	31.57	8.31	5.63	9.88	340	35.31	8.31	9.37	9.88	6.69	7.17	379
CVFM20-6170/5Y	20	4	34.72	9.13	11.61	12.76	459	38.27	9.13	15.16	12.76	8.66	-	531
CVFM25-6170/5Y	25	4	38.46	11.69	13.39	15.51	609	46.73	11.69	21.65	15.51	14.45	-	721
CVFM30-6170/5Y	30	4	38.46	11.69	13.39	15.51	609	46.73	11.69	21.65	15.51	14.45	-	721
CVFM40-6170/5Y	40	4	38.46	11.69	13.39	15.51	646	46.73	11.69	21.65	15.51	14.57	-	741
CVFM5-6180/5Y	5	4	28.23	6.54	5.00	8.35	326	31.06	6.54	7.83	8.35	5.20	6.18	348
CVFM8-6180/5Y	7.5	4	29.96	6.54	5.00	8.35	344	32.80	6.54	7.83	8.35	5.20	6.18	366
CVFM10-6180/5Y	10	4	30.67	8.31	5.63	9.88	377	34.41	8.31	9.37	9.88	6.69	7.17	417
CVFM15-6180/5Y	15	4	33.03	8.31	5.63	9.88	408	36.77	8.31	9.37	9.88	6.69	7.17	448
CVFM20-6180/5Y	20	4	36.18	9.13	11.61	12.76	540	39.72	9.13	15.16	12.76	8.66	-	602
CVFM25-6180/5Y	25	4	39.92	11.69	13.39	15.51	677	48.19	11.69	21.65	15.51	14.45	-	789
CVFM30-6180/5Y	30	4	39.92	11.69	13.39	15.51	677	48.19	11.69	21.65	15.51	14.45	-	789
CVFM40-6180/5Y	40	4	39.92	11.69	13.39	15.51	714	48.19	11.69	21.65	15.51	14.57	-	809
CVFM50-6180/5Y	50	4	44.45	11.69	16.93	15.51	820	52.91	11.69	25.39	15.51	17.52	-	1034
CVFM60-6180/5Y	60	4	44.45	11.69	16.93	15.51	820	52.91	11.69	25.39	15.51	17.52	-	1034
CVFM8-6190/5Y	7.5	4	33.74	6.54	5.00	8.35	476	36.57	6.54	7.83	8.35	5.20	6.18	498
CVFM10-6190/5Y	10	4	34.25	8.31	5.63	9.88	505	37.99	8.31	9.37	9.88	6.69	7.17	545
CVFM15-6190/5Y	15	4	36.61	8.31	5.63	9.88	536	40.35	8.31	9.37	9.88	6.69	7.17	576
CVFM20-6190/5Y	20	4	39.17	9.13	11.61	12.76	653	42.72	9.13	15.16	12.76	8.66	-	728
CVFM25-6190/5Y	25	4	42.91	11.69	13.39	15.51	811	51.18	11.69	21.65	15.51	14.45	-	911
CVFM256-6190/5Y	25	6	42.91	11.69	13.39	15.51	845	51.18	11.69	21.65	15.51	14.45	-	939
CVFM30-6190/5Y	30	4	42.91	11.69	13.39	15.51	811	51.18	11.69	21.65	15.51	14.45	-	911
CVFM40-6190/5Y	40	4	42.91	11.69	13.39	15.51	845	51.18	11.69	21.65	15.51	14.45	-	939
CVFM406-6190/5Y	40	6	47.44	11.69	16.93	15.51	928	55.91	11.69	25.39	15.51	17.52	-	1142
CVFM50-6190/5Y	50	4	47.44	11.69	16.93	15.51	928	55.91	11.69	25.39	15.51	17.52	-	1142
CVFM506-6190/5Y	50	6	47.44	11.69	16.93	15.51	928	55.91	11.69	25.39	15.51	17.52	-	1142
CVFM60-6190/5Y	60	4	47.44	11.69	16.93	15.51	928	55.91	11.69	25.39	15.51	17.52	-	1142

Gearmotors

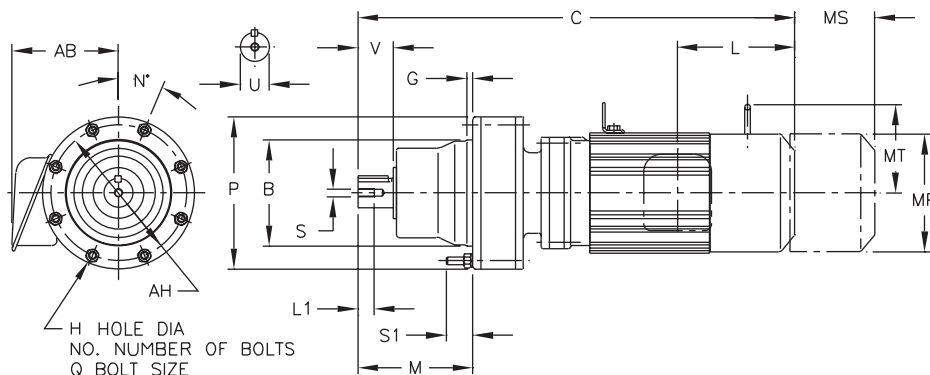
Dimensions



Dimensions Integral F-Flange Mount

Double Reduction

CNFM-6060/5DAY ▶ 6120/5DBY



All dimensions are in inches

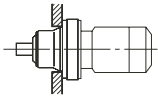
Model CNFM	B	G	H	NO.	M	N	P	Q	S1	AH
6060/5DAY	3.1492 3.1485	0.16	0.26	6	2.68	60	4.33	M6	0.83	3.86
6070/5DAY	3.1492 3.1485	0.16	0.26	6	2.91	60	4.33	M6	0.83	3.86
6090/5DAY	4.1334 4.1325	0.24	0.35	8	4.49	22.5	5.91	M8	1.14	5.28
6100/5DAY	4.1334 4.1325	0.24	0.35	8	4.49	22.5	5.91	M8	1.10	5.28
6120/5DBY	5.5113 5.5103	0.55	0.43	6	5.47	60	8.03	M10	1.30	7.09

Model CNFM	Low Speed Shaft				
	U*	V	S	L1	Key
6060/5DAY	0.500	0.98	0.63	10-32UNF	1/8 X 1/8 X .79
6070/5DAY	0.750	1.18	0.63	12-28UNF	3/16 X 3/16 X 1.06
6090/5DAY	1.125	1.38	0.79	5/16-18UNC	1/4 X 1/4 X 1.18
6100/5DAY	1.125	1.38	0.79	5/16-18UNC	1/4 X 1/4 X 1.18
6120/5DBY	1.500	2.17	0.79	5/16-18UNC	3/8 X 3/8 X 1.77

***Shaft Tolerances**

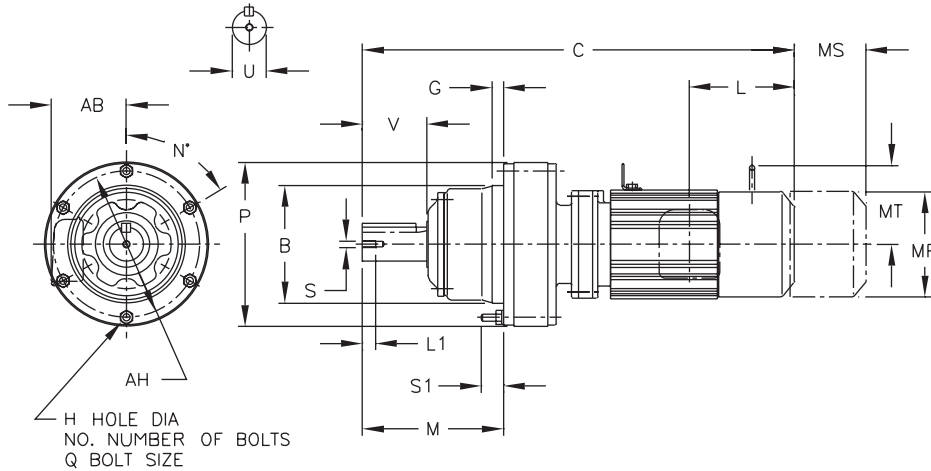
Shaft Nominal Diameter (inches)	Tolerances (inches)
0.500 (1/2) through 0.625 (5/8)	+0.0000/-0.0004
0.750 (3/4) through 1.125 (1 1/8)	+0.0000/-0.0005
1.250 (1 1/4) through 1.875 (1 7/8)	+0.0000/-0.0006

Model	Motor Pole		C	Without Brake			Appx Wt (lb)	C	AB	With Brake		MS	MT	Appx Wt (lb)
	HP	Pole		AB	L	MP				L	MP			
CNFM01-6060/5DAY	1/8	4	10.20	5.04	1.38	4.69	15	11.57	5.04	4.88	4.88	-	0.33	19
CNFM01-6070/5DAY	1/8	4	10.43	5.04	1.38	4.69	18	11.81	5.04	4.88	4.88	-	0.37	21
CNFM02-6070/5DAY	1/4	4	12.09	5.04	2.32	4.88	20	13.35	5.04	4.88	4.88	-	0.43	24
CNFM01-6090/5DAY	1/8	4	12.76	5.04	1.38	4.69	29	14.13	5.04	4.88	4.88	-	0.55	31
CNFM02-6090/5DAY	1/4	4	14.41	5.04	2.32	4.88	31	15.67	5.04	4.88	4.88	-	0.59	33
CNFM03-6090/5DAY	1/3	4	14.41	5.04	2.32	4.88	31	15.67	5.04	4.88	4.88	-	0.59	33
CNFM05-6090/5DAY	1/2	4	15.20	5.04	2.32	4.88	33	16.46	5.04	4.88	4.88	-	0.63	35
CNFM01-6100/5DAY	1/8	4	13.31	5.04	1.38	4.69	31	14.69	5.04	4.88	4.88	-	0.59	33
CNFM02-6100/5DAY	1/4	4	14.96	5.04	2.32	4.88	33	16.22	5.04	4.88	4.88	-	0.63	35
CNFM03-6100/5DAY	1/3	4	14.96	5.04	2.32	4.88	33	16.22	5.04	4.88	4.88	-	0.63	35
CNFM05-6100/5DAY	1/2	4	15.75	5.04	2.32	4.88	35	17.01	5.04	4.88	4.88	-	0.67	37
CNFM01-6120/5DBY	1/8	4	15.20	5.04	1.38	4.69	62	16.57	5.04	4.88	4.88	-	1.18	66
CNFM03-6120/5DBY	1/3	4	16.85	5.04	2.32	4.88	64	18.62	5.04	4.88	4.88	-	1.22	68
CNFM05-6120/5DBY	1/2	4	17.64	5.04	2.32	4.88	66	18.62	5.04	4.88	4.88	-	1.26	71
CNFM08-6120/5DBY	3/4	4	19.25	5.43	3.82	5.83	75	20.94	5.43	5.83	5.83	4.17	1.46	82
CNFM1-6120/5DBY	1	4	19.25	5.43	3.82	5.83	75	20.94	5.43	5.83	5.83	4.17	1.46	82
CNFM1H-6120/5DBY	1.5	4	20.31	5.63	3.94	6.30	84	22.76	5.63	6.30	6.30	4.49	1.69	95
CNFM2-6120/5DBY	2	4	20.31	5.63	3.94	6.30	84	22.76	5.63	6.30	6.30	4.49	1.69	95



Dimensions Integral F-Flange Mount

Double Reduction CHFM-6130/5DCY ▶ 6140/5DBY



All dimensions are in inches

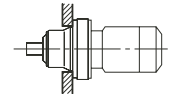
Model CHFM	B	C	G	H	NO.	M	N	O	P	Q	S1	AH
6130/5DCY	6.4955	14.53	0.63	0.43	6	7.01	60	5.91	9.06	M10	1.22	8.07
	6.4945											
6140/5DBY	6.4955	15.08	0.63	0.43	6	7.80	60	5.91	9.06	M10	1.22	8.07
	6.4945											

***Shaft Tolerances**

Shaft Nominal Diameter (inches)	Tolerances (inches)
1.250 (1 1/4) through 1.875 (1 7/8)	+0.0000/-0.0006

Model CHFM	U*	V	Low Speed Shaft		
			S	L1	Key
6130/5DCY	1.875	2.76	0.71	3/8-16UNC	1/2 X 1/2 X 2.16
6140/5DBY	1.875	3.54	0.71	3/8-16UNC	1/2 X 1/2 X 2.95

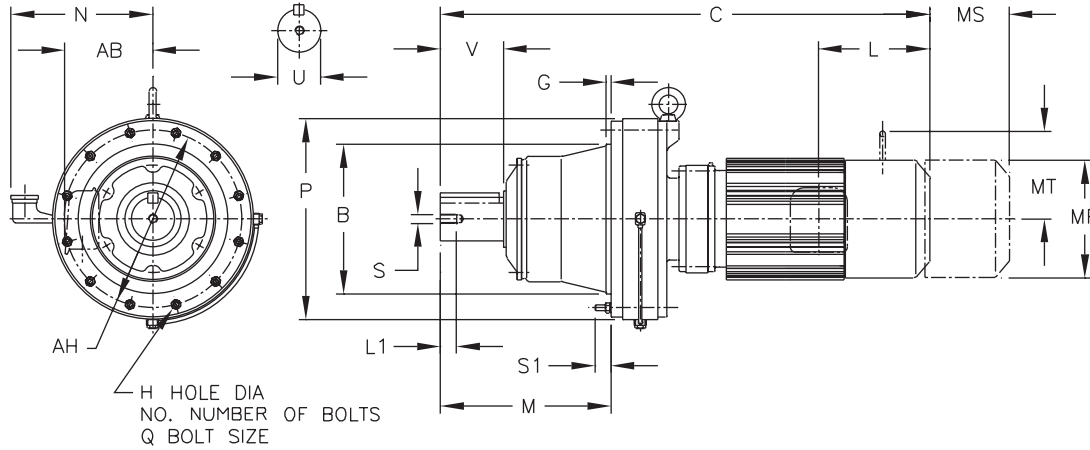
Model	Motor		C	Without Brake			Appx Wt (lb)	C	AB	With Brake			Appx Wt (lb)	
	HP	Pole		AB	L	MP				L	MP	MS		MT
CHFM02-6130/5DCY	1/4	4	19.41	5.04	2.32	4.88	95	20.67	5.04	3.58	4.88	2.40	-	99
CHFM03-6130/5DCY	1/3	4	19.41	5.04	2.32	4.88	95	20.67	5.04	3.58	4.88	2.40	-	99
CHFM05-6130/5DCY	1/2	4	20.20	5.04	2.32	4.88	97	21.46	5.04	3.58	4.88	2.40	-	101
CHFM08-6130/5DCY	3/4	4	21.81	5.43	3.82	5.83	106	23.50	5.43	5.51	5.83	3.66	4.17	112
CHFM1-6130/5DCY	1	4	21.81	5.43	3.82	5.83	106	23.50	5.43	5.51	5.83	3.66	4.17	112
CHFM1H-6130/5DCY	1.5	4	23.11	5.63	3.94	6.30	115	25.55	5.63	6.38	6.30	4.53	4.49	126
CHFM2-6130/5DCY	2	4	23.11	5.63	3.94	6.30	115	25.55	5.63	6.38	6.30	4.53	4.49	126
CHFM3-6130/5DCY	3	4	23.90	5.91	4.13	6.81	123	26.38	5.91	6.61	6.81	4.76	4.88	137
CHFM01-6140/5DBY	1/8	4	17.99	5.04	1.38	4.69	88	19.37	5.04	2.76	4.88	1.93	-	93
CHFM02-6140/5DBY	1/4	4	19.65	5.04	2.32	4.88	90	20.91	5.04	3.58	4.88	2.40	-	95
CHFM03-6140/5DBY	1/3	4	19.65	5.04	2.32	4.88	90	20.91	5.04	3.58	4.88	2.40	-	95
CHFM05-6140/5DBY	1/2	4	20.43	5.04	2.32	4.88	93	21.69	5.04	3.58	4.88	2.40	-	101
CHFM08-6140/5DBY	3/4	4	22.05	5.43	3.82	5.83	101	23.74	5.43	5.51	5.83	3.66	4.17	108
CHFM1-6140/5DBY	1	4	22.05	5.43	3.82	5.83	101	23.74	5.43	5.51	5.83	3.66	4.17	108
CHFM1H-6140/5DBY	1.5	4	23.35	5.63	3.94	6.30	110	25.79	5.63	6.38	6.30	4.53	4.49	117
CHFM2-6140/5DBY	2	4	23.35	5.63	3.94	6.30	110	25.79	5.63	6.38	6.30	4.53	4.49	117



Dimensions Integral F-Flange Mount

Double Reduction

CHFM-6160/5DCY ▶ 6190/5DBY



All dimensions are in inches

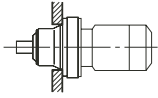
Model CHFM	B	G	H	NO.	M	N	O	P	Q	S1	AH	X
6160/5DCY	7.8734 7.8723	0.39	0.55	6	8.74	30	7.44	11.81	M12	1.38	10.63	8.98
6170/5DCY	9.8419 9.8408	0.47	0.55	8	10.31	22.5	8.50	13.39	M12	1.61	11.81	9.57
6180/5DBY	11.0230 11.0217	0.47	0.55	8	11.77	22.5	9.09	14.57	M12	1.50	12.99	10.16
6190/5DAY	12.5977 12.5963	0.39	0.55	12	14.37	15	11.06	16.93	M12	1.61	14.96	11.22
6190/5DBY	12.5977 12.5963	0.39	0.55	12	14.37	15	11.06	16.93	M12	1.61	14.96	11.22

Gearmotors
Dimensions

Model CHFM	U*	V	Low Speed Shaft		
			S	L1	Key
6160/5DCY	2.250	3.54	3/8-16UNC	0.71	1/2 X 1/2 X 2.95
6170/5DCY	2.750	3.54	1/2-13UNC	0.94	5/8 X 5/8 X 3.15
6180/5DBY	3.125	4.33	1/2-13UNC	0.94	3/4 X 3/4 X 3.74
6190/5DAY	3.625	5.31	3/4-10UNC	1.34	7/8 X 7/8 X 4.92
6190/5DBY	3.625	5.31	3/4-10UNC	1.34	7/8 X 7/8 X 4.92

***Shaft Tolerances**

Shaft Nominal Diameter (inches)	Tolerances (inches)
2.000 (2) through 3.125 (3 1/8)	+0.0000/-0.0007
3.250 (3 1/4) through 4.625 (4 5/8)	+0.0000/-0.0009
4.750 (4 3/4) through 7.000 (7)	+0.0000/-0.0010



Dimensions Integral F-Flange Mount

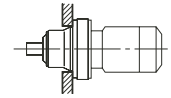
Double Reduction CHFM-6160/5DCY ▶ 6190/5DBY (cont.)

All dimensions are in inches

Model	Motor		C	Without Brake			Appx Wt (lb)	With Brake						Appx Wt (lb)
	HP	Pole		AB	L	MP		C	AB	L	MP	MS	MT	
CHFM05-6160/5DCY	1/2	4	23.07	5.04	2.32	4.88	176	24.49	5.04	3.58	4.88	2.40	-	181
CHFM08-6160/5DCY	3/4	4	24.65	5.43	3.82	5.83	185	26.34	5.43	5.51	5.83	3.66	4.17	192
CHFM1-6160/5DCY	1	4	24.65	5.43	3.82	5.83	185	26.34	5.43	5.51	5.83	3.66	4.17	192
CHFM1H-6160/5DCY	1.5	4	25.94	5.63	3.94	6.30	194	28.39	5.63	6.38	6.30	4.53	4.49	205
CHFM2-6160/5DCY	2	4	25.94	5.63	3.94	6.30	194	28.39	5.63	6.38	6.30	4.53	4.49	205
CHFM3-6160/5DCY	3	4	26.73	5.91	2.32	6.81	203	29.21	5.91	3.58	6.81	2.40	-	218
CHFM5-6160/5DCY	5	4	27.64	6.54	5.00	8.35	225	30.47	6.54	7.83	8.35	5.20	6.18	247
CHFM8-6160/5DCY	7.5	4	29.37	6.54	5.00	8.35	240	32.20	6.54	7.83	8.35	5.20	6.18	262
CHFM05-6170/5DCY	1/2	4	24.92	5.04	2.32	4.88	229	26.34	5.04	3.58	4.88	2.40	-	234
CHFM08-6170/5DCY	3/4	4	26.50	5.43	3.82	5.83	238	28.19	5.43	5.51	5.83	3.66	4.17	245
CHFM1-6170/5DCY	1	4	26.50	5.43	3.82	5.83	238	28.19	5.43	5.51	5.83	3.66	4.17	245
CHFM1H-6170/5DCY	1.5	4	27.80	5.63	3.94	6.30	247	30.24	5.63	6.38	6.30	4.53	4.49	258
CHFM2-6170/5DCY	2	4	27.80	5.63	3.94	6.30	247	30.24	5.63	6.38	6.30	4.53	4.49	258
CHFM3-6170/5DCY	3	4	28.58	5.91	2.32	6.81	256	31.06	5.91	3.58	6.81	2.40	-	271
CHFM5-6170/5DCY	5	4	29.49	6.54	5.00	8.35	278	32.32	6.54	7.83	8.35	5.20	6.18	300
CHFM8-6170/5DCY	7.5	4	31.22	6.54	5.00	8.35	293	34.06	6.54	7.83	8.35	5.20	6.18	315
CHFM1-6180/5DBY	1	4	28.86	5.43	3.82	5.83	340	30.55	5.43	5.51	5.83	3.66	4.17	346
CHFM1H-6180/5DBY	1.5	4	30.16	5.63	3.94	6.30	348	32.60	5.63	6.38	6.30	4.53	4.49	359
CHFM2-6180/5DBY	2	4	30.16	5.63	3.94	6.30	348	32.60	5.63	6.38	6.30	4.53	4.49	359
CHFM3-6180/5DBY	3	4	30.94	5.91	2.32	6.81	355	33.43	5.91	3.58	6.81	2.40	-	370
CHFM5-6180/5DBY	5	4	31.85	6.54	5.00	8.35	377	34.69	6.54	7.83	8.35	5.20	6.18	399
CHFM8-6180/5DBY	7.5	4	33.58	6.54	5.00	8.35	392	36.42	6.54	7.83	8.35	5.20	6.18	415
CHFM10-6180/5DBY	10	4	34.49	8.31	5.63	9.88	426	38.23	8.31	9.37	9.88	6.69	7.17	465
CHFM15-6180/5DBY	15	4	36.85	8.31	5.63	9.88	456	40.59	8.31	9.37	9.88	6.69	7.17	496
CHFM1-6190/5DAY	1	4	31.22	5.43	3.82	5.83	441	32.91	5.43	5.51	5.83	3.66	4.17	448
CHFM1H-6190/5DAY	1.5	4	32.52	5.63	3.94	6.30	450	34.96	5.63	6.38	6.30	4.53	4.49	461
CHFM2-6190/5DAY	2	4	32.52	5.63	3.94	6.30	450	34.96	5.63	6.38	6.30	4.53	4.49	461
CHFM3-6190/5DAY	3	4	33.31	5.91	2.32	6.81	459	35.79	5.91	3.58	6.81	2.40	-	474
CHFM5-6190/5DAY	5	4	34.21	6.54	5.00	8.35	481	37.05	6.54	7.83	8.35	5.20	6.18	503
CHFM8-6190/5DAY	7.5	4	35.94	6.54	5.00	8.35	496	38.78	6.54	7.83	8.35	5.20	6.18	518
CHFM5-6190/5DBY	5	4	34.84	6.54	5.00	8.35	496	37.68	6.54	7.83	8.35	5.20	6.18	518
CHFM8-6190/5DBY	7.5	4	36.57	6.54	5.00	8.35	512	39.41	6.54	7.83	8.35	5.20	6.18	534
CHFM10-6190/5DBY	10	4	37.48	8.31	5.63	9.88	545	41.22	8.31	9.37	9.88	6.69	7.17	584
CHFM15-6190/5DBY	15	4	39.84	8.31	5.63	9.88	576	43.58	8.31	9.37	9.88	6.69	7.17	615
CHFM20-6190/5DBY	20	4	43.39	9.13	11.61	12.76	690	46.93	9.13	15.16	12.76	8.66	-	763

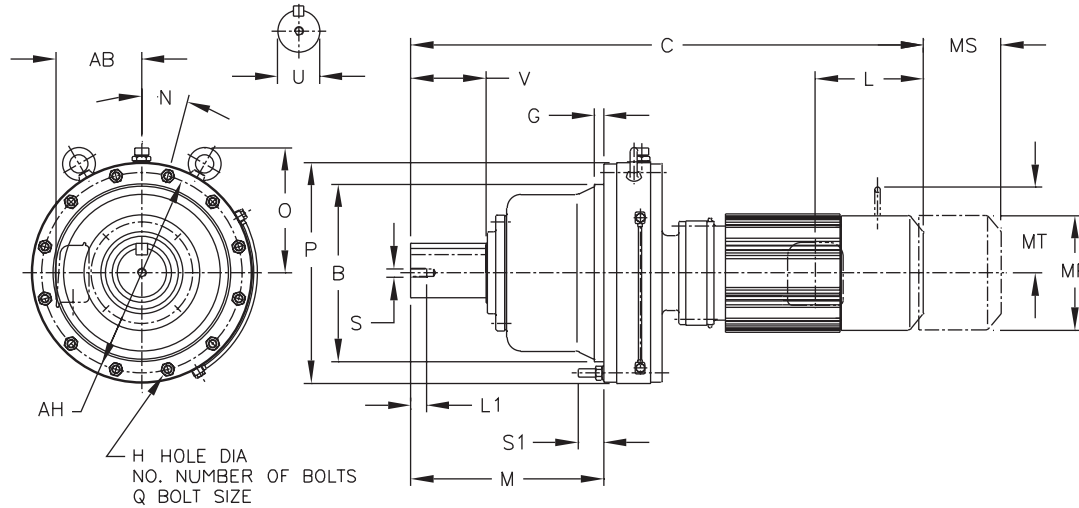
Gearmotors

Dimensions



Dimensions Integral F-Flange Mount

Double Reduction CHFM-6205DAY ▶ 6225DBY



All dimensions are in inches

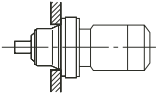
Model CHFM	B	G	H	NO.	M	N	O	P	Q	S1	AH
6205DAY	14.1725	0.79	0.71	12	16.14	15	11.14	17.64	M16	2.20	15.94
	14.1711										
6205DBY	14.1725	0.79	0.71	12	16.14	15	11.14	17.64	M16	2.20	15.94
	14.1711										
6215DAY	15.3536	0.79	0.81	12	16.65	15	12.28	19.09	M18	2.20	17.32
	15.3522										
6215DBY	15.3536	0.79	0.81	12	16.65	15	12.28	19.09	M18	2.20	17.32
	15.3522										
6225DAY	16.5346	0.79	0.87	12	17.87	15	13.11	20.71	M20	2.52	18.70
	16.5331										
6225DBY	16.5346	0.79	0.87	12	17.87	15	13.11	20.71	M20	2.52	18.70
	16.5331										

Gearmotors
Dimensions

***Shaft Tolerances**

Shaft Nominal Diameter (inches)	Tolerances (inches)
3.250 (3 1/4) through 4.625 (4 5/8)	+0.0000/-0.0009
4.750 (4 3/4) through 7.000 (7)	+0.0000/-0.0010

Model CHFM	U*	V	Low Speed Shaft		
			S	L1	Key
6205DAY	3.875	6.50	3/4-10UNC	1.34	1 X 1 X 6.50
6205DBY	3.875	6.50	3/4-10UNC	1.34	1 X 1 X 6.50
6215DAY	4.250	6.50	3/4-10UNC	1.34	1 X 1 X 6.50
6215DBY	4.250	6.50	3/4-10UNC	1.34	1 X 1 X 6.50
6225DAY	4.625	6.50	3/4-10UNC	1.34	1-1/4 X 7/8 X 6.50
6225DBY	4.625	6.50	3/4-10UNC	1.34	1-1/4 X 7/8 X 6.50



Dimensions Integral F-Flange Mount

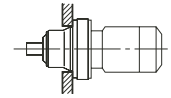
Double Reduction CHFM-6205DAY ▶ 6225DBY (cont.)

All dimensions are in inches

Model	Motor		C	Without Brake				Appx Wt (lb)	C	AB	With Brake				Appx Wt (lb)
	HP	Pole		AB	L	MP	L				MP	MS	MT		
CHFM1-6205DAY	1	4	32.83	5.43	3.82	5.83	494	34.53	5.43	5.51	5.83	3.66	4.17	501	
CHFM2-6205DAY	2	4	34.13	5.63	3.94	6.30	503	36.57	5.63	6.38	6.30	4.53	4.49	514	
CHFM3-6205DAY	3	4	34.92	5.91	2.32	6.81	512	37.36	5.91	3.58	6.81	2.40	-	527	
CHFM5-6205DAY	5	4	35.83	6.54	5.00	8.35	534	38.66	6.54	7.83	8.35	5.20	6.18	556	
CHFM8-6205DAY	7.5	4	37.56	6.54	5.00	8.35	549	40.39	6.54	7.83	8.35	5.20	6.18	571	
CHFM3-6205DB	3	4	35.98	5.91	2.32	6.81	538	38.46	5.91	3.58	6.81	2.40	-	553	
CHFM5-6205DB	5	4	36.89	6.54	5.00	8.35	560	39.72	6.54	7.83	8.35	5.20	6.18	582	
CHFM8-6205DB	7.5	4	38.62	6.54	5.00	8.35	576	41.46	6.54	7.83	8.35	5.20	6.18	598	
CHFM10-6205DB	10	4	39.53	8.31	5.63	9.88	609	43.27	8.31	9.37	9.88	6.69	7.17	648	
CHFM15-6205DB	15	4	41.89	8.31	5.63	9.88	637	45.63	8.31	9.37	9.88	6.69	7.17	677	
CHFM20-6205DB	20	4	45.43	9.13	11.61	12.76	752	48.58	9.13	15.16	12.76	8.66	-	822	
CHFM2-6215DAY	2	4	36.22	5.63	3.94	6.30	706	38.66	5.63	6.38	6.30	4.53	4.49	717	
CHFM3-6215DAY	3	4	37.01	5.91	2.32	6.81	712	39.49	5.91	3.58	6.81	2.40	-	728	
CHFM5-6215DAY	5	4	37.91	6.54	5.00	8.35	734	40.75	6.54	7.83	8.35	5.20	6.18	756	
CHFM8-6215DAY	7.5	4	39.65	6.54	5.00	8.35	750	42.48	6.54	7.83	8.35	5.20	6.18	772	
CHFM10-6215DAY	10	4	40.55	8.31	5.63	9.88	783	44.29	8.31	9.37	9.88	6.69	7.17	822	
CHFM15-6215DAY	15	4	42.91	8.31	5.63	9.88	811	46.65	8.31	9.37	9.88	6.69	7.17	851	
CHFM20-6215DAY	20	4	46.46	9.13	11.61	12.76	926	50.00	9.13	15.16	12.76	8.66	-	999	
CHFM10-6215DBY	10	4	41.73	8.31	5.63	9.88	827	45.47	8.31	9.37	9.88	6.69	7.17	864	
CHFM15-6215DBY	15	4	44.09	8.31	5.63	9.88	858	47.83	8.31	9.37	9.88	6.69	7.17	895	
CHFM20-6215DBY	20	4	47.44	9.13	11.61	12.76	975	50.98	9.13	15.16	12.76	8.66	-	1047	
CHFM25-6215DBY	25	4	51.18	11.69	13.39	15.51	1131	59.45	11.69	21.65	15.51	14.45	-	1244	
CHFM30-6215DBY	30	4	51.18	11.69	13.39	15.51	1131	59.45	11.69	21.65	15.51	14.45	-	1244	
CHFM2-6225DAY	2	4	37.87	5.63	3.94	6.30	831	40.31	5.63	6.38	6.30	4.53	4.49	842	
CHFM3-6225DAY	3	4	38.66	5.91	2.32	6.81	838	41.14	5.91	3.58	6.81	2.40	-	853	
CHFM5-6225DAY	5	4	39.57	6.54	5.00	8.35	860	42.40	6.54	7.83	8.35	5.20	6.18	882	
CHFM8-6225DAY	7.5	4	41.30	6.54	5.00	8.35	875	44.13	6.54	7.83	8.35	5.20	6.18	897	
CHFM10-6225DAY	10	4	42.20	8.31	5.63	9.88	908	45.94	8.31	9.37	9.88	6.69	7.17	948	
CHFM15-6225DAY	15	4	44.57	8.31	5.63	9.88	939	48.31	8.31	9.37	9.88	6.69	7.17	979	
CHFM20-6225DAY	20	4	48.11	9.13	11.61	12.76	1054	51.65	9.13	15.16	12.76	8.66	-	1127	
CHFM10-6225DBY	10	4	44.29	8.31	5.63	9.88	1008	48.03	8.31	9.37	9.88	6.69	7.17	1047	
CHFM15-6225DBY	15	4	46.65	8.31	5.63	9.88	1039	50.39	8.31	9.37	9.88	6.69	7.17	1078	
CHFM20-6225DBY	20	4	49.80	9.13	11.61	12.76	1158	53.35	9.13	15.16	12.76	8.66	-	1230	
CHFM25-6225DBY	25	4	53.54	11.69	13.39	15.51	1308	61.81	11.69	21.65	15.51	14.45	-	1420	
CHFM30-6225DBY	30	4	53.54	11.69	13.39	15.51	1308	61.81	11.69	21.65	15.51	14.45	-	1420	
CHFM40-6225DBY	40	4	53.54	11.69	13.39	15.51	1345	61.81	11.69	21.65	15.51	14.57	-	1458	

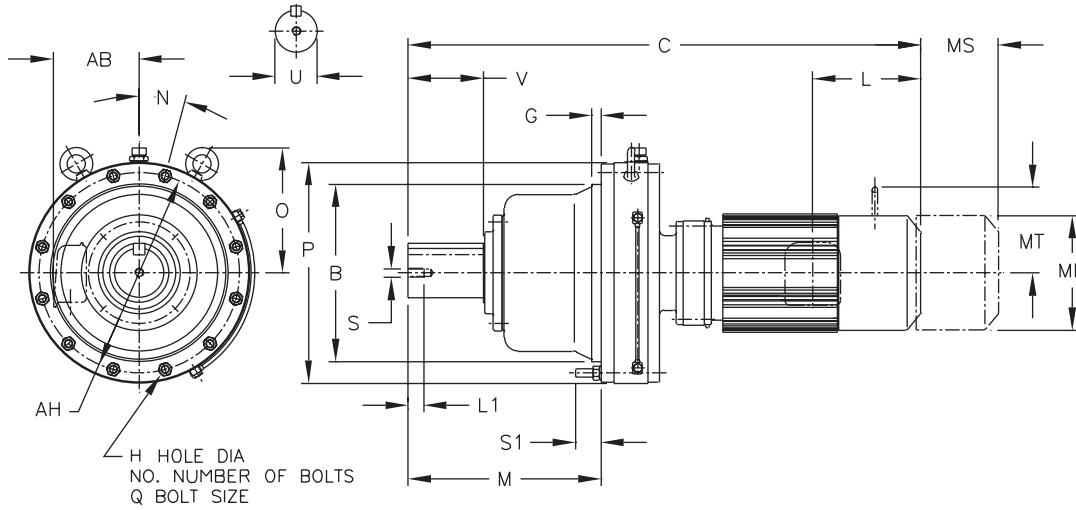
Gearmotors

Dimensions



Dimensions Integral F-Flange Mount

Double Reduction CHFМ-6235DAY ▶ 6265DAY



All dimensions are in inches

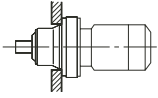
Model CHFМ	B	G	H	NO.	M	N	O	P	Q	S1	AH
6235DAY	17.9126 17.9110	0.79	0.87	12	19.88	15	13.82	22.17	M20	2.56	20.08
6235DBY	17.9126 17.9110	0.79	0.87	12	19.88	15	13.82	22.13	M20	2.56	20.08
6245DAY	19.6843 19.6827	0.98	1.06	12	20.83	15	15.55	24.17	M24	2.56	22.05
6245DBY	19.6843 19.6827	0.98	1.06	12	20.83	15	15.55	24.17	M24	2.56	22.05
6255DAY	21.2590 21.2572	1.18	1.06	12	24.25	15	15.20	26.38	M24	3.58	24.02
6255DBY	21.2590 21.2572	1.18	1.06	12	24.25	15	15.20	26.38	M24	3.58	24.02
6265DAY	22.4401 22.4383	1.57	1.34	12	28.03	15	17.83	28.98	M30	3.35	25.98

Dimensions

Model CHFМ	Low Speed Shaft				
	U*	V	S	L1	Key
6235DAY	5.000	7.87	1-8UNC	1.61	1-1/4 X 7/8 X 7.87
6235DBY	5.000	7.87	1-8UNC	1.61	1-1/4 X 7/8 X 7.87
6245DAY	5.500	7.87	1-8UNC	1.61	1-1/4 X 7/8 X 7.87
6245DBY	5.500	7.87	1-8UNC	1.61	1-1/4 X 7/8 X 7.87
6255DAY	6.250	9.45	1-1/4-7UNC	1.93	1-1/2 X 1 X 9.45
6255DBY	6.250	9.45	1-1/4-7UNC	1.93	1-1/2 X 1 X 9.45
6265DAY	6.625	11.81	1-1/4-7UNC	1.93	1-3/4 X 1-1/4 X 11.81

***Shaft Tolerances**

Shaft Nominal Diameter (inches)	Tolerances (inches)
3.250 (3 1/4) through 4.625 (4 5/8)	+0.0000/-0.0009
4.750 (4 3/4) through 7.000 (7)	+0.0000/-0.0010



Dimensions Integral F-Flange Mount

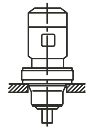
Double Reduction CHFM-6235DAY ▶ 6265DAY (cont.)

All dimensions are in inches

Model	Motor		Without Brake				Appx Wt (lb)	With Brake						Appx Wt (lb)
	HP	Pole	C	AB	L	MP		C	AB	L	MP	MS	MT	
CHFM3-6235DAY	3	4	42.05	5.91	2.32	6.81	1067	44.53	5.91	3.58	6.81	2.40	-	1080
CHFM5-6235DAY	5	4	42.95	6.54	5.00	8.35	1087	45.79	6.54	7.83	8.35	5.20	6.18	1109
CHFM8-6235DAY	7.5	4	44.69	6.54	5.00	8.35	1103	47.52	6.54	7.83	8.35	5.20	6.18	1125
CHFM10-6235DAY	10	4	45.79	8.31	5.63	9.88	1138	49.53	8.31	9.37	9.88	6.69	7.17	1175
CHFM15-6235DAY	15	4	48.15	8.31	5.63	9.88	1169	51.89	8.31	9.37	9.88	6.69	7.17	1206
CHFM20-6235DAY	20	4	51.50	9.13	11.61	12.76	1286	55.04	9.13	15.16	12.76	8.66	-	1358
CHFM25-6235DAY	25	4	55.24	11.69	13.39	15.51	1446	63.50	11.69	21.65	15.51	14.45	-	1559
CHFM30-6235DAY	30	4	55.24	11.69	13.39	15.51	1446	63.50	11.69	21.65	15.51	14.45	-	1559
CHFM40-6235DBY	40	4	56.10	11.69	13.39	15.51	1555	64.37	11.69	21.65	15.51	14.57	-	1649
CHFM50-6235DBY	50	4	60.63	11.69	16.93	15.51	1638	69.09	11.69	25.39	15.51	17.52	-	1852
CHFM3-6245DAY	3	4	43.54	5.91	2.32	6.81	1305	46.02	5.91	3.58	6.81	2.40	-	1319
CHFM5-6245DAY	5	4	44.45	6.54	5.00	8.35	1325	47.28	6.54	7.83	8.35	5.20	6.18	1347
CHFM8-6245DAY	7.5	4	46.18	6.54	5.00	8.35	1341	49.02	6.54	7.83	8.35	5.20	6.18	1363
CHFM10-6245DAY	10	4	47.28	8.31	5.63	9.88	1376	51.02	8.31	9.37	9.88	6.69	7.17	1413
CHFM15-6245DAY	15	4	49.65	8.31	5.63	9.88	1407	53.39	8.31	9.37	9.88	6.69	7.17	1444
CHFM20-6245DAY	20	4	52.99	9.13	11.61	12.76	1524	56.54	9.13	15.16	12.76	8.66	-	1596
CHFM25-6245DAY	25	4	56.73	11.69	13.39	15.51	1671	65.00	11.69	21.65	15.51	14.45	-	1784
CHFM30-6245DAY	30	4	56.73	11.69	13.39	15.51	1671	65.00	11.69	21.65	15.51	14.45	-	1784
CHFM20-6245DBY	20	4	53.82	9.13	11.61	12.76	1592	57.36	9.13	15.16	12.76	8.66	-	1654
CHFM30-6245DBY	30	4	57.56	11.69	13.39	15.51	1729	65.83	11.69	21.65	15.51	14.45	-	1841
CHFM40-6245DBY	40	4	57.56	11.69	13.39	15.51	1766	65.83	11.69	21.65	15.51	14.57	-	1861
CHFM50-6245DBY	50	4	62.09	11.69	16.93	15.51	1848	70.55	11.69	25.39	15.51	17.52	-	2062
CHFM5-6255DAY	5	4	50.55	6.54	5.00	8.35	1912	53.39	6.54	7.83	8.35	5.20	6.18	1934
CHFM8-6255DAY	7.5	4	52.28	6.54	5.00	8.35	1934	55.12	6.54	7.83	8.35	5.20	6.18	1956
CHFM10-6255DAY	10	4	52.99	8.31	5.63	9.88	1967	56.73	8.31	9.37	9.88	6.69	7.17	2000
CHFM15-6255DAY	15	4	55.35	8.31	5.63	9.88	2000	59.09	8.31	9.37	9.88	6.69	7.17	2033
CHFM20-6255DAY	20	4	58.50	9.13	11.61	12.76	2110	62.05	9.13	15.16	12.76	8.66	-	2187
CHFM25-6255DAY	25	4	62.24	11.69	13.39	15.51	2265	70.51	11.69	21.65	15.51	14.45	-	2377
CHFM30-6255DAY	30	4	62.24	11.69	13.39	15.51	2265	70.51	11.69	21.65	15.51	14.45	-	2377
CHFM40-6255DAY	40	4	62.24	11.69	13.39	15.51	2309	70.51	11.69	21.65	15.51	14.57	-	2403
CHFM25-6255DBY	25	4	63.11	11.69	13.39	15.51	2430	71.38	11.69	21.65	15.51	14.45	-	2542
CHFM30-6255DBY	30	4	63.11	11.69	13.39	15.51	2430	71.38	11.69	21.65	15.51	14.45	-	2542
CHFM40-6255DBY	40	4	63.11	11.69	13.39	15.51	2463	71.38	11.69	21.65	15.51	14.57	-	2558
CHFM50-6255DBY	50	4	67.64	11.69	16.93	15.51	2545	75.91	11.69	25.39	15.51	17.52	-	2758
CHFM60-6255DBY	60	4	67.64	11.69	16.93	15.51	2545	75.91	11.69	25.39	15.51	17.52	-	2758
CHFM8-6265DAY	7.5	4	58.27	6.54	5.00	8.35	2635	61.10	6.54	7.83	8.35	5.20	6.18	2657
CHFM10-6265DAY	10	4	58.78	8.31	5.63	9.88	2668	62.52	8.31	9.37	9.88	6.69	7.17	2712
CHFM15-6265DAY	15	4	61.14	8.31	5.63	9.88	2701	64.88	8.31	9.37	9.88	6.69	7.17	2734
CHFM20-6265DAY	20	4	63.70	9.13	11.61	12.76	2811	67.24	9.13	15.16	12.76	8.66	-	2889
CHFM25-6265DAY	25	4	67.44	11.69	13.39	15.51	2977	75.71	11.69	21.65	15.51	14.45	-	3076
CHFM30-6265DAY	30	4	67.44	11.69	13.39	15.51	2977	75.71	11.69	21.65	15.51	14.45	-	3076
CHFM40-6265DAY	40	4	67.44	11.69	13.39	15.51	3010	75.71	11.69	21.65	15.51	14.57	-	3105
CHFM50-6265DAY	50	4	71.97	11.69	16.93	15.51	3087	80.43	11.69	25.39	15.51	17.52	-	3301
CHFM60-6265DAY	60	4	71.97	11.69	16.93	15.51	3087	80.43	11.69	25.39	15.51	17.52	-	3301

Gearmotors

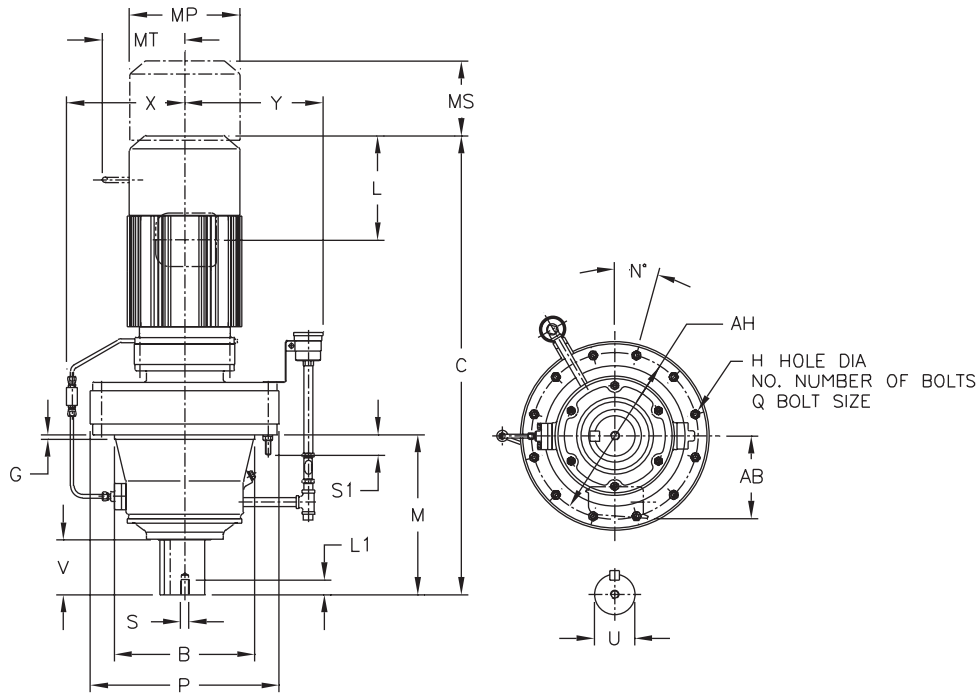
Dimensions



Dimensions Integral Vertical F-Flange Mount

Double Reduction

CVFM-6130/5DCY ▶ 6190/5DBY



All dimensions are in inches

Gearmotors

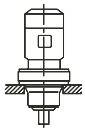
Dimensions

Model CVFM	B	C	G	H	NO.	M	N	P	Q	S1	AH	X	Y
6130/5DCY	6.4955 6.4945	14.53	0.63	0.43	6	7.01	60	9.06	M10	1.22	8.07	-	-
6140/5DBY	6.4955 6.4945	15.08	0.63	0.43	6	7.80	60	9.06	M10	1.22	8.07	-	-
6160/5DCY	7.8734 7.8723	18.19	0.39	0.55	6	8.74	30	11.81	M12	1.38	10.63	7.72	9.06
6170/5DCY	9.8419 9.8408	20.04	0.47	0.55	8	10.31	22.50	13.39	M12	1.61	11.81	8.58	10.24
6180/5DBY	11.0230 11.0217	22.72	0.47	0.55	8	11.77	22.50	14.57	M12	1.50	12.99	9.17	10.24
6190/5DAY	12.5977 12.5963	24.76	0.39	0.55	12	14.37	15	16.93	M12	1.61	14.96	10.04	10.24
6190/5DBY	12.5977 12.5963	25.71	0.39	0.55	12	14.37	15	16.93	M12	1.61	14.96	10.04	10.24

***Shaft Tolerances**

Shaft Nominal Diameter (inches)	Tolerances (inches)
1.250 (1 1/4) through 1.875 (1 7/8)	+0.0000/-0.0006
2.000 (2) through 3.125 (3 1/8)	+0.0000/-0.0007
3.250 (3 1/4) through 4.625 (4 5/8)	+0.0000/-0.0009

Model CVFM	U*	V	Low Speed Shaft		Key
			S	L1	
6130/5DCY	1.875	2.40	3/8-16UNC	0.71	1/2 X 1/2 X 2.16
6140/5DBY	1.875	3.19	3/8-16UNC	0.71	1/2 X 1/2 X 2.95
6160/5DCY	2.250	3.15	3/8-16UNC	0.71	1/2 X 1/2 X 2.95
6170/5DCY	2.750	3.31	1/2-13UNC	0.94	5/8 X 5/8 X 3.15
6180/5DBY	3.125	3.94	1/2-13UNC	0.94	3/4 X 3/4 X 3.74
6190/5DAY	3.625	4.92	3/4-10UNC	1.34	7/8 X 7/8 X 4.92
6190/5DBY	3.625	4.92	3/4-10UNC	1.34	7/8 X 7/8 X 4.92



Dimensions Integral Vertical F-Flange Mount

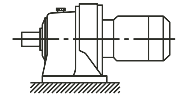
Double Reduction CVFM-6130/5DCY ▶ 6190/5DBY (cont.)

All dimensions are in inches

Model	Motor		C	Without Brake			MP	Appx Wt (lb)	With Brake						Appx Wt (lb)
	HP	Pole		AB	L	MP			C	AB	L	MP	MS	MT	
CVFM02-6130/5DCY	1/4	4	19.41	5.04	2.32	4.88	95	20.67	5.04	3.58	4.88	2.40	-	99	
CVFM03-6130/5DCY	1/3	4	19.41	5.04	2.32	4.88	95	20.67	5.04	3.58	4.88	2.40	-	99	
CVFM05-6130/5DCY	1/2	4	20.20	5.04	2.32	4.88	97	21.46	5.04	3.58	4.88	2.40	-	101	
CVFM08-6130/5DCY	3/4	4	21.81	5.43	3.82	5.83	106	23.50	5.43	5.51	5.83	3.66	4.17	112	
CVFM1-6130/5DCY	1	4	21.81	5.43	3.82	5.83	106	23.50	5.43	5.51	5.83	3.66	4.17	112	
CVFM1H-6130/5DCY	1.5	4	23.11	5.63	3.94	6.30	115	25.55	5.63	6.38	6.30	4.53	4.49	126	
CVFM2-6130/5DCY	2	4	23.11	5.63	3.94	6.30	115	25.55	5.63	6.38	6.30	4.53	4.49	126	
CVFM3-6130/5DCY	3	4	23.90	5.91	4.13	6.81	123	26.38	5.91	6.61	6.81	4.76	4.88	137	
CVFM01-6140/5DBY	1/8	4	17.99	5.04	1.38	4.69	88	19.37	5.04	2.76	4.88	1.93	-	93	
CVFM02-6140/5DBY	1/4	4	19.65	5.04	2.32	4.88	90	20.91	5.04	3.58	4.88	2.40	-	95	
CVFM03-6140/5DBY	1/3	4	19.65	5.04	2.32	4.88	90	20.91	5.04	3.58	4.88	2.40	-	95	
CVFM05-6140/5DBY	1/2	4	20.43	5.04	2.32	4.88	93	21.69	5.04	3.58	4.88	2.40	-	101	
CVFM08-6140/5DBY	3/4	4	22.05	5.43	3.82	5.83	101	23.74	5.43	5.51	5.83	3.66	4.17	108	
CVFM1-6140/5DBY	1	4	22.05	5.43	3.82	5.83	101	23.74	5.43	5.51	5.83	3.66	4.17	108	
CVFM1H-6140/5DBY	1.5	4	23.35	5.63	3.94	6.30	110	25.79	5.63	6.38	6.30	4.53	4.49	117	
CVFM2-6140/5DBY	2	4	23.35	5.63	3.94	6.30	110	25.79	5.63	6.38	6.30	4.53	4.49	117	
CVFM05-6160/5DCY	1/2	4	23.07	5.04	2.32	4.88	176	24.49	5.04	3.58	4.88	2.40	-	181	
CVFM08-6160/5DCY	3/4	4	24.65	5.43	3.82	5.83	185	26.34	5.43	5.51	5.83	3.66	4.17	192	
CVFM1-6160/5DCY	1	4	24.65	5.43	3.82	5.83	185	26.34	5.43	5.51	5.83	3.66	4.17	192	
CVFM1H-6160/5DCY	1.5	4	25.94	5.63	3.94	6.30	194	28.39	5.63	6.38	6.30	4.53	4.49	205	
CVFM2-6160/5DCY	2	4	25.94	5.63	3.94	6.30	194	28.39	5.63	6.38	6.30	4.53	4.49	205	
CVFM3-6160/5DCY	3	4	26.73	5.91	4.13	6.81	203	29.21	5.91	6.61	6.81	4.76	4.88	218	
CVFM5-6160/5DCY	5	4	27.64	6.54	5.00	8.35	225	30.47	6.54	7.83	8.35	5.20	6.18	247	
CVFM8-6160/5DCY	7.5	4	29.37	6.54	5.00	8.35	240	32.20	6.54	7.83	8.35	5.20	6.18	262	
CVFM05-6170/5DCY	1/2	4	24.92	5.04	2.32	4.88	229	26.34	5.04	3.58	4.88	2.40	-	234	
CVFM08-6170/5DCY	3/4	4	26.50	5.43	3.82	5.83	238	28.19	5.43	5.51	5.83	3.66	4.17	245	
CVFM1-6170/5DCY	1	4	26.50	5.43	3.82	5.83	238	28.19	5.43	5.51	5.83	3.66	4.17	245	
CVFM1H-6170/5DCY	1.5	4	27.80	5.63	3.94	6.30	247	30.24	5.63	6.38	6.30	4.53	4.49	258	
CVFM2-6170/5DCY	2	4	27.80	5.63	3.94	6.30	247	30.24	5.63	6.38	6.30	4.53	4.49	258	
CVFM3-6170/5DCY	3	4	28.58	5.91	4.13	6.81	256	31.06	5.91	6.61	6.81	4.76	4.88	271	
CVFM5-6170/5DCY	5	4	29.49	6.54	5.00	8.35	278	32.32	6.54	7.83	8.35	5.20	6.18	300	
CVFM8-6170/5DCY	7.5	4	31.22	6.54	5.00	8.35	293	34.06	6.54	7.83	8.35	5.20	6.18	315	
CVFM1-6180/5DBY	1	4	28.86	5.43	3.82	5.83	340	30.55	5.43	5.51	5.83	3.66	4.17	346	
CVFM1H-6180/5DBY	1.5	4	30.16	5.63	3.94	6.30	348	32.60	5.63	6.38	6.30	4.53	4.49	359	
CVFM2-6180/5DBY	2	4	30.16	5.63	3.94	6.30	348	32.60	5.63	6.38	6.30	4.53	4.49	359	
CVFM3-6180/5DBY	3	4	30.94	5.91	4.13	6.81	355	33.43	5.91	6.61	6.81	4.76	4.88	370	
CVFM5-6180/5DBY	5	4	31.85	6.54	5.00	8.35	377	34.69	6.54	7.83	8.35	5.20	6.18	399	
CVFM8-6180/5DBY	7.5	4	33.58	6.54	5.00	8.35	392	36.42	6.54	7.83	8.35	5.20	6.18	415	
CVFM10-6180/5DBY	10	4	34.49	8.31	5.63	9.88	426	38.23	8.31	9.37	9.88	6.69	7.17	465	
CVFM15-6180/5DBY	15	4	36.85	8.31	5.63	9.88	456	40.59	8.31	9.37	9.88	6.69	7.17	496	
CVFM1-6190/5DAY	1	4	31.22	5.43	3.82	5.83	441	32.91	5.43	5.51	5.83	3.66	4.17	448	
CVFM1H-6190/5DAY	1.5	4	32.52	5.63	3.94	6.30	450	34.96	5.63	6.38	6.30	4.53	4.49	461	
CVFM2-6190/5DAY	2	4	32.52	5.63	3.94	6.30	450	34.96	5.63	6.38	6.30	4.53	4.49	461	
CVFM3-6190/5DAY	3	4	33.31	5.91	4.13	6.81	459	35.79	5.91	6.61	6.81	4.76	4.88	474	
CVFM5-6190/5DAY	5	4	34.21	6.54	5.00	8.35	481	37.05	6.54	7.83	8.35	5.20	6.18	503	
CVFM8-6190/5DAY	7.5	4	35.94	6.54	5.00	8.35	496	38.78	6.54	7.83	8.35	5.20	6.18	518	
CVFM5-6190/5DBY	5	4	34.84	6.54	5.00	8.35	496	37.68	6.54	7.83	8.35	5.20	6.18	518	
CVFM8-6190/5DBY	7.5	4	36.57	6.54	5.00	8.35	512	39.41	6.54	7.83	8.35	5.20	6.18	534	
CVFM10-6190/5DBY	10	4	37.48	8.31	5.63	9.88	545	41.22	8.31	9.37	9.88	6.69	7.17	584	
CVFM15-6190/5DBY	15	4	39.84	8.31	5.63	9.88	576	43.58	8.31	9.37	9.88	6.69	7.17	615	
CVFM20-6190/5DBY	20	4	43.39	9.13	11.61	12.76	690	46.93	9.13	15.16	12.76	8.66	-	763	

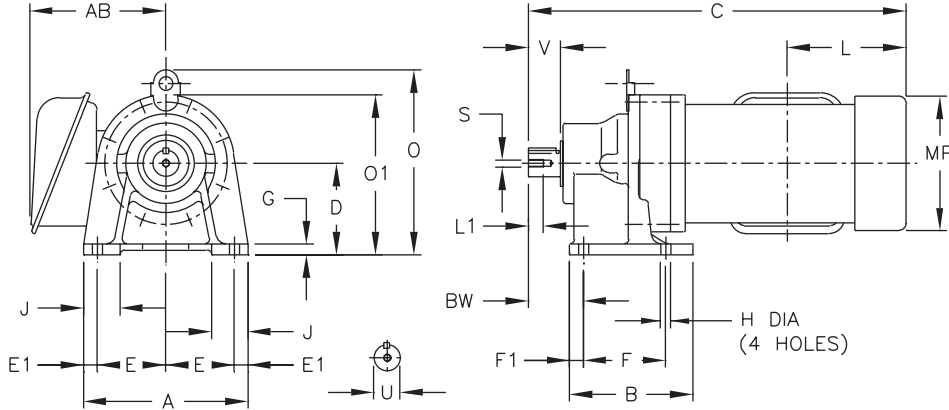
Gearmotors

Dimensions



Dimensions Single Phase, Integral Foot Mount

Single Reduction CNHM-6065Y-SG ▶ 6120/5Y-SG



***Shaft Tolerances**

Shaft Nominal Diameter (inches)	Tolerances (inches)
0.500 (1/2) through 0.625 (5/8)	+0.0000/-0.0004
0.750 (3/4) through 1.125 (1 1/8)	+0.0000/-0.0005
1.250 (1 1/4) through 1.875 (1 7/8)	+0.0000/-0.0006

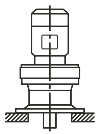
All dimensions are in inches

Model CNHM	A	B	D	E	E1	F	F1	G	H	J	O	O1	P	BW
6065Y-SG	5.67	3.31	3.15	2.36	0.47	2.36	0.47	0.39	0.35	1.38	-	5.31	4.33	1.61
6075Y-SG	5.67	3.31	3.15	2.36	0.47	2.36	0.47	0.39	0.35	1.38	-	5.31	4.33	1.85
6090/5Y-SG	7.09	5.31	3.94	2.95	0.59	3.54	0.59	0.47	0.43	1.57	-	6.89	5.91	2.36
6100/5Y-SG	7.09	5.31	3.94	2.95	0.59	3.54	0.59	0.47	0.43	1.57	8.15	-	5.91	2.36
6120/5Y-SG	9.06	6.10	4.72	3.74	0.79	4.53	0.79	0.59	0.55	2.17	10.12	-	8.03	3.23

Model CNHM	U*	V	Low Speed Shaft		Key
			S	L1	
6065Y-SG	0.500	0.98	10-32UNF	0.63	1/8 X 1/8 X 0.79
6075Y-SG	0.750	1.18	12-28UNF	0.63	3/16 X 3/16 X 1.06
6090/5Y-SG	1.125	1.38	5/16-18UNC	0.79	1/4 X 1/4 X 1.18
6100/5Y-SG	1.125	1.38	5/16-18UNC	0.79	1/4 X 1/4 X 1.18
6120/5Y-SG	1.500	2.17	5/16-18UNC	0.79	3/8 X 3/8 X 1.77

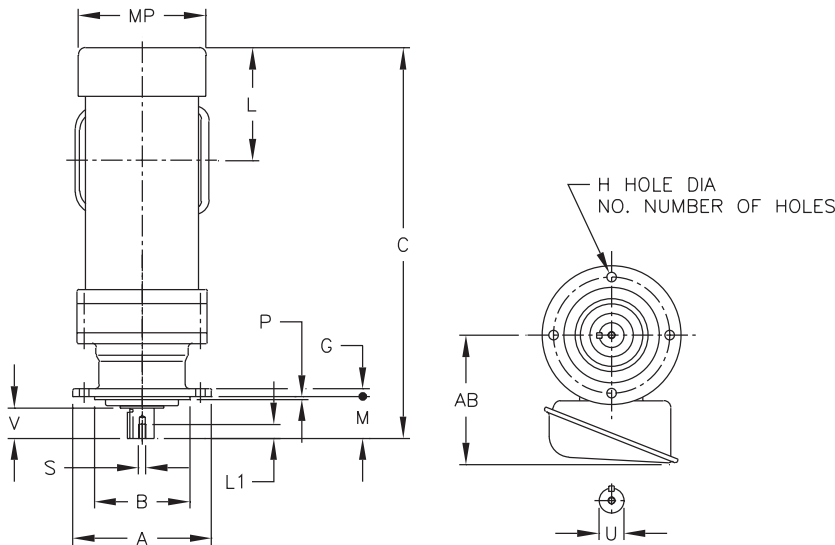
Model CNHM	Motor HP	C	MP	AB	Appx. Wt (lb)
6065Y-SG	1/8	13.42	6.02	5.79	30
	1/4				
6075Y-SG	1/8	13.66	6.02	5.79	32
	1/4				
	1/3 1/2				
6090/5Y-SG	1/8	15.79	6.02	5.79	46
	1/4				
	1/3				
	1/2				
	3/4 1				
6100/5Y-SG	1/3	17.76	6.02	5.79	52
	1/2				
	3/4 1				
6120/5Y-SG	3/4 1	18.63	7.83	6.50	94

Gearmotors
Dimensions



Dimensions Single Phase, Integral Universal V-Flange

Single Reduction CNVM-6065Y-SG ▶ 6120/5Y-SG



All dimensions are in inches

Model CNVM	A	B	G	H	NO.	M	P	AH
6065Y-SG	4.72	3.1484 3.1466	0.31	0.35	6	1.34	0.12	4.02
6075Y-SG	6.30	4.3293 4.3272	0.35	0.43	4	1.65	0.12	5.28
6090/5Y-SG	6.30	4.3293 4.3272	0.35	0.43	4	1.89	0.12	5.28
6100/5Y-SG	6.30	4.3293 4.3272	0.35	0.43	4	1.89	0.12	5.28
6120/5Y-SG	8.27	5.5101 5.5076	0.51	0.43	6	2.72	0.16	7.09

***Shaft Tolerances**

Shaft Nominal Diameter (inches)	Tolerances (inches)
0.500 (1/2) through 0.625 (5/8)	+0.0000/-0.0004
0.750 (3/4) through 1.125 (1 1/8)	+0.0000/-0.0005
1.250 (1 1/4) through 1.875 (1 7/8)	+0.0000/-0.0006

Model CNVM	Low Speed Shaft				Key
	U*	V	S	L1	
6065Y-SG	0.500	0.98	10-32UNF	0.63	1/8 X 1/8 X 0.79
6075Y-SG	0.750	1.18	12-28UNF	0.63	3/16 X 3/16 X 1.06
6090/5Y-SG	1.125	1.38	5/16-18UNC	0.79	1/4 X 1/4 X 1.18
6100/5Y-SG	1.125	1.38	5/16-18UNC	0.79	1/4 X 1/4 X 1.18
6120/5Y-SG	1.500	2.17	5/16-18UNC	0.79	3/8 X 3/8 X 1.77

Model CNVM	Motor HP	C	MP	AB	Appx. Wt (lb)
6065YA-SG	1/8	13.42	6.02	5.79	27
	1/4				
6075YA-SG	1/8	13.66	6.02	5.79	31
	1/4				
	1/3				
6090/5YA-SG	1/2	15.08	6.02	5.79	36
	1/8	15.79	6.02	5.79	41
	1/4				
	1/3	17.20	6.02	5.79	48
1/2	17.25	7.83	6.38	67	
6100/5YA-SG	1	17.76	6.02	5.79	55
	1/3				
	1/2				
6120/5YA-SG	3/4	17.80	7.83	6.50	74
	1				
6120/5YA-SG	3/4	18.63	7.83	6.50	94
	1				

Gearmotors

Dimensions

This page intentionally left blank.

5

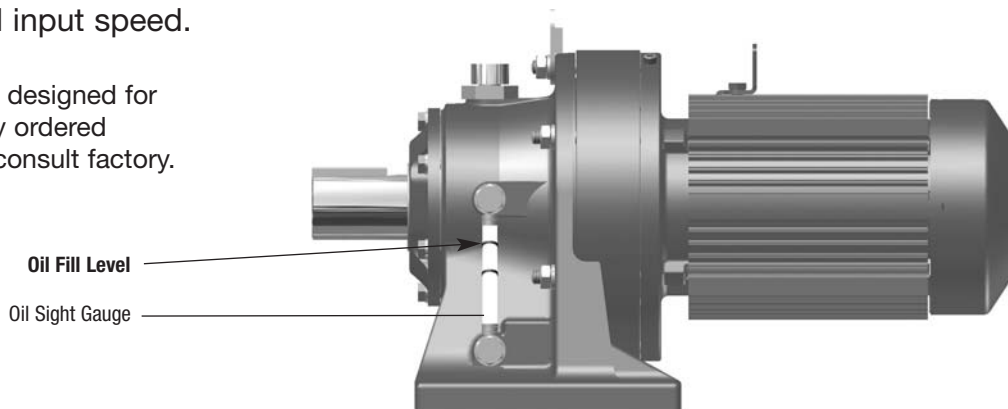
Technical Information

Lubrication

Cyclo® Gearmotors are either Grease lubricated or Oil lubricated. Refer to pages 5.3 and 5.4 to determine the unit lubrication type.

- **Grease lubricated** gearmotors are filled with grease prior to shipment and are ready for installation and operation
- **Oil lubricated** gearmotors must be filled with the proper amount of approved oil before installation and operation
- **Lubrication methods** (grease or oil) are specified for Cyclo® driven at standard input speed.

NOTE: Some models normally designed for oil lubrication may be specially ordered for grease lubrication; please consult factory.



Approved Greases

Grease lubricated gearmotors are filled with grease prior to shipment and are ready for installation and operation. This information is provided for maintenance purposes.

Ambient Temperature		Cyclo®	Planetary
°F	°C	Shell Oil	Shell Oil
14 to 122	-10 to 50	Shell Alvania® Grease 2 (NLGI Grade #2)	Shell Alvania® EP (NLGI Grade #0)



When the Cyclo® gearmotor will be used under widely fluctuating temperatures or ambient temperatures (other than those listed here) or any other special conditions, consult the factory.

Approved Oils

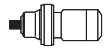
Oil lubricated gearmotors must be filled with oil prior to operation. Fill the gearmotor to the correct level with the recommended oil.

Ambient Temperature		Gulf Oil	Exxon Oil	Mobil Oil	Shell Oil	BP Oil
°F	°C					
14 to 41	-10 to 5	EP Lubricant HD 68	Spartan® EP 68	Mobilgear® 626 (ISO VG 68)	Omala® Oil 68	Energol® GR-XP 68
32 to 95	0 to 35	EP Lubricant HD 100, HD 150	Spartan® EP 100, EP 150	Mobilgear® 627, 629 (ISO VG 100, 150)	Omala® Oil 100, 150	Energol® GR-XP 100, GR-XP 150
86 to 122	30 to 50	EP Lubricant HD 220, HD 320, HD 460	Spartan® EP 220, EP 320, EP 460	Mobilgear® 630, 632, 633, 634 (ISO VG 220-460)	Omala® Oil 220, 320, 460	Energol® GR-XP 220, GR-XP 320, GR-XP 460

For use in winter or relatively low ambient temperatures, use the lower viscosity oil specified for each ambient temperature range.

For consistent use in ambient temperatures outside of the range 32°F to 104°F (0°C to 40°C), consult factory.

HORIZONTAL Mounted Gearmotor • SINGLE Reduction • Frame Sizes 6060 to 6275



Frame Size	Reduction Ratio																	
	3	5	6	8	11	13	15	17	21	25	29	35	43	51	59	71	87	119
6060, 6065 6070, 6075 6080, 6085 6090, 6095 6100, 6105, 610H 6110, 6115 6120, 6125, 612H	Grease		Maintenance Free Grease															
6130, 6135 6140, 6145, 614H 6160, 6165, 616H 6170, 6175 6180, 6185 6190, 6195 6205 6215 6225 6235 6245 6255 6265 6275	Oil																	

HORIZONTAL Mounted Gearmotor • DOUBLE Reduction • Frame Sizes 6060DA to 6275DA



Frame Size	Reduction Ratio																									
	104	121	143	165	195	231	273	319	377	473	559	649	731	841	1003	1015	1247	1479	1849	2065	2537	3045	3481	4437	5133	6177
6060DA, 6065DA 6070DA, 6075DA 6090DA, 6095DA 6100DA, 6105DA 6120DA, 6120DB 6125DA, 6125DB	Maintenance Free Grease																									
6130DA, 6135DA 6130DB, 6135DB 6130DC, 6135DC 6140DA, 6140DB, 6140DC 6145DA, 6145DB, 6145DC 6160DA, 6165DA 6160DB, 6165DB 6170DA, 6175DA 6170DB, 6175DB 6180DA, 6185DA	Grease																									
6160DC, 6165DC 6170DC, 6175DC 6180DB, 6185DB 6190DA, 6195DA 6190DB, 6195DB 6205DA, 6205DB 6215DA, 6215DB 6225DA, 6225DB 6235DA, 6235DB 6245DA, 6245DB 6255DA, 6255DB 6265DA 6275DA	Oil																									

Lubrication

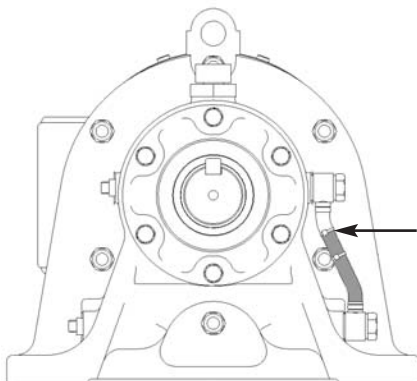
Oil Fill Quantities

Single Reduction			Double Reduction		
Frame Size	Mounting Configuration		Frame Size	Mounting Configuration	
	Horizontal ^[1] U.S. gal.	Vertical ^[1] U.S. gal.		Horizontal ^[1] U.S. gal.	Vertical ^[1] U.S. gal.
6130, 6135	0.18	0.29	6160DC, 6165DC	0.40	0.26
6140, 6145, 614H	0.18	0.29	6170DC, 6175DC	0.63	0.50
6160, 6165, 616H	0.37	0.26	6180DB, 6185DB	0.92	0.53
6170, 6175	0.50	0.50	6190DA, 6195DA	1.5	0.71
6180, 6185	0.66	0.53	6190DB, 6195DB	1.6	0.71
6190, 6195	1.1	0.71	6205DA, 6205DB	1.6	2.9
6205	1.5	1.5	6215DA, 6215DB	2.6	3.7
6215	2.2	2.0	6225DA, 6225DB	2.9	4.8
6225	2.6	2.6	6235DA, 6235DB	4.5	6.1
6235	4.0	3.2	6245DA, 6245DB	4.8	7.7
6245	4.2	4.0	6255DA, 6255DB	6.1	11.1
6255	5.5	11.1	6265DA	8.5	13.5
6265	7.7	13.5	6275DA	15.9	(15.9)
6275	14.8	(15.9)			

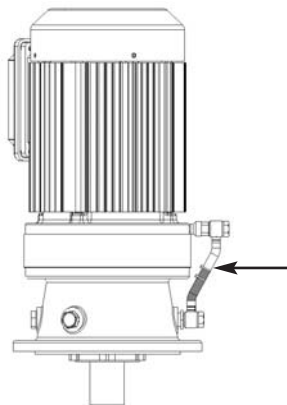
() With trochoid pump

Note: [1] Please consult factory for oil quantities when the reducer is mounted in any other position or angle

Oil Fill Level

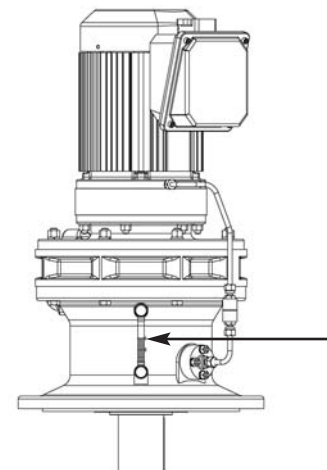


Horizontal



Vertical

Sizes 6130/5 and 6140/5 only



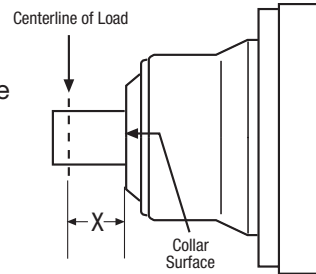
Vertical

Overhung Loads • Slow Speed Shaft

Overhung Loads are loads that act perpendicular to the gearmotor shaft. Each gearmotor has a maximum allowable overhung load (OHL) capacity, which is shown in the Frame Size Selection Tables for each gearmotor. In applications with an OHL, it is critical that the OHL is calculated and that the chosen gearmotor is adequately sized for the maximum OHL.

How to Calculate Overhung Load (OHL)

Step 1. **Measure distance X** from gearmotor collar surface to the centerline of the OHL.



Step 2. **Determine Lf (Load Location Factor)** for your chosen Frame Size, using **Load Location Factor Table** on the next page.

Step 3. **Determine Cf (Connection Factor) and Sf (Shock Factor)** from the tables below:

Load Connection Factor (Cf)		Service Factor (Sf)	
CONNECTION TYPE	FACTOR	DEGREE OF SHOCK	FACTOR
General Purpose Chain	1.0	Steady Loads	1.0
Machined Gear or Synchronous Belt	1.25	Moderate Shock	1.3
V-Belt	1.5	Heavy Shock	1.6
Flat Belt	2.5		

Step 4. **Apply Lf, Cf and Sf to the formula** to calculate the OHL.

EXAMPLE: Known HP = Power Transmitted by shaft (HP) $\frac{126,000 \times \text{HP} \times L_f \times C_f \times S_f}{D \times N} = \text{Calculated OHL}$

 Known D = Pitch Diameter of sprocket (inches)

 Known N = Shaft Speed (RPM)

Step 5. **Refer back to the Frame Size Selection Tables** (pp. 3.1–3.32) to determine maximum allowable OHL capacity for the selected Frame Size.

If the calculated OHL **does not** exceed the OHL capacity (from Selection Table), the selected Frame Size is acceptable.



If the calculated OHL exceeds the OHL capacity, there are two standard options that can increase the OHL capacity of a reducer:

- High Capacity Bearings Option–R1 (Table on pg. 5.8)
- Ductile Iron Housing & High Capacity Bearings Option–R2 (Table on pg. 5.9)

If neither of these options adequately increase the OHL capacity:

1. Choose the next larger Frame Size, or
2. Move the OHL closer to the collar surface, or
3. Decrease the OHL by increasing the pitch diameter of the connecting drive.

Be sure to recalculate and verify the OHL capacity for the new frame size.

Overhung Loads, Slow Speed Shaft continued

Load Location Factors (Lf), Slow Speed Shaft

Frame Size		X (inches)																			
Single Reduction	Double Reduction	1/4	1/2	3/4	1	1 1/4	1 1/2	1 3/4	2	2 1/2	3	3 1/2	4	4 1/2	5	6	7	8	9	10	11
6060, 6065	6060DA, 6065DA	0.86	1.08	1.49	—	—	—	—	—	—	—	—	—	—	—	—	—	—	—	—	—
6070, 6075	6070DA, 6075DA	0.85	0.96	1.23	1.61	—	—	—	—	—	—	—	—	—	—	—	—	—	—	—	—
6080, 6085	—	0.83	0.91	1.01	1.30	1.63	—	—	—	—	—	—	—	—	—	—	—	—	—	—	—
6090, 6095	6090DA, 6095DA	0.88	0.95	1.10	1.40	1.73	—	—	—	—	—	—	—	—	—	—	—	—	—	—	—
6100 6105 610H	6100DA, 6105DA	0.88	0.95	1.10	1.40	1.73	—	—	—	—	—	—	—	—	—	—	—	—	—	—	—
6110, 6115	—	0.80	0.87	0.95	1.02	1.12	1.30	1.51	—	—	—	—	—	—	—	—	—	—	—	—	—
6120, 6125 612H	6120DA, 6120DB 6125DA, 6125DB	—	0.85	0.91	0.98	1.14	1.36	1.57	—	—	—	—	—	—	—	—	—	—	—	—	—
6130 6135	6130DA, 6130DB 6130DC, 6135DA 6135DB, 6135DC	—	—	0.86	0.92	0.97	1.08	1.24	1.40	1.72	—	—	—	—	—	—	—	—	—	—	—
6140 6145 614H	6140DA, 6140DB 6140DC, 6145DA 6145DB, 6145DC	—	—	—	0.74	0.82	0.91	0.99	1.12	1.37	1.62	1.88	—	—	—	—	—	—	—	—	—
6160 6165 616H	6160DA, 6160DB 6160DC, 6165DA 6165DB, 6165DC	—	—	—	0.87	0.91	0.95	1.00	1.13	1.39	1.67	1.94	—	—	—	—	—	—	—	—	—
6170 6175	6170DA, 6170DB 6170DC, 6175DA	—	—	—	0.89	0.93	0.96	1.00	1.13	1.39	1.67	1.94	—	—	—	—	—	—	—	—	—
6180 6185	6180DA, 6180DB 6185DA, 6185DB	—	—	—	0.85	0.88	0.92	0.95	0.99	1.15	1.37	1.58	—	—	—	—	—	—	—	—	—
6190 6195	6190DA, 6190DB 6195DA, 6195DB	—	—	—	—	0.86	0.88	0.91	0.93	0.99	1.13	1.30	1.48	1.67	—	—	—	—	—	—	—
6205	6205DA, 6205DB	—	—	—	—	—	—	0.74	0.78	0.86	0.95	1.04	1.13	1.22	1.31	1.49	—	—	—	—	—
6215	6215DA, 6215DB	—	—	—	—	—	—	0.73	0.78	0.86	0.95	1.04	1.14	1.23	1.32	1.50	—	—	—	—	—
6225	6225DA, 6225DB	—	—	—	—	—	—	0.88	0.90	0.94	0.98	1.02	1.06	1.10	1.14	1.23	—	—	—	—	—
6235	6235DA, 6235DB	—	—	—	—	—	—	0.84	0.85	0.89	0.93	0.97	1.00	1.04	1.08	1.16	1.23	—	—	—	—
6245	6245DA, 6245DB	—	—	—	—	—	—	0.84	0.86	0.90	0.93	0.97	1.00	1.04	1.08	1.15	1.22	—	—	—	—
6255	6255DA, 6255DB	—	—	—	—	—	—	—	0.83	0.86	0.89	0.93	0.95	0.99	1.02	1.08	1.21	1.38	1.54	—	—
6265	6265DA	—	—	—	—	—	—	—	—	—	0.84	0.88	0.90	0.93	0.95	1.02	1.16	1.31	1.47	1.64	1.80
6275	6275DA	—	—	—	—	—	—	—	—	—	—	0.71	0.76	0.80	0.85	0.95	1.08	1.23	1.37	1.52	1.67

Overhung Loads

EXAMPLE

A uniformly loaded belt conveyor requiring **5 HP** is to be driven **8 hours/day** by a Cyclo® gearmotor, **size 6135, ratio 29:1, 60 RPM** output using a **9.84 pitch diameter sprocket** on the slow speed shaft. **Centerline of the load (X) is 1.5** from the collar surface.

Procedure: 1. Calculate the overhung load with Cf = 1.0 (from Step 3, pg. 5.6), Lf = 1.08 (from Step 3, pg. 5.6).

$$\text{Overhung Load} = \frac{126,000 \times 5 \times 1.0 \times 1.08 \times 1.0}{9.84 \times 60} = 1152 \text{ lbs.}$$

2. In the Selection Tables (pages 3.1–3.58), check the overhung load capacity of the 6135, 29:1 with the 1750 RPM input speed. Allowable Overhung Load for the 6135 is 2125 lbs. Since the allowable overhung load of the 6135 is larger than the calculated overhung load of 1152 lbs., the application is satisfactory.

Overhung Loads, Slow Speed Shaft continued

High Capacity Bearings Option

Type R1

Slow Speed Shaft Overhung Load Capacity (lbs.)

Frame Size		Output Shaft Speed (RPM)							
Single Reduction	Double Reduction	10 & Below	15	20	25	30	35	40	50
6130, 6135	6130DA, 6130DB 6130DC, 6135DA 6135DB, 6135DC	3305	3305	3305	3305	3305	3305	3305	3305
6160 6165 616H	6160DA, 6160DB 6160DC, 6165DA 6165DB, 6165DC	4969	4969	4969	4969	4969	4969	4969	4969
6170 6175	6170DA, 6170DB 6170DC, 6175DA 6175DB, 6175DC	6632	6632	6632	6632	6632	6632	6632	6632
6180 6185	6180DA, 6180DB 6185DA, 6185DB	9375	9375	9375	9375	9375	9375	9375	9375
6190 6195	6190DA, 6190DB 6195DA, 6195DB	13264	13264	13264	13264	13264	13264	13264	12410

Frame Size		Output Shaft Speed (RPM)							
Single Reduction	Double Reduction	60	80	100	125	150	200	250	300
6130, 6135	6130DA, 6130DB 6130DC, 6135DA 6135DB, 6135DC	3305	3170	3035	2833	2675	2451	2293	2172
6160 6165 616H	6160DA, 6160DB 6160DC, 6165DA 6165DB, 6165DC	4969	4969	4856	4519	4272	3934	3665	3462
6170 6175	6170DA, 6170DB 6170DC, 6175DA 6175DB, 6175DC	6632	6632	6587	6160	5823	5351	4991	4744
6180 6185	6180DA, 6180DB 6185DA, 6185DB	9375	9285	8678	8138	7689	7059	—	—
6190 6195	6190DA, 6190DB 6195DA, 6195DB	11915	10612	9892	9218	8611	7801	—	—

Overhung Loads, Slow Speed Shaft continued

Ductile Iron Housing and High Capacity Bearings Option

Type R2

Slow Speed Shaft Overhung Load Capacity (lbs.)

Frame Size		Output Shaft Speed (RPM)									
Single Reduction	Double Reduction	4 & Below	5	6	8	10	15	20	25	30	35
6130, 6135	6130DA, 6130DB 6130DC, 6135DA 6135DB, 6135DC	5396	5396	5396	5396	5396	5351	4901	4586	4339	4137
6160 6165 616H	6160DA, 6160DB 6160DC, 6165DA 6165DB, 6165DC	7554	7554	7554	7554	7554	7554	7554	7487	7082	6767
6170 6175	6170DA, 6170DB 6170DC, 6175DA 6175DB, 6175DC	10319	10319	10319	10319	10319	10319	10319	10184	9645	9195
6180 6185	6180DA, 6180DB 6185DA, 6185DB	12522	12522	12522	12522	12522	12522	12522	12522	12522	12140
6190 6195	6190DA, 6190DB 6195DA, 6195DB	16142	16142	16142	16142	16142	16142	16142	16142	15580	14861
6205	6205DA, 6205DB	21987	21987	21987	21987	21987	20031	18390	17199	16277	15535
6215	6215DA, 6215DB	29860	28327	26754	24505	22932	20346	18660	17446	16524	15760
6225	6225DA, 6225DB	36196	35072	33273	30351	28327	25180	23156	21650	20479	19559
6235	6235DA, 6235DB	41142	41142	41142	38219	35746	31700	29002	27203	25629	24505
6245	6245DA, 6245DB	50135	46987	44514	40692	37995	33723	31025	29002	27428	26079
6255	6255DA, 6255DB	61601	58004	54856	50360	47212	41592	38219	35746	33948	32374
6265	6265DA	63624	63624	63624	60701	56879	50360	46088	42941	40692	39119
6275	6275DA	61151	61151	61151	61151	61151	61151	61151	61151	61151	—

Frame Size		Output Shaft Speed (RPM)									
Single Reduction	Double Reduction	40	50	60	80	100	125	150	200	250	300
6130, 6135	6130DA, 6130DB 6130DC, 6135DA 6135DB, 6135DC	4002	3710	3507	3237	3035	2833	2675	2451	2293	2172
6160 6165 616H	6160DA, 6160DB 6160DC, 6165DA 6165DB, 6165DC	6497	6070	5755	5283	4946	4609	4362	4024	3732	3462
6170 6175	6170DA, 6170DB 6170DC, 6175DA 6175DB, 6175DC	8835	8273	7824	7172	6722	6272	5935	5463	4991	4744
6180 6185	6180DA, 6180DB 6185DA, 6185DB	11668	10904	10319	9465	8858	8296	7846	7194	—	—
6190 6195	6190DA, 6190DB 6195DA, 6195DB	14276	13354	12657	11601	10859	10139	9622	8835	—	—
6205	6205DA, 6205DB	14928	13961	13219	12140	11353	10589	10027	9218	—	—
6215	6215DA, 6215DB	15153	14164	13399	12320	11533	10769	10207	9353	—	—
6225	6225DA, 6225DB	18772	17558	16637	15265	14276	13354	12657	11578	—	—
6235	6235DA, 6235DB	23606	22055	20886	19177	17941	16749	—	—	—	—
6245	6245DA, 6245DB	25180	23606	22235	20414	19087	17851	—	—	—	—
6255	6255DA, 6255DB	31250	29002	27653	25180	23606	22100	—	—	—	—
6265	6265DA	37320	35072	33273	30351	28327	26529	—	—	—	—
6275	6275DA	—	—	—	—	—	—	—	—	—	—

Indicates ductile iron housing and high capacity bearing is standard

Axial Loads

Axial Loads are loads that act parallel to the gearmotor shaft. Each gearmotor has a maximum allowable axial load capacity, which is shown in table below. When the maximum allowable axial load exceeds the capacity shown in the table, the next larger frame size should be chosen.

How to Calculate Axial Loads

When axial and overhung loads are combined to act on the Slow Speed Shaft, this formula is used to determine if the combined loading is acceptable for the selected Cyclo® gearmotor.

$$\left(\frac{Pr \cdot Lf}{Pro} + \frac{Pa}{Pao} \right) \cdot Cf \cdot Sf \leq 1$$

- Pr = Actual Overhung Load
- Lf = Load Location Factor
- Pro = Allowable Overhung Load
- Pa = Actual Axial Load (lbs.)
- Pao = Allowable Axial Load (lbs.)
- Cf = Coupling Factor
- Sf = Service Factor



If the calculated loads exceed the limits shown in Slow Speed Shaft Axial Load Capacity Table below:

1. Decrease the OHL by moving the load closer to the shaft collar or by increasing the pitch diameter of the connecting device,
- or
2. Select the next larger frame size. Repeat the Axial Load calculation to verify the selection.

Frame Size		Output Shaft Speed (RPM)															
Single Reduction	Double Reduction	~10	15	20	25	30	35	40	50	60	80	100	125	150	200	250	300
6060 6065	6060DA 6065DA	66	66	66	66	66	66	66	66	66	66	66	66	66	66	66	66
6070 6075	6070DA 6075DA	176	176	176	176	176	176	176	176	176	176	176	176	176	176	176	176
6080 6085	—	221	221	221	221	221	221	221	221	221	221	221	221	221	221	221	221
6090 6095	6090DA 6095DA	221	221	221	221	221	221	221	221	221	221	221	221	221	221	221	221
6100 6105 610H	6100DA 6105DA	330	330	330	330	330	330	330	330	330	330	330	330	330	330	330	330
6110 6115	—	330	330	330	330	330	330	330	330	330	330	330	330	330	330	330	330
6120 6125 612H	6120DA 6120DB 6125DA 6125DB	661	661	661	661	661	661	661	661	661	661	661	661	661	623	562	537
6130 6135	6130DA 6130DB 6130DC 6135DA 6135DB 6135DC	881	881	881	881	881	881	881	881	881	881	881	881	881	881	881	881
6140 6145 614H	6140DA 6140DB 6140DC 6145DA 6145DB 6145DC	1214	1214	1214	1214	1214	1214	1214	1214	1214	1176	1093	1025	982	866	825	776
6160 6165 616H	6160DA 6160DB 6160DC 6165DA 6165DB 6165DC	1545	1545	1545	1545	1545	1545	1545	1545	1545	1545	1545	1545	1545	1416	1281	1146
6170 6175	6170DA 6170DB 6170DC 6175DA 6175DB 6175DC	2205	2205	2205	2205	2205	2205	2205	2205	2205	2205	2205	2176	2028	1819	1648	1547
6180 6185	6180DA 6180DB 6185DA 6185DB	3080	3080	3080	3080	3080	3080	3080	3080	3080	3080	3080	2945	2810	2473	—	—
6190 6195	6190DA 6190DB 6195DA 6195DB	4406	4406	4406	4406	4406	4406	4406	4406	4406	4406	4406	4159	3934	3462	—	—
6205	6205DA 6205DB	5958	5283	4744	4406	4182	4069	3979	3754	3530	3192	2968	2878	2765	2540	—	—
6215	6215DA 6215DB	6183	5508	4969	4631	4406	4182	4069	3867	3642	3305	3080	2968	2878	2653	—	—
6225	6225DA 6225DB	6610	5755	5216	4879	4631	4406	4204	3957	3754	3440	3237	3058	2945	2720	—	—
6235	6235DA 6235DB	7936	7059	6385	5958	5621	5283	5081	4744	4519	4182	3979	3754	—	—	—	—
6245	6245DA 6245DB	8386	7599	6947	6475	6138	5868	5643	5283	5013	4721	4474	4294	—	—	—	—
6255	6255DA 6255DB	10814	9690	8858	8296	7891	7554	7262	6835	6407	6025	5733	5441	—	—	—	—
6265	6265DA	11691	11691	11466	10679	10072	9622	9353	8746	8386	7824	7419	6992	—	—	—	—
6275	6275DA	13242	13242	13242	13242	13242	13242	13242	13242	—	—	—	—	—	—	—	—

Motor

Mounting Direction of Terminal Box

The terminal box mounting direction can be changed in units of 90P; specify the direction according to the table below when placing an order.

Cable port direction	Terminal box mounting position (As viewed from output shaft with motor being horizontal) ^[1]	
	Left side (N33)	Right side (N34)
Type A (N3A)		
Type B (N3B)		
Type C (N3C)		
Type D (N3D)		

Cable port direction	Terminal box mounting position (As viewed from output shaft with motor being horizontal) ^[1]	
	Top (N35)	Bottom (N36)
Type A (N3A)		
Type B (N3B)		
Type C (N3C)		
Type D (N3D)		

Motor

Standard Position of Terminal Box and Direction of Lead Wires

	Horizontal Mounting Configuration (Horizontal Slow Speed Shaft)				Vertical Mounting Configuration (Vertical Slow Speed Shaft Down)	
	Standard Motor		Brake Motor		Standard Motor	Brake Motor
	3 Phase	AF Motor	3 Phase	AF Moto	3 Phase	3 Phase
Terminal Box Mounting Position	Left Side	Left Side	Left Side	Left Side	Left Side	Left Side
Cable Port Direction	B	B	B	B	A	A

Motor continued

Motor Cover Mounting Specifications

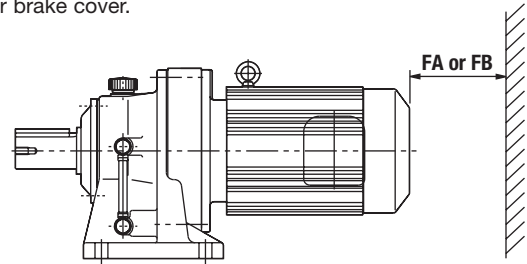
Refer to dimension FA or FB when designing the mounting space into which the gearmotor is to fit.

Dimension FA: The space necessary to remove the fan cover or brake cover without removing the motor from the equipment.

Dimension FB: Minimum space required for adequate ventilation.

Notes:

1. It is necessary to remove the gearmotor from the equipment when removing the fan or brake cover.
2. AF (Inverter) motors of 40 HP (30kW) or greater are of a different ventilation type.



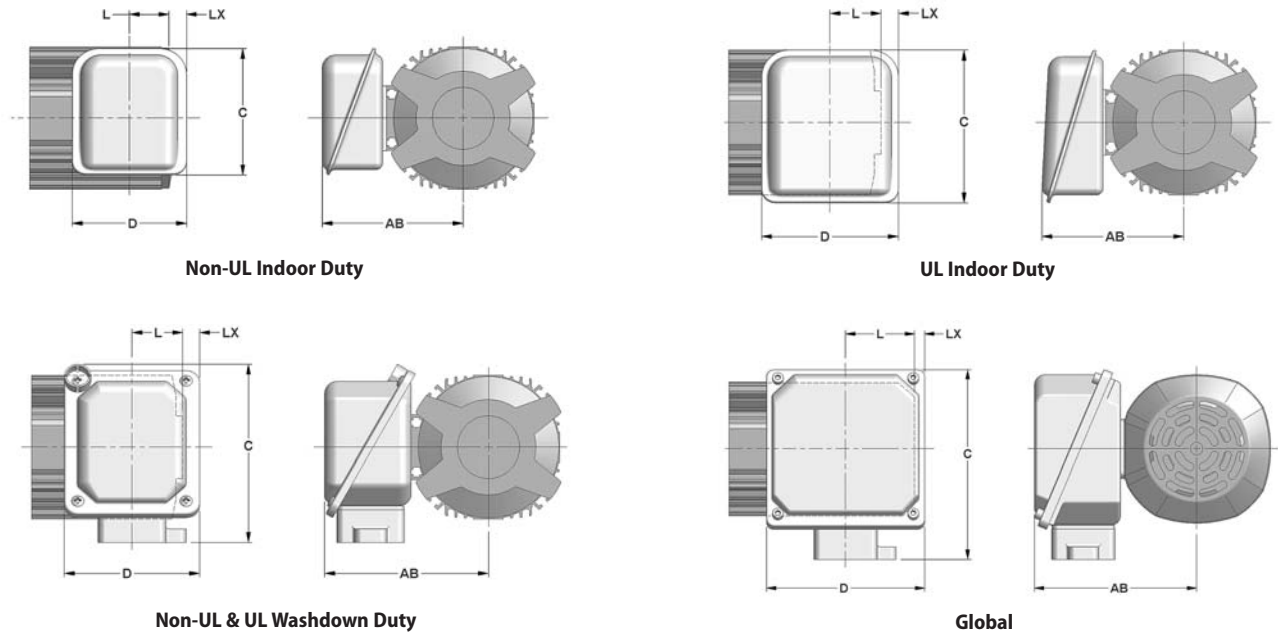
Space Requirements

Units: inches (mm)

Motor HP (kW) x Pole	Standard Motor				Brake Motor			
	3 Phase		Inverter Duty		3 Phase		Inverter Duty	
	FA	FB	FA	FB	FA	FB	FA	FB
1/8(0.1) x 4	-	-	1.9 (48)	0.8 (20)	2.0 (49)	-	2.5 (61)	0.8 (20)
1/4(0.2) x 4	1.9 (48)	0.8 (20)	1.9 (48)	0.8 (20)	2.5 (61)	0.8 (20)	2.5 (61)	0.8 (20)
1/3(0.25) x 4	1.9 (48)	0.8 (20)	1.9 (48)	0.8 (20)	2.5 (61)	0.8 (20)	2.5 (61)	0.8 (20)
1/2(0.4) x 4	1.9 (48)	0.8 (20)	2.0 (49)	0.8 (20)	2.5 (61)	0.8 (20)	3.7 (93)	0.8 (20)
3/4(0.55) x 4	2.0 (49)	0.8 (20)	2.1 (52)	0.8 (20)	3.7 (93)	0.8 (20)	4.6 (115)	0.8 (20)
1(0.75) x 4	2.0 (49)	0.8 (20)	2.1 (52)	0.8 (20)	3.7 (93)	0.8 (20)	4.6 (115)	0.8 (20)
1.5(1.1) x 4	2.1 (52)	0.8 (20)	2.2 (56)	0.8 (20)	4.6 (115)	0.8 (20)	5.2 (132)	0.8 (20)
2(1.5) x 4	2.1 (52)	0.8 (20)	2.2 (56)	0.8 (20)	4.6 (115)	0.8 (20)	5.2 (132)	0.8 (20)
3(2.2) x 4	2.2 (56)	0.8 (20)	2.4 (60)	0.8 (20)	5.2 (132)	0.8 (20)	5.2 (132)	0.8 (20)
5(3.7) x 4	2.4 (60)	0.8 (20)	2.4 (60)	0.8 (20)	5.2 (132)	0.8 (20)	5.2 (132)	0.8 (20)
7.5(5.5) x 4	2.4 (60)	0.8 (20)	3.0 (75)	1.0 (25)	5.2 (132)	0.8 (20)	6.7 (170)	1.0 (25)
10(7.5) x 4	3.0 (75)	1.0 (25)	3.0 (75)	1.0 (25)	6.7 (170)	1.0 (25)	6.7 (170)	1.0 (25)
15(11) x 4	3.0 (75)	1.0 (25)	5.2 (130)	1.2 (30)	6.7 (170)	1.0 (25)	8.7 (220)	1.2 (30)
20(15) x 4	5.2 (130)	1.2 (30)	6.2 (155)	1.2 (30)	8.7 (220)	1.2 (30)	14.5 (367)	1.2 (30)
25(18.5) x 4	6.2 (155)	1.2 (30)	6.7 (170)	1.2 (30)	14.5 (367)	1.2 (30)	14.6 (370)	1.2 (30)
30(22) x 4	6.2 (155)	1.2 (30)	6.7 (170)	1.2 (30)	14.5 (367)	1.2 (30)	14.6 (370)	1.2 (30)
40(30) x 4	6.7 (170)	1.2 (30)	5.6 (140)	1.2 (30)	14.6 (370)	1.2 (30)	11.7 (295)	1.2 (30)
50(37) x 4	9.1 (230)	1.2 (30)	5.6 (140)	1.2 (30)	17.6 (445)	1.2 (30)	11.7 (295)	1.2 (30)

Motor

Conduit Box Dimensions



Terminal Box Mounting Centers

Units: inches

Frame Size	Duty Rating	Optional Conduit Box					Global Conduit Box (Standard)					Conduit Thread
		AB	C	D	L	LX	AB	C	D	L	X	
F-63S	Non-UL Indoor Duty	4.13	3.76	3.35	1.14	.53	5.04	5.91	4.92	1.14	1.32	NPT 1/2
	UL Indoor Duty	5.20	5.44	4.80	1.14	1.26						
	Non-UL & UL Washdown Duty	5.00	5.20	3.94	1.14	.83						
F-63M	Non-UL Indoor Duty	4.13	3.76	3.35	2.13	—	5.04	5.91	4.92	2.13	0.33	NPT 1/2
	UL Indoor Duty	5.20	5.44	4.80	2.13	.28						
	Non-UL & UL Washdown Duty	5.00	5.20	3.94	2.13	—						
F-71M	Non-UL Indoor Duty	4.13	3.76	3.35	2.13	—	5.04	5.91	4.92	2.13	0.33	NPT 1/2
	UL Indoor Duty	5.20	5.44	4.80	2.13	.28						
	Non-UL & UL Washdown Duty	5.00	5.20	3.94	2.13	—						
F-80S F-80M	Non-UL Indoor Duty	4.49	3.78	3.35	3.82	—	5.43	5.91	4.92	3.82	—	NPT 3/4
	UL Indoor Duty	5.59	5.44	4.80	3.82	—						
	Non-UL & UL Washdown Duty	5.36	5.20	3.94	3.82	—						
F-90S F-90L	Non-UL Indoor Duty	4.68	3.78	3.35	3.94	—	5.63	5.91	4.92	3.94	—	NPT 3/4
	UL Indoor Duty	5.79	5.44	4.80	3.94	—						
	Non-UL & UL Washdown Duty	5.56	5.20	3.94	3.94	—						
F-100L	Non-UL Indoor Duty	4.96	3.78	3.35	4.13	—	5.91	5.91	4.92	4.13	—	NPT 3/4
	UL Indoor Duty	6.06	5.44	4.80	4.13	—						
	Non-UL & UL Washdown Duty	5.84	5.20	3.94	4.13	—						
F-112M	Non-UL Indoor Duty	5.80	4.38	3.94	5.00	—	6.54	5.91	4.92	5.00	—	NPT 3/4
	UL Indoor Duty	6.69	5.44	4.80	5.00	—						
	Non-UL & UL Washdown Duty	7.20	5.98	4.84	5.00	—						
F-132S	Non-UL Indoor Duty	5.80	4.38	3.94	5.00	—	6.54	5.91	4.92	5.00	—	NPT 1
	UL Indoor Duty	6.69	5.44	4.80	5.00	—						
	Non-UL & UL Washdown Duty	7.20	5.98	4.84	5.00	—						
F-132M	Non-UL Indoor Duty	7.40	5.44	4.80	5.63	—	8.31	7.83	6.69	5.63	—	NPT 1
	UL Indoor Duty	7.40	5.44	4.80	5.63	—						
	Non-UL & UL Washdown Duty	8.74	7.37	6.06	5.63	—						
F-160M	Non-UL Indoor Duty	7.40	5.44	4.80	5.63	—	8.31	7.83	6.69	5.63	—	NPT 1
	UL Indoor Duty	7.40	5.44	4.80	5.63	—						
	Non-UL & UL Washdown Duty	8.74	7.37	6.06	5.63	—						

Motor

Motor continued**Standard Motor Data****Single Phase, 115/230V, Synchronous Speed, 1800 RPM, 60 Hz, TEFC**

HP	RPM	Frame Size	Full Load Amp.		Inertia WR ² lb•in ²
			115V	230V	
1/8	1750	S-71S	3.8	1.9	5.13
1/4		S-71S	4.8	2.4	5.13
1/3		S-71	6.5	3.2	7.69
1/2		S-71	7.8	3.9	7.69
3/4		S-90	10.8	5.4	20.5
1		S-90	12.8	6.4	20.5

230/460V, Synchronous Speed 1800 RPM, 60 Hz, Continuous Duty, TEFC

HP	Frame Size	Full Load		Current (A)			Starting Torque (% of FL)	Breakdown Torque (% of FL)	Efficiency %	Power Factor %	NEMA Code Letter	Inertia WR ² lb•in ²
		Rated RPM	Torque in•lbs	Full Load		Starting % of FL						
				230V	460V							
1/8**	F-63S	1730	4.54	0.66	0.33	424%	326%	329%	64.0%	59.5%	K	1.11
1/4	F-63M	1730	9.11	1.1	0.56	468%	300%	293%	69.7%	64.8%	K	1.71
1/3	F-63M	1710	12.2	1.2	0.61	433%	237%	232%	72.1%	70.9%	G	1.71
1/2	F-71M	1740	18.1	2.1	1.1	471%	295%	280%	72.8%	69.6%	J	2.22
3/4	F-80S	1730	27.4	2.5	1.2	500%	266%	245%	76.9%	73.0%	H	3.45
1	F-80M	1750	36.0	3.4	1.7	522%	278%	303%	77.3%	72.3%	H	4.10
1.5	F-90S	1730	54.7	4.6	2.3	611%	263%	281%	80.0%	74.4%	J	6.32
2	F-90L	1740	72.4	6.0	3.0	609%	263%	270%	82.4%	75.6%	J	7.28
3	F-100L	1730	109	8.4	4.2	643%	269%	262%	84.1%	77.8%	J	11.4
5	F-112M	1730	181	13.1	6.5	695%	283%	281%	86.6%	82.2%	J	29.0
7.5	F-132S	1710	276	18.1	9.0	661%	223%	221%	86.7%	88.2%	H	39.0
10	F-132M	1740	361	23.6	11.8	623%	212%	214%	89.6%	88.9%	G	91.6
15	F-160M	1740	541	34.3	17.2	673%	248%	221%	90.4%	89.0%	G	128
20	G-160L	1740	722	45.8	22.9	594%	222%	220%	91.6%	89.9%	F	307
25	F-180MG	1730	912	56.0	28.2	630%	230%	212%	90.7%	90.7%	G	769
30	F-180MG	1740	1088	67.0	33.7	793%	303%	275%	90.9%	89.5%	J	769
40	F-180L	1750	1440	93.0	46.3	757%	310%	274%	92.2%	88.3%	H	854
50	F-200L	1740	1812	114	57.0	793%	340%	286%	92.1%	88.5%	J	1052
60	F-200L	1740	2175	138	69.0	781%	340%	279%	92.5%	88.4%	J	1172
75	F-225S	1750	2703	167	83	753%	277%	282%	92.2%	89.8%	H	237

Note: ** 1/8 HP is TENV.

230/460V, Synchronous Speed 1200 RPM, 60 Hz, Continuous Duty, TEFC

HP	Frame Size	Full Load		Current (A)			Starting Torque (% of FL)	Breakdown Torque (% of FL)	Efficiency %	Power Factor %	NEMA Code Letter	Inertia WR ² lb•in ²
		Rated RPM	Torque in•lbs	Full Load		Starting % of FL						
				230V	460V							
20	F-180MG	1160	1088	52	25.9	629%	263%	254%	91.3%	79.5%	H	1090
25	F-180L	1160	1360	59	29.7	698%	261%	286%	90.9%	86.0%	H	1240
30	F-180L	1170	1618	71	35.6	713%	273%	297%	92.4%	83.8%	H	1240
40	F-200L	1180	2138	95	47.6	740%	318%	305%	93.1%	85.0%	H	1620
50	F-200L	1170	2695	117	59	789%	348%	327%	92.9%	88.1%	J	2050
60	F-225S	1170	3234	140	70	688%	290%	267%	92.6%	86.9%	H	3420
75	F-250S	1160	4078	170	85	671%	289%	259%	93.0%	87.2%	G	4030

High-Efficiency Motor Data

CSA Approved Motors

230/460V, Synchronous Speed 1800 RPM, 60 Hz, Continuous Duty, TEFC

HP	Frame Size	Full Load		Current (A)				Starting Torque (% of FL)	Breakdown Torque (% of FL)	Efficiency %	Power Factor %	NEMA Code Letter	Inertia WR ² lb•in ²
		Rated RPM	Torque in•lbs	Full Load		No Load % of FL	Starting % of FL						
				230V	460V								
1/8**	F-63S	1720	4.59	0.71	0.35	90%	451%	378%	393%	65.5%	54.1%	M	1.11
1/4	F-63M	1730	9.10	1.20	0.60	86%	450%	309%	343%	69.4%	60%	K	1.71
1/3	F-63M	1710	12.20	1.30	0.65	79%	415%	244%	272%	71.3%	67.4%	H	1.71
1/2	F-71M	1700	18.60	2.10	1.10	81%	481%	343%	331%	75.2%	63.1%	J	2.22
3/4	F-80S	1700	28.20	2.60	1.30	71%	512%	263%	272%	75.4%	71.4%	H	3.45
1	F-80M	1700	37.10	3.60	1.80	75%	572%	341%	315%	78.0%	66.8%	K	4.10

Note: ** 1/8 HP is TENV.



Dimensions for CSA units may be different than those specified in Section 4, please consult factory.

EPACT/EEV Efficiency Motors, CSA Approved

230/460V, Synchronous Speed 1800 RPM, 60 Hz, Continuous Duty, TEFC

HP	Frame Size	Full Load		Current (A)				Starting Torque (% of FL)	Breakdown Torque (% of FL)	Efficiency %	Power Factor %	NEMA Code Letter	Inertia WR ² lb•in ²
		Rated RPM	Torque in•lbs	Full Load		No Load % of FL	Starting % of FL						
				230V	460V								
1	FA-80M	1740	36.3	3.24	1.62	67%	676%	331%	378%	84.5%	68.7%	K	7.28
1.5	FA-90S	1740	54.4	4.58	2.29	65%	679%	319%	364%	85.7%	71.1%	K	11.4
2	FA-90L	1730	72.8	5.81	2.91	60%	714%	271%	306%	86.6%	74.9%	K	11.4
3	FA-100L	1750	108	8.1	4.05	57%	879%	310%	406%	89.1%	76.4%	L	29.0
5	FA-112M	1740	181	12.7	6.35	45%	781%	302%	330%	89.5%	81.6%	J	39.0
7.5	FA-132S	1750	269	18.5	9.23	46%	795%	309%	345%	90.7%	82.5%	J	91.6
10	FA-132M	1750	359	24.5	12.2	39%	824%	284%	303%	90.4%	85.1%	K	128
15	G-160L	1770	532	35.9	18.0	42%	928%	335%	335%	92.9%	82.7%	K	307
20	G-160L	1770	710	48.7	24.3	41%	982%	351%	354%	92.8%	83.5%	L	307
25	F-180L	1780	884	60.8	30.4	40%	803%	336%	305%	92.4%	82.7%	J	854
30	F-180L	1780	1063	70.8	35.4	34%	689%	282%	256%	92.4%	84.5%	H	854
40	F-200L	1780	1415	98.1	49.1	38%	739%	288%	279%	93.4%	82.1%	J	1052
50	F-200L	1780	1772	116	58.2	30%	680%	203%	250%	93.2%	85.5%	H	1052

Motor continued**High Efficiency Motor Data** continued**CSA Approved Motors****575V, Synchronous Speed 1800 RPM, 60 Hz, Continuous Duty, TEFC**

HP	Frame Size	Full Load		Current (A)			Starting Torque (% of FL)	Breakdown Torque (% of FL)	Efficiency %	Power Factor %	NEMA Code Letter	Inertia WR ² lb•in ²
		Rated RPM	Torque in•lbs	Full Load	No Load % of FL	Starting % of FL						
1/8**	F-63S	1720	4.59	0.28	90%	458%	376%	391%	65.3%	54.1%	M	1.11
1/4	F-63M	1720	9.17	0.48	86%	459%	316%	340%	69.4%	60.3%	K	1.71
1/3	F-63M	1710	12.20	0.52	79%	422%	250%	270%	71.3%	67.4%	H	1.71
1/2	F-71M	1700	18.60	0.79	76%	468%	309%	300%	75.8%	67.4%	J	2.22
3/4	F-80S	1700	28.20	1.00	74%	530%	260%	268%	75.1%	71.6%	H	3.45
1	F-80M	1680	37.60	1.30	65%	508%	252%	256%	78.1%	74.9%	H	4.10

Note: ** 1/8 HP is TENV.



Dimensions for 575V and CSA units may be different than those specified in Section 4, please consult factory.

EPACT/EEV Efficiency Motors, CSA Approved**575V, Synchronous Speed 1800 RPM, 60 Hz, Continuous Duty, TEFC**

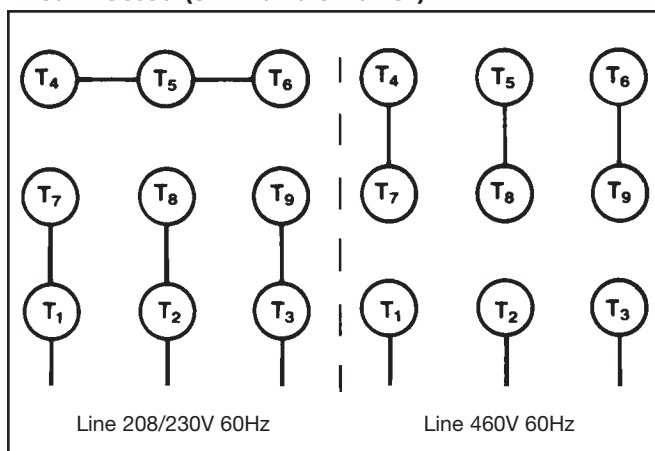
HP	Frame Size	Full Load		Current (A)			Starting Torque (% of FL)	Breakdown Torque (% of FL)	Efficiency %	Power Factor %	NEMA Code Letter	Inertia WR ² lb•in ²
		Rated RPM	Torque in•lbs	Full Load	No Load % of FL	Starting % of FL						
1	FA-80M	1740	36.1	1.29	70%	690%	320%	379%	84.8%	68.2%	K	7.28
1.5	FA-90S	1740	54.4	1.84	63%	674%	319%	364%	85.7%	71.1%	K	11.4
2	FA-90L	1730	72.7	2.36	59%	703%	326%	371%	86.1%	73.6%	K	11.4
3	FA-100L	1750	108	3.26	50%	844%	354%	417%	87.9%	78.5%	L	29.0
5	FA-112M	1740	181	5.17	39%	774%	295%	346%	88.7%	81.7%	J	39.0
7.5	FA-132S	1750	269	7.47	47%	712%	288%	331%	89.9%	83.6%	H	91.6
10	FA-132M	1760	358	9.68	40%	851%	314%	340%	91.5%	84.5%	K	128
15	G-160L	1770	532	14.7	41%	925%	338%	338%	92.8%	82.7%	L	307
20	G-160L	1770	711	19.2	39%	927%	327%	330%	93.0%	84.5%	K	307
25	F-180L	1780	884	24.5	39%	776%	330%	285%	92.7%	82.9%	J	854
30	F-180L	1780	1063	28.9	33%	657%	275%	237%	92.5%	84.5%	H	854
40	F-200L	1780	1414	38.8	38%	714%	283%	274%	93.5%	83.0%	H	1052
50	F-200L	1770	1779	46.1	32%	685%	203%	250%	93.8%	85.8%	G	1052

Standard Wiring Diagrams

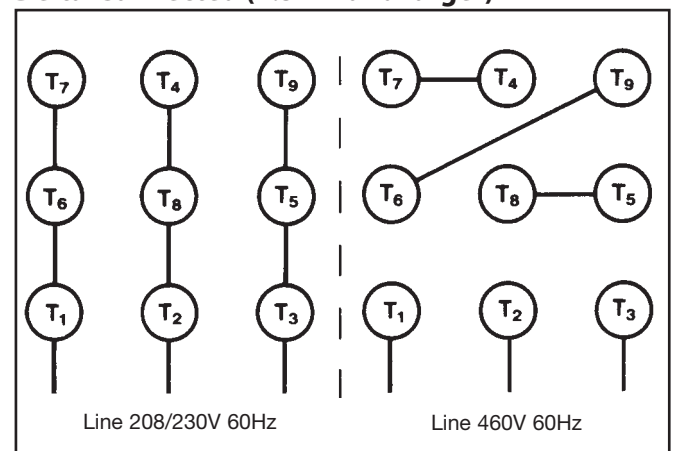
Illustrated below are the wiring diagrams for our standard motors, for additional information please refer to the motor name plate. Due to changes in design features, this diagram may not always agree with that on the motor. If different, the motor diagram found inside the conduit box cover is correct.

3-Phase Motors (230/460 V)

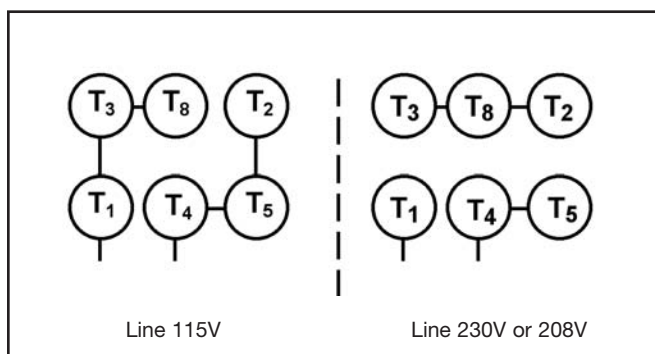
Y-Connected (5 HP and smaller)



Delta-Connected (7.5 HP and larger)



Single Phase Motors



Motor continued

Motor Thermal Rating (C x Z)

Motor Power HP	Allowable C x Z				Motor Moment of Inertia lb•in ²	
	35% ED ^[1]	35%~50% ED ^[1]	50~80% ED ^[1]	80~100% ED ^[1]	Standard	with Brake
1/8	3200	3000	2000	1200	1.11	1.20
1/4	2200	2800	2800	2500	1.71	1.88
1/3	2200	2800	2800	2500	1.71	1.88
1/2	1800	2200	1500	1500	2.22	2.31
3/4	1800	2200	1500	1500	3.45	3.79
1	1400	1400	800	500	4.10	4.44
1.5	1400	1400	800	500	6.32	7.11
2	1200	1200	500	400	7.28	8.03
3	1000	900	400	200	11.4	12.8
5	800	800	800	700	29.0	32.7
7.5	300	300	200	150	39.0	42.7
10	400	350	300	300	91.6	104
15	200	200	150	150	128	140

Note: [1] % ED = duty cycle.

The calculated C x Z value (steps 1 – 3 outlined below) should be less than the allowable value listed in Motor Thermal Rating table above.

1. Obtain the C value:

$$C = \frac{I_M + I_L}{I_M} \quad \begin{array}{l} I_M = \text{Moment of Inertia of Motor.} \\ I_L = \text{Total Moment of Inertia of Load as seen from the motor.} \end{array}$$

2. Obtain the Z value (number of starts per hour):

(a) Assume that one operating period consists of “on-time” t_a (sec.), “off-time” t_b (sec.) and the motor is started nr (times/sec.).

$$Z_r = \frac{3600nr}{t_a + t_b} \text{ (times/hour)}$$

(b) When inching, ni (times/cycle) is included in 1 cycle ($t_a + t_b$), the number of inching times per hour Z_i , is then included in the number of starts.

$$Z_i = \frac{3600ni}{t_a + t_b} \text{ (times/hour)}$$

(c) Calculate Z by adding Z_r to Z_i .

$$Z = Z_r + \frac{1}{2} Z_i = \frac{3600}{t_a + t_b} \cdot \left(nr + \frac{1}{2} ni \right) \text{ (times/hour)}$$

3. Calculate C multiplied by Z:

Use the value of C obtained in step (1) and Z from step (2)

4. Obtain the duty cycle %ED and check with Motor Thermal Rating table above.

$$\%ED = \frac{t_a}{t_a + t_b} \times 100 \quad \begin{array}{l} t_a = \text{on-time} \\ t_b = \text{off-time} \end{array}$$

Brakemotor Characteristics

The brakemotor on Cyclo® gearmotors operates with direct current supplied by a dual voltage rectifier mounted in the motor conduit box.

The standard brake input voltage is 208V OR 230V OR 460V at 60 Hz.

When used for outdoor installations, our standard brakemotor must be protected with some type of covering. Such type of coverings are available from the factory, please inquire when ordering.

Note: Advise the factory when ordering if you require larger or smaller brake torque than those shown as standard in the Brakemotor Characteristics table below.

Brakemotor Characteristics

HP	Type		Brake Torque		Inertia WR2 lb•in ²	Brake Delay Time (sec)		Coil Current (AC Amperage)		
	Frame	Model	Standard ft•lbs	Maximum ft•lbs		Normal Braking Action	Fast Braking Action	208V	230V	460V
1/8	F-63S	FB-01A	0.7	1.0	1.20	0.15~0.2	0.015~0.02	0.06	0.06	0.04
1/4	F-63M	FB-02A	1.5	2.0	1.88	0.15~0.2	0.015~0.02	0.1	0.1	0.06
1/3	F-63M	FB-02A	1.5	2.9	1.88	0.15~0.2	0.015~0.02	0.1	0.1	0.06
1/2	F-71M	FB-05A	3.0	2.9	2.31	0.1~0.15	0.01~0.015	0.1	0.1	0.06
3/4	F-80S	FB-1B	5.5	7.7	3.79	0.2~0.3	0.01~0.02	0.1	0.1	0.1
1	F-80M	FB-1B	5.5	7.7	4.44	0.2~0.3	0.01~0.02	0.1	0.1	0.1
1.5	F-90S	FB-2B	11	14.0	7.11	0.2~0.3	0.01~0.02	0.3	0.3	0.2
2	F-90L	FB-2B	11	14.0	8.03	0.2~0.3	0.01~0.02	0.3	0.3	0.2
3	F-100L	FB-3B	16	21.0	12.7	0.3~0.4	0.01~0.02	0.4	0.4	0.2
5	F-112M	FB-5B	27	36.0	32.7	0.4~0.5	0.01~0.02	0.4	0.5	0.3
7.5	F-132S	FB-8B	41	53.0	42.7	0.3~0.4	0.01~0.02	0.4	0.5	0.3
10	F-132M	FB-10B	55	72.0	104	0.7~0.8	0.03~0.04	0.7	0.8	0.5
15	F-160M	FB-15B	81	81.0	140	0.5~0.6	0.03~0.04	0.7	0.8	0.5
20	G-160L	CMB-20	74	80.0	455	0.6~0.8	0.1~0.15	1.5	1.7	1.9
25	F-180L	ESB220	92	—	793	0.075	—	—	0.947	—
30	F-180L	ESB220	111	—	793	0.075	—	—	0.947	—
40	F-180L	ESB220	148	—	878	0.075	—	—	0.947	—
50	F-200L	ESB250	184	—	1097	0.065	—	—	1.154	—

Motor Brakemotor, Standard Wiring

Standard Wiring Connection, Dual Voltage

Models FB-01A through FB-15B

Figure 5-1 Normal Brake Action, 230V, 575V

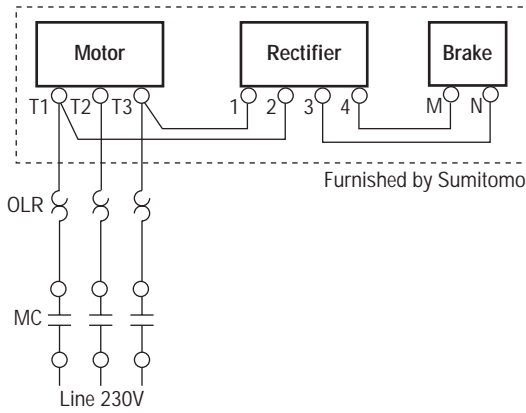


Figure 5-2 Fast Brake Action, 230V

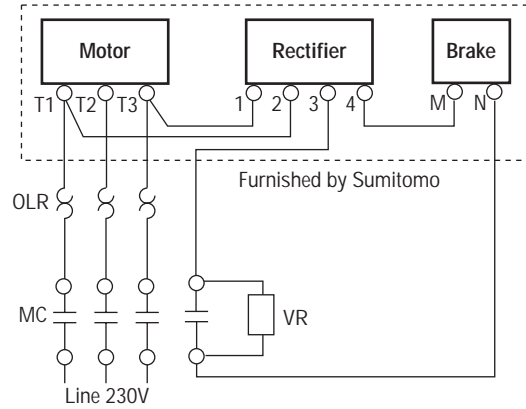


Figure 5-3 Normal Brake Action, 460V

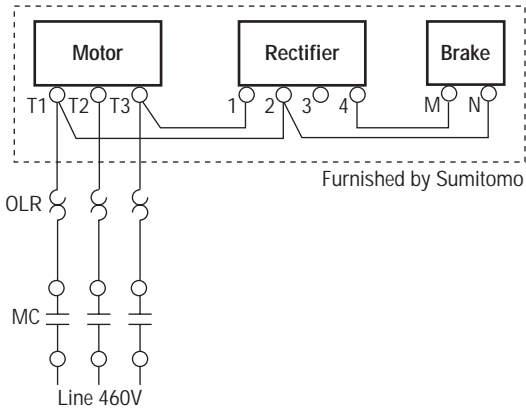
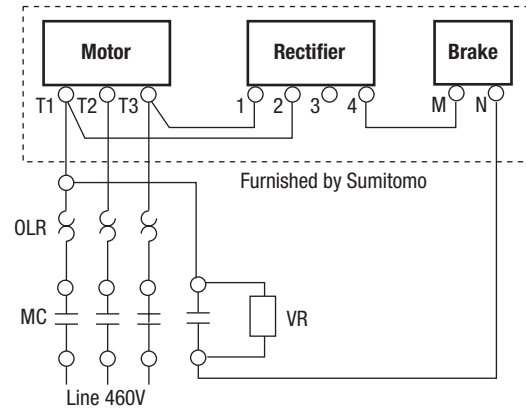


Figure 5-4 Fast Brake Action, 460V, 575V



- MC: Electromagnetic Relay
- MCB: Magnetic Circuit Breaker
- OLR: Overload or Thermal Relay
- VR: Varistor (protective device)^[1]

Note: [1] Refer to Varistor Specifications Table

Varistor Specifications Table

Operating Voltage		380-460V 190-230V	575V
Varistor Rated Voltage		AC510V	AC604V
Varistor Voltage		820V	1000V
Rated Watt	FB01A, 02A	Over 0.4W	Over 0.4W
	FB-05A	Over 0.4W	Over 0.4W
	FB-1B	Over 0.6W	Over 0.4W
	FB-2B, 3B	Over 1.5W	Over 0.6W
	FB-5B, 8B	Over 1.5W	Over 1.5W
	FB10B, 15B	Over 1.5W	Over 1.5W

Motor Brakemotor Standard Wiring continued

Models CMB-20

Figure 5-5 Normal Brake Action, 230V

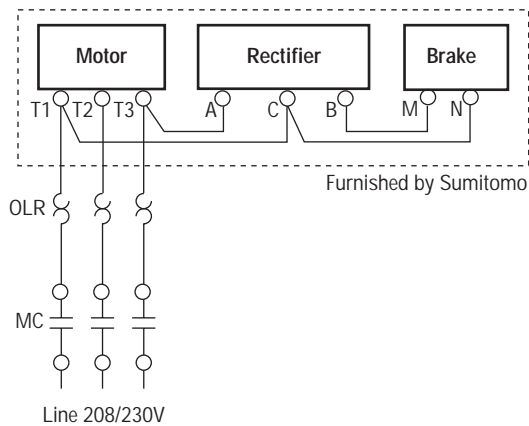


Figure 5-6 Fast Brake Action, 230V

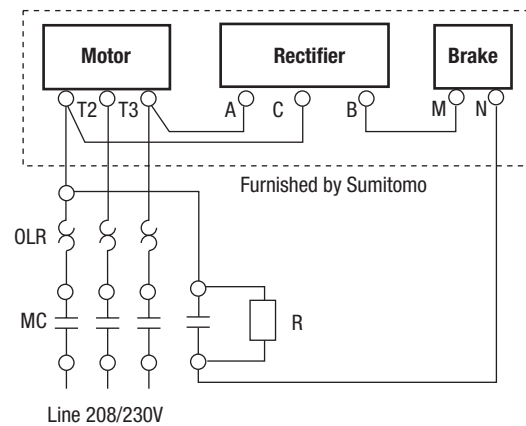


Figure 5-7 Normal Brake Action, 460V

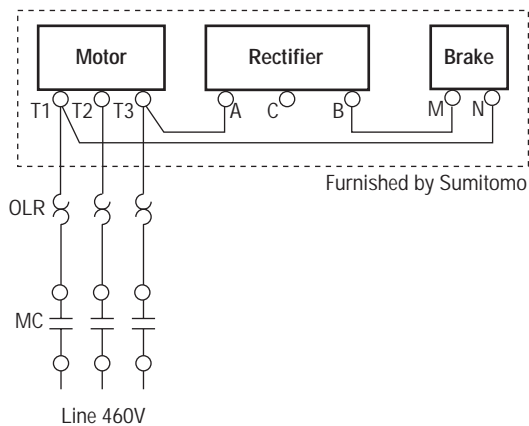


Figure 5-8 Fast Brake Action, 460V

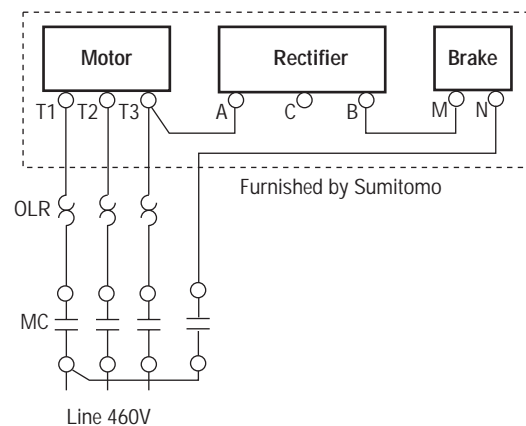


Figure 5-9 Normal Brake Action, 575V

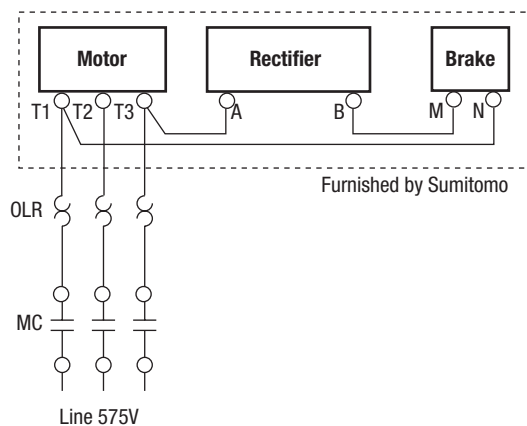
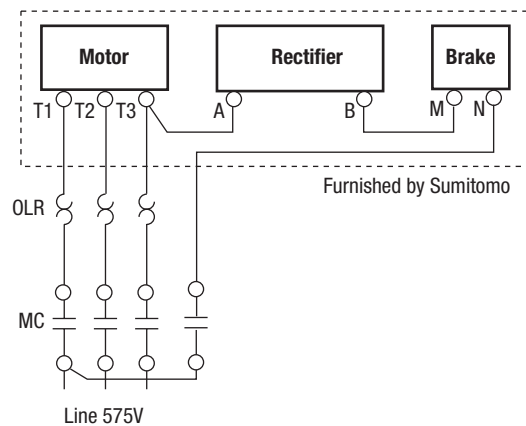


Figure 5-10 Fast Brake Action, 575V



Motor

Motor Brakemotor, Standard Wiring continued

FB Brake (1/8 to 15 HP) with Inverter

Figure 5-11 Normal Brake Action, 230V, 575V

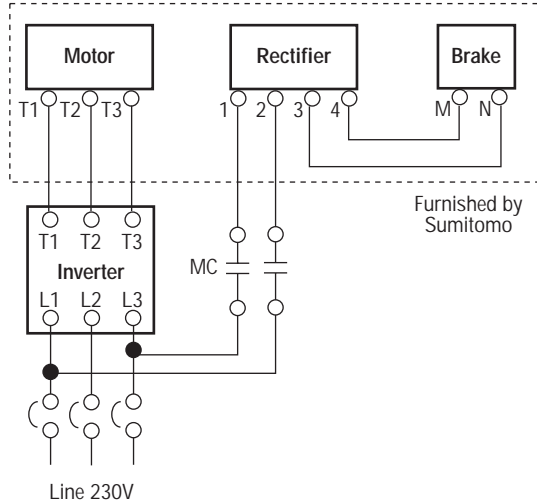


Figure 5-12 Fast Brake Action, 230V

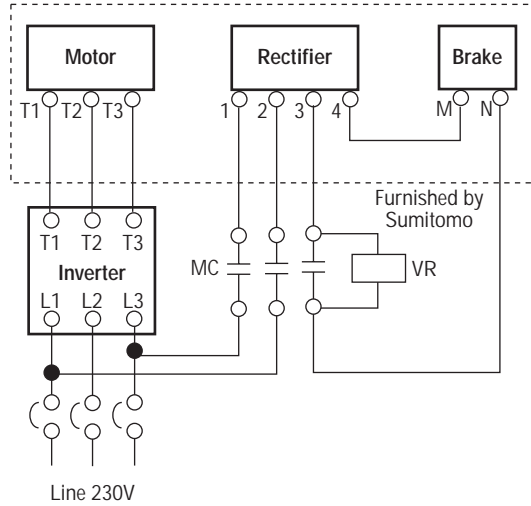


Figure 5-13 Normal Brake Action, 460V

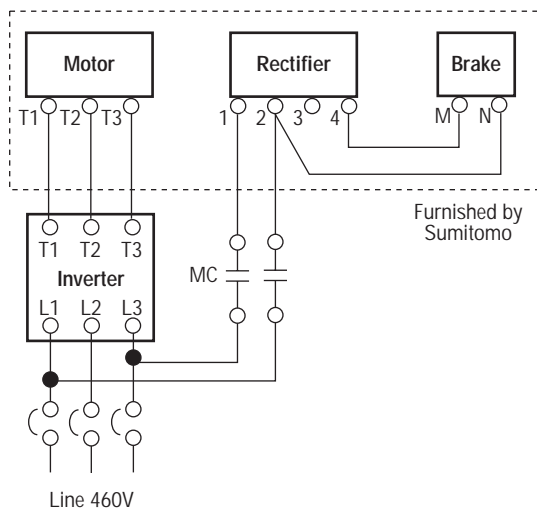
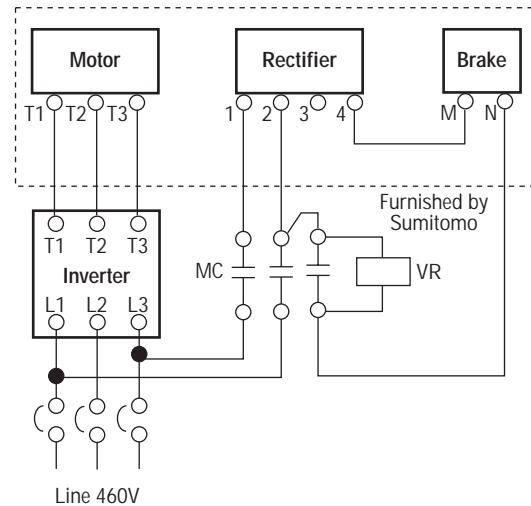


Figure 5-14 Fast Brake Action, 230V, 575V

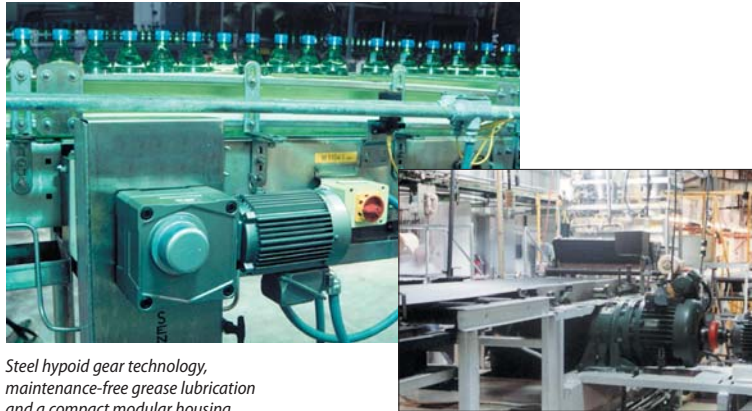


- MC: Electromagnetic Relay
- MCB: Magnetic Circuit Breaker
- VR: Varistor (protective device)^[1]

Note: [1] Refer to Varsistor Specifications Table on pg. 5.20

Brake Type	Motor (HP X P)	Rectifier Model 230V/460V	Rectifier P. N. Number	Rectifier Model 575V	Rectifier P. N. Number
FB-01A	1/8 x 4	25FW - 4FB	DX527WW-01	05F-5	DT574WW-01
FB-02A	1/4 x 4 1/3 x 4	25FW - 4FB	DX527WW-01	05F-5	DT574WW-01
FB-05A	1/2 x 4	25FW - 4FB	DX527WW-01	05F-5	DT574WW-01
FB-1B	3/4 x 4 1 x 4	25FW - 4FB	DX527WW-01	05F-5	DT574WW-01
FB-2B	1.5 x 4 1 x 4	25FW - 4FB	DX527WW-01	05F-5	DT574WW-01
FB-3B	3 x 4	25FW - 4FB	DX527WW-01	05F-5	DT574WW-01
FB-5B	5 x 4	25FW - 4FB	DX527WW-01	05F-5	DT574WW-01
FB-8B	7.5 x 4	25FW - 4FB	DX527WW-01	05F-5	DT574WW-01
FB-10B	10 x 4	25FW - 4FB	DX527WW-01	10F-6FB	DW141WW-01
FB-15B	15 x 4	25FW - 4FB	DX527WW-01	10F-6FB	DW141WW-01
CMB-20	20 x 4	SB25F-3HS	DN937WW-G01	SB25-6H	DN934WW-G01

Bottling/Baking



Steel hypoid gear technology, maintenance-free grease lubrication and a compact modular housing makes the Hyponic® an efficient performer in the food industry.

A 15-hp Beier mechanical variable speed drive with electric remote control provides an adjustable, steady speed range for this 350-ft. oven band conveyor.

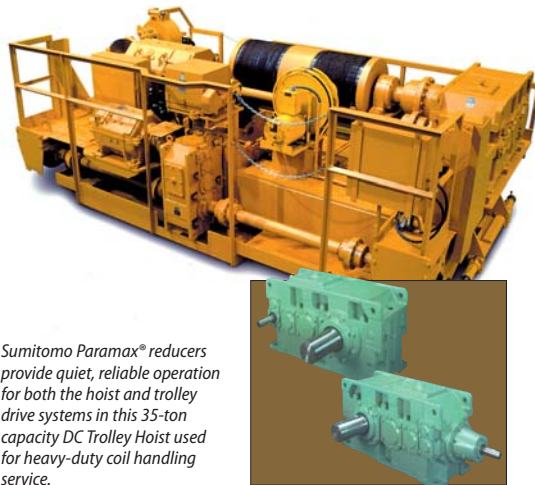
Water Treatment



Each of these Sumitomo Paramax® speed reducers helps pump up to 13 million gallons a day at this state-of-the-art wastewater treatment facility in the City of Clearwater, Florida.

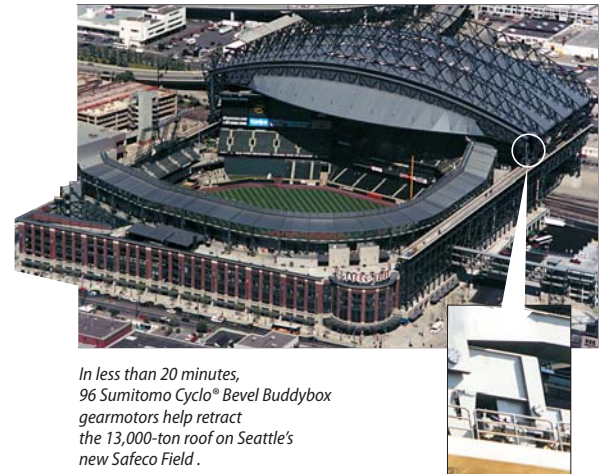
Cyclo® mixer drives are a key component of this award-winning water treatment facility in Hillsborough County, Florida.

Material Handling



Sumitomo Paramax® reducers provide quiet, reliable operation for both the hoist and trolley drive systems in this 35-ton capacity DC Trolley Hoist used for heavy-duty coil handling service.

Custom Designs



In less than 20 minutes, 96 Sumitomo Cyclo® Bevel Buddybox gearmotors help retract the 13,000-ton roof on Seattle's new Safeco Field.

The Sumitomo gearmotors, on eight travel truck assemblies, turn 128 36° wheels.

Wood Products

Sumitomo Cyclo® drives are an integral part of this manufacturing plant which produces 150,000 board feet of unfinished strip and plank hardwood flooring each week.



Once flooring is side-matched, it is inspected for defects. This conveyor, driven by Sumitomo Cyclo® drives, carries defective material to the hammer mill.

Steel



After molten steel is formed in the five-strand continuous caster at this steel mill, it is conveyed by Sumitomo Cyclo® drives on the auto-torch conveyors where the steel is cut into billets.

WORLDWIDE LOCATIONS

Sumitomo Machinery Corporation of America

Headquarters & Manufacturing

4200 Holland Boulevard
Chesapeake, VA 23323
Tel: 757-485-3355 • Fax: 757-485-3075

www.sumitomodrive.com
E-mail: marketing@suminet.com

U.S. Sales and Support

Mid-West
Sumitomo Machinery Corporation of America
175 West Lake Drive
Glendale Heights, IL 60139
Tel: 630-752-0200 • Fax: 630-752-0208

West
Sumitomo Machinery Corporation of America
2375 Railroad Street
Corona, CA 92880-5411
Tel: 951-340-4100 • Fax: 951-340-4108

Southwest
Sumitomo Machinery Corporation of America
1420 Halsey Way #130
Carrollton, TX 75007
Tel: 972-323-9600 • Fax: 972-323-9308

Canada

Toronto (East)
SM-Cyclo of Canada, Ltd.
870 Equestrian Court
Oakville, Ontario, Canada L6L 6L7
Tel: 905-469-1050 • Fax: 905-469-1055

Vancouver (West)
SM-Cyclo of Canada, Ltd.
740 Chester Road, Annacis Island, Delta
B.C., Canada V3M 6J1
Tel: 604-525-5403 • Fax: 604-525-0879

Montreal
SM-Cyclo of Canada, Ltd.
226 Mignerone Street
St. Laurent, Quebec, Canada H4T 1Y7
Tel: 514-340-1300 • Fax: 514-340-1343

World Headquarters

Japan
Sumitomo Heavy Industries, Ltd.
Power Transmission & Controls Group
5-9-11, KITA-Shinagawa, Shinagawa-Ku
Tokyo 141-8686 Japan
Tel: 011-813-5488-8363 • Fax: 011-813-5488-8365

For Worldwide contact information:
www.sumitomodrive.com



Mexico

Monterrey
SM-Cyclo de Mexico, S.A. de C.V.
Calle "C" No. 506A
Parque Industrial Almacentro
Apodaca, N.L., Mexico 66600
Tel: 011-52-81-8144-5130 • Fax: 011-52-81-8369-3699

South America

Brazil
SM-Cyclo Redutores do Brasil Ltda.
Av. Fagundes Filho, 191
Ed. Houston Office Center - c.j. H123
CEP: 04304-010 - São Paulo, Brazil
Tel: 011-55-11-5585-3600 • Fax: 011-55-11-5585-9990

Chile
SM-Cyclo de Chile Ltda.
San Pablo 3507
Comuna de Quinta Normal - Santiago, Chile
Tel: 011-562-786-6963 • Fax: 011-562-786-6964

Argentina
SM-Cyclo de Argentina SA
Manuel Montes de Oca 6719
B1606 BMG, Munro
Buenos Aires, Argentina
Tel: 011-54-11-4765-5332 • Fax: 011-54-11-4765-5517

Europe

Austria
Belgium
France
Germany
Italy
Netherlands
Spain
Sweden
Switzerland

Asia

China
Hong Kong
Indonesia
Korea
Malaysia
Philippines
Taiwan
Thailand

Other Locations

Australia
India
New Zealand
South Africa