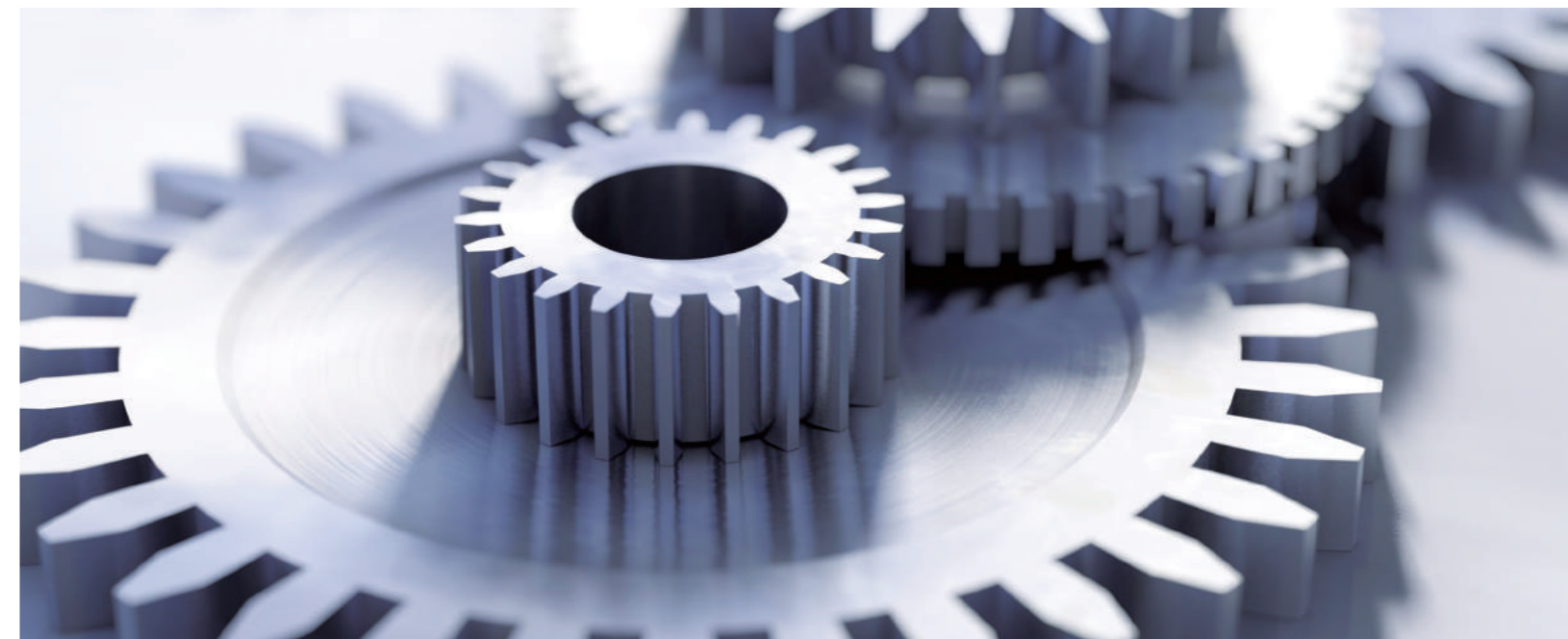


传动精品 | 传递真情



G系列减速电机

G Series Geared Motor

产品样本 CATALOGUE NO.001

版本 VERSION V1.5-2014



国茂减速机集团有限公司

地址 / 中国江苏省常州市武进高新区西湖路111号
销售电话 / +86-0519-86552810 86580810
技术电话 / +86-0519-69878171
技术电子邮箱 / 69878171@guomaogroup.com
售后服务电话 / +86-0519-86580838 86581685 89981055
邮编 / 213164

www.guomaogroup.com

本版权归国茂集团所有，如有改动，恕不另行通知

GUOMAO REDUCER GROUP CO.,LTD.

Address / No.111 Xihu Road Wujin High Tech Zone Changzhou,Jiangsu,China
Tel / +86-0519-88062851
Fax / +86-0519-88062898
Email / trade@guomaogroup.com
Post Code / 213164





集团简介 / Corporate Profile

始建于 / 1993年

经营范围 / 减速机，电动机设计、制造、销售、技术服务、商贸投资

企业性质 / 民营

工厂场地 / 68公顷（1020亩，未含国茂工业园区）

公司员工 / 3200人

地理位置 / 中国江苏省常州市武进高新技术区

Founded in / 1993

Business Scope / reducer, motor, design, manufacturing, sales, technical services, Business Investment

Ownership / Private

Factory Area / 68 hectares (1020 MU, excluding Guomao Industrial Zone)

Employees / 3200

Location / Wujin National High Tech Industrial Zone, Changzhou City, Jiangsu Province, China

国茂集团

减速机板块

国茂减速机集团有限公司

常州市国茂立德传动设备有限公司

常州市国茂电机有限公司

投资板块

常州市国茂工业园区

常州市国茂投资有限公司

GUOMAO GROUP

Reducer Section

Guomao Reducer Group Co., Ltd.

Changzhou Guomao Lede Transmission equipment Co., Ltd.

Changzhou Guomao Motor Co., Ltd.

Investment Section

Changzhou Guomao Industrial Zone

Changzhou Guomao Investment Co., Ltd.

技术装备 Technical Equipment



摆片车间



齿轮箱性能测试台



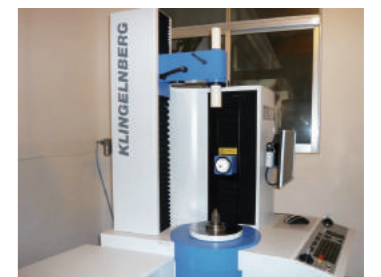
齿轮箱性能测试台



加工中心



磨齿机



齿轮检测仪



摆线装配车间



加工中心车间



成品仓库



装配线

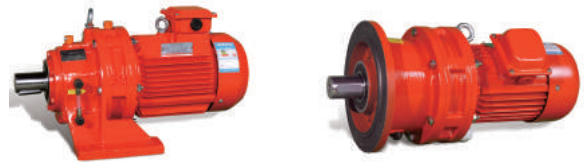
NO.001

G系列减速电机
G SERIES GEARED MOTOR



NO.002

摆线针轮减速机
CYCLOIDAL REDUCER



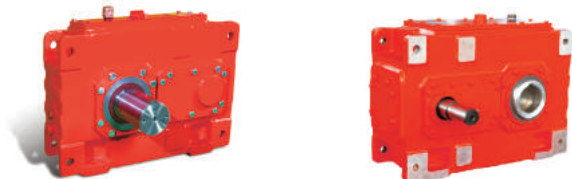
NO.003

ZY系列圆柱齿轮减速机
DBY/DCY系列圆锥圆柱齿轮减速机
ZY SERIES CYLINDRICAL GEAR REDUCER
DBY/DCY SERIES BEVEL GEAR REDUCER



NO.004

PV系列齿轮减速机
PV SERIES GEAR BOX



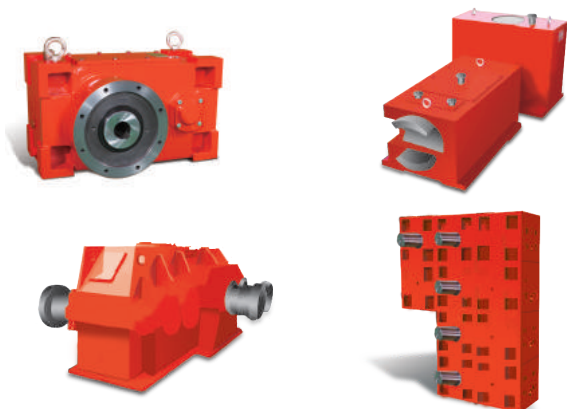
NO.005

GM系列、GMC系列齿轮减速机
GM SERIES REDUCER、GMC SERIES REDUCER



NO.006

橡塑专用减速机
PLASTIC AND RUBBER SPECIAL REDUCER



NO.007

GX系列行星齿轮减速机

GX SERIES PLANETARY GEAR REDUCER



NO.008

三相异步电动机

THREE-PHASE ASYNCHRONOUS MOTOR

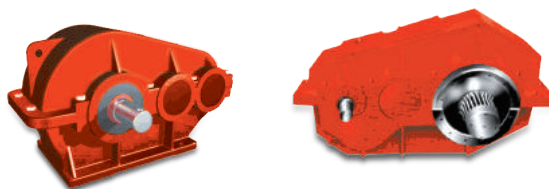


NO.009

软齿面/中硬齿面减速机

(Z/ZQ/ZQA/QJR/QJS)

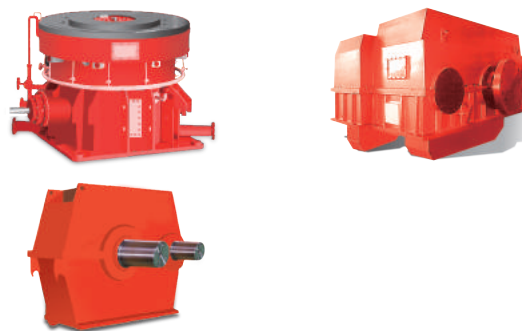
SOFT GEAR REDUCER/HARDENED GEAR REDUCER



NO.010

磨机专用减速机

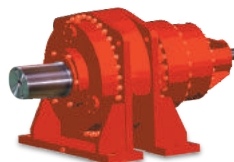
MILL REDUCER



NO.011

GXZZ系列行星齿轮减速机

GXZZ SERIES PLANETARY GEAR REDUCER



NO.012

QY型起重机用硬齿面减速机

QY TYPE CRANES AND HOISTS

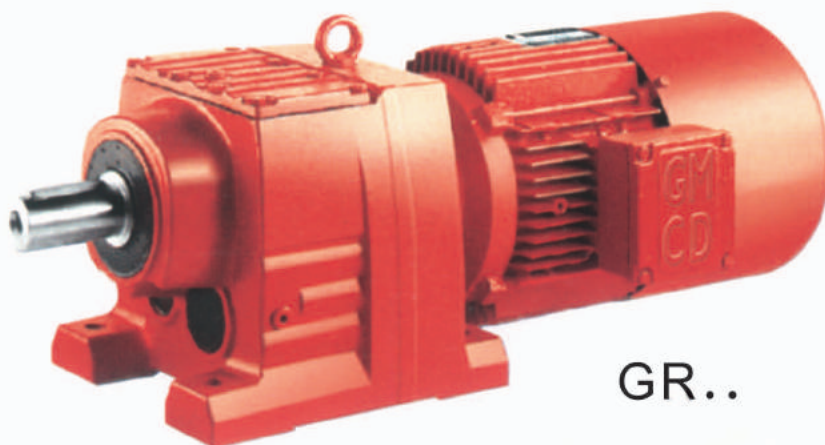
CYLINDRICAL GEAR REDUCER



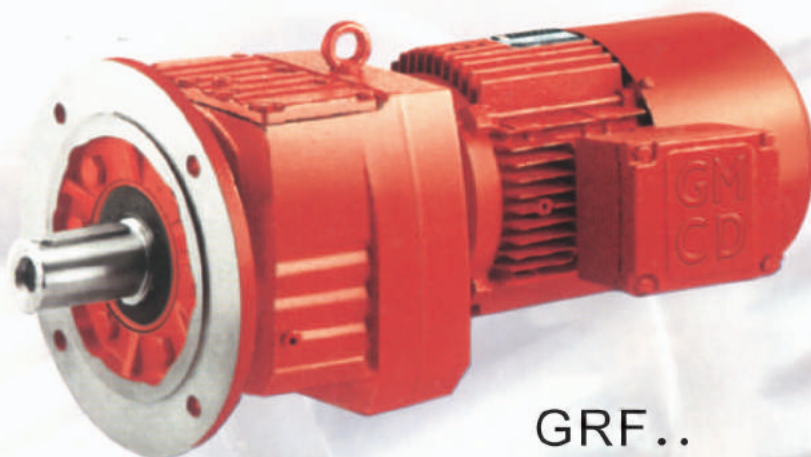


GM — GR

GR Series Helical Geared Motors



GR..



GRF..



GRX..

GR
系列

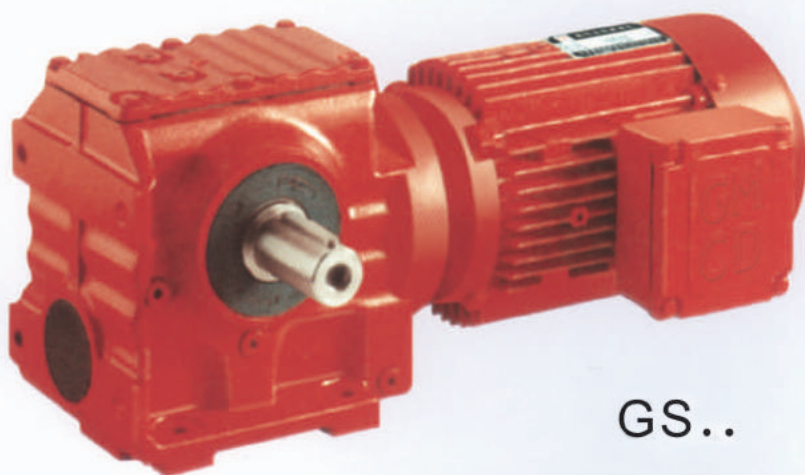
斜
齿
轮
减
速
电
机



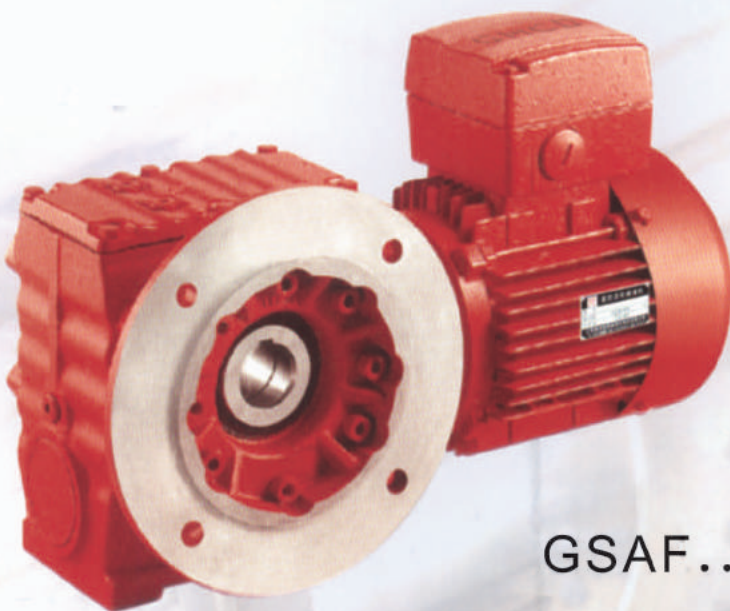
GM — GS

GS Series Helical- Worm Geared Motors

GS
系列
斜
齿
轮
—
蜗
轮
蜗
杆
减
速
电
机



GS..



GSAF..

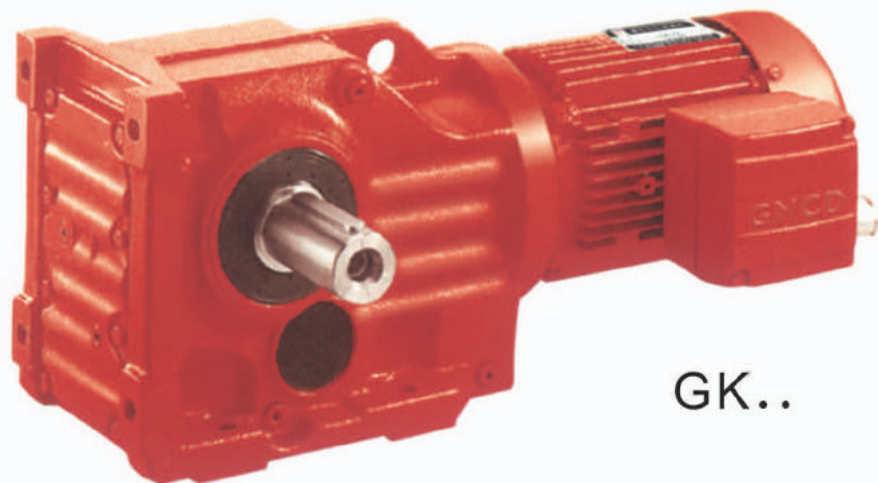


GSA/T..



GM — GK

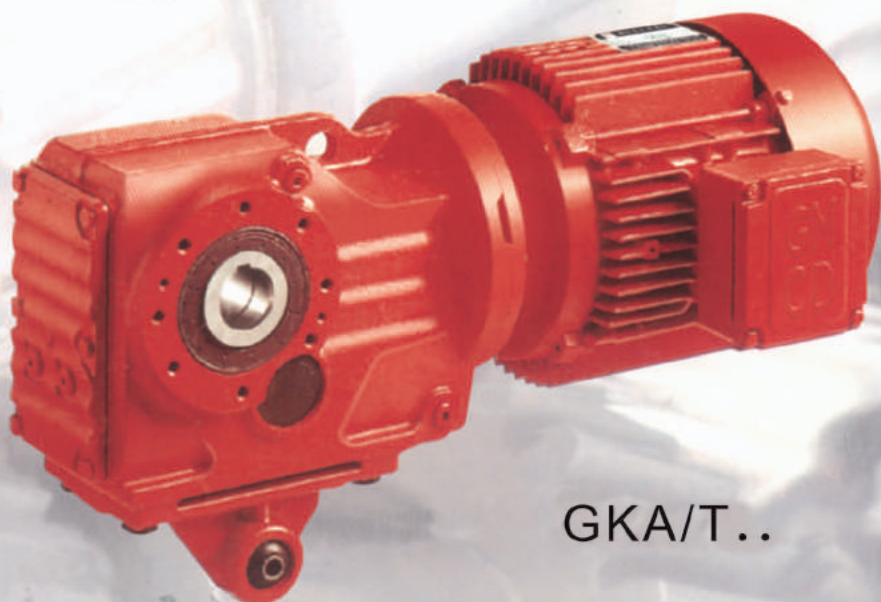
GK Series Helical- Bevel Geared Motors



GK..



GKF..



GKA/T..

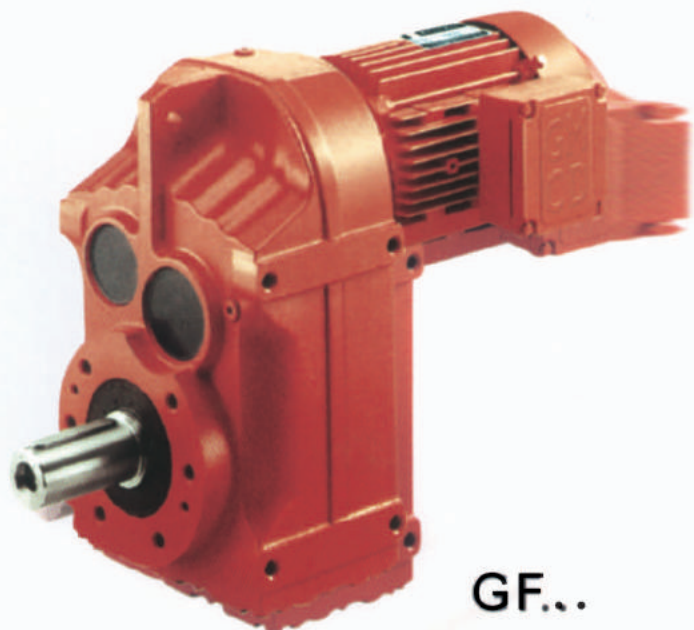
GK
系列
斜齿轮—
弧齿锥齿
轮减速电机



GM — GF

GF Series Parallel-Shaft Helical Geared Motors

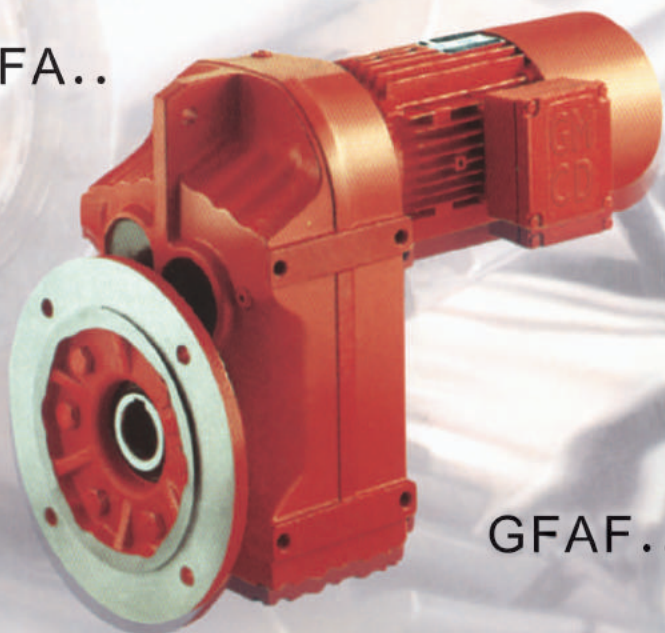
GF
系列
平行轴
— 斜齿
轮减
速电
机



GF...



GFA...



GFAF...



目 录 Content

产品特性	Features of products	1
场所条件	Site conditions	1
选型参数表释义	Description of selection tables	1
选型步骤	Selection steps	3
径向力校核	Overhung loads	8
GRM..选型	Selection procedure of GRM	9
GR 系列(图片) Type of GR series (pictures)		
GR 系列结构型式说明	Dimensional Description	R1
GR 系列机型号表示方法	Type Expression of GR series	R2
GR 系列安装形式图例	Mounting Arrangements Description	R3
GR 系列选型参数表	Selection Table	R4
GR 系列安装结构尺寸	Mounting Dimensional Description	R43
GS 系列(图片) Type of GS series (pictures)		
GS 系列结构型式说明	Dimensional Description	S1
GS 系列机型号表示方法	Type Expression of GS series	S2
GS 系列安装形式图例	Mounting Arrangements Description	S3
GS 系列选型参数表	Selection Table	S4
GS 系列安装结构尺寸	Mounting Dimensional Description	S19
GK 系列(图片) Type of GK series (pictures)		
GK 系列结构型式说明	Dimensional Description	K1
GK 系列机型号表示方法	Type Expression of GK series	K3
GK 系列安装形式图例	Mounting Arrangements Description	K3
GK 系列选型参数表	Selection Table	K4
GK 系列安装结构尺寸	Mounting Dimensional Description	K31
GF 系列(图片) Type of GF series (pictures)		
GF 系列结构型式说明	Dimensional Description	F1
GF 系列机型号表示方法	Type Expression of GF series	F2
GF 系列安装形式图例	Mounting Arrangements Description	F3
GF 系列选型参数表	Selection Table	F4
GF 系列安装结构尺寸	Mounting Dimensional Description	F27
300t、600t、1000t、1500t 叶轮给煤机专用减速机		GYJS1
附录 A	Appendix A	
附录 B	Appendix B	
附录 C	Appendix C	
附录 D	Appendix D	

产品特性

- 1、高度模块化设计:**可以方便地配用各种型式的电动机或采用其它动力输入。同种机型可配用多种功率的电动机。容易实现各机型间组合联接。
- 2、传动比:**划分细,范围广。组合机型可以形成很大的传动比,即输出极低的转速。
- 3、安装形式:**安装位置不受限制。
- 4、强度高、体积小:**箱体采用高强度铸铁。齿轮及齿轮轴采用气体渗碳淬火精磨工艺,因而单位体积承载能力高。
- 5、使用寿命长:**在正确选型(包括选用适当的使用系数)和正常使用维护的条件下,减速机(除易损件外)的主要零部件寿命一般不低于25000小时。易损件包括润滑油、油封以及轴承。
- 6、噪声低:**减速机主要零部件都经过精密加工,并通过精心组装和测试,因而减速机噪声较低。
- 7、效率高:**齿轮减速机效率可达95%,蜗轮效率可达89%。
- 8、可承受较大的径向载荷。**
- 9、可承受不大于径向力5%的轴向载荷。**

场所条件

本减速机适合在环境温度-10℃到+40℃条件下运行,海拔高度可达1000米。

可用于正反转。

无行业限制。

在其它条件下使用时请与技术部联系。

选型参数表释义

1、选型参数表(恒功率):

电机功率 Pm[kW]:表中列出的功率是按 Y₂ 系列电机分级的。

Features of Products

- 1.Highly Standard Modular Designed:** The products are easily connected with and driven by different types of motors or other kinds of input power. The same type geared motor can be adapted to optioned powers of motors. It is therefore easy to realize different solutions for varied requirements.
- 2.Ratio:** Featured many closely divided ratios and wide range of them. Very big final ratios can be obtained through combined unites to reach extremely low output speeds.
- 3.Mounting Arrangement:** No strict limitation to the mounting arrangement.
- 4.High Strength, Compact Dimension:** Housings are made of high strength cast iron. Gears and shaft gears are finished with gas carburising process and precise grinding to sequentially get high loading capacity of per certain volume.
- 5.Long Service Life:** Under the condition of accurately selecting type size and the normal maintenance and use, main components (except those easily-disabled parts) can last as long as up to more than 25,000 hours. Easily-disabled parts include lubricating oil, oil seals, and bearings.
- 6.Low Noise:** All key components are finished by precisely machining, accurate assembly, and finally tested, and therefore, fairly low noise is reached.
- 7.High Efficiency:** The efficiency of gear unit can reach 95%, The efficiency of worm gear unit can reach 89%.
- 8.Large radial loading ability:**
- 9.Axial load ability of up to 5% of radial load.**

Site Conditions

The geared motors are suitable for the operation sites in the ambient temperatures from -10℃ to 40℃ and altitudes up to 1000m above the sea lever.

They can be used both for clockwise running and anti-clockwise running.

There is no limitation to specific application field.

While applied in other aggressive operating atmosphere or environment conditions, please contact our technology department.

Description of Selection Tables

1.Selection Table [Constant Power]:

Motor Power Pm[kW]: Power is indicated on the basis of Y₂ motor.

输出转速 n_a [r/min]: 即输出轴的转速。参考 Y_2 系列电动机满载时的转速和减速机的传动比计算得出, 单位为转/分钟。

输出转矩 M_a [Nm]: 电动机满载时输出轴上可以产生的转矩。此输出转矩已考虑了减速机内部各种效率。

传动比 $[i]$: 减速机从输入到输出间总的实际 (精确) 传动比。

许用径向载荷 F_{Ra} [kN]: 输出轴轴头中点处的许用径向载荷 (载荷作用点在轴端处时, 表中 F_{Ra} 应乘以 0.4)。工作元件的实际径向载荷 F_r 与实际工况系数 f_A 的乘积不得大于此值, 即 $F_{Ra} \geq f_A * F_r$ (f_A 值可参照 f_B 处说明)。

一般工作元件的 F_r 值可由下式求出:

$$F_r = M_r * f_r / r \quad (N)$$

其中: M_r —工作元件的工作扭矩(Nm)

r —工作元件节圆半径(m)

f_r —径向载荷系数。可参考如下取值。

单排链轮 $f_r=1$

一个齿轮或双排链轮 $f_r=1.25$

V 型带 $f_r=1.5$

平型带 $f_r=2.5$

使用系数 f_B : 减速机额定功率与所配用的电动机额定功率的比值。它是选择减速器规格的强度依据。

机型号: 即减速机的机型和规格号。有单机型和组合型两种。组合一般为恒功率条件下的组合。每种机型 (包括某些未列入此表中的同规格变型品种) 都可配备当前栏中所有传动比。其结构尺寸可查阅相应的结构尺寸图表。

电机极数: Y_2 系列电动机极数。

质量[kg]: 减速机的总净重, 不包括电机。此质量只作一般性参考使用。

2、选型参数表 (恒转矩):

恒转矩条件下较为合理的组合。按表中最大输出转矩计算时, 许用使用系数为 1。其它含义同恒功率。

Output Speed n_a [r/min]: Output speed is calculated on the basis of motor's fully loading speed and geared motor's ratio. Unit: revolutions per minute.

Output Torque M_a [Nm]: Torque available at output shaft while motor being fully loaded. All internal efficiency factors have already considered.

Ratio [i]: Exact final total transmission ratio from input to output

Permissible Radial Load F_{Ra} [kN]: Permissible radial load on the middle point of overhung shaft (F_{Ra} value listed in the table must be multiplied by 0.4, if load is placed on the end point of the shaft). The mathematic product of actual radial load F_r and actual service factor f_A should not be bigger than this F_{Ra} . i.e. $F_{Ra} \geq f_A * F_r$ (for f_A , please see the description of f_B).

Normally, F_r of a working unit can be got through the following:

$$F_r = M_r * f_r / r \quad (N)$$

where, M_r – working torque of the working unit (Nm)

r – pitch circle radius of the working unit (m)

f_r – radial load factor, which can be got refer to

the following:

$f_r=1$, for single chain sprocket wheel

$f_r=1.25$, for single gear or for double chain sprocket wheel

$f_r=1.5$, for V-section belt

$f_r=2.5$, for flat belt

Service Factor f_B : The ratio of rated power of gear unit to rated power of motor power. It is essential data to select the size and strength of gear unit.

Type Size of Unit: including type and size. Individual unit and combined units are available. Combination is considered commonly under the constant power condition. Each type (and even some other types not mentioned in the tables) can be assembled or combined to any ratio mentioned in the tables.

For the detailed construction dimension, see the relevant dimensional tables.

Pole Number of Motor: The pole number of Y_2 motor.

Mass (Weight) [kg]: Net weight of geared unit, without the motor. This weight is only for your general reference.

2、Selection Table (Constant Torque):

Constant torque selection table is suitable for the conditions where the constant torque system is applied appropriately.

If the Max. torque listed in this table is used when calculating, service factor is 1.0. The meanings of other terms are similar to ones described in Selection Table (Constant Power).

选型步骤

1、机型的选用

一般由用户根据传动安装布置形式来确定。即 GR、GF 系列用于输入轴与输出轴平行的场合，GS、GK 系列用于输入轴与输出轴垂直的场合。

2、实际工况系数 f_A 的确定

1)、一般使用要求

f_A 主要由工作机的载荷特性、工作时间和起停次数决定。即：

$$f_A = f_{Ah} * f_{Ac}$$

式中 f_{Ah} 由载荷特性和工作时间两个因素决定的工况系数。常用工作机的 f_{Ah} 可参考表工况系数 f_{Ah} 选定。其它工作机的工况系数，可用类比法确定。

式中 f_{Ac} 由启、停次数决定。可参考表工况系数 f_{Ac} 确定。注意启、停要各计一次。

2)、特殊使用要求

若环境温度特别高，要考虑增加温度工况系数 f_{At} 。可参考表工况系数 f_{At} 确定。

若要减速机具有特别高的可靠性，则要增加必要的安全系数 f_{As} 。

数值不能确定时，请与我公司技术部联系。

3、型号（规格）的确定

必须满足条件 $f_B \geq f_A$

1)、恒功率选型

(1)电动机与减速机直联或通过联轴器联接

a、在选型参数表（恒功率）中找到相应的电动机功率、极数。

b、在此功率和极数下，初步选用一个具有相近传动比的机型，并记录下其使用系数 f_B 。

c、比较，若满足条件 $f_B \geq f_A$ ，则就是可用机型。否则，加大机型，直到满足条件。

Selection Steps

1、Type Selection

Types of units are normally selected by customers to meet transmission mounting arrangement requirement. Series GR and series GF are applied to the conditions that input shafts are parallel to output shafts. And, series GS and series GK are applied to the conditions that input shafts are vertical to output shafts.

2、Selection of actual Service Factor f_A

1)、Normal requirement

f_A is determined by load feature, operating hours, and starts and stops number per hour of working unit. The normal total combined service factor is calculated as follows:

$$f_A = f_{Ah} * f_{Ac}$$

Where: f_{Ah} —the factor determined by load feature and operating hours of per day. See the table of f_{Ah} . The other working unit's f_{Ah} out of the table could be determined by analogy.

f_{Ac} —the factor determined by number of starts and stop per hour of working unit.

Attention: the number should be counted even start or stop.

2)、Special requirement

If the ambient temperature is special high, the temperature factor f_{At} should be considered. refer to the factor f_{At} column of selection table.

If requiring higher reliability, the security factor f_{As} should be considered.

When you can't select the value of service factor, please contact with us.

3、Selection of Type (Size)

It is essential to meet following: $f_B \geq f_A$

1)、For constant power

(1)、The motor is mounted directly into gear unit or with coupling

a, Reach to a relevant power and pole number of motor from selection table (constant power)

b, Select rudely a size with close ratio, and record it's f_B .

c, Compare, if meet this formula: $f_B \geq f_A$, then this size of gear unit is available. Otherwise select a bigger size of gear unit until meet it.

(2)电动机与减速机之间具有前置减速联接

如电动机与减速机之间通过齿轮、皮带、链轮等减速装置联接,由于输入转矩的增加,须把电动机功率折算到减速机输入轴上,即把电动机的功率乘以前置减速装置的传动比。用折算的功率,按前述(1)中的方法选取。此时,仍要注意电动机极数不变。

2)、恒转矩选型

按电动机功率、极数和传动比查选型参数表(恒转矩)。此时,工作转矩必须限制在所选的减速机的最大转矩范围内。

4、径向载荷检验

减速机轴头装有齿轮、皮带轮、链轮时,将产生较大的径向载荷。此时,必须进行径向载荷检验。方法见前述选型参数表释义中有关内容。

5、安装条件检验

有安装尺寸条件限制时应作此检验。即把所选用机型号的结构尺寸和可利用的空间尺寸作比较。

若以上都能满足,则按各自的机型号表示方法书写即可。有特殊要求时,可加文字说明。

普通供货约定:

- 1、无特别说明时 Y₂ 系列电动机供货按 IP54 防护等级, F 级绝缘,但一般应按 B 级绝缘条件使用。
- 2、不注明电动机接线盒位置时,通常按安装形式图例中的 0°位置供货。
- 3、不特别提出输出轴与输入轴旋向关系时,一般不在减速机上作出标识。
- 4、减速机出厂时加好润滑油。
- 5、安装结构尺寸图表中已注明不在标准供货范围内的附件一般不提供。

(2).The gear unit with prefixion deceleration unit

When connecting the motor and gear unit using gears, belts or chains, etc. Because the torque of input has been increased, so it is essential to convert motor power into input power of gear unit, the input power is to multiply motor power by radio. Select the size according to the power converted from the selection table. Attention: the unnumber of motor pole is same.

2)、For constant torque

Select the size of gear unit according to the power and pole of motor and radio from selection table (constant torque). It is essential to restrict the working torque under maximal torque of gear unit selected.

4、Radial Load Checking

It will checking overhuang load, if the gears, belts and chains, etc, are fired on the shaft of the gear motors. For checking method, refer to the relevant contents in fore-named description of selection table.

5、Mounting Dimension Checking

Check the mounting dimension when there is a limitation to site mounting condition.

If the selected type by the above method is appropriate to site mounting condition, this final type is standard and should be written in formal type description. If any special requirement is requested, please describe it while placing order.

Normal Delivery Condition:

- 1、Motor: Y₂ motor of protection class IP54 and of insulation class F, while no special request. But this insulation class F motor is generally recommended to be used in the condition where the class B is required.
- 2、Terminal box: Terminal box is at 0°position if no special request (see description of motor terminal box position).
- 3、Rotation direction: There will be no mark of rotation direction for input shaft or output shaft, if the relationship between input shaft and output shaft is not requested.
- 4、Lubricants: Units are supplied with lubricant oil before delivery.
- 5、Accessories: Generally, accessories excluded in mounting dimension table do not belong to our standard supply.

Design and specifications are subject to change without notice, Please forgive.

本样本中如有改进之处,不另作通知,请谅解。

工况系数 f_{Ah}

应用	8h/天	16h/天	24h/天
食品工业			
粉碎机	1.75	2	2.25
甜菜切片机 揉面机	1.25	1.5	1.75
碾肉机	1.25	1.5	1.5
填充机	0.8~1*	1	1.25
和面机	1	1.25	1.5
挤压机	1.25	1.5	1.75
甘蔗切碎机	1.75	1.75	1.75
榨糖机	1.75	1.75	1.75
烤面包机	1.25	1.25	1.25
辅助动力、伺服系统			
微动装置, 无载荷	0.8~1*		
普通载荷	1.25	1.25	1.25
压缩机			
离心式	1	1.25	1.5
轴流式	1	1.25	1.5
过滤机	1	1.25	1.5
建筑业			
水泥搅拌机	1.25	1.5	1.75
水泥厂	1.5	1.75	2
灰泥喷射机	0.8~1*	1	1.25
发电机	0.8~1*	1	1.25
水处理、环保			
曝气机	1.75	2.0	2.0
普通通风装置	1.5	1.5	1.5
旋转木马式通风装置	1.75	1.75	1.75
条栅式筛子 搜集器	0.8~1*	1	1.25
螺旋泵	1	1.25	1.5
筛子			
旋转式 (石头, 砂)	1	1.25	1.5
行进式吸水机	0.8~1*	1	1.25
农用机械			
施肥平土机	0.8~1*	1	
收割机	0.8~1*	1	
起重机械			
行走机构	1.5	1.75	2.0
回转机构	1.25	1.5	2.0
起升机构	1.25	1.5	1.75
转臂式起重机	1.25	1.5	1.75

Service Factor f_{Ah}

Application	8 hours / day	16 hours /day	24 hours /day
Food industry			
Crushers	1.75	2	2.25
Beet slicers, kneaders	1.25	1.5	1.75
Meat grinders	1.25	1.5	1.5
Filling machines	0.8~1*	1	1.25
Dough mixers	1	1.25	1.5
Extruders	1.25	1.5	1.75
Sugar cane knives	1.75	1.75	1.75
Sugar roller mills	1.75	1.75	1.75
Toasters	1.25	1.25	1.25
Auxiliary drives, servicing			
Inching, no load	0.8~1*		
Normal duty	1.25	1.25	1.25
Compressors			
Centrifugal	1	1.25	1.5
Lobe	1	1.25	1.5
Filters	1	1.25	1.5
Construction industry			
Cement mixers	1.25	1.5	1.75
Cement mills	1.5	1.75	2
Mortar spraying machine	0.8~1*	1	1.25
Generators	0.8~1*	1	1.25
Water treatment, environment tools			
Aerators	1.75	2.0	2.0
Common aerators	1.5	1.5	1.5
Carrousel aerators	1.75	1.75	1.75
Bar screens, collectors	0.8~1*	1	1.25
Screw pumps	1	1.25	1.5
Screens			
Rotary (for stone, for gravel)	1	1.25	1.5
Traveling water intake	0.8~1*	1	1.25
Agricultural machinery			
Manure scrapers	0.8~1*	1	
Harvesting machines	0.8~1*	1	
Cranes and hoists			
Travel gears	1.5	1.75	2.0
Slewing gears	1.25	1.5	2.0
Hoisting gears	1.25	1.5	1.75
Derricking jib cranes	1.25	1.5	1.75

工况系数 f_{Ah}

混合机			
均匀密度	1.25	1.5	1.5
不均匀密度	1.5	1.75	1.75
木材和塑料工业			
电锯的主动动力	1.5	1.75	2
电锯的进给动力	1	1.25	1.5
砍木机	1.5	1.75	2
胶合板胶合机	0.8~1*	1	1.25
钻孔机	0.8~1*	1	1.25
挤压机	1.25	1.5	1.75
搅拌机			
纯液体 (均匀密度)	1.25	1.5	1.5
非均匀密度的液体	1.5	1.75	2.0
液体和固体	1.5	1.75	2.0
磨机			
球磨机, 棒磨机	1.75	1.75	1.75
锤磨机, 粉碎机	1.5	1.75	2
印刷和制纸技术			
切割机	1	1.25	1.5
卷筒	0.8~1*	1	1.25
打包进料机	1	1.25	1.25
电梯			
提升机	1.25	1.5	1.75
货运电梯	1.25	1.5	1.75
自动扶梯	1.25	1.25	1.5
纺织工业			
织机	1.25	1.5	1.75
纺纱机	0.8~1*	1	1.25
洗涤机	1	1.25	1.5
输送机			
斗式输送机	1.5	1.75	1.75
平衡加荷或喂料	0.8~1*	1	1.25
重载链和螺旋输送	1.25	1.5	1.5
振动输送机	1.5	1.75	2
卷扬机	1.5	1.75	1.75
皮带输送机	1.25	1.5	1.5
绞车	1.5	1.75	1.75
刮板式输送机	1.25	1.25	1.5
风扇			
离心式风扇	0.8~1*	1	1.25

Service Factor f_{Ah}

Mixers			
Constant density	1.25	1.5	1.5
Variable density	1.5	1.75	1.75
Lumber and plastic industry			
Main drive for saws	1.5	1.75	2
Feed drive for saws	1	1.25	1.5
Chopping machines	1.5	1.75	2
Veneer gluing machines	0.8~1*	1	1.25
Drilling machines	0.8~1*	1	1.25
Extruders	1.25	1.5	1.75
Agitators			
Pure liquids (constant density)	1.25	1.5	1.5
Liquids with variable density	1.5	1.75	2.0
Liquids and solids	1.5	1.75	2.0
Mills			
Ball, rod	1.75	1.75	1.75
Hammer, desintegrator	1.5	1.75	2
Printing and Paper techniques			
Cutters	1	1.25	1.5
Reels	0.8~1*	1	1.25
Bale feeders	1	1.25	1.25
Elevators			
Bucket elevators	1.25	1.5	1.75
Freight elevators	1.25	1.5	1.75
Escalators	1.25	1.25	1.5
Textile industry			
Looms	1.25	1.5	1.75
Spinners	0.8~1*	1	1.25
Washers	1	1.25	1.5
Conveyors			
Bucket conveyors	1.5	1.75	1.75
Uniformly loaded or fed	0.8~1*	1	1.25
Heavy duty, chain & screw conveyors	1.25	1.5	1.5
Shaker conveyors	1.5	1.75	2
Hoists	1.5	1.75	1.75
Belt conveyors	1.25	1.5	1.5
Hauling winches	1.5	1.75	1.75
Apron conveyors	1.25	1.25	1.5
Fans			
Centrifugal	0.8~1*	1	1.25

工况系数 f_{Ah}

工业风扇	1	1.25	1.5
冷却塔动力	1.75	1.75	1.75
冷却塔风扇	1.75	2.0	2.0
包装机械			
纸板堆叠机械	1.25	1.5	1.75
打包机	0.8~1*	1	1.25
机床设备			
平面刨床, 龙门刨床, 弯轧机	1.25	1.5	1.75
主动力, 进给动力	1	1.25	1.5
进给和辅助动力	0.8~1*	1	1.25
压力机	1.75	2	2
折弯机	1.5	1.75	2
剪板机	1.75	2	2
钢铁工业			
拉线机	1.25	1.5	1.75
绕线机	1.25	1.75	1.75
轧辊辊道: 无回转			
—组合动力	1.25	1.5	1.75
—独立动力	1.5	1.75	2
泵			
离心式	1	1.25	1.5
旋转式, 齿轮型, 叶轮型, 叶片型	0.8~1*	1	1.25
活塞泵: 单缸	1.5	1.75	2
多缸	1.25	1.5	1.75
螺旋泵	1	1.25	1.5

Service Factor f_{Ah}

Industrial fans	1	1.25	1.5
Cooling tower drivers	1.75	1.75	1.75
Cooling tower fans	1.75	2.0	2.0
Packing machine			
Cardboard stacking machine	1.25	1.5	1.75
Wrapping machine	0.8~1*	1	1.25
Machine tools			
Plate surfacers, plate planers, bending rolls	1.25	1.5	1.75
Main drives, feed drives	1	1.25	1.5
Feed and auxiliary drive	0.8~1*	1	1.25
Presses	1.75	2	2
Folding machines	1.5	1.75	2
Plate shears	1.75	2	2
Iron and steel industry			
Wire draw benches	1.25	1.5	1.75
Winding machines	1.25	1.75	1.75
Rolling mill: non reversing			
— group drives	1.25	1.5	1.75
— Individual drives	1.5	1.75	2
Pumps			
Centrifugal	1	1.25	1.5
Rotary, gear type, lobe, vane	0.8~1*	1	1.25
Piston pumps: singl cylinder	1.5	1.75	2
multi-cylinder	1.25	1.5	1.75
Screw pumps	1	1.25	1.5

工况系数 f_{Ac}

启停次数/每小时	
<10	1
<100	1.15
<500	1.25

Service Factor f_{Ac}

Number of starts and stop/ hour	
<10	1
<100	1.15
<500	1.25

工况系数 f_{At}

环境 温度	+20℃…	+20℃… +30℃	+30℃… +40℃	+40℃… +50℃	+50℃… +60℃
f_{At}	1	1.1	1.25	1.5	1.75

Service Factor f_{At}

Ambient temperature	+20℃…	+20℃… +30℃	+30℃… +40℃	+40℃… +50℃	+50℃… +60℃
f_{At}	1	1.1	1.25	1.5	1.75

*=0.8, 假如运行时间少于 3 小时/天, 并无径向载荷作用。

这些工况系数是基于 AGMA 和 ISO 的推荐以及我们的经验所得。特别适用于电动机作为主要动力的场合。对于特殊应用设计, 例如大的惯性系数, 请与我公司技术部联系。

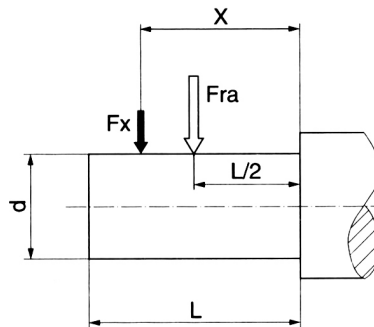
*=0.8, if hours of operation < 3 hours/24 hour and no radial overhung load is applied.

These service factors are recommended on the basis of AGMA and ISO specifications and our experiences. They apply for electric motors as prime movers preferably. For specially designed applications, e.g. large inertia factor, please contact our technology department.

径向力校核 Overhung loads

实际作用点不在齿轴中间时,需用下述公式对选型表中的许用径向力值进行计算

The approved overhung loads given in the selection tables must be calculated using the following formulae in the event of force application not in the center of the shaft end.



当 $0 \leq X < L/2$ 时	$F_x = [1.25 - (X/2L)] * F_{ra}$	[N]
当 $X = L/2$ 时	$F_x = F_{ra}$	[N]
当 $L/2 < X \leq L$ 时	$F_x = [1.6 - (1.2X/L)] * F_{ra}$	[N]

F_{ra} —选型表中给出的许用载荷(作用在 $X=L/2$)

Approved overhung loads ($X=L/2$) for foot-mounted gear units according to the selection tables in [N]

F_x —实际作用点的许用径向载荷

Approved overhung loads of formulae in the event of force application in [N]

X —载荷到力作用点的距离

Distance from the shaft shoulder to the force application point in [mm]

L —输出轴轴伸长度

Length of output shaft in [mm]

工作元件的实际径向载荷 F_r 与实际工况系数 f_A 的乘积不得大于实际作用点的许用径向载荷 F_x , 即 $F_x \geq f_A * F_r$ (见样本第 2 页)

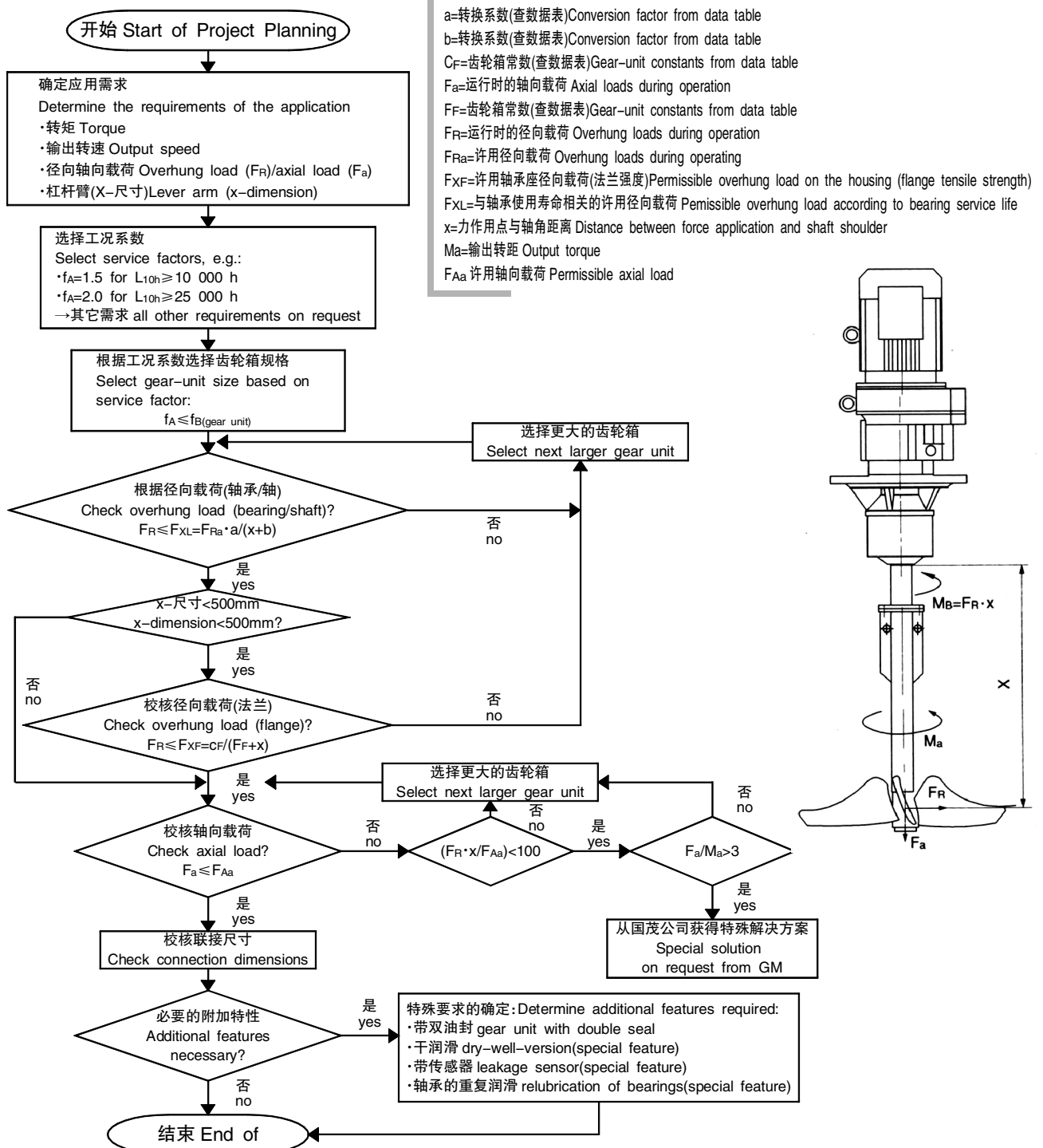
The mathematic product of actual overhung loads F_r and actual service factor f_A should not be bigger than the approved overhung loads of formulae in the event of force application F_x , i.e. $F_x \geq f_A * F_r$. (Please see Page.2)

GRM..选型 Selection procedure of GRM..

GRM 齿轮减速电机 GRM geared motors

GRM 齿轮减速电机是一种带有扩展输出轴承座的特种齿轮减速电机,可用于大悬挂载荷、大轴向载荷和大变化载荷的场合。其主要性能参数同 R 系列标准齿轮减速电机,外形及安装尺寸可参考“RM 齿轮减速电机”部分图。

GRM geared motors are a special type of helical geared motor with an extended output bearing housing. They are specially designed for agitator applications and can be used in applications subject to high overhung and axial loads as well as flexural torque. The remaining data correspond to the standard helical geared motors. You can find special project planning notes for RM geared motors in “RM gear units” in the “Project Planning for Gear Units” section.



许用径向和轴向载荷

Permitted overhung and axial loads

根据不同的服务系数 f_B 和不同的标称轴承使用寿命 L_{H10} 提供下述的许用径向载荷 F_{Ra} 和轴向载荷 F_{Aa} 。

The permitted overhung loads F_{Ra} and axial loads F_{Aa} are specified for various service factors f_B and nominal bearing service life L_{H10} .

$$f_A=1.5/L_{10h}=10\ 000h$$

		n_a [rpm]							
		<16	16–25	26–40	41–60	61–100	101–160	161–250	251–400
GRM57	F_{Ra} [N]	400	400	400	400	400	405	410	415
	F_{Aa} [N]	18800	15000	11500	9700	7100	5650	4450	3800
GRM67	F_{Ra} [N]	575	575	575	580	575	585	590	600
	F_{Aa} [N]	19000	18900	15300	11900	9210	7470	5870	5050
GRM77	F_{Ra} [N]	1200	1200	1200	1200	1200	1210	1210	1220
	F_{Aa} [N]	22000	22000	19400	15100	11400	9220	7200	6710
GRM87	F_{Ra} [N]	1970	1970	1970	1970	1980	1990	2000	2010
	F_{Aa} [N]	30000	30000	23600	18000	14300	11000	8940	8030
GRM97	F_{Ra} [N]	2980	2980	2990	3010	3050	3060	3060	3080
	F_{Aa} [N]	40000	36100	27300	20300	15900	12600	9640	7810
GRM107	F_{Ra} [N]	4230	4230	4230	4230	4230	4230	3580	3830
	F_{Aa} [N]	48000	41000	30300	23000	18000	13100	9550	9030
GRM137	F_{Ra} [N]	8710	8710	8710	8710	7220	5060	3980	6750
	F_{Aa} [N]	70000	70000	70000	57600	46900	44000	35600	32400
GRM147	F_{Ra} [N]	11100	11100	11100	11100	10600	10600	8640	10800
	F_{Aa} [N]	70000	70000	69700	58400	45600	38000	32800	30800
GRM167	F_{Ra} [N]	14600	14600	14600	14600	14600	14700	–	–
	F_{Aa} [N]	70000	70000	70000	60300	45300	36900	–	–

$$f_A=2.0/L_{10h}=25\ 000h$$

		n_a [rpm]							
		<16	16–25	26–40	41–60	61–100	101–160	161–250	251–400
GRM57	F_{Ra} [N]	410	410	410	410	410	415	415	420
	F_{Aa} [N]	12100	9600	7350	6050	4300	3350	2600	2200
GRM67	F_{Ra} [N]	590	590	590	595	590	595	600	605
	F_{Aa} [N]	15800	12000	9580	7330	5580	4460	3460	2930
GRM77	F_{Ra} [N]	1210	1210	1210	1210	1210	1220	1220	1220
	F_{Aa} [N]	20000	15400	11900	9070	6670	5280	4010	3700
GRM87	F_{Ra} [N]	2000	2000	2000	2000	2000	1720	1690	1710
	F_{Aa} [N]	24600	19200	14300	10600	8190	6100	5490	4860
GRM97	F_{Ra} [N]	3040	3040	3040	3050	3070	3080	2540	2430
	F_{Aa} [N]	28400	22000	16200	11600	8850	6840	5830	4760
GRM107	F_{Ra} [N]	4330	4330	4330	4330	4330	3350	2810	2990
	F_{Aa} [N]	32300	24800	17800	13000	9780	8170	5950	5620
GRM137	F_{Ra} [N]	8850	8850	8850	8830	5660	4020	3200	5240
	F_{Aa} [N]	70000	59900	48000	37900	33800	31700	25600	23300
GRM147	F_{Ra} [N]	11400	11400	11400	11400	11400	8320	6850	8440
	F_{Aa} [N]	70000	60600	45900	39900	33500	27900	24100	22600
GRM167	F_{Ra} [N]	15100	15100	15100	15100	15100	13100	–	–
	F_{Aa} [N]	70000	63500	51600	37800	26800	23600	–	–

转换系数和齿轮箱常数

Conversion factors and gear unit constants

计算 GRM 齿轮减速电机额定径向载荷 F_{xL} ($x \neq 1000\text{mm}$) 的转换系数

The following conversion factors and gear unit constants apply to calculating the approved overhung load F_{xL} at point $x \neq 1000$ mm for GRM geared motors:

齿轮箱型号 Gear unit type	a	b	$C_F(f_B=1.5)$	$C_F(f_B=2.0)$	F_F
GRM57	1047	47	1220600	1260400	277
GRM67	1047	47	2047600	2100000	297.5
GRM77	1050	50	2512800	2574700	340.5
GRM87	1056.5	56.5	4917800	5029000	414
GRM97	1061	61	10911600	11124100	481
GRM107	1069	69	15367000	15652000	554.5
GRM137	1088	88	25291700	25993600	650
GRM147	1091	91	30038700	31173900	756
GRM167	1089.5	89.5	42096100	43654300	869

GRM 减速箱的增加重量

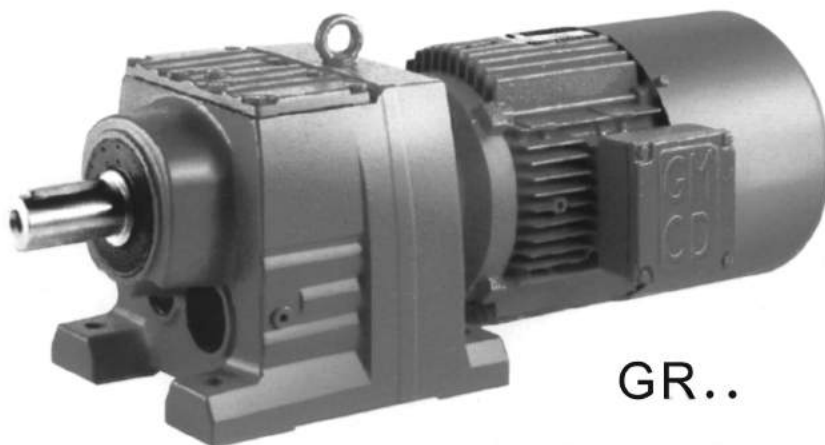
Additional weights of GRM gear units

型号 Type	用 GRF 系列最小的法兰所增加的重量表 Additional weight in addition to RF, related to the smallest GRF flange $\Delta m[\text{kg}]$
GRM57	12.0
GRM67	15.8
GRM77	25.0
GRM87	29.7
GRM97	51.3
GRM107	88.0
GRM137	111.1
GRM147	167.4
GRM167	195.4



GM — GR

GR Series Helical Geared Motors



GR..



GRF..



GRX..

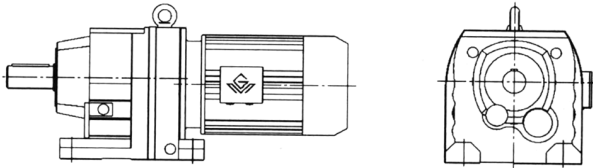
GR
系列

斜
齿
轮
减
速
电
机

结构型式说明 Dimensional Description

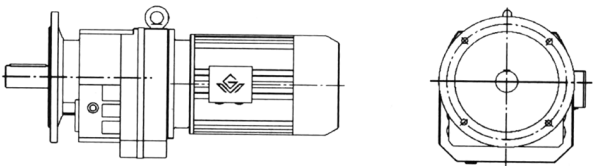
1、GR 型:底脚安装三级或二级斜齿轮减速电机。

Type GR: Foot mounted units of two or three stages helical gears.



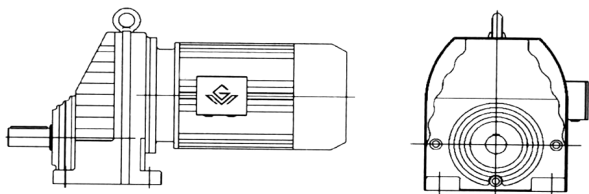
2、GRF 型:法兰安装三级或二级斜齿轮减速电机。

Type GRF: B5 flange mounted units of two or three stages helical gears.



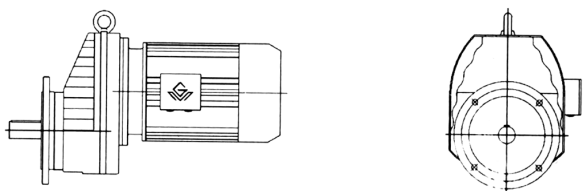
3、GRX 型:底脚安装单级斜齿轮减速电机。

Type GRX: Foot mounted units of single stage helical gears.



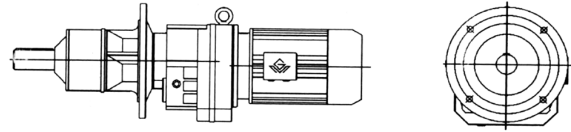
4、GRXF 型:法兰安装单级斜齿轮减速电机。

Type GRXF: Flange mounted units of single stage helical gears.



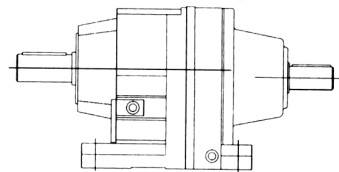
5、GRM 型:带有加长轴承箱的法兰安装斜齿轮减速电机。

Type GRM: Flange mounted helical geared motor with extended bearing housing.



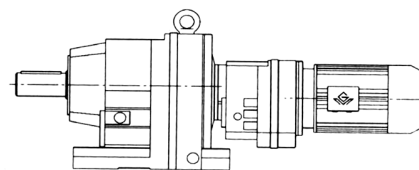
6、GR.SZAD.型:输入轴型,作为上述各种机型的变型品种,即不配电动机而配用输入轴。

Type GR.SZAD.: Input shaft type. As altered type from above mentioned types, it is connected with input shaft, instead of motor.

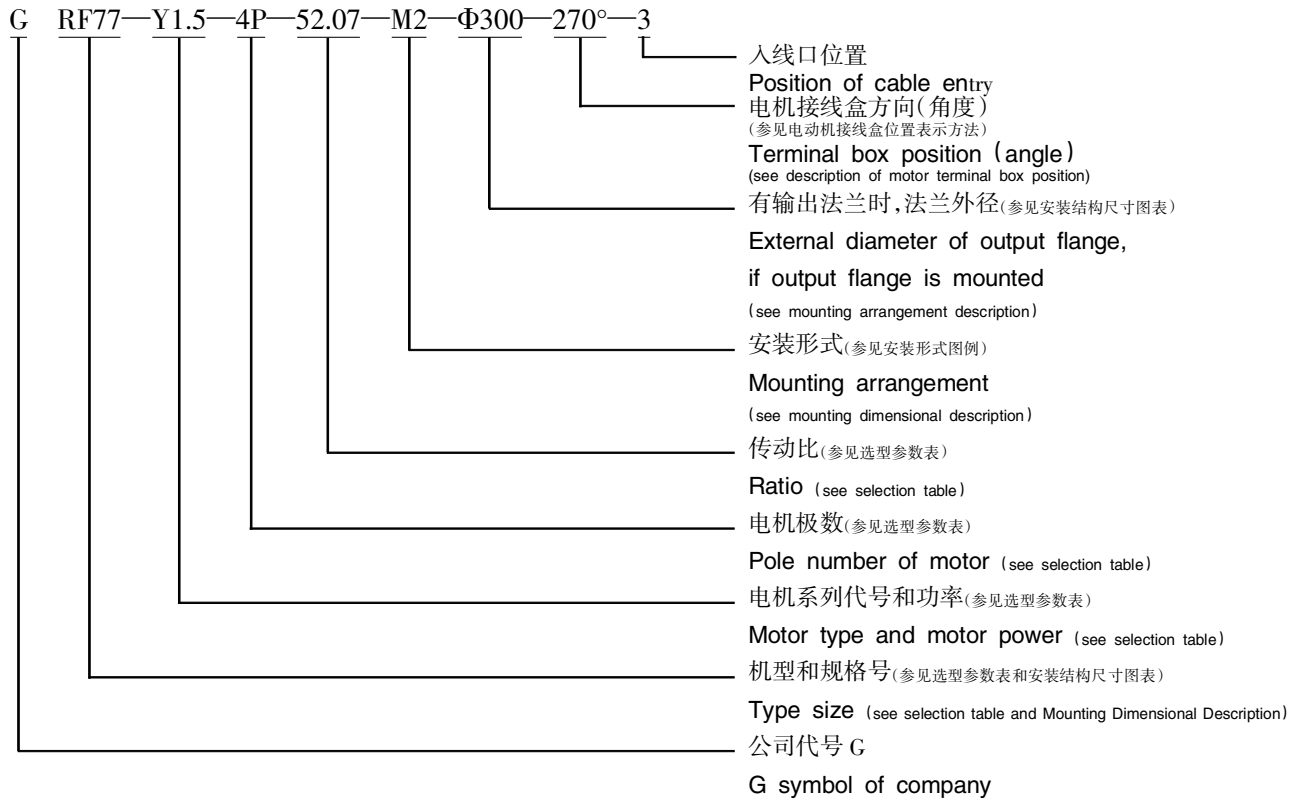


7、GR..R 型:两机型的组合,可形成很大的传动比。

Type GR..R: Combined types of two different types. Very big ratios are available with these combined units.



GR系列机型号表示方法 **Type Expression of GR Series**



注:1、需带联接法兰时请注明。

2、输入轴型没有电动机各项内容。

3、不注明接线盒方向时,则默认为安装形式中的 0 度位置。不注明入线口位置时,则默认为 X 位置。

4、对输出轴旋转方向和输入轴旋转方向有特别要求的用户,请与技术部联系,并在订货时用简图或文字说明。

Note: 1、Please make a note, if it needs connecting flange.

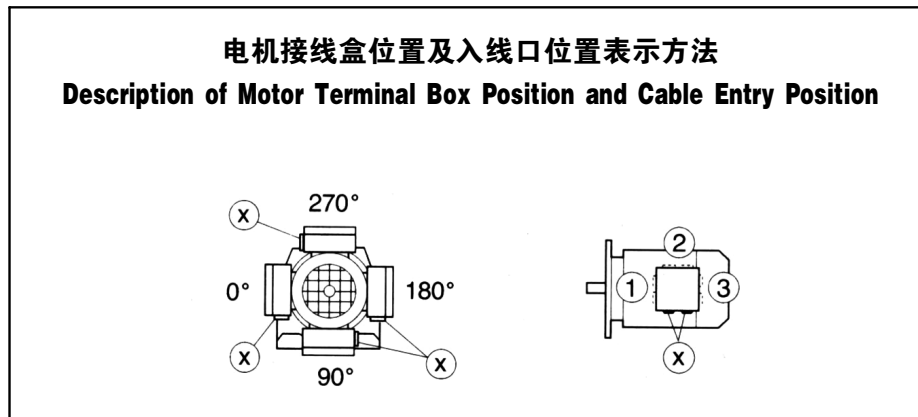
2、Contents of motors for input shaft types are not listed.

3、Degree=0°, if terminal box position is not mentioned. It is x, if cable entry position is not mentioned.

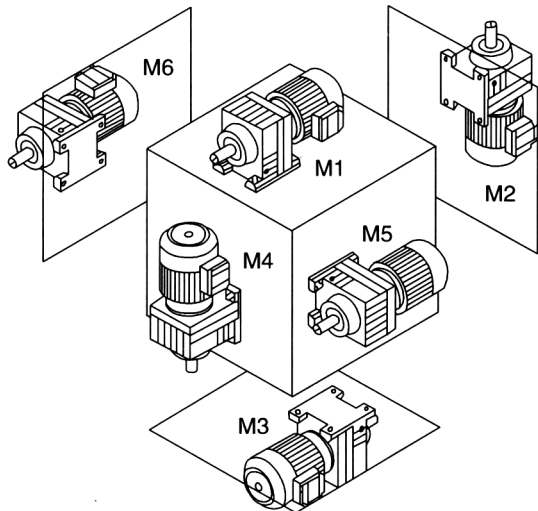
4、If specific rotation directions of output shaft or/and input shaft are specially requested, please contact our technology department, and make detailed description while placing order.

电机接线盒位置及入线口位置表示方法

Description of Motor Terminal Box Position and Cable Entry Position



安装形式图例



各种安装形式定义为:

M1—电机水平放置; 减速机底脚 (GR、GRX 型) 或底部 (GRF、GRXF 型)朝下。

M2—电机居下。

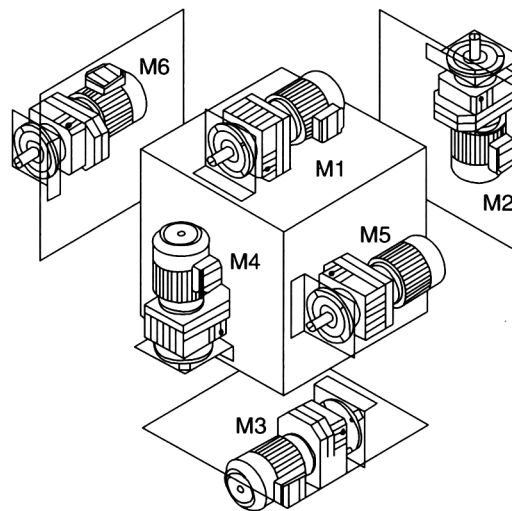
M3—电机水平放置; 减速机底脚 (GR、GRX 型) 或底部 (GRF、GRXF 型)朝上。

M4—电机居上。

M5—电机水平放置;当减速机在 M1 安装位置时,从电机方向看,减速机的左面旋转到下方位置。

M6—电机水平放置;当减速机在 M1 安装位置时,从电机方向看,减速机的左面旋转到上方位置。

Mounting Arrangements Description



Different kinds of mounting arrangements are defined as following:

M1—horizontally mounted motor, unit foot (for GR, GRX) or unit base (for GRF, GRXF) is at bottom.

M2—motor is vertically mounted downwards.

M3—horizontally mounted motor, unit foot (for GR, GRX) or unit base (for GRF, GRXF) is top.

M4—motor is vertically mounted upwards.

M5—horizontally mounted motor, if placed on M1 position, left side of unit turns to bottom (view point: towards from motor side).

M6—horizontally mounted motor, if placed on M1 position, left side of unit turns to top (view point: towards from motor side).

减速机重量 (Gear unit weight)

规格 Size	GR17	GR27	GR37	GR47	GR57	GR67	GR77	GR87	GR97	GR107	GR137	GR147	GR167	GR177
重量(kg) Weight	5	6	7.5	13	21	25	35	67	100	187	280	450	795	1250
规格 Size	GRX57	GRX67	GRX77	GRX87	GRX97	GRX107	GRX137							
重量(kg) Weight	11	15	25	47	80	115	130							

注:重量为平均值,不包括电机,仅供参考。(Note: The weights are mean values, without the motor, only for reference.)

选型表注释 Description of selection table

恒功率 Constant power

n_a [r/min]	M_a [Nm]	i	F_{ra} [kN]	F_B	机型号 Type size	极数 Pole
↓	↓	↓	↓	↓	↓	↓
输出转速 Output speed	输出转矩 Output torque	减速机速比 Gear unit ratio	许用径向载荷 Permissible radial load	使用系数 Service factor		

恒转矩 Constant torque

M_{max} [Nm]	n_a [r/min]	i	F_{ra} [kN]	机型号 Type size	P [kW]/4P
↓	↓	↓	↓	↓	↓
最大输出转矩 Max. output torque	输出转速 Output speed	减速机速比 Gear unit ratio	许用径向载荷 Permissible radial load		电机功率 Motor power

选型参数表
(恒功率)

Selection Table
(Constant Power)

n_a [r/min]	Ma [Nm]	i	F_{ra} [kN]	f_B	机型号 Type size	极数 Pole	n_a [r/min]	Ma [Nm]	i	F_{ra} [kN]	f_B	机型号 Type size	极数 Pole																																																																																																																																																																																																																																																																																																																																																																																																																																																																																																																																																																																																																																																																																																															
0.12kW							0.12kW																																																																																																																																																																																																																																																																																																																																																																																																																																																																																																																																																																																																																																																																																																																					
0.06	16754	21221	56	0.80	GR147R77 GRF147R77	4P	0.92	1129	1430	7.8	0.80	GR77R37 GRF77R37	4P																																																																																																																																																																																																																																																																																																																																																																																																																																																																																																																																																																																																																																																																																																															
0.07	14296	18107	61	0.95			0.08	12500	15833	64	1.10			0.09	10925	13837	65	1.25	0.11	9694	12278	67	1.40	GR147R77 GRF147R77	4P	1.0	1029	1303	8.6	0.85	GR77R37 GRF77R37	4P	0.12	8751	11084	68	1.60	0.13	7706	9760	69	1.80	0.16	6628	8395	69	2.10	0.18	5779	7320	70	2.40	0.20	5084	6439	70	2.70	0.24	4322	5474	70	3.20	GR137R77 GRF137R77	4P	1.2	887	1124	10	1.00	0.10	10219	12943	50	0.85	1.3	827	1047	10	1.05	0.11	9262	11731	52	0.90	1.4	722	915	11	1.20	0.12	8360	10589	54	1.00	0.94	1101	1394	8.2	0.80	0.15	6946	8798	55	1.20	1.1	962	1218	10	0.90	0.17	5914	7491	56	1.45	1.2	856	1084	10	1.00	0.20	5187	6570	57	1.65	1.4	742	940	11	1.15	0.22	4614	5844	57	1.85	1.6	648	821	11	1.35	0.26	4046	5125	57	2.10	1.8	577	731	12	1.50	0.17	5987	7583	27	0.80	2.0	510	646	12	1.70	0.19	5324	6743	30	0.85	2.5	411	520	12	2.10	0.22	4669	5914	31	1.00	2.9	356	451	12	2.45	0.25	4080	5168	33	1.10	3.1	333	422	12	2.60	0.30	3502	4435	34	1.30	3.6	288	365	12	3.00	0.34	3076	3896	35	1.50	1.4	755	956	5.7	0.85	0.43	2399	3039	35	1.90	1.5	703	891	7.1	0.90	0.33	3093	3918	34	1.45	1.8	576	730	8.2	1.10	0.39	2639	3343	35	1.70	2.0	508	644	8.7	1.25	0.43	2395	3034	35	1.90	2.3	451	571	9.0	1.40	0.49	2095	2653	35	2.15	2.7	384	486	9.3	1.65	0.57	1800	2280	35	2.50	1.6	660	836	7.6	0.95	0.63	1632	2067	36	2.80	1.7	592	750	8.4	1.05	0.29	3599	4559	20	0.90	2.0	510	646	8.7	1.25	0.33	3161	4004	23	1.00	2.3	453	574	9.0	1.40	0.38	2748	3481	24	1.15	2.6	391	495	9.3	1.60	0.28	3693	4678	3.8	0.85	3.0	346	438	9.5	1.85	0.30	3402	4309	20	0.95	1.7	617	782	5.4	0.80	0.35	2923	3702	23	1.10	1.9	535	678	6.8	0.90	0.43	2384	3019	25	1.30	2.2	477	604	7.0	1.00	0.49	2106	2668	26	1.50	2.4	424	537	7.1	1.10	0.58	1772	2245	26	1.80	2.8	372	471	7.2	1.30	0.65	1592	2016	27	2.00	3.7	282	357	7.4	1.70	0.76	1368	1733	27	2.30	4.1	252	319	7.4	1.90	0.43	2420	3065	25	1.30	3.6	283	359	7.4	1.70	0.48	2149	2722	26	1.50	4.0	256	324	7.4	1.85	0.57	1825	2311	26	1.75	4.5	229	290	7.5	2.10	0.63	1641	2078	26	1.95	5.0	207	262	7.5	2.30	0.72	1439	1823	27	2.20	5.3	194	246	7.5	2.45	0.83	1250	1583	27	2.55	6.0	174	220	7.5	2.75	0.94	1102	1396	27	2.90	2.3	452	572	2.4	0.80	1.1	970	1228	27	3.30	2.6	403	510	4.9	0.80	0.45	2278	2885	15	0.80	3.0	344	436	5.3	0.90	0.67	1555	1969	18	1.05	3.2	322	408	5.3	1.00	0.47	2196	2781	10	0.80	3.8	272	344	5.5	1.15	0.50	2057	2606	15	0.80	2.6	396	502	3.6	0.80	0.61	1688	2138	17	0.95	3.1	339	429	5.2	0.95	0.68	1530	1938	18	1.05	3.5	294	372	5.4	1.10	0.75	1374	1740	18	1.20	3.8	275	348	5.4	1.15	0.75	1377	1744	19	1.20	4.4	238	301	5.5	1.35	0.86	1208	1530	19	1.35	5.1	201	255	5.7	1.55	1.0	1033	1308	19	1.60	5.7	180	228	5.7	1.75	1.1	906	1148	19	1.80	6.7	154	195	5.7	2.10	1.5	702	889	19	2.35	3.9	267	338	4.5	0.80	1.7	616	780	19	2.65	4.4	234	296	4.7	0.90	1.9	543	688	19	3.00	5.1	204	259	5.0	1.00	2.2	474	601	19	3.50	5.7	180	228	5.1	1.15						6.6	157	199	5.3	1.35						7.6	136	172	5.4	1.55						4.0	259	328	4.3	0.80						4.5	228	289	4.7	0.90						4.9	209	265	4.9	1.00						5.8	178	226	5.2	1.20						6.5	159	202	5.3	1.30						7.3	141	179	5.4	1.50	
0.08	12500	15833	64	1.10			0.09	10925	13837	65	1.25			0.11	9694	12278	67	1.40	GR147R77 GRF147R77	4P	1.0	1029	1303			8.6	0.85	GR77R37 GRF77R37	4P	0.12			8751	11084	68	1.60	0.13	7706	9760	69	1.80	0.16	6628	8395	69	2.10	0.18	5779	7320	70	2.40	0.20	5084	6439	70	2.70	0.24	4322	5474	70	3.20	GR137R77 GRF137R77			4P	1.2	887	1124	10	1.00	0.10	10219	12943	50	0.85	1.3	827	1047	10	1.05	0.11	9262	11731	52	0.90	1.4	722	915	11	1.20	0.12	8360	10589	54	1.00	0.94	1101	1394	8.2	0.80	0.15	6946	8798	55	1.20	1.1	962	1218	10	0.90	0.17	5914	7491	56	1.45	1.2	856	1084	10	1.00	0.20	5187	6570	57	1.65	1.4	742	940	11	1.15	0.22	4614	5844	57	1.85	1.6	648	821	11	1.35	0.26	4046	5125	57	2.10	1.8	577	731	12	1.50	0.17	5987	7583	27	0.80	2.0	510	646	12	1.70	0.19	5324	6743	30	0.85	2.5	411	520	12	2.10	0.22	4669	5914	31	1.00	2.9	356	451	12	2.45	0.25	4080	5168	33	1.10	3.1	333	422	12	2.60	0.30	3502	4435	34	1.30	3.6	288	365	12	3.00	0.34	3076	3896	35	1.50	1.4	755	956	5.7	0.85	0.43	2399	3039	35	1.90	1.5	703	891	7.1	0.90	0.33	3093	3918	34	1.45	1.8	576	730	8.2	1.10	0.39	2639	3343	35	1.70	2.0	508	644	8.7	1.25	0.43	2395	3034	35	1.90	2.3	451	571	9.0	1.40	0.49	2095	2653	35	2.15	2.7	384	486	9.3	1.65	0.57	1800	2280	35	2.50	1.6	660	836	7.6	0.95	0.63	1632	2067	36	2.80	1.7	592	750	8.4	1.05	0.29	3599	4559	20	0.90	2.0	510	646	8.7	1.25	0.33	3161	4004	23	1.00	2.3	453	574	9.0	1.40	0.38	2748	3481	24	1.15	2.6	391	495	9.3	1.60	0.28	3693	4678	3.8	0.85	3.0	346	438	9.5	1.85	0.30	3402	4309	20	0.95	1.7	617	782	5.4	0.80	0.35	2923	3702	23	1.10	1.9	535	678	6.8	0.90	0.43	2384	3019	25	1.30	2.2	477	604	7.0	1.00	0.49	2106	2668	26	1.50	2.4	424	537	7.1	1.10	0.58	1772	2245	26	1.80	2.8	372	471	7.2	1.30	0.65	1592	2016	27	2.00	3.7	282	357	7.4	1.70	0.76	1368	1733	27	2.30	4.1	252	319	7.4	1.90	0.43	2420	3065	25	1.30	3.6	283	359	7.4	1.70	0.48	2149	2722	26	1.50	4.0	256	324	7.4	1.85	0.57	1825	2311	26	1.75	4.5	229	290	7.5	2.10	0.63	1641	2078	26	1.95	5.0	207	262	7.5	2.30	0.72	1439	1823	27	2.20	5.3	194	246	7.5	2.45	0.83	1250	1583	27	2.55	6.0	174	220	7.5	2.75	0.94	1102	1396	27	2.90	2.3	452	572	2.4	0.80	1.1	970	1228	27	3.30	2.6	403	510	4.9	0.80	0.45	2278	2885	15	0.80	3.0	344	436	5.3	0.90	0.67	1555	1969	18	1.05	3.2	322	408	5.3	1.00	0.47	2196	2781	10	0.80	3.8	272	344	5.5	1.15	0.50	2057	2606	15	0.80	2.6	396	502	3.6	0.80	0.61	1688	2138	17	0.95	3.1	339	429	5.2	0.95	0.68	1530	1938	18	1.05	3.5	294	372	5.4	1.10	0.75	1374	1740	18	1.20	3.8	275	348	5.4	1.15	0.75	1377	1744	19	1.20	4.4	238	301	5.5	1.35	0.86	1208	1530	19	1.35	5.1	201	255	5.7	1.55	1.0	1033	1308	19	1.60	5.7	180	228	5.7	1.75	1.1	906	1148	19	1.80	6.7	154	195	5.7	2.10	1.5	702	889	19	2.35	3.9	267	338	4.5	0.80	1.7	616	780	19	2.65	4.4	234	296	4.7	0.90	1.9	543	688	19	3.00	5.1	204	259	5.0	1.00	2.2	474	601	19	3.50	5.7	180	228	5.1	1.15						6.6	157	199	5.3	1.35						7.6	136	172	5.4	1.55						4.0	259	328	4.3	0.80						4.5	228	289	4.7	0.90						4.9	209	265	4.9	1.00						5.8	178	226	5.2	1.20						6.5	159	202	5.3	1.30						7.3	141	179	5.4	1.50
0.09	10925	13837	65	1.25			0.11	9694	12278	67	1.40			GR147R77 GRF147R77	4P	1.0	1029	1303			8.6	0.85	GR77R37 GRF77R37			4P	0.12			8751			11084	68	1.60	0.13	7706	9760	69	1.80	0.16	6628	8395	69	2.10	0.18	5779	7320	70	2.40	0.20	5084	6439	70	2.70	0.24	4322	5474	70	3.20	GR137R77 GRF137R77					4P	1.2	887	1124	10	1.00	0.10	10219	12943	50	0.85	1.3	827	1047	10	1.05	0.11	9262	11731	52	0.90	1.4	722	915	11	1.20	0.12	8360	10589	54	1.00	0.94	1101	1394	8.2	0.80	0.15	6946	8798	55	1.20	1.1	962	1218	10	0.90	0.17	5914	7491	56	1.45	1.2	856	1084	10	1.00	0.20	5187	6570	57	1.65	1.4	742	940	11	1.15	0.22	4614	5844	57	1.85	1.6	648	821	11	1.35	0.26	4046	5125	57	2.10	1.8	577	731	12	1.50	0.17	5987	7583	27	0.80	2.0	510	646	12	1.70	0.19	5324	6743	30	0.85	2.5	411	520	12	2.10	0.22	4669	5914	31	1.00	2.9	356	451	12	2.45	0.25	4080	5168	33	1.10	3.1	333	422	12	2.60	0.30	3502	4435	34	1.30	3.6	288	365	12	3.00	0.34	3076	3896	35	1.50	1.4	755	956	5.7	0.85	0.43	2399	3039	35	1.90	1.5	703	891	7.1	0.90	0.33	3093	3918	34	1.45	1.8	576	730	8.2	1.10	0.39	2639	3343	35	1.70	2.0	508	644	8.7	1.25	0.43	2395	3034	35	1.90	2.3	451	571	9.0	1.40	0.49	2095	2653	35	2.15	2.7	384	486	9.3	1.65	0.57	1800	2280	35	2.50	1.6	660	836	7.6	0.95	0.63	1632	2067	36	2.80	1.7	592	750	8.4	1.05	0.29	3599	4559	20	0.90	2.0	510	646	8.7	1.25	0.33	3161	4004	23	1.00	2.3	453	574	9.0	1.40	0.38	2748	3481	24	1.15	2.6	391	495	9.3	1.60	0.28	3693	4678	3.8	0.85	3.0	346	438	9.5	1.85	0.30	3402	4309	20	0.95	1.7	617	782	5.4	0.80	0.35	2923	3702	23	1.10	1.9	535	678	6.8	0.90	0.43	2384	3019	25	1.30	2.2	477	604	7.0	1.00	0.49	2106	2668	26	1.50	2.4	424	537	7.1	1.10	0.58	1772	2245	26	1.80	2.8	372	471	7.2	1.30	0.65	1592	2016	27	2.00	3.7	282	357	7.4	1.70	0.76	1368	1733	27	2.30	4.1	252	319	7.4	1.90	0.43	2420	3065	25	1.30	3.6	283	359	7.4	1.70	0.48	2149	2722	26	1.50	4.0	256	324	7.4	1.85	0.57	1825	2311	26	1.75	4.5	229	290	7.5	2.10	0.63	1641	2078	26	1.95	5.0	207	262	7.5	2.30	0.72	1439	1823	27	2.20	5.3	194	246	7.5	2.45	0.83	1250	1583	27	2.55	6.0	174	220	7.5	2.75	0.94	1102	1396	27	2.90	2.3	452	572	2.4	0.80	1.1	970	1228	27	3.30	2.6	403	510	4.9	0.80	0.45	2278	2885	15	0.80	3.0	344	436	5.3	0.90	0.67	1555	1969	18	1.05	3.2	322	408	5.3	1.00	0.47	2196	2781	10	0.80	3.8	272	344	5.5	1.15	0.50	2057	2606	15	0.80	2.6	396	502	3.6	0.80	0.61	1688	2138	17	0.95	3.1	339	429	5.2	0.95	0.68	1530	1938	18	1.05	3.5	294	372	5.4	1.10	0.75	1374	1740	18	1.20	3.8	275	348	5.4	1.15	0.75	1377	1744	19	1.20	4.4	238	301	5.5	1.35	0.86	1208	1530	19	1.35	5.1	201	255	5.7	1.55	1.0	1033	1308	19	1.60	5.7	180	228	5.7	1.75	1.1	906	1148	19	1.80	6.7	154	195	5.7	2.10	1.5	702	889	19	2.35	3.9	267	338	4.5	0.80	1.7	616	780	19	2.65	4.4	234	296	4.7	0.90	1.9	543	688	19	3.00	5.1	204	259	5.0	1.00	2.2	474	601	19	3.50	5.7	180	228	5.1	1.15						6.6	157	199	5.3	1.35						7.6	136	172	5.4	1.55						4.0	259	328	4.3	0.80						4.5	228	289	4.7	0.90						4.9	209	265	4.9	1.00						5.8	178	226	5.2	1.20						6.5	159	202	5.3	1.30						7.3	141	179	5.4
0.11	9694	12278	67	1.40	GR147R77 GRF147R77	4P	1.0	1029	1303	8.6	0.85	GR77R37 GRF77R37	4P																																																																																																																																																																																																																																																																																																																																																																																																																																																																																																																																																																																																																																																																																																															
0.12	8751	11084	68	1.60			0.13	7706	9760	69	1.80					0.16	6628	8395			69	2.10					0.18			5779			7320	70	2.40	0.20	5084	6439	70	2.70	0.24	4322	5474	70	3.20	GR137R77 GRF137R77	4P	1.2	887	1124	10	1.00	0.10	10219	12943	50	0.85	1.3	827	1047							10	1.05	0.11	9262	11731	52	0.90	1.4	722	915	11	1.20	0.12	8360	10589	54	1.00	0.94	1101	1394	8.2	0.80	0.15	6946	8798	55	1.20	1.1	962	1218	10	0.90	0.17	5914	7491	56	1.45	1.2	856	1084	10	1.00	0.20	5187	6570	57	1.65	1.4	742	940	11	1.15	0.22	4614	5844	57	1.85	1.6	648	821	11	1.35	0.26	4046	5125	57	2.10	1.8	577	731	12	1.50	0.17	5987	7583	27	0.80	2.0	510	646	12	1.70	0.19	5324	6743	30	0.85	2.5	411	520	12	2.10	0.22	4669	5914	31	1.00	2.9	356	451	12	2.45	0.25	4080	5168	33	1.10	3.1	333	422	12	2.60	0.30	3502	4435	34	1.30	3.6	288	365	12	3.00	0.34	3076	3896	35	1.50	1.4	755	956	5.7	0.85	0.43	2399	3039	35	1.90	1.5	703	891	7.1	0.90	0.33	3093	3918	34	1.45	1.8	576	730	8.2	1.10	0.39	2639	3343	35	1.70	2.0	508	644	8.7	1.25	0.43	2395	3034	35	1.90	2.3	451	571	9.0	1.40	0.49	2095	2653	35	2.15	2.7	384	486	9.3	1.65	0.57	1800	2280	35	2.50	1.6	660	836	7.6	0.95	0.63	1632	2067	36	2.80	1.7	592	750	8.4	1.05	0.29	3599	4559	20	0.90	2.0	510	646	8.7	1.25	0.33	3161	4004	23	1.00	2.3	453	574	9.0	1.40	0.38	2748	3481	24	1.15	2.6	391	495	9.3	1.60	0.28	3693	4678	3.8	0.85	3.0	346	438	9.5	1.85	0.30	3402	4309	20	0.95	1.7	617	782	5.4	0.80	0.35	2923	3702	23	1.10	1.9	535	678	6.8	0.90	0.43	2384	3019	25	1.30	2.2	477	604	7.0	1.00	0.49	2106	2668	26	1.50	2.4	424	537	7.1	1.10	0.58	1772	2245	26	1.80	2.8	372	471	7.2	1.30	0.65	1592	2016	27	2.00	3.7	282	357	7.4	1.70	0.76	1368	1733	27	2.30	4.1	252	319	7.4	1.90	0.43	2420	3065	25	1.30	3.6	283	359	7.4	1.70	0.48	2149	2722	26	1.50	4.0	256	324	7.4	1.85	0.57	1825	2311	26	1.75	4.5	229	290	7.5	2.10	0.63	1641	2078	26	1.95	5.0	207	262	7.5	2.30	0.72	1439	1823	27	2.20	5.3	194	246	7.5	2.45	0.83	1250	1583	27	2.55	6.0	174	220	7.5	2.75	0.94	1102	1396	27	2.90	2.3	452	572	2.4	0.80	1.1	970	1228	27	3.30	2.6	403	510	4.9	0.80	0.45	2278	2885	15	0.80	3.0	344	436	5.3	0.90	0.67	1555	1969	18	1.05	3.2	322	408	5.3	1.00	0.47	2196	2781	10	0.80	3.8	272	344	5.5	1.15	0.50	2057	2606	15	0.80	2.6	396	502	3.6	0.80	0.61	1688	2138	17	0.95	3.1	339	429	5.2	0.95	0.68	1530	1938	18	1.05	3.5	294	372	5.4	1.10	0.75	1374	1740	18	1.20	3.8	275	348	5.4	1.15	0.75	1377	1744	19	1.20	4.4	238	301	5.5	1.35	0.86	1208	1530	19	1.35	5.1	201	255	5.7	1.55	1.0	1033	1308	19	1.60	5.7	180	228	5.7	1.75	1.1	906	1148	19	1.80	6.7	154	195	5.7	2.10	1.5	702	889	19	2.35	3.9	267	338	4.5	0.80	1.7	616	780	19	2.65	4.4	234	296	4.7	0.90	1.9	543	688	19	3.00	5.1	204	259	5.0	1.00	2.2	474	601	19	3.50	5.7	180	228	5.1	1.15						6.6	157	199	5.3	1.35						7.6	136	172	5.4	1.55						4.0	259	328	4.3	0.80						4.5	228	289	4.7	0.90						4.9	209	265	4.9	1.00						5.8	178	226	5.2	1.20						6.5	159	202	5.3	1.30						7.3	141	179	5.4	1.50												
0.13	7706	9760	69	1.80			0.16	6628	8395	69	2.10					0.18	5779	7320			70	2.40					0.20			5084			6439	70	2.70	0.24	4322	5474	70	3.20	GR137R77 GRF137R77	4P	1.2	887	1124			10	1.00	0.10	10219	12943	50	0.85	1.3	827	1047	10	1.05	0.11							9262	11731	52	0.90	1.4	722	915	11	1.20	0.12	8360	10589	54	1.00	0.94	1101	1394	8.2	0.80	0.15	6946	8798	55	1.20	1.1	962	1218	10	0.90	0.17	5914	7491	56	1.45	1.2	856	1084	10	1.00	0.20	5187	6570	57	1.65	1.4	742	940	11	1.15	0.22	4614	5844	57	1.85	1.6	648	821	11	1.35	0.26	4046	5125	57	2.10	1.8	577	731	12	1.50	0.17	5987	7583	27	0.80	2.0	510	646	12	1.70	0.19	5324	6743	30	0.85	2.5	411	520	12	2.10	0.22	4669	5914	31	1.00	2.9	356	451	12	2.45	0.25	4080	5168	33	1.10	3.1	333	422	12	2.60	0.30	3502	4435	34	1.30	3.6	288	365	12	3.00	0.34	3076	3896	35	1.50	1.4	755	956	5.7	0.85	0.43	2399	3039	35	1.90	1.5	703	891	7.1	0.90	0.33	3093	3918	34	1.45	1.8	576	730	8.2	1.10	0.39	2639	3343	35	1.70	2.0	508	644	8.7	1.25	0.43	2395	3034	35	1.90	2.3	451	571	9.0	1.40	0.49	2095	2653	35	2.15	2.7	384	486	9.3	1.65	0.57	1800	2280	35	2.50	1.6	660	836	7.6	0.95	0.63	1632	2067	36	2.80	1.7	592	750	8.4	1.05	0.29	3599	4559	20	0.90	2.0	510	646	8.7	1.25	0.33	3161	4004	23	1.00	2.3	453	574	9.0	1.40	0.38	2748	3481	24	1.15	2.6	391	495	9.3	1.60	0.28	3693	4678	3.8	0.85	3.0	346	438	9.5	1.85	0.30	3402	4309	20	0.95	1.7	617	782	5.4	0.80	0.35	2923	3702	23	1.10	1.9	535	678	6.8	0.90	0.43	2384	3019	25	1.30	2.2	477	604	7.0	1.00	0.49	2106	2668	26	1.50	2.4	424	537	7.1	1.10	0.58	1772	2245	26	1.80	2.8	372	471	7.2	1.30	0.65	1592	2016	27	2.00	3.7	282	357	7.4	1.70	0.76	1368	1733	27	2.30	4.1	252	319	7.4	1.90	0.43	2420	3065	25	1.30	3.6	283	359	7.4	1.70	0.48	2149	2722	26	1.50	4.0	256	324	7.4	1.85	0.57	1825	2311	26	1.75	4.5	229	290	7.5	2.10	0.63	1641	2078	26	1.95	5.0	207	262	7.5	2.30	0.72	1439	1823	27	2.20	5.3	194	246	7.5	2.45	0.83	1250	1583	27	2.55	6.0	174	220	7.5	2.75	0.94	1102	1396	27	2.90	2.3	452	572	2.4	0.80	1.1	970	1228	27	3.30	2.6	403	510	4.9	0.80	0.45	2278	2885	15	0.80	3.0	344	436	5.3	0.90	0.67	1555	1969	18	1.05	3.2	322	408	5.3	1.00	0.47	2196	2781	10	0.80	3.8	272	344	5.5	1.15	0.50	2057	2606	15	0.80	2.6	396	502	3.6	0.80	0.61	1688	2138	17	0.95	3.1	339	429	5.2	0.95	0.68	1530	1938	18	1.05	3.5	294	372	5.4	1.10	0.75	1374	1740	18	1.20	3.8	275	348	5.4	1.15	0.75	1377	1744	19	1.20	4.4	238	301	5.5	1.35	0.86	1208	1530	19	1.35	5.1	201	255	5.7	1.55	1.0	1033	1308	19	1.60	5.7	180	228	5.7	1.75	1.1	906	1148	19	1.80	6.7	154	195	5.7	2.10	1.5	702	889	19	2.35	3.9	267	338	4.5	0.80	1.7	616	780	19	2.65	4.4	234	296	4.7	0.90	1.9	543	688	19	3.00	5.1	204	259	5.0	1.00	2.2	474	601	19	3.50	5.7	180	228	5.1	1.15						6.6	157	199	5.3	1.35						7.6	136	172	5.4	1.55						4.0	259	328	4.3	0.80						4.5	228	289	4.7	0.90						4.9	209	265	4.9	1.00						5.8	178	226	5.2	1.20						6.5	159	202	5.3	1.30						7.3	141	179	5.4	1.50															
0.16	6628	8395	69	2.10			0.18	5779	7320	70	2.40					0.20	5084	6439			70	2.70		0.24	4322		5474			70	3.20	GR137R77 GRF137R77	4P	1.2	887	1124	10	1.00	0.10	10219			12943	50	0.85			1.3	827	1047	10	1.05	0.11	9262	11731	52	0.90	1.4	722	915							11	1.20	0.12	8360	10589	54	1.00	0.94	1101	1394	8.2	0.80	0.15	6946	8798	55	1.20	1.1	962	1218	10	0.90	0.17	5914	7491	56	1.45	1.2	856	1084	10	1.00	0.20	5187	6570	57	1.65	1.4	742	940	11	1.15	0.22	4614	5844	57	1.85	1.6	648	821	11	1.35	0.26	4046	5125	57	2.10	1.8	577	731	12	1.50	0.17	5987	7583	27	0.80	2.0	510	646	12	1.70	0.19	5324	6743	30	0.85	2.5	411	520	12	2.10	0.22	4669	5914	31	1.00	2.9	356	451	12	2.45	0.25	4080	5168	33	1.10	3.1	333	422	12	2.60	0.30	3502	4435	34	1.30	3.6	288	365	12	3.00	0.34	3076	3896	35	1.50	1.4	755	956	5.7	0.85	0.43	2399	3039	35	1.90	1.5	703	891	7.1	0.90	0.33	3093	3918	34	1.45	1.8	576	730	8.2	1.10	0.39	2639	3343	35	1.70	2.0	508	644	8.7	1.25	0.43	2395	3034	35	1.90	2.3	451	571	9.0	1.40	0.49	2095	2653	35	2.15	2.7	384	486	9.3	1.65	0.57	1800	2280	35	2.50	1.6	660	836	7.6	0.95	0.63	1632	2067	36	2.80	1.7	592	750	8.4	1.05	0.29	3599	4559	20	0.90	2.0	510	646	8.7	1.25	0.33	3161	4004	23	1.00	2.3	453	574	9.0	1.40	0.38	2748	3481	24	1.15	2.6	391	495	9.3	1.60	0.28	3693	4678	3.8	0.85	3.0	346	438	9.5	1.85	0.30	3402	4309	20	0.95	1.7	617	782	5.4	0.80	0.35	2923	3702	23	1.10	1.9	535	678	6.8	0.90	0.43	2384	3019	25	1.30	2.2	477	604	7.0	1.00	0.49	2106	2668	26	1.50	2.4	424	537	7.1	1.10	0.58	1772	2245	26	1.80	2.8	372	471	7.2	1.30	0.65	1592	2016	27	2.00	3.7	282	357	7.4	1.70	0.76	1368	1733	27	2.30	4.1	252	319	7.4	1.90	0.43	2420	3065	25	1.30	3.6	283	359	7.4	1.70	0.48	2149	2722	26	1.50	4.0	256	324	7.4	1.85	0.57	1825	2311	26	1.75	4.5	229	290	7.5	2.10	0.63	1641	2078	26	1.95	5.0	207	262	7.5	2.30	0.72	1439	1823	27	2.20	5.3	194	246	7.5	2.45	0.83	1250	1583	27	2.55	6.0	174	220	7.5	2.75	0.94	1102	1396	27	2.90	2.3	452	572	2.4	0.80	1.1	970	1228	27	3.30	2.6	403	510	4.9	0.80	0.45	2278	2885	15	0.80	3.0	344	436	5.3	0.90	0.67	1555	1969	18	1.05	3.2	322	408	5.3	1.00	0.47	2196	2781	10	0.80	3.8	272	344	5.5	1.15	0.50	2057	2606	15	0.80	2.6	396	502	3.6	0.80	0.61	1688	2138	17	0.95	3.1	339	429	5.2	0.95	0.68	1530	1938	18	1.05	3.5	294	372	5.4	1.10	0.75	1374	1740	18	1.20	3.8	275	348	5.4	1.15	0.75	1377	1744	19	1.20	4.4	238	301	5.5	1.35	0.86	1208	1530	19	1.35	5.1	201	255	5.7	1.55	1.0	1033	1308	19	1.60	5.7	180	228	5.7	1.75	1.1	906	1148	19	1.80	6.7	154	195	5.7	2.10	1.5	702	889	19	2.35	3.9	267	338	4.5	0.80	1.7	616	780	19	2.65	4.4	234	296	4.7	0.90	1.9	543	688	19	3.00	5.1	204	259	5.0	1.00	2.2	474	601	19	3.50	5.7	180	228	5.1	1.15						6.6	157	199	5.3	1.35						7.6	136	172	5.4	1.55						4.0	259	328	4.3	0.80						4.5	228	289	4.7	0.90						4.9	209	265	4.9	1.00						5.8	178	226	5.2	1.20						6.5	159	202	5.3	1.30						7.3	141	179	5.4	1.50																						
0.18	5779	7320	70	2.40			0.20	5084	6439	70	2.70					0.24	4322	5474	70	3.20	GR137R77 GRF137R77	4P		1.2	887		1124	10	1.00	0.10	10219			12943	50	0.85	1.3	827	1047	10			1.05	0.11	9262			11731	52	0.90	1.4	722	915	11	1.20	0.12	8360	10589	54	1.00							0.94	1101	1394	8.2	0.80	0.15	6946	8798	55	1.20	1.1	962	1218	10	0.90	0.17	5914	7491	56	1.45	1.2	856	1084	10	1.00	0.20	5187	6570	57	1.65	1.4	742	940	11	1.15	0.22	4614	5844	57	1.85	1.6	648	821	11	1.35	0.26	4046	5125	57	2.10	1.8	577	731	12	1.50	0.17	5987	7583	27	0.80	2.0	510	646	12	1.70	0.19	5324	6743	30	0.85	2.5	411	520	12	2.10	0.22	4669	5914	31	1.00	2.9	356	451	12	2.45	0.25	4080	5168	33	1.10	3.1	333	422	12	2.60	0.30	3502	4435	34	1.30	3.6	288	365	12	3.00	0.34	3076	3896	35	1.50	1.4	755	956	5.7	0.85	0.43	2399	3039	35	1.90	1.5	703	891	7.1	0.90	0.33	3093	3918	34	1.45	1.8	576	730	8.2	1.10	0.39	2639	3343	35	1.70	2.0	508	644	8.7	1.25	0.43	2395	3034	35	1.90	2.3	451	571	9.0	1.40	0.49	2095	2653	35	2.15	2.7	384	486	9.3	1.65	0.57	1800	2280	35	2.50	1.6	660	836	7.6	0.95	0.63	1632	2067	36	2.80	1.7	592	750	8.4	1.05	0.29	3599	4559	20	0.90	2.0	510	646	8.7	1.25	0.33	3161	4004	23	1.00	2.3	453	574	9.0	1.40	0.38	2748	3481	24	1.15	2.6	391	495	9.3	1.60	0.28	3693	4678	3.8	0.85	3.0	346	438	9.5	1.85	0.30	3402	4309	20	0.95	1.7	617	782	5.4	0.80	0.35	2923	3702	23	1.10	1.9	535	678	6.8	0.90	0.43	2384	3019	25	1.30	2.2	477	604	7.0	1.00	0.49	2106	2668	26	1.50	2.4	424	537	7.1	1.10	0.58	1772	2245	26	1.80	2.8	372	471	7.2	1.30	0.65	1592	2016	27	2.00	3.7	282	357	7.4	1.70	0.76	1368	1733	27	2.30	4.1	252	319	7.4	1.90	0.43	2420	3065	25	1.30	3.6	283	359	7.4	1.70	0.48	2149	2722	26	1.50	4.0	256	324	7.4	1.85	0.57	1825	2311	26	1.75	4.5	229	290	7.5	2.10	0.63	1641	2078	26	1.95	5.0	207	262	7.5	2.30	0.72	1439	1823	27	2.20	5.3	194	246	7.5	2.45	0.83	1250	1583	27	2.55	6.0	174	220	7.5	2.75	0.94	1102	1396	27	2.90	2.3	452	572	2.4	0.80	1.1	970	1228	27	3.30	2.6	403	510	4.9	0.80	0.45	2278	2885	15	0.80	3.0	344	436	5.3	0.90	0.67	1555	1969	18	1.05	3.2	322	408	5.3	1.00	0.47	2196	2781	10	0.80	3.8	272	344	5.5	1.15	0.50	2057	2606	15	0.80	2.6	396	502	3.6	0.80	0.61	1688	2138	17	0.95	3.1	339	429	5.2	0.95	0.68	1530	1938	18	1.05	3.5	294	372	5.4	1.10	0.75	1374	1740	18	1.20	3.8	275	348	5.4	1.15	0.75	1377	1744	19	1.20	4.4	238	301	5.5	1.35	0.86	1208	1530	19	1.35	5.1	201	255	5.7	1.55	1.0	1033	1308	19	1.60	5.7	180	228	5.7	1.75	1.1	906	1148	19	1.80	6.7	154	195	5.7	2.10	1.5	702	889	19	2.35	3.9	267	338	4.5	0.80	1.7	616	780	19	2.65	4.4	234	296	4.7	0.90	1.9	543	688	19	3.00	5.1	204	259	5.0	1.00	2.2	474	601	19	3.50	5.7	180	228	5.1	1.15						6.6	157	199	5.3	1.35						7.6	136	172	5.4	1.55						4.0	259	328	4.3	0.80						4.5	228	289	4.7	0.90						4.9	209	265	4.9	1.00						5.8	178	226	5.2	1.20						6.5	159	202	5.3	1.30						7.3	141	179	5.4	1.50																													
0.20	5084	6439	70	2.70			0.24	4322	5474	70	3.20			GR137R77 GRF137R77	4P	1.2	887	1124	10	1.00			0.10	10219	12943	50	0.85	1.3	827	1047	10			1.05	0.11	9262	11731	52	0.90	1.4			722	915	11			1.20	0.12	8360	10589	54	1.00	0.94	1101	1394	8.2	0.80	0.15	6946							8798	55	1.20	1.1	962	1218	10	0.90	0.17	5914	7491	56	1.45	1.2	856	1084	10	1.00	0.20	5187	6570	57	1.65	1.4	742	940	11	1.15	0.22	4614	5844	57	1.85	1.6	648	821	11	1.35	0.26	4046	5125	57	2.10	1.8	577	731	12	1.50	0.17	5987	7583	27	0.80	2.0	510	646	12	1.70	0.19	5324	6743	30	0.85	2.5	411	520	12	2.10	0.22	4669	5914	31	1.00	2.9	356	451	12	2.45	0.25	4080	5168	33	1.10	3.1	333	422	12	2.60	0.30	3502	4435	34	1.30	3.6	288	365	12	3.00	0.34	3076	3896	35	1.50	1.4	755	956	5.7	0.85	0.43	2399	3039	35	1.90	1.5	703	891	7.1	0.90	0.33	3093	3918	34	1.45	1.8	576	730	8.2	1.10	0.39	2639	3343	35	1.70	2.0	508	644	8.7	1.25	0.43	2395	3034	35	1.90	2.3	451	571	9.0	1.40	0.49	2095	2653	35	2.15	2.7	384	486	9.3	1.65	0.57	1800	2280	35	2.50	1.6	660	836	7.6	0.95	0.63	1632	2067	36	2.80	1.7	592	750	8.4	1.05	0.29	3599	4559	20	0.90	2.0	510	646	8.7	1.25	0.33	3161	4004	23	1.00	2.3	453	574	9.0	1.40	0.38	2748	3481	24	1.15	2.6	391	495	9.3	1.60	0.28	3693	4678	3.8	0.85	3.0	346	438	9.5	1.85	0.30	3402	4309	20	0.95	1.7	617	782	5.4	0.80	0.35	2923	3702	23	1.10	1.9	535	678	6.8	0.90	0.43	2384	3019	25	1.30	2.2	477	604	7.0	1.00	0.49	2106	2668	26	1.50	2.4	424	537	7.1	1.10	0.58	1772	2245	26	1.80	2.8	372	471	7.2	1.30	0.65	1592	2016	27	2.00	3.7	282	357	7.4	1.70	0.76	1368	1733	27	2.30	4.1	252	319	7.4	1.90	0.43	2420	3065	25	1.30	3.6	283	359	7.4	1.70	0.48	2149	2722	26	1.50	4.0	256	324	7.4	1.85	0.57	1825	2311	26	1.75	4.5	229	290	7.5	2.10	0.63	1641	2078	26	1.95	5.0	207	262	7.5	2.30	0.72	1439	1823	27	2.20	5.3	194	246	7.5	2.45	0.83	1250	1583	27	2.55	6.0	174	220	7.5	2.75	0.94	1102	1396	27	2.90	2.3	452	572	2.4	0.80	1.1	970	1228	27	3.30	2.6	403	510	4.9	0.80	0.45	2278	2885	15	0.80	3.0	344	436	5.3	0.90	0.67	1555	1969	18	1.05	3.2	322	408	5.3	1.00	0.47	2196	2781	10	0.80	3.8	272	344	5.5	1.15	0.50	2057	2606	15	0.80	2.6	396	502	3.6	0.80	0.61	1688	2138	17	0.95	3.1	339	429	5.2	0.95	0.68	1530	1938	18	1.05	3.5	294	372	5.4	1.10	0.75	1374	1740	18	1.20	3.8	275	348	5.4	1.15	0.75	1377	1744	19	1.20	4.4	238	301	5.5	1.35	0.86	1208	1530	19	1.35	5.1	201	255	5.7	1.55	1.0	1033	1308	19	1.60	5.7	180	228	5.7	1.75	1.1	906	1148	19	1.80	6.7	154	195	5.7	2.10	1.5	702	889	19	2.35	3.9	267	338	4.5	0.80	1.7	616	780	19	2.65	4.4	234	296	4.7	0.90	1.9	543	688	19	3.00	5.1	204	259	5.0	1.00	2.2	474	601	19	3.50	5.7	180	228	5.1	1.15						6.6	157	199	5.3	1.35						7.6	136	172	5.4	1.55						4.0	259	328	4.3	0.80						4.5	228	289	4.7	0.90						4.9	209	265	4.9	1.00						5.8	178	226	5.2	1.20						6.5	159	202	5.3	1.30						7.3	141	179	5.4	1.50																																				
0.24	4322	5474	70	3.20	GR137R77 GRF137R77	4P	1.2	887	1124	10	1.00	0.10	10219			12943	50	0.85	1.3	827			1047	10	1.05	0.11	9262	11731	52	0.90	1.4			722	915	11	1.20	0.12	8360	10589			54	1.00	0.94			1101	1394	8.2	0.80	0.15	6946	8798	55	1.20	1.1	962	1218	10							0.90	0.17	5914	7491	56	1.45	1.2	856	1084	10	1.00	0.20	5187	6570	57	1.65	1.4	742	940	11	1.15	0.22	4614	5844	57	1.85	1.6	648	821	11	1.35	0.26	4046	5125	57	2.10	1.8	577	731	12	1.50	0.17	5987	7583	27	0.80	2.0	510	646	12	1.70	0.19	5324	6743	30	0.85	2.5	411	520	12	2.10	0.22	4669	5914	31	1.00	2.9	356	451	12	2.45	0.25	4080	5168	33	1.10	3.1	333	422	12	2.60	0.30	3502	4435	34	1.30	3.6	288	365	12	3.00	0.34	3076	3896	35	1.50	1.4	755	956	5.7	0.85	0.43	2399	3039	35	1.90	1.5	703	891	7.1	0.90	0.33	3093	3918	34	1.45	1.8	576	730	8.2	1.10	0.39	2639	3343	35	1.70	2.0	508	644	8.7	1.25	0.43	2395	3034	35	1.90	2.3	451	571	9.0	1.40	0.49	2095	2653	35	2.15	2.7	384	486	9.3	1.65	0.57	1800	2280	35	2.50	1.6	660	836	7.6	0.95	0.63	1632	2067	36	2.80	1.7	592	750	8.4	1.05	0.29	3599	4559	20	0.90	2.0	510	646	8.7	1.25	0.33	3161	4004	23	1.00	2.3	453	574	9.0	1.40	0.38	2748	3481	24	1.15	2.6	391	495	9.3	1.60	0.28	3693	4678	3.8	0.85	3.0	346	438	9.5	1.85	0.30	3402	4309	20	0.95	1.7	617	782	5.4	0.80	0.35	2923	3702	23	1.10	1.9	535	678	6.8	0.90	0.43	2384	3019	25	1.30	2.2	477	604	7.0	1.00	0.49	2106	2668	26	1.50	2.4	424	537	7.1	1.10	0.58	1772	2245	26	1.80	2.8	372	471	7.2	1.30	0.65	1592	2016	27	2.00	3.7	282	357	7.4	1.70	0.76	1368	1733	27	2.30	4.1	252	319	7.4	1.90	0.43	2420	3065	25	1.30	3.6	283	359	7.4	1.70	0.48	2149	2722	26	1.50	4.0	256	324	7.4	1.85	0.57	1825	2311	26	1.75	4.5	229	290	7.5	2.10	0.63	1641	2078	26	1.95	5.0	207	262	7.5	2.30	0.72	1439	1823	27	2.20	5.3	194	246	7.5	2.45	0.83	1250	1583	27	2.55	6.0	174	220	7.5	2.75	0.94	1102	1396	27	2.90	2.3	452	572	2.4	0.80	1.1	970	1228	27	3.30	2.6	403	510	4.9	0.80	0.45	2278	2885	15	0.80	3.0	344	436	5.3	0.90	0.67	1555	1969	18	1.05	3.2	322	408	5.3	1.00	0.47	2196	2781	10	0.80	3.8	272	344	5.5	1.15	0.50	2057	2606	15	0.80	2.6	396	502	3.6	0.80	0.61	1688	2138	17	0.95	3.1	339	429	5.2	0.95	0.68	1530	1938	18	1.05	3.5	294	372	5.4	1.10	0.75	1374	1740	18	1.20	3.8	275	348	5.4	1.15	0.75	1377	1744	19	1.20	4.4	238	301	5.5	1.35	0.86	1208	1530	19	1.35	5.1	201	255	5.7	1.55	1.0	1033	1308	19	1.60	5.7	180	228	5.7	1.75	1.1	906	1148	19	1.80	6.7	154	195	5.7	2.10	1.5	702	889	19	2.35	3.9	267	338	4.5	0.80	1.7	616	780	19	2.65	4.4	234	296	4.7	0.90	1.9	543	688	19	3.00	5.1	204	259	5.0	1.00	2.2	474	601	19	3.50	5.7	180	228	5.1	1.15						6.6	157	199	5.3	1.35						7.6	136	172	5.4	1.55						4.0	259	328	4.3	0.80						4.5	228	289	4.7	0.90						4.9	209	265	4.9	1.00						5.8	178	226	5.2	1.20						6.5	159	202	5.3	1.30						7.3	141	179	5.4	1.50																																											
0.10	10219	12943	50	0.85			1.3	827	1047	10	1.05	0.11	9262			11731	52	0.90	1.4	722			915	11	1.20	0.12	8360	10589	54	1.00	0.94			1101	1394	8.2	0.80	0.15	6946	8798			55	1.20	1.1			962	1218	10	0.90	0.17	5914	7491	56	1.45	1.2	856	1084	10			1.00	0.20			5187	6570	57	1.65	1.4	742	940	11	1.15	0.22	4614	5844	57	1.85	1.6	648	821	11	1.35	0.26	4046	5125	57	2.10	1.8	577	731	12	1.50	0.17	5987	7583	27	0.80	2.0	510	646	12	1.70	0.19	5324	6743	30	0.85	2.5	411	520	12	2.10	0.22	4669	5914	31	1.00	2.9	356	451	12	2.45	0.25	4080	5168	33	1.10	3.1	333	422	12	2.60	0.30	3502	4435	34	1.30	3.6	288	365	12	3.00	0.34	3076	3896	35	1.50	1.4	755	956	5.7	0.85	0.43	2399	3039	35	1.90	1.5	703	891	7.1	0.90	0.33	3093	3918	34	1.45	1.8	576	730	8.2	1.10	0.39	2639	3343	35	1.70	2.0	508	644	8.7	1.25	0.43	2395	3034	35	1.90	2.3	451	571	9.0	1.40	0.49	2095	2653	35	2.15	2.7	384	486	9.3	1.65	0.57	1800	2280	35	2.50	1.6	660	836	7.6	0.95	0.63	1632	2067	36	2.80	1.7	592	750	8.4	1.05	0.29	3599	4559	20	0.90	2.0	510	646	8.7	1.25	0.33	3161	4004	23	1.00	2.3	453	574	9.0	1.40	0.38	2748	3481	24	1.15	2.6	391	495	9.3	1.60	0.28	3693	4678	3.8	0.85	3.0	346	438	9.5	1.85	0.30	3402	4309	20	0.95	1.7	617	782	5.4	0.80	0.35	2923	3702	23	1.10	1.9	535	678	6.8	0.90	0.43	2384	3019	25	1.30	2.2	477	604	7.0	1.00	0.49	2106	2668	26	1.50	2.4	424	537	7.1	1.10	0.58	1772	2245	26	1.80	2.8	372	471	7.2	1.30	0.65	1592	2016	27	2.00	3.7	282	357	7.4	1.70	0.76	1368	1733	27	2.30	4.1	252	319	7.4	1.90	0.43	2420	3065	25	1.30	3.6	283	359	7.4	1.70	0.48	2149	2722	26	1.50	4.0	256	324	7.4	1.85	0.57	1825	2311	26	1.75	4.5	229	290	7.5	2.10	0.63	1641	2078	26	1.95	5.0	207	262	7.5	2.30	0.72	1439	1823	27	2.20	5.3	194	246	7.5	2.45	0.83	1250	1583	27	2.55	6.0	174	220	7.5	2.75	0.94	1102	1396	27	2.90	2.3	452	572	2.4	0.80	1.1	970	1228	27	3.30	2.6	403	510	4.9	0.80	0.45	2278	2885	15	0.80	3.0	344	436	5.3	0.90	0.67	1555	1969	18	1.05	3.2	322	408	5.3	1.00	0.47	2196	2781	10	0.80	3.8	272	344	5.5	1.15	0.50	2057	2606	15	0.80	2.6	396	502	3.6	0.80	0.61	1688	2138	17	0.95	3.1	339	429	5.2	0.95	0.68	1530	1938	18	1.05	3.5	294	372	5.4	1.10	0.75	1374	1740	18	1.20	3.8	275	348	5.4	1.15	0.75	1377	1744	19	1.20	4.4	238	301	5.5	1.35	0.86	1208	1530	19	1.35	5.1	201	255	5.7	1.55	1.0	1033	1308	19	1.60	5.7	180	228	5.7	1.75	1.1	906	1148	19	1.80	6.7	154	195	5.7	2.10	1.5	702	889	19	2.35	3.9	267	338	4.5	0.80	1.7	616	780	19	2.65	4.4	234	296	4.7	0.90	1.9	543	688	19	3.00	5.1	204	259	5.0	1.00	2.2	474	601	19	3.50	5.7	180	228	5.1	1.15						6.6	157	199	5.3	1.35						7.6	136	172	5.4	1.55						4.0	259	328	4.3	0.80						4.5	228	289	4.7	0.90						4.9	209	265	4.9	1.00						5.8	178	226	5.2	1.20						6.5	159	202	5.3	1.30						7.3	141	179	5.4	1.50																																																							
0.11	9262	11731	52	0.90			1.4	722	915	11	1.20	0.12	8360			10589	54	1.00	0.94	1101			1394	8.2	0.80	0.15	6946	8798	55	1.20	1.1			962	1218	10	0.90	0.17	5914	7491			56	1.45	1.2			856	1084	10	1.00	0.20	5187	6570	57	1.65	1.4	742	940	11		1.15	0.22	4614	5844		57	1.85	1.6	648	821	11	1.35	0.26	4046	5125	57	2.10	1.8	577	731	12	1.50	0.17	5987	7583	27	0.80	2.0	510	646	12	1.70	0.19	5324	6743	30	0.85	2.5	411	520	12	2.10	0.22	4669	5914	31	1.00	2.9	356	451	12	2.45	0.25	4080	5168	33	1.10	3.1	333	422	12	2.60	0.30	3502	4435	34	1.30	3.6	288	365	12	3.00	0.34	3076	3896	35	1.50	1.4	755	956	5.7	0.85	0.43	2399	3039	35	1.90	1.5	703	891	7.1	0.90	0.33	3093	3918	34	1.45	1.8	576	730	8.2	1.10	0.39	2639	3343	35	1.70	2.0	508	644	8.7	1.25	0.43	2395	3034	35	1.90	2.3	451	571	9.0	1.40	0.49	2095	2653	35	2.15	2.7	384	486	9.3	1.65	0.57	1800	2280	35	2.50	1.6	660	836	7.6	0.95	0.63	1632	2067	36	2.80	1.7	592	750	8.4	1.05	0.29	3599	4559	20	0.90	2.0	510	646	8.7	1.25	0.33	3161	4004	23	1.00	2.3	453	574	9.0	1.40	0.38	2748	3481	24	1.15	2.6	391	495	9.3	1.60	0.28	3693	4678	3.8	0.85	3.0	346	438	9.5	1.85	0.30	3402	4309	20	0.95	1.7	617	782	5.4	0.80	0.35	2923	3702	23	1.10	1.9	535	678	6.8	0.90	0.43	2384	3019	25	1.30	2.2	477	604	7.0	1.00	0.49	2106	2668	26	1.50	2.4	424	537	7.1	1.10	0.58	1772	2245	26	1.80	2.8	372	471	7.2	1.30	0.65	1592	2016	27	2.00	3.7	282	357	7.4	1.70	0.76	1368	1733	27	2.30	4.1	252	319	7.4	1.90	0.43	2420	3065	25	1.30	3.6	283	359	7.4	1.70	0.48	2149	2722	26	1.50	4.0	256	324	7.4	1.85	0.57	1825	2311	26	1.75	4.5	229	290	7.5	2.10	0.63	1641	2078	26	1.95	5.0	207	262	7.5	2.30	0.72	1439	1823	27	2.20	5.3	194	246	7.5	2.45	0.83	1250	1583	27	2.55	6.0	174	220	7.5	2.75	0.94	1102	1396	27	2.90	2.3	452	572	2.4	0.80	1.1	970	1228	27	3.30	2.6	403	510	4.9	0.80	0.45	2278	2885	15	0.80	3.0	344	436	5.3	0.90	0.67	1555	1969	18	1.05	3.2	322	408	5.3	1.00	0.47	2196	2781	10	0.80	3.8	272	344	5.5	1.15	0.50	2057	2606	15	0.80	2.6	396	502	3.6	0.80	0.61	1688	2138	17	0.95	3.1	339	429	5.2	0.95	0.68	1530	1938	18	1.05	3.5	294	372	5.4	1.10	0.75	1374	1740	18	1.20	3.8	275	348	5.4	1.15	0.75	1377	1744	19	1.20	4.4	238	301	5.5	1.35	0.86	1208	1530	19	1.35	5.1	201	255	5.7	1.55	1.0	1033	1308	19	1.60	5.7	180	228	5.7	1.75	1.1	906	1148	19	1.80	6.7	154	195	5.7	2.10	1.5	702	889	19	2.35	3.9	267	338	4.5	0.80	1.7	616	780	19	2.65	4.4	234	296	4.7	0.90	1.9	543	688	19	3.00	5.1	204	259	5.0	1.00	2.2	474	601	19	3.50	5.7	180	228	5.1	1.15						6.6	157	199	5.3	1.35						7.6	136	172	5.4	1.55						4.0	259	328	4.3	0.80						4.5	228	289	4.7	0.90						4.9	209	265	4.9	1.00						5.8	178	226	5.2	1.20						6.5	159	202	5.3	1.30						7.3	141	179	5.4	1.50																																																																			
0.12	8360	10589	54	1.00			0.94	1101	1394	8.2	0.80	0.15	6946			8798	55	1.20	1.1	962			1218	10	0.90	0.17	5914	7491	56	1.45	1.2			856	1084	10	1.00	0.20	5187	6570			57	1.65	1.4			742	940	11	1.15	0.22	4614	5844	57	1.85	1.6	648	821	11	1.35	0.26	4046	5125	57	2.10	1.8	577	731	12	1.50	0.17	5987	7583	27	0.80	2.0	510	646	12	1.70	0.19	5324	6743	30	0.85	2.5	411	520	12	2.10	0.22	4669	5914	31	1.00	2.9	356	451	12	2.45	0.25	4080	5168	33	1.10	3.1	333	422	12	2.60	0.30	3502	4435	34	1.30	3.6	288	365	12	3.00	0.34	3076	3896	35	1.50	1.4	755	956	5.7	0.85	0.43	2399	3039	35	1.90	1.5	703	891	7.1	0.90	0.33	3093	3918	34	1.45	1.8	576	730	8.2	1.10	0.39	2639	3343	35	1.70	2.0	508	644	8.7	1.25	0.43	2395	3034	35	1.90	2.3	451	571	9.0	1.40	0.49	2095	2653	35	2.15	2.7	384	486	9.3	1.65	0.57	1800	2280	35	2.50	1.6	660	836	7.6	0.95	0.63	1632	2067	36	2.80	1.7	592	750	8.4	1.05	0.29	3599	4559	20	0.90	2.0	510	646	8.7	1.25	0.33	3161	4004	23	1.00	2.3	453	574	9.0	1.40	0.38	2748	3481	24	1.15	2.6	391	495	9.3	1.60	0.28	3693	4678	3.8	0.85	3.0	346	438	9.5	1.85	0.30	3402	4309	20	0.95	1.7	617	782	5.4	0.80	0.35	2923	3702	23	1.10	1.9	535	678	6.8	0.90	0.43	2384	3019	25	1.30	2.2	477	604	7.0	1.00	0.49	2106	2668	26	1.50	2.4	424	537	7.1	1.10	0.58	1772	2245	26	1.80	2.8	372	471	7.2	1.30	0.65	1592	2016	27	2.00	3.7	282	357	7.4	1.70	0.76	1368	1733	27	2.30	4.1	252	319	7.4	1.90	0.43	2420	3065	25	1.30	3.6	283	359	7.4	1.70	0.48	2149	2722	26	1.50	4.0	256	324	7.4	1.85	0.57	1825	2311	26	1.75	4.5	229	290	7.5	2.10	0.63	1641	2078	26	1.95	5.0	207	262	7.5	2.30	0.72	1439	1823	27	2.20	5.3	194	246	7.5	2.45	0.83	1250	1583	27	2.55	6.0	174	220	7.5	2.75	0.94	1102	1396	27	2.90	2.3	452	572	2.4	0.80	1.1	970	1228	27	3.30	2.6	403	510	4.9	0.80	0.45	2278	2885	15	0.80	3.0	344	436	5.3	0.90	0.67	1555	1969	18	1.05	3.2	322	408	5.3	1.00	0.47	2196	2781	10	0.80	3.8	272	344	5.5	1.15	0.50	2057	2606	15	0.80	2.6	396	502	3.6	0.80	0.61	1688	2138	17	0.95	3.1	339	429	5.2	0.95	0.68	1530	1938	18	1.05	3.5	294	372	5.4	1.10	0.75	1374	1740	18	1.20	3.8	275	348	5.4	1.15	0.75	1377	1744	19	1.20	4.4	238	301	5.5	1.35	0.86	1208	1530	19	1.35	5.1	201	255	5.7	1.55	1.0	1033	1308	19	1.60	5.7	180	228	5.7	1.75	1.1	906	1148	19	1.80	6.7	154	195	5.7	2.10	1.5	702	889	19	2.35	3.9	267	338	4.5	0.80	1.7	616	780	19	2.65	4.4	234	296	4.7	0.90	1.9	543	688	19	3.00	5.1	204	259	5.0	1.00	2.2	474	601	19	3.50	5.7	180	228	5.1	1.15						6.6	157	199	5.3	1.35						7.6	136	172	5.4	1.55						4.0	259	328	4.3	0.80						4.5	228	289	4.7	0.90						4.9	209	265	4.9	1.00						5.8	178	226	5.2	1.20						6.5	159	202	5.3	1.30						7.3	141	179	5.4	1.50																																																																															
0.15	6946	8798	55	1.20			1.1	962	1218	10	0.90	0.17	5914			7491	56	1.45	1.2	856			1084	10	1.00	0.20	5187	6570	57	1.65	1.4			742	940	11	1.15	0.22	4614	5844			57	1.85	1.6			648	821	11	1.35	0.26	4046	5125	57	2.10	1.8	577	731	12	1.50	0.17	5987	7583	27	0.80	2.0	510	646	12	1.70	0.19	5324	6743	30	0.85	2.5	411	520	12	2.10	0.22	4669	5914	31	1.00	2.9	356	451	12	2.45	0.25	4080	5168	33	1.10	3.1	333	422	12	2.60	0.30	3502	4435	34	1.30	3.6	288	365	12	3.00	0.34	3076	3896	35	1.50	1.4	755	956	5.7	0.85	0.43	2399	3039	35	1.90	1.5	703	891	7.1	0.90	0.33	3093	3918	34	1.45	1.8	576	730	8.2	1.10	0.39	2639	3343	35	1.70	2.0	508	644	8.7	1.25	0.43	2395	3034	35	1.90	2.3	451	571	9.0	1.40	0.49	2095	2653	35	2.15	2.7	384	486	9.3	1.65	0.57	1800	2280	35	2.50	1.6	660	836	7.6	0.95	0.63	1632	2067	36	2.80	1.7	592	750	8.4	1.05	0.29	3599	4559	20	0.90	2.0	510	646	8.7	1.25	0.33	3161	4004	23	1.00	2.3	453	574	9.0	1.40	0.38	2748	3481	24	1.15	2.6	391	495	9.3	1.60	0.28	3693	4678	3.8	0.85	3.0	346	438	9.5	1.85	0.30	3402	4309	20	0.95	1.7	617	782	5.4	0.80	0.35	2923	3702	23	1.10	1.9	535	678	6.8	0.90	0.43	2384	3019	25	1.30	2.2	477	604	7.0	1.00	0.49	2106	2668	26	1.50	2.4	424	537	7.1	1.10	0.58	1772	2245	26	1.80	2.8	372	471	7.2	1.30	0.65	1592	2016	27	2.00	3.7	282	357	7.4	1.70	0.76	1368	1733	27	2.30	4.1	252	319	7.4	1.90	0.43	2420	3065	25	1.30	3.6	283	359	7.4	1.70	0.48	2149	2722	26	1.50	4.0	256	324	7.4	1.85	0.57	1825	2311	26	1.75	4.5	229	290	7.5	2.10	0.63	1641	2078	26	1.95	5.0	207	262	7.5	2.30	0.72	1439	1823	27	2.20	5.3	194	246	7.5	2.45	0.83	1250	1583	27	2.55	6.0	174	220	7.5	2.75	0.94	1102	1396	27	2.90	2.3	452	572	2.4	0.80	1.1	970	1228	27	3.30	2.6	403	510	4.9	0.80	0.45	2278	2885	15	0.80	3.0	344	436	5.3	0.90	0.67	1555	1969	18	1.05	3.2	322	408	5.3	1.00	0.47	2196	2781	10	0.80	3.8	272	344	5.5	1.15	0.50	2057	2606	15	0.80	2.6	396	502	3.6	0.80	0.61	1688	2138	17	0.95	3.1	339	429	5.2	0.95	0.68	1530	1938	18	1.05	3.5	294	372	5.4	1.10	0.75	1374	1740	18	1.20	3.8	275	348	5.4	1.15	0.75	1377	1744	19	1.20	4.4	238	301	5.5	1.35	0.86	1208	1530	19	1.35	5.1	201	255	5.7	1.55	1.0	1033	1308	19	1.60	5.7	180	228	5.7	1.75	1.1	906	1148	19	1.80	6.7	154	195	5.7	2.10	1.5	702	889	19	2.35	3.9	267	338	4.5	0.80	1.7	616	780	19	2.65	4.4	234	296	4.7	0.90	1.9	543	688	19	3.00	5.1	204	259	5.0	1.00	2.2	474	601	19	3.50	5.7	180	228	5.1	1.15						6.6	157	199	5.3	1.35						7.6	136	172	5.4	1.55						4.0	259	328	4.3	0.80						4.5	228	289	4.7	0.90						4.9	209	265	4.9	1.00						5.8	178	226	5.2	1.20						6.5	159	202	5.3	1.30						7.3	141	179	5.4	1.50																																																																																									
0.17	5914	7491	56	1.45			1.2	856	1084	10	1.00	0.20	5187			6570	57	1.65	1.4	742			940	11	1.15	0.22	4614	5844	57	1.85	1.6			648	821	11	1.35	0.26	4046	5125			57	2.10	1.8	577	731	12	1.50	0.17	5987	7583	27	0.80	2.0	510	646	12	1.70	0.19	5324	6743	30	0.85	2.5	411	520	12	2.10	0.22	4669	5914	31	1.00	2.9	356	451	12	2.45	0.25	4080	5168	33	1.10	3.1	333	422	12	2.60	0.30	3502	4435	34	1.30	3.6	288	365	12	3.00	0.34	3076	3896	35	1.50	1.4	755	956	5.7	0.85	0.43	2399	3039	35	1.90	1.5	703	891	7.1	0.90	0.33	3093	3918	34	1.45	1.8	576	730	8.2	1.10	0.39	2639	3343	35	1.70	2.0	508	644	8.7	1.25	0.43	2395	3034	35	1.90	2.3	451	571	9.0	1.40	0.49	2095	2653	35	2.15	2.7	384	486	9.3	1.65	0.57	1800	2280	35	2.50	1.6	660	836	7.6	0.95	0.63	1632	2067	36	2.80	1.7	592	750	8.4	1.05	0.29	3599	4559	20	0.90	2.0	510	646	8.7	1.25	0.33	3161	4004	23	1.00	2.3	453	574	9.0	1.40	0.38	2748	3481	24	1.15	2.6	391	495	9.3	1.60	0.28	3693	4678	3.8	0.85	3.0	346	438	9.5	1.85	0.30	3402	4309	20	0.95	1.7	617	782	5.4	0.80	0.35	2923	3702	23	1.10	1.9	535	678	6.8	0.90	0.43	2384	3019	25	1.30	2.2	477	604	7.0	1.00	0.49	2106	2668	26	1.50	2.4	424	537	7.1	1.10	0.58	1772	2245	26	1.80	2.8	372	471	7.2	1.30	0.65	1592	2016	27	2.00	3.7	282	357	7.4	1.70	0.76	1368	1733	27	2.30	4.1	252	319	7.4	1.90	0.43	2420	3065	25	1.30	3.6	283	359	7.4	1.70	0.48	2149	2722	26	1.50	4.0	256	324	7.4	1.85	0.57	1825	2311	26	1.75	4.5	229	290	7.5	2.10	0.63	1641	2078	26	1.95	5.0	207	262	7.5	2.30	0.72	1439	1823	27	2.20	5.3	194	246	7.5	2.45	0.83	1250	1583	27	2.55	6.0	174	220	7.5	2.75	0.94	1102	1396	27	2.90	2.3	452	572	2.4	0.80	1.1	970	1228	27	3.30	2.6	403	510	4.9	0.80	0.45	2278	2885	15	0.80	3.0	344	436	5.3	0.90	0.67	1555	1969	18	1.05	3.2	322	408	5.3	1.00	0.47	2196	2781	10	0.80	3.8	272	344	5.5	1.15	0.50	2057	2606	15	0.80	2.6	396	502	3.6	0.80	0.61	1688	2138	17	0.95	3.1	339	429	5.2	0.95	0.68	1530	1938	18	1.05	3.5	294	372	5.4	1.10	0.75	1374	1740	18	1.20	3.8	275	348	5.4	1.15	0.75	1377	1744	19	1.20	4.4	238	301	5.5	1.35	0.86	1208	1530	19	1.35	5.1	201	255	5.7	1.55	1.0	1033	1308	19	1.60	5.7	180	228	5.7	1.75	1.1	906	1148	19	1.80	6.7	154	195	5.7	2.10	1.5	702	889	19	2.35	3.9	267	338	4.5	0.80	1.7	616	780	19	2.65	4.4	234	296	4.7	0.90	1.9	543	688	19	3.00	5.1	204	259	5.0	1.00	2.2	474	601	19	3.50	5.7	180	228	5.1	1.15						6.6	157	199	5.3	1.35						7.6	136	172	5.4	1.55						4.0	259	328	4.3	0.80						4.5	228	289	4.7	0.90						4.9	209	265	4.9	1.00						5.8	178	226	5.2	1.20						6.5	159	202	5.3	1.30						7.3	141	179	5.4	1.50																																																																																																					
0.20	5187	6570	57	1.65			1.4	742	940	11	1.15	0.22	4614			5844	57	1.85	1.6	648			821	11	1.35	0.26	4046	5125	57	2.10	1.8			577	731	12	1.50	0.17	5987	7583	27	0.80	2.0	510	646	12	1.70	0.19	5324	6743	30	0.85	2.5	411	520	12	2.10	0.22	4669	5914	31	1.00	2.9	356	451	12	2.45	0.25	4080	5168	33	1.10	3.1	333	422	12	2.60	0.30	3502	4435	34	1.30	3.6	288	365	12	3.00	0.34	3076	3896	35	1.50	1.4	755	956	5.7	0.85	0.43	2399	3039	35	1.90	1.5	703	891	7.1	0.90	0.33	3093	3918	34	1.45	1.8	576	730	8.2	1.10	0.39	2639	3343	35	1.70	2.0	508	644	8.7	1.25	0.43	2395	3034	35	1.90	2.3	451	571	9.0	1.40	0.49	2095	2653	35	2.15	2.7	384	486	9.3	1.65	0.57	1800	2280	35	2.50	1.6	660	836	7.6	0.95	0.63	1632	2067	36	2.80	1.7	592	750	8.4	1.05	0.29	3599	4559	20	0.90	2.0	510	646	8.7	1.25	0.33	3161	4004	23	1.00	2.3	453	574	9.0	1.40	0.38	2748	3481	24	1.15	2.6	391	495	9.3	1.60	0.28	3693	4678	3.8	0.85	3.0	346	438	9.5	1.85	0.30	3402	4309	20	0.95	1.7	617	782	5.4	0.80	0.35	2923	3702	23	1.10	1.9	535	678	6.8	0.90	0.43	2384	3019	25	1.30	2.2	477	604	7.0	1.00	0.49	2106	2668	26	1.50	2.4	424	537	7.1	1.10	0.58	1772	2245	26	1.80	2.8	372	471	7.2	1.30	0.65	1592	2016	27	2.00	3.7	282	357	7.4	1.70	0.76	1368	1733	27	2.30	4.1	252	319	7.4	1.90	0.43	2420	3065	25	1.30	3.6	283	359	7.4	1.70	0.48	2149	2722	26	1.50	4.0	256	324	7.4	1.85	0.57	1825	2311	26	1.75	4.5	229	290	7.5	2.10	0.63	1641	2078	26	1.95	5.0	207	262	7.5	2.30	0.72	1439	1823	27	2.20	5.3	194	246	7.5	2.45	0.83	1250	1583	27	2.55	6.0	174	220	7.5	2.75	0.94	1102	1396	27	2.90	2.3	452	572	2.4	0.80	1.1	970	1228	27	3.30	2.6	403	510	4.9	0.80	0.45	2278	2885	15	0.80	3.0	344	436	5.3	0.90	0.67	1555	1969	18	1.05	3.2	322	408	5.3	1.00	0.47	2196	2781	10	0.80	3.8	272	344	5.5	1.15	0.50	2057	2606	15	0.80	2.6	396	502	3.6	0.80	0.61	1688	2138	17	0.95	3.1	339	429	5.2	0.95	0.68	1530	1938	18	1.05	3.5	294	372	5.4	1.10	0.75	1374	1740	18	1.20	3.8	275	348	5.4	1.15	0.75	1377	1744	19	1.20	4.4	238	301	5.5	1.35	0.86	1208	1530	19	1.35	5.1	201	255	5.7	1.55	1.0	1033	1308	19	1.60	5.7	180	228	5.7	1.75	1.1	906	1148	19	1.80	6.7	154	195	5.7	2.10	1.5	702	889	19	2.35	3.9	267	338	4.5	0.80	1.7	616	780	19	2.65	4.4	234	296	4.7	0.90	1.9	543	688	19	3.00	5.1	204	259	5.0	1.00	2.2	474	601	19	3.50	5.7	180	228	5.1	1.15						6.6	157	199	5.3	1.35						7.6	136	172	5.4	1.55						4.0	259	328	4.3	0.80						4.5	228	289	4.7	0.90						4.9	209	265	4.9	1.00						5.8	178	226	5.2	1.20						6.5	159	202	5.3	1.30						7.3	141	179	5.4	1.50																																																																																																																	
0.22	4614	5844	57	1.85			1.6	648	821	11	1.35	0.26	4046			5125	57	2.10	1.8	577			731	12	1.50	0.17	5987	7583	27	0.80	2.0	510	646	12	1.70	0.19	5324	6743	30	0.85	2.5	411	520	12	2.10	0.22	4669	5914	31	1.00	2.9	356	451	12	2.45	0.25	4080	5168	33	1.10	3.1	333	422	12	2.60	0.30	3502	4435	34	1.30	3.6	288	365	12	3.00	0.34	3076	3896	35	1.50	1.4	755	956	5.7	0.85	0.43	2399	3039	35	1.90	1.5	703	891	7.1	0.90	0.33	3093	3918	34	1.45	1.8	576	730	8.2	1.10	0.39	2639	3343	35	1.70	2.0	508	644	8.7	1.25	0.43	2395	3034	35	1.90	2.3	451	571	9.0	1.40	0.49	2095	2653	35	2.15	2.7	384	486	9.3	1.65	0.57	1800	2280	35	2.50	1.6	660	836	7.6	0.95	0.63	1632	2067	36	2.80	1.7	592	750	8.4	1.05	0.29	3599	4559	20	0.90	2.0	510	646	8.7	1.25	0.33	3161	4004	23	1.00	2.3	453	574	9.0	1.40	0.38	2748	3481	24	1.15	2.6	391	495	9.3	1.60	0.28	3693	4678	3.8	0.85	3.0	346	438	9.5	1.85	0.30	3402	4309	20	0.95	1.7	617	782	5.4	0.80	0.35	2923	3702	23	1.10	1.9	535	678	6.8	0.90	0.43	2384	3019	25	1.30	2.2	477	604	7.0	1.00	0.49	2106	2668	26	1.50	2.4	424	537	7.1	1.10	0.58	1772	2245	26	1.80	2.8	372	471	7.2	1.30	0.65	1592	2016	27	2.00	3.7	282	357	7.4	1.70	0.76	1368	1733	27	2.30	4.1	252	319	7.4	1.90	0.43	2420	3065	25	1.30	3.6	283	359	7.4	1.70	0.48	2149	2722	26	1.50	4.0	256	324	7.4	1.85	0.57	1825	2311	26	1.75	4.5	229	290	7.5	2.10	0.63	1641	2078	26	1.95	5.0	207	262	7.5	2.30	0.72	1439	1823	27	2.20	5.3	194	246	7.5	2.45	0.83	1250	1583	27	2.55	6.0	174	220	7.5	2.75	0.94	1102	1396	27	2.90	2.3	452	572	2.4	0.80	1.1	970	1228	27	3.30	2.6	403	510	4.9	0.80	0.45	2278	2885	15	0.80	3.0	344	436	5.3	0.90	0.67	1555	1969	18	1.05	3.2	322	408	5.3	1.00	0.47	2196	2781	10	0.80	3.8	272	344	5.5	1.15	0.50	2057	2606	15	0.80	2.6	396	502	3.6	0.80	0.61	1688	2138	17	0.95	3.1	339	429	5.2	0.95	0.68	1530	1938	18	1.05	3.5	294	372	5.4	1.10	0.75	1374	1740	18	1.20	3.8	275	348	5.4	1.15	0.75	1377	1744	19	1.20	4.4	238	301	5.5	1.35	0.86	1208	1530	19	1.35	5.1	201	255	5.7	1.55	1.0	1033	1308	19	1.60	5.7	180	228	5.7	1.75	1.1	906	1148	19	1.80	6.7	154	195	5.7	2.10	1.5	702	889	19	2.35	3.9	267	338	4.5	0.80	1.7	616	780	19	2.65	4.4	234	296	4.7	0.90	1.9	543	688	19	3.00	5.1	204	259	5.0	1.00	2.2	474	601	19	3.50	5.7	180	228	5.1	1.15						6.6	157	199	5.3	1.35						7.6	136	172	5.4	1.55						4.0	259	328	4.3	0.80						4.5	228	289	4.7	0.90						4.9	209	265	4.9	1.00						5.8	178	226	5.2	1.20						6.5	159	202	5.3	1.30						7.3	141	179	5.4	1.50																																																																																																																													
0.26	4046	5125	57	2.10			1.8	577	731	12	1.50	0.17	5987			7583	27	0.80	2.0	510	646	12	1.70	0.19	5324	6743	30	0.85	2.5	411	520	12	2.10	0.22	4669	5914	31	1.00	2.9	356	451	12	2.45	0.25	4080	5168	33	1.10	3.1	333	422	12	2.60	0.30	3502	4435	34	1.30	3.6	288	365	12	3.00	0.34	3076	3896	35	1.50	1.4	755	956	5.7	0.85	0.43	2399	3039	35	1.90	1.5	703	891	7.1	0.90	0.33	3093	3918	34	1.45	1.8	576	730	8.2	1.10	0.39	2639	3343	35	1.70	2.0	508	644	8.7	1.25	0.43	2395	3034	35	1.90	2.3	451	571	9.0	1.40	0.49	2095	2653	35	2.15	2.7	384	486	9.3	1.65	0.57	1800	2280	35	2.50	1.6	660	836	7.6	0.95	0.63	1632	2067	36	2.80	1.7	592	750	8.4	1.05	0.29	3599	4559	20	0.90	2.0	510	646	8.7	1.25	0.33	3161	4004	23	1.00	2.3	453	574	9.0	1.40	0.38	2748	3481	24	1.15	2.6	391	495	9.3	1.60	0.28	3693	4678	3.8	0.85	3.0	346	438	9.5	1.85	0.30	3402	4309	20	0.95	1.7	617	782	5.4	0.80	0.35	2923	3702	23	1.10	1.9	535	678	6.8	0.90	0.43	2384	3019	25	1.30	2.2	477	604	7.0	1.00	0.49	2106	2668	26	1.50	2.4	424	537	7.1	1.10	0.58	1772	2245	26	1.80	2.8	372	471	7.2	1.30	0.65	1592	2016	27	2.00	3.7	282	357	7.4	1.70	0.76	1368	1733	27	2.30	4.1	252	319	7.4	1.90	0.43	2420	3065	25	1.30	3.6	283	359	7.4	1.70	0.48	2149	2722	26	1.50	4.0	256	324	7.4	1.85	0.57	1825	2311	26	1.75	4.5	229	290	7.5	2.10	0.63	1641	2078	26	1.95	5.0	207	262	7.5	2.30	0.72	1439	1823	27	2.20	5.3	194	246	7.5	2.45	0.83	1250	1583	27	2.55	6.0	174	220	7.5	2.75	0.94	1102	1396	27	2.90	2.3	452	572	2.4	0.80	1.1	970	1228	27	3.30	2.6	403	510	4.9	0.80	0.45	2278	2885	15	0.80	3.0	344	436	5.3	0.90	0.67	1555	1969	18	1.05	3.2	322	408	5.3	1.00	0.47	2196	2781	10	0.80	3.8	272	344	5.5	1.15	0.50	2057	2606	15	0.80	2.6	396	502	3.6	0.80	0.61	1688	2138	17	0.95	3.1	339	429	5.2	0.95	0.68	1530	1938	18	1.05	3.5	294	372	5.4	1.10	0.75	1374	1740	18	1.20	3.8	275	348	5.4	1.15	0.75	1377	1744	19	1.20	4.4	238	301	5.5	1.35	0.86	1208	1530	19	1.35	5.1	201	255	5.7	1.55	1.0	1033	1308	19	1.60	5.7	180	228	5.7	1.75	1.1	906	1148	19	1.80	6.7	154	195	5.7	2.10	1.5	702	889	19	2.35	3.9	267	338	4.5	0.80	1.7	616	780	19	2.65	4.4	234	296	4.7	0.90	1.9	543	688	19	3.00	5.1	204	259	5.0	1.00	2.2	474	601	19	3.50	5.7	180	228	5.1	1.15						6.6	157	199	5.3	1.35						7.6	136	172	5.4	1.55						4.0	259	328	4.3	0.80						4.5	228	289	4.7	0.90						4.9	209	265	4.9	1.00						5.8	178	226	5.2	1.20						6.5	159	202	5.3	1.30						7.3	141	179	5.4	1.50																																																																																																																																									
0.17	5987	7583	27	0.80			2.0	510	646	12	1.70	0.19	5324	6743	30	0.85	2.5	411	520	12	2.10	0.22	4669	5914	31	1.00	2.9	356	451	12	2.45	0.25	4080	5168	33	1.10	3.1	333	422	12	2.60	0.30	3502	4435	34	1.30	3.6	288	365	12	3.00	0.34	3076	3896	35	1.50	1.4	755	956	5.7	0.85	0.43	2399	3039	35	1.90	1.5	703	891	7.1	0.90	0.33	3093	3918	34	1.45	1.8	576	730	8.2	1.10	0.39	2639	3343	35	1.70	2.0	508	644	8.7	1.25	0.43	2395	3034	35	1.90	2.3	451	571	9.0	1.40	0.49	2095	2653	35	2.15	2.7	384	486	9.3	1.65	0.57	1800	2280	35	2.50	1.6	660	836	7.6	0.95	0.63	1632	2067	36	2.80	1.7	592	750	8.4	1.05	0.29	3599	4559	20	0.90	2.0	510	646	8.7	1.25	0.33	3161	4004	23	1.00	2.3	453	574	9.0	1.40	0.38	2748	3481	24	1.15	2.6	391	495	9.3	1.60	0.28	3693	4678	3.8	0.85	3.0	346	438	9.5	1.85	0.30	3402	4309	20	0.95	1.7	617	782	5.4	0.80	0.35	2923	3702	23	1.10	1.9	535	678	6.8	0.90	0.43	2384	3019	25	1.30	2.2	477	604	7.0	1.00	0.49	2106	2668	26	1.50	2.4	424	537	7.1	1.10	0.58	1772	2245	26	1.80	2.8	372	471	7.2	1.30	0.65	1592	2016	27	2.00	3.7	282	357	7.4	1.70	0.76	1368	1733	27	2.30	4.1	252	319	7.4	1.90	0.43	2420	3065	25	1.30	3.6	283	359	7.4	1.70	0.48	2149	2722	26	1.50	4.0	256	324	7.4	1.85	0.57	1825	2311	26	1.75	4.5	229	290	7.5	2.10	0.63	1641	2078	26	1.95	5.0	207	262	7.5	2.30	0.72	1439	1823	27	2.20	5.3	194	246	7.5	2.45	0.83	1250	1583	27	2.55	6.0	174	220	7.5	2.75	0.94	1102	1396	27	2.90	2.3	452	572	2.4	0.80	1.1	970	1228	27	3.30	2.6	403	510	4.9	0.80	0.45	2278	2885	15	0.80	3.0	344	436	5.3	0.90	0.67	1555	1969	18	1.05	3.2	322	408	5.3	1.00	0.47	2196	2781	10	0.80	3.8	272	344	5.5	1.15	0.50	2057	2606	15	0.80	2.6	396	502	3.6	0.80	0.61	1688	2138	17	0.95	3.1	339	429	5.2	0.95	0.68	1530	1938	18	1.05	3.5	294	372	5.4	1.10	0.75	1374	1740	18	1.20	3.8	275	348	5.4	1.15	0.75	1377	1744	19	1.20	4.4	238	301	5.5	1.35	0.86	1208	1530	19	1.35	5.1	201	255	5.7	1.55	1.0	1033	1308	19	1.60	5.7	180	228	5.7	1.75	1.1	906	1148	19	1.80	6.7	154	195	5.7	2.10	1.5	702	889	19	2.35	3.9	267	338	4.5	0.80	1.7	616	780	19	2.65	4.4	234	296	4.7	0.90	1.9	543	688	19	3.00	5.1	204	259	5.0	1.00	2.2	474	601	19	3.50	5.7	180	228	5.1	1.15						6.6	157	199	5.3	1.35						7.6	136	172	5.4	1.55						4.0	259	328	4.3	0.80						4.5	228	289	4.7	0.90						4.9	209	265	4.9	1.00						5.8	178	226	5.2	1.20						6.5	159	202	5.3	1.30						7.3	141	179	5.4	1.50																																																																																																																																																					
0.19	5324	6743	30	0.85	2.5	411	520	12	2.10	0.22	4669	5914	31	1.00	2.9	356	451	12	2.45	0.25	4080	5168	33	1.10	3.1	333	422	12	2.60	0.30	3502	4435	34	1.30	3.6	288	365	12	3.00	0.34	3076	3896	35	1.50	1.4	755	956	5.7	0.85	0.43	2399	3039	35	1.90	1.5	703	891	7.1	0.90	0.33	3093	3918	34	1.45	1.8	576	730	8.2	1.10	0.39	2639	3343	35	1.70	2.0	508	644	8.7	1.25	0.43	2395	3034	35	1.90	2.3	451	571	9.0	1.40	0.49	2095	2653	35	2.15	2.7	384	486	9.3	1.65	0.57	1800	2280	35	2.50	1.6	660	836	7.6	0.95	0.63	1632	2067	36	2.80	1.7	592	750	8.4	1.05	0.29	3599	4559	20	0.90	2.0	510	646	8.7	1.25	0.33	3161	4004	23	1.00	2.3	453	574	9.0	1.40	0.38	2748	3481	24	1.15	2.6	391	495	9.3	1.60	0.28	3693	4678	3.8	0.85	3.0	346	438	9.5	1.85	0.30	3402	4309	20	0.95	1.7	617	782	5.4	0.80	0.35	2923	3702	23	1.10	1.9	535	678	6.8	0.90	0.43	2384	3019	25	1.30	2.2	477	604	7.0	1.00	0.49	2106	2668	26	1.50	2.4	424	537	7.1	1.10	0.58	1772	2245	26	1.80	2.8	372	471	7.2	1.30	0.65	1592	2016	27	2.00	3.7	282	357	7.4	1.70	0.76	1368	1733	27	2.30	4.1	252	319	7.4	1.90	0.43	2420	3065	25	1.30	3.6	283	359	7.4	1.70	0.48	2149	2722	26	1.50	4.0	256	324	7.4	1.85	0.57	1825	2311	26	1.75	4.5	229	290	7.5	2.10	0.63	1641	2078	26	1.95	5.0	207	262	7.5	2.30	0.72	1439	1823	27	2.20	5.3	194	246	7.5	2.45	0.83	1250	1583	27	2.55	6.0	174	220	7.5	2.75	0.94	1102	1396	27	2.90	2.3	452	572	2.4	0.80	1.1	970	1228	27	3.30	2.6	403	510	4.9	0.80	0.45	2278	2885	15	0.80	3.0	344	436	5.3	0.90	0.67	1555	1969	18	1.05	3.2	322	408	5.3	1.00	0.47	2196	2781	10	0.80	3.8	272	344	5.5	1.15	0.50	2057	2606	15	0.80	2.6	396	502	3.6	0.80	0.61	1688	2138	17	0.95	3.1	339	429	5.2	0.95	0.68	1530	1938	18	1.05	3.5	294	372	5.4	1.10	0.75	1374	1740	18	1.20	3.8	275	348	5.4	1.15	0.75	1377	1744	19	1.20	4.4	238	301	5.5	1.35	0.86	1208	1530	19	1.35	5.1	201	255	5.7	1.55	1.0	1033	1308	19	1.60	5.7	180	228	5.7	1.75	1.1	906	1148	19	1.80	6.7	154	195	5.7	2.10	1.5	702	889	19	2.35	3.9	267	338	4.5	0.80	1.7	616	780	19	2.65	4.4	234	296	4.7	0.90	1.9	543	688	19	3.00	5.1	204	259	5.0	1.00	2.2	474	601	19	3.50	5.7	180	228	5.1	1.15						6.6	157	199	5.3	1.35						7.6	136	172	5.4	1.55						4.0	259	328	4.3	0.80						4.5	228	289	4.7	0.90						4.9	209	265	4.9	1.00						5.8	178	226	5.2	1.20						6.5	159	202	5.3	1.30						7.3	141	179	5.4	1.50																																																																																																																																																																	
0.22	4669	5914	31	1.00	2.9	356	451	12	2.45	0.25	4080	5168	33	1.10	3.1	333	422	12	2.60	0.30	3502	4435	34	1.30	3.6	288	365	12	3.00	0.34	3076	3896	35	1.50	1.4	755	956	5.7	0.85	0.43	2399	3039	35	1.90	1.5	703	891	7.1	0.90	0.33	3093	3918	34	1.45	1.8	576	730	8.2	1.10	0.39	2639	3343	35	1.70	2.0	508	644	8.7	1.25	0.43	2395	3034	35	1.90	2.3	451	571	9.0	1.40	0.49	2095	2653	35	2.15	2.7	384	486	9.3	1.65	0.57	1800	2280	35	2.50	1.6	660	836	7.6	0.95	0.63	1632	2067	36	2.80	1.7	592	750	8.4	1.05	0.29	3599	4559	20	0.90	2.0	510	646	8.7	1.25	0.33	3161	4004	23	1.00	2.3	453	574	9.0	1.40	0.38	2748	3481	24	1.15	2.6	391	495	9.3	1.60	0.28	3693	4678	3.8	0.85	3.0	346	438	9.5	1.85	0.30	3402	4309	20	0.95	1.7	617	782	5.4	0.80	0.35	2923	3702	23	1.10	1.9	535	678	6.8	0.90	0.43	2384	3019	25	1.30	2.2	477	604	7.0	1.00	0.49	2106	2668	26	1.50	2.4	424	537	7.1	1.10	0.58	1772	2245	26	1.80	2.8	372	471	7.2	1.30	0.65	1592	2016	27	2.00	3.7	282	357	7.4	1.70	0.76	1368	1733	27	2.30	4.1	252	319	7.4	1.90	0.43	2420	3065	25	1.30	3.6	283	359	7.4	1.70	0.48	2149	2722	26	1.50	4.0	256	324	7.4	1.85	0.57	1825	2311	26	1.75	4.5	229	290	7.5	2.10	0.63	1641	2078	26	1.95	5.0	207	262	7.5	2.30	0.72	1439	1823	27	2.20	5.3	194	246	7.5	2.45	0.83	1250	1583	27	2.55	6.0	174	220	7.5	2.75	0.94	1102	1396	27	2.90	2.3	452	572	2.4	0.80	1.1	970	1228	27	3.30	2.6	403	510	4.9	0.80	0.45	2278	2885	15	0.80	3.0	344	436	5.3	0.90	0.67	1555	1969	18	1.05	3.2	322	408	5.3	1.00	0.47	2196	2781	10	0.80	3.8	272	344	5.5	1.15	0.50	2057	2606	15	0.80	2.6	396	502	3.6	0.80	0.61	1688	2138	17	0.95	3.1	339	429	5.2	0.95	0.68	1530	1938	18	1.05	3.5	294	372	5.4	1.10	0.75	1374	1740	18	1.20	3.8	275	348	5.4	1.15	0.75	1377	1744	19	1.20	4.4	238	301	5.5	1.35	0.86	1208	1530	19	1.35	5.1	201	255	5.7	1.55	1.0	1033	1308	19	1.60	5.7	180	228	5.7	1.75	1.1	906	1148	19	1.80	6.7	154	195	5.7	2.10	1.5	702	889	19	2.35	3.9	267	338	4.5	0.80	1.7	616	780	19	2.65	4.4	234	296	4.7	0.90	1.9	543	688	19	3.00	5.1	204	259	5.0	1.00	2.2	474	601	19	3.50	5.7	180	228	5.1	1.15						6.6	157	199	5.3	1.35						7.6	136	172	5.4	1.55						4.0	259	328	4.3	0.80						4.5	228	289	4.7	0.90						4.9	209	265	4.9	1.00						5.8	178	226	5.2	1.20						6.5	159	202	5.3	1.30						7.3	141	179	5.4	1.50																																																																																																																																																																											
0.25	4080	5168	33	1.10	3.1	333	422	12	2.60	0.30	3502	4435	34	1.30	3.6	288	365	12	3.00	0.34	3076	3896	35	1.50	1.4	755	956	5.7	0.85	0.43	2399	3039	35	1.90	1.5	703	891	7.1	0.90	0.33	3093	3918	34	1.45	1.8	576	730	8.2	1.10	0.39	2639	3343	35	1.70	2.0	508	644	8.7	1.25	0.43	2395	3034	35	1.90	2.3	451	571	9.0	1.40	0.49	2095	2653	35	2.15	2.7	384	486	9.3	1.65	0.57	1800	2280	35	2.50	1.6	660	836	7.6	0.95	0.63	1632	2067	36	2.80	1.7	592	750	8.4	1.05	0.29	3599	4559	20	0.90	2.0	510	646	8.7	1.25	0.33	3161	4004	23	1.00	2.3	453	574	9.0	1.40	0.38	2748	3481	24	1.15	2.6	391	495	9.3	1.60	0.28	3693	4678	3.8	0.85	3.0	346	438	9.5	1.85	0.30	3402	4309	20	0.95	1.7	617	782	5.4	0.80	0.35	2923	3702	23	1.10	1.9	535	678	6.8	0.90	0.43	2384	3019	25	1.30	2.2	477	604	7.0	1.00	0.49	2106	2668	26	1.50	2.4	424	537	7.1	1.10	0.58	1772	2245	26	1.80	2.8	372	471	7.2	1.30	0.65	1592	2016	27	2.00	3.7	282	357	7.4	1.70	0.76	1368	1733	27	2.30	4.1	252	319	7.4	1.90	0.43	2420	3065	25	1.30	3.6	283	359	7.4	1.70	0.48	2149	2722	26	1.50	4.0	256	324	7.4	1.85	0.57	1825	2311	26	1.75	4.5	229	290	7.5	2.10	0.63	1641	2078	26	1.95	5.0	207	262	7.5	2.30	0.72	1439	1823	27	2.20	5.3	194	246	7.5	2.45	0.83	1250	1583	27	2.55	6.0	174	220	7.5	2.75	0.94	1102	1396	27	2.90	2.3	452	572	2.4	0.80	1.1	970	1228	27	3.30	2.6	403	510	4.9	0.80	0.45	2278	2885	15	0.80	3.0	344	436	5.3	0.90	0.67	1555	1969	18	1.05	3.2	322	408	5.3	1.00	0.47	2196	2781	10	0.80	3.8	272	344	5.5	1.15	0.50	2057	2606	15	0.80	2.6	396	502	3.6	0.80	0.61	1688	2138	17	0.95	3.1	339	429	5.2	0.95	0.68	1530	1938	18	1.05	3.5	294	372	5.4	1.10	0.75	1374	1740	18	1.20	3.8	275	348	5.4	1.15	0.75	1377	1744	19	1.20	4.4	238	301	5.5	1.35	0.86	1208	1530	19	1.35	5.1	201	255	5.7	1.55	1.0	1033	1308	19	1.60	5.7	180	228	5.7	1.75	1.1	906	1148	19	1.80	6.7	154	195	5.7	2.10	1.5	702	889	19	2.35	3.9	267	338	4.5	0.80	1.7	616	780	19	2.65	4.4	234	296	4.7	0.90	1.9	543	688	19	3.00	5.1	204	259	5.0	1.00	2.2	474	601	19	3.50	5.7	180	228	5.1	1.15						6.6	157	199	5.3	1.35						7.6	136	172	5.4	1.55						4.0	259	328	4.3	0.80						4.5	228	289	4.7	0.90						4.9	209	265	4.9	1.00						5.8	178	226	5.2	1.20						6.5	159	202	5.3	1.30						7.3	141	179	5.4	1.50																																																																																																																																																																																					
0.30	3502	4435	34	1.30	3.6	288	365	12	3.00	0.34	3076	3896	35	1.50	1.4	755	956	5.7	0.85	0.43	2399	3039	35	1.90	1.5	703	891	7.1	0.90	0.33	3093	3918	34	1.45	1.8	576	730	8.2	1.10	0.39	2639	3343	35	1.70	2.0	508	644	8.7	1.25	0.43	2395	3034	35	1.90	2.3	451	571	9.0	1.40	0.49	2095	2653	35	2.15	2.7	384	486	9.3	1.65	0.57	1800	2280	35	2.50	1.6	660	836	7.6	0.95	0.63	1632	2067	36	2.80	1.7	592	750	8.4	1.05	0.29	3599	4559	20	0.90	2.0	510	646	8.7	1.25	0.33	3161	4004	23	1.00	2.3	453	574	9.0	1.40	0.38	2748	3481	24	1.15	2.6	391	495	9.3	1.60	0.28	3693	4678	3.8	0.85	3.0	346	438	9.5	1.85	0.30	3402	4309	20	0.95	1.7	617	782	5.4	0.80	0.35	2923	3702	23	1.10	1.9	535	678	6.8	0.90	0.43	2384	3019	25	1.30	2.2	477	604	7.0	1.00	0.49	2106	2668	26	1.50	2.4	424	537	7.1	1.10	0.58	1772	2245	26	1.80	2.8	372	471	7.2	1.30	0.65	1592	2016	27	2.00	3.7	282	357	7.4	1.70	0.76	1368	1733	27	2.30	4.1	252	319	7.4	1.90	0.43	2420	3065	25	1.30	3.6	283	359	7.4	1.70	0.48	2149	2722	26	1.50	4.0	256	324	7.4	1.85	0.57	1825	2311	26	1.75	4.5	229	290	7.5	2.10	0.63	1641	2078	26	1.95	5.0	207	262	7.5	2.30	0.72	1439	1823	27	2.20	5.3	194	246	7.5	2.45	0.83	1250	1583	27	2.55	6.0	174	220	7.5	2.75	0.94	1102	1396	27	2.90	2.3	452	572	2.4	0.80	1.1	970	1228	27	3.30	2.6	403	510	4.9	0.80	0.45	2278	2885	15	0.80	3.0	344	436	5.3	0.90	0.67	1555	1969	18	1.05	3.2	322	408	5.3	1.00	0.47	2196	2781	10	0.80	3.8	272	344	5.5	1.15	0.50	2057	2606	15	0.80	2.6	396	502	3.6	0.80	0.61	1688	2138	17	0.95	3.1	339	429	5.2	0.95	0.68	1530	1938	18	1.05	3.5	294	372	5.4	1.10	0.75	1374	1740	18	1.20	3.8	275	348	5.4	1.15	0.75	1377	1744	19	1.20	4.4	238	301	5.5	1.35	0.86	1208	1530	19	1.35	5.1	201	255	5.7	1.55	1.0	1033	1308	19	1.60	5.7	180	228	5.7	1.75	1.1	906	1148	19	1.80	6.7	154	195	5.7	2.10	1.5	702	889	19	2.35	3.9	267	338	4.5	0.80	1.7	616	780	19	2.65	4.4	234	296	4.7	0.90	1.9	543	688	19	3.00	5.1	204	259	5.0	1.00	2.2	474	601	19	3.50	5.7	180	228	5.1	1.15						6.6	157	199	5.3	1.35						7.6	136	172	5.4	1.55						4.0	259	328	4.3	0.80						4.5	228	289	4.7	0.90						4.9	209	265	4.9	1.00						5.8	178	226	5.2	1.20						6.5	159	202	5.3	1.30						7.3	141	179	5.4	1.50																																																																																																																																																																																															
0.34	3076	3896	35	1.50	1.4	755	956	5.7	0.85	0.43	2399	3039	35	1.90	1.5	703	891	7.1	0.90	0.33	3093	3918	34	1.45	1.8	576	730	8.2	1.10	0.39	2639	3343	35	1.70	2.0	508	644	8.7	1.25	0.43	2395	3034	35	1.90	2.3	451	571	9.0	1.40	0.49	2095	2653	35	2.15	2.7	384	486	9.3	1.65	0.57	1800	2280	35	2.50	1.6	660	836	7.6	0.95	0.63	1632	2067	36	2.80	1.7	592	750	8.4	1.05	0.29	3599	4559	20	0.90	2.0	510	646	8.7	1.25	0.33	3161	4004	23	1.00	2.3	453	574	9.0	1.40	0.38	2748	3481	24	1.15	2.6	391	495	9.3	1.60	0.28	3693	4678	3.8	0.85	3.0	346	438	9.5	1.85	0.30	3402	4309	20	0.95	1.7	617	782	5.4	0.80	0.35	2923	3702	23	1.10	1.9	535	678	6.8	0.90	0.43	2384	3019	25	1.30	2.2	477	604	7.0	1.00	0.49	2106	2668	26	1.50	2.4	424	537	7.1	1.10	0.58	1772	2245	26	1.80	2.8	372	471	7.2	1.30	0.65	1592	2016	27	2.00	3.7	282	357	7.4	1.70	0.76	1368	1733	27	2.30	4.1	252	319	7.4	1.90	0.43	2420	3065	25	1.30	3.6	283	359	7.4	1.70	0.48	2149	2722	26	1.50	4.0	256	324	7.4	1.85	0.57	1825	2311	26	1.75	4.5	229	290	7.5	2.10	0.63	1641	2078	26	1.95	5.0	207	262	7.5	2.30	0.72	1439	1823	27	2.20	5.3	194	246	7.5	2.45	0.83	1250	1583	27	2.55	6.0	174	220	7.5	2.75	0.94	1102	1396	27	2.90	2.3	452	572	2.4	0.80	1.1	970	1228	27	3.30	2.6	403	510	4.9	0.80	0.45	2278	2885	15	0.80	3.0	344	436	5.3	0.90	0.67	1555	1969	18	1.05	3.2	322	408	5.3	1.00	0.47	2196	2781	10	0.80	3.8	272	344	5.5	1.15	0.50	2057	2606	15	0.80	2.6	396	502	3.6	0.80	0.61	1688	2138	17	0.95	3.1	339	429	5.2	0.95	0.68	1530	1938	18	1.05	3.5	294	372	5.4	1.10	0.75	1374	1740	18	1.20	3.8	275	348	5.4	1.15	0.75	1377	1744	19	1.20	4.4	238	301	5.5	1.35	0.86	1208	1530	19	1.35	5.1	201	255	5.7	1.55	1.0	1033	1308	19	1.60	5.7	180	228	5.7	1.75	1.1	906	1148	19	1.80	6.7	154	195	5.7	2.10	1.5	702	889	19	2.35	3.9	267	338	4.5	0.80	1.7	616	780	19	2.65	4.4	234	296	4.7	0.90	1.9	543	688	19	3.00	5.1	204	259	5.0	1.00	2.2	474	601	19	3.50	5.7	180	228	5.1	1.15						6.6	157	199	5.3	1.35						7.6	136	172	5.4	1.55						4.0	259	328	4.3	0.80						4.5	228	289	4.7	0.90						4.9	209	265	4.9	1.00						5.8	178	226	5.2	1.20						6.5	159	202	5.3	1.30						7.3	141	179	5.4	1.50																																																																																																																																																																																																									
0.43	2399	3039	35	1.90	1.5	703	891	7.1	0.90	0.33	3093	3918	34	1.45	1.8	576	730	8.2	1.10	0.39	2639	3343	35	1.70	2.0	508	644	8.7	1.25	0.43	2395	3034	35	1.90	2.3	451	571	9.0	1.40	0.49	2095	2653	35	2.15	2.7	384	486	9.3	1.65	0.57	1800	2280	35	2.50	1.6	660	836	7.6	0.95	0.63	1632	2067	36	2.80	1.7	592	750	8.4	1.05	0.29	3599	4559	20	0.90	2.0	510	646	8.7	1.25	0.33	3161	4004	23	1.00	2.3	453	574	9.0	1.40	0.38	2748	3481	24	1.15	2.6	391	495	9.3	1.60	0.28	3693	4678	3.8	0.85	3.0	346	438	9.5	1.85	0.30	3402	4309	20	0.95	1.7	617	782	5.4	0.80	0.35	2923	3702	23	1.10	1.9	535	678	6.8	0.90	0.43	2384	3019	25	1.30	2.2	477	604	7.0	1.00	0.49	2106	2668	26	1.50	2.4	424	537	7.1	1.10	0.58	1772	2245	26	1.80	2.8	372	471	7.2	1.30	0.65	1592	2016	27	2.00	3.7	282	357	7.4	1.70	0.76	1368	1733	27	2.30	4.1	252	319	7.4	1.90	0.43	2420	3065	25	1.30	3.6	283	359	7.4	1.70	0.48	2149	2722	26	1.50	4.0	256	324	7.4	1.85	0.57	1825	2311	26	1.75	4.5	229	290	7.5	2.10	0.63	1641	2078	26	1.95	5.0	207	262	7.5	2.30	0.72	1439	1823	27	2.20	5.3	194	246	7.5	2.45	0.83	1250	1583	27	2.55	6.0	174	220	7.5	2.75	0.94	1102	1396	27	2.90	2.3	452	572	2.4	0.80	1.1	970	1228	27	3.30	2.6	403	510	4.9	0.80	0.45	2278	2885	15	0.80	3.0	344	436	5.3	0.90	0.67	1555	1969	18	1.05	3.2	322	408	5.3	1.00	0.47	2196	2781	10	0.80	3.8	272	344	5.5	1.15	0.50	2057	2606	15	0.80	2.6	396	502	3.6	0.80	0.61	1688	2138	17	0.95	3.1	339	429	5.2	0.95	0.68	1530	1938	18	1.05	3.5	294	372	5.4	1.10	0.75	1374	1740	18	1.20	3.8	275	348	5.4	1.15	0.75	1377	1744	19	1.20	4.4	238	301	5.5	1.35	0.86	1208	1530	19	1.35	5.1	201	255	5.7	1.55	1.0	1033	1308	19	1.60	5.7	180	228	5.7	1.75	1.1	906	1148	19	1.80	6.7	154	195	5.7	2.10	1.5	702	889	19	2.35	3.9	267	338	4.5	0.80	1.7	616	780	19	2.65	4.4	234	296	4.7	0.90	1.9	543	688	19	3.00	5.1	204	259	5.0	1.00	2.2	474	601	19	3.50	5.7	180	228	5.1	1.15						6.6	157	199	5.3	1.35						7.6	136	172	5.4	1.55						4.0	259	328	4.3	0.80						4.5	228	289	4.7	0.90						4.9	209	265	4.9	1.00						5.8	178	226	5.2	1.20						6.5	159	202	5.3	1.30						7.3	141	179	5.4	1.50																																																																																																																																																																																																																			
0.33	3093	3918	34	1.45	1.8	576	730	8.2	1.10	0.39	2639	3343	35	1.70	2.0	508	644	8.7	1.25	0.43	2395	3034	35	1.90	2.3	451	571	9.0	1.40	0.49	2095	2653	35	2.15	2.7	384	486	9.3	1.65	0.57	1800	2280	35	2.50	1.6	660	836	7.6	0.95	0.63	1632	2067	36	2.80	1.7	592	750	8.4	1.05	0.29	3599	4559	20	0.90	2.0	510	646	8.7	1.25	0.33	3161	4004	23	1.00	2.3	453	574	9.0	1.40	0.38	2748	3481	24	1.15	2.6	391	495	9.3	1.60	0.28	3693	4678	3.8	0.85	3.0	346	438	9.5	1.85	0.30	3402	4309	20	0.95	1.7	617	782	5.4	0.80	0.35	2923	3702	23	1.10	1.9	535	678	6.8	0.90	0.43	2384	3019	25	1.30	2.2	477	604	7.0	1.00	0.49	2106	2668	26	1.50	2.4	424	537	7.1	1.10	0.58	1772	2245	26	1.80	2.8	372	471	7.2	1.30	0.65	1592	2016	27	2.00	3.7	282	357	7.4	1.70	0.76	1368	1733	27	2.30	4.1	252	319	7.4	1.90	0.43	2420	3065	25	1.30	3.6	283	359	7.4	1.70	0.48	2149	2722	26	1.50	4.0	256	324	7.4	1.85	0.57	1825	2311	26	1.75	4.5	229	290	7.5	2.10	0.63	1641	2078	26	1.95	5.0	207	262	7.5	2.30	0.72	1439	1823	27	2.20	5.3	194	246	7.5	2.45	0.83	1250	1583	27	2.55	6.0	174	220	7.5	2.75	0.94	1102	1396	27	2.90	2.3	452	572	2.4	0.80	1.1	970	1228	27	3.30	2.6	403	510	4.9	0.80	0.45	2278	2885	15	0.80	3.0	344	436	5.3	0.90	0.67	1555	1969	18	1.05	3.2	322	408	5.3	1.00	0.47	2196	2781	10	0.80	3.8	272	344	5.5	1.15	0.50	2057	2606	15	0.80	2.6	396	502	3.6	0.80	0.61	1688	2138	17	0.95	3.1	339	429	5.2	0.95	0.68	1530	1938	18	1.05	3.5	294	372	5.4	1.10	0.75	1374	1740	18	1.20	3.8	275	348	5.4	1.15	0.75	1377	1744	19	1.20	4.4	238	301	5.5	1.35	0.86	1208	1530	19	1.35	5.1	201	255	5.7	1.55	1.0	1033	1308	19	1.60	5.7	180	228	5.7	1.75	1.1	906	1148	19	1.80	6.7	154	195	5.7	2.10	1.5	702	889	19	2.35	3.9	267	338	4.5	0.80	1.7	616	780	19	2.65	4.4	234	296	4.7	0.90	1.9	543	688	19	3.00	5.1	204	259	5.0	1.00	2.2	474	601	19	3.50	5.7	180	228	5.1	1.15						6.6	157	199	5.3	1.35						7.6	136	172	5.4	1.55						4.0	259	328	4.3	0.80						4.5	228	289	4.7	0.90						4.9	209	265	4.9	1.00						5.8	178	226	5.2	1.20						6.5	159	202	5.3	1.30						7.3	141	179	5.4	1.50																																																																																																																																																																																																																													
0.39	2639	3343	35	1.70	2.0	508	644	8.7	1.25	0.43	2395	3034	35	1.90	2.3	451	571	9.0	1.40	0.49	2095	2653	35	2.15	2.7	384	486	9.3	1.65	0.57	1800	2280	35	2.50	1.6	660	836	7.6	0.95	0.63	1632	2067	36	2.80	1.7	592	750	8.4	1.05	0.29	3599	4559	20	0.90	2.0	510	646	8.7	1.25	0.33	3161	4004	23	1.00	2.3	453	574	9.0	1.40	0.38	2748	3481	24	1.15	2.6	391	495	9.3	1.60	0.28	3693	4678	3.8	0.85	3.0	346	438	9.5	1.85	0.30	3402	4309	20	0.95	1.7	617	782	5.4	0.80	0.35	2923	3702	23	1.10	1.9	535	678	6.8	0.90	0.43	2384	3019	25	1.30	2.2	477	604	7.0	1.00	0.49	2106	2668	26	1.50	2.4	424	537	7.1	1.10	0.58	1772	2245	26	1.80	2.8	372	471	7.2	1.30	0.65	1592	2016	27	2.00	3.7	282	357	7.4	1.70	0.76	1368	1733	27	2.30	4.1	252	319	7.4	1.90	0.43	2420	3065	25	1.30	3.6	283	359	7.4	1.70	0.48	2149	2722	26	1.50	4.0	256	324	7.4	1.85	0.57	1825	2311	26	1.75	4.5	229	290	7.5	2.10	0.63	1641	2078	26	1.95	5.0	207	262	7.5	2.30	0.72	1439	1823	27	2.20	5.3	194	246	7.5	2.45	0.83	1250	1583	27	2.55	6.0	174	220	7.5	2.75	0.94	1102	1396	27	2.90	2.3	452	572	2.4	0.80	1.1	970	1228	27	3.30	2.6	403	510	4.9	0.80	0.45	2278	2885	15	0.80	3.0	344	436	5.3	0.90	0.67	1555	1969	18	1.05	3.2	322	408	5.3	1.00	0.47	2196	2781	10	0.80	3.8	272	344	5.5	1.15	0.50	2057	2606	15	0.80	2.6	396	502	3.6	0.80	0.61	1688	2138	17	0.95	3.1	339	429	5.2	0.95	0.68	1530	1938	18	1.05	3.5	294	372	5.4	1.10	0.75	1374	1740	18	1.20	3.8	275	348	5.4	1.15	0.75	1377	1744	19	1.20	4.4	238	301	5.5	1.35	0.86	1208	1530	19	1.35	5.1	201	255	5.7	1.55	1.0	1033	1308	19	1.60	5.7	180	228	5.7	1.75	1.1	906	1148	19	1.80	6.7	154	195	5.7	2.10	1.5	702	889	19	2.35	3.9	267	338	4.5	0.80	1.7	616	780	19	2.65	4.4	234	296	4.7	0.90	1.9	543	688	19	3.00	5.1	204	259	5.0	1.00	2.2	474	601	19	3.50	5.7	180	228	5.1	1.15						6.6	157	199	5.3	1.35						7.6	136	172	5.4	1.55						4.0	259	328	4.3	0.80						4.5	228	289	4.7	0.90						4.9	209	265	4.9	1.00						5.8	178	226	5.2	1.20						6.5	159	202	5.3	1.30						7.3	141	179	5.4	1.50																																																																																																																																																																																																																																							
0.43	2395	3034	35	1.90	2.3	451	571	9.0	1.40	0.49	2095	2653	35	2.15	2.7	384	486	9.3	1.65	0.57	1800	2280	35	2.50	1.6	660	836	7.6	0.95	0.63	1632	2067	36	2.80	1.7	592	750	8.4	1.05	0.29	3599	4559	20	0.90	2.0	510	646	8.7	1.25	0.33	3161	4004	23	1.00	2.3	453	574	9.0	1.40	0.38	2748	3481	24	1.15	2.6	391	495	9.3	1.60	0.28	3693	4678	3.8	0.85	3.0	346	438	9.5	1.85	0.30	3402	4309	20	0.95	1.7	617	782	5.4	0.80	0.35	2923	3702	23	1.10	1.9	535	678	6.8	0.90	0.43	2384	3019	25	1.30	2.2	477	604	7.0	1.00	0.49	2106	2668	26	1.50	2.4	424	537	7.1	1.10	0.58	1772	2245	26	1.80	2.8	372	471	7.2	1.30	0.65	1592	2016	27	2.00	3.7	282	357	7.4	1.70	0.76	1368	1733	27	2.30	4.1	252	319	7.4	1.90	0.43	2420	3065	25	1.30	3.6	283	359	7.4	1.70	0.48	2149	2722	26	1.50	4.0	256	324	7.4	1.85	0.57	1825	2311	26	1.75	4.5	229	290	7.5	2.10	0.63	1641	2078	26	1.95	5.0	207	262	7.5	2.30	0.72	1439	1823	27	2.20	5.3	194	246	7.5	2.45	0.83	1250	1583	27	2.55	6.0	174	220	7.5	2.75	0.94	1102	1396	27	2.90	2.3	452	572	2.4	0.80	1.1	970	1228	27	3.30	2.6	403	510	4.9	0.80	0.45	2278	2885	15	0.80	3.0	344	436	5.3	0.90	0.67	1555	1969	18	1.05	3.2	322	408	5.3	1.00	0.47	2196	2781	10	0.80	3.8	272	344	5.5	1.15	0.50	2057	2606	15	0.80	2.6	396	502	3.6	0.80	0.61	1688	2138	17	0.95	3.1	339	429	5.2	0.95	0.68	1530	1938	18	1.05	3.5	294	372	5.4	1.10	0.75	1374	1740	18	1.20	3.8	275	348	5.4	1.15	0.75	1377	1744	19	1.20	4.4	238	301	5.5	1.35	0.86	1208	1530	19	1.35	5.1	201	255	5.7	1.55	1.0	1033	1308	19	1.60	5.7	180	228	5.7	1.75	1.1	906	1148	19	1.80	6.7	154	195	5.7	2.10	1.5	702	889	19	2.35	3.9	267	338	4.5	0.80	1.7	616	780	19	2.65	4.4	234	296	4.7	0.90	1.9	543	688	19	3.00	5.1	204	259	5.0	1.00	2.2	474	601	19	3.50	5.7	180	228	5.1	1.15						6.6	157	199	5.3	1.35						7.6	136	172	5.4	1.55						4.0	259	328	4.3	0.80						4.5	228	289	4.7	0.90						4.9	209	265	4.9	1.00						5.8	178	226	5.2	1.20						6.5	159	202	5.3	1.30						7.3	141	179	5.4	1.50																																																																																																																																																																																																																																																	
0.49	2095	2653	35	2.15	2.7	384	486	9.3	1.65	0.57	1800	2280	35	2.50	1.6	660	836	7.6	0.95	0.63	1632	2067	36	2.80	1.7	592	750	8.4	1.05	0.29	3599	4559	20	0.90	2.0	510	646	8.7	1.25	0.33	3161	4004	23	1.00	2.3	453	574	9.0	1.40	0.38	2748	3481	24	1.15	2.6	391	495	9.3	1.60	0.28	3693	4678	3.8	0.85	3.0	346	438	9.5	1.85	0.30	3402	4309	20	0.95	1.7	617	782	5.4	0.80	0.35	2923	3702	23	1.10	1.9	535	678	6.8	0.90	0.43	2384	3019	25	1.30	2.2	477	604	7.0	1.00	0.49	2106	2668	26	1.50	2.4	424	537	7.1	1.10	0.58	1772	2245	26	1.80	2.8	372	471	7.2	1.30	0.65	1592	2016	27	2.00	3.7	282	357	7.4	1.70	0.76	1368	1733	27	2.30	4.1	252	319	7.4	1.90	0.43	2420	3065	25	1.30	3.6	283	359	7.4	1.70	0.48	2149	2722	26	1.50	4.0	256	324	7.4	1.85	0.57	1825	2311	26	1.75	4.5	229	290	7.5	2.10	0.63	1641	2078	26	1.95	5.0	207	262	7.5	2.30	0.72	1439	1823	27	2.20	5.3	194	246	7.5	2.45	0.83	1250	1583	27	2.55	6.0	174	220	7.5	2.75	0.94	1102	1396	27	2.90	2.3	452	572	2.4	0.80	1.1	970	1228	27	3.30	2.6	403	510	4.9	0.80	0.45	2278	2885	15	0.80	3.0	344	436	5.3	0.90	0.67	1555	1969	18	1.05	3.2	322	408	5.3	1.00	0.47	2196	2781	10	0.80	3.8	272	344	5.5	1.15	0.50	2057	2606	15	0.80	2.6	396	502	3.6	0.80	0.61	1688	2138	17	0.95	3.1	339	429	5.2	0.95	0.68	1530	1938	18	1.05	3.5	294	372	5.4	1.10	0.75	1374	1740	18	1.20	3.8	275	348	5.4	1.15	0.75	1377	1744	19	1.20	4.4	238	301	5.5	1.35	0.86	1208	1530	19	1.35	5.1	201	255	5.7	1.55	1.0	1033	1308	19	1.60	5.7	180	228	5.7	1.75	1.1	906	1148	19	1.80	6.7	154	195	5.7	2.10	1.5	702	889	19	2.35	3.9	267	338	4.5	0.80	1.7	616	780	19	2.65	4.4	234	296	4.7	0.90	1.9	543	688	19	3.00	5.1	204	259	5.0	1.00	2.2	474	601	19	3.50	5.7	180	228	5.1	1.15						6.6	157	199	5.3	1.35						7.6	136	172	5.4	1.55						4.0	259	328	4.3	0.80						4.5	228	289	4.7	0.90						4.9	209	265	4.9	1.00						5.8	178	226	5.2	1.20						6.5	159	202	5.3	1.30						7.3	141	179	5.4	1.50																																																																																																																																																																																																																																																											
0.57	1800	2280	35	2.50	1.6	660	836	7.6	0.95	0.63	1632	2067	36	2.80	1.7	592	750	8.4	1.05	0.29	3599	4559	20	0.90	2.0	510	646	8.7	1.25	0.33	3161	4004	23	1.00	2.3	453	574	9.0	1.40	0.38	2748	3481	24	1.15	2.6	391	495	9.3	1.60	0.28	3693	4678	3.8	0.85	3.0	346	438	9.5	1.85	0.30	3402	4309	20	0.95	1.7	617	782	5.4	0.80	0.35	2923	3702	23	1.10	1.9	535	678	6.8	0.90	0.43	2384	3019	25	1.30	2.2	477	604	7.0	1.00	0.49	2106	2668	26	1.50	2.4	424	537	7.1	1.10	0.58	1772	2245	26	1.80	2.8	372	471	7.2	1.30	0.65	1592	2016	27	2.00	3.7	282	357	7.4	1.70	0.76	1368	1733	27	2.30	4.1	252	319	7.4	1.90	0.43	2420	3065	25	1.30	3.6	283	359	7.4	1.70	0.48	2149	2722	26	1.50	4.0	256	324	7.4	1.85	0.57	1825	2311	26	1.75	4.5	229	290	7.5	2.10	0.63	1641	2078	26	1.95	5.0	207	262	7.5	2.30	0.72	1439	1823	27	2.20	5.3	194	246	7.5	2.45	0.83	1250	1583	27	2.55	6.0	174	220	7.5	2.75	0.94	1102	1396	27	2.90	2.3	452	572	2.4	0.80	1.1	970	1228	27	3.30	2.6	403	510	4.9	0.80	0.45	2278	2885	15	0.80	3.0	344	436	5.3	0.90	0.67	1555	1969	18	1.05	3.2	322	408	5.3	1.00	0.47	2196	2781	10	0.80	3.8	272	344	5.5	1.15	0.50	2057	2606	15	0.80	2.6	396	502	3.6	0.80	0.61	1688	2138	17	0.95	3.1	339	429	5.2	0.95	0.68	1530	1938	18	1.05	3.5	294	372	5.4	1.10	0.75	1374	1740	18	1.20	3.8	275	348	5.4	1.15	0.75	1377	1744	19	1.20	4.4	238	301	5.5	1.35	0.86	1208	1530	19	1.35	5.1	201	255	5.7	1.55	1.0	1033	1308	19	1.60	5.7	180	228	5.7	1.75	1.1	906	1148	19	1.80	6.7	154	195	5.7	2.10	1.5	702	889	19	2.35	3.9	267	338	4.5	0.80	1.7	616	780	19	2.65	4.4	234	296	4.7	0.90	1.9	543	688	19	3.00	5.1	204	259	5.0	1.00	2.2	474	601	19	3.50	5.7	180	228	5.1	1.15						6.6	157	199	5.3	1.35						7.6	136	172	5.4	1.55						4.0	259	328	4.3	0.80						4.5	228	289	4.7	0.90						4.9	209	265	4.9	1.00						5.8	178	226	5.2	1.20						6.5	159	202	5.3	1.30						7.3	141	179	5.4	1.50																																																																																																																																																																																																																																																																					
0.63	1632	2067	36	2.80	1.7	592	750	8.4	1.05	0.29	3599	4559	20	0.90	2.0	510	646	8.7	1.25	0.33	3161	4004	23	1.00	2.3	453	574	9.0	1.40	0.38	2748	3481	24	1.15	2.6	391	495	9.3	1.60	0.28	3693	4678	3.8	0.85	3.0	346	438	9.5	1.85	0.30	3402	4309	20	0.95	1.7	617	782	5.4	0.80	0.35	2923	3702	23	1.10	1.9	535	678	6.8	0.90	0.43	2384	3019	25	1.30	2.2	477	604	7.0	1.00	0.49	2106	2668	26	1.50	2.4	424	537	7.1	1.10	0.58	1772	2245	26	1.80	2.8	372	471	7.2	1.30	0.65	1592	2016	27	2.00	3.7	282	357	7.4	1.70	0.76	1368	1733	27	2.30	4.1	252	319	7.4	1.90	0.43	2420	3065	25	1.30	3.6	283	359	7.4	1.70	0.48	2149	2722	26	1.50	4.0	256	324	7.4	1.85	0.57	1825	2311	26	1.75	4.5	229	290	7.5	2.10	0.63	1641	2078	26	1.95	5.0	207	262	7.5	2.30	0.72	1439	1823	27	2.20	5.3	194	246	7.5	2.45	0.83	1250	1583	27	2.55	6.0	174	220	7.5	2.75	0.94	1102	1396	27	2.90	2.3	452	572	2.4	0.80	1.1	970	1228	27	3.30	2.6	403	510	4.9	0.80	0.45	2278	2885	15	0.80	3.0	344	436	5.3	0.90	0.67	1555	1969	18	1.05	3.2	322	408	5.3	1.00	0.47	2196	2781	10	0.80	3.8	272	344	5.5	1.15	0.50	2057	2606	15	0.80	2.6	396	502	3.6	0.80	0.61	1688	2138	17	0.95	3.1	339	429	5.2	0.95	0.68	1530	1938	18	1.05	3.5	294	372	5.4	1.10	0.75	1374	1740	18	1.20	3.8	275	348	5.4	1.15	0.75	1377	1744	19	1.20	4.4	238	301	5.5	1.35	0.86	1208	1530	19	1.35	5.1	201	255	5.7	1.55	1.0	1033	1308	19	1.60	5.7	180	228	5.7	1.75	1.1	906	1148	19	1.80	6.7	154	195	5.7	2.10	1.5	702	889	19	2.35	3.9	267	338	4.5	0.80	1.7	616	780	19	2.65	4.4	234	296	4.7	0.90	1.9	543	688	19	3.00	5.1	204	259	5.0	1.00	2.2	474	601	19	3.50	5.7	180	228	5.1	1.15						6.6	157	199	5.3	1.35						7.6	136	172	5.4	1.55						4.0	259	328	4.3	0.80						4.5	228	289	4.7	0.90						4.9	209	265	4.9	1.00						5.8	178	226	5.2	1.20						6.5	159	202	5.3	1.30						7.3	141	179	5.4	1.50																																																																																																																																																																																																																																																																															
0.29	3599	4559	20	0.90	2.0	510	646	8.7	1.25	0.33	3161	4004	23	1.00	2.3	453	574	9.0	1.40	0.38	2748	3481	24	1.15	2.6	391	495	9.3	1.60	0.28	3693	4678	3.8	0.85	3.0	346	438	9.5	1.85	0.30	3402	4309	20	0.95	1.7	617	782	5.4	0.80	0.35	2923	3702	23	1.10	1.9	535	678	6.8	0.90	0.43	2384	3019	25	1.30	2.2	477	604	7.0	1.00	0.49	2106	2668	26	1.50	2.4	424	537	7.1	1.10	0.58	1772	2245	26	1.80	2.8	372	471	7.2	1.30	0.65	1592	2016	27	2.00	3.7	282	357	7.4	1.70	0.76	1368	1733	27	2.30	4.1	252	319	7.4	1.90	0.43	2420	3065	25	1.30	3.6	283	359	7.4	1.70	0.48	2149	2722	26	1.50	4.0	256	324	7.4	1.85	0.57	1825	2311	26	1.75	4.5	229	290	7.5	2.10	0.63	1641	2078	26	1.95	5.0	207	262	7.5	2.30	0.72	1439	1823	27	2.20	5.3	194	246	7.5	2.45	0.83	1250	1583	27	2.55	6.0	174	220	7.5	2.75	0.94	1102	1396	27	2.90	2.3	452	572	2.4	0.80	1.1	970	1228	27	3.30	2.6	403	510	4.9	0.80	0.45	2278	2885	15	0.80	3.0	344	436	5.3	0.90	0.67	1555	1969	18	1.05	3.2	322	408	5.3	1.00	0.47	2196	2781	10	0.80	3.8	272	344	5.5	1.15	0.50	2057	2606	15	0.80	2.6	396	502	3.6	0.80	0.61	1688	2138	17	0.95	3.1	339	429	5.2	0.95	0.68	1530	1938	18	1.05	3.5	294	372	5.4	1.10	0.75	1374	1740	18	1.20	3.8	275	348	5.4	1.15	0.75	1377	1744	19	1.20	4.4	238	301	5.5	1.35	0.86	1208	1530	19	1.35	5.1	201	255	5.7	1.55	1.0	1033	1308	19	1.60	5.7	180	228	5.7	1.75	1.1	906	1148	19	1.80	6.7	154	195	5.7	2.10	1.5	702	889	19	2.35	3.9	267	338	4.5	0.80	1.7	616	780	19	2.65	4.4	234	296	4.7	0.90	1.9	543	688	19	3.00	5.1	204	259	5.0	1.00	2.2	474	601	19	3.50	5.7	180	228	5.1	1.15						6.6	157	199	5.3	1.35						7.6	136	172	5.4	1.55						4.0	259	328	4.3	0.80						4.5	228	289	4.7	0.90						4.9	209	265	4.9	1.00						5.8	178	226	5.2	1.20						6.5	159	202	5.3	1.30						7.3	141	179	5.4	1.50																																																																																																																																																																																																																																																																																									
0.33	3161	4004	23	1.00	2.3	453	574	9.0	1.40	0.38	2748	3481	24	1.15	2.6	391	495	9.3	1.60	0.28	3693	4678	3.8	0.85	3.0	346	438	9.5	1.85	0.30	3402	4309	20	0.95	1.7	617	782	5.4	0.80	0.35	2923	3702	23	1.10	1.9	535	678	6.8	0.90	0.43	2384	3019	25	1.30	2.2	477	604	7.0	1.00	0.49	2106	2668	26	1.50	2.4	424	537	7.1	1.10	0.58	1772	2245	26	1.80	2.8	372	471	7.2	1.30	0.65	1592	2016	27	2.00	3.7	282	357	7.4	1.70	0.76	1368	1733	27	2.30	4.1	252	319	7.4	1.90	0.43	2420	3065	25	1.30	3.6	283	359	7.4	1.70	0.48	2149	2722	26	1.50	4.0	256	324	7.4	1.85	0.57	1825	2311	26	1.75	4.5	229	290	7.5	2.10	0.63	1641	2078	26	1.95	5.0	207	262	7.5	2.30	0.72	1439	1823	27	2.20	5.3	194	246	7.5	2.45	0.83	1250	1583	27	2.55	6.0	174	220	7.5	2.75	0.94	1102	1396	27	2.90	2.3	452	572	2.4	0.80	1.1	970	1228	27	3.30	2.6	403	510	4.9	0.80	0.45	2278	2885	15	0.80	3.0	344	436	5.3	0.90	0.67	1555	1969	18	1.05	3.2	322	408	5.3	1.00	0.47	2196	2781	10	0.80	3.8	272	344	5.5	1.15	0.50	2057	2606	15	0.80	2.6	396	502	3.6	0.80	0.61	1688	2138	17	0.95	3.1	339	429	5.2	0.95	0.68	1530	1938	18	1.05	3.5	294	372	5.4	1.10	0.75	1374	1740	18	1.20	3.8	275	348	5.4	1.15	0.75	1377	1744	19	1.20	4.4	238	301	5.5	1.35	0.86	1208	1530	19	1.35	5.1	201	255	5.7	1.55	1.0	1033	1308	19	1.60	5.7	180	228	5.7	1.75	1.1	906	1148	19	1.80	6.7	154	195	5.7	2.10	1.5	702	889	19	2.35	3.9	267	338	4.5	0.80	1.7	616	780	19	2.65	4.4	234	296	4.7	0.90	1.9	543	688	19	3.00	5.1	204	259	5.0	1.00	2.2	474	601	19	3.50	5.7	180	228	5.1	1.15						6.6	157	199	5.3	1.35						7.6	136	172	5.4	1.55						4.0	259	328	4.3	0.80						4.5	228	289	4.7	0.90						4.9	209	265	4.9	1.00						5.8	178	226	5.2	1.20						6.5	159	202	5.3	1.30						7.3	141	179	5.4	1.50																																																																																																																																																																																																																																																																																																			
0.38	2748	3481	24	1.15	2.6	391	495	9.3	1.60	0.28	3693	4678	3.8	0.85	3.0	346	438	9.5	1.85	0.30	3402	4309	20	0.95	1.7	617	782	5.4	0.80	0.35	2923	3702	23	1.10	1.9	535	678	6.8	0.90	0.43	2384	3019	25	1.30	2.2	477	604	7.0	1.00	0.49	2106	2668	26	1.50	2.4	424	537	7.1	1.10	0.58	1772	2245	26	1.80	2.8	372	471	7.2	1.30	0.65	1592	2016	27	2.00	3.7	282	357	7.4	1.70	0.76	1368	1733	27	2.30	4.1	252	319	7.4	1.90	0.43	2420	3065	25	1.30	3.6	283	359	7.4	1.70	0.48	2149	2722	26	1.50	4.0	256	324	7.4	1.85	0.57	1825	2311	26	1.75	4.5	229	290	7.5	2.10	0.63	1641	2078	26	1.95	5.0	207	262	7.5	2.30	0.72	1439	1823	27	2.20	5.3	194	246	7.5	2.45	0.83	1250	1583	27	2.55	6.0	174	220	7.5	2.75	0.94	1102	1396	27	2.90	2.3	452	572	2.4	0.80	1.1	970	1228	27	3.30	2.6	403	510	4.9	0.80	0.45	2278	2885	15	0.80	3.0	344	436	5.3	0.90	0.67	1555	1969	18	1.05	3.2	322	408	5.3	1.00	0.47	2196	2781	10	0.80	3.8	272	344	5.5	1.15	0.50	2057	2606	15	0.80	2.6	396	502	3.6	0.80	0.61	1688	2138	17	0.95	3.1	339	429	5.2	0.95	0.68	1530	1938	18	1.05	3.5	294	372	5.4	1.10	0.75	1374	1740	18	1.20	3.8	275	348	5.4	1.15	0.75	1377	1744	19	1.20	4.4	238	301	5.5	1.35	0.86	1208	1530	19	1.35	5.1	201	255	5.7	1.55	1.0	1033	1308	19	1.60	5.7	180	228	5.7	1.75	1.1	906	1148	19	1.80	6.7	154	195	5.7	2.10	1.5	702	889	19	2.35	3.9	267	338	4.5	0.80	1.7	616	780	19	2.65	4.4	234	296	4.7	0.90	1.9	543	688	19	3.00	5.1	204	259	5.0	1.00	2.2	474	601	19	3.50	5.7	180	228	5.1	1.15						6.6	157	199	5.3	1.35						7.6	136	172	5.4	1.55						4.0	259	328	4.3	0.80						4.5	228	289	4.7	0.90						4.9	209	265	4.9	1.00						5.8	178	226	5.2	1.20						6.5	159	202	5.3	1.30						7.3	141	179	5.4	1.50																																																																																																																																																																																																																																																																																																													
0.28	3693	4678	3.8	0.85	3.0	346	438	9.5	1.85	0.30	3402	4309	20	0.95	1.7	617	782	5.4	0.80	0.35	2923	3702	23	1.10	1.9	535	678	6.8	0.90	0.43	2384	3019	25	1.30	2.2	477	604	7.0	1.00	0.49	2106	2668	26	1.50	2.4	424	537	7.1	1.10	0.58	1772	2245	26	1.80	2.8	372	471	7.2	1.30	0.65	1592	2016	27	2.00	3.7	282	357	7.4	1.70	0.76	1368	1733	27	2.30	4.1	252	319	7.4	1.90	0.43	2420	3065	25	1.30	3.6	283	359	7.4	1.70	0.48	2149	2722	26	1.50	4.0	256	324	7.4	1.85	0.57	1825	2311	26	1.75	4.5	229	290	7.5	2.10	0.63	1641	2078	26	1.95	5.0	207	262	7.5	2.30	0.72	1439	1823	27	2.20	5.3	194	246	7.5	2.45	0.83	1250	1583	27	2.55	6.0	174	220	7.5	2.75	0.94	1102	1396	27	2.90	2.3	452	572	2.4	0.80	1.1	970	1228	27	3.30	2.6	403	510	4.9	0.80	0.45	2278	2885	15	0.80	3.0	344	436	5.3	0.90	0.67	1555	1969	18	1.05	3.2	322	408	5.3	1.00	0.47	2196	2781	10	0.80	3.8	272	344	5.5	1.15	0.50	2057	2606	15	0.80	2.6	396	502	3.6	0.80	0.61	1688	2138	17	0.95	3.1	339	429	5.2	0.95	0.68	1530	1938	18	1.05	3.5	294	372	5.4	1.10	0.75	1374	1740	18	1.20	3.8	275	348	5.4	1.15	0.75	1377	1744	19	1.20	4.4	238	301	5.5	1.35	0.86	1208	1530	19	1.35	5.1	201	255	5.7	1.55	1.0	1033	1308	19	1.60	5.7	180	228	5.7	1.75	1.1	906	1148	19	1.80	6.7	154	195	5.7	2.10	1.5	702	889	19	2.35	3.9	267	338	4.5	0.80	1.7	616	780	19	2.65	4.4	234	296	4.7	0.90	1.9	543	688	19	3.00	5.1	204	259	5.0	1.00	2.2	474	601	19	3.50	5.7	180	228	5.1	1.15						6.6	157	199	5.3	1.35						7.6	136	172	5.4	1.55						4.0	259	328	4.3	0.80						4.5	228	289	4.7	0.90						4.9	209	265	4.9	1.00						5.8	178	226	5.2	1.20						6.5	159	202	5.3	1.30						7.3	141	179	5.4	1.50																																																																																																																																																																																																																																																																																																																							
0.30	3402	4309	20	0.95	1.7	617	782	5.4	0.80	0.35	2923	3702	23	1.10	1.9	535	678	6.8	0.90	0.43	2384	3019	25	1.30	2.2	477	604	7.0	1.00	0.49	2106	2668	26	1.50	2.4	424	537	7.1	1.10	0.58	1772	2245	26	1.80	2.8	372	471	7.2	1.30	0.65	1592	2016	27	2.00	3.7	282	357	7.4	1.70	0.76	1368	1733	27	2.30	4.1	252	319	7.4	1.90	0.43	2420	3065	25	1.30	3.6	283	359	7.4	1.70	0.48	2149	2722	26	1.50	4.0	256	324	7.4	1.85	0.57	1825	2311	26	1.75	4.5	229	290	7.5	2.10	0.63	1641	2078	26	1.95	5.0	207	262	7.5	2.30	0.72	1439	1823	27	2.20	5.3	194	246	7.5	2.45	0.83	1250	1583	27	2.55	6.0	174	220	7.5	2.75	0.94	1102	1396	27	2.90	2.3	452	572	2.4	0.80	1.1	970	1228	27	3.30	2.6	403	510	4.9	0.80	0.45	2278	2885	15	0.80	3.0	344	436	5.3	0.90	0.67	1555	1969	18	1.05	3.2	322	408	5.3	1.00	0.47	2196	2781	10	0.80	3.8	272	344	5.5	1.15	0.50	2057	2606	15	0.80	2.6	396	502	3.6	0.80	0.61	1688	2138	17	0.95	3.1	339	429	5.2	0.95	0.68	1530	1938	18	1.05	3.5	294	372	5.4	1.10	0.75	1374	1740	18	1.20	3.8	275	348	5.4	1.15	0.75	1377	1744	19	1.20	4.4	238	301	5.5	1.35	0.86	1208	1530	19	1.35	5.1	201	255	5.7	1.55	1.0	1033	1308	19	1.60	5.7	180	228	5.7	1.75	1.1	906	1148	19	1.80	6.7	154	195	5.7	2.10	1.5	702	889	19	2.35	3.9	267	338	4.5	0.80	1.7	616	780	19	2.65	4.4	234	296	4.7	0.90	1.9	543	688	19	3.00	5.1	204	259	5.0	1.00	2.2	474	601	19	3.50	5.7	180	228	5.1	1.15						6.6	157	199	5.3	1.35						7.6	136	172	5.4	1.55						4.0	259	328	4.3	0.80						4.5	228	289	4.7	0.90						4.9	209	265	4.9	1.00						5.8	178	226	5.2	1.20						6.5	159	202	5.3	1.30						7.3	141	179	5.4	1.50																																																																																																																																																																																																																																																																																																																																	
0.35	2923	3702	23	1.10	1.9	535	678	6.8	0.90	0.43	2384	3019	25	1.30	2.2	477	604	7.0	1.00	0.49	2106	2668	26	1.50	2.4	424	537	7.1	1.10	0.58	1772	2245	26	1.80	2.8	372	471	7.2	1.30	0.65	1592	2016	27	2.00	3.7	282	357	7.4	1.70	0.76	1368	1733	27	2.30	4.1	252	319	7.4	1.90	0.43	2420	3065	25	1.30	3.6	283	359	7.4	1.70	0.48	2149	2722	26	1.50	4.0	256	324	7.4	1.85	0.57	1825	2311	26	1.75	4.5	229	290	7.5	2.10	0.63	1641	2078	26	1.95	5.0	207	262	7.5	2.30	0.72	1439	1823	27	2.20	5.3	194	246	7.5	2.45	0.83	1250	1583	27	2.55	6.0	174	220	7.5	2.75	0.94	1102	1396	27	2.90	2.3	452	572	2.4	0.80	1.1	970	1228	27	3.30	2.6	403	510	4.9	0.80	0.45	2278	2885	15	0.80	3.0	344	436	5.3	0.90	0.67	1555	1969	18	1.05	3.2	322	408	5.3	1.00	0.47	2196	2781	10	0.80	3.8	272	344	5.5	1.15	0.50	2057	2606	15	0.80	2.6	396	502	3.6	0.80	0.61	1688	2138	17	0.95	3.1	339	429	5.2	0.95	0.68	1530	1938	18	1.05	3.5	294	372	5.4	1.10	0.75	1374	1740	18	1.20	3.8	275	348	5.4	1.15	0.75	1377	1744	19	1.20	4.4	238	301	5.5	1.35	0.86	1208	1530	19	1.35	5.1	201	255	5.7	1.55	1.0	1033	1308	19	1.60	5.7	180	228	5.7	1.75	1.1	906	1148	19	1.80	6.7	154	195	5.7	2.10	1.5	702	889	19	2.35	3.9	267	338	4.5	0.80	1.7	616	780	19	2.65	4.4	234	296	4.7	0.90	1.9	543	688	19	3.00	5.1	204	259	5.0	1.00	2.2	474	601	19	3.50	5.7	180	228	5.1	1.15						6.6	157	199	5.3	1.35						7.6	136	172	5.4	1.55						4.0	259	328	4.3	0.80						4.5	228	289	4.7	0.90						4.9	209	265	4.9	1.00						5.8	178	226	5.2	1.20						6.5	159	202	5.3	1.30						7.3	141	179	5.4	1.50																																																																																																																																																																																																																																																																																																																																											
0.43	2384	3019	25	1.30	2.2	477	604	7.0	1.00	0.49	2106	2668	26	1.50	2.4	424	537	7.1	1.10	0.58	1772	2245	26	1.80	2.8	372	471	7.2	1.30	0.65	1592	2016	27	2.00	3.7	282	357	7.4	1.70	0.76	1368	1733	27	2.30	4.1	252	319	7.4	1.90	0.43	2420	3065	25	1.30	3.6	283	359	7.4	1.70	0.48	2149	2722	26	1.50	4.0	256	324	7.4	1.85	0.57	1825	2311	26	1.75	4.5	229	290	7.5	2.10	0.63	1641	2078	26	1.95	5.0	207	262	7.5	2.30	0.72	1439	1823	27	2.20	5.3	194	246	7.5	2.45	0.83	1250	1583	27	2.55	6.0	174	220	7.5	2.75	0.94	1102	1396	27	2.90	2.3	452	572	2.4	0.80	1.1	970	1228	27	3.30	2.6	403	510	4.9	0.80	0.45	2278	2885	15	0.80	3.0	344	436	5.3	0.90	0.67	1555	1969	18	1.05	3.2	322	408	5.3	1.00	0.47	2196	2781	10	0.80	3.8	272	344	5.5	1.15	0.50	2057	2606	15	0.80	2.6	396	502	3.6	0.80	0.61	1688	2138	17	0.95	3.1	339	429	5.2	0.95	0.68	1530	1938	18	1.05	3.5	294	372	5.4	1.10	0.75	1374	1740	18	1.20	3.8	275	348	5.4	1.15	0.75	1377	1744	19	1.20	4.4	238	301	5.5	1.35	0.86	1208	1530	19	1.35	5.1	201	255	5.7	1.55	1.0	1033	1308	19	1.60	5.7	180	228	5.7	1.75	1.1	906	1148	19	1.80	6.7	154	195	5.7	2.10	1.5	702	889	19	2.35	3.9	267	338	4.5	0.80	1.7	616	780	19	2.65	4.4	234	296	4.7	0.90	1.9	543	688	19	3.00	5.1	204	259	5.0	1.00	2.2	474	601	19	3.50	5.7	180	228	5.1	1.15						6.6	157	199	5.3	1.35						7.6	136	172	5.4	1.55						4.0	259	328	4.3	0.80						4.5	228	289	4.7	0.90						4.9	209	265	4.9	1.00						5.8	178	226	5.2	1.20						6.5	159	202	5.3	1.30						7.3	141	179	5.4	1.50																																																																																																																																																																																																																																																																																																																																																					
0.49	2106	2668	26	1.50	2.4	424	537	7.1	1.10	0.58	1772	2245	26	1.80	2.8	372	471	7.2	1.30	0.65	1592	2016	27	2.00	3.7	282	357	7.4	1.70	0.76	1368	1733	27	2.30	4.1	252	319	7.4	1.90	0.43	2420	3065	25	1.30	3.6	283	359	7.4	1.70	0.48	2149	2722	26	1.50	4.0	256	324	7.4	1.85	0.57	1825	2311	26	1.75	4.5	229	290	7.5	2.10	0.63	1641	2078	26	1.95	5.0	207	262	7.5	2.30	0.72	1439	1823	27	2.20	5.3	194	246	7.5	2.45	0.83	1250	1583	27	2.55	6.0	174	220	7.5	2.75	0.94	1102	1396	27	2.90	2.3	452	572	2.4	0.80	1.1	970	1228	27	3.30	2.6	403	510	4.9	0.80	0.45	2278	2885	15	0.80	3.0	344	436	5.3	0.90	0.67	1555	1969	18	1.05	3.2	322	408	5.3	1.00	0.47	2196	2781	10	0.80	3.8	272	344	5.5	1.15	0.50	2057	2606	15	0.80	2.6	396	502	3.6	0.80	0.61	1688	2138	17	0.95	3.1	339	429	5.2	0.95	0.68	1530	1938	18	1.05	3.5	294	372	5.4	1.10	0.75	1374	1740	18	1.20	3.8	275	348	5.4	1.15	0.75	1377	1744	19	1.20	4.4	238	301	5.5	1.35	0.86	1208	1530	19	1.35	5.1	201	255	5.7	1.55	1.0	1033	1308	19	1.60	5.7	180	228	5.7	1.75	1.1	906	1148	19	1.80	6.7	154	195	5.7	2.10	1.5	702	889	19	2.35	3.9	267	338	4.5	0.80	1.7	616	780	19	2.65	4.4	234	296	4.7	0.90	1.9	543	688	19	3.00	5.1	204	259	5.0	1.00	2.2	474	601	19	3.50	5.7	180	228	5.1	1.15						6.6	157	199	5.3	1.35						7.6	136	172	5.4	1.55						4.0	259	328	4.3	0.80						4.5	228	289	4.7	0.90						4.9	209	265	4.9	1.00						5.8	178	226	5.2	1.20						6.5	159	202	5.3	1.30						7.3	141	179	5.4	1.50																																																																																																																																																																																																																																																																																																																																																															
0.58	1772	2245	26	1.80	2.8	372	471	7.2	1.30	0.65	1592	2016	27	2.00	3.7	282	357	7.4	1.70	0.76	1368	1733	27	2.30	4.1	252	319	7.4	1.90	0.43	2420	3065	25	1.30	3.6	283	359	7.4	1.70	0.48	2149	2722	26	1.50	4.0	256	324	7.4	1.85	0.57	1825	2311	26	1.75	4.5	229	290	7.5	2.10	0.63	1641	2078	26	1.95	5.0	207	262	7.5	2.30	0.72	1439	1823	27	2.20	5.3	194	246	7.5	2.45	0.83	1250	1583	27	2.55	6.0	174	220	7.5	2.75	0.94	1102	1396	27	2.90	2.3	452	572	2.4	0.80	1.1	970	1228	27	3.30	2.6	403	510	4.9	0.80	0.45	2278	2885	15	0.80	3.0	344	436	5.3	0.90	0.67	1555	1969	18	1.05	3.2	322	408	5.3	1.00	0.47	2196	2781	10	0.80	3.8	272	344	5.5	1.15	0.50	2057	2606	15	0.80	2.6	396	502	3.6	0.80	0.61	1688	2138	17	0.95	3.1	339	429	5.2	0.95	0.68	1530	1938	18	1.05	3.5	294	372	5.4	1.10	0.75	1374	1740	18	1.20	3.8	275	348	5.4	1.15	0.75	1377	1744	19	1.20	4.4	238	301	5.5	1.35	0.86	1208	1530	19	1.35	5.1	201	255	5.7	1.55	1.0	1033	1308	19	1.60	5.7	180	228	5.7	1.75	1.1	906	1148	19	1.80	6.7	154	195	5.7	2.10	1.5	702	889	19	2.35	3.9	267	338	4.5	0.80	1.7	616	780	19	2.65	4.4	234	296	4.7	0.90	1.9	543	688	19	3.00	5.1	204	259	5.0	1.00	2.2	474	601	19	3.50	5.7	180	228	5.1	1.15						6.6	157	199	5.3	1.35						7.6	136	172	5.4	1.55						4.0	259	328	4.3	0.80						4.5	228	289	4.7	0.90						4.9	209	265	4.9	1.00						5.8	178	226	5.2	1.20						6.5	159	202	5.3	1.30						7.3	141	179	5.4	1.50																																																																																																																																																																																																																																																																																																																																																																									
0.65	1592	2016	27	2.00	3.7	282	357	7.4	1.70	0.76	1368	1733	27	2.30	4.1	252	319	7.4	1.90	0.43	2420	3065	25	1.30	3.6	283	359	7.4	1.70	0.48	2149	2722	26	1.50	4.0	256	324	7.4	1.85	0.57	1825	2311	26	1.75	4.5	229	290	7.5	2.10	0.63	1641	2078	26	1.95	5.0	207	262	7.5	2.30	0.72	1439	1823	27	2.20	5.3	194	246	7.5	2.45	0.83	1250	1583	27	2.55	6.0	174	220	7.5	2.75	0.94	1102	1396	27	2.90	2.3	452	572	2.4	0.80	1.1	970	1228	27	3.30	2.6	403	510	4.9	0.80	0.45	2278	2885	15	0.80	3.0	344	436	5.3	0.90	0.67	1555	1969	18	1.05	3.2	322	408	5.3	1.00	0.47	2196	2781	10	0.80	3.8	272	344	5.5	1.15	0.50	2057	2606	15	0.80	2.6	396	502	3.6	0.80	0.61	1688	2138	17	0.95	3.1	339	429	5.2	0.95	0.68	1530	1938	18	1.05	3.5	294	372	5.4	1.10	0.75	1374	1740	18	1.20	3.8	275	348	5.4	1.15	0.75	1377	1744	19	1.20	4.4	238	301	5.5	1.35	0.86	1208	1530	19	1.35	5.1	201	255	5.7	1.55	1.0	1033	1308	19	1.60	5.7	180	228	5.7	1.75	1.1	906	1148	19	1.80	6.7	154	195	5.7	2.10	1.5	702	889	19	2.35	3.9	267	338	4.5	0.80	1.7	616	780	19	2.65	4.4	234	296	4.7	0.90	1.9	543	688	19	3.00	5.1	204	259	5.0	1.00	2.2	474	601	19	3.50	5.7	180	228	5.1	1.15						6.6	157	199	5.3	1.35						7.6	136	172	5.4	1.55						4.0	259	328	4.3	0.80						4.5	228	289	4.7	0.90						4.9	209	265	4.9	1.00						5.8	178	226	5.2	1.20						6.5	159	202	5.3	1.30						7.3	141	179	5.4	1.50																																																																																																																																																																																																																																																																																																																																																																																			
0.76	1368	1733	27	2.30	4.1	252	319	7.4	1.90	0.43	2420	3065	25	1.30	3.6	283	359	7.4	1.70	0.48	2149	2722	26	1.50	4.0	256	324	7.4	1.85	0.57	1825	2311	26	1.75	4.5	229	290	7.5	2.10	0.63	1641	2078	26	1.95	5.0	207	262	7.5	2.30	0.72	1439	1823	27	2.20	5.3	194	246	7.5	2.45	0.83	1250	1583	27	2.55	6.0	174	220	7.5	2.75	0.94	1102	1396	27	2.90	2.3	452	572	2.4	0.80	1.1	970	1228	27	3.30	2.6	403	510	4.9	0.80	0.45	2278	2885	15	0.80	3.0	344	436	5.3	0.90	0.67	1555	1969	18	1.05	3.2	322	408	5.3	1.00	0.47	2196	2781	10	0.80	3.8	272	344	5.5	1.15	0.50	2057	2606	15	0.80	2.6	396	502	3.6	0.80	0.61	1688	2138	17	0.95	3.1	339	429	5.2	0.95	0.68	1530	1938	18	1.05	3.5	294	372	5.4	1.10	0.75	1374	1740	18	1.20	3.8	275	348	5.4	1.15	0.75	1377	1744	19	1.20	4.4	238	301	5.5	1.35	0.86	1208	1530	19	1.35	5.1	201	255	5.7	1.55	1.0	1033	1308	19	1.60	5.7	180	228	5.7	1.75	1.1	906	1148	19	1.80	6.7	154	195	5.7	2.10	1.5	702	889	19	2.35	3.9	267	338	4.5	0.80	1.7	616	780	19	2.65	4.4	234	296	4.7	0.90	1.9	543	688	19	3.00	5.1	204	259	5.0	1.00	2.2	474	601	19	3.50	5.7	180	228	5.1	1.15						6.6	157	199	5.3	1.35						7.6	136	172	5.4	1.55						4.0	259	328	4.3	0.80						4.5	228	289	4.7	0.90						4.9	209	265	4.9	1.00						5.8	178	226	5.2	1.20						6.5	159	202	5.3	1.30						7.3	141	179	5.4	1.50																																																																																																																																																																																																																																																																																																																																																																																													
0.43	2420	3065	25	1.30	3.6	283	359	7.4	1.70	0.48	2149	2722	26	1.50	4.0	256	324	7.4	1.85	0.57	1825	2311	26	1.75	4.5	229	290	7.5	2.10	0.63	1641	2078	26	1.95	5.0	207	262	7.5	2.30	0.72	1439	1823	27	2.20	5.3	194	246	7.5	2.45	0.83	1250	1583	27	2.55	6.0	174	220	7.5	2.75	0.94	1102	1396	27	2.90	2.3	452	572	2.4	0.80	1.1	970	1228	27	3.30	2.6	403	510	4.9	0.80	0.45	2278	2885	15	0.80	3.0	344	436	5.3	0.90	0.67	1555	1969	18	1.05	3.2	322	408	5.3	1.00	0.47	2196	2781	10	0.80	3.8	272	344	5.5	1.15	0.50	2057	2606	15	0.80	2.6	396	502	3.6	0.80	0.61	1688	2138	17	0.95	3.1	339	429	5.2	0.95	0.68	1530	1938	18	1.05	3.5	294	372	5.4	1.10	0.75	1374	1740	18	1.20	3.8	275	348	5.4	1.15	0.75	1377	1744	19	1.20	4.4	238	301	5.5	1.35	0.86	1208	1530	19	1.35	5.1	201	255	5.7	1.55	1.0	1033	1308	19	1.60	5.7	180	228	5.7	1.75	1.1	906	1148	19	1.80	6.7	154	195	5.7	2.10	1.5	702	889	19	2.35	3.9	267	338	4.5	0.80	1.7	616	780	19	2.65	4.4	234	296	4.7	0.90	1.9	543	688	19	3.00	5.1	204	259	5.0	1.00	2.2	474	601	19	3.50	5.7	180	228	5.1	1.15						6.6	157	199	5.3	1.35						7.6	136	172	5.4	1.55						4.0	259	328	4.3	0.80						4.5	228	289	4.7	0.90						4.9	209	265	4.9	1.00						5.8	178	226	5.2	1.20						6.5	159	202	5.3	1.30						7.3	141	179	5.4	1.50																																																																																																																																																																																																																																																																																																																																																																																																							
0.48	2149	2722	26	1.50	4.0	256	324	7.4	1.85	0.57	1825	2311	26	1.75	4.5	229	290	7.5	2.10	0.63	1641	2078	26	1.95	5.0	207	262	7.5	2.30	0.72	1439	1823	27	2.20	5.3	194	246	7.5	2.45	0.83	1250	1583	27	2.55	6.0	174	220	7.5	2.75	0.94	1102	1396	27	2.90	2.3	452	572	2.4	0.80	1.1	970	1228	27	3.30	2.6	403	510	4.9	0.80	0.45	2278	2885	15	0.80	3.0	344	436	5.3	0.90	0.67	1555	1969	18	1.05	3.2	322	408	5.3	1.00	0.47	2196	2781	10	0.80	3.8	272	344	5.5	1.15	0.50	2057	2606	15	0.80	2.6	396	502	3.6	0.80	0.61	1688	2138	17	0.95	3.1	339	429	5.2	0.95	0.68	1530	1938	18	1.05	3.5	294	372	5.4	1.10	0.75	1374	1740	18	1.20	3.8	275	348	5.4	1.15	0.75	1377	1744	19	1.20	4.4	238	301	5.5	1.35	0.86	1208	1530	19	1.35	5.1	201	255	5.7	1.55	1.0	1033	1308	19	1.60	5.7	180	228	5.7	1.75	1.1	906	1148	19	1.80	6.7	154	195	5.7	2.10	1.5	702	889	19	2.35	3.9	267	338	4.5	0.80	1.7	616	780	19	2.65	4.4	234	296	4.7	0.90	1.9	543	688	19	3.00	5.1	204	259	5.0	1.00	2.2	474	601	19	3.50	5.7	180	228	5.1	1.15						6.6	157	199	5.3	1.35						7.6	136	172	5.4	1.55						4.0	259	328	4.3	0.80						4.5	228	289	4.7	0.90						4.9	209	265	4.9	1.00						5.8	178	226	5.2	1.20						6.5	159	202	5.3	1.30						7.3	141	179	5.4	1.50																																																																																																																																																																																																																																																																																																																																																																																																																	
0.57	1825	2311	26	1.75	4.5	229	290	7.5	2.10	0.63	1641	2078	26	1.95	5.0	207	262	7.5	2.30	0.72	1439	1823	27	2.20	5.3	194	246	7.5	2.45	0.83	1250	1583	27	2.55	6.0	174	220	7.5	2.75	0.94	1102	1396	27	2.90	2.3	452	572	2.4	0.80	1.1	970	1228	27	3.30	2.6	403	510	4.9	0.80	0.45	2278	2885	15	0.80	3.0	344	436	5.3	0.90	0.67	1555	1969	18	1.05	3.2	322	408	5.3	1.00	0.47	2196	2781	10	0.80	3.8	272	344	5.5	1.15	0.50	2057	2606	15	0.80	2.6	396	502	3.6	0.80	0.61	1688	2138	17	0.95	3.1	339	429	5.2	0.95	0.68	1530	1938	18	1.05	3.5	294	372	5.4	1.10	0.75	1374	1740	18	1.20	3.8	275	348	5.4	1.15	0.75	1377	1744	19	1.20	4.4	238	301	5.5	1.35	0.86	1208	1530	19	1.35	5.1	201	255	5.7	1.55	1.0	1033	1308	19	1.60	5.7	180	228	5.7	1.75	1.1	906	1148	19	1.80	6.7	154	195	5.7	2.10	1.5	702	889	19	2.35	3.9	267	338	4.5	0.80	1.7	616	780	19	2.65	4.4	234	296	4.7	0.90	1.9	543	688	19	3.00	5.1	204	259	5.0	1.00	2.2	474	601	19	3.50	5.7	180	228	5.1	1.15						6.6	157	199	5.3	1.35						7.6	136	172	5.4	1.55						4.0	259	328	4.3	0.80						4.5	228	289	4.7	0.90						4.9	209	265	4.9	1.00						5.8	178	226	5.2	1.20						6.5	159	202	5.3	1.30						7.3	141	179	5.4	1.50																																																																																																																																																																																																																																																																																																																																																																																																																											
0.63	1641	2078	26	1.95	5.0	207	262	7.5	2.30	0.72	1439	1823	27	2.20	5.3	194	246	7.5	2.45	0.83	1250	1583	27	2.55	6.0	174	220	7.5	2.75	0.94	1102	1396	27	2.90	2.3	452	572	2.4	0.80	1.1	970	1228	27	3.30	2.6	403	510	4.9	0.80	0.45	2278	2885	15	0.80	3.0	344	436	5.3	0.90	0.67	1555	1969	18	1.05	3.2	322	408	5.3	1.00	0.47	2196	2781	10	0.80	3.8	272	344	5.5	1.15	0.50	2057	2606	15	0.80	2.6	396	502	3.6	0.80	0.61	1688	2138	17	0.95	3.1	339	429	5.2	0.95	0.68	1530	1938	18	1.05	3.5	294	372	5.4	1.10	0.75	1374	1740	18	1.20	3.8	275	348	5.4	1.15	0.75	1377	1744	19	1.20	4.4	238	301	5.5	1.35	0.86	1208	1530	19	1.35	5.1	201	255	5.7	1.55	1.0	1033	1308	19	1.60	5.7	180	228	5.7	1.75	1.1	906	1148	19	1.80	6.7	154	195	5.7	2.10	1.5	702	889	19	2.35	3.9	267	338	4.5	0.80	1.7	616	780	19	2.65	4.4	234	296	4.7	0.90	1.9	543	688	19	3.00	5.1	204	259	5.0	1.00	2.2	474	601	19	3.50	5.7	180	228	5.1	1.15						6.6	157	199	5.3	1.35						7.6	136	172	5.4	1.55						4.0	259	328	4.3	0.80						4.5	228	289	4.7	0.90						4.9	209	265	4.9	1.00						5.8	178	226	5.2	1.20						6.5	159	202	5.3	1.30						7.3	141	179	5.4	1.50																																																																																																																																																																																																																																																																																																																																																																																																																																					
0.72	1439	1823	27	2.20	5.3	194	246	7.5	2.45	0.83	1250	1583	27	2.55	6.0	174	220	7.5	2.75	0.94	1102	1396	27	2.90	2.3	452	572	2.4	0.80	1.1	970	1228	27	3.30	2.6	403	510	4.9	0.80	0.45	2278	2885	15	0.80	3.0	344	436	5.3	0.90	0.67	1555	1969	18	1.05	3.2	322	408	5.3	1.00	0.47	2196	2781	10	0.80	3.8	272	344	5.5	1.15	0.50	2057	2606	15	0.80	2.6	396	502	3.6	0.80	0.61	1688	2138	17	0.95	3.1	339	429	5.2	0.95	0.68	1530	1938	18	1.05	3.5	294	372	5.4	1.10	0.75	1374	1740	18	1.20	3.8	275	348	5.4	1.15	0.75	1377	1744	19	1.20	4.4	238	301	5.5	1.35	0.86	1208	1530	19	1.35	5.1	201	255	5.7	1.55	1.0	1033	1308	19	1.60	5.7	180	228	5.7	1.75	1.1	906	1148	19	1.80	6.7	154	195	5.7	2.10	1.5	702	889	19	2.35	3.9	267	338	4.5	0.80	1.7	616	780	19	2.65	4.4	234	296	4.7	0.90	1.9	543	688	19	3.00	5.1	204	259	5.0	1.00	2.2	474	601	19	3.50	5.7	180	228	5.1	1.15						6.6	157	199	5.3	1.35						7.6	136	172	5.4	1.55						4.0	259	328	4.3	0.80						4.5	228	289	4.7	0.90						4.9	209	265	4.9	1.00						5.8	178	226	5.2	1.20						6.5	159	202	5.3	1.30						7.3	141	179	5.4	1.50																																																																																																																																																																																																																																																																																																																																																																																																																																															
0.83	1250	1583	27	2.55	6.0	174	220	7.5	2.75	0.94	1102	1396	27	2.90	2.3	452	572	2.4	0.80	1.1	970	1228	27	3.30	2.6	403	510	4.9	0.80	0.45	2278	2885	15	0.80	3.0	344	436	5.3	0.90	0.67	1555	1969	18	1.05	3.2	322	408	5.3	1.00	0.47	2196	2781	10	0.80	3.8	272	344	5.5	1.15	0.50	2057	2606	15	0.80	2.6	396	502	3.6	0.80	0.61	1688	2138	17	0.95	3.1	339	429	5.2	0.95	0.68	1530	1938	18	1.05	3.5	294	372	5.4	1.10	0.75	1374	1740	18	1.20	3.8	275	348	5.4	1.15	0.75	1377	1744	19	1.20	4.4	238	301	5.5	1.35	0.86	1208	1530	19	1.35	5.1	201	255	5.7	1.55	1.0	1033	1308	19	1.60	5.7	180	228	5.7	1.75	1.1	906	1148	19	1.80	6.7	154	195	5.7	2.10	1.5	702	889	19	2.35	3.9	267	338	4.5	0.80	1.7	616	780	19	2.65	4.4	234	296	4.7	0.90	1.9	543	688	19	3.00	5.1	204	259	5.0	1.00	2.2	474	601	19	3.50	5.7	180	228	5.1	1.15						6.6	157	199	5.3	1.35						7.6	136	172	5.4	1.55						4.0	259	328	4.3	0.80						4.5	228	289	4.7	0.90						4.9	209	265	4.9	1.00						5.8	178	226	5.2	1.20						6.5	159	202	5.3	1.30						7.3	141	179	5.4	1.50																																																																																																																																																																																																																																																																																																																																																																																																																																																									
0.94	1102	1396	27	2.90	2.3	452	572	2.4	0.80	1.1	970	1228	27	3.30	2.6	403	510	4.9	0.80	0.45	2278	2885	15	0.80	3.0	344	436	5.3	0.90	0.67	1555	1969	18	1.05	3.2	322	408	5.3	1.00	0.47	2196	2781	10	0.80	3.8	272	344	5.5	1.15	0.50	2057	2606	15	0.80	2.6	396	502	3.6	0.80	0.61	1688	2138	17	0.95	3.1	339	429	5.2	0.95	0.68	1530	1938	18	1.05	3.5	294	372	5.4	1.10	0.75	1374	1740	18	1.20	3.8	275	348	5.4	1.15	0.75	1377	1744	19	1.20	4.4	238	301	5.5	1.35	0.86	1208	1530	19	1.35	5.1	201	255	5.7	1.55	1.0	1033	1308	19	1.60	5.7	180	228	5.7	1.75	1.1	906	1148	19	1.80	6.7	154	195	5.7	2.10	1.5	702	889	19	2.35	3.9	267	338	4.5	0.80	1.7	616	780	19	2.65	4.4	234	296	4.7	0.90	1.9	543	688	19	3.00	5.1	204	259	5.0	1.00	2.2	474	601	19	3.50	5.7	180	228	5.1	1.15						6.6	157	199	5.3	1.35						7.6	136	172	5.4	1.55						4.0	259	328	4.3	0.80						4.5	228	289	4.7	0.90						4.9	209	265	4.9	1.00						5.8	178	226	5.2	1.20						6.5	159	202	5.3	1.30						7.3	141	179	5.4	1.50																																																																																																																																																																																																																																																																																																																																																																																																																																																																			
1.1	970	1228	27	3.30	2.6	403	510	4.9	0.80	0.45	2278	2885	15	0.80	3.0	344	436	5.3	0.90	0.67	1555	1969	18	1.05	3.2	322	408	5.3	1.00	0.47	2196	2781	10	0.80	3.8	272	344	5.5	1.15	0.50	2057	2606	15	0.80	2.6	396	502	3.6	0.80	0.61	1688	2138	17	0.95	3.1	339	429	5.2	0.95	0.68	1530	1938	18	1.05	3.5	294	372	5.4	1.10	0.75	1374	1740	18	1.20	3.8	275	348	5.4	1.15	0.75	1377	1744	19	1.20	4.4	238	301	5.5	1.35	0.86	1208	1530	19	1.35	5.1	201	255	5.7	1.55	1.0	1033	1308	19	1.60	5.7	180	228	5.7	1.75	1.1	906	1148	19	1.80	6.7	154	195	5.7	2.10	1.5	702	889	19	2.35	3.9	267	338	4.5	0.80	1.7	616	780	19	2.65	4.4	234	296	4.7	0.90	1.9	543	688	19	3.00	5.1	204	259	5.0	1.00	2.2	474	601	19	3.50	5.7	180	228	5.1	1.15						6.6	157	199	5.3	1.35						7.6	136	172	5.4	1.55						4.0	259	328	4.3	0.80						4.5	228	289	4.7	0.90						4.9	209	265	4.9	1.00						5.8	178	226	5.2	1.20						6.5	159	202	5.3	1.30						7.3	141	179	5.4	1.50																																																																																																																																																																																																																																																																																																																																																																																																																																																																													
0.45	2278	2885	15	0.80	3.0	344	436	5.3	0.90	0.67	1555	1969	18	1.05	3.2	322	408	5.3	1.00	0.47	2196	2781	10	0.80	3.8	272	344	5.5	1.15	0.50	2057	2606	15	0.80	2.6	396	502	3.6	0.80	0.61	1688	2138	17	0.95	3.1	339	429	5.2	0.95	0.68	1530	1938	18	1.05	3.5	294	372	5.4	1.10	0.75	1374	1740	18	1.20	3.8	275	348	5.4	1.15	0.75	1377	1744	19	1.20	4.4	238	301	5.5	1.35	0.86	1208	1530	19	1.35	5.1	201	255	5.7	1.55	1.0	1033	1308	19	1.60	5.7	180	228	5.7	1.75	1.1	906	1148	19	1.80	6.7	154	195	5.7	2.10	1.5	702	889	19	2.35	3.9	267	338	4.5	0.80	1.7	616	780	19	2.65	4.4	234	296	4.7	0.90	1.9	543	688	19	3.00	5.1	204	259	5.0	1.00	2.2	474	601	19	3.50	5.7	180	228	5.1	1.15						6.6	157	199	5.3	1.35						7.6	136	172	5.4	1.55						4.0	259	328	4.3	0.80						4.5	228	289	4.7	0.90						4.9	209	265	4.9	1.00						5.8	178	226	5.2	1.20						6.5	159	202	5.3	1.30						7.3	141	179	5.4	1.50																																																																																																																																																																																																																																																																																																																																																																																																																																																																																							
0.67	1555	1969	18	1.05	3.2	322	408	5.3	1.00	0.47	2196	2781	10	0.80	3.8	272	344	5.5	1.15	0.50	2057	2606	15	0.80	2.6	396	502	3.6	0.80	0.61	1688	2138	17	0.95	3.1	339	429	5.2	0.95	0.68	1530	1938	18	1.05	3.5	294	372	5.4	1.10	0.75	1374	1740	18	1.20	3.8	275	348	5.4	1.15	0.75	1377	1744	19	1.20	4.4	238	301	5.5	1.35	0.86	1208	1530	19	1.35	5.1	201	255	5.7	1.55	1.0	1033	1308	19	1.60	5.7	180	228	5.7	1.75	1.1	906	1148	19	1.80	6.7	154	195	5.7	2.10	1.5	702	889	19	2.35	3.9	267	338	4.5	0.80	1.7	616	780	19	2.65	4.4	234	296	4.7	0.90	1.9	543	688	19	3.00	5.1	204	259	5.0	1.00	2.2	474	601	19	3.50	5.7	180	228	5.1	1.15						6.6	157	199	5.3	1.35						7.6	136	172	5.4	1.55						4.0	259	328	4.3	0.80						4.5	228	289	4.7	0.90						4.9	209	265	4.9	1.00						5.8	178	226	5.2	1.20						6.5	159	202	5.3	1.30						7.3	141	179	5.4	1.50																																																																																																																																																																																																																																																																																																																																																																																																																																																																																																	
0.47	2196	2781	10	0.80	3.8	272	344	5.5	1.15	0.50	2057	2606	15	0.80	2.6	396	502	3.6	0.80	0.61	1688	2138	17	0.95	3.1	339	429	5.2	0.95	0.68	1530	1938	18	1.05	3.5	294	372	5.4	1.10	0.75	1374	1740	18	1.20	3.8	275	348	5.4	1.15	0.75	1377	1744	19	1.20	4.4	238	301	5.5	1.35	0.86	1208	1530	19	1.35	5.1	201	255	5.7	1.55	1.0	1033	1308	19	1.60	5.7	180	228	5.7	1.75	1.1	906	1148	19	1.80	6.7	154	195	5.7	2.10	1.5	702	889	19	2.35	3.9	267	338	4.5	0.80	1.7	616	780	19	2.65	4.4	234	296	4.7	0.90	1.9	543	688	19	3.00	5.1	204	259	5.0	1.00	2.2	474	601	19	3.50	5.7	180	228	5.1	1.15						6.6	157	199	5.3	1.35						7.6	136	172	5.4	1.55						4.0	259	328	4.3	0.80						4.5	228	289	4.7	0.90						4.9	209	265	4.9	1.00						5.8	178	226	5.2	1.20						6.5	159	202	5.3	1.30						7.3	141	179	5.4	1.50																																																																																																																																																																																																																																																																																																																																																																																																																																																																																																											
0.50	2057	2606	15	0.80	2.6	396	502	3.6	0.80	0.61	1688	2138	17	0.95	3.1	339	429	5.2	0.95	0.68	1530	1938	18	1.05	3.5	294	372	5.4	1.10	0.75	1374	1740	18	1.20	3.8	275	348	5.4	1.15	0.75	1377	1744	19	1.20	4.4	238	301	5.5	1.35	0.86	1208	1530	19	1.35	5.1	201	255	5.7	1.55	1.0	1033	1308	19	1.60	5.7	180	228	5.7	1.75	1.1	906	1148	19	1.80	6.7	154	195	5.7	2.10	1.5	702	889	19	2.35	3.9	267	338	4.5	0.80	1.7	616	780	19	2.65	4.4	234	296	4.7	0.90	1.9	543	688	19	3.00	5.1	204	259	5.0	1.00	2.2	474	601	19	3.50	5.7	180	228	5.1	1.15						6.6	157	199	5.3	1.35						7.6	136	172	5.4	1.55						4.0	259	328	4.3	0.80						4.5	228	289	4.7	0.90						4.9	209	265	4.9	1.00						5.8	178	226	5.2	1.20						6.5	159	202	5.3	1.30						7.3	141	179	5.4	1.50																																																																																																																																																																																																																																																																																																																																																																																																																																																																																																																					
0.61	1688	2138	17	0.95	3.1	339	429	5.2	0.95	0.68	1530	1938	18	1.05	3.5	294	372	5.4	1.10	0.75	1374	1740	18	1.20	3.8	275	348	5.4	1.15	0.75	1377	1744	19	1.20	4.4	238	301	5.5	1.35	0.86	1208	1530	19	1.35	5.1	201	255	5.7	1.55	1.0	1033	1308	19	1.60	5.7	180	228	5.7	1.75	1.1	906	1148	19	1.80	6.7	154	195	5.7	2.10	1.5	702	889	19	2.35	3.9	267	338	4.5	0.80	1.7	616	780	19	2.65	4.4	234	296	4.7	0.90	1.9	543	688	19	3.00	5.1	204	259	5.0	1.00	2.2	474	601	19	3.50	5.7	180	228	5.1	1.15						6.6	157	199	5.3	1.35						7.6	136	172	5.4	1.55						4.0	259	328	4.3	0.80						4.5	228	289	4.7	0.90						4.9	209	265	4.9	1.00						5.8	178	226	5.2	1.20						6.5	159	202	5.3	1.30						7.3	141	179	5.4	1.50																																																																																																																																																																																																																																																																																																																																																																																																																																																																																																																															
0.68	1530	1938	18	1.05	3.5	294	372	5.4	1.10	0.75	1374	1740	18	1.20	3.8	275	348	5.4	1.15	0.75	1377	1744	19	1.20	4.4	238	301	5.5	1.35	0.86	1208	1530	19	1.35	5.1	201	255	5.7	1.55	1.0	1033	1308	19	1.60	5.7	180	228	5.7	1.75	1.1	906	1148	19	1.80	6.7	154	195	5.7	2.10	1.5	702	889	19	2.35	3.9	267	338	4.5	0.80	1.7	616	780	19	2.65	4.4	234	296	4.7	0.90	1.9	543	688	19	3.00	5.1	204	259	5.0	1.00	2.2	474	601	19	3.50	5.7	180	228	5.1	1.15						6.6	157	199	5.3	1.35						7.6	136	172	5.4	1.55						4.0	259	328	4.3	0.80						4.5	228	289	4.7	0.90						4.9	209	265	4.9	1.00						5.8	178	226	5.2	1.20						6.5	159	202	5.3	1.30						7.3	141	179	5.4	1.50																																																																																																																																																																																																																																																																																																																																																																																																																																																																																																																																									
0.75	1374	1740	18	1.20	3.8	275	348	5.4	1.15	0.75	1377	1744	19	1.20	4.4	238	301	5.5	1.35	0.86	1208	1530	19	1.35	5.1	201	255	5.7	1.55	1.0	1033	1308	19	1.60	5.7	180	228	5.7	1.75	1.1	906	1148	19	1.80	6.7	154	195	5.7	2.10	1.5	702	889	19	2.35	3.9	267	338	4.5	0.80	1.7	616	780	19	2.65	4.4	234	296	4.7	0.90	1.9	543	688	19	3.00	5.1	204	259	5.0	1.00	2.2	474	601	19	3.50	5.7	180	228	5.1	1.15						6.6	157	199	5.3	1.35						7.6	136	172	5.4	1.55						4.0	259	328	4.3	0.80						4.5	228	289	4.7	0.90						4.9	209	265	4.9	1.00						5.8	178	226	5.2	1.20						6.5	159	202	5.3	1.30						7.3	141	179	5.4	1.50																																																																																																																																																																																																																																																																																																																																																																																																																																																																																																																																																			
0.75	1377	1744	19	1.20	4.4	238	301	5.5	1.35	0.86	1208	1530	19	1.35	5.1	201	255	5.7	1.55	1.0	1033	1308	19	1.60	5.7	180	228	5.7	1.75	1.1	906	1148	19	1.80	6.7	154	195	5.7	2.10	1.5	702	889	19	2.35	3.9	267	338	4.5	0.80	1.7	616	780	19	2.65	4.4	234	296	4.7	0.90	1.9	543	688	19	3.00	5.1	204	259	5.0	1.00	2.2	474	601	19	3.50	5.7	180	228	5.1	1.15						6.6	157	199	5.3	1.35						7.6	136	172	5.4	1.55						4.0	259	328	4.3	0.80						4.5	228	289	4.7	0.90						4.9	209	265	4.9	1.00						5.8	178	226	5.2	1.20						6.5	159	202	5.3	1.30						7.3	141	179	5.4	1.50																																																																																																																																																																																																																																																																																																																																																																																																																																																																																																																																																													
0.86	1208	1530	19	1.35	5.1	201	255	5.7	1.55	1.0	1033	1308	19	1.60	5.7	180	228	5.7	1.75	1.1	906	1148	19	1.80	6.7	154	195	5.7	2.10	1.5	702	889	19	2.35	3.9	267	338	4.5	0.80	1.7	616	780	19	2.65	4.4	234	296	4.7	0.90	1.9	543	688	19	3.00	5.1	204	259	5.0	1.00	2.2	474	601	19	3.50	5.7	180	228	5.1	1.15						6.6	157	199	5.3	1.35						7.6	136	172	5.4	1.55						4.0	259	328	4.3	0.80						4.5	228	289	4.7	0.90						4.9	209	265	4.9	1.00						5.8	178	226	5.2	1.20						6.5	159	202	5.3	1.30						7.3	141	179	5.4	1.50																																																																																																																																																																																																																																																																																																																																																																																																																																																																																																																																																																							
1.0	1033	1308	19	1.60	5.7	180	228	5.7	1.75	1.1	906	1148	19	1.80	6.7	154	195	5.7	2.10	1.5	702	889	19	2.35	3.9	267	338	4.5	0.80	1.7	616	780	19	2.65	4.4	234	296	4.7	0.90	1.9	543	688	19	3.00	5.1	204	259	5.0	1.00	2.2	474	601	19	3.50	5.7	180	228	5.1	1.15						6.6	157	199	5.3	1.35						7.6	136	172	5.4	1.55						4.0	259	328	4.3	0.80						4.5	228	289	4.7	0.90						4.9	209	265	4.9	1.00						5.8	178	226	5.2	1.20						6.5	159	202	5.3	1.30						7.3	141	179	5.4	1.50																																																																																																																																																																																																																																																																																																																																																																																																																																																																																																																																																																																	
1.1	906	1148	19	1.80	6.7	154	195	5.7	2.10	1.5	702	889	19	2.35	3.9	267	338	4.5	0.80	1.7	616	780	19	2.65	4.4	234	296	4.7	0.90	1.9	543	688	19	3.00	5.1	204	259	5.0	1.00	2.2	474	601	19	3.50	5.7	180	228	5.1	1.15						6.6	157	199	5.3	1.35						7.6	136	172	5.4	1.55						4.0	259	328	4.3	0.80						4.5	228	289	4.7	0.90						4.9	209	265	4.9	1.00						5.8	178	226	5.2	1.20						6.5	159	202	5.3	1.30						7.3	141	179	5.4	1.50																																																																																																																																																																																																																																																																																																																																																																																																																																																																																																																																																																																											
1.5	702	889	19	2.35	3.9	267	338	4.5	0.80	1.7	616	780	19	2.65	4.4	234	296	4.7	0.90	1.9	543	688	19	3.00	5.1	204	259	5.0	1.00	2.2	474	601	19	3.50	5.7	180	228	5.1	1.15						6.6	157	199	5.3	1.35						7.6	136	172	5.4	1.55						4.0	259	328	4.3	0.80						4.5	228	289	4.7	0.90						4.9	209	265	4.9	1.00						5.8	178	226	5.2	1.20						6.5	159	202	5.3	1.30						7.3	141	179	5.4	1.50																																																																																																																																																																																																																																																																																																																																																																																																																																																																																																																																																																																																					
1.7	616	780	19	2.65	4.4	234	296	4.7	0.90	1.9	543	688	19	3.00	5.1	204	259	5.0	1.00	2.2	474	601	19	3.50	5.7	180	228	5.1	1.15						6.6	157	199	5.3	1.35						7.6	136	172	5.4	1.55						4.0	259	328	4.3	0.80						4.5	228	289	4.7	0.90						4.9	209	265	4.9	1.00						5.8	178	226	5.2	1.20						6.5	159	202	5.3	1.30						7.3	141	179	5.4	1.50																																																																																																																																																																																																																																																																																																																																																																																																																																																																																																																																																																																																															
1.9	543	688	19	3.00	5.1	204	259	5.0	1.00	2.2	474	601	19	3.50	5.7	180	228	5.1	1.15						6.6	157	199	5.3	1.35						7.6	136	172	5.4	1.55						4.0	259	328	4.3	0.80						4.5	228	289	4.7	0.90						4.9	209	265	4.9	1.00						5.8	178	226	5.2	1.20						6.5	159	202	5.3	1.30						7.3	141	179	5.4	1.50																																																																																																																																																																																																																																																																																																																																																																																																																																																																																																																																																																																																																									
2.2	474	601	19	3.50	5.7	180	228	5.1	1.15						6.6	157	199	5.3	1.35						7.6	136	172	5.4	1.55						4.0	259	328	4.3	0.80						4.5	228	289	4.7	0.90						4.9	209	265	4.9	1.00						5.8	178	226	5.2	1.20						6.5	159	202	5.3	1.30						7.3	141	179	5.4	1.50																																																																																																																																																																																																																																																																																																																																																																																																																																																																																																																																																																																																																																			
					6.6	157	199	5.3	1.35						7.6	136	172	5.4	1.55						4.0	259	328	4.3	0.80						4.5	228	289	4.7	0.90						4.9	209	265	4.9	1.00						5.8	178	226	5.2	1.20						6.5	159	202	5.3	1.30						7.3	141	179	5.4	1.50																																																																																																																																																																																																																																																																																																																																																																																																																																																																																																																																																																																																																																													
					7.6	136	172	5.4	1.55						4.0	259	328	4.3	0.80						4.5	228	289	4.7	0.90						4.9	209	265	4.9	1.00						5.8	178	226	5.2	1.20						6.5	159	202	5.3	1.30						7.3	141	179	5.4	1.50																																																																																																																																																																																																																																																																																																																																																																																																																																																																																																																																																																																																																																																							
					4.0	259	328	4.3	0.80						4.5	228	289	4.7	0.90						4.9	209	265	4.9	1.00						5.8	178	226	5.2	1.20						6.5	159	202	5.3	1.30						7.3	141	179	5.4	1.50																																																																																																																																																																																																																																																																																																																																																																																																																																																																																																																																																																																																																																																																	
					4.5	228	289	4.7	0.90						4.9	209	265	4.9	1.00						5.8	178	226	5.2	1.20						6.5	159	202	5.3	1.30						7.3	141	179	5.4	1.50																																																																																																																																																																																																																																																																																																																																																																																																																																																																																																																																																																																																																																																																											
					4.9	209	265	4.9	1.00						5.8	178	226	5.2	1.20						6.5	159	202	5.3	1.30						7.3	141	179	5.4	1.50																																																																																																																																																																																																																																																																																																																																																																																																																																																																																																																																																																																																																																																																																					
					5.8	178	226	5.2	1.20						6.5	159	202	5.3	1.30						7.3	141	179	5.4	1.50																																																																																																																																																																																																																																																																																																																																																																																																																																																																																																																																																																																																																																																																																															
					6.5	159	202	5.3	1.30						7.3	141	179	5.4	1.50																																																																																																																																																																																																																																																																																																																																																																																																																																																																																																																																																																																																																																																																																																									
					7.3	141	179	5.4	1.50																																																																																																																																																																																																																																																																																																																																																																																																																																																																																																																																																																																																																																																																																																																			

选型参数表
(恒功率)

Selection Table
(Constant Power)

n_a [r/min]	M_a [Nm]	i	F_{ra} [kN]	f_B	机型号 Type size	极数 Pole	n_a [r/min]	M_a [Nm]	i	F_{ra} [kN]	f_B	机型号 Type size	极数 Pole																																																																																																																																																																																																																																																																																																																																																																																																																																																																																																																																																																																																																																												
0.12kW							0.12kW																																																																																																																																																																																																																																																																																																																																																																																																																																																																																																																																																																																																																																																		
5.7	181	229	3.9	0.80	GR27R17 GRF27R17	4P	15	68	84.78	4.2	1.85	GR27 GRF27	4P																																																																																																																																																																																																																																																																																																																																																																																																																																																																																																																																																																																																																																												
6.6	158	200	4.0	0.85			7.4	140	177	4.1	1.00			7.9	131	166	4.1	1.05	21	49	61.30	4.2	2.50	23	45	55.87	4.1	2.80	27	39	48.17	3.9	3.20	29	36	44.90	3.8	3.50	5.8	179	227	3.9	0.80	GR27R17 GRF27R17	4P	10	101	81.64	1.3	0.80	GR17 GRF17	6P*	6.5	160	203	4.0	0.85	7.3	141	179	4.1	1.00	8.4	123	156	4.1	1.10	12	87	70.39	1.4	0.95	13	81	65.61	1.8	1.00	15	71	57.35	2.3	1.15	16	67	53.76	2.4	1.25	4.4	250	195.24	12	3.30	GR77 GRF77	6P*	18	59	47.44	2.4	1.40	5.1	213	166.59	12	3.90	5.8	187	145.67	12	4.40	4.3	256	199.81	10	2.40	6.2	176	137.67	10	3.40	GR67 GRF67	6P*	16	66	81.64	2.4	1.25	7.5	90	113.94	10	4.10	6.6	166	128.97	10	3.70	7.1	153	184.07	10	3.90	6.6	166	199.81	10	3.60	GR67 GRF67	4P	19	57	70.39	2.4	1.45	7.1	153	184.07	10	3.90	4.5	239	186.89	7.4	1.90	GR57 GRF57	6P*	20	53	65.61	2.4	1.55	4.9	221	172.17	7.4	2.00	5.7	189	147.92	7.5	2.40	6.6	165	128.77	7.5	2.70	7.0	155	120.63	7.5	2.90	8.0	137	106.58	7.6	3.30	8.6	127	98.99	7.6	3.60	7.0	155	186.89	7.5	2.90	7.6	143	172.17	7.5	3.20	GR57 GRF57	4P	23	46	57.35	2.4	1.80	8.9	123	147.92	7.6	3.70	10.2	107	128.77	7.6	4.20	4.8	227	176.88	5.5	1.35	5.2	209	162.94	5.5	1.45	GR47 GRF47	6P*	24	43	53.76	2.4	1.90	6.1	179	139.99	5.6	1.70	7.0	156	121.87	5.7	1.95	7.4	147	176.88	5.7	2.00	GR47 GRF47	4P	28	38	47.44	2.4	2.20	8.0	135	162.94	5.7	2.20	9.4	116	139.99	5.8	2.60	11	101	121.87	5.8	3.00	11	95	114.17	5.8	3.20	13	84	100.86	5.8	3.60	14	78	93.68	5.8	3.90	6.3	167	134.82	5.0	1.15	6.9	153	123.66	5.1	1.25	GR37 GRF37	6P*	30	36	44.18	2.4	2.30	8.1	131	105.28	5.3	1.50	9.4	113	90.77	5.4	1.75	10	105	84.61	5.5	1.85	11	92	73.96	5.6	2.10	9.7	109	134.82	5.5	1.80	GR37 GRF37	4P	34	31	38.61	2.3	2.70	11	100	123.66	5.5	1.95	12	85	105.28	5.6	2.30	14	73	90.77	5.6	2.70	15	68	84.61	5.7	2.80	18	60	73.96	5.7	3.30	6.9	154	123.91	3.9	0.80	8.1	131	105.49	4.0	0.95	GR27 GRF27	6P*	36	29	36.20	2.3	2.80	9.3	113	90.96	4.1	1.10	10	105	84.78	4.1	1.20	11	92	74.11	4.2	1.40	9.7	109	135.09	4.1	1.15	11	100	123.91	4.1	1.25	GR27 GRF27	4P	41	26	31.94	2.2	3.20	12	85	105.49	4.2	1.50	14	73	90.96	4.2	1.70	52	20	25.23	2.1	4.10	57	19	23.15	2.0	4.40	66	16	19.71	1.9	5.20	77	14	16.99	1.8	6.00	83	13	15.84	1.8	6.40	95	11	13.84	1.7	7.40	101	10	12.98	1.7	7.90	114	9.2	11.45	1.6	8.50	129	8.2	10.15	1.6	9.20	152	6.9	8.63	1.5	10	174	6.1	7.55	1.4	8.90	186	5.7	7.04	1.4	9.50	213	4.9	6.15	1.3	11	227	4.6	5.76	1.3	11	257	4.1	5.09	1.3	12	290	3.6	4.51	1.2	13	342	3.1	3.83	1.1	14	216	5.2	6.07	4.1	8.60	253	4.4	5.18	3.8	17	289	3.9	4.53	3.7	22	305	3.7	4.30	3.6	22	238	4.7	5.50	3.2	8.50	258	4.3	5.07	3.1	8.60	301	3.7	4.35	3.0	19	346	3.2	3.79	2.8	22	369	3.0	3.55	2.8	24	417	2.7	3.14	2.7	25	450	2.5	2.91	2.6	28	496	2.3	2.64	2.5	31	553	2.0	2.37	2.4	35	642	1.7	2.04	2.3	41	682	1.6	1.92	2.3	43	794	1.4	1.65	2.1	49																																							
7.4	140	177	4.1	1.00			7.9	131	166	4.1	1.05			21	49	61.30	4.2	2.50	23	45	55.87	4.1	2.80	27	39	48.17	3.9	3.20	29	36	44.90	3.8	3.50	5.8	179	227	3.9	0.80	GR27R17 GRF27R17	4P	10	101	81.64			1.3	0.80	GR17 GRF17	6P*	6.5			160	203	4.0	0.85	7.3	141	179	4.1	1.00	8.4	123	156	4.1	1.10	12	87	70.39	1.4	0.95	13	81	65.61	1.8	1.00	15	71	57.35	2.3	1.15	16	67	53.76	2.4	1.25	4.4	250	195.24	12	3.30	GR77 GRF77			6P*	18	59	47.44	2.4	1.40	5.1	213	166.59	12	3.90	5.8	187	145.67	12	4.40	4.3	256	199.81	10	2.40	6.2	176	137.67	10			3.40	GR67 GRF67	6P*	16	66	81.64	2.4	1.25	7.5	90	113.94	10	4.10	6.6	166	128.97	10	3.70	7.1	153	184.07	10	3.90	6.6	166			199.81	10	3.60	GR67 GRF67	4P	19	57	70.39	2.4	1.45	7.1	153	184.07	10	3.90			4.5	239	186.89	7.4	1.90	GR57 GRF57	6P*	20	53	65.61	2.4	1.55	4.9	221	172.17	7.4	2.00	5.7	189	147.92	7.5	2.40	6.6	165	128.77	7.5	2.70	7.0	155	120.63	7.5	2.90	8.0	137	106.58	7.6	3.30	8.6	127	98.99	7.6	3.60	7.0	155	186.89			7.5	2.90	7.6	143	172.17	7.5	3.20	GR57 GRF57	4P	23	46	57.35	2.4	1.80	8.9	123	147.92	7.6	3.70	10.2	107	128.77	7.6	4.20	4.8			227	176.88	5.5	1.35	5.2	209	162.94	5.5	1.45	GR47 GRF47	6P*	24	43	53.76	2.4	1.90	6.1	179	139.99	5.6			1.70	7.0	156	121.87	5.7	1.95	7.4	147	176.88	5.7	2.00	GR47 GRF47	4P	28	38	47.44	2.4	2.20	8.0	135	162.94	5.7	2.20	9.4	116	139.99	5.8	2.60	11	101	121.87	5.8	3.00	11	95	114.17	5.8	3.20	13	84	100.86	5.8	3.60	14	78			93.68	5.8	3.90	6.3	167	134.82	5.0	1.15	6.9	153	123.66	5.1	1.25	GR37 GRF37	6P*	30	36	44.18	2.4	2.30	8.1	131	105.28	5.3	1.50	9.4	113	90.77	5.4	1.75			10	105	84.61	5.5	1.85	11	92	73.96	5.6	2.10	9.7	109	134.82	5.5	1.80	GR37 GRF37	4P	34	31	38.61	2.3	2.70	11	100	123.66	5.5	1.95	12	85	105.28	5.6	2.30	14	73	90.77	5.6	2.70	15	68	84.61			5.7	2.80	18	60	73.96	5.7	3.30	6.9	154	123.91	3.9	0.80	8.1	131	105.49	4.0	0.95	GR27 GRF27	6P*	36	29	36.20	2.3	2.80	9.3	113	90.96	4.1	1.10	10			105	84.78	4.1	1.20	11	92	74.11	4.2	1.40	9.7	109	135.09	4.1	1.15	11	100	123.91	4.1	1.25	GR27 GRF27	4P	41	26	31.94	2.2	3.20	12	85	105.49	4.2	1.50	14	73	90.96	4.2	1.70	52	20	25.23	2.1	4.10	57	19	23.15	2.0	4.40	66	16	19.71	1.9	5.20	77	14	16.99	1.8	6.00	83	13	15.84	1.8	6.40	95	11	13.84	1.7	7.40	101	10	12.98	1.7	7.90	114	9.2	11.45	1.6	8.50	129	8.2	10.15	1.6	9.20	152	6.9	8.63	1.5	10	174	6.1	7.55	1.4	8.90	186	5.7	7.04	1.4	9.50	213	4.9	6.15	1.3	11	227	4.6	5.76	1.3	11	257	4.1	5.09	1.3	12	290	3.6	4.51	1.2	13	342	3.1	3.83	1.1	14	216	5.2	6.07	4.1	8.60	253	4.4	5.18	3.8	17	289	3.9	4.53	3.7	22	305	3.7	4.30	3.6	22	238	4.7	5.50	3.2	8.50	258	4.3	5.07	3.1	8.60	301	3.7	4.35	3.0	19	346	3.2	3.79	2.8	22	369	3.0	3.55	2.8	24	417	2.7	3.14	2.7	25	450	2.5	2.91	2.6	28	496	2.3	2.64	2.5	31	553	2.0	2.37	2.4	35	642	1.7	2.04	2.3	41	682	1.6	1.92	2.3	43	794	1.4	1.65	2.1	49																		
7.9	131	166	4.1	1.05			21	49	61.30	4.2	2.50			23	45	55.87	4.1	2.80	27	39	48.17	3.9	3.20	29	36	44.90	3.8	3.50	5.8	179	227	3.9	0.80	GR27R17 GRF27R17	4P	10	101	81.64			1.3	0.80	GR17 GRF17			6P*	6.5			160			203	4.0	0.85	7.3	141	179	4.1	1.00	8.4	123	156	4.1	1.10	12	87	70.39	1.4	0.95	13	81	65.61	1.8	1.00	15	71	57.35	2.3	1.15	16	67	53.76	2.4	1.25	4.4	250	195.24	12	3.30	GR77 GRF77					6P*	18	59	47.44	2.4	1.40	5.1	213	166.59	12	3.90	5.8	187	145.67	12	4.40	4.3	256	199.81	10	2.40	6.2	176	137.67			10			3.40	GR67 GRF67	6P*	16	66	81.64	2.4	1.25	7.5	90	113.94	10	4.10	6.6	166	128.97	10	3.70	7.1	153	184.07	10	3.90	6.6	166	199.81	10			3.60	GR67 GRF67	4P	19	57	70.39	2.4	1.45	7.1	153			184.07	10	3.90	4.5	239			186.89	7.4	1.90	GR57 GRF57	6P*	20	53	65.61	2.4	1.55	4.9	221	172.17	7.4	2.00	5.7	189	147.92	7.5	2.40	6.6	165	128.77	7.5	2.70	7.0	155	120.63	7.5	2.90	8.0	137	106.58	7.6	3.30	8.6	127	98.99			7.6	3.60	7.0	155	186.89	7.5	2.90			7.6	143	172.17	7.5	3.20	GR57 GRF57	4P	23	46	57.35	2.4	1.80	8.9	123	147.92	7.6	3.70	10.2	107	128.77	7.6	4.20	4.8	227	176.88	5.5	1.35			5.2	209	162.94	5.5	1.45	GR47 GRF47	6P*	24	43			53.76	2.4	1.90	6.1	179	139.99	5.6	1.70	7.0	156	121.87			5.7	1.95	7.4	147	176.88	5.7	2.00	GR47 GRF47	4P	28	38	47.44	2.4	2.20	8.0	135	162.94	5.7	2.20	9.4	116	139.99	5.8	2.60	11	101	121.87	5.8	3.00	11	95	114.17			5.8	3.20	13	84	100.86	5.8	3.60	14	78	93.68	5.8	3.90	6.3			167	134.82	5.0	1.15	6.9	153	123.66	5.1	1.25	GR37 GRF37	6P*	30	36	44.18	2.4			2.30	8.1	131	105.28	5.3	1.50	9.4	113	90.77	5.4	1.75	10	105	84.61	5.5			1.85	11	92	73.96	5.6	2.10	9.7	109	134.82	5.5	1.80	GR37 GRF37	4P	34	31	38.61	2.3	2.70	11	100	123.66	5.5	1.95			12	85	105.28	5.6	2.30	14	73	90.77	5.6	2.70	15	68	84.61	5.7	2.80	18	60			73.96	5.7	3.30	6.9	154	123.91	3.9	0.80	8.1	131	105.49			4.0	0.95	GR27 GRF27	6P*	36	29	36.20	2.3	2.80	9.3	113	90.96	4.1	1.10	10	105	84.78	4.1	1.20			11	92	74.11	4.2	1.40	9.7	109	135.09	4.1	1.15	11	100	123.91	4.1	1.25	GR27 GRF27	4P	41	26	31.94	2.2	3.20	12	85	105.49	4.2	1.50	14	73	90.96	4.2	1.70	52	20	25.23	2.1	4.10	57	19	23.15	2.0	4.40	66	16	19.71	1.9	5.20	77	14	16.99	1.8	6.00	83	13	15.84	1.8	6.40	95	11	13.84	1.7	7.40	101	10	12.98	1.7	7.90	114	9.2	11.45	1.6	8.50	129	8.2	10.15	1.6	9.20	152	6.9	8.63	1.5	10	174	6.1	7.55	1.4	8.90	186	5.7	7.04	1.4	9.50	213	4.9	6.15	1.3	11	227	4.6	5.76	1.3	11	257	4.1	5.09	1.3	12	290	3.6	4.51	1.2	13	342	3.1	3.83	1.1	14	216	5.2	6.07	4.1	8.60	253	4.4	5.18	3.8	17	289	3.9	4.53	3.7	22	305	3.7	4.30	3.6	22	238	4.7	5.50	3.2	8.50	258	4.3	5.07	3.1	8.60	301	3.7	4.35	3.0	19	346	3.2	3.79	2.8	22	369	3.0	3.55	2.8	24	417	2.7	3.14	2.7	25	450	2.5	2.91	2.6	28	496	2.3	2.64	2.5	31	553	2.0	2.37	2.4	35	642	1.7	2.04	2.3	41	682	1.6	1.92	2.3	43	794	1.4	1.65	2.1	49	
21	49	61.30	4.2	2.50	23	45	55.87	4.1	2.80	27	39			48.17	3.9	3.20	29	36	44.90	3.8	3.50	5.8	179	227	3.9	0.80	GR27R17 GRF27R17	4P	10	101	81.64	1.3	0.80			GR17 GRF17	6P*	6.5			160	203					4.0			0.85			7.3	141	179	4.1	1.00	8.4	123	156	4.1	1.10	12	87	70.39	1.4	0.95	13	81	65.61	1.8	1.00	15	71	57.35	2.3	1.15	16	67	53.76	2.4	1.25	4.4	250	195.24	12	3.30	GR77 GRF77	6P*	18							59	47.44	2.4	1.40	5.1	213	166.59	12	3.90	5.8	187	145.67	12	4.40	4.3	256	199.81	10	2.40	6.2	176	137.67	10			3.40			GR67 GRF67			6P*	16	66	81.64	2.4	1.25	7.5	90	113.94	10	4.10	6.6	166	128.97	10	3.70	7.1	153	184.07	10	3.90	6.6	166	199.81	10	3.60	GR67 GRF67			4P	19	57	70.39	2.4	1.45	7.1			153	184.07	10	3.90	4.5			239	186.89	7.4			1.90	GR57 GRF57	6P*	20	53	65.61	2.4	1.55	4.9	221	172.17	7.4	2.00	5.7	189	147.92	7.5	2.40	6.6	165	128.77	7.5	2.70	7.0	155	120.63	7.5	2.90	8.0	137	106.58	7.6	3.30			8.6	127	98.99	7.6	3.60	7.0	155			186.89	7.5	2.90	7.6	143			172.17	7.5	3.20	GR57 GRF57	4P	23	46	57.35	2.4	1.80	8.9	123	147.92	7.6	3.70	10.2	107	128.77	7.6	4.20	4.8	227	176.88	5.5	1.35	5.2	209			162.94	5.5			1.45	GR47 GRF47	6P*	24	43	53.76	2.4	1.90	6.1	179	139.99			5.6	1.70	7.0	156	121.87	5.7	1.95			7.4	147	176.88	5.7	2.00	GR47 GRF47	4P	28	38	47.44	2.4	2.20	8.0	135	162.94	5.7	2.20	9.4	116	139.99	5.8	2.60	11			101	121.87	5.8	3.00	11	95	114.17	5.8	3.20	13	84	100.86	5.8			3.60	14	78	93.68	5.8	3.90	6.3	167	134.82			5.0	1.15	6.9	153			123.66	5.1	1.25	GR37 GRF37	6P*	30	36	44.18	2.4	2.30	8.1	131	105.28	5.3	1.50			9.4	113	90.77	5.4	1.75	10	105	84.61	5.5	1.85	11			92	73.96	5.6	2.10	9.7	109	134.82	5.5	1.80	GR37 GRF37			4P	34	31	38.61	2.3	2.70	11	100	123.66	5.5	1.95	12	85	105.28	5.6	2.30	14			73	90.77	5.6	2.70	15	68	84.61	5.7	2.80	18	60			73.96	5.7			3.30	6.9	154	123.91	3.9	0.80	8.1	131	105.49	4.0	0.95	GR27 GRF27	6P*	36	29			36.20	2.3	2.80	9.3	113	90.96	4.1	1.10	10	105	84.78	4.1	1.20	11	92			74.11	4.2	1.40	9.7	109	135.09	4.1	1.15	11	100	123.91	4.1	1.25	GR27 GRF27	4P	41	26	31.94	2.2	3.20	12	85	105.49	4.2	1.50	14	73	90.96	4.2	1.70	52	20	25.23	2.1	4.10	57	19	23.15	2.0	4.40	66	16	19.71	1.9	5.20	77	14	16.99	1.8	6.00	83	13	15.84	1.8	6.40	95	11	13.84	1.7	7.40	101	10	12.98	1.7	7.90	114	9.2	11.45	1.6	8.50	129	8.2	10.15	1.6	9.20	152	6.9	8.63	1.5	10	174	6.1	7.55	1.4	8.90	186	5.7	7.04	1.4	9.50	213	4.9	6.15	1.3	11	227	4.6	5.76	1.3	11	257	4.1	5.09	1.3	12	290	3.6	4.51	1.2	13	342	3.1	3.83	1.1	14	216	5.2	6.07	4.1	8.60	253	4.4	5.18	3.8	17	289	3.9	4.53	3.7	22	305	3.7	4.30	3.6	22	238	4.7	5.50	3.2	8.50	258	4.3	5.07	3.1	8.60	301	3.7	4.35	3.0	19	346	3.2	3.79	2.8	22	369	3.0	3.55	2.8	24	417	2.7	3.14	2.7	25	450	2.5	2.91	2.6	28	496	2.3	2.64	2.5	31	553	2.0	2.37	2.4	35	642
23	45	55.87	4.1	2.80	27	39	48.17	3.9	3.20	29	36			44.90	3.8	3.50	5.8	179	227	3.9	0.80	GR27R17 GRF27R17	4P	10	101	81.64			1.3	0.80	GR17 GRF17	6P*	6.5					160			203	4.0		0.85	7.3		141			179			4.1	1.00	8.4	123	156	4.1	1.10	12	87	70.39	1.4	0.95	13	81	65.61	1.8	1.00	15	71	57.35	2.3	1.15	16	67	53.76	2.4	1.25	4.4	250	195.24	12	3.30	GR77 GRF77	6P*	18			59			47.44	2.4			1.40	5.1	213	166.59	12	3.90	5.8	187	145.67	12	4.40	4.3	256	199.81	10	2.40	6.2	176	137.67	10	3.40	GR67 GRF67	6P*	16	66	81.64							2.4	1.25	7.5	90	113.94	10	4.10	6.6	166	128.97	10	3.70	7.1	153	184.07	10	3.90	6.6	166	199.81	10	3.60	GR67 GRF67	4P	19		57	70.39		2.4	1.45	7.1	153	184.07	10			3.90	4.5	239	186.89	7.4			1.90	GR57 GRF57	6P*			20			53	65.61	2.4	1.55	4.9	221	172.17	7.4	2.00	5.7	189	147.92	7.5	2.40	6.6	165	128.77	7.5	2.70	7.0	155	120.63	7.5	2.90	8.0	137	106.58	7.6	3.30	8.6	127	98.99	7.6	3.60	7.0	155	186.89	7.5	2.90			7.6	143	172.17	7.5	3.20			GR57 GRF57	4P	23			46	57.35	2.4	1.80	8.9	123	147.92	7.6	3.70	10.2	107	128.77	7.6	4.20	4.8	227	176.88	5.5	1.35	5.2	209	162.94	5.5	1.45	GR47 GRF47	6P*			24			43	53.76	2.4	1.90	6.1	179	139.99	5.6			1.70	7.0	156	121.87	5.7	1.95	7.4			147	176.88	5.7	2.00	GR47 GRF47			4P	28	38	47.44	2.4	2.20	8.0	135	162.94	5.7	2.20	9.4	116	139.99	5.8	2.60	11	101	121.87	5.8	3.00	11	95	114.17	5.8	3.20	13	84	100.86	5.8	3.60			14	78	93.68	5.8	3.90	6.3	167	134.82	5.0			1.15	6.9	153	123.66			5.1	1.25	GR37 GRF37			6P*	30	36	44.18	2.4	2.30	8.1	131	105.28	5.3			1.50	9.4	113	90.77	5.4	1.75	10	105	84.61	5.5	1.85			11	92	73.96	5.6	2.10	9.7	109	134.82	5.5		1.80	GR37 GRF37		4P	34	31	38.61	2.3	2.70	11	100	123.66	5.5	1.95	12	85	105.28	5.6	2.30			14	73	90.77	5.6	2.70	15	68	84.61	5.7	2.80	18	60	73.96	5.7	3.30			6.9	154	123.91	3.9	0.80	8.1	131	105.49	4.0	0.95	GR27 GRF27			6P*	36			29	36.20	2.3	2.80	9.3	113	90.96	4.1	1.10	10	105	84.78	4.1	1.20	11			92	74.11	4.2	1.40	9.7	109	135.09	4.1	1.15	11	100	123.91	4.1			1.25	GR27 GRF27	4P	41	26	31.94	2.2	3.20	12	85	105.49	4.2	1.50	14	73	90.96	4.2	1.70	52	20	25.23	2.1	4.10	57	19	23.15	2.0	4.40	66	16	19.71	1.9	5.20	77	14	16.99	1.8	6.00	83	13	15.84	1.8	6.40	95	11	13.84	1.7	7.40	101	10	12.98	1.7	7.90	114	9.2	11.45	1.6	8.50	129	8.2	10.15	1.6	9.20	152	6.9	8.63	1.5	10	174	6.1	7.55	1.4	8.90	186	5.7	7.04	1.4	9.50	213	4.9	6.15	1.3	11	227	4.6	5.76	1.3	11	257	4.1	5.09	1.3	12	290	3.6	4.51	1.2	13	342	3.1	3.83	1.1	14	216	5.2	6.07	4.1	8.60	253	4.4	5.18	3.8	17	289	3.9	4.53	3.7	22	305	3.7	4.30	3.6	22	238	4.7	5.50	3.2	8.50	258	4.3	5.07	3.1	8.60	301	3.7	4.35	3.0	19	346	3.2	3.79	2.8	22	369	3.0	3.55	2.8	24	417	2.7	3.14	2.7	25	450	2.5	2.91	2.6	28	496	2.3	2.64	2.5	31	553	2.0	2.37
27	39	48.17	3.9	3.20	29	36	44.90	3.8	3.50	5.8	179			227	3.9	0.80	GR27R17 GRF27R17	4P	10	101	81.64			1.3	0.80	GR17 GRF17			6P*	6.5			160					203	4.0	0.85	7.3	141		179	4.1		1.00			8.4			123	156	4.1	1.10	12	87	70.39	1.4	0.95	13	81	65.61	1.8	1.00	15	71	57.35	2.3	1.15	16	67	53.76	2.4	1.25	4.4	250	195.24	12	3.30	GR77 GRF77	6P*	18			59			47.44		2.4	1.40	5.1	213		166.59	12	3.90	5.8	187	145.67	12	4.40	4.3	256	199.81	10	2.40	6.2	176	137.67	10	3.40	GR67 GRF67	6P*	16			66	81.64	2.4	1.25	7.5					90	113.94	10	4.10	6.6	166	128.97	10	3.70	7.1	153	184.07	10	3.90	6.6	166	199.81	10	3.60	GR67 GRF67	4P	19			57	70.39	2.4	1.45	7.1	153	184.07	10	3.90	4.5	239			186.89	7.4	1.90	GR57 GRF57	6P*			20					53			65.61	2.4	1.55	4.9	221	172.17	7.4	2.00	5.7	189	147.92	7.5	2.40	6.6	165	128.77	7.5	2.70	7.0	155	120.63	7.5	2.90	8.0	137	106.58	7.6	3.30	8.6	127	98.99	7.6	3.60	7.0	155	186.89	7.5	2.90	7.6	143	172.17	7.5	3.20	GR57 GRF57	4P	23					46			57.35	2.4	1.80	8.9	123	147.92	7.6	3.70	10.2	107	128.77	7.6	4.20	4.8	227	176.88	5.5	1.35	5.2	209	162.94	5.5	1.45	GR47 GRF47					6P*	24	43	53.76	2.4	1.90	6.1	179	139.99	5.6	1.70			7.0	156	121.87	5.7	1.95	7.4	147			176.88	5.7	2.00	GR47 GRF47					4P	28	38	47.44	2.4	2.20	8.0	135	162.94	5.7	2.20	9.4	116	139.99	5.8	2.60	11	101	121.87	5.8	3.00	11	95	114.17	5.8	3.20	13	84	100.86	5.8	3.60	14	78	93.68	5.8	3.90	6.3	167	134.82	5.0	1.15			6.9	153	123.66	5.1			1.25	GR37 GRF37					6P*	30	36	44.18	2.4	2.30	8.1	131	105.28			5.3	1.50	9.4	113	90.77	5.4	1.75	10	105	84.61	5.5			1.85	11	92	73.96	5.6	2.10	9.7	109	134.82		5.5				1.80	GR37 GRF37	4P	34	31	38.61	2.3	2.70	11	100	123.66	5.5	1.95	12	85	105.28	5.6	2.30	14	73	90.77	5.6	2.70	15	68	84.61	5.7	2.80	18	60	73.96	5.7			3.30	6.9	154	123.91	3.9	0.80	8.1	131	105.49	4.0					0.95	GR27 GRF27	6P*	36	29	36.20	2.3	2.80	9.3	113	90.96	4.1	1.10	10	105	84.78	4.1	1.20			11	92	74.11	4.2	1.40	9.7	109	135.09	4.1	1.15	11	100	123.91			4.1			1.25	GR27 GRF27	4P	41	26	31.94	2.2	3.20	12	85	105.49	4.2	1.50	14	73	90.96	4.2	1.70	52	20	25.23	2.1	4.10	57	19	23.15	2.0	4.40	66	16	19.71	1.9	5.20	77	14	16.99	1.8	6.00	83	13	15.84	1.8	6.40	95	11	13.84	1.7	7.40	101	10	12.98	1.7	7.90	114	9.2	11.45	1.6	8.50	129	8.2	10.15	1.6	9.20	152	6.9	8.63	1.5	10	174	6.1	7.55	1.4	8.90	186	5.7	7.04	1.4	9.50	213	4.9	6.15	1.3	11	227	4.6	5.76	1.3	11	257	4.1	5.09	1.3	12	290	3.6	4.51	1.2	13	342	3.1	3.83	1.1	14	216	5.2	6.07	4.1	8.60	253	4.4	5.18	3.8	17	289	3.9	4.53	3.7	22	305	3.7	4.30	3.6	22	238	4.7	5.50	3.2	8.50	258	4.3	5.07	3.1	8.60	301	3.7	4.35	3.0	19	346	3.2	3.79	2.8	22	369	3.0	3.55	2.8	24	417	2.7	3.14	2.7	25	450	2.5	2.91	2.6	28	496	2.3	2.64	2.5	31
29	36	44.90	3.8	3.50	5.8	179	227	3.9	0.80	GR27R17 GRF27R17	4P			10	101	81.64			1.3	0.80	GR17 GRF17			6P*	6.5					160			203	4.0	0.85			7.3	141	179	4.1	1.00		8.4	123		156			4.1	1.10	12	87	70.39	1.4	0.95	13	81	65.61	1.8	1.00	15	71	57.35	2.3	1.15	16	67	53.76	2.4	1.25	4.4	250	195.24	12	3.30	GR77 GRF77	6P*	18	59	47.44			2.4			1.40			5.1	213	166.59	12	3.90	5.8	187	145.67	12	4.40	4.3	256	199.81	10	2.40	6.2	176	137.67	10	3.40	GR67 GRF67	6P*	16	66	81.64			2.4			1.25	7.5	90	113.94	10		4.10	6.6		166	128.97	10	3.70	7.1	153	184.07	10	3.90	6.6	166	199.81	10	3.60	GR67 GRF67	4P	19	57	70.39			2.4	1.45	7.1	153	184.07	10	3.90	4.5	239	186.89	7.4	1.90	GR57 GRF57	6P*			20	53	65.61					2.4					1.55			4.9	221	172.17	7.4	2.00	5.7	189	147.92	7.5	2.40	6.6	165	128.77	7.5	2.70	7.0	155	120.63	7.5	2.90	8.0	137	106.58	7.6	3.30	8.6	127	98.99	7.6	3.60	7.0	155	186.89	7.5	2.90	7.6	143	172.17	7.5	3.20	GR57 GRF57	4P	23			46	57.35	2.4			1.80			8.9	123	147.92	7.6	3.70	10.2	107	128.77	7.6	4.20	4.8	227	176.88	5.5	1.35	5.2	209	162.94	5.5	1.45	GR47 GRF47	6P*	24		43	53.76				2.4	1.90	6.1	179	139.99	5.6	1.70	7.0	156	121.87			5.7	1.95	7.4	147	176.88	5.7	2.00			GR47 GRF47	4P	28							38	47.44	2.4	2.20	8.0	135	162.94	5.7	2.20	9.4	116	139.99	5.8	2.60	11	101	121.87	5.8	3.00	11	95	114.17	5.8	3.20	13	84	100.86	5.8	3.60	14	78	93.68	5.8	3.90	6.3	167	134.82	5.0	1.15	6.9	153	123.66	5.1	1.25	GR37 GRF37	6P*			30							36	44.18	2.4	2.30	8.1	131	105.28	5.3			1.50	9.4	113	90.77	5.4	1.75	10	105	84.61	5.5	1.85			11	92	73.96	5.6	2.10	9.7	109	134.82	5.5		1.80				GR37 GRF37			4P	34	31	38.61	2.3	2.70	11	100	123.66	5.5	1.95	12	85	105.28	5.6	2.30	14	73	90.77	5.6	2.70	15	68	84.61	5.7	2.80	18	60	73.96	5.7	3.30	6.9	154	123.91	3.9	0.80	8.1	131	105.49	4.0	0.95					GR27 GRF27			6P*	36	29	36.20	2.3	2.80	9.3	113	90.96	4.1	1.10	10	105	84.78	4.1	1.20	11	92	74.11	4.2	1.40	9.7	109	135.09	4.1	1.15	11	100	123.91	4.1			1.25			GR27 GRF27			4P	41	26	31.94	2.2	3.20	12	85	105.49	4.2	1.50	14	73	90.96	4.2	1.70	52	20	25.23	2.1	4.10	57	19	23.15	2.0	4.40	66	16	19.71	1.9	5.20	77	14	16.99	1.8	6.00	83	13	15.84	1.8	6.40	95	11	13.84	1.7	7.40	101	10	12.98	1.7	7.90	114	9.2	11.45	1.6	8.50	129	8.2	10.15	1.6	9.20	152	6.9	8.63	1.5	10	174	6.1	7.55	1.4	8.90	186	5.7	7.04	1.4	9.50	213	4.9	6.15	1.3	11	227	4.6	5.76	1.3	11	257	4.1	5.09	1.3	12	290	3.6	4.51	1.2	13	342	3.1	3.83	1.1	14	216	5.2	6.07	4.1	8.60	253	4.4	5.18	3.8	17	289	3.9	4.53	3.7	22	305	3.7	4.30	3.6	22	238	4.7	5.50	3.2	8.50	258	4.3	5.07	3.1	8.60	301	3.7	4.35	3.0	19	346	3.2	3.79	2.8	22	369	3.0	3.55	2.8	24	417	2.7	3.14	2.7	25	450	2.5	2.91	2.6	28	496	2.3	2.64	2.5
5.8	179	227	3.9	0.80	GR27R17 GRF27R17	4P	10	101	81.64			1.3	0.80	GR17 GRF17	6P*																																																																																																																																																																																																																																																																																																																																																																																																																																																																																																																																																																																																																																										
6.5	160	203	4.0	0.85			7.3	141	179			4.1	1.00			8.4			123	156		4.1	1.10		12		87	70.39		1.4			0.95	13	81			65.61	1.8	1.00	15	71	57.35	2.3	1.15	16	67	53.76	2.4	1.25	4.4	250	195.24	12	3.30	GR77 GRF77	6P*	18	59	47.44	2.4	1.40	5.1	213	166.59	12	3.90	5.8	187	145.67	12	4.40	4.3	256	199.81	10			2.40	6.2	176			137.67	10	3.40	GR67 GRF67	6P*	16	66	81.64	2.4	1.25	7.5	90	113.94	10	4.10	6.6	166	128.97	10	3.70	7.1	153	184.07	10	3.90	6.6			166	199.81	10			3.60	GR67 GRF67	4P	19	57	70.39	2.4	1.45	7.1	153	184.07	10	3.90	4.5	239	186.89	7.4	1.90	GR57 GRF57	6P*	20	53	65.61	2.4	1.55	4.9	221	172.17	7.4	2.00	5.7	189	147.92	7.5	2.40	6.6	165	128.77	7.5	2.70	7.0	155	120.63	7.5	2.90			8.0	137	106.58	7.6	3.30					8.6					127			98.99	7.6	3.60	7.0	155	186.89	7.5	2.90	7.6	143	172.17	7.5	3.20	GR57 GRF57	4P	23	46	57.35	2.4	1.80	8.9	123	147.92	7.6	3.70	10.2	107	128.77	7.6	4.20	4.8	227	176.88	5.5	1.35	5.2	209	162.94	5.5	1.45			GR47 GRF47			6P*	24	43	53.76	2.4	1.90	6.1	179	139.99	5.6	1.70	7.0	156	121.87	5.7	1.95	7.4	147	176.88	5.7	2.00	GR47 GRF47	4P	28	38	47.44	2.4	2.20	8.0	135	162.94	5.7	2.20	9.4	116	139.99	5.8	2.60	11	101	121.87	5.8	3.00	11	95	114.17	5.8			3.20	13	84	100.86	5.8	3.60	14					78							93.68	5.8	3.90	6.3	167	134.82	5.0	1.15	6.9	153	123.66	5.1	1.25	GR37 GRF37	6P*	30	36	44.18	2.4	2.30	8.1	131	105.28	5.3	1.50	9.4	113	90.77	5.4	1.75	10	105	84.61	5.5	1.85	11	92	73.96	5.6	2.10	9.7	109	134.82	5.5			1.80	GR37 GRF37	4P		34	31	38.61	2.3		2.70	11	100	123.66	5.5	1.95	12	85			105.28	5.6	2.30	14	73	90.77	5.6	2.70	15	68	84.61			5.7	2.80	18	60	73.96	5.7	3.30	6.9	154		123.91								3.9	0.80	8.1	131	105.49	4.0	0.95	GR27 GRF27	6P*	36	29	36.20	2.3	2.80	9.3	113	90.96	4.1	1.10	10	105	84.78	4.1	1.20	11	92	74.11	4.2	1.40	9.7	109	135.09	4.1	1.15	11	100	123.91	4.1	1.25	GR27 GRF27	4P	41	26	31.94					2.2	3.20	12	85	105.49	4.2	1.50	14	73	90.96	4.2	1.70	52	20	25.23	2.1	4.10	57	19	23.15	2.0	4.40	66	16	19.71	1.9	5.20	77	14	16.99	1.8	6.00	83	13					15.84	1.8	6.40	95	11	13.84	1.7	7.40	101	10	12.98	1.7	7.90	114	9.2	11.45	1.6	8.50	129	8.2	10.15	1.6	9.20	152	6.9	8.63	1.5	10	174	6.1	7.55	1.4	8.90	186	5.7	7.04	1.4	9.50	213	4.9	6.15	1.3	11	227	4.6	5.76	1.3	11	257	4.1	5.09	1.3	12	290	3.6	4.51	1.2	13	342	3.1	3.83	1.1	14	216	5.2	6.07	4.1	8.60	253	4.4	5.18	3.8	17	289	3.9	4.53	3.7	22	305	3.7	4.30	3.6	22	238	4.7	5.50	3.2	8.50	258	4.3	5.07	3.1	8.60	301	3.7	4.35	3.0	19	346	3.2	3.79	2.8	22	369	3.0	3.55	2.8	24	417	2.7	3.14	2.7	25	450	2.5	2.91	2.6	28	496	2.3	2.64	2.5	31	553	2.0	2.37	2.4	35	642	1.7	2.04	2.3	41	682	1.6	1.92	2.3	43	794	1.4	1.65	2.1	49																
7.3	141	179	4.1	1.00			8.4	123	156			4.1	1.10			12	87	70.39	1.4	0.95		13	81		65.61		1.8	1.00		15			71	57.35	2.3	1.15	16	67	53.76	2.4	1.25	4.4	250	195.24	12	3.30	GR77 GRF77	6P*	18	59	47.44	2.4	1.40	5.1	213			166.59	12	3.90	5.8	187	145.67	12	4.40	4.3	256	199.81	10	2.40	6.2	176	137.67	10	3.40	GR67 GRF67			6P*	16	66	81.64	2.4	1.25	7.5	90			113.94	10	4.10	6.6	166	128.97	10	3.70	7.1	153	184.07	10	3.90	6.6	166	199.81	10	3.60	GR67 GRF67	4P	19			57	70.39	2.4	1.45	7.1	153			184.07	10	3.90	4.5	239	186.89	7.4	1.90	GR57 GRF57	6P*	20	53	65.61	2.4	1.55			4.9	221	172.17	7.4	2.00	5.7	189	147.92	7.5	2.40	6.6	165	128.77	7.5	2.70	7.0	155	120.63	7.5	2.90	8.0	137	106.58	7.6	3.30			8.6	127	98.99	7.6	3.60			7.0	155	186.89					7.5			2.90	7.6	143	172.17	7.5	3.20	GR57 GRF57	4P	23	46	57.35	2.4	1.80			8.9	123	147.92	7.6	3.70	10.2	107	128.77	7.6	4.20	4.8	227	176.88	5.5	1.35	5.2	209	162.94	5.5	1.45	GR47 GRF47	6P*	24	43	53.76				2.4	1.90		6.1	179	139.99	5.6	1.70	7.0	156	121.87	5.7	1.95	7.4	147	176.88	5.7	2.00	GR47 GRF47	4P	28	38	47.44			2.4	2.20	8.0	135	162.94	5.7	2.20	9.4	116	139.99	5.8	2.60	11	101	121.87	5.8	3.00	11	95	114.17	5.8	3.20	13	84	100.86	5.8	3.60	14	78	93.68	5.8	3.90	6.3					167							134.82	5.0	1.15	6.9	153	123.66	5.1	1.25	GR37 GRF37	6P*	30	36	44.18			2.4	2.30	8.1	131	105.28	5.3	1.50	9.4	113	90.77	5.4	1.75	10	105	84.61	5.5	1.85	11	92	73.96	5.6	2.10	9.7	109	134.82	5.5	1.80	GR37 GRF37	4P			34			31	38.61	2.3	2.70	11	100	123.66	5.5	1.95	12	85	105.28	5.6	2.30	14	73	90.77	5.6	2.70	15	68	84.61	5.7	2.80	18	60	73.96			5.7	3.30	6.9	154	123.91	3.9	0.80	8.1	131		105.49								4.0	0.95	GR27 GRF27	6P*	36	29	36.20			2.3	2.80	9.3	113	90.96	4.1	1.10	10	105	84.78	4.1	1.20	11	92	74.11	4.2	1.40	9.7	109	135.09	4.1	1.15	11	100	123.91	4.1	1.25	GR27 GRF27	4P	41			26	31.94	2.2		3.20	12		85	105.49	4.2	1.50	14	73	90.96	4.2	1.70	52	20	25.23	2.1	4.10	57	19	23.15	2.0	4.40	66	16	19.71	1.9	5.20	77	14	16.99	1.8	6.00	83	13	15.84	1.8	6.40		95	11		13.84	1.7	7.40	101	10	12.98	1.7	7.90	114	9.2	11.45	1.6	8.50	129	8.2	10.15	1.6	9.20	152	6.9	8.63	1.5	10	174	6.1	7.55	1.4	8.90	186	5.7	7.04	1.4	9.50	213	4.9	6.15	1.3	11	227	4.6	5.76	1.3	11	257	4.1	5.09	1.3	12	290	3.6	4.51	1.2	13	342	3.1	3.83	1.1	14	216	5.2	6.07	4.1	8.60	253	4.4	5.18	3.8	17	289	3.9	4.53	3.7	22	305	3.7	4.30	3.6	22	238	4.7	5.50	3.2	8.50	258	4.3	5.07	3.1	8.60	301	3.7	4.35	3.0	19	346	3.2	3.79	2.8	22	369	3.0	3.55	2.8	24	417	2.7	3.14	2.7	25	450	2.5	2.91	2.6	28	496	2.3	2.64	2.5	31	553	2.0	2.37	2.4	35	642	1.7	2.04	2.3	41	682	1.6	1.92	2.3	43	794	1.4	1.65	2.1	49																					
8.4	123	156	4.1	1.10			12	87	70.39	1.4	0.95	13	81			65.61	1.8	1.00	15	71		57.35	2.3		1.15		16	67		53.76	2.4	1.25	4.4	250	195.24	12	3.30	GR77 GRF77	6P*	18	59	47.44	2.4	1.40	5.1	213			166.59	12	3.90	5.8	187	145.67	12			4.40	4.3	256	199.81	10	2.40	6.2	176	137.67	10	3.40	GR67 GRF67	6P*	16	66	81.64	2.4	1.25		7.5	90		113.94	10	4.10	6.6	166	128.97	10			3.70	7.1	153	184.07	10	3.90	6.6	166	199.81	10	3.60	GR67 GRF67	4P	19	57	70.39	2.4	1.45			7.1	153	184.07	10	3.90	4.5	239	186.89	7.4	1.90	GR57 GRF57	6P*	20	53	65.61	2.4	1.55	4.9	221			172.17	7.4	2.00	5.7	189			147.92	7.5	2.40	6.6	165	128.77	7.5	2.70	7.0	155	120.63	7.5	2.90	8.0	137	106.58	7.6	3.30	8.6	127	98.99	7.6	3.60	7.0	155			186.89	7.5	2.90	7.6	143			172.17	7.5	3.20			GR57 GRF57	4P	23			46	57.35	2.4	1.80	8.9	123			147.92	7.6	3.70	10.2	107			128.77	7.6	4.20	4.8	227	176.88	5.5	1.35	5.2	209	162.94	5.5	1.45	GR47 GRF47	6P*	24	43	53.76	2.4	1.90			6.1	179	139.99	5.6	1.70	7.0	156	121.87	5.7	1.95	7.4	147	176.88	5.7	2.00	GR47 GRF47	4P	28	38	47.44	2.4	2.20	8.0	135			162.94	5.7	2.20			9.4	116	139.99	5.8	2.60	11	101	121.87	5.8	3.00	11	95	114.17	5.8	3.20	13	84	100.86	5.8	3.60	14	78	93.68	5.8	3.90	6.3	167	134.82	5.0	1.15	6.9	153	123.66	5.1	1.25			GR37 GRF37							6P*	30	36	44.18	2.4	2.30	8.1	131			105.28	5.3	1.50			9.4	113	90.77	5.4	1.75	10	105	84.61	5.5	1.85	11	92	73.96	5.6	2.10	9.7	109	134.82	5.5	1.80	GR37 GRF37	4P	34	31	38.61	2.3	2.70			11	100	123.66			5.5	1.95	12	85	105.28	5.6	2.30	14	73	90.77	5.6	2.70	15	68	84.61	5.7	2.80	18	60	73.96	5.7	3.30	6.9	154	123.91	3.9	0.80	8.1	131	105.49	4.0	0.95	GR27 GRF27	6P*	36	29	36.20	2.3		2.80								9.3	113			90.96	4.1	1.10			10	105	84.78	4.1	1.20	11	92	74.11	4.2	1.40	9.7	109	135.09	4.1	1.15	11	100	123.91	4.1	1.25	GR27 GRF27	4P	41	26	31.94	2.2	3.20			12			85	105.49	4.2	1.50	14	73	90.96	4.2	1.70	52	20	25.23	2.1	4.10	57	19	23.15	2.0	4.40	66	16	19.71	1.9	5.20	77	14	16.99	1.8	6.00	83	13	15.84	1.8	6.40	95	11	13.84	1.7	7.40	101	10	12.98	1.7	7.90	114	9.2	11.45	1.6	8.50	129	8.2	10.15	1.6	9.20	152	6.9	8.63	1.5	10	174	6.1	7.55	1.4	8.90	186	5.7	7.04	1.4	9.50	213	4.9	6.15	1.3	11	227	4.6	5.76	1.3	11	257	4.1	5.09	1.3	12	290	3.6	4.51	1.2	13	342	3.1	3.83	1.1	14	216	5.2	6.07	4.1	8.60	253	4.4	5.18	3.8	17	289	3.9	4.53	3.7	22	305	3.7	4.30	3.6	22	238	4.7	5.50	3.2	8.50	258	4.3	5.07	3.1	8.60	301	3.7	4.35	3.0	19	346	3.2	3.79	2.8	22	369	3.0	3.55	2.8	24	417	2.7	3.14	2.7	25	450	2.5	2.91	2.6	28	496	2.3	2.64	2.5	31	553	2.0	2.37	2.4	35	642	1.7	2.04	2.3	41	682	1.6	1.92	2.3	43	794	1.4	1.65	2.1	49																														
12	87	70.39	1.4	0.95	13	81	65.61	1.8	1.00	15	71	57.35	2.3			1.15	16	67	53.76	2.4		1.25	4.4		250	195.24	12	3.30	GR77 GRF77	6P*	18	59	47.44	2.4	1.40	5.1	213			166.59	12	3.90	5.8	187	145.67	12			4.40	4.3	256	199.81	10	2.40	6.2			176	137.67	10	3.40	GR67 GRF67	6P*	16	66	81.64	2.4	1.25			7.5	90	113.94	10	4.10		6.6	166		128.97	10	3.70	7.1	153	184.07	10			3.90	6.6	166	199.81	10	3.60	GR67 GRF67	4P	19	57	70.39			2.4	1.45	7.1	153	184.07	10	3.90	4.5	239	186.89	7.4	1.90	GR57 GRF57	6P*	20	53	65.61			2.4	1.55	4.9	221	172.17	7.4	2.00			5.7	189	147.92	7.5	2.40			6.6	165	128.77	7.5	2.70	7.0	155	120.63	7.5	2.90	8.0	137	106.58	7.6	3.30	8.6	127	98.99	7.6	3.60	7.0	155	186.89	7.5	2.90			7.6	143	172.17	7.5	3.20			GR57 GRF57	4P	23					46	57.35	2.4	1.80	8.9	123	147.92	7.6	3.70			10.2	107	128.77	7.6	4.20			4.8	227	176.88	5.5	1.35	5.2	209	162.94	5.5	1.45	GR47 GRF47	6P*	24			43	53.76	2.4	1.90	6.1	179	139.99	5.6	1.70	7.0	156	121.87	5.7	1.95	7.4	147	176.88	5.7	2.00	GR47 GRF47	4P	28			38	47.44	2.4	2.20	8.0	135	162.94			5.7	2.20	9.4			116	139.99	5.8	2.60	11	101	121.87	5.8	3.00	11	95	114.17	5.8	3.20	13	84	100.86	5.8	3.60	14	78	93.68	5.8	3.90	6.3	167	134.82	5.0	1.15	6.9	153	123.66	5.1	1.25	GR37 GRF37						6P*	30				36	44.18	2.4	2.30	8.1	131	105.28			5.3	1.50	9.4			113	90.77	5.4	1.75	10	105	84.61	5.5	1.85	11	92	73.96	5.6	2.10	9.7	109	134.82	5.5	1.80	GR37 GRF37			4P	34	31	38.61	2.3			2.70	11	100			123.66	5.5	1.95	12	85	105.28	5.6	2.30	14	73	90.77	5.6	2.70	15	68	84.61	5.7	2.80	18	60	73.96	5.7	3.30	6.9	154	123.91	3.9	0.80	8.1	131	105.49	4.0			0.95	GR27 GRF27	6P*	36	29	36.20		2.3						2.80	9.3			113	90.96	4.1			1.10	10	105	84.78	4.1	1.20	11	92	74.11	4.2	1.40	9.7	109	135.09	4.1	1.15	11	100	123.91	4.1			1.25	GR27 GRF27	4P	41	26			31.94			2.2	3.20	12	85	105.49	4.2	1.50	14	73	90.96	4.2	1.70	52	20	25.23	2.1	4.10	57	19	23.15	2.0	4.40	66	16	19.71	1.9	5.20	77	14	16.99	1.8	6.00	83	13	15.84	1.8	6.40	95	11	13.84	1.7	7.40	101	10	12.98	1.7	7.90	114	9.2	11.45	1.6	8.50	129	8.2	10.15	1.6	9.20	152	6.9	8.63	1.5	10	174	6.1	7.55	1.4	8.90	186	5.7	7.04	1.4	9.50	213	4.9	6.15	1.3	11	227	4.6	5.76	1.3	11	257	4.1	5.09	1.3	12	290	3.6	4.51	1.2	13	342	3.1	3.83	1.1	14	216	5.2	6.07	4.1	8.60	253	4.4	5.18	3.8	17	289	3.9	4.53	3.7	22	305	3.7	4.30	3.6	22	238	4.7	5.50	3.2	8.50	258	4.3	5.07	3.1	8.60	301	3.7	4.35	3.0	19	346	3.2	3.79	2.8	22	369	3.0	3.55	2.8	24	417	2.7	3.14	2.7	25	450	2.5	2.91	2.6	28	496	2.3	2.64	2.5	31	553	2.0	2.37	2.4	35	642	1.7	2.04	2.3	41	682	1.6	1.92	2.3	43	794	1.4	1.65	2.1	49																											
13	81	65.61	1.8	1.00	15	71	57.35	2.3	1.15	16	67	53.76	2.4			1.25	4.4	250	195.24	12	3.30	GR77 GRF77	6P*	18	59	47.44	2.4	1.40			5.1	213	166.59	12	3.90	5.8	187			145.67	12	4.40	4.3	256	199.81	10			2.40	6.2	176	137.67	10	3.40	GR67 GRF67	6P*	16	66	81.64	2.4	1.25			7.5	90	113.94	10	4.10			6.6	166	128.97	10	3.70		7.1	153		184.07	10	3.90	6.6	166	199.81	10	3.60	GR67 GRF67	4P	19	57	70.39	2.4	1.45			7.1	153	184.07	10	3.90	4.5	239	186.89	7.4	1.90	GR57 GRF57	6P*	20	53	65.61	2.4	1.55			4.9	221	172.17			7.4	2.00	5.7	189	147.92	7.5	2.40			6.6	165	128.77	7.5	2.70			7.0	155	120.63	7.5	2.90	8.0	137	106.58	7.6	3.30	8.6	127	98.99	7.6	3.60	7.0	155	186.89	7.5	2.90	7.6	143	172.17	7.5	3.20			GR57 GRF57	4P	23	46	57.35					2.4	1.80	8.9			123	147.92	7.6	3.70	10.2	107	128.77	7.6	4.20			4.8	227	176.88	5.5	1.35	5.2	209	162.94	5.5	1.45	GR47 GRF47	6P*	24	43	53.76	2.4	1.90			6.1	179	139.99	5.6	1.70	7.0	156	121.87	5.7	1.95	7.4	147	176.88	5.7	2.00	GR47 GRF47	4P	28	38	47.44	2.4	2.20			8.0			135	162.94	5.7	2.20	9.4	116	139.99			5.8	2.60	11			101	121.87	5.8	3.00	11	95	114.17	5.8	3.20	13	84	100.86	5.8	3.60	14	78	93.68	5.8	3.90	6.3	167	134.82	5.0	1.15	6.9	153	123.66	5.1	1.25	GR37 GRF37	6P*	30	36	44.18						2.4		2.30	8.1			131	105.28	5.3	1.50	9.4	113	90.77			5.4	1.75	10	105	84.61	5.5	1.85	11	92	73.96	5.6	2.10	9.7	109	134.82	5.5	1.80	GR37 GRF37	4P	34	31	38.61	2.3	2.70					11	100	123.66	5.5			1.95	12	85			105.28	5.6	2.30	14	73	90.77	5.6	2.70	15	68	84.61	5.7	2.80	18	60	73.96	5.7	3.30	6.9	154	123.91	3.9	0.80	8.1	131	105.49	4.0	0.95	GR27 GRF27	6P*	36	29			36.20			2.3	2.80	9.3	113	90.96	4.1					1.10	10			105	84.78	4.1	1.20	11	92	74.11	4.2	1.40	9.7	109	135.09	4.1	1.15	11	100	123.91	4.1	1.25	GR27 GRF27	4P	41	26	31.94	2.2			3.20			12	85			105.49	4.2	1.50	14	73	90.96	4.2	1.70	52	20	25.23	2.1	4.10	57	19	23.15	2.0	4.40	66	16	19.71	1.9	5.20	77	14	16.99	1.8	6.00	83	13	15.84	1.8	6.40	95	11	13.84	1.7	7.40	101	10	12.98	1.7	7.90	114	9.2	11.45	1.6	8.50	129	8.2	10.15	1.6	9.20	152	6.9	8.63	1.5	10	174	6.1	7.55	1.4	8.90	186	5.7	7.04	1.4	9.50	213	4.9	6.15	1.3	11	227	4.6	5.76	1.3	11	257	4.1	5.09	1.3	12	290	3.6	4.51	1.2	13	342	3.1	3.83	1.1	14	216	5.2	6.07	4.1	8.60	253	4.4	5.18	3.8	17	289	3.9	4.53	3.7	22	305	3.7	4.30	3.6	22	238	4.7	5.50	3.2	8.50	258	4.3	5.07	3.1	8.60	301	3.7	4.35	3.0	19	346	3.2	3.79	2.8	22	369	3.0	3.55	2.8	24	417	2.7	3.14	2.7	25	450	2.5	2.91	2.6	28	496	2.3	2.64	2.5	31	553	2.0	2.37	2.4	35	642	1.7	2.04	2.3	41	682	1.6	1.92	2.3	43	794	1.4	1.65	2.1	49																																		
15	71	57.35	2.3	1.15	16	67	53.76	2.4	1.25	4.4	250	195.24	12	3.30	GR77 GRF77	6P*	18	59	47.44	2.4	1.40			5.1	213	166.59	12	3.90			5.8	187	145.67	12	4.40	4.3	256			199.81	10	2.40	6.2	176	137.67	10	3.40	GR67 GRF67	6P*	16	66	81.64	2.4	1.25			7.5	90	113.94	10	4.10			6.6	166	128.97	10	3.70			7.1	153	184.07	10	3.90	6.6	166	199.81	10	3.60	GR67 GRF67	4P	19	57	70.39	2.4	1.45			7.1	153	184.07	10	3.90	4.5	239	186.89	7.4	1.90	GR57 GRF57	6P*	20	53	65.61	2.4	1.55			4.9	221	172.17	7.4	2.00			5.7	189	147.92			7.5	2.40	6.6	165	128.77	7.5	2.70			7.0	155	120.63	7.5	2.90			8.0	137	106.58	7.6	3.30	8.6	127	98.99	7.6	3.60	7.0	155	186.89	7.5	2.90	7.6	143	172.17	7.5	3.20	GR57 GRF57	4P	23	46	57.35					2.4	1.80	8.9	123	147.92			7.6	3.70	10.2			107	128.77	7.6	4.20	4.8	227	176.88	5.5	1.35	5.2	209	162.94	5.5	1.45	GR47 GRF47	6P*	24	43	53.76	2.4	1.90			6.1	179	139.99	5.6	1.70	7.0	156	121.87	5.7	1.95	7.4	147	176.88	5.7	2.00	GR47 GRF47	4P	28	38	47.44	2.4	2.20			8.0	135	162.94	5.7	2.20			9.4			116	139.99	5.8	2.60	11	101	121.87			5.8	3.00	11			95	114.17	5.8	3.20	13	84	100.86	5.8	3.60	14	78	93.68	5.8	3.90	6.3	167	134.82	5.0	1.15	6.9	153	123.66	5.1	1.25	GR37 GRF37	6P*	30	36	44.18			2.4	2.30	8.1					131	105.28		5.3	1.50	9.4		113	90.77	5.4	1.75	10	105	84.61	5.5	1.85	11	92	73.96	5.6	2.10	9.7	109	134.82	5.5	1.80	GR37 GRF37	4P	34	31	38.61	2.3	2.70			11	100	123.66	5.5	1.95					12	85	105.28	5.6			2.30	14	73			90.77	5.6	2.70	15	68	84.61	5.7	2.80	18	60	73.96	5.7	3.30	6.9	154	123.91	3.9	0.80	8.1	131	105.49	4.0	0.95	GR27 GRF27	6P*	36	29	36.20			2.3	2.80			9.3			113	90.96	4.1	1.10	10	105		84.78	4.1		1.20	11	92	74.11	4.2	1.40	9.7	109	135.09	4.1	1.15	11	100	123.91	4.1	1.25	GR27 GRF27	4P	41	26	31.94	2.2	3.20			12	85	105.49	4.2			1.50			14	73	90.96	4.2	1.70	52	20	25.23	2.1	4.10	57	19	23.15	2.0	4.40	66	16	19.71	1.9	5.20	77	14	16.99	1.8	6.00	83	13	15.84	1.8	6.40	95	11	13.84	1.7	7.40	101	10	12.98	1.7	7.90	114	9.2	11.45	1.6	8.50	129	8.2	10.15	1.6	9.20	152	6.9	8.63	1.5	10	174	6.1	7.55	1.4	8.90	186	5.7	7.04	1.4	9.50	213	4.9	6.15	1.3	11	227	4.6	5.76	1.3	11	257	4.1	5.09	1.3	12	290	3.6	4.51	1.2	13	342	3.1	3.83	1.1	14	216	5.2	6.07	4.1	8.60	253	4.4	5.18	3.8	17	289	3.9	4.53	3.7	22	305	3.7	4.30	3.6	22	238	4.7	5.50	3.2	8.50	258	4.3	5.07	3.1	8.60	301	3.7	4.35	3.0	19	346	3.2	3.79	2.8	22	369	3.0	3.55	2.8	24	417	2.7	3.14	2.7	25	450	2.5	2.91	2.6	28	496	2.3	2.64	2.5	31	553	2.0	2.37	2.4	35	642	1.7	2.04	2.3	41	682	1.6	1.92	2.3	43	794	1.4	1.65	2.1	49																																									
16	67	53.76	2.4	1.25	4.4	250	195.24	12	3.30	GR77 GRF77	6P*	18	59	47.44			2.4	1.40	5.1	213	166.59			12	3.90	5.8	187	145.67			12	4.40	4.3	256	199.81	10	2.40	6.2	176	137.67	10	3.40	GR67 GRF67	6P*	16	66	81.64			2.4	1.25	7.5	90	113.94			10	4.10	6.6	166	128.97			10	3.70	7.1	153	184.07	10	3.90	6.6	166	199.81	10	3.60	GR67 GRF67	4P	19	57	70.39			2.4	1.45	7.1	153	184.07	10	3.90	4.5	239	186.89	7.4	1.90	GR57 GRF57	6P*	20	53	65.61			2.4	1.55	4.9	221	172.17			7.4	2.00	5.7	189	147.92			7.5	2.40	6.6			165	128.77	7.5	2.70	7.0	155	120.63			7.5	2.90	8.0	137	106.58			7.6	3.30	8.6	127	98.99	7.6	3.60	7.0	155	186.89	7.5	2.90	7.6	143	172.17	7.5	3.20	GR57 GRF57	4P	23			46	57.35	2.4	1.80	8.9			123	147.92	7.6	3.70	10.2			107	128.77	7.6	4.20	4.8	227	176.88	5.5	1.35	5.2	209	162.94	5.5	1.45	GR47 GRF47	6P*	24	43	53.76			2.4	1.90	6.1	179	139.99	5.6	1.70	7.0	156	121.87	5.7	1.95	7.4	147	176.88	5.7	2.00	GR47 GRF47	4P	28	38	47.44			2.4	2.20	8.0	135	162.94			5.7	2.20	9.4	116	139.99			5.8			2.60	11	101	121.87	5.8	3.00	11			95	114.17	5.8			3.20	13	84	100.86	5.8	3.60	14	78	93.68	5.8	3.90	6.3	167	134.82	5.0	1.15	6.9	153	123.66	5.1	1.25	GR37 GRF37	6P*	30			36	44.18	2.4			2.30	8.1	131		105.28	5.3	1.50	9.4	113		90.77	5.4	1.75	10	105	84.61	5.5	1.85	11	92	73.96	5.6	2.10	9.7	109	134.82	5.5	1.80	GR37 GRF37	4P	34	31	38.61			2.3	2.70	11	100	123.66			5.5	1.95	12	85	105.28					5.6	2.30	14	73			90.77	5.6	2.70			15	68	84.61	5.7	2.80	18	60	73.96	5.7	3.30	6.9	154	123.91	3.9	0.80	8.1	131	105.49	4.0	0.95	GR27 GRF27	6P*	36			29	36.20	2.3			2.80	9.3	113	90.96	4.1			1.10	10	105	84.78	4.1	1.20	11	92	74.11	4.2	1.40	9.7	109	135.09	4.1	1.15	11	100	123.91	4.1	1.25	GR27 GRF27	4P	41	26	31.94			2.2	3.20	12	85	105.49			4.2	1.50	14	73	90.96	4.2	1.70			52	20	25.23	2.1	4.10	57	19	23.15	2.0	4.40	66	16	19.71	1.9	5.20	77	14	16.99	1.8	6.00	83	13	15.84	1.8	6.40	95	11	13.84	1.7	7.40	101	10	12.98	1.7	7.90	114	9.2	11.45	1.6	8.50	129	8.2	10.15	1.6	9.20	152	6.9	8.63	1.5	10	174	6.1	7.55	1.4	8.90	186	5.7	7.04	1.4	9.50	213	4.9	6.15	1.3	11	227	4.6	5.76	1.3	11	257	4.1	5.09	1.3	12	290	3.6	4.51	1.2	13	342	3.1	3.83	1.1	14	216	5.2	6.07	4.1	8.60	253	4.4	5.18	3.8	17	289	3.9	4.53	3.7	22	305	3.7	4.30	3.6	22	238	4.7	5.50	3.2	8.50	258	4.3	5.07	3.1	8.60	301	3.7	4.35	3.0	19	346	3.2	3.79	2.8	22	369	3.0	3.55	2.8	24	417	2.7	3.14	2.7	25	450	2.5	2.91	2.6	28	496	2.3	2.64	2.5	31	553	2.0	2.37	2.4	35	642	1.7	2.04	2.3	41	682	1.6	1.92	2.3	43	794	1.4	1.65	2.1	49																																														
4.4	250	195.24	12	3.30	GR77 GRF77	6P*	18	59	47.44			2.4	1.40	5.1			213	166.59	12	3.90	5.8			187	145.67	12	4.40	4.3	256	199.81	10	2.40	6.2	176	137.67	10	3.40	GR67 GRF67	6P*	16	66	81.64			2.4	1.25	7.5			90	113.94	10	4.10	6.6			166	128.97	10	3.70	7.1	153	184.07	10	3.90	6.6	166	199.81	10	3.60	GR67 GRF67	4P	19	57	70.39			2.4	1.45	7.1	153	184.07	10	3.90	4.5	239	186.89	7.4	1.90	GR57 GRF57	6P*	20	53	65.61			2.4	1.55	4.9			221	172.17	7.4	2.00	5.7			189	147.92	7.5	2.40	6.6			165	128.77	7.5			2.70	7.0	155	120.63	7.5	2.90	8.0			137	106.58	7.6	3.30	8.6			127	98.99	7.6	3.60	7.0	155	186.89	7.5	2.90	7.6	143	172.17	7.5	3.20	GR57 GRF57	4P	23			46			57.35	2.4	1.80	8.9	123			147.92	7.6	3.70	10.2	107	128.77	7.6	4.20	4.8	227	176.88	5.5	1.35	5.2	209	162.94	5.5	1.45	GR47 GRF47	6P*	24			43	53.76	2.4	1.90	6.1	179	139.99	5.6	1.70	7.0	156	121.87	5.7	1.95	7.4	147	176.88	5.7	2.00	GR47 GRF47	4P	28			38	47.44	2.4			2.20	8.0	135	162.94	5.7			2.20	9.4	116	139.99	5.8			2.60			11	101	121.87	5.8	3.00	11	95			114.17	5.8	3.20			13	84	100.86	5.8	3.60	14	78	93.68	5.8	3.90	6.3	167	134.82	5.0	1.15	6.9	153	123.66	5.1	1.25	GR37 GRF37			6P*			30	36	44.18			2.4	2.30	8.1	131	105.28	5.3	1.50	9.4	113	90.77	5.4	1.75	10	105	84.61	5.5	1.85	11	92	73.96	5.6	2.10	9.7	109	134.82	5.5	1.80	GR37 GRF37			4P	34	31			38.61	2.3	2.70	11	100			123.66	5.5	1.95	12	85					105.28	5.6	2.30	14			73	90.77	5.6			2.70	15	68	84.61	5.7	2.80	18	60	73.96	5.7	3.30	6.9	154	123.91	3.9	0.80	8.1	131	105.49	4.0			0.95			GR27 GRF27	6P*	36			29	36.20	2.3	2.80	9.3	113	90.96	4.1	1.10	10	105	84.78	4.1	1.20	11	92	74.11	4.2	1.40	9.7	109	135.09	4.1	1.15	11	100	123.91	4.1			1.25	GR27 GRF27	4P			41	26	31.94	2.2	3.20			12	85	105.49	4.2	1.50	14	73	90.96	4.2	1.70	52	20	25.23	2.1	4.10	57	19	23.15	2.0	4.40	66	16	19.71	1.9	5.20	77	14	16.99	1.8	6.00	83	13	15.84	1.8	6.40	95	11	13.84	1.7	7.40	101	10	12.98	1.7	7.90	114	9.2	11.45	1.6	8.50	129	8.2	10.15	1.6	9.20	152	6.9	8.63	1.5	10	174	6.1	7.55	1.4	8.90	186	5.7	7.04	1.4	9.50	213	4.9	6.15	1.3	11	227	4.6	5.76	1.3	11	257	4.1	5.09	1.3	12	290	3.6	4.51	1.2	13	342	3.1	3.83	1.1	14	216	5.2	6.07	4.1	8.60	253	4.4	5.18	3.8	17	289	3.9	4.53	3.7	22	305	3.7	4.30	3.6	22	238	4.7	5.50	3.2	8.50	258	4.3	5.07	3.1	8.60	301	3.7	4.35	3.0	19	346	3.2	3.79	2.8	22	369	3.0	3.55	2.8	24	417	2.7	3.14	2.7	25	450	2.5	2.91	2.6	28	496	2.3	2.64	2.5	31	553	2.0	2.37	2.4	35	642	1.7	2.04	2.3	41	682	1.6	1.92	2.3	43	794	1.4	1.65	2.1	49																																													
5.1	213	166.59	12	3.90			5.8	187	145.67			12	4.40	4.3			256	199.81	10	2.40	6.2	176	137.67	10	3.40	GR67 GRF67	6P*	16	66	81.64	2.4	1.25	7.5	90	113.94	10	4.10			6.6	166	128.97			10	3.70	7.1			153	184.07	10	3.90	6.6	166	199.81	10	3.60	GR67 GRF67	4P	19	57	70.39	2.4	1.45	7.1	153	184.07	10	3.90			4.5	239	186.89	7.4	1.90	GR57 GRF57	6P*	20	53	65.61	2.4	1.55	4.9	221	172.17	7.4	2.00			5.7	189	147.92			7.5	2.40	6.6			165	128.77	7.5	2.70	7.0			155	120.63	7.5	2.90	8.0			137	106.58	7.6			3.30	8.6	127	98.99	7.6	3.60	7.0			155	186.89	7.5	2.90	7.6	143	172.17	7.5	3.20	GR57 GRF57	4P	23	46	57.35	2.4	1.80	8.9	123	147.92	7.6	3.70			10.2			107			128.77	7.6	4.20	4.8	227	176.88	5.5	1.35	5.2	209	162.94	5.5	1.45	GR47 GRF47	6P*	24	43	53.76	2.4	1.90	6.1	179	139.99	5.6	1.70			7.0	156	121.87	5.7	1.95	7.4	147	176.88	5.7	2.00	GR47 GRF47	4P	28	38	47.44	2.4	2.20	8.0	135	162.94	5.7	2.20			9.4			116	139.99	5.8			2.60	11	101	121.87	5.8			3.00	11	95	114.17	5.8			3.20			13	84	100.86	5.8	3.60	14	78			93.68	5.8	3.90	6.3	167	134.82	5.0	1.15	6.9	153	123.66	5.1	1.25	GR37 GRF37	6P*	30	36	44.18	2.4	2.30	8.1	131	105.28	5.3	1.50							9.4	113	90.77	5.4	1.75	10	105	84.61	5.5	1.85	11	92	73.96	5.6	2.10	9.7	109	134.82	5.5	1.80	GR37 GRF37	4P	34	31	38.61	2.3	2.70	11	100	123.66	5.5	1.95					12	85			105.28	5.6	2.30	14	73			90.77	5.6	2.70	15	68					84.61	5.7	2.80	18			60	73.96	5.7	3.30	6.9	154	123.91	3.9	0.80	8.1	131	105.49	4.0	0.95	GR27 GRF27	6P*	36	29	36.20	2.3	2.80	9.3	113	90.96	4.1			1.10					10	105	84.78	4.1	1.20	11	92	74.11	4.2	1.40	9.7	109	135.09	4.1	1.15	11	100	123.91	4.1	1.25	GR27 GRF27	4P	41	26	31.94	2.2	3.20	12	85	105.49	4.2			1.50					14	73	90.96	4.2	1.70	52	20	25.23	2.1	4.10	57	19	23.15	2.0	4.40	66	16	19.71	1.9	5.20	77	14	16.99	1.8	6.00	83	13	15.84	1.8	6.40	95	11	13.84	1.7	7.40	101	10	12.98	1.7	7.90	114	9.2	11.45	1.6	8.50	129	8.2	10.15	1.6	9.20	152	6.9	8.63	1.5	10	174	6.1	7.55	1.4	8.90	186	5.7	7.04	1.4	9.50	213	4.9	6.15	1.3	11	227	4.6	5.76	1.3	11	257	4.1	5.09	1.3	12	290	3.6	4.51	1.2	13	342	3.1	3.83	1.1	14	216	5.2	6.07	4.1	8.60	253	4.4	5.18	3.8	17	289	3.9	4.53	3.7	22	305	3.7	4.30	3.6	22	238	4.7	5.50	3.2	8.50	258	4.3	5.07	3.1	8.60	301	3.7	4.35	3.0	19	346	3.2	3.79	2.8	22	369	3.0	3.55	2.8	24	417	2.7	3.14	2.7	25	450	2.5	2.91	2.6	28	496	2.3	2.64	2.5	31	553	2.0	2.37	2.4	35	642	1.7	2.04	2.3	41	682	1.6	1.92	2.3	43	794	1.4	1.65	2.1	49																																																									
5.8	187	145.67	12	4.40			4.3	256	199.81			10	2.40	6.2	176	137.67	10	3.40	GR67 GRF67	6P*	16	66	81.64	2.4	1.25			7.5	90	113.94	10	4.10	6.6	166	128.97	10	3.70			7.1	153	184.07			10	3.90	6.6	166	199.81	10	3.60	GR67 GRF67	4P	19	57	70.39	2.4	1.45			7.1	153	184.07	10	3.90	4.5	239	186.89	7.4	1.90	GR57 GRF57	6P*	20	53	65.61	2.4	1.55			4.9	221	172.17	7.4	2.00	5.7	189	147.92	7.5	2.40			6.6	165	128.77			7.5	2.70	7.0			155	120.63	7.5	2.90	8.0			137	106.58	7.6	3.30	8.6			127	98.99	7.6			3.60	7.0	155	186.89	7.5	2.90	7.6	143	172.17	7.5	3.20	GR57 GRF57	4P	23	46	57.35	2.4	1.80			8.9	123	147.92	7.6	3.70	10.2	107	128.77	7.6	4.20			4.8			227	176.88	5.5	1.35	5.2	209	162.94	5.5	1.45	GR47 GRF47	6P*	24	43	53.76	2.4	1.90			6.1	179	139.99	5.6	1.70	7.0	156	121.87	5.7	1.95	7.4	147	176.88	5.7	2.00	GR47 GRF47	4P	28	38	47.44	2.4	2.20			8.0	135	162.94	5.7	2.20	9.4	116	139.99	5.8	2.60			11			101	121.87	5.8			3.00	11	95	114.17	5.8			3.20	13	84	100.86	5.8			3.60			14	78	93.68	5.8	3.90	6.3	167	134.82	5.0	1.15	6.9	153	123.66	5.1	1.25	GR37 GRF37	6P*	30	36	44.18	2.4	2.30			8.1	131	105.28	5.3	1.50	9.4	113	90.77	5.4	1.75					10	105	84.61	5.5	1.85	11	92	73.96	5.6	2.10	9.7	109	134.82	5.5	1.80	GR37 GRF37	4P	34	31	38.61	2.3	2.70			11	100	123.66	5.5	1.95	12	85	105.28	5.6	2.30					14	73			90.77	5.6	2.70	15	68			84.61	5.7	2.80	18	60					73.96	5.7	3.30	6.9	154	123.91	3.9	0.80	8.1	131	105.49	4.0	0.95	GR27 GRF27	6P*	36	29	36.20	2.3	2.80			9.3	113	90.96	4.1	1.10	10	105	84.78	4.1			1.20	11	92			74.11	4.2	1.40	9.7	109	135.09	4.1	1.15	11	100	123.91	4.1	1.25	GR27 GRF27	4P	41	26	31.94	2.2	3.20			12	85	105.49	4.2	1.50	14	73	90.96	4.2			1.70			52	20	25.23	2.1	4.10	57	19	23.15	2.0	4.40	66	16	19.71	1.9	5.20	77	14	16.99	1.8	6.00	83	13	15.84	1.8	6.40	95	11	13.84	1.7	7.40	101	10	12.98	1.7	7.90	114	9.2	11.45	1.6	8.50	129	8.2	10.15	1.6	9.20	152	6.9	8.63	1.5	10	174	6.1	7.55	1.4	8.90	186	5.7	7.04	1.4	9.50	213	4.9	6.15	1.3	11	227	4.6	5.76	1.3	11	257	4.1	5.09	1.3	12	290	3.6	4.51	1.2	13	342	3.1	3.83	1.1	14	216	5.2	6.07	4.1	8.60	253	4.4	5.18	3.8	17	289	3.9	4.53	3.7	22	305	3.7	4.30	3.6	22	238	4.7	5.50	3.2	8.50	258	4.3	5.07	3.1	8.60	301	3.7	4.35	3.0	19	346	3.2	3.79	2.8	22	369	3.0	3.55	2.8	24	417	2.7	3.14	2.7	25	450	2.5	2.91	2.6	28	496	2.3	2.64	2.5	31	553	2.0	2.37	2.4	35	642	1.7	2.04	2.3	41	682	1.6	1.92	2.3	43	794	1.4	1.65	2.1	49																																																																
4.3	256	199.81	10	2.40			6.2	176	137.67	10	3.40	GR67 GRF67	6P*	16	66	81.64	2.4	1.25			7.5	90	113.94	10	4.10			6.6	166	128.97	10	3.70	7.1	153	184.07	10	3.90			6.6	166	199.81	10	3.60	GR67 GRF67	4P	19	57	70.39	2.4	1.45			7.1	153	184.07	10	3.90	4.5	239	186.89	7.4	1.90	GR57 GRF57	6P*	20	53	65.61	2.4	1.55			4.9	221	172.17	7.4	2.00			5.7	189	147.92	7.5	2.40	6.6	165	128.77	7.5	2.70			7.0	155	120.63			7.5	2.90	8.0			137	106.58	7.6	3.30	8.6			127	98.99	7.6	3.60	7.0			155	186.89	7.5	2.90	7.6	143	172.17	7.5	3.20	GR57 GRF57	4P	23	46	57.35	2.4	1.80			8.9	123	147.92	7.6	3.70			10.2	107	128.77	7.6	4.20	4.8	227	176.88	5.5	1.35			5.2	209	162.94	5.5	1.45	GR47 GRF47	6P*	24	43	53.76	2.4	1.90			6.1	179	139.99	5.6	1.70	7.0	156	121.87	5.7	1.95	7.4	147	176.88	5.7	2.00	GR47 GRF47	4P	28	38	47.44	2.4	2.20			8.0	135	162.94	5.7	2.20			9.4	116	139.99	5.8	2.60	11	101	121.87	5.8	3.00			11			95	114.17	5.8			3.20	13	84	100.86	5.8			3.60	14	78	93.68	5.8			3.90	6.3	167	134.82	5.0	1.15	6.9	153	123.66	5.1	1.25	GR37 GRF37	6P*	30	36	44.18	2.4	2.30			8.1	131	105.28	5.3	1.50			9.4	113	90.77	5.4	1.75	10	105	84.61	5.5	1.85		11	92		73.96	5.6	2.10	9.7	109	134.82	5.5	1.80	GR37 GRF37	4P	34	31	38.61	2.3	2.70			11	100	123.66	5.5	1.95			12	85	105.28	5.6	2.30	14	73	90.77	5.6	2.70					15	68			84.61	5.7	2.80	18	60			73.96	5.7	3.30	6.9	154		123.91	3.9		0.80	8.1	131	105.49	4.0	0.95	GR27 GRF27	6P*	36	29	36.20	2.3	2.80			9.3	113	90.96	4.1	1.10			10	105	84.78	4.1	1.20	11	92	74.11	4.2	1.40	9.7	109	135.09	4.1			1.15	11	100	123.91	4.1	1.25	GR27 GRF27	4P	41	26	31.94	2.2	3.20			12	85	105.49	4.2	1.50			14	73	90.96	4.2	1.70	52	20	25.23	2.1	4.10	57	19			23.15	2.0	4.40	66	16	19.71	1.9	5.20	77	14	16.99	1.8	6.00	83	13	15.84	1.8	6.40	95	11	13.84	1.7	7.40	101	10	12.98	1.7	7.90	114	9.2	11.45	1.6	8.50	129	8.2	10.15	1.6	9.20	152	6.9	8.63	1.5	10	174	6.1	7.55	1.4	8.90	186	5.7	7.04	1.4	9.50	213	4.9	6.15	1.3	11	227	4.6	5.76	1.3	11	257	4.1	5.09	1.3	12	290	3.6	4.51	1.2	13	342	3.1	3.83	1.1	14	216	5.2	6.07	4.1	8.60	253	4.4	5.18	3.8	17	289	3.9	4.53	3.7	22	305	3.7	4.30	3.6	22	238	4.7	5.50	3.2	8.50	258	4.3	5.07	3.1	8.60	301	3.7	4.35	3.0	19	346	3.2	3.79	2.8	22	369	3.0	3.55	2.8	24	417	2.7	3.14	2.7	25	450	2.5	2.91	2.6	28	496	2.3	2.64	2.5	31	553	2.0	2.37	2.4	35	642	1.7	2.04	2.3	41	682	1.6	1.92	2.3	43	794	1.4	1.65	2.1	49																																																																							
6.2	176	137.67	10	3.40	GR67 GRF67	6P*	16	66	81.64	2.4	1.25			7.5	90	113.94	10	4.10			6.6	166	128.97	10	3.70			7.1	153	184.07	10	3.90	6.6	166	199.81	10	3.60	GR67 GRF67	4P	19	57	70.39	2.4	1.45			7.1	153	184.07	10	3.90	4.5	239	186.89	7.4	1.90	GR57 GRF57	6P*	20	53	65.61	2.4	1.55			4.9	221	172.17	7.4	2.00			5.7	189	147.92	7.5	2.40			6.6	165	128.77	7.5	2.70	7.0	155	120.63	7.5	2.90			8.0	137	106.58			7.6	3.30	8.6			127	98.99	7.6	3.60	7.0			155	186.89	7.5	2.90	7.6	143	172.17	7.5	3.20	GR57 GRF57	4P	23	46	57.35	2.4	1.80			8.9	123	147.92	7.6	3.70			10.2	107	128.77	7.6	4.20			4.8	227	176.88	5.5	1.35	5.2	209	162.94	5.5	1.45	GR47 GRF47	6P*	24	43	53.76	2.4	1.90			6.1	179	139.99	5.6	1.70	7.0	156	121.87	5.7	1.95	7.4	147	176.88	5.7	2.00	GR47 GRF47	4P	28	38	47.44	2.4	2.20			8.0	135	162.94	5.7	2.20			9.4	116	139.99	5.8	2.60			11	101	121.87	5.8	3.00	11	95	114.17	5.8	3.20			13			84	100.86	5.8			3.60	14	78	93.68	5.8			3.90	6.3	167	134.82	5.0	1.15	6.9	153	123.66	5.1	1.25	GR37 GRF37	6P*	30	36	44.18	2.4	2.30			8.1	131	105.28	5.3	1.50			9.4	113	90.77	5.4	1.75			10	105	84.61	5.5	1.85	11	92	73.96	5.6	2.10	9.7	109	134.82	5.5	1.80	GR37 GRF37	4P	34	31	38.61	2.3	2.70			11	100	123.66	5.5	1.95			12	85	105.28	5.6	2.30			14	73	90.77	5.6	2.70	15	68	84.61	5.7	2.80					18	60			73.96	5.7	3.30	6.9	154			123.91	3.9	0.80	8.1	131	105.49	4.0	0.95	GR27 GRF27	6P*	36	29	36.20	2.3	2.80			9.3	113	90.96	4.1	1.10			10	105	84.78	4.1	1.20			11	92	74.11	4.2	1.40	9.7	109	135.09	4.1	1.15	11	100	123.91	4.1	1.25	GR27 GRF27	4P	41	26	31.94	2.2	3.20			12	85	105.49	4.2	1.50			14	73	90.96	4.2	1.70			52	20	25.23	2.1	4.10	57	19	23.15	2.0	4.40	66	16	19.71	1.9	5.20	77	14	16.99	1.8	6.00	83	13	15.84	1.8	6.40	95	11	13.84	1.7	7.40	101	10	12.98	1.7	7.90	114	9.2	11.45	1.6	8.50	129	8.2	10.15	1.6	9.20	152	6.9	8.63	1.5	10	174	6.1	7.55	1.4	8.90	186	5.7	7.04	1.4	9.50	213	4.9	6.15	1.3	11	227	4.6	5.76	1.3	11	257	4.1	5.09	1.3	12	290	3.6	4.51	1.2	13	342	3.1	3.83	1.1	14	216	5.2	6.07	4.1	8.60	253	4.4	5.18	3.8	17	289	3.9	4.53	3.7	22	305	3.7	4.30	3.6	22	238	4.7	5.50	3.2	8.50	258	4.3	5.07	3.1	8.60	301	3.7	4.35	3.0	19	346	3.2	3.79	2.8	22	369	3.0	3.55	2.8	24	417	2.7	3.14	2.7	25	450	2.5	2.91	2.6	28	496	2.3	2.64	2.5	31	553	2.0	2.37	2.4	35	642	1.7	2.04	2.3	41	682	1.6	1.92	2.3	43	794	1.4	1.65	2.1	49																																																																														
7.5	90	113.94	10	4.10			6.6	166	128.97	10	3.70			7.1	153	184.07	10	3.90			6.6	166	199.81	10	3.60	GR67 GRF67	4P	19	57	70.39	2.4	1.45	7.1	153	184.07	10	3.90			4.5	239	186.89	7.4	1.90	GR57 GRF57	6P*	20	53	65.61	2.4	1.55	4.9	221	172.17	7.4	2.00			5.7	189	147.92	7.5	2.40			6.6	165	128.77	7.5	2.70			7.0	155	120.63	7.5	2.90			8.0	137	106.58	7.6	3.30	8.6	127	98.99	7.6	3.60			7.0	155	186.89			7.5	2.90	7.6			143	172.17	7.5	3.20	GR57 GRF57	4P	23	46	57.35	2.4	1.80	8.9	123	147.92	7.6	3.70			10.2	107	128.77	7.6	4.20			4.8	227	176.88	5.5	1.35			5.2	209	162.94	5.5	1.45	GR47 GRF47	6P*	24	43	53.76	2.4	1.90	6.1	179	139.99	5.6	1.70			7.0	156	121.87	5.7	1.95	7.4	147	176.88	5.7	2.00	GR47 GRF47	4P	28	38	47.44	2.4	2.20	8.0	135	162.94	5.7	2.20			9.4	116	139.99	5.8	2.60			11	101	121.87	5.8	3.00			11	95	114.17	5.8	3.20			13	84	100.86	5.8	3.60	14	78	93.68	5.8	3.90			6.3			167	134.82	5.0			1.15	6.9	153	123.66	5.1	1.25	GR37 GRF37	6P*	30	36	44.18	2.4	2.30	8.1	131	105.28	5.3	1.50			9.4	113	90.77	5.4	1.75			10	105	84.61	5.5	1.85			11	92	73.96	5.6	2.10	9.7	109	134.82	5.5	1.80	GR37 GRF37	4P	34	31	38.61	2.3	2.70	11	100	123.66	5.5	1.95			12	85	105.28	5.6	2.30			14	73	90.77	5.6	2.70			15	68	84.61	5.7	2.80			18	60	73.96	5.7	3.30	6.9	154	123.91	3.9	0.80					8.1	131			105.49	4.0	0.95	GR27 GRF27	6P*	36	29	36.20	2.3	2.80	9.3	113	90.96	4.1	1.10			10	105	84.78	4.1	1.20			11	92	74.11	4.2	1.40			9.7	109	135.09	4.1	1.15	11	100	123.91	4.1	1.25	GR27 GRF27	4P	41	26	31.94	2.2	3.20	12	85	105.49	4.2	1.50			14	73	90.96	4.2	1.70			52	20	25.23	2.1	4.10			57	19	23.15	2.0	4.40	66	16	19.71	1.9	5.20	77	14	16.99	1.8	6.00	83	13	15.84	1.8	6.40	95	11	13.84	1.7	7.40	101	10	12.98	1.7	7.90	114	9.2	11.45	1.6	8.50	129	8.2	10.15	1.6	9.20	152	6.9	8.63	1.5	10	174	6.1	7.55	1.4	8.90	186	5.7	7.04	1.4	9.50	213	4.9	6.15	1.3	11	227	4.6	5.76	1.3	11	257	4.1	5.09	1.3	12	290	3.6	4.51	1.2	13	342	3.1	3.83	1.1	14	216	5.2	6.07	4.1	8.60	253	4.4	5.18	3.8	17	289	3.9	4.53	3.7	22	305	3.7	4.30	3.6	22	238	4.7	5.50	3.2	8.50	258	4.3	5.07	3.1	8.60	301	3.7	4.35	3.0	19	346	3.2	3.79	2.8	22	369	3.0	3.55	2.8	24	417	2.7	3.14	2.7	25	450	2.5	2.91	2.6	28	496	2.3	2.64	2.5	31	553	2.0	2.37	2.4	35	642	1.7	2.04	2.3	41	682	1.6	1.92	2.3	43	794	1.4	1.65	2.1	49																																																																																										
6.6	166	128.97	10	3.70			7.1	153	184.07	10	3.90			6.6	166	199.81	10	3.60	GR67 GRF67	4P	19	57	70.39	2.4	1.45			7.1	153	184.07	10	3.90	4.5	239	186.89	7.4	1.90	GR57 GRF57	6P*	20	53	65.61	2.4	1.55			4.9	221	172.17	7.4	2.00	5.7	189	147.92	7.5	2.40			6.6	165	128.77	7.5	2.70			7.0	155	120.63	7.5	2.90			8.0	137	106.58	7.6	3.30			8.6	127	98.99	7.6	3.60	7.0	155	186.89	7.5	2.90			7.6	143	172.17			7.5	3.20	GR57 GRF57	4P	23	46	57.35	2.4	1.80			8.9	123	147.92	7.6	3.70	10.2	107	128.77	7.6	4.20			4.8	227	176.88	5.5	1.35			5.2	209	162.94	5.5	1.45	GR47 GRF47	6P*	24	43	53.76	2.4	1.90			6.1	179	139.99	5.6	1.70	7.0	156	121.87	5.7	1.95	7.4	147	176.88	5.7	2.00	GR47 GRF47	4P	28	38	47.44	2.4	2.20			8.0	135	162.94	5.7	2.20	9.4	116	139.99	5.8	2.60			11	101	121.87	5.8	3.00			11	95	114.17	5.8	3.20			13	84	100.86	5.8	3.60			14	78	93.68	5.8	3.90	6.3	167	134.82	5.0	1.15			6.9			153	123.66	5.1	1.25	GR37 GRF37	6P*	30	36	44.18	2.4	2.30			8.1	131	105.28	5.3	1.50	9.4	113	90.77	5.4	1.75			10	105	84.61	5.5	1.85			11	92	73.96	5.6	2.10	9.7	109	134.82	5.5	1.80	GR37 GRF37	4P	34	31	38.61	2.3	2.70			11	100	123.66	5.5	1.95	12	85	105.28	5.6	2.30			14	73	90.77	5.6	2.70			15	68	84.61	5.7	2.80			18	60	73.96	5.7	3.30			6.9	154	123.91	3.9	0.80	8.1	131	105.49	4.0	0.95					GR27 GRF27	6P*	36	29	36.20	2.3	2.80			9.3	113	90.96	4.1	1.10	10	105	84.78	4.1	1.20			11	92	74.11	4.2	1.40			9.7	109	135.09	4.1	1.15	11	100	123.91	4.1	1.25	GR27 GRF27	4P	41	26	31.94	2.2	3.20			12	85	105.49	4.2	1.50	14	73	90.96	4.2	1.70			52	20	25.23	2.1	4.10			57	19	23.15	2.0	4.40	66	16	19.71	1.9	5.20	77	14	16.99	1.8	6.00	83	13	15.84	1.8	6.40	95	11	13.84	1.7	7.40	101	10	12.98	1.7	7.90	114	9.2	11.45	1.6	8.50	129	8.2	10.15	1.6	9.20	152	6.9	8.63	1.5	10	174	6.1	7.55	1.4	8.90	186	5.7	7.04	1.4	9.50	213	4.9	6.15	1.3	11	227	4.6	5.76	1.3	11	257	4.1	5.09	1.3	12	290	3.6	4.51	1.2	13	342	3.1	3.83	1.1	14	216	5.2	6.07	4.1	8.60	253	4.4	5.18	3.8	17	289	3.9	4.53	3.7	22	305	3.7	4.30	3.6	22	238	4.7	5.50	3.2	8.50	258	4.3	5.07	3.1	8.60	301	3.7	4.35	3.0	19	346	3.2	3.79	2.8	22	369	3.0	3.55	2.8	24	417	2.7	3.14	2.7	25	450	2.5	2.91	2.6	28	496	2.3	2.64	2.5	31	553	2.0	2.37	2.4	35	642	1.7	2.04	2.3	41	682	1.6	1.92	2.3	43	794	1.4	1.65	2.1	49																																																																																																	
7.1	153	184.07	10	3.90			6.6	166	199.81	10	3.60	GR67 GRF67	4P	19	57	70.39	2.4	1.45			7.1	153	184.07	10	3.90	4.5	239	186.89	7.4	1.90	GR57 GRF57	6P*	20	53	65.61	2.4	1.55			4.9	221	172.17	7.4	2.00			5.7	189	147.92	7.5	2.40	6.6	165	128.77	7.5	2.70			7.0	155	120.63	7.5	2.90			8.0	137	106.58	7.6	3.30			8.6	127	98.99	7.6	3.60			7.0	155	186.89	7.5	2.90	7.6	143	172.17	7.5	3.20			GR57 GRF57	4P	23	46	57.35	2.4	1.80			8.9	123	147.92	7.6	3.70			10.2	107	128.77	7.6	4.20	4.8	227	176.88	5.5	1.35			5.2	209	162.94	5.5	1.45	GR47 GRF47	6P*	24	43	53.76	2.4	1.90			6.1	179	139.99	5.6	1.70	7.0	156	121.87	5.7	1.95	7.4	147	176.88	5.7	2.00	GR47 GRF47	4P	28	38	47.44	2.4	2.20			8.0	135	162.94	5.7	2.20			9.4	116	139.99	5.8	2.60	11	101	121.87	5.8	3.00			11	95	114.17	5.8	3.20			13	84	100.86	5.8	3.60			14	78	93.68	5.8	3.90			6.3	167	134.82	5.0	1.15	6.9	153	123.66	5.1	1.25			GR37 GRF37	6P*	30	36	44.18	2.4	2.30			8.1	131	105.28	5.3	1.50			9.4	113	90.77	5.4	1.75	10	105	84.61	5.5	1.85			11	92	73.96	5.6	2.10	9.7	109	134.82	5.5	1.80	GR37 GRF37	4P	34	31	38.61	2.3	2.70			11	100	123.66	5.5	1.95			12	85	105.28	5.6	2.30	14	73	90.77	5.6	2.70			15	68	84.61	5.7	2.80			18	60	73.96	5.7	3.30			6.9	154	123.91	3.9	0.80			8.1	131	105.49	4.0	0.95	GR27 GRF27	6P*	36	29	36.20		2.3	2.80				9.3	113	90.96	4.1	1.10			10	105	84.78	4.1	1.20	11	92	74.11	4.2	1.40			9.7	109	135.09	4.1	1.15	11	100	123.91	4.1	1.25	GR27 GRF27	4P	41	26	31.94	2.2	3.20			12	85	105.49	4.2	1.50			14	73	90.96	4.2	1.70	52	20	25.23	2.1	4.10			57	19	23.15	2.0	4.40	66	16	19.71	1.9	5.20	77	14	16.99	1.8	6.00	83	13	15.84	1.8	6.40	95	11	13.84	1.7	7.40	101	10	12.98	1.7	7.90	114	9.2	11.45	1.6	8.50	129	8.2	10.15	1.6	9.20	152	6.9	8.63	1.5	10	174	6.1	7.55	1.4	8.90	186	5.7	7.04	1.4	9.50	213	4.9	6.15	1.3	11	227	4.6	5.76	1.3	11	257	4.1	5.09	1.3	12	290	3.6	4.51	1.2	13	342	3.1	3.83	1.1	14	216	5.2	6.07	4.1	8.60	253	4.4	5.18	3.8	17	289	3.9	4.53	3.7	22	305	3.7	4.30	3.6	22	238	4.7	5.50	3.2	8.50	258	4.3	5.07	3.1	8.60	301	3.7	4.35	3.0	19	346	3.2	3.79	2.8	22	369	3.0	3.55	2.8	24	417	2.7	3.14	2.7	25	450	2.5	2.91	2.6	28	496	2.3	2.64	2.5	31	553	2.0	2.37	2.4	35	642	1.7	2.04	2.3	41	682	1.6	1.92	2.3	43	794	1.4	1.65	2.1	49																																																																																																								
6.6	166	199.81	10	3.60	GR67 GRF67	4P	19	57	70.39	2.4	1.45			7.1	153	184.07	10	3.90	4.5	239	186.89	7.4	1.90	GR57 GRF57	6P*	20	53	65.61	2.4	1.55			4.9	221	172.17	7.4	2.00			5.7	189	147.92	7.5	2.40			6.6	165	128.77	7.5	2.70	7.0	155	120.63	7.5	2.90			8.0	137	106.58	7.6	3.30			8.6	127	98.99	7.6	3.60			7.0	155	186.89	7.5	2.90			7.6	143	172.17	7.5	3.20	GR57 GRF57	4P	23	46	57.35	2.4	1.80			8.9	123	147.92	7.6	3.70			10.2	107	128.77	7.6	4.20			4.8	227	176.88	5.5	1.35	5.2	209	162.94	5.5	1.45	GR47 GRF47	6P*	24	43	53.76	2.4	1.90			6.1	179	139.99	5.6	1.70	7.0	156	121.87	5.7	1.95	7.4	147	176.88	5.7	2.00	GR47 GRF47	4P	28	38	47.44	2.4	2.20			8.0	135	162.94	5.7	2.20			9.4	116	139.99	5.8	2.60			11	101	121.87	5.8	3.00	11	95	114.17	5.8	3.20			13	84	100.86	5.8	3.60			14	78	93.68	5.8	3.90			6.3	167	134.82	5.0	1.15			6.9	153	123.66	5.1	1.25	GR37 GRF37	6P*	30	36	44.18	2.4	2.30			8.1	131	105.28	5.3	1.50			9.4	113	90.77	5.4	1.75			10	105	84.61	5.5	1.85	11	92	73.96	5.6	2.10	9.7	109	134.82	5.5	1.80	GR37 GRF37	4P	34	31	38.61	2.3	2.70			11	100	123.66	5.5	1.95			12	85	105.28	5.6	2.30			14	73	90.77	5.6	2.70	15	68	84.61	5.7	2.80			18	60	73.96	5.7	3.30			6.9	154	123.91	3.9	0.80			8.1	131	105.49	4.0	0.95			GR27 GRF27	6P*	36	29	36.20			2.3	2.80	9.3	113	90.96	4.1	1.10			10	105	84.78	4.1	1.20			11	92	74.11	4.2	1.40	9.7	109	135.09	4.1	1.15	11	100	123.91	4.1	1.25	GR27 GRF27	4P	41	26	31.94	2.2	3.20			12	85	105.49	4.2	1.50			14	73	90.96	4.2	1.70			52	20	25.23	2.1	4.10	57	19	23.15	2.0	4.40	66	16	19.71	1.9	5.20	77	14	16.99	1.8	6.00	83	13	15.84	1.8	6.40	95	11	13.84	1.7	7.40	101	10	12.98	1.7	7.90	114	9.2	11.45	1.6	8.50	129	8.2	10.15	1.6	9.20	152	6.9	8.63	1.5	10	174	6.1	7.55	1.4	8.90	186	5.7	7.04	1.4	9.50	213	4.9	6.15	1.3	11	227	4.6	5.76	1.3	11	257	4.1	5.09	1.3	12	290	3.6	4.51	1.2	13	342	3.1	3.83	1.1	14	216	5.2	6.07	4.1	8.60	253	4.4	5.18	3.8	17	289	3.9	4.53	3.7	22	305	3.7	4.30	3.6	22	238	4.7	5.50	3.2	8.50	258	4.3	5.07	3.1	8.60	301	3.7	4.35	3.0	19	346	3.2	3.79	2.8	22	369	3.0	3.55	2.8	24	417	2.7	3.14	2.7	25	450	2.5	2.91	2.6	28	496	2.3	2.64	2.5	31	553	2.0	2.37	2.4	35	642	1.7	2.04	2.3	41	682	1.6	1.92	2.3	43	794	1.4	1.65	2.1	49																																																																																																															
7.1	153	184.07	10	3.90			4.5	239	186.89	7.4	1.90	GR57 GRF57	6P*	20	53	65.61	2.4	1.55	4.9	221	172.17	7.4	2.00			5.7	189	147.92	7.5	2.40			6.6	165	128.77	7.5	2.70			7.0	155	120.63	7.5	2.90			8.0	137	106.58	7.6	3.30	8.6	127	98.99	7.6	3.60			7.0	155	186.89	7.5	2.90			7.6	143	172.17	7.5	3.20			GR57 GRF57	4P	23	46	57.35	2.4	1.80	8.9	123	147.92	7.6	3.70			10.2	107	128.77	7.6	4.20			4.8	227	176.88	5.5	1.35			5.2	209	162.94	5.5	1.45	GR47 GRF47	6P*	24	43	53.76	2.4	1.90	6.1	179	139.99	5.6	1.70			7.0	156	121.87	5.7	1.95	7.4	147	176.88	5.7	2.00	GR47 GRF47	4P	28	38	47.44	2.4	2.20	8.0	135	162.94	5.7	2.20			9.4	116	139.99	5.8	2.60			11	101	121.87	5.8	3.00			11	95	114.17	5.8	3.20			13	84	100.86	5.8	3.60	14	78	93.68	5.8	3.90			6.3	167	134.82	5.0	1.15			6.9	153	123.66	5.1	1.25			GR37 GRF37	6P*	30	36	44.18	2.4	2.30	8.1	131	105.28	5.3	1.50			9.4	113	90.77	5.4	1.75			10	105	84.61	5.5	1.85			11	92	73.96	5.6	2.10	9.7	109	134.82	5.5	1.80	GR37 GRF37	4P	34	31	38.61	2.3	2.70	11	100	123.66	5.5	1.95			12	85	105.28	5.6	2.30			14	73	90.77	5.6	2.70			15	68	84.61	5.7	2.80			18	60	73.96	5.7	3.30	6.9	154	123.91	3.9	0.80			8.1	131	105.49	4.0	0.95			GR27 GRF27	6P*	36	29	36.20			2.3	2.80	9.3	113	90.96	4.1	1.10			10	105	84.78			4.1	1.20	11	92	74.11	4.2	1.40			9.7	109	135.09	4.1	1.15	11	100	123.91	4.1	1.25	GR27 GRF27	4P	41	26	31.94	2.2	3.20	12	85	105.49	4.2	1.50			14	73	90.96	4.2	1.70			52	20	25.23	2.1	4.10			57	19	23.15	2.0	4.40	66	16	19.71	1.9	5.20	77	14	16.99	1.8	6.00	83	13	15.84	1.8	6.40	95	11	13.84	1.7	7.40	101	10	12.98	1.7	7.90	114	9.2	11.45	1.6	8.50	129	8.2	10.15	1.6	9.20	152	6.9	8.63	1.5	10	174	6.1	7.55	1.4	8.90	186	5.7	7.04	1.4	9.50	213	4.9	6.15	1.3	11	227	4.6	5.76	1.3	11	257	4.1	5.09	1.3	12	290	3.6	4.51	1.2	13	342	3.1	3.83	1.1	14	216	5.2	6.07	4.1	8.60	253	4.4	5.18	3.8	17	289	3.9	4.53	3.7	22	305	3.7	4.30	3.6	22	238	4.7	5.50	3.2	8.50	258	4.3	5.07	3.1	8.60	301	3.7	4.35	3.0	19	346	3.2	3.79	2.8	22	369	3.0	3.55	2.8	24	417	2.7	3.14	2.7	25	450	2.5	2.91	2.6	28	496	2.3	2.64	2.5	31	553	2.0	2.37	2.4	35	642	1.7	2.04	2.3	41	682	1.6	1.92	2.3	43	794	1.4	1.65	2.1	49																																																																																																																											
4.5	239	186.89	7.4	1.90	GR57 GRF57	6P*	20	53	65.61	2.4	1.55			4.9	221	172.17	7.4	2.00	5.7	189	147.92	7.5	2.40			6.6	165	128.77	7.5	2.70			7.0	155	120.63	7.5	2.90			8.0	137	106.58	7.6	3.30			8.6	127	98.99	7.6	3.60	7.0	155	186.89	7.5	2.90			7.6	143	172.17	7.5	3.20			GR57 GRF57	4P	23	46	57.35	2.4	1.80			8.9	123	147.92	7.6	3.70	10.2	107	128.77	7.6	4.20			4.8	227	176.88	5.5	1.35			5.2	209	162.94	5.5	1.45	GR47 GRF47	6P*	24	43	53.76	2.4	1.90			6.1	179	139.99	5.6	1.70	7.0	156	121.87	5.7	1.95	7.4	147	176.88	5.7	2.00	GR47 GRF47	4P	28	38	47.44	2.4	2.20			8.0	135	162.94	5.7	2.20	9.4	116	139.99	5.8	2.60			11	101	121.87	5.8	3.00			11	95	114.17	5.8	3.20			13	84	100.86	5.8	3.60			14	78	93.68	5.8	3.90	6.3	167	134.82	5.0	1.15			6.9	153	123.66	5.1	1.25			GR37 GRF37	6P*	30	36	44.18	2.4	2.30			8.1	131	105.28	5.3	1.50	9.4	113	90.77	5.4	1.75			10	105	84.61	5.5	1.85			11	92	73.96	5.6	2.10	9.7	109	134.82	5.5	1.80	GR37 GRF37	4P	34	31	38.61	2.3	2.70			11	100	123.66	5.5	1.95	12	85	105.28	5.6	2.30			14	73	90.77	5.6	2.70			15	68	84.61	5.7	2.80			18	60	73.96	5.7	3.30			6.9	154	123.91	3.9	0.80	8.1	131	105.49	4.0	0.95			GR27 GRF27	6P*	36	29	36.20					2.3	2.80	9.3	113	90.96	4.1	1.10	10	105	84.78	4.1	1.20			11	92	74.11			4.2	1.40	9.7	109	135.09	4.1	1.15	11	100	123.91	4.1	1.25	GR27 GRF27	4P	41	26	31.94	2.2	3.20			12	85	105.49	4.2	1.50	14	73	90.96	4.2	1.70			52	20	25.23	2.1	4.10			57	19	23.15	2.0	4.40	66	16	19.71	1.9	5.20	77	14	16.99	1.8	6.00	83	13	15.84	1.8	6.40	95	11	13.84	1.7	7.40	101	10	12.98	1.7	7.90	114	9.2	11.45	1.6	8.50	129	8.2	10.15	1.6	9.20	152	6.9	8.63	1.5	10	174	6.1	7.55	1.4	8.90	186	5.7	7.04	1.4	9.50	213	4.9	6.15	1.3	11	227	4.6	5.76	1.3	11	257	4.1	5.09	1.3	12	290	3.6	4.51	1.2	13	342	3.1	3.83	1.1	14	216	5.2	6.07	4.1	8.60	253	4.4	5.18	3.8	17	289	3.9	4.53	3.7	22	305	3.7	4.30	3.6	22	238	4.7	5.50	3.2	8.50	258	4.3	5.07	3.1	8.60	301	3.7	4.35	3.0	19	346	3.2	3.79	2.8	22	369	3.0	3.55	2.8	24	417	2.7	3.14	2.7	25	450	2.5	2.91	2.6	28	496	2.3	2.64	2.5	31	553	2.0	2.37	2.4	35	642	1.7	2.04	2.3	41	682	1.6	1.92	2.3	43	794	1.4	1.65	2.1	49																																																																																																																																		
4.9	221	172.17	7.4	2.00			5.7	189	147.92	7.5	2.40			6.6	165	128.77	7.5	2.70	7.0	155	120.63	7.5	2.90			8.0	137	106.58	7.6	3.30			8.6	127	98.99	7.6	3.60			7.0	155	186.89	7.5	2.90			7.6	143	172.17	7.5	3.20	GR57 GRF57	4P	23	46	57.35			2.4	1.80	8.9	123	147.92	7.6	3.70			10.2	107	128.77	7.6	4.20			4.8	227	176.88	5.5	1.35	5.2	209	162.94	5.5	1.45			GR47 GRF47	6P*	24	43	53.76	2.4	1.90	6.1	179	139.99	5.6	1.70			7.0	156	121.87	5.7	1.95	7.4	147	176.88	5.7	2.00	GR47 GRF47	4P	28	38	47.44	2.4	2.20	8.0	135	162.94	5.7	2.20			9.4	116	139.99	5.8	2.60			11	101	121.87	5.8	3.00	11	95	114.17	5.8	3.20			13	84	100.86	5.8	3.60			14	78	93.68	5.8	3.90			6.3	167	134.82	5.0	1.15			6.9	153	123.66	5.1	1.25	GR37 GRF37	6P*	30	36	44.18			2.4	2.30	8.1	131	105.28	5.3	1.50			9.4	113	90.77	5.4	1.75			10	105	84.61	5.5	1.85	11	92	73.96	5.6	2.10			9.7	109	134.82	5.5	1.80	GR37 GRF37	4P	34	31	38.61	2.3	2.70	11	100	123.66	5.5	1.95			12	85	105.28	5.6	2.30			14	73	90.77	5.6	2.70	15	68	84.61	5.7	2.80			18	60	73.96	5.7	3.30			6.9	154	123.91	3.9	0.80			8.1	131	105.49	4.0	0.95			GR27 GRF27	6P*	36	29	36.20	2.3	2.80	9.3	113	90.96					4.1	1.10	10	105	84.78			4.1	1.20	11	92	74.11	4.2	1.40	9.7	109	135.09	4.1	1.15			11	100	123.91	4.1	1.25	GR27 GRF27	4P	41	26	31.94	2.2	3.20	12	85	105.49	4.2	1.50			14	73	90.96	4.2	1.70			52	20	25.23	2.1	4.10	57	19	23.15	2.0	4.40			66	16	19.71	1.9	5.20	77	14	16.99	1.8	6.00	83	13	15.84	1.8	6.40	95	11	13.84	1.7	7.40	101	10	12.98	1.7	7.90	114	9.2	11.45	1.6	8.50	129	8.2	10.15	1.6	9.20	152	6.9	8.63	1.5	10	174	6.1	7.55	1.4	8.90	186	5.7	7.04	1.4	9.50	213	4.9	6.15	1.3	11	227	4.6	5.76	1.3	11	257	4.1	5.09	1.3	12	290	3.6	4.51	1.2	13	342	3.1	3.83	1.1	14	216	5.2	6.07	4.1	8.60	253	4.4	5.18	3.8	17	289	3.9	4.53	3.7	22	305	3.7	4.30	3.6	22	238	4.7	5.50	3.2	8.50	258	4.3	5.07	3.1	8.60	301	3.7	4.35	3.0	19	346	3.2	3.79	2.8	22	369	3.0	3.55	2.8	24	417	2.7	3.14	2.7	25	450	2.5	2.91	2.6	28	496	2.3	2.64	2.5	31	553	2.0	2.37	2.4	35	642	1.7	2.04	2.3	41	682	1.6	1.92	2.3	43	794	1.4	1.65	2.1	49																																																																																																																																														
5.7	189	147.92	7.5	2.40			6.6	165	128.77	7.5	2.70			7.0	155	120.63	7.5	2.90	8.0	137	106.58	7.6	3.30			8.6	127	98.99	7.6	3.60			7.0	155	186.89	7.5	2.90			7.6	143	172.17	7.5	3.20			GR57 GRF57	4P	23	46	57.35			2.4	1.80	8.9	123	147.92	7.6	3.70	10.2	107	128.77	7.6	4.20			4.8	227	176.88	5.5	1.35			5.2	209	162.94	5.5	1.45	GR47 GRF47	6P*	24	43	53.76	2.4	1.90			6.1	179	139.99	5.6	1.70	7.0	156	121.87	5.7	1.95	7.4	147	176.88	5.7	2.00	GR47 GRF47	4P	28	38	47.44	2.4	2.20			8.0	135	162.94	5.7	2.20	9.4	116	139.99	5.8	2.60			11	101	121.87	5.8	3.00			11	95	114.17	5.8	3.20	13	84	100.86	5.8	3.60			14	78	93.68	5.8	3.90			6.3	167	134.82	5.0	1.15			6.9	153	123.66	5.1	1.25			GR37 GRF37	6P*	30	36	44.18			2.4	2.30	8.1	131	105.28	5.3	1.50	9.4	113	90.77	5.4	1.75			10	105	84.61	5.5	1.85			11	92	73.96	5.6	2.10	9.7	109	134.82	5.5	1.80	GR37 GRF37	4P	34	31	38.61	2.3	2.70			11	100	123.66	5.5	1.95	12	85	105.28	5.6	2.30			14	73	90.77	5.6	2.70			15	68	84.61	5.7	2.80	18	60	73.96	5.7	3.30			6.9	154	123.91	3.9	0.80			8.1	131	105.49	4.0	0.95			GR27 GRF27	6P*	36	29	36.20					2.3	2.80	9.3	113	90.96	4.1	1.10	10	105	84.78			4.1	1.20	11	92	74.11			4.2	1.40	9.7	109	135.09	4.1	1.15	11	100	123.91	4.1	1.25	GR27 GRF27	4P	41	26	31.94	2.2	3.20			12	85	105.49	4.2	1.50	14	73	90.96	4.2	1.70			52	20	25.23	2.1	4.10			57	19	23.15	2.0	4.40	66	16	19.71	1.9	5.20	77	14	16.99	1.8	6.00	83	13	15.84	1.8	6.40	95	11	13.84	1.7	7.40	101	10	12.98	1.7	7.90	114	9.2	11.45	1.6	8.50	129	8.2	10.15	1.6	9.20	152	6.9	8.63	1.5	10	174	6.1	7.55	1.4	8.90	186	5.7	7.04	1.4	9.50	213	4.9	6.15	1.3	11	227	4.6	5.76	1.3	11	257	4.1	5.09	1.3	12	290	3.6	4.51	1.2	13	342	3.1	3.83	1.1	14	216	5.2	6.07	4.1	8.60	253	4.4	5.18	3.8	17	289	3.9	4.53	3.7	22	305	3.7	4.30	3.6	22	238	4.7	5.50	3.2	8.50	258	4.3	5.07	3.1	8.60	301	3.7	4.35	3.0	19	346	3.2	3.79	2.8	22	369	3.0	3.55	2.8	24	417	2.7	3.14	2.7	25	450	2.5	2.91	2.6	28	496	2.3	2.64	2.5	31	553	2.0	2.37	2.4	35	642	1.7	2.04	2.3	41	682	1.6	1.92	2.3	43	794	1.4	1.65	2.1	49																																																																																																																																																					
6.6	165	128.77	7.5	2.70			7.0	155	120.63	7.5	2.90			8.0	137	106.58	7.6	3.30	8.6	127	98.99	7.6	3.60			7.0	155	186.89	7.5	2.90			7.6	143	172.17	7.5	3.20			GR57 GRF57	4P	23	46	57.35	2.4	1.80			8.9	123	147.92			7.6	3.70	10.2	107	128.77	7.6	4.20	4.8	227	176.88	5.5	1.35			5.2	209	162.94	5.5	1.45	GR47 GRF47	6P*	24	43	53.76	2.4	1.90			6.1	179	139.99	5.6	1.70	7.0	156	121.87	5.7	1.95	7.4	147	176.88	5.7	2.00	GR47 GRF47	4P	28	38	47.44	2.4	2.20			8.0	135	162.94	5.7	2.20			9.4	116	139.99	5.8	2.60	11	101	121.87	5.8	3.00			11	95	114.17	5.8	3.20			13	84	100.86	5.8	3.60	14	78	93.68	5.8	3.90			6.3	167	134.82	5.0	1.15			6.9	153	123.66	5.1	1.25			GR37 GRF37	6P*	30	36	44.18	2.4	2.30			8.1	131	105.28			5.3	1.50	9.4	113	90.77	5.4	1.75	10	105	84.61	5.5	1.85			11	92	73.96	5.6	2.10	9.7	109	134.82	5.5	1.80	GR37 GRF37	4P	34	31	38.61	2.3	2.70			11	100	123.66	5.5	1.95			12	85	105.28	5.6	2.30	14	73	90.77	5.6	2.70			15	68	84.61	5.7	2.80			18	60	73.96	5.7	3.30	6.9	154	123.91	3.9	0.80			8.1	131	105.49	4.0	0.95			GR27 GRF27	6P*	36	29	36.20					2.3	2.80	9.3	113	90.96			4.1	1.10	10	105	84.78	4.1	1.20	11	92	74.11			4.2	1.40	9.7	109	135.09	4.1	1.15	11	100	123.91	4.1	1.25	GR27 GRF27	4P	41	26	31.94	2.2	3.20			12	85	105.49	4.2	1.50			14	73	90.96	4.2	1.70	52	20	25.23	2.1	4.10			57	19	23.15	2.0	4.40	66	16	19.71	1.9	5.20	77	14	16.99	1.8	6.00	83	13	15.84	1.8	6.40	95	11	13.84	1.7	7.40	101	10	12.98	1.7	7.90	114	9.2	11.45	1.6	8.50	129	8.2	10.15	1.6	9.20	152	6.9	8.63	1.5	10	174	6.1	7.55	1.4	8.90	186	5.7	7.04	1.4	9.50	213	4.9	6.15	1.3	11	227	4.6	5.76	1.3	11	257	4.1	5.09	1.3	12	290	3.6	4.51	1.2	13	342	3.1	3.83	1.1	14	216	5.2	6.07	4.1	8.60	253	4.4	5.18	3.8	17	289	3.9	4.53	3.7	22	305	3.7	4.30	3.6	22	238	4.7	5.50	3.2	8.50	258	4.3	5.07	3.1	8.60	301	3.7	4.35	3.0	19	346	3.2	3.79	2.8	22	369	3.0	3.55	2.8	24	417	2.7	3.14	2.7	25	450	2.5	2.91	2.6	28	496	2.3	2.64	2.5	31	553	2.0	2.37	2.4	35	642	1.7	2.04	2.3	41	682	1.6	1.92	2.3	43	794	1.4	1.65	2.1	49																																																																																																																																																												
7.0	155	120.63	7.5	2.90			8.0	137	106.58	7.6	3.30			8.6	127	98.99	7.6	3.60	7.0	155	186.89	7.5	2.90			7.6	143	172.17	7.5	3.20			GR57 GRF57	4P	23	46	57.35	2.4	1.80			8.9	123	147.92	7.6	3.70			10.2	107	128.77			7.6	4.20	4.8	227	176.88	5.5	1.35	5.2	209	162.94	5.5	1.45	GR47 GRF47	6P*	24	43	53.76	2.4	1.90			6.1	179	139.99	5.6	1.70	7.0	156	121.87	5.7	1.95	7.4	147	176.88	5.7	2.00	GR47 GRF47	4P	28	38	47.44	2.4	2.20			8.0	135	162.94	5.7	2.20			9.4	116	139.99	5.8	2.60			11	101	121.87	5.8	3.00	11	95	114.17	5.8	3.20			13	84	100.86	5.8	3.60			14	78	93.68	5.8	3.90	6.3	167	134.82	5.0	1.15			6.9	153	123.66	5.1	1.25			GR37 GRF37	6P*	30	36	44.18	2.4	2.30			8.1	131	105.28	5.3	1.50			9.4	113	90.77			5.4	1.75	10	105	84.61	5.5	1.85	11	92	73.96	5.6	2.10	9.7	109	134.82	5.5	1.80	GR37 GRF37	4P	34	31	38.61	2.3	2.70			11	100	123.66	5.5	1.95			12	85	105.28	5.6	2.30			14	73	90.77	5.6	2.70	15	68	84.61	5.7	2.80			18	60	73.96	5.7	3.30			6.9	154	123.91	3.9	0.80	8.1	131	105.49	4.0	0.95			GR27 GRF27	6P*	36	29	36.20					2.3	2.80	9.3	113	90.96			4.1	1.10	10	105	84.78			4.1	1.20	11	92	74.11	4.2	1.40	9.7	109	135.09	4.1	1.15	11	100	123.91	4.1	1.25	GR27 GRF27	4P	41	26	31.94	2.2	3.20			12	85	105.49	4.2	1.50			14	73	90.96	4.2	1.70			52	20	25.23	2.1	4.10	57	19	23.15	2.0	4.40	66	16	19.71	1.9	5.20	77	14	16.99	1.8	6.00	83	13	15.84	1.8	6.40	95	11	13.84	1.7	7.40	101	10	12.98	1.7	7.90	114	9.2	11.45	1.6	8.50	129	8.2	10.15	1.6	9.20	152	6.9	8.63	1.5	10	174	6.1	7.55	1.4	8.90	186	5.7	7.04	1.4	9.50	213	4.9	6.15	1.3	11	227	4.6	5.76	1.3	11	257	4.1	5.09	1.3	12	290	3.6	4.51	1.2	13	342	3.1	3.83	1.1	14	216	5.2	6.07	4.1	8.60	253	4.4	5.18	3.8	17	289	3.9	4.53	3.7	22	305	3.7	4.30	3.6	22	238	4.7	5.50	3.2	8.50	258	4.3	5.07	3.1	8.60	301	3.7	4.35	3.0	19	346	3.2	3.79	2.8	22	369	3.0	3.55	2.8	24	417	2.7	3.14	2.7	25	450	2.5	2.91	2.6	28	496	2.3	2.64	2.5	31	553	2.0	2.37	2.4	35	642	1.7	2.04	2.3	41	682	1.6	1.92	2.3	43	794	1.4	1.65	2.1	49																																																																																																																																																																			
8.0	137	106.58	7.6	3.30			8.6	127	98.99	7.6	3.60			7.0	155	186.89	7.5	2.90	7.6	143	172.17	7.5	3.20			GR57 GRF57	4P	23	46	57.35	2.4	1.80			8.9	123	147.92	7.6	3.70			10.2	107	128.77	7.6	4.20			4.8	227	176.88	5.5	1.35	5.2	209	162.94	5.5	1.45	GR47 GRF47	6P*	24	43	53.76	2.4	1.90			6.1	179	139.99	5.6	1.70	7.0	156	121.87	5.7	1.95	7.4	147	176.88	5.7	2.00	GR47 GRF47	4P	28	38	47.44	2.4	2.20			8.0	135	162.94	5.7	2.20			9.4	116	139.99	5.8	2.60			11	101	121.87	5.8	3.00			11	95	114.17	5.8	3.20	13	84	100.86	5.8	3.60			14	78	93.68	5.8	3.90			6.3	167	134.82	5.0	1.15	6.9	153	123.66	5.1	1.25			GR37 GRF37	6P*	30	36	44.18	2.4	2.30			8.1	131	105.28	5.3	1.50			9.4	113	90.77	5.4	1.75			10	105	84.61	5.5	1.85	11	92	73.96	5.6	2.10	9.7	109	134.82	5.5	1.80	GR37 GRF37	4P	34	31	38.61	2.3	2.70			11	100	123.66	5.5	1.95			12	85	105.28	5.6	2.30			14	73	90.77	5.6	2.70			15	68	84.61	5.7	2.80	18	60	73.96	5.7	3.30			6.9	154	123.91	3.9	0.80			8.1	131	105.49	4.0	0.95	GR27 GRF27	6P*	36	29	36.20					2.3	2.80	9.3	113	90.96			4.1	1.10	10	105	84.78			4.1	1.20	11	92	74.11	4.2	1.40	9.7	109	135.09	4.1	1.15	11	100	123.91	4.1	1.25	GR27 GRF27	4P	41	26	31.94	2.2	3.20			12	85	105.49	4.2	1.50			14	73	90.96	4.2	1.70			52	20	25.23	2.1	4.10	57	19	23.15	2.0	4.40	66	16	19.71	1.9	5.20	77	14	16.99	1.8	6.00	83	13	15.84	1.8	6.40	95	11	13.84	1.7	7.40	101	10	12.98	1.7	7.90	114	9.2	11.45	1.6	8.50	129	8.2	10.15	1.6	9.20	152	6.9	8.63	1.5	10	174	6.1	7.55	1.4	8.90	186	5.7	7.04	1.4	9.50	213	4.9	6.15	1.3	11	227	4.6	5.76	1.3	11	257	4.1	5.09	1.3	12	290	3.6	4.51	1.2	13	342	3.1	3.83	1.1	14	216	5.2	6.07	4.1	8.60	253	4.4	5.18	3.8	17	289	3.9	4.53	3.7	22	305	3.7	4.30	3.6	22	238	4.7	5.50	3.2	8.50	258	4.3	5.07	3.1	8.60	301	3.7	4.35	3.0	19	346	3.2	3.79	2.8	22	369	3.0	3.55	2.8	24	417	2.7	3.14	2.7	25	450	2.5	2.91	2.6	28	496	2.3	2.64	2.5	31	553	2.0	2.37	2.4	35	642	1.7	2.04	2.3	41	682	1.6	1.92	2.3	43	794	1.4	1.65	2.1	49																																																																																																																																																																										
8.6	127	98.99	7.6	3.60			7.0	155	186.89	7.5	2.90			7.6	143	172.17	7.5	3.20	GR57 GRF57	4P	23	46	57.35	2.4	1.80			8.9	123	147.92	7.6	3.70			10.2	107	128.77	7.6	4.20			4.8	227	176.88	5.5	1.35	5.2	209	162.94	5.5	1.45	GR47 GRF47	6P*	24	43	53.76	2.4	1.90			6.1	179	139.99	5.6	1.70	7.0	156	121.87	5.7	1.95	7.4	147	176.88	5.7	2.00	GR47 GRF47	4P	28	38	47.44	2.4	2.20			8.0	135	162.94	5.7	2.20			9.4	116	139.99	5.8	2.60			11	101	121.87	5.8	3.00			11	95	114.17	5.8	3.20			13	84	100.86	5.8	3.60	14	78	93.68	5.8	3.90			6.3	167	134.82	5.0	1.15			6.9	153	123.66	5.1	1.25	GR37 GRF37	6P*	30	36	44.18	2.4	2.30			8.1	131	105.28	5.3	1.50			9.4	113	90.77	5.4	1.75			10	105	84.61	5.5	1.85	11	92	73.96	5.6	2.10	9.7	109	134.82	5.5	1.80	GR37 GRF37	4P	34	31	38.61	2.3	2.70			11	100	123.66	5.5	1.95			12	85	105.28	5.6	2.30			14	73	90.77	5.6	2.70			15	68	84.61	5.7	2.80			18	60	73.96	5.7	3.30	6.9	154	123.91	3.9	0.80			8.1	131	105.49	4.0	0.95			GR27 GRF27	6P*	36	29	36.20			2.3	2.80	9.3	113	90.96			4.1	1.10	10	105	84.78			4.1	1.20	11	92	74.11	4.2	1.40	9.7	109	135.09	4.1	1.15	11	100	123.91	4.1	1.25	GR27 GRF27	4P	41	26	31.94	2.2	3.20			12	85	105.49	4.2	1.50			14	73	90.96	4.2	1.70			52	20	25.23	2.1	4.10	57	19	23.15	2.0	4.40	66	16	19.71	1.9	5.20	77	14	16.99	1.8	6.00	83	13	15.84	1.8	6.40	95	11	13.84	1.7	7.40	101	10	12.98	1.7	7.90	114	9.2	11.45	1.6	8.50	129	8.2	10.15	1.6	9.20	152	6.9	8.63	1.5	10	174	6.1	7.55	1.4	8.90	186	5.7	7.04	1.4	9.50	213	4.9	6.15	1.3	11	227	4.6	5.76	1.3	11	257	4.1	5.09	1.3	12	290	3.6	4.51	1.2	13	342	3.1	3.83	1.1	14	216	5.2	6.07	4.1	8.60	253	4.4	5.18	3.8	17	289	3.9	4.53	3.7	22	305	3.7	4.30	3.6	22	238	4.7	5.50	3.2	8.50	258	4.3	5.07	3.1	8.60	301	3.7	4.35	3.0	19	346	3.2	3.79	2.8	22	369	3.0	3.55	2.8	24	417	2.7	3.14	2.7	25	450	2.5	2.91	2.6	28	496	2.3	2.64	2.5	31	553	2.0	2.37	2.4	35	642	1.7	2.04	2.3	41	682	1.6	1.92	2.3	43	794	1.4	1.65	2.1	49																																																																																																																																																																																	
7.0	155	186.89	7.5	2.90			7.6	143	172.17	7.5	3.20	GR57 GRF57	4P	23	46	57.35	2.4	1.80			8.9	123	147.92	7.6	3.70			10.2	107	128.77	7.6	4.20			4.8	227	176.88	5.5	1.35	5.2	209	162.94	5.5	1.45	GR47 GRF47	6P*	24	43	53.76	2.4	1.90			6.1	179	139.99	5.6	1.70	7.0	156	121.87	5.7	1.95	7.4	147	176.88	5.7	2.00	GR47 GRF47	4P	28	38	47.44	2.4	2.20			8.0	135	162.94	5.7	2.20			9.4	116	139.99	5.8	2.60			11	101	121.87	5.8	3.00			11	95	114.17	5.8	3.20			13	84	100.86	5.8	3.60			14	78	93.68	5.8	3.90	6.3	167	134.82	5.0	1.15			6.9	153	123.66	5.1	1.25	GR37 GRF37	6P*	30	36	44.18	2.4	2.30			8.1	131	105.28	5.3	1.50			9.4	113	90.77	5.4	1.75			10	105	84.61	5.5	1.85	11	92	73.96	5.6	2.10	9.7	109	134.82	5.5	1.80	GR37 GRF37	4P	34	31	38.61	2.3	2.70			11	100	123.66	5.5	1.95			12	85	105.28	5.6	2.30			14	73	90.77	5.6	2.70			15	68	84.61	5.7	2.80			18	60	73.96	5.7	3.30			6.9	154	123.91	3.9	0.80	8.1	131	105.49	4.0	0.95			GR27 GRF27	6P*	36	29	36.20	2.3	2.80			9.3	113	90.96			4.1	1.10	10	105	84.78			4.1	1.20	11	92	74.11	4.2	1.40	9.7	109	135.09	4.1	1.15	11	100	123.91	4.1	1.25	GR27 GRF27	4P	41	26	31.94	2.2	3.20			12	85	105.49	4.2	1.50			14	73	90.96	4.2	1.70			52	20	25.23	2.1	4.10	57	19	23.15	2.0	4.40	66	16	19.71	1.9	5.20	77	14	16.99	1.8	6.00	83	13	15.84	1.8	6.40	95	11	13.84	1.7	7.40	101	10	12.98	1.7	7.90	114	9.2	11.45	1.6	8.50	129	8.2	10.15	1.6	9.20	152	6.9	8.63	1.5	10	174	6.1	7.55	1.4	8.90	186	5.7	7.04	1.4	9.50	213	4.9	6.15	1.3	11	227	4.6	5.76	1.3	11	257	4.1	5.09	1.3	12	290	3.6	4.51	1.2	13	342	3.1	3.83	1.1	14	216	5.2	6.07	4.1	8.60	253	4.4	5.18	3.8	17	289	3.9	4.53	3.7	22	305	3.7	4.30	3.6	22	238	4.7	5.50	3.2	8.50	258	4.3	5.07	3.1	8.60	301	3.7	4.35	3.0	19	346	3.2	3.79	2.8	22	369	3.0	3.55	2.8	24	417	2.7	3.14	2.7	25	450	2.5	2.91	2.6	28	496	2.3	2.64	2.5	31	553	2.0	2.37	2.4	35	642	1.7	2.04	2.3	41	682	1.6	1.92	2.3	43	794	1.4	1.65	2.1	49																																																																																																																																																																																								
7.6	143	172.17	7.5	3.20	GR57 GRF57	4P	23	46	57.35	2.4	1.80			8.9	123	147.92	7.6	3.70			10.2	107	128.77	7.6	4.20			4.8	227	176.88	5.5	1.35	5.2	209	162.94	5.5	1.45	GR47 GRF47	6P*	24	43	53.76	2.4	1.90			6.1	179	139.99	5.6	1.70	7.0	156	121.87	5.7	1.95	7.4	147	176.88	5.7	2.00	GR47 GRF47	4P	28	38	47.44	2.4	2.20			8.0	135	162.94	5.7	2.20			9.4	116	139.99	5.8	2.60			11	101	121.87	5.8	3.00			11	95	114.17	5.8	3.20			13	84	100.86	5.8	3.60			14	78	93.68	5.8	3.90			6.3	167	134.82	5.0	1.15	6.9	153	123.66	5.1	1.25	GR37 GRF37	6P*	30	36	44.18	2.4	2.30			8.1	131	105.28	5.3	1.50			9.4	113	90.77	5.4	1.75			10	105	84.61	5.5	1.85	11	92	73.96	5.6	2.10	9.7	109	134.82	5.5	1.80	GR37 GRF37	4P	34	31	38.61	2.3	2.70			11	100	123.66	5.5	1.95			12	85	105.28	5.6	2.30			14	73	90.77	5.6	2.70			15	68	84.61	5.7	2.80			18	60	73.96	5.7	3.30			6.9	154	123.91	3.9	0.80			8.1	131	105.49	4.0	0.95	GR27 GRF27	6P*	36	29	36.20	2.3	2.80			9.3	113	90.96	4.1	1.10			10	105	84.78			4.1	1.20	11	92	74.11	4.2	1.40	9.7	109	135.09	4.1	1.15	11	100	123.91	4.1	1.25	GR27 GRF27	4P	41	26	31.94	2.2	3.20			12	85	105.49	4.2	1.50			14	73	90.96	4.2	1.70			52	20	25.23	2.1	4.10	57	19	23.15	2.0	4.40	66	16	19.71	1.9	5.20	77	14	16.99	1.8	6.00	83	13	15.84	1.8	6.40	95	11	13.84	1.7	7.40	101	10	12.98	1.7	7.90	114	9.2	11.45	1.6	8.50	129	8.2	10.15	1.6	9.20	152	6.9	8.63	1.5	10	174	6.1	7.55	1.4	8.90	186	5.7	7.04	1.4	9.50	213	4.9	6.15	1.3	11	227	4.6	5.76	1.3	11	257	4.1	5.09	1.3	12	290	3.6	4.51	1.2	13	342	3.1	3.83	1.1	14	216	5.2	6.07	4.1	8.60	253	4.4	5.18	3.8	17	289	3.9	4.53	3.7	22	305	3.7	4.30	3.6	22	238	4.7	5.50	3.2	8.50	258	4.3	5.07	3.1	8.60	301	3.7	4.35	3.0	19	346	3.2	3.79	2.8	22	369	3.0	3.55	2.8	24	417	2.7	3.14	2.7	25	450	2.5	2.91	2.6	28	496	2.3	2.64	2.5	31	553	2.0	2.37	2.4	35	642	1.7	2.04	2.3	41	682	1.6	1.92	2.3	43	794	1.4	1.65	2.1	49																																																																																																																																																																																															
8.9	123	147.92	7.6	3.70			10.2	107	128.77	7.6	4.20			4.8	227	176.88	5.5	1.35			5.2	209	162.94	5.5	1.45	GR47 GRF47	6P*	24	43	53.76	2.4	1.90	6.1	179	139.99	5.6	1.70			7.0	156	121.87	5.7	1.95	7.4	147	176.88	5.7	2.00	GR47 GRF47	4P	28	38	47.44	2.4	2.20	8.0	135	162.94	5.7	2.20			9.4	116	139.99	5.8	2.60			11	101	121.87	5.8	3.00			11	95	114.17	5.8	3.20			13	84	100.86	5.8	3.60			14	78	93.68	5.8	3.90			6.3	167	134.82	5.0	1.15			6.9	153	123.66	5.1	1.25	GR37 GRF37	6P*	30	36	44.18	2.4	2.30	8.1	131	105.28	5.3	1.50			9.4	113	90.77	5.4	1.75			10	105	84.61	5.5	1.85			11	92	73.96	5.6	2.10	9.7	109	134.82	5.5	1.80	GR37 GRF37	4P	34	31	38.61	2.3	2.70	11	100	123.66	5.5	1.95			12	85	105.28	5.6	2.30			14	73	90.77	5.6	2.70			15	68	84.61	5.7	2.80			18	60	73.96	5.7	3.30			6.9	154	123.91	3.9	0.80			8.1	131	105.49	4.0	0.95			GR27 GRF27	6P*	36	29	36.20	2.3	2.80	9.3	113	90.96	4.1	1.10			10	105	84.78	4.1	1.20			11	92	74.11	4.2	1.40			9.7	109	135.09	4.1	1.15	11	100	123.91	4.1	1.25	GR27 GRF27	4P	41	26	31.94	2.2	3.20	12	85	105.49	4.2	1.50			14	73	90.96	4.2	1.70			52	20	25.23	2.1	4.10			57	19	23.15	2.0	4.40	66	16	19.71	1.9	5.20	77	14	16.99	1.8	6.00	83	13	15.84	1.8	6.40	95	11	13.84	1.7	7.40	101	10	12.98	1.7	7.90	114	9.2	11.45	1.6	8.50	129	8.2	10.15	1.6	9.20	152	6.9	8.63	1.5	10	174	6.1	7.55	1.4	8.90	186	5.7	7.04	1.4	9.50	213	4.9	6.15	1.3	11	227	4.6	5.76	1.3	11	257	4.1	5.09	1.3	12	290	3.6	4.51	1.2	13	342	3.1	3.83	1.1	14	216	5.2	6.07	4.1	8.60	253	4.4	5.18	3.8	17	289	3.9	4.53	3.7	22	305	3.7	4.30	3.6	22	238	4.7	5.50	3.2	8.50	258	4.3	5.07	3.1	8.60	301	3.7	4.35	3.0	19	346	3.2	3.79	2.8	22	369	3.0	3.55	2.8	24	417	2.7	3.14	2.7	25	450	2.5	2.91	2.6	28	496	2.3	2.64	2.5	31	553	2.0	2.37	2.4	35	642	1.7	2.04	2.3	41	682	1.6	1.92	2.3	43	794	1.4	1.65	2.1	49																																																																																																																																																																																																											
10.2	107	128.77	7.6	4.20			4.8	227	176.88	5.5	1.35			5.2	209	162.94	5.5	1.45	GR47 GRF47	6P*	24	43	53.76	2.4	1.90			6.1	179	139.99	5.6	1.70	7.0	156	121.87	5.7	1.95	7.4	147	176.88	5.7	2.00	GR47 GRF47	4P	28	38	47.44	2.4	2.20			8.0	135	162.94	5.7	2.20	9.4	116	139.99	5.8	2.60			11	101	121.87	5.8	3.00			11	95	114.17	5.8	3.20			13	84	100.86	5.8	3.60			14	78	93.68	5.8	3.90			6.3	167	134.82	5.0	1.15			6.9	153	123.66	5.1	1.25	GR37 GRF37	6P*	30	36	44.18	2.4	2.30			8.1	131	105.28	5.3	1.50	9.4	113	90.77	5.4	1.75			10	105	84.61	5.5	1.85			11	92	73.96	5.6	2.10	9.7	109	134.82	5.5	1.80	GR37 GRF37	4P	34	31	38.61	2.3	2.70			11	100	123.66	5.5	1.95	12	85	105.28	5.6	2.30			14	73	90.77	5.6	2.70			15	68	84.61	5.7	2.80			18	60	73.96	5.7	3.30			6.9	154	123.91	3.9	0.80			8.1	131	105.49	4.0	0.95			GR27 GRF27	6P*	36	29	36.20	2.3	2.80			9.3	113	90.96	4.1	1.10	10	105	84.78	4.1	1.20			11	92	74.11	4.2	1.40			9.7	109	135.09	4.1	1.15	11	100	123.91	4.1	1.25	GR27 GRF27	4P	41	26	31.94	2.2	3.20			12	85	105.49	4.2	1.50	14	73	90.96	4.2	1.70			52	20	25.23	2.1	4.10			57	19	23.15	2.0	4.40	66	16	19.71	1.9	5.20	77	14	16.99	1.8	6.00	83	13	15.84	1.8	6.40	95	11	13.84	1.7	7.40	101	10	12.98	1.7	7.90	114	9.2	11.45	1.6	8.50	129	8.2	10.15	1.6	9.20	152	6.9	8.63	1.5	10	174	6.1	7.55	1.4	8.90	186	5.7	7.04	1.4	9.50	213	4.9	6.15	1.3	11	227	4.6	5.76	1.3	11	257	4.1	5.09	1.3	12	290	3.6	4.51	1.2	13	342	3.1	3.83	1.1	14	216	5.2	6.07	4.1	8.60	253	4.4	5.18	3.8	17	289	3.9	4.53	3.7	22	305	3.7	4.30	3.6	22	238	4.7	5.50	3.2	8.50	258	4.3	5.07	3.1	8.60	301	3.7	4.35	3.0	19	346	3.2	3.79	2.8	22	369	3.0	3.55	2.8	24	417	2.7	3.14	2.7	25	450	2.5	2.91	2.6	28	496	2.3	2.64	2.5	31	553	2.0	2.37	2.4	35	642	1.7	2.04	2.3	41	682	1.6	1.92	2.3	43	794	1.4	1.65	2.1	49																																																																																																																																																																																																																		
4.8	227	176.88	5.5	1.35			5.2	209	162.94	5.5	1.45	GR47 GRF47	6P*	24	43	53.76	2.4	1.90			6.1	179	139.99	5.6	1.70	7.0	156	121.87	5.7	1.95	7.4	147	176.88	5.7	2.00	GR47 GRF47	4P	28	38	47.44	2.4	2.20			8.0	135	162.94	5.7	2.20			9.4	116	139.99	5.8	2.60	11	101	121.87	5.8	3.00			11	95	114.17	5.8	3.20			13	84	100.86	5.8	3.60			14	78	93.68	5.8	3.90			6.3	167	134.82	5.0	1.15			6.9	153	123.66	5.1	1.25	GR37 GRF37	6P*	30	36	44.18	2.4	2.30			8.1	131	105.28	5.3	1.50			9.4	113	90.77	5.4	1.75	10	105	84.61	5.5	1.85			11	92	73.96	5.6	2.10	9.7	109	134.82	5.5	1.80	GR37 GRF37	4P	34	31	38.61	2.3	2.70			11	100	123.66	5.5	1.95			12	85	105.28	5.6	2.30	14	73	90.77	5.6	2.70			15	68	84.61	5.7	2.80			18	60	73.96	5.7	3.30			6.9	154	123.91	3.9	0.80			8.1	131	105.49	4.0	0.95			GR27 GRF27	6P*	36	29	36.20	2.3	2.80			9.3	113	90.96	4.1	1.10			10	105	84.78	4.1	1.20	11	92	74.11	4.2	1.40			9.7	109	135.09	4.1	1.15	11	100	123.91	4.1	1.25	GR27 GRF27	4P	41	26	31.94	2.2	3.20			12	85	105.49	4.2	1.50			14	73	90.96	4.2	1.70	52	20	25.23	2.1	4.10			57	19	23.15	2.0	4.40	66	16	19.71	1.9	5.20	77	14	16.99	1.8	6.00	83	13	15.84	1.8	6.40	95	11	13.84	1.7	7.40	101	10	12.98	1.7	7.90	114	9.2	11.45	1.6	8.50	129	8.2	10.15	1.6	9.20	152	6.9	8.63	1.5	10	174	6.1	7.55	1.4	8.90	186	5.7	7.04	1.4	9.50	213	4.9	6.15	1.3	11	227	4.6	5.76	1.3	11	257	4.1	5.09	1.3	12	290	3.6	4.51	1.2	13	342	3.1	3.83	1.1	14	216	5.2	6.07	4.1	8.60	253	4.4	5.18	3.8	17	289	3.9	4.53	3.7	22	305	3.7	4.30	3.6	22	238	4.7	5.50	3.2	8.50	258	4.3	5.07	3.1	8.60	301	3.7	4.35	3.0	19	346	3.2	3.79	2.8	22	369	3.0	3.55	2.8	24	417	2.7	3.14	2.7	25	450	2.5	2.91	2.6	28	496	2.3	2.64	2.5	31	553	2.0	2.37	2.4	35	642	1.7	2.04	2.3	41	682	1.6	1.92	2.3	43	794	1.4	1.65	2.1	49																																																																																																																																																																																																																									
5.2	209	162.94	5.5	1.45	GR47 GRF47	6P*	24	43	53.76	2.4	1.90			6.1	179	139.99	5.6	1.70	7.0	156	121.87	5.7	1.95	7.4	147	176.88	5.7	2.00	GR47 GRF47	4P	28	38	47.44	2.4	2.20			8.0	135	162.94	5.7	2.20			9.4	116	139.99	5.8	2.60			11	101	121.87	5.8	3.00	11	95	114.17	5.8	3.20			13	84	100.86	5.8	3.60			14	78	93.68	5.8	3.90			6.3	167	134.82	5.0	1.15			6.9	153	123.66	5.1	1.25	GR37 GRF37	6P*	30	36	44.18	2.4	2.30			8.1	131	105.28	5.3	1.50			9.4	113	90.77	5.4	1.75			10	105	84.61	5.5	1.85	11	92	73.96	5.6	2.10	9.7	109	134.82	5.5	1.80	GR37 GRF37	4P	34	31	38.61	2.3	2.70			11	100	123.66	5.5	1.95			12	85	105.28	5.6	2.30			14	73	90.77	5.6	2.70	15	68	84.61	5.7	2.80			18	60	73.96	5.7	3.30			6.9	154	123.91	3.9	0.80			8.1	131	105.49	4.0	0.95			GR27 GRF27	6P*	36	29	36.20	2.3	2.80			9.3	113	90.96	4.1	1.10			10	105	84.78	4.1	1.20			11	92	74.11	4.2	1.40	9.7	109	135.09	4.1	1.15	11	100	123.91	4.1	1.25	GR27 GRF27	4P	41	26	31.94	2.2	3.20			12	85	105.49	4.2	1.50			14	73	90.96	4.2	1.70			52	20	25.23	2.1	4.10	57	19	23.15	2.0	4.40	66	16	19.71	1.9	5.20	77	14	16.99	1.8	6.00	83	13	15.84	1.8	6.40	95	11	13.84	1.7	7.40	101	10	12.98	1.7	7.90	114	9.2	11.45	1.6	8.50	129	8.2	10.15	1.6	9.20	152	6.9	8.63	1.5	10	174	6.1	7.55	1.4	8.90	186	5.7	7.04	1.4	9.50	213	4.9	6.15	1.3	11	227	4.6	5.76	1.3	11	257	4.1	5.09	1.3	12	290	3.6	4.51	1.2	13	342	3.1	3.83	1.1	14	216	5.2	6.07	4.1	8.60	253	4.4	5.18	3.8	17	289	3.9	4.53	3.7	22	305	3.7	4.30	3.6	22	238	4.7	5.50	3.2	8.50	258	4.3	5.07	3.1	8.60	301	3.7	4.35	3.0	19	346	3.2	3.79	2.8	22	369	3.0	3.55	2.8	24	417	2.7	3.14	2.7	25	450	2.5	2.91	2.6	28	496	2.3	2.64	2.5	31	553	2.0	2.37	2.4	35	642	1.7	2.04	2.3	41	682	1.6	1.92	2.3	43	794	1.4	1.65	2.1	49																																																																																																																																																																																																																																
6.1	179	139.99	5.6	1.70			7.0	156	121.87	5.7	1.95	7.4	147	176.88	5.7	2.00	GR47 GRF47	4P	28	38	47.44	2.4	2.20	8.0	135	162.94	5.7	2.20			9.4	116	139.99	5.8	2.60			11	101	121.87	5.8	3.00			11	95	114.17	5.8	3.20			13	84	100.86	5.8	3.60	14	78	93.68	5.8	3.90			6.3	167	134.82	5.0	1.15			6.9	153	123.66	5.1	1.25			GR37 GRF37	6P*	30	36	44.18	2.4	2.30	8.1	131	105.28	5.3	1.50			9.4	113	90.77	5.4	1.75			10	105	84.61	5.5	1.85			11	92	73.96	5.6	2.10	9.7	109	134.82	5.5	1.80	GR37 GRF37	4P	34	31	38.61	2.3	2.70	11	100	123.66	5.5	1.95			12	85	105.28	5.6	2.30			14	73	90.77	5.6	2.70			15	68	84.61	5.7	2.80			18	60	73.96	5.7	3.30	6.9	154	123.91	3.9	0.80			8.1	131	105.49	4.0	0.95			GR27 GRF27	6P*	36	29	36.20			2.3	2.80	9.3	113	90.96	4.1	1.10			10	105	84.78	4.1	1.20			11	92	74.11	4.2	1.40			9.7	109	135.09	4.1	1.15	11	100	123.91	4.1	1.25	GR27 GRF27	4P	41	26	31.94	2.2	3.20	12	85	105.49	4.2	1.50			14	73	90.96	4.2	1.70			52	20	25.23	2.1	4.10			57	19	23.15	2.0	4.40	66	16	19.71	1.9	5.20	77	14	16.99	1.8	6.00	83	13	15.84	1.8	6.40	95	11	13.84	1.7	7.40	101	10	12.98	1.7	7.90	114	9.2	11.45	1.6	8.50	129	8.2	10.15	1.6	9.20	152	6.9	8.63	1.5	10	174	6.1	7.55	1.4	8.90	186	5.7	7.04	1.4	9.50	213	4.9	6.15	1.3	11	227	4.6	5.76	1.3	11	257	4.1	5.09	1.3	12	290	3.6	4.51	1.2	13	342	3.1	3.83	1.1	14	216	5.2	6.07	4.1	8.60	253	4.4	5.18	3.8	17	289	3.9	4.53	3.7	22	305	3.7	4.30	3.6	22	238	4.7	5.50	3.2	8.50	258	4.3	5.07	3.1	8.60	301	3.7	4.35	3.0	19	346	3.2	3.79	2.8	22	369	3.0	3.55	2.8	24	417	2.7	3.14	2.7	25	450	2.5	2.91	2.6	28	496	2.3	2.64	2.5	31	553	2.0	2.37	2.4	35	642	1.7	2.04	2.3	41	682	1.6	1.92	2.3	43	794	1.4	1.65	2.1	49																																																																																																																																																																																																																																												
7.0	156	121.87	5.7	1.95	7.4	147	176.88	5.7	2.00	GR47 GRF47	4P	28	38	47.44	2.4	2.20			8.0	135	162.94	5.7	2.20	9.4	116	139.99	5.8	2.60			11	101	121.87	5.8	3.00			11	95	114.17	5.8	3.20			13	84	100.86	5.8	3.60			14	78	93.68	5.8	3.90	6.3	167	134.82	5.0	1.15			6.9	153	123.66	5.1	1.25			GR37 GRF37	6P*	30	36	44.18	2.4	2.30			8.1	131	105.28	5.3	1.50	9.4	113	90.77	5.4	1.75			10	105	84.61	5.5	1.85			11	92	73.96	5.6	2.10	9.7	109	134.82	5.5	1.80	GR37 GRF37	4P	34	31	38.61	2.3	2.70			11	100	123.66	5.5	1.95	12	85	105.28	5.6	2.30			14	73	90.77	5.6	2.70			15	68	84.61	5.7	2.80			18	60	73.96	5.7	3.30			6.9	154	123.91	3.9	0.80	8.1	131	105.49	4.0	0.95			GR27 GRF27	6P*	36	29	36.20					2.3	2.80	9.3	113	90.96	4.1	1.10	10	105	84.78	4.1	1.20			11	92	74.11	4.2	1.40			9.7	109	135.09	4.1	1.15	11	100	123.91	4.1	1.25	GR27 GRF27	4P	41	26	31.94	2.2	3.20			12	85	105.49	4.2	1.50	14	73	90.96	4.2	1.70			52	20	25.23	2.1	4.10			57	19	23.15	2.0	4.40	66	16	19.71	1.9	5.20	77	14	16.99	1.8	6.00	83	13	15.84	1.8	6.40	95	11	13.84	1.7	7.40	101	10	12.98	1.7	7.90	114	9.2	11.45	1.6	8.50	129	8.2	10.15	1.6	9.20	152	6.9	8.63	1.5	10	174	6.1	7.55	1.4	8.90	186	5.7	7.04	1.4	9.50	213	4.9	6.15	1.3	11	227	4.6	5.76	1.3	11	257	4.1	5.09	1.3	12	290	3.6	4.51	1.2	13	342	3.1	3.83	1.1	14	216	5.2	6.07	4.1	8.60	253	4.4	5.18	3.8	17	289	3.9	4.53	3.7	22	305	3.7	4.30	3.6	22	238	4.7	5.50	3.2	8.50	258	4.3	5.07	3.1	8.60	301	3.7	4.35	3.0	19	346	3.2	3.79	2.8	22	369	3.0	3.55	2.8	24	417	2.7	3.14	2.7	25	450	2.5	2.91	2.6	28	496	2.3	2.64	2.5	31	553	2.0	2.37	2.4	35	642	1.7	2.04	2.3	41	682	1.6	1.92	2.3	43	794	1.4	1.65	2.1	49																																																																																																																																																																																																																																																			
7.4	147	176.88	5.7	2.00	GR47 GRF47	4P	28	38	47.44			2.4	2.20	8.0	135	162.94			5.7	2.20	9.4	116	139.99	5.8	2.60	11	101	121.87			5.8	3.00	11	95	114.17			5.8	3.20	13	84	100.86			5.8	3.60	14	78	93.68			5.8	3.90	6.3	167	134.82	5.0	1.15	6.9	153	123.66			5.1	1.25	GR37 GRF37	6P*	30	36	44.18			2.4	2.30	8.1	131	105.28			5.3	1.50	9.4	113	90.77	5.4	1.75	10	105	84.61			5.5	1.85	11	92	73.96	5.6	2.10	9.7	109	134.82	5.5	1.80	GR37 GRF37	4P	34	31	38.61			2.3	2.70	11	100	123.66			5.5	1.95	12	85	105.28	5.6	2.30	14	73	90.77			5.6	2.70	15	68	84.61			5.7	2.80	18	60	73.96			5.7	3.30	6.9	154	123.91			3.9	0.80	8.1	131	105.49	4.0	0.95	GR27 GRF27	6P*	36					29	36.20	2.3	2.80	9.3			113	90.96	4.1	1.10	10	105	84.78	4.1	1.20	11	92	74.11			4.2	1.40	9.7	109	135.09	4.1	1.15	11	100	123.91	4.1	1.25	GR27 GRF27	4P	41	26	31.94			2.2	3.20	12	85	105.49			4.2	1.50	14	73	90.96	4.2	1.70	52	20	25.23			2.1	4.10	57	19	23.15	2.0	4.40	66	16	19.71	1.9	5.20	77	14	16.99	1.8	6.00	83	13	15.84	1.8	6.40	95	11	13.84	1.7	7.40	101	10	12.98	1.7	7.90	114	9.2	11.45	1.6	8.50	129	8.2	10.15	1.6	9.20	152	6.9	8.63	1.5	10	174	6.1	7.55	1.4	8.90	186	5.7	7.04	1.4	9.50	213	4.9	6.15	1.3	11	227	4.6	5.76	1.3	11	257	4.1	5.09	1.3	12	290	3.6	4.51	1.2	13	342	3.1	3.83	1.1	14	216	5.2	6.07	4.1	8.60	253	4.4	5.18	3.8	17	289	3.9	4.53	3.7	22	305	3.7	4.30	3.6	22	238	4.7	5.50	3.2	8.50	258	4.3	5.07	3.1	8.60	301	3.7	4.35	3.0	19	346	3.2	3.79	2.8	22	369	3.0	3.55	2.8	24	417	2.7	3.14	2.7	25	450	2.5	2.91	2.6	28	496	2.3	2.64	2.5	31	553	2.0	2.37	2.4	35	642	1.7	2.04	2.3	41	682	1.6	1.92	2.3	43	794	1.4	1.65	2.1	49																																																																																																																																																																																																																																																								
8.0	135	162.94	5.7	2.20			9.4	116	139.99			5.8	2.60	11	101	121.87			5.8	3.00	11	95	114.17	5.8	3.20	13	84	100.86			5.8	3.60	14	78	93.68			5.8	3.90	6.3	167	134.82			5.0	1.15	6.9	153	123.66			5.1	1.25	GR37 GRF37	6P*	30	36	44.18	2.4	2.30	8.1	131	105.28	5.3	1.50			9.4	113	90.77			5.4	1.75	10	105	84.61			5.5	1.85	11	92	73.96	5.6	2.10	9.7	109	134.82	5.5	1.80	GR37 GRF37	4P	34	31	38.61	2.3	2.70	11	100	123.66	5.5	1.95			12	85	105.28			5.6	2.30	14	73	90.77			5.6	2.70	15	68	84.61	5.7	2.80	18	60	73.96			5.7	3.30	6.9	154	123.91			3.9	0.80	8.1	131	105.49			4.0	0.95	GR27 GRF27	6P*	36			29	36.20	2.3	2.80	9.3	113	90.96			4.1	1.10	10			105	84.78	4.1	1.20	11			92	74.11	4.2	1.40	9.7	109	135.09	4.1	1.15	11	100	123.91	4.1	1.25	GR27 GRF27	4P	41	26	31.94	2.2	3.20	12	85	105.49	4.2	1.50			14	73	90.96			4.2	1.70	52	20	25.23			2.1	4.10	57	19	23.15	2.0	4.40	66	16	19.71	1.9	5.20	77	14	16.99	1.8	6.00	83	13	15.84	1.8	6.40	95	11	13.84	1.7	7.40	101	10	12.98	1.7	7.90	114	9.2	11.45	1.6	8.50	129	8.2	10.15	1.6	9.20	152	6.9	8.63	1.5	10	174	6.1	7.55	1.4	8.90	186	5.7	7.04	1.4	9.50	213	4.9	6.15	1.3	11	227	4.6	5.76	1.3	11	257	4.1	5.09	1.3	12	290	3.6	4.51	1.2	13	342	3.1	3.83	1.1	14	216	5.2	6.07	4.1	8.60	253	4.4	5.18	3.8	17	289	3.9	4.53	3.7	22	305	3.7	4.30	3.6	22	238	4.7	5.50	3.2	8.50	258	4.3	5.07	3.1	8.60	301	3.7	4.35	3.0	19	346	3.2	3.79	2.8	22	369	3.0	3.55	2.8	24	417	2.7	3.14	2.7	25	450	2.5	2.91	2.6	28	496	2.3	2.64	2.5	31	553	2.0	2.37	2.4	35	642	1.7	2.04	2.3	41	682	1.6	1.92	2.3	43	794	1.4	1.65	2.1	49																																																																																																																																																																																																																																																																				
9.4	116	139.99	5.8	2.60			11	101	121.87			5.8	3.00	11	95	114.17			5.8	3.20	13	84	100.86	5.8	3.60	14	78	93.68			5.8	3.90	6.3	167	134.82			5.0	1.15	6.9	153	123.66			5.1	1.25	GR37 GRF37	6P*	30	36	44.18	2.4	2.30			8.1	131	105.28	5.3	1.50	9.4	113	90.77	5.4	1.75			10	105	84.61			5.5	1.85	11	92	73.96	5.6	2.10	9.7	109	134.82	5.5	1.80	GR37 GRF37	4P	34	31	38.61	2.3	2.70			11	100	123.66	5.5	1.95	12	85	105.28	5.6	2.30			14	73	90.77			5.6	2.70	15	68	84.61			5.7	2.80	18	60	73.96	5.7	3.30	6.9	154	123.91			3.9	0.80	8.1	131	105.49			4.0	0.95	GR27 GRF27	6P*	36			29	36.20			2.3	2.80	9.3	113	90.96	4.1	1.10	10	105	84.78			4.1	1.20	11			92	74.11	4.2	1.40	9.7	109	135.09	4.1	1.15	11	100	123.91	4.1	1.25	GR27 GRF27	4P	41	26	31.94	2.2	3.20			12	85	105.49	4.2	1.50	14	73	90.96	4.2	1.70			52	20	25.23			2.1	4.10	57	19	23.15	2.0	4.40	66	16	19.71	1.9	5.20	77	14	16.99	1.8	6.00	83	13	15.84	1.8	6.40	95	11	13.84	1.7	7.40	101	10	12.98	1.7	7.90	114	9.2	11.45	1.6	8.50	129	8.2	10.15	1.6	9.20	152	6.9	8.63	1.5	10	174	6.1	7.55	1.4	8.90	186	5.7	7.04	1.4	9.50	213	4.9	6.15	1.3	11	227	4.6	5.76	1.3	11	257	4.1	5.09	1.3	12	290	3.6	4.51	1.2	13	342	3.1	3.83	1.1	14	216	5.2	6.07	4.1	8.60	253	4.4	5.18	3.8	17	289	3.9	4.53	3.7	22	305	3.7	4.30	3.6	22	238	4.7	5.50	3.2	8.50	258	4.3	5.07	3.1	8.60	301	3.7	4.35	3.0	19	346	3.2	3.79	2.8	22	369	3.0	3.55	2.8	24	417	2.7	3.14	2.7	25	450	2.5	2.91	2.6	28	496	2.3	2.64	2.5	31	553	2.0	2.37	2.4	35	642	1.7	2.04	2.3	41	682	1.6	1.92	2.3	43	794	1.4	1.65	2.1	49																																																																																																																																																																																																																																																																											
11	101	121.87	5.8	3.00			11	95	114.17			5.8	3.20	13	84	100.86			5.8	3.60	14	78	93.68	5.8	3.90	6.3	167	134.82			5.0	1.15	6.9	153	123.66			5.1	1.25	GR37 GRF37	6P*	30	36	44.18	2.4	2.30			8.1	131	105.28	5.3	1.50			9.4	113	90.77	5.4	1.75	10	105	84.61	5.5	1.85			11	92	73.96	5.6	2.10	9.7	109	134.82	5.5	1.80	GR37 GRF37	4P	34	31	38.61	2.3	2.70			11	100	123.66	5.5	1.95			12	85	105.28	5.6	2.30	14	73	90.77	5.6	2.70			15	68	84.61			5.7	2.80	18	60	73.96			5.7	3.30	6.9	154	123.91	3.9	0.80	8.1	131	105.49			4.0	0.95	GR27 GRF27	6P*	36			29	36.20			2.3	2.80	9.3	113	90.96			4.1	1.10	10	105	84.78	4.1	1.20	11	92	74.11			4.2	1.40	9.7	109	135.09	4.1	1.15	11	100	123.91	4.1	1.25	GR27 GRF27	4P	41	26	31.94	2.2	3.20			12	85	105.49	4.2	1.50			14	73	90.96	4.2	1.70	52	20	25.23	2.1	4.10			57	19	23.15	2.0	4.40	66	16	19.71	1.9	5.20	77	14	16.99	1.8	6.00	83	13	15.84	1.8	6.40	95	11	13.84	1.7	7.40	101	10	12.98	1.7	7.90	114	9.2	11.45	1.6	8.50	129	8.2	10.15	1.6	9.20	152	6.9	8.63	1.5	10	174	6.1	7.55	1.4	8.90	186	5.7	7.04	1.4	9.50	213	4.9	6.15	1.3	11	227	4.6	5.76	1.3	11	257	4.1	5.09	1.3	12	290	3.6	4.51	1.2	13	342	3.1	3.83	1.1	14	216	5.2	6.07	4.1	8.60	253	4.4	5.18	3.8	17	289	3.9	4.53	3.7	22	305	3.7	4.30	3.6	22	238	4.7	5.50	3.2	8.50	258	4.3	5.07	3.1	8.60	301	3.7	4.35	3.0	19	346	3.2	3.79	2.8	22	369	3.0	3.55	2.8	24	417	2.7	3.14	2.7	25	450	2.5	2.91	2.6	28	496	2.3	2.64	2.5	31	553	2.0	2.37	2.4	35	642	1.7	2.04	2.3	41	682	1.6	1.92	2.3	43	794	1.4	1.65	2.1	49																																																																																																																																																																																																																																																																																		
11	95	114.17	5.8	3.20			13	84	100.86			5.8	3.60	14	78	93.68			5.8	3.90	6.3	167	134.82	5.0	1.15	6.9	153	123.66			5.1	1.25	GR37 GRF37	6P*	30	36	44.18	2.4	2.30			8.1	131	105.28	5.3	1.50			9.4	113	90.77	5.4	1.75			10	105	84.61	5.5	1.85	11	92	73.96	5.6	2.10	9.7	109	134.82	5.5	1.80	GR37 GRF37	4P	34	31	38.61	2.3	2.70			11	100	123.66	5.5	1.95			12	85	105.28	5.6	2.30			14	73	90.77	5.6	2.70	15	68	84.61	5.7	2.80			18	60	73.96			5.7	3.30	6.9	154	123.91			3.9	0.80	8.1	131	105.49	4.0	0.95	GR27 GRF27	6P*	36			29	36.20			2.3	2.80	9.3	113	90.96			4.1	1.10	10	105	84.78			4.1	1.20	11	92	74.11	4.2	1.40	9.7	109	135.09	4.1	1.15	11	100	123.91	4.1	1.25	GR27 GRF27	4P	41	26	31.94	2.2	3.20			12	85	105.49	4.2	1.50			14	73	90.96	4.2	1.70			52	20	25.23	2.1	4.10	57	19	23.15	2.0	4.40	66	16	19.71	1.9	5.20	77	14	16.99	1.8	6.00	83	13	15.84	1.8	6.40	95	11	13.84	1.7	7.40	101	10	12.98	1.7	7.90	114	9.2	11.45	1.6	8.50	129	8.2	10.15	1.6	9.20	152	6.9	8.63	1.5	10	174	6.1	7.55	1.4	8.90	186	5.7	7.04	1.4	9.50	213	4.9	6.15	1.3	11	227	4.6	5.76	1.3	11	257	4.1	5.09	1.3	12	290	3.6	4.51	1.2	13	342	3.1	3.83	1.1	14	216	5.2	6.07	4.1	8.60	253	4.4	5.18	3.8	17	289	3.9	4.53	3.7	22	305	3.7	4.30	3.6	22	238	4.7	5.50	3.2	8.50	258	4.3	5.07	3.1	8.60	301	3.7	4.35	3.0	19	346	3.2	3.79	2.8	22	369	3.0	3.55	2.8	24	417	2.7	3.14	2.7	25	450	2.5	2.91	2.6	28	496	2.3	2.64	2.5	31	553	2.0	2.37	2.4	35	642	1.7	2.04	2.3	41	682	1.6	1.92	2.3	43	794	1.4	1.65	2.1	49																																																																																																																																																																																																																																																																																									
13	84	100.86	5.8	3.60			14	78	93.68			5.8	3.90	6.3	167	134.82			5.0	1.15	6.9	153	123.66	5.1	1.25	GR37 GRF37	6P*	30	36	44.18	2.4	2.30			8.1	131	105.28	5.3	1.50			9.4	113	90.77	5.4	1.75			10	105	84.61	5.5	1.85	11	92	73.96	5.6	2.10	9.7	109	134.82	5.5	1.80	GR37 GRF37	4P	34	31	38.61	2.3	2.70			11	100	123.66	5.5	1.95			12	85	105.28	5.6	2.30			14	73	90.77	5.6	2.70			15	68	84.61	5.7	2.80	18	60	73.96	5.7	3.30			6.9	154	123.91			3.9	0.80	8.1	131	105.49			4.0	0.95	GR27 GRF27	6P*	36	29	36.20			2.3	2.80	9.3	113	90.96			4.1	1.10	10	105	84.78			4.1	1.20	11	92	74.11	4.2	1.40	9.7	109	135.09	4.1	1.15	11	100	123.91	4.1	1.25	GR27 GRF27	4P	41	26	31.94	2.2	3.20			12	85	105.49	4.2	1.50			14	73	90.96	4.2	1.70			52	20	25.23	2.1	4.10	57	19	23.15	2.0	4.40	66	16	19.71	1.9	5.20	77	14	16.99	1.8	6.00	83	13	15.84	1.8	6.40	95	11	13.84	1.7	7.40	101	10	12.98	1.7	7.90	114	9.2	11.45	1.6	8.50	129	8.2	10.15	1.6	9.20	152	6.9	8.63	1.5	10	174	6.1	7.55	1.4	8.90	186	5.7	7.04	1.4	9.50	213	4.9	6.15	1.3	11	227	4.6	5.76	1.3	11	257	4.1	5.09	1.3	12	290	3.6	4.51	1.2	13	342	3.1	3.83	1.1	14	216	5.2	6.07	4.1	8.60	253	4.4	5.18	3.8	17	289	3.9	4.53	3.7	22	305	3.7	4.30	3.6	22	238	4.7	5.50	3.2	8.50	258	4.3	5.07	3.1	8.60	301	3.7	4.35	3.0	19	346	3.2	3.79	2.8	22	369	3.0	3.55	2.8	24	417	2.7	3.14	2.7	25	450	2.5	2.91	2.6	28	496	2.3	2.64	2.5	31	553	2.0	2.37	2.4	35	642	1.7	2.04	2.3	41	682	1.6	1.92	2.3	43	794	1.4	1.65	2.1	49																																																																																																																																																																																																																																																																																																
14	78	93.68	5.8	3.90			6.3	167	134.82			5.0	1.15	6.9	153	123.66	5.1	1.25	GR37 GRF37	6P*	30	36	44.18	2.4	2.30			8.1	131	105.28	5.3	1.50			9.4	113	90.77	5.4	1.75			10	105	84.61	5.5	1.85	11	92	73.96	5.6	2.10	9.7	109	134.82	5.5	1.80	GR37 GRF37	4P	34	31	38.61	2.3	2.70			11	100	123.66	5.5	1.95			12	85	105.28	5.6	2.30			14	73	90.77	5.6	2.70			15	68	84.61	5.7	2.80			18	60	73.96	5.7	3.30	6.9	154	123.91	3.9	0.80			8.1	131	105.49			4.0	0.95	GR27 GRF27	6P*	36	29	36.20	2.3	2.80			9.3	113	90.96			4.1	1.10	10	105	84.78			4.1	1.20	11	92	74.11	4.2	1.40	9.7	109	135.09	4.1	1.15	11	100	123.91	4.1	1.25	GR27 GRF27	4P	41	26	31.94	2.2	3.20			12	85	105.49	4.2	1.50			14	73	90.96	4.2	1.70			52	20	25.23	2.1	4.10	57	19	23.15	2.0	4.40	66	16	19.71	1.9	5.20	77	14	16.99	1.8	6.00	83	13	15.84	1.8	6.40	95	11	13.84	1.7	7.40	101	10	12.98	1.7	7.90	114	9.2	11.45	1.6	8.50	129	8.2	10.15	1.6	9.20	152	6.9	8.63	1.5	10	174	6.1	7.55	1.4	8.90	186	5.7	7.04	1.4	9.50	213	4.9	6.15	1.3	11	227	4.6	5.76	1.3	11	257	4.1	5.09	1.3	12	290	3.6	4.51	1.2	13	342	3.1	3.83	1.1	14	216	5.2	6.07	4.1	8.60	253	4.4	5.18	3.8	17	289	3.9	4.53	3.7	22	305	3.7	4.30	3.6	22	238	4.7	5.50	3.2	8.50	258	4.3	5.07	3.1	8.60	301	3.7	4.35	3.0	19	346	3.2	3.79	2.8	22	369	3.0	3.55	2.8	24	417	2.7	3.14	2.7	25	450	2.5	2.91	2.6	28	496	2.3	2.64	2.5	31	553	2.0	2.37	2.4	35	642	1.7	2.04	2.3	41	682	1.6	1.92	2.3	43	794	1.4	1.65	2.1	49																																																																																																																																																																																																																																																																																																							
6.3	167	134.82	5.0	1.15			6.9	153	123.66	5.1	1.25	GR37 GRF37	6P*	30	36	44.18	2.4	2.30			8.1	131	105.28	5.3	1.50			9.4	113	90.77	5.4	1.75			10	105	84.61	5.5	1.85	11	92	73.96	5.6	2.10	9.7	109	134.82	5.5	1.80	GR37 GRF37	4P	34	31	38.61	2.3	2.70			11	100	123.66	5.5	1.95			12	85	105.28	5.6	2.30			14	73	90.77	5.6	2.70			15	68	84.61	5.7	2.80			18	60	73.96	5.7	3.30			6.9	154	123.91	3.9	0.80	8.1	131	105.49	4.0	0.95			GR27 GRF27	6P*	36	29	36.20	2.3	2.80			9.3	113	90.96	4.1	1.10			10	105	84.78			4.1	1.20	11	92	74.11	4.2	1.40	9.7	109	135.09	4.1	1.15	11	100	123.91	4.1	1.25	GR27 GRF27	4P	41	26	31.94	2.2	3.20			12	85	105.49	4.2	1.50			14	73	90.96	4.2	1.70			52	20	25.23	2.1	4.10	57	19	23.15	2.0	4.40	66	16	19.71	1.9	5.20	77	14	16.99	1.8	6.00	83	13	15.84	1.8	6.40	95	11	13.84	1.7	7.40	101	10	12.98	1.7	7.90	114	9.2	11.45	1.6	8.50	129	8.2	10.15	1.6	9.20	152	6.9	8.63	1.5	10	174	6.1	7.55	1.4	8.90	186	5.7	7.04	1.4	9.50	213	4.9	6.15	1.3	11	227	4.6	5.76	1.3	11	257	4.1	5.09	1.3	12	290	3.6	4.51	1.2	13	342	3.1	3.83	1.1	14	216	5.2	6.07	4.1	8.60	253	4.4	5.18	3.8	17	289	3.9	4.53	3.7	22	305	3.7	4.30	3.6	22	238	4.7	5.50	3.2	8.50	258	4.3	5.07	3.1	8.60	301	3.7	4.35	3.0	19	346	3.2	3.79	2.8	22	369	3.0	3.55	2.8	24	417	2.7	3.14	2.7	25	450	2.5	2.91	2.6	28	496	2.3	2.64	2.5	31	553	2.0	2.37	2.4	35	642	1.7	2.04	2.3	41	682	1.6	1.92	2.3	43	794	1.4	1.65	2.1	49																																																																																																																																																																																																																																																																																																														
6.9	153	123.66	5.1	1.25	GR37 GRF37	6P*	30	36	44.18	2.4	2.30			8.1	131	105.28	5.3	1.50			9.4	113	90.77	5.4	1.75			10	105	84.61	5.5	1.85	11	92	73.96	5.6	2.10	9.7	109	134.82	5.5	1.80	GR37 GRF37	4P	34	31	38.61	2.3	2.70			11	100	123.66	5.5	1.95			12	85	105.28	5.6	2.30			14	73	90.77	5.6	2.70			15	68	84.61	5.7	2.80			18	60	73.96	5.7	3.30			6.9	154	123.91	3.9	0.80			8.1	131	105.49	4.0	0.95	GR27 GRF27	6P*	36	29	36.20	2.3	2.80			9.3	113	90.96	4.1	1.10			10	105	84.78	4.1	1.20			11	92	74.11	4.2	1.40	9.7	109	135.09	4.1	1.15	11	100	123.91	4.1	1.25	GR27 GRF27	4P	41	26	31.94	2.2	3.20			12	85	105.49	4.2	1.50			14	73	90.96	4.2	1.70			52	20	25.23	2.1	4.10	57	19	23.15	2.0	4.40	66	16	19.71	1.9	5.20	77	14	16.99	1.8	6.00	83	13	15.84	1.8	6.40	95	11	13.84	1.7	7.40	101	10	12.98	1.7	7.90	114	9.2	11.45	1.6	8.50	129	8.2	10.15	1.6	9.20	152	6.9	8.63	1.5	10	174	6.1	7.55	1.4	8.90	186	5.7	7.04	1.4	9.50	213	4.9	6.15	1.3	11	227	4.6	5.76	1.3	11	257	4.1	5.09	1.3	12	290	3.6	4.51	1.2	13	342	3.1	3.83	1.1	14	216	5.2	6.07	4.1	8.60	253	4.4	5.18	3.8	17	289	3.9	4.53	3.7	22	305	3.7	4.30	3.6	22	238	4.7	5.50	3.2	8.50	258	4.3	5.07	3.1	8.60	301	3.7	4.35	3.0	19	346	3.2	3.79	2.8	22	369	3.0	3.55	2.8	24	417	2.7	3.14	2.7	25	450	2.5	2.91	2.6	28	496	2.3	2.64	2.5	31	553	2.0	2.37	2.4	35	642	1.7	2.04	2.3	41	682	1.6	1.92	2.3	43	794	1.4	1.65	2.1	49																																																																																																																																																																																																																																																																																																																					
8.1	131	105.28	5.3	1.50			9.4	113	90.77	5.4	1.75			10	105	84.61	5.5	1.85			11	92	73.96	5.6	2.10	9.7	109	134.82	5.5	1.80	GR37 GRF37	4P	34	31	38.61	2.3	2.70	11	100	123.66	5.5	1.95			12	85	105.28	5.6	2.30			14	73	90.77	5.6	2.70			15	68	84.61	5.7	2.80			18	60	73.96	5.7	3.30			6.9	154	123.91	3.9	0.80			8.1	131	105.49	4.0	0.95			GR27 GRF27	6P*	36	29	36.20	2.3	2.80	9.3	113	90.96	4.1	1.10			10	105	84.78	4.1	1.20			11	92	74.11	4.2	1.40			9.7	109	135.09	4.1	1.15	11	100	123.91	4.1	1.25	GR27 GRF27	4P	41	26	31.94	2.2	3.20	12	85	105.49	4.2	1.50			14	73	90.96	4.2	1.70			52	20	25.23	2.1	4.10			57	19	23.15	2.0	4.40	66	16	19.71	1.9	5.20	77	14	16.99	1.8	6.00	83	13	15.84	1.8	6.40	95	11	13.84	1.7	7.40	101	10	12.98	1.7	7.90	114	9.2	11.45	1.6	8.50	129	8.2	10.15	1.6	9.20	152	6.9	8.63	1.5	10	174	6.1	7.55	1.4	8.90	186	5.7	7.04	1.4	9.50	213	4.9	6.15	1.3	11	227	4.6	5.76	1.3	11	257	4.1	5.09	1.3	12	290	3.6	4.51	1.2	13	342	3.1	3.83	1.1	14	216	5.2	6.07	4.1	8.60	253	4.4	5.18	3.8	17	289	3.9	4.53	3.7	22	305	3.7	4.30	3.6	22	238	4.7	5.50	3.2	8.50	258	4.3	5.07	3.1	8.60	301	3.7	4.35	3.0	19	346	3.2	3.79	2.8	22	369	3.0	3.55	2.8	24	417	2.7	3.14	2.7	25	450	2.5	2.91	2.6	28	496	2.3	2.64	2.5	31	553	2.0	2.37	2.4	35	642	1.7	2.04	2.3	41	682	1.6	1.92	2.3	43	794	1.4	1.65	2.1	49																																																																																																																																																																																																																																																																																																																																	
9.4	113	90.77	5.4	1.75			10	105	84.61	5.5	1.85			11	92	73.96	5.6	2.10	9.7	109	134.82	5.5	1.80	GR37 GRF37	4P	34	31	38.61	2.3	2.70			11	100	123.66	5.5	1.95	12	85	105.28	5.6	2.30			14	73	90.77	5.6	2.70			15	68	84.61	5.7	2.80			18	60	73.96	5.7	3.30			6.9	154	123.91	3.9	0.80			8.1	131	105.49	4.0	0.95			GR27 GRF27	6P*	36	29	36.20	2.3	2.80			9.3	113	90.96	4.1	1.10	10	105	84.78	4.1	1.20			11	92	74.11	4.2	1.40			9.7	109	135.09	4.1	1.15	11	100	123.91	4.1	1.25	GR27 GRF27	4P	41	26	31.94	2.2	3.20			12	85	105.49	4.2	1.50	14	73	90.96	4.2	1.70			52	20	25.23	2.1	4.10			57	19	23.15	2.0	4.40	66	16	19.71	1.9	5.20	77	14	16.99	1.8	6.00	83	13	15.84	1.8	6.40	95	11	13.84	1.7	7.40	101	10	12.98	1.7	7.90	114	9.2	11.45	1.6	8.50	129	8.2	10.15	1.6	9.20	152	6.9	8.63	1.5	10	174	6.1	7.55	1.4	8.90	186	5.7	7.04	1.4	9.50	213	4.9	6.15	1.3	11	227	4.6	5.76	1.3	11	257	4.1	5.09	1.3	12	290	3.6	4.51	1.2	13	342	3.1	3.83	1.1	14	216	5.2	6.07	4.1	8.60	253	4.4	5.18	3.8	17	289	3.9	4.53	3.7	22	305	3.7	4.30	3.6	22	238	4.7	5.50	3.2	8.50	258	4.3	5.07	3.1	8.60	301	3.7	4.35	3.0	19	346	3.2	3.79	2.8	22	369	3.0	3.55	2.8	24	417	2.7	3.14	2.7	25	450	2.5	2.91	2.6	28	496	2.3	2.64	2.5	31	553	2.0	2.37	2.4	35	642	1.7	2.04	2.3	41	682	1.6	1.92	2.3	43	794	1.4	1.65	2.1	49																																																																																																																																																																																																																																																																																																																																								
10	105	84.61	5.5	1.85			11	92	73.96	5.6	2.10	9.7	109	134.82	5.5	1.80	GR37 GRF37	4P	34	31	38.61	2.3	2.70			11	100	123.66	5.5	1.95			12	85	105.28	5.6	2.30	14	73	90.77	5.6	2.70			15	68	84.61	5.7	2.80			18	60	73.96	5.7	3.30			6.9	154	123.91	3.9	0.80			8.1	131	105.49	4.0	0.95			GR27 GRF27	6P*	36	29	36.20	2.3	2.80			9.3	113	90.96	4.1	1.10			10	105	84.78	4.1	1.20	11	92	74.11	4.2	1.40			9.7	109	135.09	4.1	1.15	11	100	123.91	4.1	1.25	GR27 GRF27	4P	41	26	31.94	2.2	3.20			12	85	105.49	4.2	1.50			14	73	90.96	4.2	1.70	52	20	25.23	2.1	4.10			57	19	23.15	2.0	4.40	66	16	19.71	1.9	5.20	77	14	16.99	1.8	6.00	83	13	15.84	1.8	6.40	95	11	13.84	1.7	7.40	101	10	12.98	1.7	7.90	114	9.2	11.45	1.6	8.50	129	8.2	10.15	1.6	9.20	152	6.9	8.63	1.5	10	174	6.1	7.55	1.4	8.90	186	5.7	7.04	1.4	9.50	213	4.9	6.15	1.3	11	227	4.6	5.76	1.3	11	257	4.1	5.09	1.3	12	290	3.6	4.51	1.2	13	342	3.1	3.83	1.1	14	216	5.2	6.07	4.1	8.60	253	4.4	5.18	3.8	17	289	3.9	4.53	3.7	22	305	3.7	4.30	3.6	22	238	4.7	5.50	3.2	8.50	258	4.3	5.07	3.1	8.60	301	3.7	4.35	3.0	19	346	3.2	3.79	2.8	22	369	3.0	3.55	2.8	24	417	2.7	3.14	2.7	25	450	2.5	2.91	2.6	28	496	2.3	2.64	2.5	31	553	2.0	2.37	2.4	35	642	1.7	2.04	2.3	41	682	1.6	1.92	2.3	43	794	1.4	1.65	2.1	49																																																																																																																																																																																																																																																																																																																																															
11	92	73.96	5.6	2.10	9.7	109	134.82	5.5	1.80	GR37 GRF37	4P	34	31	38.61	2.3	2.70			11	100	123.66	5.5	1.95			12	85	105.28	5.6	2.30			14	73	90.77	5.6	2.70	15	68	84.61	5.7	2.80			18	60	73.96	5.7	3.30			6.9	154	123.91	3.9	0.80			8.1	131	105.49	4.0	0.95			GR27 GRF27	6P*	36	29	36.20	2.3	2.80			9.3	113	90.96	4.1	1.10			10	105	84.78	4.1	1.20			11	92	74.11	4.2	1.40	9.7	109	135.09	4.1	1.15	11	100	123.91	4.1	1.25	GR27 GRF27	4P	41	26	31.94	2.2	3.20			12	85	105.49	4.2	1.50			14	73	90.96	4.2	1.70			52	20	25.23	2.1	4.10	57	19	23.15	2.0	4.40	66	16	19.71	1.9	5.20	77	14	16.99	1.8	6.00	83	13	15.84	1.8	6.40	95	11	13.84	1.7	7.40	101	10	12.98	1.7	7.90	114	9.2	11.45	1.6	8.50	129	8.2	10.15	1.6	9.20	152	6.9	8.63	1.5	10	174	6.1	7.55	1.4	8.90	186	5.7	7.04	1.4	9.50	213	4.9	6.15	1.3	11	227	4.6	5.76	1.3	11	257	4.1	5.09	1.3	12	290	3.6	4.51	1.2	13	342	3.1	3.83	1.1	14	216	5.2	6.07	4.1	8.60	253	4.4	5.18	3.8	17	289	3.9	4.53	3.7	22	305	3.7	4.30	3.6	22	238	4.7	5.50	3.2	8.50	258	4.3	5.07	3.1	8.60	301	3.7	4.35	3.0	19	346	3.2	3.79	2.8	22	369	3.0	3.55	2.8	24	417	2.7	3.14	2.7	25	450	2.5	2.91	2.6	28	496	2.3	2.64	2.5	31	553	2.0	2.37	2.4	35	642	1.7	2.04	2.3	41	682	1.6	1.92	2.3	43	794	1.4	1.65	2.1	49																																																																																																																																																																																																																																																																																																																																																						
9.7	109	134.82	5.5	1.80	GR37 GRF37	4P	34	31	38.61			2.3	2.70	11	100	123.66			5.5	1.95	12	85	105.28			5.6	2.30	14	73	90.77			5.6	2.70	15	68	84.61	5.7	2.80	18	60	73.96			5.7	3.30	6.9	154	123.91			3.9	0.80	8.1	131	105.49			4.0	0.95	GR27 GRF27	6P*	36	29	36.20			2.3	2.80	9.3	113	90.96			4.1	1.10	10	105	84.78			4.1	1.20	11	92	74.11	4.2	1.40	9.7	109	135.09	4.1	1.15	11	100	123.91	4.1	1.25	GR27 GRF27	4P	41	26	31.94			2.2	3.20	12	85	105.49			4.2	1.50	14	73	90.96			4.2	1.70	52	20	25.23	2.1	4.10	57	19	23.15	2.0	4.40	66	16	19.71	1.9	5.20	77	14	16.99	1.8	6.00	83	13	15.84	1.8	6.40	95	11	13.84	1.7	7.40	101	10	12.98	1.7	7.90	114	9.2	11.45	1.6	8.50	129	8.2	10.15	1.6	9.20	152	6.9	8.63	1.5	10	174	6.1	7.55	1.4	8.90	186	5.7	7.04	1.4	9.50	213	4.9	6.15	1.3	11	227	4.6	5.76	1.3	11	257	4.1	5.09	1.3	12	290	3.6	4.51	1.2	13	342	3.1	3.83	1.1	14	216	5.2	6.07	4.1	8.60	253	4.4	5.18	3.8	17	289	3.9	4.53	3.7	22	305	3.7	4.30	3.6	22	238	4.7	5.50	3.2	8.50	258	4.3	5.07	3.1	8.60	301	3.7	4.35	3.0	19	346	3.2	3.79	2.8	22	369	3.0	3.55	2.8	24	417	2.7	3.14	2.7	25	450	2.5	2.91	2.6	28	496	2.3	2.64	2.5	31	553	2.0	2.37	2.4	35	642	1.7	2.04	2.3	41	682	1.6	1.92	2.3	43	794	1.4	1.65	2.1	49																																																																																																																																																																																																																																																																																																																																																											
11	100	123.66	5.5	1.95			12	85	105.28			5.6	2.30	14	73	90.77			5.6	2.70	15	68	84.61			5.7	2.80	18	60	73.96			5.7	3.30	6.9	154	123.91	3.9	0.80	8.1	131	105.49			4.0	0.95	GR27 GRF27	6P*	36			29	36.20	2.3	2.80	9.3	113	90.96	4.1	1.10			10	105	84.78			4.1	1.20	11	92	74.11			4.2	1.40	9.7	109	135.09	4.1	1.15	11	100	123.91	4.1	1.25	GR27 GRF27	4P	41	26	31.94	2.2	3.20	12	85	105.49	4.2	1.50			14	73	90.96			4.2	1.70	52	20	25.23			2.1	4.10	57	19	23.15	2.0	4.40	66	16	19.71	1.9	5.20	77	14	16.99	1.8	6.00	83	13	15.84	1.8	6.40	95	11	13.84	1.7	7.40	101	10	12.98	1.7	7.90	114	9.2	11.45	1.6	8.50	129	8.2	10.15	1.6	9.20	152	6.9	8.63	1.5	10	174	6.1	7.55	1.4	8.90	186	5.7	7.04	1.4	9.50	213	4.9	6.15	1.3	11	227	4.6	5.76	1.3	11	257	4.1	5.09	1.3	12	290	3.6	4.51	1.2	13	342	3.1	3.83	1.1	14	216	5.2	6.07	4.1	8.60	253	4.4	5.18	3.8	17	289	3.9	4.53	3.7	22	305	3.7	4.30	3.6	22	238	4.7	5.50	3.2	8.50	258	4.3	5.07	3.1	8.60	301	3.7	4.35	3.0	19	346	3.2	3.79	2.8	22	369	3.0	3.55	2.8	24	417	2.7	3.14	2.7	25	450	2.5	2.91	2.6	28	496	2.3	2.64	2.5	31	553	2.0	2.37	2.4	35	642	1.7	2.04	2.3	41	682	1.6	1.92	2.3	43	794	1.4	1.65	2.1	49																																																																																																																																																																																																																																																																																																																																																																							
12	85	105.28	5.6	2.30			14	73	90.77			5.6	2.70	15	68	84.61			5.7	2.80	18	60	73.96			5.7	3.30	6.9	154	123.91			3.9	0.80	8.1	131	105.49	4.0	0.95	GR27 GRF27	6P*	36			29	36.20			2.3	2.80	9.3	113	90.96	4.1	1.10	10	105	84.78	4.1	1.20			11	92	74.11			4.2	1.40	9.7	109	135.09	4.1	1.15	11	100	123.91	4.1	1.25	GR27 GRF27	4P	41	26	31.94	2.2	3.20			12	85	105.49	4.2	1.50	14	73	90.96	4.2	1.70			52	20	25.23			2.1	4.10	57	19	23.15	2.0	4.40	66	16	19.71	1.9	5.20	77	14	16.99	1.8	6.00	83	13	15.84	1.8	6.40	95	11	13.84	1.7	7.40	101	10	12.98	1.7	7.90	114	9.2	11.45	1.6	8.50	129	8.2	10.15	1.6	9.20	152	6.9	8.63	1.5	10	174	6.1	7.55	1.4	8.90	186	5.7	7.04	1.4	9.50	213	4.9	6.15	1.3	11	227	4.6	5.76	1.3	11	257	4.1	5.09	1.3	12	290	3.6	4.51	1.2	13	342	3.1	3.83	1.1	14	216	5.2	6.07	4.1	8.60	253	4.4	5.18	3.8	17	289	3.9	4.53	3.7	22	305	3.7	4.30	3.6	22	238	4.7	5.50	3.2	8.50	258	4.3	5.07	3.1	8.60	301	3.7	4.35	3.0	19	346	3.2	3.79	2.8	22	369	3.0	3.55	2.8	24	417	2.7	3.14	2.7	25	450	2.5	2.91	2.6	28	496	2.3	2.64	2.5	31	553	2.0	2.37	2.4	35	642	1.7	2.04	2.3	41	682	1.6	1.92	2.3	43	794	1.4	1.65	2.1	49																																																																																																																																																																																																																																																																																																																																																																														
14	73	90.77	5.6	2.70			15	68	84.61			5.7	2.80	18	60	73.96			5.7	3.30	6.9	154	123.91			3.9	0.80	8.1	131	105.49			4.0	0.95	GR27 GRF27	6P*	36	29	36.20			2.3	2.80	9.3	113	90.96			4.1	1.10	10	105	84.78	4.1	1.20	11	92	74.11	4.2	1.40			9.7	109	135.09	4.1	1.15	11	100	123.91	4.1	1.25	GR27 GRF27	4P	41	26	31.94	2.2	3.20			12	85	105.49	4.2	1.50			14	73	90.96	4.2	1.70	52	20	25.23	2.1	4.10			57	19	23.15	2.0	4.40	66	16	19.71	1.9	5.20	77	14	16.99	1.8	6.00	83	13	15.84	1.8	6.40	95	11	13.84	1.7	7.40	101	10	12.98	1.7	7.90	114	9.2	11.45	1.6	8.50	129	8.2	10.15	1.6	9.20	152	6.9	8.63	1.5	10	174	6.1	7.55	1.4	8.90	186	5.7	7.04	1.4	9.50	213	4.9	6.15	1.3	11	227	4.6	5.76	1.3	11	257	4.1	5.09	1.3	12	290	3.6	4.51	1.2	13	342	3.1	3.83	1.1	14	216	5.2	6.07	4.1	8.60	253	4.4	5.18	3.8	17	289	3.9	4.53	3.7	22	305	3.7	4.30	3.6	22	238	4.7	5.50	3.2	8.50	258	4.3	5.07	3.1	8.60	301	3.7	4.35	3.0	19	346	3.2	3.79	2.8	22	369	3.0	3.55	2.8	24	417	2.7	3.14	2.7	25	450	2.5	2.91	2.6	28	496	2.3	2.64	2.5	31	553	2.0	2.37	2.4	35	642	1.7	2.04	2.3	41	682	1.6	1.92	2.3	43	794	1.4	1.65	2.1	49																																																																																																																																																																																																																																																																																																																																																																																					
15	68	84.61	5.7	2.80			18	60	73.96			5.7	3.30	6.9	154	123.91			3.9	0.80	8.1	131	105.49			4.0	0.95	GR27 GRF27	6P*	36	29	36.20	2.3	2.80			9.3	113	90.96			4.1	1.10	10	105	84.78			4.1	1.20	11	92	74.11	4.2	1.40	9.7	109	135.09	4.1	1.15	11	100	123.91	4.1	1.25	GR27 GRF27	4P	41	26	31.94	2.2	3.20			12	85	105.49	4.2	1.50			14	73	90.96	4.2	1.70			52	20	25.23	2.1	4.10	57	19	23.15	2.0	4.40	66	16	19.71	1.9	5.20	77	14	16.99	1.8	6.00	83	13	15.84	1.8	6.40	95	11	13.84	1.7	7.40	101	10	12.98	1.7	7.90	114	9.2	11.45	1.6	8.50	129	8.2	10.15	1.6	9.20	152	6.9	8.63	1.5	10	174	6.1	7.55	1.4	8.90	186	5.7	7.04	1.4	9.50	213	4.9	6.15	1.3	11	227	4.6	5.76	1.3	11	257	4.1	5.09	1.3	12	290	3.6	4.51	1.2	13	342	3.1	3.83	1.1	14	216	5.2	6.07	4.1	8.60	253	4.4	5.18	3.8	17	289	3.9	4.53	3.7	22	305	3.7	4.30	3.6	22	238	4.7	5.50	3.2	8.50	258	4.3	5.07	3.1	8.60	301	3.7	4.35	3.0	19	346	3.2	3.79	2.8	22	369	3.0	3.55	2.8	24	417	2.7	3.14	2.7	25	450	2.5	2.91	2.6	28	496	2.3	2.64	2.5	31	553	2.0	2.37	2.4	35	642	1.7	2.04	2.3	41	682	1.6	1.92	2.3	43	794	1.4	1.65	2.1	49																																																																																																																																																																																																																																																																																																																																																																																												
18	60	73.96	5.7	3.30			6.9	154	123.91			3.9	0.80	8.1	131	105.49			4.0	0.95	GR27 GRF27	6P*	36	29	36.20	2.3	2.80			9.3	113	90.96	4.1	1.10			10	105	84.78			4.1	1.20	11	92	74.11	4.2	1.40	9.7	109	135.09	4.1	1.15	11	100	123.91	4.1	1.25	GR27 GRF27	4P	41	26	31.94	2.2	3.20			12	85	105.49	4.2	1.50			14	73	90.96	4.2	1.70			52	20	25.23	2.1	4.10	57	19	23.15	2.0	4.40	66	16	19.71	1.9	5.20	77	14	16.99	1.8	6.00	83	13	15.84	1.8	6.40	95	11	13.84	1.7	7.40	101	10	12.98	1.7	7.90	114	9.2	11.45	1.6	8.50	129	8.2	10.15	1.6	9.20	152	6.9	8.63	1.5	10	174	6.1	7.55	1.4	8.90	186	5.7	7.04	1.4	9.50	213	4.9	6.15	1.3	11	227	4.6	5.76	1.3	11	257	4.1	5.09	1.3	12	290	3.6	4.51	1.2	13	342	3.1	3.83	1.1	14	216	5.2	6.07	4.1	8.60	253	4.4	5.18	3.8	17	289	3.9	4.53	3.7	22	305	3.7	4.30	3.6	22	238	4.7	5.50	3.2	8.50	258	4.3	5.07	3.1	8.60	301	3.7	4.35	3.0	19	346	3.2	3.79	2.8	22	369	3.0	3.55	2.8	24	417	2.7	3.14	2.7	25	450	2.5	2.91	2.6	28	496	2.3	2.64	2.5	31	553	2.0	2.37	2.4	35	642	1.7	2.04	2.3	41	682	1.6	1.92	2.3	43	794	1.4	1.65	2.1	49																																																																																																																																																																																																																																																																																																																																																																																																			
6.9	154	123.91	3.9	0.80			8.1	131	105.49			4.0	0.95	GR27 GRF27	6P*	36	29	36.20	2.3	2.80			9.3	113	90.96	4.1	1.10			10	105	84.78	4.1	1.20			11	92	74.11	4.2	1.40	9.7	109	135.09	4.1	1.15	11	100	123.91	4.1	1.25	GR27 GRF27	4P	41	26	31.94	2.2	3.20			12	85	105.49	4.2	1.50			14	73	90.96	4.2	1.70			52	20	25.23	2.1	4.10	57	19	23.15	2.0	4.40	66	16	19.71	1.9	5.20	77	14	16.99	1.8	6.00	83	13	15.84	1.8	6.40	95	11	13.84	1.7	7.40	101	10	12.98	1.7	7.90	114	9.2	11.45	1.6	8.50	129	8.2	10.15	1.6	9.20	152	6.9	8.63	1.5	10	174	6.1	7.55	1.4	8.90	186	5.7	7.04	1.4	9.50	213	4.9	6.15	1.3	11	227	4.6	5.76	1.3	11	257	4.1	5.09	1.3	12	290	3.6	4.51	1.2	13	342	3.1	3.83	1.1	14	216	5.2	6.07	4.1	8.60	253	4.4	5.18	3.8	17	289	3.9	4.53	3.7	22	305	3.7	4.30	3.6	22	238	4.7	5.50	3.2	8.50	258	4.3	5.07	3.1	8.60	301	3.7	4.35	3.0	19	346	3.2	3.79	2.8	22	369	3.0	3.55	2.8	24	417	2.7	3.14	2.7	25	450	2.5	2.91	2.6	28	496	2.3	2.64	2.5	31	553	2.0	2.37	2.4	35	642	1.7	2.04	2.3	41	682	1.6	1.92	2.3	43	794	1.4	1.65	2.1	49																																																																																																																																																																																																																																																																																																																																																																																																										
8.1	131	105.49	4.0	0.95			GR27 GRF27	6P*	36	29	36.20	2.3	2.80			9.3	113	90.96	4.1	1.10			10	105	84.78	4.1	1.20			11	92	74.11	4.2	1.40	9.7	109	135.09	4.1	1.15	11	100	123.91	4.1	1.25	GR27 GRF27	4P	41	26	31.94	2.2	3.20			12	85	105.49	4.2	1.50			14	73	90.96	4.2	1.70			52	20	25.23	2.1	4.10	57	19	23.15	2.0	4.40	66	16	19.71	1.9	5.20	77	14	16.99	1.8	6.00	83	13	15.84	1.8	6.40	95	11	13.84	1.7	7.40	101	10	12.98	1.7	7.90	114	9.2	11.45	1.6	8.50	129	8.2	10.15	1.6	9.20	152	6.9	8.63	1.5	10	174	6.1	7.55	1.4	8.90	186	5.7	7.04	1.4	9.50	213	4.9	6.15	1.3	11	227	4.6	5.76	1.3	11	257	4.1	5.09	1.3	12	290	3.6	4.51	1.2	13	342	3.1	3.83	1.1	14	216	5.2	6.07	4.1	8.60	253	4.4	5.18	3.8	17	289	3.9	4.53	3.7	22	305	3.7	4.30	3.6	22	238	4.7	5.50	3.2	8.50	258	4.3	5.07	3.1	8.60	301	3.7	4.35	3.0	19	346	3.2	3.79	2.8	22	369	3.0	3.55	2.8	24	417	2.7	3.14	2.7	25	450	2.5	2.91	2.6	28	496	2.3	2.64	2.5	31	553	2.0	2.37	2.4	35	642	1.7	2.04	2.3	41	682	1.6	1.92	2.3	43	794	1.4	1.65	2.1	49																																																																																																																																																																																																																																																																																																																																																																																																																	
9.3	113	90.96	4.1	1.10	10	105			84.78	4.1	1.20	11	92			74.11	4.2	1.40	9.7	109			135.09	4.1	1.15	11	100	123.91	4.1	1.25	GR27 GRF27	4P	41	26	31.94	2.2	3.20	12	85	105.49	4.2	1.50	14	73			90.96	4.2	1.70	52	20			25.23	2.1	4.10	57	19			23.15	2.0	4.40	66	16	19.71	1.9	5.20	77	14	16.99	1.8	6.00	83	13	15.84	1.8	6.40	95	11	13.84	1.7	7.40	101	10	12.98	1.7	7.90	114	9.2	11.45	1.6	8.50	129	8.2	10.15	1.6	9.20	152	6.9	8.63	1.5	10	174	6.1	7.55	1.4	8.90	186	5.7	7.04	1.4	9.50	213	4.9	6.15	1.3	11	227	4.6	5.76	1.3	11	257	4.1	5.09	1.3	12	290	3.6	4.51	1.2	13	342	3.1	3.83	1.1	14	216	5.2	6.07	4.1	8.60	253	4.4	5.18	3.8	17	289	3.9	4.53	3.7	22	305	3.7	4.30	3.6	22	238	4.7	5.50	3.2	8.50	258	4.3	5.07	3.1	8.60	301	3.7	4.35	3.0	19	346	3.2	3.79	2.8	22	369	3.0	3.55	2.8	24	417	2.7	3.14	2.7	25	450	2.5	2.91	2.6	28	496	2.3	2.64	2.5	31	553	2.0	2.37	2.4	35	642	1.7	2.04	2.3	41	682	1.6	1.92	2.3	43	794	1.4	1.65	2.1	49																																																																																																																																																																																																																																																																																																																																																																																																																															
10	105	84.78	4.1	1.20	11	92			74.11	4.2	1.40	9.7	109			135.09	4.1	1.15	11	100	123.91	4.1	1.25	GR27 GRF27	4P	41	26	31.94	2.2	3.20			12	85	105.49	4.2	1.50	14	73	90.96	4.2	1.70	52	20			25.23	2.1	4.10	57	19			23.15	2.0	4.40	66	16	19.71	1.9	5.20	77	14	16.99	1.8	6.00	83	13	15.84	1.8	6.40	95	11	13.84	1.7	7.40	101	10	12.98	1.7	7.90	114	9.2	11.45	1.6	8.50	129	8.2	10.15	1.6	9.20	152	6.9	8.63	1.5	10	174	6.1	7.55	1.4	8.90	186	5.7	7.04	1.4	9.50	213	4.9	6.15	1.3	11	227	4.6	5.76	1.3	11	257	4.1	5.09	1.3	12	290	3.6	4.51	1.2	13	342	3.1	3.83	1.1	14	216	5.2	6.07	4.1	8.60	253	4.4	5.18	3.8	17	289	3.9	4.53	3.7	22	305	3.7	4.30	3.6	22	238	4.7	5.50	3.2	8.50	258	4.3	5.07	3.1	8.60	301	3.7	4.35	3.0	19	346	3.2	3.79	2.8	22	369	3.0	3.55	2.8	24	417	2.7	3.14	2.7	25	450	2.5	2.91	2.6	28	496	2.3	2.64	2.5	31	553	2.0	2.37	2.4	35	642	1.7	2.04	2.3	41	682	1.6	1.92	2.3	43	794	1.4	1.65	2.1	49																																																																																																																																																																																																																																																																																																																																																																																																																																						
11	92	74.11	4.2	1.40	9.7	109			135.09	4.1	1.15	11	100	123.91	4.1	1.25	GR27 GRF27	4P	41	26	31.94	2.2	3.20			12	85	105.49	4.2	1.50			14	73	90.96	4.2	1.70	52	20	25.23	2.1	4.10	57	19			23.15	2.0	4.40	66	16	19.71	1.9	5.20	77	14	16.99	1.8	6.00	83	13	15.84	1.8	6.40	95	11	13.84	1.7	7.40	101	10	12.98	1.7	7.90	114	9.2	11.45	1.6	8.50	129	8.2	10.15	1.6	9.20	152	6.9	8.63	1.5	10	174	6.1	7.55	1.4	8.90	186	5.7	7.04	1.4	9.50	213	4.9	6.15	1.3	11	227	4.6	5.76	1.3	11	257	4.1	5.09	1.3	12	290	3.6	4.51	1.2	13	342	3.1	3.83	1.1	14	216	5.2	6.07	4.1	8.60	253	4.4	5.18	3.8	17	289	3.9	4.53	3.7	22	305	3.7	4.30	3.6	22	238	4.7	5.50	3.2	8.50	258	4.3	5.07	3.1	8.60	301	3.7	4.35	3.0	19	346	3.2	3.79	2.8	22	369	3.0	3.55	2.8	24	417	2.7	3.14	2.7	25	450	2.5	2.91	2.6	28	496	2.3	2.64	2.5	31	553	2.0	2.37	2.4	35	642	1.7	2.04	2.3	41	682	1.6	1.92	2.3	43	794	1.4	1.65	2.1	49																																																																																																																																																																																																																																																																																																																																																																																																																																													
9.7	109	135.09	4.1	1.15	11	100	123.91	4.1	1.25	GR27 GRF27	4P	41	26	31.94	2.2	3.20			12	85	105.49	4.2	1.50			14	73	90.96	4.2	1.70			52	20	25.23	2.1	4.10	57	19	23.15	2.0	4.40	66	16	19.71	1.9	5.20	77	14	16.99	1.8	6.00	83	13	15.84	1.8	6.40	95	11	13.84	1.7	7.40	101	10	12.98	1.7	7.90	114	9.2	11.45	1.6	8.50	129	8.2	10.15	1.6	9.20	152	6.9	8.63	1.5	10	174	6.1	7.55	1.4	8.90	186	5.7	7.04	1.4	9.50	213	4.9	6.15	1.3	11	227	4.6	5.76	1.3	11	257	4.1	5.09	1.3	12	290	3.6	4.51	1.2	13	342	3.1	3.83	1.1	14	216	5.2	6.07	4.1	8.60	253	4.4	5.18	3.8	17	289	3.9	4.53	3.7	22	305	3.7	4.30	3.6	22	238	4.7	5.50	3.2	8.50	258	4.3	5.07	3.1	8.60	301	3.7	4.35	3.0	19	346	3.2	3.79	2.8	22	369	3.0	3.55	2.8	24	417	2.7	3.14	2.7	25	450	2.5	2.91	2.6	28	496	2.3	2.64	2.5	31	553	2.0	2.37	2.4	35	642	1.7	2.04	2.3	41	682	1.6	1.92	2.3	43	794	1.4	1.65	2.1	49																																																																																																																																																																																																																																																																																																																																																																																																																																																				
11	100	123.91	4.1	1.25	GR27 GRF27	4P	41	26	31.94			2.2	3.20	12	85	105.49			4.2	1.50	14	73	90.96			4.2	1.70	52	20	25.23	2.1	4.10	57	19	23.15	2.0	4.40	66	16	19.71	1.9	5.20	77	14	16.99	1.8	6.00	83	13	15.84	1.8	6.40	95	11	13.84	1.7	7.40	101	10	12.98	1.7	7.90	114	9.2	11.45	1.6	8.50	129	8.2	10.15	1.6	9.20	152	6.9	8.63	1.5	10	174	6.1	7.55	1.4	8.90	186	5.7	7.04	1.4	9.50	213	4.9	6.15	1.3	11	227	4.6	5.76	1.3	11	257	4.1	5.09	1.3	12	290	3.6	4.51	1.2	13	342	3.1	3.83	1.1	14	216	5.2	6.07	4.1	8.60	253	4.4	5.18	3.8	17	289	3.9	4.53	3.7	22	305	3.7	4.30	3.6	22	238	4.7	5.50	3.2	8.50	258	4.3	5.07	3.1	8.60	301	3.7	4.35	3.0	19	346	3.2	3.79	2.8	22	369	3.0	3.55	2.8	24	417	2.7	3.14	2.7	25	450	2.5	2.91	2.6	28	496	2.3	2.64	2.5	31	553	2.0	2.37	2.4	35	642	1.7	2.04	2.3	41	682	1.6	1.92	2.3	43	794	1.4	1.65	2.1	49																																																																																																																																																																																																																																																																																																																																																																																																																																																									
12	85	105.49	4.2	1.50			14	73	90.96			4.2	1.70	52	20	25.23			2.1	4.10	57	19	23.15	2.0	4.40	66	16	19.71	1.9	5.20	77	14	16.99	1.8	6.00	83	13	15.84	1.8	6.40	95	11	13.84	1.7	7.40	101	10	12.98	1.7	7.90	114	9.2	11.45	1.6	8.50	129	8.2	10.15	1.6	9.20	152	6.9	8.63	1.5	10	174	6.1	7.55	1.4	8.90	186	5.7	7.04	1.4	9.50	213	4.9	6.15	1.3	11	227	4.6	5.76	1.3	11	257	4.1	5.09	1.3	12	290	3.6	4.51	1.2	13	342	3.1	3.83	1.1	14	216	5.2	6.07	4.1	8.60	253	4.4	5.18	3.8	17	289	3.9	4.53	3.7	22	305	3.7	4.30	3.6	22	238	4.7	5.50	3.2	8.50	258	4.3	5.07	3.1	8.60	301	3.7	4.35	3.0	19	346	3.2	3.79	2.8	22	369	3.0	3.55	2.8	24	417	2.7	3.14	2.7	25	450	2.5	2.91	2.6	28	496	2.3	2.64	2.5	31	553	2.0	2.37	2.4	35	642	1.7	2.04	2.3	41	682	1.6	1.92	2.3	43	794	1.4	1.65	2.1	49																																																																																																																																																																																																																																																																																																																																																																																																																																																																					
14	73	90.96	4.2	1.70			52	20	25.23			2.1	4.10	57	19	23.15	2.0	4.40	66	16	19.71	1.9	5.20	77	14	16.99	1.8	6.00	83	13	15.84	1.8	6.40	95	11	13.84	1.7	7.40	101	10	12.98	1.7	7.90	114	9.2	11.45	1.6	8.50	129	8.2	10.15	1.6	9.20	152	6.9	8.63	1.5	10	174	6.1	7.55	1.4	8.90	186	5.7	7.04	1.4	9.50	213	4.9	6.15	1.3	11	227	4.6	5.76	1.3	11	257	4.1	5.09	1.3	12	290	3.6	4.51	1.2	13	342	3.1	3.83	1.1	14	216	5.2	6.07	4.1	8.60	253	4.4	5.18	3.8	17	289	3.9	4.53	3.7	22	305	3.7	4.30	3.6	22	238	4.7	5.50	3.2	8.50	258	4.3	5.07	3.1	8.60	301	3.7	4.35	3.0	19	346	3.2	3.79	2.8	22	369	3.0	3.55	2.8	24	417	2.7	3.14	2.7	25	450	2.5	2.91	2.6	28	496	2.3	2.64	2.5	31	553	2.0	2.37	2.4	35	642	1.7	2.04	2.3	41	682	1.6	1.92	2.3	43	794	1.4	1.65	2.1	49																																																																																																																																																																																																																																																																																																																																																																																																																																																																												
52	20	25.23	2.1	4.10			57	19	23.15	2.0	4.40	66	16	19.71	1.9	5.20	77	14	16.99	1.8	6.00	83	13	15.84	1.8	6.40	95	11	13.84	1.7	7.40	101	10	12.98	1.7	7.90	114	9.2	11.45	1.6	8.50	129	8.2	10.15	1.6	9.20	152	6.9	8.63	1.5	10	174	6.1	7.55	1.4	8.90	186	5.7	7.04	1.4	9.50	213	4.9	6.15	1.3	11	227	4.6	5.76	1.3	11	257	4.1	5.09	1.3	12	290	3.6	4.51	1.2	13	342	3.1	3.83	1.1	14	216	5.2	6.07	4.1	8.60	253	4.4	5.18	3.8	17	289	3.9	4.53	3.7	22	305	3.7	4.30	3.6	22	238	4.7	5.50	3.2	8.50	258	4.3	5.07	3.1	8.60	301	3.7	4.35	3.0	19	346	3.2	3.79	2.8	22	369	3.0	3.55	2.8	24	417	2.7	3.14	2.7	25	450	2.5	2.91	2.6	28	496	2.3	2.64	2.5	31	553	2.0	2.37	2.4	35	642	1.7	2.04	2.3	41	682	1.6	1.92	2.3	43	794	1.4	1.65	2.1	49																																																																																																																																																																																																																																																																																																																																																																																																																																																																																			
57	19	23.15	2.0	4.40	66	16	19.71	1.9	5.20	77	14	16.99	1.8	6.00	83	13	15.84	1.8	6.40	95	11	13.84	1.7	7.40	101	10	12.98	1.7	7.90	114	9.2	11.45	1.6	8.50	129	8.2	10.15	1.6	9.20	152	6.9	8.63	1.5	10	174	6.1	7.55	1.4	8.90	186	5.7	7.04	1.4	9.50	213	4.9	6.15	1.3	11	227	4.6	5.76	1.3	11	257	4.1	5.09	1.3	12	290	3.6	4.51	1.2	13	342	3.1	3.83	1.1	14	216	5.2	6.07	4.1	8.60	253	4.4	5.18	3.8	17	289	3.9	4.53	3.7	22	305	3.7	4.30	3.6	22	238	4.7	5.50	3.2	8.50	258	4.3	5.07	3.1	8.60	301	3.7	4.35	3.0	19	346	3.2	3.79	2.8	22	369	3.0	3.55	2.8	24	417	2.7	3.14	2.7	25	450	2.5	2.91	2.6	28	496	2.3	2.64	2.5	31	553	2.0	2.37	2.4	35	642	1.7	2.04	2.3	41	682	1.6	1.92	2.3	43	794	1.4	1.65	2.1	49																																																																																																																																																																																																																																																																																																																																																																																																																																																																																										
66	16	19.71	1.9	5.20	77	14	16.99	1.8	6.00	83	13	15.84	1.8	6.40	95	11	13.84	1.7	7.40	101	10	12.98	1.7	7.90	114	9.2	11.45	1.6	8.50	129	8.2	10.15	1.6	9.20	152	6.9	8.63	1.5	10	174	6.1	7.55	1.4	8.90	186	5.7	7.04	1.4	9.50	213	4.9	6.15	1.3	11	227	4.6	5.76	1.3	11	257	4.1	5.09	1.3	12	290	3.6	4.51	1.2	13	342	3.1	3.83	1.1	14	216	5.2	6.07	4.1	8.60	253	4.4	5.18	3.8	17	289	3.9	4.53	3.7	22	305	3.7	4.30	3.6	22	238	4.7	5.50	3.2	8.50	258	4.3	5.07	3.1	8.60	301	3.7	4.35	3.0	19	346	3.2	3.79	2.8	22	369	3.0	3.55	2.8	24	417	2.7	3.14	2.7	25	450	2.5	2.91	2.6	28	496	2.3	2.64	2.5	31	553	2.0	2.37	2.4	35	642	1.7	2.04	2.3	41	682	1.6	1.92	2.3	43	794	1.4	1.65	2.1	49																																																																																																																																																																																																																																																																																																																																																																																																																																																																																															
77	14	16.99	1.8	6.00	83	13	15.84	1.8	6.40	95	11	13.84	1.7	7.40	101	10	12.98	1.7	7.90	114	9.2	11.45	1.6	8.50	129	8.2	10.15	1.6	9.20	152	6.9	8.63	1.5	10	174	6.1	7.55	1.4	8.90	186	5.7	7.04	1.4	9.50	213	4.9	6.15	1.3	11	227	4.6	5.76	1.3	11	257	4.1	5.09	1.3	12	290	3.6	4.51	1.2	13	342	3.1	3.83	1.1	14	216	5.2	6.07	4.1	8.60	253	4.4	5.18	3.8	17	289	3.9	4.53	3.7	22	305	3.7	4.30	3.6	22	238	4.7	5.50	3.2	8.50	258	4.3	5.07	3.1	8.60	301	3.7	4.35	3.0	19	346	3.2	3.79	2.8	22	369	3.0	3.55	2.8	24	417	2.7	3.14	2.7	25	450	2.5	2.91	2.6	28	496	2.3	2.64	2.5	31	553	2.0	2.37	2.4	35	642	1.7	2.04	2.3	41	682	1.6	1.92	2.3	43	794	1.4	1.65	2.1	49																																																																																																																																																																																																																																																																																																																																																																																																																																																																																																				
83	13	15.84	1.8	6.40	95	11	13.84	1.7	7.40	101	10	12.98	1.7	7.90	114	9.2	11.45	1.6	8.50	129	8.2	10.15	1.6	9.20	152	6.9	8.63	1.5	10	174	6.1	7.55	1.4	8.90	186	5.7	7.04	1.4	9.50	213	4.9	6.15	1.3	11	227	4.6	5.76	1.3	11	257	4.1	5.09	1.3	12	290	3.6	4.51	1.2	13	342	3.1	3.83	1.1	14	216	5.2	6.07	4.1	8.60	253	4.4	5.18	3.8	17	289	3.9	4.53	3.7	22	305	3.7	4.30	3.6	22	238	4.7	5.50	3.2	8.50	258	4.3	5.07	3.1	8.60	301	3.7	4.35	3.0	19	346	3.2	3.79	2.8	22	369	3.0	3.55	2.8	24	417	2.7	3.14	2.7	25	450	2.5	2.91	2.6	28	496	2.3	2.64	2.5	31	553	2.0	2.37	2.4	35	642	1.7	2.04	2.3	41	682	1.6	1.92	2.3	43	794	1.4	1.65	2.1	49																																																																																																																																																																																																																																																																																																																																																																																																																																																																																																									
95	11	13.84	1.7	7.40	101	10	12.98	1.7	7.90	114	9.2	11.45	1.6	8.50	129	8.2	10.15	1.6	9.20	152	6.9	8.63	1.5	10	174	6.1	7.55	1.4	8.90	186	5.7	7.04	1.4	9.50	213	4.9	6.15	1.3	11	227	4.6	5.76	1.3	11	257	4.1	5.09	1.3	12	290	3.6	4.51	1.2	13	342	3.1	3.83	1.1	14	216	5.2	6.07	4.1	8.60	253	4.4	5.18	3.8	17	289	3.9	4.53	3.7	22	305	3.7	4.30	3.6	22	238	4.7	5.50	3.2	8.50	258	4.3	5.07	3.1	8.60	301	3.7	4.35	3.0	19	346	3.2	3.79	2.8	22	369	3.0	3.55	2.8	24	417	2.7	3.14	2.7	25	450	2.5	2.91	2.6	28	496	2.3	2.64	2.5	31	553	2.0	2.37	2.4	35	642	1.7	2.04	2.3	41	682	1.6	1.92	2.3	43	794	1.4	1.65	2.1	49																																																																																																																																																																																																																																																																																																																																																																																																																																																																																																														
101	10	12.98	1.7	7.90	114	9.2	11.45	1.6	8.50	129	8.2	10.15	1.6	9.20	152	6.9	8.63	1.5	10	174	6.1	7.55	1.4	8.90	186	5.7	7.04	1.4	9.50	213	4.9	6.15	1.3	11	227	4.6	5.76	1.3	11	257	4.1	5.09	1.3	12	290	3.6	4.51	1.2	13	342	3.1	3.83	1.1	14	216	5.2	6.07	4.1	8.60	253	4.4	5.18	3.8	17	289	3.9	4.53	3.7	22	305	3.7	4.30	3.6	22	238	4.7	5.50	3.2	8.50	258	4.3	5.07	3.1	8.60	301	3.7	4.35	3.0	19	346	3.2	3.79	2.8	22	369	3.0	3.55	2.8	24	417	2.7	3.14	2.7	25	450	2.5	2.91	2.6	28	496	2.3	2.64	2.5	31	553	2.0	2.37	2.4	35	642	1.7	2.04	2.3	41	682	1.6	1.92	2.3	43	794	1.4	1.65	2.1	49																																																																																																																																																																																																																																																																																																																																																																																																																																																																																																																			
114	9.2	11.45	1.6	8.50	129	8.2	10.15	1.6	9.20	152	6.9	8.63	1.5	10	174	6.1	7.55	1.4	8.90	186	5.7	7.04	1.4	9.50	213	4.9	6.15	1.3	11	227	4.6	5.76	1.3	11	257	4.1	5.09	1.3	12	290	3.6	4.51	1.2	13	342	3.1	3.83	1.1	14	216	5.2	6.07	4.1	8.60	253	4.4	5.18	3.8	17	289	3.9	4.53	3.7	22	305	3.7	4.30	3.6	22	238	4.7	5.50	3.2	8.50	258	4.3	5.07	3.1	8.60	301	3.7	4.35	3.0	19	346	3.2	3.79	2.8	22	369	3.0	3.55	2.8	24	417	2.7	3.14	2.7	25	450	2.5	2.91	2.6	28	496	2.3	2.64	2.5	31	553	2.0	2.37	2.4	35	642	1.7	2.04	2.3	41	682	1.6	1.92	2.3	43	794	1.4	1.65	2.1	49																																																																																																																																																																																																																																																																																																																																																																																																																																																																																																																								
129	8.2	10.15	1.6	9.20	152	6.9	8.63	1.5	10	174	6.1	7.55	1.4	8.90	186	5.7	7.04	1.4	9.50	213	4.9	6.15	1.3	11	227	4.6	5.76	1.3	11	257	4.1	5.09	1.3	12	290	3.6	4.51	1.2	13	342	3.1	3.83	1.1	14	216	5.2	6.07	4.1	8.60	253	4.4	5.18	3.8	17	289	3.9	4.53	3.7	22	305	3.7	4.30	3.6	22	238	4.7	5.50	3.2	8.50	258	4.3	5.07	3.1	8.60	301	3.7	4.35	3.0	19	346	3.2	3.79	2.8	22	369	3.0	3.55	2.8	24	417	2.7	3.14	2.7	25	450	2.5	2.91	2.6	28	496	2.3	2.64	2.5	31	553	2.0	2.37	2.4	35	642	1.7	2.04	2.3	41	682	1.6	1.92	2.3	43	794	1.4	1.65	2.1	49																																																																																																																																																																																																																																																																																																																																																																																																																																																																																																																													
152	6.9	8.63	1.5	10	174	6.1	7.55	1.4	8.90	186	5.7	7.04	1.4	9.50	213	4.9	6.15	1.3	11	227	4.6	5.76	1.3	11	257	4.1	5.09	1.3	12	290	3.6	4.51	1.2	13	342	3.1	3.83	1.1	14	216	5.2	6.07	4.1	8.60	253	4.4	5.18	3.8	17	289	3.9	4.53	3.7	22	305	3.7	4.30	3.6	22	238	4.7	5.50	3.2	8.50	258	4.3	5.07	3.1	8.60	301	3.7	4.35	3.0	19	346	3.2	3.79	2.8	22	369	3.0	3.55	2.8	24	417	2.7	3.14	2.7	25	450	2.5	2.91	2.6	28	496	2.3	2.64	2.5	31	553	2.0	2.37	2.4	35	642	1.7	2.04	2.3	41	682	1.6	1.92	2.3	43	794	1.4	1.65	2.1	49																																																																																																																																																																																																																																																																																																																																																																																																																																																																																																																																		
174	6.1	7.55	1.4	8.90	186	5.7	7.04	1.4	9.50	213	4.9	6.15	1.3	11	227	4.6	5.76	1.3	11	257	4.1	5.09	1.3	12	290	3.6	4.51	1.2	13	342	3.1	3.83	1.1	14	216	5.2	6.07	4.1	8.60	253	4.4	5.18	3.8	17	289	3.9	4.53	3.7	22	305	3.7	4.30	3.6	22	238	4.7	5.50	3.2	8.50	258	4.3	5.07	3.1	8.60	301	3.7	4.35	3.0	19	346	3.2	3.79	2.8	22	369	3.0	3.55	2.8	24	417	2.7	3.14	2.7	25	450	2.5	2.91	2.6	28	496	2.3	2.64	2.5	31	553	2.0	2.37	2.4	35	642	1.7	2.04	2.3	41	682	1.6	1.92	2.3	43	794	1.4	1.65	2.1	49																																																																																																																																																																																																																																																																																																																																																																																																																																																																																																																																							
186	5.7	7.04	1.4	9.50	213	4.9	6.15	1.3	11	227	4.6	5.76	1.3	11	257	4.1	5.09	1.3	12	290	3.6	4.51	1.2	13	342	3.1	3.83	1.1	14	216	5.2	6.07	4.1	8.60	253	4.4	5.18	3.8	17	289	3.9	4.53	3.7	22	305	3.7	4.30	3.6	22	238	4.7	5.50	3.2	8.50	258	4.3	5.07	3.1	8.60	301	3.7	4.35	3.0	19	346	3.2	3.79	2.8	22	369	3.0	3.55	2.8	24	417	2.7	3.14	2.7	25	450	2.5	2.91	2.6	28	496	2.3	2.64	2.5	31	553	2.0	2.37	2.4	35	642	1.7	2.04	2.3	41	682	1.6	1.92	2.3	43	794	1.4	1.65	2.1	49																																																																																																																																																																																																																																																																																																																																																																																																																																																																																																																																												
213	4.9	6.15	1.3	11	227	4.6	5.76	1.3	11	257	4.1	5.09	1.3	12	290	3.6	4.51	1.2	13	342	3.1	3.83	1.1	14	216	5.2	6.07	4.1	8.60	253	4.4	5.18	3.8	17	289	3.9	4.53	3.7	22	305	3.7	4.30	3.6	22	238	4.7	5.50	3.2	8.50	258	4.3	5.07	3.1	8.60	301	3.7	4.35	3.0	19	346	3.2	3.79	2.8	22	369	3.0	3.55	2.8	24	417	2.7	3.14	2.7	25	450	2.5	2.91	2.6	28	496	2.3	2.64	2.5	31	553	2.0	2.37	2.4	35	642	1.7	2.04	2.3	41	682	1.6	1.92	2.3	43	794	1.4	1.65	2.1	49																																																																																																																																																																																																																																																																																																																																																																																																																																																																																																																																																	
227	4.6	5.76	1.3	11	257	4.1	5.09	1.3	12	290	3.6	4.51	1.2	13	342	3.1	3.83	1.1	14	216	5.2	6.07	4.1	8.60	253	4.4	5.18	3.8	17	289	3.9	4.53	3.7	22	305	3.7	4.30	3.6	22	238	4.7	5.50	3.2	8.50	258	4.3	5.07	3.1	8.60	301	3.7	4.35	3.0	19	346	3.2	3.79	2.8	22	369	3.0	3.55	2.8	24	417	2.7	3.14	2.7	25	450	2.5	2.91	2.6	28	496	2.3	2.64	2.5	31	553	2.0	2.37	2.4	35	642	1.7	2.04	2.3	41	682	1.6	1.92	2.3	43	794	1.4	1.65	2.1	49																																																																																																																																																																																																																																																																																																																																																																																																																																																																																																																																																						
257	4.1	5.09	1.3	12	290	3.6	4.51	1.2	13	342	3.1	3.83	1.1	14	216	5.2	6.07	4.1	8.60	253	4.4	5.18	3.8	17	289	3.9	4.53	3.7	22	305	3.7	4.30	3.6	22	238	4.7	5.50	3.2	8.50	258	4.3	5.07	3.1	8.60	301	3.7	4.35	3.0	19	346	3.2	3.79	2.8	22	369	3.0	3.55	2.8	24	417	2.7	3.14	2.7	25	450	2.5	2.91	2.6	28	496	2.3	2.64	2.5	31	553	2.0	2.37	2.4	35	642	1.7	2.04	2.3	41	682	1.6	1.92	2.3	43	794	1.4	1.65	2.1	49																																																																																																																																																																																																																																																																																																																																																																																																																																																																																																																																																											
290	3.6	4.51	1.2	13	342	3.1	3.83	1.1	14	216	5.2	6.07	4.1	8.60	253	4.4	5.18	3.8	17	289	3.9	4.53	3.7	22	305	3.7	4.30	3.6	22	238	4.7	5.50	3.2	8.50	258	4.3	5.07	3.1	8.60	301	3.7	4.35	3.0	19	346	3.2	3.79	2.8	22	369	3.0	3.55	2.8	24	417	2.7	3.14	2.7	25	450	2.5	2.91	2.6	28	496	2.3	2.64	2.5	31	553	2.0	2.37	2.4	35	642	1.7	2.04	2.3	41	682	1.6	1.92	2.3	43	794	1.4	1.65	2.1	49																																																																																																																																																																																																																																																																																																																																																																																																																																																																																																																																																																
342	3.1	3.83	1.1	14	216	5.2	6.07	4.1	8.60	253	4.4	5.18	3.8	17	289	3.9	4.53	3.7	22	305	3.7	4.30	3.6	22	238	4.7	5.50	3.2	8.50	258	4.3	5.07	3.1	8.60	301	3.7	4.35	3.0	19	346	3.2	3.79	2.8	22	369	3.0	3.55	2.8	24	417	2.7	3.14	2.7	25	450	2.5	2.91	2.6	28	496	2.3	2.64	2.5	31	553	2.0	2.37	2.4	35	642	1.7	2.04	2.3	41	682	1.6	1.92	2.3	43	794	1.4	1.65	2.1	49																																																																																																																																																																																																																																																																																																																																																																																																																																																																																																																																																																					
216	5.2	6.07	4.1	8.60	253	4.4	5.18	3.8	17	289	3.9	4.53	3.7	22	305	3.7	4.30	3.6	22	238	4.7	5.50	3.2	8.50	258	4.3	5.07	3.1	8.60	301	3.7	4.35	3.0	19	346	3.2	3.79	2.8	22	369	3.0	3.55	2.8	24	417	2.7	3.14	2.7	25	450	2.5	2.91	2.6	28	496	2.3	2.64	2.5	31	553	2.0	2.37	2.4	35	642	1.7	2.04	2.3	41	682	1.6	1.92	2.3	43	794	1.4	1.65	2.1	49																																																																																																																																																																																																																																																																																																																																																																																																																																																																																																																																																																										
253	4.4	5.18	3.8	17	289	3.9	4.53	3.7	22	305	3.7	4.30	3.6	22	238	4.7	5.50	3.2	8.50	258	4.3	5.07	3.1	8.60	301	3.7	4.35	3.0	19	346	3.2	3.79	2.8	22	369	3.0	3.55	2.8	24	417	2.7	3.14	2.7	25	450	2.5	2.91	2.6	28	496	2.3	2.64	2.5	31	553	2.0	2.37	2.4	35	642	1.7	2.04	2.3	41	682	1.6	1.92	2.3	43	794	1.4	1.65	2.1	49																																																																																																																																																																																																																																																																																																																																																																																																																																																																																																																																																																															
289	3.9	4.53	3.7	22	305	3.7	4.30	3.6	22	238	4.7	5.50	3.2	8.50	258	4.3	5.07	3.1	8.60	301	3.7	4.35	3.0	19	346	3.2	3.79	2.8	22	369	3.0	3.55	2.8	24	417	2.7	3.14	2.7	25	450	2.5	2.91	2.6	28	496	2.3	2.64	2.5	31	553	2.0	2.37	2.4	35	642	1.7	2.04	2.3	41	682	1.6	1.92	2.3	43	794	1.4	1.65	2.1	49																																																																																																																																																																																																																																																																																																																																																																																																																																																																																																																																																																																				
305	3.7	4.30	3.6	22	238	4.7	5.50	3.2	8.50	258	4.3	5.07	3.1	8.60	301	3.7	4.35	3.0	19	346	3.2	3.79	2.8	22	369	3.0	3.55	2.8	24	417	2.7	3.14	2.7	25	450	2.5	2.91	2.6	28	496	2.3	2.64	2.5	31	553	2.0	2.37	2.4	35	642	1.7	2.04	2.3	41	682	1.6	1.92	2.3	43	794	1.4	1.65	2.1	49																																																																																																																																																																																																																																																																																																																																																																																																																																																																																																																																																																																									
238	4.7	5.50	3.2	8.50	258	4.3	5.07	3.1	8.60	301	3.7	4.35	3.0	19	346	3.2	3.79	2.8	22	369	3.0	3.55	2.8	24	417	2.7	3.14	2.7	25	450	2.5	2.91	2.6	28	496	2.3	2.64	2.5	31	553	2.0	2.37	2.4	35	642	1.7	2.04	2.3	41	682	1.6	1.92	2.3	43	794	1.4	1.65	2.1	49																																																																																																																																																																																																																																																																																																																																																																																																																																																																																																																																																																																														
258	4.3	5.07	3.1	8.60	301	3.7	4.35	3.0	19	346	3.2	3.79	2.8	22	369	3.0	3.55	2.8	24	417	2.7	3.14	2.7	25	450	2.5	2.91	2.6	28	496	2.3	2.64	2.5	31	553	2.0	2.37	2.4	35	642	1.7	2.04	2.3	41	682	1.6	1.92	2.3	43	794	1.4	1.65	2.1	49																																																																																																																																																																																																																																																																																																																																																																																																																																																																																																																																																																																																			
301	3.7	4.35	3.0	19	346	3.2	3.79	2.8	22	369	3.0	3.55	2.8	24	417	2.7	3.14	2.7	25	450	2.5	2.91	2.6	28	496	2.3	2.64	2.5	31	553	2.0	2.37	2.4	35	642	1.7	2.04	2.3	41	682	1.6	1.92	2.3	43	794	1.4	1.65	2.1	49																																																																																																																																																																																																																																																																																																																																																																																																																																																																																																																																																																																																								
346	3.2	3.79	2.8	22	369	3.0	3.55	2.8	24	417	2.7	3.14	2.7	25	450	2.5	2.91	2.6	28	496	2.3	2.64	2.5	31	553	2.0	2.37	2.4	35	642	1.7	2.04	2.3	41	682	1.6	1.92	2.3	43	794	1.4	1.65	2.1	49																																																																																																																																																																																																																																																																																																																																																																																																																																																																																																																																																																																																													
369	3.0	3.55	2.8	24	417	2.7	3.14	2.7	25	450	2.5	2.91	2.6	28	496	2.3	2.64	2.5	31	553	2.0	2.37	2.4	35	642	1.7	2.04	2.3	41	682	1.6	1.92	2.3	43	794	1.4	1.65	2.1	49																																																																																																																																																																																																																																																																																																																																																																																																																																																																																																																																																																																																																		
417	2.7	3.14	2.7	25	450	2.5	2.91	2.6	28	496	2.3	2.64	2.5	31	553	2.0	2.37	2.4	35	642	1.7	2.04	2.3	41	682	1.6	1.92	2.3	43	794	1.4	1.65	2.1	49																																																																																																																																																																																																																																																																																																																																																																																																																																																																																																																																																																																																																							
450	2.5	2.91	2.6	28	496	2.3	2.64	2.5	31	553	2.0	2.37	2.4	35	642	1.7	2.04	2.3	41	682	1.6	1.92	2.3	43	794	1.4	1.65	2.1	49																																																																																																																																																																																																																																																																																																																																																																																																																																																																																																																																																																																																																												
496	2.3	2.64	2.5	31	553	2.0	2.37	2.4	35	642	1.7	2.04	2.3	41	682	1.6	1.92	2.3	43	794	1.4	1.65	2.1	49																																																																																																																																																																																																																																																																																																																																																																																																																																																																																																																																																																																																																																	
553	2.0	2.37	2.4	35	642	1.7	2.04	2.3	41	682	1.6	1.92	2.3	43	794	1.4	1.65	2.1	49																																																																																																																																																																																																																																																																																																																																																																																																																																																																																																																																																																																																																																						
642	1.7	2.04	2.3	41	682	1.6	1.92	2.3	43	794	1.4	1.65	2.1	49																																																																																																																																																																																																																																																																																																																																																																																																																																																																																																																																																																																																																																											
682	1.6	1.92	2.3	43	794	1.4	1.65	2.1	49																																																																																																																																																																																																																																																																																																																																																																																																																																																																																																																																																																																																																																																
794	1.4	1.65	2.1	49																																																																																																																																																																																																																																																																																																																																																																																																																																																																																																																																																																																																																																																					

*0.12kW(6极)电机需特制。*0.12kW motor of 6 poles needs to be specially requested and then manufactured.

选型参数表
(恒功率)

Selection Table
(Constant Power)

n_a [r/min]	Ma [Nm]	i	F_{ra} [kN]	f_B	机型号 Type size	极数 Pole	n_a [r/min]	Ma [Nm]	i	F_{ra} [kN]	f_B	机型号 Type size	极数 Pole																																																																																																																																																																																																																																																																																																																																																																																																																																																																																																																																							
0.18kW							0.18kW																																																																																																																																																																																																																																																																																																																																																																																																																																																																																																																																													
0.09	16387	13837	42	0.85	GR147R77 GRF147R77	4P	1.1	1360	1148	18	1.20	GR87R57	4P																																																																																																																																																																																																																																																																																																																																																																																																																																																																																																																																							
0.11	14541	12278	60	0.95			0.12	13126	11084	62	1.05	0.13		11559	9760	64	1.20	0.16	9942	8395	66	1.40	GR147R77 GRF147R77	4P	1.5	1053	889	19	1.55	GR77R37	4P	0.18	8669	7320	67	1.60	0.20	7626	6439	68	1.80	0.24	6483	5474	69	2.10	0.27	5844	4935	69	2.35	0.30	5143	4343	70	2.70	0.36	4370	3690	70	3.15	0.40	3845	3247	70	3.60	0.15	10419	8798	47	0.80	GR137R77 GRF137R77	4P	2.0	795	671	10	1.10	GR77R37 GRF77R37	4P	0.17	8871	7491	52	0.95	0.20	7781	6570	53	1.10	0.22	6921	5844	54	1.20	0.26	6069	5125	55	1.40	0.29	5295	4471	56	1.60	0.33	4679	3951	57	1.80	GR137R77 GRF137R77	4P	2.3	676	571	11	1.30	GR77R37 GRF77R37	4P	0.28	5637	4760	55	1.50	0.32	4809	4061	56	1.75	0.37	4205	3551	57	2.00	0.39	3996	3374	57	2.10	0.44	3505	2960	57	2.40	0.30	5252	4435	27	0.85	GR107R77	4P	2.7	578	488	11	1.50	GR67R37 GRF67R37	4P	0.34	4614	3896	30	1.00	GRF107R77	0.43	3599	3039	33	1.25	0.33	4640	3918	28	1.00	GR107R77 GRF107R77	4P	3.0	516	436	12	1.70	0.39	3959	3343	31	1.15	0.43	3593	3034	32	1.25	0.49	3142	2653	33	1.45	0.57	2700	2280	34	1.70	0.63	2448	2067	35	1.85	0.66	2353	1987	35	1.95	GR107R77 GRF107R77	4P	3.5	442	373	12	2.00	0.72	2164	1827	35	2.10	0.82	1894	1599	35	2.40	0.94	1658	1400	35	2.75	1.1	1452	1226	36	3.15	0.49	3160	2668	20	1.00	GR107R77 GRF107R77	4P	4.0	387	327	12	2.25	0.58	2659	2245	23	1.20	0.65	2387	2016	24	1.35	0.76	2052	1733	25	1.55	0.81	1922	1623	26	1.65	0.91	1698	1434	26	1.85	1.1	1429	1207	27	2.20	1.2	1284	1084	27	2.45	1.4	1106	934	27	2.85	1.5	1040	878	27	3.05	1.7	894	755	27	3.55	0.48	3224	2722	19	1.00	GR97R57 GRF97R57	4P	4.5	342	289	12	2.55	0.57	2737	2311	23	1.15	0.63	2461	2078	24	1.30	0.75	2061	1740	10	0.80	0.88	1770	1495	15	0.95	GR97R57 GRF97R57	4P	2.3	676	571	6.9	0.95	GR67R37 GRF67R37	4P	0.94	1659	1401	16	1.00	1.1	1465	1237	17	1.10	1.1	1362	1150	18	1.20	1.3	1234	1042	18	1.35	1.4	1107	935	19	1.50	1.6	955	806	19	1.70	0.75	2065	1744	11	0.80	GR87R57	4P	2.7	576	486	7.9	1.10	GR67R37 GRF67R37	4P	0.86	1812	1530	13	0.90	GRF87R57	1.0	1549	1308	17	1.05	0.75	2065	1744	11	0.80	GR87R57 GRF87R57	4P	2.9	538	454	6.6	0.90	GR57R37 GRF57R37	4P	0.86	1812	1530	13	0.90	1.0	1549	1308	17	1.05	0.75	2065	1744	11	0.80	0.86	1812	1530	13	0.90	1.0	1549	1308	17	1.05	0.75	2065	1744	11	0.80	0.86	1812	1530	13	0.90	1.0	1549	1308	17	1.05	0.75	2065	1744	11	0.80	0.86	1812	1530	13	0.90	1.0	1549	1308	17	1.05																																																																			
0.12	13126	11084	62	1.05			0.13	11559	9760	64	1.20	0.16		9942	8395	66	1.40	GR147R77 GRF147R77	4P	1.5	1053	889			19	1.55	GR77R37	4P	0.18	8669		7320	67	1.60	0.20	7626	6439	68	1.80	0.24	6483	5474	69	2.10	0.27	5844	4935	69	2.35	0.30	5143	4343	70	2.70	0.36	4370	3690	70	3.15	0.40	3845	3247	70	3.60	0.15	10419	8798	47	0.80	GR137R77 GRF137R77	4P			2.0	795	671	10	1.10	GR77R37 GRF77R37		4P	0.17	8871	7491	52	0.95	0.20	7781	6570	53	1.10	0.22	6921	5844	54	1.20	0.26	6069	5125	55	1.40	0.29	5295	4471	56	1.60	0.33	4679	3951	57			1.80	GR137R77 GRF137R77	4P	2.3	676	571		11	1.30	GR77R37 GRF77R37	4P	0.28	5637	4760	55	1.50	0.32	4809	4061	56	1.75	0.37	4205	3551	57	2.00	0.39	3996	3374	57	2.10	0.44	3505	2960	57	2.40	0.30	5252		4435	27	0.85	GR107R77	4P	2.7		578	488	11	1.50	GR67R37 GRF67R37	4P	0.34	4614	3896	30	1.00	GRF107R77	0.43	3599	3039	33			1.25	0.33	4640	3918	28	1.00	GR107R77 GRF107R77	4P	3.0	516	436	12	1.70	0.39	3959	3343	31	1.15	0.43	3593	3034	32	1.25	0.49	3142	2653	33	1.45	0.57	2700	2280	34	1.70	0.63	2448			2067	35	1.85	0.66	2353	1987	35	1.95	GR107R77 GRF107R77	4P	3.5	442	373	12	2.00	0.72	2164	1827	35	2.10	0.82	1894	1599	35	2.40	0.94	1658	1400	35	2.75			1.1	1452	1226	36	3.15	0.49	3160	2668	20	1.00	GR107R77 GRF107R77	4P	4.0	387	327	12	2.25	0.58	2659	2245	23	1.20	0.65	2387	2016	24	1.35	0.76	2052	1733	25	1.55	0.81	1922	1623	26	1.65	0.91	1698	1434	26	1.85	1.1	1429	1207	27	2.20	1.2	1284	1084	27	2.45	1.4	1106	934	27	2.85	1.5	1040	878			27	3.05	1.7	894	755	27	3.55	0.48	3224	2722	19	1.00	GR97R57 GRF97R57	4P	4.5	342	289	12	2.55	0.57	2737	2311	23	1.15	0.63			2461	2078	24	1.30	0.75	2061		1740	10	0.80	0.88	1770	1495	15	0.95	GR97R57 GRF97R57	4P	2.3	676	571	6.9	0.95	GR67R37 GRF67R37	4P	0.94	1659	1401	16	1.00	1.1	1465	1237	17	1.10	1.1	1362	1150	18	1.20	1.3	1234	1042	18		1.35	1.4	1107	935	19	1.50		1.6	955	806	19	1.70	0.75	2065	1744	11	0.80	GR87R57	4P	2.7	576	486	7.9			1.10	GR67R37 GRF67R37	4P	0.86	1812	1530		13	0.90	GRF87R57	1.0	1549	1308	17	1.05	0.75	2065	1744	11	0.80	GR87R57 GRF87R57	4P	2.9	538	454	6.6	0.90	GR57R37 GRF57R37	4P	0.86	1812	1530	13	0.90	1.0	1549	1308	17	1.05	0.75	2065	1744	11	0.80	0.86	1812	1530	13	0.90	1.0	1549	1308	17	1.05	0.75	2065	1744	11	0.80	0.86	1812	1530	13	0.90	1.0	1549	1308	17	1.05	0.75	2065	1744	11	0.80	0.86	1812	1530	13	0.90	1.0	1549	1308	17	1.05																																													
0.13	11559	9760	64	1.20			0.16	9942	8395	66	1.40	GR147R77 GRF147R77		4P	1.5	1053	889			19	1.55	GR77R37			4P	0.18	8669		7320	67		1.60	0.20	7626	6439	68	1.80	0.24	6483	5474	69	2.10	0.27	5844	4935	69	2.35	0.30	5143	4343	70	2.70	0.36	4370	3690	70	3.15	0.40	3845	3247	70	3.60	0.15	10419	8798	47	0.80	GR137R77 GRF137R77	4P					2.0	795	671	10	1.10	GR77R37 GRF77R37			4P	0.17	8871	7491	52	0.95	0.20	7781	6570	53	1.10	0.22	6921	5844	54	1.20	0.26	6069	5125	55	1.40	0.29	5295	4471	56	1.60	0.33	4679	3951			57			1.80	GR137R77 GRF137R77	4P		2.3	676	571		11	1.30	GR77R37 GRF77R37	4P	0.28	5637	4760	55	1.50	0.32	4809	4061	56	1.75	0.37	4205	3551	57	2.00	0.39	3996	3374	57	2.10	0.44	3505	2960		57	2.40	0.30	5252		4435		27	0.85	GR107R77	4P	2.7		578	488	11	1.50	GR67R37 GRF67R37	4P	0.34	4614	3896	30			1.00	GRF107R77	0.43	3599	3039	33			1.25	0.33	4640	3918	28	1.00	GR107R77 GRF107R77	4P	3.0	516	436	12	1.70	0.39	3959	3343	31	1.15	0.43	3593	3034	32	1.25	0.49	3142	2653	33			1.45	0.57	2700	2280	34	1.70	0.63	2448			2067	35	1.85	0.66	2353	1987	35	1.95	GR107R77 GRF107R77	4P	3.5	442	373	12	2.00	0.72	2164	1827	35	2.10			0.82	1894	1599	35	2.40	0.94	1658	1400	35	2.75			1.1	1452	1226	36	3.15	0.49	3160	2668	20	1.00	GR107R77 GRF107R77	4P	4.0	387	327	12	2.25	0.58	2659	2245	23	1.20	0.65	2387	2016	24	1.35	0.76	2052	1733	25	1.55	0.81	1922	1623	26	1.65	0.91	1698	1434	26	1.85	1.1	1429	1207	27	2.20	1.2			1284	1084	27	2.45	1.4	1106	934	27	2.85	1.5	1040	878			27	3.05	1.7	894	755	27	3.55	0.48	3224	2722	19			1.00	GR97R57 GRF97R57	4P	4.5	342	289		12	2.55	0.57	2737	2311	23	1.15	0.63			2461	2078	24	1.30	0.75	2061		1740	10	0.80	0.88	1770	1495	15	0.95	GR97R57 GRF97R57	4P	2.3	676	571	6.9	0.95	GR67R37 GRF67R37	4P	0.94	1659		1401	16	1.00	1.1	1465	1237		17	1.10	1.1	1362	1150	18	1.20	1.3	1234	1042	18		1.35	1.4	1107	935			19	1.50		1.6	955	806		19	1.70	0.75	2065	1744	11	0.80	GR87R57	4P	2.7	576	486	7.9			1.10	GR67R37 GRF67R37	4P	0.86	1812	1530		13	0.90	GRF87R57	1.0	1549	1308	17	1.05	0.75	2065	1744	11	0.80	GR87R57 GRF87R57	4P	2.9	538	454	6.6	0.90	GR57R37 GRF57R37	4P	0.86	1812	1530	13	0.90	1.0	1549	1308	17	1.05	0.75	2065	1744	11	0.80	0.86	1812	1530	13	0.90	1.0	1549	1308	17	1.05	0.75	2065	1744	11	0.80	0.86	1812	1530	13	0.90	1.0	1549	1308	17	1.05	0.75	2065	1744	11	0.80	0.86	1812	1530	13	0.90	1.0	1549	1308	17	1.05																							
0.16	9942	8395	66	1.40	GR147R77 GRF147R77	4P	1.5	1053	889	19	1.55		GR77R37		4P																																																																																																																																																																																																																																																																																																																																																																																																																																																																																																																																					
0.18	8669	7320	67	1.60			0.20	7626	6439	68	1.80		0.24			6483	5474			69	2.10	0.27				5844	4935		69	2.35		0.30	5143	4343	70	2.70	0.36	4370	3690	70	3.15	0.40	3845	3247	70	3.60	0.15	10419	8798	47	0.80	GR137R77 GRF137R77	4P	2.0	795	671	10	1.10	GR77R37 GRF77R37	4P	0.17	8871	7491	52	0.95	0.20	7781							6570	53	1.10	0.22	6921	5844				54	1.20	0.26	6069	5125	55	1.40	0.29	5295	4471	56	1.60	0.33	4679	3951	57	1.80	GR137R77 GRF137R77	4P	2.3	676	571	11	1.30	GR77R37 GRF77R37	4P	0.28	5637			4760			55				1.50	0.32	4809		4061	56	1.75		0.37	4205	3551	57	2.00	0.39	3996	3374	57	2.10	0.44	3505	2960	57	2.40	0.30	5252	4435	27	0.85	GR107R77	4P	2.7	578	488	11	1.50	GR67R37 GRF67R37		4P	0.34	4614	3896	30		1.00		GRF107R77	0.43	3599	3039	33		1.25	0.33	4640	3918			28	1.00	GR107R77 GRF107R77	4P	3.0	516			436	12	1.70	0.39	3959	3343			31	1.15	0.43	3593	3034	32	1.25	0.49	3142	2653	33	1.45	0.57	2700	2280	34	1.70	0.63	2448			2067	35	1.85	0.66	2353	1987	35	1.95			GR107R77 GRF107R77	4P	3.5	442	373	12	2.00	0.72			2164	1827	35	2.10	0.82	1894	1599	35	2.40	0.94			1658	1400	35	2.75	1.1	1452	1226	36	3.15	0.49			3160	2668	20	1.00	GR107R77 GRF107R77	4P	4.0	387	327	12			2.25	0.58	2659	2245	23	1.20	0.65	2387	2016	24	1.35	0.76	2052	1733	25	1.55	0.81	1922	1623	26	1.65	0.91	1698	1434	26	1.85	1.1	1429	1207	27	2.20	1.2	1284	1084	27	2.45	1.4	1106	934	27	2.85	1.5	1040	878	27	3.05	1.7	894	755	27			3.55	0.48	3224	2722	19	1.00	GR97R57 GRF97R57	4P	4.5	342	289			12			2.55	0.57	2737		2311	23	1.15	0.63	2461	2078	24	1.30			0.75	2061	1740	10	0.80	0.88		1770	1495	15	0.95	GR97R57 GRF97R57	4P	2.3	676			571	6.9	0.95	GR67R37 GRF67R37	4P	0.94		1659	1401	16	1.00	1.1	1465	1237	17	1.10	1.1	1362	1150	18	1.20	1.3	1234	1042	18	1.35	1.4	1107		935	19	1.50	1.6			955	806		19	1.70	0.75		2065	1744	11	0.80	GR87R57	4P	2.7	576		486	7.9	1.10	GR67R37 GRF67R37			4P	0.86		1812	1530	13		0.90	GRF87R57	1.0	1549	1308	17	1.05	0.75	2065	1744	11	0.80	GR87R57 GRF87R57			4P	2.9	538	454	6.6	0.90		GR57R37 GRF57R37	4P	0.86	1812	1530	13	0.90	1.0	1549	1308	17	1.05	0.75	2065	1744	11	0.80	0.86	1812	1530	13	0.90	1.0	1549	1308	17	1.05	0.75	2065	1744	11	0.80	0.86	1812	1530	13	0.90	1.0	1549	1308	17	1.05	0.75	2065	1744	11	0.80	0.86	1812	1530	13	0.90	1.0	1549	1308	17	1.05																					
0.20	7626	6439	68	1.80			0.24	6483	5474	69	2.10		0.27			5844	4935			69	2.35	0.30				5143	4343		70	2.70		0.36	4370	3690	70	3.15	0.40	3845	3247	70	3.60	0.15	10419	8798	47	0.80	GR137R77 GRF137R77	4P	2.0	795	671			10	1.10	GR77R37 GRF77R37	4P	0.17	8871		7491	52	0.95	0.20	7781	6570	53							1.10	0.22	6921	5844	54	1.20				0.26	6069	5125	55	1.40	0.29	5295	4471	56	1.60	0.33	4679	3951	57	1.80	GR137R77 GRF137R77	4P			2.3	676	571	11	1.30	GR77R37 GRF77R37		4P	0.28			5637			4760				55	1.50	0.32		4809	4061	56		1.75	0.37	4205	3551	57	2.00	0.39	3996	3374	57	2.10	0.44	3505	2960	57	2.40	0.30	5252	4435	27	0.85		GR107R77	4P	2.7	578	488	11	1.50		GR67R37 GRF67R37	4P	0.34	4614		3896	30	1.00	GRF107R77	0.43	3599	3039		33	1.25	0.33	4640			3918	28			1.00	GR107R77 GRF107R77			4P	3.0	516	436	12	1.70			0.39	3959	3343	31	1.15	0.43	3593	3034	32	1.25	0.49	3142	2653	33	1.45	0.57	2700	2280	34			1.70	0.63	2448	2067	35	1.85	0.66	2353					1987	35	1.95	GR107R77 GRF107R77	4P	3.5			442	373	12	2.00	0.72	2164	1827	35	2.10	0.82			1894	1599	35	2.40	0.94	1658	1400	35	2.75	1.1			1452	1226	36	3.15			0.49	3160	2668	20			1.00	GR107R77 GRF107R77	4P	4.0	387	327	12	2.25	0.58	2659	2245	23	1.20	0.65	2387	2016	24	1.35	0.76	2052	1733	25	1.55	0.81	1922	1623	26	1.65	0.91	1698	1434	26	1.85	1.1	1429	1207	27	2.20	1.2	1284	1084	27	2.45	1.4	1106	934	27	2.85	1.5	1040	878	27	3.05	1.7	894	755	27	3.55			0.48	3224	2722			19			1.00	GR97R57 GRF97R57	4P		4.5	342	289	12	2.55	0.57	2737	2311			23	1.15	0.63	2461	2078	24		1.30	0.75	2061	1740			10	0.80			0.88	1770	1495	15		0.95		GR97R57 GRF97R57	4P	2.3	676	571	6.9	0.95	GR67R37 GRF67R37	4P	0.94	1659	1401	16	1.00	1.1	1465	1237	17	1.10	1.1	1362	1150	18	1.20	1.3	1234			1042	18	1.35	1.4	1107	935		19	1.50	1.6	955	806		19	1.70		0.75	2065	1744	11				0.80		GR87R57	4P	2.7		576	486	7.9	1.10	GR67R37 GRF67R37	4P	0.86	1812	1530	13	0.90	GRF87R57					1.0	1549	1308	17	1.05		0.75		2065	1744	11	0.80	GR87R57 GRF87R57	4P	2.9	538	454	6.6	0.90	GR57R37 GRF57R37	4P	0.86	1812	1530	13	0.90	1.0	1549	1308	17	1.05	0.75	2065	1744	11	0.80	0.86	1812	1530	13	0.90	1.0	1549	1308	17	1.05	0.75	2065	1744	11	0.80	0.86	1812	1530	13	0.90	1.0	1549	1308	17	1.05	0.75	2065	1744	11	0.80	0.86	1812	1530	13	0.90	1.0	1549	1308	17	1.05								
0.24	6483	5474	69	2.10			0.27	5844	4935	69	2.35		0.30			5143	4343			70	2.70	0.36				4370	3690		70	3.15		0.40	3845	3247	70	3.60	0.15	10419	8798	47	0.80	GR137R77 GRF137R77	4P	2.0	795	671			10	1.10	GR77R37 GRF77R37			4P	0.17	8871		7491	52		0.95	0.20	7781	6570	53	1.10	0.22					6921	5844	54	1.20	0.26	6069	5125	55	1.40			0.29	5295	4471	56	1.60	0.33	4679	3951	57	1.80	GR137R77 GRF137R77	4P	2.3	676	571					11	1.30	GR77R37 GRF77R37	4P	0.28	5637			4760			55			1.50				0.32	4809	4061		56	1.75	0.37		4205	3551	57	2.00	0.39	3996	3374	57	2.10	0.44	3505	2960	57	2.40	0.30	5252	4435	27	0.85	GR107R77	4P		2.7		578	488	11	1.50	GR67R37 GRF67R37		4P		0.34	4614	3896	30	1.00	GRF107R77	0.43	3599	3039	33	1.25	0.33	4640	3918	28	1.00	GR107R77 GRF107R77	4P	3.0			516					436	12	1.70	0.39	3959			3343	31	1.15	0.43	3593	3034	32	1.25	0.49	3142	2653	33	1.45	0.57	2700	2280	34	1.70	0.63			2448	2067	35	1.85	0.66	2353	1987	35					1.95	GR107R77 GRF107R77	4P			3.5			442	373	12	2.00	0.72	2164	1827	35	2.10	0.82			1894	1599	35	2.40	0.94	1658	1400	35	2.75	1.1			1452	1226	36	3.15			0.49	3160	2668	20			1.00			GR107R77 GRF107R77	4P	4.0	387	327	12	2.25	0.58	2659	2245	23	1.20	0.65	2387	2016	24	1.35	0.76	2052	1733	25	1.55	0.81	1922	1623	26	1.65	0.91	1698	1434	26	1.85	1.1	1429	1207	27	2.20	1.2	1284	1084	27	2.45	1.4	1106	934	27	2.85	1.5	1040	878	27	3.05	1.7	894	755			27	3.55	0.48			3224	2722	19	1.00				GR97R57 GRF97R57	4P	4.5	342	289	12	2.55	0.57			2737	2311	23	1.15	0.63	2461		2078	24	1.30	0.75			2061	1740			10	0.80	0.88	1770		1495				15	0.95	GR97R57 GRF97R57	4P	2.3	676		571	6.9	0.95	GR67R37 GRF67R37	4P	0.94	1659	1401	16	1.00	1.1	1465	1237	17	1.10	1.1	1362			1150	18	1.20	1.3	1234	1042		18	1.35	1.4	1107	935		19	1.50	1.6	955	806	19	1.70				0.75	2065	1744		11		0.80	GR87R57	4P	2.7	576		486	7.9	1.10	GR67R37 GRF67R37	4P	0.86					1812	1530	13	0.90	GRF87R57		1.0		1549	1308	17	1.05			0.75	2065	1744	11	0.80	GR87R57 GRF87R57		4P	2.9	538	454	6.6	0.90	GR57R37 GRF57R37	4P	0.86	1812	1530	13	0.90	1.0	1549	1308	17	1.05	0.75	2065	1744	11	0.80	0.86	1812	1530	13	0.90	1.0	1549	1308	17	1.05	0.75	2065	1744	11	0.80	0.86	1812	1530	13	0.90	1.0	1549	1308	17	1.05	0.75	2065	1744	11	0.80	0.86	1812	1530	13	0.90	1.0	1549	1308	17	1.05
0.27	5844	4935	69	2.35			0.30	5143	4343	70	2.70		0.36			4370	3690			70	3.15	0.40				3845	3247		70	3.60		0.15	10419	8798	47	0.80	GR137R77 GRF137R77	4P	2.0	795	671			10	1.10	GR77R37 GRF77R37			4P	0.17	8871				7491	52		0.95	0.20		7781	6570	53	1.10	0.22	6921	5844			54	1.20	0.26	6069	5125	55	1.40	0.29	5295	4471	56	1.60		0.33	4679	3951	57	1.80	GR137R77 GRF137R77	4P	2.3	676	571			11	1.30	GR77R37 GRF77R37					4P	0.28	5637		4760	55			1.50			0.32			4809				4061	56	1.75		0.37	4205	3551		57	2.00	0.39	3996	3374	57	2.10	0.44	3505	2960	57	2.40	0.30	5252	4435	27	0.85	GR107R77	4P	2.7			578		488	11	1.50	GR67R37 GRF67R37	4P				0.34	4614	3896	30	1.00	GRF107R77	0.43	3599	3039	33	1.25	0.33	4640	3918	28	1.00			GR107R77 GRF107R77			4P		3.0	516		436	12	1.70	0.39	3959			3343	31	1.15	0.43	3593	3034	32	1.25	0.49	3142	2653	33	1.45	0.57	2700	2280	34	1.70	0.63			2448	2067	35	1.85	0.66	2353	1987	35					1.95					GR107R77 GRF107R77			4P	3.5	442	373	12	2.00	0.72	2164	1827	35			2.10	0.82	1894	1599	35	2.40	0.94	1658	1400	35			2.75	1.1	1452	1226			36	3.15	0.49	3160			2668					20	1.00	GR107R77 GRF107R77	4P	4.0	387	327	12	2.25	0.58	2659	2245	23	1.20	0.65	2387	2016	24	1.35	0.76	2052	1733	25	1.55	0.81	1922	1623	26	1.65	0.91	1698	1434	26	1.85	1.1	1429	1207	27	2.20	1.2	1284	1084	27	2.45	1.4	1106	934	27	2.85	1.5	1040	878	27			3.05	1.7	894			755	27	3.55	0.48						3224	2722	19	1.00	GR97R57 GRF97R57	4P			4.5	342	289	12	2.55	0.57		2737	2311	23	1.15			0.63	2461			2078	24	1.30	0.75		2061				1740	10			0.80	0.88		1770	1495	15	0.95		GR97R57 GRF97R57	4P	2.3	676	571	6.9	0.95	GR67R37 GRF67R37	4P	0.94	1659	1401			16	1.00	1.1	1465	1237	17		1.10	1.1	1362	1150	18		1.20	1.3	1234	1042	18	1.35	1.4				1107	935	19		1.50		1.6	955		806	19		1.70	0.75	2065	1744		11					0.80	GR87R57	4P	2.7	576		486		7.9	1.10	GR67R37 GRF67R37	4P			0.86	1812	1530	13	0.90				GRF87R57	1.0	1549	1308	17	1.05		0.75	2065	1744	11	0.80	GR87R57 GRF87R57	4P	2.9	538	454	6.6	0.90	GR57R37 GRF57R37	4P	0.86	1812	1530	13	0.90	1.0	1549	1308	17	1.05	0.75	2065	1744	11	0.80	0.86	1812	1530	13	0.90	1.0	1549	1308	17	1.05	0.75	2065	1744	11	0.80	0.86	1812	1530	13	0.90	1.0	1549	1308	17	1.05	0.75
0.30	5143	4343	70	2.70			0.36	4370	3690	70	3.15		0.40			3845	3247			70	3.60	0.15	10419	8798		47	0.80		GR137R77 GRF137R77	4P	2.0	795	671	10	1.10	GR77R37 GRF77R37			4P	0.17	8871			7491	52	0.95				0.20	7781				6570	53		1.10	0.22		6921	5844	54	1.20	0.26	6069	5125	55	1.40	0.29	5295	4471	56	1.60	0.33	4679	3951	57	1.80	GR137R77 GRF137R77	4P	2.3	676	571	11	1.30	GR77R37 GRF77R37			4P	0.28	5637			4760	55	1.50						0.32	4809		4061	56			1.75	0.37	4205	3551			57			2.00	0.39	3996	3374		57	2.10	0.44		3505	2960	57	2.40	0.30	5252	4435	27	0.85	GR107R77	4P	2.7	578	488	11	1.50	GR67R37 GRF67R37	4P		0.34		4614	3896		30	1.00	GRF107R77	0.43		3599			3039	33	1.25	0.33	4640	3918	28	1.00	GR107R77 GRF107R77	4P	3.0	516	436	12	1.70	0.39								3959	3343		31	1.15	0.43	3593	3034	32	1.25	0.49	3142	2653	33	1.45	0.57	2700	2280	34	1.70	0.63	2448	2067	35	1.85	0.66	2353	1987	35	1.95	GR107R77 GRF107R77	4P	3.5	442	373	12	2.00	0.72	2164					1827									35	2.10	0.82	1894	1599	35	2.40	0.94	1658			1400	35	2.75	1.1	1452	1226	36	3.15	0.49	3160			2668	20	1.00	GR107R77 GRF107R77			4P	4.0	387	327			12					2.25	0.58			2659	2245	23	1.20	0.65	2387	2016	24	1.35	0.76	2052	1733	25	1.55	0.81	1922	1623	26	1.65	0.91	1698	1434	26	1.85	1.1	1429	1207	27	2.20	1.2	1284	1084	27	2.45	1.4	1106	934	27	2.85	1.5	1040	878	27	3.05	1.7	894	755	27	3.55	0.48	3224	2722	19	1.00			GR97R57 GRF97R57	4P	4.5	342						289	12	2.55	0.57					2737	2311	23	1.15	0.63	2461		2078	24	1.30	0.75			2061	1740			10	0.80	0.88	1770		1495				15	0.95			GR97R57 GRF97R57	4P		2.3	676	571	6.9				0.95	GR67R37 GRF67R37	4P	0.94	1659	1401		16	1.00	1.1			1465	1237	17	1.10	1.1	1362		1150	18	1.20	1.3	1234	1042	18	1.35	1.4	1107	935	19	1.50			1.6	955	806	19		1.70		0.75	2065		1744	11		0.80	GR87R57	4P	2.7		576					486	7.9		1.10	GR67R37 GRF67R37		4P		0.86	1812	1530				13	0.90	GRF87R57	1.0	1549				1308	17	1.05	0.75	2065	1744		11	0.80	GR87R57 GRF87R57	4P	2.9			538	454	6.6	0.90	GR57R37 GRF57R37	4P		0.86	1812	1530	13	0.90	1.0	1549	1308	17	1.05	0.75	2065	1744	11	0.80	0.86	1812	1530	13	0.90	1.0	1549	1308	17	1.05	0.75	2065	1744	11	0.80	0.86	1812	1530	13	0.90	1.0	1549	1308	17	1.05	0.75
0.36	4370	3690	70	3.15			0.40	3845	3247	70	3.60		0.15			10419	8798	47	0.80	GR137R77 GRF137R77	4P	2.0	795	671		10	1.10	GR77R37 GRF77R37			4P	0.17	8871	7491	52	0.95				0.20	7781			6570	53	1.10				0.22	6921				5844	54		1.20	0.26		6069	5125	55	1.40	0.29	5295	4471	56	1.60	0.33	4679	3951	57	1.80	GR137R77 GRF137R77	4P	2.3	676	571			11	1.30	GR77R37 GRF77R37	4P	0.28	5637				4760	55			1.50	0.32	4809						4061	56		1.75	0.37			4205	3551	57	2.00	0.39	3996	3374			57	2.10	0.44	3505	2960	57	2.40	0.30		5252	4435	27	0.85	GR107R77	4P	2.7	578	488	11		1.50	GR67R37 GRF67R37	4P	0.34	4614	3896			30		1.00	GRF107R77	0.43	3599	3039	33	1.25		0.33		4640	3918	28	1.00	GR107R77 GRF107R77	4P	3.0	516	436			12	1.70	0.39	3959	3343	31								1.15	0.43		3593	3034	32	1.25	0.49	3142	2653	33	1.45	0.57	2700	2280	34	1.70	0.63	2448	2067	35	1.85	0.66	2353	1987	35	1.95	GR107R77 GRF107R77	4P	3.5			442	373	12	2.00	0.72	2164	1827	35	2.10			0.82									1894	1599	35	2.40	0.94	1658	1400	35	2.75			1.1	1452	1226	36	3.15	0.49	3160	2668	20	1.00			GR107R77 GRF107R77	4P	4.0					387	327	12			2.25					0.58	2659			2245	23	1.20	0.65	2387	2016	24	1.35	0.76	2052	1733	25	1.55	0.81	1922	1623	26	1.65	0.91	1698	1434	26	1.85	1.1	1429	1207	27	2.20	1.2	1284	1084	27	2.45	1.4	1106	934	27	2.85	1.5	1040	878	27	3.05	1.7	894	755	27	3.55	0.48	3224	2722	19	1.00	GR97R57 GRF97R57					4P	4.5	342	289				12	2.55	0.57	2737					2311	23	1.15	0.63	2461	2078		24	1.30	0.75	2061			1740	10			0.80	0.88	1770	1495		15				0.95	GR97R57 GRF97R57						4P	2.3	676	571				6.9	0.95		GR67R37 GRF67R37	4P	0.94		1659	1401	16			1.00	1.1	1465	1237	17	1.10		1.1	1362	1150	18	1.20	1.3	1234	1042	18	1.35	1.4	1107	935			19	1.50	1.6	955	806	19		1.70	0.75		2065	1744	11	0.80	GR87R57		4P		2.7					576	486		7.9	1.10				GR67R37 GRF67R37	4P	0.86				1812	1530	13	0.90	GRF87R57				1.0	1549	1308	17	1.05	0.75		2065	1744			11			0.80	GR87R57 GRF87R57	4P	2.9	538			454	6.6	0.90	GR57R37 GRF57R37	4P	0.86	1812	1530	13	0.90	1.0	1549	1308	17	1.05	0.75	2065	1744	11	0.80	0.86	1812	1530	13	0.90	1.0	1549	1308	17	1.05	0.75	2065	1744	11	0.80	0.86	1812	1530	13	0.90	1.0
0.40	3845	3247	70	3.60			0.15	10419	8798	47	0.80	GR137R77 GRF137R77	4P	2.0		795	671	10	1.10			GR77R37 GRF77R37	4P	0.17	8871	7491	52	0.95				0.20	7781	6570	53	1.10				0.22	6921			5844	54	1.20				0.26	6069	5125	55		1.40	0.29		5295	4471	56	1.60	0.33	4679	3951	57	1.80	GR137R77 GRF137R77	4P	2.3	676	571	11	1.30	GR77R37 GRF77R37			4P	0.28	5637			4760	55	1.50		0.32	4809				4061	56			1.75	0.37	4205						3551	57		2.00	0.39			3996	3374	57	2.10	0.44	3505	2960	57	2.40	0.30	5252	4435	27	0.85	GR107R77	4P	2.7	578	488	11	1.50	GR67R37 GRF67R37	4P		0.34	4614	3896	30		1.00	GRF107R77		0.43	3599	3039			33	1.25	0.33	4640	3918	28	1.00	GR107R77 GRF107R77	4P		3.0	516	436	12	1.70	0.39			3959	3343	31			1.15	0.43	3593	3034	32	1.25				0.49	3142			2653	33		1.45	0.57	2700	2280	34	1.70	0.63	2448	2067	35	1.85	0.66	2353	1987	35	1.95	GR107R77 GRF107R77	4P	3.5	442	373	12	2.00	0.72			2164			1827	35	2.10	0.82	1894	1599	35	2.40	0.94			1658						1400	35		2.75	1.1	1452	1226	36	3.15	0.49	3160	2668	20	1.00	GR107R77 GRF107R77	4P	4.0	387	327	12	2.25	0.58	2659	2245					23					1.20	0.65	2387			2016					24	1.35			0.76	2052	1733	25	1.55	0.81	1922	1623	26	1.65	0.91	1698	1434	26	1.85	1.1	1429	1207	27	2.20	1.2	1284	1084	27	2.45	1.4	1106	934	27	2.85	1.5	1040	878	27	3.05	1.7	894	755	27	3.55	0.48	3224	2722	19	1.00	GR97R57 GRF97R57	4P	4.5	342	289	12	2.55	0.57		2737	2311				23	1.15	0.63	2461	2078	24	1.30	0.75	2061	1740					10	0.80	0.88	1770	1495	15		0.95	GR97R57 GRF97R57	4P	2.3			676	571			6.9	0.95	GR67R37 GRF67R37	4P		0.94				1659								1401	16	1.00				1.1	1465		1237		17		1.10	1.1	1362	1150	18	1.20	1.3	1234	1042	18	1.35	1.4	1107	935	19	1.50	1.6	955	806	19	1.70	0.75	2065	1744	11			0.80	GR87R57	4P	2.7	576	486		7.9	1.10	GR67R37 GRF67R37	4P	0.86	1812	1530	13			0.90	GRF87R57					1.0	1549		1308	17				1.05		0.75				2065	1744	11	0.80	GR87R57 GRF87R57				4P	2.9	538	454	6.6	0.90		GR57R37 GRF57R37	4P			0.86			1812			1530	13			0.90	1.0	1549	1308		17	1.05	0.75	2065	1744	11	0.80	0.86	1812	1530	13	0.90	1.0	1549	1308	17	1.05	0.75	2065	1744	11	0.80	0.86	1812	1530	13	0.90	1.0	1549	1308	17	1.05	0.75	2065	1744	11
0.15	10419	8798	47	0.80	GR137R77 GRF137R77	4P	2.0	795	671	10	1.10			GR77R37 GRF77R37	4P																																																																																																																																																																																																																																																																																																																																																																																																																																																																																																																																					
0.17	8871	7491	52	0.95			0.20	7781	6570	53	1.10			0.22		6921	5844	54	1.20			0.26		6069	5125	55	1.40	0.29				5295	4471	56	1.60	0.33				4679	3951	57	1.80	GR137R77 GRF137R77	4P	2.3	676	571		11	1.30	GR77R37 GRF77R37	4P	0.28	5637	4760	55	1.50	0.32	4809	4061	56	1.75	0.37	4205	3551			57	2.00	0.39	3996	3374	57				2.10	0.44			3505	2960	57		2.40	0.30				5252	4435			27	0.85	GR107R77			4P	2.7		578	488		11	1.50	GR67R37 GRF67R37		4P	0.34	4614	3896	30	1.00	GRF107R77	0.43	3599	3039	33	1.25	0.33	4640	3918		28	1.00	GR107R77 GRF107R77	4P	3.0	516			436	12	1.70	0.39	3959	3343	31		1.15	0.43	3593	3034	32	1.25	0.49	3142	2653	33	1.45	0.57			2700	2280	34	1.70	0.63	2448	2067			35	1.85	0.66			2353	1987	35	1.95	GR107R77 GRF107R77	4P	3.5	442		373	12		2.00	0.72	2164	1827	35	2.10	0.82	1894	1599	35	2.40	0.94	1658	1400	35	2.75	1.1	1452	1226	36			3.15	0.49	3160	2668	20	1.00			GR107R77 GRF107R77			4P	4.0	387	327	12	2.25	0.58	2659	2245	23	1.20	0.65						2387	2016		24	1.35	0.76	2052	1733	25	1.55	0.81	1922	1623	26			1.65	0.91	1698	1434	26	1.85	1.1	1429	1207	27			2.20					1.2	1284	1084	27	2.45	1.4					1106	934			27	2.85	1.5	1040	878	27	3.05	1.7	894	755	27	3.55	0.48	3224	2722	19	1.00	GR97R57 GRF97R57	4P	4.5	342	289	12	2.55	0.57	2737	2311	23	1.15	0.63	2461	2078	24	1.30	0.75	2061	1740	10	0.80	0.88	1770	1495	15	0.95	GR97R57 GRF97R57			4P	2.3	676	571	6.9	0.95		GR67R37 GRF67R37	4P	0.94	1659		1401	16	1.00	1.1	1465	1237	17	1.10	1.1	1362	1150	18	1.20	1.3	1234	1042	18	1.35	1.4	1107	935	19			1.50			1.6	955	806	19	1.70	0.75	2065			1744	11			0.80								GR87R57	4P	2.7				576	486		7.9		1.10		GR67R37 GRF67R37	4P	0.86	1812	1530	13	0.90	GRF87R57	1.0	1549	1308	17	1.05	0.75	2065	1744	11	0.80	GR87R57 GRF87R57	4P	2.9	538	454	6.6	0.90	GR57R37 GRF57R37	4P	0.86	1812		1530	13	0.90	1.0	1549	1308	17		1.05	0.75	2065	1744	11		0.80	0.86		1812	1530		13	0.90	1.0	1549	1308	17	1.05		0.75		2065	1744			11	0.80	0.86	1812						1530	13	0.90	1.0	1549		1308				17			1.05			0.75	2065			1744	11	0.80	0.86		1812	1530	13	0.90	1.0	1549	1308	17	1.05																											
0.20	7781	6570	53	1.10			0.22	6921	5844	54	1.20			0.26		6069	5125	55	1.40			0.29		5295	4471	56	1.60	0.33				4679	3951	57	1.80	GR137R77 GRF137R77	4P	2.3		676	571	11	1.30			GR77R37 GRF77R37	4P	0.28	5637	4760	55	1.50		0.32	4809	4061	56	1.75	0.37	4205	3551	57	2.00	0.39	3996	3374			57	2.10	0.44	3505	2960	57				2.40	0.30			5252	4435	27		0.85	GR107R77				4P	2.7			578	488	11	1.50	GR67R37 GRF67R37		4P		0.34	4614		3896	30	1.00	GRF107R77		0.43	3599	3039	33	1.25	0.33	4640	3918	28	1.00	GR107R77 GRF107R77	4P	3.0	516		436	12			1.70	0.39		3959	3343	31	1.15	0.43	3593	3034	32	1.25	0.49	3142	2653	33	1.45	0.57	2700	2280	34	1.70	0.63	2448			2067	35	1.85	0.66	2353	1987	35			1.95	GR107R77 GRF107R77	4P			3.5	442	373	12			2.00	0.72	2164	1827	35	2.10	0.82	1894	1599	35	2.40	0.94	1658	1400	35	2.75	1.1	1452	1226	36	3.15	0.49	3160	2668	20	1.00			GR107R77 GRF107R77	4P	4.0	387	327	12							2.25	0.58	2659	2245	23	1.20	0.65	2387	2016	24	1.35			0.76	2052		1733	25		1.55	0.81	1922	1623	26	1.65	0.91	1698	1434	26	1.85			1.1	1429	1207	27	2.20	1.2	1284	1084	27	2.45			1.4					1106	934	27	2.85	1.5	1040					878	27			3.05	1.7	894	755	27	3.55	0.48	3224	2722	19	1.00	GR97R57 GRF97R57	4P	4.5	342	289	12			2.55	0.57	2737	2311	23	1.15	0.63	2461	2078	24	1.30	0.75	2061	1740	10	0.80	0.88	1770	1495	15	0.95	GR97R57 GRF97R57	4P	2.3	676					571	6.9	0.95	GR67R37 GRF67R37	4P	0.94	1659		1401	16	1.00	1.1	1465	1237	17	1.10	1.1	1362	1150	18	1.20	1.3	1234	1042	18	1.35	1.4	1107	935	19	1.50	1.6	955			806			19	1.70	0.75	2065	1744	11	0.80			GR87R57	4P			2.7								576		486				7.9	1.10		GR67R37 GRF67R37		4P		0.86		1812	1530	13	0.90	GRF87R57	1.0	1549	1308	17	1.05	0.75	2065	1744	11	0.80	GR87R57 GRF87R57			4P	2.9	538	454	6.6	0.90		GR57R37 GRF57R37	4P		0.86	1812	1530	13	0.90	1.0	1549		1308	17	1.05	0.75	2065	1744	11	0.80		0.86	1812		1530	13	0.90	1.0	1549	1308	17		1.05	0.75	2065	1744			11	0.80	0.86	1812						1530	13	0.90	1.0	1549		1308				17			1.05			0.75	2065			1744	11	0.80	0.86		1812	1530	13	0.90	1.0	1549	1308	17	1.05																											
0.22	6921	5844	54	1.20			0.26	6069	5125	55	1.40			0.29		5295	4471	56	1.60			0.33		4679	3951	57	1.80	GR137R77 GRF137R77	4P	2.3		676	571	11	1.30			GR77R37 GRF77R37	4P	0.28	5637	4760	55			1.50		0.32	4809	4061	56	1.75		0.37	4205	3551	57	2.00	0.39	3996	3374	57	2.10	0.44	3505	2960			57	2.40	0.30	5252	4435	27				0.85	GR107R77			4P	2.7	578		488	11					1.50	GR67R37 GRF67R37	4P	0.34	4614	3896	30	1.00				GRF107R77	0.43	3599	3039	33	1.25	0.33		4640	3918	28	1.00	GR107R77 GRF107R77	4P	3.0	516	436	12			1.70	0.39	3959	3343	31			1.15	0.43	3593	3034	32	1.25	0.49	3142	2653	33	1.45	0.57	2700	2280	34	1.70	0.63	2448	2067	35	1.85	0.66	2353	1987			35	1.95	GR107R77 GRF107R77	4P	3.5	442	373			12			2.00	0.72	2164	1827	35	2.10			0.82	1894	1599	35	2.40	0.94	1658	1400	35	2.75	1.1	1452	1226	36	3.15	0.49	3160	2668	20	1.00	GR107R77 GRF107R77	4P	4.0	387	327	12					2.25	0.58	2659	2245							23	1.20	0.65	2387	2016	24	1.35	0.76	2052	1733	25	1.55	0.81	1922	1623		26	1.65		0.91	1698	1434	26	1.85	1.1	1429	1207	27	2.20	1.2			1284	1084	27	2.45	1.4	1106	934	27	2.85	1.5			1040		878	27		3.05	1.7	894	755	27	3.55					0.48	3224			2722	19	1.00	GR97R57 GRF97R57	4P	4.5	342	289	12	2.55	0.57			2737	2311	23	1.15			0.63	2461	2078	24	1.30	0.75	2061	1740	10	0.80	0.88	1770	1495	15	0.95	GR97R57 GRF97R57	4P	2.3	676	571	6.9			0.95	GR67R37 GRF67R37		4P	0.94		1659	1401	16	1.00		1.1	1465		1237	17	1.10	1.1	1362	1150	18	1.20	1.3	1234	1042	18	1.35	1.4	1107	935	19	1.50	1.6	955	806	19	1.70	0.75	2065			1744	11	0.80	GR87R57	4P	2.7	576	486	7.9	1.10		GR67R37 GRF67R37	4P				0.86								1812		1530				13	0.90		GRF87R57				1.0		1549	1308	17	1.05	0.75	2065	1744	11	0.80	GR87R57 GRF87R57	4P	2.9	538	454	6.6					0.90	GR57R37 GRF57R37	4P	0.86	1812		1530		13	0.90	1.0	1549	1308	17	1.05	0.75	2065	1744	11	0.80	0.86	1812	1530	13	0.90	1.0	1549	1308	17	1.05	0.75	2065	1744	11	0.80	0.86	1812	1530	13	0.90	1.0			1549	1308	17	1.05						0.75	2065	1744	11	0.80		0.86				1812			1530			13	0.90			1.0	1549	1308	17		1.05																																			
0.26	6069	5125	55	1.40			0.29	5295	4471	56	1.60			0.33		4679	3951	57	1.80	GR137R77 GRF137R77	4P	2.3		676	571	11	1.30			GR77R37 GRF77R37	4P	0.28	5637	4760	55			1.50		0.32	4809	4061	56			1.75		0.37	4205	3551	57	2.00		0.39	3996	3374	57	2.10	0.44	3505	2960	57	2.40	0.30	5252	4435			27	0.85	GR107R77	4P	2.7	578				488	11				1.50	GR67R37 GRF67R37		4P	0.34	4614	3896			30	1.00		GRF107R77	0.43	3599	3039	33			1.25	0.33	4640	3918	28	1.00	GR107R77 GRF107R77	4P		3.0	516	436	12			1.70	0.39	3959	3343			31	1.15	0.43	3593	3034			32	1.25	0.49	3142	2653	33	1.45	0.57	2700	2280	34	1.70	0.63	2448	2067	35	1.85	0.66	2353	1987	35	1.95	GR107R77 GRF107R77	4P			3.5	442			373	12	2.00	0.72	2164	1827			35	2.10	0.82	1894	1599	35			2.40	0.94	1658	1400	35	2.75	1.1	1452	1226	36	3.15	0.49	3160	2668	20	1.00	GR107R77 GRF107R77	4P	4.0	387			327	12	2.25	0.58					2659	2245	23	1.20							0.65	2387	2016	24	1.35	0.76	2052	1733	25	1.55	0.81	1922	1623	26	1.65	0.91	1698	1434	26	1.85	1.1	1429	1207	27	2.20	1.2	1284	1084	27	2.45			1.4	1106	934	27	2.85	1.5	1040	878	27	3.05			1.7		894	755		27	3.55	0.48	3224	2722	19	1.00	GR97R57 GRF97R57			4P	4.5			342	289	12			2.55	0.57	2737	2311	23	1.15			0.63	2461	2078	24			1.30	0.75	2061	1740	10	0.80	0.88	1770	1495	15	0.95	GR97R57 GRF97R57	4P	2.3	676			571	6.9	0.95	GR67R37 GRF67R37			4P	0.94			1659		1401	16	1.00	1.1		1465	1237		17	1.10	1.1	1362	1150	18	1.20	1.3	1234	1042	18	1.35	1.4	1107	935	19	1.50	1.6	955	806	19	1.70	0.75	2065	1744			11	0.80	GR87R57	4P		2.7	576	486	7.9	1.10		GR67R37 GRF67R37			4P	0.86	1812						1530		13		0.90				GRF87R57	1.0		1549				1308		17	1.05	0.75	2065	1744	11	0.80	GR87R57 GRF87R57	4P			2.9	538	454	6.6					0.90	GR57R37 GRF57R37		4P	0.86		1812		1530	13	0.90	1.0	1549	1308	17	1.05	0.75	2065	1744	11	0.80	0.86	1812	1530	13	0.90	1.0	1549	1308	17	1.05	0.75	2065	1744	11	0.80	0.86	1812	1530	13	0.90	1.0	1549	1308	17	1.05	0.75			2065			1744	11	0.80	0.86	1812		1530				13			0.90			1.0	1549			1308	17	1.05																																						
0.29	5295	4471	56	1.60			0.33	4679	3951	57	1.80	GR137R77 GRF137R77	4P	2.3		676	571	11	1.30			GR77R37 GRF77R37	4P	0.28	5637	4760	55			1.50		0.32	4809	4061	56			1.75		0.37	4205	3551	57			2.00		0.39	3996	3374	57	2.10		0.44	3505	2960	57	2.40	0.30	5252	4435	27	0.85	GR107R77	4P	2.7			578	488	11		1.50	GR67R37 GRF67R37				4P	0.34	4614	3896		30	1.00			GRF107R77	0.43	3599	3039		33	1.25		0.33	4640	3918	28	1.00	GR107R77 GRF107R77		4P	3.0	516	436	12	1.70			0.39	3959	3343	31	1.15			0.43	3593	3034	32			1.25	0.49	3142	2653	33			1.45	0.57	2700	2280	34	1.70	0.63	2448	2067	35	1.85	0.66	2353	1987	35	1.95	GR107R77 GRF107R77	4P	3.5	442	373	12			2.00	0.72	2164	1827			35	2.10	0.82	1894	1599	35			2.40	0.94	1658	1400	35	2.75			1.1	1452	1226	36	3.15	0.49	3160	2668	20	1.00	GR107R77 GRF107R77	4P	4.0	387	327	12			2.25	0.58			2659	2245	23	1.20					0.65	2387	2016	24				1.35	0.76		2052	1733	25	1.55	0.81	1922	1623	26	1.65	0.91	1698	1434	26	1.85	1.1	1429	1207	27	2.20	1.2	1284	1084	27	2.45	1.4	1106	934	27	2.85	1.5			1040	878	27	3.05	1.7	894	755	27	3.55	0.48			3224		2722	19		1.00	GR97R57 GRF97R57	4P	4.5	342	289	12		2.55	0.57		2737			2311	23	1.15			0.63	2461	2078	24	1.30	0.75			2061	1740	10	0.80	0.88	1770	1495	15	0.95	GR97R57 GRF97R57	4P	2.3	676	571	6.9	0.95	GR67R37 GRF67R37			4P	0.94			1659	1401	16	1.00				1.1			1465		1237	17	1.10	1.1		1362	1150		18	1.20	1.3	1234	1042	18	1.35	1.4	1107	935	19	1.50	1.6	955	806	19	1.70	0.75	2065	1744	11	0.80	GR87R57	4P	2.7			576	486	7.9			1.10	GR67R37 GRF67R37	4P	0.86	1812		1530				13	0.90		GRF87R57	1.0			1549		1308	17	1.05	0.75			2065	1744		11				0.80	GR87R57 GRF87R57	4P	2.9	538	454	6.6	0.90	GR57R37 GRF57R37					4P	0.86	1812	1530					13	0.90			1.0		1549		1308	17	1.05	0.75	2065	1744	11	0.80	0.86	1812	1530	13	0.90	1.0	1549	1308	17	1.05	0.75	2065	1744	11	0.80	0.86	1812	1530	13	0.90	1.0	1549	1308	17	1.05	0.75	2065	1744	11	0.80	0.86		1812	1530	13		0.90	1.0	1549	1308	17	1.05																																																							
0.33	4679	3951	57	1.80	GR137R77 GRF137R77	4P	2.3	676	571	11	1.30			GR77R37 GRF77R37	4P																																																																																																																																																																																																																																																																																																																																																																																																																																																																																																																																					
0.28	5637	4760	55	1.50			0.32	4809	4061	56	1.75			0.37		4205	3551	57	2.00			0.39		3996	3374	57	2.10			0.44		3505	2960	57	2.40			0.30		5252	4435	27	0.85			GR107R77		4P	2.7	578	488	11		1.50	GR67R37 GRF67R37	4P	0.34	4614	3896	30	1.00	GRF107R77	0.43	3599		3039	33	1.25	0.33	4640	3918		28	1.00	GR107R77 GRF107R77	4P	3.0		516	436	12	1.70	0.39	3959	3343		31	1.15	0.43	3593	3034	32	1.25	0.49	3142	2653	33	1.45	0.57		2700		2280	34	1.70	0.63	2448			2067	35	1.85	0.66	2353			1987	35	1.95	GR107R77 GRF107R77			4P	3.5	442	373	12	2.00	0.72	2164	1827	35	2.10	0.82	1894	1599	35	2.40	0.94	1658	1400	35	2.75	1.1	1452			1226	36	3.15	0.49			3160	2668	20	1.00			GR107R77 GRF107R77	4P	4.0	387	327	12			2.25	0.58	2659	2245	23	1.20			0.65	2387	2016	24	1.35	0.76	2052	1733	25	1.55			0.81	1922	1623	26			1.65	0.91			1698	1434	26	1.85	1.1	1429			1207	27	2.20	1.2	1284	1084		27	2.45		1.4	1106	934	27	2.85	1.5	1040	878	27	3.05	1.7	894	755	27	3.55	0.48	3224	2722	19	1.00	GR97R57 GRF97R57	4P	4.5	342	289	12	2.55	0.57	2737	2311			23	1.15	0.63	2461	2078	24	1.30	0.75	2061	1740			10	0.80	0.88	1770	1495	15			0.95	GR97R57 GRF97R57	4P	2.3		676	571		6.9	0.95	GR67R37 GRF67R37	4P	0.94	1659	1401	16	1.00	1.1	1465	1237	17	1.10	1.1	1362	1150	18	1.20	1.3	1234	1042	18	1.35	1.4			1107	935	19	1.50	1.6	955				806			19	1.70	0.75	2065				1744			11		0.80	GR87R57	4P	2.7		576	486		7.9	1.10	GR67R37 GRF67R37	4P	0.86	1812	1530	13	0.90	GRF87R57	1.0	1549	1308	17	1.05	0.75	2065	1744	11	0.80	GR87R57 GRF87R57	4P	2.9		538			454	6.6	0.90		GR57R37 GRF57R37	4P	0.86		1812	1530		13	0.90	1.0		1549	1308		17	1.05	0.75	2065	1744		11	0.80	0.86	1812	1530	13	0.90	1.0	1549	1308		17	1.05	0.75			2065	1744	11	0.80	0.86	1812						1530	13	0.90					1.0	1549			1308		17		1.05	0.75	2065	1744	11	0.80	0.86	1812	1530	13	0.90	1.0	1549	1308	17	1.05																																																																																									
0.32	4809	4061	56	1.75			0.37	4205	3551	57	2.00			0.39		3996	3374	57	2.10			0.44		3505	2960	57	2.40			0.30		5252	4435	27	0.85			GR107R77		4P	2.7	578	488			11			1.50	GR67R37 GRF67R37	4P	0.34		4614	3896		30	1.00	GRF107R77	0.43	3599	3039	33	1.25		0.33	4640	3918	28	1.00	GR107R77 GRF107R77	4P	3.0	516			436		12	1.70	0.39	3959	3343	31	1.15	0.43	3593	3034	32	1.25	0.49	3142	2653	33	1.45	0.57	2700	2280	34		1.70		0.63	2448	2067	35	1.85			0.66	2353	1987	35	1.95			GR107R77 GRF107R77	4P	3.5		442	373		12	2.00	0.72	2164	1827	35	2.10	0.82	1894	1599	35	2.40	0.94	1658	1400	35	2.75	1.1	1452	1226	36	3.15			0.49	3160	2668	20			1.00	GR107R77 GRF107R77	4P	4.0					387	327	12	2.25			0.58	2659	2245	23	1.20	0.65			2387	2016	24	1.35	0.76	2052	1733	25	1.55	0.81			1922	1623	26	1.65			0.91	1698			1434	26	1.85	1.1	1429	1207			27	2.20	1.2	1284	1084	27		2.45	1.4		1106	934	27	2.85	1.5	1040	878	27	3.05	1.7	894	755	27	3.55	0.48	3224	2722	19	1.00	GR97R57 GRF97R57			4P	4.5	342	289	12	2.55	0.57	2737			2311	23	1.15	0.63	2461	2078	24	1.30	0.75	2061	1740	10	0.80	0.88	1770	1495	15	0.95			GR97R57 GRF97R57			4P	2.3	676	571	6.9	0.95	GR67R37 GRF67R37	4P		0.94	1659	1401	16	1.00	1.1	1465	1237	17	1.10	1.1	1362	1150	18	1.20	1.3	1234	1042	18	1.35	1.4			1107	935	19	1.50	1.6	955				806			19	1.70	0.75	2065				1744			11		0.80	GR87R57		4P		2.7	576		486	7.9	1.10		GR67R37 GRF67R37	4P	0.86	1812	1530	13	0.90	GRF87R57	1.0	1549	1308	17	1.05	0.75	2065	1744			11		0.80			GR87R57 GRF87R57	4P	2.9	538	454		6.6		0.90	GR57R37 GRF57R37		4P	0.86	1812	1530	13	0.90	1.0	1549	1308	17	1.05	0.75	2065	1744	11	0.80	0.86	1812	1530	13	0.90	1.0	1549	1308	17	1.05	0.75			2065	1744	11	0.80	0.86	1812						1530	13	0.90					1.0	1549			1308		17		1.05	0.75	2065	1744	11	0.80	0.86	1812	1530	13	0.90	1.0	1549	1308	17	1.05																																																																																									
0.37	4205	3551	57	2.00			0.39	3996	3374	57	2.10			0.44		3505	2960	57	2.40			0.30		5252	4435	27	0.85			GR107R77		4P	2.7	578	488			11			1.50	GR67R37 GRF67R37	4P	0.34	4614	3896			30	1.00		GRF107R77	0.43	3599	3039		33	1.25	0.33	4640	3918	28	1.00	GR107R77 GRF107R77	4P	3.0	516	436	12	1.70			0.39	3959			3343	31	1.15	0.43	3593	3034	32	1.25	0.49	3142	2653	33	1.45	0.57	2700	2280	34	1.70	0.63	2448	2067	35	1.85		0.66		2353	1987	35	1.95	GR107R77 GRF107R77			4P	3.5	442	373	12	2.00	0.72			2164		1827	35		2.10	0.82	1894	1599	35	2.40	0.94	1658	1400	35	2.75	1.1	1452	1226	36	3.15	0.49	3160	2668	20	1.00	GR107R77 GRF107R77			4P	4.0	387	327			12			2.25					0.58	2659	2245	23			1.20	0.65	2387	2016	24	1.35	0.76	2052	1733	25	1.55	0.81	1922	1623	26	1.65	0.91	1698			1434	26	1.85	1.1			1429	1207			27	2.20	1.2	1284	1084	27			2.45	1.4	1106	934	27	2.85		1.5	1040		878	27	3.05	1.7	894	755	27	3.55	0.48	3224	2722	19	1.00	GR97R57 GRF97R57	4P	4.5	342	289	12					2.55	0.57	2737	2311	23	1.15	0.63	2461	2078	24	1.30	0.75	2061	1740	10	0.80	0.88	1770	1495	15	0.95	GR97R57 GRF97R57	4P	2.3	676	571	6.9	0.95	GR67R37 GRF67R37					4P	0.94	1659	1401	16	1.00			1.1	1465	1237	17	1.10	1.1	1362	1150	18	1.20	1.3	1234	1042	18	1.35	1.4	1107	935	19	1.50	1.6			955	806	19	1.70	0.75	2065				1744			11	0.80	GR87R57	4P				2.7			576		486	7.9				1.10	GR67R37 GRF67R37		4P	0.86	1812		1530		13	0.90	GRF87R57	1.0	1549	1308	17	1.05	0.75	2065	1744	11	0.80	GR87R57 GRF87R57			4P	2.9	538	454	6.6			0.90	GR57R37 GRF57R37	4P		0.86	1812	1530	13	0.90		1.0	1549	1308	17	1.05	0.75	2065	1744	11	0.80	0.86	1812	1530	13	0.90	1.0	1549	1308	17	1.05	0.75	2065	1744	11	0.80	0.86			1812	1530	13	0.90	1.0	1549						1308	17	1.05					0.75	2065			1744		11		0.80	0.86	1812	1530	13	0.90	1.0	1549	1308	17	1.05																																																																																														
0.39	3996	3374	57	2.10			0.44	3505	2960	57	2.40			0.30		5252	4435	27	0.85			GR107R77		4P	2.7	578	488			11			1.50	GR67R37 GRF67R37	4P	0.34	4614	3896			30	1.00		GRF107R77	0.43	3599	3039		33	1.25		0.33	4640	3918	28		1.00	GR107R77 GRF107R77	4P	3.0	516	436	12			1.70	0.39	3959	3343	31			1.15	0.43			3593	3034	32	1.25	0.49	3142	2653	33	1.45	0.57	2700	2280	34	1.70	0.63	2448	2067	35	1.85	0.66	2353	1987	35		1.95		GR107R77 GRF107R77	4P	3.5	442		373	12		2.00	0.72	2164	1827	35	2.10			0.82		1894	1599		35	2.40	0.94	1658	1400	35	2.75	1.1	1452	1226	36	3.15	0.49	3160	2668	20	1.00	GR107R77 GRF107R77	4P	4.0	387					327	12	2.25			0.58			2659					2245	23	1.20	0.65	2387	2016	24	1.35	0.76	2052	1733	25	1.55	0.81	1922	1623	26	1.65	0.91	1698	1434	26	1.85	1.1			1429	1207	27	2.20			1.2	1284			1084	27	2.45	1.4	1106	934			27	2.85	1.5	1040	878	27		3.05	1.7		894	755	27	3.55	0.48	3224	2722	19	1.00	GR97R57 GRF97R57	4P	4.5	342			289	12	2.55	0.57					2737	2311	23	1.15	0.63	2461	2078	24	1.30	0.75	2061	1740	10	0.80	0.88	1770	1495	15	0.95	GR97R57 GRF97R57	4P			2.3	676	571	6.9	0.95	GR67R37 GRF67R37						4P	0.94	1659	1401	16			1.00	1.1	1465	1237	17	1.10	1.1	1362	1150	18	1.20	1.3	1234	1042	18	1.35	1.4	1107	935	19	1.50			1.6	955	806	19	1.70	0.75				2065			1744	11	0.80					GR87R57			4P		2.7	576				486	7.9			1.10	GR67R37 GRF67R37		4P		0.86	1812	1530	13	0.90	GRF87R57	1.0	1549	1308	17	1.05	0.75	2065					1744	11	0.80	GR87R57 GRF87R57			4P	2.9			538	454	6.6	0.90	GR57R37 GRF57R37		4P	0.86	1812	1530	13	0.90	1.0	1549	1308	17	1.05	0.75	2065	1744	11	0.80	0.86	1812	1530	13	0.90	1.0	1549	1308	17	1.05			0.75	2065	1744	11	0.80	0.86						1812	1530	13					0.90	1.0			1549		1308		17	1.05	0.75	2065	1744	11	0.80	0.86	1812	1530	13	0.90	1.0	1549	1308	17	1.05																																																																																								
0.44	3505	2960	57	2.40			0.30	5252	4435	27	0.85			GR107R77		4P	2.7	578	488			11			1.50	GR67R37 GRF67R37	4P	0.34	4614	3896			30	1.00		GRF107R77	0.43	3599	3039		33	1.25		0.33	4640	3918	28	1.00	GR107R77 GRF107R77	4P		3.0	516	436	12	1.70	0.39			3959	3343	31	1.15			0.43	3593	3034	32	1.25			0.49	3142			2653	33	1.45	0.57	2700	2280	34	1.70	0.63	2448	2067	35	1.85	0.66	2353	1987	35	1.95	GR107R77 GRF107R77	4P	3.5	442	373	12	2.00	0.72			2164	1827		35	2.10		0.82	1894	1599	35	2.40	0.94			1658		1400	35		2.75	1.1	1452	1226	36	3.15	0.49	3160	2668	20	1.00	GR107R77 GRF107R77	4P	4.0	387	327	12			2.25	0.58					2659	2245	23			1.20			0.65	2387	2016			24	1.35	0.76	2052	1733	25	1.55	0.81	1922	1623	26	1.65	0.91	1698	1434	26	1.85	1.1	1429	1207	27	2.20	1.2	1284			1084	27	2.45	1.4			1106	934			27	2.85	1.5	1040	878	27			3.05	1.7	894	755	27	3.55	0.48	3224	2722	19	1.00	GR97R57 GRF97R57	4P	4.5	342	289	12	2.55	0.57			2737	2311			23	1.15	0.63	2461		2078	24		1.30	0.75	2061	1740	10	0.80	0.88	1770	1495	15	0.95	GR97R57 GRF97R57	4P	2.3	676	571	6.9	0.95	GR67R37 GRF67R37					4P	0.94	1659	1401	16	1.00							1.1	1465	1237	17			1.10	1.1	1362	1150	18	1.20	1.3	1234	1042	18	1.35	1.4	1107	935	19	1.50	1.6	955	806	19	1.70			0.75	2065	1744	11	0.80	GR87R57				4P			2.7	576	486					7.9	1.10			GR67R37 GRF67R37	4P	0.86	1812			1530	13	0.90		GRF87R57	1.0	1549			1308	17	1.05	0.75	2065	1744	11	0.80	GR87R57 GRF87R57	4P	2.9	538	454					6.6	0.90	GR57R37 GRF57R37					4P			0.86	1812	1530	13	0.90			1.0	1549	1308	17	1.05	0.75	2065	1744	11	0.80	0.86	1812	1530	13	0.90	1.0	1549	1308	17	1.05	0.75	2065	1744	11	0.80			0.86	1812	1530	13	0.90	1.0						1549	1308	17		1.05	0.75		2065	1744			11	0.80	0.86		1812	1530	13	0.90	1.0	1549	1308	17	1.05																																																																																																
0.30	5252	4435	27	0.85			GR107R77	4P	2.7	578	488			11			1.50	GR67R37 GRF67R37	4P																																																																																																																																																																																																																																																																																																																																																																																																																																																																																																																																	
0.34	4614	3896	30	1.00			GRF107R77		0.43	3599	3039	33	1.25	0.33			4640	3918		28	1.00	GR107R77 GRF107R77	4P		3.0	516		436	12	1.70	0.39	3959	3343	31		1.15	0.43	3593	3034	32	1.25	0.49	3142	2653	33	1.45	0.57	2700			2280	34	1.70	0.63	2448	2067	35			1.85	0.66	2353	1987			35	1.95	GR107R77 GRF107R77	4P	3.5			442	373	12	2.00	0.72	2164	1827	35	2.10	0.82	1894	1599	35	2.40	0.94	1658	1400	35	2.75	1.1	1452	1226			36	3.15	0.49	3160	2668	20			1.00	GR107R77 GRF107R77		4P	4.0		387	327	12	2.25	0.58	2659			2245		23	1.20		0.65	2387	2016	24	1.35	0.76	2052	1733	25	1.55	0.81			1922	1623	26	1.65			0.91	1698		1434	26		1.85	1.1	1429	1207	27	2.20			1.2	1284	1084			27	2.45	1.4	1106	934	27	2.85	1.5	1040	878	27	3.05	1.7	894	755	27	3.55	0.48	3224	2722	19	1.00	GR97R57 GRF97R57	4P			4.5	342	289	12			2.55	0.57	2737	2311	23	1.15	0.63	2461	2078	24	1.30	0.75	2061	1740	10	0.80	0.88	1770	1495	15	0.95	GR97R57 GRF97R57	4P			2.3	676	571	6.9	0.95	GR67R37 GRF67R37			4P	0.94	1659	1401	16	1.00	1.1	1465	1237	17	1.10	1.1	1362	1150	18	1.20	1.3	1234	1042	18	1.35	1.4	1107			935	19	1.50	1.6	955	806						19	1.70	0.75	2065	1744							11	0.80	GR87R57	4P			2.7	576	486	7.9	1.10	GR67R37 GRF67R37	4P	0.86	1812	1530	13	0.90	GRF87R57	1.0	1549	1308	17	1.05	0.75	2065	1744			11	0.80	GR87R57 GRF87R57	4P	2.9	538					454	6.6	0.90	GR57R37 GRF57R37	4P	0.86	1812	1530		13	0.90	1.0		1549		1308	17	1.05	0.75	2065	1744	11	0.80	0.86	1812	1530		13	0.90	1.0	1549	1308	17	1.05	0.75	2065			1744	11	0.80					0.86	1812	1530								13	0.90	1.0	1549	1308			17	1.05	0.75	2065	1744	11	0.80	0.86	1812	1530	13	0.90	1.0	1549	1308	17	1.05																																																																																																																																													
0.43	3599	3039	33	1.25	0.33	4640	3918		28	1.00	GR107R77 GRF107R77	4P	3.0	516	436		12	1.70		0.39	3959			3343	31	1.15		0.43	3593	3034	32	1.25	0.49	3142	2653	33	1.45	0.57	2700	2280	34	1.70	0.63	2448	2067	35	1.85	0.66			2353	1987	35	1.95	GR107R77 GRF107R77	4P	3.5			442	373	12	2.00			0.72	2164			1827	35	2.10	0.82	1894	1599	35	2.40	0.94	1658	1400	35	2.75	1.1	1452	1226	36	3.15	0.49	3160	2668	20	1.00	GR107R77 GRF107R77	4P			4.0	387	327	12	2.25	0.58			2659				2245		23	1.20	0.65	2387	2016	24			1.35		0.76	2052		1733	25	1.55	0.81	1922	1623	26	1.65	0.91	1698	1434			26	1.85	1.1	1429			1207	27		2.20	1.2		1284	1084	27	2.45	1.4	1106			934	27	2.85			1.5	1040	878	27	3.05	1.7	894	755	27	3.55	0.48	3224	2722	19	1.00	GR97R57 GRF97R57	4P	4.5	342	289	12	2.55					0.57	2737	2311	23	1.15	0.63	2461	2078	24	1.30	0.75	2061	1740	10	0.80	0.88	1770	1495	15	0.95	GR97R57 GRF97R57	4P	2.3	676	571	6.9	0.95					GR67R37 GRF67R37	4P	0.94	1659	1401	16	1.00	1.1		1465	1237	17	1.10	1.1	1362	1150	18	1.20	1.3	1234	1042	18	1.35	1.4	1107	935	19	1.50	1.6	955	806			19	1.70	0.75	2065	1744	11						0.80	GR87R57	4P	2.7	576							486	7.9	1.10				GR67R37 GRF67R37	4P	0.86	1812	1530	13		0.90	GRF87R57	1.0	1549	1308	17	1.05	0.75	2065	1744	11	0.80	GR87R57 GRF87R57	4P			2.9	538			454	6.6	0.90	GR57R37 GRF57R37			4P	0.86	1812	1530		13	0.90	1.0	1549	1308	17	1.05	0.75	2065		1744	11	0.80	0.86	1812	1530	13	0.90	1.0	1549	1308	17	1.05	0.75	2065	1744	11	0.80	0.86	1812	1530			13	0.90	1.0					1549	1308	17								1.05	0.75	2065	1744	11			0.80	0.86	1812	1530	13	0.90	1.0	1549	1308	17	1.05																																																																																																																																																			
0.33	4640	3918	28	1.00	GR107R77 GRF107R77	4P	3.0		516	436			12	1.70																																																																																																																																																																																																																																																																																																																																																																																																																																																																																																																																						
0.39	3959	3343	31	1.15			0.43	3593	3034	32			1.25	0.49	3142	2653	33	1.45	0.57	2700	2280			34	1.70	0.63	2448	2067	35	1.85	0.66	2353	1987	35	1.95	GR107R77 GRF107R77	4P	3.5	442	373	12	2.00	0.72	2164	1827	35	2.10	0.82			1894	1599	35	2.40			0.94	1658	1400	35	2.75	1.1	1452	1226	36	3.15	0.49			3160	2668	20	1.00	GR107R77 GRF107R77	4P	4.0	387	327	12	2.25	0.58	2659	2245	23	1.20	0.65	2387	2016	24	1.35	0.76	2052					1733	25	1.55	0.81	1922	1623			26				1.65		0.91	1698	1434	26	1.85	1.1	1429	1207	27	2.20	1.2	1284	1084	27	2.45	1.4	1106	934	27	2.85	1.5	1040	878	27			3.05	1.7	894	755			27	3.55		0.48	3224		2722	19	1.00	GR97R57 GRF97R57	4P	4.5			342	289	12			2.55	0.57	2737	2311	23	1.15	0.63	2461	2078	24	1.30	0.75	2061	1740	10			0.80	0.88	1770	1495	15			0.95	GR97R57 GRF97R57	4P	2.3	676	571	6.9	0.95	GR67R37 GRF67R37	4P	0.94	1659	1401	16	1.00	1.1	1465	1237	17	1.10	1.1	1362			1150	18	1.20	1.3	1234			1042	18	1.35		1.4	1107	935	19	1.50	1.6		955	806	19	1.70	0.75	2065	1744	11	0.80	GR87R57	4P	2.7	576	486	7.9	1.10	GR67R37 GRF67R37	4P	0.86	1812	1530	13			0.90	GRF87R57	1.0	1549	1308	17						1.05	0.75		2065	1744							11	0.80	GR87R57 GRF87R57				4P		2.9	538	454	6.6		0.90	GR57R37 GRF57R37	4P	0.86	1812	1530	13	0.90	1.0	1549	1308	17			1.05	0.75	2065	1744			11	0.80	0.86	1812	1530	13		0.90	1.0	1549		1308	17	1.05	0.75	2065	1744	11	0.80	0.86	1812	1530	13	0.90	1.0	1549	1308	17	1.05	0.75	2065	1744	11	0.80	0.86	1812	1530	13	0.90	1.0	1549	1308			17	1.05																																																																																																																																																																																				
0.43	3593	3034	32	1.25			0.49	3142	2653	33			1.45	0.57	2700	2280	34	1.70	0.63	2448	2067			35	1.85	0.66	2353	1987	35	1.95	GR107R77 GRF107R77	4P	3.5	442	373			12	2.00	0.72	2164	1827	35	2.10	0.82	1894	1599	35	2.40	0.94	1658	1400	35	2.75			1.1	1452	1226	36	3.15	0.49	3160	2668	20	1.00	GR107R77 GRF107R77			4P	4.0	387	327			12	2.25	0.58	2659	2245	23	1.20	0.65	2387	2016	24	1.35	0.76	2052	1733	25	1.55					0.81	1922	1623	26	1.65	0.91			1698		1434		26	1.85	1.1	1429	1207	27	2.20	1.2	1284	1084	27	2.45	1.4	1106	934	27	2.85	1.5	1040	878	27	3.05	1.7	894	755	27			3.55	0.48	3224	2722			19	1.00		GR97R57 GRF97R57	4P		4.5	342	289			12			2.55	0.57	2737	2311	23	1.15	0.63	2461	2078	24	1.30	0.75	2061	1740	10	0.80	0.88	1770	1495	15			0.95	GR97R57 GRF97R57	4P	2.3	676	571	6.9	0.95			GR67R37 GRF67R37	4P	0.94	1659	1401	16		1.00	1.1	1465	1237	17	1.10	1.1	1362	1150	18	1.20	1.3			1234	1042	18	1.35	1.4			1107	935	19		1.50	1.6	955	806	19	1.70		0.75	2065	1744	11	0.80	GR87R57	4P	2.7	576	486		7.9	1.10	GR67R37 GRF67R37	4P	0.86	1812		1530	13	0.90	GRF87R57			1.0	1549	1308	17	1.05	0.75						2065	1744		11	0.80		GR87R57 GRF87R57	4P				2.9	538		454		6.6			0.90	GR57R37 GRF57R37	4P	0.86	1812	1530	13		0.90	1.0	1549	1308	17	1.05	0.75	2065	1744			11	0.80	0.86	1812			1530	13	0.90	1.0	1549	1308		17	1.05	0.75		2065	1744	11	0.80	0.86	1812	1530	13	0.90	1.0	1549	1308	17	1.05	0.75	2065	1744	11	0.80	0.86	1812	1530	13	0.90	1.0	1549	1308	17	1.05																																																																																																																																																																																										
0.49	3142	2653	33	1.45			0.57	2700	2280	34			1.70	0.63	2448	2067	35	1.85	0.66	2353	1987			35	1.95	GR107R77 GRF107R77	4P	3.5	442	373			12	2.00	0.72			2164	1827	35	2.10	0.82	1894	1599	35	2.40	0.94	1658	1400	35	2.75	1.1	1452	1226			36	3.15	0.49	3160	2668	20	1.00	GR107R77 GRF107R77	4P	4.0					387	327	12			2.25	0.58	2659	2245	23	1.20	0.65	2387	2016	24	1.35	0.76	2052	1733	25	1.55	0.81					1922	1623	26	1.65	0.91	1698	1434	26	1.85		1.1		1429	1207	27	2.20	1.2	1284	1084	27	2.45	1.4	1106	934	27	2.85	1.5	1040	878	27	3.05	1.7	894	755	27	3.55	0.48	3224			2722	19	1.00	GR97R57 GRF97R57			4P	4.5					342	289	12			2.55	0.57	2737	2311	23	1.15	0.63	2461	2078	24	1.30	0.75	2061	1740	10	0.80	0.88	1770	1495	15	0.95	GR97R57 GRF97R57	4P	2.3	676	571			6.9	0.95	GR67R37 GRF67R37	4P	0.94			1659		1401	16	1.00	1.1		1465	1237	17	1.10	1.1	1362	1150	18	1.20	1.3	1234	1042			18	1.35	1.4	1107	935			19	1.50	1.6		955	806	19	1.70	0.75	2065		1744	11	0.80	GR87R57	4P	2.7		576	486	7.9		1.10	GR67R37 GRF67R37	4P		0.86	1812		1530	13	0.90	GRF87R57			1.0	1549	1308	17	1.05	0.75						2065	1744	11	0.80	GR87R57 GRF87R57	4P			2.9			538	454		6.6	0.90	GR57R37 GRF57R37		4P	0.86	1812		1530	13	0.90	1.0		1549	1308	17	1.05	0.75	2065	1744	11	0.80			0.86	1812	1530	13			0.90	1.0	1549	1308	17	1.05		0.75	2065	1744		11	0.80	0.86	1812	1530	13	0.90	1.0	1549	1308	17	1.05	0.75	2065	1744	11	0.80	0.86	1812	1530	13	0.90	1.0	1549	1308	17	1.05																																																																																																																																																																																												
0.57	2700	2280	34	1.70			0.63	2448	2067	35			1.85	0.66	2353	1987	35	1.95	GR107R77 GRF107R77	4P	3.5	442	373	12	2.00			0.72	2164	1827			35	2.10	0.82			1894	1599	35	2.40	0.94	1658	1400	35	2.75	1.1	1452	1226	36	3.15	0.49	3160	2668			20	1.00	GR107R77 GRF107R77	4P	4.0	387	327			12					2.25	0.58	2659			2245	23	1.20	0.65	2387	2016	24	1.35	0.76	2052	1733	25	1.55	0.81	1922	1623	26			1.65	0.91	1698	1434	26	1.85	1.1	1429	1207	27	2.20		1.2		1284	1084	27	2.45	1.4	1106	934	27	2.85	1.5	1040	878	27	3.05	1.7	894	755	27	3.55	0.48	3224	2722	19	1.00	GR97R57 GRF97R57	4P			4.5	342	289					12	2.55			0.57	2737	2311	23			1.15	0.63	2461	2078	24	1.30	0.75	2061	1740	10	0.80	0.88	1770	1495	15	0.95	GR97R57 GRF97R57	4P	2.3	676	571			6.9	0.95	GR67R37 GRF67R37			4P	0.94	1659		1401			16		1.00	1.1	1465	1237		17	1.10	1.1	1362	1150	18	1.20	1.3	1234	1042	18	1.35			1.4	1107	935	19	1.50			1.6	955	806		19	1.70	0.75	2065	1744	11		0.80	GR87R57	4P	2.7		576		486	7.9	1.10		GR67R37 GRF67R37	4P			0.86	1812		1530	13	0.90	GRF87R57			1.0	1549	1308	17	1.05	0.75			2065	1744		11	0.80	GR87R57 GRF87R57	4P					2.9	538		454	6.6		0.90	GR57R37 GRF57R37	4P			0.86	1812		1530	13	0.90	1.0		1549	1308	17	1.05	0.75	2065	1744	11	0.80			0.86	1812	1530	13			0.90	1.0	1549	1308	17	1.05		0.75	2065	1744		11	0.80	0.86	1812	1530	13	0.90	1.0	1549	1308	17	1.05	0.75	2065	1744	11	0.80	0.86	1812	1530	13	0.90	1.0	1549	1308	17	1.05																																																																																																																																																																																												
0.63	2448	2067	35	1.85			0.66	2353	1987	35	1.95	GR107R77 GRF107R77	4P	3.5	442	373	12	2.00			0.72	2164	1827	35	2.10			0.82	1894	1599			35	2.40	0.94			1658	1400	35	2.75	1.1	1452	1226	36	3.15	0.49	3160	2668	20	1.00	GR107R77 GRF107R77	4P	4.0			387	327			12	2.25	0.58			2659					2245	23	1.20			0.65	2387	2016	24	1.35	0.76	2052	1733	25	1.55	0.81	1922	1623	26	1.65	0.91	1698			1434	26	1.85	1.1	1429	1207	27	2.20	1.2	1284	1084		27		2.45	1.4	1106	934	27	2.85	1.5	1040	878	27	3.05	1.7	894	755	27	3.55	0.48	3224	2722	19	1.00	GR97R57 GRF97R57	4P	4.5					342	289	12		2.55	0.57		2737	2311			23	1.15	0.63	2461	2078	24	1.30	0.75	2061	1740	10	0.80	0.88	1770	1495	15	0.95	GR97R57 GRF97R57	4P	2.3	676	571			6.9	0.95	GR67R37 GRF67R37			4P	0.94	1659				1401	16		1.00			1.1		1465	1237	17	1.10		1.1	1362	1150	18	1.20	1.3	1234	1042	18	1.35	1.4	1107			935	19	1.50	1.6	955			806	19	1.70		0.75	2065	1744	11	0.80	GR87R57		4P	2.7		576		486		7.9	1.10	GR67R37 GRF67R37	4P	0.86				1812	1530	13	0.90	GRF87R57	1.0	1549			1308	17	1.05	0.75	2065	1744	11	0.80	GR87R57 GRF87R57	4P		2.9	538							454	6.6	0.90	GR57R37 GRF57R37	4P		0.86	1812				1530	13		0.90	1.0	1549	1308		17	1.05	0.75	2065	1744	11	0.80	0.86	1812			1530	13	0.90	1.0			1549	1308	17	1.05	0.75	2065		1744	11	0.80		0.86	1812	1530	13	0.90	1.0	1549	1308	17	1.05	0.75	2065	1744	11	0.80	0.86	1812	1530	13	0.90	1.0	1549	1308	17	1.05																																																																																																																																																																																														
0.66	2353	1987	35	1.95	GR107R77 GRF107R77	4P	3.5	442	373	12	2.00																																																																																																																																																																																																																																																																																																																																																																																																																																																																																																																																									
0.72	2164	1827	35	2.10			0.82	1894	1599	35	2.40			0.94	1658	1400	35	2.75			1.1	1452	1226	36	3.15			0.49	3160	2668			20	1.00	GR107R77 GRF107R77			4P	4.0	387	327	12	2.25	0.58	2659	2245	23	1.20	0.65	2387	2016			24	1.35	0.76	2052	1733			25	1.55	0.81			1922		1623	26		1.65	0.91	1698			1434	26	1.85	1.1	1429	1207	27	2.20	1.2	1284	1084	27	2.45	1.4	1106	934	27			2.85	1.5	1040	878	27	3.05	1.7	894	755	27	3.55		0.48		3224	2722	19	1.00	GR97R57 GRF97R57	4P	4.5	342	289	12	2.55	0.57	2737	2311	23	1.15	0.63	2461	2078	24	1.30			0.75			2061	1740	10	0.80	0.88	1770	1495	15	0.95	GR97R57 GRF97R57	4P	2.3	676	571	6.9	0.95	GR67R37 GRF67R37	4P	0.94	1659	1401	16	1.00	1.1	1465	1237	17	1.10	1.1	1362			1150	18	1.20			1.3	1234	1042				18	1.35				1.4	1107		935			19		1.50	1.6	955	806		19	1.70	0.75	2065	1744	11	0.80	GR87R57	4P	2.7	576	486			7.9	1.10	GR67R37 GRF67R37	4P	0.86			1812	1530	13		0.90	GRF87R57	1.0	1549	1308	17			1.05		0.75	2065	1744	11	0.80	GR87R57 GRF87R57	4P		2.9		538	454	6.6	0.90	GR57R37 GRF57R37	4P	0.86	1812	1530	13	0.90	1.0	1549	1308	17	1.05	0.75	2065	1744			11	0.80	0.86							1812	1530	13	0.90			1.0	1549				1308	17		1.05	0.75	2065	1744		11	0.80	0.86	1812	1530	13	0.90	1.0	1549			1308	17	1.05	0.75			2065	1744	11	0.80	0.86	1812		1530	13	0.90		1.0	1549	1308	17	1.05																																																																																																																																																																																																																		
0.82	1894	1599	35	2.40			0.94	1658	1400	35	2.75			1.1	1452	1226	36	3.15			0.49	3160	2668	20	1.00			GR107R77 GRF107R77	4P	4.0			387	327					12	2.25	0.58	2659	2245	23	1.20	0.65	2387	2016	24	1.35	0.76			2052	1733	25	1.55	0.81			1922	1623	26			1.65		0.91	1698		1434	26	1.85			1.1	1429	1207	27	2.20	1.2	1284	1084	27	2.45	1.4	1106	934	27	2.85	1.5	1040			878	27	3.05	1.7	894	755	27	3.55	0.48	3224	2722	19	1.00	GR97R57 GRF97R57	4P	4.5	342	289			12	2.55	0.57	2737	2311	23	1.15	0.63	2461	2078	24	1.30	0.75	2061	1740			10	0.80	0.88	1770	1495	15	0.95	GR97R57 GRF97R57	4P	2.3	676	571			6.9	0.95	GR67R37 GRF67R37	4P	0.94	1659		1401	16	1.00	1.1	1465	1237	17	1.10	1.1	1362	1150	18			1.20	1.3	1234			1042	18	1.35				1.4	1107				935	19		1.50			1.6		955	806	19	1.70		0.75	2065	1744	11	0.80	GR87R57	4P	2.7		576	486	7.9			1.10	GR67R37 GRF67R37	4P		0.86	1812	1530	13	0.90	GRF87R57		1.0	1549	1308	17	1.05	0.75	2065		1744	11	0.80	GR87R57 GRF87R57	4P	2.9	538				454	6.6	0.90	GR57R37 GRF57R37	4P	0.86	1812		1530	13	0.90	1.0	1549	1308	17	1.05	0.75	2065	1744	11	0.80			0.86	1812	1530							13	0.90	1.0	1549			1308	17				1.05	0.75		2065	1744	11	0.80		0.86	1812	1530	13	0.90	1.0	1549	1308	17			1.05	0.75	2065	1744	11	0.80	0.86	1812	1530	13	0.90	1.0		1549	1308	17	1.05																																																																																																																																																																																																																							
0.94	1658	1400	35	2.75			1.1	1452	1226	36	3.15			0.49	3160	2668	20	1.00			GR107R77 GRF107R77	4P	4.0	387	327					12			2.25	0.58		2659	2245		23	1.20	0.65	2387	2016	24	1.35	0.76	2052	1733	25	1.55	0.81			1922	1623	26	1.65	0.91			1698	1434	26			1.85		1.1	1429		1207	27	2.20			1.2	1284	1084	27	2.45	1.4	1106	934	27	2.85	1.5	1040	878	27	3.05	1.7	894	755	27	3.55	0.48	3224	2722	19	1.00	GR97R57 GRF97R57	4P	4.5	342	289	12	2.55			0.57	2737	2311			23	1.15	0.63	2461	2078	24	1.30	0.75	2061	1740	10	0.80	0.88	1770	1495	15	0.95	GR97R57 GRF97R57	4P	2.3	676	571	6.9	0.95			GR67R37 GRF67R37	4P	0.94			1659	1401	16		1.00	1.1		1465	1237	17	1.10	1.1	1362	1150	18	1.20	1.3	1234	1042			18	1.35	1.4			1107	935	19				1.50	1.6				955	806		19			1.70		0.75	2065	1744	11		0.80	GR87R57	4P	2.7	576	486		7.9		1.10	GR67R37 GRF67R37	4P	0.86	1812	1530	13			0.90	GRF87R57	1.0	1549	1308	17	1.05	0.75	2065	1744	11	0.80	GR87R57 GRF87R57	4P	2.9	538	454	6.6			0.90	GR57R37 GRF57R37			4P	0.86	1812	1530	13		0.90	1.0		1549	1308	17	1.05	0.75	2065	1744	11	0.80	0.86	1812	1530	13			0.90	1.0	1549							1308	17	1.05	0.75			2065	1744				11	0.80		0.86	1812	1530	13		0.90	1.0	1549	1308	17	1.05	0.75	2065	1744	11	0.80	0.86	1812	1530	13	0.90	1.0	1549	1308	17	1.05																																																																																																																																																																																																																														
1.1	1452	1226	36	3.15			0.49	3160	2668	20	1.00			GR107R77 GRF107R77	4P	4.0	387	327					12	2.25	0.58					2659	2245	23	1.20	0.65		2387	2016		24	1.35	0.76	2052	1733	25	1.55	0.81	1922	1623	26	1.65	0.91			1698	1434	26	1.85	1.1			1429	1207	27			2.20		1.2	1284		1084	27	2.45			1.4	1106	934	27	2.85	1.5	1040	878	27	3.05	1.7	894	755	27	3.55	0.48	3224	2722	19	1.00	GR97R57 GRF97R57	4P	4.5	342	289			12	2.55	0.57	2737	2311			23	1.15	0.63			2461	2078	24	1.30	0.75	2061	1740	10	0.80	0.88	1770	1495	15	0.95	GR97R57 GRF97R57	4P	2.3			676	571	6.9	0.95	GR67R37 GRF67R37			4P		0.94			1659	1401	16		1.00	1.1		1465	1237	17	1.10	1.1	1362	1150	18	1.20	1.3	1234	1042			18	1.35	1.4			1107	935	19				1.50	1.6				955	806		19			1.70		0.75	2065	1744	11		0.80	GR87R57		4P	2.7	576		486		7.9	1.10		GR67R37 GRF67R37	4P	0.86	1812			1530	13	0.90	GRF87R57	1.0	1549	1308	17	1.05	0.75	2065	1744			11	0.80	GR87R57 GRF87R57	4P			2.9	538				454	6.6	0.90	GR57R37 GRF57R37		4P	0.86		1812	1530	13	0.90	1.0	1549	1308	17	1.05	0.75	2065	1744	11			0.80	0.86	1812							1530	13	0.90	1.0			1549	1308				17	1.05		0.75	2065	1744	11		0.80	0.86	1812	1530	13	0.90	1.0	1549	1308	17	1.05	0.75	2065	1744	11	0.80	0.86	1812	1530	13	0.90	1.0	1549	1308	17	1.05																																																																																																																																																																																																																									
0.49	3160	2668	20	1.00			GR107R77 GRF107R77	4P	4.0	387	327					12	2.25																																																																																																																																																																																																																																																																																																																																																																																																																																																																																																																																			
0.58	2659	2245	23	1.20					0.65	2387	2016					24	1.35	0.76	2052	1733			25	1.55	0.81	1922	1623			26	1.65	0.91	1698	1434		26	1.85		1.1	1429	1207	27	2.20	1.2	1284	1084	27	2.45	1.4	1106	934			27	2.85	1.5	1040	878			27	3.05	1.7			894	755	27	3.55	0.48	3224	2722	19	1.00	GR97R57 GRF97R57	4P	4.5	342	289	12	2.55	0.57	2737	2311	23	1.15	0.63	2461	2078	24	1.30	0.75	2061	1740	10			0.80	0.88	1770			1495	15	0.95	GR97R57 GRF97R57	4P	2.3	676	571	6.9	0.95	GR67R37 GRF67R37	4P	0.94	1659	1401	16	1.00	1.1	1465	1237	17	1.10	1.1	1362	1150	18			1.20			1.3	1234	1042	18	1.35					1.4			1107	935	19		1.50	1.6		955	806	19	1.70	0.75	2065	1744	11	0.80	GR87R57	4P	2.7			576	486	7.9			1.10	GR67R37 GRF67R37	4P				0.86	1812	1530	13		0.90	GRF87R57		1.0	1549	1308	17	1.05	0.75	2065	1744	11	0.80	GR87R57 GRF87R57	4P			2.9	538	454	6.6	0.90	GR57R37 GRF57R37	4P		0.86		1812	1530	13	0.90	1.0	1549	1308	17	1.05	0.75	2065	1744	11	0.80	0.86	1812			1530	13					0.90	1.0				1549	1308	17	1.05			0.75		2065	1744	11	0.80	0.86	1812	1530	13	0.90	1.0	1549	1308	17			1.05	0.75	2065					1744	11	0.80	0.86	1812	1530		13	0.90	1.0		1549		1308	17	1.05																																																																																																																																																																																																																																																								
0.65	2387	2016	24	1.35					0.76	2052	1733	25	1.55			0.81	1922	1623	26	1.65			0.91	1698	1434	26	1.85			1.1	1429	1207	27	2.20		1.2	1284		1084	27	2.45	1.4	1106	934	27	2.85	1.5	1040	878	27	3.05			1.7	894	755	27	3.55			0.48	3224	2722	19	1.00	GR97R57 GRF97R57	4P	4.5	342	289	12	2.55	0.57	2737			2311	23	1.15	0.63	2461	2078	24	1.30	0.75	2061	1740	10	0.80	0.88	1770	1495	15	0.95	GR97R57 GRF97R57			4P	2.3	676	571	6.9	0.95	GR67R37 GRF67R37	4P			0.94	1659	1401	16	1.00	1.1		1465	1237	17	1.10	1.1	1362	1150	18	1.20	1.3	1234	1042	18	1.35			1.4			1107	935	19	1.50	1.6					955			806	19	1.70		0.75	2065		1744	11	0.80	GR87R57	4P	2.7	576	486	7.9	1.10		GR67R37 GRF67R37			4P	0.86	1812			1530	13		0.90	GRF87R57		1.0	1549	1308	17		1.05	0.75	2065	1744	11	0.80	GR87R57 GRF87R57	4P	2.9	538	454	6.6	0.90			GR57R37 GRF57R37		4P	0.86	1812	1530	13	0.90		1.0	1549		1308	17	1.05	0.75	2065	1744	11	0.80	0.86	1812	1530	13	0.90	1.0	1549	1308			17	1.05					0.75	2065				1744	11	0.80	0.86			1812		1530	13	0.90	1.0	1549	1308	17	1.05	0.75	2065	1744	11	0.80			0.86	1812	1530			13	0.90	1.0	1549	1308	17	1.05																																																																																																																																																																																																																																																																			
0.76	2052	1733	25	1.55	0.81	1922			1623	26	1.65	0.91	1698			1434	26	1.85	1.1	1429			1207	27	2.20	1.2	1284			1084	27	2.45	1.4	1106		934	27		2.85	1.5	1040	878	27	3.05	1.7	894	755	27	3.55	0.48	3224			2722	19	1.00	GR97R57 GRF97R57	4P	4.5	342	289	12	2.55	0.57	2737			2311	23	1.15	0.63	2461	2078	24			1.30	0.75	2061	1740	10	0.80	0.88	1770	1495	15	0.95	GR97R57 GRF97R57	4P	2.3	676	571	6.9	0.95		GR67R37 GRF67R37	4P		0.94	1659	1401	16	1.00	1.1				1465	1237	17	1.10	1.1	1362		1150	18	1.20	1.3	1234	1042	18	1.35	1.4	1107	935	19	1.50	1.6			955			806	19	1.70	0.75	2065					1744			11	0.80	GR87R57		4P	2.7		576	486	7.9	1.10		GR67R37 GRF67R37	4P	0.86	1812	1530		13				0.90	GRF87R57	1.0	1549	1308	17		1.05	0.75		2065	1744	11	0.80	GR87R57 GRF87R57	4P	2.9	538	454	6.6	0.90			GR57R37 GRF57R37	4P	0.86	1812	1530			13	0.90		1.0	1549	1308	17	1.05		0.75	2065	1744	11	0.80	0.86	1812	1530	13	0.90	1.0	1549	1308	17	1.05	0.75	2065	1744	11			0.80	0.86					1812	1530				13	0.90	1.0	1549			1308		17	1.05	0.75	2065	1744	11	0.80	0.86	1812	1530	13	0.90	1.0			1549	1308	17	1.05																																																																																																																																																																																																																																																																											
0.81	1922	1623	26	1.65	0.91	1698			1434	26	1.85	1.1	1429			1207	27	2.20	1.2	1284			1084	27	2.45	1.4	1106			934	27	2.85	1.5	1040		878	27		3.05	1.7	894	755	27	3.55	0.48	3224	2722	19	1.00	GR97R57 GRF97R57	4P	4.5	342	289	12	2.55			0.57	2737	2311	23	1.15	0.63	2461			2078	24	1.30	0.75	2061	1740	10			0.80	0.88	1770	1495	15	0.95	GR97R57 GRF97R57	4P	2.3	676	571			6.9	0.95	GR67R37 GRF67R37	4P	0.94		1659			1401	16	1.00	1.1	1465	1237				17	1.10	1.1	1362	1150	18		1.20	1.3	1234	1042	18	1.35	1.4	1107	935	19	1.50	1.6	955	806			19			1.70	0.75	2065	1744	11					0.80			GR87R57	4P	2.7			576		486	7.9	1.10	GR67R37 GRF67R37		4P		0.86	1812	1530		13	0.90	GRF87R57		1.0	1549	1308	17	1.05	0.75		2065	1744	11	0.80	GR87R57 GRF87R57	4P	2.9			538	454	6.6	0.90	GR57R37 GRF57R37			4P		0.86	1812	1530			13	0.90		1.0	1549	1308	17	1.05		0.75	2065	1744	11	0.80	0.86	1812	1530	13	0.90	1.0	1549	1308	17	1.05	0.75	2065	1744	11			0.80	0.86					1812	1530				13	0.90	1.0	1549			1308		17	1.05	0.75	2065	1744	11	0.80	0.86	1812	1530	13	0.90	1.0	1549	1308	17	1.05																																																																																																																																																																																																																																																																													
0.91	1698	1434	26	1.85	1.1	1429			1207	27	2.20	1.2	1284			1084	27	2.45	1.4	1106			934	27	2.85	1.5	1040			878	27	3.05	1.7	894		755	27		3.55	0.48	3224	2722	19	1.00	GR97R57 GRF97R57	4P	4.5	342	289			12	2.55	0.57	2737	2311			23	1.15	0.63	2461	2078	24	1.30			0.75	2061	1740	10	0.80	0.88	1770	1495	15	0.95	GR97R57 GRF97R57	4P	2.3	676	571			6.9	0.95	GR67R37 GRF67R37			4P	0.94	1659		1401		16			1.00	1.1	1465	1237	17	1.10				1.1	1362	1150	18	1.20	1.3		1234	1042	18	1.35	1.4	1107	935	19	1.50	1.6	955	806	19	1.70			0.75			2065	1744	11	0.80	GR87R57					4P			2.7		576			486		7.9	1.10	GR67R37 GRF67R37	4P				0.86	1812	1530	13	0.90	GRF87R57	1.0		1549	1308	17	1.05	0.75	2065	1744	11	0.80	GR87R57 GRF87R57	4P			2.9			538	454	6.6	0.90	GR57R37 GRF57R37					4P	0.86	1812			1530	13		0.90	1.0	1549	1308	17		1.05	0.75	2065	1744	11	0.80	0.86	1812	1530	13	0.90	1.0	1549	1308	17	1.05	0.75	2065	1744			11	0.80					0.86	1812				1530	13	0.90	1.0			1549		1308	17	1.05	0.75	2065	1744	11	0.80	0.86	1812	1530	13	0.90	1.0	1549	1308	17	1.05																																																																																																																																																																																																																																																																												
1.1	1429	1207	27	2.20	1.2	1284			1084	27	2.45	1.4	1106			934	27	2.85	1.5	1040			878	27	3.05	1.7	894			755	27	3.55	0.48	3224	2722	19	1.00	GR97R57 GRF97R57	4P	4.5	342	289	12	2.55			0.57	2737	2311			23	1.15	0.63	2461	2078			24	1.30	0.75	2061	1740	10	0.80	0.88	1770	1495	15	0.95	GR97R57 GRF97R57	4P	2.3	676	571	6.9	0.95			GR67R37 GRF67R37	4P	0.94			1659	1401	16				1.00	1.1		1465		1237			17	1.10	1.1	1362	1150	18				1.20	1.3	1234	1042	18	1.35		1.4	1107	935	19	1.50	1.6	955	806	19	1.70	0.75	2065	1744	11			0.80			GR87R57	4P	2.7	576	486						7.9	1.10	GR67R37 GRF67R37		4P			0.86	1812	1530	13	0.90		GRF87R57			1.0	1549	1308	17	1.05	0.75	2065	1744	11	0.80	GR87R57 GRF87R57	4P	2.9	538	454	6.6	0.90					GR57R37 GRF57R37			4P	0.86	1812	1530	13						0.90	1.0			1549	1308		17	1.05	0.75	2065	1744		11	0.80	0.86	1812	1530	13	0.90	1.0	1549	1308	17	1.05	0.75	2065	1744	11	0.80	0.86	1812			1530	13					0.90	1.0	1549	1308		17	1.05	0.75	2065			1744	11	0.80	0.86	1812	1530	13	0.90	1.0	1549	1308	17	1.05																																																																																																																																																																																																																																																																																			
1.2	1284	1084	27	2.45	1.4	1106			934	27	2.85	1.5	1040			878	27	3.05	1.7	894			755	27	3.55	0.48	3224	2722	19	1.00	GR97R57 GRF97R57	4P	4.5	342	289	12	2.55			0.57	2737	2311	23	1.15			0.63	2461	2078			24	1.30	0.75	2061	1740	10	0.80	0.88	1770	1495	15	0.95	GR97R57 GRF97R57	4P	2.3	676	571	6.9	0.95			GR67R37 GRF67R37	4P	0.94	1659	1401			16		1.00			1.1	1465	1237				17	1.10		1.1		1362			1150	18	1.20	1.3	1234	1042				18	1.35	1.4	1107	935	19		1.50	1.6	955	806	19	1.70	0.75	2065	1744	11	0.80	GR87R57	4P	2.7			576			486		7.9	1.10	GR67R37 GRF67R37	4P	0.86				1812	1530	13			0.90	GRF87R57	1.0	1549	1308	17	1.05		0.75		2065	1744	11	0.80	GR87R57 GRF87R57	4P	2.9	538	454	6.6	0.90			GR57R37 GRF57R37	4P	0.86	1812	1530					13				0.90	1.0	1549	1308						17	1.05			0.75	2065		1744	11	0.80	0.86	1812		1530	13	0.90	1.0	1549	1308	17	1.05	0.75	2065	1744	11	0.80	0.86	1812	1530	13	0.90	1.0			1549	1308			17	1.05	0.75	2065	1744	11		0.80	0.86	1812	1530	13		0.90	1.0	1549	1308	17	1.05																																																																																																																																																																																																																																																																																										
1.4	1106	934	27	2.85	1.5	1040			878	27	3.05	1.7	894			755	27	3.55	0.48	3224	2722	19	1.00	GR97R57 GRF97R57	4P	4.5	342	289	12	2.55			0.57	2737	2311	23	1.15			0.63	2461	2078	24	1.30			0.75	2061	1740	10	0.80	0.88	1770	1495	15	0.95	GR97R57 GRF97R57	4P	2.3	676	571	6.9	0.95			GR67R37 GRF67R37	4P	0.94	1659	1401			16		1.00	1.1	1465			1237		17			1.10	1.1	1362				1150	18		1.20		1.3			1234	1042	18	1.35	1.4	1107				935	19	1.50	1.6	955	806		19	1.70	0.75	2065	1744	11	0.80	GR87R57	4P	2.7	576	486		7.9			1.10	GR67R37 GRF67R37	4P	0.86		1812	1530	13		0.90		GRF87R57		1.0	1549	1308	17		1.05	0.75	2065	1744	11	0.80	GR87R57 GRF87R57		4P	2.9	538	454	6.6	0.90			GR57R37 GRF57R37	4P	0.86	1812	1530			13		0.90	1.0	1549					1308				17	1.05	0.75	2065						1744	11			0.80	0.86		1812	1530	13	0.90	1.0		1549	1308	17	1.05	0.75	2065	1744	11	0.80	0.86	1812	1530	13	0.90	1.0	1549	1308	17	1.05	0.75	2065	1744	11			0.80	0.86	1812	1530	13	0.90	1.0	1549	1308	17	1.05																																																																																																																																																																																																																																																																																																		
1.5	1040	878	27	3.05	1.7	894			755	27	3.55	0.48	3224	2722	19	1.00	GR97R57 GRF97R57	4P	4.5	342	289	12	2.55			0.57	2737	2311	23	1.15			0.63	2461	2078	24	1.30			0.75	2061	1740	10	0.80	0.88	1770	1495	15	0.95	GR97R57 GRF97R57	4P	2.3	676	571	6.9	0.95			GR67R37 GRF67R37	4P	0.94	1659	1401			16		1.00	1.1	1465			1237		17	1.10	1.1			1362		1150			18	1.20	1.3				1234	1042		18		1.35			1.4	1107	935	19	1.50	1.6				955	806	19	1.70	0.75	2065		1744	11	0.80	GR87R57	4P	2.7	576	486		7.9	1.10	GR67R37 GRF67R37		4P	0.86	1812	1530	13		0.90		GRF87R57	1.0	1549		1308	17	1.05	0.75	2065	1744	11	0.80		GR87R57 GRF87R57	4P	2.9	538	454	6.6		0.90		GR57R37 GRF57R37	4P	0.86	1812	1530			13		0.90	1.0	1549			1308		17	1.05	0.75					2065				1744	11	0.80	0.86						1812	1530			13	0.90		1.0	1549	1308	17	1.05		0.75	2065	1744	11	0.80	0.86	1812	1530	13	0.90	1.0	1549	1308	17	1.05	0.75	2065	1744	11	0.80	0.86	1812	1530	13	0.90	1.0	1549	1308	17	1.05																																																																																																																																																																																																																																																																																																								
1.7	894	755	27	3.55	0.48	3224	2722	19	1.00	GR97R57 GRF97R57	4P	4.5	342	289	12	2.55			0.57	2737	2311	23	1.15			0.63	2461	2078	24	1.30			0.75	2061	1740	10	0.80	0.88	1770	1495	15	0.95	GR97R57 GRF97R57	4P	2.3	676	571	6.9	0.95			GR67R37 GRF67R37	4P	0.94	1659	1401			16		1.00	1.1	1465			1237		17	1.10	1.1			1362		1150	18	1.20			1.3		1234			1042	18	1.35				1.4	1107		935		19			1.50	1.6	955	806	19	1.70				0.75	2065	1744	11	0.80	GR87R57		4P	2.7	576	486		7.9	1.10	GR67R37 GRF67R37		4P	0.86	1812			1530	13	0.90	GRF87R57		1.0	1549	1308	17	1.05		0.75	2065	1744	11	0.80	GR87R57 GRF87R57	4P	2.9	538			454	6.6	0.90	GR57R37 GRF57R37		4P		0.86		1812	1530	13			0.90		1.0	1549	1308			17		1.05	0.75	2065					1744				11	0.80	0.86	1812						1530	13			0.90	1.0		1549	1308	17	1.05	0.75		2065	1744	11	0.80	0.86	1812	1530	13	0.90	1.0	1549	1308	17	1.05	0.75	2065	1744	11	0.80	0.86	1812	1530	13	0.90	1.0	1549	1308	17	1.05																																																																																																																																																																																																																																																																																																									
0.48	3224	2722	19	1.00	GR97R57 GRF97R57	4P	4.5	342	289			12	2.55																																																																																																																																																																																																																																																																																																																																																																																																																																																																																																																																							
0.57	2737	2311	23	1.15			0.63	2461	2078			24	1.30	0.75	2061	1740			10	0.80	0.88	1770	1495	15	0.95	GR97R57 GRF97R57	4P	2.3	676	571	6.9	0.95	GR67R37 GRF67R37	4P	0.94	1659	1401	16	1.00	1.1	1465	1237			17	1.10	1.1	1362	1150			18		1.20	1.3	1234			1042		18	1.35	1.4			1107		935	19	1.50			1.6		955	806	19			1.70		0.75			2065	1744	11				0.80	GR87R57		4P	2.7	576		486	7.9	1.10	GR67R37 GRF67R37	4P	0.86	1812	1530	13	0.90	GRF87R57	1.0	1549	1308	17	1.05	0.75		2065	1744	11		0.80	GR87R57 GRF87R57	4P	2.9		538	454	6.6		0.90	GR57R37 GRF57R37	4P	0.86	1812	1530	13	0.90	1.0	1549	1308	17	1.05	0.75	2065	1744			11	0.80			0.86	1812	1530	13				0.90		1.0	1549	1308			17		1.05	0.75	2065			1744		11	0.80	0.86					1812				1530	13	0.90	1.0	1549	1308				17	1.05	0.75	2065	1744	11	0.80	0.86	1812	1530	13	0.90	1.0	1549	1308	17	1.05																																																																																																																																																																																																																																																																																																																																		
0.63	2461	2078	24	1.30			0.75	2061	1740			10	0.80	0.88	1770	1495	15	0.95	GR97R57 GRF97R57	4P	2.3	676	571	6.9	0.95			GR67R37 GRF67R37	4P	0.94	1659	1401	16		1.00	1.1	1465	1237	17	1.10	1.1	1362			1150	18	1.20	1.3	1234			1042		18	1.35	1.4			1107		935	19	1.50			1.6		955	806	19			1.70		0.75	2065	1744			11		0.80			GR87R57	4P	2.7	576	486		7.9	1.10			GR67R37 GRF67R37	4P	0.86	1812	1530	13	0.90		GRF87R57	1.0	1549	1308	17	1.05	0.75	2065	1744	11	0.80	GR87R57 GRF87R57		4P	2.9	538	454	6.6			0.90		GR57R37 GRF57R37	4P	0.86	1812	1530	13		0.90	1.0	1549	1308	17	1.05	0.75	2065	1744	11	0.80	0.86	1812			1530	13			0.90	1.0	1549	1308				17		1.05	0.75	2065			1744		11	0.80	0.86			1812		1530	13	0.90					1.0	1549	1308		17	1.05	0.75	2065	1744	11		0.80		0.86	1812	1530	13	0.90	1.0	1549	1308	17	1.05																																																																																																																																																																																																																																																																																																																																									
0.75	2061	1740	10	0.80			0.88	1770	1495	15	0.95	GR97R57 GRF97R57	4P	2.3	676	571	6.9	0.95			GR67R37 GRF67R37	4P	0.94	1659	1401			16		1.00	1.1	1465	1237		17	1.10	1.1	1362	1150	18	1.20	1.3			1234	1042	18	1.35	1.4			1107		935	19	1.50			1.6		955	806	19			1.70		0.75	2065	1744			11		0.80	GR87R57	4P			2.7		576	486	7.9	1.10		GR67R37 GRF67R37	4P	0.86		1812	1530	13		0.90		GRF87R57	1.0	1549	1308	17		1.05	0.75	2065	1744	11	0.80	GR87R57 GRF87R57	4P	2.9	538	454		6.6		0.90	GR57R37 GRF57R37	4P	0.86			1812	1530	13		0.90	1.0	1549	1308		17	1.05	0.75	2065	1744	11	0.80	0.86	1812	1530	13	0.90	1.0			1549	1308			17	1.05	0.75	2065				1744		11	0.80	0.86			1812		1530	13	0.90			1.0		1549	1308	17			1.05	0.75	2065	1744	11		0.80	0.86	1812	1530	13	0.90	1.0	1549		1308	17	1.05																																																																																																																																																																																																																																																																																																																																																
0.88	1770	1495	15	0.95	GR97R57 GRF97R57	4P	2.3	676	571	6.9	0.95			GR67R37 GRF67R37	4P																																																																																																																																																																																																																																																																																																																																																																																																																																																																																																																																					
0.94	1659	1401	16	1.00			1.1	1465	1237	17	1.10			1.1		1362	1150	18			1.20		1.3	1234	1042			18		1.35	1.4	1107	935		19	1.50	1.6	955	806	19	1.70	0.75			2065	1744	11	0.80	GR87R57			4P		2.7	576	486			7.9		1.10	GR67R37 GRF67R37	4P			0.86		1812	1530	13	0.90	GRF87R57	1.0		1549	1308		17	1.05	0.75	2065	1744	11	0.80	GR87R57 GRF87R57		4P		2.9	538	454	6.6	0.90	GR57R37 GRF57R37	4P		0.86	1812	1530	13	0.90	1.0	1549	1308	17	1.05	0.75	2065			1744	11	0.80		0.86		1812	1530		13			0.90	1.0	1549		1308	17	1.05	0.75		2065	1744	11	0.80	0.86	1812	1530	13	0.90	1.0	1549	1308	17			1.05	0.75			2065	1744	11	0.80				0.86		1812	1530	13			0.90		1.0	1549	1308	17	1.05																																																																																																																																																																																																																																																																																																																																																																									
1.1	1465	1237	17	1.10			1.1	1362	1150	18	1.20			1.3		1234	1042	18			1.35		1.4	1107	935			19		1.50	1.6	955	806		19	1.70	0.75	2065	1744	11	0.80	GR87R57			4P	2.7	576	486	7.9					1.10	GR67R37 GRF67R37	4P			0.86		1812	1530		13	0.90	GRF87R57		1.0	1549	1308	17	1.05	0.75	2065	1744	11		0.80	GR87R57 GRF87R57	4P	2.9	538	454	6.6		0.90			GR57R37 GRF57R37	4P	0.86	1812	1530	13		0.90	1.0	1549	1308	17	1.05	0.75	2065	1744	11	0.80	0.86	1812			1530	13	0.90		1.0		1549	1308		17			1.05	0.75	2065		1744	11	0.80	0.86		1812	1530	13	0.90	1.0	1549	1308	17	1.05	0.75	2065	1744	11			0.80	0.86			1812	1530	13	0.90				1.0		1549	1308	17	1.05																																																																																																																																																																																																																																																																																																																																																																																	
1.1	1362	1150	18	1.20			1.3	1234	1042	18	1.35			1.4		1107	935	19			1.50		1.6	955	806			19		1.70	0.75	2065	1744		11	0.80	GR87R57	4P	2.7	576	486	7.9				1.10	GR67R37 GRF67R37	4P	0.86					1812	1530		13	0.90	GRF87R57		1.0	1549		1308	17	1.05	0.75	2065	1744	11	0.80	GR87R57 GRF87R57	4P	2.9	538	454	6.6	0.90			GR57R37 GRF57R37	4P	0.86	1812		1530		13	0.90		1.0	1549	1308	17		1.05	0.75	2065	1744	11	0.80	0.86	1812	1530	13	0.90	1.0	1549			1308	17	1.05		0.75		2065	1744		11			0.80	0.86	1812		1530	13	0.90	1.0		1549	1308	17	1.05	0.75	2065	1744	11	0.80	0.86	1812	1530	13			0.90	1.0			1549	1308	17	1.05																																																																																																																																																																																																																																																																																																																																																																																										
1.3	1234	1042	18	1.35			1.4	1107	935	19	1.50			1.6		955	806	19			1.70		0.75	2065	1744			11		0.80	GR87R57	4P	2.7		576	486	7.9		1.10	GR67R37 GRF67R37	4P	0.86				1812	1530		13	0.90	GRF87R57			1.0	1549		1308	17	1.05	0.75	2065	1744		11	0.80	GR87R57 GRF87R57	4P	2.9	538	454	6.6			0.90	GR57R37 GRF57R37	4P	0.86	1812			1530		13	0.90		1.0		1549	1308		17	1.05	0.75	2065		1744	11	0.80	0.86	1812	1530	13	0.90	1.0	1549	1308	17	1.05			0.75	2065	1744		11		0.80	0.86		1812			1530	13	0.90		1.0	1549	1308	17		1.05	0.75	2065	1744	11	0.80	0.86	1812	1530	13	0.90	1.0	1549			1308	17	1.05																																																																																																																																																																																																																																																																																																																																																																																															
1.4	1107	935	19	1.50			1.6	955	806	19	1.70			0.75		2065	1744	11			0.80		GR87R57	4P	2.7			576		486	7.9		1.10		GR67R37 GRF67R37	4P	0.86		1812	1530		13	0.90	GRF87R57		1.0	1549		1308	17	1.05	0.75	2065	1744	11		0.80	GR87R57 GRF87R57	4P	2.9	538	454	6.6	0.90	GR57R37 GRF57R37			4P	0.86	1812	1530			13	0.90		1.0	1549			1308		17	1.05		0.75		2065	1744		11	0.80	0.86	1812		1530	13	0.90	1.0	1549	1308	17	1.05	0.75	2065	1744	11	0.80			0.86	1812	1530		13		0.90	1.0		1549			1308	17	1.05		0.75	2065	1744	11		0.80	0.86	1812	1530	13	0.90	1.0	1549	1308	17	1.05																																																																																																																																																																																																																																																																																																																																																																																																						
1.6	955	806	19	1.70			0.75	2065	1744	11	0.80			GR87R57		4P	2.7	576			486		7.9		1.10			GR67R37 GRF67R37		4P	0.86		1812		1530		13		0.90	GRF87R57		1.0	1549	1308	17	1.05	0.75		2065	1744	11	0.80	GR87R57 GRF87R57	4P	2.9	538	454			6.6	0.90	GR57R37 GRF57R37	4P	0.86	1812				1530	13	0.90			1.0	1549		1308	17			1.05		0.75	2065		1744		11	0.80		0.86	1812	1530	13		0.90	1.0	1549	1308	17	1.05	0.75	2065	1744	11	0.80	0.86	1812			1530	13	0.90		1.0		1549	1308		17			1.05	0.75	2065		1744	11	0.80	0.86		1812	1530	13	0.90	1.0	1549	1308	17	1.05																																																																																																																																																																																																																																																																																																																																																																																																								
0.75	2065	1744	11	0.80			GR87R57	4P	2.7	576	486			7.9			1.10	GR67R37 GRF67R37			4P																																																																																																																																																																																																																																																																																																																																																																																																																																																																																																																															
0.86	1812	1530	13	0.90			GRF87R57		1.0	1549	1308			17			1.05	0.75	2065	1744			11		0.80	GR87R57 GRF87R57	4P	2.9	538		454	6.6	0.90	GR57R37 GRF57R37	4P		0.86	1812	1530	13	0.90	1.0	1549	1308	17	1.05	0.75	2065	1744	11	0.80	0.86			1812	1530	13			0.90	1.0	1549		1308	17				1.05	0.75	2065			1744	11		0.80	0.86			1812		1530	13		0.90		1.0	1549		1308	17	1.05	0.75		2065	1744	11	0.80	0.86	1812	1530	13	0.90	1.0	1549	1308	17			1.05																																																																																																																																																																																																																																																																																																																																																																																																																																					
1.0	1549	1308	17	1.05			0.75		2065	1744	11	0.80	GR87R57 GRF87R57	4P			2.9	538	454	6.6		0.90	GR57R37 GRF57R37	4P	0.86			1812	1530		13	0.90	1.0	1549		1308	17	1.05	0.75	2065	1744	11	0.80	0.86	1812	1530	13	0.90	1.0	1549	1308	17			1.05	0.75	2065			1744	11	0.80		0.86	1812				1530	13	0.90			1.0	1549		1308	17			1.05		0.75	2065		1744		11	0.80		0.86	1812	1530	13		0.90	1.0	1549	1308	17	1.05																																																																																																																																																																																																																																																																																																																																																																																																																																															
0.75	2065	1744	11	0.80	GR87R57 GRF87R57	4P	2.9		538	454	6.6	0.90			GR57R37 GRF57R37	4P																																																																																																																																																																																																																																																																																																																																																																																																																																																																																																																																				
0.86	1812	1530	13	0.90			1.0	1549	1308	17	1.05	0.75			2065		1744	11	0.80	0.86	1812	1530	13		0.90			1.0	1549	1308	17	1.05	0.75	2065		1744	11	0.80	0.86	1812	1530	13	0.90	1.0	1549	1308	17	1.05	0.75	2065	1744	11			0.80	0.86	1812			1530	13	0.90		1.0	1549				1308	17	1.05																																																																																																																																																																																																																																																																																																																																																																																																																																																																													
1.0	1549	1308	17	1.05			0.75	2065	1744	11	0.80	0.86			1812		1530	13	0.90	1.0	1549	1308	17		1.05			0.75	2065	1744	11	0.80	0.86	1812		1530	13	0.90	1.0	1549	1308	17	1.05	0.75	2065	1744	11	0.80	0.86	1812	1530	13			0.90	1.0	1549			1308	17	1.05																																																																																																																																																																																																																																																																																																																																																																																																																																																																																						
0.75	2065	1744	11	0.80			0.86	1812	1530	13	0.90	1.0			1549		1308	17	1.05	0.75	2065	1744	11		0.80			0.86	1812	1530	13	0.90	1.0	1549		1308	17	1.05	0.75	2065	1744	11	0.80	0.86	1812	1530	13	0.90	1.0	1549	1308	17			1.05																																																																																																																																																																																																																																																																																																																																																																																																																																																																																													
0.86	1812	1530	13	0.90			1.0	1549	1308	17	1.05	0.75			2065		1744	11	0.80	0.86	1812	1530	13		0.90			1.0	1549	1308	17	1.05	0.75	2065		1744	11	0.80	0.86	1812	1530	13	0.90	1.0	1549	1308	17	1.05																																																																																																																																																																																																																																																																																																																																																																																																																																																																																																				
1.0	1549	1308	17	1.05			0.75	2065	1744	11	0.80	0.86			1812		1530	13	0.90	1.0	1549	1308	17		1.05			0.75	2065	1744	11	0.80	0.86	1812		1530	13	0.90	1.0	1549	1308	17	1.05																																																																																																																																																																																																																																																																																																																																																																																																																																																																																																									
0.75	2065	1744	11	0.80			0.86	1812	1530	13	0.90	1.0			1549		1308	17	1.05	0.75	2065	1744	11		0.80			0.86	1812	1530	13	0.90	1.0	1549		1308	17	1.05																																																																																																																																																																																																																																																																																																																																																																																																																																																																																																														
0.86	1812	1530	13	0.90			1.0	1549	1308	17	1.05	0.75			2065		1744	11	0.80	0.86	1812	1530	13		0.90			1.0	1549	1308	17	1.05																																																																																																																																																																																																																																																																																																																																																																																																																																																																																																																				
1.0	1549	1308	17	1.05			0.75	2065	1744	11	0.80	0.86			1812		1530	13	0.90	1.0	1549	1308	17		1.05																																																																																																																																																																																																																																																																																																																																																																																																																																																																																																																											
0.75	2065	1744	11	0.80			0.86	1812	1530	13	0.90	1.0	1549	1308	17		1.05																																																																																																																																																																																																																																																																																																																																																																																																																																																																																																																																			
0.86	1812	1530	13	0.90	1.0	1549	1308	17	1.05																																																																																																																																																																																																																																																																																																																																																																																																																																																																																																																																											
1.0	1549	1308	17	1.05																																																																																																																																																																																																																																																																																																																																																																																																																																																																																																																																																

选型参数表
(恒功率)

Selection Table
(Constant Power)

n_a [r/min]	M_a [Nm]	i	F_{ra} [kN]	f_B	机型号 Type size	极数 Pole	n_a [r/min]	M_a [Nm]	i	F_{ra} [kN]	f_B	机型号 Type size	极数 Pole																																																																																																																																																																																																																																																																																																																																																																																																																																																																																																																																																																																																																																																																											
0.18kW							0.18kW																																																																																																																																																																																																																																																																																																																																																																																																																																																																																																																																																																																																																																																																																	
4.4	375	195.24	12	2.10	GR77 GRF77	6P	11	150	123.91	3.9	0.80	GR27 GRF27	4P																																																																																																																																																																																																																																																																																																																																																																																																																																																																																																																																																																																																																																																																											
5.1	320	166.59	12	2.50			5.8	280	145.67	12	2.80			6.1	266	138.39	12	3.00	7.0	233	121.42	12	3.40	6.7	243	195.24	12	3.20	GR77 GRF77	4P	12	127	105.49	4.0	0.95	7.9	208	166.59	12	3.80	14	110	90.96	4.1	1.10	9.0	182	145.67	12	4.30	15	102	84.78	4.1	1.20	9.5	173	138.39	12	4.60	18	89	74.11	4.2	1.35	4.3	384	199.81	8.9	1.50	GR67 GRF67	6P	19	84	69.47	4.2	1.45	4.6	354	184.07	9.1	1.65	21	74	61.3	4.1	1.65	5.4	304	158.14	9.3	1.90	23	67	55.87	4.0	1.80	6.2	264	137.67	10	2.20	27	58	48.17	3.8	2.10	6.6	248	128.97	10	2.30	29	54	44.9	3.8	2.20	7.5	219	113.94	10	2.70	33	47	39.25	3.6	2.50	8.0	203	105.83	10	2.90	36	44	36.79	3.6	2.70	8.9	184	95.91	10	3.20	40	39	32.47	3.4	3.10	9.9	165	86.11	10	3.50	46	35	28.78	3.3	3.50	11	142	74.17	10	4.10	54	30	24.47	3.1	4.10	12	134	69.75	10	4.30	46	34	28.37	3.3	3.50	6.6	249	199.81	10	2.30	GR67 GRF67	4P	50	31	26.09	3.2	3.80	7.1	229	184.07	10	2.50	59	27	22.32	3.1	4.50	8.3	197	158.14	10	2.90	68	23	19.35	2.9	5.20	9.5	172	137.67	10	3.30	72	22	18.08	2.9	5.50	10	161	128.97	10	3.60	84	19	15.63	2.7	6.40	11	142	113.94	10	4.00	99	16	13.28	2.6	7.50	12	132	105.83	10	4.30	16	99	81.64	1.0	0.80	4.5	359	186.89	7.0	1.20	GR17 GRF17	4P	19	85	70.39	1.3	0.95	4.9	331	172.17	7.1	1.30	20	79	65.61	1.7	1.00	5.7	284	147.92	7.3	1.55	23	69	57.35	2.2	1.15	6.6	247	128.77	7.4	1.75	24	65	53.76	2.4	1.20	7.0	232	120.63	7.4	1.90	28	57	47.44	2.3	1.40	7.0	233	186.89	7.4	1.85	30	53	44.18	2.3	1.50	7.6	215	172.17	7.4	2.00	34	47	24.8	2.2	1.70	8.9	184	147.92	7.5	2.30	36	44	36.2	2.2	1.80	10	161	128.77	7.5	2.70	41	39	31.94	2.1	2.00	11	150	120.63	7.5	2.90	46	34	28.32	2.1	2.30	12	133	106.58	7.5	3.20	54	29	24.07	2.0	2.70	13	123	98.99	7.6	3.50	34	46	24.8	2.2	1.70	15	112	89.71	7.6	3.80	37	43	23.15	2.2	1.85	7.4	220	176.88	5.5	1.30	GR57 GRF57	4P	43	37	19.71	2.1	2.20	8.0	203	162.94	5.5	1.40	52	30	24.8	2.0	2.60	9.4	175	139.99	5.6	1.65	57	28	23.15	2.0	2.80	11	152	121.87	5.7	1.90	66	24	19.71	1.9	3.30	11	142	114.17	5.7	2.00	77	21	16.99	1.8	3.80	13	126	100.86	5.7	2.30	83	19	15.84	1.8	4.10	14	117	93.68	5.8	2.50	95	17	13.84	1.7	4.70	15	106	84.90	5.8	2.70	101	16	12.98	1.7	5.00	17	95	76.23	5.8	3.00	114	14	11.45	1.6	5.40	6.9	238	123.66	2.9	0.80	129	12	10.15	1.6	5.80	8.1	202	105.28	4.6	0.95	152	10	8.63	1.5	6.40	9.4	174	90.77	4.9	1.10	174	9.1	7.55	1.4	5.70	10	163	84.61	5.0	1.20	186	8.5	7.04	1.4	6.00	10	163	134.82	5.0	1.15	213	7.4	6.15	1.3	6.80	11	149	123.66	5.1	1.25	227	7.0	5.76	1.3	7.10	12	127	105.28	5.3	1.45	257	6.1	5.09	1.3	7.70	14	110	90.77	5.4	1.70	290	5.4	4.51	1.2	8.10	15	102	84.61	5.5	1.80	342	4.6	3.83	1.1	9.00	18	89	73.96	5.5	2.10	268	5.9	10.15	1.2	12	19	84	69.33	5.6	2.20	315	5.0	8.63	1.2	13	21	74	61.18	5.6	2.50	360	4.4	7.55	1.1	12	23	67	55.76	5.6	2.80	386	4.1	7.04	1.1	13	27	58	48.08	5.7	3.20	442	3.6	6.15	1.1	14						472	3.3	5.76	1.0	15						534	3.0	5.09	1.0	16						603	2.6	4.51	1.0	17						710	2.2	3.83	0.9	19											
5.8	280	145.67	12	2.80			6.1	266	138.39	12	3.00			7.0	233	121.42	12	3.40	6.7	243	195.24	12	3.20	GR77 GRF77	4P	12	127	105.49			4.0	0.95	7.9	208	166.59	12	3.80	14	110	90.96	4.1	1.10	9.0	182	145.67	12	4.30	15	102	84.78	4.1	1.20	9.5	173	138.39	12	4.60	18	89	74.11	4.2	1.35	4.3	384	199.81	8.9	1.50	GR67 GRF67	6P	19			84	69.47	4.2	1.45	4.6	354	184.07	9.1	1.65	21	74	61.3	4.1	1.65	5.4	304	158.14	9.3	1.90	23	67	55.87	4.0	1.80	6.2	264	137.67	10	2.20	27	58	48.17	3.8	2.10	6.6	248	128.97	10	2.30	29	54	44.9	3.8	2.20	7.5	219	113.94	10	2.70	33	47	39.25	3.6	2.50	8.0	203	105.83	10	2.90	36	44	36.79	3.6	2.70	8.9	184	95.91	10	3.20	40	39	32.47	3.4	3.10	9.9	165	86.11	10	3.50	46	35	28.78	3.3	3.50	11	142	74.17	10	4.10	54	30	24.47	3.1	4.10	12	134	69.75	10	4.30	46	34	28.37	3.3	3.50	6.6	249	199.81	10	2.30	GR67 GRF67			4P	50	31	26.09	3.2	3.80	7.1	229	184.07	10	2.50	59	27	22.32	3.1	4.50	8.3	197	158.14	10	2.90	68	23	19.35	2.9	5.20	9.5	172	137.67	10	3.30	72	22	18.08	2.9	5.50	10	161	128.97	10	3.60	84	19	15.63	2.7	6.40	11	142	113.94	10	4.00	99	16	13.28	2.6	7.50	12	132	105.83	10	4.30	16	99	81.64	1.0	0.80	4.5	359	186.89	7.0			1.20	GR17 GRF17	4P	19	85	70.39	1.3	0.95	4.9	331	172.17	7.1	1.30	20	79	65.61	1.7	1.00	5.7	284	147.92	7.3	1.55	23	69	57.35	2.2	1.15	6.6	247	128.77	7.4	1.75	24	65	53.76	2.4	1.20	7.0	232	120.63	7.4	1.90	28	57	47.44	2.3	1.40	7.0	233	186.89	7.4	1.85	30	53	44.18	2.3	1.50	7.6	215	172.17	7.4	2.00	34	47	24.8	2.2	1.70	8.9	184	147.92	7.5	2.30	36	44	36.2	2.2	1.80	10	161	128.77	7.5	2.70	41	39	31.94	2.1	2.00	11	150	120.63	7.5	2.90	46	34	28.32	2.1	2.30	12	133	106.58	7.5	3.20	54	29	24.07	2.0	2.70	13	123	98.99	7.6	3.50	34	46	24.8	2.2	1.70	15	112	89.71	7.6	3.80	37	43	23.15	2.2	1.85	7.4	220			176.88	5.5	1.30	GR57 GRF57	4P	43	37	19.71	2.1	2.20	8.0	203	162.94	5.5	1.40	52	30	24.8	2.0	2.60	9.4	175	139.99	5.6	1.65	57	28	23.15	2.0	2.80	11	152	121.87	5.7	1.90	66	24	19.71	1.9	3.30	11	142	114.17	5.7	2.00	77	21	16.99	1.8	3.80	13	126	100.86	5.7	2.30	83	19	15.84	1.8	4.10	14	117	93.68	5.8	2.50	95	17	13.84	1.7	4.70	15	106	84.90	5.8	2.70	101	16	12.98	1.7	5.00	17	95	76.23	5.8	3.00	114	14	11.45	1.6	5.40	6.9	238	123.66	2.9	0.80	129	12	10.15	1.6	5.80	8.1	202	105.28	4.6	0.95	152	10	8.63	1.5	6.40	9.4	174	90.77	4.9	1.10	174	9.1	7.55	1.4	5.70	10	163	84.61	5.0	1.20	186	8.5	7.04	1.4	6.00	10	163	134.82	5.0	1.15	213	7.4	6.15	1.3	6.80	11	149	123.66	5.1	1.25	227	7.0	5.76	1.3	7.10	12	127	105.28	5.3	1.45	257	6.1	5.09	1.3	7.70	14	110	90.77	5.4	1.70	290	5.4	4.51	1.2	8.10	15	102	84.61	5.5	1.80	342	4.6	3.83	1.1	9.00	18	89	73.96	5.5	2.10	268	5.9	10.15	1.2	12	19	84	69.33	5.6	2.20	315	5.0	8.63	1.2	13	21	74	61.18	5.6	2.50	360	4.4	7.55	1.1	12	23	67	55.76	5.6	2.80	386	4.1	7.04	1.1	13	27	58	48.08	5.7	3.20	442	3.6	6.15	1.1	14						472	3.3	5.76	1.0	15						534	3.0	5.09	1.0	16						603	2.6	4.51	1.0	17						710	2.2	3.83	0.9	19						
6.1	266	138.39	12	3.00			7.0	233	121.42	12	3.40			6.7	243	195.24	12	3.20	GR77 GRF77	4P	12	127	105.49			4.0	0.95	7.9			208	166.59	12	3.80	14	110	90.96	4.1	1.10	9.0	182	145.67	12	4.30	15	102	84.78	4.1	1.20	9.5	173	138.39	12	4.60	18	89	74.11	4.2	1.35	4.3	384	199.81	8.9	1.50	GR67 GRF67	6P	19			84			69.47	4.2	1.45	4.6	354	184.07	9.1	1.65	21	74	61.3	4.1	1.65	5.4	304	158.14	9.3	1.90	23	67	55.87	4.0	1.80	6.2	264	137.67	10	2.20	27	58	48.17	3.8	2.10	6.6	248	128.97	10	2.30	29	54	44.9	3.8	2.20	7.5	219	113.94	10	2.70	33	47	39.25	3.6	2.50	8.0	203	105.83	10	2.90	36	44	36.79	3.6	2.70	8.9	184	95.91	10	3.20	40	39	32.47	3.4	3.10	9.9	165	86.11	10	3.50	46	35	28.78	3.3	3.50	11	142	74.17	10	4.10	54	30	24.47	3.1	4.10	12	134	69.75	10	4.30	46	34	28.37	3.3	3.50	6.6	249	199.81	10	2.30	GR67 GRF67					4P	50	31	26.09	3.2	3.80	7.1	229	184.07	10	2.50	59	27	22.32	3.1	4.50	8.3	197	158.14	10	2.90	68	23	19.35	2.9	5.20	9.5	172	137.67	10	3.30	72	22	18.08	2.9	5.50	10	161	128.97	10	3.60	84	19	15.63	2.7	6.40	11	142	113.94	10	4.00	99	16	13.28	2.6	7.50	12	132	105.83	10	4.30	16	99	81.64	1.0	0.80	4.5	359	186.89			7.0			1.20	GR17 GRF17	4P	19	85	70.39	1.3	0.95	4.9	331	172.17	7.1	1.30	20	79	65.61	1.7	1.00	5.7	284	147.92	7.3	1.55	23	69	57.35	2.2	1.15	6.6	247	128.77	7.4	1.75	24	65	53.76	2.4	1.20	7.0	232	120.63	7.4	1.90	28	57	47.44	2.3	1.40	7.0	233	186.89	7.4	1.85	30	53	44.18	2.3	1.50	7.6	215	172.17	7.4	2.00	34	47	24.8	2.2	1.70	8.9	184	147.92	7.5	2.30	36	44	36.2	2.2	1.80	10	161	128.77	7.5	2.70	41	39	31.94	2.1	2.00	11	150	120.63	7.5	2.90	46	34	28.32	2.1	2.30	12	133	106.58	7.5	3.20	54	29	24.07	2.0	2.70	13	123	98.99	7.6	3.50	34	46	24.8	2.2	1.70	15	112	89.71	7.6	3.80	37	43	23.15	2.2			1.85	7.4	220			176.88	5.5	1.30	GR57 GRF57	4P	43	37	19.71	2.1	2.20	8.0	203	162.94	5.5	1.40	52	30	24.8	2.0	2.60	9.4	175	139.99	5.6	1.65	57	28	23.15	2.0	2.80	11	152	121.87	5.7	1.90	66	24	19.71	1.9	3.30	11	142	114.17	5.7	2.00	77	21	16.99	1.8	3.80	13	126	100.86	5.7	2.30	83	19	15.84	1.8	4.10	14	117	93.68	5.8	2.50	95	17	13.84	1.7	4.70	15	106	84.90	5.8	2.70	101	16	12.98	1.7	5.00	17	95	76.23	5.8	3.00	114	14	11.45	1.6	5.40	6.9	238	123.66	2.9	0.80	129	12	10.15	1.6	5.80	8.1	202	105.28	4.6	0.95	152	10	8.63	1.5	6.40	9.4	174	90.77	4.9	1.10	174	9.1	7.55	1.4	5.70	10	163	84.61	5.0	1.20	186	8.5	7.04	1.4	6.00	10	163	134.82	5.0	1.15	213	7.4	6.15	1.3	6.80	11	149	123.66	5.1	1.25	227	7.0	5.76	1.3	7.10	12	127	105.28	5.3	1.45	257	6.1	5.09	1.3	7.70	14	110	90.77	5.4	1.70	290	5.4	4.51	1.2	8.10	15	102	84.61	5.5	1.80	342	4.6	3.83	1.1	9.00	18	89	73.96	5.5	2.10	268	5.9	10.15	1.2	12	19	84	69.33	5.6	2.20	315	5.0	8.63	1.2	13	21	74	61.18	5.6	2.50	360	4.4	7.55	1.1	12	23	67	55.76	5.6	2.80	386	4.1	7.04	1.1	13	27	58	48.08	5.7	3.20	442	3.6	6.15	1.1	14						472	3.3	5.76	1.0	15						534	3.0	5.09	1.0	16						603	2.6	4.51	1.0	17						710	2.2	3.83	0.9	19	
7.0	233	121.42	12	3.40			6.7	243	195.24	12	3.20			GR77 GRF77	4P	12	127	105.49			4.0	0.95	7.9			208	166.59	12			3.80	14	110	90.96	4.1	1.10	9.0	182	145.67	12	4.30	15	102	84.78	4.1	1.20	9.5	173	138.39	12	4.60	18	89	74.11	4.2	1.35	4.3	384	199.81	8.9	1.50	GR67 GRF67	6P	19			84			69.47			4.2	1.45	4.6	354	184.07	9.1	1.65	21	74	61.3	4.1	1.65	5.4	304	158.14	9.3	1.90	23	67	55.87	4.0	1.80	6.2	264	137.67	10	2.20	27	58	48.17	3.8	2.10	6.6	248	128.97	10	2.30	29	54	44.9	3.8	2.20	7.5	219	113.94	10	2.70	33	47	39.25	3.6	2.50	8.0	203	105.83	10	2.90	36	44	36.79	3.6	2.70	8.9	184	95.91	10	3.20	40	39	32.47	3.4	3.10	9.9	165	86.11	10	3.50	46	35	28.78	3.3	3.50	11	142	74.17	10	4.10	54	30	24.47	3.1	4.10	12	134	69.75	10	4.30	46	34	28.37	3.3	3.50	6.6	249	199.81	10	2.30	GR67 GRF67							4P	50	31	26.09	3.2	3.80	7.1	229	184.07	10	2.50	59	27	22.32	3.1	4.50	8.3	197	158.14	10	2.90	68	23	19.35	2.9	5.20	9.5	172	137.67	10	3.30	72	22	18.08	2.9	5.50	10	161	128.97	10	3.60	84	19	15.63	2.7	6.40	11	142	113.94	10	4.00	99	16	13.28	2.6	7.50	12	132	105.83	10	4.30	16	99	81.64	1.0	0.80	4.5	359			186.89			7.0			1.20	GR17 GRF17	4P	19	85	70.39	1.3	0.95	4.9	331	172.17	7.1	1.30	20	79	65.61	1.7	1.00	5.7	284	147.92	7.3	1.55	23	69	57.35	2.2	1.15	6.6	247	128.77	7.4	1.75	24	65	53.76	2.4	1.20	7.0	232	120.63	7.4	1.90	28	57	47.44	2.3	1.40	7.0	233	186.89	7.4	1.85	30	53	44.18	2.3	1.50	7.6	215	172.17	7.4	2.00	34	47	24.8	2.2	1.70	8.9	184	147.92	7.5	2.30	36	44	36.2	2.2	1.80	10	161	128.77	7.5	2.70	41	39	31.94	2.1	2.00	11	150	120.63	7.5	2.90	46	34	28.32	2.1	2.30	12	133	106.58	7.5	3.20	54	29	24.07	2.0	2.70	13	123	98.99	7.6	3.50	34	46	24.8	2.2	1.70	15	112	89.71	7.6	3.80	37			43	23.15	2.2			1.85	7.4	220			176.88	5.5	1.30	GR57 GRF57	4P	43	37	19.71	2.1	2.20	8.0	203	162.94	5.5	1.40	52	30	24.8	2.0	2.60	9.4	175	139.99	5.6	1.65	57	28	23.15	2.0	2.80	11	152	121.87	5.7	1.90	66	24	19.71	1.9	3.30	11	142	114.17	5.7	2.00	77	21	16.99	1.8	3.80	13	126	100.86	5.7	2.30	83	19	15.84	1.8	4.10	14	117	93.68	5.8	2.50	95	17	13.84	1.7	4.70	15	106	84.90	5.8	2.70	101	16	12.98	1.7	5.00	17	95	76.23	5.8	3.00	114	14	11.45	1.6	5.40	6.9	238	123.66	2.9	0.80	129	12	10.15	1.6	5.80	8.1	202	105.28	4.6	0.95	152	10	8.63	1.5	6.40	9.4	174	90.77	4.9	1.10	174	9.1	7.55	1.4	5.70	10	163	84.61	5.0	1.20	186	8.5	7.04	1.4	6.00	10	163	134.82	5.0	1.15	213	7.4	6.15	1.3	6.80	11	149	123.66	5.1	1.25	227	7.0	5.76	1.3	7.10	12	127	105.28	5.3	1.45	257	6.1	5.09	1.3	7.70	14	110	90.77	5.4	1.70	290	5.4	4.51	1.2	8.10	15	102	84.61	5.5	1.80	342	4.6	3.83	1.1	9.00	18	89	73.96	5.5	2.10	268	5.9	10.15	1.2	12	19	84	69.33	5.6	2.20	315	5.0	8.63	1.2	13	21	74	61.18	5.6	2.50	360	4.4	7.55	1.1	12	23	67	55.76	5.6	2.80	386	4.1	7.04	1.1	13	27	58	48.08	5.7	3.20	442	3.6	6.15	1.1	14						472	3.3	5.76	1.0	15						534	3.0	5.09	1.0	16						603	2.6	4.51	1.0	17						710
6.7	243	195.24	12	3.20	GR77 GRF77	4P	12	127	105.49	4.0	0.95																																																																																																																																																																																																																																																																																																																																																																																																																																																																																																																																																																																																																																																																													
7.9	208	166.59	12	3.80			14	110	90.96	4.1	1.10																																																																																																																																																																																																																																																																																																																																																																																																																																																																																																																																																																																																																																																																													
9.0	182	145.67	12	4.30			15	102	84.78	4.1	1.20																																																																																																																																																																																																																																																																																																																																																																																																																																																																																																																																																																																																																																																																													
9.5	173	138.39	12	4.60			18	89	74.11	4.2	1.35																																																																																																																																																																																																																																																																																																																																																																																																																																																																																																																																																																																																																																																																													
4.3	384	199.81	8.9	1.50	GR67 GRF67	6P	19	84	69.47	4.2	1.45																																																																																																																																																																																																																																																																																																																																																																																																																																																																																																																																																																																																																																																																													
4.6	354	184.07	9.1	1.65			21	74	61.3	4.1	1.65																																																																																																																																																																																																																																																																																																																																																																																																																																																																																																																																																																																																																																																																													
5.4	304	158.14	9.3	1.90			23	67	55.87	4.0	1.80																																																																																																																																																																																																																																																																																																																																																																																																																																																																																																																																																																																																																																																																													
6.2	264	137.67	10	2.20			27	58	48.17	3.8	2.10																																																																																																																																																																																																																																																																																																																																																																																																																																																																																																																																																																																																																																																																													
6.6	248	128.97	10	2.30			29	54	44.9	3.8	2.20																																																																																																																																																																																																																																																																																																																																																																																																																																																																																																																																																																																																																																																																													
7.5	219	113.94	10	2.70			33	47	39.25	3.6	2.50																																																																																																																																																																																																																																																																																																																																																																																																																																																																																																																																																																																																																																																																													
8.0	203	105.83	10	2.90			36	44	36.79	3.6	2.70																																																																																																																																																																																																																																																																																																																																																																																																																																																																																																																																																																																																																																																																													
8.9	184	95.91	10	3.20			40	39	32.47	3.4	3.10																																																																																																																																																																																																																																																																																																																																																																																																																																																																																																																																																																																																																																																																													
9.9	165	86.11	10	3.50			46	35	28.78	3.3	3.50																																																																																																																																																																																																																																																																																																																																																																																																																																																																																																																																																																																																																																																																													
11	142	74.17	10	4.10			54	30	24.47	3.1	4.10																																																																																																																																																																																																																																																																																																																																																																																																																																																																																																																																																																																																																																																																													
12	134	69.75	10	4.30			46	34	28.37	3.3	3.50																																																																																																																																																																																																																																																																																																																																																																																																																																																																																																																																																																																																																																																																													
6.6	249	199.81	10	2.30			GR67 GRF67	4P	50	31	26.09	3.2	3.80																																																																																																																																																																																																																																																																																																																																																																																																																																																																																																																																																																																																																																																																											
7.1	229	184.07	10	2.50	59	27			22.32	3.1	4.50																																																																																																																																																																																																																																																																																																																																																																																																																																																																																																																																																																																																																																																																													
8.3	197	158.14	10	2.90	68	23			19.35	2.9	5.20																																																																																																																																																																																																																																																																																																																																																																																																																																																																																																																																																																																																																																																																													
9.5	172	137.67	10	3.30	72	22			18.08	2.9	5.50																																																																																																																																																																																																																																																																																																																																																																																																																																																																																																																																																																																																																																																																													
10	161	128.97	10	3.60	84	19			15.63	2.7	6.40																																																																																																																																																																																																																																																																																																																																																																																																																																																																																																																																																																																																																																																																													
11	142	113.94	10	4.00	99	16			13.28	2.6	7.50																																																																																																																																																																																																																																																																																																																																																																																																																																																																																																																																																																																																																																																																													
12	132	105.83	10	4.30	16	99			81.64	1.0	0.80																																																																																																																																																																																																																																																																																																																																																																																																																																																																																																																																																																																																																																																																													
4.5	359	186.89	7.0	1.20	GR17 GRF17	4P			19	85	70.39	1.3	0.95																																																																																																																																																																																																																																																																																																																																																																																																																																																																																																																																																																																																																																																																											
4.9	331	172.17	7.1	1.30					20	79	65.61	1.7	1.00																																																																																																																																																																																																																																																																																																																																																																																																																																																																																																																																																																																																																																																																											
5.7	284	147.92	7.3	1.55					23	69	57.35	2.2	1.15																																																																																																																																																																																																																																																																																																																																																																																																																																																																																																																																																																																																																																																																											
6.6	247	128.77	7.4	1.75			24	65	53.76	2.4	1.20																																																																																																																																																																																																																																																																																																																																																																																																																																																																																																																																																																																																																																																																													
7.0	232	120.63	7.4	1.90			28	57	47.44	2.3	1.40																																																																																																																																																																																																																																																																																																																																																																																																																																																																																																																																																																																																																																																																													
7.0	233	186.89	7.4	1.85			30	53	44.18	2.3	1.50																																																																																																																																																																																																																																																																																																																																																																																																																																																																																																																																																																																																																																																																													
7.6	215	172.17	7.4	2.00			34	47	24.8	2.2	1.70																																																																																																																																																																																																																																																																																																																																																																																																																																																																																																																																																																																																																																																																													
8.9	184	147.92	7.5	2.30			36	44	36.2	2.2	1.80																																																																																																																																																																																																																																																																																																																																																																																																																																																																																																																																																																																																																																																																													
10	161	128.77	7.5	2.70			41	39	31.94	2.1	2.00																																																																																																																																																																																																																																																																																																																																																																																																																																																																																																																																																																																																																																																																													
11	150	120.63	7.5	2.90			46	34	28.32	2.1	2.30																																																																																																																																																																																																																																																																																																																																																																																																																																																																																																																																																																																																																																																																													
12	133	106.58	7.5	3.20	54	29	24.07	2.0	2.70																																																																																																																																																																																																																																																																																																																																																																																																																																																																																																																																																																																																																																																																															
13	123	98.99	7.6	3.50	34	46	24.8	2.2	1.70																																																																																																																																																																																																																																																																																																																																																																																																																																																																																																																																																																																																																																																																															
15	112	89.71	7.6	3.80	37	43	23.15	2.2	1.85																																																																																																																																																																																																																																																																																																																																																																																																																																																																																																																																																																																																																																																																															
7.4	220	176.88	5.5	1.30	GR57 GRF57	4P	43	37	19.71	2.1	2.20																																																																																																																																																																																																																																																																																																																																																																																																																																																																																																																																																																																																																																																																													
8.0	203	162.94	5.5	1.40			52	30	24.8	2.0	2.60																																																																																																																																																																																																																																																																																																																																																																																																																																																																																																																																																																																																																																																																													
9.4	175	139.99	5.6	1.65			57	28	23.15	2.0	2.80																																																																																																																																																																																																																																																																																																																																																																																																																																																																																																																																																																																																																																																																													
11	152	121.87	5.7	1.90			66	24	19.71	1.9	3.30																																																																																																																																																																																																																																																																																																																																																																																																																																																																																																																																																																																																																																																																													
11	142	114.17	5.7	2.00			77	21	16.99	1.8	3.80																																																																																																																																																																																																																																																																																																																																																																																																																																																																																																																																																																																																																																																																													
13	126	100.86	5.7	2.30			83	19	15.84	1.8	4.10																																																																																																																																																																																																																																																																																																																																																																																																																																																																																																																																																																																																																																																																													
14	117	93.68	5.8	2.50			95	17	13.84	1.7	4.70																																																																																																																																																																																																																																																																																																																																																																																																																																																																																																																																																																																																																																																																													
15	106	84.90	5.8	2.70			101	16	12.98	1.7	5.00																																																																																																																																																																																																																																																																																																																																																																																																																																																																																																																																																																																																																																																																													
17	95	76.23	5.8	3.00			114	14	11.45	1.6	5.40																																																																																																																																																																																																																																																																																																																																																																																																																																																																																																																																																																																																																																																																													
6.9	238	123.66	2.9	0.80			129	12	10.15	1.6	5.80																																																																																																																																																																																																																																																																																																																																																																																																																																																																																																																																																																																																																																																																													
8.1	202	105.28	4.6	0.95	152	10	8.63	1.5	6.40																																																																																																																																																																																																																																																																																																																																																																																																																																																																																																																																																																																																																																																																															
9.4	174	90.77	4.9	1.10	174	9.1	7.55	1.4	5.70																																																																																																																																																																																																																																																																																																																																																																																																																																																																																																																																																																																																																																																																															
10	163	84.61	5.0	1.20	186	8.5	7.04	1.4	6.00																																																																																																																																																																																																																																																																																																																																																																																																																																																																																																																																																																																																																																																																															
10	163	134.82	5.0	1.15	213	7.4	6.15	1.3	6.80																																																																																																																																																																																																																																																																																																																																																																																																																																																																																																																																																																																																																																																																															
11	149	123.66	5.1	1.25	227	7.0	5.76	1.3	7.10																																																																																																																																																																																																																																																																																																																																																																																																																																																																																																																																																																																																																																																																															
12	127	105.28	5.3	1.45	257	6.1	5.09	1.3	7.70																																																																																																																																																																																																																																																																																																																																																																																																																																																																																																																																																																																																																																																																															
14	110	90.77	5.4	1.70	290	5.4	4.51	1.2	8.10																																																																																																																																																																																																																																																																																																																																																																																																																																																																																																																																																																																																																																																																															
15	102	84.61	5.5	1.80	342	4.6	3.83	1.1	9.00																																																																																																																																																																																																																																																																																																																																																																																																																																																																																																																																																																																																																																																																															
18	89	73.96	5.5	2.10	268	5.9	10.15	1.2	12																																																																																																																																																																																																																																																																																																																																																																																																																																																																																																																																																																																																																																																																															
19	84	69.33	5.6	2.20	315	5.0	8.63	1.2	13																																																																																																																																																																																																																																																																																																																																																																																																																																																																																																																																																																																																																																																																															
21	74	61.18	5.6	2.50	360	4.4	7.55	1.1	12																																																																																																																																																																																																																																																																																																																																																																																																																																																																																																																																																																																																																																																																															
23	67	55.76	5.6	2.80	386	4.1	7.04	1.1	13																																																																																																																																																																																																																																																																																																																																																																																																																																																																																																																																																																																																																																																																															
27	58	48.08	5.7	3.20	442	3.6	6.15	1.1	14																																																																																																																																																																																																																																																																																																																																																																																																																																																																																																																																																																																																																																																																															
					472	3.3	5.76	1.0	15																																																																																																																																																																																																																																																																																																																																																																																																																																																																																																																																																																																																																																																																															
					534	3.0	5.09	1.0	16																																																																																																																																																																																																																																																																																																																																																																																																																																																																																																																																																																																																																																																																															
					603	2.6	4.51	1.0	17																																																																																																																																																																																																																																																																																																																																																																																																																																																																																																																																																																																																																																																																															
					710	2.2	3.83	0.9	19																																																																																																																																																																																																																																																																																																																																																																																																																																																																																																																																																																																																																																																																															

选型参数表
(恒功率)

Selection Table
(Constant Power)

n_a [r/min]	M_a [Nm]	i	F_{ra} [kN]	f_B	机型号 Type size	极数 Pole	n_a [r/min]	M_a [Nm]	i	F_{ra} [kN]	f_B	机型号 Type size	极数 Pole																																																																																																																																																																																																																																																																																																																																																																																																																																																
0.18kW							0.25kW																																																																																																																																																																																																																																																																																																																																																																																																																																																						
140	12	6.07	4.7	3.60	GRX67 GRXF67	6P	0.95	2268	1400	35	2.00	GR107R77 GRF107R77	4P																																																																																																																																																																																																																																																																																																																																																																																																																																																
164	10	5.18	4.5	7.30			188	8.9	4.53	4.3	9.20			198	8.5	4.30	4.2	9.40	216	7.5	6.07	4.1	5.40	GRX67 GRXF67	4P	0.66	3266	2016	12	0.95	GR97R57 GRF97R57	4P	253	6.4	5.18	3.9	11	289	5.6	4.53	3.7	14	305	5.3	4.30	3.7	14	347	4.7	3.77	3.5	18	409	4.0	3.20	3.3	24	453	3.6	2.89	3.2	28	516	3.1	2.54	3.1	36	546	3.0	2.40	3.0	40	642	2.5	2.04	2.9	50	155	11	5.50	3.7	3.60	GRX57 GRXF57	6P	0.77	2808	1733	21	1.10	GR87R57 GRF87R57	4P	168	10	5.07	3.6	3.60	195	8.6	4.35	3.4	7.90	224	7.5	3.79	3.3	9.20	238	6.8	5.50	3.2	5.40	GRX57 GRXF57	4P	1.2	1863	1150	13	0.85	GR77R37 GRF77R37	4P	258	6.3	5.07	3.1	5.40	301	5.4	4.35	3.0	12	346	4.7	3.79	2.9	14	369	4.4	3.55	2.8	15	417	3.9	3.14	2.7	16	450	3.6	2.91	2.6	18	496	3.3	2.64	2.5	20	553	2.9	2.37	2.5	22	642	2.5	2.04	2.3	26	682	2.4	1.92	2.3	28	794	2.0	1.65	2.2	31	0.25kW							0.25kW							0.14	15812	9760	48	0.85	GR147R77 GRF147R77	4P	2.4	907	560	8.6	0.95	GR77R37 GRF77R37	4P	0.16	13601	8395	60	1.00	0.18	11859	7320	63	1.15	0.21	10432	6439	65	1.30	0.24	8868	5474	66	1.55	0.27	7995	4935	67	1.70	0.31	7036	4343	68	1.95	0.36	5978	3690	69	2.25	0.41	5260	3247	69	2.60	0.46	4682	2890	70	2.90	0.23	9468	5844	48	0.90	GR137R77 GRF137R77	4P	3.4	629	388	7.1	1.00	GR67R37 GRF67R37	4P	0.26	8303	5125	51	1.00	0.30	7243	4471	53	1.15	0.34	6401	3951	54	1.30	0.28	7712	4760	51	1.05	GR137R77 GRF137R77	4P	5.1	423	261	8.8	1.45	GR67R37 GRF67R37	4P	0.33	6579	4061	53	1.25	0.37	5753	3551	55	1.45	0.39	5466	3374	55	1.50	0.45	4795	2960	56	1.75	0.50	4313	2662	56	1.95	0.55	3914	2416	57	2.15	GR137R77 GRF137R77	4P	5.7	379	234	9.0	1.65	GR57R37 GRF57R37	4P	0.64	3363	2076	57	2.50	0.72	2984	1842	57	2.80	0.95	2276	1405	58	3.65	1.1	1998	1233	58	4.20	0.44	4923	3039	26	0.90	GR107R77 GRF107R77	4P	6.2	348	215	7.2	1.35	GR57R37 GRF57R37	4P	0.44	4915	3034	20	0.90	GR107R77 GRF107R77	4P	7.1	303	187	7.3	1.55	0.67	3219	1987	33	1.40	GR107R77 GRF107R77	4P	8.1	266	164	7.4	1.75	GR57R37 GRF57R37	4P	0.73	2960	1827	34	1.50	0.83	2591	1599	34	1.75	9.4	230	142	7.4	2.05	GR57R37 GRF57R37	4P	4.1	525	324	5.3	0.90	4.6	470	290	6.7	1.00	5.1	424	262	6.8	1.10																							
188	8.9	4.53	4.3	9.20			198	8.5	4.30	4.2	9.40			216	7.5	6.07	4.1	5.40	GRX67 GRXF67	4P	0.66	3266	2016			12	0.95	GR97R57 GRF97R57	4P	253			6.4	5.18	3.9	11	289	5.6	4.53	3.7	14	305	5.3	4.30	3.7	14	347	4.7	3.77	3.5	18	409	4.0	3.20	3.3	24	453	3.6	2.89	3.2	28	516	3.1	2.54	3.1	36	546	3.0	2.40	3.0	40	642	2.5	2.04	2.9	50	155	11	5.50	3.7	3.60	GRX57 GRXF57			6P	0.77	2808	1733	21			1.10	GR87R57 GRF87R57	4P	168	10	5.07	3.6	3.60	195	8.6	4.35	3.4	7.90	224	7.5	3.79	3.3	9.20	238	6.8			5.50	3.2	5.40	GRX57 GRXF57	4P			1.2	1863	1150	13	0.85	GR77R37 GRF77R37	4P	258	6.3	5.07	3.1	5.40	301	5.4	4.35	3.0	12	346	4.7	3.79	2.9	14	369	4.4	3.55	2.8	15	417	3.9	3.14	2.7	16	450	3.6	2.91	2.6	18	496	3.3	2.64	2.5	20	553	2.9	2.37	2.5	22	642	2.5	2.04	2.3	26	682	2.4	1.92	2.3	28	794	2.0	1.65	2.2	31	0.25kW							0.25kW							0.14	15812	9760	48	0.85			GR147R77 GRF147R77	4P	2.4	907	560	8.6	0.95	GR77R37 GRF77R37	4P	0.16	13601	8395	60	1.00	0.18	11859	7320	63	1.15	0.21	10432	6439	65	1.30	0.24	8868	5474	66	1.55	0.27	7995	4935	67	1.70	0.31	7036	4343	68	1.95	0.36	5978	3690	69	2.25	0.41	5260	3247	69	2.60	0.46			4682	2890	70	2.90	0.23			9468	5844	48	0.90	GR137R77 GRF137R77	4P	3.4	629	388	7.1	1.00	GR67R37 GRF67R37	4P	0.26	8303	5125	51	1.00	0.30	7243			4471	53	1.15	0.34	6401			3951	54	1.30	0.28	7712	4760	51	1.05	GR137R77 GRF137R77	4P	5.1	423	261	8.8	1.45	GR67R37 GRF67R37	4P	0.33	6579	4061	53	1.25	0.37	5753	3551	55	1.45	0.39	5466	3374			55	1.50	0.45	4795	2960			56	1.75	0.50	4313	2662	56	1.95	0.55	3914	2416	57	2.15	GR137R77 GRF137R77	4P	5.7	379	234	9.0	1.65	GR57R37 GRF57R37	4P	0.64	3363	2076	57			2.50	0.72	2984	1842	57			2.80	0.95	2276	1405	58			3.65	1.1	1998	1233	58	4.20	0.44	4923	3039	26			0.90	GR107R77 GRF107R77	4P	6.2	348			215	7.2	1.35	GR57R37 GRF57R37	4P	0.44	4915	3034	20	0.90	GR107R77 GRF107R77	4P	7.1	303	187			7.3	1.55	0.67	3219	1987	33	1.40	GR107R77 GRF107R77	4P	8.1	266	164	7.4	1.75	GR57R37 GRF57R37	4P	0.73	2960	1827	34	1.50	0.83	2591	1599	34	1.75	9.4	230	142	7.4	2.05	GR57R37 GRF57R37	4P	4.1	525	324	5.3	0.90
198	8.5	4.30	4.2	9.40																																																																																																																																																																																																																																																																																																																																																																																																																																																									
216	7.5	6.07	4.1	5.40	GRX67 GRXF67	4P	0.66	3266	2016	12	0.95	GR97R57 GRF97R57	4P																																																																																																																																																																																																																																																																																																																																																																																																																																																
253	6.4	5.18	3.9	11			289	5.6	4.53	3.7	14			305	5.3	4.30	3.7	14			347	4.7	3.77			3.5	18	409	4.0	3.20	3.3	24	453	3.6	2.89	3.2	28	516	3.1	2.54	3.1	36	546	3.0	2.40	3.0	40	642	2.5	2.04	2.9	50	155	11	5.50	3.7	3.60	GRX57 GRXF57	6P	0.77	2808	1733	21	1.10	GR87R57 GRF87R57	4P	168	10	5.07	3.6	3.60	195	8.6	4.35	3.4	7.90	224	7.5	3.79	3.3	9.20		238	6.8		5.50	3.2	5.40	GRX57 GRXF57	4P	1.2	1863			1150	13	0.85	GR77R37 GRF77R37	4P	258	6.3	5.07	3.1	5.40	301	5.4	4.35	3.0	12	346	4.7			3.79	2.9	14			369	4.4	3.55	2.8	15	417	3.9			3.14	2.7	16	450	3.6	2.91	2.6	18	496	3.3	2.64	2.5	20	553	2.9	2.37	2.5	22	642	2.5	2.04	2.3	26	682	2.4	1.92	2.3	28	794	2.0	1.65	2.2	31	0.25kW							0.25kW							0.14	15812	9760	48	0.85	GR147R77 GRF147R77	4P	2.4	907	560	8.6	0.95	GR77R37 GRF77R37	4P	0.16	13601	8395	60	1.00	0.18			11859	7320	63	1.15	0.21	10432	6439			65	1.30	0.24	8868	5474			66	1.55	0.27	7995	4935	67	1.70	0.31	7036	4343	68	1.95	0.36	5978	3690	69	2.25	0.41	5260	3247	69	2.60	0.46	4682	2890	70	2.90	0.23	9468	5844	48	0.90	GR137R77 GRF137R77	4P	3.4	629	388	7.1	1.00	GR67R37 GRF67R37	4P	0.26	8303	5125	51	1.00	0.30	7243	4471	53	1.15	0.34	6401	3951			54	1.30	0.28	7712	4760			51	1.05	GR137R77 GRF137R77	4P	5.1	423	261			8.8	1.45	GR67R37 GRF67R37	4P	0.33	6579	4061	53	1.25	0.37	5753	3551	55	1.45	0.39			5466	3374	55	1.50	0.45			4795	2960	56	1.75	0.50	4313	2662	56	1.95	0.55	3914	2416	57			2.15	GR137R77 GRF137R77	4P	5.7	379	234	9.0	1.65	GR57R37 GRF57R37	4P	0.64	3363	2076	57	2.50	0.72	2984	1842	57			2.80	0.95	2276	1405	58			3.65	1.1	1998	1233	58	4.20	0.44	4923	3039	26	0.90	GR107R77 GRF107R77	4P	6.2	348	215	7.2	1.35	GR57R37 GRF57R37	4P	0.44	4915	3034	20	0.90	GR107R77 GRF107R77	4P	7.1	303	187	7.3	1.55	0.67	3219	1987	33	1.40	GR107R77 GRF107R77	4P	8.1	266	164	7.4	1.75	GR57R37 GRF57R37	4P	0.73	2960	1827	34	1.50	0.83	2591	1599	34	1.75	9.4	230	142	7.4	2.05	GR57R37 GRF57R37	4P	4.1	525	324	5.3	0.90	4.6	470	290	6.7	1.00	5.1	424	262	6.8	1.10																
289	5.6	4.53	3.7	14			305	5.3	4.30	3.7	14	347	4.7	3.77	3.5	18	409	4.0			3.20	3.3	24			453	3.6	2.89	3.2	28	516	3.1	2.54	3.1	36	546	3.0	2.40	3.0	40	642	2.5	2.04	2.9	50	155	11	5.50	3.7	3.60	GRX57 GRXF57	6P	0.77	2808	1733	21	1.10			GR87R57 GRF87R57	4P	168	10	5.07			3.6	3.60	195	8.6	4.35	3.4	7.90	224	7.5	3.79	3.3	9.20	238	6.8	5.50	3.2	5.40	GRX57 GRXF57	4P	1.2	1863	1150			13	0.85	GR77R37 GRF77R37	4P	258	6.3	5.07			3.1	5.40	301	5.4	4.35	3.0	12	346	4.7	3.79	2.9	14			369	4.4	3.55			2.8	15	417	3.9	3.14	2.7	16	450	3.6	2.91	2.6	18	496	3.3	2.64	2.5	20	553	2.9	2.37	2.5	22	642	2.5	2.04	2.3	26	682	2.4	1.92	2.3	28	794	2.0	1.65	2.2	31	0.25kW							0.25kW							0.14	15812	9760	48	0.85	GR147R77 GRF147R77	4P	2.4	907	560			8.6	0.95	GR77R37 GRF77R37	4P	0.16			13601	8395	60	1.00	0.18	11859			7320	63	1.15	0.21	10432	6439	65			1.30	0.24	8868	5474	66	1.55	0.27	7995	4935	67	1.70	0.31	7036	4343	68	1.95	0.36	5978	3690	69	2.25	0.41	5260	3247	69	2.60	0.46	4682	2890	70	2.90	0.23	9468	5844	48	0.90	GR137R77 GRF137R77	4P	3.4			629	388	7.1	1.00	GR67R37 GRF67R37			4P	0.26	8303	5125	51	1.00	0.30	7243	4471	53	1.15	0.34	6401	3951	54	1.30	0.28	7712	4760	51	1.05	GR137R77 GRF137R77	4P	5.1			423	261	8.8			1.45	GR67R37 GRF67R37			4P	0.33	6579	4061	53	1.25	0.37	5753	3551	55	1.45			0.39	5466	3374	55	1.50	0.45	4795	2960	56	1.75	0.50	4313	2662	56	1.95	0.55	3914	2416	57	2.15			GR137R77 GRF137R77			4P	5.7	379	234	9.0			1.65	GR57R37 GRF57R37	4P	0.64	3363	2076	57	2.50	0.72			2984	1842	57	2.80	0.95	2276	1405	58	3.65	1.1	1998	1233	58	4.20	0.44	4923	3039	26			0.90	GR107R77 GRF107R77	4P	6.2	348			215	7.2	1.35	GR57R37 GRF57R37	4P			0.44	4915	3034	20	0.90	GR107R77 GRF107R77	4P	7.1	303	187			7.3	1.55	0.67	3219	1987			33	1.40	GR107R77 GRF107R77	4P	8.1	266	164	7.4	1.75	GR57R37 GRF57R37	4P	0.73	2960	1827	34			1.50	0.83	2591	1599	34	1.75	9.4	230	142	7.4	2.05	GR57R37 GRF57R37	4P	4.1	525	324	5.3	0.90	4.6	470	290	6.7	1.00	5.1	424	262	6.8	1.10			
305	5.3	4.30	3.7	14			347	4.7	3.77	3.5	18	409	4.0	3.20	3.3	24	453	3.6			2.89	3.2	28			516	3.1	2.54	3.1	36	546	3.0	2.40	3.0	40	642	2.5	2.04	2.9	50	155	11	5.50	3.7	3.60	GRX57 GRXF57	6P	0.77	2808	1733			21	1.10	GR87R57 GRF87R57	4P	168					10	5.07	3.6			3.60	195	8.6	4.35	3.4	7.90	224	7.5	3.79	3.3	9.20	238	6.8	5.50	3.2	5.40	GRX57 GRXF57			4P	1.2	1863			1150	13			0.85	GR77R37 GRF77R37	4P			258	6.3	5.07	3.1	5.40	301	5.4	4.35	3.0	12	346	4.7			3.79	2.9	14			369	4.4	3.55	2.8	15	417	3.9	3.14	2.7	16	450	3.6	2.91	2.6	18	496	3.3	2.64	2.5	20	553	2.9	2.37	2.5	22	642	2.5	2.04	2.3	26	682	2.4	1.92	2.3	28	794	2.0	1.65	2.2	31	0.25kW							0.25kW							0.14	15812			9760	48	0.85			GR147R77 GRF147R77	4P			2.4			907	560	8.6	0.95	GR77R37 GRF77R37	4P			0.16	13601	8395	60	1.00	0.18	11859			7320	63	1.15	0.21	10432	6439	65	1.30	0.24	8868	5474	66	1.55	0.27	7995	4935	67	1.70	0.31	7036	4343	68	1.95	0.36	5978	3690	69	2.25	0.41	5260	3247	69	2.60	0.46	4682	2890			70			2.90	0.23	9468	5844					48	0.90	GR137R77 GRF137R77	4P	3.4	629	388	7.1	1.00	GR67R37 GRF67R37	4P	0.26	8303	5125	51	1.00	0.30	7243	4471	53			1.15			0.34	6401	3951	54	1.30	0.28					7712	4760	51	1.05	GR137R77 GRF137R77	4P	5.1	423	261	8.8			1.45	GR67R37 GRF67R37	4P	0.33	6579	4061	53	1.25	0.37	5753	3551	55	1.45	0.39	5466	3374	55	1.50	0.45	4795	2960	56					1.75	0.50	4313	2662			56			1.95	0.55	3914	2416	57	2.15			GR137R77 GRF137R77	4P	5.7	379	234	9.0	1.65	GR57R37 GRF57R37	4P	0.64	3363	2076	57	2.50	0.72	2984	1842	57	2.80	0.95	2276			1405	58	3.65	1.1	1998	1233	58			4.20	0.44	4923	3039	26	0.90	GR107R77 GRF107R77			4P	6.2	348	215	7.2	1.35	GR57R37 GRF57R37	4P	0.44	4915	3034	20	0.90	GR107R77 GRF107R77			4P	7.1	303	187	7.3			1.55	0.67	3219	1987			33	1.40	GR107R77 GRF107R77	4P	8.1	266	164	7.4	1.75	GR57R37 GRF57R37	4P			0.73	2960	1827	34	1.50	0.83	2591	1599	34	1.75	9.4	230	142	7.4	2.05	GR57R37 GRF57R37	4P	4.1
347	4.7	3.77	3.5	18			409	4.0	3.20	3.3	24	453	3.6	2.89	3.2	28	516	3.1			2.54	3.1	36			546	3.0	2.40	3.0	40	642	2.5	2.04	2.9	50	155	11	5.50	3.7	3.60	GRX57 GRXF57	6P	0.77	2808	1733			21	1.10	GR87R57 GRF87R57			4P	168			10					5.07	3.6	3.60			195	8.6	4.35	3.4	7.90	224	7.5	3.79	3.3	9.20	238	6.8	5.50	3.2	5.40	GRX57 GRXF57					4P	1.2			1863	1150			13					0.85	GR77R37 GRF77R37	4P	258	6.3	5.07	3.1	5.40	301	5.4	4.35	3.0			12	346	4.7			3.79	2.9	14	369	4.4	3.55	2.8	15	417	3.9	3.14	2.7	16	450	3.6	2.91	2.6	18	496	3.3	2.64	2.5	20	553	2.9	2.37	2.5	22	642	2.5	2.04	2.3	26	682	2.4	1.92	2.3	28	794	2.0	1.65	2.2	31	0.25kW							0.25kW								0.14	15812	9760							48			0.85	GR147R77 GRF147R77	4P	2.4					907	560	8.6	0.95	GR77R37 GRF77R37	4P	0.16			13601	8395	60	1.00	0.18	11859	7320	63	1.15	0.21	10432	6439	65	1.30	0.24	8868	5474	66	1.55	0.27	7995	4935	67	1.70	0.31	7036	4343	68	1.95	0.36	5978	3690	69	2.25	0.41	5260			3247			69	2.60	0.46	4682					2890	70			2.90	0.23	9468	5844	48			0.90	GR137R77 GRF137R77	4P	3.4	629	388	7.1	1.00	GR67R37 GRF67R37			4P			0.26	8303	5125	51	1.00	0.30					7243	4471	53	1.15			0.34	6401	3951	54	1.30	0.28	7712			4760	51	1.05	GR137R77 GRF137R77	4P	5.1	423	261	8.8	1.45	GR67R37 GRF67R37	4P	0.33	6579	4061	53	1.25	0.37	5753					3551	55	1.45	0.39			5466			3374	55	1.50	0.45	4795	2960	56	1.75			0.50	4313	2662	56	1.95			0.55	3914	2416	57	2.15	GR137R77 GRF137R77	4P	5.7	379	234	9.0	1.65	GR57R37 GRF57R37	4P	0.64	3363	2076	57	2.50	0.72	2984	1842	57	2.80	0.95	2276	1405	58	3.65		1.1	1998		1233	58	4.20	0.44	4923			3039	26	0.90	GR107R77 GRF107R77	4P		6.2	348		215	7.2	1.35	GR57R37 GRF57R37	4P	0.44	4915	3034	20	0.90	GR107R77 GRF107R77	4P	7.1	303			187	7.3	1.55	0.67	3219					1987	33	1.40	GR107R77 GRF107R77	4P	8.1	266	164	7.4	1.75	GR57R37 GRF57R37	4P	0.73	2960	1827			34
409	4.0	3.20	3.3	24			453	3.6	2.89	3.2	28	516	3.1	2.54	3.1	36	546	3.0			2.40	3.0	40	642	2.5	2.04	2.9	50	155	11	5.50	3.7	3.60	GRX57 GRXF57	6P	0.77	2808	1733	21	1.10			GR87R57 GRF87R57	4P	168			10	5.07					3.6			3.60	195	8.6			4.35	3.4	7.90	224	7.5	3.79	3.3	9.20	238	6.8	5.50	3.2	5.40	GRX57 GRXF57	4P	1.2	1863	1150	13	0.85							GR77R37 GRF77R37			4P	258			6.3			5.07	3.1	5.40			301	5.4	4.35	3.0	12	346	4.7	3.79	2.9			14	369	4.4			3.55	2.8	15	417	3.9	3.14	2.7	16	450	3.6	2.91	2.6	18	496	3.3	2.64	2.5	20	553	2.9	2.37	2.5	22	642	2.5	2.04	2.3	26	682	2.4	1.92	2.3	28	794	2.0	1.65	2.2	31	0.25kW							0.25kW							0.14	15812	9760	48			0.85	GR147R77 GRF147R77	4P							2.4	907	560	8.6			0.95					GR77R37 GRF77R37	4P	0.16	13601			8395			60	1.00	0.18	11859	7320	63	1.15	0.21	10432	6439	65	1.30	0.24	8868	5474	66	1.55	0.27	7995	4935	67	1.70	0.31	7036	4343	68	1.95	0.36	5978	3690	69	2.25	0.41	5260	3247	69			2.60	0.46	4682	2890	70	2.90	0.23		9468	5844		48	0.90			GR137R77 GRF137R77	4P	3.4	629	388			7.1			1.00	GR67R37 GRF67R37	4P	0.26	8303							5125	51	1.00	0.30	7243	4471		53	1.15		0.34	6401	3951	54			1.30	0.28	7712	4760	51	1.05	GR137R77 GRF137R77			4P	5.1	423			261	8.8	1.45	GR67R37 GRF67R37	4P			0.33	6579	4061	53	1.25	0.37	5753					3551	55	1.45	0.39	5466	3374	55			1.50	0.45	4795	2960	56	1.75	0.50	4313			2662	56	1.95	0.55	3914			2416	57	2.15	GR137R77 GRF137R77	4P			5.7	379	234	9.0	1.65			GR57R37 GRF57R37	4P	0.64	3363	2076	57	2.50	0.72	2984	1842	57	2.80	0.95	2276	1405	58	3.65	1.1	1998	1233	58	4.20	0.44	4923	3039	26	0.90	GR107R77 GRF107R77	4P			6.2	348	215	7.2	1.35	GR57R37 GRF57R37	4P			0.44	4915	3034	20	0.90			GR107R77 GRF107R77	4P	7.1	303	187	7.3	1.55	0.67	3219	1987	33	1.40	GR107R77 GRF107R77	4P	8.1	266			164	7.4	1.75	GR57R37 GRF57R37	4P			0.73	2960	1827			34
453	3.6	2.89	3.2	28			516	3.1	2.54	3.1	36	546	3.0	2.40	3.0	40	642	2.5	2.04	2.9	50	155	11	5.50	3.7	3.60	GRX57 GRXF57	6P	0.77	2808	1733	21	1.10			GR87R57 GRF87R57	4P	168	10	5.07					3.6			3.60	195		8.6	4.35		3.4			7.90	224	7.5	3.79	3.3	9.20	238	6.8	5.50	3.2	5.40	GRX57 GRXF57	4P	1.2	1863	1150	13	0.85			GR77R37 GRF77R37	4P	258	6.3	5.07											3.1	5.40	301	5.4			4.35	3.0	12			346	4.7	3.79	2.9	14	369	4.4	3.55	2.8			15	417	3.9			3.14	2.7	16	450	3.6	2.91	2.6	18	496	3.3	2.64	2.5	20	553	2.9	2.37	2.5	22	642	2.5	2.04	2.3	26	682	2.4	1.92	2.3	28	794	2.0	1.65	2.2	31	0.25kW							0.25kW							0.14	15812	9760	48	0.85	GR147R77 GRF147R77	4P	2.4	907			560							8.6	0.95	GR77R37 GRF77R37	4P	0.16	13601			8395							60	1.00			0.18			11859	7320	63	1.15	0.21	10432	6439	65	1.30	0.24	8868	5474	66	1.55	0.27	7995	4935	67	1.70	0.31	7036	4343	68	1.95	0.36	5978	3690	69	2.25	0.41	5260	3247	69	2.60	0.46	4682	2890	70	2.90	0.23	9468	5844	48	0.90	GR137R77 GRF137R77	4P	3.4	629	388	7.1	1.00					GR67R37 GRF67R37	4P	0.26			8303			5125			51	1.00							0.30	7243	4471	53	1.15	0.34	6401	3951	54	1.30	0.28	7712	4760	51			1.05	GR137R77 GRF137R77	4P	5.1	423	261					8.8	1.45			GR67R37 GRF67R37	4P	0.33					6579	4061	53	1.25	0.37	5753	3551					55	1.45	0.39	5466	3374	55	1.50	0.45	4795	2960	56	1.75	0.50	4313	2662	56	1.95			0.55	3914	2416	57	2.15			GR137R77 GRF137R77	4P	5.7					379	234	9.0	1.65	GR57R37 GRF57R37					4P	0.64	3363	2076	57	2.50	0.72	2984	1842	57	2.80	0.95	2276	1405	58	3.65	1.1	1998	1233	58	4.20	0.44	4923	3039	26			0.90	GR107R77 GRF107R77	4P	6.2	348	215	7.2			1.35	GR57R37 GRF57R37	4P	0.44	4915	3034	20	0.90	GR107R77 GRF107R77			4P	7.1	303	187	7.3	1.55	0.67	3219	1987	33			1.40	GR107R77 GRF107R77	4P	8.1	266	164	7.4			1.75	GR57R37 GRF57R37	4P	0.73	2960	1827	34	1.50
516	3.1	2.54	3.1	36																																																																																																																																																																																																																																																																																																																																																																																																																																																									
546	3.0	2.40	3.0	40	642	2.5	2.04	2.9	50	155	11	5.50	3.7	3.60	GRX57 GRXF57	6P	0.77	2808	1733	21	1.10	GR87R57 GRF87R57	4P	168	10	5.07			3.6	3.60	195	8.6	4.35					3.4	7.90	224	7.5	3.79			3.3	9.20	238	6.8	5.50	3.2	5.40	GRX57 GRXF57	4P	1.2	1863	1150	13	0.85	GR77R37 GRF77R37	4P	258	6.3	5.07	3.1	5.40	301	5.4			4.35	3.0	12	346	4.7					3.79	2.9	14											369	4.4	3.55	2.8	15	417	3.9	3.14	2.7	16	450	3.6	2.91	2.6	18	496	3.3	2.64	2.5	20			553	2.9	2.37			2.5	22	642	2.5	2.04	2.3	26	682	2.4	1.92	2.3	28	794	2.0	1.65	2.2	31	0.25kW							0.25kW							0.14	15812	9760	48	0.85	GR147R77 GRF147R77	4P	2.4	907	560	8.6	0.95	GR77R37 GRF77R37	4P	0.16	13601	8395	60	1.00	0.18	11859			7320	63			1.15							0.21	10432			6439	65			1.30	0.24	8868	5474	66			1.55	0.27	7995	4935	67	1.70	0.31	7036	4343	68	1.95	0.36	5978	3690	69	2.25	0.41	5260	3247	69	2.60	0.46	4682	2890	70	2.90	0.23	9468	5844	48	0.90	GR137R77 GRF137R77	4P	3.4	629	388	7.1	1.00	GR67R37 GRF67R37	4P	0.26	8303	5125	51	1.00	0.30	7243	4471	53	1.15	0.34			6401	3951	54	1.30	0.28	7712	4760					51	1.05	GR137R77 GRF137R77	4P	5.1	423	261			8.8	1.45	GR67R37 GRF67R37	4P	0.33	6579	4061	53	1.25	0.37	5753	3551	55	1.45	0.39	5466	3374	55	1.50	0.45	4795	2960			56			1.75	0.50	4313		2662	56		1.95	0.55					3914			2416	57	2.15	GR137R77 GRF137R77	4P	5.7	379	234	9.0	1.65	GR57R37 GRF57R37	4P	0.64	3363	2076	57	2.50	0.72	2984	1842	57	2.80	0.95	2276	1405	58	3.65	1.1	1998	1233			58	4.20	0.44	4923	3039	26	0.90			GR107R77 GRF107R77					4P	6.2	348	215		7.2	1.35				GR57R37 GRF57R37	4P	0.44	4915	3034	20	0.90	GR107R77 GRF107R77	4P	7.1	303	187	7.3	1.55	0.67	3219	1987	33	1.40	GR107R77 GRF107R77	4P	8.1	266	164	7.4	1.75	GR57R37 GRF57R37	4P	0.73	2960	1827	34	1.50	0.83	2591	1599	34	1.75	9.4	230	142	7.4	2.05	GR57R37 GRF57R37	4P	4.1	525	324	5.3	0.90	4.6	470	290	6.7	1.00	5.1	424	262	6.8	1.10															
642	2.5	2.04	2.9	50	155	11	5.50	3.7	3.60	GRX57 GRXF57	6P	0.77	2808	1733			21	1.10	GR87R57 GRF87R57	4P	168			10	5.07	3.6			3.60	195	8.6	4.35	3.4	7.90	224			7.5	3.79	3.3	9.20	238	6.8	5.50	3.2	5.40	GRX57 GRXF57	4P	1.2	1863	1150			13	0.85	GR77R37 GRF77R37	4P	258			6.3	5.07	3.1	5.40	301	5.4	4.35			3.0	12	346	4.7	3.79					2.9	14	369							4.4			3.55	2.8	15	417	3.9	3.14	2.7	16	450	3.6	2.91	2.6	18	496	3.3	2.64	2.5	20	553	2.9	2.37	2.5	22	642	2.5	2.04			2.3	26	682	2.4	1.92	2.3	28	794	2.0	1.65	2.2	31	0.25kW							0.25kW							0.14	15812	9760	48	0.85	GR147R77 GRF147R77	4P	2.4	907	560			8.6	0.95	GR77R37 GRF77R37	4P	0.16			13601	8395	60	1.00	0.18	11859	7320			63	1.15			0.21							10432	6439			65	1.30			0.24	8868	5474	66	1.55	0.27	7995	4935	67	1.70	0.31	7036	4343	68	1.95	0.36	5978	3690	69	2.25	0.41	5260	3247	69	2.60	0.46	4682	2890	70	2.90	0.23	9468	5844	48	0.90	GR137R77 GRF137R77	4P	3.4			629	388	7.1	1.00	GR67R37 GRF67R37			4P	0.26	8303	5125	51	1.00	0.30	7243	4471	53	1.15			0.34	6401	3951	54	1.30	0.28	7712	4760	51			1.05	GR137R77 GRF137R77			4P	5.1	423	261	8.8	1.45	GR67R37 GRF67R37			4P	0.33	6579	4061	53	1.25	0.37	5753	3551	55	1.45	0.39	5466	3374	55	1.50	0.45	4795	2960	56	1.75			0.50	4313	2662		56	1.95		0.55	3914					2416	57	2.15	GR137R77 GRF137R77	4P	5.7			379	234	9.0	1.65	GR57R37 GRF57R37			4P	0.64	3363	2076	57	2.50	0.72	2984	1842	57	2.80	0.95	2276	1405	58	3.65	1.1	1998	1233	58	4.20	0.44	4923	3039	26	0.90	GR107R77 GRF107R77									4P	6.2	348		215	7.2	1.35	GR57R37 GRF57R37				4P	0.44	4915	3034	20			0.90	GR107R77 GRF107R77	4P	7.1	303	187	7.3	1.55	0.67	3219			1987	33	1.40	GR107R77 GRF107R77	4P			8.1	266	164	7.4	1.75	GR57R37 GRF57R37	4P	0.73	2960	1827	34	1.50	0.83	2591	1599			34	1.75	9.4	230	142	7.4	2.05	GR57R37 GRF57R37	4P	4.1	525	324	5.3	0.90	4.6	470	290	6.7	1.00	5.1	424	262	6.8	1.10						
155	11	5.50	3.7	3.60	GRX57 GRXF57	6P	0.77	2808	1733			21	1.10	GR87R57 GRF87R57			4P																																																																																																																																																																																																																																																																																																																																																																																																																																												
168	10	5.07	3.6	3.60			195	8.6	4.35			3.4	7.90					224			7.5			3.79	3.3	9.20	238	6.8	5.50	3.2	5.40	GRX57 GRXF57	4P	1.2	1863	1150	13	0.85	GR77R37 GRF77R37	4P	258	6.3	5.07	3.1	5.40	301			5.4	4.35	3.0			12	346			4.7			3.79	2.9	14	369	4.4	3.55	2.8			15	417	3.9	3.14	2.7			16	450	3.6	2.91	2.6							18			496	3.3	2.64	2.5	20	553	2.9	2.37	2.5	22	642	2.5	2.04	2.3	26	682	2.4	1.92	2.3	28	794	2.0	1.65	2.2	31	0.25kW							0.25kW							0.14	15812	9760	48	0.85	GR147R77 GRF147R77	4P	2.4	907	560	8.6	0.95	GR77R37 GRF77R37	4P	0.16	13601	8395	60	1.00	0.18			11859	7320	63			1.15	0.21			10432			6439	65	1.30	0.24	8868	5474	66			1.55	0.27			7995			4935	67			1.70	0.31	7036	4343	68	1.95			0.36	5978	3690	69	2.25	0.41	5260	3247	69	2.60	0.46	4682	2890	70	2.90	0.23	9468	5844	48	0.90	GR137R77 GRF137R77	4P	3.4	629	388	7.1	1.00	GR67R37 GRF67R37	4P	0.26	8303	5125	51	1.00	0.30			7243			4471	53	1.15	0.34					6401	3951	54	1.30	0.28	7712	4760	51	1.05	GR137R77 GRF137R77	4P	5.1	423	261	8.8	1.45	GR67R37 GRF67R37	4P	0.33	6579	4061	53	1.25	0.37					5753	3551	55	1.45	0.39					5466	3374	55	1.50	0.45	4795	2960	56	1.75	0.50	4313	2662	56	1.95	0.55	3914	2416	57	2.15	GR137R77 GRF137R77			4P	5.7	379	234	9.0	1.65	GR57R37 GRF57R37	4P	0.64	3363	2076	57	2.50	0.72	2984	1842			57			2.80	0.95	2276	1405					58	3.65	1.1	1998	1233	58	4.20	0.44	4923	3039	26	0.90	GR107R77 GRF107R77	4P	6.2	348	215	7.2	1.35	GR57R37 GRF57R37	4P	0.44	4915	3034	20	0.90			GR107R77 GRF107R77	4P	7.1	303	187	7.3	1.55	0.67	3219	1987	33	1.40	GR107R77 GRF107R77	4P	8.1	266	164	7.4	1.75	GR57R37 GRF57R37	4P	0.73	2960	1827	34	1.50	0.83	2591	1599	34	1.75	9.4	230	142	7.4	2.05	GR57R37 GRF57R37	4P	4.1	525	324	5.3	0.90	4.6	470	290	6.7	1.00	5.1	424	262	6.8	1.10																																					
195	8.6	4.35	3.4	7.90			224	7.5	3.79			3.3	9.20		238	6.8		5.50			3.2	5.40	GRX57 GRXF57	4P	1.2	1863	1150	13	0.85	GR77R37 GRF77R37	4P			258	6.3	5.07	3.1	5.40			301	5.4	4.35	3.0	12	346			4.7	3.79	2.9			14	369			4.4	3.55	2.8	15	417	3.9	3.14	2.7	16	450			3.6	2.91	2.6	18	496			3.3	2.64	2.5	20	553							2.9			2.37	2.5	22	642	2.5	2.04	2.3	26	682	2.4	1.92	2.3	28	794	2.0	1.65	2.2	31	0.25kW							0.25kW							0.14	15812	9760	48	0.85	GR147R77 GRF147R77	4P	2.4	907	560	8.6	0.95			GR77R37 GRF77R37	4P	0.16	13601	8395			60	1.00	0.18	11859	7320	63			1.15	0.21	10432			6439	65			1.30	0.24	8868	5474	66	1.55	0.27	7995	4935	67			1.70	0.31	7036	4343	68			1.95	0.36			5978	3690	69	2.25	0.41	5260			3247	69	2.60	0.46	4682	2890	70	2.90	0.23	9468	5844	48	0.90	GR137R77 GRF137R77	4P	3.4	629	388	7.1	1.00			GR67R37 GRF67R37	4P	0.26	8303	5125			51	1.00	0.30	7243	4471	53			1.15	0.34	6401	3951	54	1.30	0.28		7712	4760		51	1.05	GR137R77 GRF137R77	4P	5.1	423	261	8.8	1.45			GR67R37 GRF67R37	4P	0.33	6579	4061			53	1.25	0.37	5753	3551	55					1.45	0.39	5466	3374	55		1.50	0.45		4795	2960	56	1.75	0.50	4313	2662	56	1.95	0.55	3914	2416	57	2.15	GR137R77 GRF137R77	4P	5.7	379	234		9.0	1.65		GR57R37 GRF57R37	4P	0.64	3363	2076			57	2.50	0.72	2984	1842	57	2.80	0.95			2276			1405	58	3.65	1.1		1998	1233		58	4.20	0.44	4923	3039	26	0.90	GR107R77 GRF107R77	4P	6.2	348	215			7.2	1.35	GR57R37 GRF57R37	4P	0.44			4915	3034	20	0.90	GR107R77 GRF107R77	4P	7.1			303	187	7.3	1.55	0.67	3219	1987	33	1.40	GR107R77 GRF107R77			4P	8.1	266	164	7.4			1.75	GR57R37 GRF57R37	4P	0.73	2960	1827	34	1.50	0.83	2591	1599	34	1.75	9.4	230			142	7.4	2.05	GR57R37 GRF57R37	4P	4.1	525	324	5.3	0.90	4.6	470	290	6.7	1.00	5.1	424	262	6.8	1.10																																
224	7.5	3.79	3.3	9.20																																																																																																																																																																																																																																																																																																																																																																																																																																																									
238	6.8	5.50	3.2	5.40	GRX57 GRXF57	4P	1.2	1863	1150	13	0.85	GR77R37 GRF77R37	4P																																																																																																																																																																																																																																																																																																																																																																																																																																																
258	6.3	5.07	3.1	5.40			301	5.4	4.35	3.0	12			346	4.7	3.79	2.9	14	369	4.4	3.55	2.8			15	417	3.9	3.14	2.7					16	450	3.6	2.91	2.6	18	496	3.3	2.64	2.5	20	553	2.9			2.37	2.5	22			642	2.5	2.04	2.3	26	682	2.4	1.92	2.3	28	794	2.0	1.65	2.2			31	0.25kW							0.25kW							0.14	15812		9760	48	0.85	GR147R77 GRF147R77	4P	2.4	907	560	8.6	0.95	GR77R37 GRF77R37	4P	0.16	13601	8395	60	1.00	0.18	11859	7320	63	1.15	0.21	10432	6439	65	1.30	0.24	8868	5474	66	1.55	0.27	7995	4935	67	1.70	0.31	7036	4343			68	1.95	0.36	5978	3690					69	2.25	0.41	5260	3247	69	2.60	0.46	4682	2890	70			2.90	0.23	9468			5844	48	0.90	GR137R77 GRF137R77	4P	3.4	629	388	7.1	1.00	GR67R37 GRF67R37	4P	0.26	8303			5125	51	1.00	0.30	7243	4471	53	1.15	0.34	6401	3951	54	1.30	0.28	7712	4760	51	1.05	GR137R77 GRF137R77	4P	5.1	423	261	8.8	1.45	GR67R37 GRF67R37	4P	0.33	6579	4061	53	1.25			0.37	5753	3551	55	1.45	0.39	5466			3374	55	1.50	0.45	4795	2960	56	1.75	0.50	4313	2662	56	1.95	0.55	3914	2416	57	2.15	GR137R77 GRF137R77	4P	5.7	379	234	9.0	1.65	GR57R37 GRF57R37			4P	0.64	3363	2076	57					2.50	0.72	2984	1842	57	2.80	0.95	2276	1405	58	3.65	1.1	1998	1233	58	4.20	0.44	4923	3039	26	0.90	GR107R77 GRF107R77	4P	6.2	348	215	7.2	1.35	GR57R37 GRF57R37	4P	0.44	4915	3034	20	0.90	GR107R77 GRF107R77	4P	7.1			303	187	7.3		1.55	0.67				3219	1987	33	1.40	GR107R77 GRF107R77	4P	8.1	266	164	7.4	1.75	GR57R37 GRF57R37	4P	0.73	2960	1827	34	1.50	0.83	2591	1599	34	1.75	9.4	230	142	7.4	2.05	GR57R37 GRF57R37	4P	4.1	525	324	5.3	0.90	4.6	470	290	6.7	1.00	5.1	424	262	6.8	1.10																																																																																																			
301	5.4	4.35	3.0	12			346	4.7	3.79	2.9	14			369	4.4	3.55	2.8	15	417	3.9	3.14	2.7			16	450	3.6	2.91	2.6	18	496			3.3	2.64	2.5	20	553	2.9	2.37	2.5	22	642	2.5	2.04	2.3			26	682	2.4			1.92	2.3	28	794	2.0	1.65	2.2	31	0.25kW								0.25kW							0.14	15812	9760	48	0.85	GR147R77 GRF147R77	4P	2.4	907	560	8.6	0.95	GR77R37 GRF77R37	4P			0.16	13601	8395	60	1.00			0.18	11859	7320	63	1.15	0.21	10432	6439	65	1.30	0.24	8868	5474	66	1.55	0.27	7995	4935	67	1.70	0.31	7036	4343	68	1.95	0.36	5978	3690			69	2.25	0.41	5260	3247			69	2.60	0.46	4682	2890	70	2.90	0.23	9468	5844	48	0.90	GR137R77 GRF137R77			4P	3.4	629			388	7.1	1.00			GR67R37 GRF67R37	4P	0.26	8303	5125			51	1.00	0.30	7243	4471	53	1.15	0.34	6401	3951	54	1.30	0.28	7712	4760	51	1.05	GR137R77 GRF137R77	4P	5.1	423	261			8.8	1.45	GR67R37 GRF67R37	4P	0.33			6579	4061	53	1.25	0.37	5753	3551	55	1.45	0.39	5466	3374	55	1.50	0.45	4795	2960	56	1.75	0.50	4313	2662	56	1.95	0.55	3914	2416	57	2.15	GR137R77 GRF137R77	4P	5.7	379	234			9.0	1.65	GR57R37 GRF57R37	4P	0.64					3363	2076	57	2.50			0.72	2984	1842	57	2.80	0.95	2276	1405	58	3.65	1.1	1998	1233	58	4.20	0.44	4923	3039	26	0.90	GR107R77 GRF107R77	4P	6.2			348	215	7.2	1.35	GR57R37 GRF57R37			4P	0.44	4915	3034	20			0.90			GR107R77 GRF107R77	4P	7.1		303	187		7.3	1.55	0.67	3219	1987	33			1.40	GR107R77 GRF107R77	4P	8.1	266			164	7.4	1.75	GR57R37 GRF57R37	4P	0.73	2960	1827	34	1.50	0.83	2591	1599	34	1.75			9.4	230	142	7.4	2.05	GR57R37 GRF57R37	4P	4.1	525	324	5.3	0.90	4.6	470	290	6.7	1.00	5.1	424	262	6.8	1.10																																																																																												
346	4.7	3.79	2.9	14																																																																																																																																																																																																																																																																																																																																																																																																																																																									
369	4.4	3.55	2.8	15			417	3.9	3.14	2.7	16	450	3.6	2.91	2.6	18	496	3.3	2.64	2.5	20	553			2.9	2.37	2.5	22	642	2.5	2.04			2.3	26	682	2.4	1.92	2.3	28	794	2.0	1.65	2.2	31	0.25kW								0.25kW							0.14	15812	9760	48	0.85	GR147R77 GRF147R77	4P	2.4	907	560	8.6	0.95	GR77R37 GRF77R37	4P	0.16	13601	8395	60	1.00	0.18	11859			7320	63	1.15	0.21	10432					6439	65	1.30	0.24	8868			5474	66	1.55	0.27	7995	4935	67	1.70	0.31	7036	4343	68	1.95	0.36	5978	3690	69	2.25	0.41	5260	3247	69	2.60	0.46	4682	2890	70	2.90			0.23	9468	5844	48	0.90			GR137R77 GRF137R77	4P	3.4	629	388	7.1	1.00	GR67R37 GRF67R37	4P	0.26	8303	5125					51	1.00	0.30	7243	4471	53	1.15					0.34	6401	3951			54	1.30	0.28	7712	4760	51	1.05	GR137R77 GRF137R77	4P	5.1	423	261	8.8	1.45	GR67R37 GRF67R37	4P	0.33			6579	4061	53			1.25	0.37			5753			3551	55	1.45	0.39	5466	3374	55	1.50	0.45	4795	2960	56	1.75	0.50	4313	2662	56	1.95	0.55	3914	2416	57	2.15	GR137R77 GRF137R77	4P	5.7	379	234	9.0			1.65	GR57R37 GRF57R37	4P			0.64	3363			2076		57	2.50		0.72	2984	1842	57	2.80	0.95	2276	1405	58	3.65	1.1	1998	1233	58	4.20	0.44	4923	3039	26	0.90	GR107R77 GRF107R77	4P	6.2	348	215	7.2	1.35	GR57R37 GRF57R37	4P	0.44	4915	3034	20	0.90	GR107R77 GRF107R77	4P	7.1	303	187	7.3	1.55	0.67	3219	1987	33	1.40	GR107R77 GRF107R77	4P	8.1	266	164	7.4	1.75	GR57R37 GRF57R37	4P	0.73	2960	1827	34	1.50	0.83	2591	1599	34	1.75	9.4	230	142	7.4	2.05	GR57R37 GRF57R37	4P	4.1	525	324	5.3	0.90	4.6	470	290	6.7	1.00	5.1	424	262	6.8	1.10																																																																																																																		
417	3.9	3.14	2.7	16			450	3.6	2.91	2.6	18	496	3.3	2.64	2.5	20	553	2.9	2.37	2.5	22	642			2.5	2.04	2.3	26	682	2.4	1.92			2.3	28	794	2.0	1.65	2.2	31	0.25kW								0.25kW							0.14	15812	9760	48	0.85	GR147R77 GRF147R77	4P	2.4	907	560			8.6	0.95	GR77R37 GRF77R37	4P	0.16			13601	8395	60	1.00	0.18	11859	7320			63	1.15	0.21	10432	6439					65	1.30	0.24	8868	5474	66	1.55	0.27	7995	4935	67	1.70	0.31	7036	4343	68	1.95	0.36	5978	3690	69	2.25	0.41	5260	3247	69	2.60	0.46	4682	2890	70	2.90	0.23	9468	5844			48	0.90	GR137R77 GRF137R77	4P	3.4					629	388	7.1	1.00	GR67R37 GRF67R37			4P	0.26	8303		5125	51		1.00	0.30	7243	4471	53	1.15	0.34	6401	3951			54	1.30	0.28	7712	4760	51	1.05	GR137R77 GRF137R77	4P	5.1	423	261			8.8	1.45	GR67R37 GRF67R37	4P	0.33			6579			4061	53	1.25			0.37	5753			3551	55	1.45	0.39	5466	3374	55	1.50	0.45	4795	2960	56	1.75	0.50	4313	2662	56	1.95	0.55	3914	2416	57	2.15	GR137R77 GRF137R77	4P	5.7			379	234	9.0	1.65			GR57R37 GRF57R37					4P	0.64			3363	2076	57	2.50	0.72	2984	1842	57	2.80	0.95	2276	1405	58	3.65	1.1	1998	1233	58	4.20	0.44	4923	3039	26	0.90	GR107R77 GRF107R77			4P	6.2	348	215	7.2			1.35	GR57R37 GRF57R37	4P	0.44	4915			3034	20	0.90	GR107R77 GRF107R77	4P	7.1	303	187	7.3	1.55			0.67	3219	1987	33	1.40			GR107R77 GRF107R77	4P	8.1	266	164	7.4	1.75	GR57R37 GRF57R37	4P	0.73	2960	1827	34	1.50	0.83			2591	1599	34	1.75	9.4	230	142	7.4	2.05	GR57R37 GRF57R37	4P	4.1	525	324	5.3	0.90	4.6	470	290	6.7	1.00	5.1	424	262	6.8	1.10																																																																																																							
450	3.6	2.91	2.6	18			496	3.3	2.64	2.5	20	553	2.9	2.37	2.5	22	642	2.5	2.04	2.3	26	682			2.4	1.92	2.3	28	794	2.0	1.65			2.2	31	0.25kW							0.25kW							0.14	15812	9760	48	0.85	GR147R77 GRF147R77	4P	2.4	907	560	8.6			0.95	GR77R37 GRF77R37	4P			0.16	13601			8395			60	1.00	0.18	11859	7320	63	1.15			0.21	10432	6439	65	1.30	0.24	8868			5474	66	1.55	0.27	7995	4935	67	1.70	0.31	7036	4343	68	1.95	0.36	5978	3690	69	2.25	0.41	5260	3247	69	2.60	0.46	4682	2890	70	2.90	0.23	9468	5844	48	0.90	GR137R77 GRF137R77	4P			3.4	629			388					7.1	1.00	GR67R37 GRF67R37	4P					0.26	8303	5125	51	1.00	0.30	7243	4471	53	1.15	0.34	6401	3951	54	1.30	0.28	7712	4760	51	1.05	GR137R77 GRF137R77	4P	5.1	423			261	8.8	1.45			GR67R37 GRF67R37	4P			0.33			6579			4061	53	1.25			0.37	5753	3551	55	1.45	0.39	5466	3374	55	1.50	0.45	4795	2960	56	1.75	0.50	4313	2662	56	1.95	0.55	3914	2416	57	2.15	GR137R77 GRF137R77	4P			5.7			379	234	9.0	1.65									GR57R37 GRF57R37	4P	0.64	3363	2076	57	2.50	0.72	2984	1842	57	2.80	0.95	2276	1405	58	3.65	1.1	1998	1233	58	4.20	0.44	4923	3039	26	0.90		GR107R77 GRF107R77	4P		6.2	348	215	7.2	1.35	GR57R37 GRF57R37	4P			0.44	4915	3034	20	0.90	GR107R77 GRF107R77	4P			7.1	303	187	7.3	1.55	0.67	3219	1987	33	1.40	GR107R77 GRF107R77	4P	8.1	266			164	7.4	1.75	GR57R37 GRF57R37	4P			0.73	2960	1827	34	1.50	0.83			2591	1599	34	1.75	9.4	230	142	7.4	2.05			GR57R37 GRF57R37	4P	4.1	525	324	5.3	0.90	4.6	470	290	6.7	1.00	5.1	424	262	6.8	1.10																																																																																																					
496	3.3	2.64	2.5	20			553	2.9	2.37	2.5	22	642	2.5	2.04	2.3	26	682	2.4	1.92	2.3	28	794			2.0	1.65	2.2	31	0.25kW							0.25kW							0.14	15812	9760	48	0.85	GR147R77 GRF147R77	4P	2.4	907	560	8.6	0.95			GR77R37 GRF77R37	4P	0.16	13601			8395					60	1.00			0.18			11859	7320	63	1.15	0.21	10432	6439			65	1.30	0.24	8868	5474	66	1.55			0.27	7995	4935	67	1.70	0.31	7036	4343	68	1.95	0.36	5978	3690	69	2.25	0.41	5260	3247	69	2.60	0.46	4682	2890	70	2.90	0.23	9468	5844	48	0.90	GR137R77 GRF137R77	4P	3.4					629	388			7.1	1.00	GR67R37 GRF67R37			4P	0.26							8303	5125	51	1.00	0.30	7243	4471	53	1.15	0.34	6401	3951	54	1.30	0.28	7712	4760	51	1.05	GR137R77 GRF137R77			4P	5.1			423	261	8.8							1.45			GR67R37 GRF67R37			4P	0.33	6579	4061	53	1.25	0.37	5753	3551	55	1.45	0.39	5466	3374	55	1.50	0.45	4795	2960	56	1.75	0.50	4313	2662	56	1.95	0.55	3914	2416	57					2.15			GR137R77 GRF137R77	4P	5.7	379						234	9.0				1.65	GR57R37 GRF57R37	4P	0.64	3363	2076	57	2.50	0.72	2984	1842	57	2.80	0.95	2276	1405	58	3.65	1.1	1998	1233	58	4.20	0.44	4923	3039			26	0.90	GR107R77 GRF107R77	4P	6.2	348			215	7.2	1.35	GR57R37 GRF57R37	4P	0.44	4915			3034	20	0.90	GR107R77 GRF107R77	4P	7.1	303	187	7.3	1.55	0.67	3219			1987	33	1.40	GR107R77 GRF107R77	4P	8.1	266			164	7.4	1.75	GR57R37 GRF57R37	4P	0.73	2960	1827	34	1.50	0.83	2591	1599	34	1.75	9.4	230	142	7.4					2.05	GR57R37 GRF57R37	4P	4.1	525	324	5.3	0.90	4.6	470	290	6.7	1.00	5.1	424	262	6.8	1.10																																																																																																		
553	2.9	2.37	2.5	22			642	2.5	2.04	2.3	26	682	2.4	1.92	2.3	28	794	2.0	1.65	2.2	31	0.25kW							0.25kW							0.14	15812	9760	48	0.85	GR147R77 GRF147R77	4P	2.4	907	560	8.6	0.95			GR77R37 GRF77R37	4P	0.16	13601	8395					60	1.00			0.18					11859	7320			63	1.15	0.21	10432	6439	65	1.30	0.24	8868	5474			66	1.55	0.27	7995	4935	67	1.70			0.31	7036	4343	68	1.95	0.36	5978	3690	69	2.25	0.41	5260	3247	69	2.60	0.46	4682	2890	70	2.90	0.23	9468	5844	48	0.90	GR137R77 GRF137R77	4P	3.4	629	388			7.1			1.00	GR67R37 GRF67R37	4P	0.26			8303	5125		51	1.00		0.30				7243	4471		53	1.15	0.34	6401	3951	54	1.30	0.28	7712	4760	51	1.05	GR137R77 GRF137R77	4P	5.1	423	261	8.8	1.45					GR67R37 GRF67R37			4P	0.33	6579							4061	53	1.25		0.37	5753		3551	55	1.45	0.39	5466	3374	55	1.50	0.45	4795	2960	56	1.75	0.50	4313	2662	56	1.95	0.55	3914	2416	57	2.15	GR137R77 GRF137R77	4P	5.7	379	234	9.0					1.65					GR57R37 GRF57R37	4P	0.64	3363		2076	57	2.50	0.72				2984			1842	57	2.80	0.95	2276	1405	58	3.65	1.1	1998	1233	58	4.20	0.44	4923	3039	26	0.90	GR107R77 GRF107R77	4P	6.2	348	215	7.2	1.35	GR57R37 GRF57R37	4P			0.44	4915	3034	20	0.90	GR107R77 GRF107R77	4P			7.1	303	187	7.3	1.55	0.67	3219			1987	33	1.40	GR107R77 GRF107R77	4P	8.1	266	164	7.4	1.75	GR57R37 GRF57R37	4P			0.73	2960	1827	34	1.50	0.83	2591			1599	34	1.75	9.4	230	142	7.4	2.05	GR57R37 GRF57R37	4P	4.1	525	324	5.3	0.90	4.6			470			290	6.7	1.00	5.1	424	262	6.8	1.10																																																																																																									
642	2.5	2.04	2.3	26			682	2.4	1.92	2.3	28	794	2.0	1.65	2.2	31	0.25kW								0.25kW							0.14	15812	9760	48	0.85	GR147R77 GRF147R77	4P	2.4	907			560	8.6	0.95	GR77R37 GRF77R37	4P					0.16	13601	8395					60	1.00			0.18					11859	7320	63	1.15	0.21	10432	6439	65	1.30	0.24	8868	5474	66	1.55			0.27	7995	4935	67	1.70	0.31	7036			4343	68	1.95	0.36	5978	3690	69	2.25	0.41	5260	3247	69	2.60	0.46	4682	2890	70	2.90	0.23	9468	5844	48	0.90	GR137R77 GRF137R77	4P			3.4	629	388			7.1			1.00			GR67R37 GRF67R37	4P	0.26	8303	5125		51	1.00		0.30			7243	4471	53	1.15	0.34	6401	3951	54	1.30	0.28	7712	4760	51	1.05	GR137R77 GRF137R77	4P			5.1	423	261	8.8	1.45									GR67R37 GRF67R37	4P					0.33	6579	4061	53	1.25		0.37	5753		3551	55	1.45	0.39	5466	3374	55	1.50	0.45	4795	2960	56	1.75	0.50	4313	2662	56	1.95	0.55	3914	2416	57	2.15			GR137R77 GRF137R77	4P	5.7	379					234							9.0	1.65	GR57R37 GRF57R37	4P	0.64	3363	2076	57			2.50			0.72	2984	1842	57	2.80	0.95	2276	1405	58	3.65	1.1	1998	1233	58	4.20	0.44	4923	3039			26	0.90	GR107R77 GRF107R77	4P	6.2			348	215	7.2	1.35	GR57R37 GRF57R37	4P	0.44			4915	3034	20	0.90	GR107R77 GRF107R77	4P	7.1	303	187	7.3	1.55	0.67	3219	1987			33	1.40	GR107R77 GRF107R77	4P	8.1			266	164	7.4	1.75	GR57R37 GRF57R37	4P	0.73	2960	1827	34	1.50	0.83	2591	1599	34	1.75	9.4	230	142			7.4	2.05	GR57R37 GRF57R37	4P	4.1	525	324	5.3	0.90			4.6	470	290	6.7	1.00	5.1	424	262	6.8	1.10																																																																																																							
682	2.4	1.92	2.3	28																																																																																																																																																																																																																																																																																																																																																																																																																																																									
794	2.0	1.65	2.2	31			0.25kW							0.25kW							0.14	15812	9760	48	0.85	GR147R77 GRF147R77	4P	2.4	907	560	8.6	0.95	GR77R37 GRF77R37	4P	0.16	13601			8395	60			1.00	0.18	11859							7320	63	1.15			0.21	10432	6439	65			1.30	0.24	8868			5474	66	1.55	0.27	7995	4935	67	1.70	0.31	7036	4343	68	1.95	0.36			5978	3690	69	2.25	0.41	5260	3247	69	2.60	0.46	4682	2890	70	2.90	0.23	9468	5844	48	0.90	GR137R77 GRF137R77	4P	3.4	629	388	7.1	1.00	GR67R37 GRF67R37	4P	0.26	8303	5125	51					1.00	0.30	7243	4471	53	1.15	0.34	6401	3951					54	1.30	0.28	7712	4760	51	1.05	GR137R77 GRF137R77	4P	5.1	423	261	8.8	1.45	GR67R37 GRF67R37	4P	0.33	6579	4061	53	1.25	0.37	5753	3551					55	1.45	0.39	5466	3374						55	1.50				0.45	4795	2960	56	1.75	0.50	4313	2662	56	1.95	0.55	3914	2416	57	2.15	GR137R77 GRF137R77	4P	5.7	379	234	9.0	1.65	GR57R37 GRF57R37	4P	0.64	3363	2076	57	2.50	0.72	2984	1842	57	2.80	0.95	2276					1405	58			3.65	1.1	1998	1233	58					4.20	0.44			4923	3039	26	0.90	GR107R77 GRF107R77	4P	6.2	348	215	7.2	1.35	GR57R37 GRF57R37	4P	0.44	4915	3034	20	0.90	GR107R77 GRF107R77	4P	7.1	303	187	7.3	1.55	0.67	3219	1987	33	1.40	GR107R77 GRF107R77	4P	8.1	266	164	7.4	1.75	GR57R37 GRF57R37	4P	0.73	2960	1827	34	1.50	0.83	2591	1599	34	1.75	9.4	230	142	7.4	2.05	GR57R37 GRF57R37	4P	4.1	525	324	5.3	0.90	4.6	470	290	6.7	1.00	5.1	424	262	6.8	1.10																																																																																																																																														
0.25kW							0.25kW																																																																																																																																																																																																																																																																																																																																																																																																																																																						
0.14	15812	9760	48	0.85	GR147R77 GRF147R77	4P	2.4	907	560	8.6	0.95	GR77R37 GRF77R37	4P																																																																																																																																																																																																																																																																																																																																																																																																																																																
0.16	13601	8395	60	1.00			0.18	11859	7320	63	1.15			0.21	10432	6439	65	1.30	0.24	8868	5474	66	1.55	0.27	7995			4935	67	1.70	0.31	7036			4343	68			1.95	0.36			5978	3690	69	2.25	0.41			5260	3247	69	2.60	0.46			4682	2890	70	2.90			0.23	9468	5844	48	0.90	GR137R77 GRF137R77	4P	3.4	629	388	7.1	1.00	GR67R37 GRF67R37	4P	0.26	8303	5125	51	1.00	0.30	7243	4471	53	1.15	0.34	6401	3951	54	1.30	0.28	7712	4760	51	1.05	GR137R77 GRF137R77	4P	5.1	423	261	8.8			1.45	GR67R37 GRF67R37	4P	0.33	6579			4061	53	1.25	0.37	5753	3551	55	1.45	0.39	5466	3374	55	1.50	0.45	4795	2960	56	1.75	0.50	4313	2662	56	1.95	0.55	3914	2416	57	2.15			GR137R77 GRF137R77	4P	5.7	379	234			9.0	1.65	GR57R37 GRF57R37	4P	0.64	3363	2076	57			2.50	0.72	2984	1842	57	2.80	0.95	2276	1405	58	3.65	1.1	1998	1233	58	4.20	0.44	4923	3039	26	0.90	GR107R77 GRF107R77	4P	6.2	348	215	7.2	1.35	GR57R37 GRF57R37	4P	0.44	4915			3034	20	0.90	GR107R77 GRF107R77	4P			7.1	303	187	7.3	1.55	0.67	3219	1987	33	1.40	GR107R77 GRF107R77	4P	8.1	266			164	7.4	1.75	GR57R37 GRF57R37	4P	0.73	2960	1827	34	1.50	0.83	2591	1599	34	1.75	9.4	230	142	7.4	2.05	GR57R37 GRF57R37	4P	4.1	525	324	5.3	0.90	4.6	470	290	6.7	1.00	5.1	424	262	6.8	1.10																																																																																																																																																																																																	
0.18	11859	7320	63	1.15			0.21	10432	6439	65	1.30			0.24	8868	5474	66	1.55	0.27	7995	4935	67	1.70	0.31	7036			4343	68	1.95	0.36	5978	3690	69	2.25	0.41			5260	3247			69	2.60	0.46	4682	2890			70	2.90	0.23	9468	5844			48	0.90	GR137R77 GRF137R77	4P	3.4	629	388	7.1	1.00	GR67R37 GRF67R37	4P			0.26	8303	5125	51	1.00			0.30	7243	4471	53	1.15	0.34	6401	3951	54	1.30	0.28	7712	4760	51	1.05	GR137R77 GRF137R77	4P	5.1	423	261			8.8	1.45	GR67R37 GRF67R37	4P	0.33	6579	4061			53	1.25	0.37	5753	3551	55	1.45	0.39	5466	3374	55	1.50	0.45	4795	2960	56	1.75	0.50	4313	2662	56	1.95	0.55	3914	2416	57	2.15	GR137R77 GRF137R77	4P	5.7	379	234					9.0	1.65	GR57R37 GRF57R37	4P	0.64	3363	2076			57	2.50	0.72	2984	1842	57	2.80	0.95	2276	1405	58	3.65	1.1	1998	1233	58	4.20	0.44	4923	3039	26	0.90	GR107R77 GRF107R77	4P	6.2	348	215			7.2	1.35	GR57R37 GRF57R37	4P	0.44			4915	3034			20	0.90	GR107R77 GRF107R77			4P	7.1	303	187	7.3	1.55	0.67	3219	1987	33	1.40	GR107R77 GRF107R77			4P	8.1	266	164	7.4	1.75	GR57R37 GRF57R37			4P	0.73	2960	1827	34	1.50	0.83	2591	1599	34	1.75	9.4	230	142	7.4			2.05	GR57R37 GRF57R37	4P	4.1	525	324	5.3	0.90	4.6	470	290	6.7	1.00	5.1	424	262	6.8	1.10																																																																																																																																																																																														
0.21	10432	6439	65	1.30																																																																																																																																																																																																																																																																																																																																																																																																																																																									
0.24	8868	5474	66	1.55			0.27	7995	4935	67	1.70	0.31	7036	4343	68	1.95	0.36	5978	3690	69	2.25	0.41	5260	3247	69			2.60	0.46	4682	2890	70	2.90	0.23	9468	5844			48	0.90			GR137R77 GRF137R77	4P	3.4	629	388	7.1	1.00	GR67R37 GRF67R37	4P	0.26	8303	5125	51	1.00	0.30	7243			4471	53	1.15	0.34	6401					3951	54	1.30	0.28	7712			4760	51	1.05	GR137R77 GRF137R77	4P	5.1	423	261	8.8	1.45	GR67R37 GRF67R37	4P	0.33	6579	4061			53	1.25	0.37			5753	3551			55	1.45	0.39			5466	3374	55	1.50	0.45	4795	2960	56	1.75	0.50	4313	2662	56	1.95	0.55	3914	2416	57	2.15	GR137R77 GRF137R77	4P	5.7	379	234	9.0	1.65	GR57R37 GRF57R37			4P	0.64	3363	2076	57			2.50	0.72			2984	1842	57			2.80	0.95	2276	1405	58	3.65	1.1	1998	1233	58	4.20	0.44	4923	3039	26	0.90	GR107R77 GRF107R77	4P	6.2	348	215	7.2	1.35	GR57R37 GRF57R37	4P	0.44	4915	3034	20	0.90	GR107R77 GRF107R77	4P	7.1	303	187	7.3	1.55	0.67	3219	1987	33	1.40	GR107R77 GRF107R77	4P	8.1	266	164	7.4	1.75	GR57R37 GRF57R37	4P	0.73	2960	1827	34	1.50	0.83	2591	1599	34	1.75	9.4	230	142	7.4	2.05	GR57R37 GRF57R37	4P	4.1	525	324	5.3	0.90	4.6	470	290	6.7	1.00	5.1	424	262	6.8	1.10																																																																																																																																																																																																																		
0.27	7995	4935	67	1.70			0.31	7036	4343	68	1.95	0.36	5978	3690	69	2.25	0.41	5260	3247	69	2.60	0.46	4682	2890	70			2.90	0.23	9468	5844	48	0.90	GR137R77 GRF137R77	4P	3.4			629	388	7.1	1.00			GR67R37 GRF67R37	4P	0.26	8303	5125			51	1.00	0.30	7243	4471	53	1.15			0.34	6401	3951	54	1.30			0.28	7712	4760	51	1.05	GR137R77 GRF137R77	4P	5.1	423	261	8.8	1.45			GR67R37 GRF67R37	4P	0.33	6579	4061			53	1.25	0.37			5753	3551	55			1.45	0.39			5466	3374	55	1.50	0.45	4795	2960	56	1.75	0.50	4313	2662	56	1.95	0.55	3914	2416	57	2.15	GR137R77 GRF137R77	4P	5.7	379	234			9.0	1.65	GR57R37 GRF57R37	4P	0.64					3363	2076	57	2.50			0.72	2984			1842	57	2.80	0.95	2276	1405	58	3.65	1.1	1998	1233	58	4.20	0.44	4923	3039	26	0.90	GR107R77 GRF107R77	4P	6.2			348	215	7.2	1.35	GR57R37 GRF57R37			4P	0.44	4915	3034	20			0.90	GR107R77 GRF107R77	4P	7.1	303	187	7.3	1.55	0.67	3219			1987	33	1.40	GR107R77 GRF107R77	4P			8.1	266	164	7.4	1.75	GR57R37 GRF57R37	4P	0.73	2960	1827	34	1.50	0.83	2591	1599			34	1.75	9.4	230	142	7.4	2.05	GR57R37 GRF57R37	4P	4.1	525	324	5.3	0.90	4.6	470	290	6.7	1.00	5.1	424	262	6.8	1.10																																																																																																																																																																																																									
0.31	7036	4343	68	1.95			0.36	5978	3690	69	2.25	0.41	5260	3247	69	2.60	0.46	4682	2890	70	2.90	0.23	9468	5844	48			0.90	GR137R77 GRF137R77	4P	3.4	629	388			7.1	1.00	GR67R37 GRF67R37	4P	0.26	8303	5125					51	1.00	0.30			7243	4471	53	1.15	0.34	6401	3951	54	1.30	0.28	7712	4760	51	1.05	GR137R77 GRF137R77	4P	5.1	423	261	8.8	1.45			GR67R37 GRF67R37	4P	0.33	6579	4061					53	1.25	0.37			5753	3551	55			1.45	0.39	5466			3374	55	1.50	0.45	4795	2960	56	1.75	0.50	4313	2662	56	1.95	0.55	3914	2416	57	2.15	GR137R77 GRF137R77	4P	5.7	379	234			9.0	1.65	GR57R37 GRF57R37			4P	0.64			3363					2076	57	2.50	0.72			2984	1842	57	2.80	0.95	2276	1405	58	3.65	1.1	1998	1233	58	4.20	0.44	4923	3039	26	0.90	GR107R77 GRF107R77	4P	6.2			348	215	7.2	1.35	GR57R37 GRF57R37	4P	0.44		4915	3034		20	0.90	GR107R77 GRF107R77	4P	7.1	303	187			7.3	1.55	0.67	3219	1987	33	1.40	GR107R77 GRF107R77	4P	8.1	266	164			7.4	1.75	GR57R37 GRF57R37	4P	0.73	2960	1827			34	1.50	0.83	2591	1599	34	1.75	9.4			230	142	7.4	2.05	GR57R37 GRF57R37	4P	4.1			525	324	5.3	0.90	4.6	470	290	6.7	1.00	5.1	424	262	6.8	1.10																																																																																																																																																																																																										
0.36	5978	3690	69	2.25			0.41	5260	3247	69	2.60	0.46	4682	2890	70	2.90	0.23	9468	5844	48	0.90	GR137R77 GRF137R77	4P	3.4	629			388			7.1	1.00	GR67R37 GRF67R37			4P	0.26			8303	5125	51					1.00	0.30	7243			4471	53	1.15	0.34	6401	3951	54	1.30	0.28	7712	4760	51	1.05	GR137R77 GRF137R77			4P	5.1	423	261	8.8					1.45	GR67R37 GRF67R37	4P					0.33	6579	4061			53	1.25	0.37			5753	3551	55	1.45	0.39	5466	3374	55	1.50	0.45	4795	2960	56	1.75	0.50	4313	2662	56	1.95	0.55	3914	2416	57			2.15	GR137R77 GRF137R77	4P			5.7	379					234			9.0					1.65	GR57R37 GRF57R37	4P	0.64	3363	2076	57	2.50	0.72	2984	1842	57	2.80	0.95	2276	1405	58	3.65	1.1	1998	1233	58	4.20	0.44	4923			3039	26	0.90	GR107R77 GRF107R77	4P	6.2	348			215	7.2	1.35	GR57R37 GRF57R37	4P	0.44	4915			3034	20	0.90	GR107R77 GRF107R77	4P	7.1	303	187	7.3	1.55	0.67	3219			1987	33	1.40	GR107R77 GRF107R77	4P	8.1	266			164	7.4	1.75	GR57R37 GRF57R37	4P	0.73	2960	1827	34	1.50	0.83	2591	1599	34	1.75	9.4	230	142	7.4			2.05			GR57R37 GRF57R37	4P	4.1	525	324	5.3	0.90	4.6	470	290	6.7	1.00	5.1	424	262	6.8	1.10																																																																																																																																																																																																							
0.41	5260	3247	69	2.60			0.46	4682	2890	70	2.90	0.23	9468	5844	48	0.90	GR137R77 GRF137R77	4P	3.4	629	388			7.1	1.00	GR67R37 GRF67R37	4P	0.26			8303	5125					51			1.00	0.30	7243	4471	53			1.15	0.34	6401	3951	54	1.30	0.28	7712	4760	51	1.05	GR137R77 GRF137R77	4P	5.1	423	261	8.8	1.45					GR67R37 GRF67R37	4P	0.33	6579					4061							53	1.25	0.37	5753	3551	55	1.45	0.39	5466	3374	55	1.50	0.45	4795	2960	56	1.75	0.50	4313	2662	56	1.95	0.55	3914	2416	57	2.15	GR137R77 GRF137R77	4P	5.7	379	234	9.0			1.65					GR57R37 GRF57R37	4P					0.64			3363	2076	57	2.50	0.72	2984			1842	57	2.80	0.95	2276	1405	58	3.65	1.1	1998	1233	58	4.20	0.44	4923	3039	26	0.90	GR107R77 GRF107R77	4P	6.2	348	215	7.2	1.35	GR57R37 GRF57R37	4P			0.44	4915	3034	20	0.90	GR107R77 GRF107R77	4P			7.1	303	187	7.3	1.55	0.67	3219			1987	33	1.40	GR107R77 GRF107R77	4P	8.1	266	164	7.4	1.75	GR57R37 GRF57R37	4P			0.73	2960	1827	34	1.50	0.83	2591			1599	34	1.75	9.4	230	142	7.4	2.05	GR57R37 GRF57R37	4P	4.1	525	324	5.3			0.90	4.6	470			290	6.7	1.00	5.1	424	262	6.8	1.10																																																																																																																																																																																																														
0.46	4682	2890	70	2.90																																																																																																																																																																																																																																																																																																																																																																																																																																																									
0.23	9468	5844	48	0.90	GR137R77 GRF137R77	4P	3.4	629	388	7.1	1.00	GR67R37 GRF67R37	4P																																																																																																																																																																																																																																																																																																																																																																																																																																																
0.26	8303	5125	51	1.00			0.30	7243	4471	53	1.15			0.34	6401	3951			54	1.30	0.28	7712	4760	51	1.05			GR137R77 GRF137R77	4P	5.1	423	261	8.8	1.45	GR67R37 GRF67R37	4P	0.33	6579	4061	53	1.25	0.37	5753	3551	55	1.45	0.39	5466	3374	55	1.50	0.45	4795	2960	56	1.75	0.50			4313	2662	56	1.95	0.55							3914	2416	57	2.15	GR137R77 GRF137R77	4P	5.7	379	234	9.0	1.65	GR57R37 GRF57R37	4P	0.64	3363	2076	57	2.50	0.72	2984	1842	57	2.80	0.95	2276	1405	58	3.65	1.1	1998	1233	58	4.20	0.44	4923	3039	26	0.90	GR107R77 GRF107R77	4P			6.2	348	215	7.2			1.35			GR57R37 GRF57R37	4P			0.44	4915	3034	20	0.90	GR107R77 GRF107R77	4P	7.1	303	187	7.3	1.55	0.67	3219	1987	33	1.40	GR107R77 GRF107R77	4P	8.1	266	164	7.4	1.75	GR57R37 GRF57R37	4P	0.73	2960	1827	34	1.50	0.83	2591	1599	34	1.75	9.4	230	142	7.4	2.05	GR57R37 GRF57R37	4P	4.1	525	324	5.3	0.90	4.6	470	290	6.7	1.00	5.1	424	262	6.8	1.10																																																																																																																																																																																																																																																																						
0.30	7243	4471	53	1.15			0.34	6401	3951	54	1.30			0.28	7712	4760	51	1.05	GR137R77 GRF137R77	4P	5.1	423	261	8.8	1.45	GR67R37 GRF67R37	4P			0.33	6579	4061	53	1.25			0.37	5753	3551	55	1.45	0.39	5466	3374	55	1.50	0.45	4795	2960	56	1.75	0.50	4313	2662	56	1.95	0.55			3914	2416	57	2.15	GR137R77 GRF137R77		4P	5.7		379	234	9.0	1.65	GR57R37 GRF57R37	4P			0.64	3363	2076	57	2.50			0.72	2984	1842	57	2.80	0.95	2276	1405	58	3.65	1.1	1998	1233	58	4.20	0.44	4923	3039	26	0.90	GR107R77 GRF107R77	4P	6.2	348	215					7.2	1.35	GR57R37 GRF57R37	4P	0.44	4915	3034					20	0.90	GR107R77 GRF107R77	4P	7.1	303	187			7.3	1.55	0.67	3219	1987	33	1.40	GR107R77 GRF107R77	4P	8.1			266	164	7.4	1.75	GR57R37 GRF57R37			4P	0.73	2960	1827	34	1.50	0.83	2591	1599	34	1.75	9.4	230	142	7.4			2.05	GR57R37 GRF57R37	4P	4.1	525	324	5.3	0.90	4.6	470	290	6.7	1.00	5.1	424	262	6.8	1.10																																																																																																																																																																																																																																																																			
0.34	6401	3951	54	1.30																																																																																																																																																																																																																																																																																																																																																																																																																																																									
0.28	7712	4760	51	1.05	GR137R77 GRF137R77	4P	5.1	423	261	8.8	1.45	GR67R37 GRF67R37	4P																																																																																																																																																																																																																																																																																																																																																																																																																																																
0.33	6579	4061	53	1.25			0.37	5753	3551	55	1.45			0.39	5466	3374	55	1.50			0.45	4795	2960	56	1.75					0.50	4313	2662	56	1.95	0.55	3914	2416	57	2.15	GR137R77 GRF137R77	4P	5.7	379	234	9.0	1.65	GR57R37 GRF57R37	4P	0.64	3363	2076	57	2.50	0.72	2984	1842	57	2.80	0.95	2276	1405	58	3.65		1.1		1998	1233	58	4.20	0.44	4923					3039	26	0.90	GR107R77 GRF107R77	4P	6.2	348	215	7.2	1.35	GR57R37 GRF57R37	4P	0.44	4915	3034	20	0.90	GR107R77 GRF107R77	4P	7.1	303	187	7.3	1.55	0.67	3219	1987	33	1.40	GR107R77 GRF107R77	4P	8.1	266	164	7.4	1.75	GR57R37 GRF57R37	4P	0.73	2960	1827	34	1.50	0.83	2591	1599	34	1.75	9.4	230	142	7.4	2.05	GR57R37 GRF57R37	4P	4.1	525	324	5.3	0.90	4.6	470	290	6.7	1.00	5.1	424	262	6.8	1.10																																																																																																																																																																																																																																																																																																											
0.37	5753	3551	55	1.45			0.39	5466	3374	55	1.50			0.45	4795	2960	56	1.75			0.50	4313	2662	56	1.95	0.55	3914			2416	57	2.15	GR137R77 GRF137R77	4P	5.7	379	234	9.0	1.65			GR57R37 GRF57R37	4P	0.64	3363	2076			57	2.50	0.72	2984	1842	57	2.80	0.95	2276	1405	58	3.65	1.1	1998	1233		58		4.20	0.44	4923	3039	26	0.90	GR107R77 GRF107R77	4P			6.2	348	215			7.2	1.35	GR57R37 GRF57R37	4P	0.44			4915	3034	20	0.90	GR107R77 GRF107R77			4P	7.1	303	187	7.3	1.55	0.67	3219	1987	33			1.40	GR107R77 GRF107R77	4P	8.1	266			164	7.4	1.75	GR57R37 GRF57R37	4P	0.73	2960	1827	34	1.50	0.83	2591	1599	34	1.75			9.4	230	142	7.4	2.05	GR57R37 GRF57R37	4P	4.1	525	324	5.3	0.90	4.6	470	290	6.7	1.00	5.1	424	262	6.8	1.10																																																																																																																																																																																																																																																																																																				
0.39	5466	3374	55	1.50																																																																																																																																																																																																																																																																																																																																																																																																																																																									
0.45	4795	2960	56	1.75			0.50	4313	2662	56	1.95	0.55	3914	2416	57	2.15	GR137R77 GRF137R77	4P	5.7	379	234	9.0	1.65	GR57R37 GRF57R37	4P	0.64	3363	2076	57	2.50	0.72	2984			1842	57	2.80	0.95	2276					1405	58	3.65			1.1	1998	1233	58	4.20	0.44	4923	3039	26	0.90	GR107R77 GRF107R77	4P	6.2	348	215	7.2	1.35	GR57R37 GRF57R37	4P	0.44	4915	3034	20	0.90	GR107R77 GRF107R77	4P	7.1	303	187	7.3	1.55	0.67	3219	1987	33	1.40	GR107R77 GRF107R77	4P	8.1	266	164	7.4	1.75	GR57R37 GRF57R37	4P	0.73	2960	1827	34	1.50	0.83	2591	1599	34	1.75	9.4	230	142	7.4	2.05	GR57R37 GRF57R37	4P	4.1	525	324	5.3	0.90	4.6	470	290	6.7	1.00	5.1	424	262	6.8	1.10																																																																																																																																																																																																																																																																																																																																
0.50	4313	2662	56	1.95																																																																																																																																																																																																																																																																																																																																																																																																																																																									
0.55	3914	2416	57	2.15	GR137R77 GRF137R77	4P	5.7	379	234	9.0	1.65	GR57R37 GRF57R37	4P																																																																																																																																																																																																																																																																																																																																																																																																																																																
0.64	3363	2076	57	2.50			0.72	2984	1842	57	2.80			0.95	2276	1405			58	3.65	1.1	1998	1233			58	4.20	0.44	4923	3039	26	0.90			GR107R77 GRF107R77	4P	6.2	348	215	7.2	1.35	GR57R37 GRF57R37	4P	0.44	4915	3034	20	0.90	GR107R77 GRF107R77	4P	7.1	303	187	7.3	1.55	0.67	3219	1987	33	1.40	GR107R77 GRF107R77	4P	8.1	266	164	7.4	1.75	GR57R37 GRF57R37	4P	0.73	2960	1827	34	1.50	0.83	2591	1599	34	1.75	9.4	230	142	7.4	2.05	GR57R37 GRF57R37	4P	4.1	525	324	5.3	0.90	4.6	470	290	6.7	1.00	5.1	424	262	6.8	1.10																																																																																																																																																																																																																																																																																																																																																								
0.72	2984	1842	57	2.80			0.95	2276	1405	58	3.65			1.1	1998	1233			58	4.20	0.44	4923	3039	26	0.90	GR107R77 GRF107R77	4P	6.2	348	215	7.2	1.35	GR57R37 GRF57R37	4P			0.44	4915	3034	20	0.90			GR107R77 GRF107R77	4P	7.1	303	187			7.3	1.55	0.67	3219	1987	33	1.40	GR107R77 GRF107R77	4P	8.1			266	164	7.4	1.75	GR57R37 GRF57R37			4P	0.73	2960	1827	34	1.50	0.83	2591	1599	34	1.75	9.4	230	142	7.4			2.05	GR57R37 GRF57R37	4P	4.1	525	324	5.3	0.90	4.6	470	290	6.7	1.00	5.1	424	262	6.8	1.10																																																																																																																																																																																																																																																																																																																																																					
0.95	2276	1405	58	3.65																																																																																																																																																																																																																																																																																																																																																																																																																																																									
1.1	1998	1233	58	4.20			0.44	4923	3039	26	0.90	GR107R77 GRF107R77	4P	6.2	348	215	7.2	1.35	GR57R37 GRF57R37	4P	0.44	4915	3034	20	0.90	GR107R77 GRF107R77	4P	7.1	303	187	7.3	1.55	0.67	3219	1987	33	1.40	GR107R77 GRF107R77	4P	8.1	266	164	7.4	1.75	GR57R37 GRF57R37	4P	0.73	2960	1827	34	1.50	0.83	2591	1599	34	1.75	9.4	230	142	7.4	2.05	GR57R37 GRF57R37	4P	4.1	525	324	5.3	0.90	4.6	470	290	6.7	1.00	5.1	424	262	6.8	1.10																																																																																																																																																																																																																																																																																																																																																																															
0.44	4923	3039	26	0.90			GR107R77 GRF107R77	4P	6.2	348	215			7.2	1.35	GR57R37 GRF57R37	4P																																																																																																																																																																																																																																																																																																																																																																																																																																												
0.44	4915	3034	20	0.90	GR107R77 GRF107R77	4P			7.1	303	187	7.3	1.55																																																																																																																																																																																																																																																																																																																																																																																																																																																
0.67	3219	1987	33	1.40			GR107R77 GRF107R77	4P	8.1	266	164	7.4	1.75	GR57R37 GRF57R37	4P																																																																																																																																																																																																																																																																																																																																																																																																																																														
0.73	2960	1827	34	1.50	0.83	2591			1599	34	1.75	9.4	230			142	7.4	2.05	GR57R37 GRF57R37	4P	4.1	525	324	5.3	0.90	4.6	470	290	6.7	1.00	5.1	424	262	6.8	1.10																																																																																																																																																																																																																																																																																																																																																																																																																										
0.83	2591	1599	34	1.75	9.4	230	142	7.4	2.05	GR57R37 GRF57R37	4P	4.1	525	324	5.3	0.90	4.6	470			290	6.7	1.00	5.1	424	262	6.8	1.10																																																																																																																																																																																																																																																																																																																																																																																																																																	
9.4	230	142	7.4	2.05	GR57R37 GRF57R37	4P	4.1	525	324			5.3	0.90	4.6	470	290	6.7	1.00			5.1	424	262	6.8	1.10																																																																																																																																																																																																																																																																																																																																																																																																																																				
4.6	470	290	6.7	1.00			5.1	424	262			6.8	1.10																																																																																																																																																																																																																																																																																																																																																																																																																																																
5.1	424	262	6.8	1.10																																																																																																																																																																																																																																																																																																																																																																																																																																																									

选型参数表
(恒功率)

Selection Table
(Constant Power)

n_a [r/min]	M_a [Nm]	i	F_{ra} [kN]	f_B	机型号 Type size	极数 Pole	n_a [r/min]	M_a [Nm]	i	F_{ra} [kN]	f_B	机型号 Type size	极数 Pole
0.25kW							0.25kW						
5.4	399	246	7.0	1.15	GR57R37	4P	7.1	319	186.89	7.1	1.30	GR57 GRF57	4P
6.0	356	220	7.1	1.30	GRF57R37		7.7	294	172.17	7.2	1.40		
5.8	369	228	2.9	0.85	GR47R37 GRF47R37	4P	9.0	252	147.92	7.3	1.65		
6.8	316	195	5.1	1.00			10	220	128.77	7.4	1.90		
7.3	295	182	5.2	1.05			11	206	120.63	7.4	2.00		
8.6	249	154	5.4	1.25			12	182	106.58	7.5	2.30		
8.9	243	150	3.2	0.85	GR37R17 GRF37R17	4P	13	169	98.99	7.5	2.50		
10	211	130	4.6	1.00			15	153	89.71	7.5	2.70		
11	201	124	4.8	1.05			17	137	80.55	7.5	3.00		
12	178	110	5.0	1.15			19	118	69.23	7.6	3.50		
14	152	94	5.2	1.35			7.5	302	176.88	5.0	0.90		
8.5	253	156	2.2	0.80			GR37R17 GRF37R17	4P	8.2	278	162.94	5.1	1.00
9.9	219	135	4.5	0.95	9.5	239			139.99	5.3	1.15		
10.5	206	127	4.6	1.00	11	208			121.87	5.5	1.35		
12.8	168	104	5.0	1.25	12	195			114.17	5.5	1.45		
14.8	146	90	5.2	1.40	13	172			100.86	5.6	1.60		
2.2	1027	289.74	27	3.00	GR97 GRF97	8P	14	160	93.68	5.6	1.75		
2.5	906	255.71	27	3.30			16	145	84.90	5.7	1.90		
2.7	855	241.25	27	3.50			17	130	76.23	5.7	2.10		
3.0	766	216.28	27	4.00			19	117	68.54	5.7	2.40		
2.6	878	247.61	19	1.80	GR87 GRF87	8P	21	110	64.21	5.8	2.50		
2.9	771	217.48	19	2.00			23	97	56.73	5.8	2.90		
3.1	732	206.6	19	2.20			25	90	52.69	5.8	3.10		
3.5	647	182.56	19	2.40			28	81	47.75	5.8	3.40		
3.8	590	166.59	11	1.40	GR77 GRF77	8P	9.9	230	134.82	2.5	0.80		
4.4	516	145.67	11	1.60			11	211	123.66	4.3	0.90		
4.6	490	138.39	11	1.70			13	180	105.28	4.8	1.05		
5.3	430	121.42	12	1.90			15	155	90.77	5.1	1.20		
4.4	521	195.24	11	1.55	GR77 GRF77	6P	16	144	84.61	5.1	1.30		
5.1	445	166.59	12	1.80			18	126	73.96	5.3	1.45		
5.8	389	145.67	12	2.10			19	118	69.33	5.4	1.55		
6.8	333	195.24	12	2.30			22	104	61.18	5.5	1.80		
8.0	284	166.59	12	2.70	GR77 GRF77	4P	24	95	55.76	5.5	1.95		
9.1	248	145.67	12	3.10			28	82	48.08	5.6	2.30		
9.6	236	138.39	12	3.20			30	76	44.81	5.5	2.40		
11	207	121.42	12	3.70			34	67	39.17	5.3	2.80		
4.0	560	158.14	7.7	1.10	GR67 GRF67	8P	36	63	36.72	5.2	3.00		
4.6	488	137.67	8.3	1.25			41	55	32.40	5.0	3.40		
5.0	457	128.97	8.5	1.35			16	145	84.78	3.9	0.85		
5.6	404	113.94	8.9	1.50			18	126	74.11	4.0	0.95		
4.3	533	199.81	7.8	1.10	GR67 GRF67	6P	19	118	69.47	4.0	1.00		
4.6	491	184.07	8.2	1.20			22	105	61.30	4.0	1.15		
5.4	422	158.14	8.7	1.40			24	95	55.87	3.9	1.25		
6.2	367	137.67	9.0	1.60			28	82	48.17	3.7	1.45		
6.6	344	128.97	9.1	1.70			30	77	44.90	3.7	1.60		
7.5	304	113.94	9.3	1.95			34	67	39.25	3.5	1.80		
8.0	282	105.83	9.4	2.10			36	63	36.79	3.5	1.90		
6.7	341	199.81	9.1	1.65			41	55	32.47	3.4	2.20		
7.2	314	184.07	9.2	1.80	46	49	28.78	3.2	2.50				
8.4	270	158.14	9.4	2.10	54	42	24.47	3.1	2.90				
9.7	235	137.67	10	2.40	GR67 GRF67	4P	47	48	28.37	3.2	2.50		
10	220	128.97	10	2.50			51	44	26.09	3.2	2.70		
12	194	113.94	10	2.90			60	38	22.32	3.0	3.20		
13	180	105.83	10	3.10			69	33	19.35	2.9	3.70		
14	164	95.91	10	3.40			74	31	18.08	2.8	3.90		
15	147	86.11	10	3.80			85	27	15.63	2.7	4.50		
4.5	499	186.89	6.1	0.90			GR57 GRF57	6P	100	23	13.28	2.6	5.30
4.9	459	172.17	6.7	0.95					112	20	11.86	2.5	5.90
5.7	395	147.92	6.9	1.10					131	17	10.13	2.4	6.60
6.6	344	128.77	7.1	1.30					141	16	9.41	2.3	7.10
7.0	322	120.63	7.2	1.35	163	14			8.16	2.2	7.70		
8.0	284	106.58	7.3	1.55	174	13			7.63	2.2	8.00		
8.6	264	98.99	7.3	1.70	202	11			6.59	2.1	8.80		
					238	9.6			5.60	2.0	9.60		
					266	8.5			5.00	1.9	10		

选型参数表
(恒功率)

Selection Table
(Constant Power)

n_a [r/min]	Ma [Nm]	i	F_{ra} [kN]	f_B	机型号 Type size	极数 Pole	n_a [r/min]	Ma [Nm]	i	F_{ra} [kN]	f_B	机型号 Type size	极数 Pole
0.25kW							0.37kW						
311	7.3	4.27	1.8	11	GR27	4P	0.18	17551	7320	37	0.80	GR147R77 GRF147R77	4P
333	6.8	4.00	1.8	12	GRF27		0.21	15439	6439	58	0.90		
395	5.7	3.37	1.7	13			0.24	13125	5474	61	1.05		
23	98	57.35	0.7	0.80	GR17 GRF17	4P	0.27	11833	4935	63	1.15	GR137R77 GRF137R77	4P
25	92	53.76	0.7	0.85			0.31	10413	4343	65	1.30		
28	81	47.44	1.5	1.00			0.36	8848	3690	67	1.55		
30	75	44.18	1.9	1.05			0.41	7785	3247	68	1.75		
34	66	38.61	2.1	1.20			0.46	6929	2890	68	1.95		
37	62	36.20	2.1	1.30			0.30	10720	4471	39	0.80		
42	54	31.94	2.0	1.45			0.34	9473	3951	49	0.90		
47	48	28.32	2.0	1.65			0.33	9737	4061	46	0.85		
55	41	24.07	1.9	1.90			0.37	8514	3551	51	1.00		
53	41	24.8	1.9	1.85			0.39	8090	3374	52	1.05		
57	38	23.15	1.9	2.00	0.45	7097	2960	53	1.20				
67	33	19.71	1.8	2.30	0.53	6021	2511	55	1.40	GR137R77 GRF137R77	4P		
78	28	16.99	1.7	2.70	0.59	5436	2267	55	1.55				
84	26	15.84	1.7	2.90	0.50	6383	2662	54	1.30	GR137R77 GRF137R77	4P		
96	23	13.84	1.7	3.30	0.55	5793	2416	55	1.45				
102	21	12.98	1.6	3.60	0.64	4978	2076	56	1.70				
116	19	11.45	1.6	3.90	0.72	4417	1842	57	1.90				
131	17	10.15	1.5	4.10	0.95	3369	1405	57	2.50				
154	14	8.63	1.5	4.60	1.1	2956	1233	58	2.85				
176	12	7.55	1.4	4.00	1.2	2628	1096	58	3.20				
189	12	7.04	1.3	4.30	1.4	2295	957	58	3.65				
216	10	6.15	1.3	4.80	0.64	4956	2067	26	0.90			GR107R77 GRF107R77	4P
231	9.5	5.76	1.3	5.00	0.79	4059	1693	30	1.10				
261	8.4	5.09	1.2	5.50	0.86	3716	1550	32	1.20				
295	7.4	4.51	1.2	5.80	0.95	3374	1407	33	1.35				
347	6.3	3.83	1.1	6.40	1.1	2899	1209	34	1.55				
442	5.0	6.15	1.1	9.80	1.3	2530	1055	35	1.75				
472	4.7	5.76	1.0	10.00	0.67	4764	1987	28	0.95				
534	4.1	5.09	1.0	11.00	0.73	4381	1827	30	1.00				
603	3.6	4.51	1.0	12.00	0.83	3834	1599	32	1.15				
710	3.1	3.83	0.9	13.00	0.95	3357	1400	33	1.35				
140	17	6.07	4.6	2.60	1.1	2940	1226	34	1.50	GR107R77 GRF107R77	4P		
164	14	5.18	4.4	5.40	1.4	2251	939	35	2.00				
188	12	4.53	4.2	6.70	1.6	1971	822	35	2.25				
198	12	4.30	4.2	6.80	0.93	3438	1434	4.2	0.90				
219	11	6.07	4.1	3.90	1.1	2894	1207	22	1.10				
257	9.1	5.18	3.9	7.90	1.2	2599	1084	23	1.20				
294	7.9	4.53	3.7	9.90	0.95	3347	1396	15	0.95				
309	7.5	4.30	3.7	10.00	1.1	2944	1228	22	1.05				
353	6.6	3.77	3.5	13.00	1.2	2563	1069	23	1.20				
416	5.6	3.20	3.3	17.00	1.4	2249	938	25	1.40				
460	5.1	2.89	3.2	20.00	1.6	1976	824	26	1.60	GR97R57 GRF97R57	4P		
524	4.4	2.54	3.1	25.00	1.8	1767	737	26	1.75				
554	4.2	2.40	3.0	28.00	2.1	1515	632	26	2.00				
652	3.6	2.04	2.9	35.00	3.1	1033	431	27	3.00				
155	15	5.50	3.6	2.60	3.5	909	379	27	3.45				
168	14	5.07	3.6	2.60	4.0	806	336	27	3.90				
195	12	4.35	3.4	5.80	1.7	1933	806	14	0.85				
224	10	3.79	3.2	6.70	1.8	1817	758	15	0.90				
242	9.6	5.50	3.2	3.90	2.0	1563	652	17	1.05				
262	8.9	5.07	3.1	3.90	1.7	1870	780	15	0.85				
306	7.6	4.35	3.0	8.50	1.9	1650	688	16	1.00				
351	6.6	3.79	2.9	9.90	2.2	1441	601	17	1.10				
375	6.2	3.55	2.8	11.00	2.5	1264	527	18	1.30				
424	5.5	3.14	2.7	11.00	2.9	1098	458	19	1.45				
457	5.1	2.91	2.6	13.00	4.9	645	269	19	2.50				
504	4.6	2.64	2.5	14.00	5.6	568	237	19	2.85				
561	4.1	2.37	2.5	16.00	2.5	1295	540	18	1.25				
652	3.6	2.04	2.3	19.00	2.8	1137	474	19	1.45				
693	3.4	1.92	2.3	20.00	3.3	964	402	19	1.70				
806	2.9	1.65	2.2	23.00	3.7	870	363	19	1.85				

选型参数表
(恒功率)

Selection Table
(Constant Power)

n_a [r/min]	M_a [Nm]	i	F_{ra} [kN]	f_B	机型号 Type size	极数 Pole	n_a [r/min]	M_a [Nm]	i	F_{ra} [kN]	f_B	机型号 Type size	极数 Pole																																																																																																																																																																																																																																																																																																																																																																																																																																																																																
0.37kW							0.37kW																																																																																																																																																																																																																																																																																																																																																																																																																																																																																						
3.1	1045	436	5.1	0.80	GR77R37 GRF77R37	4P	7.1	472	186.89	6.6	0.95	GR57 GRF57	4P																																																																																																																																																																																																																																																																																																																																																																																																																																																																																
3.6	894	373	9.2	0.95			4.1	784	327	10	1.10			4.6	693	289	11	1.25	5.1	623	260	11	1.40	5.9	537	224	11	1.60	6.8	472	197	12	1.80	7.9	405	169	12	2.10	8.9	357	149	12	2.40	17	203	80.55	7.4	2.20	4.5	705	294	5.9	0.90	GR67R37 GRF67R37	4P	19	175	69.23	7.5	2.50	5.1	626	261	7.3	1.00	5.7	561	234	7.9	1.10	6.7	480	200	8.6	1.30	2.6	1301	255.71	27	2.30	GR97 GRF97	8P	21	164	64.85	7.5	2.70	2.7	1227	241.25	27	2.40	3.1	1100	216.28	27	2.70	3.5	948	186.30	27	3.10	GR97 GRF97	6P	23	145	57.29	7.4	3.10	3.1	1093	289.74	27	2.70	3.5	964	255.71	27	3.00	3.7	910	241.25	27	3.25	4.1	816	216.28	27	3.65	3.0	1106	217.48	18	1.40	GR87 GRF87	8P	25	134	53.22	7.2	3.30	3.2	1051	206.60	19	1.50	3.6	929	182.56	19	1.70	GR87 GRF87	6P	28	122	48.23	7.0	3.60	3.6	934	247.61	19	1.65	4.1	820	217.48	19	1.85	4.3	779	206.60	19	1.95	4.9	689	182.56	19	2.25	5.7	588	156.01	19	2.60	6.2	539	143.03	19	2.85	4.5	741	145.67	10	1.10	4.8	704	138.39	10	1.15	5.4	618	121.42	11	1.35	GR77 GRF77	8P	39	85	33.79	5.0	2.80	5.3	628	166.59	11	1.30	6.1	549	145.67	11	1.50	GR77 GRF77	6P	43	79	31.12	4.9	2.80	6.4	522	138.39	11	1.55	6.8	493	195.24	11	1.70	GR77 GRF77	4P	50	67	26.74	4.7	4.40	8.0	420	166.59	12	2.00	9.1	368	145.67	12	2.20	9.6	349	138.39	12	2.30	11	306	121.42	12	2.60	13	260	102.99	12	3.10	14	235	92.97	12	3.50	5.6	596	158.14	6.9	0.95	GR67 GRF67	6P	57	59	23.28	4.5	5.00	6.5	519	137.67	7.8	1.10	6.9	486	128.97	8.1	1.20	7.8	430	113.94	8.6	1.35	6.7	483	199.81	8.1	1.15	GR67 GRF67	4P	61	55	21.81	4.4	5.40	7.2	445	184.07	8.4	1.25	8.4	382	158.14	8.8	1.50	9.7	347	137.67	9.1	1.70	10	326	128.97	9.3	1.80	12	288	113.94	9.4	2.10	13	267	105.83	10	2.20	14	242	95.91	10	2.40	15	217	86.11	10	2.70	18	187	74.17	10	3.20	19	176	69.75	10	3.40	22	155	61.26	13	3.80	23	144	56.89	10	4.10	6.9	486	128.77	6.2	0.90	GR57 GRF57	6P	15	229	90.77	4.0	0.85	7.4	455	120.63	6.7	0.95	8.4	402	106.58	6.9	1.10	9.0	373	98.99	7.0	1.15	16	155	61.30	3.7	0.85	24	141	55.87	3.6	0.90	28	122	48.17	3.5	1.05	30	113	44.90	3.4	1.15	34	99	39.25	3.3	1.30	36	93	36.79	3.3	1.40	41	82	32.47	3.2	1.55	46	73	28.78	3.1	1.75	54	62	24.47	3.0	2.10																																
4.1	784	327	10	1.10			4.6	693	289	11	1.25			5.1	623	260	11	1.40	5.9	537	224	11	1.60	6.8	472	197	12	1.80	7.9	405	169	12	2.10	8.9	357	149	12	2.40	17	203	80.55	7.4	2.20	4.5	705	294	5.9	0.90	GR67R37 GRF67R37	4P	19	175	69.23			7.5	2.50	5.1	626	261	7.3	1.00	5.7	561	234	7.9	1.10	6.7	480	200	8.6	1.30	2.6	1301	255.71	27	2.30	GR97 GRF97	8P	21			164	64.85	7.5	2.70	2.7	1227	241.25	27	2.40	3.1	1100	216.28	27	2.70	3.5	948	186.30	27	3.10	GR97 GRF97			6P	23	145	57.29	7.4	3.10	3.1	1093	289.74	27	2.70	3.5	964	255.71	27	3.00	3.7	910	241.25	27	3.25	4.1	816	216.28	27	3.65	3.0	1106	217.48	18			1.40	GR87 GRF87	8P	25	134	53.22	7.2	3.30	3.2	1051	206.60	19	1.50	3.6	929			182.56	19	1.70	GR87 GRF87	6P	28	122	48.23	7.0	3.60	3.6	934	247.61	19	1.65	4.1	820	217.48	19	1.85	4.3	779	206.60	19	1.95	4.9	689	182.56	19	2.25	5.7	588	156.01	19	2.60	6.2	539	143.03	19	2.85	4.5	741	145.67	10	1.10	4.8	704	138.39	10	1.15			5.4	618	121.42	11	1.35	GR77 GRF77	8P	39	85	33.79	5.0	2.80	5.3	628	166.59			11	1.30	6.1	549	145.67	11	1.50	GR77 GRF77	6P	43	79	31.12	4.9	2.80	6.4			522	138.39	11	1.55	6.8	493	195.24	11	1.70	GR77 GRF77	4P	50	67	26.74	4.7	4.40	8.0	420	166.59	12	2.00	9.1	368	145.67	12	2.20	9.6	349	138.39	12	2.30	11	306	121.42	12	2.60	13	260	102.99	12			3.10	14	235	92.97	12	3.50	5.6	596	158.14	6.9	0.95	GR67 GRF67	6P	57	59	23.28	4.5	5.00	6.5	519	137.67	7.8	1.10	6.9	486			128.97	8.1	1.20	7.8	430	113.94	8.6	1.35	6.7	483	199.81	8.1	1.15	GR67 GRF67	4P	61	55	21.81	4.4	5.40	7.2	445	184.07	8.4	1.25	8.4	382	158.14	8.8	1.50	9.7	347	137.67	9.1	1.70	10	326	128.97	9.3	1.80	12	288	113.94	9.4	2.10	13	267	105.83	10	2.20	14	242	95.91	10	2.40	15	217	86.11	10	2.70	18	187	74.17	10	3.20	19	176	69.75	10	3.40			22	155	61.26	13	3.80	23	144	56.89	10	4.10	6.9	486	128.77	6.2	0.90	GR57 GRF57	6P	15	229	90.77	4.0	0.85	7.4	455	120.63	6.7	0.95	8.4	402	106.58	6.9	1.10	9.0	373	98.99	7.0	1.15	16	155	61.30	3.7	0.85	24	141	55.87	3.6	0.90	28	122	48.17	3.5	1.05	30	113	44.90	3.4	1.15	34	99	39.25	3.3	1.30	36	93	36.79	3.3	1.40	41	82	32.47	3.2	1.55	46	73	28.78	3.1	1.75	54	62	24.47	3.0	2.10															
4.6	693	289	11	1.25			5.1	623	260	11	1.40			5.9	537	224	11	1.60	6.8	472	197	12	1.80	7.9	405	169	12	2.10	8.9	357	149	12	2.40	17	203	80.55	7.4	2.20	4.5	705	294	5.9	0.90	GR67R37 GRF67R37	4P	19	175	69.23			7.5	2.50	5.1			626	261	7.3	1.00	5.7	561	234	7.9	1.10	6.7	480	200	8.6	1.30	2.6	1301	255.71	27	2.30	GR97 GRF97	8P	21			164			64.85	7.5	2.70	2.7	1227	241.25	27	2.40	3.1	1100	216.28	27	2.70	3.5	948	186.30	27	3.10	GR97 GRF97					6P	23	145	57.29	7.4	3.10	3.1	1093	289.74	27	2.70	3.5	964	255.71	27	3.00	3.7	910	241.25	27	3.25	4.1	816	216.28	27	3.65	3.0	1106	217.48	18	1.40	GR87 GRF87			8P	25	134	53.22	7.2	3.30	3.2	1051	206.60	19	1.50	3.6			929	182.56	19			1.70	GR87 GRF87	6P	28	122	48.23	7.0	3.60	3.6	934	247.61	19	1.65	4.1	820	217.48	19	1.85	4.3	779	206.60	19	1.95	4.9	689	182.56	19	2.25	5.7	588	156.01	19	2.60	6.2	539	143.03	19	2.85	4.5	741	145.67	10	1.10	4.8	704	138.39	10	1.15	5.4	618	121.42	11			1.35	GR77 GRF77	8P	39	85	33.79	5.0	2.80	5.3	628	166.59	11	1.30	6.1	549	145.67	11			1.50	GR77 GRF77	6P	43	79	31.12			4.9	2.80	6.4	522	138.39	11	1.55	6.8	493			195.24	11	1.70	GR77 GRF77	4P	50	67	26.74	4.7	4.40	8.0	420	166.59	12	2.00	9.1	368	145.67	12	2.20	9.6	349	138.39	12	2.30	11	306	121.42	12			2.60	13	260	102.99	12	3.10	14	235	92.97	12	3.50			5.6	596	158.14	6.9	0.95	GR67 GRF67	6P	57	59	23.28	4.5	5.00			6.5	519	137.67	7.8	1.10	6.9	486	128.97	8.1	1.20	7.8	430	113.94			8.6	1.35	6.7	483	199.81	8.1	1.15	GR67 GRF67	4P	61	55	21.81	4.4	5.40	7.2	445	184.07	8.4	1.25	8.4	382	158.14	8.8	1.50	9.7	347	137.67	9.1	1.70	10	326	128.97	9.3	1.80	12	288	113.94	9.4	2.10	13	267	105.83	10	2.20	14	242	95.91	10	2.40	15	217	86.11	10	2.70	18			187	74.17	10	3.20	19	176	69.75	10	3.40	22	155	61.26	13	3.80	23			144	56.89	10	4.10	6.9	486	128.77	6.2	0.90	GR57 GRF57	6P	15	229	90.77	4.0	0.85	7.4	455	120.63	6.7	0.95	8.4	402	106.58	6.9	1.10	9.0	373	98.99	7.0	1.15	16	155	61.30	3.7	0.85	24	141	55.87	3.6	0.90	28	122	48.17	3.5	1.05	30	113	44.90	3.4	1.15	34	99	39.25	3.3	1.30	36	93	36.79	3.3	1.40	41	82	32.47	3.2	1.55	46	73	28.78	3.1	1.75	54	62	24.47	3.0	2.10				
5.1	623	260	11	1.40			5.9	537	224	11	1.60			6.8	472	197	12	1.80	7.9	405	169	12	2.10	8.9	357	149	12	2.40	17	203	80.55	7.4	2.20	4.5	705	294	5.9	0.90	GR67R37 GRF67R37	4P	19	175	69.23			7.5	2.50	5.1			626	261	7.3			1.00	5.7	561	234	7.9	1.10	6.7	480	200	8.6	1.30	2.6	1301	255.71	27	2.30	GR97 GRF97	8P	21			164			64.85	7.5	2.70	2.7	1227	241.25	27	2.40	3.1	1100	216.28	27	2.70	3.5	948	186.30	27	3.10	GR97 GRF97	6P	23							145	57.29	7.4	3.10	3.1	1093	289.74	27	2.70	3.5	964	255.71	27	3.00	3.7	910	241.25	27	3.25	4.1	816	216.28	27	3.65	3.0	1106	217.48	18	1.40	GR87 GRF87		8P	25		134	53.22	7.2	3.30	3.2	1051	206.60	19	1.50	3.6	929			182.56	19	1.70			GR87 GRF87			6P	28	122	48.23	7.0	3.60	3.6	934	247.61	19	1.65	4.1	820	217.48	19	1.85	4.3	779	206.60	19	1.95	4.9	689	182.56	19	2.25	5.7	588	156.01	19	2.60	6.2	539	143.03	19	2.85	4.5	741	145.67	10	1.10	4.8	704	138.39	10	1.15	5.4	618	121.42	11	1.35	GR77 GRF77			8P	39	85	33.79	5.0	2.80	5.3	628	166.59	11	1.30	6.1	549	145.67	11	1.50	GR77 GRF77			6P	43	79			31.12	4.9	2.80	6.4	522	138.39	11	1.55	6.8			493	195.24	11			1.70	GR77 GRF77	4P	50	67	26.74	4.7	4.40	8.0	420	166.59	12	2.00	9.1	368	145.67	12	2.20	9.6	349	138.39	12	2.30	11			306	121.42	12	2.60	13	260	102.99	12	3.10	14	235			92.97	12	3.50	5.6	596			158.14	6.9	0.95	GR67 GRF67	6P			57	59	23.28	4.5	5.00	6.5	519	137.67	7.8	1.10	6.9	486	128.97			8.1	1.20	7.8	430	113.94	8.6	1.35			6.7	483	199.81	8.1	1.15	GR67 GRF67	4P	61	55	21.81	4.4	5.40	7.2	445	184.07	8.4	1.25	8.4	382	158.14	8.8	1.50	9.7	347	137.67	9.1	1.70	10	326	128.97	9.3	1.80	12	288	113.94	9.4	2.10	13	267	105.83	10	2.20	14	242	95.91	10			2.40	15	217	86.11	10	2.70	18	187	74.17	10	3.20	19	176	69.75	10			3.40	22	155	61.26	13	3.80	23	144	56.89			10	4.10	6.9	486	128.77	6.2	0.90	GR57 GRF57	6P	15	229	90.77	4.0	0.85	7.4	455	120.63	6.7	0.95	8.4	402	106.58	6.9	1.10	9.0	373	98.99	7.0	1.15	16	155	61.30	3.7	0.85	24	141	55.87	3.6	0.90	28	122	48.17	3.5	1.05	30	113	44.90	3.4	1.15	34	99	39.25	3.3	1.30	36	93	36.79	3.3	1.40	41	82	32.47	3.2	1.55	46	73	28.78	3.1	1.75
5.9	537	224	11	1.60			6.8	472	197	12	1.80			7.9	405	169	12	2.10	8.9	357	149	12	2.40	17	203	80.55	7.4	2.20	4.5	705	294	5.9	0.90	GR67R37 GRF67R37	4P	19	175	69.23			7.5	2.50	5.1			626	261	7.3			1.00	5.7	561	234	7.9	1.10	6.7	480	200	8.6	1.30	2.6	1301	255.71	27	2.30	GR97 GRF97	8P	21	164	64.85			7.5			2.70	2.7	1227	241.25	27	2.40	3.1	1100	216.28	27	2.70	3.5	948	186.30	27	3.10	GR97 GRF97	6P	23	145	57.29			7.4							3.10	3.1	1093	289.74	27	2.70	3.5	964	255.71	27	3.00	3.7	910	241.25	27	3.25	4.1	816	216.28	27	3.65	3.0	1106	217.48	18	1.40	GR87 GRF87	8P	25		134		53.22	7.2	3.30	3.2	1051	206.60	19	1.50	3.6	929	182.56	19	1.70			GR87 GRF87	6P	28							122	48.23	7.0	3.60	3.6	934	247.61	19	1.65	4.1	820	217.48	19	1.85	4.3	779	206.60	19	1.95	4.9	689	182.56	19	2.25	5.7	588	156.01	19	2.60	6.2	539	143.03	19	2.85	4.5	741	145.67	10	1.10	4.8	704	138.39	10	1.15	5.4	618	121.42	11	1.35	GR77 GRF77		8P	39		85	33.79	5.0	2.80	5.3	628	166.59	11	1.30	6.1	549	145.67	11	1.50	GR77 GRF77		6P	43		79	31.12			4.9	2.80	6.4	522	138.39	11	1.55	6.8	493			195.24	11	1.70			GR77 GRF77			4P	50	67	26.74	4.7	4.40	8.0	420	166.59	12	2.00	9.1	368	145.67	12	2.20	9.6	349	138.39	12	2.30	11	306	121.42	12	2.60	13	260	102.99	12	3.10	14	235	92.97			12	3.50	5.6	596	158.14			6.9	0.95	GR67 GRF67					6P	57	59	23.28	4.5	5.00	6.5	519	137.67	7.8	1.10	6.9	486			128.97	8.1	1.20	7.8	430	113.94	8.6			1.35	6.7	483	199.81	8.1			1.15	GR67 GRF67	4P	61	55	21.81	4.4	5.40	7.2	445	184.07	8.4	1.25	8.4	382	158.14	8.8	1.50	9.7	347	137.67	9.1	1.70	10	326	128.97	9.3	1.80	12	288	113.94	9.4	2.10	13	267	105.83	10	2.20	14			242	95.91	10	2.40	15	217	86.11	10	2.70	18	187	74.17	10	3.20	19			176	69.75	10	3.40	22	155	61.26	13	3.80			23	144	56.89	10	4.10	6.9	486			128.77	6.2	0.90	GR57 GRF57	6P	15	229	90.77	4.0	0.85	7.4	455	120.63	6.7	0.95	8.4	402	106.58	6.9	1.10	9.0	373	98.99	7.0	1.15	16	155	61.30	3.7	0.85	24	141	55.87	3.6	0.90	28	122	48.17	3.5	1.05	30	113	44.90	3.4	1.15	34	99	39.25	3.3	1.30	36	93	36.79	3.3	1.40	41	82	32.47	3.2	1.55
6.8	472	197	12	1.80			7.9	405	169	12	2.10			8.9	357	149	12	2.40	17	203	80.55	7.4	2.20	4.5	705	294	5.9	0.90	GR67R37 GRF67R37	4P	19	175	69.23			7.5	2.50	5.1			626	261	7.3			1.00	5.7	561	234	7.9	1.10	6.7	480	200	8.6	1.30	2.6	1301	255.71	27	2.30	GR97 GRF97	8P	21	164	64.85			7.5	2.70	2.7			1227	241.25	27	2.40	3.1	1100	216.28	27	2.70	3.5	948	186.30	27	3.10	GR97 GRF97	6P	23	145	57.29			7.4	3.10	3.1			1093			289.74	27			2.70	3.5	964	255.71	27	3.00	3.7	910	241.25	27	3.25	4.1	816	216.28	27	3.65	3.0	1106	217.48	18	1.40	GR87 GRF87	8P	25	134	53.22			7.2	3.30	3.2	1051	206.60	19	1.50	3.6	929	182.56	19	1.70	GR87 GRF87	6P	28	122	48.23					7.0							3.60	3.6	934	247.61	19	1.65	4.1	820	217.48	19	1.85	4.3	779	206.60	19	1.95	4.9	689	182.56	19	2.25	5.7	588	156.01	19	2.60	6.2	539	143.03	19	2.85	4.5	741	145.67	10	1.10	4.8	704	138.39	10	1.15	5.4	618	121.42	11	1.35	GR77 GRF77	8P	39		85		33.79	5.0	2.80	5.3	628	166.59	11	1.30	6.1	549	145.67	11	1.50	GR77 GRF77	6P	43		79		31.12	4.9	2.80	6.4			522	138.39	11	1.55	6.8	493	195.24	11	1.70			GR77 GRF77	4P	50							67	26.74	4.7	4.40	8.0	420	166.59	12	2.00	9.1	368	145.67	12	2.20	9.6	349	138.39	12	2.30	11	306	121.42	12	2.60	13	260	102.99	12	3.10	14	235	92.97	12	3.50	5.6	596	158.14	6.9	0.95	GR67 GRF67			6P	57							59	23.28	4.5	5.00	6.5	519	137.67	7.8	1.10	6.9	486	128.97			8.1	1.20	7.8	430	113.94	8.6	1.35			6.7	483	199.81	8.1	1.15			GR67 GRF67			4P	61	55	21.81	4.4	5.40	7.2	445	184.07	8.4	1.25	8.4	382	158.14	8.8	1.50	9.7	347	137.67	9.1	1.70	10	326	128.97	9.3	1.80	12	288	113.94	9.4	2.10	13	267	105.83	10	2.20			14	242	95.91	10	2.40	15	217	86.11	10	2.70	18	187	74.17	10	3.20			19	176	69.75	10	3.40	22	155	61.26	13			3.80	23	144	56.89	10	4.10	6.9			486	128.77	6.2			0.90	GR57 GRF57	6P	15	229	90.77	4.0	0.85	7.4	455	120.63	6.7	0.95	8.4	402	106.58	6.9	1.10	9.0	373	98.99	7.0	1.15	16	155	61.30	3.7	0.85	24	141	55.87	3.6	0.90	28	122	48.17	3.5	1.05	30	113	44.90	3.4	1.15	34	99	39.25	3.3	1.30	36	93	36.79	3.3	1.40	41	82
7.9	405	169	12	2.10			8.9	357	149	12	2.40			17	203	80.55	7.4	2.20	4.5	705	294	5.9	0.90	GR67R37 GRF67R37	4P	19	175	69.23			7.5	2.50	5.1			626	261	7.3			1.00	5.7	561	234	7.9	1.10	6.7	480	200	8.6	1.30	2.6	1301	255.71	27	2.30	GR97 GRF97	8P	21	164	64.85			7.5	2.70	2.7			1227	241.25	27	2.40	3.1	1100	216.28	27	2.70	3.5	948	186.30	27	3.10	GR97 GRF97	6P	23	145	57.29			7.4	3.10	3.1			1093	289.74	27			2.70		3.5	964	255.71	27		3.00	3.7	910	241.25	27	3.25	4.1	816	216.28	27	3.65	3.0	1106	217.48	18	1.40	GR87 GRF87	8P	25	134	53.22			7.2	3.30	3.2	1051	206.60	19	1.50	3.6	929	182.56	19	1.70	GR87 GRF87	6P	28	122	48.23			7.0	3.60	3.6					934							247.61	19	1.65	4.1	820	217.48	19	1.85	4.3	779	206.60	19	1.95	4.9	689	182.56	19	2.25	5.7	588	156.01	19	2.60	6.2	539	143.03	19	2.85	4.5	741	145.67	10	1.10	4.8	704	138.39	10	1.15	5.4	618	121.42	11	1.35	GR77 GRF77	8P	39			85	33.79	5.0	2.80	5.3	628	166.59	11	1.30	6.1	549	145.67	11	1.50	GR77 GRF77	6P	43			79	31.12	4.9	2.80	6.4	522	138.39	11			1.55	6.8	493	195.24	11	1.70	GR77 GRF77	4P	50					67							26.74	4.7	4.40	8.0	420	166.59	12	2.00	9.1	368	145.67	12	2.20	9.6	349	138.39	12	2.30	11	306	121.42	12	2.60	13	260	102.99	12	3.10	14	235	92.97	12	3.50	5.6	596	158.14	6.9	0.95	GR67 GRF67		6P	57		59							23.28	4.5	5.00	6.5	519	137.67	7.8	1.10	6.9	486	128.97	8.1			1.20	7.8	430	113.94	8.6	1.35	6.7			483	199.81	8.1	1.15	GR67 GRF67							4P	61	55	21.81	4.4	5.40	7.2	445	184.07	8.4	1.25	8.4	382	158.14	8.8	1.50	9.7	347	137.67	9.1	1.70	10	326	128.97	9.3	1.80	12	288	113.94	9.4	2.10	13	267	105.83	10			2.20	14	242	95.91	10	2.40	15	217	86.11	10	2.70	18	187	74.17	10			3.20	19	176	69.75	10	3.40	22	155	61.26			13	3.80	23	144	56.89	10	4.10			6.9	486	128.77			6.2			0.90	GR57 GRF57	6P	15	229	90.77	4.0	0.85	7.4	455	120.63	6.7	0.95	8.4	402	106.58	6.9	1.10	9.0	373	98.99	7.0	1.15	16	155	61.30	3.7	0.85	24	141	55.87	3.6	0.90	28	122	48.17	3.5	1.05	30	113	44.90	3.4	1.15	34	99	39.25	3.3	1.30	36	93	36.79	3.3
8.9	357	149	12	2.40			17	203	80.55	7.4	2.20			4.5	705	294	5.9	0.90	GR67R37 GRF67R37	4P	19	175	69.23			7.5	2.50	5.1			626	261	7.3			1.00	5.7	561	234	7.9	1.10	6.7	480	200	8.6	1.30	2.6	1301	255.71	27	2.30	GR97 GRF97	8P	21	164	64.85			7.5	2.70	2.7			1227	241.25	27	2.40	3.1	1100	216.28	27	2.70	3.5	948	186.30	27	3.10	GR97 GRF97	6P	23	145	57.29			7.4	3.10	3.1			1093	289.74	27			2.70	3.5	964			255.71	27	3.00	3.7	910	241.25	27	3.25	4.1	816	216.28	27	3.65	3.0	1106	217.48	18	1.40	GR87 GRF87	8P	25	134	53.22			7.2	3.30	3.2	1051	206.60	19	1.50	3.6	929	182.56	19	1.70	GR87 GRF87	6P	28	122	48.23			7.0	3.60	3.6			934	247.61	19					1.65							4.1	820	217.48	19	1.85	4.3	779	206.60	19	1.95	4.9	689	182.56	19	2.25	5.7	588	156.01	19	2.60	6.2	539	143.03	19	2.85	4.5	741	145.67	10	1.10	4.8	704	138.39	10	1.15	5.4	618	121.42	11	1.35	GR77 GRF77	8P	39			85	33.79	5.0	2.80	5.3	628	166.59	11	1.30	6.1	549	145.67	11	1.50	GR77 GRF77	6P	43			79	31.12	4.9	2.80	6.4	522	138.39	11	1.55	6.8	493			195.24	11	1.70	GR77 GRF77	4P	50			67					26.74							4.7	4.40	8.0	420	166.59	12	2.00	9.1	368	145.67	12	2.20	9.6	349	138.39	12	2.30	11	306	121.42	12	2.60	13	260	102.99	12	3.10	14	235	92.97	12	3.50	5.6	596	158.14	6.9	0.95	GR67 GRF67				6P		57		59	23.28				4.5	5.00	6.5	519	137.67	7.8	1.10	6.9	486	128.97	8.1	1.20			7.8	430	113.94	8.6	1.35	6.7	483			199.81	8.1	1.15	GR67 GRF67									4P	61	55	21.81	4.4	5.40	7.2	445	184.07	8.4	1.25	8.4	382	158.14	8.8	1.50	9.7	347	137.67	9.1	1.70	10	326	128.97	9.3	1.80	12	288	113.94	9.4	2.10	13	267	105.83	10	2.20	14	242	95.91	10	2.40	15	217	86.11	10	2.70	18	187	74.17	10	3.20			19	176	69.75	10	3.40	22	155	61.26	13			3.80	23	144	56.89	10	4.10	6.9			486	128.77	6.2			0.90			GR57 GRF57			6P	15	229	90.77	4.0	0.85	7.4	455	120.63	6.7	0.95	8.4	402	106.58	6.9	1.10	9.0	373	98.99	7.0	1.15	16	155	61.30	3.7	0.85	24	141	55.87	3.6	0.90	28	122	48.17	3.5	1.05	30	113	44.90	3.4	1.15	34	99	39.25	3.3	1.30	36	93	36.79
17	203	80.55	7.4	2.20																																																																																																																																																																																																																																																																																																																																																																																																																																																																																									
4.5	705	294	5.9	0.90	GR67R37 GRF67R37	4P	19	175	69.23	7.5	2.50																																																																																																																																																																																																																																																																																																																																																																																																																																																																																		
5.1	626	261	7.3	1.00																																																																																																																																																																																																																																																																																																																																																																																																																																																																																									
5.7	561	234	7.9	1.10																																																																																																																																																																																																																																																																																																																																																																																																																																																																																									
6.7	480	200	8.6	1.30																																																																																																																																																																																																																																																																																																																																																																																																																																																																																									
2.6	1301	255.71	27	2.30	GR97 GRF97	8P	21	164	64.85	7.5	2.70																																																																																																																																																																																																																																																																																																																																																																																																																																																																																		
2.7	1227	241.25	27	2.40																																																																																																																																																																																																																																																																																																																																																																																																																																																																																									
3.1	1100	216.28	27	2.70																																																																																																																																																																																																																																																																																																																																																																																																																																																																																									
3.5	948	186.30	27	3.10	GR97 GRF97	6P	23	145	57.29	7.4	3.10																																																																																																																																																																																																																																																																																																																																																																																																																																																																																		
3.1	1093	289.74	27	2.70																																																																																																																																																																																																																																																																																																																																																																																																																																																																																									
3.5	964	255.71	27	3.00																																																																																																																																																																																																																																																																																																																																																																																																																																																																																									
3.7	910	241.25	27	3.25																																																																																																																																																																																																																																																																																																																																																																																																																																																																																									
4.1	816	216.28	27	3.65																																																																																																																																																																																																																																																																																																																																																																																																																																																																																									
3.0	1106	217.48	18	1.40	GR87 GRF87	8P	25	134	53.22	7.2	3.30																																																																																																																																																																																																																																																																																																																																																																																																																																																																																		
3.2	1051	206.60	19	1.50																																																																																																																																																																																																																																																																																																																																																																																																																																																																																									
3.6	929	182.56	19	1.70	GR87 GRF87	6P	28	122	48.23	7.0	3.60																																																																																																																																																																																																																																																																																																																																																																																																																																																																																		
3.6	934	247.61	19	1.65																																																																																																																																																																																																																																																																																																																																																																																																																																																																																									
4.1	820	217.48	19	1.85																																																																																																																																																																																																																																																																																																																																																																																																																																																																																									
4.3	779	206.60	19	1.95																																																																																																																																																																																																																																																																																																																																																																																																																																																																																									
4.9	689	182.56	19	2.25																																																																																																																																																																																																																																																																																																																																																																																																																																																																																									
5.7	588	156.01	19	2.60																																																																																																																																																																																																																																																																																																																																																																																																																																																																																									
6.2	539	143.03	19	2.85																																																																																																																																																																																																																																																																																																																																																																																																																																																																																									
4.5	741	145.67	10	1.10																																																																																																																																																																																																																																																																																																																																																																																																																																																																																									
4.8	704	138.39	10	1.15																																																																																																																																																																																																																																																																																																																																																																																																																																																																																									
5.4	618	121.42	11	1.35	GR77 GRF77	8P	39	85	33.79	5.0	2.80																																																																																																																																																																																																																																																																																																																																																																																																																																																																																		
5.3	628	166.59	11	1.30																																																																																																																																																																																																																																																																																																																																																																																																																																																																																									
6.1	549	145.67	11	1.50	GR77 GRF77	6P	43	79	31.12	4.9	2.80																																																																																																																																																																																																																																																																																																																																																																																																																																																																																		
6.4	522	138.39	11	1.55																																																																																																																																																																																																																																																																																																																																																																																																																																																																																									
6.8	493	195.24	11	1.70	GR77 GRF77	4P	50	67	26.74	4.7	4.40																																																																																																																																																																																																																																																																																																																																																																																																																																																																																		
8.0	420	166.59	12	2.00																																																																																																																																																																																																																																																																																																																																																																																																																																																																																									
9.1	368	145.67	12	2.20																																																																																																																																																																																																																																																																																																																																																																																																																																																																																									
9.6	349	138.39	12	2.30																																																																																																																																																																																																																																																																																																																																																																																																																																																																																									
11	306	121.42	12	2.60																																																																																																																																																																																																																																																																																																																																																																																																																																																																																									
13	260	102.99	12	3.10																																																																																																																																																																																																																																																																																																																																																																																																																																																																																									
14	235	92.97	12	3.50																																																																																																																																																																																																																																																																																																																																																																																																																																																																																									
5.6	596	158.14	6.9	0.95			GR67 GRF67	6P	57	59	23.28	4.5	5.00																																																																																																																																																																																																																																																																																																																																																																																																																																																																																
6.5	519	137.67	7.8	1.10																																																																																																																																																																																																																																																																																																																																																																																																																																																																																									
6.9	486	128.97	8.1	1.20																																																																																																																																																																																																																																																																																																																																																																																																																																																																																									
7.8	430	113.94	8.6	1.35																																																																																																																																																																																																																																																																																																																																																																																																																																																																																									
6.7	483	199.81	8.1	1.15	GR67 GRF67	4P	61	55	21.81	4.4	5.40																																																																																																																																																																																																																																																																																																																																																																																																																																																																																		
7.2	445	184.07	8.4	1.25																																																																																																																																																																																																																																																																																																																																																																																																																																																																																									
8.4	382	158.14	8.8	1.50																																																																																																																																																																																																																																																																																																																																																																																																																																																																																									
9.7	347	137.67	9.1	1.70																																																																																																																																																																																																																																																																																																																																																																																																																																																																																									
10	326	128.97	9.3	1.80																																																																																																																																																																																																																																																																																																																																																																																																																																																																																									
12	288	113.94	9.4	2.10																																																																																																																																																																																																																																																																																																																																																																																																																																																																																									
13	267	105.83	10	2.20																																																																																																																																																																																																																																																																																																																																																																																																																																																																																									
14	242	95.91	10	2.40																																																																																																																																																																																																																																																																																																																																																																																																																																																																																									
15	217	86.11	10	2.70																																																																																																																																																																																																																																																																																																																																																																																																																																																																																									
18	187	74.17	10	3.20																																																																																																																																																																																																																																																																																																																																																																																																																																																																																									
19	176	69.75	10	3.40																																																																																																																																																																																																																																																																																																																																																																																																																																																																																									
22	155	61.26	13	3.80																																																																																																																																																																																																																																																																																																																																																																																																																																																																																									
23	144	56.89	10	4.10																																																																																																																																																																																																																																																																																																																																																																																																																																																																																									
6.9	486	128.77	6.2	0.90			GR57 GRF57	6P	15	229	90.77	4.0	0.85																																																																																																																																																																																																																																																																																																																																																																																																																																																																																
7.4	455	120.63	6.7	0.95																																																																																																																																																																																																																																																																																																																																																																																																																																																																																									
8.4	402	106.58	6.9	1.10																																																																																																																																																																																																																																																																																																																																																																																																																																																																																									
9.0	373	98.99	7.0	1.15																																																																																																																																																																																																																																																																																																																																																																																																																																																																																									
16	155	61.30	3.7	0.85																																																																																																																																																																																																																																																																																																																																																																																																																																																																																									
24	141	55.87	3.6	0.90																																																																																																																																																																																																																																																																																																																																																																																																																																																																																									
28	122	48.17	3.5	1.05																																																																																																																																																																																																																																																																																																																																																																																																																																																																																									
30	113	44.90	3.4	1.15																																																																																																																																																																																																																																																																																																																																																																																																																																																																																									
34	99	39.25	3.3	1.30																																																																																																																																																																																																																																																																																																																																																																																																																																																																																									
36	93	36.79	3.3	1.40																																																																																																																																																																																																																																																																																																																																																																																																																																																																																									
41	82	32.47	3.2	1.55																																																																																																																																																																																																																																																																																																																																																																																																																																																																																									
46	73	28.78	3.1	1.75																																																																																																																																																																																																																																																																																																																																																																																																																																																																																									
54	62	24.47	3.0	2.10																																																																																																																																																																																																																																																																																																																																																																																																																																																																																									

选型参数表
(恒功率)

Selection Table
(Constant Power)

n_a [r/min]	M_a [Nm]	i	F_{ra} [kN]	f_B	机型号 Type size	极数 Pole	n_a [r/min]	M_a [Nm]	i	F_{ra} [kN]	f_B	机型号 Type size	极数 Pole																																																																																																																																																																																																																																																																																																																																																																																																																																																																																																																																																																																																																																																																										
0.37kW							0.37kW																																																																																																																																																																																																																																																																																																																																																																																																																																																																																																																																																																																																																																																																																
47	72	28.37	3.1	1.80	GR27 GRF27	4P	375	9.2	3.55	2.7	7.60	GRX57 GRXF57	4P																																																																																																																																																																																																																																																																																																																																																																																																																																																																																																																																																																																																																																																																										
51	66	26.09	3.0	1.95			60	56	22.32	2.9	2.30			69	49	19.35	2.8	2.60	74	46	18.08	2.7	2.80	85	39	15.63	2.6	3.20	100	34	13.28	2.5	3.80	34	97	38.61	0.7	0.85	GR17 GRF17	4P	806	4.3	1.65	2.1	16	0.55kW		37	91	36.20	1.2	0.90	42	81	31.94	1.8	1.05	47	71	28.32	1.8	1.15	55	61	24.07	1.7	1.40	53	61	24.8	1.7	1.30	57	57	23.15	1.7	1.45	GR17 GRF17	4P	0.12	44857.9	11871	128	0.80	GR177R97 GRF177R97	4P	67	48	19.71	1.7	1.70	78	42	16.99	1.6	1.95	84	39	15.84	1.6	2.10	96	34	13.84	1.5	2.40	102	32	12.98	1.5	2.60	116	28	11.45	1.5	2.80	131	25	10.15	1.4	3.00	154	21	8.63	1.4	3.30	176	18	7.55	1.3	2.90	189	17	7.04	1.3	3.10	216	15	6.15	1.2	3.40	231	14	5.76	1.2	3.60	261	12	5.09	1.2	3.90	295	11	4.51	1.1	4.20	347	9.4	3.83	1.1	4.60	198	16	13.84	1.3	4.60	GR17 GRF17	2P	0.13	40123.1	10618	128	0.90	GR147R77 GRF147R77	4P	211	15	12.98	1.3	4.90	239	14	11.45	1.3	5.30	270	12	10.15	1.2	5.70	317	10	8.63	1.2	6.30	363	9.0	7.55	1.1	5.50	389	8.4	7.04	1.1	5.80	446	7.3	6.15	1.0	6.60	476	6.8	5.76	1.0	6.90	538	6.0	5.09	1.0	7.50	608	5.4	4.51	0.9	8.00	715	4.5	3.83	0.9	8.80	172	20	5.18	4.3	3.70	GRX67 GRXF67	6P	0.24	21508.8	5692	128	1.70	GR167R97 GRF167R97	4P	196	18	4.53	4.2	4.60	207	17	4.30	4.1	4.70	236	15	3.77	3.9	5.90	219	16	6.07	4.0	2.80	GRX67 GRXF67	4P	0.26	18522	5431	114	0.95	GR147R77 GRF147R77	4P	257	13	5.18	3.8	5.60	294	12	4.53	3.6	7.10	309	11	4.30	3.6	7.30	353	10	3.77	3.4	9.00	416	8	3.20	3.2	12	460	7	2.89	3.1	14	524	7	2.54	3.0	18	554	6	2.40	3.0	20	652	5	2.04	2.8	26	205	17	4.35	3.3	4.00	GRX57 GRXF57	6P	0.27	19101.7	5055	128	1.90	GR137R77 GRF137R77	4P	235	15	3.79	3.2	4.60	251	14	3.55	3.1	5.00	242	14	5.50	3.1	2.80	GRX57 GRXF57	4P	0.28	16250	4935	25	0.80	GR107R77 GRF107R77	4P	262	13	5.07	3.0	2.80	306	11	4.35	2.9	6.10	351	9.8	3.79	2.8	7.10	0.23	20721	6076	114	0.85	GR97R57 GRF97R57	4P	0.30	15991	4689	114	1.10	0.33	14201	4164	114	1.25	0.55	8662	2540	66	1.50	0.63	7554	2215	67	1.70	0.71	6643	1948	68	1.95	0.82	5784	1696	69	2.25	0.91	5208	1527	69	2.50	1.0	4543	1332	70	2.85	1.2	3987	1169	70	3.25	0.55	8563	2511	49	0.95	GR107R77 GRF107R77	4P	0.52	9078	2662	47	0.90	0.58	8239	2416	50	0.95	0.67	7080	2076	52	1.10	0.75	6282	1842	54	1.25	0.87	5457	1600	55	1.45	0.99	4792	1405	56	1.65	1.1	4205	1233	56	1.90	1.3	3738	1096	57	2.15	1.5	3264	957	57	2.45	1.7	2851	836	57	2.80	0.99	4798	1407	22	0.90	GR107R77 GRF107R77	4P	1.1	4123	1209	29	1.05	1.3	3598	1055	31	1.20	1.5	3134	919	33	1.35	1.7	2779	815	34	1.55	1.9	2445	717	34	1.75	2.2	2135	626	35	2.00	0.99	4774	1400	24	0.90	GR107R77 GRF107R77	4P	1.1	4181	1226	29	1.05	1.3	3765	1104	31	1.15	1.5	3202	939	33	1.35	1.7	2803	822	34	1.55	1.5	3199	938	4.4	0.95	1.7	2810	824	21	1.05	1.9	2513	737	23	1.20	2.2	2155	632	24	1.40	2.5	1910	560	25	1.55	2.9	1651	484	26	1.80	3.2	1470	431	26	2.00	3.7	1293	379	27	2.30																																																																															
60	56	22.32	2.9	2.30			69	49	19.35	2.8	2.60			74	46	18.08	2.7	2.80	85	39	15.63	2.6	3.20	100	34	13.28	2.5	3.80	34	97	38.61	0.7	0.85	GR17 GRF17	4P	806	4.3	1.65			2.1	16	0.55kW		37			91	36.20	1.2	0.90	42	81	31.94	1.8	1.05	47	71	28.32	1.8	1.15	55	61	24.07	1.7	1.40	53	61	24.8	1.7	1.30	57	57	23.15	1.7	1.45	GR17 GRF17			4P	0.12	44857.9	11871	128			0.80	GR177R97 GRF177R97	4P	67	48	19.71	1.7	1.70	78	42	16.99	1.6	1.95	84	39	15.84	1.6	2.10	96	34	13.84	1.5	2.40	102	32	12.98	1.5	2.60	116	28	11.45	1.5	2.80	131	25	10.15	1.4	3.00	154	21	8.63	1.4	3.30	176	18	7.55	1.3	2.90	189	17	7.04	1.3	3.10	216	15	6.15	1.2	3.40	231	14	5.76	1.2	3.60	261	12	5.09	1.2	3.90	295	11	4.51	1.1	4.20	347	9.4	3.83	1.1	4.60	198	16			13.84	1.3	4.60	GR17 GRF17	2P			0.13	40123.1	10618	128	0.90	GR147R77 GRF147R77	4P	211	15	12.98	1.3	4.90	239	14	11.45	1.3	5.30	270	12	10.15	1.2	5.70	317	10	8.63	1.2	6.30	363	9.0	7.55	1.1	5.50	389	8.4	7.04	1.1	5.80	446	7.3	6.15	1.0	6.60	476	6.8	5.76	1.0	6.90	538	6.0	5.09	1.0	7.50	608	5.4	4.51	0.9	8.00	715	4.5	3.83			0.9	8.80	172	20	5.18			4.3	3.70	GRX67 GRXF67	6P	0.24	21508.8	5692	128	1.70	GR167R97 GRF167R97	4P	196	18	4.53	4.2	4.60	207	17	4.30	4.1			4.70	236	15	3.77	3.9			5.90	219	16	6.07	4.0	2.80	GRX67 GRXF67	4P	0.26	18522	5431	114	0.95	GR147R77 GRF147R77	4P	257	13	5.18	3.8	5.60	294	12	4.53	3.6	7.10	309	11	4.30	3.6	7.30	353	10	3.77	3.4	9.00	416	8	3.20	3.2	12	460	7	2.89	3.1	14	524	7	2.54	3.0	18			554	6	2.40	3.0	20			652	5	2.04	2.8	26	205	17	4.35	3.3	4.00	GRX57 GRXF57	6P	0.27	19101.7	5055			128	1.90	GR137R77 GRF137R77	4P	235			15	3.79	3.2	4.60	251	14	3.55	3.1	5.00	242	14	5.50	3.1	2.80	GRX57 GRXF57	4P	0.28	16250	4935	25			0.80	GR107R77 GRF107R77	4P	262	13	5.07	3.0	2.80	306	11	4.35	2.9	6.10	351	9.8	3.79	2.8	7.10	0.23	20721	6076	114	0.85	GR97R57 GRF97R57	4P	0.30	15991	4689	114	1.10	0.33	14201	4164	114	1.25	0.55	8662	2540	66	1.50	0.63	7554	2215	67	1.70	0.71	6643	1948	68	1.95			0.82	5784	1696	69	2.25	0.91	5208	1527	69	2.50	1.0	4543	1332	70	2.85	1.2	3987	1169	70	3.25	0.55	8563	2511	49	0.95	GR107R77 GRF107R77	4P	0.52	9078	2662	47	0.90	0.58	8239	2416	50	0.95	0.67	7080	2076	52	1.10	0.75	6282	1842	54	1.25	0.87	5457	1600	55	1.45	0.99	4792	1405			56	1.65	1.1	4205	1233	56	1.90	1.3	3738	1096	57	2.15	1.5	3264	957	57	2.45	1.7	2851	836	57	2.80	0.99	4798	1407	22	0.90	GR107R77 GRF107R77	4P	1.1	4123	1209	29	1.05	1.3			3598	1055	31	1.20	1.5	3134	919	33	1.35	1.7	2779	815	34	1.55	1.9	2445	717	34	1.75	2.2	2135	626	35	2.00	0.99	4774	1400	24	0.90	GR107R77 GRF107R77	4P	1.1	4181	1226	29	1.05	1.3	3765	1104	31	1.15	1.5	3202	939	33	1.35	1.7	2803	822	34	1.55	1.5	3199	938	4.4	0.95	1.7	2810	824	21	1.05	1.9	2513	737	23	1.20	2.2	2155	632	24	1.40	2.5	1910	560	25	1.55	2.9	1651	484	26	1.80	3.2	1470	431	26	2.00	3.7	1293	379	27	2.30																																																
69	49	19.35	2.8	2.60			74	46	18.08	2.7	2.80			85	39	15.63	2.6	3.20	100	34	13.28	2.5	3.80	34	97	38.61	0.7	0.85	GR17 GRF17	4P	806	4.3	1.65			2.1	16	0.55kW				37			91			36.20	1.2	0.90	42	81	31.94	1.8	1.05	47	71	28.32	1.8	1.15	55	61	24.07	1.7	1.40	53	61	24.8	1.7	1.30	57	57	23.15	1.7	1.45	GR17 GRF17					4P	0.12	44857.9	11871			128			0.80	GR177R97 GRF177R97	4P	67	48	19.71	1.7	1.70	78	42	16.99	1.6	1.95	84	39	15.84	1.6	2.10	96	34	13.84	1.5	2.40	102	32	12.98	1.5	2.60	116	28	11.45	1.5	2.80	131	25	10.15	1.4	3.00	154	21	8.63	1.4	3.30	176	18	7.55	1.3	2.90	189	17	7.04	1.3	3.10	216	15	6.15	1.2	3.40	231	14	5.76	1.2	3.60	261	12	5.09	1.2	3.90	295	11	4.51	1.1	4.20	347	9.4	3.83	1.1			4.60	198	16					13.84	1.3	4.60	GR17 GRF17	2P			0.13	40123.1	10618	128	0.90	GR147R77 GRF147R77	4P	211	15	12.98	1.3	4.90	239	14	11.45	1.3	5.30	270	12	10.15	1.2	5.70	317	10	8.63	1.2	6.30	363	9.0	7.55	1.1	5.50	389	8.4	7.04	1.1	5.80	446	7.3	6.15	1.0	6.60	476	6.8	5.76	1.0	6.90	538	6.0	5.09	1.0	7.50	608			5.4	4.51	0.9	8.00	715			4.5	3.83			0.9	8.80	172	20	5.18			4.3	3.70	GRX67 GRXF67	6P	0.24	21508.8	5692	128	1.70			GR167R97 GRF167R97	4P	196	18	4.53			4.2	4.60	207	17	4.30	4.1			4.70	236	15	3.77	3.9			5.90	219	16	6.07	4.0	2.80	GRX67 GRXF67	4P	0.26	18522	5431	114	0.95	GR147R77 GRF147R77	4P	257	13	5.18	3.8	5.60	294	12	4.53	3.6	7.10	309	11	4.30	3.6	7.30	353	10	3.77	3.4	9.00			416	8	3.20	3.2	12			460	7	2.89	3.1	14	524	7	2.54	3.0	18			554	6	2.40			3.0	20			652			5	2.04	2.8	26	205	17	4.35	3.3	4.00	GRX57 GRXF57	6P	0.27	19101.7	5055			128	1.90	GR137R77 GRF137R77	4P			235			15	3.79	3.2	4.60	251	14	3.55	3.1	5.00	242	14	5.50	3.1	2.80	GRX57 GRXF57	4P	0.28	16250	4935	25			0.80	GR107R77 GRF107R77	4P	262	13	5.07	3.0	2.80	306	11	4.35	2.9	6.10	351	9.8	3.79	2.8	7.10	0.23	20721	6076	114	0.85	GR97R57 GRF97R57	4P			0.30	15991	4689	114	1.10	0.33	14201	4164	114	1.25	0.55	8662	2540	66	1.50	0.63	7554	2215	67	1.70	0.71	6643	1948	68	1.95			0.82	5784	1696	69	2.25	0.91	5208	1527	69	2.50	1.0	4543	1332	70	2.85	1.2	3987	1169	70	3.25	0.55	8563	2511	49	0.95	GR107R77 GRF107R77	4P	0.52			9078	2662	47	0.90	0.58	8239	2416	50	0.95	0.67	7080	2076	52	1.10	0.75	6282	1842	54	1.25	0.87	5457	1600	55	1.45	0.99	4792	1405			56	1.65	1.1	4205	1233	56			1.90	1.3	3738	1096	57	2.15	1.5	3264	957	57	2.45	1.7	2851	836	57	2.80	0.99	4798	1407	22	0.90	GR107R77 GRF107R77	4P	1.1	4123	1209	29	1.05	1.3			3598	1055	31	1.20	1.5	3134	919	33	1.35	1.7	2779	815	34	1.55	1.9	2445	717	34	1.75	2.2	2135	626	35	2.00	0.99	4774	1400	24	0.90	GR107R77 GRF107R77	4P	1.1	4181	1226	29	1.05	1.3	3765	1104	31	1.15	1.5	3202	939	33	1.35	1.7	2803	822	34	1.55	1.5	3199	938	4.4	0.95	1.7	2810	824	21	1.05	1.9	2513	737	23	1.20	2.2	2155	632	24	1.40	2.5	1910	560	25	1.55	2.9	1651	484	26	1.80	3.2	1470	431	26	2.00	3.7	1293	379	27	2.30																	
74	46	18.08	2.7	2.80			85	39	15.63	2.6	3.20			100	34	13.28	2.5	3.80	34	97	38.61	0.7	0.85	GR17 GRF17	4P	806	4.3	1.65			2.1	16	0.55kW				37					91			36.20			1.2	0.90	42	81	31.94	1.8	1.05	47	71	28.32	1.8	1.15	55	61	24.07	1.7	1.40	53	61	24.8	1.7	1.30	57	57	23.15	1.7	1.45	GR17 GRF17							4P	0.12	44857.9			11871			128			0.80	GR177R97 GRF177R97	4P	67	48	19.71	1.7	1.70	78	42	16.99	1.6	1.95	84	39	15.84	1.6	2.10	96	34	13.84	1.5	2.40	102	32	12.98	1.5	2.60	116	28	11.45	1.5	2.80	131	25	10.15	1.4	3.00	154	21	8.63	1.4	3.30	176	18	7.55	1.3	2.90	189	17	7.04	1.3	3.10	216	15	6.15	1.2	3.40	231	14	5.76	1.2	3.60	261	12	5.09	1.2	3.90	295	11	4.51	1.1	4.20	347			9.4	3.83	1.1					4.60	198	16					13.84	1.3	4.60	GR17 GRF17	2P			0.13	40123.1	10618	128	0.90	GR147R77 GRF147R77	4P	211	15	12.98	1.3	4.90	239	14	11.45	1.3	5.30	270	12	10.15	1.2	5.70	317	10	8.63	1.2	6.30	363	9.0	7.55	1.1	5.50	389	8.4	7.04	1.1	5.80	446	7.3	6.15	1.0	6.60	476	6.8	5.76	1.0			6.90	538	6.0	5.09	1.0			7.50	608			5.4	4.51	0.9	8.00	715			4.5	3.83			0.9	8.80	172	20	5.18					4.3	3.70	GRX67 GRXF67			6P	0.24	21508.8	5692	128	1.70			GR167R97 GRF167R97	4P	196	18	4.53			4.2	4.60	207	17	4.30	4.1			4.70	236	15	3.77	3.9			5.90	219	16	6.07	4.0	2.80	GRX67 GRXF67	4P	0.26	18522	5431	114	0.95	GR147R77 GRF147R77	4P	257	13	5.18	3.8	5.60	294	12	4.53	3.6	7.10	309	11	4.30	3.6	7.30	353	10	3.77	3.4	9.00	416	8	3.20	3.2			12	460	7			2.89	3.1			14			524	7	2.54	3.0	18	554	6	2.40	3.0			20	652	5			2.04	2.8					26			205	17	4.35	3.3	4.00	GRX57 GRXF57	6P	0.27	19101.7	5055	128	1.90	GR137R77 GRF137R77	4P			235	15	3.79	3.2			4.60			251	14	3.55	3.1	5.00	242	14	5.50	3.1	2.80	GRX57 GRXF57	4P	0.28	16250	4935	25	0.80	GR107R77 GRF107R77	4P	262					13	5.07	3.0	2.80	306	11	4.35	2.9	6.10	351	9.8	3.79	2.8	7.10	0.23	20721	6076	114	0.85	GR97R57 GRF97R57	4P	0.30	15991	4689	114			1.10	0.33	14201	4164	114	1.25	0.55	8662	2540	66	1.50	0.63	7554	2215	67	1.70	0.71	6643	1948	68	1.95	0.82	5784	1696	69			2.25			0.91	5208	1527	69	2.50	1.0	4543	1332	70	2.85	1.2	3987	1169	70	3.25	0.55	8563	2511	49	0.95	GR107R77 GRF107R77	4P	0.52	9078	2662	47	0.90			0.58	8239	2416	50	0.95	0.67			7080	2076	52	1.10	0.75	6282	1842	54	1.25	0.87	5457	1600	55	1.45	0.99	4792	1405	56	1.65	1.1	4205			1233	56	1.90	1.3	3738	1096			57	2.15	1.5	3264	957	57	2.45	1.7	2851	836	57	2.80	0.99	4798	1407	22	0.90	GR107R77 GRF107R77	4P	1.1	4123	1209	29	1.05	1.3	3598	1055	31	1.20			1.5	3134	919	33	1.35	1.7	2779	815	34	1.55	1.9	2445	717	34	1.75	2.2	2135	626	35	2.00	0.99	4774	1400	24	0.90	GR107R77 GRF107R77	4P	1.1	4181	1226	29	1.05	1.3	3765	1104	31	1.15	1.5	3202	939	33	1.35	1.7	2803	822	34	1.55	1.5	3199	938	4.4	0.95	1.7	2810	824	21	1.05	1.9	2513	737	23	1.20	2.2	2155	632	24	1.40	2.5	1910	560	25	1.55	2.9	1651	484	26	1.80
85	39	15.63	2.6	3.20																																																																																																																																																																																																																																																																																																																																																																																																																																																																																																																																																																																																																																																																																			
100	34	13.28	2.5	3.80	34	97	38.61	0.7	0.85	GR17 GRF17	4P	806	4.3	1.65	2.1	16	0.55kW		37	91	36.20	1.2	0.90			42	81	31.94			1.8	1.05					47					71			28.32			1.8	1.15	55	61	24.07	1.7	1.40	53	61	24.8	1.7	1.30	57	57	23.15	1.7	1.45	GR17 GRF17	4P	0.12	44857.9	11871	128	0.80	GR177R97 GRF177R97	4P	67									48	19.71	1.7	1.70	78	42	16.99	1.6			1.95			84	39	15.84	1.6	2.10	96	34	13.84	1.5	2.40	102	32	12.98	1.5	2.60	116	28	11.45	1.5	2.80	131	25	10.15	1.4	3.00	154	21	8.63	1.4	3.30	176	18	7.55	1.3	2.90	189	17	7.04	1.3	3.10	216	15	6.15	1.2	3.40	231	14	5.76	1.2	3.60	261	12	5.09	1.2	3.90	295	11	4.51	1.1	4.20	347	9.4	3.83	1.1	4.60	198	16	13.84	1.3	4.60	GR17 GRF17			2P	0.13	40123.1					10618	128	0.90					GR147R77 GRF147R77	4P	211					15	12.98	1.3	4.90	239			14	11.45	1.3	5.30	270	12	10.15	1.2	5.70	317	10	8.63	1.2	6.30	363	9.0	7.55	1.1	5.50	389	8.4	7.04	1.1	5.80	446	7.3	6.15	1.0	6.60	476	6.8	5.76	1.0	6.90	538	6.0	5.09	1.0	7.50	608	5.4	4.51	0.9	8.00	715	4.5	3.83	0.9	8.80	172	20	5.18	4.3	3.70	GRX67 GRXF67	6P	0.24	21508.8	5692	128	1.70			GR167R97 GRF167R97	4P	196	18	4.53					4.2	4.60					207	17	4.30	4.1	4.70					236	15	3.77			3.9	5.90	219	16	6.07	4.0			2.80	GRX67 GRXF67	4P	0.26	18522			5431	114	0.95	GR147R77 GRF147R77	4P	257			13	5.18	3.8	5.60	294			12	4.53	3.6	7.10	309	11	4.30	3.6	7.30	353	10	3.77	3.4	9.00	416	8	3.20	3.2	12	460	7	2.89	3.1	14	524	7	2.54	3.0	18			554	6	2.40	3.0	20			652	5	2.04	2.8	26	205	17	4.35	3.3	4.00	GRX57 GRXF57	6P	0.27	19101.7			5055	128	1.90	GR137R77 GRF137R77			4P			235	15	3.79	3.2	4.60			251	14	3.55	3.1	5.00					242	14	5.50	3.1			2.80			GRX57 GRXF57	4P	0.28	16250	4935	25	0.80	GR107R77 GRF107R77	4P	262			13	5.07	3.0	2.80	306			11					4.35	2.9	6.10	351	9.8	3.79	2.8	7.10	0.23	20721	6076	114	0.85	GR97R57 GRF97R57	4P	0.30	15991	4689	114			1.10	0.33	14201	4164			114	1.25	0.55	8662	2540	66	1.50	0.63	7554	2215	67	1.70	0.71	6643	1948	68	1.95	0.82	5784	1696	69	2.25	0.91	5208	1527			69			2.50	1.0	4543	1332	70	2.85	1.2	3987	1169	70	3.25	0.55	8563	2511	49	0.95	GR107R77 GRF107R77	4P	0.52	9078			2662	47	0.90	0.58	8239			2416	50	0.95	0.67	7080	2076			52	1.10	0.75	6282	1842	54	1.25	0.87	5457	1600	55	1.45	0.99	4792	1405	56	1.65	1.1	4205	1233	56			1.90	1.3	3738	1096	57	2.15			1.5	3264	957	57	2.45	1.7	2851	836	57	2.80	0.99	4798	1407	22	0.90	GR107R77 GRF107R77	4P			1.1	4123	1209	29	1.05	1.3	3598	1055	31	1.20			1.5	3134	919	33	1.35	1.7	2779	815	34	1.55	1.9	2445	717	34	1.75	2.2	2135	626	35	2.00	0.99	4774	1400	24	0.90			GR107R77 GRF107R77	4P	1.1	4181	1226	29	1.05	1.3	3765	1104	31	1.15	1.5	3202	939	33	1.35	1.7	2803	822	34	1.55	1.5	3199	938	4.4	0.95	1.7	2810	824	21	1.05	1.9	2513	737	23	1.20	2.2	2155	632	24	1.40	2.5	1910	560	25	1.55	2.9	1651	484
34	97	38.61	0.7	0.85	GR17 GRF17	4P	806	4.3	1.65			2.1	16	0.55kW																																																																																																																																																																																																																																																																																																																																																																																																																																																																																																																																																																																																																																																																									
37	91	36.20	1.2	0.90			42	81	31.94			1.8	1.05			47			71	28.32	1.8	1.15	55			61	24.07	1.7			1.40	53		61	24.8		1.7		1.30	57		57	23.15	1.7	1.45	GR17 GRF17	4P	0.12	44857.9	11871	128	0.80	GR177R97 GRF177R97	4P	67	48	19.71	1.7	1.70	78	42	16.99	1.6	1.95			84	39	15.84	1.6	2.10			96									34	13.84	1.5	2.40	102	32	12.98	1.5	2.60	116	28	11.45	1.5	2.80	131	25	10.15	1.4	3.00	154	21	8.63	1.4	3.30	176	18	7.55	1.3	2.90	189	17	7.04	1.3	3.10	216	15	6.15	1.2	3.40	231	14	5.76	1.2	3.60	261	12	5.09	1.2	3.90	295	11	4.51	1.1	4.20	347	9.4	3.83	1.1	4.60	198	16	13.84	1.3	4.60	GR17 GRF17	2P	0.13	40123.1	10618	128	0.90	GR147R77 GRF147R77	4P	211	15	12.98	1.3	4.90	239	14	11.45	1.3	5.30					270	12					10.15	1.2	5.70							317					10	8.63	1.2	6.30	363			9.0	7.55	1.1	5.50	389	8.4	7.04	1.1	5.80	446	7.3	6.15	1.0	6.60	476	6.8	5.76	1.0	6.90	538	6.0	5.09	1.0	7.50	608	5.4	4.51	0.9	8.00	715	4.5	3.83	0.9	8.80	172	20	5.18	4.3	3.70	GRX67 GRXF67	6P	0.24	21508.8	5692	128	1.70	GR167R97 GRF167R97	4P	196	18	4.53	4.2	4.60	207			17	4.30	4.1	4.70	236	15	3.77			3.9	5.90	219			16	6.07	4.0	2.80	GRX67 GRXF67			4P	0.26	18522	5431	114	0.95			GR147R77 GRF147R77	4P	257	13	5.18			3.8	5.60	294	12	4.53	3.6			7.10			309	11			4.30	3.6	7.30			353			10	3.77	3.4	9.00	416			8	3.20	3.2	12	460	7	2.89	3.1	14	524	7	2.54	3.0	18	554	6	2.40	3.0	20	652	5	2.04	2.8	26	205	17	4.35	3.3	4.00	GRX57 GRXF57	6P	0.27	19101.7	5055	128	1.90	GR137R77 GRF137R77	4P	235	15	3.79	3.2	4.60	251	14	3.55	3.1	5.00			242	14			5.50	3.1	2.80		GRX57 GRXF57	4P				0.28	16250	4935	25	0.80	GR107R77 GRF107R77	4P	262	13	5.07	3.0	2.80	306	11			4.35	2.9	6.10	351			9.8					3.79	2.8	7.10	0.23	20721			6076			114	0.85	GR97R57 GRF97R57	4P	0.30			15991					4689	114	1.10	0.33	14201	4164	114	1.25	0.55	8662	2540	66	1.50			0.63	7554	2215	67			1.70	0.71	6643	1948			68	1.95	0.82	5784	1696	69	2.25	0.91	5208	1527	69	2.50	1.0	4543	1332	70	2.85	1.2	3987	1169	70	3.25	0.55	8563	2511			49	0.95	GR107R77 GRF107R77	4P	0.52	9078	2662	47	0.90	0.58	8239	2416	50	0.95	0.67	7080	2076	52	1.10			0.75	6282			1842	54	1.25	0.87	5457			1600	55	1.45	0.99	4792	1405	56	1.65	1.1	4205	1233	56	1.90	1.3	3738	1096	57	2.15	1.5	3264	957	57	2.45	1.7	2851	836	57	2.80	0.99			4798	1407	22	0.90	GR107R77 GRF107R77	4P			1.1	4123	1209	29	1.05	1.3	3598	1055	31	1.20	1.5	3134	919	33	1.35					1.7	2779	815	34	1.55	1.9	2445	717	34	1.75			2.2	2135	626	35	2.00	0.99	4774	1400	24	0.90	GR107R77 GRF107R77	4P	1.1	4181	1226	29	1.05	1.3	3765	1104	31	1.15	1.5	3202	939					33	1.35	1.7	2803	822	34	1.55	1.5	3199	938	4.4	0.95	1.7	2810	824	21	1.05	1.9	2513	737	23	1.20	2.2	2155	632	24	1.40	2.5	1910	560	25	1.55	2.9	1651	484	26	1.80	3.2	1470	431	26	2.00	3.7	1293	379	27	2.30	
42	81	31.94	1.8	1.05			47	71	28.32			1.8	1.15			55			61	24.07	1.7	1.40	53			61	24.8	1.7	1.30	57	57	23.15		1.7	1.45		GR17 GRF17	4P	0.12	44857.9	11871	128	0.80	GR177R97 GRF177R97	4P			67	48	19.71	1.7	1.70			78	42	16.99	1.6	1.95	84	39	15.84	1.6	2.10			96	34	13.84	1.5	2.40			102									32	12.98	1.5	2.60	116	28	11.45	1.5	2.80	131	25	10.15	1.4	3.00	154	21	8.63	1.4	3.30	176	18	7.55	1.3	2.90	189	17	7.04	1.3	3.10	216	15	6.15	1.2	3.40	231	14	5.76	1.2	3.60	261	12	5.09	1.2	3.90	295	11	4.51	1.1	4.20	347	9.4	3.83	1.1	4.60	198	16	13.84	1.3	4.60	GR17 GRF17	2P	0.13	40123.1	10618			128	0.90	GR147R77 GRF147R77	4P	211			15	12.98	1.3	4.90	239	14	11.45	1.3	5.30	270					12	10.15					1.2	5.70	317							10					8.63	1.2	6.30	363	9.0			7.55	1.1	5.50	389	8.4	7.04	1.1	5.80	446	7.3	6.15	1.0	6.60	476	6.8	5.76	1.0	6.90	538	6.0	5.09	1.0	7.50	608	5.4	4.51	0.9	8.00	715	4.5	3.83	0.9	8.80	172	20	5.18	4.3	3.70	GRX67 GRXF67			6P	0.24	21508.8	5692	128			1.70	GR167R97 GRF167R97	4P	196	18	4.53			4.2	4.60	207	17	4.30	4.1	4.70			236	15	3.77			3.9	5.90	219	16					6.07	4.0	2.80	GRX67 GRXF67	4P					0.26	18522	5431			114	0.95	GR147R77 GRF147R77	4P	257	13			5.18			3.8	5.60			294	12	4.53			3.6			7.10	309	11	4.30	3.6			7.30	353	10	3.77	3.4	9.00	416	8	3.20	3.2	12	460	7	2.89	3.1	14	524	7	2.54	3.0	18	554	6	2.40	3.0	20	652	5	2.04			2.8	26	205	17	4.35			3.3	4.00	GRX57 GRXF57	6P	0.27	19101.7	5055	128	1.90	GR137R77 GRF137R77	4P	235	15	3.79	3.2	4.60	251	14	3.55	3.1			5.00	242	14	5.50	3.1	2.80	GRX57 GRXF57	4P			0.28	16250	4935	25	0.80	GR107R77 GRF107R77	4P			262	13	5.07	3.0	2.80	306	11					4.35	2.9	6.10	351	9.8			3.79			2.8	7.10			0.23			20721					6076	114	0.85	GR97R57 GRF97R57	4P	0.30	15991	4689	114	1.10	0.33	14201	4164			114	1.25	0.55	8662			2540	66	1.50	0.63			7554	2215	67	1.70	0.71	6643	1948	68	1.95	0.82	5784	1696	69	2.25	0.91	5208	1527	69	2.50	1.0	4543	1332	70	2.85	1.2			3987	1169			70	3.25	0.55	8563	2511	49	0.95	GR107R77 GRF107R77	4P	0.52	9078	2662	47	0.90	0.58			8239	2416			50	0.95	0.67	7080	2076	52	1.10	0.75	6282	1842	54	1.25	0.87	5457	1600	55	1.45	0.99	4792	1405	56	1.65	1.1	4205	1233	56	1.90	1.3	3738	1096	57	2.15	1.5	3264	957	57			2.45	1.7	2851	836			57	2.80	0.99	4798	1407	22	0.90	GR107R77 GRF107R77	4P	1.1	4123	1209	29	1.05	1.3	3598	1055					31	1.20	1.5	3134	919	33	1.35	1.7	2779	815			34	1.55	1.9	2445	717	34	1.75	2.2	2135	626			35	2.00	0.99	4774	1400	24	0.90	GR107R77 GRF107R77	4P	1.1	4181	1226	29					1.05	1.3	3765	1104	31	1.15	1.5	3202	939	33	1.35	1.7	2803	822	34	1.55	1.5	3199	938	4.4	0.95	1.7	2810	824	21	1.05	1.9	2513	737	23	1.20	2.2	2155	632	24	1.40	2.5	1910	560	25	1.55	2.9	1651	484	26	1.80	3.2	1470
47	71	28.32	1.8	1.15			55	61	24.07			1.7	1.40			53			61	24.8	1.7	1.30	57	57	23.15	1.7	1.45	GR17 GRF17	4P	0.12	44857.9	11871	128	0.80	GR177R97 GRF177R97	4P			67	48	19.71	1.7	1.70					78	42	16.99	1.6	1.95			84	39	15.84	1.6	2.10	96	34	13.84	1.5	2.40			102	32	12.98	1.5	2.60	116	28	11.45									1.5	2.80	131	25	10.15	1.4	3.00	154	21	8.63	1.4	3.30	176	18	7.55	1.3	2.90	189	17	7.04	1.3	3.10	216	15	6.15	1.2	3.40	231	14	5.76	1.2	3.60	261	12	5.09	1.2	3.90	295	11	4.51	1.1	4.20	347	9.4	3.83	1.1	4.60	198	16	13.84	1.3	4.60	GR17 GRF17	2P	0.13	40123.1	10618	128	0.90			GR147R77 GRF147R77	4P	211			15	12.98			1.3			4.90	239	14	11.45	1.3	5.30	270	12	10.15	1.2					5.70	317					10	8.63	1.2							6.30					363	9.0	7.55	1.1	5.50			389	8.4	7.04	1.1	5.80	446	7.3	6.15	1.0	6.60	476	6.8	5.76	1.0	6.90	538	6.0	5.09	1.0	7.50	608	5.4	4.51	0.9	8.00	715	4.5	3.83	0.9	8.80	172	20	5.18	4.3	3.70	GRX67 GRXF67	6P	0.24					21508.8	5692	128	1.70			GR167R97 GRF167R97			4P	196	18	4.53	4.2	4.60	207	17	4.30	4.1	4.70	236	15	3.77	3.9	5.90	219			16	6.07	4.0	2.80					GRX67 GRXF67	4P	0.26							18522	5431	114			0.95	GR147R77 GRF147R77			4P	257			13			5.18	3.8			5.60	294	12			4.53			3.6	7.10	309	11	4.30			3.6	7.30	353	10	3.77	3.4	9.00	416	8	3.20	3.2	12	460	7	2.89	3.1	14	524	7	2.54	3.0	18	554	6	2.40	3.0	20	652	5			2.04	2.8	26	205	17			4.35	3.3			4.00	GRX57 GRXF57	6P	0.27	19101.7			5055	128	1.90	GR137R77 GRF137R77	4P	235	15	3.79	3.2			4.60	251	14	3.55	3.1	5.00					242	14	5.50	3.1	2.80			GRX57 GRXF57	4P	0.28	16250	4935	25	0.80	GR107R77 GRF107R77	4P	262	13			5.07	3.0	2.80	306	11			4.35			2.9	6.10			351			9.8	3.79	2.8			7.10	0.23	20721			6076	114	0.85	GR97R57 GRF97R57	4P	0.30	15991	4689			114	1.10	0.33	14201			4164	114	1.25	0.55			8662	2540	66	1.50	0.63	7554	2215	67	1.70	0.71	6643	1948	68	1.95	0.82	5784	1696	69	2.25	0.91	5208	1527	69	2.50	1.0			4543	1332			70	2.85	1.2	3987	1169	70	3.25			0.55	8563	2511	49	0.95	GR107R77 GRF107R77			4P	0.52			9078	2662	47	0.90	0.58	8239	2416	50	0.95	0.67	7080	2076	52	1.10	0.75	6282	1842	54	1.25	0.87	5457	1600	55	1.45	0.99	4792	1405	56	1.65	1.1	4205	1233	56	1.90	1.3	3738	1096	57	2.15	1.5	3264	957			57	2.45	1.7	2851	836	57	2.80			0.99	4798	1407	22	0.90	GR107R77 GRF107R77	4P	1.1					4123	1209	29	1.05	1.3	3598	1055	31	1.20	1.5	3134	919	33	1.35	1.7	2779	815	34	1.55	1.9	2445	717			34	1.75	2.2	2135	626	35	2.00			0.99	4774	1400	24					0.90	GR107R77 GRF107R77	4P	1.1	4181	1226	29	1.05	1.3	3765	1104	31	1.15	1.5	3202	939	33	1.35	1.7	2803	822	34	1.55	1.5	3199	938	4.4	0.95	1.7	2810	824	21	1.05	1.9	2513	737	23	1.20	2.2	2155	632	24	1.40	2.5	1910	560	25	1.55
55	61	24.07	1.7	1.40			53	61	24.8			1.7	1.30			57			57	23.15	1.7	1.45	GR17 GRF17	4P	0.12	44857.9	11871			128	0.80	GR177R97 GRF177R97	4P	67					48	19.71	1.7	1.70	78					42	16.99	1.6	1.95	84			39	15.84	1.6	2.10	96	34	13.84	1.5	2.40	102			32	12.98	1.5	2.60	116	28	11.45	1.5									2.80	131	25	10.15	1.4	3.00	154	21	8.63	1.4	3.30	176	18	7.55	1.3	2.90	189	17	7.04	1.3	3.10	216	15	6.15	1.2	3.40	231	14	5.76	1.2	3.60	261	12	5.09	1.2	3.90	295	11	4.51	1.1	4.20	347	9.4	3.83	1.1	4.60	198	16	13.84	1.3	4.60	GR17 GRF17			2P	0.13	40123.1	10618	128					0.90			GR147R77 GRF147R77	4P			211			15	12.98	1.3	4.90	239	14	11.45	1.3	5.30	270		12	10.15		1.2	5.70			317	10	8.63	1.2	6.30							363					9.0	7.55	1.1	5.50	389			8.4	7.04	1.1	5.80	446	7.3	6.15	1.0	6.60	476	6.8	5.76	1.0	6.90	538	6.0	5.09	1.0	7.50	608	5.4	4.51	0.9	8.00	715	4.5	3.83	0.9	8.80	172	20	5.18	4.3	3.70	GRX67 GRXF67			6P					0.24	21508.8	5692	128							1.70	GR167R97 GRF167R97	4P	196	18	4.53	4.2	4.60	207	17	4.30	4.1	4.70	236	15	3.77	3.9	5.90	219	16	6.07	4.0		2.80	GRX67 GRXF67				4P							0.26	18522	5431			114					0.95			GR147R77 GRF147R77			4P	257			13	5.18	3.8			5.60			294	12	4.53	3.6	7.10			309	11	4.30	3.6	7.30	353	10	3.77	3.4	9.00	416	8	3.20	3.2	12	460	7	2.89	3.1	14	524	7	2.54	3.0	18	554	6	2.40	3.0	20	652	5	2.04	2.8	26	205	17	4.35	3.3	4.00			GRX57 GRXF57			6P	0.27			19101.7	5055	128			1.90	GR137R77 GRF137R77	4P	235			15	3.79	3.2	4.60	251	14					3.55	3.1	5.00	242	14					5.50	3.1	2.80	GRX57 GRXF57	4P			0.28	16250			4935	25	0.80	GR107R77 GRF107R77	4P			262	13	5.07	3.0	2.80			306	11	4.35	2.9	6.10	351	9.8	3.79	2.8	7.10	0.23			20721	6076	114			0.85	GR97R57 GRF97R57	4P			0.30	15991	4689	114	1.10	0.33	14201	4164	114	1.25			0.55	8662	2540	66	1.50	0.63	7554	2215	67	1.70	0.71	6643	1948	68	1.95	0.82	5784	1696	69	2.25	0.91	5208	1527	69	2.50			1.0	4543			1332	70	2.85	1.2	3987	1169	70			3.25	0.55	8563	2511	49					0.95			GR107R77 GRF107R77	4P	0.52	9078	2662	47	0.90	0.58	8239	2416	50	0.95	0.67	7080	2076	52	1.10	0.75	6282	1842	54	1.25	0.87	5457	1600	55	1.45	0.99	4792	1405	56	1.65	1.1	4205	1233	56	1.90	1.3	3738	1096	57	2.15			1.5	3264	957	57	2.45	1.7	2851			836	57	2.80	0.99	4798			1407			22	0.90	GR107R77 GRF107R77	4P	1.1	4123	1209	29	1.05	1.3	3598	1055	31	1.20	1.5	3134	919	33	1.35	1.7	2779	815	34	1.55			1.9	2445	717	34	1.75	2.2	2135			626	35	2.00	0.99	4774	1400			24			0.90	GR107R77 GRF107R77	4P	1.1	4181	1226	29	1.05	1.3	3765	1104	31	1.15	1.5	3202	939	33	1.35	1.7	2803	822	34	1.55	1.5	3199	938	4.4	0.95	1.7	2810	824	21	1.05	1.9	2513	737	23	1.20	2.2	2155	632	24	1.40	2.5	1910
53	61	24.8	1.7	1.30																																																																																																																																																																																																																																																																																																																																																																																																																																																																																																																																																																																																																																																																																			
57	57	23.15	1.7	1.45	GR17 GRF17	4P	0.12	44857.9	11871	128	0.80	GR177R97 GRF177R97	4P																																																																																																																																																																																																																																																																																																																																																																																																																																																																																																																																																																																																																																																																										
67	48	19.71	1.7	1.70			78	42	16.99	1.6	1.95			84	39	15.84	1.6	2.10	96	34	13.84	1.5			2.40	102	32			12.98	1.5			2.60	116	28			11.45	1.5	2.80	131	25	10.15	1.4			3.00	154	21	8.63	1.4	3.30	176	18	7.55	1.3	2.90	189	17	7.04	1.3	3.10	216			15	6.15	1.2	3.40	231	14	5.76	1.2									3.60	261	12	5.09	1.2	3.90	295	11	4.51	1.1	4.20	347	9.4	3.83	1.1	4.60	198	16	13.84	1.3	4.60	GR17 GRF17	2P	0.13	40123.1	10618	128	0.90	GR147R77 GRF147R77	4P	211	15	12.98	1.3	4.90	239	14	11.45	1.3	5.30	270	12	10.15	1.2	5.70	317	10	8.63	1.2	6.30	363					9.0	7.55	1.1	5.50					389							8.4			7.04	1.1	5.80	446	7.3	6.15	1.0	6.60	476	6.8		5.76	1.0		6.90	538	6.0	5.09	1.0	7.50	608	5.4	4.51	0.9	8.00	715	4.5			3.83	0.9	8.80	172	20	5.18	4.3	3.70	GRX67 GRXF67	6P	0.24	21508.8	5692	128	1.70	GR167R97 GRF167R97	4P	196	18	4.53	4.2	4.60	207	17	4.30	4.1	4.70	236	15	3.77	3.9	5.90	219	16	6.07	4.0	2.80	GRX67 GRXF67	4P	0.26	18522	5431	114	0.95	GR147R77 GRF147R77	4P		257	13		5.18	3.8	5.60	294	12	4.53	3.6	7.10	309	11	4.30	3.6	7.30	353	10			3.77	3.4	9.00	416	8	3.20	3.2	12	460	7	2.89	3.1	14	524	7	2.54	3.0	18	554		6								2.40	3.0			20	652	5	2.04	2.8	26					205	17	4.35					3.3	4.00	GRX57 GRXF57	6P	0.27	19101.7			5055	128	1.90	GR137R77 GRF137R77	4P	235	15	3.79	3.2	4.60	251	14	3.55	3.1	5.00	242	14	5.50	3.1	2.80	GRX57 GRXF57	4P	0.28	16250	4935	25	0.80	GR107R77 GRF107R77	4P	262	13	5.07	3.0	2.80	306	11	4.35	2.9	6.10	351	9.8	3.79	2.8	7.10	0.23	20721	6076	114	0.85	GR97R57 GRF97R57	4P	0.30	15991	4689	114	1.10	0.33	14201	4164	114	1.25	0.55	8662	2540	66	1.50	0.63	7554			2215	67	1.70	0.71	6643	1948					68	1.95	0.82	5784	1696					69	2.25	0.91					5208	1527	69	2.50	1.0	4543	1332			70	2.85	1.2	3987	1169	70	3.25			0.55	8563	2511	49	0.95	GR107R77 GRF107R77	4P	0.52	9078	2662	47			0.90	0.58	8239			2416			50	0.95	0.67	7080	2076	52	1.10	0.75	6282	1842	54	1.25	0.87	5457	1600	55	1.45	0.99	4792	1405	56	1.65	1.1	4205	1233	56	1.90	1.3	3738	1096	57	2.15	1.5	3264	957	57	2.45	1.7	2851	836	57	2.80	0.99			4798	1407	22	0.90	GR107R77 GRF107R77	4P	1.1			4123	1209	29	1.05	1.3					3598	1055	31			1.20	1.5	3134	919	33	1.35	1.7	2779	815	34	1.55	1.9	2445	717	34	1.75	2.2	2135	626	35	2.00	0.99	4774	1400	24	0.90	GR107R77 GRF107R77	4P	1.1	4181	1226	29	1.05	1.3	3765	1104	31	1.15	1.5	3202			939	33	1.35	1.7	2803	822	34			1.55	1.5	3199	938	4.4			0.95	1.7	2810	824	21			1.05	1.9	2513	737	23	1.20	2.2	2155	632	24	1.40	2.5	1910	560	25	1.55	2.9	1651	484	26			1.80	3.2	1470	431	26	2.00	3.7			1293	379	27	2.30																																																				
78	42	16.99	1.6	1.95			84	39	15.84	1.6	2.10			96	34	13.84	1.5	2.40	102	32	12.98	1.5			2.60	116	28			11.45	1.5	2.80	131	25	10.15	1.4			3.00	154	21	8.63	1.4	3.30	176			18	7.55	1.3	2.90	189	17	7.04	1.3	3.10	216	15	6.15	1.2	3.40	231	14	5.76			1.2	3.60	261	12	5.09	1.2	3.90	295				11	4.51				1.1	4.20	347	9.4	3.83	1.1	4.60	198	16	13.84	1.3	4.60	GR17 GRF17	2P	0.13	40123.1	10618	128	0.90	GR147R77 GRF147R77	4P			211	15	12.98	1.3	4.90			239	14	11.45	1.3	5.30	270	12	10.15	1.2	5.70	317	10	8.63	1.2	6.30	363	9.0	7.55	1.1	5.50	389					8.4	7.04	1.1	5.80					446							7.3			6.15	1.0	6.60	476	6.8	5.76	1.0	6.90	538	6.0		5.09	1.0		7.50	608	5.4	4.51	0.9	8.00	715	4.5	3.83	0.9	8.80	172	20			5.18	4.3	3.70	GRX67 GRXF67	6P	0.24	21508.8	5692			128	1.70	GR167R97 GRF167R97	4P	196			18	4.53	4.2	4.60	207	17	4.30	4.1	4.70	236	15	3.77	3.9	5.90	219	16	6.07	4.0	2.80	GRX67 GRXF67			4P	0.26	18522	5431	114			0.95	GR147R77 GRF147R77	4P	257	13	5.18	3.8	5.60	294	12	4.53	3.6	7.10	309	11	4.30	3.6	7.30	353	10	3.77	3.4	9.00	416	8	3.20	3.2	12	460	7	2.89	3.1	14	524	7	2.54	3.0	18	554	6		2.40								3.0	20			652	5	2.04	2.8	26	205					17	4.35	3.3					4.00	GRX57 GRXF57			6P	0.27			19101.7	5055	128			1.90	GR137R77 GRF137R77	4P	235	15	3.79	3.2	4.60	251	14	3.55	3.1	5.00	242	14			5.50	3.1	2.80	GRX57 GRXF57	4P			0.28	16250	4935	25	0.80	GR107R77 GRF107R77	4P	262	13	5.07	3.0	2.80	306	11	4.35	2.9	6.10	351	9.8	3.79			2.8	7.10	0.23	20721	6076	114	0.85	GR97R57 GRF97R57	4P	0.30	15991	4689	114	1.10	0.33	14201	4164	114	1.25	0.55	8662	2540	66	1.50	0.63			7554	2215	67	1.70	0.71	6643	1948					68	1.95	0.82					5784	1696	69	2.25	0.91	5208	1527			69	2.50	1.0	4543	1332	70	2.85	1.2	3987	1169	70	3.25	0.55	8563			2511	49	0.95	GR107R77 GRF107R77			4P	0.52	9078			2662			47	0.90	0.58	8239	2416	50	0.95	0.67	7080	2076	52	1.10	0.75	6282	1842	54	1.25	0.87	5457	1600	55	1.45	0.99	4792	1405	56	1.65	1.1	4205	1233	56	1.90	1.3	3738	1096	57	2.15	1.5	3264	957	57	2.45	1.7			2851	836	57	2.80			0.99			4798	1407	22	0.90	GR107R77 GRF107R77					4P	1.1	4123			1209	29	1.05	1.3	3598	1055	31	1.20	1.5	3134	919	33	1.35	1.7	2779	815	34	1.55	1.9	2445	717	34	1.75	2.2	2135	626			35	2.00	0.99	4774	1400	24	0.90	GR107R77 GRF107R77	4P	1.1	4181	1226	29	1.05	1.3	3765	1104	31	1.15	1.5	3202			939	33	1.35	1.7	2803			822	34	1.55	1.5	3199			938	4.4	0.95	1.7	2810	824	21	1.05	1.9	2513	737	23	1.20	2.2	2155	632	24	1.40	2.5	1910	560	25	1.55	2.9	1651	484	26	1.80	3.2			1470	431	26	2.00	3.7	1293	379	27	2.30																																															
84	39	15.84	1.6	2.10			96	34	13.84	1.5	2.40			102	32	12.98	1.5	2.60	116	28	11.45	1.5			2.80	131	25			10.15	1.4	3.00	154	21	8.63	1.4			3.30	176	18	7.55	1.3	2.90	189			17	7.04	1.3	3.10	216	15	6.15	1.2	3.40	231	14	5.76	1.2	3.60	261	12	5.09			1.2	3.90	295	11	4.51	1.1	4.20	347			9.4	3.83	1.1	4.60			198	16	13.84	1.3	4.60	GR17 GRF17	2P	0.13	40123.1	10618	128	0.90			GR147R77 GRF147R77	4P	211	15	12.98					1.3	4.90	239	14	11.45			1.3	5.30	270	12	10.15	1.2	5.70	317	10	8.63	1.2	6.30	363	9.0	7.55	1.1	5.50	389	8.4	7.04	1.1					5.80	446	7.3	6.15					1.0							6.60			476	6.8	5.76	1.0	6.90	538	6.0	5.09	1.0	7.50	608	5.4	4.51	0.9	8.00	715	4.5	3.83	0.9	8.80	172	20	5.18	4.3	3.70	GRX67 GRXF67	6P	0.24	21508.8	5692	128	1.70			GR167R97 GRF167R97	4P	196			18	4.53			4.2			4.60	207	17	4.30	4.1	4.70	236	15	3.77	3.9	5.90	219	16	6.07	4.0	2.80	GRX67 GRXF67	4P	0.26					18522	5431	114	0.95			GR147R77 GRF147R77			4P	257	13	5.18	3.8	5.60	294	12	4.53	3.6	7.10	309	11	4.30	3.6	7.30	353	10	3.77	3.4	9.00	416	8	3.20	3.2	12	460	7	2.89	3.1	14	524	7	2.54	3.0	18	554		6								2.40	3.0			20	652	5	2.04	2.8	26					205	17	4.35		3.3	4.00		GRX57 GRXF57					6P	0.27	19101.7	5055	128	1.90			GR137R77 GRF137R77			4P	235	15	3.79	3.2	4.60	251	14	3.55	3.1	5.00	242			14	5.50	3.1					2.80	GRX57 GRXF57	4P	0.28	16250			4935	25	0.80	GR107R77 GRF107R77	4P	262	13	5.07	3.0	2.80	306	11	4.35			2.9	6.10	351	9.8	3.79	2.8	7.10			0.23	20721	6076	114	0.85	GR97R57 GRF97R57	4P	0.30	15991	4689	114	1.10	0.33	14201	4164	114	1.25	0.55	8662	2540	66	1.50	0.63	7554	2215	67	1.70			0.71	6643	1948					68	1.95	0.82	5784	1696	69	2.25			0.91	5208	1527	69	2.50	1.0	4543	1332	70	2.85	1.2	3987	1169	70			3.25	0.55	8563		2511	49		0.95	GR107R77 GRF107R77			4P			0.52	9078	2662	47	0.90	0.58	8239	2416	50	0.95	0.67	7080	2076	52	1.10	0.75	6282	1842	54	1.25	0.87	5457	1600	55	1.45	0.99	4792	1405	56	1.65	1.1	4205	1233	56	1.90	1.3	3738	1096	57	2.15	1.5	3264	957			57	2.45	1.7	2851			836			57	2.80	0.99	4798			1407	22			0.90	GR107R77 GRF107R77			4P	1.1	4123	1209	29	1.05	1.3	3598	1055	31	1.20	1.5	3134	919	33	1.35	1.7	2779	815	34	1.55	1.9	2445	717	34	1.75			2.2	2135	626	35	2.00	0.99	4774			1400	24	0.90	GR107R77 GRF107R77	4P	1.1	4181	1226	29	1.05	1.3	3765	1104	31	1.15	1.5	3202	939	33			1.35	1.7	2803	822	34			1.55	1.5	3199	938	4.4	0.95	1.7	2810	824	21	1.05	1.9	2513	737	23	1.20	2.2	2155	632	24	1.40	2.5	1910	560	25	1.55	2.9	1651	484	26	1.80	3.2	1470	431	26	2.00	3.7	1293	379	27			2.30																																												
96	34	13.84	1.5	2.40			102	32	12.98	1.5	2.60	116	28	11.45	1.5	2.80	131	25	10.15	1.4	3.00	154			21	8.63	1.4			3.30	176	18	7.55	1.3	2.90	189			17	7.04	1.3	3.10	216	15	6.15			1.2	3.40	231	14	5.76	1.2	3.60	261	12	5.09	1.2	3.90	295	11	4.51	1.1	4.20			347	9.4	3.83	1.1	4.60	198	16	13.84		1.3	4.60	GR17 GRF17	2P	0.13	40123.1		10618	128	0.90	GR147R77 GRF147R77	4P			211	15	12.98	1.3	4.90					239	14	11.45					1.3	5.30	270	12	10.15			1.2	5.70	317	10	8.63	1.2	6.30	363	9.0	7.55	1.1	5.50	389	8.4	7.04	1.1	5.80	446	7.3	6.15	1.0					6.60	476	6.8	5.76					1.0							6.90			538	6.0	5.09	1.0	7.50	608	5.4	4.51	0.9	8.00	715	4.5	3.83	0.9	8.80	172	20	5.18	4.3	3.70	GRX67 GRXF67	6P	0.24	21508.8	5692			128	1.70	GR167R97 GRF167R97	4P	196					18			4.53	4.2			4.60			207	17	4.30	4.1	4.70	236	15	3.77	3.9	5.90	219	16	6.07	4.0	2.80	GRX67 GRXF67			4P					0.26	18522	5431	114							0.95	GR147R77 GRF147R77	4P	257	13	5.18	3.8	5.60	294	12	4.53	3.6	7.10	309	11	4.30	3.6	7.30	353	10	3.77	3.4	9.00	416	8	3.20	3.2	12	460	7	2.89	3.1	14	524	7	2.54		3.0								18	554			6	2.40	3.0	20	652	5					2.04	2.8	26		205	17				4.35	3.3			4.00	GRX57 GRXF57	6P	0.27	19101.7	5055	128					1.90	GR137R77 GRF137R77	4P	235	15	3.79	3.2	4.60	251	14	3.55			3.1	5.00	242					14			5.50	3.1			2.80	GRX57 GRXF57	4P			0.28	16250	4935	25	0.80	GR107R77 GRF107R77	4P	262			13	5.07	3.0	2.80	306	11	4.35			2.9	6.10	351	9.8	3.79			2.8	7.10	0.23	20721	6076	114	0.85	GR97R57 GRF97R57	4P	0.30	15991	4689	114	1.10	0.33	14201	4164	114	1.25	0.55	8662	2540	66	1.50	0.63			7554	2215	67	1.70	0.71	6643	1948	68	1.95			0.82	5784	1696	69	2.25	0.91	5208	1527	69	2.50	1.0	4543	1332	70			2.85	1.2	3987		1169	70		3.25		0.55	8563				2511	49	0.95	GR107R77 GRF107R77	4P	0.52	9078	2662	47	0.90	0.58	8239	2416	50	0.95	0.67	7080	2076	52	1.10	0.75	6282	1842	54	1.25	0.87	5457	1600	55	1.45	0.99	4792	1405	56	1.65	1.1	4205	1233	56	1.90	1.3	3738	1096			57	2.15	1.5	3264			957			57	2.45	1.7	2851			836	57			2.80					0.99	4798	1407	22	0.90	GR107R77 GRF107R77	4P	1.1	4123	1209	29	1.05	1.3	3598	1055	31	1.20	1.5	3134	919	33	1.35	1.7	2779	815			34	1.55	1.9	2445	717	34	1.75			2.2	2135	626			35	2.00	0.99	4774	1400	24	0.90	GR107R77 GRF107R77	4P	1.1	4181	1226	29	1.05	1.3	3765	1104	31	1.15	1.5	3202			939	33	1.35	1.7	2803	822	34	1.55	1.5	3199	938	4.4	0.95	1.7	2810	824	21	1.05	1.9	2513	737	23	1.20	2.2	2155	632	24	1.40	2.5	1910	560	25	1.55	2.9	1651	484	26	1.80	3.2	1470	431	26	2.00			3.7	1293	379	27	2.30																																					
102	32	12.98	1.5	2.60			116	28	11.45	1.5	2.80	131	25	10.15	1.4	3.00	154	21	8.63	1.4	3.30	176			18	7.55	1.3			2.90	189	17	7.04	1.3	3.10	216			15	6.15	1.2	3.40	231	14	5.76			1.2	3.60	261	12	5.09	1.2	3.90	295	11	4.51	1.1	4.20	347	9.4	3.83	1.1	4.60			198	16	13.84	1.3	4.60	GR17 GRF17	2P	0.13	40123.1	10618	128			0.90	GR147R77 GRF147R77	4P	211	15	12.98					1.3	4.90	239	14	11.45					1.3	5.30	270					12	10.15	1.2	5.70	317			10	8.63	1.2	6.30	363	9.0	7.55	1.1	5.50	389	8.4	7.04	1.1	5.80	446	7.3	6.15	1.0	6.60	476	6.8					5.76	1.0	6.90	538					6.0	5.09	1.0					7.50	608	5.4	4.51	0.9	8.00	715	4.5	3.83	0.9	8.80	172	20	5.18	4.3	3.70	GRX67 GRXF67	6P	0.24	21508.8	5692	128	1.70			GR167R97 GRF167R97	4P	196			18	4.53			4.2					4.60	207	17	4.30	4.1			4.70	236	15	3.77	3.9	5.90	219	16	6.07	4.0	2.80	GRX67 GRXF67	4P	0.26	18522	5431	114	0.95									GR147R77 GRF147R77	4P	257	13							5.18			3.8	5.60	294	12	4.53	3.6	7.10	309	11	4.30	3.6	7.30	353	10	3.77	3.4	9.00	416	8	3.20	3.2	12	460	7	2.89	3.1	14	524	7	2.54	3.0	18	554	6	2.40		3.0						20	652	5	2.04	2.8	26	205	17	4.35	3.3					4.00	GRX57 GRXF57	6P		0.27	19101.7			5055	128	1.90	GR137R77 GRF137R77		4P			235	15	3.79	3.2		4.60	251		14			3.55	3.1	5.00	242	14	5.50	3.1	2.80			GRX57 GRXF57	4P	0.28					16250			4935	25			0.80					GR107R77 GRF107R77	4P	262	13	5.07			3.0			2.80	306	11	4.35	2.9	6.10	351			9.8	3.79	2.8	7.10	0.23			20721	6076	114	0.85	GR97R57 GRF97R57	4P	0.30			15991	4689	114	1.10	0.33	14201	4164	114	1.25	0.55	8662	2540	66	1.50	0.63	7554	2215	67	1.70	0.71	6643	1948	68	1.95	0.82	5784	1696	69	2.25	0.91	5208	1527	69	2.50	1.0	4543	1332	70	2.85	1.2	3987	1169	70			3.25	0.55	8563		2511	49		0.95		GR107R77 GRF107R77	4P		0.52	9078	2662	47	0.90			0.58	8239	2416	50	0.95	0.67	7080	2076	52	1.10	0.75	6282	1842	54	1.25	0.87	5457	1600	55	1.45	0.99	4792	1405	56	1.65	1.1	4205	1233	56	1.90	1.3	3738	1096	57	2.15	1.5	3264	957	57	2.45	1.7	2851	836	57			2.80			0.99	4798	1407	22			0.90	GR107R77 GRF107R77			4P					1.1	4123	1209	29	1.05			1.3	3598	1055	31	1.20	1.5	3134	919	33	1.35	1.7	2779	815	34	1.55	1.9	2445	717			34	1.75	2.2	2135	626	35	2.00			0.99	4774	1400			24	0.90	GR107R77 GRF107R77	4P	1.1	4181	1226			29	1.05	1.3	3765	1104	31	1.15	1.5	3202	939	33	1.35	1.7	2803	822	34	1.55	1.5	3199	938	4.4	0.95	1.7	2810	824	21	1.05	1.9	2513	737	23	1.20	2.2	2155	632	24	1.40	2.5	1910	560	25	1.55	2.9	1651	484	26	1.80	3.2	1470	431	26	2.00	3.7	1293	379	27	2.30																																												
116	28	11.45	1.5	2.80			131	25	10.15	1.4	3.00	154	21	8.63	1.4	3.30	176	18	7.55	1.3	2.90	189			17	7.04	1.3			3.10	216	15	6.15	1.2	3.40	231			14	5.76	1.2	3.60	261	12	5.09			1.2	3.90	295	11	4.51	1.1	4.20	347	9.4	3.83	1.1	4.60	198	16	13.84	1.3	4.60			GR17 GRF17	2P	0.13	40123.1	10618			128	0.90	GR147R77 GRF147R77	4P			211			15	12.98	1.3					4.90	239	14	11.45	1.3					5.30	270	12					10.15	1.2	5.70	317	10			8.63	1.2	6.30	363	9.0	7.55	1.1	5.50	389	8.4	7.04	1.1	5.80	446	7.3	6.15	1.0	6.60	476	6.8	5.76					1.0	6.90	538	6.0	5.09	1.0			7.50	608	5.4			4.51	0.9	8.00	715	4.5	3.83	0.9	8.80	172	20	5.18	4.3	3.70	GRX67 GRXF67	6P	0.24	21508.8	5692			128	1.70	GR167R97 GRF167R97	4P	196					18			4.53	4.2			4.60	207	17			4.30	4.1	4.70	236	15	3.77	3.9	5.90	219	16	6.07	4.0	2.80	GRX67 GRXF67	4P	0.26	18522	5431			114	0.95	GR147R77 GRF147R77	4P	257											13	5.18							3.8			5.60	294	12	4.53	3.6	7.10	309	11	4.30	3.6	7.30	353	10	3.77	3.4	9.00	416	8	3.20	3.2	12	460	7	2.89	3.1	14	524	7	2.54	3.0	18	554	6	2.40	3.0		20				652	5	2.04	2.8	26	205	17	4.35	3.3	4.00	GRX57 GRXF57	6P		0.27	19101.7		5055				128	1.90		GR137R77 GRF137R77	4P	235	15		3.79				3.2	4.60	251	14	3.55	3.1	5.00	242	14			5.50	3.1	2.80	GRX57 GRXF57	4P	0.28	16250	4935					25					0.80			GR107R77 GRF107R77	4P			262							13	5.07	3.0			2.80			306	11	4.35	2.9	6.10	351	9.8			3.79	2.8	7.10	0.23	20721			6076	114	0.85	GR97R57 GRF97R57			4P			0.30	15991	4689	114	1.10	0.33	14201	4164	114	1.25	0.55	8662	2540	66	1.50	0.63	7554	2215	67	1.70	0.71	6643	1948	68	1.95	0.82	5784	1696	69	2.25	0.91	5208	1527	69	2.50	1.0	4543	1332	70	2.85	1.2	3987	1169			70	3.25	0.55		8563	2511		49					0.95	GR107R77 GRF107R77	4P	0.52	9078			2662	47	0.90	0.58	8239	2416	50	0.95	0.67	7080	2076	52	1.10	0.75	6282	1842	54	1.25	0.87	5457	1600	55	1.45	0.99	4792	1405	56	1.65	1.1	4205	1233	56	1.90	1.3	3738	1096	57	2.15	1.5	3264	957	57	2.45	1.7			2851	836	57	2.80	0.99	4798	1407			22									0.90	GR107R77 GRF107R77	4P	1.1	4123			1209	29	1.05	1.3	3598	1055	31	1.20	1.5	3134	919	33	1.35	1.7	2779	815	34	1.55			1.9	2445	717	34	1.75	2.2	2135			626	35	2.00			0.99	4774			1400	24	0.90			GR107R77 GRF107R77	4P	1.1	4181	1226	29	1.05	1.3	3765	1104	31	1.15	1.5	3202	939	33	1.35	1.7	2803	822	34	1.55	1.5	3199	938	4.4	0.95	1.7	2810	824	21	1.05	1.9	2513	737	23	1.20	2.2	2155	632	24	1.40	2.5	1910	560	25	1.55	2.9	1651	484	26	1.80	3.2	1470	431	26	2.00	3.7	1293	379	27	2.30																																							
131	25	10.15	1.4	3.00			154	21	8.63	1.4	3.30	176	18	7.55	1.3	2.90	189	17	7.04	1.3	3.10	216			15	6.15	1.2			3.40	231	14	5.76	1.2	3.60	261			12	5.09	1.2	3.90	295	11	4.51			1.1	4.20	347	9.4	3.83	1.1	4.60	198	16	13.84	1.3	4.60	GR17 GRF17	2P	0.13	40123.1	10618	128	0.90			GR147R77 GRF147R77	4P	211			15	12.98					1.3			4.90	239	14					11.45	1.3	5.30	270	12					10.15	1.2	5.70					317	10	8.63	1.2	6.30			363	9.0	7.55	1.1	5.50	389	8.4	7.04	1.1	5.80	446	7.3	6.15	1.0	6.60	476	6.8	5.76	1.0	6.90	538		6.0	5.09		1.0	7.50	608	5.4	4.51	0.9	8.00	715	4.5	3.83	0.9			8.80	172	20	5.18	4.3	3.70	GRX67 GRXF67	6P	0.24	21508.8	5692	128	1.70			GR167R97 GRF167R97	4P	196			18	4.53			4.2					4.60	207	17	4.30	4.1			4.70	236	15	3.77	3.9	5.90	219	16	6.07	4.0	2.80	GRX67 GRXF67	4P	0.26	18522	5431	114	0.95			GR147R77 GRF147R77	4P	257			13	5.18			3.8											5.60	294							12			4.53	3.6	7.10	309	11	4.30	3.6	7.30	353	10	3.77	3.4	9.00	416	8	3.20	3.2	12	460	7	2.89	3.1	14	524	7	2.54	3.0	18	554	6	2.40	3.0	20	652	5		2.04	2.8	26		205	17	4.35	3.3	4.00	GRX57 GRXF57	6P	0.27	19101.7	5055			128	1.90	GR137R77 GRF137R77	4P	235				15	3.79				3.2	4.60		251		14	3.55	3.1	5.00	242	14	5.50	3.1	2.80	GRX57 GRXF57	4P	0.28	16250	4935	25	0.80			GR107R77 GRF107R77	4P	262					13					5.07							3.0							2.80	306	11			4.35			2.9	6.10	351	9.8	3.79	2.8	7.10			0.23	20721	6076	114	0.85			GR97R57 GRF97R57	4P	0.30							15991	4689	114	1.10	0.33	14201	4164	114	1.25	0.55	8662	2540	66	1.50	0.63	7554	2215	67	1.70	0.71	6643	1948	68	1.95	0.82	5784	1696	69	2.25	0.91	5208	1527	69	2.50	1.0	4543	1332	70	2.85	1.2	3987	1169	70			3.25	0.55	8563		2511	49		0.95					GR107R77 GRF107R77			4P	0.52			9078	2662	47	0.90	0.58	8239	2416	50	0.95	0.67	7080	2076	52	1.10	0.75	6282	1842	54	1.25	0.87	5457	1600	55	1.45	0.99	4792	1405	56	1.65	1.1	4205	1233	56	1.90	1.3	3738	1096	57	2.15	1.5	3264	957	57	2.45			1.7	2851	836	57	2.80	0.99	4798		1407	22		0.90							GR107R77 GRF107R77			4P	1.1			4123	1209	29	1.05	1.3	3598	1055	31	1.20	1.5	3134	919	33	1.35	1.7	2779	815	34			1.55	1.9	2445	717	34	1.75	2.2			2135	626	35			2.00	0.99			4774	1400	24					0.90	GR107R77 GRF107R77	4P	1.1	4181	1226	29	1.05	1.3	3765	1104	31	1.15	1.5	3202	939	33	1.35	1.7	2803	822	34	1.55	1.5	3199	938	4.4	0.95	1.7	2810	824	21	1.05	1.9	2513	737	23	1.20	2.2	2155	632	24	1.40	2.5	1910	560	25	1.55	2.9	1651	484	26	1.80	3.2	1470	431	26	2.00	3.7	1293	379	27	2.30																																				
154	21	8.63	1.4	3.30			176	18	7.55	1.3	2.90	189	17	7.04	1.3	3.10	216	15	6.15	1.2	3.40	231			14	5.76	1.2			3.60	261	12	5.09	1.2	3.90	295			11	4.51	1.1	4.20	347	9.4	3.83			1.1	4.60	198	16	13.84	1.3	4.60	GR17 GRF17	2P	0.13	40123.1	10618			128	0.90	GR147R77 GRF147R77	4P	211					15			12.98	1.3					4.90			239	14	11.45					1.3	5.30	270	12	10.15					1.2	5.70	317					10	8.63	1.2	6.30	363			9.0	7.55	1.1	5.50	389	8.4	7.04	1.1	5.80	446	7.3	6.15	1.0	6.60	476	6.8	5.76	1.0	6.90	538	6.0	5.09	1.0	7.50	608	5.4	4.51	0.9	8.00	715	4.5	3.83	0.9	8.80	172	20	5.18	4.3	3.70	GRX67 GRXF67	6P	0.24	21508.8	5692			128	1.70	GR167R97 GRF167R97	4P	196					18			4.53	4.2			4.60	207	17			4.30	4.1	4.70	236	15	3.77	3.9	5.90	219	16	6.07	4.0	2.80	GRX67 GRXF67	4P	0.26	18522	5431			114	0.95	GR147R77 GRF147R77	4P	257					13			5.18	3.8			5.60											294	12							4.53			3.6	7.10	309	11	4.30	3.6	7.30	353	10	3.77	3.4	9.00	416	8	3.20	3.2	12	460	7	2.89	3.1	14	524	7	2.54	3.0	18	554	6	2.40	3.0	20	652	5	2.04	2.8	26	205	17	4.35	3.3	4.00	GRX57 GRXF57	6P	0.27			19101.7	5055	128			1.90	GR137R77 GRF137R77			4P	235	15	3.79	3.2	4.60	251			14	3.55	3.1	5.00	242	14	5.50	3.1	2.80	GRX57 GRXF57	4P	0.28	16250	4935			25	0.80	GR107R77 GRF107R77	4P	262					13	5.07	3.0			2.80			306	11	4.35							2.9							6.10	351	9.8			3.79	2.8	7.10	0.23	20721	6076	114	0.85	GR97R57 GRF97R57	4P			0.30	15991	4689	114	1.10					0.33							14201	4164	114	1.25	0.55	8662	2540	66	1.50	0.63	7554	2215	67	1.70	0.71	6643	1948	68	1.95	0.82	5784	1696	69	2.25	0.91	5208	1527	69	2.50	1.0	4543	1332	70	2.85	1.2	3987	1169	70	3.25	0.55	8563	2511	49			0.95	GR107R77 GRF107R77	4P		0.52	9078		2662									47			0.90	0.58	8239	2416	50	0.95	0.67	7080	2076	52	1.10	0.75	6282	1842	54	1.25	0.87	5457	1600	55	1.45	0.99	4792	1405	56	1.65	1.1	4205	1233	56	1.90	1.3	3738	1096	57	2.15	1.5	3264	957	57	2.45	1.7	2851	836	57	2.80	0.99	4798	1407	22	0.90	GR107R77 GRF107R77	4P		1.1	4123		1209				29	1.05						1.3			3598	1055	31	1.20	1.5	3134	919	33	1.35	1.7	2779	815	34	1.55	1.9	2445	717	34	1.75	2.2	2135	626	35	2.00	0.99	4774	1400			24	0.90	GR107R77 GRF107R77			4P	1.1			4181	1226	29					1.05			1.3	3765	1104	31	1.15	1.5	3202	939	33	1.35	1.7	2803	822	34	1.55	1.5	3199	938	4.4	0.95	1.7	2810	824	21	1.05	1.9	2513	737	23	1.20	2.2	2155	632	24	1.40	2.5	1910	560	25	1.55	2.9	1651	484	26	1.80	3.2	1470	431	26	2.00	3.7	1293	379	27	2.30																																									
176	18	7.55	1.3	2.90			189	17	7.04	1.3	3.10	216	15	6.15	1.2	3.40	231	14	5.76	1.2	3.60	261			12	5.09	1.2			3.90	295	11	4.51	1.1	4.20	347			9.4	3.83	1.1	4.60	198	16	13.84	1.3	4.60	GR17 GRF17	2P	0.13	40123.1	10618	128	0.90			GR147R77 GRF147R77	4P	211			15	12.98			1.3					4.90			239	14					11.45			1.3	5.30	270					12	10.15	1.2	5.70	317					10	8.63	1.2					6.30	363	9.0	7.55	1.1			5.50	389	8.4	7.04	1.1	5.80	446	7.3	6.15	1.0	6.60	476	6.8	5.76	1.0	6.90	538	6.0	5.09	1.0	7.50	608	5.4	4.51	0.9	8.00	715	4.5	3.83	0.9	8.80	172	20	5.18	4.3	3.70	GRX67 GRXF67	6P	0.24			21508.8	5692	128			1.70	GR167R97 GRF167R97			4P					196	18	4.53	4.2	4.60			207	17	4.30	4.1	4.70	236	15	3.77	3.9	5.90	219	16	6.07	4.0	2.80	GRX67 GRXF67	4P	0.26			18522	5431	114			0.95	GR147R77 GRF147R77			4P					257			13	5.18			3.8											5.60	294							12			4.53	3.6	7.10	309	11	4.30	3.6	7.30	353	10	3.77	3.4	9.00	416	8	3.20	3.2	12	460	7	2.89	3.1	14	524	7	2.54	3.0	18	554	6	2.40	3.0	20	652	5	2.04	2.8	26	205	17	4.35	3.3			4.00			GRX57 GRXF57	6P	0.27	19101.7	5055	128					1.90	GR137R77 GRF137R77	4P	235	15	3.79	3.2	4.60	251	14	3.55	3.1	5.00	242	14	5.50	3.1			2.80	GRX57 GRXF57	4P			0.28	16250			4935					25	0.80	GR107R77 GRF107R77			4P	262	13	5.07	3.0	2.80					306	11	4.35							2.9	6.10	351			9.8	3.79	2.8	7.10	0.23	20721	6076	114			0.85	GR97R57 GRF97R57	4P	0.30	15991	4689	114					1.10							0.33	14201	4164	114	1.25	0.55	8662	2540	66	1.50	0.63	7554	2215	67	1.70	0.71	6643	1948	68	1.95	0.82	5784	1696	69	2.25	0.91	5208	1527	69	2.50	1.0	4543	1332	70	2.85	1.2	3987	1169	70	3.25	0.55	8563	2511			49				0.95	GR107R77 GRF107R77		4P									0.52			9078	2662	47	0.90	0.58	8239	2416	50	0.95	0.67	7080	2076	52	1.10	0.75	6282	1842	54	1.25	0.87	5457	1600	55	1.45	0.99	4792	1405	56	1.65	1.1	4205	1233	56	1.90	1.3	3738	1096	57	2.15	1.5	3264	957	57	2.45	1.7	2851	836	57	2.80	0.99	4798			1407	22	0.90		GR107R77 GRF107R77	4P			1.1	4123						1209			29	1.05	1.3	3598	1055	31	1.20	1.5	3134	919	33	1.35	1.7	2779	815	34	1.55	1.9	2445	717	34	1.75	2.2	2135	626	35	2.00	0.99	4774	1400	24					0.90			GR107R77 GRF107R77	4P	1.1					4181			1226	29	1.05	1.3	3765	1104	31	1.15	1.5	3202	939	33	1.35	1.7	2803	822	34	1.55	1.5	3199	938	4.4	0.95	1.7	2810	824	21	1.05	1.9	2513	737	23	1.20	2.2	2155	632	24	1.40	2.5	1910	560	25	1.55	2.9	1651	484	26	1.80	3.2	1470	431	26	2.00	3.7	1293	379	27	2.30																																						
189	17	7.04	1.3	3.10			216	15	6.15	1.2	3.40	231	14	5.76	1.2	3.60	261	12	5.09	1.2	3.90	295			11	4.51	1.1			4.20	347	9.4	3.83	1.1	4.60	198	16	13.84	1.3	4.60	GR17 GRF17	2P	0.13	40123.1	10618	128	0.90			GR147R77 GRF147R77	4P	211	15	12.98					1.3			4.90	239			14					11.45			1.3	5.30					270			12	10.15	1.2					5.70	317	10	8.63	1.2					6.30	363	9.0					7.55	1.1	5.50	389	8.4			7.04	1.1	5.80	446	7.3	6.15	1.0	6.60	476	6.8	5.76	1.0	6.90	538	6.0	5.09	1.0	7.50	608	5.4	4.51	0.9	8.00	715	4.5	3.83	0.9	8.80	172	20	5.18	4.3	3.70	GRX67 GRXF67	6P	0.24			21508.8			5692	128	1.70			GR167R97 GRF167R97					4P	196			18	4.53	4.2	4.60	207	17	4.30	4.1	4.70	236	15	3.77	3.9	5.90	219	16	6.07	4.0	2.80	GRX67 GRXF67	4P	0.26			18522			5431	114	0.95			GR147R77 GRF147R77									4P			257	13			5.18											3.8	5.60							294			12	4.53	3.6	7.10	309	11	4.30	3.6	7.30	353	10	3.77	3.4	9.00	416	8	3.20	3.2	12	460	7	2.89	3.1	14	524	7	2.54	3.0	18	554	6	2.40	3.0	20	652	5	2.04	2.8	26	205	17	4.35			3.3	4.00	GRX57 GRXF57			6P	0.27	19101.7	5055		128	1.90		GR137R77 GRF137R77			4P	235	15	3.79	3.2	4.60	251	14	3.55	3.1	5.00	242	14	5.50			3.1					2.80	GRX57 GRXF57			4P					0.28	16250					4935	25	0.80	GR107R77 GRF107R77	4P	262	13			5.07	3.0	2.80			306	11			4.35	2.9	6.10			351	9.8	3.79	2.8	7.10	0.23	20721	6076			114			0.85	GR97R57 GRF97R57	4P	0.30	15991	4689			114							1.10	0.33	14201	4164	114	1.25	0.55	8662	2540	66	1.50	0.63	7554	2215	67	1.70	0.71	6643	1948	68	1.95	0.82	5784	1696	69	2.25	0.91	5208	1527	69	2.50	1.0	4543	1332	70	2.85	1.2	3987	1169	70	3.25	0.55	8563			2511				49												0.95			GR107R77 GRF107R77	4P	0.52	9078	2662	47	0.90	0.58	8239	2416	50	0.95	0.67	7080	2076	52	1.10	0.75	6282	1842	54	1.25	0.87	5457	1600	55	1.45	0.99	4792	1405	56	1.65	1.1	4205	1233	56	1.90	1.3	3738	1096	57	2.15	1.5	3264	957	57	2.45	1.7	2851	836	57			2.80	0.99	4798					1407	22	0.90	GR107R77 GRF107R77					4P			1.1	4123	1209	29	1.05	1.3	3598	1055	31	1.20	1.5	3134	919	33	1.35	1.7	2779	815	34	1.55	1.9	2445	717	34	1.75	2.2	2135	626	35	2.00	0.99		4774	1400		24					0.90					GR107R77 GRF107R77			4P	1.1	4181	1226	29	1.05	1.3	3765	1104	31	1.15	1.5	3202	939	33	1.35	1.7	2803	822	34	1.55	1.5	3199	938	4.4	0.95	1.7	2810	824	21	1.05	1.9	2513	737	23	1.20	2.2	2155	632	24	1.40	2.5	1910	560	25	1.55	2.9	1651	484	26	1.80	3.2	1470	431	26	2.00	3.7	1293	379	27	2.30																																			
216	15	6.15	1.2	3.40			231	14	5.76	1.2	3.60	261	12	5.09	1.2	3.90	295	11	4.51	1.1	4.20	347			9.4	3.83	1.1	4.60	198	16	13.84	1.3	4.60	GR17 GRF17	2P	0.13	40123.1	10618	128	0.90			GR147R77 GRF147R77	4P	211	15	12.98					1.3	4.90	239					14			11.45	1.3			5.30					270			12	10.15					1.2			5.70	317	10					8.63	1.2	6.30	363	9.0					7.55	1.1	5.50			389	8.4	7.04	1.1	5.80	446	7.3	6.15	1.0	6.60	476	6.8	5.76	1.0	6.90	538	6.0	5.09	1.0	7.50	608	5.4	4.51	0.9	8.00	715	4.5	3.83	0.9	8.80	172	20	5.18	4.3	3.70	GRX67 GRXF67	6P	0.24	21508.8	5692	128	1.70			GR167R97 GRF167R97			4P			196	18	4.53	4.2	4.60							207	17	4.30	4.1	4.70	236	15	3.77	3.9	5.90	219	16	6.07	4.0	2.80	GRX67 GRXF67	4P	0.26	18522	5431	114	0.95			GR147R77 GRF147R77			4P			257	13	5.18															3.8	5.60			294						12	4.53				3.6	7.10	309	11					4.30			3.6	7.30	353	10	3.77	3.4	9.00	416	8	3.20	3.2	12	460	7	2.89	3.1	14	524	7	2.54	3.0	18	554	6	2.40	3.0	20	652	5	2.04	2.8	26	205	17	4.35	3.3	4.00	GRX57 GRXF57	6P	0.27	19101.7	5055	128	1.90	GR137R77 GRF137R77	4P					235	15	3.79	3.2	4.60	251	14					3.55	3.1	5.00	242	14	5.50	3.1	2.80	GRX57 GRXF57	4P	0.28	16250	4935			25					0.80									GR107R77 GRF107R77	4P					262	13	5.07			3.0	2.80			306	11	4.35	2.9	6.10	351	9.8			3.79	2.8	7.10	0.23	20721	6076	114	0.85	GR97R57 GRF97R57	4P	0.30	15991	4689			114			1.10			0.33	14201	4164			114					1.25	0.55	8662	2540	66	1.50	0.63	7554	2215	67	1.70	0.71	6643	1948	68	1.95	0.82	5784	1696	69	2.25	0.91	5208	1527	69	2.50	1.0	4543	1332	70	2.85	1.2	3987	1169	70	3.25	0.55	8563	2511	49	0.95	GR107R77 GRF107R77	4P	0.52	9078	2662	47	0.90				0.58												8239					2416	50	0.95	0.67	7080	2076	52	1.10	0.75	6282	1842	54	1.25	0.87	5457	1600	55	1.45	0.99	4792	1405	56	1.65	1.1	4205	1233	56	1.90	1.3	3738	1096	57	2.15	1.5	3264	957	57	2.45	1.7	2851	836	57	2.80	0.99	4798	1407	22	0.90	GR107R77 GRF107R77			4P	1.1	4123					1209	29	1.05							1.3	3598	1055	31	1.20	1.5	3134	919	33	1.35	1.7	2779	815	34	1.55	1.9	2445	717	34	1.75	2.2	2135	626	35	2.00	0.99	4774	1400	24	0.90	GR107R77 GRF107R77	4P	1.1		4181	1226		29					1.05	1.3	3765							1104	31	1.15	1.5	3202	939	33	1.35	1.7	2803	822	34	1.55	1.5	3199	938	4.4	0.95	1.7	2810	824	21	1.05	1.9	2513	737	23	1.20	2.2	2155	632	24	1.40	2.5	1910	560	25	1.55	2.9	1651	484	26	1.80	3.2	1470	431	26	2.00	3.7	1293	379	27	2.30																																										
231	14	5.76	1.2	3.60			261	12	5.09	1.2	3.90	295	11	4.51	1.1	4.20	347	9.4	3.83	1.1	4.60	198	16	13.84	1.3	4.60	GR17 GRF17	2P	0.13	40123.1	10618	128	0.90			GR147R77 GRF147R77	4P	211	15	12.98					1.3	4.90	239					14	11.45	1.3					5.30			270	12			10.15					1.2			5.70	317					10			8.63	1.2	6.30					363	9.0	7.55	1.1	5.50	389	8.4			7.04	1.1	5.80	446	7.3	6.15	1.0	6.60	476	6.8	5.76	1.0	6.90	538	6.0	5.09	1.0	7.50	608	5.4	4.51	0.9	8.00	715	4.5	3.83	0.9	8.80	172	20	5.18	4.3	3.70	GRX67 GRXF67	6P	0.24	21508.8	5692	128	1.70			GR167R97 GRF167R97	4P	196	18	4.53							4.2	4.60	207	17	4.30	4.1	4.70			236	15			3.77	3.9	5.90	219	16	6.07	4.0	2.80	GRX67 GRXF67	4P	0.26	18522	5431	114	0.95			GR147R77 GRF147R77	4P	257	13	5.18									3.8	5.60	294															12	4.53			3.6					7.10	309	11	4.30			3.6	7.30	353	10		3.77	3.4		9.00			416	8	3.20	3.2	12	460	7	2.89	3.1	14	524	7	2.54	3.0	18	554	6	2.40	3.0	20	652	5	2.04	2.8	26	205	17	4.35	3.3	4.00	GRX57 GRXF57	6P	0.27	19101.7	5055	128	1.90			GR137R77 GRF137R77	4P	235	15	3.79				3.2	4.60		251	14	3.55	3.1	5.00	242	14		5.50	3.1		2.80	GRX57 GRXF57	4P	0.28	16250	4935	25	0.80			GR107R77 GRF107R77	4P	262			13					5.07												3.0	2.80		306	11	4.35			2.9	6.10			351	9.8	3.79	2.8	7.10	0.23	20721	6076	114	0.85	GR97R57 GRF97R57	4P	0.30	15991	4689	114	1.10			0.33	14201	4164			114			1.25			0.55	8662	2540			66		1.50	0.63		7554	2215	67	1.70	0.71	6643	1948	68	1.95	0.82	5784	1696	69	2.25	0.91	5208	1527	69	2.50	1.0	4543	1332	70	2.85	1.2	3987	1169	70	3.25	0.55	8563	2511	49	0.95	GR107R77 GRF107R77	4P	0.52	9078	2662	47	0.90			0.58	8239	2416	50	0.95			0.67	7080		2076										52					1.10	0.75	6282	1842	54	1.25	0.87	5457	1600	55	1.45	0.99	4792	1405	56	1.65	1.1	4205	1233	56	1.90	1.3	3738	1096	57	2.15	1.5	3264	957	57	2.45	1.7	2851	836	57	2.80	0.99	4798	1407	22	0.90	GR107R77 GRF107R77	4P	1.1	4123	1209	29	1.05					1.3	3598	1055			31	1.20	1.5	3134							919	33	1.35	1.7	2779	815	34	1.55	1.9	2445	717	34	1.75	2.2	2135	626	35	2.00	0.99	4774	1400	24	0.90	GR107R77 GRF107R77	4P	1.1	4181	1226	29	1.05			1.3		3765	1104		31	1.15	1.5			3202	939	33							1.35	1.7	2803	822	34	1.55	1.5	3199	938	4.4	0.95	1.7	2810	824	21	1.05	1.9	2513	737	23	1.20	2.2	2155	632	24	1.40	2.5	1910	560	25	1.55	2.9	1651	484	26	1.80	3.2	1470	431	26	2.00	3.7	1293	379	27	2.30																																																	
261	12	5.09	1.2	3.90			295	11	4.51	1.1	4.20	347	9.4	3.83	1.1	4.60	198	16	13.84	1.3	4.60	GR17 GRF17	2P	0.13	40123.1	10618			128	0.90	GR147R77 GRF147R77	4P	211					15	12.98	1.3					4.90	239	14					11.45	1.3	5.30					270			12	10.15			1.2					5.70			317	10					8.63			1.2	6.30	363			9.0	7.55	1.1	5.50	389	8.4	7.04	1.1	5.80	446	7.3	6.15	1.0	6.60	476	6.8	5.76	1.0	6.90	538	6.0	5.09	1.0	7.50	608	5.4	4.51	0.9	8.00	715	4.5	3.83	0.9	8.80	172	20	5.18	4.3	3.70	GRX67 GRXF67	6P	0.24	21508.8	5692			128	1.70	GR167R97 GRF167R97	4P	196					18	4.53	4.2				4.60	207		17	4.30	4.1	4.70	236	15	3.77		3.9	5.90	219	16		6.07	4.0	2.80	GRX67 GRXF67	4P	0.26	18522	5431			114	0.95	GR147R77 GRF147R77	4P	257					13	5.18	3.8									5.60	294	12															4.53	3.6			7.10		309	11		4.30	3.6	7.30	353			10	3.77	3.4	9.00	416	8	3.20	3.2	12			460	7	2.89	3.1	14	524	7	2.54	3.0	18	554	6	2.40	3.0	20	652	5	2.04	2.8	26	205	17	4.35	3.3	4.00	GRX57 GRXF57	6P	0.27	19101.7	5055			128	1.90	GR137R77 GRF137R77	4P	235					15	3.79	3.2			4.60	251	14	3.55	3.1	5.00	242	14	5.50	3.1	2.80	GRX57 GRXF57	4P	0.28	16250	4935			25	0.80	GR107R77 GRF107R77	4P	262					13			5.07					3.0					2.80	306						11	4.35		2.9	6.10	351			9.8	3.79	2.8	7.10	0.23	20721	6076	114	0.85	GR97R57 GRF97R57	4P	0.30	15991	4689			114	1.10	0.33	14201	4164			114	1.25	0.55			8662			2540			66	1.50	0.63			7554	2215	67	1.70	0.71	6643	1948	68	1.95	0.82	5784	1696	69	2.25	0.91	5208	1527	69	2.50	1.0	4543	1332	70	2.85	1.2	3987	1169	70	3.25	0.55	8563	2511	49	0.95	GR107R77 GRF107R77	4P	0.52	9078	2662			47	0.90	0.58	8239	2416			50	0.95	0.67	7080	2076			52	1.10		0.75		6282			1842					54					1.25	0.87	5457	1600	55	1.45	0.99	4792	1405	56	1.65	1.1	4205	1233	56	1.90	1.3	3738	1096	57	2.15	1.5	3264	957	57	2.45	1.7	2851	836	57	2.80	0.99	4798	1407	22	0.90	GR107R77 GRF107R77	4P	1.1	4123	1209			29	1.05	1.3	3598	1055					31	1.20	1.5			3134	919	33	1.35			1.7	2779			815	34	1.55	1.9	2445	717	34	1.75	2.2	2135	626	35	2.00	0.99	4774	1400	24	0.90	GR107R77 GRF107R77	4P	1.1	4181	1226			29	1.05	1.3	3765	1104			31		1.15	1.5		3202	939	33			1.35	1.7	2803	822	34					1.55	1.5	3199	938	4.4	0.95	1.7	2810	824	21	1.05	1.9	2513	737	23	1.20	2.2	2155	632	24	1.40	2.5	1910	560	25	1.55	2.9	1651	484	26	1.80	3.2	1470	431	26	2.00	3.7	1293	379	27	2.30																																																						
295	11	4.51	1.1	4.20	347	9.4	3.83	1.1	4.60	198	16	13.84	1.3	4.60	GR17 GRF17	2P	0.13	40123.1	10618	128	0.90			GR147R77 GRF147R77	4P	211			15	12.98			1.3					4.90	239	14					11.45	1.3	5.30					270	12	10.15					1.2			5.70	317			10					8.63			1.2	6.30			363	9.0	7.55			1.1	5.50	389	8.4	7.04	1.1	5.80	446	7.3	6.15	1.0	6.60	476	6.8	5.76	1.0	6.90	538	6.0	5.09	1.0	7.50	608	5.4	4.51	0.9	8.00	715	4.5	3.83	0.9	8.80	172	20	5.18	4.3	3.70	GRX67 GRXF67	6P	0.24	21508.8	5692	128	1.70			GR167R97 GRF167R97	4P	196			18	4.53			4.2					4.60	207	17	4.30	4.1		4.70	236		15	3.77	3.9	5.90	219	16	6.07	4.0	2.80	GRX67 GRXF67	4P	0.26	18522	5431	114	0.95			GR147R77 GRF147R77	4P	257			13	5.18			3.8					5.60	294	12									4.53	3.6	7.10															309	11			4.30	3.6	7.30	353	10	3.77	3.4	9.00	416			8	3.20	3.2	12	460	7	2.89	3.1	14	524	7	2.54	3.0	18	554	6	2.40	3.0	20	652	5	2.04	2.8	26	205	17	4.35	3.3	4.00	GRX57 GRXF57	6P	0.27	19101.7	5055	128	1.90			GR137R77 GRF137R77	4P	235			15	3.79			3.2	4.60	251			14	3.55	3.1	5.00	242	14	5.50	3.1	2.80	GRX57 GRXF57	4P	0.28	16250	4935	25	0.80			GR107R77 GRF107R77	4P	262			13	5.07			3.0					2.80			306			11	4.35	2.9					6.10	351	9.8	3.79				2.8	7.10		0.23	20721	6076			114	0.85	GR97R57 GRF97R57	4P	0.30	15991	4689	114	1.10			0.33	14201	4164			114	1.25	0.55	8662	2540			66	1.50	0.63			7554			2215			67	1.70	0.71	6643	1948	68	1.95	0.82	5784	1696	69	2.25	0.91	5208	1527	69	2.50	1.0	4543	1332	70	2.85	1.2	3987	1169	70	3.25	0.55	8563	2511	49	0.95	GR107R77 GRF107R77	4P	0.52	9078	2662	47	0.90			0.58	8239	2416			50	0.95	0.67	7080	2076			52	1.10	0.75	6282	1842			54	1.25		0.87		5457			1600					55	1.45	0.99			4792	1405	56	1.65	1.1	4205	1233	56	1.90	1.3	3738	1096	57	2.15	1.5	3264	957	57	2.45	1.7	2851	836	57	2.80	0.99	4798	1407	22	0.90	GR107R77 GRF107R77	4P	1.1	4123	1209	29	1.05			1.3	3598	1055			31	1.20	1.5	3134	919					33	1.35	1.7			2779	815	34	1.55		1.9	2445	717	34		1.75	2.2	2135	626	35	2.00	0.99	4774	1400	24	0.90	GR107R77 GRF107R77	4P	1.1	4181	1226	29	1.05			1.3	3765	1104			31	1.15	1.5	3202	939			33		1.35	1.7		2803	822	34			1.55	1.5	3199	938	4.4		0.95	1.7		2810	824	21	1.05	1.9	2513	737	23	1.20	2.2	2155	632	24	1.40	2.5	1910	560	25	1.55	2.9	1651	484	26	1.80	3.2	1470	431	26	2.00	3.7	1293	379	27	2.30																																																													
347	9.4	3.83	1.1	4.60	198	16	13.84	1.3	4.60	GR17 GRF17	2P	0.13	40123.1	10618			128	0.90	GR147R77 GRF147R77	4P	211					15			12.98	1.3			4.90					239	14	11.45					1.3	5.30	270					12	10.15	1.2					5.70			317	10			8.63					1.2	6.30	363	9.0	7.55			1.1	5.50	389	8.4	7.04	1.1	5.80	446	7.3	6.15	1.0	6.60	476	6.8	5.76	1.0	6.90	538	6.0	5.09	1.0	7.50	608	5.4	4.51	0.9	8.00	715	4.5	3.83	0.9	8.80	172	20	5.18	4.3	3.70	GRX67 GRXF67	6P	0.24	21508.8	5692			128	1.70	GR167R97 GRF167R97	4P	196					18			4.53	4.2			4.60	207	17			4.30	4.1	4.70	236	15	3.77	3.9	5.90	219	16	6.07	4.0	2.80	GRX67 GRXF67	4P	0.26	18522	5431			114	0.95	GR147R77 GRF147R77	4P	257					13			5.18	3.8			5.60					294	12	4.53									3.6	7.10	309													11	4.30	3.6	7.30			353	10	3.77	3.4	9.00	416	8	3.20	3.2	12	460	7	2.89	3.1	14	524	7	2.54	3.0	18	554	6	2.40	3.0	20	652	5	2.04	2.8	26	205	17	4.35	3.3	4.00	GRX57 GRXF57	6P	0.27	19101.7	5055			128	1.90	GR137R77 GRF137R77	4P	235					15	3.79	3.2	4.60	251			14	3.55	3.1	5.00	242	14	5.50	3.1	2.80	GRX57 GRXF57	4P	0.28	16250	4935			25	0.80	GR107R77 GRF107R77	4P	262					13			5.07	3.0			2.80					306	11	4.35	2.9			6.10	351	9.8		3.79	2.8		7.10	0.23	20721	6076				114	0.85		GR97R57 GRF97R57	4P	0.30			15991	4689			114	1.10	0.33	14201	4164			114	1.25	0.55			8662	2540	66	1.50	0.63			7554	2215	67	1.70	0.71	6643			1948			68	1.95	0.82	5784	1696	69	2.25	0.91	5208	1527	69	2.50	1.0	4543	1332	70	2.85	1.2	3987	1169	70	3.25	0.55	8563	2511	49	0.95	GR107R77 GRF107R77	4P	0.52	9078	2662			47	0.90	0.58	8239	2416			50	0.95	0.67			7080	2076	52	1.10	0.75			6282	1842	54	1.25	0.87			5457	1600		55		1.45	0.99	4792	1405					56	1.65	1.1			4205	1233	56	1.90	1.3	3738	1096	57	2.15	1.5	3264	957	57	2.45	1.7	2851	836	57	2.80	0.99	4798	1407	22	0.90	GR107R77 GRF107R77	4P	1.1	4123	1209			29	1.05	1.3	3598	1055			31	1.20	1.5			3134	919	33	1.35	1.7		2779	815		34	1.55	1.9			2445	717	34	1.75		2.2	2135	626	35		2.00	0.99	4774	1400	24	0.90	GR107R77 GRF107R77	4P	1.1	4181	1226			29	1.05	1.3	3765	1104			31	1.15	1.5			3202	939	33	1.35	1.7			2803	822	34	1.55	1.5	3199	938	4.4			0.95	1.7	2810	824	21		1.05	1.9		2513	737	23	1.20	2.2	2155	632	24	1.40	2.5	1910	560	25	1.55	2.9	1651	484	26	1.80	3.2	1470	431	26	2.00	3.7	1293	379	27	2.30																																																																		
198	16	13.84	1.3	4.60	GR17 GRF17	2P	0.13	40123.1	10618			128	0.90	GR147R77 GRF147R77			4P																																																																																																																																																																																																																																																																																																																																																																																																																																																																																																																																																																																																																																																																						
211	15	12.98	1.3	4.90			239	14	11.45			1.3	5.30					270			12					10.15			1.2	5.70			317					10	8.63	1.2					6.30	363	9.0					7.55	1.1	5.50					389	8.4	7.04	1.1	5.80			446	7.3	6.15	1.0	6.60	476	6.8	5.76	1.0	6.90	538	6.0	5.09	1.0	7.50	608	5.4	4.51	0.9	8.00	715	4.5	3.83	0.9	8.80	172	20	5.18	4.3	3.70	GRX67 GRXF67	6P	0.24	21508.8	5692	128	1.70	GR167R97 GRF167R97	4P	196	18	4.53	4.2	4.60	207	17	4.30	4.1	4.70			236	15	3.77			3.9	5.90			219	16	6.07			4.0	2.80	GRX67 GRXF67	4P	0.26	18522	5431	114	0.95	GR147R77 GRF147R77	4P	257	13	5.18	3.8	5.60	294	12	4.53	3.6	7.10	309	11	4.30	3.6			7.30	353	10			3.77	3.4			9.00					416			8	3.20			3.2					12	460	7									2.89	3.1	14	524	7						2.54	3.0	18	554		6	2.40	3.0	20	652	5	2.04	2.8	26	205	17	4.35	3.3	4.00	GRX57 GRXF57	6P	0.27	19101.7	5055	128	1.90	GR137R77 GRF137R77	4P	235	15	3.79	3.2	4.60	251	14	3.55	3.1	5.00	242	14	5.50	3.1	2.80	GRX57 GRXF57	4P	0.28			16250	4935	25	0.80	GR107R77 GRF107R77	4P	262			13	5.07	3.0	2.80	306	11	4.35	2.9	6.10	351	9.8	3.79	2.8	7.10	0.23	20721	6076	114	0.85	GR97R57 GRF97R57	4P			0.30	15991	4689			114	1.10			0.33					14201			4164	114			1.25					0.55	8662	2540	66	1.50	0.63	7554	2215	67	1.70	0.71	6643	1948	68	1.95	0.82	5784			1696	69	2.25	0.91			5208	1527	69	2.50	1.0			4543	1332	70	2.85	1.2			3987	1169	70			3.25	0.55	8563	2511	49			0.95	GR107R77 GRF107R77	4P	0.52	9078	2662	47	0.90	0.58	8239	2416	50	0.95	0.67	7080	2076	52	1.10	0.75	6282	1842	54	1.25	0.87	5457	1600	55	1.45	0.99	4792	1405	56	1.65	1.1	4205	1233	56	1.90			1.3	3738	1096			57	2.15	1.5	3264	957			57	2.45	1.7			2851	836	57	2.80	0.99			4798	1407	22	0.90	GR107R77 GRF107R77			4P	1.1		4123		1209	29	1.05	1.3	3598	1055	31	1.20	1.5	3134	919			33	1.35	1.7	2779	815	34	1.55	1.9	2445	717	34	1.75	2.2	2135	626	35	2.00	0.99	4774	1400	24	0.90	GR107R77 GRF107R77	4P			1.1	4181	1226			29	1.05	1.3	3765	1104			31	1.15	1.5			3202	939	33	1.35	1.7		2803	822		34	1.55	1.5	3199	938	4.4	0.95	1.7	2810	824	21	1.05	1.9	2513	737	23	1.20	2.2	2155	632	24			1.40	2.5	1910			560	25	1.55	2.9	1651			484	26	1.80			3.2	1470	431	26	2.00			3.7	1293	379	27	2.30																																																																																																													
239	14	11.45	1.3	5.30			270	12	10.15			1.2	5.70					317			10					8.63			1.2	6.30			363					9.0	7.55	1.1					5.50	389	8.4					7.04	1.1	5.80	446	7.3			6.15	1.0	6.60	476	6.8	5.76	1.0	6.90	538	6.0	5.09	1.0	7.50	608	5.4	4.51	0.9	8.00	715	4.5	3.83	0.9	8.80	172	20	5.18	4.3	3.70	GRX67 GRXF67	6P	0.24	21508.8	5692	128	1.70	GR167R97 GRF167R97	4P			196	18	4.53	4.2	4.60			207	17	4.30	4.1	4.70	236	15	3.77	3.9	5.90			219	16	6.07	4.0	2.80	GRX67 GRXF67	4P			0.26	18522	5431	114	0.95	GR147R77 GRF147R77	4P			257	13	5.18	3.8	5.60			294	12	4.53	3.6	7.10	309	11	4.30	3.6	7.30	353	10	3.77	3.4			9.00	416	8			3.20	3.2			12					460			7	2.89			3.1					14	524	7							2.54	3.0	18	554	6	2.40	3.0			20	652		5	2.04	2.8	26		205	17	4.35	3.3	4.00	GRX57 GRXF57	6P	0.27	19101.7	5055	128	1.90	GR137R77 GRF137R77	4P			235	15	3.79	3.2	4.60			251	14	3.55	3.1	5.00	242	14	5.50	3.1	2.80	GRX57 GRXF57	4P	0.28	16250	4935			25	0.80	GR107R77 GRF107R77	4P	262	13	5.07			3.0	2.80	306	11	4.35	2.9	6.10	351	9.8	3.79	2.8	7.10	0.23	20721	6076	114	0.85	GR97R57 GRF97R57	4P	0.30	15991	4689					114	1.10	0.33			14201	4164			114					1.25			0.55	8662			2540	66	1.50			0.63	7554	2215	67	1.70	0.71	6643	1948	68	1.95	0.82	5784	1696	69	2.25	0.91	5208	1527	69	2.50	1.0	4543	1332			70	2.85	1.2	3987	1169			70	3.25	0.55	8563	2511			49	0.95	GR107R77 GRF107R77			4P	0.52	9078	2662	47	0.90	0.58	8239			2416	50	0.95	0.67	7080	2076	52	1.10	0.75	6282	1842	54	1.25	0.87	5457	1600	55	1.45	0.99	4792	1405	56	1.65	1.1	4205	1233	56	1.90	1.3	3738	1096	57	2.15	1.5	3264			957	57	2.45			1.7	2851	836	57	2.80			0.99	4798	1407			22	0.90	GR107R77 GRF107R77	4P	1.1			4123	1209	29	1.05		1.3	3598		1055		31		1.20	1.5	3134	919	33	1.35	1.7	2779	815	34	1.55			1.9	2445	717	34	1.75	2.2	2135	626	35	2.00	0.99	4774	1400	24	0.90	GR107R77 GRF107R77	4P	1.1	4181	1226	29	1.05					1.3	3765	1104			31	1.15	1.5	3202	939			33	1.35	1.7			2803	822	34	1.55	1.5	3199	938	4.4	0.95	1.7	2810	824	21	1.05	1.9	2513	737	23	1.20	2.2	2155	632	24	1.40	2.5	1910	560	25	1.55	2.9			1651	484	26			1.80	3.2	1470	431	26			2.00	3.7	1293			379	27	2.30																																																																																																																						
270	12	10.15	1.2	5.70			317	10	8.63			1.2	6.30					363			9.0					7.55			1.1	5.50			389					8.4	7.04	1.1					5.80	446	7.3	6.15	1.0			6.60	476	6.8	5.76	1.0	6.90	538	6.0	5.09	1.0	7.50	608	5.4	4.51	0.9	8.00	715	4.5	3.83	0.9	8.80	172	20	5.18	4.3	3.70	GRX67 GRXF67	6P	0.24	21508.8	5692	128	1.70	GR167R97 GRF167R97	4P			196	18	4.53	4.2	4.60					207	17	4.30	4.1	4.70			236	15	3.77	3.9	5.90	219	16	6.07	4.0	2.80	GRX67 GRXF67	4P	0.26	18522	5431	114	0.95			GR147R77 GRF147R77	4P	257	13	5.18	3.8	5.60					294	12	4.53	3.6	7.10			309	11	4.30	3.6	7.30	353	10	3.77	3.4	9.00	416	8	3.20	3.2			12	460	7			2.89	3.1			14					524			7	2.54			3.0					18	554	6				2.40	3.0		20	652	5	2.04	2.8	26	205		17	4.35	3.3	4.00	GRX57 GRXF57	6P	0.27	19101.7		5055	128	1.90	GR137R77 GRF137R77	4P			235	15	3.79	3.2	4.60					251	14	3.55	3.1	5.00			242	14	5.50	3.1	2.80	GRX57 GRXF57	4P	0.28	16250	4935			25	0.80	GR107R77 GRF107R77			4P	262			13	5.07	3.0			2.80	306	11	4.35	2.9	6.10	351	9.8	3.79	2.8	7.10	0.23	20721	6076	114	0.85	GR97R57 GRF97R57			4P	0.30	15991					4689	114	1.10			0.33	14201			4164					114	1.25	0.55	8662	2540			66	1.50	0.63	7554	2215	67	1.70	0.71	6643	1948	68	1.95	0.82	5784	1696	69	2.25	0.91	5208	1527	69	2.50	1.0	4543	1332	70	2.85	1.2			3987	1169	70	3.25	0.55			8563	2511	49	0.95	GR107R77 GRF107R77			4P	0.52		9078	2662		47	0.90	0.58	8239	2416	50	0.95			0.67	7080	2076	52	1.10	0.75	6282	1842	54	1.25	0.87	5457	1600	55	1.45	0.99	4792	1405	56	1.65	1.1	4205	1233	56	1.90	1.3	3738	1096	57	2.15	1.5	3264	957	57	2.45			1.7	2851	836			57	2.80	0.99	4798	1407			22	0.90	GR107R77 GRF107R77			4P	1.1			4123			1209	29	1.05	1.3		3598	1055		31	1.20	1.5	3134	919	33	1.35	1.7	2779	815	34	1.55	1.9	2445	717			34	1.75	2.2	2135	626	35	2.00	0.99	4774	1400	24	0.90	GR107R77 GRF107R77	4P	1.1			4181	1226	29	1.05	1.3					3765	1104	31			1.15	1.5	3202	939	33			1.35	1.7	2803	822	34	1.55	1.5	3199	938	4.4	0.95	1.7	2810	824	21	1.05	1.9	2513	737	23	1.20	2.2	2155	632	24	1.40	2.5	1910	560	25	1.55	2.9	1651	484	26			1.80	3.2	1470			431	26	2.00	3.7	1293			379	27	2.30																																																																																																																											
317	10	8.63	1.2	6.30			363	9.0	7.55			1.1	5.50					389			8.4					7.04			1.1	5.80			446					7.3	6.15	1.0	6.60	476			6.8	5.76	1.0	6.90	538	6.0	5.09	1.0	7.50	608	5.4	4.51	0.9	8.00	715	4.5	3.83	0.9	8.80	172	20	5.18	4.3	3.70	GRX67 GRXF67	6P	0.24	21508.8	5692	128	1.70	GR167R97 GRF167R97	4P			196	18	4.53	4.2	4.60					207	17	4.30	4.1	4.70					236	15	3.77	3.9	5.90			219	16	6.07	4.0	2.80	GRX67 GRXF67	4P	0.26	18522	5431			114	0.95	GR147R77 GRF147R77	4P	257					13	5.18	3.8	5.60	294					12	4.53	3.6	7.10	309			11	4.30	3.6	7.30	353	10	3.77	3.4	9.00	416	8	3.20	3.2	12			460	7	2.89			3.1	14			524					7			2.54	3.0			18					554	6	2.40	3.0	20		652	5		2.04	2.8	26	205	17	4.35	3.3	4.00	GRX57 GRXF57	6P	0.27	19101.7			5055	128	1.90	GR137R77 GRF137R77	4P	235					15	3.79	3.2	4.60	251			14	3.55	3.1	5.00	242	14	5.50	3.1	2.80	GRX57 GRXF57	4P	0.28	16250	4935			25	0.80	GR107R77 GRF107R77			4P	262					13			5.07	3.0	2.80			306	11	4.35	2.9	6.10	351	9.8	3.79	2.8	7.10	0.23	20721	6076	114	0.85	GR97R57 GRF97R57					4P	0.30					15991	4689	114			1.10	0.33			14201	4164	114			1.25	0.55	8662	2540	66	1.50	0.63	7554	2215	67	1.70	0.71	6643	1948	68	1.95	0.82	5784	1696	69	2.25	0.91	5208	1527	69	2.50	1.0	4543	1332	70	2.85	1.2	3987	1169	70			3.25	0.55	8563	2511	49			0.95	GR107R77 GRF107R77	4P	0.52		9078	2662		47		0.90	0.58		8239	2416	50	0.95	0.67	7080	2076			52	1.10	0.75	6282	1842	54	1.25	0.87	5457	1600	55	1.45	0.99	4792	1405	56	1.65	1.1	4205	1233	56	1.90	1.3	3738	1096	57	2.15	1.5	3264	957	57	2.45	1.7	2851	836			57	2.80	0.99			4798	1407	22	0.90	GR107R77 GRF107R77			4P	1.1					4123			1209			29	1.05	1.3	3598		1055	31		1.20	1.5	3134	919	33	1.35	1.7	2779	815	34	1.55	1.9	2445	717	34	1.75	2.2	2135	626	35	2.00	0.99	4774	1400	24	0.90	GR107R77 GRF107R77	4P	1.1			4181			1226	29	1.05	1.3	3765					1104	31	1.15			1.5	3202	939	33	1.35	1.7	2803	822	34	1.55	1.5	3199	938	4.4	0.95	1.7	2810	824	21	1.05	1.9	2513	737	23	1.20	2.2	2155	632	24	1.40	2.5	1910	560	25	1.55	2.9	1651	484	26	1.80	3.2	1470			431	26	2.00			3.7	1293	379	27	2.30																																																																																																																																
363	9.0	7.55	1.1	5.50			389	8.4	7.04			1.1	5.80					446			7.3					6.15			1.0	6.60			476	6.8	5.76			1.0	6.90	538	6.0	5.09	1.0	7.50	608	5.4	4.51	0.9	8.00	715	4.5	3.83	0.9	8.80	172	20	5.18	4.3	3.70	GRX67 GRXF67	6P	0.24	21508.8	5692	128	1.70	GR167R97 GRF167R97	4P			196	18	4.53	4.2	4.60					207	17	4.30	4.1	4.70					236	15	3.77	3.9	5.90			219	16	6.07	4.0	2.80	GRX67 GRXF67	4P	0.26	18522	5431	114	0.95	GR147R77 GRF147R77	4P			257	13	5.18			3.8	5.60			294					12	4.53	3.6	7.10	309					11	4.30	3.6	7.30	353			10	3.77	3.4	9.00	416	8	3.20	3.2	12	460	7	2.89	3.1	14			524	7	2.54			3.0	18			554					6			2.40	3.0			20	652	5			2.04	2.8	26	205	17	4.35	3.3	4.00	GRX57 GRXF57	6P	0.27	19101.7	5055	128	1.90	GR137R77 GRF137R77	4P			235	15			3.79	3.2	4.60			251			14	3.55	3.1	5.00	242	14	5.50	3.1	2.80	GRX57 GRXF57	4P	0.28	16250	4935	25	0.80	GR107R77 GRF107R77	4P			262	13	5.07			3.0	2.80					306					11			4.35	2.9	6.10			351	9.8	3.79	2.8	7.10	0.23	20721	6076	114	0.85	GR97R57 GRF97R57	4P	0.30	15991	4689							114					1.10	0.33	14201	4164	114	1.25	0.55			8662	2540	66	1.50	0.63	7554	2215	67	1.70	0.71	6643	1948	68	1.95	0.82	5784	1696	69	2.25	0.91	5208	1527	69	2.50	1.0	4543	1332	70	2.85	1.2	3987	1169	70	3.25	0.55	8563	2511	49	0.95	GR107R77 GRF107R77			4P	0.52	9078	2662	47	0.90	0.58	8239			2416		50	0.95		0.67		7080	2076		52	1.10	0.75	6282	1842	54	1.25			0.87	5457	1600	55	1.45	0.99	4792	1405	56	1.65	1.1	4205	1233	56	1.90	1.3	3738	1096	57	2.15	1.5	3264	957	57	2.45	1.7	2851	836	57	2.80	0.99	4798	1407	22	0.90			GR107R77 GRF107R77	4P	1.1			4123	1209	29	1.05					1.3					3598			1055	31	1.20	1.5	3134	919	33		1.35	1.7		2779	815	34	1.55	1.9	2445	717	34	1.75	2.2	2135	626	35	2.00	0.99	4774	1400	24	0.90	GR107R77 GRF107R77	4P	1.1	4181	1226	29	1.05			1.3			3765			1104	31	1.15	1.5	3202					939	33	1.35	1.7	2803	822	34	1.55	1.5	3199	938	4.4	0.95	1.7	2810	824	21	1.05	1.9	2513	737	23	1.20	2.2	2155	632	24	1.40	2.5	1910	560	25	1.55	2.9	1651	484	26	1.80	3.2	1470	431	26	2.00	3.7	1293	379	27			2.30																																																																																																																																									
389	8.4	7.04	1.1	5.80			446	7.3	6.15			1.0	6.60					476			6.8					5.76	1.0	6.90	538	6.0			5.09	1.0	7.50	608	5.4	4.51	0.9	8.00	715	4.5	3.83	0.9	8.80	172	20	5.18	4.3	3.70	GRX67 GRXF67	6P	0.24	21508.8	5692	128	1.70	GR167R97 GRF167R97	4P			196	18	4.53	4.2	4.60					207	17	4.30	4.1	4.70					236	15	3.77	3.9	5.90			219	16	6.07	4.0	2.80	GRX67 GRXF67	4P	0.26	18522	5431	114	0.95	GR147R77 GRF147R77	4P			257	13	5.18	3.8	5.60					294	12	4.53			3.6	7.10			309					11	4.30	3.6	7.30	353					10	3.77	3.4	9.00	416			8	3.20	3.2	12	460	7	2.89	3.1	14	524	7	2.54	3.0	18			554	6	2.40			3.0	20			652					5	2.04	2.8	26	205			17	4.35	3.3	4.00	GRX57 GRXF57	6P	0.27	19101.7	5055	128	1.90	GR137R77 GRF137R77	4P			235	15	3.79	3.2	4.60					251	14	3.55	3.1	5.00	242	14			5.50	3.1	2.80	GRX57 GRXF57	4P	0.28	16250	4935	25	0.80	GR107R77 GRF107R77	4P			262	13	5.07	3.0	2.80					306	11	4.35			2.9	6.10					351					9.8			3.79	2.8	7.10			0.23	20721	6076	114	0.85	GR97R57 GRF97R57	4P	0.30	15991	4689			114	1.10	0.33							14201			4164	114	1.25	0.55	8662	2540	66	1.50	0.63	7554	2215	67	1.70	0.71	6643	1948	68	1.95	0.82	5784	1696	69	2.25	0.91	5208	1527	69	2.50	1.0	4543	1332	70	2.85	1.2	3987	1169	70	3.25	0.55	8563	2511	49	0.95	GR107R77 GRF107R77	4P	0.52	9078	2662	47	0.90		0.58	8239		2416	50	0.95	0.67	7080	2076	52			1.10		0.75	6282		1842		54	1.25		0.87	5457	1600	55	1.45	0.99	4792			1405	56	1.65	1.1	4205	1233	56	1.90	1.3	3738	1096	57	2.15	1.5	3264	957	57	2.45	1.7	2851	836	57	2.80	0.99	4798	1407	22	0.90	GR107R77 GRF107R77	4P	1.1	4123	1209	29	1.05					1.3			3598	1055	31	1.20					1.5		3134	919		33			1.35	1.7	2779	815	34	1.55	1.9		2445	717		34	1.75	2.2	2135	626	35	2.00	0.99	4774	1400	24	0.90	GR107R77 GRF107R77	4P	1.1	4181	1226	29	1.05			1.3	3765	1104	31	1.15			1.5			3202			939	33	1.35	1.7	2803			822	34	1.55	1.5	3199	938	4.4	0.95	1.7	2810	824	21	1.05	1.9	2513	737	23	1.20	2.2	2155	632	24	1.40	2.5	1910	560	25	1.55	2.9	1651	484	26	1.80	3.2	1470	431	26	2.00	3.7	1293	379	27	2.30																																																																																																																																																		
446	7.3	6.15	1.0	6.60			476	6.8	5.76			1.0	6.90					538			6.0	5.09	1.0			7.50	608	5.4	4.51	0.9	8.00	715	4.5	3.83	0.9	8.80	172	20	5.18	4.3	3.70	GRX67 GRXF67	6P	0.24	21508.8	5692	128	1.70	GR167R97 GRF167R97	4P			196	18	4.53	4.2	4.60					207	17	4.30	4.1	4.70					236	15	3.77	3.9	5.90			219	16	6.07	4.0	2.80	GRX67 GRXF67	4P	0.26	18522	5431	114	0.95	GR147R77 GRF147R77	4P			257	13	5.18	3.8	5.60					294	12	4.53	3.6	7.10					309	11	4.30			3.6	7.30			353					10	3.77	3.4	9.00	416					8	3.20	3.2	12	460			7	2.89	3.1	14	524	7	2.54	3.0	18	554	6	2.40	3.0	20			652	5	2.04			2.8	26			205	17	4.35			3.3	4.00	GRX57 GRXF57	6P	0.27	19101.7	5055	128	1.90	GR137R77 GRF137R77	4P			235	15	3.79	3.2	4.60					251	14	3.55	3.1	5.00			242	14	5.50	3.1	2.80	GRX57 GRXF57	4P	0.28	16250	4935	25	0.80	GR107R77 GRF107R77	4P			262	13	5.07	3.0	2.80					306	11	4.35	2.9	6.10					351	9.8	3.79			2.8	7.10					0.23					20721			6076	114	0.85			GR97R57 GRF97R57	4P	0.30	15991	4689			114	1.10	0.33			14201	4164	114							1.25			0.55	8662	2540	66	1.50	0.63	7554	2215	67	1.70	0.71	6643	1948	68	1.95	0.82	5784	1696	69	2.25	0.91	5208	1527	69	2.50	1.0	4543	1332	70	2.85	1.2	3987	1169	70	3.25	0.55	8563	2511	49	0.95	GR107R77 GRF107R77	4P	0.52			9078	2662	47	0.90	0.58		8239	2416		50	0.95	0.67	7080	2076	52	1.10			0.75		6282	1842		54		1.25	0.87		5457	1600	55	1.45	0.99	4792	1405			56	1.65	1.1	4205	1233	56	1.90	1.3	3738	1096	57	2.15	1.5	3264	957	57	2.45	1.7	2851	836	57	2.80	0.99	4798	1407	22	0.90	GR107R77 GRF107R77			4P	1.1	4123	1209	29					1.05			1.3	3598	1055	31		1.20	1.5		3134		919	33		1.35			1.7	2779	815	34	1.55	1.9	2445		717	34		1.75	2.2	2135	626	35	2.00	0.99	4774	1400	24	0.90	GR107R77 GRF107R77			4P	1.1	4181	1226	29			1.05	1.3	3765	1104	31			1.15			1.5			3202	939	33	1.35	1.7			2803	822	34	1.55	1.5	3199	938	4.4	0.95	1.7	2810	824	21	1.05	1.9	2513	737	23	1.20	2.2	2155	632	24	1.40	2.5	1910	560	25	1.55	2.9	1651	484	26	1.80	3.2	1470	431	26	2.00	3.7	1293	379	27	2.30																																																																																																																																																	
476	6.8	5.76	1.0	6.90			538	6.0	5.09			1.0	7.50		608	5.4		4.51			0.9	8.00	715	4.5	3.83	0.9	8.80	172	20	5.18	4.3	3.70	GRX67 GRXF67	6P	0.24	21508.8	5692	128	1.70	GR167R97 GRF167R97	4P			196	18	4.53	4.2	4.60					207	17	4.30	4.1	4.70					236	15	3.77	3.9	5.90			219	16	6.07	4.0	2.80	GRX67 GRXF67	4P	0.26	18522	5431	114	0.95	GR147R77 GRF147R77	4P			257	13	5.18	3.8	5.60					294	12	4.53	3.6	7.10					309	11	4.30	3.6	7.30					353	10	3.77			3.4	9.00			416					8	3.20	3.2	12	460					7	2.89	3.1	14	524			7	2.54	3.0	18	554	6	2.40	3.0	20	652	5	2.04	2.8	26			205	17	4.35	3.3	4.00	GRX57 GRXF57	6P			0.27	19101.7	5055	128	1.90	GR137R77 GRF137R77	4P			235	15	3.79	3.2	4.60					251	14	3.55	3.1	5.00			242	14	5.50	3.1	2.80	GRX57 GRXF57	4P	0.28	16250	4935	25	0.80	GR107R77 GRF107R77	4P			262	13	5.07	3.0	2.80					306	11	4.35	2.9	6.10					351	9.8	3.79	2.8	7.10					0.23	20721	6076			114	0.85					GR97R57 GRF97R57		4P	0.30		15991			4689	114	1.10	0.33	14201			4164	114	1.25			0.55	8662	2540			66	1.50	0.63							7554	2215	67	1.70	0.71	6643	1948	68	1.95	0.82	5784	1696	69	2.25	0.91	5208	1527	69	2.50	1.0	4543	1332	70	2.85	1.2	3987	1169	70	3.25	0.55	8563	2511	49	0.95	GR107R77 GRF107R77	4P	0.52	9078	2662	47	0.90	0.58	8239			2416			50	0.95	0.67	7080	2076		52	1.10		0.75	6282	1842	54	1.25	0.87	5457			1600		55	1.45		0.99		4792	1405		56	1.65	1.1	4205	1233	56	1.90			1.3	3738	1096	57	2.15	1.5	3264	957	57	2.45	1.7	2851	836	57	2.80	0.99	4798	1407	22	0.90	GR107R77 GRF107R77	4P	1.1	4123	1209	29	1.05					1.3	3598	1055	31					1.20	1.5	3134	919	33	1.35	1.7		2779	815		34		1.55	1.9		2445			717	34	1.75	2.2	2135	626	35	2.00	0.99	4774	1400	24	0.90	GR107R77 GRF107R77	4P	1.1	4181	1226	29	1.05	1.3	3765					1104	31	1.15	1.5			3202	939	33	1.35	1.7			2803			822			34	1.55	1.5	3199	938	4.4	0.95	1.7	2810	824	21	1.05	1.9	2513	737	23	1.20	2.2	2155	632	24	1.40	2.5	1910	560	25	1.55	2.9	1651	484	26	1.80	3.2	1470	431	26	2.00	3.7	1293	379	27	2.30																																																																																																																																																										
538	6.0	5.09	1.0	7.50																																																																																																																																																																																																																																																																																																																																																																																																																																																																																																																																																																																																																																																																																			
608	5.4	4.51	0.9	8.00	715	4.5	3.83	0.9	8.80	172	20	5.18	4.3	3.70	GRX67 GRXF67	6P	0.24	21508.8	5692	128	1.70	GR167R97 GRF167R97	4P	196	18	4.53	4.2	4.60	207	17	4.30	4.1			4.70	236	15	3.77	3.9					5.90	219	16	6.07	4.0			2.80	GRX67 GRXF67	4P	0.26	18522	5431	114	0.95	GR147R77 GRF147R77	4P	257	13	5.18	3.8	5.60	294	12	4.53	3.6	7.10	309	11	4.30			3.6	7.30	353	10	3.77					3.4	9.00	416	8	3.20					3.2	12	460	7	2.89					3.1	14	524	7	2.54					3.0	18	554			6	2.40			3.0					20	652	5	2.04	2.8					26	205	17	4.35	3.3			4.00	GRX57 GRXF57	6P	0.27	19101.7	5055	128	1.90	GR137R77 GRF137R77	4P	235	15	3.79	3.2	4.60	251	14	3.55	3.1	5.00	242			14	5.50	3.1	2.80	GRX57 GRXF57	4P	0.28			16250	4935	25	0.80	GR107R77 GRF107R77	4P	262	13	5.07	3.0	2.80	306	11	4.35	2.9	6.10	351	9.8	3.79	2.8	7.10	0.23	20721			6076	114	0.85	GR97R57 GRF97R57	4P					0.30	15991	4689	114	1.10					0.33	14201	4164	114	1.25					0.55	8662	2540	66	1.50					0.63	7554	2215	67	1.70	0.71	6643		1948	68			1.95		0.82	5784	1696	69	2.25	0.91	5208	1527	69	2.50			1.0	4543	1332			70	2.85	1.2			3987	1169	70		3.25	0.55	8563	2511		49	0.95	GR107R77 GRF107R77	4P	0.52	9078	2662	47	0.90	0.58	8239	2416	50	0.95	0.67	7080	2076	52	1.10	0.75	6282	1842	54	1.25	0.87	5457	1600	55	1.45	0.99	4792	1405	56	1.65			1.1	4205	1233	56	1.90	1.3	3738			1096			57	2.15	1.5	3264	957		57	2.45		1.7	2851	836	57	2.80	0.99	4798			1407		22	0.90		GR107R77 GRF107R77		4P	1.1		4123	1209	29	1.05	1.3	3598	1055			31	1.20	1.5	3134	919	33	1.35	1.7	2779	815	34	1.55	1.9	2445	717	34	1.75	2.2	2135	626			35	2.00	0.99	4774	1400					24	0.90	GR107R77 GRF107R77	4P	1.1	4181			1226	29	1.05	1.3	3765	1104	31		1.15	1.5		3202	939	33	1.35	1.7	2803	822	34	1.55	1.5	3199	938	4.4	0.95	1.7	2810	824	21	1.05	1.9	2513			737	23	1.20	2.2	2155	632	24					1.40	2.5	1910	560			25	1.55	2.9	1651	484			26	1.80	3.2	1470	431	26	2.00	3.7	1293	379	27	2.30																																																																																																																																																																																														
715	4.5	3.83	0.9	8.80	172	20	5.18	4.3	3.70	GRX67 GRXF67	6P	0.24	21508.8	5692			128	1.70	GR167R97 GRF167R97	4P	196			18	4.53	4.2	4.60	207	17	4.30	4.1	4.70			236	15	3.77	3.9	5.90			219	16	6.07	4.0	2.80	GRX67 GRXF67	4P	0.26	18522	5431			114	0.95	GR147R77 GRF147R77	4P	257			13	5.18	3.8	5.60	294	12	4.53	3.6	7.10	309	11	4.30	3.6			7.30	353	10	3.77	3.4					9.00	416	8	3.20	3.2					12	460	7	2.89	3.1					14	524	7	2.54	3.0					18	554	6			2.40	3.0			20					652	5	2.04	2.8	26			205	17	4.35	3.3	4.00	GRX57 GRXF57	6P	0.27	19101.7	5055			128	1.90	GR137R77 GRF137R77	4P	235			15	3.79	3.2	4.60	251	14	3.55	3.1	5.00	242	14	5.50	3.1	2.80	GRX57 GRXF57	4P	0.28			16250	4935	25	0.80	GR107R77 GRF107R77	4P	262			13	5.07	3.0	2.80	306	11	4.35	2.9	6.10	351	9.8	3.79	2.8	7.10	0.23	20721	6076			114	0.85	GR97R57 GRF97R57							4P	0.30	15991	4689	114					1.10	0.33	14201	4164	114					1.25	0.55	8662	2540	66			1.50	0.63	7554	2215	67	1.70	0.71	6643	1948	68	1.95	0.82	5784		1696		69	2.25	0.91	5208	1527	69	2.50	1.0	4543	1332			70	2.85	1.2			3987	1169	70			3.25	0.55	8563	2511	49	0.95	GR107R77 GRF107R77	4P	0.52	9078	2662			47	0.90	0.58	8239	2416	50	0.95	0.67	7080	2076	52	1.10	0.75	6282	1842	54	1.25	0.87	5457	1600	55	1.45	0.99	4792	1405	56	1.65	1.1	4205	1233			56	1.90	1.3	3738	1096	57	2.15			1.5			3264	957	57	2.45	1.7		2851	836		57	2.80	0.99	4798	1407	22	0.90			GR107R77 GRF107R77		4P	1.1					4123		1209	29	1.05	1.3	3598	1055	31	1.20	1.5	3134	919	33	1.35	1.7	2779	815	34	1.55	1.9	2445	717	34	1.75	2.2	2135	626	35	2.00	0.99			4774	1400	24	0.90	GR107R77 GRF107R77					4P	1.1			4181	1226			29	1.05	1.3	3765	1104	31	1.15	1.5	3202	939	33	1.35	1.7	2803	822	34	1.55	1.5	3199	938	4.4	0.95	1.7	2810	824	21	1.05	1.9	2513	737	23	1.20			2.2	2155	632	24	1.40	2.5	1910					560	25	1.55	2.9			1651	484	26	1.80	3.2	1470	431	26	2.00	3.7	1293	379	27	2.30																																																																																																																																																																																																			
172	20	5.18	4.3	3.70	GRX67 GRXF67	6P	0.24	21508.8	5692			128	1.70	GR167R97 GRF167R97			4P																																																																																																																																																																																																																																																																																																																																																																																																																																																																																																																																																																																																																																																																						
196	18	4.53	4.2	4.60			207	17	4.30			4.1	4.70					236			15			3.77	3.9	5.90	219	16	6.07	4.0	2.80	GRX67 GRXF67	4P	0.26	18522	5431	114	0.95	GR147R77 GRF147R77	4P	257	13	5.18	3.8	5.60	294			12	4.53	3.6			7.10	309			11			4.30	3.6	7.30	353	10	3.77	3.4	9.00	416	8	3.20	3.2	12			460	7	2.89	3.1	14					524	7	2.54	3.0	18					554	6	2.40	3.0	20					652	5	2.04	2.8	26					205	17	4.35	3.3	4.00	GRX57 GRXF57	6P			0.27	19101.7	5055	128	1.90	GR137R77 GRF137R77	4P	235	15	3.79	3.2	4.60	251	14	3.55	3.1	5.00			242	14	5.50	3.1	2.80	GRX57 GRXF57	4P			0.28	16250	4935	25	0.80	GR107R77 GRF107R77	4P	262	13	5.07	3.0	2.80	306	11	4.35	2.9	6.10			351			9.8	3.79	2.8	7.10			0.23			20721	6076	114	0.85	GR97R57 GRF97R57	4P	0.30	15991	4689	114	1.10	0.33	14201	4164	114	1.25	0.55			8662	2540									66	1.50	0.63	7554			2215	67	1.70	0.71	6643	1948	68	1.95	0.82	5784	1696	69	2.25	0.91	5208	1527	69	2.50	1.0	4543	1332	70	2.85	1.2	3987	1169	70	3.25	0.55	8563	2511		49		0.95	GR107R77 GRF107R77	4P	0.52	9078	2662	47	0.90	0.58	8239			2416	50	0.95	0.67	7080	2076	52	1.10	0.75	6282	1842	54	1.25	0.87	5457	1600			55	1.45	0.99			4792	1405	56	1.65	1.1	4205	1233	56	1.90	1.3	3738	1096	57	2.15	1.5	3264	957	57	2.45	1.7	2851	836	57	2.80	0.99	4798	1407	22	0.90	GR107R77 GRF107R77			4P	1.1	4123	1209	29	1.05	1.3			3598			1055	31	1.20	1.5	3134		919	33		1.35	1.7	2779	815	34	1.55	1.9				2445		717	34		1.75		2.2	2135	626	35	2.00	0.99	4774	1400	24	0.90	GR107R77 GRF107R77	4P	1.1	4181	1226	29	1.05	1.3	3765	1104	31	1.15	1.5	3202	939	33	1.35	1.7	2803	822	34			1.55	1.5	3199	938			4.4	0.95			1.7			2810	824	21	1.05	1.9	2513	737	23	1.20	2.2	2155	632	24	1.40	2.5	1910	560	25	1.55	2.9	1651	484	26	1.80	3.2	1470	431	26	2.00	3.7	1293	379	27	2.30																																																																																																																																																																																																																																						
207	17	4.30	4.1	4.70			236	15	3.77			3.9	5.90		219	16		6.07			4.0	2.80	GRX67 GRXF67	4P	0.26	18522	5431	114	0.95	GR147R77 GRF147R77	4P			257	13	5.18	3.8	5.60			294	12	4.53	3.6	7.10	309			11	4.30	3.6			7.30	353			10			3.77	3.4	9.00	416	8	3.20	3.2	12	460	7	2.89	3.1	14			524	7	2.54	3.0	18					554	6	2.40	3.0	20					652	5	2.04	2.8	26					205	17	4.35	3.3	4.00			GRX57 GRXF57	6P	0.27	19101.7	5055	128	1.90			GR137R77 GRF137R77	4P	235	15	3.79	3.2	4.60			251	14	3.55	3.1	5.00	242	14	5.50	3.1	2.80	GRX57 GRXF57	4P	0.28	16250	4935	25	0.80			GR107R77 GRF107R77	4P	262	13	5.07	3.0	2.80			306	11	4.35	2.9	6.10	351	9.8	3.79	2.8	7.10			0.23			20721	6076	114	0.85			GR97R57 GRF97R57			4P	0.30	15991	4689			114	1.10	0.33	14201	4164	114	1.25	0.55	8662	2540	66			1.50	0.63						7554	2215		67	1.70	0.71	6643	1948	68	1.95	0.82	5784	1696	69	2.25	0.91	5208	1527	69	2.50	1.0	4543	1332	70	2.85	1.2	3987	1169	70	3.25	0.55	8563	2511	49	0.95	GR107R77 GRF107R77	4P	0.52	9078	2662		47		0.90			0.58	8239	2416	50	0.95	0.67	7080	2076	52	1.10	0.75	6282	1842	54	1.25	0.87	5457	1600	55	1.45	0.99	4792	1405	56	1.65			1.1	4205	1233			56	1.90	1.3	3738	1096	57	2.15	1.5	3264	957	57	2.45	1.7	2851	836	57	2.80	0.99	4798	1407	22	0.90	GR107R77 GRF107R77	4P	1.1	4123	1209	29	1.05					1.3	3598	1055	31	1.20	1.5			3134			919	33	1.35	1.7	2779		815	34		1.55	1.9	2445	717	34	1.75	2.2	2135	626		35		2.00	0.99		4774		1400	24	0.90	GR107R77 GRF107R77	4P	1.1	4181	1226	29	1.05			1.3	3765	1104	31	1.15	1.5	3202	939	33	1.35	1.7	2803	822	34	1.55	1.5	3199	938	4.4			0.95	1.7	2810	824		21	1.05	1.9	2513		737			23	1.20	2.2	2155	632	24	1.40	2.5	1910	560	25	1.55	2.9	1651	484	26	1.80	3.2	1470	431	26	2.00	3.7	1293	379	27	2.30																																																																																																																																																																																																																																													
236	15	3.77	3.9	5.90			219	16	6.07	4.0	2.80	GRX67 GRXF67	4P		0.26	18522		5431	114	0.95	GR147R77 GRF147R77	4P			257	13	5.18	3.8	5.60					294	12	4.53	3.6	7.10			309	11	4.30	3.6	7.30	353			10	3.77	3.4			9.00	416			8			3.20	3.2	12	460	7	2.89	3.1	14	524	7	2.54	3.0	18			554	6	2.40	3.0	20					652	5	2.04	2.8	26					205	17	4.35	3.3	4.00			GRX57 GRXF57	6P	0.27	19101.7	5055	128	1.90	GR137R77 GRF137R77	4P			235	15	3.79	3.2	4.60					251	14	3.55	3.1	5.00			242	14	5.50	3.1	2.80	GRX57 GRXF57	4P	0.28	16250	4935			25	0.80	GR107R77 GRF107R77	4P	262					13	5.07	3.0	2.80	306			11	4.35	2.9	6.10	351	9.8	3.79	2.8	7.10	0.23			20721			6076	114	0.85	GR97R57 GRF97R57							4P	0.30	15991			4689	114	1.10	0.33	14201	4164	114	1.25	0.55	8662	2540	66	1.50	0.63	7554				2215	67	1.70	0.71		6643	1948	68	1.95	0.82	5784	1696	69	2.25	0.91	5208	1527	69	2.50	1.0	4543	1332	70	2.85	1.2	3987	1169	70	3.25	0.55	8563	2511	49	0.95	GR107R77 GRF107R77	4P	0.52			9078	2662	47	0.90	0.58	8239	2416			50	0.95	0.67	7080	2076	52	1.10	0.75	6282	1842	54	1.25	0.87	5457	1600	55	1.45	0.99	4792	1405	56	1.65	1.1	4205	1233			56	1.90	1.3			3738	1096	57	2.15	1.5	3264	957	57	2.45	1.7	2851	836	57	2.80	0.99	4798	1407	22	0.90	GR107R77 GRF107R77	4P	1.1			4123	1209	29	1.05	1.3					3598	1055	31	1.20	1.5	3134			919			33	1.35	1.7	2779	815	34	1.55	1.9	2445	717	34	1.75	2.2	2135	626	35	2.00	0.99		4774		1400	24		0.90		GR107R77 GRF107R77	4P	1.1			4181	1226	29	1.05	1.3			3765	1104	31	1.15	1.5	3202	939	33	1.35	1.7	2803	822	34	1.55	1.5	3199	938	4.4	0.95	1.7	2810	824	21	1.05	1.9		2513	737	23	1.20		2.2			2155	632	24	1.40	2.5	1910	560	25	1.55	2.9	1651	484	26	1.80	3.2	1470	431	26	2.00	3.7	1293	379	27	2.30																																																																																																																																																																																																																																																
219	16	6.07	4.0	2.80	GRX67 GRXF67	4P	0.26	18522	5431	114	0.95			GR147R77 GRF147R77	4P																																																																																																																																																																																																																																																																																																																																																																																																																																																																																																																																																																																																																																																																								
257	13	5.18	3.8	5.60			294	12	4.53	3.6	7.10					309	11	4.30	3.6	7.30					353	10	3.77	3.4	9.00					416	8	3.20	3.2	12			460	7	2.89	3.1	14	524			7	2.54	3.0			18	554			6			2.40	3.0	20	652	5	2.04	2.8	26	205	17	4.35	3.3	4.00			GRX57 GRXF57	6P	0.27	19101.7	5055			128	1.90	GR137R77 GRF137R77	4P	235	15	3.79	3.2	4.60	251	14	3.55	3.1	5.00	242	14	5.50	3.1			2.80	GRX57 GRXF57	4P	0.28	16250			4935	25	0.80	GR107R77 GRF107R77	4P	262	13	5.07	3.0	2.80	306	11	4.35	2.9	6.10	351	9.8	3.79	2.8	7.10	0.23	20721	6076			114	0.85	GR97R57 GRF97R57			4P	0.30			15991					4689	114	1.10	0.33	14201			4164	114	1.25	0.55	8662	2540	66	1.50	0.63	7554			2215	67	1.70	0.71	6643	1948					68	1.95			0.82	5784			1696	69	2.25	0.91	5208	1527	69	2.50	1.0	4543	1332	70	2.85	1.2	3987		1169	70	3.25	0.55	8563	2511		49	0.95	GR107R77 GRF107R77	4P	0.52	9078	2662	47	0.90	0.58	8239	2416	50	0.95	0.67	7080	2076	52	1.10	0.75	6282	1842	54	1.25	0.87	5457	1600	55	1.45			0.99			4792	1405	56	1.65	1.1	4205	1233			56	1.90	1.3	3738	1096	57	2.15	1.5	3264	957	57	2.45	1.7	2851	836	57	2.80	0.99	4798	1407	22	0.90	GR107R77 GRF107R77	4P	1.1			4123	1209	29			1.05	1.3	3598	1055	31	1.20	1.5	3134	919	33	1.35	1.7	2779	815	34	1.55	1.9	2445	717			34			1.75	2.2	2135	626	35					2.00	0.99	4774	1400	24	0.90	GR107R77 GRF107R77	4P	1.1	4181	1226	29	1.05	1.3	3765	1104	31	1.15	1.5	3202	939	33	1.35	1.7	2803	822	34	1.55	1.5		3199		938	4.4	0.95	1.7	2810			824			21	1.05	1.9	2513	737			23	1.20	2.2	2155	632	24	1.40	2.5	1910	560	25	1.55	2.9	1651	484	26	1.80	3.2	1470	431	26	2.00	3.7	1293	379		27	2.30																																																																																																																																																																																																																																																																														
294	12	4.53	3.6	7.10			309	11	4.30	3.6	7.30					353	10	3.77	3.4	9.00					416	8	3.20	3.2	12					460	7	2.89	3.1	14			524	7	2.54	3.0	18	554			6	2.40	3.0			20	652			5			2.04	2.8	26	205	17	4.35	3.3	4.00	GRX57 GRXF57	6P	0.27	19101.7	5055	128	1.90			GR137R77 GRF137R77	4P	235	15	3.79	3.2	4.60			251	14	3.55	3.1	5.00	242	14	5.50	3.1	2.80	GRX57 GRXF57	4P	0.28	16250	4935	25	0.80			GR107R77 GRF107R77	4P	262	13	5.07	3.0	2.80			306	11	4.35	2.9	6.10	351	9.8	3.79	2.8	7.10	0.23	20721	6076	114	0.85	GR97R57 GRF97R57	4P	0.30			15991	4689					114			1.10					0.33	14201	4164	114	1.25			0.55	8662	2540	66	1.50	0.63	7554	2215	67	1.70	0.71	6643	1948	68	1.95	0.82	5784	1696		69	2.25		0.91	5208			1527	69			2.50	1.0	4543	1332	70	2.85	1.2	3987	1169	70	3.25	0.55	8563	2511	49	0.95	GR107R77 GRF107R77	4P	0.52	9078	2662	47	0.90	0.58	8239			2416	50	0.95	0.67	7080	2076	52	1.10	0.75	6282	1842	54	1.25	0.87	5457	1600	55	1.45	0.99	4792	1405	56	1.65	1.1	4205			1233			56	1.90	1.3	3738	1096	57	2.15			1.5	3264	957	57	2.45	1.7	2851	836	57	2.80	0.99	4798	1407	22	0.90	GR107R77 GRF107R77	4P	1.1	4123	1209	29	1.05			1.3			3598	1055	31			1.20	1.5	3134	919	33	1.35	1.7	2779	815	34	1.55	1.9	2445	717	34	1.75	2.2	2135	626			35			2.00	0.99	4774	1400	24		0.90	GR107R77 GRF107R77		4P	1.1	4181	1226	29	1.05			1.3	3765	1104	31	1.15	1.5	3202	939	33	1.35	1.7	2803	822	34	1.55	1.5	3199	938	4.4	0.95	1.7	2810	824	21	1.05	1.9	2513	737	23			1.20			2.2	2155	632	24	1.40			2.5	1910	560	25	1.55	2.9	1651	484	26	1.80	3.2	1470	431	26	2.00	3.7	1293	379	27	2.30																																																																																																																																																																																																																																																																																						
309	11	4.30	3.6	7.30			353	10	3.77	3.4	9.00					416	8	3.20	3.2	12					460	7	2.89	3.1	14					524	7	2.54	3.0	18			554	6	2.40	3.0	20	652			5	2.04	2.8			26	205			17			4.35	3.3	4.00	GRX57 GRXF57	6P	0.27	19101.7	5055			128	1.90	GR137R77 GRF137R77	4P	235					15	3.79	3.2	4.60	251			14	3.55	3.1	5.00	242	14	5.50	3.1	2.80	GRX57 GRXF57			4P	0.28	16250	4935	25					0.80	GR107R77 GRF107R77	4P	262	13			5.07	3.0	2.80	306	11	4.35	2.9	6.10	351	9.8	3.79	2.8	7.10	0.23	20721			6076			114	0.85					GR97R57 GRF97R57			4P					0.30	15991	4689	114	1.10			0.33	14201	4164	114	1.25	0.55	8662	2540	66	1.50	0.63	7554	2215	67	1.70	0.71	6643	1948		68	1.95		0.82	5784			1696	69			2.25	0.91	5208	1527	69	2.50	1.0	4543	1332	70	2.85	1.2	3987	1169	70	3.25			0.55	8563	2511	49	0.95	GR107R77 GRF107R77	4P			0.52	9078	2662	47	0.90	0.58	8239	2416	50	0.95	0.67	7080	2076	52	1.10	0.75	6282	1842	54	1.25	0.87	5457	1600	55	1.45			0.99			4792	1405	56	1.65	1.1	4205	1233			56	1.90	1.3	3738	1096	57	2.15	1.5	3264	957	57	2.45	1.7	2851	836			57	2.80	0.99	4798	1407			22			0.90	GR107R77 GRF107R77	4P			1.1	4123	1209	29	1.05	1.3	3598	1055	31	1.20	1.5	3134	919	33	1.35	1.7	2779	815	34			1.55			1.9	2445	717	34	1.75		2.2				2135	626	35	2.00	0.99			4774	1400	24	0.90	GR107R77 GRF107R77	4P	1.1	4181	1226	29	1.05	1.3	3765	1104	31	1.15	1.5	3202	939	33	1.35	1.7	2803	822	34	1.55	1.5	3199	938			4.4			0.95	1.7	2810	824	21			1.05	1.9	2513	737	23	1.20	2.2	2155	632	24	1.40	2.5	1910	560	25	1.55	2.9	1651	484	26	1.80	3.2	1470	431	26	2.00	3.7	1293	379	27	2.30																																																																																																																																																																																																																																																																											
353	10	3.77	3.4	9.00			416	8	3.20	3.2	12					460	7	2.89	3.1	14					524	7	2.54	3.0	18					554	6	2.40	3.0	20			652	5	2.04	2.8	26	205			17	4.35	3.3	4.00	GRX57 GRXF57	6P	0.27			19101.7	5055	128	1.90	GR137R77 GRF137R77	4P			235	15	3.79			3.2	4.60			251	14	3.55			3.1	5.00	242	14	5.50	3.1	2.80	GRX57 GRXF57	4P	0.28	16250	4935	25	0.80	GR107R77 GRF107R77	4P					262	13	5.07	3.0					2.80			306	11			4.35	2.9	6.10	351	9.8	3.79	2.8	7.10	0.23	20721	6076	114	0.85	GR97R57 GRF97R57	4P			0.30			15991	4689									114	1.10			0.33	14201	4164	114	1.25	0.55	8662	2540	66	1.50	0.63	7554	2215	67	1.70	0.71	6643	1948	68	1.95	0.82	5784	1696	69	2.25		0.91	5208		1527	69			2.50	1.0	4543	1332	70	2.85	1.2	3987	1169	70	3.25	0.55	8563	2511	49	0.95	GR107R77 GRF107R77	4P	0.52	9078			2662	47	0.90	0.58	8239					2416	50	0.95	0.67	7080	2076	52	1.10	0.75	6282	1842	54	1.25	0.87	5457	1600	55	1.45	0.99	4792	1405	56	1.65	1.1	4205			1233			56	1.90	1.3	3738	1096	57	2.15			1.5	3264	957	57	2.45	1.7	2851	836	57	2.80	0.99	4798	1407	22	0.90			GR107R77 GRF107R77	4P	1.1	4123	1209			29			1.05			1.3	3598	1055	31	1.20	1.5	3134	919	33	1.35	1.7	2779	815	34	1.55	1.9	2445	717	34	1.75	2.2			2135			626	35	2.00	0.99	4774	1400	24		0.90		GR107R77 GRF107R77	4P	1.1	4181	1226			29	1.05	1.3	3765			1104	31	1.15	1.5	3202	939	33	1.35	1.7	2803	822	34	1.55	1.5	3199	938	4.4	0.95	1.7	2810	824	21	1.05			1.9			2513	737	23	1.20	2.2	2155	632	24	1.40	2.5	1910	560	25	1.55	2.9	1651	484	26	1.80	3.2	1470	431	26	2.00	3.7	1293	379	27	2.30																																																																																																																																																																																																																																																																																				
416	8	3.20	3.2	12			460	7	2.89	3.1	14					524	7	2.54	3.0	18					554	6	2.40	3.0	20					652	5	2.04	2.8	26			205	17	4.35	3.3	4.00	GRX57 GRXF57	6P	0.27	19101.7	5055	128	1.90			GR137R77 GRF137R77	4P	235	15	3.79	3.2	4.60					251	14	3.55	3.1	5.00	242	14			5.50	3.1	2.80	GRX57 GRXF57	4P	0.28	16250	4935	25	0.80	GR107R77 GRF107R77	4P			262	13	5.07	3.0	2.80							306	11	4.35	2.9					6.10			351	9.8			3.79	2.8	7.10	0.23	20721	6076	114	0.85	GR97R57 GRF97R57	4P	0.30	15991	4689					114			1.10	0.33		14201	4164						114	1.25	0.55	8662	2540	66	1.50	0.63	7554	2215	67	1.70	0.71	6643	1948	68	1.95	0.82	5784	1696	69	2.25	0.91	5208	1527	69	2.50	1.0	4543		1332	70	2.85	1.2	3987	1169		70	3.25	0.55	8563	2511	49	0.95	GR107R77 GRF107R77	4P	0.52	9078	2662	47	0.90	0.58	8239			2416	50			0.95	0.67	7080	2076	52					1.10	0.75	6282	1842	54	1.25	0.87	5457	1600	55	1.45	0.99	4792	1405	56	1.65	1.1	4205	1233	56	1.90	1.3	3738	1096	57			2.15			1.5	3264	957	57	2.45	1.7	2851			836	57	2.80	0.99	4798	1407	22	0.90	GR107R77 GRF107R77	4P	1.1	4123	1209	29	1.05					1.3	3598	1055			31	1.20	1.5	3134			919	33	1.35	1.7	2779	815	34	1.55	1.9	2445	717	34	1.75	2.2	2135	626	35	2.00	0.99	4774	1400			24	0.90	GR107R77 GRF107R77	4P	1.1	4181	1226	29	1.05	1.3		3765				1104	31	1.15			1.5	3202	939	33			1.35	1.7	2803	822	34	1.55	1.5	3199	938	4.4	0.95	1.7	2810	824	21	1.05	1.9	2513	737	23	1.20	2.2	2155			632	24	1.40	2.5	1910	560	25	1.55	2.9	1651	484	26	1.80	3.2	1470	431	26	2.00	3.7	1293	379	27	2.30																																																																																																																																																																																																																																																																																													
460	7	2.89	3.1	14			524	7	2.54	3.0	18					554	6	2.40	3.0	20					652	5	2.04	2.8	26					205	17	4.35	3.3	4.00			GRX57 GRXF57	6P	0.27	19101.7	5055			128	1.90	GR137R77 GRF137R77	4P	235					15	3.79	3.2	4.60	251			14	3.55	3.1	5.00	242	14	5.50	3.1	2.80	GRX57 GRXF57	4P	0.28	16250	4935			25	0.80	GR107R77 GRF107R77	4P	262					13	5.07	3.0	2.80	306							11	4.35	2.9	6.10					351			9.8	3.79			2.8	7.10	0.23	20721	6076	114	0.85	GR97R57 GRF97R57			4P	0.30	15991					4689	114	1.10	0.33	14201		4164	114			1.25	0.55		8662	2540	66	1.50	0.63	7554	2215	67	1.70	0.71	6643	1948	68	1.95	0.82	5784	1696	69	2.25	0.91	5208	1527	69	2.50	1.0	4543	1332	70	2.85	1.2	3987	1169	70	3.25	0.55	8563	2511	49	0.95	GR107R77 GRF107R77	4P	0.52	9078	2662			47	0.90	0.58	8239	2416	50	0.95			0.67	7080			2076	52	1.10	0.75	6282					1842	54	1.25	0.87	5457	1600	55	1.45	0.99	4792	1405	56	1.65	1.1	4205	1233	56	1.90	1.3	3738	1096	57	2.15	1.5	3264			957			57	2.45	1.7	2851	836	57	2.80			0.99	4798	1407	22	0.90	GR107R77 GRF107R77	4P	1.1			4123	1209	29	1.05	1.3					3598	1055	31			1.20	1.5	3134	919			33	1.35	1.7	2779	815	34	1.55	1.9	2445	717	34	1.75	2.2	2135	626	35	2.00	0.99	4774	1400	24	0.90	GR107R77 GRF107R77	4P	1.1			4181	1226	29	1.05	1.3	3765		1104				31	1.15	1.5			3202	939	33	1.35			1.7	2803	822	34	1.55	1.5	3199	938	4.4	0.95	1.7	2810	824	21	1.05	1.9	2513	737	23	1.20	2.2	2155	632	24	1.40	2.5	1910	560	25	1.55	2.9	1651	484	26	1.80	3.2	1470	431	26	2.00	3.7	1293	379	27	2.30																																																																																																																																																																																																																																																																																																
524	7	2.54	3.0	18			554	6	2.40	3.0	20					652	5	2.04	2.8	26					205	17	4.35	3.3	4.00			GRX57 GRXF57	6P	0.27	19101.7	5055	128	1.90	GR137R77 GRF137R77	4P			235	15	3.79			3.2	4.60			251	14	3.55			3.1	5.00	242	14	5.50	3.1	2.80	GRX57 GRXF57	4P	0.28	16250	4935	25	0.80	GR107R77 GRF107R77	4P			262	13	5.07			3.0	2.80			306					11	4.35	2.9	6.10	351							9.8	3.79	2.8	7.10					0.23			20721	6076			114	0.85	GR97R57 GRF97R57	4P	0.30	15991	4689					114	1.10					0.33	14201	4164	114	1.25		0.55	8662			2540	66		1.50	0.63	7554	2215	67	1.70	0.71	6643	1948	68	1.95	0.82	5784	1696	69	2.25	0.91	5208	1527	69	2.50	1.0	4543	1332	70	2.85	1.2	3987	1169	70	3.25	0.55	8563	2511	49	0.95	GR107R77 GRF107R77	4P	0.52			9078	2662	47			0.90	0.58	8239	2416	50	0.95	0.67			7080	2076			52	1.10	0.75	6282	1842					54	1.25	0.87	5457	1600	55	1.45	0.99	4792	1405	56	1.65	1.1	4205	1233	56	1.90	1.3	3738	1096	57	2.15	1.5	3264	957			57			2.45	1.7	2851	836	57	2.80	0.99	4798	1407	22	0.90	GR107R77 GRF107R77	4P	1.1			4123			1209	29	1.05	1.3	3598					1055	31	1.20			1.5	3134	919	33			1.35	1.7	2779	815	34	1.55	1.9	2445	717	34	1.75	2.2	2135	626	35	2.00	0.99	4774	1400	24	0.90	GR107R77 GRF107R77			4P			1.1	4181	1226	29	1.05	1.3		3765				1104	31	1.15			1.5	3202	939	33			1.35	1.7	2803	822	34	1.55	1.5	3199	938	4.4	0.95	1.7	2810	824	21	1.05	1.9	2513	737	23	1.20	2.2	2155	632	24	1.40	2.5	1910	560	25	1.55	2.9	1651	484	26	1.80	3.2	1470	431	26	2.00	3.7	1293	379	27	2.30																																																																																																																																																																																																																																																																																															
554	6	2.40	3.0	20			652	5	2.04	2.8	26					205	17	4.35	3.3	4.00			GRX57 GRXF57	6P	0.27	19101.7	5055	128	1.90	GR137R77 GRF137R77	4P			235	15	3.79	3.2	4.60					251	14	3.55	3.1	5.00	242	14			5.50	3.1	2.80	GRX57 GRXF57	4P	0.28	16250	4935	25	0.80	GR107R77 GRF107R77	4P			262	13	5.07	3.0	2.80					306	11	4.35			2.9	6.10			351					9.8	3.79	2.8	7.10	0.23							20721	6076	114	0.85	GR97R57 GRF97R57	4P			0.30			15991	4689	114	1.10	0.33	14201			4164	114	1.25					0.55	8662					2540	66	1.50	0.63	7554	2215	67	1.70	0.71		6643	1948		68	1.95	0.82	5784	1696	69	2.25	0.91	5208	1527	69	2.50	1.0	4543	1332	70	2.85	1.2	3987	1169	70	3.25	0.55	8563	2511	49	0.95	GR107R77 GRF107R77	4P	0.52	9078	2662	47	0.90	0.58	8239			2416			50	0.95	0.67			7080	2076	52	1.10	0.75	6282	1842			54	1.25			0.87	5457	1600	55	1.45					0.99	4792	1405	56	1.65	1.1	4205	1233	56	1.90	1.3	3738	1096	57	2.15	1.5	3264	957	57	2.45	1.7	2851	836	57	2.80			0.99	4798	1407	22	0.90	GR107R77 GRF107R77	4P	1.1	4123	1209	29	1.05	1.3	3598			1055			31			1.20	1.5	3134	919	33					1.35	1.7	2779	815	34	1.55	1.9	2445	717			34	1.75	2.2	2135	626	35	2.00	0.99	4774	1400	24	0.90	GR107R77 GRF107R77	4P	1.1	4181	1226	29	1.05	1.3	3765							1104	31	1.15	1.5	3202	939		33				1.35	1.7	2803	822	34	1.55	1.5	3199	938			4.4	0.95	1.7	2810	824	21	1.05	1.9	2513	737	23	1.20	2.2	2155	632	24	1.40	2.5	1910	560	25	1.55	2.9	1651	484	26	1.80	3.2	1470	431	26	2.00	3.7	1293	379	27	2.30																																																																																																																																																																																																																																																																																																								
652	5	2.04	2.8	26																																																																																																																																																																																																																																																																																																																																																																																																																																																																																																																																																																																																																																																																																			
205	17	4.35	3.3	4.00	GRX57 GRXF57	6P	0.27	19101.7	5055	128	1.90	GR137R77 GRF137R77	4P																																																																																																																																																																																																																																																																																																																																																																																																																																																																																																																																																																																																																																																																										
235	15	3.79	3.2	4.60			251	14	3.55	3.1	5.00			242	14	5.50	3.1	2.80	GRX57 GRXF57	4P	0.28	16250	4935	25	0.80	GR107R77 GRF107R77	4P	262	13	5.07	3.0	2.80	306	11	4.35	2.9	6.10	351	9.8	3.79	2.8	7.10	0.23	20721	6076	114	0.85	GR97R57 GRF97R57	4P	0.30	15991	4689	114	1.10			0.33	14201	4164	114	1.25					0.55	8662	2540	66	1.50					0.63	7554	2215			67	1.70			0.71			6643	1948	68	1.95	0.82	5784	1696	69	2.25	0.91	5208	1527	69	2.50	1.0	4543	1332			70	2.85	1.2	3987	1169	70	3.25	0.55	8563	2511	49			0.95	GR107R77 GRF107R77	4P					0.52	9078	2662	47	0.90	0.58	8239	2416	50	0.95	0.67	7080	2076	52	1.10	0.75	6282	1842	54	1.25	0.87	5457	1600	55	1.45	0.99	4792	1405	56	1.65	1.1	4205	1233	56	1.90	1.3	3738	1096	57	2.15	1.5	3264	957	57	2.45	1.7			2851	836	57	2.80	0.99	4798	1407			22			0.90	GR107R77 GRF107R77	4P			1.1	4123	1209	29	1.05	1.3	3598			1055	31			1.20	1.5	3134	919	33			1.35	1.7	2779	815	34	1.55	1.9	2445	717	34	1.75	2.2	2135	626	35	2.00	0.99	4774	1400	24	0.90	GR107R77 GRF107R77	4P	1.1	4181	1226	29	1.05	1.3	3765	1104	31	1.15	1.5			3202	939	33	1.35	1.7	2803	822			34			1.55			1.5	3199	938	4.4	0.95	1.7	2810	824	21	1.05	1.9	2513	737	23	1.20	2.2	2155	632	24	1.40	2.5	1910	560	25	1.55	2.9	1651	484	26	1.80	3.2	1470			431	26	2.00	3.7	1293	379	27							2.30																																																																																																																																																																																																																																																																																																																																																																		
251	14	3.55	3.1	5.00			242	14	5.50	3.1	2.80			GRX57 GRXF57	4P	0.28	16250	4935			25	0.80	GR107R77 GRF107R77	4P	262			13	5.07	3.0	2.80	306	11	4.35	2.9	6.10	351	9.8	3.79	2.8	7.10	0.23	20721	6076	114	0.85	GR97R57 GRF97R57			4P	0.30	15991	4689	114			1.10	0.33	14201	4164	114					1.25	0.55	8662	2540	66					1.50	0.63	7554	2215	67	1.70	0.71			6643	1948	68	1.95	0.82	5784	1696	69	2.25	0.91	5208	1527	69	2.50	1.0	4543	1332	70	2.85	1.2			3987	1169	70	3.25	0.55	8563	2511	49	0.95	GR107R77 GRF107R77	4P			0.52				9078	2662		47	0.90	0.58	8239	2416	50	0.95	0.67	7080	2076	52	1.10	0.75	6282	1842	54	1.25	0.87	5457	1600	55	1.45	0.99	4792	1405	56	1.65	1.1	4205	1233	56	1.90	1.3	3738	1096	57	2.15	1.5	3264	957	57	2.45	1.7	2851	836	57			2.80	0.99	4798	1407	22	0.90	GR107R77 GRF107R77			4P			1.1					4123	1209	29	1.05	1.3	3598	1055			31	1.20	1.5	3134	919	33	1.35	1.7	2779			815	34	1.55	1.9	2445	717	34	1.75	2.2	2135	626	35	2.00	0.99	4774	1400	24	0.90	GR107R77 GRF107R77	4P	1.1			4181	1226	29	1.05	1.3	3765	1104	31	1.15	1.5	3202			939	33	1.35	1.7	2803	822	34			1.55			1.5	3199	938	4.4	0.95	1.7	2810	824	21	1.05	1.9	2513	737	23	1.20	2.2	2155	632	24	1.40	2.5	1910	560	25	1.55	2.9	1651	484	26	1.80	3.2	1470	431	26	2.00			3.7	1293	379	27	2.30																																																																																																																																																																																																																																																																																																																																																																											
242	14	5.50	3.1	2.80	GRX57 GRXF57	4P	0.28	16250	4935	25	0.80	GR107R77 GRF107R77	4P																																																																																																																																																																																																																																																																																																																																																																																																																																																																																																																																																																																																																																																																										
262	13	5.07	3.0	2.80			306	11	4.35	2.9	6.10					351	9.8	3.79			2.8	7.10			0.23			20721	6076	114	0.85	GR97R57 GRF97R57	4P	0.30	15991	4689	114	1.10	0.33	14201	4164	114	1.25	0.55	8662	2540					66	1.50	0.63	7554			2215	67	1.70	0.71	6643			1948	68	1.95	0.82	5784	1696	69	2.25	0.91	5208	1527	69	2.50	1.0	4543	1332	70	2.85	1.2	3987	1169	70	3.25	0.55	8563	2511	49	0.95	GR107R77 GRF107R77	4P	0.52	9078	2662	47	0.90	0.58	8239	2416	50	0.95			0.67	7080	2076	52	1.10	0.75	6282	1842	54			1.25	0.87	5457			1600	55	1.45	0.99	4792	1405	56	1.65	1.1	4205	1233	56	1.90	1.3	3738	1096	57	2.15	1.5	3264	957	57	2.45	1.7	2851	836	57	2.80	0.99	4798	1407	22	0.90	GR107R77 GRF107R77	4P	1.1	4123	1209	29	1.05	1.3	3598	1055	31	1.20	1.5	3134	919	33	1.35			1.7	2779	815	34	1.55	1.9							2445					717	34	1.75	2.2	2135	626	35	2.00	0.99	4774	1400	24	0.90	GR107R77 GRF107R77	4P	1.1	4181	1226	29	1.05	1.3	3765	1104	31	1.15	1.5	3202	939	33	1.35	1.7	2803	822	34	1.55	1.5	3199	938			4.4			0.95	1.7	2810	824	21	1.05	1.9	2513	737	23	1.20			2.2	2155	632	24	1.40	2.5	1910	560	25	1.55	2.9	1651	484	26	1.80	3.2	1470	431	26	2.00	3.7	1293	379	27	2.30																																																																																																																																																																																																																																																																																																																																																																																																								
306	11	4.35	2.9	6.10			351	9.8	3.79	2.8	7.10					0.23	20721	6076			114	0.85			GR97R57 GRF97R57			4P	0.30	15991	4689			114	1.10	0.33	14201	4164	114	1.25	0.55	8662	2540	66	1.50	0.63					7554	2215	67	1.70	0.71	6643	1948	68	1.95	0.82	5784	1696	69	2.25	0.91	5208	1527	69	2.50	1.0	4543	1332	70	2.85	1.2	3987	1169	70	3.25	0.55	8563	2511	49	0.95	GR107R77 GRF107R77	4P	0.52	9078	2662	47	0.90			0.58	8239	2416	50	0.95	0.67	7080	2076	52	1.10	0.75	6282	1842	54	1.25	0.87	5457	1600	55	1.45	0.99			4792	1405	56			1.65	1.1	4205	1233	56	1.90	1.3	3738	1096	57	2.15	1.5	3264	957	57	2.45	1.7	2851	836	57	2.80	0.99	4798	1407	22	0.90	GR107R77 GRF107R77	4P	1.1	4123	1209	29	1.05			1.3	3598	1055	31	1.20	1.5	3134	919	33	1.35	1.7	2779	815	34	1.55			1.9	2445	717	34	1.75	2.2							2135			626	35	2.00	0.99	4774	1400	24	0.90	GR107R77 GRF107R77	4P	1.1	4181	1226	29	1.05			1.3	3765	1104	31	1.15	1.5	3202	939	33	1.35	1.7	2803	822	34	1.55	1.5	3199	938	4.4	0.95	1.7	2810	824			21			1.05	1.9	2513	737	23	1.20	2.2	2155	632	24	1.40	2.5	1910	560	25	1.55	2.9	1651	484	26	1.80	3.2	1470	431	26	2.00	3.7	1293	379	27	2.30																																																																																																																																																																																																																																																																																																																																																																																																															
351	9.8	3.79	2.8	7.10			0.23	20721	6076	114	0.85					GR97R57 GRF97R57	4P	0.30			15991	4689							114	1.10	0.33			14201	4164	114	1.25	0.55	8662	2540	66	1.50	0.63	7554	2215	67					1.70	0.71	6643	1948	68	1.95	0.82	5784	1696	69	2.25	0.91	5208	1527	69	2.50	1.0	4543	1332	70	2.85	1.2	3987	1169	70	3.25	0.55	8563	2511	49	0.95	GR107R77 GRF107R77	4P	0.52			9078	2662	47	0.90	0.58			8239	2416	50	0.95	0.67	7080	2076	52	1.10	0.75	6282	1842	54	1.25	0.87	5457	1600	55	1.45	0.99	4792			1405	56	1.65			1.1	4205	1233	56	1.90	1.3	3738	1096	57	2.15	1.5	3264	957	57	2.45	1.7	2851	836	57	2.80	0.99	4798	1407	22	0.90	GR107R77 GRF107R77			4P	1.1	4123	1209	29			1.05	1.3	3598	1055	31	1.20	1.5	3134	919	33	1.35	1.7	2779	815	34			1.55	1.9	2445	717	34	1.75					2.2	2135	626			35	2.00	0.99	4774	1400	24	0.90	GR107R77 GRF107R77			4P	1.1	4181	1226	29			1.05	1.3	3765	1104	31	1.15	1.5	3202	939	33	1.35	1.7	2803	822	34	1.55	1.5	3199	938	4.4	0.95	1.7	2810			824			21	1.05	1.9	2513	737	23	1.20	2.2	2155	632	24	1.40	2.5	1910	560	25	1.55	2.9	1651	484	26	1.80	3.2	1470	431	26	2.00	3.7	1293	379	27	2.30																																																																																																																																																																																																																																																																																																																																																																																																														
0.23	20721	6076	114	0.85			GR97R57 GRF97R57	4P	0.30	15991	4689							114			1.10	0.33							14201	4164	114			1.25	0.55	8662	2540	66	1.50	0.63	7554	2215	67	1.70	0.71	6643					1948	68	1.95	0.82	5784	1696	69	2.25	0.91	5208	1527	69	2.50	1.0	4543	1332	70	2.85	1.2	3987	1169	70	3.25	0.55	8563	2511	49	0.95	GR107R77 GRF107R77	4P	0.52			9078			2662	47	0.90	0.58	8239			2416	50	0.95	0.67	7080	2076	52	1.10	0.75	6282	1842	54	1.25	0.87	5457	1600	55	1.45	0.99	4792	1405			56	1.65	1.1			4205	1233	56	1.90	1.3	3738	1096	57	2.15	1.5	3264	957	57	2.45	1.7	2851	836	57	2.80	0.99	4798	1407	22	0.90	GR107R77 GRF107R77					4P	1.1	4123	1209			29	1.05	1.3	3598	1055	31	1.20	1.5	3134	919	33	1.35	1.7	2779	815			34	1.55	1.9	2445	717	34		1.75	2.2		2135	626	35			2.00	0.99	4774	1400	24	0.90	GR107R77 GRF107R77					4P	1.1	4181	1226			29	1.05	1.3	3765	1104	31	1.15	1.5	3202	939	33	1.35	1.7	2803	822	34	1.55	1.5	3199	938	4.4	0.95	1.7			2810			824	21	1.05	1.9	2513	737	23	1.20	2.2	2155	632	24	1.40	2.5	1910	560	25	1.55	2.9	1651	484	26	1.80	3.2	1470	431	26	2.00	3.7	1293	379	27	2.30																																																																																																																																																																																																																																																																																																																																																																																																													
0.30	15991	4689	114	1.10					0.33	14201	4164							114	1.25	0.55	8662	2540				66	1.50		0.63	7554	2215			67	1.70	0.71	6643	1948	68	1.95	0.82	5784	1696	69	2.25	0.91		5208	1527		69	2.50	1.0	4543	1332	70	2.85	1.2	3987	1169	70	3.25	0.55	8563	2511	49	0.95	GR107R77 GRF107R77	4P	0.52	9078	2662	47	0.90	0.58	8239	2416	50			0.95			0.67			7080	2076	52	1.10	0.75			6282	1842	54	1.25	0.87	5457	1600	55	1.45	0.99	4792	1405	56	1.65	1.1	4205	1233	56	1.90	1.3	3738			1096	57	2.15			1.5	3264	957	57	2.45	1.7	2851	836	57	2.80	0.99	4798	1407	22	0.90	GR107R77 GRF107R77	4P	1.1	4123	1209	29	1.05	1.3	3598							1055	31	1.20			1.5	3134	919	33	1.35	1.7	2779	815	34	1.55	1.9	2445	717	34	1.75	2.2	2135	626	35	2.00	0.99	4774	1400		24	0.90		GR107R77 GRF107R77	4P	1.1	4181	1226	29	1.05	1.3	3765	1104	31							1.15	1.5	3202			939	33	1.35	1.7	2803	822	34	1.55	1.5	3199	938	4.4	0.95	1.7	2810	824	21	1.05	1.9	2513	737	23	1.20			2.2	2155	632	24	1.40	2.5	1910	560	25	1.55	2.9	1651	484	26	1.80	3.2	1470	431	26	2.00	3.7	1293	379	27	2.30																																																																																																																																																																																																																																																																																																																																																																																																																								
0.33	14201	4164	114	1.25					0.55	8662	2540			66	1.50			0.63	7554	2215	67	1.70	0.71	6643		1948	68		1.95	0.82	5784			1696	69	2.25	0.91	5208	1527	69	2.50	1.0	4543	1332	70	2.85	1.2	3987	1169	70	3.25	0.55	8563	2511	49	0.95	GR107R77 GRF107R77	4P	0.52	9078	2662	47	0.90	0.58	8239	2416	50			0.95	0.67	7080	2076	52	1.10	0.75	6282	1842			54			1.25			0.87	5457	1600	55	1.45			0.99	4792	1405	56	1.65	1.1	4205	1233	56	1.90	1.3	3738	1096	57	2.15	1.5	3264	957	57	2.45	1.7			2851	836	57			2.80	0.99	4798	1407	22	0.90	GR107R77 GRF107R77	4P	1.1	4123	1209	29	1.05	1.3	3598			1055	31	1.20	1.5	3134	919	33							1.35	1.7	2779			815	34	1.55	1.9	2445	717	34	1.75	2.2	2135	626	35	2.00	0.99	4774	1400	24	0.90	GR107R77 GRF107R77	4P	1.1	4181	1226	29	1.05	1.3	3765			1104	31	1.15	1.5	3202	939	33	1.35	1.7							2803	822	34			1.55	1.5	3199	938	4.4	0.95	1.7	2810	824	21	1.05	1.9	2513	737	23	1.20	2.2	2155	632	24	1.40	2.5	1910	560	25	1.55	2.9	1651	484	26	1.80	3.2	1470	431	26	2.00	3.7	1293	379	27	2.30																																																																																																																																																																																																																																																																																																																																																																																																																																	
0.55	8662	2540	66	1.50	0.63	7554			2215	67	1.70	0.71	6643	1948	68			1.95	0.82	5784	1696	69	2.25	0.91		5208	1527		69	2.50	1.0			4543	1332	70	2.85	1.2	3987	1169	70	3.25	0.55	8563	2511	49	0.95	GR107R77 GRF107R77	4P	0.52	9078	2662	47	0.90	0.58	8239			2416	50	0.95	0.67	7080	2076	52	1.10	0.75			6282	1842	54	1.25	0.87	5457	1600	55	1.45			0.99			4792			1405	56	1.65	1.1	4205			1233	56	1.90	1.3	3738	1096	57	2.15	1.5	3264	957	57	2.45	1.7	2851	836	57	2.80	0.99	4798	1407			22	0.90	GR107R77 GRF107R77			4P	1.1	4123	1209	29	1.05			1.3	3598	1055	31	1.20	1.5	3134			919	33	1.35	1.7	2779	815	34							1.55	1.9	2445			717	34	1.75	2.2	2135	626	35	2.00	0.99	4774	1400	24	0.90	GR107R77 GRF107R77	4P	1.1	4181	1226			29	1.05	1.3	3765	1104	31	1.15			1.5	3202	939	33	1.35	1.7	2803	822	34							1.55	1.5	3199			938	4.4	0.95	1.7	2810	824	21	1.05	1.9	2513	737	23	1.20	2.2	2155	632	24	1.40	2.5	1910	560	25	1.55	2.9	1651	484	26	1.80	3.2	1470	431	26	2.00	3.7	1293	379	27	2.30																																																																																																																																																																																																																																																																																																																																																																																																																																				
0.63	7554	2215	67	1.70	0.71	6643			1948	68	1.95	0.82	5784	1696	69			2.25	0.91	5208	1527	69	2.50	1.0		4543	1332		70	2.85	1.2	3987	1169	70	3.25	0.55	8563	2511	49	0.95	GR107R77 GRF107R77	4P	0.52	9078	2662	47	0.90			0.58	8239	2416	50	0.95	0.67	7080			2076	52	1.10	0.75	6282	1842	54	1.25	0.87			5457	1600	55	1.45	0.99	4792	1405	56	1.65			1.1			4205			1233	56	1.90	1.3	3738			1096	57	2.15	1.5	3264	957	57	2.45	1.7	2851	836	57	2.80	0.99	4798	1407	22	0.90	GR107R77 GRF107R77	4P	1.1			4123	1209		29	1.05		1.3	3598	1055	31	1.20			1.5	3134	919	33	1.35	1.7	2779			815	34	1.55	1.9	2445	717	34							1.75	2.2	2135	626	35	2.00	0.99	4774	1400	24	0.90	GR107R77 GRF107R77	4P	1.1	4181	1226	29	1.05			1.3	3765	1104			31	1.15	1.5	3202	939	33	1.35			1.7	2803	822	34	1.55	1.5	3199	938	4.4							0.95	1.7	2810	824	21	1.05	1.9	2513	737	23	1.20	2.2	2155	632	24	1.40	2.5	1910	560	25	1.55	2.9	1651	484	26	1.80	3.2	1470	431	26	2.00	3.7	1293	379	27	2.30																																																																																																																																																																																																																																																																																																																																																																																																																																											
0.71	6643	1948	68	1.95	0.82	5784			1696	69	2.25	0.91	5208	1527	69			2.50	1.0	4543	1332	70	2.85	1.2	3987	1169	70	3.25	0.55	8563	2511	49	0.95	GR107R77 GRF107R77	4P	0.52	9078	2662	47	0.90			0.58	8239	2416	50	0.95			0.67	7080	2076	52	1.10	0.75	6282			1842	54	1.25	0.87	5457	1600	55	1.45	0.99			4792	1405	56	1.65	1.1	4205	1233	56	1.90			1.3			3738			1096	57	2.15	1.5	3264			957	57	2.45	1.7	2851	836	57	2.80	0.99	4798	1407	22	0.90	GR107R77 GRF107R77	4P	1.1	4123	1209			29	1.05	1.3	3598	1055		31	1.20		1.5	3134	919	33	1.35			1.7	2779	815	34	1.55	1.9	2445			717	34	1.75	2.2	2135	626	35			2.00	0.99			4774	1400	24	0.90	GR107R77 GRF107R77	4P	1.1	4181	1226	29	1.05			1.3	3765	1104	31	1.15			1.5	3202	939			33	1.35	1.7	2803	822	34	1.55			1.5	3199	938	4.4	0.95	1.7	2810	824	21			1.05	1.9			2513	737	23	1.20	2.2	2155	632	24	1.40	2.5	1910	560	25	1.55	2.9	1651	484	26	1.80	3.2	1470	431	26	2.00	3.7	1293	379	27	2.30																																																																																																																																																																																																																																																																																																																																																																																																																																																		
0.82	5784	1696	69	2.25																																																																																																																																																																																																																																																																																																																																																																																																																																																																																																																																																																																																																																																																																			
0.91	5208	1527	69	2.50	1.0	4543	1332	70	2.85	1.2	3987	1169	70	3.25	0.55	8563	2511	49	0.95	GR107R77 GRF107R77	4P	0.52	9078	2662	47	0.90	0.58	8239	2416	50	0.95	0.67	7080			2076	52	1.10	0.75	6282			1842	54	1.25	0.87	5457			1600	55	1.45	0.99	4792	1405	56			1.65	1.1	4205	1233	56	1.90	1.3	3738	1096			57	2.15	1.5	3264	957	57	2.45	1.7	2851			836			57			2.80	0.99	4798	1407	22	0.90	GR107R77 GRF107R77	4P	1.1	4123	1209	29	1.05	1.3	3598	1055	31	1.20	1.5	3134			919	33	1.35			1.7	2779	815	34	1.55		1.9	2445		717	34	1.75	2.2	2135			626	35	2.00	0.99	4774	1400	24			0.90	GR107R77 GRF107R77	4P	1.1	4181	1226	29	1.05	1.3	3765	1104	31	1.15	1.5	3202	939	33			1.35	1.7	2803	822	34			1.55	1.5	3199	938	4.4			0.95	1.7	2810			824	21	1.05	1.9	2513	737	23			1.20	2.2	2155	632	24	1.40	2.5	1910	560	25	1.55	2.9	1651	484	26	1.80	3.2	1470	431	26	2.00	3.7	1293	379	27	2.30																																																																																																																																																																																																																																																																																																																																																																																																																																																																				
1.0	4543	1332	70	2.85	1.2	3987	1169	70	3.25	0.55	8563	2511	49	0.95	GR107R77 GRF107R77	4P	0.52	9078	2662			47	0.90	0.58	8239	2416	50	0.95	0.67	7080	2076	52	1.10			0.75	6282	1842	54	1.25			0.87	5457	1600	55	1.45			0.99	4792	1405	56	1.65	1.1	4205			1233	56	1.90	1.3	3738	1096	57	2.15	1.5			3264	957	57	2.45	1.7	2851	836	57	2.80			0.99			4798	1407	22	0.90	GR107R77 GRF107R77	4P	1.1	4123	1209			29	1.05	1.3	3598	1055	31	1.20	1.5	3134	919	33	1.35			1.7	2779	815			34	1.55	1.9	2445	717		34	1.75		2.2	2135	626	35	2.00			0.99	4774	1400	24	0.90	GR107R77 GRF107R77	4P	1.1	4181	1226			29	1.05	1.3	3765	1104	31	1.15	1.5	3202	939	33	1.35	1.7	2803			822	34	1.55	1.5	3199			938	4.4	0.95	1.7	2810			824	21	1.05			1.9	2513	737	23	1.20	2.2	2155	632	24	1.40	2.5	1910	560	25	1.55	2.9	1651	484	26	1.80	3.2	1470	431	26	2.00	3.7	1293	379	27	2.30																																																																																																																																																																																																																																																																																																																																																																																																																																																																									
1.2	3987	1169	70	3.25	0.55	8563	2511	49	0.95	GR107R77 GRF107R77	4P	0.52	9078	2662			47	0.90	0.58			8239	2416	50	0.95	0.67	7080	2076	52	1.10	0.75	6282	1842			54	1.25	0.87	5457	1600			55	1.45	0.99	4792	1405			56	1.65	1.1	4205	1233	56	1.90			1.3	3738	1096	57	2.15	1.5	3264	957	57			2.45	1.7	2851	836	57	2.80	0.99	4798	1407			22	0.90	GR107R77 GRF107R77	4P	1.1	4123	1209			29	1.05	1.3			3598	1055	31	1.20	1.5	3134	919	33	1.35	1.7	2779	815			34	1.55	1.9			2445	717	34	1.75	2.2		2135	626		35	2.00	0.99	4774	1400	24	0.90	GR107R77 GRF107R77	4P	1.1	4181	1226			29	1.05	1.3			3765	1104	31	1.15	1.5	3202	939	33	1.35	1.7	2803	822	34	1.55			1.5	3199	938	4.4	0.95			1.7	2810	824	21	1.05			1.9	2513	737	23	1.20	2.2	2155	632	24	1.40	2.5	1910	560	25	1.55	2.9	1651	484	26	1.80	3.2	1470	431	26	2.00	3.7	1293	379	27	2.30																																																																																																																																																																																																																																																																																																																																																																																																																																																																														
0.55	8563	2511	49	0.95	GR107R77 GRF107R77	4P	0.52	9078	2662			47	0.90	0.58			8239	2416	50			0.95	0.67	7080	2076	52	1.10	0.75	6282	1842	54	1.25	0.87			5457	1600	55	1.45	0.99			4792	1405	56	1.65	1.1			4205	1233	56	1.90	1.3	3738	1096			57	2.15	1.5	3264	957	57	2.45	1.7	2851			836	57	2.80	0.99	4798	1407	22	0.90	GR107R77 GRF107R77	4P	1.1	4123	1209			29	1.05	1.3			3598	1055	31			1.20	1.5	3134	919	33	1.35	1.7	2779	815	34	1.55	1.9			2445	717	34			1.75	2.2	2135	626	35	2.00	0.99	4774	1400	24	0.90	GR107R77 GRF107R77	4P	1.1	4181	1226			29	1.05	1.3			3765	1104	31			1.15	1.5	3202	939	33	1.35	1.7	2803	822	34	1.55	1.5	3199	938			4.4	0.95	1.7	2810	824			21	1.05	1.9	2513	737	23	1.20	2.2	2155	632	24	1.40	2.5	1910	560	25	1.55	2.9	1651	484	26	1.80	3.2	1470	431	26	2.00	3.7	1293	379	27	2.30																																																																																																																																																																																																																																																																																																																																																																																																																																																																																			
0.52	9078	2662	47	0.90			0.58	8239	2416			50	0.95	0.67			7080	2076	52			1.10	0.75	6282	1842	54	1.25	0.87	5457	1600	55	1.45	0.99			4792	1405	56	1.65	1.1			4205	1233	56	1.90	1.3			3738	1096	57	2.15	1.5	3264	957			57	2.45	1.7	2851	836	57	2.80	0.99	4798	1407	22	0.90	GR107R77 GRF107R77	4P	1.1	4123	1209	29	1.05			1.3	3598	1055			31	1.20	1.5			3134	919	33			1.35	1.7	2779	815	34	1.55	1.9	2445	717	34	1.75	2.2			2135	626	35	2.00	0.99	4774	1400	24	0.90	GR107R77 GRF107R77	4P	1.1	4181	1226	29	1.05			1.3	3765	1104			31	1.15	1.5			3202	939	33			1.35	1.7	2803	822	34	1.55	1.5	3199	938	4.4	0.95	1.7	2810	824			21	1.05	1.9	2513	737	23	1.20	2.2	2155	632	24	1.40	2.5	1910	560	25	1.55	2.9	1651	484	26	1.80	3.2	1470	431	26	2.00	3.7	1293	379	27	2.30																																																																																																																																																																																																																																																																																																																																																																																																																																																																																										
0.58	8239	2416	50	0.95			0.67	7080	2076			52	1.10	0.75			6282	1842	54			1.25	0.87	5457	1600	55	1.45	0.99	4792	1405	56	1.65	1.1			4205	1233	56	1.90	1.3			3738	1096	57	2.15	1.5			3264	957	57	2.45	1.7	2851	836	57	2.80	0.99	4798	1407	22	0.90	GR107R77 GRF107R77	4P	1.1	4123	1209	29	1.05			1.3	3598	1055	31	1.20			1.5	3134	919			33	1.35	1.7			2779	815	34			1.55	1.9	2445	717	34	1.75	2.2	2135	626	35	2.00	0.99	4774	1400	24	0.90	GR107R77 GRF107R77	4P	1.1	4181	1226	29	1.05			1.3	3765	1104	31	1.15			1.5	3202	939			33	1.35	1.7			2803	822	34			1.55	1.5	3199	938	4.4	0.95	1.7	2810	824	21	1.05	1.9	2513	737	23	1.20	2.2	2155	632	24	1.40	2.5	1910	560	25	1.55	2.9	1651	484	26	1.80	3.2	1470	431	26	2.00	3.7	1293	379	27	2.30																																																																																																																																																																																																																																																																																																																																																																																																																																																																																																	
0.67	7080	2076	52	1.10			0.75	6282	1842			54	1.25	0.87			5457	1600	55			1.45	0.99	4792	1405	56	1.65	1.1	4205	1233	56	1.90	1.3			3738	1096	57	2.15	1.5			3264	957	57	2.45	1.7	2851	836	57	2.80	0.99	4798	1407	22	0.90	GR107R77 GRF107R77	4P	1.1	4123	1209	29	1.05			1.3	3598	1055	31	1.20			1.5	3134	919	33	1.35			1.7	2779	815			34	1.55	1.9			2445	717	34			1.75	2.2	2135	626	35	2.00	0.99	4774	1400	24	0.90	GR107R77 GRF107R77	4P	1.1	4181	1226			29	1.05	1.3	3765	1104			31	1.15	1.5	3202	939			33	1.35	1.7			2803	822	34			1.55	1.5	3199			938	4.4	0.95	1.7	2810	824	21	1.05	1.9	2513	737	23	1.20	2.2	2155	632	24	1.40	2.5	1910	560	25	1.55	2.9	1651	484	26	1.80	3.2	1470	431	26	2.00	3.7	1293	379	27	2.30																																																																																																																																																																																																																																																																																																																																																																																																																																																																																																				
0.75	6282	1842	54	1.25			0.87	5457	1600			55	1.45	0.99			4792	1405	56			1.65	1.1	4205	1233	56	1.90	1.3	3738	1096	57	2.15	1.5			3264	957	57	2.45	1.7	2851	836	57	2.80	0.99	4798	1407	22	0.90	GR107R77 GRF107R77	4P	1.1	4123	1209	29	1.05			1.3	3598	1055	31	1.20			1.5	3134	919	33	1.35			1.7	2779	815	34	1.55			1.9	2445	717			34	1.75	2.2			2135	626	35	2.00	0.99	4774	1400	24	0.90	GR107R77 GRF107R77	4P	1.1	4181	1226	29	1.05			1.3	3765	1104			31	1.15	1.5	3202	939			33	1.35	1.7	2803	822			34	1.55	1.5			3199	938	4.4			0.95	1.7	2810	824	21	1.05	1.9	2513	737	23	1.20	2.2	2155	632	24	1.40	2.5	1910	560	25	1.55	2.9	1651	484	26	1.80	3.2	1470	431	26	2.00	3.7	1293	379	27	2.30																																																																																																																																																																																																																																																																																																																																																																																																																																																																																																											
0.87	5457	1600	55	1.45			0.99	4792	1405			56	1.65	1.1			4205	1233	56			1.90	1.3	3738	1096	57	2.15	1.5	3264	957	57	2.45	1.7	2851	836	57	2.80	0.99	4798	1407	22	0.90	GR107R77 GRF107R77	4P	1.1	4123	1209	29	1.05			1.3	3598	1055	31	1.20			1.5	3134	919	33	1.35			1.7	2779	815	34	1.55			1.9	2445	717	34	1.75			2.2	2135	626			35	2.00	0.99	4774	1400	24	0.90	GR107R77 GRF107R77	4P	1.1	4181	1226	29	1.05			1.3	3765	1104	31	1.15			1.5	3202	939			33	1.35	1.7	2803	822			34	1.55	1.5	3199	938			4.4	0.95	1.7			2810	824	21	1.05	1.9	2513	737	23	1.20	2.2	2155	632	24	1.40	2.5	1910	560	25	1.55	2.9	1651	484	26	1.80	3.2	1470	431	26	2.00	3.7	1293	379	27	2.30																																																																																																																																																																																																																																																																																																																																																																																																																																																																																																																		
0.99	4792	1405	56	1.65			1.1	4205	1233			56	1.90	1.3			3738	1096	57			2.15	1.5	3264	957	57	2.45	1.7	2851	836	57	2.80	0.99	4798	1407	22	0.90	GR107R77 GRF107R77	4P	1.1	4123	1209			29	1.05	1.3	3598	1055			31	1.20	1.5	3134	919			33	1.35	1.7	2779	815			34	1.55	1.9	2445	717			34	1.75	2.2	2135	626			35	2.00	0.99	4774	1400	24	0.90	GR107R77 GRF107R77	4P	1.1	4181	1226			29	1.05	1.3	3765	1104			31	1.15	1.5	3202	939			33	1.35	1.7			2803	822	34	1.55	1.5			3199	938	4.4	0.95	1.7			2810	824	21	1.05	1.9	2513	737	23	1.20	2.2	2155	632	24	1.40	2.5	1910	560	25	1.55	2.9	1651	484	26	1.80	3.2	1470	431	26	2.00	3.7	1293	379	27	2.30																																																																																																																																																																																																																																																																																																																																																																																																																																																																																																																							
1.1	4205	1233	56	1.90			1.3	3738	1096			57	2.15	1.5			3264	957	57	2.45	1.7	2851	836	57	2.80	0.99	4798	1407	22	0.90	GR107R77 GRF107R77	4P	1.1	4123	1209	29	1.05			1.3	3598	1055			31	1.20	1.5	3134	919			33	1.35	1.7	2779	815			34	1.55	1.9	2445	717			34	1.75	2.2	2135	626			35	2.00	0.99	4774	1400	24	0.90	GR107R77 GRF107R77	4P	1.1	4181	1226	29	1.05			1.3	3765	1104			31	1.15	1.5	3202	939			33	1.35	1.7	2803	822			34	1.55	1.5			3199	938	4.4	0.95	1.7			2810	824	21	1.05	1.9	2513	737	23	1.20	2.2	2155	632	24	1.40	2.5	1910	560	25	1.55	2.9	1651	484	26	1.80	3.2	1470	431	26	2.00	3.7	1293	379	27	2.30																																																																																																																																																																																																																																																																																																																																																																																																																																																																																																																														
1.3	3738	1096	57	2.15			1.5	3264	957			57	2.45	1.7	2851	836	57	2.80	0.99	4798	1407	22	0.90	GR107R77 GRF107R77	4P	1.1	4123	1209	29	1.05			1.3	3598	1055	31	1.20			1.5	3134	919			33	1.35	1.7	2779	815			34	1.55	1.9	2445	717			34	1.75	2.2	2135	626			35	2.00	0.99	4774	1400	24	0.90	GR107R77 GRF107R77	4P	1.1	4181	1226	29	1.05			1.3	3765	1104	31	1.15			1.5	3202	939			33	1.35	1.7	2803	822			34	1.55	1.5	3199	938			4.4	0.95	1.7			2810	824	21	1.05	1.9	2513	737	23	1.20	2.2	2155	632	24	1.40	2.5	1910	560	25	1.55	2.9	1651	484	26	1.80	3.2	1470	431	26	2.00	3.7	1293	379	27	2.30																																																																																																																																																																																																																																																																																																																																																																																																																																																																																																																																					
1.5	3264	957	57	2.45																																																																																																																																																																																																																																																																																																																																																																																																																																																																																																																																																																																																																																																																																			
1.7	2851	836	57	2.80	0.99	4798	1407	22	0.90	GR107R77 GRF107R77	4P	1.1	4123	1209	29	1.05	1.3	3598	1055	31	1.20	1.5	3134			919	33	1.35	1.7	2779			815	34	1.55	1.9	2445			717	34	1.75			2.2	2135	626	35	2.00			0.99	4774	1400	24	0.90	GR107R77 GRF107R77	4P	1.1	4181	1226	29	1.05	1.3	3765	1104	31	1.15	1.5	3202	939	33			1.35	1.7	2803	822	34			1.55	1.5	3199	938	4.4			0.95	1.7	2810			824	21	1.05	1.9	2513			737	23	1.20	2.2	2155	632	24	1.40	2.5	1910	560	25	1.55	2.9	1651	484	26	1.80	3.2	1470	431	26	2.00	3.7	1293	379	27	2.30																																																																																																																																																																																																																																																																																																																																																																																																																																																																																																																																																							
0.99	4798	1407	22	0.90	GR107R77 GRF107R77	4P	1.1	4123	1209			29	1.05	1.3	3598	1055	31	1.20	1.5	3134	919	33	1.35			1.7	2779	815	34	1.55			1.9	2445	717	34	1.75			2.2	2135	626			35	2.00	0.99	4774	1400	24	0.90	GR107R77 GRF107R77	4P	1.1	4181	1226			29	1.05	1.3	3765	1104	31	1.15	1.5	3202	939	33	1.35	1.7	2803			822	34	1.55	1.5	3199			938	4.4	0.95	1.7	2810			824	21	1.05			1.9	2513	737	23	1.20	2.2	2155	632	24	1.40	2.5	1910	560	25	1.55	2.9	1651	484	26	1.80	3.2	1470	431	26	2.00	3.7	1293	379	27	2.30																																																																																																																																																																																																																																																																																																																																																																																																																																																																																																																																																												
1.1	4123	1209	29	1.05			1.3	3598	1055			31	1.20	1.5	3134	919	33	1.35	1.7	2779	815	34	1.55			1.9	2445	717	34	1.75			2.2	2135	626	35	2.00			0.99	4774	1400	24	0.90	GR107R77 GRF107R77	4P	1.1	4181	1226	29	1.05			1.3	3765	1104			31	1.15	1.5	3202	939	33	1.35	1.7	2803	822	34	1.55	1.5	3199			938	4.4	0.95	1.7	2810			824	21	1.05	1.9	2513			737	23	1.20	2.2	2155	632	24	1.40	2.5	1910	560	25	1.55	2.9	1651	484	26	1.80	3.2	1470	431	26	2.00	3.7	1293	379	27	2.30																																																																																																																																																																																																																																																																																																																																																																																																																																																																																																																																																																			
1.3	3598	1055	31	1.20			1.5	3134	919			33	1.35	1.7	2779	815	34	1.55	1.9	2445	717	34	1.75			2.2	2135	626	35	2.00			0.99	4774	1400	24	0.90	GR107R77 GRF107R77	4P	1.1	4181	1226	29	1.05			1.3	3765	1104	31	1.15			1.5	3202	939			33	1.35	1.7	2803	822	34	1.55	1.5	3199	938	4.4	0.95	1.7	2810			824	21	1.05	1.9	2513			737	23	1.20	2.2	2155	632	24	1.40	2.5	1910	560	25	1.55	2.9	1651	484	26	1.80	3.2	1470	431	26	2.00	3.7	1293	379	27	2.30																																																																																																																																																																																																																																																																																																																																																																																																																																																																																																																																																																										
1.5	3134	919	33	1.35			1.7	2779	815			34	1.55	1.9	2445	717	34	1.75	2.2	2135	626	35	2.00			0.99	4774	1400	24	0.90	GR107R77 GRF107R77	4P	1.1	4181	1226	29	1.05			1.3	3765	1104	31	1.15			1.5	3202	939	33	1.35			1.7	2803	822			34	1.55	1.5	3199	938	4.4	0.95	1.7	2810	824	21	1.05	1.9	2513			737	23	1.20	2.2	2155	632	24	1.40	2.5	1910	560	25	1.55	2.9	1651	484	26	1.80	3.2	1470	431	26	2.00	3.7	1293	379	27	2.30																																																																																																																																																																																																																																																																																																																																																																																																																																																																																																																																																																																	
1.7	2779	815	34	1.55			1.9	2445	717			34	1.75	2.2	2135	626	35	2.00	0.99	4774	1400	24	0.90	GR107R77 GRF107R77	4P	1.1	4181	1226	29	1.05			1.3	3765	1104	31	1.15			1.5	3202	939	33	1.35			1.7	2803	822	34	1.55			1.5	3199	938			4.4	0.95	1.7	2810	824	21	1.05	1.9	2513	737	23	1.20	2.2	2155	632	24	1.40	2.5	1910	560	25	1.55	2.9	1651	484	26	1.80	3.2	1470	431	26	2.00	3.7	1293	379	27	2.30																																																																																																																																																																																																																																																																																																																																																																																																																																																																																																																																																																																								
1.9	2445	717	34	1.75			2.2	2135	626			35	2.00	0.99	4774	1400	24	0.90	GR107R77 GRF107R77	4P	1.1	4181	1226			29	1.05	1.3	3765	1104			31	1.15	1.5	3202	939			33	1.35	1.7	2803	822			34	1.55	1.5	3199	938			4.4	0.95	1.7			2810	824	21	1.05	1.9	2513	737	23	1.20	2.2	2155	632	24	1.40	2.5	1910	560	25	1.55	2.9	1651	484	26	1.80	3.2	1470	431	26	2.00	3.7	1293	379	27	2.30																																																																																																																																																																																																																																																																																																																																																																																																																																																																																																																																																																																											
2.2	2135	626	35	2.00																																																																																																																																																																																																																																																																																																																																																																																																																																																																																																																																																																																																																																																																																			
0.99	4774	1400	24	0.90	GR107R77 GRF107R77	4P	1.1	4181	1226	29	1.05	1.3	3765	1104	31	1.15	1.5	3202			939	33	1.35			1.7	2803	822	34	1.55			1.5	3199	938	4.4	0.95			1.7	2810	824	21	1.05			1.9	2513	737	23	1.20	2.2	2155	632	24	1.40	2.5	1910	560	25	1.55	2.9	1651	484	26	1.80	3.2	1470	431	26	2.00	3.7	1293	379	27	2.30																																																																																																																																																																																																																																																																																																																																																																																																																																																																																																																																																																																																											
1.1	4181	1226	29	1.05			1.3	3765	1104	31	1.15	1.5	3202	939	33	1.35	1.7	2803			822	34	1.55			1.5	3199	938	4.4	0.95			1.7	2810	824	21	1.05			1.9	2513	737	23	1.20	2.2	2155	632	24	1.40	2.5	1910	560	25	1.55	2.9	1651	484	26	1.80	3.2	1470	431	26	2.00	3.7	1293	379	27	2.30																																																																																																																																																																																																																																																																																																																																																																																																																																																																																																																																																																																																																		
1.3	3765	1104	31	1.15			1.5	3202	939	33	1.35	1.7	2803	822	34	1.55	1.5	3199			938	4.4	0.95			1.7	2810	824	21	1.05			1.9	2513	737	23	1.20	2.2	2155	632	24	1.40	2.5	1910	560	25	1.55	2.9	1651	484	26	1.80	3.2	1470	431	26	2.00	3.7	1293	379	27	2.30																																																																																																																																																																																																																																																																																																																																																																																																																																																																																																																																																																																																																									
1.5	3202	939	33	1.35			1.7	2803	822	34	1.55	1.5	3199	938	4.4	0.95	1.7	2810			824	21	1.05			1.9	2513	737	23	1.20	2.2	2155	632	24	1.40	2.5	1910	560	25	1.55	2.9	1651	484	26	1.80	3.2	1470	431	26	2.00	3.7	1293	379	27	2.30																																																																																																																																																																																																																																																																																																																																																																																																																																																																																																																																																																																																																																
1.7	2803	822	34	1.55			1.5	3199	938	4.4	0.95	1.7	2810	824	21	1.05	1.9	2513			737	23	1.20	2.2	2155	632	24	1.40	2.5	1910	560	25	1.55	2.9	1651	484	26	1.80	3.2	1470	431	26	2.00	3.7	1293	379	27	2.30																																																																																																																																																																																																																																																																																																																																																																																																																																																																																																																																																																																																																																							
1.5	3199	938	4.4	0.95			1.7	2810	824	21	1.05	1.9	2513	737	23	1.20	2.2	2155	632	24	1.40	2.5	1910	560	25	1.55	2.9	1651	484	26	1.80	3.2	1470	431	26	2.00	3.7	1293	379	27	2.30																																																																																																																																																																																																																																																																																																																																																																																																																																																																																																																																																																																																																																														
1.7	2810	824	21	1.05																																																																																																																																																																																																																																																																																																																																																																																																																																																																																																																																																																																																																																																																																			
1.9	2513	737	23	1.20	2.2	2155	632	24	1.40	2.5	1910	560	25	1.55	2.9	1651	484	26	1.80	3.2	1470	431	26	2.00	3.7	1293	379	27	2.30																																																																																																																																																																																																																																																																																																																																																																																																																																																																																																																																																																																																																																																										
2.2	2155	632	24	1.40	2.5	1910	560	25	1.55	2.9	1651	484	26	1.80	3.2	1470	431	26	2.00	3.7	1293	379	27	2.30																																																																																																																																																																																																																																																																																																																																																																																																																																																																																																																																																																																																																																																															
2.5	1910	560	25	1.55	2.9	1651	484	26	1.80	3.2	1470	431	26	2.00	3.7	1293	379	27	2.30																																																																																																																																																																																																																																																																																																																																																																																																																																																																																																																																																																																																																																																																				
2.9	1651	484	26	1.80	3.2	1470	431	26	2.00	3.7	1293	379	27	2.30																																																																																																																																																																																																																																																																																																																																																																																																																																																																																																																																																																																																																																																																									
3.2	1470	431	26	2.00	3.7	1293	379	27	2.30																																																																																																																																																																																																																																																																																																																																																																																																																																																																																																																																																																																																																																																																														
3.7	1293	379	27	2.30																																																																																																																																																																																																																																																																																																																																																																																																																																																																																																																																																																																																																																																																																			

选型参数表
(恒功率)

Selection Table
(Constant Power)

n_a [r/min]	M_a [Nm]	i	F_{ra} [kN]	f_B	机型号 Type size	极数 Pole	n_a [r/min]	M_a [Nm]	i	F_{ra} [kN]	f_B	机型号 Type size	极数 Pole
0.55kW							0.55kW						
4.1	1146	336	27	2.60	GR97R57	4P	17	289	80.55	7.2	1.45	GR57 GRF57	4P
4.7	1009	296	27	3.00	GRF97R57		20	249	69.23	7.3	1.70		
5.6	849	249	27	3.55			21	233	64.85	7.4	1.80		
2.6	1790	525	14	0.85		24	206	57.29	7.2	2.00			
3.0	1562	458	16	1.00	GR87R57	26	191	53.22	7.0	2.20			
3.5	1361	399	17	1.15	GRF87R57	29	173	48.23	6.8	2.40			
3.9	1207	354	18	1.30		32	155	43.30	6.6	2.70			
4.6	1030	302	19	1.50		37	134	37.30	6.4	3.10			
2.9	1617	474	15	0.95	GR87R57	40	126	35.07	6.3	3.30			
3.5	1371	402	17	1.10	GRF87R57	53	94	26.31	5.8	4.40			
3.8	1238	363	18	1.25		56	90	24.99	5.7	4.70			
5.0	941	276	6.1	0.85		63	79	21.93	5.5	5.30			
5.9	805	236	9.4	1.00	GR77R37	75	67	18.60	5.2	6.30			
6.3	754	221	10	1.05	GRF77R37	15	336	93.68	3.1	0.85			
7.5	634	186	11	1.30		16	305	84.90	5.0	0.90			
2.6	1933	255.71	25	1.50	GR97	18	274	76.23	5.2	1.00			
2.7	1824	241.25	26	1.60	GRF97	20	246	68.54	5.3	1.15			
3.1	1635	216.28	26	1.80		22	231	64.21	5.4	1.20			
3.1	1624	289.74	26	1.75		25	204	56.73	5.5	1.35			
3.5	1434	255.71	26	2.00	GR97	26	189	52.69	5.5	1.45			
3.7	1353	241.25	26	2.10	GRF97	29	171	47.75	5.3	1.65			
4.1	1213	216.28	27	2.40		32	154	42.87	5.2	1.80			
4.8	1040	289.74	27	2.70		38	133	36.93	5.0	2.10			
5.4	918	255.71	27	3.00	GR97	40	125	34.73	4.9	2.20			
5.8	866	241.25	27	3.20	GRF97	47	107	29.88	4.7	2.60			
6.4	776	216.28	27	3.60		52	96	26.74	4.6	2.90			
3.6	1388	247.61	17	1.10		60	84	23.28	4.4	3.30			
4.1	1219	217.48	18	1.25	GR87	64	78	21.81	4.3	3.60			
4.3	1158	206.60	18	1.30	GRF87	23	213	61.18	3.7	0.85			
4.9	1024	182.56	19	1.45		25	194	55.76	4.5	0.95			
5.7	875	156.01	19	1.70		29	167	48.08	4.9	1.10			
5.6	889	247.61	19	1.65		31	156	44.81	5.0	1.15			
6.4	781	217.48	19	1.85		35	136	39.17	4.8	1.30			
6.7	742	206.60	19	1.95		38	128	36.72	4.7	1.40			
7.6	655	182.56	19	2.20	GR87	43	113	32.40	4.6	1.60			
8.9	560	156.01	19	2.60	GRF87	48	100	28.73	4.5	1.80			
9.7	513	143.03	19	2.80		57	85	24.42	4.3	2.10			
11	451	125.51	19	3.20		62	77	22.27	4.2	2.30			
12	427	118.94	19	3.40		72	67	19.31	4.0	2.70			
13	374	104.10	19	3.90		77	63	18.05	3.9	2.90			
8.3	598	166.59	11	1.25		89	54	15.60	3.8	3.30			
9.5	523	145.67	11	1.45		105	46	13.25	3.6	3.70			
10	497	138.39	11	1.55		117	41	11.83	3.5	4.00			
11	436	121.42	12	1.75	GR77	35	136	39.25	3.1	0.85			
13	370	102.99	12	2.10	GRF77	38	128	36.79	3.1	0.90			
15	334	92.97	12	2.30		43	113	32.47	3.0	1.05			
17	294	81.80	12	2.60		48	100	28.78	2.9	1.15			
18	277	77.24	12	2.80		57	85	24.47	2.8	1.40			
21	236	65.77	12	3.20		62	78	22.32	2.8	1.50			
8.8	568	158.14	7.1	1.00		72	67	19.35	2.7	1.75			
10	494	137.67	7.9	1.15		77	63	18.08	2.6	1.85			
11	463	128.97	8.2	1.20		89	54	15.63	2.5	2.20			
12	409	113.94	8.6	1.35		105	46	13.28	2.4	2.50			
13	380	105.83	8.8	1.45	GR67	117	41	11.86	2.3	2.80			
14	344	95.91	9.0	1.60	GRF67	137	35	10.13	2.3	3.10			
16	309	86.11	9.2	1.80		148	33	9.41	2.2	3.40			
19	266	74.17	9.4	2.10		170	28	8.16	2.1	3.70			
20	250	69.75	10	2.20		182	27	7.63	2.1	3.80			
23	220	61.26	10	2.50		211	23	6.59	2.0	4.20			
24	204	56.89	10	2.70		248	19	5.60	1.9	4.60			
12	433	120.63	6.7	0.95		278	17	5.00	1.8	4.90			
13	383	106.58	6.9	1.10	GR57	326	15	4.27	1.7	5.30			
14	355	98.99	7.0	1.20	GRF57	348	14	4.00	1.7	5.50			
15	322	89.71	7.1	1.30		412	12	3.37	1.6	6.10			

选型参数表
(恒功率)

Selection Table
(Constant Power)

n_a [r/min]	Ma [Nm]	i	F_{ra} [kN]	f_B	机型号 Type size	极数 Pole	n_a [r/min]	Ma [Nm]	i	F_{ra} [kN]	f_B	机型号 Type size	极数 Pole
0.55kW							0.75kW						
51	95	53.76	1.2	0.80	GR17 GRF17	2P	0.50	14279	2771	128	2.55	GR177R97	4P
58	84	47.44	1.2	0.90			0.54	13145	2551	128	2.80	GRF177R97	
62	78	44.18	1.5	1.00			0.26	25257	5431	114	0.80	GR167R97	4P
71	68	38.61	1.5	1.15			0.30	21806	4689	114	0.80	GRF167R97	
71	69	19.71	1.5	1.10	GR17 GRF17	4P	0.33	19365	4164	114	0.90	GR167R97 GRF167R97	4P
82	59	16.99	1.5	1.30			0.52	12412	2669	114	1.45		
88	55	15.84	1.5	1.40			0.60	10845	2332	114	1.65		
100	48	13.84	1.4	1.60			0.67	9692	2084	114	1.85		
107	45	12.98	1.4	1.70			0.96	6715	1444	114	2.70		
121	40	11.45	1.4	1.85			0.43	15100	3247	47	0.85	GR147R77	4P
137	35	10.15	1.4	1.95			0.48	13440	2890	59	0.95	GRF147R77	
161	30	8.63	1.3	2.20			0.55	11812	2540	62	1.10	GR147R77 GRF147R77	4P
184	26	7.55	1.2	1.90			0.63	10301	2215	64	1.25		
197	24	7.04	1.2	2.00			0.71	9059	1948	66	1.45		
226	21	6.15	1.2	2.30			0.82	7887	1696	67	1.65		
241	20	5.76	1.2	2.40			0.91	7101	1527	68	1.85		
273	18	5.09	1.1	2.60	1.0	6194	1332	68	2.10				
308	16	4.51	1.1	2.80	1.2	5436	1169	69	2.40				
363	13	3.83	1.1	3.00	0.74	8757	1883	49	0.90	GR137R77 GRF137R77	4P		
317	15	8.63	1.1	4.30	0.87	7455	1603	52	1.05				
363	13	7.55	1.0	3.80	1.0	6539	1406	53	1.20				
389	12	7.04	1.0	4.00	1.1	5901	1269	54	1.35				
446	11	6.15	1.0	4.50	GR17 GRF17	2P	0.67	9654	2076	39	0.80	GR137R77 GRF137R77	4P
476	10	5.76	1.0	4.70			0.75	8566	1842	49	0.95		
538	9.0	5.09	0.9	5.20			0.87	7441	1600	52	1.05		
608	8.0	4.51	0.9	5.40			1.0	6534	1405	53	1.20		
715	6.8	3.83	0.9	6.00	1.1	5734	1233	55	1.40				
172	30	5.18	4.3	2.50	1.3	5097	1096	55	1.55				
196	26	4.53	4.1	3.10	GRX67 GRXF67	6P	1.5	4451	957	56	1.80		
207	25	4.30	4.0	3.20			1.7	3888	836	57	2.05		
236	22	3.77	3.9	4.00	1.9	3413	734	57	2.35				
268	19	5.18	3.8	3.80	GRX67 GRXF67	4P	1.3	4906	1055	18	0.85	GR107R77	4P
307	17	4.53	3.6	4.70			1.5	4274	919	28	1.00	GRF107R77	
323	16	4.30	3.6	4.80			1.7	3790	815	30	1.15		
369	14	3.77	3.4	6.00			1.3	5134	1104	7	0.85	GR107R77 GRF107R77	4P
434	12	3.20	3.2	8.10			1.5	4367	939	28	1.00		
481	11	2.89	3.1	9.50			1.7	3823	822	30	1.10		
547	9.4	2.54	3.0	12			3.8	1716	369	35	2.50		
579	8.8	2.40	3.0	13			4.3	1502	323	35	2.85		
681	7.5	2.04	2.8	17			2.2	2939	632	20	1.00	GR97R57 GRF97R57	4P
747	6.9	1.86	2.7	18			2.5	2604	560	23	1.15		
863	5.9	1.61	2.6	18			2.9	2251	484	24	1.35		
205	25	4.35	3.3	2.70			3.2	2004	431	25	1.50		
235	22	3.79	3.1	3.10	3.7	1763	379	26	1.70				
251	20	3.55	3.1	3.30	4.1	1563	336	26	1.90				
283	18	3.14	3.0	3.50	4.7	1377	296	26	2.20				
306	17	2.91	2.9	3.90	5.6	1158	249	27	2.60				
320	16	4.35	2.9	4.10	GRX57 GRXF57	4P	3.5	1856	399	12	0.85	GR87R57 GRF87R57	4P
367	14	3.79	2.8	4.70			3.9	1646	354	16	0.95		
392	13	3.55	2.7	5.00			4.6	1404	302	17	1.10		
443	12	3.14	2.6	5.40			5.2	1251	269	18	1.25		
478	11	2.91	2.5	6.00			5.9	1102	237	19	1.40		
527	9.7	2.64	2.5	6.80			3.8	1688	363	15	0.90	GR87R57	4P
586	8.7	2.37	2.4	7.50			4.6	1400	301	17	1.10	GRF87R57	
681	7.5	2.04	2.3	8.70			5.4	1195	257	18	1.30		
724	7.1	1.92	2.2	9.30			2.7	2477	251.15	34	1.65	GR107	8P
842	6.1	1.65	2.1	11			3.0	2268	229.95	34	1.80	GRF107	
939	5.5	1.48	2.0	12			3.4	2003	203.16	35	2.00		
1069	4.8	1.30	2.0	13			3.2	2133	216.28	24	1.35	GR97	8P
0.75kW							3.7	1837	186.30	25	1.55	GRF97	
0.15	46912	9104	128	0.80	GR177R97 GRF177R97	4P	4.1	1677	170.02	26	1.70		
0.24	29330	5692	128	1.25			3.6	1912	255.71	25	1.45	GR97	6P
0.27	26048	5055	128	1.40			3.8	1804	241.25	25	1.55	GRF97	
0.44	16422	3187	128	2.20			4.2	1617	216.28	26	1.75		

选型参数表
(恒功率)

Selection Table
(Constant Power)

n_a [r/min]	M_a [Nm]	i	F_{ra} [kN]	f_B	机型号 Type size	极数 Pole	n_a [r/min]	M_a [Nm]	i	F_{ra} [kN]	f_B	机型号 Type size	极数 Pole																																																																																																																																																																																																																																																																																																																																																																																																																																																																																																																																																																																																																																																																																												
0.75kW							0.75kW																																																																																																																																																																																																																																																																																																																																																																																																																																																																																																																																																																																																																																																																																																		
4.8	1418	289.74	26	2.00	GR97 GRF97	4P	20	336	68.54	3.5	0.85	GR47	4P																																																																																																																																																																																																																																																																																																																																																																																																																																																																																																																																																																																																																																																																																												
5.4	1252	255.71	27	2.30			5.8	1181	241.25	27	2.40	6.4		1059	216.28	27	2.70	7.5	912	186.30	27	3.10	8.2	832	170.02	27	3.40	4.2	1626	217.48	15	0.90	GR87	6P	22	314	64.21	4.7	0.90	GRF47	4P	4.4	1545	206.60	15	0.95	GRF87	5.0	1365	182.56	17	1.05	5.8	1167	156.01	18	1.25	GR87	6P	25	278	56.73	5.2	1.00	GR47 GRF47	4P	6.4	1069	143.03	18	1.35	GRF87	5.6	1212	247.61	18	1.20	GR87 GRF87	4P	26	258	52.69	5.2	1.10	6.4	1065	217.48	18	1.40	6.7	1011	206.60	19	1.45	7.6	894	182.56	19	1.65	8.9	764	156.01	19	1.90	9.7	700	143.03	19	2.10	11	614	125.51	19	2.40	12	582	118.94	19	2.50	13	510	104.10	19	2.90	15	459	93.79	19	3.20	8.3	815	166.59	9.0	0.95	GR77	4P	29	234	47.75	5.1	1.20	9.5	713	145.67	10	1.10	GRF77	10	677	138.39	10	1.15	11	594	121.42	11	1.30	GR77 GRF77	4P	32	210	42.87	5.0	1.35	13	504	102.99	11	1.55	15	455	92.97	12	1.70	17	400	81.80	12	1.95	18	378	77.24	12	2.00	21	322	65.77	12	2.40	24	282	57.68	12	2.70	27	255	52.07	12	3.00	30	224	45.81	12	3.50	32	212	43.26	12	3.70	11	631	128.97	3.8	0.90	GR67 GRF67	4P	38	181	36.93	4.8	1.55	12	558	113.94	7.3	1.00	13	518	105.83	7.7	1.10	14	470	95.91	8.2	1.20	16	422	86.11	8.6	1.35	19	363	74.17	9.0	1.55	20	341	69.75	9.1	1.65	23	300	61.26	9.3	1.90	24	278	56.89	9.4	2.00	27	252	51.56	10	2.20	30	227	46.29	10	2.50	13	522	106.58	4.4	0.80	GR57 GRF57	4P	40	170	34.73	4.7	1.65	14	485	98.99	5.9	0.90	15	439	89.71	6.7	0.95	17	394	80.55	6.9	1.10	20	339	69.23	7.1	1.25	21	317	64.85	7.1	1.35	24	280	57.29	6.9	1.50	26	261	53.22	6.7	1.65	29	236	48.23	6.6	1.80	32	212	43.30	6.4	2.00	37	183	37.30	6.2	2.30	40	172	35.07	6.1	2.50	46	148	30.18	5.8	2.90	52	132	26.97	5.6	3.20	53	129	26.31	5.6	3.30	GR57 GRF57	4P	47	146	29.88	4.6	1.95	56	122	24.99	5.5	3.50	63	107	21.93	5.3	4.00	75	91	18.60	5.1	4.70	29	228	48.08	2.2	0.80	GR37	4P	52	131	26.70	4.4	2.20	31	212	44.81	4.0	0.85	GRF37	35	186	39.17	4.5	1.00	38	174	36.72	4.5	1.05	GR37 GRF37	4P	59	115	23.59	4.3	2.50	43	154	32.40	4.4	1.20	48	136	28.73	4.3	1.35	57	116	24.42	4.1	1.60	62	106	22.27	4.0	1.75	72	92	19.31	3.9	2.00	77	86	18.08	2.5	1.40	GR27 GRF27	4P	86	79	16.22	3.9	3.30	89	74	15.60	3.7	2.50	105	63	13.25	3.5	2.80	117	56	11.83	3.4	3.00	137	48	10.11	3.2	3.20	147	45	9.47	3.2	3.40	48	136	28.78	2.7	0.85	GR27	4P	62	106	22.32	2.6	1.10	57	116	24.47	2.7	1.00	GRF27	72	92	19.35	2.5	1.30	77	86	18.08	2.5	1.40	GR17 GRF17	4P	89	74	15.63	2.4	1.60	105	63	13.28	2.3	1.90	117	56	11.86	2.3	2.10	137	48	10.13	2.2	2.30	148	45	9.41	2.1	2.50	170	39	8.16	2.0	2.70	182	36	7.63	2.0	2.80	211	31	6.59	1.9	3.10	248	27	5.60	1.8	3.40	278	24	5.00	1.8	3.70	71	93	19.71	1.4	0.85	82	81	16.99	1.3	0.95	88	75	15.84	1.3	1.05	100	66	13.84	1.3	1.20	107	62	12.98	1.3	1.25	121	54	11.45	1.3	1.35	137	48	10.15	1.3	1.45	161	41	8.63	1.2	1.60	184	36	7.55	1.1	1.45	197	33	7.04	1.1	1.50	226	29	6.15	1.1	1.70	241	27	5.76	1.1	1.75	273	24	5.09	1.1	1.95	308	21	4.51	1.0	2.00	363	18	3.83	1.0	2.30																																																						
5.8	1181	241.25	27	2.40			6.4	1059	216.28	27	2.70	7.5		912	186.30	27	3.10	8.2	832	170.02	27	3.40	4.2	1626	217.48	15	0.90	GR87	6P	22	314	64.21	4.7		0.90	GRF47	4P	4.4	1545	206.60		15	0.95	GRF87	5.0	1365	182.56	17	1.05	5.8	1167	156.01	18	1.25	GR87	6P	25	278		56.73	5.2	1.00	GR47 GRF47	4P			6.4	1069	143.03	18	1.35	GRF87	5.6	1212	247.61	18	1.20			GR87 GRF87	4P	26	258	52.69	5.2	1.10	6.4	1065	217.48	18	1.40	6.7	1011	206.60	19	1.45	7.6	894	182.56	19	1.65	8.9	764	156.01	19	1.90	9.7	700	143.03	19	2.10	11	614	125.51	19	2.40	12	582	118.94	19	2.50	13	510	104.10	19	2.90	15	459	93.79	19	3.20	8.3	815	166.59	9.0		0.95	GR77	4P	29	234	47.75	5.1	1.20	9.5	713	145.67	10	1.10	GRF77	10	677	138.39	10	1.15	11	594			121.42	11	1.30	GR77 GRF77	4P	32	210	42.87	5.0	1.35	13	504	102.99	11	1.55	15	455	92.97	12	1.70	17	400	81.80	12	1.95	18	378	77.24	12	2.00	21	322	65.77	12	2.40	24	282	57.68	12	2.70	27	255	52.07	12	3.00	30	224	45.81	12	3.50	32	212	43.26	12	3.70			11	631	128.97	3.8	0.90	GR67 GRF67	4P	38	181	36.93	4.8	1.55	12	558	113.94	7.3	1.00	13	518	105.83	7.7	1.10	14	470	95.91	8.2	1.20	16	422	86.11	8.6	1.35	19	363	74.17	9.0	1.55	20	341	69.75	9.1	1.65	23	300	61.26	9.3	1.90	24	278	56.89	9.4	2.00	27	252	51.56	10	2.20	30	227	46.29			10	2.50	13	522	106.58	4.4	0.80	GR57 GRF57	4P	40	170	34.73	4.7	1.65	14	485	98.99	5.9	0.90	15	439	89.71	6.7	0.95	17	394	80.55	6.9	1.10	20	339	69.23	7.1	1.25	21	317	64.85	7.1	1.35	24	280	57.29	6.9	1.50	26	261	53.22	6.7	1.65	29	236	48.23	6.6	1.80	32	212	43.30	6.4	2.00	37	183	37.30	6.2	2.30	40	172	35.07	6.1	2.50	46	148	30.18	5.8	2.90	52			132	26.97	5.6	3.20	53	129	26.31	5.6	3.30	GR57 GRF57	4P	47	146	29.88	4.6	1.95	56	122	24.99	5.5	3.50	63	107	21.93	5.3	4.00		75	91	18.60	5.1	4.70	29	228	48.08	2.2	0.80	GR37	4P	52	131	26.70	4.4	2.20	31	212	44.81	4.0			0.85	GRF37	35	186	39.17	4.5	1.00	38	174	36.72	4.5	1.05	GR37 GRF37	4P	59	115	23.59	4.3	2.50	43	154	32.40	4.4	1.20	48	136	28.73	4.3	1.35	57	116	24.42	4.1	1.60	62			106	22.27	4.0	1.75	72	92	19.31	3.9	2.00	77	86	18.08	2.5	1.40	GR27 GRF27	4P	86	79	16.22	3.9	3.30	89	74	15.60	3.7	2.50	105	63	13.25	3.5	2.80	117	56	11.83	3.4	3.00		137	48	10.11	3.2	3.20	147	45	9.47	3.2	3.40	48	136	28.78	2.7	0.85	GR27	4P	62	106	22.32	2.6			1.10	57	116	24.47	2.7	1.00	GRF27	72	92	19.35	2.5	1.30	77	86	18.08	2.5	1.40	GR17 GRF17	4P	89	74	15.63	2.4	1.60	105	63	13.28	2.3	1.90	117	56	11.86	2.3	2.10	137	48	10.13	2.2	2.30	148	45	9.41	2.1	2.50	170	39	8.16	2.0	2.70	182	36	7.63	2.0	2.80	211	31	6.59	1.9	3.10	248	27	5.60	1.8	3.40	278	24	5.00	1.8	3.70	71	93	19.71	1.4	0.85	82	81	16.99	1.3	0.95	88	75	15.84	1.3	1.05	100	66	13.84	1.3	1.20	107	62	12.98	1.3	1.25	121	54	11.45	1.3	1.35	137	48	10.15	1.3	1.45	161	41	8.63	1.2	1.60	184	36	7.55	1.1	1.45	197	33	7.04	1.1	1.50	226	29	6.15	1.1	1.70	241	27	5.76	1.1	1.75	273	24	5.09	1.1	1.95	308	21	4.51	1.0	2.00	363	18	3.83	1.0	2.30																																			
6.4	1059	216.28	27	2.70			7.5	912	186.30	27	3.10	8.2		832	170.02	27	3.40	4.2	1626	217.48	15	0.90	GR87	6P	22	314	64.21	4.7		0.90	GRF47	4P	4.4		1545	206.60		15	0.95	GRF87		5.0	1365	182.56	17	1.05	5.8	1167	156.01	18	1.25	GR87	6P	25	278		56.73	5.2	1.00	GR47 GRF47	4P	6.4					1069	143.03	18	1.35	GRF87	5.6	1212	247.61	18	1.20	GR87 GRF87					4P	26	258	52.69	5.2	1.10	6.4	1065	217.48	18	1.40	6.7	1011	206.60	19	1.45	7.6	894	182.56	19	1.65	8.9	764	156.01	19	1.90	9.7	700	143.03	19	2.10	11	614	125.51	19	2.40	12	582	118.94	19	2.50	13	510	104.10	19	2.90	15	459	93.79	19	3.20	8.3	815	166.59		9.0	0.95		GR77	4P	29	234	47.75	5.1	1.20	9.5	713	145.67	10	1.10	GRF77	10	677	138.39	10	1.15			11	594	121.42			11	1.30	GR77 GRF77	4P	32	210	42.87	5.0	1.35	13	504	102.99	11	1.55	15	455	92.97	12	1.70	17	400	81.80	12	1.95	18	378	77.24	12	2.00	21	322	65.77	12	2.40	24	282	57.68	12	2.70	27	255	52.07	12	3.00	30	224	45.81	12	3.50	32			212	43.26	12	3.70	11			631	128.97	3.8	0.90	GR67 GRF67	4P	38	181	36.93	4.8	1.55	12	558	113.94	7.3	1.00	13	518	105.83	7.7	1.10	14	470	95.91	8.2	1.20	16	422	86.11	8.6	1.35	19	363	74.17	9.0	1.55	20	341	69.75	9.1	1.65	23	300	61.26	9.3	1.90	24	278	56.89	9.4	2.00	27	252			51.56	10	2.20	30	227	46.29	10			2.50	13	522	106.58	4.4	0.80	GR57 GRF57	4P	40	170	34.73	4.7	1.65	14	485	98.99	5.9	0.90	15	439	89.71	6.7	0.95	17	394	80.55	6.9	1.10	20	339	69.23	7.1	1.25	21	317	64.85	7.1	1.35	24	280	57.29	6.9	1.50	26	261	53.22	6.7	1.65	29	236	48.23	6.6	1.80	32	212	43.30	6.4	2.00	37	183	37.30	6.2	2.30	40	172	35.07			6.1	2.50	46	148	30.18	5.8	2.90	52	132			26.97	5.6	3.20	53	129	26.31	5.6	3.30	GR57 GRF57	4P	47	146	29.88	4.6	1.95		56	122	24.99	5.5	3.50	63	107	21.93	5.3	4.00	75		91	18.60	5.1	4.70	29	228	48.08	2.2	0.80			GR37	4P	52	131	26.70	4.4	2.20	31	212	44.81	4.0	0.85			GRF37	35	186	39.17	4.5	1.00	38	174	36.72	4.5	1.05	GR37 GRF37	4P	59	115	23.59	4.3	2.50	43	154	32.40			4.4	1.20	48	136	28.73	4.3	1.35	57	116	24.42	4.1	1.60	62	106			22.27	4.0	1.75	72	92	19.31	3.9	2.00	77	86	18.08	2.5	1.40	GR27 GRF27	4P	86	79	16.22	3.9	3.30		89	74	15.60	3.7	2.50	105	63	13.25	3.5	2.80	117	56	11.83	3.4	3.00	137		48	10.11	3.2	3.20			147	45	9.47	3.2	3.40	48	136	28.78	2.7	0.85	GR27	4P	62	106	22.32	2.6	1.10			57	116	24.47	2.7	1.00	GRF27	72	92	19.35	2.5	1.30	77	86	18.08	2.5	1.40	GR17 GRF17	4P	89	74	15.63	2.4	1.60	105	63	13.28	2.3	1.90	117	56	11.86	2.3	2.10	137	48	10.13	2.2	2.30	148	45	9.41	2.1	2.50	170	39	8.16	2.0	2.70	182	36	7.63	2.0	2.80	211	31	6.59	1.9	3.10	248	27	5.60	1.8	3.40	278	24	5.00	1.8	3.70	71	93	19.71	1.4	0.85	82	81	16.99	1.3	0.95	88	75	15.84	1.3	1.05	100	66	13.84	1.3	1.20	107	62	12.98	1.3	1.25	121	54	11.45	1.3	1.35	137	48	10.15	1.3	1.45	161	41	8.63	1.2	1.60	184	36	7.55	1.1	1.45	197	33	7.04	1.1	1.50	226	29	6.15	1.1	1.70	241	27	5.76	1.1	1.75	273	24	5.09	1.1	1.95	308	21	4.51	1.0	2.00	363	18	3.83	1.0	2.30																	
7.5	912	186.30	27	3.10			8.2	832	170.02	27	3.40	4.2		1626	217.48	15	0.90	GR87	6P	22	314	64.21	4.7		0.90	GRF47	4P	4.4		1545	206.60		15	0.95	GRF87	5.0		1365	182.56	17	1.05	5.8	1167	156.01	18	1.25	GR87	6P	25	278	56.73	5.2		1.00	GR47 GRF47	4P	6.4	1069	143.03			18					1.35	GRF87	5.6	1212	247.61	18	1.20	GR87 GRF87	4P	26							258	52.69	5.2	1.10	6.4	1065	217.48	18	1.40	6.7	1011	206.60	19	1.45	7.6	894	182.56	19	1.65	8.9	764	156.01	19	1.90	9.7	700	143.03	19	2.10	11	614	125.51	19	2.40	12	582	118.94	19	2.50	13	510	104.10	19	2.90	15	459	93.79	19	3.20	8.3	815	166.59	9.0	0.95	GR77	4P		29		234	47.75	5.1	1.20	9.5	713	145.67	10	1.10	GRF77	10	677	138.39	10	1.15	11			594	121.42	11			1.30	GR77 GRF77			4P	32	210	42.87	5.0	1.35	13	504	102.99	11	1.55	15	455	92.97	12	1.70	17	400	81.80	12	1.95	18	378	77.24	12	2.00	21	322	65.77	12	2.40	24	282	57.68	12	2.70	27	255	52.07	12	3.00	30	224	45.81	12	3.50			32	212	43.26	12	3.70			11	631	128.97	3.8			0.90	GR67 GRF67	4P	38	181	36.93	4.8	1.55	12	558	113.94	7.3	1.00	13	518	105.83	7.7	1.10	14	470	95.91	8.2	1.20	16	422	86.11	8.6	1.35	19	363	74.17	9.0	1.55	20	341	69.75	9.1	1.65	23	300	61.26	9.3	1.90	24	278	56.89	9.4			2.00	27	252	51.56	10	2.20	30			227	46.29	10	2.50	13	522			106.58	4.4	0.80	GR57 GRF57	4P	40	170	34.73	4.7	1.65	14	485	98.99	5.9	0.90	15	439	89.71	6.7	0.95	17	394	80.55	6.9	1.10	20	339	69.23	7.1	1.25	21	317	64.85	7.1	1.35	24	280	57.29	6.9	1.50	26	261	53.22	6.7	1.65	29	236	48.23	6.6	1.80	32	212	43.30	6.4	2.00	37	183	37.30			6.2	2.30	40	172	35.07	6.1	2.50	46	148			30.18	5.8	2.90	52	132	26.97	5.6	3.20			53	129	26.31	5.6	3.30	GR57 GRF57	4P	47	146	29.88	4.6	1.95	56	122	24.99	5.5	3.50		63	107	21.93	5.3	4.00	75	91	18.60	5.1			4.70		29	228	48.08	2.2	0.80	GR37	4P	52	131	26.70			4.4	2.20	31	212	44.81	4.0	0.85	GRF37	35	186	39.17			4.5	1.00	38	174	36.72	4.5	1.05	GR37 GRF37			4P	59	115	23.59	4.3	2.50	43	154	32.40	4.4	1.20	48	136	28.73			4.3	1.35	57	116	24.42	4.1	1.60	62	106	22.27	4.0	1.75	72			92	19.31	3.9	2.00	77	86	18.08	2.5	1.40	GR27 GRF27	4P	86	79	16.22	3.9	3.30	89	74	15.60	3.7	2.50	105		63	13.25	3.5	2.80			117	56	11.83	3.4	3.00	137	48	10.11	3.2	3.20	147		45	9.47	3.2	3.40	48			136	28.78	2.7	0.85	GR27	4P	62	106	22.32	2.6	1.10	57	116	24.47	2.7	1.00			GRF27	72	92	19.35	2.5	1.30	77	86	18.08	2.5	1.40	GR17 GRF17	4P	89	74	15.63	2.4	1.60	105	63	13.28	2.3	1.90	117	56	11.86	2.3	2.10	137	48	10.13	2.2	2.30	148	45	9.41	2.1	2.50	170	39	8.16	2.0	2.70	182	36	7.63	2.0	2.80	211	31	6.59	1.9	3.10	248	27	5.60	1.8	3.40	278	24	5.00	1.8	3.70	71	93	19.71	1.4	0.85	82	81	16.99	1.3	0.95	88	75	15.84	1.3	1.05	100	66	13.84	1.3	1.20	107	62	12.98	1.3	1.25	121	54	11.45	1.3	1.35	137	48	10.15	1.3	1.45	161	41	8.63	1.2	1.60	184	36	7.55	1.1	1.45	197	33	7.04	1.1	1.50	226	29	6.15	1.1	1.70	241	27	5.76	1.1	1.75	273	24	5.09	1.1	1.95	308	21	4.51	1.0	2.00	363	18	3.83	1.0	2.30				
8.2	832	170.02	27	3.40			4.2	1626	217.48	15	0.90	GR87		6P	22	314	64.21	4.7		0.90	GRF47	4P	4.4		1545	206.60		15	0.95	GRF87	5.0		1365	182.56	17	1.05	5.8	1167	156.01	18	1.25	GR87	6P	25	278	56.73	5.2		1.00	GR47 GRF47	4P	6.4	1069	143.03			18	1.35	GRF87			5.6					1212	247.61	18	1.20	GR87 GRF87	4P	26			258							52.69	5.2	1.10	6.4	1065	217.48	18	1.40	6.7	1011	206.60	19	1.45	7.6	894	182.56	19	1.65	8.9	764	156.01	19	1.90	9.7	700	143.03	19	2.10	11	614	125.51	19	2.40	12	582	118.94	19	2.50	13	510	104.10	19	2.90	15	459	93.79	19	3.20	8.3	815	166.59	9.0	0.95	GR77	4P		29	234		47.75	5.1	1.20	9.5	713	145.67	10	1.10	GRF77	10	677	138.39	10	1.15	11	594			121.42	11	1.30			GR77 GRF77					4P	32	210	42.87	5.0	1.35	13	504	102.99	11	1.55	15	455	92.97	12	1.70	17	400	81.80	12	1.95	18	378	77.24	12	2.00	21	322	65.77	12	2.40	24	282	57.68	12	2.70	27	255	52.07	12	3.00	30	224	45.81	12			3.50	32	212	43.26	12			3.70	11	631	128.97			3.8			0.90	GR67 GRF67	4P	38	181	36.93	4.8	1.55	12	558	113.94	7.3	1.00	13	518	105.83	7.7	1.10	14	470	95.91	8.2	1.20	16	422	86.11	8.6	1.35	19	363	74.17	9.0	1.55	20	341	69.75	9.1	1.65	23	300	61.26	9.3	1.90	24			278	56.89	9.4	2.00	27	252	51.56			10	2.20	30	227	46.29	10			2.50	13	522			106.58	4.4	0.80	GR57 GRF57	4P	40	170	34.73	4.7	1.65	14	485	98.99	5.9	0.90	15	439	89.71	6.7	0.95	17	394	80.55	6.9	1.10	20	339	69.23	7.1	1.25	21	317	64.85	7.1	1.35	24	280	57.29	6.9	1.50	26	261	53.22	6.7	1.65	29	236	48.23	6.6	1.80	32	212	43.30			6.4	2.00	37	183	37.30	6.2	2.30	40	172			35.07	6.1	2.50	46	148	30.18	5.8	2.90			52	132	26.97	5.6	3.20			53	129	26.31	5.6	3.30	GR57 GRF57	4P	47	146	29.88	4.6	1.95	56	122	24.99	5.5	3.50	63	107	21.93			5.3		4.00	75	91	18.60	5.1	4.70		29	228	48.08			2.2	0.80	GR37	4P	52	131	26.70	4.4	2.20	31	212			44.81	4.0	0.85	GRF37	35	186	39.17					4.5	1.00	38	174	36.72	4.5	1.05	GR37 GRF37	4P	59	115	23.59	4.3			2.50	43	154	32.40	4.4	1.20	48	136	28.73	4.3	1.35	57	116			24.42	4.1	1.60	62	106	22.27	4.0	1.75	72			92	19.31	3.9	2.00	77	86	18.08	2.5	1.40	GR27 GRF27	4P	86	79	16.22	3.9	3.30			89	74	15.60	3.7	2.50	105	63	13.25	3.5	2.80	117		56	11.83	3.4	3.00	137			48	10.11	3.2	3.20	147		45	9.47	3.2	3.40	48	136	28.78	2.7	0.85	GR27			4P	62	106	22.32	2.6	1.10	57	116	24.47	2.7	1.00			GRF27	72	92	19.35	2.5	1.30	77	86	18.08	2.5	1.40	GR17 GRF17	4P	89	74	15.63	2.4	1.60	105	63	13.28	2.3	1.90	117	56	11.86	2.3	2.10	137	48	10.13	2.2	2.30	148	45	9.41	2.1	2.50	170	39	8.16	2.0	2.70	182	36	7.63	2.0	2.80	211	31	6.59	1.9	3.10	248	27	5.60	1.8	3.40	278	24	5.00	1.8	3.70	71	93	19.71	1.4	0.85	82	81	16.99	1.3	0.95	88	75	15.84	1.3	1.05	100	66	13.84	1.3	1.20	107	62	12.98	1.3	1.25	121	54	11.45	1.3	1.35	137	48	10.15	1.3	1.45	161	41	8.63	1.2	1.60	184	36	7.55	1.1	1.45	197	33	7.04	1.1	1.50	226	29	6.15	1.1	1.70	241	27	5.76	1.1	1.75	273	24	5.09	1.1	1.95	308
4.2	1626	217.48	15	0.90	GR87	6P	22	314	64.21	4.7	0.90	GRF47	4P																																																																																																																																																																																																																																																																																																																																																																																																																																																																																																																																																																																																																																																																																												
4.4	1545	206.60	15	0.95	GRF87		5.0	1365	182.56	17	1.05	5.8			1167	156.01	18	1.25	GR87	6P	25		278	56.73	5.2	1.00	GR47 GRF47	4P	6.4	1069	143.03	18	1.35	GRF87	5.6	1212	247.61	18	1.20	GR87 GRF87	4P	26	258	52.69	5.2	1.10	6.4	1065	217.48			18	1.40	6.7			1011	206.60	19			1.45			7.6	894	182.56	19	1.65	8.9			764			156.01							19	1.90	9.7	700	143.03	19	2.10	11	614	125.51	19	2.40	12	582	118.94	19	2.50	13	510	104.10	19	2.90	15	459	93.79	19	3.20	8.3	815	166.59	9.0	0.95	GR77	4P	29	234	47.75	5.1	1.20	9.5	713	145.67	10	1.10	GRF77	10	677	138.39	10	1.15	11	594	121.42	11		1.30	GR77 GRF77	4P	32	210	42.87	5.0	1.35	13	504	102.99	11	1.55	15	455	92.97	12	1.70	17	400			81.80	12	1.95									18	378	77.24	12	2.00	21	322	65.77	12	2.40	24	282	57.68	12	2.70	27	255	52.07	12	3.00	30	224	45.81	12	3.50	32	212	43.26	12	3.70	11	631	128.97	3.8	0.90	GR67 GRF67	4P	38	181	36.93	4.8	1.55	12	558			113.94	7.3	1.00	13	518			105.83	7.7	1.10	14			470			95.91			8.2	1.20	16	422	86.11	8.6	1.35	19	363	74.17	9.0	1.55	20	341	69.75	9.1	1.65	23	300	61.26	9.3	1.90	24	278	56.89	9.4	2.00	27	252	51.56	10	2.20	30	227	46.29	10	2.50	13	522	106.58	4.4			0.80	GR57 GRF57	4P	40	170	34.73	4.7			1.65	14	485	98.99	5.9	0.90			15	439	89.71			6.7	0.95	17			394	80.55	6.9	1.10	20	339	69.23	7.1	1.25	21	317	64.85	7.1	1.35	24	280	57.29	6.9	1.50	26	261	53.22	6.7	1.65	29	236	48.23	6.6	1.80	32	212	43.30	6.4	2.00	37	183	37.30	6.2	2.30	40	172	35.07	6.1	2.50	46	148	30.18	5.8	2.90	52	132	26.97	5.6	3.20	53	129	26.31	5.6	3.30			GR57 GRF57	4P	47	146	29.88	4.6	1.95	56			122	24.99	5.5	3.50	63			107	21.93	5.3	4.00	75			91	18.60	5.1	4.70	29	228	48.08	2.2	0.80	GR37	4P	52	131	26.70	4.4	2.20	31	212	44.81	4.0	0.85	GRF37	35	186	39.17	4.5	1.00			38	174	36.72		4.5	1.05	GR37 GRF37	4P	59	115	23.59			4.3	2.50	43	154	32.40	4.4	1.20		48	136		28.73	4.3	1.35	57	116	24.42	4.1			1.60	62	106	22.27			4.0	1.75	72	92	19.31	3.9	2.00	77	86	18.08	2.5	1.40	GR27 GRF27			4P	86	79	16.22	3.9	3.30	89	74	15.60			3.7	2.50	105	63	13.25	3.5	2.80	117	56			11.83	3.4	3.00	137	48			10.11	3.2	3.20	147	45	9.47	3.2	3.40	48	136	28.78	2.7	0.85	GR27	4P	62	106			22.32	2.6	1.10	57	116	24.47	2.7	1.00	GRF27	72	92	19.35	2.5	1.30	77	86				18.08	2.5	1.40	GR17 GRF17	4P	89	74	15.63	2.4	1.60			105	63	13.28	2.3	1.90	117	56	11.86	2.3	2.10	137			48	10.13	2.2	2.30	148	45	9.41	2.1	2.50	170	39	8.16	2.0	2.70	182	36	7.63	2.0	2.80	211	31	6.59	1.9	3.10	248	27	5.60	1.8	3.40	278	24	5.00	1.8	3.70	71	93	19.71	1.4	0.85	82	81	16.99	1.3	0.95	88	75	15.84	1.3	1.05	100	66	13.84	1.3	1.20	107	62	12.98	1.3	1.25	121	54	11.45	1.3	1.35	137	48	10.15	1.3	1.45	161	41	8.63	1.2	1.60	184	36	7.55	1.1	1.45	197	33	7.04	1.1	1.50	226	29	6.15	1.1	1.70	241	27	5.76	1.1	1.75	273	24	5.09	1.1	1.95	308	21	4.51	1.0	2.00	363	18	3.83	1.0	2.30							
5.0	1365	182.56	17	1.05	5.8		1167	156.01	18	1.25	GR87	6P		25	278	56.73	5.2	1.00	GR47 GRF47		4P	6.4	1069	143.03	18	1.35			GRF87	5.6	1212	247.61	18	1.20	GR87 GRF87	4P	26	258	52.69			5.2	1.10	6.4	1065	217.48	18	1.40	6.7			1011	206.60	19			1.45	7.6	894			182.56	19	1.65	8.9	764	156.01	19	1.90	9.7			700			143.03							19	2.10	11	614	125.51	19	2.40	12	582	118.94	19	2.50	13	510	104.10	19	2.90	15	459	93.79	19	3.20	8.3	815	166.59	9.0	0.95	GR77	4P	29	234	47.75	5.1		1.20	9.5	713	145.67	10	1.10	GRF77	10	677	138.39	10	1.15	11	594	121.42	11	1.30	GR77 GRF77	4P	32	210	42.87			5.0	1.35	13	504	102.99	11	1.55	15	455	92.97	12	1.70	17	400	81.80	12	1.95			18	378	77.24									12	2.00	21	322	65.77	12	2.40	24	282	57.68	12	2.70	27	255	52.07	12	3.00	30	224	45.81	12	3.50	32	212	43.26	12	3.70	11	631	128.97	3.8	0.90	GR67 GRF67	4P	38			181	36.93	4.8	1.55	12	558	113.94			7.3	1.00	13	518	105.83			7.7	1.10	14	470			95.91			8.2			1.20	16	422	86.11	8.6	1.35	19	363	74.17	9.0	1.55	20	341	69.75	9.1	1.65	23	300	61.26	9.3	1.90	24	278	56.89	9.4	2.00	27	252	51.56	10	2.20	30	227	46.29	10	2.50	13	522	106.58	4.4	0.80			GR57 GRF57			4P	40	170	34.73			4.7	1.65	14	485	98.99	5.9			0.90	15	439			89.71	6.7	0.95			17	394	80.55	6.9	1.10	20	339	69.23	7.1	1.25	21	317	64.85	7.1	1.35	24	280	57.29	6.9	1.50	26	261	53.22	6.7	1.65	29	236	48.23	6.6	1.80	32	212	43.30	6.4	2.00	37	183	37.30	6.2	2.30	40	172	35.07	6.1	2.50	46	148	30.18	5.8	2.90	52	132	26.97	5.6	3.20	53	129	26.31	5.6	3.30	GR57 GRF57			4P	47	146	29.88	4.6	1.95			56	122	24.99	5.5	3.50			63	107	21.93	5.3	4.00			75	91	18.60	5.1	4.70	29	228	48.08	2.2	0.80		GR37	4P	52	131	26.70	4.4	2.20	31	212	44.81	4.0	0.85	GRF37	35	186	39.17	4.5	1.00	38	174	36.72	4.5	1.05	GR37 GRF37			4P	59	115			23.59	4.3	2.50	43	154	32.40	4.4		1.20	48		136	28.73	4.3	1.35	57	116	24.42			4.1	1.60	62	106	22.27	4.0	1.75	72	92	19.31	3.9	2.00	77	86	18.08	2.5	1.40	GR27 GRF27					4P	86	79	16.22	3.9	3.30	89	74			15.60	3.7	2.50	105	63	13.25	3.5	2.80	117			56	11.83	3.4	3.00	137			48	10.11	3.2	3.20	147	45	9.47	3.2	3.40	48	136	28.78	2.7	0.85		GR27	4P			62	106	22.32	2.6	1.10	57	116	24.47	2.7	1.00	GRF27	72	92	19.35	2.5	1.30			77	86	18.08	2.5			1.40	GR17 GRF17	4P	89	74			15.63	2.4	1.60	105	63	13.28	2.3	1.90	117	56	11.86			2.3	2.10	137	48	10.13	2.2	2.30	148	45	9.41	2.1	2.50	170	39	8.16	2.0	2.70	182	36	7.63	2.0	2.80	211	31	6.59	1.9	3.10	248	27	5.60	1.8	3.40	278	24	5.00	1.8	3.70	71	93	19.71	1.4	0.85	82	81	16.99	1.3	0.95	88	75	15.84	1.3	1.05	100	66	13.84	1.3	1.20	107	62	12.98	1.3	1.25	121	54	11.45	1.3	1.35	137	48	10.15	1.3	1.45	161	41	8.63	1.2	1.60	184	36	7.55	1.1	1.45	197	33	7.04	1.1	1.50	226	29	6.15	1.1	1.70	241	27	5.76	1.1	1.75	273	24	5.09	1.1	1.95	308	21	4.51	1.0	2.00	363	18	3.83	1.0	2.30				
5.8	1167	156.01	18	1.25	GR87	6P	25	278	56.73	5.2	1.00		GR47 GRF47	4P																																																																																																																																																																																																																																																																																																																																																																																																																																																																																																																																																																																																																																																																																											
6.4	1069	143.03	18	1.35	GRF87		5.6	1212	247.61	18	1.20	GR87 GRF87			4P	26	258	52.69		5.2		1.10	6.4	1065	217.48	18			1.40	6.7	1011	206.60	19	1.45			7.6	894	182.56			19	1.65	8.9	764	156.01	19	1.90	9.7			700	143.03	19	2.10	11	614	125.51	19	2.40	12	582	118.94	19	2.50	13	510	104.10	19	2.90			15			459		93.79	19				3.20	8.3	815	166.59	9.0	0.95	GR77	4P	29	234	47.75	5.1	1.20	9.5	713	145.67	10	1.10	GRF77	10	677	138.39	10	1.15	11	594	121.42	11		1.30	GR77 GRF77	4P	32	210	42.87	5.0	1.35	13	504	102.99	11	1.55	15	455	92.97	12	1.70	17	400	81.80	12			1.95	18	378			77.24	12	2.00	21	322	65.77	12	2.40	24	282	57.68	12	2.70	27	255	52.07	12			3.00	30	224									45.81	12	3.50	32	212	43.26	12	3.70	11	631	128.97	3.8	0.90	GR67 GRF67	4P	38	181	36.93	4.8	1.55	12	558	113.94	7.3	1.00	13	518	105.83	7.7	1.10	14	470			95.91			8.2	1.20	16	422	86.11	8.6	1.35			19	363	74.17	9.0	1.55			20	341	69.75	9.1			1.65			23			300	61.26	9.3	1.90	24	278	56.89	9.4	2.00	27	252	51.56	10	2.20	30	227	46.29	10	2.50	13	522	106.58	4.4	0.80	GR57 GRF57	4P	40	170	34.73	4.7	1.65	14	485	98.99	5.9	0.90	15	439	89.71	6.7	0.95							17	394	80.55			6.9	1.10	20	339	69.23	7.1			1.25	21	317			64.85	7.1	1.35			24	280	57.29	6.9	1.50	26	261	53.22	6.7	1.65	29	236	48.23	6.6	1.80	32	212	43.30	6.4	2.00	37	183	37.30	6.2	2.30	40	172	35.07	6.1	2.50	46	148	30.18	5.8	2.90	52	132	26.97	5.6	3.20	53	129	26.31	5.6	3.30	GR57 GRF57	4P	47	146	29.88	4.6	1.95	56	122	24.99	5.5	3.50	63	107	21.93					5.3	4.00	75	91	18.60	5.1	4.70	29	228	48.08	2.2	0.80	GR37	4P	52	131	26.70	4.4	2.20			31	212	44.81	4.0	0.85	GRF37	35	186	39.17	4.5	1.00	38		174	36.72	4.5	1.05	GR37 GRF37	4P	59	115	23.59	4.3	2.50	43	154	32.40	4.4	1.20	48	136	28.73	4.3	1.35					57	116	24.42	4.1	1.60	62	106	22.27	4.0	1.75	72	92	19.31	3.9	2.00	77	86	18.08	2.5	1.40	GR27 GRF27	4P			86	79	16.22	3.9	3.30	89	74	15.60	3.7	2.50	105	63	13.25	3.5	2.80	117	56			11.83	3.4			3.00	137	48	10.11	3.2	3.20	147	45	9.47	3.2	3.40	48	136	28.78	2.7	0.85	GR27	4P			62	106	22.32	2.6	1.10			57	116	24.47	2.7	1.00	GRF27	72	92	19.35	2.5	1.30	77	86	18.08	2.5	1.40				GR17 GRF17	4P	89	74	15.63	2.4	1.60	105	63	13.28	2.3	1.90	117	56	11.86	2.3			2.10	137	48	10.13			2.2			2.30	148			45	9.41	2.1	2.50	170	39	8.16	2.0	2.70	182	36			7.63	2.0	2.80	211	31	6.59	1.9	3.10	248	27	5.60	1.8	3.40	278	24	5.00	1.8	3.70	71	93	19.71	1.4	0.85	82	81	16.99	1.3	0.95	88	75	15.84	1.3	1.05	100	66	13.84	1.3	1.20	107	62	12.98	1.3	1.25	121	54	11.45	1.3	1.35	137	48	10.15	1.3	1.45	161	41	8.63	1.2	1.60	184	36	7.55	1.1	1.45	197	33	7.04	1.1	1.50	226	29	6.15	1.1	1.70	241	27	5.76	1.1	1.75	273	24	5.09	1.1	1.95	308	21	4.51	1.0	2.00	363	18	3.83	1.0	2.30																							
5.6	1212	247.61	18	1.20	GR87 GRF87	4P	26	258	52.69	5.2	1.10					6.4	1065	217.48		18		1.40	6.7	1011	206.60	19			1.45	7.6	894	182.56	19	1.65			8.9	764	156.01			19	1.90	9.7	700	143.03	19	2.10	11	614	125.51	19	2.40	12	582	118.94	19	2.50	13	510	104.10	19	2.90	15	459	93.79	19	3.20	8.3	815			166.59			9.0		0.95	GR77	4P	29		234	47.75	5.1	1.20	9.5	713	145.67		10	1.10	GRF77	10	677	138.39	10	1.15	11	594	121.42	11	1.30	GR77 GRF77	4P	32	210	42.87	5.0	1.35	13	504			102.99	11	1.55	15	455	92.97	12	1.70	17	400	81.80	12	1.95	18	378	77.24	12	2.00	21			322	65.77	12			2.40	24	282	57.68	12	2.70	27	255	52.07	12	3.00	30	224	45.81	12	3.50	32			212	43.26	12									3.70	11	631	128.97	3.8	0.90	GR67 GRF67	4P	38	181	36.93	4.8	1.55			12	558	113.94	7.3	1.00	13	518	105.83	7.7	1.10	14	470	95.91	8.2	1.20	16	422			86.11			8.6	1.35	19	363	74.17	9.0	1.55			20	341	69.75	9.1	1.65			23	300	61.26	9.3			1.90			24			278	56.89	9.4	2.00	27	252	51.56	10	2.20	30	227	46.29	10	2.50	13	522	106.58	4.4	0.80	GR57 GRF57	4P	40	170	34.73			4.7	1.65	14	485	98.99	5.9	0.90	15	439	89.71	6.7	0.95	17	394	80.55							6.9	1.10	20			339	69.23	7.1	1.25	21	317			64.85	7.1	1.35			24	280	57.29			6.9	1.50	26	261	53.22	6.7	1.65	29	236	48.23	6.6	1.80	32	212	43.30	6.4	2.00	37	183	37.30	6.2	2.30	40	172	35.07	6.1	2.50	46	148	30.18	5.8	2.90	52	132	26.97	5.6	3.20	53	129	26.31	5.6	3.30	GR57 GRF57	4P	47			146	29.88	4.6	1.95	56	122	24.99	5.5	3.50	63	107	21.93	5.3					4.00	75	91	18.60	5.1	4.70	29	228	48.08	2.2	0.80	GR37	4P		52	131	26.70	4.4	2.20	31	212	44.81	4.0	0.85	GRF37	35	186	39.17	4.5	1.00	38	174	36.72	4.5	1.05	GR37 GRF37	4P	59			115	23.59	4.3	2.50	43	154	32.40	4.4	1.20	48	136	28.73	4.3	1.35	57					116	24.42	4.1	1.60	62	106	22.27	4.0	1.75	72	92	19.31	3.9	2.00	77	86	18.08	2.5	1.40	GR27 GRF27			4P	86	79	16.22	3.9	3.30	89	74	15.60	3.7	2.50	105	63	13.25	3.5	2.80	117	56	11.83			3.4	3.00			137	48	10.11	3.2	3.20	147	45	9.47	3.2	3.40	48	136	28.78	2.7	0.85	GR27	4P		62	106	22.32	2.6	1.10	57	116			24.47	2.7	1.00	GRF27	72	92	19.35	2.5	1.30	77	86	18.08	2.5	1.40	GR17 GRF17	4P	89					74	15.63	2.4	1.60	105	63	13.28	2.3	1.90	117	56	11.86	2.3	2.10			137	48	10.13	2.2			2.30			148	45			9.41	2.1	2.50	170	39	8.16	2.0	2.70	182	36	7.63			2.0	2.80	211	31	6.59	1.9	3.10	248	27	5.60	1.8	3.40	278	24	5.00	1.8	3.70	71	93	19.71	1.4	0.85	82	81	16.99	1.3	0.95	88	75	15.84	1.3	1.05	100	66	13.84	1.3	1.20	107	62	12.98	1.3	1.25	121	54	11.45	1.3	1.35	137	48	10.15	1.3	1.45	161	41	8.63	1.2	1.60	184	36	7.55	1.1	1.45	197	33	7.04	1.1	1.50	226	29	6.15	1.1	1.70	241	27	5.76	1.1	1.75	273	24	5.09	1.1	1.95	308	21	4.51	1.0	2.00	363	18	3.83	1.0	2.30																								
6.4	1065	217.48	18	1.40			6.7	1011	206.60	19	1.45					7.6	894	182.56		19		1.65	8.9	764	156.01	19			1.90	9.7	700	143.03	19	2.10			11	614	125.51			19	2.40	12	582	118.94	19	2.50	13	510	104.10	19	2.90	15	459	93.79	19	3.20	8.3	815	166.59	9.0	0.95	GR77	4P	29	234	47.75	5.1	1.20			9.5			713	145.67	10	1.10		GRF77	10	677	138.39	10	1.15	11	594	121.42		11	1.30	GR77 GRF77	4P	32	210	42.87	5.0	1.35	13	504	102.99	11			1.55	15	455	92.97	12	1.70	17			400	81.80	12	1.95	18	378	77.24	12	2.00	21	322	65.77	12	2.40	24	282	57.68	12	2.70			27	255	52.07			12	3.00	30	224	45.81	12	3.50	32	212	43.26	12	3.70	11	631	128.97	3.8	0.90	GR67 GRF67	4P	38	181	36.93									4.8	1.55	12	558	113.94	7.3			1.00	13	518	105.83	7.7			1.10	14	470	95.91	8.2	1.20	16	422	86.11	8.6	1.35	19	363	74.17	9.0	1.55	20			341			69.75	9.1	1.65	23	300	61.26	9.3	1.90	24	278	56.89	9.4	2.00	27			252	51.56	10	2.20			30			227			46.29	10	2.50	13	522	106.58	4.4	0.80	GR57 GRF57	4P	40	170	34.73	4.7	1.65	14	485	98.99	5.9			0.90	15	439			89.71	6.7	0.95	17	394	80.55	6.9	1.10	20	339	69.23	7.1	1.25	21	317	64.85	7.1					1.35	24	280			57.29	6.9	1.50	26	261	53.22			6.7	1.65	29			236	48.23	6.6			1.80	32	212	43.30	6.4	2.00	37	183	37.30	6.2	2.30	40	172	35.07	6.1	2.50	46	148	30.18	5.8	2.90	52	132	26.97	5.6	3.20	53	129	26.31	5.6	3.30	GR57 GRF57	4P	47	146	29.88	4.6	1.95	56	122	24.99	5.5			3.50			63	107	21.93	5.3	4.00	75	91	18.60	5.1	4.70	29	228	48.08					2.2	0.80	GR37	4P	52	131	26.70	4.4	2.20	31	212	44.81			4.0	0.85	GRF37	35	186	39.17	4.5	1.00	38	174	36.72	4.5	1.05	GR37 GRF37	4P	59	115	23.59	4.3	2.50	43			154			32.40	4.4	1.20	48	136	28.73	4.3	1.35	57	116	24.42	4.1	1.60	62	106					22.27	4.0	1.75	72	92	19.31	3.9	2.00	77	86	18.08	2.5	1.40	GR27 GRF27	4P	86	79	16.22	3.9					3.30	89	74	15.60	3.7	2.50	105	63	13.25	3.5	2.80	117	56	11.83	3.4	3.00	137	48			10.11	3.2			3.20	147	45	9.47	3.2	3.40	48	136	28.78	2.7	0.85	GR27	4P	62	106	22.32			2.6	1.10	57	116	24.47	2.7	1.00	GRF27	72	92	19.35	2.5	1.30	77	86	18.08	2.5	1.40	GR17 GRF17	4P	89	74	15.63			2.4					1.60	105	63	13.28	2.3	1.90	117	56	11.86	2.3	2.10	137	48	10.13			2.2	2.30	148	45			9.41			2.1	2.50			170	39	8.16	2.0	2.70	182	36	7.63	2.0	2.80	211			31	6.59	1.9	3.10	248	27	5.60	1.8	3.40	278	24	5.00	1.8	3.70	71	93	19.71	1.4	0.85	82	81	16.99	1.3	0.95	88	75	15.84	1.3	1.05	100	66	13.84	1.3	1.20	107	62	12.98	1.3	1.25	121	54	11.45	1.3	1.35	137	48	10.15	1.3	1.45	161	41	8.63	1.2	1.60	184	36	7.55	1.1	1.45	197	33	7.04	1.1	1.50	226	29	6.15	1.1	1.70	241	27	5.76	1.1	1.75	273	24	5.09	1.1	1.95	308	21	4.51	1.0	2.00	363	18	3.83	1.0	2.30																											
6.7	1011	206.60	19	1.45			7.6	894	182.56	19	1.65					8.9	764	156.01		19		1.90	9.7	700	143.03	19	2.10	11	614	125.51	19	2.40	12	582			118.94	19	2.50			13	510	104.10	19	2.90	15	459	93.79	19	3.20	8.3	815	166.59	9.0	0.95	GR77	4P	29	234	47.75	5.1	1.20	9.5		713	145.67	10	1.10	GRF77			10	677	138.39	10	1.15	11	594		121.42	11	1.30	GR77 GRF77	4P	32	210	42.87	5.0	1.35	13	504			102.99	11	1.55	15	455	92.97	12	1.70	17			400	81.80	12	1.95	18	378	77.24			12	2.00	21	322	65.77	12	2.40	24	282	57.68	12	2.70	27	255	52.07	12	3.00	30	224			45.81	12	3.50			32	212	43.26	12	3.70	11	631	128.97	3.8	0.90	GR67 GRF67	4P	38	181	36.93	4.8	1.55			12	558	113.94	7.3	1.00							13	518	105.83	7.7	1.10	14			470	95.91	8.2	1.20	16			422	86.11	8.6	1.35	19	363	74.17	9.0	1.55	20	341	69.75	9.1	1.65	23	300	61.26			9.3			1.90	24	278	56.89	9.4	2.00	27	252	51.56	10	2.20	30	227	46.29	10	2.50	13	522	106.58	4.4			0.80			GR57 GRF57			4P	40	170	34.73	4.7	1.65	14	485			98.99	5.9	0.90	15	439	89.71	6.7	0.95	17			394	80.55	6.9			1.10	20	339	69.23	7.1	1.25	21	317	64.85	7.1	1.35	24	280	57.29	6.9	1.50	26					261	53.22	6.7	1.65	29	236	48.23	6.6	1.80	32	212			43.30	6.4	2.00			37	183	37.30			6.2	2.30	40	172	35.07	6.1	2.50	46	148	30.18	5.8	2.90	52	132	26.97	5.6	3.20	53	129	26.31	5.6	3.30	GR57 GRF57	4P	47	146	29.88	4.6	1.95	56	122			24.99	5.5	3.50	63	107	21.93	5.3	4.00	75			91			18.60	5.1	4.70	29	228	48.08	2.2	0.80	GR37	4P	52	131	26.70		4.4	2.20		31	212	44.81		4.0	0.85	GRF37	35	186	39.17	4.5	1.00		38	174	36.72	4.5	1.05	GR37 GRF37	4P	59	115	23.59	4.3	2.50	43	154			32.40	4.4	1.20	48	136	28.73			4.3			1.35	57	116	24.42	4.1	1.60	62	106	22.27	4.0	1.75	72	92	19.31	3.9		2.00	77		86	18.08	2.5	1.40	GR27 GRF27	4P	86	79	16.22	3.9	3.30	89	74			15.60	3.7	2.50	105					63	13.25	3.5	2.80	117	56	11.83	3.4	3.00	137	48	10.11	3.2	3.20	147	45	9.47	3.2		3.40	48	136	28.78		2.7	0.85	GR27	4P	62	106	22.32	2.6	1.10	57	116	24.47		2.7	1.00	GRF27		72	92	19.35	2.5	1.30	77	86	18.08	2.5	1.40	GR17 GRF17	4P	89	74	15.63	2.4	1.60	105	63			13.28	2.3	1.90			117	56	11.86			2.3	2.10	137	48	10.13	2.2	2.30	148	45	9.41	2.1	2.50	170	39			8.16	2.0	2.70	182			36			7.63	2.0			2.80	211	31	6.59	1.9	3.10	248	27	5.60	1.8	3.40			278	24	5.00	1.8	3.70	71	93	19.71	1.4	0.85	82	81	16.99	1.3	0.95	88	75	15.84	1.3	1.05	100	66	13.84	1.3	1.20	107	62	12.98	1.3	1.25	121	54	11.45	1.3	1.35	137	48	10.15	1.3	1.45	161	41	8.63	1.2	1.60	184	36	7.55	1.1	1.45	197	33	7.04	1.1	1.50	226	29	6.15	1.1	1.70	241	27	5.76	1.1	1.75	273	24	5.09	1.1	1.95	308	21	4.51	1.0	2.00	363	18	3.83	1.0	2.30																																				
7.6	894	182.56	19	1.65			8.9	764	156.01	19	1.90					9.7	700	143.03	19	2.10	11	614	125.51	19	2.40	12	582	118.94	19	2.50	13	510	104.10	19			2.90	15	459			93.79	19	3.20	8.3	815	166.59	9.0	0.95	GR77	4P	29	234	47.75	5.1	1.20	9.5		713	145.67	10	1.10	GRF77	10		677	138.39	10	1.15	11	594	121.42	11	1.30	GR77 GRF77	4P	32	210	42.87	5.0	1.35	13	504			102.99	11	1.55	15	455	92.97	12			1.70	17	400	81.80	12	1.95	18	378	77.24			12	2.00	21	322	65.77	12	2.40			24	282	57.68	12	2.70	27	255	52.07	12	3.00	30	224	45.81	12	3.50	32	212	43.26	12			3.70	11	631			128.97	3.8	0.90	GR67 GRF67	4P	38	181	36.93	4.8	1.55			12	558	113.94	7.3	1.00			13	518	105.83	7.7	1.10			14	470			95.91	8.2	1.20	16	422	86.11			8.6	1.35	19	363	74.17			9.0	1.55	20	341	69.75	9.1	1.65	23	300	61.26	9.3	1.90	24	278	56.89	9.4	2.00			27			252	51.56	10	2.20	30	227	46.29	10	2.50	13	522	106.58	4.4	0.80	GR57 GRF57	4P	40	170	34.73	4.7	1.65	14	485							98.99	5.9	0.90	15	439	89.71	6.7			0.95	17	394	80.55	6.9	1.10	20	339	69.23			7.1	1.25	21			317	64.85	7.1	1.35	24	280	57.29	6.9	1.50	26	261	53.22	6.7	1.65	29	236	48.23					6.6	1.80	32	212	43.30	6.4	2.00	37	183	37.30	6.2	2.30	40	172	35.07	6.1			2.50	46	148			30.18	5.8	2.90	52	132	26.97	5.6	3.20	53	129	26.31	5.6	3.30	GR57 GRF57	4P	47	146	29.88	4.6	1.95	56	122			24.99	5.5	3.50	63	107	21.93	5.3			4.00	75	91	18.60	5.1	4.70	29	228	48.08			2.2			0.80	GR37	4P	52	131	26.70	4.4	2.20	31		212	44.81	4.0	0.85	GRF37	35	186	39.17	4.5	1.00		38	174	36.72	4.5	1.05	GR37 GRF37	4P	59	115	23.59	4.3	2.50	43	154			32.40	4.4	1.20	48	136	28.73	4.3			1.35	57	116	24.42	4.1	1.60			62			106	22.27	4.0	1.75	72	92	19.31	3.9	2.00	77	86	18.08	2.5	1.40	GR27 GRF27	4P	86	79	16.22	3.9	3.30	89	74			15.60	3.7	2.50	105	63	13.25	3.5			2.80	117	56	11.83					3.4	3.00	137	48	10.11	3.2	3.20	147	45	9.47	3.2	3.40	48	136	28.78	2.7	0.85	GR27	4P	62	106	22.32	2.6	1.10	57	116	24.47		2.7	1.00	GRF27	72	92	19.35	2.5	1.30		77	86	18.08	2.5	1.40	GR17 GRF17	4P	89	74	15.63	2.4	1.60	105	63			13.28	2.3	1.90	117	56	11.86	2.3			2.10	137	48			10.13	2.2	2.30			148	45	9.41	2.1	2.50	170	39	8.16	2.0	2.70	182	36	7.63	2.0	2.80	211	31	6.59	1.9	3.10			248			27	5.60			1.8	3.40	278	24	5.00	1.8	3.70	71	93	19.71	1.4			0.85	82	81	16.99	1.3	0.95	88	75	15.84	1.3	1.05	100	66	13.84	1.3	1.20	107	62	12.98	1.3	1.25	121	54	11.45	1.3	1.35	137	48	10.15	1.3	1.45	161	41	8.63	1.2	1.60	184	36	7.55	1.1	1.45	197	33	7.04	1.1	1.50	226	29	6.15	1.1	1.70	241	27	5.76	1.1	1.75	273	24	5.09	1.1	1.95	308	21	4.51	1.0	2.00	363	18	3.83	1.0	2.30																																													
8.9	764	156.01	19	1.90			9.7	700	143.03	19	2.10		11	614		125.51	19	2.40	12	582	118.94	19	2.50	13	510	104.10	19	2.90	15	459	93.79	19	3.20	8.3			815	166.59	9.0			0.95	GR77	4P	29	234	47.75	5.1	1.20	9.5		713	145.67	10	1.10	GRF77	10		677	138.39	10	1.15	11	594	121.42	11	1.30	GR77 GRF77	4P	32	210	42.87	5.0	1.35			13	504	102.99	11	1.55	15	455			92.97	12	1.70	17	400	81.80	12			1.95	18	378	77.24	12	2.00	21	322	65.77			12	2.40	24	282	57.68	12	2.70			27	255	52.07	12	3.00	30	224	45.81	12	3.50	32	212	43.26	12	3.70	11	631	128.97	3.8			0.90	GR67 GRF67	4P			38	181	36.93			4.8	1.55	12	558	113.94			7.3	1.00	13	518	105.83			7.7	1.10	14	470	95.91		8.2	1.20	16	422		86.11	8.6	1.35	19	363	74.17			9.0	1.55	20	341	69.75			9.1	1.65	23	300	61.26	9.3	1.90	24	278	56.89	9.4	2.00	27	252	51.56	10	2.20			30			227	46.29	10	2.50	13	522	106.58	4.4	0.80	GR57 GRF57	4P	40	170	34.73			4.7	1.65	14	485	98.99	5.9	0.90	15	439					89.71	6.7	0.95	17	394	80.55	6.9			1.10	20	339	69.23	7.1	1.25	21	317	64.85			7.1	1.35	24			280	57.29	6.9	1.50	26	261	53.22	6.7	1.65	29	236	48.23	6.6	1.80	32	212	43.30					6.4	2.00	37	183	37.30	6.2	2.30	40	172	35.07	6.1	2.50	46	148	30.18	5.8	2.90	52	132	26.97	5.6			3.20	53	129	26.31	5.6	3.30	GR57 GRF57	4P	47	146	29.88	4.6	1.95			56	122	24.99	5.5	3.50	63	107			21.93	5.3	4.00	75	91	18.60	5.1			4.70	29	228	48.08	2.2	0.80	GR37	4P	52			131			26.70	4.4		2.20	31	212	44.81	4.0	0.85		GRF37	35	186	39.17	4.5	1.00	38	174	36.72	4.5	1.05	GR37 GRF37	4P	59	115	23.59			4.3	2.50	43	154	32.40	4.4	1.20			48	136	28.73	4.3	1.35	57	116			24.42	4.1	1.60	62	106	22.27			4.0			1.75	72	92	19.31	3.9	2.00	77	86	18.08	2.5	1.40	GR27 GRF27	4P	86			79	16.22	3.9	3.30	89	74	15.60			3.7	2.50	105	63	13.25	3.5	2.80			117	56	11.83	3.4					3.00	137	48	10.11	3.2	3.20	147	45	9.47	3.2	3.40	48	136	28.78	2.7	0.85	GR27	4P		62	106	22.32	2.6	1.10	57	116	24.47		2.7	1.00	GRF27	72	92	19.35	2.5	1.30	77	86	18.08	2.5	1.40	GR17 GRF17			4P	89	74	15.63	2.4	1.60	105			63	13.28	2.3	1.90	117	56	11.86			2.3	2.10	137			48	10.13	2.2			2.30	148	45	9.41	2.1	2.50	170	39	8.16	2.0	2.70	182	36	7.63	2.0	2.80	211	31	6.59	1.9			3.10			248	27	5.60	1.8	3.40	278	24	5.00	1.8	3.70	71	93	19.71	1.4	0.85			82	81	16.99	1.3	0.95	88	75	15.84	1.3	1.05	100	66	13.84	1.3	1.20	107	62	12.98	1.3	1.25	121	54	11.45	1.3	1.35	137	48	10.15	1.3	1.45	161	41	8.63	1.2	1.60	184	36	7.55	1.1	1.45	197	33	7.04	1.1	1.50	226	29	6.15	1.1	1.70	241	27	5.76	1.1	1.75	273	24	5.09	1.1	1.95	308	21	4.51	1.0	2.00	363	18	3.83	1.0	2.30																																														
9.7	700	143.03	19	2.10			11	614	125.51	19	2.40		12	582		118.94	19	2.50	13	510	104.10	19	2.90	15	459	93.79	19	3.20	8.3	815	166.59	9.0	0.95	GR77			4P	29	234	47.75	5.1	1.20	9.5		713	145.67	10	1.10	GRF77	10		677	138.39	10	1.15	11	594	121.42	11	1.30	GR77 GRF77	4P	32	210	42.87	5.0	1.35			13	504	102.99	11	1.55			15	455	92.97	12	1.70	17	400			81.80	12	1.95	18	378	77.24	12			2.00	21	322	65.77	12	2.40	24	282	57.68			12	2.70	27	255	52.07	12	3.00			30	224	45.81	12	3.50	32	212	43.26	12	3.70	11	631	128.97	3.8	0.90	GR67 GRF67	4P	38	181			36.93					4.8	1.55	12			558	113.94	7.3	1.00	13			518	105.83	7.7	1.10	14			470	95.91	8.2	1.20	16	422	86.11	8.6	1.35	19	363	74.17	9.0	1.55	20	341	69.75			9.1	1.65	23	300	61.26			9.3	1.90	24	278	56.89	9.4	2.00	27	252	51.56	10	2.20	30	227	46.29	10	2.50			13			522	106.58	4.4	0.80	GR57 GRF57	4P	40	170	34.73			4.7	1.65	14			485	98.99	5.9	0.90	15	439	89.71	6.7	0.95		17	394		80.55	6.9	1.10	20	339	69.23	7.1			1.25	21	317	64.85	7.1	1.35	24	280	57.29			6.9	1.50	26			261	53.22	6.7	1.65	29	236	48.23	6.6	1.80	32	212	43.30	6.4	2.00	37	183	37.30					6.2	2.30	40	172	35.07	6.1	2.50	46	148	30.18	5.8	2.90	52	132	26.97	5.6	3.20	53	129	26.31	5.6	3.30	GR57 GRF57	4P	47	146	29.88	4.6	1.95			56	122	24.99	5.5	3.50			63	107	21.93	5.3	4.00	75	91			18.60	5.1	4.70	29	228	48.08	2.2			0.80	GR37	4P	52	131	26.70	4.4		2.20			31	212	44.81	4.0	0.85		GRF37	35	186	39.17	4.5	1.00	38	174	36.72	4.5	1.05	GR37 GRF37	4P	59	115	23.59	4.3	2.50			43	154	32.40			4.4	1.20	48	136	28.73	4.3	1.35			57	116	24.42	4.1	1.60	62	106			22.27	4.0	1.75	72	92	19.31			3.9	2.00	77	86	18.08	2.5	1.40	GR27 GRF27	4P	86	79	16.22	3.9	3.30			89			74	15.60	3.7	2.50	105	63	13.25			3.5	2.80	117	56	11.83	3.4	3.00			137	48	10.11	3.2		3.20	147		45	9.47	3.2	3.40	48	136	28.78	2.7	0.85	GR27	4P	62	106	22.32	2.6	1.10	57			116	24.47	2.7	1.00	GRF27	72	92	19.35	2.5	1.30	77	86	18.08	2.5	1.40	GR17 GRF17	4P	89	74	15.63	2.4	1.60					105	63	13.28	2.3	1.90	117			56	11.86	2.3	2.10	137	48	10.13			2.2	2.30	148			45	9.41	2.1			2.50	170	39	8.16	2.0	2.70	182	36	7.63	2.0	2.80	211	31	6.59	1.9	3.10	248	27	5.60	1.8			3.40			278	24	5.00	1.8	3.70	71	93	19.71	1.4	0.85	82	81	16.99	1.3	0.95	88	75	15.84	1.3	1.05	100	66	13.84	1.3	1.20	107	62	12.98	1.3	1.25	121	54	11.45	1.3	1.35	137	48	10.15	1.3	1.45	161	41	8.63	1.2	1.60	184	36	7.55	1.1	1.45	197	33	7.04	1.1	1.50	226	29	6.15	1.1	1.70	241	27	5.76	1.1	1.75	273	24	5.09	1.1	1.95	308	21	4.51	1.0	2.00	363	18	3.83	1.0	2.30																																																					
11	614	125.51	19	2.40			12	582	118.94	19	2.50		13	510		104.10	19	2.90	15	459	93.79	19	3.20	8.3	815	166.59	9.0	0.95	GR77	4P	29	234	47.75	5.1	1.20	9.5		713	145.67	10	1.10	GRF77	10		677	138.39	10	1.15	11	594	121.42	11	1.30	GR77 GRF77	4P	32	210	42.87	5.0	1.35			13	504	102.99	11	1.55			15	455	92.97	12	1.70			17	400	81.80	12	1.95	18	378			77.24	12	2.00	21	322	65.77	12			2.40	24	282	57.68	12	2.70	27	255	52.07			12	3.00	30	224	45.81	12	3.50			32	212	43.26	12	3.70	11	631	128.97	3.8	0.90	GR67 GRF67	4P	38	181	36.93			4.8	1.55			12					558	113.94	7.3			1.00	13	518	105.83	7.7			1.10	14	470	95.91	8.2			1.20	16	422	86.11	8.6	1.35	19	363	74.17	9.0	1.55	20	341	69.75	9.1	1.65	23			300	61.26	9.3	1.90	24			278	56.89	9.4	2.00	27	252	51.56	10	2.20	30	227	46.29	10	2.50	13	522	106.58			4.4			0.80	GR57 GRF57	4P	40			170	34.73	4.7			1.65	14	485			98.99	5.9	0.90	15	439	89.71	6.7	0.95	17		394	80.55		6.9	1.10	20	339	69.23	7.1	1.25			21	317	64.85	7.1	1.35	24	280	57.29	6.9			1.50	26	261			53.22	6.7	1.65	29	236	48.23	6.6	1.80	32	212	43.30	6.4	2.00	37	183	37.30	6.2					2.30	40	172	35.07	6.1	2.50	46	148	30.18	5.8	2.90	52	132	26.97	5.6	3.20	53	129	26.31	5.6	3.30	GR57 GRF57			4P	47	146	29.88	4.6			1.95	56	122	24.99	5.5			3.50	63	107	21.93	5.3	4.00	75			91	18.60	5.1	4.70	29	228	48.08			2.2	0.80		GR37	4P	52	131		26.70	4.4	2.20	31	212	44.81	4.0	0.85	GRF37	35	186	39.17	4.5	1.00	38	174	36.72	4.5	1.05	GR37 GRF37			4P	59	115	23.59	4.3			2.50	43	154			32.40	4.4	1.20	48	136	28.73	4.3			1.35	57	116	24.42	4.1	1.60	62			106	22.27	4.0	1.75	72	92	19.31	3.9	2.00	77	86	18.08	2.5	1.40	GR27 GRF27			4P	86	79	16.22	3.9			3.30			89	74	15.60	3.7	2.50	105	63			13.25	3.5	2.80	117	56	11.83	3.4			3.00	137	48	10.11	3.2	3.20	147	45	9.47	3.2	3.40	48	136	28.78	2.7	0.85	GR27	4P		62	106	22.32	2.6	1.10	57		116	24.47	2.7	1.00	GRF27	72	92	19.35	2.5	1.30	77	86	18.08	2.5	1.40	GR17 GRF17			4P	89	74	15.63	2.4					1.60	105	63	13.28	2.3	1.90			117	56	11.86	2.3	2.10	137	48			10.13	2.2	2.30			148	45	9.41			2.1	2.50	170	39	8.16	2.0	2.70	182	36	7.63	2.0	2.80	211	31	6.59	1.9	3.10	248	27	5.60			1.8			3.40	278	24	5.00	1.8	3.70	71	93	19.71	1.4	0.85	82	81	16.99	1.3	0.95	88	75	15.84	1.3	1.05	100	66	13.84	1.3	1.20	107	62	12.98	1.3	1.25	121	54	11.45	1.3	1.35	137	48	10.15	1.3	1.45	161	41	8.63	1.2	1.60	184	36	7.55	1.1	1.45	197	33	7.04	1.1	1.50	226	29	6.15	1.1	1.70	241	27	5.76	1.1	1.75	273	24	5.09	1.1	1.95	308	21	4.51	1.0	2.00	363	18	3.83	1.0	2.30																																																				
12	582	118.94	19	2.50			13	510	104.10	19	2.90		15	459		93.79	19	3.20	8.3	815	166.59	9.0	0.95	GR77	4P	29	234	47.75	5.1		1.20	9.5	713	145.67	10	1.10		GRF77	10	677	138.39	10	1.15	11	594	121.42	11	1.30	GR77 GRF77	4P	32	210	42.87			5.0	1.35	13	504	102.99			11	1.55	15	455	92.97			12	1.70	17	400	81.80			12	1.95	18	378	77.24	12	2.00			21	322	65.77	12	2.40	24	282			57.68	12	2.70	27	255	52.07	12	3.00	30			224	45.81	12	3.50	32	212	43.26			12	3.70	11	631	128.97	3.8	0.90	GR67 GRF67	4P	38			181	36.93	4.8			1.55	12			558			113.94	7.3	1.00	13	518			105.83	7.7	1.10	14	470			95.91	8.2	1.20	16	422			86.11	8.6	1.35	19	363	74.17	9.0	1.55	20	341	69.75	9.1	1.65	23	300	61.26	9.3			1.90	24	278	56.89	9.4			2.00	27	252	51.56	10	2.20	30	227	46.29	10	2.50	13	522	106.58	4.4	0.80	GR57 GRF57			4P	40	170	34.73			4.7			1.65	14	485			98.99	5.9	0.90			15	439	89.71	6.7	0.95	17	394	80.55	6.9		1.10	20		339	69.23	7.1	1.25	21	317	64.85			7.1	1.35	24	280	57.29	6.9	1.50	26	261			53.22	6.7	1.65			29	236	48.23	6.6	1.80	32	212	43.30	6.4	2.00	37	183	37.30	6.2	2.30	40	172		35.07	6.1		2.50	46	148	30.18	5.8	2.90	52	132	26.97	5.6	3.20	53	129	26.31	5.6	3.30	GR57 GRF57	4P	47	146	29.88					4.6	1.95	56	122			24.99	5.5	3.50	63	107			21.93	5.3	4.00	75	91	18.60	5.1			4.70	29	228	48.08	2.2	0.80	GR37	4P	52	131	26.70		4.4		2.20	31	212	44.81	4.0	0.85	GRF37	35	186	39.17	4.5	1.00	38	174	36.72	4.5	1.05	GR37 GRF37	4P	59	115	23.59					4.3	2.50	43	154			32.40	4.4	1.20			48	136	28.73	4.3	1.35	57	116			24.42	4.1	1.60	62	106	22.27	4.0	1.75	72	92	19.31	3.9	2.00	77	86	18.08	2.5	1.40	GR27 GRF27	4P	86	79	16.22					3.9	3.30	89	74			15.60			3.7	2.50	105	63	13.25	3.5	2.80			117	56	11.83	3.4	3.00	137	48	10.11	3.2	3.20	147	45	9.47	3.2	3.40	48	136	28.78	2.7	0.85	GR27	4P	62	106	22.32	2.6			1.10	57	116	24.47	2.7	1.00	GRF27	72	92	19.35	2.5	1.30	77	86	18.08	2.5	1.40	GR17 GRF17	4P	89	74	15.63					2.4	1.60	105	63					13.28	2.3	1.90	117	56	11.86			2.3	2.10	137	48	10.13	2.2	2.30			148	45	9.41			2.1	2.50	170			39	8.16	2.0	2.70	182	36	7.63	2.0	2.80	211	31	6.59	1.9	3.10	248	27	5.60	1.8	3.40	278	24	5.00	1.8			3.70	71	93	19.71	1.4	0.85	82	81	16.99	1.3	0.95	88	75	15.84	1.3	1.05	100	66	13.84	1.3	1.20	107	62	12.98	1.3	1.25	121	54	11.45	1.3	1.35	137	48	10.15	1.3	1.45	161	41	8.63	1.2	1.60	184	36	7.55	1.1	1.45	197	33	7.04	1.1	1.50	226	29	6.15	1.1	1.70	241	27	5.76	1.1	1.75	273	24	5.09	1.1	1.95	308	21	4.51	1.0	2.00	363	18	3.83	1.0	2.30																																																									
13	510	104.10	19	2.90			15	459	93.79	19	3.20	8.3	815	166.59	9.0	0.95	GR77	4P	29	234	47.75	5.1	1.20	9.5		713	145.67	10	1.10		GRF77	10	677	138.39	10	1.15	11	594	121.42	11	1.30	GR77 GRF77	4P	32	210	42.87	5.0	1.35			13	504	102.99			11	1.55	15	455	92.97			12	1.70	17	400	81.80			12	1.95	18	378	77.24			12	2.00	21	322	65.77	12	2.40			24	282	57.68	12	2.70	27	255			52.07	12	3.00	30	224	45.81	12	3.50	32			212	43.26	12	3.70	11	631	128.97			3.8	0.90	GR67 GRF67	4P	38	181	36.93			4.8			1.55	12	558			113.94	7.3	1.00	13	518			105.83	7.7	1.10	14	470			95.91	8.2	1.20	16	422			86.11	8.6	1.35	19	363			74.17	9.0	1.55	20	341	69.75	9.1	1.65	23	300	61.26	9.3	1.90	24	278	56.89	9.4			2.00	27	252	51.56	10			2.20	30	227	46.29	10	2.50	13	522	106.58	4.4	0.80	GR57 GRF57	4P	40	170	34.73		4.7	1.65		14	485	98.99			5.9			0.90	15	439			89.71	6.7	0.95			17	394	80.55	6.9	1.10	20	339	69.23	7.1		1.25	21		317	64.85	7.1	1.35	24	280	57.29			6.9	1.50	26	261	53.22	6.7	1.65	29	236			48.23	6.6	1.80			32	212	43.30	6.4	2.00	37	183	37.30	6.2	2.30	40	172	35.07	6.1	2.50	46	148	30.18	5.8	2.90	52	132	26.97	5.6	3.20	53	129	26.31	5.6	3.30	GR57 GRF57	4P	47	146	29.88	4.6	1.95			56	122	24.99					5.5	3.50	63	107			21.93	5.3	4.00	75	91			18.60	5.1	4.70	29	228	48.08	2.2	0.80	GR37	4P	52	131	26.70	4.4	2.20	31		212	44.81	4.0	0.85	GRF37		35	186	39.17	4.5	1.00	38	174	36.72	4.5	1.05	GR37 GRF37	4P	59	115	23.59	4.3	2.50			43	154	32.40					4.4	1.20	48	136			28.73	4.3	1.35			57	116	24.42	4.1	1.60	62	106	22.27	4.0	1.75	72	92	19.31	3.9	2.00	77	86	18.08	2.5	1.40	GR27 GRF27	4P	86	79	16.22	3.9	3.30			89	74	15.60					3.7	2.50	105	63			13.25			3.5	2.80	117	56	11.83	3.4	3.00	137	48	10.11	3.2	3.20	147	45	9.47	3.2	3.40	48	136	28.78	2.7	0.85	GR27	4P	62	106	22.32	2.6	1.10	57		116	24.47	2.7	1.00		GRF27	72	92	19.35	2.5	1.30	77	86	18.08	2.5	1.40	GR17 GRF17	4P	89	74	15.63	2.4	1.60			105	63	13.28					2.3	1.90	117	56					11.86	2.3	2.10	137	48	10.13			2.2	2.30	148	45	9.41	2.1	2.50			170	39	8.16			2.0	2.70	182			36	7.63	2.0	2.80	211	31	6.59	1.9	3.10	248	27	5.60	1.8	3.40	278	24	5.00	1.8	3.70	71	93	19.71	1.4	0.85	82	81	16.99	1.3	0.95	88	75	15.84	1.3	1.05	100	66	13.84	1.3	1.20	107	62	12.98	1.3	1.25	121	54	11.45	1.3	1.35	137	48	10.15	1.3	1.45	161	41	8.63	1.2	1.60	184	36	7.55	1.1	1.45	197	33	7.04	1.1	1.50	226	29	6.15	1.1	1.70	241	27	5.76	1.1	1.75	273	24	5.09	1.1	1.95	308	21	4.51	1.0	2.00	363	18	3.83	1.0	2.30																																																																
15	459	93.79	19	3.20	8.3	815	166.59	9.0	0.95	GR77	4P	29	234	47.75	5.1	1.20	9.5		713	145.67	10	1.10	GRF77	10		677	138.39	10	1.15	11	594	121.42	11	1.30	GR77 GRF77	4P	32	210	42.87	5.0	1.35			13	504	102.99	11	1.55			15	455	92.97			12	1.70	17	400	81.80			12	1.95	18	378	77.24			12	2.00	21	322	65.77			12	2.40	24	282	57.68	12	2.70			27	255	52.07	12	3.00	30	224			45.81	12	3.50	32	212	43.26	12	3.70	11			631	128.97	3.8	0.90	GR67 GRF67	4P	38			181	36.93			4.8	1.55	12			558			113.94	7.3	1.00			13	518	105.83	7.7	1.10			14	470	95.91	8.2	1.20			16	422	86.11	8.6	1.35			19	363	74.17	9.0	1.55			20	341	69.75	9.1	1.65	23	300	61.26	9.3	1.90	24	278	56.89	9.4	2.00	27	252			51.56	10	2.20	30	227			46.29	10	2.50	13	522	106.58	4.4	0.80	GR57 GRF57	4P	40			170	34.73	4.7		1.65	14		485	98.99	5.9			0.90			15	439	89.71			6.7	0.95	17			394	80.55	6.9	1.10	20	339	69.23	7.1	1.25		21	317		64.85	7.1	1.35	24	280	57.29	6.9			1.50	26	261	53.22	6.7	1.65	29	236	48.23			6.6	1.80	32			212	43.30	6.4	2.00	37	183	37.30	6.2	2.30	40	172	35.07	6.1	2.50	46	148	30.18	5.8	2.90	52	132	26.97	5.6	3.20	53	129	26.31	5.6	3.30	GR57 GRF57			4P	47	146	29.88	4.6			1.95	56	122					24.99	5.5	3.50	63			107	21.93	5.3	4.00	75	91	18.60	5.1	4.70	29	228	48.08	2.2	0.80	GR37	4P		52	131	26.70	4.4	2.20	31		212	44.81	4.0	0.85	GRF37	35	186	39.17	4.5	1.00	38	174	36.72	4.5	1.05	GR37 GRF37			4P	59	115	23.59	4.3			2.50	43	154					32.40	4.4	1.20	48			136	28.73	4.3	1.35	57	116	24.42	4.1	1.60	62	106	22.27	4.0	1.75	72	92	19.31	3.9	2.00	77	86	18.08	2.5	1.40	GR27 GRF27			4P	86	79	16.22	3.9			3.30	89	74					15.60	3.7	2.50	105			63	13.25	3.5	2.80	117	56	11.83	3.4	3.00	137	48	10.11	3.2	3.20	147	45	9.47	3.2	3.40	48	136	28.78	2.7	0.85	GR27	4P		62	106	22.32	2.6	1.10	57		116	24.47	2.7	1.00	GRF27	72	92	19.35	2.5	1.30	77	86	18.08	2.5	1.40	GR17 GRF17			4P	89	74	15.63	2.4			1.60	105	63					13.28	2.3	1.90	117					56	11.86	2.3	2.10	137	48			10.13	2.2	2.30	148	45	9.41	2.1			2.50	170	39			8.16	2.0	2.70			182	36	7.63	2.0	2.80	211	31	6.59	1.9	3.10	248	27	5.60	1.8	3.40	278	24	5.00	1.8	3.70	71	93	19.71	1.4	0.85	82	81	16.99	1.3	0.95	88	75	15.84	1.3	1.05	100	66	13.84	1.3	1.20	107	62	12.98	1.3	1.25	121	54	11.45	1.3	1.35	137	48	10.15	1.3	1.45	161	41	8.63	1.2	1.60	184	36	7.55	1.1	1.45	197	33	7.04	1.1	1.50	226	29	6.15	1.1	1.70	241	27	5.76	1.1	1.75	273	24	5.09	1.1	1.95	308	21	4.51	1.0	2.00	363	18	3.83	1.0	2.30																																																															
8.3	815	166.59	9.0	0.95	GR77	4P	29	234	47.75	5.1		1.20	9.5	713	145.67	10	1.10		GRF77	10	677	138.39	10	1.15	11	594	121.42	11	1.30	GR77 GRF77	4P	32	210	42.87			5.0	1.35	13	504	102.99			11	1.55	15	455	92.97			12	1.70	17			400	81.80	12	1.95	18			378	77.24	12	2.00	21			322	65.77	12	2.40	24			282	57.68	12	2.70	27	255	52.07			12	3.00	30	224	45.81	12	3.50			32	212	43.26	12	3.70	11	631	128.97	3.8			0.90	GR67 GRF67	4P	38			181	36.93	4.8	1.55	12			558	113.94	7.3			1.00			13	518	105.83			7.7	1.10	14	470	95.91			8.2	1.20	16	422	86.11			8.6	1.35	19	363	74.17			9.0	1.55	20	341	69.75			9.1	1.65	23	300	61.26	9.3	1.90	24	278	56.89	9.4	2.00	27	252	51.56	10	2.20			30	227	46.29	10	2.50	13	522	106.58	4.4	0.80	GR57 GRF57	4P	40	170	34.73			4.7			1.65	14	485		98.99	5.9		0.90	15	439			89.71			6.7	0.95	17			394	80.55	6.9			1.10	20	339	69.23	7.1	1.25	21	317	64.85		7.1	1.35		24	280	57.29	6.9	1.50	26	261			53.22	6.7	1.65	29	236	48.23	6.6	1.80	32			212	43.30	6.4	2.00	37	183	37.30	6.2	2.30	40	172	35.07	6.1	2.50	46	148	30.18	5.8	2.90	52	132	26.97	5.6	3.20	53	129	26.31	5.6	3.30	GR57 GRF57	4P	47	146	29.88					4.6	1.95	56	122			24.99	5.5	3.50					63	107	21.93	5.3	4.00	75	91	18.60	5.1	4.70	29	228	48.08	2.2	0.80	GR37	4P	52	131	26.70	4.4			2.20	31	212	44.81	4.0	0.85	GRF37	35	186	39.17	4.5	1.00	38	174	36.72	4.5	1.05	GR37 GRF37	4P	59	115	23.59					4.3	2.50	43	154			32.40	4.4	1.20					48	136	28.73	4.3	1.35	57	116	24.42	4.1	1.60	62	106	22.27	4.0	1.75	72	92	19.31	3.9	2.00	77	86	18.08	2.5	1.40	GR27 GRF27	4P	86	79	16.22					3.9	3.30	89	74			15.60	3.7	2.50					105	63	13.25	3.5	2.80	117	56	11.83	3.4	3.00	137	48	10.11	3.2	3.20	147	45	9.47	3.2	3.40	48	136	28.78	2.7	0.85	GR27	4P	62	106	22.32	2.6			1.10	57	116	24.47	2.7	1.00	GRF27	72	92	19.35	2.5	1.30	77	86	18.08	2.5	1.40	GR17 GRF17	4P	89	74	15.63					2.4	1.60	105	63			13.28	2.3	1.90					117	56	11.86	2.3					2.10	137	48	10.13	2.2	2.30			148	45	9.41	2.1	2.50	170	39			8.16	2.0	2.70			182	36	7.63	2.0	2.80	211	31	6.59	1.9	3.10	248	27	5.60	1.8	3.40	278	24	5.00	1.8	3.70	71	93	19.71	1.4	0.85	82	81	16.99	1.3	0.95	88	75	15.84	1.3	1.05	100	66	13.84	1.3	1.20	107	62	12.98	1.3	1.25	121	54	11.45	1.3	1.35	137	48	10.15	1.3	1.45	161	41	8.63	1.2	1.60	184	36	7.55	1.1	1.45	197	33	7.04	1.1	1.50	226	29	6.15	1.1	1.70	241	27	5.76	1.1	1.75	273	24	5.09	1.1	1.95	308	21	4.51	1.0	2.00	363	18	3.83	1.0	2.30																																																																				
9.5	713	145.67	10	1.10	GRF77		10	677	138.39	10		1.15	11	594	121.42	11	1.30	GR77 GRF77	4P	32	210	42.87	5.0	1.35	13	504	102.99	11	1.55			15	455	92.97			12	1.70	17	400	81.80			12	1.95	18	378	77.24			12	2.00	21			322	65.77	12	2.40	24			282	57.68	12	2.70	27			255	52.07	12	3.00	30			224	45.81	12	3.50	32	212	43.26			12	3.70	11	631	128.97	3.8	0.90			GR67 GRF67	4P	38	181	36.93	4.8	1.55	12	558	113.94	7.3	1.00			13			518	105.83	7.7	1.10	14			470	95.91	8.2			1.20			16	422	86.11			8.6	1.35	19	363	74.17			9.0	1.55	20	341	69.75			9.1	1.65	23	300	61.26			9.3	1.90	24	278	56.89			9.4	2.00	27	252	51.56	10	2.20	30	227	46.29	10	2.50	13	522	106.58	4.4	0.80	GR57 GRF57	4P	40	170	34.73	4.7	1.65	14	485	98.99	5.9	0.90			15	439	89.71			6.7			0.95	17	394		80.55	6.9		1.10	20	339			69.23			7.1	1.25	21			317	64.85	7.1			1.35	24	280	57.29	6.9	1.50	26	261	53.22		6.7	1.65		29	236	48.23	6.6	1.80	32	212			43.30	6.4	2.00	37	183	37.30	6.2	2.30	40	172	35.07	6.1	2.50	46	148	30.18	5.8	2.90	52	132	26.97	5.6	3.20	53	129	26.31	5.6	3.30	GR57 GRF57	4P	47	146	29.88	4.6	1.95	56	122	24.99	5.5	3.50			63	107	21.93					5.3	4.00	75	91			18.60	5.1	4.70		29	228		48.08	2.2	0.80	GR37	4P	52	131	26.70	4.4	2.20	31	212	44.81	4.0	0.85	GRF37		35	186	39.17	4.5		1.00	38	174	36.72	4.5	1.05	GR37 GRF37	4P	59	115	23.59	4.3	2.50	43	154	32.40	4.4	1.20			48	136	28.73					4.3	1.35	57	116			24.42	4.1	1.60		62	106		22.27	4.0	1.75	72	92	19.31	3.9	2.00	77	86	18.08	2.5	1.40	GR27 GRF27	4P	86	79	16.22	3.9	3.30	89	74	15.60	3.7	2.50			105	63	13.25					3.5	2.80	117	56			11.83	3.4	3.00		137	48		10.11	3.2	3.20	147	45	9.47	3.2	3.40	48	136	28.78	2.7	0.85	GR27	4P	62	106	22.32	2.6	1.10	57	116	24.47	2.7	1.00	GRF27		72	92	19.35	2.5		1.30	77	86	18.08	2.5	1.40	GR17 GRF17	4P	89	74	15.63	2.4	1.60	105	63	13.28	2.3	1.90			117	56	11.86					2.3	2.10	137	48			10.13	2.2	2.30					148	45	9.41	2.1					2.50	170	39	8.16	2.0	2.70			182	36	7.63	2.0	2.80	211	31			6.59	1.9	3.10	248	27	5.60	1.8	3.40	278	24	5.00	1.8	3.70	71	93	19.71	1.4	0.85	82	81	16.99	1.3	0.95	88	75	15.84	1.3	1.05	100	66	13.84	1.3	1.20	107	62	12.98	1.3	1.25	121	54	11.45	1.3	1.35	137	48	10.15	1.3	1.45	161	41	8.63	1.2	1.60	184	36	7.55	1.1	1.45	197	33	7.04	1.1	1.50	226	29	6.15	1.1	1.70	241	27	5.76	1.1	1.75	273	24	5.09	1.1	1.95	308	21	4.51	1.0	2.00	363	18	3.83	1.0	2.30																																																																																
10	677	138.39	10	1.15	11		594	121.42	11	1.30	GR77 GRF77	4P	32	210	42.87	5.0	1.35			13	504	102.99	11	1.55	15	455	92.97	12	1.70			17	400	81.80			12	1.95	18	378	77.24			12	2.00	21	322	65.77			12	2.40	24			282	57.68	12	2.70	27			255	52.07	12	3.00	30			224	45.81	12	3.50	32			212	43.26	12	3.70	11	631	128.97			3.8	0.90	GR67 GRF67	4P	38	181	36.93	4.8	1.55			12	558	113.94	7.3	1.00	13	518	105.83	7.7	1.10			14			470	95.91	8.2	1.20	16			422	86.11	8.6			1.35			19	363	74.17			9.0	1.55	20	341	69.75			9.1	1.65	23	300	61.26			9.3	1.90	24	278	56.89			9.4	2.00	27	252	51.56	10	2.20	30	227	46.29	10	2.50	13	522	106.58	4.4	0.80	GR57 GRF57	4P	40	170	34.73	4.7	1.65			14	485	98.99	5.9	0.90	15	439	89.71	6.7	0.95			17	394	80.55			6.9			1.10	20	339		69.23	7.1		1.25	21	317			64.85			7.1	1.35	24			280	57.29	6.9			1.50	26	261	53.22	6.7	1.65	29	236	48.23		6.6	1.80		32	212	43.30	6.4	2.00	37	183	37.30	6.2	2.30	40	172	35.07	6.1	2.50	46	148	30.18	5.8	2.90	52	132	26.97	5.6	3.20	53	129	26.31	5.6	3.30	GR57 GRF57	4P	47	146	29.88	4.6	1.95			56	122	24.99	5.5	3.50	63	107	21.93	5.3	4.00			75	91	18.60					5.1	4.70	29	228			48.08	2.2	0.80	GR37	4P	52	131	26.70	4.4	2.20	31		212	44.81	4.0	0.85	GRF37	35	186	39.17	4.5	1.00	38		174	36.72	4.5	1.05	GR37 GRF37	4P	59	115	23.59	4.3	2.50			43	154	32.40	4.4	1.20	48	136	28.73	4.3	1.35			57	116	24.42					4.1	1.60	62	106			22.27	4.0	1.75	72	92	19.31	3.9	2.00	77	86	18.08	2.5	1.40	GR27 GRF27	4P	86	79	16.22	3.9	3.30			89	74	15.60	3.7	2.50	105	63	13.25	3.5	2.80			117	56	11.83					3.4	3.00	137	48			10.11	3.2	3.20	147	45	9.47	3.2	3.40	48	136	28.78	2.7	0.85	GR27	4P	62	106	22.32	2.6	1.10	57		116	24.47	2.7	1.00	GRF27	72	92	19.35	2.5	1.30	77		86	18.08	2.5	1.40	GR17 GRF17	4P	89	74	15.63	2.4	1.60			105	63	13.28	2.3	1.90	117	56	11.86	2.3	2.10			137	48	10.13					2.2	2.30	148	45			9.41	2.1	2.50					170	39	8.16	2.0					2.70	182	36	7.63	2.0	2.80			211	31	6.59	1.9	3.10	248	27	5.60	1.8	3.40	278	24	5.00	1.8	3.70	71	93	19.71	1.4	0.85	82	81	16.99	1.3	0.95	88	75	15.84	1.3	1.05	100	66	13.84	1.3	1.20	107	62	12.98	1.3	1.25	121	54	11.45	1.3	1.35	137	48	10.15	1.3	1.45	161	41	8.63	1.2	1.60	184	36	7.55	1.1	1.45	197	33	7.04	1.1	1.50	226	29	6.15	1.1	1.70	241	27	5.76	1.1	1.75	273	24	5.09	1.1	1.95	308	21	4.51	1.0	2.00	363	18	3.83	1.0	2.30																																																																																							
11	594	121.42	11	1.30	GR77 GRF77	4P	32	210	42.87	5.0			1.35	13	504	102.99	11			1.55	15	455	92.97	12	1.70	17	400	81.80	12			1.95	18	378			77.24	12	2.00	21	322			65.77	12	2.40	24	282			57.68	12	2.70			27	255	52.07	12	3.00			30	224	45.81	12	3.50			32	212	43.26	12	3.70			11	631	128.97	3.8	0.90	GR67 GRF67	4P	38	181	36.93	4.8			1.55	12	558	113.94	7.3			1.00	13	518	105.83	7.7	1.10	14	470	95.91	8.2			1.20			16	422	86.11	8.6	1.35			19	363	74.17			9.0			1.55	20	341			69.75	9.1	1.65	23	300			61.26	9.3	1.90	24	278			56.89	9.4	2.00	27	252	51.56	10	2.20	30	227	46.29	10	2.50	13	522	106.58	4.4	0.80	GR57 GRF57	4P	40	170	34.73	4.7			1.65	14	485	98.99	5.9			0.90	15	439	89.71	6.7	0.95	17	394	80.55	6.9			1.10	20	339			69.23			7.1	1.25	21		317	64.85		7.1	1.35	24			280			57.29	6.9	1.50			26	261	53.22			6.7	1.65	29	236	48.23	6.6	1.80	32	212	43.30	6.4	2.00	37	183	37.30	6.2	2.30	40	172	35.07	6.1	2.50	46	148	30.18	5.8	2.90	52	132	26.97	5.6	3.20	53	129	26.31	5.6	3.30	GR57 GRF57	4P	47	146	29.88	4.6			1.95	56	122	24.99	5.5			3.50	63	107	21.93	5.3	4.00	75	91	18.60	5.1			4.70	29	228					48.08	2.2	0.80	GR37	4P	52	131	26.70	4.4	2.20		31	212	44.81	4.0	0.85	GRF37		35	186	39.17	4.5	1.00	38	174	36.72	4.5	1.05	GR37 GRF37	4P	59	115	23.59	4.3			2.50	43	154	32.40	4.4			1.20	48	136	28.73	4.3	1.35	57	116	24.42	4.1			1.60	62	106					22.27	4.0	1.75	72	92	19.31	3.9	2.00	77	86	18.08	2.5	1.40	GR27 GRF27	4P	86	79	16.22	3.9			3.30	89	74	15.60	3.7			2.50	105	63	13.25	3.5	2.80	117	56	11.83	3.4			3.00	137	48					10.11	3.2	3.20	147	45	9.47	3.2	3.40	48	136	28.78	2.7	0.85	GR27	4P	62	106	22.32	2.6	1.10		57	116	24.47	2.7	1.00	GRF27		72	92	19.35	2.5	1.30	77	86	18.08	2.5	1.40	GR17 GRF17	4P	89	74	15.63	2.4			1.60	105	63	13.28	2.3			1.90	117	56	11.86	2.3	2.10	137	48	10.13	2.2			2.30	148	45					9.41	2.1	2.50	170			39	8.16	2.0					2.70	182	36	7.63					2.0	2.80	211	31	6.59	1.9	3.10	248	27	5.60	1.8	3.40	278	24	5.00	1.8	3.70	71	93	19.71	1.4	0.85	82	81	16.99	1.3	0.95	88	75	15.84	1.3	1.05	100	66	13.84	1.3	1.20	107	62	12.98	1.3	1.25	121	54	11.45	1.3	1.35	137	48	10.15	1.3	1.45	161	41	8.63	1.2	1.60	184	36	7.55	1.1	1.45	197	33	7.04	1.1	1.50	226	29	6.15	1.1	1.70	241	27	5.76	1.1	1.75	273	24	5.09	1.1	1.95	308	21	4.51	1.0	2.00	363	18	3.83	1.0	2.30																																																																																													
13	504	102.99	11	1.55			15	455	92.97	12			1.70	17	400	81.80	12			1.95	18	378	77.24	12	2.00	21	322	65.77	12			2.40	24	282			57.68	12	2.70	27	255			52.07	12	3.00	30	224			45.81	12	3.50			32	212	43.26	12	3.70			11	631	128.97	3.8	0.90			GR67 GRF67	4P	38	181	36.93	4.8	1.55	12	558	113.94	7.3	1.00			13	518	105.83	7.7			1.10	14	470	95.91	8.2			1.20	16	422	86.11	8.6	1.35	19	363	74.17	9.0			1.55			20	341	69.75	9.1	1.65			23	300	61.26			9.3			1.90	24	278			56.89	9.4	2.00	27	252			51.56	10	2.20	30	227	46.29	10	2.50	13	522	106.58	4.4	0.80	GR57 GRF57	4P	40	170	34.73	4.7	1.65	14	485	98.99	5.9	0.90			15	439	89.71	6.7			0.95	17	394	80.55	6.9			1.10	20	339	69.23	7.1	1.25	21	317	64.85	7.1			1.35	24	280			57.29			6.9	1.50	26		261	53.22		6.7	1.65	29			236			48.23	6.6	1.80			32	212	43.30	6.4	2.00	37	183	37.30	6.2	2.30	40	172	35.07	6.1	2.50	46	148	30.18	5.8	2.90	52	132	26.97	5.6	3.20	53	129	26.31	5.6	3.30	GR57 GRF57	4P	47	146	29.88	4.6	1.95	56	122	24.99	5.5	3.50			63	107	21.93	5.3			4.00	75	91	18.60	5.1			4.70	29	228	48.08	2.2	0.80	GR37	4P	52	131			26.70	4.4	2.20		31	212		44.81	4.0	0.85	GRF37		35	186	39.17	4.5	1.00		38	174	36.72	4.5	1.05	GR37 GRF37	4P	59	115	23.59	4.3	2.50	43	154	32.40	4.4	1.20			48	136	28.73	4.3			1.35	57	116	24.42	4.1			1.60	62	106	22.27	4.0	1.75	72	92	19.31	3.9			2.00	77	86		18.08	2.5		1.40	GR27 GRF27	4P	86	79	16.22	3.9	3.30	89	74	15.60	3.7	2.50			105	63	13.25	3.5			2.80	117	56	11.83	3.4			3.00	137	48	10.11	3.2	3.20	147	45	9.47	3.2			3.40	48	136		28.78	2.7		0.85	GR27	4P	62	106	22.32	2.6	1.10	57	116	24.47	2.7	1.00	GRF27		72	92	19.35	2.5	1.30		77	86	18.08	2.5	1.40	GR17 GRF17	4P	89	74	15.63	2.4	1.60	105	63	13.28	2.3	1.90			117	56	11.86	2.3			2.10	137	48	10.13	2.2			2.30	148	45	9.41	2.1	2.50	170	39	8.16	2.0			2.70	182	36					7.63	2.0	2.80	211			31	6.59	1.9					3.10	248	27	5.60		1.8	3.40		278	24	5.00	1.8	3.70	71	93	19.71	1.4	0.85	82	81	16.99	1.3	0.95	88	75	15.84	1.3	1.05	100	66	13.84	1.3	1.20	107	62	12.98	1.3	1.25	121	54	11.45	1.3	1.35	137	48	10.15	1.3	1.45	161	41	8.63	1.2	1.60	184	36	7.55	1.1	1.45	197	33	7.04	1.1	1.50	226	29	6.15	1.1	1.70	241	27	5.76	1.1	1.75	273	24	5.09	1.1	1.95	308	21	4.51	1.0	2.00	363	18	3.83	1.0	2.30																																																																																																									
15	455	92.97	12	1.70			17	400	81.80	12			1.95	18	378	77.24	12			2.00	21	322	65.77	12	2.40	24	282	57.68	12			2.70	27	255			52.07	12	3.00	30	224			45.81	12	3.50	32	212			43.26	12	3.70			11	631	128.97	3.8	0.90			GR67 GRF67	4P	38	181	36.93	4.8	1.55			12	558	113.94	7.3	1.00	13	518	105.83	7.7	1.10			14	470	95.91	8.2			1.20	16	422	86.11	8.6			1.35	19	363	74.17	9.0	1.55	20	341	69.75	9.1			1.65			23	300	61.26	9.3	1.90			24	278	56.89			9.4			2.00	27	252			51.56	10	2.20	30	227	46.29	10	2.50	13	522	106.58	4.4	0.80	GR57 GRF57	4P	40	170	34.73	4.7	1.65			14	485	98.99	5.9	0.90	15	439	89.71	6.7	0.95			17	394	80.55	6.9			1.10	20	339	69.23	7.1			1.25	21	317	64.85	7.1	1.35	24	280	57.29	6.9			1.50	26	261			53.22			6.7	1.65	29		236	48.23		6.6	1.80	32			212			43.30	6.4	2.00	37	183	37.30	6.2	2.30	40	172	35.07	6.1	2.50	46	148	30.18	5.8	2.90	52	132	26.97	5.6	3.20	53	129	26.31	5.6	3.30	GR57 GRF57	4P	47	146	29.88	4.6	1.95			56	122	24.99	5.5	3.50	63	107	21.93	5.3	4.00			75	91	18.60	5.1			4.70	29	228	48.08	2.2			0.80	GR37	4P	52	131	26.70	4.4		2.20	31			212	44.81	4.0	0.85	GRF37	35	186	39.17	4.5	1.00	38		174	36.72	4.5	1.05	GR37 GRF37	4P	59	115	23.59	4.3	2.50			43	154	32.40	4.4	1.20	48	136	28.73	4.3	1.35			57	116	24.42	4.1			1.60	62	106	22.27	4.0			1.75	72	92	19.31	3.9	2.00	77	86	18.08	2.5			1.40	GR27 GRF27	4P	86	79	16.22	3.9	3.30			89	74	15.60	3.7	2.50	105	63	13.25	3.5	2.80			117	56	11.83	3.4			3.00	137	48	10.11	3.2			3.20	147	45	9.47	3.2	3.40	48	136	28.78	2.7			0.85	GR27	4P	62	106	22.32	2.6	1.10	57		116	24.47	2.7	1.00	GRF27	72	92	19.35	2.5	1.30	77		86	18.08	2.5	1.40	GR17 GRF17	4P	89	74	15.63	2.4	1.60			105	63	13.28	2.3	1.90	117	56	11.86	2.3	2.10			137	48	10.13	2.2			2.30	148	45	9.41	2.1			2.50	170	39	8.16	2.0	2.70	182	36	7.63	2.0			2.80	211	31					6.59	1.9	3.10	248			27	5.60	1.8					3.40	278	24	5.00	1.8	3.70	71	93	19.71	1.4	0.85	82	81	16.99	1.3	0.95	88	75	15.84	1.3	1.05	100	66	13.84	1.3	1.20	107	62	12.98	1.3	1.25	121	54	11.45	1.3	1.35	137	48	10.15	1.3	1.45	161	41	8.63	1.2	1.60	184	36	7.55	1.1	1.45	197	33	7.04	1.1	1.50	226	29	6.15	1.1	1.70	241	27	5.76	1.1	1.75	273	24	5.09	1.1	1.95	308	21	4.51	1.0	2.00	363	18	3.83	1.0	2.30																																																																																																																
17	400	81.80	12	1.95			18	378	77.24	12			2.00	21	322	65.77	12			2.40	24	282	57.68	12	2.70	27	255	52.07	12			3.00	30	224			45.81	12	3.50	32	212			43.26	12	3.70	11	631			128.97	3.8	0.90			GR67 GRF67	4P	38	181	36.93	4.8	1.55			12	558	113.94	7.3	1.00			13	518	105.83	7.7	1.10	14	470	95.91	8.2	1.20			16	422	86.11	8.6			1.35	19	363	74.17	9.0			1.55	20	341	69.75	9.1	1.65	23	300	61.26	9.3			1.90			24	278	56.89	9.4	2.00			27	252	51.56			10			2.20	30	227	46.29	10	2.50	13	522	106.58	4.4	0.80	GR57 GRF57	4P	40	170	34.73	4.7	1.65			14	485	98.99	5.9	0.90			15	439	89.71	6.7	0.95	17	394	80.55	6.9	1.10			20	339	69.23	7.1			1.25	21	317	64.85	7.1			1.35	24	280	57.29	6.9	1.50	26	261	53.22	6.7			1.65	29	236			48.23			6.6	1.80	32		212	43.30		6.4	2.00	37			183	37.30	6.2	2.30	40	172	35.07	6.1	2.50	46	148	30.18	5.8	2.90	52	132	26.97	5.6	3.20	53	129	26.31	5.6	3.30	GR57 GRF57	4P	47	146	29.88	4.6	1.95			56	122	24.99	5.5	3.50			63	107	21.93	5.3	4.00	75	91	18.60	5.1	4.70			29	228	48.08	2.2			0.80	GR37	4P	52	131			26.70	4.4		2.20	31	212	44.81		4.0	0.85	GRF37	35	186	39.17	4.5	1.00	38	174	36.72	4.5	1.05	GR37 GRF37	4P	59	115	23.59	4.3	2.50			43	154	32.40	4.4	1.20			48	136	28.73	4.3	1.35	57	116	24.42	4.1	1.60			62	106	22.27	4.0			1.75	72	92	19.31	3.9			2.00	77	86	18.08	2.5	1.40	GR27 GRF27	4P	86	79	16.22	3.9	3.30			89	74	15.60	3.7	2.50			105	63	13.25	3.5	2.80	117	56	11.83	3.4	3.00			137	48	10.11	3.2			3.20	147	45	9.47	3.2			3.40	48	136	28.78	2.7	0.85	GR27	4P	62	106	22.32	2.6	1.10	57		116	24.47	2.7	1.00	GRF27	72		92	19.35	2.5	1.30	77	86	18.08	2.5	1.40	GR17 GRF17	4P	89	74	15.63	2.4	1.60			105	63	13.28	2.3	1.90			117	56	11.86	2.3	2.10	137	48	10.13	2.2	2.30			148	45	9.41	2.1			2.50	170	39	8.16	2.0			2.70	182	36	7.63	2.0	2.80	211	31	6.59	1.9			3.10	248	27					5.60	1.8	3.40	278			24	5.00	1.8		3.70	71		93	19.71	1.4	0.85	82	81	16.99	1.3	0.95	88	75	15.84	1.3	1.05	100	66	13.84	1.3	1.20	107	62	12.98	1.3	1.25	121	54	11.45	1.3	1.35	137	48	10.15	1.3	1.45	161	41	8.63	1.2	1.60	184	36	7.55	1.1	1.45	197	33	7.04	1.1	1.50	226	29	6.15	1.1	1.70	241	27	5.76	1.1	1.75	273	24	5.09	1.1	1.95	308	21	4.51	1.0	2.00	363	18	3.83	1.0	2.30																																																																																																																							
18	378	77.24	12	2.00			21	322	65.77	12			2.40	24	282	57.68	12			2.70	27	255	52.07	12	3.00	30	224	45.81	12			3.50	32	212			43.26	12	3.70	11	631			128.97	3.8	0.90	GR67 GRF67	4P			38	181	36.93	4.8	1.55			12	558	113.94	7.3	1.00			13	518	105.83	7.7	1.10			14	470	95.91	8.2	1.20	16	422	86.11	8.6	1.35			19	363	74.17	9.0			1.55	20	341	69.75	9.1			1.65	23	300	61.26	9.3	1.90	24	278	56.89	9.4			2.00			27	252	51.56	10	2.20			30	227	46.29			10	2.50	13	522	106.58	4.4	0.80	GR57 GRF57	4P	40	170	34.73	4.7	1.65			14	485	98.99	5.9	0.90			15	439	89.71	6.7	0.95			17	394	80.55	6.9	1.10	20	339	69.23	7.1	1.25			21	317	64.85	7.1			1.35	24	280	57.29	6.9			1.50	26	261	53.22	6.7	1.65	29	236	48.23	6.6			1.80	32	212			43.30			6.4	2.00	37		183	37.30		6.2	2.30	40	172	35.07	6.1	2.50	46	148	30.18	5.8	2.90	52	132	26.97	5.6	3.20	53	129	26.31	5.6	3.30	GR57 GRF57	4P	47	146	29.88	4.6	1.95			56	122	24.99	5.5	3.50			63	107	21.93	5.3	4.00			75	91	18.60	5.1	4.70	29	228	48.08	2.2	0.80			GR37	4P	52	131			26.70	4.4		2.20	31	212	44.81	4.0	0.85		GRF37	35	186	39.17	4.5	1.00	38	174	36.72	4.5	1.05	GR37 GRF37	4P	59	115	23.59	4.3	2.50			43	154	32.40	4.4	1.20			48	136	28.73	4.3	1.35			57	116	24.42	4.1	1.60	62	106	22.27	4.0	1.75			72	92	19.31	3.9			2.00	77	86	18.08	2.5	1.40	GR27 GRF27	4P	86	79	16.22	3.9	3.30			89	74	15.60	3.7	2.50			105	63	13.25	3.5	2.80			117	56	11.83	3.4	3.00	137	48	10.11	3.2	3.20			147	45	9.47	3.2			3.40	48	136	28.78	2.7	0.85	GR27	4P	62	106	22.32	2.6	1.10	57		116	24.47	2.7	1.00	GRF27	72		92	19.35	2.5	1.30	77	86	18.08	2.5	1.40	GR17 GRF17	4P	89	74	15.63	2.4	1.60			105	63	13.28	2.3	1.90			117	56	11.86	2.3	2.10			137	48	10.13	2.2	2.30	148	45	9.41	2.1	2.50			170	39	8.16	2.0			2.70	182	36	7.63	2.0			2.80	211	31	6.59	1.9	3.10	248	27	5.60	1.8			3.40	278	24					5.00	1.8	3.70	71			93	19.71	1.4	0.85	82	81	16.99	1.3	0.95	88	75	15.84	1.3	1.05	100	66	13.84	1.3	1.20	107	62	12.98	1.3	1.25	121	54	11.45	1.3	1.35	137	48	10.15	1.3	1.45	161	41	8.63	1.2	1.60	184	36	7.55	1.1	1.45	197	33	7.04	1.1	1.50	226	29	6.15	1.1	1.70	241	27	5.76	1.1	1.75	273	24	5.09	1.1	1.95	308	21	4.51	1.0	2.00	363	18	3.83	1.0	2.30																																																																																																																														
21	322	65.77	12	2.40			24	282	57.68	12			2.70	27	255	52.07	12			3.00	30	224	45.81	12	3.50	32	212	43.26	12			3.70	11	631			128.97	3.8	0.90	GR67 GRF67	4P			38	181	36.93			4.8	1.55	12	558	113.94	7.3	1.00			13	518	105.83	7.7	1.10			14	470	95.91	8.2	1.20			16	422	86.11	8.6	1.35	19	363	74.17	9.0	1.55			20	341	69.75	9.1			1.65	23	300	61.26	9.3			1.90	24	278	56.89	9.4	2.00	27	252	51.56	10			2.20			30	227	46.29	10	2.50			13	522	106.58	4.4	0.80	GR57 GRF57	4P	40	170	34.73	4.7	1.65			14	485	98.99	5.9	0.90			15	439	89.71	6.7	0.95			17	394	80.55	6.9	1.10			20	339	69.23	7.1	1.25	21	317	64.85	7.1	1.35			24	280	57.29	6.9			1.50	26	261	53.22	6.7			1.65	29	236	48.23	6.6	1.80	32	212	43.30	6.4			2.00	37	183			37.30			6.2	2.30	40	172	35.07	6.1	2.50	46	148	30.18	5.8	2.90	52	132	26.97	5.6	3.20	53	129	26.31	5.6	3.30	GR57 GRF57	4P	47	146	29.88	4.6	1.95			56	122	24.99	5.5	3.50			63	107	21.93	5.3	4.00			75	91	18.60	5.1	4.70			29	228	48.08	2.2	0.80	GR37	4P	52	131	26.70			4.4		2.20	31	212	44.81	4.0	0.85		GRF37	35	186	39.17	4.5	1.00	38	174	36.72	4.5	1.05	GR37 GRF37	4P	59	115	23.59	4.3	2.50			43	154	32.40	4.4	1.20			48	136	28.73	4.3	1.35			57	116	24.42	4.1	1.60			62	106	22.27	4.0	1.75	72	92	19.31	3.9	2.00			77	86	18.08	2.5	1.40	GR27 GRF27	4P	86	79	16.22	3.9	3.30			89	74	15.60	3.7	2.50			105	63	13.25	3.5	2.80			117	56	11.83	3.4	3.00			137	48	10.11	3.2	3.20	147	45	9.47	3.2	3.40			48	136	28.78	2.7	0.85	GR27	4P	62	106	22.32	2.6	1.10	57		116	24.47	2.7	1.00	GRF27	72		92	19.35	2.5	1.30	77	86	18.08	2.5	1.40	GR17 GRF17	4P	89	74	15.63	2.4	1.60			105	63	13.28	2.3	1.90			117	56	11.86	2.3	2.10			137	48	10.13	2.2	2.30			148	45	9.41	2.1	2.50	170	39	8.16	2.0	2.70			182	36	7.63	2.0			2.80	211	31	6.59	1.9			3.10	248	27	5.60	1.8	3.40	278	24	5.00	1.8			3.70	71	93					19.71	1.4	0.85	82	81	16.99	1.3	0.95	88	75	15.84	1.3	1.05	100	66	13.84	1.3	1.20	107	62	12.98	1.3	1.25	121	54	11.45	1.3	1.35	137	48	10.15	1.3	1.45	161	41	8.63	1.2	1.60	184	36	7.55	1.1	1.45	197	33	7.04	1.1	1.50	226	29	6.15	1.1	1.70	241	27	5.76	1.1	1.75	273	24	5.09	1.1	1.95	308	21	4.51	1.0	2.00	363	18	3.83	1.0	2.30																																																																																																																																					
24	282	57.68	12	2.70			27	255	52.07	12			3.00	30	224	45.81	12			3.50	32	212	43.26	12	3.70	11	631	128.97	3.8			0.90	GR67 GRF67	4P			38	181	36.93			4.8	1.55	12	558	113.94			7.3	1.00	13	518	105.83	7.7	1.10			14	470	95.91	8.2	1.20			16	422	86.11	8.6	1.35			19	363	74.17	9.0	1.55	20	341	69.75	9.1	1.65			23	300	61.26	9.3			1.90	24	278	56.89	9.4			2.00	27	252	51.56	10	2.20	30	227	46.29	10			2.50			13	522	106.58	4.4	0.80	GR57 GRF57	4P	40	170	34.73	4.7	1.65			14	485	98.99	5.9	0.90			15	439	89.71	6.7	0.95			17	394	80.55	6.9	1.10			20	339	69.23	7.1	1.25			21	317	64.85	7.1	1.35	24	280	57.29	6.9	1.50			26	261	53.22	6.7			1.65	29	236	48.23	6.6			1.80	32	212	43.30	6.4	2.00	37	183	37.30	6.2			2.30	40	172			35.07	6.1	2.50	46	148	30.18	5.8	2.90	52	132	26.97	5.6	3.20	53	129	26.31	5.6	3.30	GR57 GRF57	4P	47	146	29.88	4.6	1.95			56	122	24.99	5.5	3.50			63	107	21.93	5.3	4.00			75	91	18.60	5.1	4.70			29	228	48.08	2.2	0.80			GR37	4P	52	131	26.70	4.4		2.20	31	212	44.81	4.0	0.85		GRF37	35	186	39.17	4.5	1.00	38	174	36.72	4.5	1.05	GR37 GRF37	4P	59	115	23.59	4.3	2.50			43	154	32.40	4.4	1.20			48	136	28.73	4.3	1.35			57	116	24.42	4.1	1.60			62	106	22.27	4.0	1.75			72	92	19.31	3.9	2.00	77	86	18.08	2.5	1.40	GR27 GRF27	4P	86	79	16.22	3.9	3.30			89	74	15.60	3.7	2.50			105	63	13.25	3.5	2.80			117	56	11.83	3.4	3.00			137	48	10.11	3.2	3.20			147	45	9.47	3.2	3.40	48	136	28.78	2.7	0.85	GR27	4P	62	106	22.32	2.6	1.10	57		116	24.47	2.7	1.00	GRF27	72		92	19.35	2.5	1.30	77	86	18.08	2.5	1.40	GR17 GRF17	4P	89	74	15.63	2.4	1.60			105	63	13.28	2.3	1.90			117	56	11.86	2.3	2.10			137	48	10.13	2.2	2.30			148	45	9.41	2.1	2.50			170	39	8.16	2.0	2.70	182	36	7.63	2.0	2.80			211	31	6.59	1.9			3.10	248	27	5.60	1.8			3.40	278	24	5.00	1.8	3.70	71	93	19.71	1.4			0.85	82	81		16.99	1.3		0.95	88	75	15.84	1.3	1.05	100	66	13.84	1.3	1.20	107	62	12.98	1.3	1.25	121	54	11.45	1.3	1.35	137	48	10.15	1.3	1.45	161	41	8.63	1.2	1.60	184	36	7.55	1.1	1.45	197	33	7.04	1.1	1.50	226	29	6.15	1.1	1.70	241	27	5.76	1.1	1.75	273	24	5.09	1.1	1.95	308	21	4.51	1.0	2.00	363	18	3.83	1.0	2.30																																																																																																																																												
27	255	52.07	12	3.00			30	224	45.81	12			3.50	32	212	43.26	12			3.70	11	631	128.97	3.8	0.90	GR67 GRF67	4P	38	181			36.93			4.8	1.55	12	558	113.94			7.3	1.00	13	518	105.83			7.7	1.10	14	470	95.91	8.2	1.20			16	422	86.11	8.6	1.35			19	363	74.17	9.0	1.55			20	341	69.75	9.1	1.65	23	300	61.26	9.3	1.90			24	278	56.89	9.4			2.00	27	252	51.56	10			2.20	30	227	46.29	10	2.50	13	522	106.58	4.4			0.80	GR57 GRF57	4P	40	170	34.73	4.7	1.65			14	485	98.99	5.9	0.90			15	439	89.71	6.7	0.95			17	394	80.55	6.9	1.10			20	339	69.23	7.1	1.25			21	317	64.85	7.1	1.35			24	280	57.29	6.9	1.50	26	261	53.22	6.7	1.65			29	236	48.23	6.6			1.80	32	212	43.30	6.4			2.00	37	183	37.30	6.2	2.30	40	172	35.07	6.1			2.50	46	148	30.18	5.8	2.90	52	132	26.97	5.6	3.20	53	129	26.31	5.6	3.30	GR57 GRF57	4P	47	146	29.88	4.6	1.95			56	122	24.99	5.5	3.50			63	107	21.93	5.3	4.00			75	91	18.60	5.1	4.70			29	228	48.08	2.2	0.80			GR37	4P	52	131	26.70	4.4	2.20	31		212	44.81	4.0	0.85		GRF37	35	186	39.17	4.5	1.00	38	174	36.72	4.5	1.05	GR37 GRF37	4P	59	115	23.59	4.3	2.50			43	154	32.40	4.4	1.20			48	136	28.73	4.3	1.35			57	116	24.42	4.1	1.60			62	106	22.27	4.0	1.75			72	92	19.31	3.9	2.00	77	86	18.08	2.5	1.40	GR27 GRF27	4P	86	79	16.22	3.9	3.30			89	74	15.60	3.7	2.50			105	63	13.25	3.5	2.80			117	56	11.83	3.4	3.00			137	48	10.11	3.2	3.20			147	45	9.47	3.2	3.40	48	136	28.78	2.7	0.85	GR27	4P	62	106	22.32	2.6	1.10	57		116	24.47	2.7	1.00	GRF27	72		92	19.35	2.5	1.30	77	86	18.08	2.5	1.40	GR17 GRF17	4P	89	74	15.63	2.4	1.60			105	63	13.28	2.3	1.90			117	56	11.86	2.3	2.10			137	48	10.13	2.2	2.30			148	45	9.41	2.1	2.50			170	39	8.16	2.0	2.70			182	36	7.63	2.0	2.80	211	31	6.59	1.9	3.10			248	27	5.60	1.8			3.40	278	24	5.00	1.8			3.70	71	93	19.71	1.4	0.85	82	81	16.99	1.3			0.95	88	75	15.84	1.3	1.05	100	66	13.84	1.3	1.20	107	62	12.98	1.3	1.25	121	54	11.45	1.3	1.35	137	48	10.15	1.3	1.45	161	41	8.63	1.2	1.60	184	36	7.55	1.1	1.45	197	33	7.04	1.1	1.50	226	29	6.15	1.1	1.70	241	27	5.76	1.1	1.75	273	24	5.09	1.1	1.95	308	21	4.51	1.0	2.00	363	18	3.83	1.0	2.30																																																																																																																																																			
30	224	45.81	12	3.50			32	212	43.26	12			3.70	11	631	128.97	3.8			0.90	GR67 GRF67	4P	38	181	36.93			4.8	1.55	12	558	113.94			7.3	1.00	13	518	105.83			7.7	1.10	14	470	95.91			8.2	1.20	16	422	86.11	8.6	1.35			19	363	74.17	9.0	1.55			20	341	69.75	9.1	1.65			23	300	61.26	9.3	1.90	24	278	56.89	9.4	2.00			27	252	51.56	10			2.20	30	227	46.29	10			2.50	13	522	106.58	4.4	0.80	GR57 GRF57	4P	40	170	34.73	4.7	1.65			14	485	98.99	5.9	0.90			15	439	89.71	6.7	0.95			17	394	80.55	6.9	1.10			20	339	69.23	7.1	1.25			21	317	64.85	7.1	1.35			24	280	57.29	6.9	1.50			26	261	53.22	6.7	1.65	29	236	48.23	6.6	1.80			32	212	43.30	6.4			2.00	37	183	37.30	6.2			2.30	40	172	35.07	6.1	2.50	46	148	30.18	5.8	2.90	52	132	26.97	5.6	3.20	53	129	26.31	5.6	3.30	GR57 GRF57	4P	47	146	29.88	4.6	1.95			56	122	24.99	5.5	3.50			63	107	21.93	5.3	4.00			75	91	18.60	5.1	4.70			29	228	48.08	2.2	0.80			GR37	4P	52	131	26.70	4.4	2.20	31		212	44.81	4.0	0.85	GRF37	35		186	39.17	4.5	1.00	38	174	36.72	4.5	1.05	GR37 GRF37	4P	59	115	23.59	4.3	2.50			43	154	32.40	4.4	1.20			48	136	28.73	4.3	1.35			57	116	24.42	4.1	1.60			62	106	22.27	4.0	1.75			72	92	19.31	3.9	2.00	77	86	18.08	2.5	1.40	GR27 GRF27	4P	86	79	16.22	3.9	3.30			89	74	15.60	3.7	2.50			105	63	13.25	3.5	2.80			117	56	11.83	3.4	3.00			137	48	10.11	3.2	3.20			147	45	9.47	3.2	3.40	48	136	28.78	2.7	0.85	GR27	4P	62	106	22.32	2.6	1.10	57		116	24.47	2.7	1.00	GRF27	72		92	19.35	2.5	1.30	77	86	18.08	2.5	1.40	GR17 GRF17	4P	89	74	15.63	2.4	1.60			105	63	13.28	2.3	1.90			117	56	11.86	2.3	2.10			137	48	10.13	2.2	2.30			148	45	9.41	2.1	2.50			170	39	8.16	2.0	2.70			182	36	7.63	2.0	2.80			211	31	6.59	1.9	3.10	248	27	5.60	1.8	3.40			278	24	5.00	1.8			3.70	71	93	19.71	1.4			0.85	82	81	16.99	1.3	0.95	88	75	15.84	1.3	1.05	100	66	13.84	1.3	1.20	107	62	12.98	1.3	1.25	121	54	11.45	1.3	1.35	137	48	10.15	1.3	1.45	161	41	8.63	1.2	1.60	184	36	7.55	1.1	1.45	197	33	7.04	1.1	1.50	226	29	6.15	1.1	1.70	241	27	5.76	1.1	1.75	273	24	5.09	1.1	1.95	308	21	4.51	1.0	2.00	363	18	3.83	1.0	2.30																																																																																																																																																										
32	212	43.26	12	3.70			11	631	128.97	3.8			0.90	GR67 GRF67	4P	38	181	36.93	4.8	1.55			12	558	113.94			7.3	1.00	13	518	105.83			7.7	1.10	14	470	95.91			8.2	1.20	16	422	86.11			8.6	1.35	19	363	74.17	9.0	1.55			20	341	69.75	9.1	1.65			23	300	61.26	9.3	1.90			24	278	56.89	9.4	2.00	27	252	51.56	10	2.20			30	227	46.29	10			2.50	13	522	106.58	4.4	0.80	GR57 GRF57	4P	40	170	34.73	4.7	1.65			14	485	98.99	5.9	0.90			15	439	89.71	6.7	0.95			17	394	80.55	6.9	1.10			20	339	69.23	7.1	1.25			21	317	64.85	7.1	1.35			24	280	57.29	6.9	1.50			26	261	53.22	6.7	1.65			29	236	48.23	6.6	1.80	32	212	43.30	6.4	2.00			37	183	37.30	6.2			2.30	40	172	35.07	6.1	2.50	46	148	30.18	5.8	2.90	52	132	26.97	5.6	3.20	53	129	26.31	5.6	3.30	GR57 GRF57	4P	47	146	29.88	4.6	1.95			56	122	24.99	5.5	3.50			63	107	21.93	5.3	4.00			75	91	18.60	5.1	4.70			29	228	48.08	2.2	0.80			GR37	4P	52	131	26.70	4.4	2.20	31		212	44.81	4.0	0.85	GRF37	35		186	39.17	4.5	1.00	38	174	36.72	4.5	1.05	GR37 GRF37	4P	59	115	23.59	4.3	2.50			43	154	32.40	4.4	1.20			48	136	28.73	4.3	1.35			57	116	24.42	4.1	1.60			62	106	22.27	4.0	1.75			72	92	19.31	3.9	2.00	77	86	18.08	2.5	1.40	GR27 GRF27	4P	86	79	16.22	3.9	3.30			89	74	15.60	3.7	2.50			105	63	13.25	3.5	2.80			117	56	11.83	3.4	3.00			137	48	10.11	3.2	3.20			147	45	9.47	3.2	3.40	48	136	28.78	2.7	0.85	GR27	4P	62	106	22.32	2.6	1.10	57		116	24.47	2.7	1.00	GRF27	72		92	19.35	2.5	1.30	77	86	18.08	2.5	1.40	GR17 GRF17	4P	89	74	15.63	2.4	1.60			105	63	13.28	2.3	1.90			117	56	11.86	2.3	2.10			137	48	10.13	2.2	2.30			148	45	9.41	2.1	2.50			170	39	8.16	2.0	2.70			182	36	7.63	2.0	2.80			211	31	6.59	1.9	3.10			248	27	5.60	1.8	3.40	278	24	5.00	1.8	3.70			71	93	19.71	1.4			0.85	82	81	16.99	1.3	0.95	88	75	15.84	1.3	1.05	100	66	13.84	1.3	1.20	107	62	12.98	1.3	1.25	121	54	11.45	1.3	1.35	137	48	10.15	1.3	1.45	161	41	8.63	1.2	1.60	184	36	7.55	1.1	1.45	197	33	7.04	1.1	1.50	226	29	6.15	1.1	1.70	241	27	5.76	1.1	1.75	273	24	5.09	1.1	1.95	308	21	4.51	1.0	2.00	363	18	3.83	1.0	2.30																																																																																																																																																																	
11	631	128.97	3.8	0.90			GR67 GRF67	4P	38	181	36.93	4.8	1.55			12	558	113.94	7.3	1.00			13	518	105.83			7.7	1.10	14	470	95.91			8.2	1.20	16	422	86.11			8.6	1.35	19	363	74.17			9.0	1.55	20	341	69.75	9.1	1.65			23	300	61.26	9.3	1.90			24	278	56.89	9.4	2.00			27	252	51.56	10	2.20	30	227	46.29	10	2.50			13	522	106.58	4.4	0.80	GR57 GRF57	4P	40	170	34.73	4.7	1.65			14	485	98.99	5.9	0.90			15	439	89.71	6.7	0.95			17	394	80.55	6.9	1.10			20	339	69.23	7.1	1.25			21	317	64.85	7.1	1.35			24	280	57.29	6.9	1.50			26	261	53.22	6.7	1.65			29	236	48.23	6.6	1.80			32	212	43.30	6.4	2.00	37	183	37.30	6.2	2.30			40	172	35.07	6.1	2.50	46	148	30.18	5.8	2.90	52	132	26.97	5.6	3.20	53	129	26.31	5.6	3.30	GR57 GRF57	4P	47	146	29.88	4.6	1.95			56	122	24.99	5.5	3.50			63	107	21.93	5.3	4.00			75	91	18.60	5.1	4.70			29	228	48.08	2.2	0.80			GR37	4P	52	131	26.70	4.4	2.20	31		212	44.81	4.0	0.85	GRF37	35		186	39.17	4.5	1.00	38	174	36.72	4.5	1.05	GR37 GRF37	4P	59	115	23.59	4.3	2.50			43	154	32.40	4.4	1.20			48	136	28.73	4.3	1.35			57	116	24.42	4.1	1.60			62	106	22.27	4.0	1.75			72	92	19.31	3.9	2.00	77	86	18.08	2.5	1.40	GR27 GRF27	4P	86	79	16.22	3.9	3.30			89	74	15.60	3.7	2.50			105	63	13.25	3.5	2.80			117	56	11.83	3.4	3.00			137	48	10.11	3.2	3.20			147	45	9.47	3.2	3.40	48	136	28.78	2.7	0.85	GR27	4P	62	106	22.32	2.6	1.10	57		116	24.47	2.7	1.00	GRF27	72		92	19.35	2.5	1.30	77	86	18.08	2.5	1.40	GR17 GRF17	4P	89	74	15.63	2.4	1.60			105	63	13.28	2.3	1.90			117	56	11.86	2.3	2.10			137	48	10.13	2.2	2.30			148	45	9.41	2.1	2.50			170	39	8.16	2.0	2.70			182	36	7.63	2.0	2.80			211	31	6.59	1.9	3.10			248	27	5.60	1.8	3.40			278	24	5.00	1.8	3.70	71	93	19.71	1.4	0.85			82	81	16.99	1.3	0.95	88	75	15.84	1.3	1.05	100	66	13.84	1.3	1.20	107	62	12.98	1.3	1.25	121	54	11.45	1.3	1.35	137	48	10.15	1.3	1.45	161	41	8.63	1.2	1.60	184	36	7.55	1.1	1.45	197	33	7.04	1.1	1.50	226	29	6.15	1.1	1.70	241	27	5.76	1.1	1.75	273	24	5.09	1.1	1.95	308	21	4.51	1.0	2.00	363	18	3.83	1.0	2.30																																																																																																																																																																								
12	558	113.94	7.3	1.00	13	518			105.83	7.7	1.10	14	470			95.91	8.2	1.20	16	422			86.11	8.6	1.35			19	363	74.17	9.0	1.55			20	341	69.75	9.1	1.65			23	300	61.26	9.3	1.90			24	278	56.89	9.4	2.00	27	252			51.56	10	2.20	30	227			46.29	10	2.50	13	522			106.58	4.4	0.80	GR57 GRF57	4P	40	170	34.73	4.7	1.65	14	485	98.99	5.9	0.90	15	439			89.71	6.7	0.95	17	394			80.55	6.9	1.10	20	339			69.23	7.1	1.25	21	317			64.85	7.1	1.35	24	280			57.29	6.9	1.50	26	261			53.22	6.7	1.65	29	236			48.23	6.6	1.80	32	212			43.30	6.4	2.00	37	183			37.30	6.2	2.30	40	172			35.07	6.1	2.50	46	148	30.18	5.8	2.90	52	132	26.97	5.6	3.20	53	129	26.31	5.6	3.30	GR57 GRF57	4P	47	146	29.88	4.6	1.95	56	122	24.99	5.5	3.50	63	107			21.93	5.3	4.00	75	91			18.60	5.1	4.70	29	228			48.08	2.2	0.80	GR37	4P			52	131	26.70	4.4	2.20			31	212	44.81	4.0	0.85	GRF37	35	186		39.17	4.5	1.00	38	174	36.72		4.5	1.05	GR37 GRF37	4P	59	115	23.59	4.3	2.50	43	154	32.40	4.4	1.20	48	136			28.73	4.3	1.35	57	116			24.42	4.1	1.60	62	106			22.27	4.0	1.75	72	92			19.31	3.9	2.00	77	86			18.08	2.5	1.40	GR27 GRF27	4P	86	79	16.22	3.9	3.30	89	74	15.60	3.7	2.50	105	63			13.25	3.5	2.80	117	56			11.83	3.4	3.00	137	48			10.11	3.2	3.20	147	45			9.47	3.2	3.40	48	136			28.78	2.7	0.85	GR27	4P	62	106	22.32	2.6	1.10	57	116	24.47	2.7	1.00	GRF27	72	92		19.35	2.5	1.30	77	86	18.08		2.5	1.40	GR17 GRF17	4P	89	74	15.63	2.4	1.60	105	63	13.28	2.3	1.90	117	56			11.86	2.3	2.10	137	48			10.13	2.2	2.30	148	45			9.41	2.1	2.50	170	39			8.16	2.0	2.70	182	36			7.63	2.0	2.80	211	31			6.59	1.9	3.10	248	27			5.60	1.8	3.40	278	24			5.00	1.8	3.70	71	93			19.71	1.4	0.85	82	81			16.99	1.3	0.95	88	75	15.84	1.3	1.05	100	66	13.84	1.3	1.20	107	62	12.98	1.3	1.25	121	54	11.45	1.3	1.35	137	48	10.15	1.3	1.45	161	41	8.63	1.2	1.60	184	36	7.55	1.1	1.45	197	33	7.04	1.1	1.50	226	29	6.15	1.1	1.70	241	27	5.76	1.1	1.75	273	24	5.09	1.1	1.95	308	21	4.51	1.0	2.00	363	18	3.83	1.0	2.30																																																																																																																																																																																						
13	518	105.83	7.7	1.10	14	470			95.91	8.2	1.20	16	422			86.11	8.6	1.35	19	363			74.17	9.0	1.55			20	341	69.75	9.1	1.65			23	300	61.26	9.3	1.90			24	278	56.89	9.4	2.00			27	252	51.56	10	2.20	30	227			46.29	10	2.50	13	522			106.58	4.4	0.80	GR57 GRF57	4P	40	170	34.73	4.7	1.65			14	485	98.99	5.9	0.90	15	439	89.71	6.7	0.95	17	394			80.55	6.9	1.10	20	339			69.23	7.1	1.25	21	317			64.85	7.1	1.35	24	280			57.29	6.9	1.50	26	261			53.22	6.7	1.65	29	236			48.23	6.6	1.80	32	212			43.30	6.4	2.00	37	183			37.30	6.2	2.30	40	172			35.07	6.1	2.50	46	148	30.18	5.8	2.90	52	132	26.97	5.6	3.20	53	129	26.31	5.6	3.30	GR57 GRF57	4P	47	146	29.88	4.6	1.95			56	122	24.99	5.5	3.50	63	107	21.93	5.3	4.00	75	91			18.60	5.1	4.70	29	228			48.08	2.2	0.80	GR37	4P			52	131	26.70	4.4				2.20	31	212	44.81	4.0	0.85	GRF37	35	186	39.17	4.5	1.00	38	174	36.72		4.5	1.05	GR37 GRF37	4P	59	115	23.59	4.3	2.50			43	154	32.40	4.4	1.20	48	136	28.73	4.3	1.35	57	116			24.42	4.1	1.60	62	106			22.27	4.0	1.75	72	92			19.31	3.9	2.00	77	86			18.08	2.5	1.40	GR27 GRF27	4P	86	79	16.22	3.9	3.30			89	74	15.60	3.7	2.50	105	63	13.25	3.5	2.80	117	56			11.83	3.4	3.00	137	48			10.11	3.2	3.20	147	45			9.47	3.2	3.40	48	136			28.78	2.7	0.85	GR27	4P	62	106	22.32	2.6	1.10	57		116	24.47	2.7	1.00	GRF27	72	92	19.35	2.5	1.30	77	86	18.08		2.5	1.40	GR17 GRF17	4P	89	74	15.63	2.4	1.60			105	63	13.28	2.3	1.90	117	56	11.86	2.3	2.10	137	48			10.13	2.2	2.30	148	45			9.41	2.1	2.50	170	39			8.16	2.0	2.70	182	36			7.63	2.0	2.80	211	31			6.59	1.9	3.10	248	27			5.60	1.8	3.40	278	24			5.00	1.8	3.70	71	93			19.71	1.4	0.85	82	81			16.99	1.3	0.95	88	75	15.84	1.3	1.05	100	66	13.84	1.3	1.20	107	62	12.98	1.3	1.25	121	54	11.45	1.3	1.35	137	48	10.15	1.3	1.45	161	41	8.63	1.2	1.60	184	36	7.55	1.1	1.45	197	33	7.04	1.1	1.50	226	29	6.15	1.1	1.70	241	27	5.76	1.1	1.75	273	24	5.09	1.1	1.95	308	21	4.51	1.0	2.00	363	18	3.83	1.0	2.30																																																																																																																																																																																													
14	470	95.91	8.2	1.20	16	422			86.11	8.6	1.35	19	363			74.17	9.0	1.55	20	341			69.75	9.1	1.65			23	300	61.26	9.3	1.90			24	278	56.89	9.4	2.00			27	252	51.56	10	2.20			30	227	46.29	10	2.50	13	522			106.58	4.4	0.80	GR57 GRF57	4P	40	170	34.73	4.7	1.65			14	485	98.99	5.9	0.90			15	439	89.71	6.7	0.95	17	394	80.55	6.9	1.10	20	339			69.23	7.1	1.25	21	317			64.85	7.1	1.35	24	280			57.29	6.9	1.50	26	261			53.22	6.7	1.65	29	236			48.23	6.6	1.80	32	212			43.30	6.4	2.00	37	183			37.30	6.2	2.30	40	172			35.07	6.1	2.50	46	148	30.18	5.8	2.90	52	132	26.97	5.6	3.20	53	129	26.31	5.6	3.30	GR57 GRF57	4P	47	146	29.88	4.6	1.95			56	122	24.99	5.5	3.50			63	107	21.93	5.3	4.00	75	91	18.60	5.1	4.70	29	228			48.08	2.2	0.80	GR37	4P			52	131	26.70	4.4				2.20	31	212	44.81		4.0	0.85	GRF37	35	186	39.17	4.5	1.00	38	174	36.72	4.5	1.05	GR37 GRF37	4P	59	115	23.59	4.3	2.50			43	154	32.40	4.4	1.20			48	136	28.73	4.3	1.35	57	116	24.42	4.1	1.60	62	106			22.27	4.0	1.75	72	92			19.31	3.9	2.00	77	86			18.08	2.5	1.40	GR27 GRF27	4P	86	79	16.22	3.9	3.30			89	74	15.60	3.7	2.50			105	63	13.25	3.5	2.80	117	56	11.83	3.4	3.00	137	48			10.11	3.2	3.20	147	45			9.47	3.2	3.40	48	136			28.78	2.7	0.85	GR27	4P	62	106	22.32	2.6	1.10	57		116	24.47	2.7	1.00	GRF27	72		92	19.35	2.5	1.30	77	86	18.08	2.5	1.40	GR17 GRF17	4P	89	74	15.63	2.4	1.60			105	63	13.28	2.3	1.90			117	56	11.86	2.3	2.10	137	48	10.13	2.2	2.30	148	45			9.41	2.1	2.50	170	39			8.16	2.0	2.70	182	36			7.63	2.0	2.80	211	31			6.59	1.9	3.10	248	27			5.60	1.8	3.40	278	24			5.00	1.8	3.70	71	93			19.71	1.4	0.85	82	81			16.99	1.3	0.95	88	75	15.84	1.3	1.05	100	66	13.84	1.3	1.20	107	62	12.98	1.3	1.25	121	54	11.45	1.3	1.35	137	48	10.15	1.3	1.45	161	41	8.63	1.2	1.60	184	36	7.55	1.1	1.45	197	33	7.04	1.1	1.50	226	29	6.15	1.1	1.70	241	27	5.76	1.1	1.75	273	24	5.09	1.1	1.95	308	21	4.51	1.0	2.00	363	18	3.83	1.0	2.30																																																																																																																																																																																																				
16	422	86.11	8.6	1.35	19	363			74.17	9.0	1.55	20	341			69.75	9.1	1.65	23	300			61.26	9.3	1.90			24	278	56.89	9.4	2.00			27	252	51.56	10	2.20			30	227	46.29	10	2.50			13	522	106.58	4.4	0.80	GR57 GRF57	4P	40	170	34.73	4.7	1.65			14	485	98.99	5.9	0.90			15	439	89.71	6.7	0.95			17	394	80.55	6.9	1.10	20	339	69.23	7.1	1.25	21	317			64.85	7.1	1.35	24	280			57.29	6.9	1.50	26	261			53.22	6.7	1.65	29	236			48.23	6.6	1.80	32	212			43.30	6.4	2.00	37	183			37.30	6.2	2.30	40	172			35.07	6.1	2.50	46	148	30.18	5.8	2.90	52	132	26.97	5.6	3.20	53	129	26.31	5.6	3.30	GR57 GRF57	4P	47	146	29.88	4.6	1.95			56	122	24.99	5.5	3.50			63	107	21.93	5.3	4.00			75	91	18.60	5.1	4.70	29	228	48.08	2.2	0.80	GR37	4P			52	131	26.70	4.4				2.20	31	212	44.81		4.0	0.85	GRF37	35	186	39.17	4.5	1.00	38	174	36.72	4.5	1.05	GR37 GRF37	4P	59	115	23.59	4.3	2.50			43	154	32.40	4.4	1.20			48	136	28.73	4.3	1.35			57	116	24.42	4.1	1.60	62	106	22.27	4.0	1.75	72	92			19.31	3.9	2.00	77	86			18.08	2.5	1.40	GR27 GRF27	4P	86	79	16.22	3.9	3.30			89	74	15.60	3.7	2.50			105	63	13.25	3.5	2.80			117	56	11.83	3.4	3.00	137	48	10.11	3.2	3.20	147	45			9.47	3.2	3.40	48	136			28.78	2.7	0.85	GR27	4P	62	106	22.32	2.6	1.10	57		116	24.47	2.7	1.00	GRF27	72		92	19.35	2.5	1.30	77	86	18.08	2.5	1.40	GR17 GRF17	4P	89	74	15.63	2.4	1.60			105	63	13.28	2.3	1.90			117	56	11.86	2.3	2.10			137	48	10.13	2.2	2.30	148	45	9.41	2.1	2.50	170	39			8.16	2.0	2.70	182	36			7.63	2.0	2.80	211	31			6.59	1.9	3.10	248	27			5.60	1.8	3.40	278	24			5.00	1.8	3.70	71	93			19.71	1.4	0.85	82	81			16.99	1.3	0.95	88	75	15.84	1.3	1.05	100	66	13.84	1.3	1.20	107	62	12.98	1.3	1.25	121	54	11.45	1.3	1.35	137	48	10.15	1.3	1.45	161	41	8.63	1.2	1.60	184	36	7.55	1.1	1.45	197	33	7.04	1.1	1.50	226	29	6.15	1.1	1.70	241	27	5.76	1.1	1.75	273	24	5.09	1.1	1.95	308	21	4.51	1.0	2.00	363	18	3.83	1.0	2.30																																																																																																																																																																																																											
19	363	74.17	9.0	1.55	20	341			69.75	9.1	1.65	23	300			61.26	9.3	1.90	24	278			56.89	9.4	2.00			27	252	51.56	10	2.20			30	227	46.29	10	2.50			13	522	106.58	4.4	0.80	GR57 GRF57	4P	40	170	34.73	4.7	1.65			14	485	98.99	5.9	0.90			15	439	89.71	6.7	0.95			17	394	80.55	6.9	1.10			20	339	69.23	7.1	1.25	21	317	64.85	7.1	1.35	24	280			57.29	6.9	1.50	26	261			53.22	6.7	1.65	29	236			48.23	6.6	1.80	32	212			43.30	6.4	2.00	37	183			37.30	6.2	2.30	40	172			35.07	6.1	2.50	46	148	30.18	5.8	2.90	52	132	26.97	5.6	3.20	53	129	26.31	5.6	3.30	GR57 GRF57	4P	47	146	29.88	4.6	1.95			56	122	24.99	5.5	3.50			63	107	21.93	5.3	4.00			75	91	18.60	5.1	4.70			29	228	48.08	2.2	0.80	GR37	4P	52	131	26.70	4.4				2.20	31	212	44.81		4.0	0.85	GRF37	35	186	39.17	4.5	1.00	38	174	36.72	4.5	1.05	GR37 GRF37	4P	59	115	23.59	4.3	2.50			43	154	32.40	4.4	1.20			48	136	28.73	4.3	1.35			57	116	24.42	4.1	1.60			62	106	22.27	4.0	1.75	72	92	19.31	3.9	2.00	77	86			18.08	2.5	1.40	GR27 GRF27	4P	86	79	16.22	3.9	3.30			89	74	15.60	3.7	2.50			105	63	13.25	3.5	2.80			117	56	11.83	3.4	3.00			137	48	10.11	3.2	3.20	147	45	9.47	3.2	3.40	48	136			28.78	2.7	0.85	GR27	4P	62	106	22.32	2.6	1.10	57		116	24.47	2.7	1.00	GRF27	72		92	19.35	2.5	1.30	77	86	18.08	2.5	1.40	GR17 GRF17	4P	89	74	15.63	2.4	1.60			105	63	13.28	2.3	1.90			117	56	11.86	2.3	2.10			137	48	10.13	2.2	2.30			148	45	9.41	2.1	2.50	170	39	8.16	2.0	2.70	182	36			7.63	2.0	2.80	211	31			6.59	1.9	3.10	248	27			5.60	1.8	3.40	278	24			5.00	1.8	3.70	71	93			19.71	1.4	0.85	82	81			16.99	1.3	0.95	88	75	15.84	1.3	1.05	100	66	13.84	1.3	1.20	107	62	12.98	1.3	1.25	121	54	11.45	1.3	1.35	137	48	10.15	1.3	1.45	161	41	8.63	1.2	1.60	184	36	7.55	1.1	1.45	197	33	7.04	1.1	1.50	226	29	6.15	1.1	1.70	241	27	5.76	1.1	1.75	273	24	5.09	1.1	1.95	308	21	4.51	1.0	2.00	363	18	3.83	1.0	2.30																																																																																																																																																																																																																		
20	341	69.75	9.1	1.65	23	300			61.26	9.3	1.90	24	278			56.89	9.4	2.00	27	252			51.56	10	2.20			30	227	46.29	10	2.50			13	522	106.58	4.4	0.80	GR57 GRF57	4P	40	170	34.73	4.7	1.65			14	485	98.99	5.9	0.90			15	439	89.71	6.7	0.95			17	394	80.55	6.9	1.10			20	339	69.23	7.1	1.25			21	317	64.85	7.1	1.35	24	280	57.29	6.9	1.50	26	261			53.22	6.7	1.65	29	236			48.23	6.6	1.80	32	212			43.30	6.4	2.00	37	183			37.30	6.2	2.30	40	172			35.07	6.1	2.50	46	148	30.18	5.8	2.90	52	132	26.97	5.6	3.20	53	129	26.31	5.6	3.30	GR57 GRF57	4P	47	146	29.88	4.6	1.95			56	122	24.99	5.5	3.50			63	107	21.93	5.3	4.00			75	91	18.60	5.1	4.70			29	228	48.08	2.2	0.80			GR37	4P	52	131	26.70	4.4		2.20	31	212	44.81		4.0	0.85	GRF37	35	186	39.17	4.5	1.00	38	174	36.72	4.5	1.05	GR37 GRF37	4P	59	115	23.59	4.3	2.50			43	154	32.40	4.4	1.20			48	136	28.73	4.3	1.35			57	116	24.42	4.1	1.60			62	106	22.27	4.0	1.75			72	92	19.31	3.9	2.00	77	86	18.08	2.5	1.40	GR27 GRF27	4P	86	79	16.22	3.9	3.30			89	74	15.60	3.7	2.50			105	63	13.25	3.5	2.80			117	56	11.83	3.4	3.00			137	48	10.11	3.2	3.20			147	45	9.47	3.2	3.40	48	136	28.78	2.7	0.85	GR27	4P	62	106	22.32	2.6	1.10	57		116	24.47	2.7	1.00	GRF27	72		92	19.35	2.5	1.30	77	86	18.08	2.5	1.40	GR17 GRF17	4P	89	74	15.63	2.4	1.60			105	63	13.28	2.3	1.90			117	56	11.86	2.3	2.10			137	48	10.13	2.2	2.30			148	45	9.41	2.1	2.50			170	39	8.16	2.0	2.70	182	36	7.63	2.0	2.80	211	31			6.59	1.9	3.10	248	27			5.60	1.8	3.40	278	24			5.00	1.8	3.70	71	93			19.71	1.4	0.85	82	81			16.99	1.3	0.95	88	75	15.84	1.3	1.05	100	66	13.84	1.3	1.20	107	62	12.98	1.3	1.25	121	54	11.45	1.3	1.35	137	48	10.15	1.3	1.45	161	41	8.63	1.2	1.60	184	36	7.55	1.1	1.45	197	33	7.04	1.1	1.50	226	29	6.15	1.1	1.70	241	27	5.76	1.1	1.75	273	24	5.09	1.1	1.95	308	21	4.51	1.0	2.00	363	18	3.83	1.0	2.30																																																																																																																																																																																																																									
23	300	61.26	9.3	1.90	24	278			56.89	9.4	2.00	27	252			51.56	10	2.20	30	227			46.29	10	2.50			13	522	106.58	4.4	0.80	GR57 GRF57	4P	40	170	34.73	4.7	1.65			14	485	98.99	5.9	0.90			15	439	89.71	6.7	0.95			17	394	80.55	6.9	1.10			20	339	69.23	7.1	1.25			21	317	64.85	7.1	1.35			24	280	57.29	6.9	1.50	26	261	53.22	6.7	1.65	29	236			48.23	6.6	1.80	32	212			43.30	6.4	2.00	37	183			37.30	6.2	2.30	40	172			35.07	6.1	2.50	46	148	30.18	5.8	2.90	52	132	26.97	5.6	3.20	53	129	26.31	5.6	3.30	GR57 GRF57	4P	47	146	29.88	4.6	1.95			56	122	24.99	5.5	3.50			63	107	21.93	5.3	4.00			75	91	18.60	5.1	4.70			29	228	48.08	2.2	0.80			GR37	4P	52	131	26.70	4.4	2.20	31		212	44.81	4.0	0.85		GRF37	35	186	39.17	4.5	1.00	38	174	36.72	4.5	1.05	GR37 GRF37	4P	59	115	23.59	4.3	2.50			43	154	32.40	4.4	1.20			48	136	28.73	4.3	1.35			57	116	24.42	4.1	1.60			62	106	22.27	4.0	1.75			72	92	19.31	3.9	2.00	77	86	18.08	2.5	1.40	GR27 GRF27	4P	86	79	16.22	3.9	3.30			89	74	15.60	3.7	2.50			105	63	13.25	3.5	2.80			117	56	11.83	3.4	3.00			137	48	10.11	3.2	3.20			147	45	9.47	3.2	3.40	48	136	28.78	2.7	0.85	GR27	4P	62	106	22.32	2.6	1.10	57		116	24.47	2.7	1.00	GRF27	72		92	19.35	2.5	1.30	77	86	18.08	2.5	1.40	GR17 GRF17	4P	89	74	15.63	2.4	1.60			105	63	13.28	2.3	1.90			117	56	11.86	2.3	2.10			137	48	10.13	2.2	2.30			148	45	9.41	2.1	2.50			170	39	8.16	2.0	2.70			182	36	7.63	2.0	2.80	211	31	6.59	1.9	3.10	248	27			5.60	1.8	3.40	278	24			5.00	1.8	3.70	71	93			19.71	1.4	0.85	82	81			16.99	1.3	0.95	88	75	15.84	1.3	1.05	100	66	13.84	1.3	1.20	107	62	12.98	1.3	1.25	121	54	11.45	1.3	1.35	137	48	10.15	1.3	1.45	161	41	8.63	1.2	1.60	184	36	7.55	1.1	1.45	197	33	7.04	1.1	1.50	226	29	6.15	1.1	1.70	241	27	5.76	1.1	1.75	273	24	5.09	1.1	1.95	308	21	4.51	1.0	2.00	363	18	3.83	1.0	2.30																																																																																																																																																																																																																																
24	278	56.89	9.4	2.00	27	252			51.56	10	2.20	30	227			46.29	10	2.50	13	522			106.58	4.4	0.80	GR57 GRF57	4P	40	170	34.73	4.7	1.65			14	485	98.99	5.9	0.90			15	439	89.71	6.7	0.95			17	394	80.55	6.9	1.10			20	339	69.23	7.1	1.25			21	317	64.85	7.1	1.35			24	280	57.29	6.9	1.50			26	261	53.22	6.7	1.65	29	236	48.23	6.6	1.80	32	212			43.30	6.4	2.00	37	183			37.30	6.2	2.30	40	172			35.07	6.1	2.50	46	148	30.18	5.8	2.90	52	132	26.97	5.6	3.20	53	129	26.31	5.6	3.30	GR57 GRF57	4P	47	146	29.88	4.6	1.95			56	122	24.99	5.5	3.50			63	107	21.93	5.3	4.00			75	91	18.60	5.1	4.70			29	228	48.08	2.2	0.80			GR37	4P	52	131	26.70	4.4	2.20	31		212	44.81	4.0	0.85	GRF37	35		186	39.17	4.5	1.00	38	174	36.72	4.5	1.05	GR37 GRF37	4P	59	115	23.59	4.3	2.50			43	154	32.40	4.4	1.20			48	136	28.73	4.3	1.35			57	116	24.42	4.1	1.60			62	106	22.27	4.0	1.75			72	92	19.31	3.9	2.00	77	86	18.08	2.5	1.40	GR27 GRF27	4P	86	79	16.22	3.9	3.30			89	74	15.60	3.7	2.50			105	63	13.25	3.5	2.80			117	56	11.83	3.4	3.00			137	48	10.11	3.2	3.20			147	45	9.47	3.2	3.40	48	136	28.78	2.7	0.85	GR27	4P	62	106	22.32	2.6	1.10	57		116	24.47	2.7	1.00	GRF27	72		92	19.35	2.5	1.30	77	86	18.08	2.5	1.40	GR17 GRF17	4P	89	74	15.63	2.4	1.60			105	63	13.28	2.3	1.90			117	56	11.86	2.3	2.10			137	48	10.13	2.2	2.30			148	45	9.41	2.1	2.50			170	39	8.16	2.0	2.70			182	36	7.63	2.0	2.80			211	31	6.59	1.9	3.10	248	27	5.60	1.8	3.40	278	24			5.00	1.8	3.70	71	93			19.71	1.4	0.85	82	81			16.99	1.3	0.95	88	75	15.84	1.3	1.05	100	66	13.84	1.3	1.20	107	62	12.98	1.3	1.25	121	54	11.45	1.3	1.35	137	48	10.15	1.3	1.45	161	41	8.63	1.2	1.60	184	36	7.55	1.1	1.45	197	33	7.04	1.1	1.50	226	29	6.15	1.1	1.70	241	27	5.76	1.1	1.75	273	24	5.09	1.1	1.95	308	21	4.51	1.0	2.00	363	18	3.83	1.0	2.30																																																																																																																																																																																																																																							
27	252	51.56	10	2.20	30	227			46.29	10	2.50	13	522			106.58	4.4	0.80	GR57 GRF57	4P	40	170	34.73	4.7	1.65			14	485	98.99	5.9	0.90			15	439	89.71	6.7	0.95			17	394	80.55	6.9	1.10			20	339	69.23	7.1	1.25			21	317	64.85	7.1	1.35			24	280	57.29	6.9	1.50			26	261	53.22	6.7	1.65			29	236	48.23	6.6	1.80	32	212	43.30	6.4	2.00	37	183			37.30	6.2	2.30	40	172			35.07	6.1	2.50	46	148	30.18	5.8	2.90	52	132	26.97	5.6	3.20	53	129	26.31	5.6	3.30	GR57 GRF57	4P	47	146	29.88	4.6	1.95			56	122	24.99	5.5	3.50			63	107	21.93	5.3	4.00			75	91	18.60	5.1	4.70			29	228	48.08	2.2	0.80			GR37	4P	52	131	26.70	4.4	2.20	31		212	44.81	4.0	0.85	GRF37	35		186	39.17	4.5	1.00	38	174	36.72	4.5	1.05	GR37 GRF37	4P	59	115	23.59	4.3	2.50			43	154	32.40	4.4	1.20			48	136	28.73	4.3	1.35			57	116	24.42	4.1	1.60			62	106	22.27	4.0	1.75			72	92	19.31	3.9	2.00	77	86	18.08	2.5	1.40	GR27 GRF27	4P	86	79	16.22	3.9	3.30			89	74	15.60	3.7	2.50			105	63	13.25	3.5	2.80			117	56	11.83	3.4	3.00			137	48	10.11	3.2	3.20			147	45	9.47	3.2	3.40	48	136	28.78	2.7	0.85	GR27	4P	62	106	22.32	2.6	1.10	57		116	24.47	2.7	1.00	GRF27	72		92	19.35	2.5	1.30	77	86	18.08	2.5	1.40	GR17 GRF17	4P	89	74	15.63	2.4	1.60			105	63	13.28	2.3	1.90			117	56	11.86	2.3	2.10			137	48	10.13	2.2	2.30			148	45	9.41	2.1	2.50			170	39	8.16	2.0	2.70			182	36	7.63	2.0	2.80			211	31	6.59	1.9	3.10			248	27	5.60	1.8	3.40	278	24	5.00	1.8	3.70	71	93			19.71	1.4	0.85	82	81			16.99	1.3	0.95	88	75	15.84	1.3	1.05	100	66	13.84	1.3	1.20	107	62	12.98	1.3	1.25	121	54	11.45	1.3	1.35	137	48	10.15	1.3	1.45	161	41	8.63	1.2	1.60	184	36	7.55	1.1	1.45	197	33	7.04	1.1	1.50	226	29	6.15	1.1	1.70	241	27	5.76	1.1	1.75	273	24	5.09	1.1	1.95	308	21	4.51	1.0	2.00	363	18	3.83	1.0	2.30																																																																																																																																																																																																																																														
30	227	46.29	10	2.50	13	522			106.58	4.4	0.80	GR57 GRF57	4P	40	170	34.73	4.7	1.65			14	485	98.99	5.9	0.90			15	439	89.71	6.7	0.95			17	394	80.55	6.9	1.10			20	339	69.23	7.1	1.25			21	317	64.85	7.1	1.35			24	280	57.29	6.9	1.50			26	261	53.22	6.7	1.65			29	236	48.23	6.6	1.80			32	212	43.30	6.4	2.00	37	183	37.30	6.2	2.30	40	172			35.07	6.1	2.50	46	148	30.18	5.8	2.90	52	132	26.97	5.6	3.20	53	129	26.31	5.6	3.30	GR57 GRF57	4P	47	146	29.88	4.6	1.95			56	122	24.99	5.5	3.50			63	107	21.93	5.3	4.00			75	91	18.60	5.1	4.70			29	228	48.08	2.2	0.80			GR37	4P	52	131	26.70	4.4	2.20	31		212	44.81	4.0	0.85	GRF37	35		186	39.17	4.5	1.00	38	174	36.72	4.5	1.05	GR37 GRF37	4P	59	115	23.59	4.3	2.50			43	154	32.40	4.4	1.20			48	136	28.73	4.3	1.35			57	116	24.42	4.1	1.60			62	106	22.27	4.0	1.75			72	92	19.31	3.9	2.00	77	86	18.08	2.5	1.40	GR27 GRF27	4P	86	79	16.22	3.9	3.30			89	74	15.60	3.7	2.50			105	63	13.25	3.5	2.80			117	56	11.83	3.4	3.00			137	48	10.11	3.2	3.20			147	45	9.47	3.2	3.40	48	136	28.78	2.7	0.85	GR27	4P	62	106	22.32	2.6	1.10	57		116	24.47	2.7	1.00	GRF27	72		92	19.35	2.5	1.30	77	86	18.08	2.5	1.40	GR17 GRF17	4P	89	74	15.63	2.4	1.60			105	63	13.28	2.3	1.90			117	56	11.86	2.3	2.10			137	48	10.13	2.2	2.30			148	45	9.41	2.1	2.50			170	39	8.16	2.0	2.70			182	36	7.63	2.0	2.80			211	31	6.59	1.9	3.10			248	27	5.60	1.8	3.40			278	24	5.00	1.8	3.70	71	93	19.71	1.4	0.85	82	81			16.99	1.3	0.95	88	75	15.84	1.3	1.05	100	66	13.84	1.3	1.20	107	62	12.98	1.3	1.25	121	54	11.45	1.3	1.35	137	48	10.15	1.3	1.45	161	41	8.63	1.2	1.60	184	36	7.55	1.1	1.45	197	33	7.04	1.1	1.50	226	29	6.15	1.1	1.70	241	27	5.76	1.1	1.75	273	24	5.09	1.1	1.95	308	21	4.51	1.0	2.00	363	18	3.83	1.0	2.30																																																																																																																																																																																																																																																					
13	522	106.58	4.4	0.80	GR57 GRF57	4P	40	170	34.73	4.7	1.65			14	485	98.99	5.9	0.90			15	439	89.71	6.7	0.95			17	394	80.55	6.9	1.10			20	339	69.23	7.1	1.25			21	317	64.85	7.1	1.35			24	280	57.29	6.9	1.50			26	261	53.22	6.7	1.65			29	236	48.23	6.6	1.80			32	212	43.30	6.4	2.00			37	183	37.30	6.2	2.30	40	172	35.07	6.1	2.50	46	148	30.18	5.8	2.90	52	132	26.97	5.6	3.20	53	129	26.31	5.6	3.30	GR57 GRF57	4P	47	146	29.88	4.6	1.95			56	122	24.99	5.5	3.50			63	107	21.93	5.3	4.00			75	91	18.60	5.1	4.70			29	228	48.08	2.2	0.80			GR37	4P	52	131	26.70	4.4	2.20	31		212	44.81	4.0	0.85	GRF37	35		186	39.17	4.5	1.00	38	174	36.72	4.5	1.05	GR37 GRF37	4P	59	115	23.59	4.3	2.50			43	154	32.40	4.4	1.20			48	136	28.73	4.3	1.35			57	116	24.42	4.1	1.60			62	106	22.27	4.0	1.75			72	92	19.31	3.9	2.00	77	86	18.08	2.5	1.40	GR27 GRF27	4P	86	79	16.22	3.9	3.30			89	74	15.60	3.7	2.50			105	63	13.25	3.5	2.80			117	56	11.83	3.4	3.00			137	48	10.11	3.2	3.20			147	45	9.47	3.2	3.40	48	136	28.78	2.7	0.85	GR27	4P	62	106	22.32	2.6	1.10	57		116	24.47	2.7	1.00	GRF27	72		92	19.35	2.5	1.30	77	86	18.08	2.5	1.40	GR17 GRF17	4P	89	74	15.63	2.4	1.60			105	63	13.28	2.3	1.90			117	56	11.86	2.3	2.10			137	48	10.13	2.2	2.30			148	45	9.41	2.1	2.50			170	39	8.16	2.0	2.70			182	36	7.63	2.0	2.80			211	31	6.59	1.9	3.10			248	27	5.60	1.8	3.40			278	24	5.00	1.8	3.70			71	93	19.71	1.4	0.85	82	81	16.99	1.3	0.95	88	75	15.84	1.3	1.05	100	66	13.84	1.3	1.20	107	62	12.98	1.3	1.25	121	54	11.45	1.3	1.35	137	48	10.15	1.3	1.45	161	41	8.63	1.2	1.60	184	36	7.55	1.1	1.45	197	33	7.04	1.1	1.50	226	29	6.15	1.1	1.70	241	27	5.76	1.1	1.75	273	24	5.09	1.1	1.95	308	21	4.51	1.0	2.00	363	18	3.83	1.0	2.30																																																																																																																																																																																																																																																												
14	485	98.99	5.9	0.90			15	439	89.71	6.7	0.95			17	394	80.55	6.9	1.10			20	339	69.23	7.1	1.25			21	317	64.85	7.1	1.35			24	280	57.29	6.9	1.50			26	261	53.22	6.7	1.65			29	236	48.23	6.6	1.80			32	212	43.30	6.4	2.00			37	183	37.30	6.2	2.30			40	172	35.07	6.1	2.50	46	148	30.18	5.8	2.90	52	132	26.97	5.6	3.20	53	129	26.31	5.6	3.30	GR57 GRF57	4P	47	146	29.88	4.6	1.95	56	122	24.99	5.5	3.50			63	107	21.93	5.3	4.00			75	91	18.60	5.1	4.70			29	228	48.08	2.2	0.80			GR37	4P	52	131	26.70			4.4	2.20	31	212	44.81	4.0	0.85	GRF37		35	186	39.17	4.5	1.00	38		174	36.72	4.5	1.05	GR37 GRF37	4P	59	115	23.59	4.3	2.50	43	154	32.40	4.4	1.20			48	136	28.73	4.3	1.35			57	116	24.42	4.1	1.60			62	106	22.27	4.0	1.75			72	92	19.31	3.9	2.00			77	86	18.08	2.5	1.40	GR27 GRF27	4P	86	79	16.22	3.9	3.30	89	74	15.60	3.7	2.50			105	63	13.25	3.5	2.80			117	56	11.83	3.4	3.00			137	48	10.11	3.2	3.20			147	45	9.47	3.2	3.40			48	136	28.78	2.7	0.85	GR27	4P	62	106	22.32	2.6	1.10	57	116	24.47	2.7	1.00	GRF27		72	92	19.35	2.5	1.30	77		86	18.08	2.5	1.40	GR17 GRF17	4P	89	74	15.63	2.4	1.60	105	63	13.28	2.3	1.90			117	56	11.86	2.3	2.10			137	48	10.13	2.2	2.30			148	45	9.41	2.1	2.50			170	39	8.16	2.0	2.70			182	36	7.63	2.0	2.80			211	31	6.59	1.9	3.10			248	27	5.60	1.8	3.40			278	24	5.00	1.8	3.70			71	93	19.71	1.4	0.85			82	81	16.99	1.3	0.95	88	75	15.84	1.3	1.05	100	66	13.84	1.3	1.20	107	62	12.98	1.3	1.25	121	54	11.45	1.3	1.35	137	48	10.15	1.3	1.45	161	41	8.63	1.2	1.60	184	36	7.55	1.1	1.45	197	33	7.04	1.1	1.50	226	29	6.15	1.1	1.70	241	27	5.76	1.1	1.75	273	24	5.09	1.1	1.95	308	21	4.51	1.0	2.00	363	18	3.83	1.0	2.30																																																																																																																																																																																																																																																																								
15	439	89.71	6.7	0.95			17	394	80.55	6.9	1.10			20	339	69.23	7.1	1.25			21	317	64.85	7.1	1.35			24	280	57.29	6.9	1.50			26	261	53.22	6.7	1.65			29	236	48.23	6.6	1.80			32	212	43.30	6.4	2.00			37	183	37.30	6.2	2.30			40	172	35.07	6.1	2.50	46	148	30.18	5.8	2.90	52	132	26.97	5.6	3.20	53	129	26.31	5.6	3.30	GR57 GRF57	4P	47	146	29.88	4.6	1.95			56	122	24.99	5.5	3.50	63	107	21.93	5.3	4.00			75	91	18.60	5.1	4.70			29	228	48.08	2.2	0.80			GR37	4P	52	131	26.70			4.4		2.20	31	212	44.81	4.0	0.85	GRF37	35	186	39.17	4.5	1.00	38		174	36.72	4.5	1.05	GR37 GRF37	4P	59	115	23.59	4.3	2.50			43	154	32.40	4.4	1.20	48	136	28.73	4.3	1.35			57	116	24.42	4.1	1.60			62	106	22.27	4.0	1.75			72	92	19.31	3.9	2.00			77	86	18.08	2.5	1.40	GR27 GRF27	4P	86	79	16.22	3.9	3.30			89	74	15.60	3.7	2.50	105	63	13.25	3.5	2.80			117	56	11.83	3.4	3.00			137	48	10.11	3.2	3.20			147	45	9.47	3.2	3.40			48	136	28.78	2.7	0.85	GR27	4P	62	106	22.32	2.6	1.10	57		116	24.47	2.7	1.00	GRF27	72	92	19.35	2.5	1.30	77		86	18.08	2.5	1.40	GR17 GRF17	4P	89	74	15.63	2.4	1.60			105	63	13.28	2.3	1.90	117	56	11.86	2.3	2.10			137	48	10.13	2.2	2.30			148	45	9.41	2.1	2.50			170	39	8.16	2.0	2.70			182	36	7.63	2.0	2.80			211	31	6.59	1.9	3.10			248	27	5.60	1.8	3.40			278	24	5.00	1.8	3.70			71	93	19.71	1.4	0.85			82	81	16.99	1.3	0.95	88	75	15.84	1.3	1.05	100	66	13.84	1.3	1.20	107	62	12.98	1.3	1.25	121	54	11.45	1.3	1.35	137	48	10.15	1.3	1.45	161	41	8.63	1.2	1.60	184	36	7.55	1.1	1.45	197	33	7.04	1.1	1.50	226	29	6.15	1.1	1.70	241	27	5.76	1.1	1.75	273	24	5.09	1.1	1.95	308	21	4.51	1.0	2.00	363	18	3.83	1.0	2.30																																																																																																																																																																																																																																																																															
17	394	80.55	6.9	1.10			20	339	69.23	7.1	1.25			21	317	64.85	7.1	1.35			24	280	57.29	6.9	1.50			26	261	53.22	6.7	1.65			29	236	48.23	6.6	1.80			32	212	43.30	6.4	2.00			37	183	37.30	6.2	2.30			40	172	35.07	6.1	2.50	46	148	30.18	5.8	2.90	52	132	26.97	5.6	3.20	53	129	26.31	5.6	3.30	GR57 GRF57	4P	47	146	29.88	4.6	1.95			56	122	24.99	5.5	3.50			63	107	21.93	5.3	4.00	75	91	18.60	5.1	4.70			29	228	48.08	2.2	0.80			GR37	4P	52	131	26.70			4.4		2.20	31	212	44.81	4.0	0.85		GRF37	35	186	39.17	4.5	1.00	38	174	36.72	4.5	1.05	GR37 GRF37	4P	59	115	23.59	4.3	2.50			43	154	32.40	4.4	1.20			48	136	28.73	4.3	1.35	57	116	24.42	4.1	1.60			62	106	22.27	4.0	1.75			72	92	19.31	3.9	2.00			77	86	18.08	2.5	1.40	GR27 GRF27	4P	86	79	16.22	3.9	3.30			89	74	15.60	3.7	2.50			105	63	13.25	3.5	2.80	117	56	11.83	3.4	3.00			137	48	10.11	3.2	3.20			147	45	9.47	3.2	3.40			48	136	28.78	2.7	0.85	GR27	4P	62	106	22.32	2.6	1.10	57		116	24.47	2.7	1.00	GRF27	72		92	19.35	2.5	1.30	77	86	18.08	2.5	1.40	GR17 GRF17	4P	89	74	15.63	2.4	1.60			105	63	13.28	2.3	1.90			117	56	11.86	2.3	2.10	137	48	10.13	2.2	2.30			148	45	9.41	2.1	2.50			170	39	8.16	2.0	2.70			182	36	7.63	2.0	2.80			211	31	6.59	1.9	3.10			248	27	5.60	1.8	3.40			278	24	5.00	1.8	3.70			71	93	19.71	1.4	0.85			82	81	16.99	1.3	0.95	88	75	15.84	1.3	1.05	100	66	13.84	1.3	1.20	107	62	12.98	1.3	1.25	121	54	11.45	1.3	1.35	137	48	10.15	1.3	1.45	161	41	8.63	1.2	1.60	184	36	7.55	1.1	1.45	197	33	7.04	1.1	1.50	226	29	6.15	1.1	1.70	241	27	5.76	1.1	1.75	273	24	5.09	1.1	1.95	308	21	4.51	1.0	2.00	363	18	3.83	1.0	2.30																																																																																																																																																																																																																																																																																						
20	339	69.23	7.1	1.25			21	317	64.85	7.1	1.35			24	280	57.29	6.9	1.50			26	261	53.22	6.7	1.65			29	236	48.23	6.6	1.80			32	212	43.30	6.4	2.00			37	183	37.30	6.2	2.30			40	172	35.07	6.1	2.50	46	148	30.18	5.8	2.90	52	132	26.97	5.6	3.20	53	129	26.31	5.6	3.30	GR57 GRF57	4P	47	146	29.88	4.6	1.95			56	122	24.99	5.5	3.50			63	107	21.93	5.3	4.00			75	91	18.60	5.1	4.70	29	228	48.08	2.2	0.80			GR37	4P	52	131	26.70			4.4		2.20	31	212	44.81	4.0	0.85		GRF37	35	186	39.17	4.5	1.00	38	174	36.72	4.5	1.05	GR37 GRF37	4P	59	115	23.59	4.3	2.50			43	154	32.40	4.4	1.20			48	136	28.73	4.3	1.35			57	116	24.42	4.1	1.60	62	106	22.27	4.0	1.75			72	92	19.31	3.9	2.00			77	86	18.08	2.5	1.40	GR27 GRF27	4P	86	79	16.22	3.9	3.30			89	74	15.60	3.7	2.50			105	63	13.25	3.5	2.80			117	56	11.83	3.4	3.00	137	48	10.11	3.2	3.20			147	45	9.47	3.2	3.40			48	136	28.78	2.7	0.85	GR27	4P	62	106	22.32	2.6	1.10	57		116	24.47	2.7	1.00	GRF27	72		92	19.35	2.5	1.30	77	86	18.08	2.5	1.40	GR17 GRF17	4P	89	74	15.63	2.4	1.60			105	63	13.28	2.3	1.90			117	56	11.86	2.3	2.10			137	48	10.13	2.2	2.30	148	45	9.41	2.1	2.50			170	39	8.16	2.0	2.70			182	36	7.63	2.0	2.80			211	31	6.59	1.9	3.10			248	27	5.60	1.8	3.40			278	24	5.00	1.8	3.70			71	93	19.71	1.4	0.85			82	81	16.99	1.3	0.95	88	75	15.84	1.3	1.05	100	66	13.84	1.3	1.20	107	62	12.98	1.3	1.25	121	54	11.45	1.3	1.35	137	48	10.15	1.3	1.45	161	41	8.63	1.2	1.60	184	36	7.55	1.1	1.45	197	33	7.04	1.1	1.50	226	29	6.15	1.1	1.70	241	27	5.76	1.1	1.75	273	24	5.09	1.1	1.95	308	21	4.51	1.0	2.00	363	18	3.83	1.0	2.30																																																																																																																																																																																																																																																																																													
21	317	64.85	7.1	1.35			24	280	57.29	6.9	1.50			26	261	53.22	6.7	1.65			29	236	48.23	6.6	1.80			32	212	43.30	6.4	2.00			37	183	37.30	6.2	2.30			40	172	35.07	6.1	2.50	46	148	30.18	5.8	2.90	52	132	26.97	5.6	3.20	53	129	26.31	5.6	3.30	GR57 GRF57	4P	47	146	29.88	4.6	1.95			56	122	24.99	5.5	3.50			63	107	21.93	5.3	4.00			75	91	18.60	5.1	4.70			29	228	48.08	2.2	0.80	GR37	4P	52	131	26.70			4.4		2.20	31	212	44.81	4.0	0.85		GRF37	35	186	39.17	4.5	1.00	38	174	36.72	4.5	1.05	GR37 GRF37	4P	59	115	23.59	4.3	2.50			43	154	32.40	4.4	1.20			48	136	28.73	4.3	1.35			57	116	24.42	4.1	1.60			62	106	22.27	4.0	1.75	72	92	19.31	3.9	2.00			77	86	18.08	2.5	1.40	GR27 GRF27	4P	86	79	16.22	3.9	3.30			89	74	15.60	3.7	2.50			105	63	13.25	3.5	2.80			117	56	11.83	3.4	3.00			137	48	10.11	3.2	3.20	147	45	9.47	3.2	3.40			48	136	28.78	2.7	0.85	GR27	4P	62	106	22.32	2.6	1.10	57		116	24.47	2.7	1.00	GRF27	72		92	19.35	2.5	1.30	77	86	18.08	2.5	1.40	GR17 GRF17	4P	89	74	15.63	2.4	1.60			105	63	13.28	2.3	1.90			117	56	11.86	2.3	2.10			137	48	10.13	2.2	2.30			148	45	9.41	2.1	2.50	170	39	8.16	2.0	2.70			182	36	7.63	2.0	2.80			211	31	6.59	1.9	3.10			248	27	5.60	1.8	3.40			278	24	5.00	1.8	3.70			71	93	19.71	1.4	0.85			82	81	16.99	1.3	0.95	88	75	15.84	1.3	1.05	100	66	13.84	1.3	1.20	107	62	12.98	1.3	1.25	121	54	11.45	1.3	1.35	137	48	10.15	1.3	1.45	161	41	8.63	1.2	1.60	184	36	7.55	1.1	1.45	197	33	7.04	1.1	1.50	226	29	6.15	1.1	1.70	241	27	5.76	1.1	1.75	273	24	5.09	1.1	1.95	308	21	4.51	1.0	2.00	363	18	3.83	1.0	2.30																																																																																																																																																																																																																																																																																																				
24	280	57.29	6.9	1.50			26	261	53.22	6.7	1.65			29	236	48.23	6.6	1.80			32	212	43.30	6.4	2.00			37	183	37.30	6.2	2.30			40	172	35.07	6.1	2.50	46	148	30.18	5.8	2.90	52	132	26.97	5.6	3.20	53	129	26.31	5.6	3.30	GR57 GRF57	4P	47	146	29.88	4.6	1.95			56	122	24.99	5.5	3.50			63	107	21.93	5.3	4.00			75	91	18.60	5.1	4.70			29	228	48.08	2.2	0.80			GR37	4P	52	131	26.70	4.4		2.20	31	212	44.81	4.0	0.85		GRF37	35	186	39.17	4.5	1.00	38	174	36.72	4.5	1.05	GR37 GRF37	4P	59	115	23.59	4.3	2.50			43	154	32.40	4.4	1.20			48	136	28.73	4.3	1.35			57	116	24.42	4.1	1.60			62	106	22.27	4.0	1.75			72	92	19.31	3.9	2.00	77	86	18.08	2.5	1.40	GR27 GRF27	4P	86	79	16.22	3.9	3.30			89	74	15.60	3.7	2.50			105	63	13.25	3.5	2.80			117	56	11.83	3.4	3.00			137	48	10.11	3.2	3.20			147	45	9.47	3.2	3.40	48	136	28.78	2.7	0.85	GR27	4P	62	106	22.32	2.6	1.10	57		116	24.47	2.7	1.00	GRF27	72		92	19.35	2.5	1.30	77	86	18.08	2.5	1.40	GR17 GRF17	4P	89	74	15.63	2.4	1.60			105	63	13.28	2.3	1.90			117	56	11.86	2.3	2.10			137	48	10.13	2.2	2.30			148	45	9.41	2.1	2.50			170	39	8.16	2.0	2.70	182	36	7.63	2.0	2.80			211	31	6.59	1.9	3.10			248	27	5.60	1.8	3.40			278	24	5.00	1.8	3.70			71	93	19.71	1.4	0.85			82	81	16.99	1.3	0.95	88	75	15.84	1.3	1.05	100	66	13.84	1.3	1.20	107	62	12.98	1.3	1.25	121	54	11.45	1.3	1.35	137	48	10.15	1.3	1.45	161	41	8.63	1.2	1.60	184	36	7.55	1.1	1.45	197	33	7.04	1.1	1.50	226	29	6.15	1.1	1.70	241	27	5.76	1.1	1.75	273	24	5.09	1.1	1.95	308	21	4.51	1.0	2.00	363	18	3.83	1.0	2.30																																																																																																																																																																																																																																																																																																											
26	261	53.22	6.7	1.65			29	236	48.23	6.6	1.80			32	212	43.30	6.4	2.00			37	183	37.30	6.2	2.30			40	172	35.07	6.1	2.50	46	148	30.18	5.8	2.90	52	132	26.97	5.6	3.20	53	129	26.31	5.6	3.30	GR57 GRF57	4P	47	146	29.88	4.6	1.95			56	122	24.99	5.5	3.50			63	107	21.93	5.3	4.00			75	91	18.60	5.1	4.70			29	228	48.08	2.2	0.80			GR37	4P	52	131	26.70	4.4	2.20	31		212	44.81	4.0	0.85		GRF37	35	186	39.17	4.5	1.00	38	174	36.72	4.5	1.05	GR37 GRF37	4P	59	115	23.59	4.3	2.50			43	154	32.40	4.4	1.20			48	136	28.73	4.3	1.35			57	116	24.42	4.1	1.60			62	106	22.27	4.0	1.75			72	92	19.31	3.9	2.00	77	86	18.08	2.5	1.40	GR27 GRF27	4P	86	79	16.22	3.9	3.30			89	74	15.60	3.7	2.50			105	63	13.25	3.5	2.80			117	56	11.83	3.4	3.00			137	48	10.11	3.2	3.20			147	45	9.47	3.2	3.40	48	136	28.78	2.7	0.85	GR27	4P	62	106	22.32	2.6	1.10	57		116	24.47	2.7	1.00	GRF27	72		92	19.35	2.5	1.30	77	86	18.08	2.5	1.40	GR17 GRF17	4P	89	74	15.63	2.4	1.60			105	63	13.28	2.3	1.90			117	56	11.86	2.3	2.10			137	48	10.13	2.2	2.30			148	45	9.41	2.1	2.50			170	39	8.16	2.0	2.70			182	36	7.63	2.0	2.80	211	31	6.59	1.9	3.10			248	27	5.60	1.8	3.40			278	24	5.00	1.8	3.70			71	93	19.71	1.4	0.85			82	81	16.99	1.3	0.95	88	75	15.84	1.3	1.05	100	66	13.84	1.3	1.20	107	62	12.98	1.3	1.25	121	54	11.45	1.3	1.35	137	48	10.15	1.3	1.45	161	41	8.63	1.2	1.60	184	36	7.55	1.1	1.45	197	33	7.04	1.1	1.50	226	29	6.15	1.1	1.70	241	27	5.76	1.1	1.75	273	24	5.09	1.1	1.95	308	21	4.51	1.0	2.00	363	18	3.83	1.0	2.30																																																																																																																																																																																																																																																																																																																		
29	236	48.23	6.6	1.80			32	212	43.30	6.4	2.00			37	183	37.30	6.2	2.30			40	172	35.07	6.1	2.50	46	148	30.18	5.8	2.90	52	132	26.97	5.6	3.20	53	129	26.31	5.6	3.30	GR57 GRF57	4P	47	146	29.88	4.6	1.95			56	122	24.99	5.5	3.50			63	107	21.93	5.3	4.00			75	91	18.60	5.1	4.70			29	228	48.08	2.2	0.80			GR37	4P	52	131	26.70	4.4	2.20	31		212	44.81	4.0	0.85	GRF37	35		186	39.17	4.5	1.00	38	174	36.72	4.5	1.05	GR37 GRF37	4P	59	115	23.59	4.3	2.50			43	154	32.40	4.4	1.20			48	136	28.73	4.3	1.35			57	116	24.42	4.1	1.60			62	106	22.27	4.0	1.75			72	92	19.31	3.9	2.00	77	86	18.08	2.5	1.40	GR27 GRF27	4P	86	79	16.22	3.9	3.30			89	74	15.60	3.7	2.50			105	63	13.25	3.5	2.80			117	56	11.83	3.4	3.00			137	48	10.11	3.2	3.20			147	45	9.47	3.2	3.40	48	136	28.78	2.7	0.85	GR27	4P	62	106	22.32	2.6	1.10	57		116	24.47	2.7	1.00	GRF27	72		92	19.35	2.5	1.30	77	86	18.08	2.5	1.40	GR17 GRF17	4P	89	74	15.63	2.4	1.60			105	63	13.28	2.3	1.90			117	56	11.86	2.3	2.10			137	48	10.13	2.2	2.30			148	45	9.41	2.1	2.50			170	39	8.16	2.0	2.70			182	36	7.63	2.0	2.80			211	31	6.59	1.9	3.10	248	27	5.60	1.8	3.40			278	24	5.00	1.8	3.70			71	93	19.71	1.4	0.85			82	81	16.99	1.3	0.95	88	75	15.84	1.3	1.05	100	66	13.84	1.3	1.20	107	62	12.98	1.3	1.25	121	54	11.45	1.3	1.35	137	48	10.15	1.3	1.45	161	41	8.63	1.2	1.60	184	36	7.55	1.1	1.45	197	33	7.04	1.1	1.50	226	29	6.15	1.1	1.70	241	27	5.76	1.1	1.75	273	24	5.09	1.1	1.95	308	21	4.51	1.0	2.00	363	18	3.83	1.0	2.30																																																																																																																																																																																																																																																																																																																									
32	212	43.30	6.4	2.00			37	183	37.30	6.2	2.30			40	172	35.07	6.1	2.50	46	148	30.18	5.8	2.90	52	132	26.97	5.6	3.20	53	129	26.31	5.6	3.30	GR57 GRF57	4P	47	146	29.88	4.6	1.95			56	122	24.99	5.5	3.50			63	107	21.93	5.3	4.00			75	91	18.60	5.1	4.70			29	228	48.08	2.2	0.80			GR37	4P	52	131	26.70	4.4	2.20	31		212	44.81	4.0	0.85	GRF37	35		186	39.17	4.5	1.00	38	174	36.72	4.5	1.05	GR37 GRF37	4P	59	115	23.59	4.3	2.50			43	154	32.40	4.4	1.20			48	136	28.73	4.3	1.35			57	116	24.42	4.1	1.60			62	106	22.27	4.0	1.75			72	92	19.31	3.9	2.00	77	86	18.08	2.5	1.40	GR27 GRF27	4P	86	79	16.22	3.9	3.30			89	74	15.60	3.7	2.50			105	63	13.25	3.5	2.80			117	56	11.83	3.4	3.00			137	48	10.11	3.2	3.20			147	45	9.47	3.2	3.40	48	136	28.78	2.7	0.85	GR27	4P	62	106	22.32	2.6	1.10	57		116	24.47	2.7	1.00	GRF27	72		92	19.35	2.5	1.30	77	86	18.08	2.5	1.40	GR17 GRF17	4P	89	74	15.63	2.4	1.60			105	63	13.28	2.3	1.90			117	56	11.86	2.3	2.10			137	48	10.13	2.2	2.30			148	45	9.41	2.1	2.50			170	39	8.16	2.0	2.70			182	36	7.63	2.0	2.80			211	31	6.59	1.9	3.10			248	27	5.60	1.8	3.40	278	24	5.00	1.8	3.70			71	93	19.71	1.4	0.85			82	81	16.99	1.3	0.95	88	75	15.84	1.3	1.05	100	66	13.84	1.3	1.20	107	62	12.98	1.3	1.25	121	54	11.45	1.3	1.35	137	48	10.15	1.3	1.45	161	41	8.63	1.2	1.60	184	36	7.55	1.1	1.45	197	33	7.04	1.1	1.50	226	29	6.15	1.1	1.70	241	27	5.76	1.1	1.75	273	24	5.09	1.1	1.95	308	21	4.51	1.0	2.00	363	18	3.83	1.0	2.30																																																																																																																																																																																																																																																																																																																																
37	183	37.30	6.2	2.30			40	172	35.07	6.1	2.50	46	148	30.18	5.8	2.90	52	132	26.97	5.6	3.20	53	129	26.31	5.6	3.30	GR57 GRF57	4P	47	146	29.88	4.6	1.95			56	122	24.99	5.5	3.50			63	107	21.93	5.3	4.00			75	91	18.60	5.1	4.70			29	228	48.08	2.2	0.80			GR37	4P	52	131	26.70	4.4	2.20	31		212	44.81	4.0	0.85	GRF37	35		186	39.17	4.5	1.00	38	174	36.72	4.5	1.05	GR37 GRF37	4P	59	115	23.59	4.3	2.50			43	154	32.40	4.4	1.20			48	136	28.73	4.3	1.35			57	116	24.42	4.1	1.60			62	106	22.27	4.0	1.75			72	92	19.31	3.9	2.00	77	86	18.08	2.5	1.40	GR27 GRF27	4P	86	79	16.22	3.9	3.30			89	74	15.60	3.7	2.50			105	63	13.25	3.5	2.80			117	56	11.83	3.4	3.00			137	48	10.11	3.2	3.20			147	45	9.47	3.2	3.40	48	136	28.78	2.7	0.85	GR27	4P	62	106	22.32	2.6	1.10	57		116	24.47	2.7	1.00	GRF27	72		92	19.35	2.5	1.30	77	86	18.08	2.5	1.40	GR17 GRF17	4P	89	74	15.63	2.4	1.60			105	63	13.28	2.3	1.90			117	56	11.86	2.3	2.10			137	48	10.13	2.2	2.30			148	45	9.41	2.1	2.50			170	39	8.16	2.0	2.70			182	36	7.63	2.0	2.80			211	31	6.59	1.9	3.10			248	27	5.60	1.8	3.40			278	24	5.00	1.8	3.70	71	93	19.71	1.4	0.85			82	81	16.99	1.3	0.95	88	75	15.84	1.3	1.05	100	66	13.84	1.3	1.20	107	62	12.98	1.3	1.25	121	54	11.45	1.3	1.35	137	48	10.15	1.3	1.45	161	41	8.63	1.2	1.60	184	36	7.55	1.1	1.45	197	33	7.04	1.1	1.50	226	29	6.15	1.1	1.70	241	27	5.76	1.1	1.75	273	24	5.09	1.1	1.95	308	21	4.51	1.0	2.00	363	18	3.83	1.0	2.30																																																																																																																																																																																																																																																																																																																																							
40	172	35.07	6.1	2.50	46	148	30.18	5.8	2.90	52	132	26.97	5.6	3.20	53	129	26.31	5.6	3.30	GR57 GRF57	4P	47	146	29.88	4.6	1.95			56	122	24.99	5.5	3.50			63	107	21.93	5.3	4.00			75	91	18.60	5.1	4.70			29	228	48.08	2.2	0.80			GR37	4P	52	131	26.70	4.4	2.20	31		212	44.81	4.0	0.85	GRF37	35		186	39.17	4.5	1.00	38	174	36.72	4.5	1.05	GR37 GRF37	4P	59	115	23.59	4.3	2.50			43	154	32.40	4.4	1.20			48	136	28.73	4.3	1.35			57	116	24.42	4.1	1.60			62	106	22.27	4.0	1.75			72	92	19.31	3.9	2.00	77	86	18.08	2.5	1.40	GR27 GRF27	4P	86	79	16.22	3.9	3.30			89	74	15.60	3.7	2.50			105	63	13.25	3.5	2.80			117	56	11.83	3.4	3.00			137	48	10.11	3.2	3.20			147	45	9.47	3.2	3.40	48	136	28.78	2.7	0.85	GR27	4P	62	106	22.32	2.6	1.10	57		116	24.47	2.7	1.00	GRF27	72		92	19.35	2.5	1.30	77	86	18.08	2.5	1.40	GR17 GRF17	4P	89	74	15.63	2.4	1.60			105	63	13.28	2.3	1.90			117	56	11.86	2.3	2.10			137	48	10.13	2.2	2.30			148	45	9.41	2.1	2.50			170	39	8.16	2.0	2.70			182	36	7.63	2.0	2.80			211	31	6.59	1.9	3.10			248	27	5.60	1.8	3.40			278	24	5.00	1.8	3.70			71	93	19.71	1.4	0.85	82	81	16.99	1.3	0.95	88	75	15.84	1.3	1.05	100	66	13.84	1.3	1.20	107	62	12.98	1.3	1.25	121	54	11.45	1.3	1.35	137	48	10.15	1.3	1.45	161	41	8.63	1.2	1.60	184	36	7.55	1.1	1.45	197	33	7.04	1.1	1.50	226	29	6.15	1.1	1.70	241	27	5.76	1.1	1.75	273	24	5.09	1.1	1.95	308	21	4.51	1.0	2.00	363	18	3.83	1.0	2.30																																																																																																																																																																																																																																																																																																																																														
46	148	30.18	5.8	2.90	52	132	26.97	5.6	3.20	53	129	26.31	5.6	3.30	GR57 GRF57	4P	47	146	29.88			4.6	1.95	56	122	24.99			5.5	3.50	63	107	21.93			5.3	4.00	75	91	18.60			5.1	4.70	29	228	48.08			2.2	0.80	GR37	4P	52	131	26.70	4.4		2.20	31	212	44.81	4.0	0.85		GRF37	35	186	39.17	4.5	1.00	38	174	36.72	4.5	1.05	GR37 GRF37	4P	59	115	23.59			4.3	2.50	43	154	32.40			4.4	1.20	48	136	28.73			4.3	1.35	57	116	24.42			4.1	1.60	62	106	22.27			4.0	1.75	72	92	19.31	3.9	2.00	77	86	18.08	2.5	1.40	GR27 GRF27	4P	86	79	16.22			3.9	3.30	89	74	15.60			3.7	2.50	105	63	13.25			3.5	2.80	117	56	11.83			3.4	3.00	137	48	10.11			3.2	3.20	147	45	9.47	3.2	3.40	48	136	28.78	2.7	0.85	GR27	4P	62	106	22.32	2.6		1.10	57	116	24.47	2.7	1.00		GRF27	72	92	19.35	2.5	1.30	77	86	18.08	2.5	1.40	GR17 GRF17	4P	89	74	15.63			2.4	1.60	105	63	13.28			2.3	1.90	117	56	11.86			2.3	2.10	137	48	10.13			2.2	2.30	148	45	9.41			2.1	2.50	170	39	8.16			2.0	2.70	182	36	7.63			2.0	2.80	211	31	6.59			1.9	3.10	248	27	5.60			1.8	3.40	278	24	5.00			1.8	3.70	71	93	19.71	1.4	0.85	82	81	16.99	1.3	0.95	88	75	15.84	1.3	1.05	100	66	13.84	1.3	1.20	107	62	12.98	1.3	1.25	121	54	11.45	1.3	1.35	137	48	10.15	1.3	1.45	161	41	8.63	1.2	1.60	184	36	7.55	1.1	1.45	197	33	7.04	1.1	1.50	226	29	6.15	1.1	1.70	241	27	5.76	1.1	1.75	273	24	5.09	1.1	1.95	308	21	4.51	1.0	2.00	363	18	3.83	1.0	2.30																																																																																																																																																																																																																																																																																																																																																			
52	132	26.97	5.6	3.20	53	129	26.31	5.6	3.30	GR57 GRF57	4P	47	146	29.88			4.6	1.95	56			122	24.99	5.5	3.50	63			107	21.93	5.3	4.00	75			91	18.60	5.1	4.70	29			228	48.08	2.2	0.80	GR37	4P	52	131	26.70	4.4		2.20	31	212	44.81		4.0	0.85	GRF37	35	186	39.17	4.5	1.00	38	174	36.72	4.5	1.05	GR37 GRF37	4P	59	115	23.59			4.3	2.50	43			154	32.40	4.4	1.20	48			136	28.73	4.3	1.35	57			116	24.42	4.1	1.60	62			106	22.27	4.0	1.75	72	92	19.31	3.9	2.00	77	86	18.08	2.5	1.40	GR27 GRF27	4P	86	79	16.22			3.9	3.30	89			74	15.60	3.7	2.50	105			63	13.25	3.5	2.80	117			56	11.83	3.4	3.00	137			48	10.11	3.2	3.20	147	45	9.47	3.2	3.40	48	136	28.78	2.7	0.85	GR27	4P	62	106	22.32	2.6		1.10	57	116	24.47		2.7	1.00	GRF27	72	92	19.35	2.5	1.30	77	86	18.08	2.5	1.40	GR17 GRF17	4P	89	74	15.63			2.4	1.60	105			63	13.28	2.3	1.90	117			56	11.86	2.3	2.10	137			48	10.13	2.2	2.30	148			45	9.41	2.1	2.50	170			39	8.16	2.0	2.70	182			36	7.63	2.0	2.80	211			31	6.59	1.9	3.10	248			27	5.60	1.8	3.40	278			24	5.00	1.8	3.70	71	93	19.71	1.4	0.85	82	81	16.99	1.3	0.95	88	75	15.84	1.3	1.05	100	66	13.84	1.3	1.20	107	62	12.98	1.3	1.25	121	54	11.45	1.3	1.35	137	48	10.15	1.3	1.45	161	41	8.63	1.2	1.60	184	36	7.55	1.1	1.45	197	33	7.04	1.1	1.50	226	29	6.15	1.1	1.70	241	27	5.76	1.1	1.75	273	24	5.09	1.1	1.95	308	21	4.51	1.0	2.00	363	18	3.83	1.0	2.30																																																																																																																																																																																																																																																																																																																																																								
53	129	26.31	5.6	3.30	GR57 GRF57	4P	47	146	29.88			4.6	1.95	56			122	24.99	5.5			3.50	63	107	21.93	5.3			4.00	75	91	18.60	5.1			4.70	29	228	48.08	2.2	0.80	GR37	4P	52	131	26.70	4.4		2.20	31	212	44.81		4.0	0.85	GRF37	35	186	39.17	4.5	1.00	38	174	36.72	4.5	1.05	GR37 GRF37	4P	59	115	23.59			4.3	2.50	43			154	32.40	4.4			1.20	48	136	28.73	4.3			1.35	57	116	24.42	4.1			1.60	62	106	22.27	4.0	1.75	72	92	19.31	3.9	2.00	77	86	18.08	2.5	1.40	GR27 GRF27	4P	86	79	16.22			3.9	3.30	89			74	15.60	3.7			2.50	105	63	13.25	3.5			2.80	117	56	11.83	3.4			3.00	137	48	10.11	3.2	3.20	147	45	9.47	3.2	3.40	48	136	28.78	2.7	0.85	GR27	4P	62	106	22.32	2.6		1.10	57	116	24.47		2.7	1.00	GRF27	72	92	19.35	2.5	1.30	77	86	18.08	2.5	1.40	GR17 GRF17	4P	89	74	15.63			2.4	1.60	105			63	13.28	2.3			1.90	117	56	11.86	2.3			2.10	137	48	10.13	2.2			2.30	148	45	9.41	2.1			2.50	170	39	8.16	2.0			2.70	182	36	7.63	2.0			2.80	211	31	6.59	1.9			3.10	248	27	5.60	1.8			3.40	278	24	5.00	1.8	3.70	71	93	19.71	1.4	0.85	82	81	16.99	1.3	0.95	88	75	15.84	1.3	1.05	100	66	13.84	1.3	1.20	107	62	12.98	1.3	1.25	121	54	11.45	1.3	1.35	137	48	10.15	1.3	1.45	161	41	8.63	1.2	1.60	184	36	7.55	1.1	1.45	197	33	7.04	1.1	1.50	226	29	6.15	1.1	1.70	241	27	5.76	1.1	1.75	273	24	5.09	1.1	1.95	308	21	4.51	1.0	2.00	363	18	3.83	1.0	2.30																																																																																																																																																																																																																																																																																																																																																													
56	122	24.99	5.5	3.50			63	107	21.93			5.3	4.00	75			91	18.60	5.1			4.70	29	228	48.08	2.2			0.80	GR37	4P	52	131	26.70	4.4	2.20	31	212	44.81	4.0	0.85	GRF37		35	186	39.17	4.5		1.00	38	174	36.72	4.5	1.05	GR37 GRF37	4P	59	115	23.59	4.3	2.50	43	154	32.40	4.4	1.20			48	136	28.73			4.3	1.35	57			116	24.42	4.1			1.60	62	106	22.27	4.0			1.75	72	92	19.31	3.9	2.00	77	86	18.08	2.5	1.40	GR27 GRF27	4P	86	79	16.22	3.9	3.30	89	74	15.60	3.7	2.50			105	63	13.25			3.5	2.80	117			56	11.83	3.4			3.00	137	48	10.11	3.2			3.20	147	45	9.47	3.2	3.40	48	136	28.78	2.7	0.85	GR27	4P	62	106	22.32	2.6	1.10	57	116	24.47	2.7	1.00	GRF27		72	92	19.35	2.5		1.30	77	86	18.08	2.5	1.40	GR17 GRF17	4P	89	74	15.63	2.4	1.60	105	63	13.28	2.3	1.90			117	56	11.86			2.3	2.10	137			48	10.13	2.2			2.30	148	45	9.41	2.1			2.50	170	39	8.16	2.0			2.70	182	36	7.63	2.0			2.80	211	31	6.59	1.9			3.10	248	27	5.60	1.8			3.40	278	24	5.00	1.8			3.70	71	93	19.71	1.4	0.85	82	81	16.99	1.3	0.95	88	75	15.84	1.3	1.05	100	66	13.84	1.3	1.20	107	62	12.98	1.3	1.25	121	54	11.45	1.3	1.35	137	48	10.15	1.3	1.45	161	41	8.63	1.2	1.60	184	36	7.55	1.1	1.45	197	33	7.04	1.1	1.50	226	29	6.15	1.1	1.70	241	27	5.76	1.1	1.75	273	24	5.09	1.1	1.95	308	21	4.51	1.0	2.00	363	18	3.83	1.0	2.30																																																																																																																																																																																																																																																																																																																																																																									
63	107	21.93	5.3	4.00			75	91	18.60			5.1	4.70	29			228	48.08	2.2			0.80	GR37	4P	52	131	26.70	4.4	2.20	31		212	44.81	4.0	0.85	GRF37	35	186	39.17	4.5	1.00	38		174	36.72	4.5	1.05	GR37 GRF37	4P	59	115	23.59	4.3	2.50			43	154	32.40	4.4	1.20	48	136	28.73	4.3	1.35			57	116	24.42			4.1	1.60	62			106	22.27	4.0			1.75	72	92	19.31	3.9	2.00	77	86	18.08	2.5	1.40	GR27 GRF27	4P	86	79	16.22	3.9	3.30			89	74	15.60	3.7	2.50	105	63	13.25	3.5	2.80			117	56	11.83			3.4	3.00	137			48	10.11	3.2			3.20	147	45	9.47	3.2	3.40	48	136	28.78	2.7	0.85	GR27	4P	62	106	22.32	2.6	1.10	57		116	24.47	2.7	1.00	GRF27	72	92	19.35	2.5	1.30	77		86	18.08	2.5	1.40	GR17 GRF17	4P	89	74	15.63	2.4	1.60			105	63	13.28	2.3	1.90	117	56	11.86	2.3	2.10			137	48	10.13			2.2	2.30	148			45	9.41	2.1			2.50	170	39	8.16	2.0			2.70	182	36	7.63	2.0			2.80	211	31	6.59	1.9			3.10	248	27	5.60	1.8			3.40	278	24	5.00	1.8			3.70	71	93	19.71	1.4	0.85	82	81	16.99	1.3	0.95	88	75	15.84	1.3	1.05	100	66	13.84	1.3	1.20	107	62	12.98	1.3	1.25	121	54	11.45	1.3	1.35	137	48	10.15	1.3	1.45	161	41	8.63	1.2	1.60	184	36	7.55	1.1	1.45	197	33	7.04	1.1	1.50	226	29	6.15	1.1	1.70	241	27	5.76	1.1	1.75	273	24	5.09	1.1	1.95	308	21	4.51	1.0	2.00	363	18	3.83	1.0	2.30																																																																																																																																																																																																																																																																																																																																																																																
75	91	18.60	5.1	4.70			29	228	48.08			2.2	0.80	GR37			4P	52	131	26.70	4.4	2.20	31		212	44.81	4.0	0.85	GRF37	35		186	39.17	4.5	1.00	38	174	36.72	4.5	1.05	GR37 GRF37	4P	59	115	23.59	4.3	2.50			43	154	32.40	4.4	1.20			48	136	28.73	4.3	1.35	57	116	24.42	4.1	1.60			62	106	22.27			4.0	1.75	72			92	19.31	3.9	2.00	77	86	18.08	2.5	1.40	GR27 GRF27	4P	86	79	16.22	3.9	3.30			89	74	15.60	3.7	2.50			105	63	13.25	3.5	2.80	117	56	11.83	3.4	3.00			137	48	10.11			3.2	3.20	147			45	9.47	3.2	3.40	48	136	28.78	2.7	0.85	GR27	4P	62	106	22.32	2.6	1.10	57		116	24.47	2.7	1.00	GRF27	72		92	19.35	2.5	1.30	77	86	18.08	2.5	1.40	GR17 GRF17	4P	89	74	15.63	2.4	1.60			105	63	13.28	2.3	1.90			117	56	11.86	2.3	2.10	137	48	10.13	2.2	2.30			148	45	9.41			2.1	2.50	170			39	8.16	2.0			2.70	182	36	7.63	2.0			2.80	211	31	6.59	1.9			3.10	248	27	5.60	1.8			3.40	278	24	5.00	1.8			3.70	71	93	19.71	1.4	0.85	82	81	16.99	1.3	0.95	88	75	15.84	1.3	1.05	100	66	13.84	1.3	1.20	107	62	12.98	1.3	1.25	121	54	11.45	1.3	1.35	137	48	10.15	1.3	1.45	161	41	8.63	1.2	1.60	184	36	7.55	1.1	1.45	197	33	7.04	1.1	1.50	226	29	6.15	1.1	1.70	241	27	5.76	1.1	1.75	273	24	5.09	1.1	1.95	308	21	4.51	1.0	2.00	363	18	3.83	1.0	2.30																																																																																																																																																																																																																																																																																																																																																																																							
29	228	48.08	2.2	0.80			GR37	4P	52			131	26.70	4.4	2.20	31		212	44.81	4.0	0.85	GRF37	35		186	39.17	4.5	1.00	38	174	36.72	4.5	1.05	GR37 GRF37	4P	59	115	23.59	4.3	2.50			43	154	32.40	4.4	1.20			48	136	28.73	4.3	1.35			57	116	24.42	4.1	1.60	62	106	22.27	4.0	1.75			72	92	19.31			3.9	2.00	77	86	18.08	2.5	1.40	GR27 GRF27	4P	86	79	16.22	3.9	3.30			89	74	15.60	3.7	2.50			105	63	13.25	3.5	2.80			117	56	11.83	3.4	3.00	137	48	10.11	3.2	3.20			147	45	9.47			3.2	3.40	48	136	28.78	2.7	0.85	GR27	4P	62	106	22.32	2.6	1.10	57		116	24.47	2.7	1.00	GRF27	72		92	19.35	2.5	1.30	77	86	18.08	2.5	1.40	GR17 GRF17	4P	89	74	15.63	2.4	1.60			105	63	13.28	2.3	1.90			117	56	11.86	2.3	2.10			137	48	10.13	2.2	2.30	148	45	9.41	2.1	2.50			170	39	8.16			2.0	2.70	182			36	7.63	2.0			2.80	211	31	6.59	1.9			3.10	248	27	5.60	1.8			3.40	278	24	5.00	1.8			3.70	71	93	19.71	1.4	0.85	82	81	16.99	1.3	0.95	88	75	15.84	1.3	1.05	100	66	13.84	1.3	1.20	107	62	12.98	1.3	1.25	121	54	11.45	1.3	1.35	137	48	10.15	1.3	1.45	161	41	8.63	1.2	1.60	184	36	7.55	1.1	1.45	197	33	7.04	1.1	1.50	226	29	6.15	1.1	1.70	241	27	5.76	1.1	1.75	273	24	5.09	1.1	1.95	308	21	4.51	1.0	2.00	363	18	3.83	1.0	2.30																																																																																																																																																																																																																																																																																																																																																																																														
31	212	44.81	4.0	0.85			GRF37		35	186	39.17	4.5	1.00	38	174	36.72		4.5	1.05	GR37 GRF37	4P	59	115	23.59	4.3	2.50	43	154	32.40	4.4	1.20	48	136			28.73	4.3	1.35	57	116			24.42	4.1	1.60	62	106			22.27	4.0	1.75	72	92			19.31	3.9	2.00	77	86	18.08	2.5	1.40	GR27 GRF27	4P			86	79	16.22	3.9	3.30	89	74	15.60	3.7	2.50	105	63			13.25	3.5	2.80	117	56			11.83	3.4	3.00	137	48			10.11	3.2	3.20	147	45			9.47	3.2	3.40	48	136	28.78	2.7	0.85	GR27	4P			62	106	22.32	2.6	1.10	57	116	24.47	2.7	1.00	GRF27	72	92		19.35	2.5	1.30	77	86	18.08		2.5	1.40	GR17 GRF17	4P	89	74	15.63	2.4	1.60	105	63	13.28	2.3	1.90	117	56			11.86	2.3	2.10	137	48			10.13	2.2	2.30	148	45			9.41	2.1	2.50	170	39			8.16	2.0	2.70	182	36	7.63	2.0	2.80	211	31			6.59	1.9	3.10			248	27	5.60			1.8	3.40	278			24	5.00	1.8	3.70	71			93	19.71	1.4	0.85	82			81	16.99	1.3	0.95	88	75	15.84	1.3	1.05	100	66	13.84	1.3	1.20	107	62	12.98	1.3	1.25	121	54	11.45	1.3	1.35	137	48	10.15	1.3	1.45	161	41	8.63	1.2	1.60	184	36	7.55	1.1	1.45	197	33	7.04	1.1	1.50	226	29	6.15	1.1	1.70	241	27	5.76	1.1	1.75	273	24	5.09	1.1	1.95	308	21	4.51	1.0	2.00	363	18	3.83	1.0	2.30																																																																																																																																																																																																																																																																																																																																																																																																												
35	186	39.17	4.5	1.00	38	174	36.72		4.5	1.05	GR37 GRF37	4P	59	115	23.59	4.3	2.50	43	154			32.40	4.4	1.20	48	136	28.73	4.3	1.35	57	116	24.42	4.1			1.60	62	106	22.27	4.0			1.75	72	92	19.31	3.9			2.00	77	86	18.08	2.5			1.40	GR27 GRF27	4P	86	79	16.22	3.9	3.30			89	74	15.60	3.7	2.50	105	63	13.25	3.5	2.80	117	56	11.83	3.4			3.00	137	48	10.11	3.2			3.20	147	45	9.47	3.2			3.40	48	136	28.78	2.7			0.85	GR27	4P	62	106	22.32	2.6	1.10	57		116	24.47	2.7	1.00	GRF27	72	92	19.35	2.5	1.30	77	86	18.08	2.5	1.40		GR17 GRF17	4P	89	74	15.63	2.4	1.60	105	63			13.28	2.3	1.90	117	56	11.86	2.3	2.10	137	48	10.13	2.2			2.30	148	45	9.41	2.1			2.50	170	39	8.16	2.0			2.70	182	36	7.63	2.0			2.80	211	31	6.59	1.9	3.10	248	27	5.60	1.8			3.40	278	24			5.00	1.8	3.70			71	93	19.71			1.4	0.85	82	81	16.99			1.3	0.95	88	75	15.84	1.3	1.05	100	66	13.84	1.3	1.20	107	62	12.98	1.3	1.25	121	54	11.45	1.3	1.35	137	48	10.15	1.3	1.45	161	41	8.63	1.2	1.60	184	36	7.55	1.1	1.45	197	33	7.04	1.1	1.50	226	29	6.15	1.1	1.70	241	27	5.76	1.1	1.75	273	24	5.09	1.1	1.95	308	21	4.51	1.0	2.00	363	18	3.83	1.0	2.30																																																																																																																																																																																																																																																																																																																																																																																																																					
38	174	36.72	4.5	1.05	GR37 GRF37	4P	59	115	23.59	4.3			2.50	43	154	32.40	4.4	1.20	48			136	28.73	4.3	1.35	57	116	24.42	4.1	1.60	62	106	22.27			4.0	1.75	72	92	19.31			3.9	2.00	77	86	18.08			2.5	1.40	GR27 GRF27	4P	86	79	16.22	3.9			3.30	89	74	15.60	3.7			2.50	105	63	13.25	3.5	2.80	117	56	11.83	3.4	3.00	137	48	10.11			3.2	3.20	147	45	9.47			3.2	3.40	48	136	28.78			2.7	0.85	GR27	4P	62	106	22.32	2.6	1.10		57	116	24.47	2.7	1.00	GRF27		72	92	19.35	2.5	1.30	77	86	18.08	2.5	1.40	GR17 GRF17	4P	89	74	15.63	2.4			1.60	105	63	13.28	2.3	1.90	117			56	11.86	2.3	2.10	137	48	10.13	2.2	2.30	148	45	9.41			2.1	2.50	170	39	8.16			2.0	2.70	182	36	7.63			2.0	2.80	211	31	6.59			1.9	3.10	248	27	5.60	1.8	3.40	278	24	5.00			1.8	3.70	71			93	19.71	1.4			0.85	82	81			16.99	1.3	0.95	88	75	15.84	1.3	1.05	100	66	13.84	1.3	1.20	107	62	12.98	1.3	1.25	121	54	11.45	1.3	1.35	137	48	10.15	1.3	1.45	161	41	8.63	1.2	1.60	184	36	7.55	1.1	1.45	197	33	7.04	1.1	1.50	226	29	6.15	1.1	1.70	241	27	5.76	1.1	1.75	273	24	5.09	1.1	1.95	308	21	4.51	1.0	2.00	363	18	3.83	1.0	2.30																																																																																																																																																																																																																																																																																																																																																																																																																											
43	154	32.40	4.4	1.20			48	136	28.73	4.3			1.35	57	116	24.42	4.1	1.60	62			106	22.27	4.0	1.75	72	92	19.31	3.9	2.00	77	86	18.08			2.5	1.40	GR27 GRF27	4P	86			79	16.22	3.9	3.30	89	74	15.60	3.7	2.50			105	63	13.25	3.5			2.80	117	56	11.83	3.4			3.00	137	48	10.11	3.2	3.20	147	45	9.47	3.2	3.40	48	136	28.78			2.7	0.85	GR27	4P	62			106	22.32	2.6	1.10	57	116	24.47	2.7	1.00	GRF27		72	92	19.35	2.5	1.30		77	86	18.08	2.5	1.40	GR17 GRF17	4P	89	74	15.63	2.4	1.60	105	63	13.28	2.3	1.90			117	56	11.86	2.3			2.10	137	48	10.13	2.2	2.30	148			45	9.41	2.1	2.50	170	39	8.16	2.0	2.70	182	36	7.63			2.0	2.80	211	31	6.59			1.9	3.10	248	27	5.60			1.8	3.40	278	24	5.00			1.8	3.70	71	93	19.71	1.4	0.85	82	81	16.99			1.3	0.95	88			75	15.84	1.3			1.05	100	66	13.84	1.3	1.20	107	62	12.98	1.3	1.25	121	54	11.45	1.3	1.35	137	48	10.15	1.3	1.45	161	41	8.63	1.2	1.60	184	36	7.55	1.1	1.45	197	33	7.04	1.1	1.50	226	29	6.15	1.1	1.70	241	27	5.76	1.1	1.75	273	24	5.09	1.1	1.95	308	21	4.51	1.0	2.00	363	18	3.83	1.0	2.30																																																																																																																																																																																																																																																																																																																																																																																																																																							
48	136	28.73	4.3	1.35			57	116	24.42	4.1			1.60	62	106	22.27	4.0	1.75	72			92	19.31	3.9	2.00	77	86	18.08	2.5	1.40	GR27 GRF27	4P	86			79	16.22			3.9	3.30	89	74	15.60	3.7	2.50	105	63	13.25	3.5	2.80			117	56	11.83	3.4			3.00	137	48	10.11	3.2			3.20	147	45	9.47	3.2	3.40	48	136	28.78	2.7	0.85	GR27	4P	62			106	22.32	2.6		1.10	57	116	24.47	2.7	1.00	GRF27	72	92	19.35	2.5	1.30	77		86	18.08	2.5	1.40	GR17 GRF17	4P	89	74	15.63	2.4	1.60			105	63	13.28	2.3	1.90	117	56	11.86	2.3	2.10			137	48	10.13	2.2			2.30	148	45	9.41	2.1	2.50	170			39	8.16	2.0	2.70	182	36	7.63	2.0	2.80	211	31	6.59			1.9	3.10	248	27	5.60			1.8	3.40	278	24	5.00			1.8	3.70	71	93	19.71			1.4	0.85	82	81	16.99	1.3	0.95	88	75	15.84			1.3	1.05	100			66	13.84	1.3	1.20	107	62	12.98	1.3	1.25	121	54	11.45	1.3	1.35	137	48	10.15	1.3	1.45	161	41	8.63	1.2	1.60	184	36	7.55	1.1	1.45	197	33	7.04	1.1	1.50	226	29	6.15	1.1	1.70	241	27	5.76	1.1	1.75	273	24	5.09	1.1	1.95	308	21	4.51	1.0	2.00	363	18	3.83	1.0	2.30																																																																																																																																																																																																																																																																																																																																																																																																																																														
57	116	24.42	4.1	1.60			62	106	22.27	4.0			1.75	72	92	19.31	3.9	2.00	77			86	18.08	2.5	1.40	GR27 GRF27	4P	86	79	16.22			3.9	3.30	89	74	15.60			3.7	2.50	105	63	13.25	3.5	2.80	117	56	11.83	3.4	3.00			137	48	10.11	3.2			3.20	147	45	9.47	3.2			3.40	48	136	28.78	2.7	0.85	GR27	4P	62	106	22.32	2.6		1.10	57	116	24.47	2.7	1.00		GRF27	72	92	19.35	2.5	1.30	77	86	18.08	2.5	1.40	GR17 GRF17	4P	89	74	15.63	2.4	1.60			105	63	13.28	2.3	1.90			117	56	11.86	2.3	2.10	137	48	10.13	2.2	2.30			148	45	9.41	2.1			2.50	170	39	8.16	2.0	2.70	182			36	7.63	2.0	2.80	211	31	6.59	1.9	3.10	248	27	5.60			1.8	3.40	278	24	5.00			1.8	3.70	71	93	19.71			1.4	0.85	82	81	16.99			1.3	0.95	88	75	15.84	1.3	1.05	100	66	13.84			1.3	1.20	107	62	12.98	1.3	1.25	121	54	11.45	1.3	1.35	137	48	10.15	1.3	1.45	161	41	8.63	1.2	1.60	184	36	7.55	1.1	1.45	197	33	7.04	1.1	1.50	226	29	6.15	1.1	1.70	241	27	5.76	1.1	1.75	273	24	5.09	1.1	1.95	308	21	4.51	1.0	2.00	363	18	3.83	1.0	2.30																																																																																																																																																																																																																																																																																																																																																																																																																																																					
62	106	22.27	4.0	1.75			72	92	19.31	3.9			2.00	77	86	18.08	2.5	1.40	GR27 GRF27	4P	86	79	16.22	3.9	3.30			89	74	15.60			3.7	2.50	105	63	13.25			3.5	2.80	117	56	11.83	3.4	3.00	137	48	10.11	3.2	3.20			147	45	9.47	3.2			3.40	48	136	28.78	2.7	0.85	GR27	4P	62	106	22.32	2.6	1.10	57		116	24.47	2.7	1.00		GRF27	72	92	19.35	2.5	1.30	77	86	18.08	2.5	1.40	GR17 GRF17	4P	89	74	15.63	2.4	1.60			105	63	13.28	2.3	1.90			117	56	11.86	2.3	2.10			137	48	10.13	2.2	2.30	148	45	9.41	2.1	2.50			170	39	8.16	2.0			2.70	182	36	7.63	2.0	2.80	211			31	6.59	1.9	3.10	248	27	5.60	1.8	3.40	278	24	5.00			1.8	3.70	71	93	19.71			1.4	0.85	82	81	16.99			1.3	0.95	88	75	15.84			1.3	1.05	100	66	13.84	1.3	1.20	107	62	12.98	1.3	1.25	121	54	11.45	1.3	1.35	137	48	10.15	1.3	1.45	161	41	8.63	1.2	1.60	184	36	7.55	1.1	1.45	197	33	7.04	1.1	1.50	226	29	6.15	1.1	1.70	241	27	5.76	1.1	1.75	273	24	5.09	1.1	1.95	308	21	4.51	1.0	2.00	363	18	3.83	1.0	2.30																																																																																																																																																																																																																																																																																																																																																																																																																																																												
72	92	19.31	3.9	2.00			77	86	18.08	2.5	1.40	GR27 GRF27	4P	86	79	16.22	3.9	3.30			89	74	15.60	3.7	2.50			105	63	13.25			3.5	2.80	117	56	11.83			3.4	3.00	137	48	10.11	3.2	3.20	147	45	9.47	3.2	3.40			48	136	28.78	2.7	0.85	GR27	4P	62	106	22.32	2.6	1.10	57		116	24.47	2.7	1.00	GRF27	72		92	19.35	2.5	1.30	77	86	18.08	2.5	1.40	GR17 GRF17	4P	89	74	15.63	2.4	1.60			105	63	13.28	2.3	1.90			117	56	11.86	2.3	2.10			137	48	10.13	2.2	2.30			148	45	9.41	2.1	2.50	170	39	8.16	2.0	2.70			182	36	7.63	2.0			2.80	211	31	6.59	1.9	3.10	248			27	5.60	1.8	3.40	278	24	5.00	1.8	3.70	71	93	19.71			1.4	0.85	82	81	16.99			1.3	0.95	88	75	15.84			1.3	1.05	100	66	13.84	1.3	1.20	107	62	12.98	1.3	1.25	121	54	11.45	1.3	1.35	137	48	10.15	1.3	1.45	161	41	8.63	1.2	1.60	184	36	7.55	1.1	1.45	197	33	7.04	1.1	1.50	226	29	6.15	1.1	1.70	241	27	5.76	1.1	1.75	273	24	5.09	1.1	1.95	308	21	4.51	1.0	2.00	363	18	3.83	1.0	2.30																																																																																																																																																																																																																																																																																																																																																																																																																																																																			
77	86	18.08	2.5	1.40	GR27 GRF27	4P	86	79	16.22	3.9	3.30			89	74	15.60	3.7	2.50			105	63	13.25	3.5	2.80			117	56	11.83			3.4	3.00	137	48	10.11			3.2	3.20	147	45	9.47	3.2	3.40	48	136	28.78	2.7	0.85	GR27	4P	62	106	22.32	2.6	1.10	57		116	24.47	2.7	1.00	GRF27	72		92	19.35	2.5	1.30	77	86	18.08	2.5	1.40	GR17 GRF17	4P	89	74	15.63	2.4	1.60			105	63	13.28	2.3	1.90			117	56	11.86	2.3	2.10			137	48	10.13	2.2	2.30			148	45	9.41	2.1	2.50			170	39	8.16	2.0	2.70	182	36	7.63	2.0	2.80			211	31	6.59	1.9			3.10	248	27	5.60	1.8	3.40	278			24	5.00	1.8	3.70	71	93	19.71	1.4	0.85	82	81	16.99			1.3	0.95	88	75	15.84			1.3	1.05	100	66	13.84	1.3	1.20	107	62	12.98	1.3	1.25	121	54	11.45	1.3	1.35	137	48	10.15	1.3	1.45	161	41	8.63	1.2	1.60	184	36	7.55	1.1	1.45	197	33	7.04	1.1	1.50	226	29	6.15	1.1	1.70	241	27	5.76	1.1	1.75	273	24	5.09	1.1	1.95	308	21	4.51	1.0	2.00	363	18	3.83	1.0	2.30																																																																																																																																																																																																																																																																																																																																																																																																																																																																										
89	74	15.60	3.7	2.50			105	63	13.25	3.5	2.80			117	56	11.83	3.4	3.00			137	48	10.11	3.2	3.20			147	45	9.47			3.2	3.40	48	136	28.78	2.7	0.85	GR27	4P	62	106	22.32	2.6	1.10	57	116	24.47	2.7	1.00	GRF27		72	92	19.35	2.5	1.30	77		86	18.08	2.5	1.40	GR17 GRF17	4P	89	74	15.63	2.4	1.60	105	63	13.28	2.3	1.90			117	56	11.86	2.3	2.10			137	48	10.13	2.2	2.30			148	45	9.41	2.1	2.50			170	39	8.16	2.0	2.70			182	36	7.63	2.0	2.80			211	31	6.59	1.9	3.10	248	27	5.60	1.8	3.40			278	24	5.00	1.8			3.70	71	93	19.71	1.4	0.85	82			81	16.99	1.3	0.95	88	75	15.84	1.3	1.05	100	66	13.84			1.3	1.20	107	62	12.98	1.3	1.25	121	54	11.45	1.3	1.35	137	48	10.15	1.3	1.45	161	41	8.63	1.2	1.60	184	36	7.55	1.1	1.45	197	33	7.04	1.1	1.50	226	29	6.15	1.1	1.70	241	27	5.76	1.1	1.75	273	24	5.09	1.1	1.95	308	21	4.51	1.0	2.00	363	18	3.83	1.0	2.30																																																																																																																																																																																																																																																																																																																																																																																																																																																																																						
105	63	13.25	3.5	2.80			117	56	11.83	3.4	3.00			137	48	10.11	3.2	3.20			147	45	9.47	3.2	3.40			48	136	28.78	2.7	0.85	GR27	4P	62	106	22.32	2.6	1.10	57		116	24.47	2.7	1.00	GRF27	72	92	19.35	2.5	1.30	77		86	18.08	2.5	1.40	GR17 GRF17	4P	89	74	15.63	2.4	1.60			105	63	13.28	2.3	1.90	117	56	11.86	2.3	2.10			137	48	10.13	2.2	2.30			148	45	9.41	2.1	2.50			170	39	8.16	2.0	2.70			182	36	7.63	2.0	2.80			211	31	6.59	1.9	3.10			248	27	5.60	1.8	3.40	278	24	5.00	1.8	3.70			71	93	19.71	1.4			0.85	82	81	16.99	1.3	0.95	88			75	15.84	1.3	1.05	100	66	13.84	1.3	1.20	107	62	12.98	1.3	1.25	121	54	11.45	1.3	1.35	137	48	10.15	1.3	1.45	161	41	8.63	1.2	1.60	184	36	7.55	1.1	1.45	197	33	7.04	1.1	1.50	226	29	6.15	1.1	1.70	241	27	5.76	1.1	1.75	273	24	5.09	1.1	1.95	308	21	4.51	1.0	2.00	363	18	3.83	1.0	2.30																																																																																																																																																																																																																																																																																																																																																																																																																																																																																													
117	56	11.83	3.4	3.00			137	48	10.11	3.2	3.20			147	45	9.47	3.2	3.40			48	136	28.78	2.7	0.85	GR27	4P	62	106	22.32	2.6	1.10	57		116	24.47	2.7	1.00	GRF27	72		92	19.35	2.5	1.30	77	86	18.08	2.5	1.40	GR17 GRF17	4P	89	74	15.63	2.4	1.60			105	63	13.28	2.3	1.90			117	56	11.86	2.3	2.10	137	48	10.13	2.2	2.30			148	45	9.41	2.1	2.50			170	39	8.16	2.0	2.70			182	36	7.63	2.0	2.80			211	31	6.59	1.9	3.10			248	27	5.60	1.8	3.40			278	24	5.00	1.8	3.70	71	93	19.71	1.4	0.85			82	81	16.99	1.3			0.95	88	75	15.84	1.3	1.05	100	66	13.84	1.3	1.20	107	62	12.98	1.3	1.25	121	54	11.45	1.3	1.35	137	48	10.15	1.3	1.45	161	41	8.63	1.2	1.60	184	36	7.55	1.1	1.45	197	33	7.04	1.1	1.50	226	29	6.15	1.1	1.70	241	27	5.76	1.1	1.75	273	24	5.09	1.1	1.95	308	21	4.51	1.0	2.00	363	18	3.83	1.0	2.30																																																																																																																																																																																																																																																																																																																																																																																																																																																																																																				
137	48	10.11	3.2	3.20			147	45	9.47	3.2	3.40			48	136	28.78	2.7	0.85	GR27	4P	62	106	22.32	2.6	1.10	57		116	24.47	2.7	1.00	GRF27	72		92	19.35	2.5	1.30	77	86	18.08	2.5	1.40	GR17 GRF17	4P	89	74	15.63	2.4	1.60			105	63	13.28	2.3	1.90			117	56	11.86	2.3	2.10			137	48	10.13	2.2	2.30	148	45	9.41	2.1	2.50			170	39	8.16	2.0	2.70			182	36	7.63	2.0	2.80			211	31	6.59	1.9	3.10			248	27	5.60	1.8	3.40			278	24	5.00	1.8	3.70			71	93	19.71	1.4	0.85	82	81	16.99	1.3	0.95			88	75	15.84	1.3	1.05	100	66	13.84	1.3	1.20	107	62	12.98	1.3	1.25	121	54	11.45	1.3	1.35	137	48	10.15	1.3	1.45	161	41	8.63	1.2	1.60	184	36	7.55	1.1	1.45	197	33	7.04	1.1	1.50	226	29	6.15	1.1	1.70	241	27	5.76	1.1	1.75	273	24	5.09	1.1	1.95	308	21	4.51	1.0	2.00	363	18	3.83	1.0	2.30																																																																																																																																																																																																																																																																																																																																																																																																																																																																																																											
147	45	9.47	3.2	3.40			48	136	28.78	2.7	0.85	GR27	4P	62	106	22.32	2.6	1.10	57		116	24.47	2.7	1.00	GRF27	72		92	19.35	2.5	1.30	77	86	18.08	2.5	1.40	GR17 GRF17	4P	89	74	15.63	2.4	1.60			105	63	13.28	2.3	1.90			117	56	11.86	2.3	2.10			137	48	10.13	2.2	2.30			148	45	9.41	2.1	2.50	170	39	8.16	2.0	2.70			182	36	7.63	2.0	2.80			211	31	6.59	1.9	3.10			248	27	5.60	1.8	3.40			278	24	5.00	1.8	3.70			71	93	19.71	1.4	0.85			82	81	16.99	1.3	0.95	88	75	15.84	1.3	1.05	100	66	13.84	1.3	1.20	107	62	12.98	1.3	1.25	121	54	11.45	1.3	1.35	137	48	10.15	1.3	1.45	161	41	8.63	1.2	1.60	184	36	7.55	1.1	1.45	197	33	7.04	1.1	1.50	226	29	6.15	1.1	1.70	241	27	5.76	1.1	1.75	273	24	5.09	1.1	1.95	308	21	4.51	1.0	2.00	363	18	3.83	1.0	2.30																																																																																																																																																																																																																																																																																																																																																																																																																																																																																																																		
48	136	28.78	2.7	0.85	GR27	4P	62	106	22.32	2.6	1.10	57		116	24.47	2.7	1.00	GRF27	72		92	19.35	2.5	1.30	77	86	18.08	2.5	1.40	GR17 GRF17	4P	89	74	15.63	2.4	1.60			105	63	13.28	2.3	1.90			117	56	11.86	2.3	2.10			137	48	10.13	2.2	2.30			148	45	9.41	2.1	2.50			170	39	8.16	2.0	2.70	182	36	7.63	2.0	2.80			211	31	6.59	1.9	3.10			248	27	5.60	1.8	3.40			278	24	5.00	1.8	3.70			71	93	19.71	1.4	0.85			82	81	16.99	1.3	0.95	88	75	15.84	1.3	1.05	100	66	13.84	1.3	1.20	107	62	12.98	1.3	1.25	121	54	11.45	1.3	1.35	137	48	10.15	1.3	1.45	161	41	8.63	1.2	1.60	184	36	7.55	1.1	1.45	197	33	7.04	1.1	1.50	226	29	6.15	1.1	1.70	241	27	5.76	1.1	1.75	273	24	5.09	1.1	1.95	308	21	4.51	1.0	2.00	363	18	3.83	1.0	2.30																																																																																																																																																																																																																																																																																																																																																																																																																																																																																																																									
57	116	24.47	2.7	1.00	GRF27		72	92	19.35	2.5	1.30	77		86	18.08	2.5	1.40	GR17 GRF17	4P	89	74	15.63	2.4	1.60	105	63	13.28	2.3	1.90			117	56	11.86	2.3	2.10			137	48	10.13	2.2	2.30			148	45	9.41	2.1	2.50			170	39	8.16	2.0	2.70			182	36	7.63	2.0	2.80			211	31	6.59	1.9	3.10	248	27	5.60	1.8	3.40			278	24	5.00	1.8	3.70			71	93	19.71	1.4	0.85			82	81	16.99	1.3	0.95			88	75	15.84	1.3	1.05	100	66	13.84	1.3	1.20	107	62	12.98	1.3	1.25	121	54	11.45	1.3	1.35	137	48	10.15	1.3	1.45	161	41	8.63	1.2	1.60	184	36	7.55	1.1	1.45	197	33	7.04	1.1	1.50	226	29	6.15	1.1	1.70	241	27	5.76	1.1	1.75	273	24	5.09	1.1	1.95	308	21	4.51	1.0	2.00	363	18	3.83	1.0	2.30																																																																																																																																																																																																																																																																																																																																																																																																																																																																																																																																					
72	92	19.35	2.5	1.30	77		86	18.08	2.5	1.40	GR17 GRF17	4P	89	74	15.63	2.4	1.60			105	63	13.28	2.3	1.90	117	56	11.86	2.3	2.10			137	48	10.13	2.2	2.30			148	45	9.41	2.1	2.50			170	39	8.16	2.0	2.70			182	36	7.63	2.0	2.80			211	31	6.59	1.9	3.10			248	27	5.60	1.8	3.40	278	24	5.00	1.8	3.70			71	93	19.71	1.4	0.85			82	81	16.99	1.3	0.95			88	75	15.84	1.3	1.05	100	66	13.84	1.3	1.20	107	62	12.98	1.3	1.25	121	54	11.45	1.3	1.35	137	48	10.15	1.3	1.45	161	41	8.63	1.2	1.60	184	36	7.55	1.1	1.45	197	33	7.04	1.1	1.50	226	29	6.15	1.1	1.70	241	27	5.76	1.1	1.75	273	24	5.09	1.1	1.95	308	21	4.51	1.0	2.00	363	18	3.83	1.0	2.30																																																																																																																																																																																																																																																																																																																																																																																																																																																																																																																																												
77	86	18.08	2.5	1.40	GR17 GRF17	4P	89	74	15.63	2.4			1.60	105	63	13.28	2.3			1.90	117	56	11.86	2.3	2.10	137	48	10.13	2.2			2.30	148	45	9.41	2.1			2.50	170	39	8.16	2.0			2.70	182	36	7.63	2.0			2.80	211	31	6.59	1.9			3.10	248	27	5.60	1.8			3.40	278	24	5.00	1.8	3.70	71	93	19.71	1.4			0.85	82	81	16.99	1.3			0.95	88	75	15.84	1.3	1.05	100	66	13.84	1.3	1.20	107	62	12.98	1.3	1.25	121	54	11.45	1.3	1.35	137	48	10.15	1.3	1.45	161	41	8.63	1.2	1.60	184	36	7.55	1.1	1.45	197	33	7.04	1.1	1.50	226	29	6.15	1.1	1.70	241	27	5.76	1.1	1.75	273	24	5.09	1.1	1.95	308	21	4.51	1.0	2.00	363	18	3.83	1.0	2.30																																																																																																																																																																																																																																																																																																																																																																																																																																																																																																																																																		
105	63	13.28	2.3	1.90			117	56	11.86	2.3			2.10	137	48	10.13	2.2			2.30	148	45	9.41	2.1	2.50	170	39	8.16	2.0			2.70	182	36	7.63	2.0			2.80	211	31	6.59	1.9			3.10	248	27	5.60	1.8			3.40	278	24	5.00	1.8			3.70	71	93	19.71	1.4			0.85	82	81	16.99	1.3	0.95	88	75	15.84	1.3			1.05	100	66	13.84	1.3	1.20	107	62	12.98	1.3	1.25	121	54	11.45	1.3	1.35	137	48	10.15	1.3	1.45	161	41	8.63	1.2	1.60	184	36	7.55	1.1	1.45	197	33	7.04	1.1	1.50	226	29	6.15	1.1	1.70	241	27	5.76	1.1	1.75	273	24	5.09	1.1	1.95	308	21	4.51	1.0	2.00	363	18	3.83	1.0	2.30																																																																																																																																																																																																																																																																																																																																																																																																																																																																																																																																																														
117	56	11.86	2.3	2.10			137	48	10.13	2.2			2.30	148	45	9.41	2.1			2.50	170	39	8.16	2.0	2.70	182	36	7.63	2.0			2.80	211	31	6.59	1.9			3.10	248	27	5.60	1.8			3.40	278	24	5.00	1.8			3.70	71	93	19.71	1.4			0.85	82	81	16.99	1.3			0.95	88	75	15.84	1.3	1.05	100	66	13.84	1.3	1.20	107	62	12.98	1.3	1.25	121	54	11.45	1.3	1.35	137	48	10.15	1.3	1.45	161	41	8.63	1.2	1.60	184	36	7.55	1.1	1.45	197	33	7.04	1.1	1.50	226	29	6.15	1.1	1.70	241	27	5.76	1.1	1.75	273	24	5.09	1.1	1.95	308	21	4.51	1.0	2.00	363	18	3.83	1.0	2.30																																																																																																																																																																																																																																																																																																																																																																																																																																																																																																																																																																					
137	48	10.13	2.2	2.30			148	45	9.41	2.1			2.50	170	39	8.16	2.0			2.70	182	36	7.63	2.0	2.80	211	31	6.59	1.9			3.10	248	27	5.60	1.8			3.40	278	24	5.00	1.8			3.70	71	93	19.71	1.4			0.85	82	81	16.99	1.3			0.95	88	75	15.84	1.3	1.05	100	66	13.84	1.3	1.20	107	62	12.98	1.3	1.25	121	54	11.45	1.3	1.35	137	48	10.15	1.3	1.45	161	41	8.63	1.2	1.60	184	36	7.55	1.1	1.45	197	33	7.04	1.1	1.50	226	29	6.15	1.1	1.70	241	27	5.76	1.1	1.75	273	24	5.09	1.1	1.95	308	21	4.51	1.0	2.00	363	18	3.83	1.0	2.30																																																																																																																																																																																																																																																																																																																																																																																																																																																																																																																																																																												
148	45	9.41	2.1	2.50			170	39	8.16	2.0			2.70	182	36	7.63	2.0			2.80	211	31	6.59	1.9	3.10	248	27	5.60	1.8			3.40	278	24	5.00	1.8			3.70	71	93	19.71	1.4			0.85	82	81	16.99	1.3			0.95	88	75	15.84	1.3	1.05	100	66	13.84	1.3	1.20	107	62	12.98	1.3	1.25	121	54	11.45	1.3	1.35	137	48	10.15	1.3	1.45	161	41	8.63	1.2	1.60	184	36	7.55	1.1	1.45	197	33	7.04	1.1	1.50	226	29	6.15	1.1	1.70	241	27	5.76	1.1	1.75	273	24	5.09	1.1	1.95	308	21	4.51	1.0	2.00	363	18	3.83	1.0	2.30																																																																																																																																																																																																																																																																																																																																																																																																																																																																																																																																																																																			
170	39	8.16	2.0	2.70			182	36	7.63	2.0			2.80	211	31	6.59	1.9			3.10	248	27	5.60	1.8	3.40	278	24	5.00	1.8			3.70	71	93	19.71	1.4			0.85	82	81	16.99	1.3			0.95	88	75	15.84	1.3	1.05	100	66	13.84	1.3	1.20	107	62	12.98	1.3	1.25	121	54	11.45	1.3	1.35	137	48	10.15	1.3	1.45	161	41	8.63	1.2	1.60	184	36	7.55	1.1	1.45	197	33	7.04	1.1	1.50	226	29	6.15	1.1	1.70	241	27	5.76	1.1	1.75	273	24	5.09	1.1	1.95	308	21	4.51	1.0	2.00	363	18	3.83	1.0	2.30																																																																																																																																																																																																																																																																																																																																																																																																																																																																																																																																																																																										
182	36	7.63	2.0	2.80			211	31	6.59	1.9			3.10	248	27	5.60	1.8			3.40	278	24	5.00	1.8	3.70	71	93	19.71	1.4			0.85	82	81	16.99	1.3			0.95	88	75	15.84	1.3	1.05	100	66	13.84	1.3	1.20	107	62	12.98	1.3	1.25	121	54	11.45	1.3	1.35	137	48	10.15	1.3	1.45	161	41	8.63	1.2	1.60	184	36	7.55	1.1	1.45	197	33	7.04	1.1	1.50	226	29	6.15	1.1	1.70	241	27	5.76	1.1	1.75	273	24	5.09	1.1	1.95	308	21	4.51	1.0	2.00	363	18	3.83	1.0	2.30																																																																																																																																																																																																																																																																																																																																																																																																																																																																																																																																																																																																	
211	31	6.59	1.9	3.10			248	27	5.60	1.8			3.40	278	24	5.00	1.8			3.70	71	93	19.71	1.4	0.85	82	81	16.99	1.3			0.95	88	75	15.84	1.3	1.05	100	66	13.84	1.3	1.20	107	62	12.98	1.3	1.25	121	54	11.45	1.3	1.35	137	48	10.15	1.3	1.45	161	41	8.63	1.2	1.60	184	36	7.55	1.1	1.45	197	33	7.04	1.1	1.50	226	29	6.15	1.1	1.70	241	27	5.76	1.1	1.75	273	24	5.09	1.1	1.95	308	21	4.51	1.0	2.00	363	18	3.83	1.0	2.30																																																																																																																																																																																																																																																																																																																																																																																																																																																																																																																																																																																																								
248	27	5.60	1.8	3.40			278	24	5.00	1.8			3.70	71	93	19.71	1.4			0.85	82	81	16.99	1.3	0.95	88	75	15.84	1.3	1.05	100	66	13.84	1.3	1.20	107	62	12.98	1.3	1.25	121	54	11.45	1.3	1.35	137	48	10.15	1.3	1.45	161	41	8.63	1.2	1.60	184	36	7.55	1.1	1.45	197	33	7.04	1.1	1.50	226	29	6.15	1.1	1.70	241	27	5.76	1.1	1.75	273	24	5.09	1.1	1.95	308	21	4.51	1.0	2.00	363	18	3.83	1.0	2.30																																																																																																																																																																																																																																																																																																																																																																																																																																																																																																																																																																																																															
278	24	5.00	1.8	3.70			71	93	19.71	1.4			0.85	82	81	16.99	1.3	0.95	88	75	15.84	1.3	1.05	100	66	13.84	1.3	1.20	107	62	12.98	1.3	1.25	121	54	11.45	1.3	1.35	137	48	10.15	1.3	1.45	161	41	8.63	1.2	1.60	184	36	7.55	1.1	1.45	197	33	7.04	1.1	1.50	226	29	6.15	1.1	1.70	241	27	5.76	1.1	1.75	273	24	5.09	1.1	1.95	308	21	4.51	1.0	2.00	363	18	3.83	1.0	2.30																																																																																																																																																																																																																																																																																																																																																																																																																																																																																																																																																																																																																						
71	93	19.71	1.4	0.85			82	81	16.99	1.3	0.95	88	75	15.84	1.3	1.05	100	66	13.84	1.3	1.20	107	62	12.98	1.3	1.25	121	54	11.45	1.3	1.35	137	48	10.15	1.3	1.45	161	41	8.63	1.2	1.60	184	36	7.55	1.1	1.45	197	33	7.04	1.1	1.50	226	29	6.15	1.1	1.70	241	27	5.76	1.1	1.75	273	24	5.09	1.1	1.95	308	21	4.51	1.0	2.00	363	18	3.83	1.0	2.30																																																																																																																																																																																																																																																																																																																																																																																																																																																																																																																																																																																																																													
82	81	16.99	1.3	0.95	88	75	15.84	1.3	1.05	100	66	13.84	1.3	1.20	107	62	12.98	1.3	1.25	121	54	11.45	1.3	1.35	137	48	10.15	1.3	1.45	161	41	8.63	1.2	1.60	184	36	7.55	1.1	1.45	197	33	7.04	1.1	1.50	226	29	6.15	1.1	1.70	241	27	5.76	1.1	1.75	273	24	5.09	1.1	1.95	308	21	4.51	1.0	2.00	363	18	3.83	1.0	2.30																																																																																																																																																																																																																																																																																																																																																																																																																																																																																																																																																																																																																																				
88	75	15.84	1.3	1.05	100	66	13.84	1.3	1.20	107	62	12.98	1.3	1.25	121	54	11.45	1.3	1.35	137	48	10.15	1.3	1.45	161	41	8.63	1.2	1.60	184	36	7.55	1.1	1.45	197	33	7.04	1.1	1.50	226	29	6.15	1.1	1.70	241	27	5.76	1.1	1.75	273	24	5.09	1.1	1.95	308	21	4.51	1.0	2.00	363	18	3.83	1.0	2.30																																																																																																																																																																																																																																																																																																																																																																																																																																																																																																																																																																																																																																									
100	66	13.84	1.3	1.20	107	62	12.98	1.3	1.25	121	54	11.45	1.3	1.35	137	48	10.15	1.3	1.45	161	41	8.63	1.2	1.60	184	36	7.55	1.1	1.45	197	33	7.04	1.1	1.50	226	29	6.15	1.1	1.70	241	27	5.76	1.1	1.75	273	24	5.09	1.1	1.95	308	21	4.51	1.0	2.00	363	18	3.83	1.0	2.30																																																																																																																																																																																																																																																																																																																																																																																																																																																																																																																																																																																																																																														
107	62	12.98	1.3	1.25	121	54	11.45	1.3	1.35	137	48	10.15	1.3	1.45	161	41	8.63	1.2	1.60	184	36	7.55	1.1	1.45	197	33	7.04	1.1	1.50	226	29	6.15	1.1	1.70	241	27	5.76	1.1	1.75	273	24	5.09	1.1	1.95	308	21	4.51	1.0	2.00	363	18	3.83	1.0	2.30																																																																																																																																																																																																																																																																																																																																																																																																																																																																																																																																																																																																																																																			
121	54	11.45	1.3	1.35	137	48	10.15	1.3	1.45	161	41	8.63	1.2	1.60	184	36	7.55	1.1	1.45	197	33	7.04	1.1	1.50	226	29	6.15	1.1	1.70	241	27	5.76	1.1	1.75	273	24	5.09	1.1	1.95	308	21	4.51	1.0	2.00	363	18	3.83	1.0	2.30																																																																																																																																																																																																																																																																																																																																																																																																																																																																																																																																																																																																																																																								
137	48	10.15	1.3	1.45	161	41	8.63	1.2	1.60	184	36	7.55	1.1	1.45	197	33	7.04	1.1	1.50	226	29	6.15	1.1	1.70	241	27	5.76	1.1	1.75	273	24	5.09	1.1	1.95	308	21	4.51	1.0	2.00	363	18	3.83	1.0	2.30																																																																																																																																																																																																																																																																																																																																																																																																																																																																																																																																																																																																																																																													
161	41	8.63	1.2	1.60	184	36	7.55	1.1	1.45	197	33	7.04	1.1	1.50	226	29	6.15	1.1	1.70	241	27	5.76	1.1	1.75	273	24	5.09	1.1	1.95	308	21	4.51	1.0	2.00	363	18	3.83	1.0	2.30																																																																																																																																																																																																																																																																																																																																																																																																																																																																																																																																																																																																																																																																		
184	36	7.55	1.1	1.45	197	33	7.04	1.1	1.50	226	29	6.15	1.1	1.70	241	27	5.76	1.1	1.75	273	24	5.09	1.1	1.95	308	21	4.51	1.0	2.00	363	18	3.83	1.0	2.30																																																																																																																																																																																																																																																																																																																																																																																																																																																																																																																																																																																																																																																																							
197	33	7.04	1.1	1.50	226	29	6.15	1.1	1.70	241	27	5.76	1.1	1.75	273	24	5.09	1.1	1.95	308	21	4.51	1.0	2.00	363	18	3.83	1.0	2.30																																																																																																																																																																																																																																																																																																																																																																																																																																																																																																																																																																																																																																																																												
226	29	6.15	1.1	1.70	241	27	5.76	1.1	1.75	273	24	5.09	1.1	1.95	308	21	4.51	1.0	2.00	363	18	3.83	1.0	2.30																																																																																																																																																																																																																																																																																																																																																																																																																																																																																																																																																																																																																																																																																	
241	27	5.76	1.1	1.75	273	24	5.09	1.1	1.95	308	21	4.51	1.0	2.00	363	18	3.83	1.0	2.30																																																																																																																																																																																																																																																																																																																																																																																																																																																																																																																																																																																																																																																																																						
273	24	5.09	1.1	1.95	308	21	4.51	1.0	2.00	363	18	3.83	1.0	2.30																																																																																																																																																																																																																																																																																																																																																																																																																																																																																																																																																																																																																																																																																											
308	21	4.51	1.0	2.00	363	18	3.83	1.0	2.30																																																																																																																																																																																																																																																																																																																																																																																																																																																																																																																																																																																																																																																																																																
363	18	3.83	1.0	2.30																																																																																																																																																																																																																																																																																																																																																																																																																																																																																																																																																																																																																																																																																																					

选型参数表
(恒功率)

Selection Table
(Constant Power)

n_a [r/min]	Ma [Nm]	i	F_{ra} [kN]	f_B	机型号 Type size	极数 Pole	n_a [r/min]	Ma [Nm]	i	F_{ra} [kN]	f_B	机型号 Type size	极数 Pole
0.75kW							1.1kW						
247	27	11.45	1.1	2.70	GR17 GRF17	2P	0.63	15000	2215	48	0.85	GR147R77	4P
279	24	10.15	1.1	2.90			0.72	13192	1948	59	1.00	GRF147R77	
328	20	8.63	1.1	3.10			0.83	11485	1696	62	1.15		
375	18	7.55	1.0	2.80			0.92	10341	1527	64	1.25	GR147R77 GRF147R77	
402	16	7.04	1.0	2.90			1.1	9020	1332	66	1.45		
460	14	6.15	1.0	3.30			1.2	7916	1169	67	1.65		
491	13	5.76	0.9	3.50			1.4	6962	1028	68	1.85		
556	12	5.09	0.9	3.80			1.6	5919	874	69	2.20		
627	11	4.51	0.9	4.00			1.8	5221	771	69	2.50		
739	8.9	3.83	0.8	4.40	2.0	4625	683	70	2.80				
201	35	4.53	4.0	2.30	GRX67 GRXF67	6P	1.0	9521	1406	42	0.85	GR137R77 GRF137R77	4P
212	33	4.30	4.0	2.30			1.1	8594	1269	49	0.95		
241	29	3.77	3.8	2.90			1.3	7564	1117	52	1.05		
284	25	3.20	3.6	3.90			1.3	7144	1055	52	1.10		
268	26	5.18	3.7	2.80	GRX67 GRXF67	4P	1.6	6081	898	54	1.30		
307	23	4.53	3.6	3.50			1.0	9515	1405	42	0.85	GR137R77 GRF137R77	
323	22	4.30	3.5	3.60			1.1	8350	1233	50	0.95		
369	19	3.77	3.4	4.40			1.3	7422	1096	52	1.10		
434	16	3.20	3.2	6.00			1.5	6481	957	53	1.25		
481	15	2.89	3.1	7.10			1.7	5661	836	55	1.40		
547	13	2.54	3.0	8.90			1.9	4971	734	56	1.60		
579	12	2.40	2.9	9.80			2.2	4280	632	56	1.85		
681	10	2.04	2.8	13			2.5	3813	563	57	2.10		
747	9.3	1.86	2.7	13	2.8	3339	493	57	2.40				
863	8.1	1.61	2.6	14	2.0	4856	717	19	0.90	GR107R77 GRF107R77	4P		
240	29	3.79	3.1	2.30	GRX57 GRXF57	6P	2.3	4158	614	29	1.05	GR107R77 GRF107R77	4P
256	27	3.55	3.0	2.40			2.6	3684	544	31	1.15		
290	24	3.14	2.9	2.60			2.8	3332	492	32	1.30		
313	22	2.91	2.9	2.90			3.4	2824	417	34	1.50		
345	20	2.64	2.8	3.30			3.8	2499	369	34	1.70		
320	22	4.35	2.8	3.00	GRX57 GRXF57	4P	4.3	2187	323	35	1.95		
367	19	3.79	2.7	3.50			4.9	1930	285	35	2.25		
392	18	3.55	2.7	3.80			5.5	1713	253	35	2.50		
443	16	3.14	2.6	4.00			3.2	2919	431	20	1.05	GR97R57 GRF97R57	
478	15	2.91	2.5	4.40			3.7	2567	379	23	1.15		
527	13	2.64	2.4	5.00			4.2	2275	336	24	1.30		
586	12	2.37	2.3	5.60			4.7	2005	296	25	1.50		
681	10	2.04	2.2	6.50			5.6	1686	249	26	1.80		
724	9.6	1.92	2.2	6.90			6.0	1585	234	26	1.90		
842	8.3	1.65	2.1	8.00	6.7	1415	209	26	2.10				
939	7.4	1.48	2.0	8.80	5.2	1822	269	13	0.85	GR87R57	4P		
1069	6.5	1.30	1.9	9.30	5.9	1605	237	16	0.95	GRF87R57			
					6.7	1422	210	17	1.10				
1.1kW							5.4	1740	257	15	0.90	GR87R57	4P
0.25	42710	5692	128	0.85	GR177R97 GRF177R97	4P	6.0	1578	233	16	1.00	GRF87R57	
0.28	37931	5055	128	0.95			7.1	1327	196	17	1.15		
0.31	33909	4519	128	1.10			2.7	3632	251.15	30	1.10	GR107 GRF107	
0.34	30487	4063	128	1.20			3.0	3326	229.95	31	1.20		
0.40	26465	3527	128	1.40			3.4	2938	203.16	33	1.35		
0.44	23914	3187	128	1.55			4.0	2493	172.34	34	1.60		
0.51	20792	2771	128	1.75			3.6	2804	255.71	20	1.05	GR97 GRF97	
0.55	19142	2551	128	1.90			3.8	2646	241.25	21	1.10		
0.61	17123	2282	128	2.15			4.2	2372	216.28	23	1.20		
0.68	15397	2052	128	2.40			4.9	2043	186.30	25	1.40		
0.76	13777	1836	128	2.65			5.5	1823	255.71	25	1.55	GR97 GRF97	
0.52	18074	2669	114	1.00			5.8	1720	241.25	26	1.65		
0.60	15792	2332	114	1.15	6.5	1542	216.28	26	1.85				
0.67	14113	2084	114	1.30	7.5	1328	186.30	26	2.20				
0.75	12704	1876	114	1.40	8.2	1212	170.02	27	2.30				
0.83	11357	1677	114	1.60	9.3	1075	150.78	27	2.70				
0.97	9779	1444	114	1.85	11	904	126.75	27	3.20				
1.1	8736	1290	114	2.05	12	830	116.48	27	3.40				
1.2	7632	1127	114	2.35									

选型参数表
(恒功率)

Selection Table
(Constant Power)

n_a [r/min]	M_a [Nm]	i	F_{ra} [kN]	f_B	机型号 Type size	极数 Pole	n_a [r/min]	M_a [Nm]	i	F_{ra} [kN]	f_B	机型号 Type size	极数 Pole								
1.1kW							1.1kW														
6.4	1550	217.48	16	0.95	GR87 GRF87	4P	64	155	21.81	4.0	1.85	GR47 GRF47	4P								
6.8	1473	206.6	16	1.00																	
7.7	1301	182.56	17	1.15																	
9.0	1112	156.01	18	1.35																	
9.8	1020	143.03	19	1.45																	
11	895	125.51	19	1.65																	
12	848	118.94	19	1.75																	
13	742	104.1	19	2.00																	
15	669	93.79	19	2.20																	
17	586	82.27	19	2.50																	
19	520	72.88	19	2.80																	
22	456	63.96	19	3.20																	
23	432	60.61	19	3.40																	
26	378	53.05	19	3.90																	
12	866	121.42	8.5	0.90			GR77 GRF77	4P	43	224	32.40			2.8	0.80	GR37 GRF37	4P				
14	734	102.97	10	1.05																	
15	663	92.97	10	1.20																	
17	583	81.80	11	1.35																	
18	551	77.24	11	1.40																	
21	469	65.77	11	1.65																	
24	411	57.68	12	1.90																	
27	371	52.07	12	2.10																	
31	327	45.81	12	2.40																	
32	308	43.26	12	2.50																	
38	263	36.83	12	3.00																	
42	239	33.47	12	3.30																	
16	614	86.11	6.5	0.95	GR67 GRF67	4P			72	134	19.35	2.3	0.90	GR27 GRF27	4P						
19	529	74.17	7.6	1.10																	
20	497	69.75	8.0	1.15																	
23	437	61.26	8.5	1.30																	
25	406	56.89	8.7	1.40																	
27	368	51.56	8.9	1.55																	
30	330	46.29	9.2	1.75																	
35	284	39.88	9.4	1.95																	
37	267	37.50	9.5	2.00																	
43	230	32.27	10	2.20																	
49	206	28.83	10	2.40																	
50	201	28.13	10	2.60			GR67 GRF67	4P	77	125	18.08	2.3	0.95			GR27 GRF27	4P				
52	190	26.72	10	2.70																	
60	167	23.44	9.2	3.20																	
70	142	19.89	8.8	4.00																	
20	493	69.23	5.7	0.85					GR57 GRF57	4P	90	108	15.60					2.2	1.10	GR27 GRF27	2P
22	462	64.85	6.5	0.90																	
24	408	57.29	6.4	1.05																	
26	379	53.22	6.3	1.15																	
29	344	48.23	6.2	1.25																	
32	309	43.30	6.0	1.40																	
38	266	37.30	5.8	1.60																	
40	250	35.07	5.8	1.70																	
46	215	30.18	5.6	2.00																	
52	192	26.97	5.4	2.20																	
53	188	26.31	5.4	2.30	GR57 GRF57	4P					144	67	19.71	1.1	1.10			GR17 GRF17	2P		
56	178	24.99	5.3	2.40																	
64	156	21.93	5.1	2.70																	
75	133	18.60	4.9	3.20																	
83	120	16.79	4.8	3.60																	
29	340	47.75	3.3	0.85			GR47 GRF47	4P			167	58	16.99	1.1	1.30	GR17 GRF17	2P				
33	306	42.87	4.6	0.95																	
38	263	36.93	4.5	1.10																	
40	248	34.73	4.4	1.15																	
47	213	29.88	4.3	1.35																	
52	190	26.70	4.2	1.50																	
59	168	23.59	4.1	1.70																	
60	166	23.28	4.1	1.70																	
328	29	8.63	1.0	2.10																	
375	26	7.55	0.9	1.90																	
402	24	7.04	0.9	2.00																	
460	21	6.15	0.9	2.30																	
491	20	5.76	0.9	2.40																	
556	17	5.09	0.9	2.60																	
627	15	4.51	0.8	2.70																	
739	13	3.83	0.8	3.00																	

选型参数表
(恒功率)

Selection Table
(Constant Power)

n_a [r/min]	Ma [Nm]	i	F_{ra} [kN]	f_B	机型号 Type size	极数 Pole	n_a [r/min]	Ma [Nm]	i	F_{ra} [kN]	f_B	机型号 Type size	极数 Pole																																																																																																																																																																																																																																																																																																																																																																																																																																																																																																																																																																																																																																																																																			
1.1kW							1.5kW																																																																																																																																																																																																																																																																																																																																																																																																																																																																																																																																																																																																																																																																																									
249	41	5.63	5.4	2.60	GRX77	4P	1.3	9742	1055	39	0.80	GR137R77 GRF137R77	4P																																																																																																																																																																																																																																																																																																																																																																																																																																																																																																																																																																																																																																																																																			
262	39	5.35	5.3	2.60	GRXF77		296	35	4.73	5.1	3.50				201	51	4.53	3.9	1.60	GRX67	6P	2.0	6529	707	53	1.25	GR137R77 GRF137R77	4P	212	48	4.30	3.9	1.65	GRXF67	241	42	3.77	3.7	2.00		309	33	4.53	3.5	2.40	GRX67 GRXF67	4P	2.3	5679	615	55	1.40	326	31	4.30	3.4	2.50	1.3	10121	1096	31	0.80	371	28	3.77	3.3	3.10	1.5	8837	957	48	0.90	438	23	3.20	3.1	4.20	1.7	7720	836	51	1.05	484	21	2.89	3.0	4.90	1.9	6778	734	53	1.20	551	19	2.54	2.9	6.20	2.2	5836	632	55	1.35	583	18	2.40	2.9	6.80	2.5	5199	563	55	1.55	686	15	2.04	2.7	8.80	2.8	4553	493	56	1.75	753	14	1.86	2.6	9.10	3.3	3971	430	57	2.00	870	12	1.61	2.5	9.40	3.6	3546	384	57	2.25	1000	10	1.40	2.4	9.90	4.3	3001	325	57	2.65	240	43	3.79	3.0	1.60	GRX57 GRXF57	6P	2.7	4876	528	20	0.90	GR107R77 GRF107R77	4P	256	40	3.55	2.9	1.70	2.6	5024	544	14	0.85	GR107R77 GRF107R77	4P	290	35	3.14	2.8	1.80	2.8	4543	492	27	0.95	313	33	2.91	2.8	2.00	3.4	3851	417	30	1.10	345	30	2.64	2.7	2.30	3.8	3408	369	32	1.25	GR107R77 GRF107R77	4P	369	28	3.79	2.6	2.40	4.3	2983	323	33	1.45	394	26	3.55	2.6	2.60	3.0	4331	469	27	1.00	GR107R77 GRF107R77	4P	446	23	3.14	2.5	2.80	4.2	3103	336	14	0.95	GR97R57 GRF97R57	4P	481	21	2.91	2.4	3.10	4.7	2733	296	22	1.10	530	19	2.64	2.4	3.50	5.6	2299	249	24	1.30	591	17	2.37	2.3	3.90	6.0	2161	234	25	1.40	686	15	2.04	2.2	4.50	6.7	1930	209	25	1.55	729	14	1.92	2.2	4.80	3.0	4602	229.95	25	0.90	GR107 GRF107	8P	848	12	1.65	2.1	5.60	3.3	4066	203.16	29	1.05	946	11	1.48	2.0	6.10	3.9	3449	172.34	31	1.20	1077	9.5	1.30	1.9	6.40	4.3	3176	158.68	32	1.30	3.7	3636	251.15	30	1.10	0.31	46239	4519	128	0.80	GR177R97 GRF177R97	4P	4.1	3329	229.95	31	1.20	GR107 GRF107	6P	0.34	41573	4063	128	0.90	4.6	2941	203.16	33	1.35	0.40	36089	3527	128	1.00	5.5	2495	172.34	34	1.60	0.44	32610	3187	128	1.10	5.9	2297	158.68	34	1.75	0.51	28353	2771	128	1.30	6.6	2053	141.83	35	1.95	0.55	26102	2551	128	1.40	5.5	2486	255.71	22	1.15	GR97 GRF97	4P	0.61	23350	2282	128	1.55	5.8	2345	241.25	23	1.20	0.68	20996	2052	128	1.75	6.5	2102	216.28	24	1.35	0.76	18786	1836	128	1.95	7.5	1811	186.30	25	1.60	0.98	14601	1427	128	2.50	8.2	1653	170.02	26	1.75	1.14	12514	1223	128	2.90	9.3	1466	150.78	26	1.95	0.60	21535	2332	114	0.85	11	1232	126.75	27	2.30	GR87 GRF87	4P	0.67	19245	2084	114	0.95	12	1132	116.48	27	2.50	0.75	17324	1876	114	1.05	14	1005	103.44	27	2.80	0.83	15486	1677	114	1.15	15	899	92.48	27	3.20	0.97	13335	1444	114	1.35	7.7	1775	182.56	11	0.95	1.1	11913	1290	114	1.50	9.0	1517	156.01	16	1.00	GR87 GRF87	4P	1.2	10407	1127	114	1.75	9.8	1390	143.03	17	1.05	1.4	9308	1008	114	1.95	11	1220	125.51	18	1.20	3.3	3943	427	70	3.30	12	1156	118.94	18	1.30	GR87 GRF87	4P	3.9	3352	363	70	3.90	13	1012	104.10	19	1.45	0.83	15662	1696	39	0.85	15	912	93.79	19	1.65	0.92	14101	1527	57	0.90	17	800	82.27	19	1.85	1.1	12300	1332	61	1.05	19	708	72.88	19	2.10	1.2	10795	1169	63	1.20	22	622	63.96	19	2.40	1.4	9493	1028	65	1.35	23	589	60.61	19	2.50	1.6	8071	874	67	1.60	26	516	53.05	19	2.90	1.8	7120	771	68	1.85	29	465	47.79	19	3.20	2.0	6307	683	68	2.05	33	407	41.92	19	3.70	2.3	5624	609	69	2.30	38	360	37.00	19	4.10	2.6	5070	549	69	2.55																								
296	35	4.73	5.1	3.50			201	51	4.53	3.9	1.60			GRX67	6P	2.0	6529	707	53	1.25		GR137R77 GRF137R77	4P	212	48	4.30			3.9	1.65	GRXF67	241	42	3.77	3.7	2.00		309	33	4.53	3.5	2.40	GRX67 GRXF67	4P	2.3			5679	615	55	1.40	326	31	4.30	3.4	2.50	1.3	10121	1096	31	0.80	371	28	3.77	3.3	3.10	1.5	8837	957	48	0.90	438	23	3.20	3.1	4.20	1.7	7720	836	51	1.05	484	21	2.89	3.0	4.90	1.9	6778	734	53	1.20	551	19	2.54	2.9	6.20	2.2	5836	632	55	1.35	583	18	2.40	2.9	6.80	2.5	5199	563	55	1.55	686	15	2.04	2.7	8.80	2.8	4553	493	56	1.75	753	14	1.86	2.6	9.10	3.3	3971	430	57	2.00	870	12	1.61	2.5	9.40	3.6	3546	384	57	2.25	1000	10	1.40	2.4	9.90	4.3	3001	325	57	2.65	240	43	3.79	3.0	1.60	GRX57 GRXF57			6P	2.7	4876	528	20	0.90	GR107R77 GRF107R77	4P	256	40	3.55	2.9	1.70	2.6	5024	544	14			0.85	GR107R77 GRF107R77	4P	290	35	3.14	2.8	1.80	2.8	4543	492	27	0.95	313	33	2.91	2.8	2.00	3.4	3851	417	30	1.10	345	30	2.64	2.7	2.30	3.8	3408			369	32	1.25	GR107R77 GRF107R77	4P	369	28	3.79	2.6	2.40	4.3	2983	323	33	1.45	394	26	3.55	2.6	2.60	3.0	4331	469	27	1.00	GR107R77 GRF107R77	4P	446	23	3.14	2.5	2.80			4.2	3103	336	14	0.95	GR97R57 GRF97R57	4P	481	21	2.91	2.4	3.10	4.7	2733	296	22	1.10	530	19	2.64	2.4	3.50	5.6	2299	249	24	1.30	591	17	2.37	2.3	3.90	6.0	2161	234	25	1.40	686	15	2.04	2.2	4.50	6.7	1930	209	25	1.55	729	14	1.92			2.2	4.80	3.0	4602	229.95	25	0.90	GR107 GRF107	8P	848	12	1.65	2.1	5.60	3.3	4066	203.16	29	1.05	946	11	1.48	2.0	6.10	3.9	3449	172.34	31	1.20	1077	9.5	1.30	1.9	6.40	4.3	3176	158.68	32	1.30	3.7			3636	251.15	30	1.10	0.31			46239	4519	128	0.80	GR177R97 GRF177R97	4P	4.1	3329	229.95	31	1.20	GR107 GRF107	6P	0.34	41573	4063	128	0.90	4.6	2941	203.16	33	1.35	0.40	36089	3527	128	1.00	5.5	2495	172.34	34	1.60	0.44	32610	3187	128	1.10	5.9	2297	158.68	34	1.75	0.51	28353	2771	128	1.30	6.6	2053			141.83	35	1.95	0.55	26102	2551	128	1.40	5.5	2486	255.71	22	1.15	GR97 GRF97	4P	0.61	23350	2282	128	1.55	5.8	2345	241.25	23	1.20	0.68	20996	2052	128	1.75	6.5	2102	216.28	24	1.35	0.76	18786	1836	128	1.95	7.5	1811	186.30	25	1.60	0.98	14601	1427	128	2.50	8.2	1653	170.02	26	1.75	1.14	12514	1223	128	2.90			9.3	1466	150.78	26	1.95	0.60	21535	2332	114	0.85	11	1232	126.75	27	2.30	GR87 GRF87	4P	0.67	19245	2084	114	0.95	12	1132	116.48	27	2.50	0.75	17324	1876	114	1.05	14	1005	103.44	27	2.80	0.83	15486	1677	114	1.15	15	899	92.48	27	3.20	0.97	13335	1444			114	1.35	7.7	1775	182.56	11	0.95	1.1	11913	1290	114	1.50	9.0	1517	156.01	16	1.00	GR87 GRF87	4P	1.2	10407	1127	114	1.75	9.8	1390	143.03	17	1.05	1.4			9308	1008	114	1.95	11	1220	125.51	18	1.20	3.3	3943	427	70	3.30	12	1156	118.94	18	1.30	GR87 GRF87	4P	3.9	3352	363	70	3.90	13	1012	104.10	19	1.45	0.83	15662	1696	39	0.85	15	912	93.79	19	1.65	0.92	14101	1527	57	0.90	17	800	82.27	19	1.85	1.1	12300	1332	61	1.05	19	708	72.88	19	2.10	1.2	10795	1169	63	1.20	22	622	63.96	19	2.40	1.4	9493	1028	65	1.35	23	589	60.61	19	2.50	1.6	8071	874	67	1.60	26	516	53.05	19	2.90	1.8	7120	771	68	1.85	29	465	47.79	19	3.20	2.0	6307	683	68	2.05	33	407	41.92	19	3.70	2.3	5624	609	69	2.30	38	360	37.00	19	4.10	2.6	5070	549	69	2.55			
201	51	4.53	3.9	1.60	GRX67	6P	2.0	6529	707	53	1.25	GR137R77 GRF137R77	4P																																																																																																																																																																																																																																																																																																																																																																																																																																																																																																																																																																																																																																																																																			
212	48	4.30	3.9	1.65	GRXF67		241	42	3.77	3.7	2.00					309	33	4.53	3.5	2.40	GRX67 GRXF67			4P	2.3	5679	615	55	1.40	326	31	4.30	3.4	2.50	1.3	10121	1096	31	0.80	371	28	3.77			3.3			3.10	1.5	8837	957	48	0.90	438	23	3.20	3.1	4.20	1.7	7720	836	51	1.05	484	21	2.89	3.0	4.90	1.9	6778	734	53	1.20	551	19	2.54	2.9	6.20	2.2	5836	632	55	1.35	583	18	2.40	2.9	6.80	2.5	5199	563	55	1.55	686	15	2.04	2.7	8.80	2.8	4553	493	56	1.75	753	14	1.86	2.6	9.10	3.3	3971	430	57	2.00	870	12	1.61	2.5	9.40	3.6	3546	384	57	2.25	1000	10	1.40	2.4	9.90	4.3	3001	325	57	2.65	240	43	3.79	3.0	1.60	GRX57 GRXF57	6P	2.7	4876	528	20	0.90	GR107R77 GRF107R77	4P	256	40	3.55	2.9	1.70	2.6	5024	544	14					0.85	GR107R77 GRF107R77	4P	290	35	3.14	2.8	1.80	2.8	4543	492	27	0.95	313	33	2.91	2.8	2.00	3.4			3851	417	30	1.10	345	30	2.64	2.7	2.30	3.8	3408	369	32	1.25	GR107R77 GRF107R77	4P	369	28	3.79	2.6	2.40	4.3	2983	323	33	1.45	394	26	3.55	2.6	2.60	3.0	4331	469	27	1.00	GR107R77 GRF107R77	4P	446	23	3.14	2.5	2.80	4.2	3103	336	14	0.95	GR97R57 GRF97R57	4P	481	21	2.91	2.4	3.10	4.7	2733	296	22	1.10	530			19	2.64	2.4	3.50	5.6			2299	249	24	1.30	591	17	2.37	2.3	3.90	6.0	2161	234	25	1.40	686	15	2.04	2.2	4.50	6.7	1930	209	25	1.55	729	14	1.92	2.2	4.80	3.0	4602	229.95	25	0.90	GR107 GRF107	8P	848	12	1.65	2.1	5.60	3.3	4066	203.16	29	1.05	946	11	1.48	2.0	6.10	3.9			3449	172.34	31	1.20	1077	9.5	1.30	1.9	6.40	4.3	3176	158.68	32	1.30	3.7	3636	251.15	30	1.10	0.31	46239	4519	128	0.80	GR177R97 GRF177R97	4P	4.1	3329	229.95	31	1.20			GR107 GRF107	6P	0.34	41573	4063	128	0.90	4.6	2941	203.16	33			1.35	0.40	36089	3527	128			1.00	5.5	2495	172.34	34	1.60	0.44	32610	3187	128	1.10	5.9	2297	158.68	34	1.75	0.51	28353	2771	128	1.30	6.6	2053	141.83	35	1.95	0.55	26102	2551	128	1.40	5.5	2486	255.71	22	1.15	GR97 GRF97			4P	0.61	23350	2282	128	1.55	5.8	2345	241.25	23	1.20	0.68	20996			2052	128	1.75	6.5	2102	216.28	24	1.35	0.76	18786	1836	128	1.95	7.5	1811	186.30	25	1.60	0.98	14601	1427	128	2.50	8.2	1653	170.02	26	1.75	1.14	12514	1223	128	2.90	9.3	1466	150.78	26	1.95	0.60	21535	2332	114	0.85	11	1232			126.75	27	2.30	GR87 GRF87	4P	0.67	19245	2084	114	0.95	12	1132	116.48	27	2.50			0.75	17324	1876	114	1.05	14	1005	103.44	27	2.80	0.83	15486	1677	114	1.15	15	899	92.48	27	3.20	0.97	13335	1444	114	1.35	7.7	1775	182.56	11	0.95	1.1	11913	1290	114	1.50	9.0	1517	156.01	16	1.00	GR87 GRF87	4P	1.2	10407	1127	114	1.75	9.8	1390	143.03	17	1.05			1.4	9308	1008	114	1.95	11	1220	125.51	18	1.20	3.3			3943	427	70	3.30	12	1156	118.94	18	1.30	GR87 GRF87	4P	3.9	3352	363	70	3.90	13	1012	104.10			19	1.45	0.83	15662	1696	39	0.85	15	912	93.79	19	1.65	0.92	14101	1527	57	0.90	17	800	82.27	19	1.85	1.1	12300	1332	61	1.05	19	708	72.88	19	2.10	1.2	10795	1169	63	1.20	22	622	63.96	19	2.40	1.4	9493	1028	65	1.35	23	589	60.61	19	2.50	1.6	8071	874	67	1.60	26	516	53.05	19	2.90	1.8	7120	771	68	1.85	29	465	47.79	19	3.20	2.0	6307	683	68	2.05	33	407	41.92	19	3.70	2.3	5624	609	69	2.30	38	360	37.00	19	4.10	2.6	5070	549	69	2.55											
241	42	3.77	3.7	2.00			309	33	4.53	3.5	2.40			GRX67 GRXF67	4P	2.3	5679	615	55	1.40		326	31		4.30	3.4	2.50	1.3	10121	1096	31	0.80	371	28	3.77	3.3	3.10	1.5	8837	957	48	0.90			438			23	3.20	3.1	4.20	1.7	7720	836	51	1.05	484	21	2.89	3.0	4.90	1.9	6778	734	53	1.20	551	19	2.54	2.9	6.20	2.2	5836	632	55	1.35	583	18	2.40	2.9	6.80	2.5	5199	563	55	1.55	686	15	2.04	2.7	8.80	2.8	4553	493	56	1.75	753	14	1.86	2.6	9.10	3.3	3971	430	57	2.00	870	12	1.61	2.5	9.40	3.6	3546	384	57	2.25	1000	10	1.40	2.4	9.90	4.3	3001	325	57	2.65	240	43	3.79	3.0	1.60	GRX57 GRXF57	6P	2.7	4876	528	20	0.90			GR107R77 GRF107R77	4P	256	40	3.55	2.9	1.70	2.6	5024	544	14	0.85	GR107R77 GRF107R77	4P	290	35					3.14			2.8	1.80	2.8	4543	492	27	0.95	313	33	2.91	2.8	2.00	3.4	3851	417	30	1.10	345	30	2.64	2.7	2.30	3.8	3408	369	32	1.25	GR107R77 GRF107R77	4P	369	28	3.79			2.6	2.40	4.3	2983	323	33	1.45	394	26	3.55	2.6	2.60	3.0	4331	469	27	1.00	GR107R77 GRF107R77	4P	446	23	3.14	2.5	2.80	4.2	3103	336	14	0.95	GR97R57 GRF97R57	4P	481			21	2.91	2.4	3.10	4.7	2733	296	22	1.10	530	19			2.64	2.4	3.50	5.6	2299			249	24	1.30	591	17	2.37	2.3	3.90	6.0	2161	234	25	1.40	686	15	2.04	2.2	4.50	6.7	1930	209	25	1.55	729	14	1.92	2.2	4.80	3.0	4602	229.95	25	0.90	GR107 GRF107			8P	848	12	1.65	2.1	5.60	3.3	4066	203.16	29	1.05	946	11	1.48	2.0	6.10	3.9	3449	172.34	31	1.20	1077	9.5	1.30	1.9	6.40	4.3	3176	158.68	32	1.30	3.7	3636	251.15	30	1.10	0.31	46239	4519	128	0.80	GR177R97 GRF177R97			4P	4.1	3329	229.95	31					1.20	GR107 GRF107	6P	0.34	41573	4063	128	0.90	4.6			2941	203.16	33	1.35	0.40	36089	3527	128	1.00	5.5	2495	172.34	34	1.60	0.44	32610	3187	128	1.10	5.9	2297	158.68	34	1.75	0.51	28353	2771	128	1.30	6.6	2053	141.83	35	1.95	0.55	26102	2551	128	1.40	5.5	2486	255.71	22					1.15	GR97 GRF97	4P	0.61	23350	2282	128	1.55	5.8	2345	241.25	23			1.20	0.68	20996	2052	128	1.75	6.5	2102	216.28	24	1.35	0.76	18786	1836	128	1.95	7.5	1811	186.30	25	1.60	0.98	14601	1427	128	2.50	8.2	1653	170.02	26	1.75	1.14	12514	1223	128	2.90	9.3	1466	150.78	26	1.95	0.60	21535	2332	114			0.85	11	1232			126.75	27	2.30	GR87 GRF87	4P	0.67	19245	2084	114	0.95			12	1132	116.48	27	2.50	0.75	17324	1876	114	1.05	14	1005	103.44	27	2.80	0.83	15486	1677	114	1.15	15	899	92.48	27	3.20	0.97	13335	1444	114	1.35	7.7	1775	182.56	11	0.95	1.1	11913	1290	114	1.50			9.0	1517	156.01	16	1.00	GR87 GRF87	4P	1.2	10407	1127	114	1.75	9.8	1390	143.03	17	1.05	1.4	9308	1008	114	1.95	11			1220	125.51	18	1.20	3.3	3943	427	70	3.30			12	1156	118.94	18	1.30	GR87 GRF87	4P	3.9			3352	363	70	3.90	13	1012	104.10	19	1.45	0.83	15662	1696	39	0.85	15	912	93.79	19	1.65	0.92	14101	1527	57	0.90	17	800	82.27	19	1.85	1.1	12300	1332	61	1.05	19	708	72.88	19	2.10	1.2	10795	1169	63	1.20	22	622	63.96	19	2.40	1.4	9493	1028	65	1.35	23	589	60.61	19	2.50	1.6	8071	874	67	1.60	26	516	53.05	19	2.90	1.8	7120	771	68	1.85	29	465	47.79	19	3.20	2.0	6307	683	68	2.05	33	407	41.92	19	3.70	2.3	5624	609	69	2.30	38	360	37.00	19	4.10	2.6	5070	549	69	2.55				
309	33	4.53	3.5	2.40	GRX67 GRXF67	4P	2.3	5679	615	55	1.40	326	31			4.30	3.4	2.50	1.3	10121		1096	31		0.80	371	28	3.77	3.3	3.10	1.5	8837	957	48	0.90	438	23	3.20	3.1	4.20	1.7	7720			836			51	1.05	484	21	2.89	3.0	4.90	1.9	6778	734	53	1.20	551	19	2.54	2.9	6.20	2.2	5836	632	55	1.35	583	18	2.40	2.9	6.80	2.5	5199	563	55	1.55	686	15	2.04	2.7	8.80	2.8	4553	493	56	1.75	753	14	1.86	2.6	9.10	3.3	3971	430	57	2.00	870	12	1.61	2.5	9.40	3.6	3546	384	57	2.25	1000	10	1.40	2.4	9.90	4.3	3001	325	57	2.65	240	43	3.79	3.0	1.60	GRX57 GRXF57	6P	2.7	4876	528	20	0.90			GR107R77 GRF107R77	4P	256	40	3.55			2.9	1.70	2.6	5024	544	14	0.85	GR107R77 GRF107R77	4P	290	35	3.14			2.8	1.80		2.8	4543		492			27	0.95	313	33	2.91	2.8	2.00	3.4	3851	417	30	1.10	345	30	2.64	2.7	2.30	3.8	3408	369	32	1.25	GR107R77 GRF107R77	4P	369	28	3.79			2.6	2.40	4.3	2983	323	33	1.45	394	26	3.55	2.6	2.60	3.0	4331	469	27	1.00	GR107R77 GRF107R77	4P	446	23	3.14	2.5	2.80	4.2	3103	336	14	0.95	GR97R57 GRF97R57	4P	481	21	2.91			2.4			3.10	4.7	2733	296	22	1.10	530	19	2.64	2.4	3.50	5.6	2299	249	24	1.30	591	17			2.37	2.3	3.90	6.0	2161	234	25	1.40	686	15	2.04	2.2	4.50	6.7	1930	209	25	1.55	729	14	1.92	2.2	4.80	3.0	4602	229.95	25	0.90	GR107 GRF107	8P	848	12	1.65					2.1	5.60	3.3	4066	203.16	29	1.05	946	11	1.48	2.0	6.10	3.9	3449	172.34	31	1.20	1077	9.5	1.30	1.9	6.40	4.3	3176	158.68	32	1.30	3.7	3636	251.15	30	1.10	0.31	46239	4519	128	0.80	GR177R97 GRF177R97	4P	4.1					3329	229.95	31	1.20					GR107 GRF107			6P	0.34	41573	4063	128	0.90			4.6	2941	203.16	33	1.35	0.40	36089	3527	128	1.00	5.5	2495	172.34	34	1.60	0.44	32610	3187	128	1.10	5.9	2297	158.68	34	1.75	0.51	28353	2771	128	1.30	6.6	2053	141.83	35	1.95	0.55	26102	2551	128	1.40	5.5	2486	255.71					22			1.15	GR97 GRF97	4P	0.61	23350	2282	128	1.55	5.8			2345	241.25	23	1.20	0.68	20996	2052	128	1.75	6.5	2102	216.28	24	1.35	0.76	18786	1836	128	1.95	7.5	1811	186.30	25	1.60	0.98	14601	1427	128	2.50	8.2	1653	170.02	26	1.75	1.14	12514	1223	128	2.90	9.3	1466	150.78	26	1.95	0.60	21535	2332	114	0.85	11			1232	126.75	27			2.30	GR87 GRF87	4P	0.67	19245			2084	114	0.95	12	1132	116.48	27	2.50	0.75	17324	1876	114	1.05	14	1005	103.44	27	2.80	0.83	15486	1677	114	1.15	15	899	92.48	27	3.20	0.97	13335	1444	114	1.35	7.7	1775	182.56	11	0.95	1.1	11913			1290	114	1.50	9.0	1517			156.01	16	1.00	GR87 GRF87	4P	1.2	10407	1127	114	1.75	9.8	1390	143.03	17	1.05	1.4			9308	1008	114	1.95	11	1220	125.51	18	1.20			3.3	3943	427	70	3.30			12			1156	118.94	18	1.30	GR87 GRF87	4P	3.9	3352	363	70	3.90	13	1012	104.10	19	1.45	0.83	15662	1696	39	0.85	15	912	93.79	19	1.65	0.92	14101	1527	57	0.90	17	800	82.27	19	1.85	1.1	12300	1332	61	1.05	19	708	72.88	19	2.10	1.2	10795	1169	63	1.20	22	622	63.96	19	2.40	1.4	9493	1028	65	1.35	23	589	60.61	19	2.50	1.6	8071	874	67	1.60	26	516	53.05	19	2.90	1.8	7120	771	68	1.85	29	465	47.79	19	3.20	2.0	6307	683	68	2.05	33	407	41.92	19	3.70	2.3	5624	609	69	2.30	38	360	37.00	19	4.10	2.6	5070
326	31	4.30	3.4	2.50			1.3	10121	1096	31	0.80	371	28			3.77	3.3	3.10	1.5	8837		957	48		0.90	438	23	3.20	3.1	4.20	1.7	7720	836	51	1.05	484	21	2.89	3.0	4.90	1.9	6778			734			53	1.20	551	19	2.54	2.9	6.20	2.2	5836	632	55	1.35	583	18	2.40	2.9	6.80	2.5	5199	563	55	1.55	686	15	2.04	2.7	8.80	2.8	4553	493	56	1.75	753	14	1.86	2.6	9.10	3.3	3971	430	57	2.00	870	12	1.61	2.5	9.40	3.6	3546	384	57	2.25	1000	10	1.40	2.4	9.90	4.3	3001	325	57	2.65	240	43	3.79	3.0	1.60	GRX57 GRXF57	6P	2.7	4876	528	20	0.90	GR107R77 GRF107R77	4P	256			40	3.55	2.9	1.70	2.6			5024	544	14	0.85	GR107R77 GRF107R77			4P	290	35	3.14	2.8	1.80	2.8			4543	492	27			0.95	313	33	2.91	2.8	2.00	3.4	3851	417	30	1.10	345	30	2.64	2.7	2.30	3.8	3408	369	32	1.25	GR107R77 GRF107R77	4P	369	28	3.79	2.6	2.40	4.3	2983	323			33	1.45	394	26	3.55	2.6	2.60	3.0	4331	469	27	1.00	GR107R77 GRF107R77	4P	446	23	3.14	2.5	2.80	4.2	3103	336	14	0.95	GR97R57 GRF97R57	4P	481	21	2.91	2.4	3.10	4.7	2733	296			22	1.10	530			19			2.64	2.4	3.50	5.6	2299	249	24	1.30	591	17	2.37	2.3	3.90	6.0	2161	234	25	1.40	686	15	2.04	2.2	4.50	6.7	1930	209	25	1.55	729	14	1.92	2.2	4.80	3.0	4602	229.95	25	0.90	GR107 GRF107	8P	848	12	1.65	2.1	5.60	3.3	4066	203.16			29	1.05	946		11	1.48		2.0	6.10	3.9	3449	172.34	31	1.20	1077	9.5	1.30	1.9	6.40	4.3	3176	158.68	32	1.30	3.7	3636	251.15	30	1.10	0.31	46239	4519	128	0.80	GR177R97 GRF177R97	4P	4.1	3329	229.95	31	1.20	GR107 GRF107	6P	0.34			41573					4063	128	0.90	4.6			2941	203.16					33	1.35	0.40	36089	3527			128	1.00	5.5	2495	172.34	34	1.60	0.44	32610	3187	128	1.10	5.9	2297	158.68	34	1.75	0.51	28353	2771	128	1.30	6.6	2053	141.83	35	1.95	0.55	26102	2551	128	1.40	5.5	2486	255.71	22	1.15	GR97 GRF97	4P	0.61	23350	2282	128					1.55			5.8			2345	241.25	23	1.20	0.68	20996			2052	128	1.75	6.5	2102	216.28	24	1.35	0.76	18786	1836	128	1.95	7.5	1811	186.30	25	1.60	0.98	14601	1427	128	2.50	8.2	1653	170.02	26	1.75	1.14	12514	1223	128	2.90	9.3	1466	150.78	26	1.95	0.60	21535	2332	114	0.85	11	1232	126.75	27	2.30	GR87 GRF87	4P			0.67	19245	2084			114			0.95	12	1132	116.48	27	2.50	0.75	17324	1876	114	1.05	14	1005	103.44	27	2.80	0.83	15486	1677	114	1.15	15	899	92.48	27	3.20	0.97	13335	1444	114	1.35	7.7	1775	182.56	11	0.95	1.1	11913	1290	114	1.50	9.0	1517	156.01	16	1.00	GR87 GRF87	4P	1.2	10407	1127			114	1.75	9.8			1390	143.03	17	1.05	1.4	9308	1008	114	1.95	11	1220			125.51	18	1.20	3.3	3943	427	70	3.30	12			1156	118.94	18	1.30	GR87 GRF87			4P			3.9	3352	363	70			3.90	13	1012	104.10	19	1.45	0.83	15662	1696	39	0.85	15	912	93.79	19	1.65	0.92	14101	1527	57	0.90	17	800	82.27	19	1.85	1.1	12300	1332	61	1.05	19	708	72.88	19	2.10	1.2	10795	1169	63	1.20	22	622	63.96	19	2.40	1.4	9493	1028	65	1.35	23	589	60.61	19	2.50	1.6	8071	874	67	1.60	26	516	53.05	19	2.90	1.8	7120	771	68	1.85	29	465	47.79	19	3.20	2.0	6307	683	68	2.05	33	407	41.92	19	3.70	2.3	5624	609	69	2.30	38	360	37.00	19	4.10	2.6	5070	549	69	2.55	
371	28	3.77	3.3	3.10			1.5	8837	957	48	0.90	438	23			3.20	3.1	4.20	1.7	7720		836	51		1.05	484	21	2.89	3.0	4.90	1.9	6778	734	53	1.20	551	19	2.54	2.9	6.20	2.2	5836			632			55	1.35	583	18	2.40	2.9	6.80	2.5	5199	563	55	1.55	686	15	2.04	2.7	8.80	2.8	4553	493	56	1.75	753	14	1.86	2.6	9.10	3.3	3971	430	57	2.00	870	12	1.61	2.5	9.40	3.6	3546	384	57	2.25	1000	10	1.40	2.4	9.90	4.3	3001	325	57	2.65	240	43	3.79	3.0	1.60	GRX57 GRXF57	6P	2.7	4876	528	20	0.90	GR107R77 GRF107R77	4P	256			40	3.55	2.9	1.70	2.6	5024	544	14			0.85	GR107R77 GRF107R77	4P	290	35			3.14	2.8	1.80	2.8					4543	492	27	0.95	313	33			2.91	2.8	2.00	3.4	3851	417	30	1.10	345	30	2.64	2.7	2.30	3.8	3408	369	32	1.25	GR107R77 GRF107R77	4P	369	28	3.79	2.6	2.40	4.3			2983	323	33	1.45	394	26	3.55	2.6	2.60	3.0	4331	469	27	1.00	GR107R77 GRF107R77	4P	446	23	3.14	2.5	2.80	4.2	3103	336	14	0.95	GR97R57 GRF97R57	4P	481	21	2.91	2.4	3.10	4.7			2733	296	22	1.10	530	19	2.64	2.4			3.50	5.6	2299			249			24	1.30	591	17	2.37	2.3	3.90	6.0	2161	234	25	1.40	686	15	2.04	2.2	4.50	6.7	1930	209	25	1.55	729	14	1.92	2.2	4.80	3.0	4602	229.95	25	0.90	GR107 GRF107	8P	848	12	1.65	2.1			5.60	3.3	4066	203.16	29	1.05	946	11			1.48	2.0	6.10	3.9	3449	172.34	31	1.20	1077	9.5	1.30	1.9	6.40	4.3	3176	158.68	32	1.30	3.7	3636	251.15	30	1.10	0.31	46239	4519	128	0.80	GR177R97 GRF177R97	4P	4.1	3329	229.95	31			1.20	GR107 GRF107	6P	0.34	41573			4063			128					0.90	4.6	2941	203.16			33	1.35		0.40	36089		3527	128	1.00	5.5	2495			172.34	34	1.60	0.44	32610	3187	128	1.10	5.9	2297	158.68	34	1.75	0.51	28353	2771	128	1.30	6.6	2053	141.83	35	1.95	0.55	26102	2551	128	1.40	5.5	2486	255.71	22	1.15	GR97 GRF97	4P	0.61	23350			2282	128	1.55	5.8					2345			241.25			23	1.20	0.68	20996	2052	128			1.75	6.5	2102	216.28	24	1.35	0.76	18786	1836	128	1.95	7.5	1811	186.30	25	1.60	0.98	14601	1427	128	2.50	8.2	1653	170.02	26	1.75	1.14	12514	1223	128	2.90	9.3	1466	150.78	26	1.95	0.60	21535	2332	114	0.85	11	1232	126.75	27	2.30	GR87 GRF87	4P					0.67	19245	2084			114			0.95	12	1132	116.48	27	2.50	0.75	17324	1876	114	1.05	14	1005	103.44	27	2.80	0.83	15486	1677	114	1.15	15	899	92.48	27	3.20	0.97	13335	1444	114	1.35	7.7	1775	182.56	11	0.95	1.1	11913	1290	114	1.50	9.0	1517	156.01	16	1.00			GR87 GRF87	4P	1.2	10407	1127	114	1.75	9.8			1390	143.03	17	1.05	1.4	9308	1008	114	1.95	11	1220			125.51	18	1.20	3.3	3943	427	70	3.30	12			1156	118.94	18	1.30							GR87 GRF87	4P	3.9	3352			363	70	3.90	13	1012	104.10	19	1.45	0.83	15662	1696	39	0.85	15	912	93.79	19	1.65	0.92	14101	1527	57	0.90	17	800	82.27	19	1.85	1.1	12300	1332	61	1.05	19	708	72.88	19	2.10	1.2	10795	1169	63	1.20	22	622	63.96	19	2.40	1.4	9493	1028	65	1.35	23	589	60.61	19	2.50	1.6	8071	874	67	1.60	26	516	53.05	19	2.90	1.8	7120	771	68	1.85	29	465	47.79	19	3.20	2.0	6307	683	68	2.05	33	407	41.92	19	3.70	2.3	5624	609	69	2.30	38	360	37.00	19	4.10	2.6	5070	549	69
438	23	3.20	3.1	4.20			1.7	7720	836	51	1.05	484	21			2.89	3.0	4.90	1.9	6778		734	53		1.20	551	19	2.54	2.9	6.20	2.2	5836	632	55	1.35	583	18	2.40	2.9	6.80	2.5	5199			563			55	1.55	686	15	2.04	2.7	8.80	2.8	4553	493	56	1.75	753	14	1.86	2.6	9.10	3.3	3971	430	57	2.00	870	12	1.61	2.5	9.40	3.6	3546	384	57	2.25	1000	10	1.40	2.4	9.90	4.3	3001	325	57	2.65	240	43	3.79	3.0	1.60	GRX57 GRXF57	6P	2.7	4876	528	20	0.90	GR107R77 GRF107R77	4P	256			40	3.55	2.9	1.70	2.6	5024	544	14			0.85	GR107R77 GRF107R77	4P	290	35	3.14	2.8	1.80			2.8			4543	492			27	0.95	313	33		2.91	2.8		2.00	3.4	3851	417	30	1.10	345	30	2.64	2.7	2.30	3.8	3408	369	32	1.25	GR107R77 GRF107R77	4P	369	28	3.79	2.6	2.40	4.3	2983	323			33	1.45	394	26	3.55	2.6	2.60	3.0	4331	469	27	1.00	GR107R77 GRF107R77	4P	446	23	3.14	2.5	2.80	4.2	3103	336	14	0.95	GR97R57 GRF97R57	4P	481	21	2.91	2.4	3.10	4.7	2733	296			22	1.10	530	19	2.64	2.4			3.50	5.6	2299	249	24	1.30	591	17			2.37	2.3	3.90			6.0	2161	234	25	1.40	686	15	2.04	2.2	4.50	6.7	1930	209	25	1.55	729	14	1.92	2.2	4.80	3.0	4602	229.95	25	0.90	GR107 GRF107	8P	848	12	1.65	2.1	5.60	3.3	4066	203.16			29	1.05	946	11			1.48	2.0	6.10	3.9	3449	172.34	31	1.20	1077	9.5	1.30	1.9	6.40	4.3	3176	158.68	32	1.30	3.7	3636	251.15	30	1.10	0.31	46239	4519	128	0.80	GR177R97 GRF177R97	4P	4.1	3329	229.95	31	1.20	GR107 GRF107	6P	0.34			41573	4063	128	0.90			4.6			2941	203.16			33			1.35					0.40	36089	3527	128			1.00	5.5	2495	172.34	34	1.60	0.44	32610	3187	128	1.10			5.9	2297	158.68	34	1.75	0.51	28353	2771	128	1.30	6.6	2053	141.83	35	1.95	0.55	26102	2551	128	1.40	5.5	2486	255.71	22	1.15	GR97 GRF97	4P	0.61	23350	2282	128	1.55	5.8			2345	241.25			23	1.20	0.68	20996					2052			128			1.75	6.5	2102	216.28	24	1.35			0.76	18786	1836	128	1.95	7.5	1811	186.30	25	1.60	0.98	14601	1427	128	2.50	8.2	1653	170.02	26	1.75	1.14	12514	1223	128	2.90	9.3	1466	150.78	26	1.95	0.60	21535	2332	114	0.85	11	1232	126.75	27	2.30	GR87 GRF87	4P	0.67	19245	2084	114					0.95	12	1132	116.48	27			2.50			0.75	17324	1876	114	1.05	14	1005	103.44	27	2.80	0.83	15486	1677	114	1.15	15	899	92.48	27	3.20	0.97	13335	1444	114	1.35	7.7	1775	182.56	11	0.95	1.1	11913	1290	114	1.50	9.0	1517	156.01	16	1.00	GR87 GRF87	4P	1.2	10407	1127	114					1.75	9.8	1390	143.03	17	1.05	1.4	9308	1008	114	1.95	11	1220	125.51	18	1.20	3.3	3943	427			70	3.30	12	1156	118.94	18	1.30	GR87 GRF87	4P			3.9	3352	363	70									3.90	13			1012	104.10	19	1.45	0.83	15662	1696	39	0.85	15	912	93.79	19	1.65	0.92	14101	1527	57	0.90	17	800	82.27	19	1.85	1.1	12300	1332	61	1.05	19	708	72.88	19	2.10	1.2	10795	1169	63	1.20	22	622	63.96	19	2.40	1.4	9493	1028	65	1.35	23	589	60.61	19	2.50	1.6	8071	874	67	1.60	26	516	53.05	19	2.90	1.8	7120	771	68	1.85	29	465	47.79	19	3.20	2.0	6307	683	68	2.05	33	407	41.92	19	3.70	2.3	5624	609	69	2.30	38	360	37.00	19	4.10	2.6	5070	549	69	2.55			
484	21	2.89	3.0	4.90			1.9	6778	734	53	1.20	551	19			2.54	2.9	6.20	2.2	5836		632	55		1.35	583	18	2.40	2.9	6.80	2.5	5199	563	55	1.55	686	15	2.04	2.7	8.80	2.8	4553			493			56	1.75	753	14	1.86	2.6	9.10	3.3	3971	430	57	2.00	870	12	1.61	2.5	9.40	3.6	3546	384	57	2.25	1000	10	1.40	2.4	9.90	4.3	3001	325	57	2.65	240	43	3.79	3.0	1.60	GRX57 GRXF57	6P	2.7	4876	528	20	0.90	GR107R77 GRF107R77	4P	256			40	3.55	2.9	1.70	2.6	5024	544	14			0.85	GR107R77 GRF107R77	4P	290	35	3.14	2.8	1.80			2.8			4543	492	27	0.95	313			33			2.91	2.8	2.00	3.4	3851	417	30	1.10	345	30	2.64	2.7	2.30	3.8	3408	369	32	1.25	GR107R77 GRF107R77	4P	369	28	3.79	2.6	2.40	4.3	2983	323			33	1.45	394	26	3.55	2.6	2.60	3.0	4331	469	27	1.00	GR107R77 GRF107R77	4P	446	23	3.14	2.5	2.80	4.2	3103	336	14	0.95	GR97R57 GRF97R57	4P	481	21	2.91	2.4	3.10	4.7	2733	296			22	1.10	530	19	2.64	2.4	3.50	5.6			2299	249	24	1.30	591	17			2.37	2.3	3.90	6.0	2161	234	25	1.40			686	15	2.04	2.2	4.50	6.7	1930	209	25	1.55	729	14	1.92	2.2	4.80	3.0	4602	229.95	25	0.90	GR107 GRF107	8P	848	12	1.65	2.1	5.60	3.3	4066	203.16			29	1.05	946	11	1.48	2.0	6.10	3.9			3449	172.34	31	1.20	1077	9.5	1.30	1.9	6.40	4.3	3176	158.68	32	1.30	3.7	3636	251.15	30	1.10	0.31	46239	4519	128	0.80	GR177R97 GRF177R97	4P	4.1	3329	229.95	31	1.20	GR107 GRF107	6P	0.34			41573	4063	128	0.90	4.6			2941			203.16	33	1.35	0.40			36089			3527	128	1.00	5.5	2495			172.34					34	1.60	0.44	32610			3187	128	1.10	5.9	2297	158.68	34	1.75	0.51	28353	2771			128	1.30	6.6	2053	141.83	35	1.95	0.55	26102	2551	128	1.40	5.5	2486	255.71	22	1.15	GR97 GRF97	4P	0.61	23350	2282	128	1.55	5.8			2345	241.25	23	1.20	0.68	20996			2052	128			1.75	6.5	2102	216.28					24			1.35			0.76	18786	1836	128	1.95	7.5			1811	186.30	25	1.60	0.98	14601	1427	128	2.50	8.2	1653	170.02	26	1.75	1.14	12514	1223	128	2.90	9.3	1466	150.78	26	1.95	0.60	21535	2332	114	0.85	11	1232	126.75	27	2.30	GR87 GRF87	4P	0.67	19245	2084	114			0.95	12	1132	116.48					27	2.50	0.75	17324	1876	114	1.05	14			1005	103.44	27	2.80	0.83	15486	1677	114	1.15	15	899	92.48	27	3.20	0.97	13335	1444	114	1.35	7.7	1775	182.56	11	0.95	1.1	11913	1290	114	1.50	9.0	1517	156.01	16	1.00	GR87 GRF87	4P	1.2	10407	1127	114			1.75	9.8	1390	143.03	17	1.05			1.4	9308	1008	114	1.95	11	1220	125.51	18	1.20	3.3	3943	427	70	3.30	12	1156	118.94	18			1.30	GR87 GRF87	4P	3.9	3352	363	70					3.90	13	1012	104.10									19	1.45			0.83	15662	1696	39	0.85	15	912	93.79	19	1.65	0.92	14101	1527	57	0.90	17	800	82.27	19	1.85	1.1	12300	1332	61	1.05	19	708	72.88	19	2.10	1.2	10795	1169	63	1.20	22	622	63.96	19	2.40	1.4	9493	1028	65	1.35	23	589	60.61	19	2.50	1.6	8071	874	67	1.60	26	516	53.05	19	2.90	1.8	7120	771	68	1.85	29	465	47.79	19	3.20	2.0	6307	683	68	2.05	33	407	41.92	19	3.70	2.3	5624	609	69	2.30	38	360	37.00	19	4.10	2.6	5070	549	69	2.55							
551	19	2.54	2.9	6.20			2.2	5836	632	55	1.35	583	18			2.40	2.9	6.80	2.5	5199		563	55		1.55	686	15	2.04	2.7	8.80	2.8	4553	493	56	1.75	753	14	1.86	2.6	9.10	3.3	3971			430	57	2.00	870	12	1.61	2.5	9.40	3.6	3546	384	57	2.25	1000	10	1.40	2.4	9.90	4.3	3001	325	57	2.65	240	43	3.79	3.0	1.60	GRX57 GRXF57	6P	2.7	4876	528	20	0.90	GR107R77 GRF107R77	4P	256	40	3.55			2.9	1.70	2.6	5024	544	14	0.85	GR107R77 GRF107R77			4P	290	35	3.14	2.8	1.80	2.8	4543			492			27	0.95	313	33	2.91			2.8			2.00	3.4	3851	417	30	1.10	345	30	2.64	2.7	2.30	3.8	3408	369	32	1.25	GR107R77 GRF107R77	4P	369	28	3.79	2.6	2.40	4.3	2983	323	33	1.45			394	26	3.55	2.6	2.60	3.0	4331	469	27	1.00	GR107R77 GRF107R77	4P	446	23	3.14	2.5	2.80	4.2	3103	336	14	0.95	GR97R57 GRF97R57	4P	481	21	2.91	2.4	3.10	4.7	2733	296	22	1.10			530	19	2.64	2.4	3.50	5.6	2299	249			24	1.30	591	17	2.37	2.3	3.90	6.0			2161	234	25	1.40	686	15			2.04	2.2	4.50	6.7	1930	209	25	1.55	729	14	1.92	2.2	4.80	3.0	4602	229.95	25	0.90	GR107 GRF107	8P	848	12	1.65	2.1	5.60	3.3	4066	203.16	29	1.05			946	11	1.48	2.0	6.10	3.9	3449	172.34			31	1.20	1077	9.5	1.30	1.9	6.40	4.3	3176	158.68	32	1.30	3.7	3636	251.15	30	1.10	0.31	46239	4519	128	0.80	GR177R97 GRF177R97	4P	4.1	3329	229.95	31	1.20	GR107 GRF107	6P	0.34	41573	4063			128	0.90	4.6	2941	203.16			33			1.35	0.40	36089	3527	128			1.00			5.5	2495	172.34	34			1.60	0.44	32610	3187	128	1.10	5.9	2297			158.68					34	1.75	0.51	28353	2771	128	1.30	6.6	2053	141.83	35	1.95	0.55	26102	2551	128	1.40			5.5	2486	255.71	22	1.15	GR97 GRF97	4P	0.61	23350	2282	128	1.55	5.8	2345	241.25	23	1.20			0.68	20996	2052	128	1.75	6.5			2102	216.28	24	1.35	0.76	18786			1836	128			1.95	7.5	1811	186.30		25	1.60		0.98			14601			1427	128	2.50	8.2	1653	170.02			26	1.75	1.14	12514	1223	128	2.90	9.3	1466	150.78	26	1.95	0.60	21535	2332	114	0.85	11	1232	126.75	27	2.30	GR87 GRF87	4P	0.67	19245	2084	114	0.95	12	1132	116.48	27	2.50			0.75	17324	1876	114			1.05	14	1005	103.44					27	2.80	0.83	15486	1677	114	1.15	15	899	92.48	27	3.20	0.97	13335	1444	114	1.35	7.7	1775	182.56	11	0.95	1.1	11913	1290	114	1.50	9.0	1517	156.01	16	1.00	GR87 GRF87	4P	1.2	10407	1127	114	1.75	9.8	1390	143.03	17	1.05			1.4	9308	1008	114			1.95	11	1220	125.51	18	1.20	3.3	3943	427	70	3.30	12	1156	118.94	18	1.30	GR87 GRF87	4P	3.9	3352	363	70	3.90	13	1012	104.10	19	1.45	0.83	15662			1696	39	0.85	15					912	93.79	19	1.65									0.92	14101			1527	57	0.90	17	800	82.27	19	1.85	1.1	12300	1332	61	1.05	19	708	72.88	19	2.10	1.2	10795	1169	63	1.20	22	622	63.96	19	2.40	1.4	9493	1028	65	1.35	23	589	60.61	19	2.50	1.6	8071	874	67	1.60	26	516	53.05	19	2.90	1.8	7120	771	68	1.85	29	465	47.79	19	3.20	2.0	6307	683	68	2.05	33	407	41.92	19	3.70	2.3	5624	609	69	2.30	38	360	37.00	19	4.10	2.6	5070	549	69	2.55																			
583	18	2.40	2.9	6.80			2.5	5199	563	55	1.55	686	15			2.04	2.7	8.80	2.8	4553		493	56		1.75	753	14	1.86	2.6	9.10	3.3	3971	430	57	2.00	870	12	1.61	2.5	9.40	3.6	3546	384	57	2.25	1000	10	1.40	2.4	9.90	4.3	3001	325	57	2.65	240	43	3.79	3.0	1.60	GRX57 GRXF57	6P	2.7	4876	528	20	0.90	GR107R77 GRF107R77	4P	256	40	3.55			2.9	1.70	2.6	5024	544	14	0.85	GR107R77 GRF107R77	4P	290			35	3.14	2.8	1.80	2.8	4543	492					27	0.95	313	33	2.91	2.8	2.00			3.4			3851	417	30	1.10	345	30	2.64	2.7	2.30	3.8	3408	369	32	1.25	GR107R77 GRF107R77	4P	369	28	3.79	2.6	2.40	4.3	2983	323	33	1.45			394	26	3.55	2.6	2.60	3.0	4331	469	27	1.00	GR107R77 GRF107R77	4P	446	23	3.14	2.5	2.80	4.2	3103	336	14	0.95	GR97R57 GRF97R57	4P	481	21	2.91	2.4	3.10	4.7	2733	296	22	1.10			530	19	2.64	2.4	3.50	5.6	2299	249	24	1.30			591	17	2.37	2.3	3.90	6.0	2161	234			25	1.40	686	15	2.04	2.2	4.50	6.7			1930	209	25	1.55	729	14	1.92	2.2	4.80	3.0	4602	229.95	25	0.90	GR107 GRF107	8P	848	12	1.65	2.1	5.60	3.3	4066	203.16	29	1.05			946	11	1.48	2.0	6.10	3.9	3449	172.34	31	1.20			1077	9.5	1.30	1.9	6.40	4.3	3176	158.68	32	1.30	3.7	3636	251.15	30	1.10	0.31	46239	4519	128	0.80	GR177R97 GRF177R97	4P	4.1	3329	229.95	31	1.20	GR107 GRF107	6P	0.34	41573	4063			128	0.90	4.6	2941	203.16			33	1.35	0.40			36089	3527	128	1.00	5.5			2495			172.34	34	1.60	0.44	32610	3187	128	1.10			5.9	2297	158.68	34			1.75	0.51	28353	2771	128	1.30	6.6	2053			141.83					35	1.95	0.55	26102	2551	128	1.40	5.5	2486	255.71	22	1.15	GR97 GRF97	4P	0.61	23350	2282	128	1.55	5.8	2345	241.25	23	1.20			0.68	20996	2052	128	1.75	6.5	2102	216.28	24	1.35			0.76	18786	1836	128	1.95	7.5			1811	186.30	25	1.60	0.98	14601			1427	128			2.50	8.2	1653	170.02		26	1.75		1.14			12514			1223	128	2.90	9.3	1466	150.78	26	1.95	0.60	21535	2332	114	0.85	11	1232	126.75	27	2.30	GR87 GRF87	4P	0.67	19245	2084	114	0.95	12	1132	116.48	27	2.50			0.75	17324	1876	114	1.05	14	1005	103.44	27	2.80			0.83	15486	1677	114			1.15	15	899	92.48			27	3.20	0.97	13335	1444	114	1.35	7.7	1775	182.56	11	0.95	1.1	11913	1290	114	1.50	9.0	1517	156.01	16	1.00	GR87 GRF87	4P	1.2	10407	1127	114	1.75	9.8	1390	143.03	17	1.05			1.4	9308	1008	114	1.95	11	1220	125.51	18	1.20			3.3	3943	427	70	3.30	12	1156	118.94	18	1.30	GR87 GRF87	4P	3.9	3352	363	70	3.90	13	1012	104.10	19	1.45			0.83	15662	1696	39	0.85	15	912	93.79	19	1.65	0.92	14101			1527	57	0.90	17					800	82.27	19	1.85					1.1	12300			1332	61			1.05	19	708	72.88	19	2.10	1.2	10795	1169	63	1.20	22	622	63.96	19	2.40	1.4	9493	1028	65	1.35	23	589	60.61	19	2.50	1.6	8071	874	67	1.60	26	516	53.05	19	2.90	1.8	7120	771	68	1.85	29	465	47.79	19	3.20	2.0	6307	683	68	2.05	33	407	41.92	19	3.70	2.3	5624	609	69	2.30	38	360	37.00	19	4.10	2.6	5070	549	69	2.55																															
686	15	2.04	2.7	8.80			2.8	4553	493	56	1.75	753	14			1.86	2.6	9.10	3.3	3971		430	57		2.00	870	12	1.61	2.5	9.40	3.6	3546	384	57	2.25	1000	10	1.40	2.4	9.90	4.3	3001	325	57	2.65	240	43	3.79	3.0	1.60	GRX57 GRXF57	6P	2.7	4876	528	20	0.90	GR107R77 GRF107R77	4P	256			40	3.55	2.9	1.70	2.6	5024	544	14	0.85	GR107R77 GRF107R77			4P	290	35	3.14	2.8	1.80	2.8			4543			492	27	0.95	313	33	2.91	2.8					2.00	3.4	3851	417	30	1.10	345	30	2.64	2.7	2.30	3.8	3408	369	32	1.25	GR107R77 GRF107R77	4P	369	28	3.79	2.6	2.40	4.3	2983	323			33	1.45	394	26	3.55	2.6	2.60	3.0	4331	469	27	1.00	GR107R77 GRF107R77	4P	446	23	3.14	2.5	2.80	4.2	3103	336	14	0.95	GR97R57 GRF97R57	4P	481	21	2.91	2.4	3.10	4.7	2733	296			22	1.10	530	19	2.64	2.4	3.50	5.6	2299	249			24	1.30	591	17	2.37	2.3	3.90	6.0	2161	234			25	1.40	686	15	2.04	2.2	4.50	6.7			1930	209	25	1.55	729	14	1.92	2.2	4.80	3.0	4602	229.95	25	0.90	GR107 GRF107	8P	848	12	1.65	2.1	5.60	3.3	4066	203.16			29	1.05	946	11	1.48	2.0	6.10	3.9	3449	172.34			31	1.20	1077	9.5	1.30	1.9	6.40	4.3	3176	158.68	32	1.30	3.7	3636	251.15	30	1.10	0.31	46239	4519	128	0.80	GR177R97 GRF177R97	4P	4.1	3329	229.95	31	1.20	GR107 GRF107	6P	0.34			41573	4063	128	0.90	4.6			2941	203.16	33			1.35	0.40	36089	3527	128			1.00	5.5	2495			172.34	34	1.60	0.44	32610	3187	128	1.10			5.9	2297	158.68	34	1.75	0.51	28353	2771			128	1.30	6.6	2053			141.83	35	1.95	0.55	26102	2551	128	1.40			5.5					2486	255.71	22	1.15	GR97 GRF97	4P	0.61	23350	2282	128	1.55	5.8			2345	241.25	23	1.20	0.68	20996	2052	128	1.75	6.5			2102	216.28	24	1.35	0.76	18786	1836	128	1.95	7.5			1811	186.30	25	1.60	0.98	14601			1427	128	2.50	8.2	1653	170.02			26	1.75			1.14	12514	1223	128		2.90	9.3		1466			150.78			26	1.95	0.60	21535	2332	114	0.85	11	1232	126.75	27	2.30	GR87 GRF87	4P	0.67	19245	2084	114			0.95	12	1132	116.48	27	2.50	0.75	17324	1876	114			1.05	14	1005	103.44	27	2.80	0.83	15486	1677	114			1.15	15	899	92.48			27	3.20	0.97	13335	1444	114	1.35	7.7	1775	182.56	11	0.95	1.1	11913	1290	114	1.50	9.0	1517	156.01	16	1.00	GR87 GRF87	4P	1.2	10407	1127	114			1.75	9.8	1390	143.03	17	1.05	1.4	9308	1008	114			1.95	11	1220	125.51	18	1.20	3.3	3943	427	70	3.30	12	1156	118.94	18	1.30	GR87 GRF87	4P	3.9	3352	363	70			3.90	13	1012	104.10	19	1.45	0.83	15662	1696	39			0.85	15	912	93.79	19	1.65	0.92	14101	1527	57	0.90	17			800	82.27	19	1.85					1.1	12300	1332	61					1.05	19			708	72.88			19	2.10	1.2	10795	1169	63	1.20	22	622	63.96	19	2.40	1.4	9493	1028	65	1.35	23	589	60.61	19	2.50	1.6	8071	874	67	1.60	26	516	53.05	19	2.90	1.8	7120	771	68	1.85	29	465	47.79	19	3.20	2.0	6307	683	68	2.05	33	407	41.92	19	3.70	2.3	5624	609	69	2.30	38	360	37.00	19	4.10	2.6	5070	549	69	2.55																																			
753	14	1.86	2.6	9.10			3.3	3971	430	57	2.00	870	12			1.61	2.5	9.40	3.6	3546	384	57	2.25	1000	10	1.40	2.4	9.90	4.3	3001	325	57	2.65	240	43	3.79	3.0	1.60	GRX57 GRXF57	6P	2.7	4876	528	20	0.90	GR107R77 GRF107R77	4P	256	40	3.55			2.9	1.70	2.6	5024	544	14	0.85	GR107R77 GRF107R77			4P	290	35	3.14	2.8	1.80	2.8	4543	492					27	0.95	313	33	2.91	2.8			2.00			3.4	3851	417	30	1.10	345	30	2.64	2.7	2.30	3.8	3408	369	32	1.25	GR107R77 GRF107R77	4P	369	28	3.79	2.6	2.40	4.3	2983	323	33	1.45			394	26	3.55	2.6	2.60	3.0	4331	469	27	1.00	GR107R77 GRF107R77	4P	446	23	3.14	2.5	2.80	4.2	3103	336	14	0.95	GR97R57 GRF97R57	4P	481	21	2.91	2.4	3.10	4.7	2733	296	22	1.10			530	19	2.64	2.4	3.50	5.6	2299	249			24	1.30	591	17	2.37	2.3	3.90	6.0	2161	234			25	1.40	686	15	2.04	2.2	4.50	6.7	1930	209			25	1.55	729	14	1.92	2.2	4.80	3.0	4602	229.95	25	0.90	GR107 GRF107	8P	848	12	1.65	2.1	5.60	3.3	4066	203.16	29	1.05			946	11	1.48	2.0	6.10	3.9	3449	172.34			31	1.20	1077	9.5	1.30	1.9	6.40	4.3	3176	158.68	32	1.30	3.7	3636	251.15	30	1.10	0.31	46239	4519	128	0.80	GR177R97 GRF177R97	4P	4.1	3329	229.95	31	1.20	GR107 GRF107	6P	0.34	41573	4063			128	0.90	4.6	2941	203.16			33			1.35	0.40	36089	3527	128			1.00	5.5	2495			172.34	34	1.60	0.44	32610	3187	128	1.10	5.9	2297			158.68	34	1.75	0.51	28353	2771	128	1.30			6.6	2053	141.83	35	1.95	0.55	26102	2551			128	1.40	5.5	2486			255.71	22	1.15	GR97 GRF97	4P	0.61	23350	2282			128		1.55	5.8		2345	241.25	23	1.20			0.68	20996	2052	128	1.75	6.5			2102	216.28	24	1.35	0.76	18786	1836	128	1.95	7.5			1811	186.30	25	1.60	0.98	14601	1427	128	2.50	8.2			1653	170.02	26	1.75	1.14	12514			1223	128	2.90	9.3	1466	150.78			26	1.95			0.60	21535	2332	114	0.85	11	1232	126.75	27			2.30			GR87 GRF87	4P	0.67	19245	2084	114	0.95	12	1132	116.48	27	2.50			0.75	17324	1876	114			1.05	14	1005	103.44	27	2.80	0.83	15486	1677	114			1.15	15	899	92.48	27	3.20	0.97	13335	1444	114			1.35	7.7	1775	182.56	11	0.95	1.1	11913	1290	114	1.50	9.0	1517	156.01	16	1.00	GR87 GRF87	4P	1.2	10407	1127	114	1.75	9.8	1390	143.03	17	1.05			1.4	9308	1008	114			1.95	11	1220	125.51	18	1.20	3.3	3943	427	70	3.30	12	1156	118.94	18	1.30	GR87 GRF87	4P	3.9	3352	363	70	3.90	13	1012	104.10	19	1.45			0.83	15662	1696	39			0.85	15	912	93.79	19	1.65	0.92	14101	1527	57			0.90	17	800	82.27	19	1.85	1.1	12300	1332	61	1.05	19			708	72.88	19	2.10			1.2	10795	1169	63	1.20	22					622	63.96			19	2.40			1.4	9493	1028	65	1.35	23	589	60.61	19	2.50	1.6	8071	874	67	1.60	26	516	53.05	19	2.90	1.8	7120	771	68	1.85	29	465	47.79	19	3.20	2.0	6307	683	68	2.05	33	407	41.92	19	3.70	2.3	5624	609	69	2.30	38	360	37.00	19	4.10	2.6	5070	549	69	2.55																																															
870	12	1.61	2.5	9.40			3.6	3546	384	57	2.25	1000	10	1.40	2.4	9.90	4.3	3001	325	57	2.65	240	43	3.79	3.0	1.60	GRX57 GRXF57	6P	2.7	4876	528	20	0.90	GR107R77 GRF107R77	4P	256	40	3.55			2.9	1.70	2.6	5024	544	14	0.85	GR107R77 GRF107R77	4P	290			35	3.14	2.8	1.80	2.8	4543	492					27	0.95	313	33	2.91	2.8	2.00	3.4					3851	417	30	1.10	345	30	2.64	2.7	2.30	3.8	3408	369	32	1.25	GR107R77 GRF107R77	4P	369	28	3.79	2.6	2.40	4.3	2983	323	33	1.45			394	26	3.55	2.6	2.60	3.0	4331	469	27	1.00	GR107R77 GRF107R77	4P	446	23	3.14	2.5	2.80	4.2	3103	336	14	0.95	GR97R57 GRF97R57	4P	481	21	2.91	2.4	3.10	4.7	2733	296	22	1.10			530	19	2.64	2.4	3.50	5.6	2299	249	24	1.30			591	17	2.37	2.3	3.90	6.0	2161	234			25	1.40	686	15	2.04	2.2	4.50	6.7	1930	209			25	1.55	729	14	1.92	2.2	4.80	3.0	4602	229.95	25	0.90	GR107 GRF107	8P	848	12	1.65	2.1	5.60	3.3	4066	203.16	29	1.05			946	11	1.48	2.0	6.10	3.9	3449	172.34	31	1.20			1077	9.5	1.30	1.9	6.40	4.3	3176	158.68	32	1.30	3.7	3636	251.15	30	1.10	0.31	46239	4519	128	0.80	GR177R97 GRF177R97	4P	4.1	3329	229.95	31	1.20	GR107 GRF107	6P	0.34	41573	4063			128	0.90	4.6	2941	203.16			33	1.35	0.40			36089	3527	128	1.00	5.5			2495			172.34	34	1.60	0.44	32610	3187	128	1.10	5.9	2297			158.68	34	1.75	0.51	28353	2771	128	1.30	6.6	2053			141.83	35	1.95	0.55	26102	2551	128	1.40			5.5	2486	255.71	22	1.15	GR97 GRF97	4P	0.61			23350	2282	128	1.55			5.8	2345	241.25			23	1.20	0.68			20996	2052	128	1.75	6.5	2102	216.28	24	1.35			0.76	18786	1836	128	1.95	7.5			1811	186.30	25	1.60	0.98	14601	1427	128	2.50	8.2			1653	170.02	26	1.75	1.14	12514	1223	128	2.90	9.3			1466	150.78	26	1.95	0.60	21535			2332	114	0.85	11	1232	126.75			27	2.30			GR87 GRF87	4P	0.67	19245	2084	114	0.95	12	1132	116.48	27	2.50					0.75	17324	1876	114	1.05	14	1005	103.44	27	2.80			0.83	15486	1677	114			1.15	15	899	92.48	27	3.20	0.97	13335	1444	114			1.35	7.7	1775	182.56	11	0.95	1.1	11913	1290	114	1.50	9.0	1517	156.01	16	1.00	GR87 GRF87	4P	1.2	10407	1127	114	1.75	9.8	1390	143.03	17	1.05			1.4	9308	1008	114	1.95	11	1220	125.51	18	1.20			3.3	3943	427	70	3.30	12	1156	118.94	18	1.30	GR87 GRF87	4P	3.9	3352	363	70	3.90	13	1012	104.10	19	1.45			0.83	15662	1696	39	0.85	15	912	93.79	19	1.65			0.92	14101	1527	57			0.90	17	800	82.27	19	1.85	1.1	12300	1332	61			1.05	19	708	72.88	19	2.10	1.2	10795	1169	63	1.20	22			622	63.96	19	2.40			1.4	9493	1028	65	1.35	23		589	60.61		19	2.50			1.6	8071			874	67	1.60	26	516	53.05	19	2.90	1.8	7120	771	68	1.85	29	465	47.79	19	3.20	2.0	6307	683	68	2.05	33	407	41.92	19	3.70	2.3	5624	609	69	2.30	38	360	37.00	19	4.10	2.6	5070	549	69	2.55																																																											
1000	10	1.40	2.4	9.90	4.3	3001	325	57	2.65	240	43	3.79	3.0	1.60	GRX57 GRXF57	6P	2.7	4876	528	20	0.90	GR107R77 GRF107R77	4P	256	40	3.55			2.9	1.70	2.6	5024	544	14	0.85	GR107R77 GRF107R77	4P	290			35	3.14	2.8	1.80	2.8	4543	492			27			0.95	313	33	2.91	2.8	2.00	3.4					3851	417	30	1.10	345	30	2.64	2.7	2.30	3.8	3408	369	32	1.25	GR107R77 GRF107R77	4P	369	28	3.79	2.6	2.40	4.3	2983	323	33	1.45			394	26	3.55	2.6	2.60	3.0	4331	469	27	1.00	GR107R77 GRF107R77	4P	446	23	3.14	2.5	2.80	4.2	3103	336	14	0.95	GR97R57 GRF97R57	4P	481	21	2.91	2.4	3.10	4.7	2733	296	22	1.10			530	19	2.64	2.4	3.50	5.6	2299	249	24	1.30			591	17	2.37	2.3	3.90	6.0	2161	234	25	1.40			686	15	2.04	2.2	4.50	6.7	1930	209			25	1.55	729	14	1.92	2.2	4.80	3.0	4602	229.95	25	0.90	GR107 GRF107	8P	848	12	1.65	2.1	5.60	3.3	4066	203.16	29	1.05			946	11	1.48	2.0	6.10	3.9	3449	172.34	31	1.20			1077	9.5	1.30	1.9	6.40	4.3	3176	158.68	32	1.30	3.7	3636	251.15	30	1.10	0.31	46239	4519	128	0.80	GR177R97 GRF177R97	4P	4.1	3329	229.95	31	1.20	GR107 GRF107	6P	0.34	41573	4063			128	0.90	4.6	2941	203.16			33	1.35	0.40			36089	3527	128	1.00	5.5			2495	172.34	34			1.60	0.44	32610	3187	128	1.10	5.9	2297			158.68	34	1.75	0.51	28353	2771	128	1.30	6.6	2053			141.83	35	1.95	0.55	26102	2551	128	1.40	5.5	2486			255.71	22	1.15	GR97 GRF97	4P	0.61	23350	2282			128	1.55	5.8	2345	241.25			23			1.20	0.68	20996	2052			128	1.75	6.5			2102	216.28	24	1.35	0.76	18786	1836	128	1.95	7.5	1811	186.30	25	1.60			0.98	14601	1427	128	2.50	8.2			1653	170.02	26	1.75	1.14	12514	1223	128	2.90	9.3			1466	150.78	26	1.95	0.60	21535	2332	114	0.85	11			1232	126.75	27	2.30	GR87 GRF87	4P			0.67	19245	2084	114	0.95	12			1132	116.48					27	2.50	0.75	17324	1876	114	1.05	14	1005	103.44	27	2.80			0.83	15486	1677	114	1.15	15	899	92.48	27	3.20			0.97	13335	1444	114			1.35	7.7	1775	182.56	11	0.95	1.1	11913	1290	114	1.50	9.0	1517	156.01	16	1.00	GR87 GRF87	4P	1.2	10407	1127	114	1.75	9.8	1390	143.03	17	1.05			1.4	9308	1008	114	1.95	11	1220	125.51	18	1.20			3.3	3943	427	70	3.30	12	1156	118.94	18	1.30	GR87 GRF87	4P	3.9	3352	363	70	3.90	13	1012	104.10	19	1.45			0.83	15662	1696	39	0.85	15	912	93.79	19	1.65			0.92	14101	1527	57	0.90	17	800	82.27	19	1.85			1.1	12300	1332	61			1.05	19	708	72.88	19	2.10	1.2	10795	1169	63			1.20	22	622	63.96	19	2.40	1.4	9493	1028	65	1.35	23			589	60.61	19	2.50			1.6	8071	874	67	1.60	26		516	53.05		19	2.90			1.8	7120	771	68	1.85	29	465	47.79	19	3.20	2.0	6307	683	68	2.05	33	407	41.92	19	3.70	2.3	5624	609	69	2.30	38	360	37.00	19	4.10	2.6	5070	549	69	2.55																																																																							
240	43	3.79	3.0	1.60	GRX57 GRXF57	6P	2.7	4876	528	20	0.90	GR107R77 GRF107R77	4P	256			40	3.55	2.9	1.70	2.6	5024	544	14	0.85	GR107R77 GRF107R77			4P	290	35	3.14	2.8	1.80	2.8			4543			492	27	0.95	313	33	2.91	2.8			2.00			3.4	3851	417	30	1.10	345	30	2.64	2.7	2.30	3.8	3408	369	32	1.25	GR107R77 GRF107R77	4P	369	28	3.79	2.6	2.40	4.3	2983	323			33	1.45	394	26	3.55	2.6	2.60	3.0	4331	469	27	1.00	GR107R77 GRF107R77	4P	446	23	3.14	2.5	2.80	4.2	3103	336	14	0.95	GR97R57 GRF97R57	4P	481	21	2.91	2.4	3.10	4.7	2733	296			22	1.10	530	19	2.64	2.4	3.50	5.6	2299	249			24	1.30	591	17	2.37	2.3	3.90	6.0	2161	234			25	1.40	686	15	2.04	2.2	4.50	6.7	1930	209			25	1.55	729	14	1.92	2.2	4.80	3.0	4602	229.95	25	0.90	GR107 GRF107	8P	848	12	1.65	2.1	5.60	3.3	4066	203.16			29	1.05	946	11	1.48	2.0	6.10	3.9	3449	172.34			31	1.20	1077	9.5	1.30	1.9	6.40	4.3	3176	158.68	32	1.30	3.7	3636	251.15	30	1.10	0.31	46239	4519	128	0.80	GR177R97 GRF177R97	4P	4.1	3329	229.95	31	1.20	GR107 GRF107	6P	0.34			41573	4063	128	0.90	4.6			2941	203.16	33			1.35	0.40	36089	3527	128			1.00	5.5	2495			172.34	34	1.60	0.44	32610	3187	128	1.10	5.9	2297			158.68	34	1.75	0.51	28353	2771	128	1.30			6.6	2053	141.83	35	1.95	0.55	26102	2551	128	1.40			5.5	2486	255.71	22	1.15	GR97 GRF97	4P	0.61	23350	2282			128	1.55	5.8			2345	241.25	23			1.20	0.68	20996	2052	128			1.75			6.5	2102	216.28	24	1.35	0.76	18786	1836	128			1.95	7.5	1811	186.30	25	1.60	0.98	14601	1427	128	2.50	8.2	1653	170.02			26	1.75	1.14	12514	1223	128			2.90	9.3	1466	150.78	26	1.95	0.60	21535	2332	114			0.85	11	1232	126.75	27	2.30	GR87 GRF87	4P	0.67	19245			2084	114	0.95	12					1132	116.48	27	2.50	0.75	17324			1876	114	1.05	14			1005	103.44	27	2.80	0.83	15486	1677	114	1.15	15	899	92.48			27	3.20	0.97	13335	1444	114	1.35	7.7	1775	182.56			11	0.95	1.1	11913	1290	114	1.50	9.0	1517	156.01	16	1.00	GR87 GRF87	4P	1.2	10407	1127	114	1.75	9.8	1390	143.03			17	1.05	1.4	9308	1008	114	1.95	11	1220	125.51			18	1.20	3.3	3943	427	70	3.30	12	1156	118.94	18	1.30	GR87 GRF87	4P	3.9	3352	363	70	3.90	13	1012	104.10			19	1.45	0.83	15662	1696	39	0.85	15	912	93.79			19	1.65	0.92	14101	1527	57	0.90	17	800	82.27			19	1.85	1.1	12300	1332	61	1.05	19	708	72.88			19	2.10	1.2	10795			1169	63	1.20	22	622	63.96	19	2.40	1.4	9493			1028	65	1.35	23	589	60.61	19	2.50	1.6	8071	874	67			1.60	26	516	53.05			19	2.90	1.8	7120	771	68	1.85	29	465	47.79	19	3.20			2.0	6307	683	68	2.05	33	407	41.92	19	3.70	2.3	5624	609	69	2.30	38	360	37.00	19	4.10	2.6	5070	549	69	2.55																																																																																	
256	40	3.55	2.9	1.70			2.6	5024	544	14	0.85	GR107R77 GRF107R77	4P	290			35	3.14	2.8	1.80	2.8	4543	492	27	0.95					313	33	2.91	2.8	2.00	3.4			3851			417	30	1.10	345	30	2.64	2.7	2.30	3.8	3408	369	32	1.25	GR107R77 GRF107R77	4P	369	28	3.79	2.6	2.40	4.3	2983	323	33	1.45	394	26			3.55	2.6	2.60	3.0	4331	469	27	1.00	GR107R77 GRF107R77	4P	446	23	3.14	2.5	2.80	4.2	3103	336	14	0.95	GR97R57 GRF97R57	4P	481	21	2.91	2.4	3.10	4.7	2733	296	22	1.10	530	19			2.64	2.4	3.50	5.6	2299	249	24	1.30			591	17	2.37	2.3	3.90	6.0	2161	234	25	1.40			686	15	2.04	2.2	4.50	6.7	1930	209	25	1.55			729	14	1.92	2.2	4.80	3.0	4602	229.95	25	0.90	GR107 GRF107	8P	848	12	1.65	2.1	5.60	3.3	4066	203.16	29	1.05	946	11			1.48	2.0	6.10	3.9	3449	172.34	31	1.20			1077	9.5	1.30	1.9	6.40	4.3	3176	158.68	32	1.30	3.7	3636	251.15	30	1.10	0.31	46239	4519	128	0.80	GR177R97 GRF177R97	4P	4.1	3329	229.95	31	1.20	GR107 GRF107	6P	0.34	41573	4063	128	0.90			4.6	2941	203.16	33	1.35			0.40			36089	3527	128	1.00	5.5			2495	172.34	34			1.60	0.44	32610	3187	128	1.10	5.9	2297	158.68	34			1.75	0.51	28353	2771	128	1.30	6.6	2053	141.83	35			1.95	0.55	26102	2551	128	1.40	5.5	2486			255.71	22	1.15	GR97 GRF97	4P	0.61	23350	2282	128	1.55			5.8	2345	241.25	23	1.20			0.68	20996	2052			128	1.75	6.5			2102	216.28	24			1.35	0.76	18786	1836	128			1.95	7.5	1811	186.30	25	1.60	0.98	14601	1427	128	2.50	8.2			1653	170.02	26	1.75	1.14	12514	1223	128	2.90	9.3	1466	150.78	26	1.95			0.60	21535	2332	114	0.85	11			1232	126.75	27	2.30	GR87 GRF87	4P	0.67	19245	2084	114			0.95	12	1132	116.48	27	2.50			0.75	17324			1876	114	1.05	14					1005	103.44	27	2.80	0.83	15486	1677	114	1.15	15	899	92.48			27	3.20	0.97	13335	1444	114	1.35	7.7	1775	182.56	11	0.95			1.1	11913	1290	114	1.50	9.0	1517	156.01	16	1.00	GR87 GRF87	4P	1.2	10407	1127	114	1.75	9.8	1390	143.03	17	1.05	1.4	9308			1008	114	1.95	11	1220	125.51	18	1.20			3.3	3943	427	70	3.30	12	1156	118.94	18	1.30	GR87 GRF87	4P	3.9	3352	363	70	3.90	13	1012	104.10	19	1.45	0.83	15662			1696	39	0.85	15	912	93.79	19	1.65			0.92	14101	1527	57	0.90	17	800	82.27	19	1.85			1.1	12300	1332	61	1.05	19	708	72.88	19	2.10			1.2	10795	1169	63	1.20	22	622	63.96	19	2.40			1.4	9493	1028	65			1.35	23	589	60.61	19	2.50	1.6	8071	874	67			1.60	26	516	53.05	19	2.90	1.8	7120	771	68	1.85	29			465	47.79	19	3.20			2.0	6307	683	68	2.05	33	407	41.92	19	3.70	2.3	5624	609	69	2.30	38	360	37.00	19	4.10	2.6	5070	549	69	2.55																																																																																															
290	35	3.14	2.8	1.80			2.8	4543	492	27	0.95			313			33	2.91	2.8	2.00	3.4	3851	417	30	1.10					345	30	2.64	2.7	2.30	3.8	3408	369	32	1.25	GR107R77 GRF107R77	4P	369	28	3.79	2.6	2.40	4.3	2983	323	33	1.45	394	26			3.55	2.6	2.60	3.0	4331	469	27	1.00	GR107R77 GRF107R77	4P	446	23	3.14	2.5	2.80	4.2	3103	336	14	0.95	GR97R57 GRF97R57	4P	481	21	2.91	2.4	3.10	4.7	2733	296	22	1.10	530	19			2.64	2.4	3.50	5.6	2299	249	24	1.30	591	17	2.37	2.3			3.90	6.0	2161	234	25	1.40	686	15			2.04	2.2	4.50	6.7	1930	209	25	1.55	729	14			1.92	2.2	4.80	3.0	4602	229.95	25	0.90	GR107 GRF107	8P	848	12	1.65	2.1	5.60	3.3	4066	203.16	29	1.05	946	11			1.48	2.0	6.10	3.9	3449	172.34	31	1.20	1077	9.5	1.30	1.9			6.40	4.3	3176	158.68	32	1.30	3.7	3636	251.15	30	1.10	0.31	46239	4519	128	0.80	GR177R97 GRF177R97	4P	4.1	3329	229.95	31	1.20	GR107 GRF107	6P	0.34	41573	4063	128	0.90			4.6	2941	203.16	33	1.35			0.40	36089	3527	128	1.00			5.5	2495	172.34	34	1.60			0.44			32610	3187	128	1.10	5.9	2297	158.68	34	1.75	0.51			28353	2771	128	1.30	6.6	2053	141.83	35	1.95	0.55			26102	2551	128	1.40	5.5	2486	255.71	22	1.15	GR97 GRF97			4P	0.61	23350	2282	128	1.55	5.8	2345			241.25	23	1.20			0.68	20996	2052	128	1.75			6.5	2102	216.28	24	1.35			0.76	18786	1836			128	1.95	7.5			1811	186.30	25	1.60	0.98	14601	1427	128	2.50	8.2			1653	170.02	26	1.75	1.14	12514	1223	128	2.90	9.3	1466	150.78			26	1.95	0.60	21535	2332	114	0.85	11	1232	126.75	27	2.30	GR87 GRF87	4P			0.67	19245	2084	114	0.95	12			1132	116.48	27	2.50			0.75	17324	1876	114			1.05	14	1005	103.44	27	2.80			0.83	15486			1677	114	1.15	15			899	92.48	27	3.20	0.97	13335	1444	114	1.35	7.7	1775	182.56	11	0.95			1.1	11913	1290	114	1.50	9.0	1517	156.01	16	1.00	GR87 GRF87	4P	1.2	10407	1127	114	1.75	9.8	1390	143.03	17	1.05	1.4	9308			1008	114	1.95	11	1220	125.51	18	1.20	3.3	3943	427	70			3.30	12	1156	118.94	18	1.30	GR87 GRF87	4P	3.9	3352	363	70	3.90	13	1012	104.10	19	1.45	0.83	15662			1696	39	0.85	15	912	93.79	19	1.65	0.92	14101	1527	57			0.90	17	800	82.27	19	1.85	1.1	12300			1332	61	1.05	19	708	72.88	19	2.10	1.2	10795			1169	63	1.20	22	622	63.96	19	2.40	1.4	9493			1028	65	1.35	23	589	60.61	19	2.50	1.6	8071			874	67	1.60	26			516	53.05	19	2.90	1.8	7120	771	68	1.85	29			465	47.79	19	3.20	2.0	6307	683	68	2.05	33	407	41.92			19	3.70	2.3	5624	609	69	2.30	38	360	37.00	19	4.10	2.6	5070	549	69	2.55																																																																																																													
313	33	2.91	2.8	2.00			3.4	3851	417	30	1.10			345			30	2.64	2.7	2.30	3.8	3408	369	32	1.25	GR107R77 GRF107R77	4P	369	28	3.79	2.6	2.40	4.3	2983	323	33	1.45	394	26			3.55	2.6	2.60	3.0	4331	469	27	1.00	GR107R77 GRF107R77	4P	446	23	3.14	2.5	2.80	4.2	3103	336	14	0.95	GR97R57 GRF97R57	4P	481	21	2.91	2.4	3.10	4.7	2733	296	22	1.10	530	19			2.64	2.4	3.50	5.6	2299	249	24	1.30	591	17	2.37	2.3			3.90	6.0	2161	234	25	1.40	686	15	2.04	2.2	4.50	6.7			1930	209	25	1.55	729	14	1.92	2.2			4.80	3.0	4602	229.95	25	0.90	GR107 GRF107	8P	848	12	1.65	2.1	5.60	3.3	4066	203.16	29	1.05	946	11			1.48	2.0	6.10	3.9	3449	172.34	31	1.20	1077	9.5	1.30	1.9			6.40	4.3	3176	158.68	32	1.30	3.7	3636	251.15	30	1.10	0.31	46239	4519	128	0.80	GR177R97 GRF177R97	4P	4.1	3329	229.95	31	1.20	GR107 GRF107	6P	0.34	41573	4063	128	0.90			4.6	2941	203.16	33	1.35			0.40	36089	3527	128	1.00			5.5	2495	172.34	34	1.60			0.44	32610	3187	128	1.10			5.9	2297	158.68	34	1.75	0.51	28353	2771			128	1.30	6.6	2053	141.83	35	1.95	0.55	26102	2551			128	1.40	5.5	2486	255.71	22	1.15	GR97 GRF97	4P	0.61			23350	2282	128	1.55	5.8	2345	241.25	23	1.20					0.68	20996	2052	128	1.75	6.5	2102			216.28	24	1.35			0.76	18786	1836	128	1.95			7.5	1811	186.30	25	1.60			0.98	14601	1427	128	2.50	8.2	1653	170.02			26	1.75	1.14	12514	1223	128	2.90	9.3	1466	150.78			26	1.95	0.60	21535	2332	114	0.85	11	1232	126.75	27	2.30			GR87 GRF87	4P	0.67	19245	2084	114	0.95	12	1132	116.48	27	2.50					0.75	17324	1876	114	1.05	14			1005	103.44	27	2.80			0.83	15486	1677	114			1.15	15	899	92.48	27	3.20			0.97	13335	1444	114	1.35	7.7	1775	182.56			11	0.95	1.1	11913	1290	114	1.50	9.0	1517	156.01	16	1.00	GR87 GRF87	4P	1.2	10407	1127	114	1.75	9.8	1390	143.03	17	1.05	1.4	9308			1008	114	1.95	11	1220	125.51	18	1.20	3.3	3943	427	70			3.30	12	1156	118.94	18	1.30	GR87 GRF87	4P	3.9	3352	363	70	3.90	13	1012	104.10	19	1.45	0.83	15662			1696	39	0.85	15	912	93.79	19	1.65	0.92	14101	1527	57			0.90	17	800	82.27	19	1.85	1.1	12300	1332	61	1.05	19			708	72.88	19	2.10	1.2	10795	1169	63			1.20	22	622	63.96	19	2.40	1.4	9493	1028	65			1.35	23	589	60.61	19	2.50	1.6	8071	874	67			1.60	26	516	53.05	19	2.90	1.8	7120	771	68			1.85	29	465	47.79			19	3.20	2.0	6307	683	68	2.05	33	407	41.92			19	3.70	2.3	5624	609	69	2.30	38	360	37.00	19	4.10	2.6	5070	549	69	2.55																																																																																																																											
345	30	2.64	2.7	2.30			3.8	3408	369	32	1.25	GR107R77 GRF107R77	4P	369	28	3.79	2.6	2.40	4.3	2983	323	33	1.45	394	26			3.55	2.6	2.60	3.0	4331	469	27	1.00	GR107R77 GRF107R77	4P	446	23	3.14	2.5	2.80	4.2	3103	336	14	0.95	GR97R57 GRF97R57	4P	481	21	2.91	2.4	3.10	4.7	2733	296	22	1.10	530	19			2.64	2.4	3.50	5.6	2299	249	24	1.30	591	17	2.37	2.3			3.90	6.0	2161	234	25	1.40	686	15	2.04	2.2	4.50	6.7			1930	209	25	1.55	729	14	1.92	2.2	4.80	3.0	4602	229.95			25	0.90	GR107 GRF107	8P	848	12	1.65	2.1	5.60	3.3	4066	203.16	29	1.05	946	11			1.48	2.0	6.10	3.9	3449	172.34	31	1.20	1077	9.5	1.30	1.9			6.40	4.3	3176	158.68	32	1.30	3.7	3636	251.15	30	1.10	0.31	46239	4519	128	0.80	GR177R97 GRF177R97	4P	4.1	3329	229.95	31	1.20	GR107 GRF107	6P	0.34	41573	4063	128	0.90			4.6	2941	203.16	33	1.35			0.40	36089	3527	128	1.00			5.5	2495	172.34	34	1.60			0.44	32610	3187	128	1.10			5.9	2297	158.68	34	1.75	0.51	28353	2771	128	1.30	6.6	2053			141.83	35	1.95	0.55	26102	2551	128	1.40			5.5	2486	255.71	22	1.15	GR97 GRF97	4P	0.61	23350	2282			128	1.55	5.8	2345	241.25	23	1.20			0.68			20996	2052	128	1.75	6.5	2102	216.28	24	1.35					0.76	18786	1836	128	1.95	7.5	1811			186.30	25	1.60			0.98	14601	1427	128	2.50	8.2	1653	170.02	26	1.75	1.14	12514			1223	128	2.90	9.3	1466	150.78	26	1.95			0.60	21535	2332	114	0.85	11	1232	126.75	27	2.30			GR87 GRF87	4P	0.67	19245	2084	114	0.95	12	1132	116.48	27	2.50					0.75	17324	1876	114	1.05	14	1005	103.44	27	2.80					0.83	15486	1677	114	1.15	15			899	92.48	27	3.20			0.97	13335	1444	114	1.35	7.7	1775	182.56	11	0.95	1.1	11913			1290	114	1.50	9.0	1517	156.01	16	1.00	GR87 GRF87	4P	1.2	10407	1127	114	1.75	9.8	1390	143.03	17	1.05	1.4	9308			1008	114	1.95	11	1220	125.51	18	1.20	3.3	3943	427	70			3.30	12	1156	118.94	18	1.30	GR87 GRF87	4P	3.9	3352	363	70	3.90	13	1012	104.10	19	1.45	0.83	15662			1696	39	0.85	15	912	93.79	19	1.65	0.92	14101	1527	57			0.90	17	800	82.27	19	1.85	1.1	12300	1332	61	1.05	19			708	72.88	19	2.10	1.2	10795	1169	63	1.20	22	622	63.96			19	2.40	1.4	9493	1028	65	1.35	23			589	60.61	19	2.50	1.6	8071	874	67	1.60	26			516	53.05	19	2.90	1.8	7120	771	68	1.85	29			465	47.79	19	3.20	2.0	6307	683	68	2.05	33			407	41.92	19	3.70			2.3	5624	609	69	2.30	38	360	37.00	19	4.10	2.6	5070	549	69	2.55																																																																																																																																									
369	28	3.79	2.6	2.40	4.3	2983	323	33	1.45	394	26			3.55	2.6	2.60	3.0	4331	469	27	1.00	GR107R77 GRF107R77	4P	446	23	3.14	2.5	2.80	4.2	3103	336	14	0.95	GR97R57 GRF97R57	4P	481	21	2.91	2.4	3.10	4.7	2733	296	22	1.10	530	19			2.64	2.4	3.50	5.6	2299	249	24	1.30	591	17	2.37	2.3			3.90	6.0	2161	234	25	1.40	686	15	2.04	2.2	4.50	6.7			1930	209	25	1.55	729	14	1.92	2.2	4.80	3.0	4602	229.95			25	0.90	GR107 GRF107	8P	848	12	1.65	2.1	5.60	3.3	4066	203.16	29	1.05	946	11			1.48	2.0	6.10	3.9	3449	172.34	31	1.20	1077	9.5	1.30	1.9			6.40	4.3	3176	158.68	32	1.30	3.7	3636	251.15	30	1.10	0.31	46239	4519	128	0.80	GR177R97 GRF177R97	4P	4.1	3329	229.95	31	1.20	GR107 GRF107	6P	0.34	41573	4063	128	0.90			4.6	2941	203.16	33	1.35			0.40	36089	3527	128	1.00			5.5	2495	172.34	34	1.60			0.44	32610	3187	128	1.10			5.9	2297	158.68	34	1.75	0.51	28353	2771	128	1.30	6.6	2053			141.83	35	1.95	0.55	26102	2551	128	1.40	5.5	2486	255.71	22			1.15	GR97 GRF97	4P	0.61	23350	2282	128	1.55			5.8	2345	241.25	23	1.20			0.68	20996	2052			128	1.75	6.5	2102	216.28	24	1.35			0.76			18786	1836	128	1.95	7.5	1811	186.30	25	1.60					0.98	14601	1427	128	2.50	8.2	1653	170.02	26	1.75	1.14	12514			1223	128	2.90	9.3	1466	150.78	26	1.95	0.60	21535	2332	114			0.85	11	1232	126.75	27	2.30	GR87 GRF87	4P			0.67	19245	2084	114	0.95	12	1132	116.48	27	2.50					0.75	17324	1876	114	1.05	14	1005	103.44	27	2.80					0.83	15486	1677	114	1.15	15	899	92.48	27	3.20					0.97	13335	1444	114	1.35	7.7	1775	182.56	11	0.95	1.1	11913			1290	114	1.50	9.0	1517	156.01	16	1.00	GR87 GRF87	4P	1.2	10407	1127	114	1.75	9.8	1390	143.03	17	1.05	1.4	9308			1008	114	1.95	11	1220	125.51	18	1.20	3.3	3943	427	70			3.30	12	1156	118.94	18	1.30	GR87 GRF87	4P	3.9	3352	363	70	3.90	13	1012	104.10	19	1.45	0.83	15662			1696	39	0.85	15	912	93.79	19	1.65	0.92	14101	1527	57			0.90	17	800	82.27	19	1.85	1.1	12300	1332	61	1.05	19			708	72.88	19	2.10	1.2	10795	1169	63	1.20	22	622	63.96			19	2.40	1.4	9493	1028	65	1.35	23	589	60.61	19	2.50			1.6	8071	874	67	1.60	26	516	53.05			19	2.90	1.8	7120	771	68	1.85	29	465	47.79			19	3.20	2.0	6307	683	68	2.05	33	407	41.92			19	3.70	2.3	5624	609	69	2.30	38	360	37.00			19	4.10	2.6	5070	549	69	2.55																																																																																																																																																							
394	26	3.55	2.6	2.60	3.0	4331	469	27	1.00	GR107R77 GRF107R77	4P	446	23	3.14	2.5	2.80	4.2	3103	336	14	0.95	GR97R57 GRF97R57	4P	481	21	2.91	2.4	3.10	4.7	2733	296	22	1.10			530	19	2.64	2.4	3.50	5.6	2299	249	24	1.30	591	17			2.37	2.3	3.90	6.0	2161	234	25	1.40	686	15	2.04	2.2			4.50	6.7	1930	209	25	1.55	729	14	1.92	2.2	4.80	3.0			4602	229.95	25	0.90	GR107 GRF107	8P	848	12	1.65	2.1	5.60	3.3	4066	203.16	29	1.05			946	11	1.48	2.0	6.10	3.9	3449	172.34	31	1.20	1077	9.5			1.30	1.9	6.40	4.3	3176	158.68	32	1.30	3.7	3636	251.15	30	1.10	0.31	46239	4519	128	0.80	GR177R97 GRF177R97	4P	4.1	3329	229.95	31	1.20	GR107 GRF107	6P	0.34	41573	4063			128	0.90	4.6	2941	203.16			33	1.35	0.40	36089	3527			128	1.00	5.5	2495	172.34			34	1.60	0.44	32610	3187			128	1.10	5.9	2297	158.68	34	1.75	0.51	28353	2771	128	1.30			6.6	2053	141.83	35	1.95	0.55	26102	2551	128	1.40	5.5	2486			255.71	22	1.15	GR97 GRF97	4P	0.61	23350	2282	128	1.55	5.8	2345			241.25			23	1.20	0.68	20996	2052			128	1.75	6.5	2102	216.28			24	1.35	0.76			18786	1836	128	1.95	7.5	1811	186.30			25			1.60	0.98	14601	1427	128	2.50	8.2	1653	170.02		26	1.75		1.14	12514	1223	128	2.90	9.3	1466	150.78	26	1.95	0.60	21535			2332	114	0.85	11	1232	126.75	27	2.30	GR87 GRF87	4P	0.67	19245			2084	114	0.95	12	1132	116.48					27	2.50	0.75	17324	1876	114	1.05	14	1005	103.44					27	2.80	0.83	15486	1677	114	1.15	15	899	92.48					27	3.20	0.97	13335	1444	114	1.35	7.7	1775	182.56			11	0.95	1.1	11913	1290	114	1.50	9.0	1517	156.01	16	1.00	GR87 GRF87	4P	1.2	10407	1127	114	1.75	9.8	1390	143.03	17	1.05			1.4	9308	1008	114	1.95	11	1220	125.51	18	1.20	3.3	3943			427	70	3.30	12	1156	118.94	18	1.30	GR87 GRF87	4P	3.9	3352	363	70	3.90	13	1012	104.10	19	1.45			0.83	15662	1696	39	0.85	15	912	93.79	19	1.65	0.92	14101			1527	57	0.90	17	800	82.27	19	1.85	1.1	12300	1332	61			1.05	19	708	72.88	19	2.10	1.2	10795	1169	63	1.20	22			622	63.96	19	2.40	1.4	9493	1028	65	1.35	23	589	60.61			19	2.50	1.6	8071	874	67	1.60	26	516	53.05	19	2.90			1.8	7120	771	68	1.85	29	465	47.79			19	3.20	2.0	6307	683	68	2.05	33	407	41.92			19	3.70	2.3	5624	609	69	2.30	38	360	37.00			19	4.10	2.6	5070	549	69	2.55																																																																																																																																																																			
446	23	3.14	2.5	2.80	4.2	3103	336	14	0.95	GR97R57 GRF97R57	4P	481	21	2.91	2.4	3.10	4.7	2733	296	22	1.10			530	19	2.64	2.4	3.50	5.6	2299	249	24	1.30			591	17	2.37	2.3	3.90	6.0	2161	234	25	1.40	686	15			2.04	2.2	4.50	6.7	1930	209	25	1.55	729	14	1.92	2.2			4.80	3.0	4602	229.95	25	0.90	GR107 GRF107	8P	848	12	1.65	2.1	5.60	3.3	4066	203.16	29	1.05			946	11	1.48	2.0	6.10	3.9	3449	172.34	31	1.20			1077	9.5	1.30	1.9	6.40	4.3	3176	158.68	32	1.30	3.7	3636	251.15	30	1.10	0.31	46239	4519	128	0.80	GR177R97 GRF177R97	4P	4.1	3329	229.95	31	1.20	GR107 GRF107	6P	0.34	41573	4063			128	0.90	4.6	2941	203.16			33	1.35	0.40			36089	3527	128	1.00	5.5			2495	172.34	34	1.60	0.44			32610	3187	128	1.10	5.9	2297	158.68	34	1.75	0.51	28353	2771			128	1.30	6.6	2053	141.83	35	1.95	0.55	26102	2551	128	1.40			5.5	2486	255.71	22	1.15	GR97 GRF97	4P	0.61	23350	2282	128	1.55			5.8	2345	241.25			23	1.20	0.68	20996	2052	128	1.75			6.5			2102	216.28	24	1.35	0.76			18786	1836	128	1.95	7.5			1811	186.30	25			1.60	0.98	14601	1427	128	2.50	8.2			1653	170.02	26	1.75	1.14	12514	1223	128	2.90	9.3	1466	150.78		26	1.95		0.60	21535	2332	114	0.85	11	1232	126.75	27	2.30	GR87 GRF87	4P			0.67	19245	2084	114	0.95	12	1132	116.48			27	2.50			0.75	17324	1876	114	1.05	14					1005	103.44	27	2.80	0.83	15486	1677	114	1.15	15					899	92.48	27	3.20	0.97	13335	1444	114	1.35	7.7	1775	182.56			11	0.95	1.1	11913	1290	114	1.50	9.0	1517	156.01	16	1.00	GR87 GRF87	4P	1.2	10407	1127	114	1.75	9.8	1390	143.03	17	1.05			1.4	9308	1008	114	1.95	11	1220	125.51	18	1.20			3.3	3943	427	70	3.30	12	1156	118.94	18	1.30	GR87 GRF87	4P	3.9	3352	363	70	3.90	13	1012	104.10	19	1.45			0.83	15662	1696	39	0.85	15	912	93.79	19	1.65			0.92	14101	1527	57	0.90	17	800	82.27	19	1.85	1.1	12300			1332	61	1.05	19	708	72.88	19	2.10	1.2	10795	1169	63			1.20	22	622	63.96	19	2.40	1.4	9493	1028	65	1.35	23			589	60.61	19	2.50	1.6	8071	874	67	1.60	26	516	53.05			19	2.90	1.8	7120	771	68	1.85	29	465	47.79	19	3.20			2.0	6307	683	68	2.05	33	407	41.92			19	3.70	2.3	5624	609	69	2.30	38	360	37.00			19	4.10	2.6	5070	549	69	2.55																																																																																																																																																																															
481	21	2.91	2.4	3.10	4.7	2733	296	22	1.10			530	19	2.64	2.4	3.50	5.6	2299	249	24	1.30			591	17	2.37	2.3	3.90	6.0	2161	234	25	1.40			686	15	2.04	2.2	4.50	6.7	1930	209	25	1.55	729	14			1.92	2.2	4.80	3.0	4602	229.95	25	0.90	GR107 GRF107	8P	848	12	1.65	2.1	5.60	3.3	4066	203.16	29	1.05			946	11	1.48	2.0	6.10	3.9	3449	172.34	31	1.20			1077	9.5	1.30	1.9	6.40	4.3	3176	158.68	32	1.30	3.7	3636	251.15	30	1.10	0.31	46239	4519	128	0.80	GR177R97 GRF177R97	4P	4.1	3329	229.95	31	1.20	GR107 GRF107	6P	0.34	41573	4063			128	0.90	4.6	2941	203.16			33	1.35	0.40			36089	3527	128	1.00	5.5			2495	172.34	34			1.60	0.44	32610	3187	128	1.10	5.9	2297	158.68	34	1.75	0.51			28353	2771	128	1.30	6.6	2053	141.83	35	1.95	0.55	26102	2551			128	1.40	5.5	2486	255.71	22	1.15	GR97 GRF97	4P	0.61	23350	2282			128	1.55	5.8	2345	241.25			23	1.20	0.68	20996	2052			128	1.75	6.5			2102	216.28	24	1.35	0.76	18786	1836			128			1.95	7.5	1811	186.30	25			1.60	0.98	14601	1427	128			2.50	8.2	1653	170.02	26	1.75	1.14	12514	1223	128	2.90	9.3			1466	150.78	26	1.95	0.60	21535	2332	114	0.85	11	1232	126.75		27	2.30		GR87 GRF87	4P	0.67	19245	2084	114	0.95	12	1132	116.48					27	2.50	0.75	17324	1876	114	1.05	14			1005	103.44			27	2.80	0.83	15486	1677	114					1.15	15	899	92.48	27	3.20	0.97	13335	1444	114	1.35	7.7			1775	182.56	11	0.95	1.1	11913	1290	114	1.50	9.0	1517	156.01	16	1.00	GR87 GRF87	4P	1.2	10407	1127	114	1.75	9.8	1390	143.03	17	1.05			1.4	9308	1008	114	1.95	11	1220	125.51	18	1.20			3.3	3943	427	70	3.30	12	1156	118.94	18	1.30	GR87 GRF87	4P	3.9	3352	363	70	3.90	13	1012	104.10	19	1.45			0.83	15662	1696	39	0.85	15	912	93.79	19	1.65			0.92	14101	1527	57	0.90	17	800	82.27	19	1.85			1.1	12300	1332	61	1.05	19	708	72.88	19	2.10	1.2	10795			1169	63	1.20	22	622	63.96	19	2.40	1.4	9493	1028	65			1.35	23	589	60.61	19	2.50	1.6	8071	874	67	1.60	26			516	53.05	19	2.90	1.8	7120	771	68	1.85	29	465	47.79			19	3.20	2.0	6307	683	68	2.05	33	407	41.92	19	3.70			2.3	5624	609	69	2.30	38	360	37.00			19	4.10	2.6	5070	549	69	2.55																																																																																																																																																																																											
530	19	2.64	2.4	3.50	5.6	2299	249	24	1.30			591	17	2.37	2.3	3.90	6.0	2161	234	25	1.40			686	15	2.04	2.2	4.50	6.7	1930	209	25	1.55			729	14	1.92	2.2	4.80	3.0	4602	229.95	25	0.90	GR107 GRF107	8P	848	12	1.65	2.1	5.60	3.3	4066	203.16	29	1.05			946	11	1.48	2.0	6.10	3.9	3449	172.34	31	1.20			1077	9.5	1.30	1.9	6.40	4.3	3176	158.68	32	1.30	3.7	3636	251.15	30	1.10	0.31	46239	4519	128	0.80	GR177R97 GRF177R97	4P	4.1	3329	229.95	31	1.20	GR107 GRF107	6P	0.34	41573	4063			128	0.90	4.6	2941	203.16			33	1.35	0.40			36089	3527	128	1.00	5.5			2495	172.34	34			1.60	0.44	32610	3187	128	1.10	5.9	2297	158.68	34			1.75	0.51	28353	2771	128	1.30	6.6	2053	141.83	35	1.95	0.55			26102	2551	128	1.40	5.5	2486	255.71	22	1.15	GR97 GRF97	4P	0.61			23350	2282	128	1.55	5.8	2345	241.25			23	1.20	0.68			20996	2052	128	1.75	6.5			2102	216.28	24	1.35	0.76			18786	1836	128			1.95	7.5	1811	186.30	25	1.60	0.98			14601			1427	128	2.50	8.2	1653	170.02	26	1.75	1.14	12514	1223	128			2.90	9.3	1466	150.78	26	1.95	0.60	21535	2332	114	0.85	11			1232	126.75	27	2.30	GR87 GRF87	4P	0.67	19245	2084	114	0.95	12		1132	116.48				27	2.50	0.75	17324	1876	114	1.05	14					1005	103.44	27	2.80	0.83	15486	1677	114			1.15	15			899	92.48	27	3.20	0.97	13335			1444	114	1.35	7.7	1775	182.56	11	0.95	1.1	11913	1290	114	1.50	9.0	1517	156.01	16	1.00	GR87 GRF87	4P	1.2	10407	1127	114	1.75	9.8	1390	143.03	17	1.05			1.4	9308	1008	114	1.95	11	1220	125.51	18	1.20			3.3	3943	427	70	3.30	12	1156	118.94	18	1.30	GR87 GRF87	4P	3.9	3352	363	70	3.90	13	1012	104.10	19	1.45			0.83	15662	1696	39	0.85	15	912	93.79	19	1.65			0.92	14101	1527	57	0.90	17	800	82.27	19	1.85			1.1	12300	1332	61	1.05	19	708	72.88	19	2.10			1.2	10795	1169	63	1.20	22	622	63.96	19	2.40	1.4	9493			1028	65	1.35	23	589	60.61	19	2.50	1.6	8071	874	67			1.60	26	516	53.05	19	2.90	1.8	7120	771	68	1.85	29			465	47.79	19	3.20	2.0	6307	683	68	2.05	33	407	41.92			19	3.70	2.3	5624	609	69	2.30	38	360	37.00	19	4.10			2.6	5070	549	69	2.55																																																																																																																																																																																																							
591	17	2.37	2.3	3.90	6.0	2161	234	25	1.40			686	15	2.04	2.2	4.50	6.7	1930	209	25	1.55			729	14	1.92	2.2	4.80	3.0	4602	229.95	25	0.90	GR107 GRF107	8P	848	12	1.65	2.1	5.60	3.3	4066	203.16	29	1.05			946	11	1.48	2.0	6.10	3.9	3449	172.34	31	1.20			1077	9.5	1.30	1.9	6.40	4.3	3176	158.68	32	1.30	3.7	3636	251.15	30	1.10	0.31	46239	4519	128	0.80	GR177R97 GRF177R97	4P	4.1	3329	229.95	31	1.20	GR107 GRF107	6P	0.34	41573	4063			128	0.90	4.6	2941	203.16			33	1.35	0.40			36089	3527	128	1.00	5.5			2495	172.34	34			1.60	0.44	32610	3187	128	1.10	5.9	2297	158.68	34			1.75	0.51	28353	2771	128	1.30	6.6	2053	141.83	35			1.95	0.55	26102	2551	128	1.40	5.5	2486	255.71	22	1.15	GR97 GRF97			4P	0.61	23350	2282	128	1.55	5.8	2345	241.25			23			1.20	0.68	20996	2052	128	1.75	6.5			2102	216.28	24			1.35	0.76	18786	1836	128			1.95	7.5	1811	186.30	25			1.60	0.98	14601			1427	128	2.50	8.2	1653	170.02	26	1.75	1.14	12514			1223	128	2.90	9.3	1466	150.78	26	1.95	0.60	21535	2332	114			0.85	11	1232	126.75	27	2.30	GR87 GRF87	4P	0.67	19245	2084	114			0.95	12	1132	116.48			27	2.50	0.75	17324	1876	114		1.05	14				1005	103.44	27	2.80	0.83	15486	1677	114					1.15	15	899	92.48	27	3.20	0.97	13335			1444	114	1.35	7.7	1775	182.56	11	0.95	1.1	11913	1290	114	1.50	9.0	1517	156.01	16	1.00	GR87 GRF87	4P	1.2	10407	1127	114	1.75	9.8	1390	143.03	17	1.05			1.4	9308	1008	114	1.95	11	1220	125.51	18	1.20			3.3	3943	427	70	3.30	12	1156	118.94	18	1.30	GR87 GRF87	4P	3.9	3352	363	70	3.90	13	1012	104.10	19	1.45			0.83	15662	1696	39	0.85	15	912	93.79	19	1.65			0.92	14101	1527	57	0.90	17	800	82.27	19	1.85			1.1	12300	1332	61	1.05	19	708	72.88	19	2.10			1.2	10795	1169	63	1.20	22	622	63.96	19	2.40			1.4	9493	1028	65	1.35	23	589	60.61	19	2.50	1.6	8071			874	67	1.60	26	516	53.05	19	2.90	1.8	7120	771	68			1.85	29	465	47.79	19	3.20	2.0	6307	683	68	2.05	33			407	41.92	19	3.70	2.3	5624	609	69	2.30	38	360	37.00			19	4.10	2.6	5070	549	69	2.55																																																																																																																																																																																																																			
686	15	2.04	2.2	4.50	6.7	1930	209	25	1.55			729	14	1.92	2.2	4.80	3.0	4602	229.95	25	0.90	GR107 GRF107	8P	848	12	1.65	2.1	5.60	3.3	4066	203.16	29	1.05			946	11	1.48	2.0	6.10	3.9	3449	172.34	31	1.20			1077	9.5	1.30	1.9	6.40	4.3	3176	158.68	32	1.30	3.7	3636	251.15	30	1.10	0.31	46239	4519	128	0.80	GR177R97 GRF177R97	4P	4.1	3329	229.95	31	1.20	GR107 GRF107	6P	0.34	41573	4063			128	0.90	4.6	2941	203.16			33	1.35	0.40			36089	3527	128	1.00	5.5			2495	172.34	34			1.60	0.44	32610	3187	128	1.10	5.9	2297	158.68	34			1.75	0.51	28353	2771	128	1.30	6.6	2053	141.83	35			1.95	0.55	26102	2551	128	1.40	5.5	2486	255.71	22			1.15	GR97 GRF97	4P	0.61	23350	2282	128	1.55	5.8	2345	241.25					23	1.20	0.68	20996	2052	128	1.75	6.5			2102			216.28	24	1.35	0.76	18786	1836	128			1.95	7.5	1811			186.30	25	1.60	0.98	14601			1427	128	2.50	8.2	1653	170.02	26	1.75	1.14	12514			1223	128	2.90	9.3	1466	150.78	26	1.95	0.60	21535			2332	114	0.85	11	1232	126.75	27	2.30	GR87 GRF87	4P	0.67	19245			2084	114	0.95	12	1132	116.48			27	2.50	0.75	17324			1876	114	1.05	14			1005	103.44	27	2.80	0.83	15486		1677	114				1.15	15	899	92.48	27	3.20	0.97	13335			1444	114	1.35	7.7	1775	182.56	11	0.95	1.1	11913	1290	114	1.50	9.0	1517	156.01	16	1.00	GR87 GRF87	4P	1.2	10407	1127	114	1.75	9.8	1390	143.03	17	1.05			1.4	9308	1008	114	1.95	11	1220	125.51	18	1.20			3.3	3943	427	70	3.30	12	1156	118.94	18	1.30	GR87 GRF87	4P	3.9	3352	363	70	3.90	13	1012	104.10	19	1.45			0.83	15662	1696	39	0.85	15	912	93.79	19	1.65			0.92	14101	1527	57	0.90	17	800	82.27	19	1.85			1.1	12300	1332	61	1.05	19	708	72.88	19	2.10			1.2	10795	1169	63	1.20	22	622	63.96	19	2.40			1.4	9493	1028	65	1.35	23	589	60.61	19	2.50			1.6	8071	874	67	1.60	26	516	53.05	19	2.90	1.8	7120			771	68	1.85	29	465	47.79	19	3.20	2.0	6307	683	68			2.05	33	407	41.92	19	3.70	2.3	5624	609	69	2.30	38			360	37.00	19	4.10	2.6	5070	549	69	2.55																																																																																																																																																																																																																															
729	14	1.92	2.2	4.80	3.0	4602	229.95	25	0.90	GR107 GRF107	8P	848	12	1.65	2.1	5.60	3.3	4066	203.16	29	1.05			946	11	1.48	2.0	6.10	3.9	3449	172.34	31	1.20			1077	9.5	1.30	1.9	6.40	4.3	3176	158.68	32	1.30	3.7	3636	251.15	30	1.10	0.31	46239	4519	128	0.80	GR177R97 GRF177R97	4P	4.1	3329	229.95	31	1.20	GR107 GRF107	6P	0.34	41573	4063			128	0.90	4.6	2941	203.16			33	1.35	0.40			36089	3527	128	1.00	5.5			2495	172.34	34			1.60	0.44	32610	3187	128	1.10	5.9	2297	158.68	34			1.75	0.51	28353	2771	128	1.30	6.6	2053	141.83	35			1.95	0.55	26102	2551	128	1.40	5.5	2486	255.71	22			1.15	GR97 GRF97	4P	0.61	23350	2282	128	1.55	5.8	2345			241.25			23	1.20	0.68	20996	2052	128	1.75	6.5					2102	216.28	24	1.35	0.76	18786	1836	128			1.95			7.5	1811	186.30	25	1.60	0.98	14601			1427	128	2.50	8.2	1653	170.02	26	1.75	1.14	12514			1223	128	2.90	9.3	1466	150.78	26	1.95	0.60	21535			2332	114	0.85	11	1232	126.75	27	2.30	GR87 GRF87	4P			0.67	19245	2084	114	0.95	12	1132	116.48			27	2.50			0.75	17324	1876	114	1.05	14			1005	103.44	27	2.80			0.83	15486	1677	114			1.15	15	899	92.48	27	3.20	0.97	13335	1444	114			1.35	7.7	1775	182.56	11	0.95	1.1	11913	1290	114	1.50	9.0	1517	156.01	16	1.00	GR87 GRF87	4P	1.2	10407	1127	114	1.75	9.8	1390	143.03	17	1.05			1.4	9308	1008	114	1.95	11	1220	125.51	18	1.20			3.3	3943	427	70	3.30	12	1156	118.94	18	1.30	GR87 GRF87	4P	3.9	3352	363	70	3.90	13	1012	104.10	19	1.45			0.83	15662	1696	39	0.85	15	912	93.79	19	1.65			0.92	14101	1527	57	0.90	17	800	82.27	19	1.85			1.1	12300	1332	61	1.05	19	708	72.88	19	2.10			1.2	10795	1169	63	1.20	22	622	63.96	19	2.40			1.4	9493	1028	65	1.35	23	589	60.61	19	2.50			1.6	8071	874	67	1.60	26	516	53.05	19	2.90			1.8	7120	771	68	1.85	29	465	47.79	19	3.20	2.0	6307			683	68	2.05	33	407	41.92	19	3.70	2.3	5624	609	69			2.30	38	360	37.00	19	4.10	2.6	5070	549	69	2.55																																																																																																																																																																																																																																											
848	12	1.65	2.1	5.60	3.3	4066	203.16	29	1.05			946	11	1.48	2.0	6.10	3.9	3449	172.34	31	1.20			1077	9.5	1.30	1.9	6.40	4.3	3176	158.68	32	1.30	3.7	3636	251.15	30	1.10	0.31	46239	4519	128	0.80	GR177R97 GRF177R97	4P	4.1	3329	229.95	31	1.20	GR107 GRF107	6P	0.34	41573	4063			128	0.90	4.6	2941	203.16			33	1.35	0.40			36089	3527	128	1.00	5.5			2495	172.34	34			1.60	0.44	32610	3187	128	1.10	5.9	2297	158.68	34			1.75	0.51	28353	2771	128	1.30	6.6	2053	141.83	35			1.95	0.55	26102	2551	128	1.40	5.5	2486	255.71	22			1.15	GR97 GRF97	4P	0.61	23350	2282	128	1.55	5.8	2345			241.25			23	1.20	0.68	20996	2052	128	1.75			6.5			2102	216.28	24	1.35	0.76	18786	1836	128					1.95	7.5	1811	186.30	25	1.60	0.98	14601			1427	128	2.50	8.2	1653	170.02	26	1.75	1.14	12514			1223	128	2.90	9.3	1466	150.78	26	1.95	0.60	21535			2332	114	0.85	11	1232	126.75	27	2.30	GR87 GRF87	4P			0.67	19245	2084	114	0.95	12	1132	116.48					27	2.50	0.75	17324	1876	114	1.05	14			1005	103.44			27	2.80	0.83	15486	1677	114			1.15	15	899	92.48	27	3.20	0.97	13335	1444	114			1.35	7.7	1775	182.56	11	0.95	1.1	11913	1290	114	1.50	9.0	1517	156.01	16	1.00	GR87 GRF87	4P	1.2	10407	1127	114	1.75	9.8	1390	143.03	17	1.05			1.4	9308	1008	114	1.95	11	1220	125.51	18	1.20			3.3	3943	427	70	3.30	12	1156	118.94	18	1.30	GR87 GRF87	4P	3.9	3352	363	70	3.90	13	1012	104.10	19	1.45			0.83	15662	1696	39	0.85	15	912	93.79	19	1.65			0.92	14101	1527	57	0.90	17	800	82.27	19	1.85			1.1	12300	1332	61	1.05	19	708	72.88	19	2.10			1.2	10795	1169	63	1.20	22	622	63.96	19	2.40			1.4	9493	1028	65	1.35	23	589	60.61	19	2.50			1.6	8071	874	67	1.60	26	516	53.05	19	2.90			1.8	7120	771	68	1.85	29	465	47.79	19	3.20			2.0	6307	683	68	2.05	33	407	41.92	19	3.70	2.3	5624			609	69	2.30	38	360	37.00	19	4.10	2.6	5070	549	69	2.55																																																																																																																																																																																																																																																							
946	11	1.48	2.0	6.10	3.9	3449	172.34	31	1.20			1077	9.5	1.30	1.9	6.40	4.3	3176	158.68	32	1.30	3.7	3636	251.15	30	1.10	0.31	46239	4519	128	0.80	GR177R97 GRF177R97	4P	4.1	3329	229.95	31	1.20	GR107 GRF107	6P	0.34	41573	4063			128	0.90	4.6	2941	203.16			33	1.35	0.40			36089	3527	128	1.00	5.5			2495	172.34	34			1.60	0.44	32610	3187	128	1.10	5.9	2297	158.68	34			1.75	0.51	28353	2771	128	1.30	6.6	2053	141.83	35			1.95	0.55	26102	2551	128	1.40	5.5	2486	255.71	22			1.15	GR97 GRF97	4P	0.61	23350	2282	128	1.55	5.8	2345			241.25			23	1.20	0.68	20996	2052	128	1.75			6.5			2102	216.28	24	1.35	0.76	18786	1836			128			1.95	7.5	1811	186.30	25	1.60	0.98	14601		1427	128		2.50	8.2	1653	170.02	26	1.75	1.14	12514			1223	128	2.90	9.3	1466	150.78	26	1.95	0.60	21535			2332	114	0.85	11	1232	126.75	27	2.30	GR87 GRF87	4P			0.67	19245	2084	114	0.95	12	1132	116.48					27	2.50	0.75	17324	1876	114	1.05	14					1005	103.44	27	2.80	0.83	15486	1677	114			1.15	15	899	92.48	27	3.20	0.97	13335	1444	114			1.35	7.7	1775	182.56	11	0.95	1.1	11913	1290	114	1.50	9.0	1517	156.01	16	1.00	GR87 GRF87	4P	1.2	10407	1127	114	1.75	9.8	1390	143.03	17	1.05			1.4	9308	1008	114	1.95	11	1220	125.51	18	1.20			3.3	3943	427	70	3.30	12	1156	118.94	18	1.30	GR87 GRF87	4P	3.9	3352	363	70	3.90	13	1012	104.10	19	1.45			0.83	15662	1696	39	0.85	15	912	93.79	19	1.65			0.92	14101	1527	57	0.90	17	800	82.27	19	1.85			1.1	12300	1332	61	1.05	19	708	72.88	19	2.10			1.2	10795	1169	63	1.20	22	622	63.96	19	2.40			1.4	9493	1028	65	1.35	23	589	60.61	19	2.50			1.6	8071	874	67	1.60	26	516	53.05	19	2.90			1.8	7120	771	68	1.85	29	465	47.79	19	3.20			2.0	6307	683	68	2.05	33	407	41.92	19	3.70			2.3	5624	609	69	2.30	38	360	37.00	19	4.10	2.6	5070	549	69	2.55																																																																																																																																																																																																																																																																			
1077	9.5	1.30	1.9	6.40	4.3	3176	158.68	32	1.30	3.7	3636	251.15	30	1.10	0.31	46239	4519	128	0.80	GR177R97 GRF177R97	4P	4.1	3329	229.95	31	1.20	GR107 GRF107	6P	0.34	41573	4063			128	0.90	4.6	2941	203.16			33	1.35	0.40			36089	3527	128	1.00	5.5			2495	172.34	34			1.60	0.44	32610	3187	128	1.10	5.9	2297	158.68	34			1.75	0.51	28353	2771	128	1.30	6.6	2053	141.83	35			1.95	0.55	26102	2551	128	1.40	5.5	2486	255.71	22			1.15	GR97 GRF97	4P	0.61	23350	2282	128	1.55	5.8	2345			241.25			23	1.20	0.68	20996	2052	128	1.75			6.5			2102	216.28	24	1.35	0.76	18786	1836			128			1.95	7.5	1811	186.30	25	1.60	0.98	14601	1427	128			2.50	8.2	1653	170.02	26	1.75	1.14	12514		1223	128		2.90	9.3	1466	150.78	26	1.95	0.60	21535			2332	114	0.85	11	1232	126.75	27	2.30	GR87 GRF87	4P			0.67	19245	2084	114	0.95	12	1132	116.48					27	2.50	0.75	17324	1876	114	1.05	14					1005	103.44	27	2.80	0.83	15486	1677	114			1.15	15	899	92.48	27	3.20	0.97	13335	1444	114			1.35	7.7	1775	182.56	11	0.95	1.1	11913	1290	114	1.50	9.0	1517	156.01	16	1.00	GR87 GRF87	4P	1.2	10407	1127	114	1.75	9.8	1390	143.03	17	1.05			1.4	9308	1008	114	1.95	11	1220	125.51	18	1.20			3.3	3943	427	70	3.30	12	1156	118.94	18	1.30	GR87 GRF87	4P	3.9	3352	363	70	3.90	13	1012	104.10	19	1.45			0.83	15662	1696	39	0.85	15	912	93.79	19	1.65			0.92	14101	1527	57	0.90	17	800	82.27	19	1.85			1.1	12300	1332	61	1.05	19	708	72.88	19	2.10			1.2	10795	1169	63	1.20	22	622	63.96	19	2.40			1.4	9493	1028	65	1.35	23	589	60.61	19	2.50			1.6	8071	874	67	1.60	26	516	53.05	19	2.90			1.8	7120	771	68	1.85	29	465	47.79	19	3.20			2.0	6307	683	68	2.05	33	407	41.92	19	3.70			2.3	5624	609	69	2.30	38	360	37.00	19	4.10	2.6	5070	549	69	2.55																																																																																																																																																																																																																																																																															
0.31	46239	4519	128	0.80	GR177R97 GRF177R97	4P	4.1	3329	229.95	31	1.20	GR107 GRF107	6P	0.34	41573	4063	128	0.90	4.6			2941	203.16	33	1.35	0.40			36089	3527	128			1.00	5.5	2495	172.34	34			1.60	0.44	32610			3187	128	1.10	5.9	2297	158.68	34	1.75	0.51	28353			2771	128	1.30	6.6	2053	141.83	35	1.95	0.55	26102			2551	128	1.40	5.5	2486	255.71	22	1.15	GR97 GRF97	4P			0.61	23350	2282	128	1.55	5.8	2345	241.25	23	1.20			0.68			20996	2052	128	1.75	6.5	2102	216.28			24			1.35	0.76	18786	1836	128	1.95	7.5			1811			186.30	25	1.60	0.98	14601	1427	128	2.50	8.2	1653			170.02	26	1.75	1.14	12514	1223	128	2.90	9.3	1466			150.78	26	1.95	0.60	21535	2332	114	0.85		11	1232		126.75	27	2.30	GR87 GRF87	4P	0.67	19245	2084			114	0.95	12	1132	116.48	27	2.50	0.75					17324	1876	114	1.05	14	1005	103.44	27					2.80	0.83	15486	1677	114	1.15	15	899			92.48	27	3.20	0.97	13335	1444	114	1.35	7.7	1775			182.56	11	0.95	1.1	11913	1290	114	1.50	9.0	1517	156.01	16	1.00	GR87 GRF87	4P	1.2	10407	1127	114	1.75	9.8	1390	143.03	17	1.05	1.4	9308	1008			114	1.95	11	1220	125.51	18	1.20	3.3	3943	427			70	3.30	12	1156	118.94	18	1.30	GR87 GRF87	4P	3.9	3352	363	70	3.90	13	1012	104.10	19	1.45	0.83	15662	1696			39	0.85	15	912	93.79	19	1.65	0.92	14101	1527			57	0.90	17	800	82.27	19	1.85	1.1	12300	1332			61	1.05	19	708	72.88	19	2.10	1.2	10795	1169			63	1.20	22	622	63.96	19	2.40	1.4	9493	1028			65	1.35	23	589	60.61	19	2.50	1.6	8071	874			67	1.60	26	516	53.05	19	2.90	1.8	7120	771			68	1.85	29	465	47.79	19	3.20	2.0	6307	683			68	2.05	33	407	41.92	19	3.70	2.3	5624	609			69	2.30	38	360	37.00	19	4.10	2.6	5070	549	69	2.55																																																																																																																																																																																																																																																																																														
0.34	41573	4063	128	0.90			4.6	2941	203.16	33	1.35			0.40	36089	3527	128	1.00	5.5			2495	172.34	34	1.60	0.44			32610	3187	128			1.10	5.9	2297	158.68	34	1.75	0.51	28353	2771	128			1.30	6.6	2053	141.83	35	1.95	0.55	26102	2551	128			1.40	5.5	2486	255.71	22	1.15	GR97 GRF97	4P	0.61	23350			2282	128	1.55	5.8	2345	241.25	23	1.20					0.68	20996	2052	128	1.75	6.5	2102	216.28	24	1.35			0.76			18786	1836	128	1.95	7.5	1811	186.30			25			1.60	0.98	14601	1427	128	2.50	8.2	1653	170.02	26			1.75	1.14	12514	1223	128	2.90	9.3	1466	150.78	26			1.95	0.60	21535	2332	114	0.85	11	1232	126.75	27			2.30	GR87 GRF87	4P	0.67	19245	2084	114	0.95		12	1132		116.48	27	2.50			0.75	17324	1876			114	1.05	14	1005	103.44	27	2.80	0.83					15486	1677	114	1.15	15	899	92.48	27			3.20	0.97	13335	1444	114	1.35	7.7	1775	182.56	11			0.95	1.1	11913	1290	114	1.50	9.0	1517	156.01	16	1.00	GR87 GRF87	4P	1.2	10407	1127	114	1.75	9.8	1390	143.03	17	1.05	1.4	9308			1008	114	1.95	11	1220	125.51	18	1.20	3.3	3943	427	70	3.30			12	1156	118.94	18	1.30	GR87 GRF87	4P	3.9	3352	363	70	3.90	13	1012	104.10	19	1.45	0.83	15662			1696	39	0.85	15	912	93.79	19	1.65	0.92	14101	1527	57	0.90			17	800	82.27	19	1.85	1.1	12300	1332	61	1.05			19	708	72.88	19	2.10	1.2	10795	1169	63	1.20			22	622	63.96	19	2.40	1.4	9493	1028	65	1.35			23	589	60.61	19	2.50	1.6	8071	874	67	1.60			26	516	53.05	19	2.90	1.8	7120	771	68	1.85			29	465	47.79	19	3.20	2.0	6307	683	68	2.05			33	407	41.92	19	3.70	2.3	5624	609	69	2.30			38	360	37.00	19	4.10	2.6	5070	549	69	2.55																																																																																																																																																																																																																																																																																																												
0.40	36089	3527	128	1.00			5.5	2495	172.34	34	1.60			0.44	32610	3187	128	1.10	5.9			2297	158.68	34	1.75	0.51	28353	2771	128	1.30	6.6			2053	141.83	35	1.95	0.55	26102	2551	128	1.40	5.5			2486	255.71	22	1.15	GR97 GRF97	4P	0.61	23350	2282	128			1.55	5.8	2345	241.25	23	1.20			0.68	20996			2052	128	1.75	6.5	2102	216.28	24	1.35					0.76	18786	1836	128	1.95	7.5	1811	186.30	25	1.60			0.98			14601	1427	128	2.50	8.2	1653	170.02	26	1.75	1.14			12514	1223	128	2.90	9.3	1466	150.78	26	1.95	0.60			21535	2332	114	0.85	11	1232	126.75	27	2.30	GR87 GRF87			4P	0.67	19245	2084	114	0.95	12	1132	116.48	27			2.50			0.75	17324	1876	114	1.05		14	1005		103.44	27	2.80			0.83	15486	1677			114	1.15	15	899	92.48	27	3.20	0.97			13335	1444	114	1.35	7.7	1775	182.56	11	0.95	1.1			11913	1290	114	1.50	9.0	1517	156.01	16	1.00	GR87 GRF87	4P	1.2	10407	1127	114	1.75	9.8	1390	143.03	17	1.05	1.4	9308			1008	114	1.95	11	1220	125.51	18	1.20	3.3	3943	427	70			3.30	12	1156	118.94	18	1.30	GR87 GRF87	4P	3.9	3352	363	70	3.90	13	1012	104.10	19	1.45	0.83	15662			1696	39	0.85	15	912	93.79	19	1.65	0.92	14101	1527	57			0.90	17	800	82.27	19	1.85	1.1	12300	1332	61	1.05	19	708			72.88	19	2.10	1.2	10795	1169	63	1.20	22	622			63.96	19	2.40	1.4	9493	1028	65	1.35	23	589			60.61	19	2.50	1.6	8071	874	67	1.60	26	516			53.05	19	2.90	1.8	7120	771	68	1.85	29	465			47.79	19	3.20	2.0	6307	683	68	2.05	33	407			41.92	19	3.70	2.3	5624	609	69	2.30	38	360			37.00	19	4.10	2.6	5070	549	69	2.55																																																																																																																																																																																																																																																																																																																										
0.44	32610	3187	128	1.10			5.9	2297	158.68	34	1.75	0.51	28353	2771	128	1.30	6.6	2053	141.83			35	1.95	0.55	26102	2551	128	1.40	5.5	2486	255.71			22	1.15	GR97 GRF97	4P	0.61	23350	2282	128	1.55	5.8			2345	241.25	23	1.20			0.68	20996	2052	128			1.75	6.5	2102	216.28	24	1.35			0.76	18786			1836	128	1.95	7.5	1811	186.30	25	1.60					0.98	14601	1427	128	2.50	8.2	1653	170.02	26	1.75	1.14	12514	1223			128	2.90	9.3	1466	150.78	26	1.95	0.60	21535	2332			114	0.85	11	1232	126.75	27	2.30	GR87 GRF87	4P	0.67			19245	2084	114	0.95	12	1132	116.48	27	2.50					0.75	17324	1876	114	1.05	14	1005	103.44	27			2.80			0.83	15486	1677	114	1.15		15	899		92.48	27	3.20			0.97	13335	1444	114	1.35	7.7	1775	182.56	11	0.95	1.1	11913	1290			114	1.50	9.0	1517	156.01	16	1.00	GR87 GRF87	4P	1.2	10407	1127	114	1.75	9.8	1390	143.03	17	1.05	1.4	9308			1008	114	1.95	11	1220	125.51	18	1.20	3.3	3943	427	70			3.30	12	1156	118.94	18	1.30	GR87 GRF87	4P	3.9	3352	363	70	3.90	13	1012	104.10	19	1.45	0.83	15662			1696	39	0.85	15	912	93.79	19	1.65	0.92	14101	1527	57			0.90	17	800	82.27	19	1.85	1.1	12300	1332	61	1.05	19			708	72.88	19	2.10	1.2	10795	1169	63	1.20	22	622	63.96	19			2.40	1.4	9493	1028	65	1.35	23	589	60.61	19			2.50	1.6	8071	874	67	1.60	26	516	53.05	19			2.90	1.8	7120	771	68	1.85	29	465	47.79	19			3.20	2.0	6307	683	68	2.05	33	407	41.92	19			3.70	2.3	5624	609	69	2.30	38	360	37.00	19			4.10	2.6	5070	549	69	2.55																																																																																																																																																																																																																																																																																																																																								
0.51	28353	2771	128	1.30			6.6	2053	141.83	35	1.95	0.55	26102	2551	128	1.40	5.5	2486	255.71			22	1.15	GR97 GRF97	4P	0.61	23350	2282	128	1.55	5.8			2345	241.25			23	1.20	0.68	20996	2052	128			1.75	6.5	2102	216.28			24	1.35	0.76	18786			1836	128	1.95	7.5	1811	186.30			25	1.60			0.98	14601	1427	128	2.50	8.2	1653	170.02			26	1.75	1.14	12514	1223	128	2.90	9.3	1466	150.78	26	1.95	0.60	21535	2332			114	0.85	11	1232	126.75	27	2.30	GR87 GRF87	4P	0.67			19245	2084	114	0.95	12	1132	116.48			27			2.50	0.75	17324	1876	114	1.05	14	1005	103.44					27	2.80	0.83	15486	1677	114	1.15	15	899			92.48			27	3.20	0.97	13335	1444	114	1.35	7.7	1775	182.56	11	0.95			1.1	11913	1290	114	1.50	9.0	1517	156.01	16	1.00	GR87 GRF87	4P	1.2	10407	1127	114	1.75	9.8	1390	143.03	17	1.05			1.4	9308	1008	114	1.95	11	1220	125.51	18	1.20	3.3	3943			427	70	3.30	12	1156	118.94	18	1.30	GR87 GRF87	4P	3.9	3352	363	70	3.90	13	1012	104.10	19	1.45			0.83	15662	1696	39	0.85	15	912	93.79	19	1.65	0.92	14101			1527	57	0.90	17	800	82.27	19	1.85	1.1	12300	1332	61			1.05	19	708	72.88	19	2.10	1.2	10795	1169	63	1.20	22			622	63.96	19	2.40	1.4	9493	1028	65	1.35	23	589	60.61	19			2.50	1.6	8071	874	67	1.60	26	516	53.05	19			2.90	1.8	7120	771	68	1.85	29	465	47.79	19			3.20	2.0	6307	683	68	2.05	33	407	41.92	19			3.70	2.3	5624	609	69	2.30	38	360	37.00	19			4.10	2.6	5070	549	69	2.55																																																																																																																																																																																																																																																																																																																																																				
0.55	26102	2551	128	1.40			5.5	2486	255.71	22	1.15	GR97 GRF97	4P	0.61	23350	2282	128	1.55	5.8			2345	241.25			23	1.20	0.68	20996	2052	128			1.75	6.5			2102	216.28	24	1.35	0.76	18786			1836	128	1.95	7.5			1811	186.30	25	1.60			0.98	14601	1427	128	2.50	8.2			1653	170.02	26	1.75	1.14	12514	1223	128	2.90	9.3	1466	150.78			26	1.95	0.60	21535	2332	114	0.85	11	1232	126.75	27	2.30	GR87 GRF87	4P	0.67			19245	2084	114	0.95	12	1132	116.48			27			2.50	0.75	17324	1876	114	1.05	14			1005			103.44	27	2.80	0.83	15486	1677	114	1.15	15					899	92.48	27	3.20	0.97	13335	1444	114	1.35	7.7	1775	182.56			11	0.95	1.1	11913	1290	114	1.50	9.0	1517	156.01	16	1.00	GR87 GRF87	4P	1.2	10407	1127	114	1.75	9.8	1390	143.03	17	1.05			1.4	9308	1008	114	1.95	11	1220	125.51	18	1.20			3.3	3943	427	70	3.30	12	1156	118.94	18	1.30	GR87 GRF87	4P	3.9	3352	363	70	3.90	13	1012	104.10	19	1.45			0.83	15662	1696	39	0.85	15	912	93.79	19	1.65			0.92	14101	1527	57	0.90	17	800	82.27	19	1.85	1.1	12300			1332	61	1.05	19	708	72.88	19	2.10	1.2	10795	1169	63			1.20	22	622	63.96	19	2.40	1.4	9493	1028	65	1.35	23			589	60.61	19	2.50	1.6	8071	874	67	1.60	26	516	53.05	19			2.90	1.8	7120	771	68	1.85	29	465	47.79	19			3.20	2.0	6307	683	68	2.05	33	407	41.92	19			3.70	2.3	5624	609	69	2.30	38	360	37.00	19			4.10	2.6	5070	549	69	2.55																																																																																																																																																																																																																																																																																																																																																																
0.61	23350	2282	128	1.55			5.8	2345	241.25	23	1.20			0.68	20996	2052	128	1.75	6.5			2102	216.28			24	1.35	0.76	18786	1836	128			1.95	7.5			1811	186.30	25	1.60	0.98	14601			1427	128	2.50	8.2			1653	170.02	26	1.75	1.14	12514	1223	128	2.90	9.3	1466	150.78			26	1.95	0.60	21535	2332	114	0.85	11	1232	126.75	27	2.30			GR87 GRF87	4P	0.67	19245	2084	114	0.95	12	1132	116.48	27	2.50			0.75			17324	1876	114	1.05	14	1005	103.44			27			2.80	0.83	15486	1677	114	1.15	15			899			92.48	27	3.20	0.97	13335	1444	114	1.35	7.7		1775	182.56		11	0.95	1.1	11913	1290	114	1.50	9.0	1517	156.01	16	1.00	GR87 GRF87	4P	1.2	10407	1127	114	1.75	9.8	1390	143.03	17	1.05	1.4	9308			1008	114	1.95	11	1220	125.51	18	1.20	3.3	3943			427	70	3.30	12	1156	118.94	18	1.30	GR87 GRF87	4P	3.9	3352	363	70	3.90	13	1012	104.10	19	1.45	0.83	15662			1696	39	0.85	15	912	93.79	19	1.65	0.92	14101			1527	57	0.90	17	800	82.27	19	1.85	1.1	12300			1332	61	1.05	19	708	72.88	19	2.10	1.2	10795	1169	63			1.20	22	622	63.96	19	2.40	1.4	9493	1028	65	1.35	23			589	60.61	19	2.50	1.6	8071	874	67	1.60	26	516	53.05			19	2.90	1.8	7120	771	68	1.85	29	465	47.79	19	3.20	2.0			6307	683	68	2.05	33	407	41.92	19	3.70	2.3			5624	609	69	2.30	38	360	37.00	19	4.10	2.6			5070	549	69	2.55																																																																																																																																																																																																																																																																																																																																																																														
0.68	20996	2052	128	1.75			6.5	2102	216.28	24	1.35			0.76	18786	1836	128	1.95	7.5			1811	186.30			25	1.60	0.98	14601	1427	128			2.50	8.2			1653	170.02	26	1.75	1.14	12514	1223	128	2.90	9.3	1466	150.78			26	1.95	0.60	21535	2332	114	0.85	11	1232	126.75	27	2.30			GR87 GRF87	4P	0.67	19245	2084	114	0.95	12	1132	116.48	27	2.50					0.75	17324	1876	114	1.05	14	1005	103.44	27	2.80			0.83			15486	1677	114	1.15	15	899	92.48			27			3.20	0.97	13335	1444	114	1.35	7.7			1775	182.56	11	0.95	1.1	11913	1290	114	1.50	9.0	1517	156.01	16	1.00	GR87 GRF87	4P	1.2	10407	1127	114	1.75	9.8	1390	143.03	17	1.05	1.4	9308			1008	114	1.95	11	1220	125.51	18	1.20	3.3	3943	427	70			3.30	12	1156	118.94	18	1.30	GR87 GRF87	4P	3.9	3352	363	70	3.90	13	1012	104.10	19	1.45	0.83	15662			1696	39	0.85	15	912	93.79	19	1.65	0.92	14101	1527	57			0.90	17	800	82.27	19	1.85	1.1	12300	1332	61			1.05	19	708	72.88	19	2.10	1.2	10795	1169	63			1.20	22	622	63.96	19	2.40	1.4	9493	1028	65	1.35	23			589	60.61	19	2.50	1.6	8071	874	67	1.60	26	516	53.05			19	2.90	1.8	7120	771	68	1.85	29	465	47.79	19	3.20			2.0	6307	683	68	2.05	33	407	41.92	19	3.70	2.3	5624	609			69	2.30	38	360	37.00	19	4.10	2.6	5070	549			69	2.55																																																																																																																																																																																																																																																																																																																																																																																												
0.76	18786	1836	128	1.95			7.5	1811	186.30	25	1.60			0.98	14601	1427	128	2.50	8.2			1653	170.02			26	1.75	1.14	12514	1223	128	2.90	9.3	1466	150.78			26	1.95	0.60	21535	2332	114	0.85	11	1232	126.75	27	2.30			GR87 GRF87	4P	0.67	19245	2084	114	0.95	12	1132	116.48	27	2.50					0.75	17324	1876	114	1.05	14	1005	103.44	27	2.80					0.83	15486	1677	114	1.15	15	899	92.48	27	3.20			0.97			13335	1444	114	1.35	7.7	1775	182.56			11	0.95	1.1	11913	1290	114	1.50	9.0	1517	156.01	16	1.00	GR87 GRF87	4P	1.2	10407	1127	114	1.75	9.8	1390	143.03	17	1.05	1.4	9308			1008	114	1.95	11	1220	125.51	18	1.20	3.3	3943	427	70			3.30	12	1156	118.94	18	1.30	GR87 GRF87	4P	3.9	3352	363	70	3.90	13	1012	104.10	19	1.45	0.83	15662			1696	39	0.85	15	912	93.79	19	1.65	0.92	14101	1527	57			0.90	17	800	82.27	19	1.85	1.1	12300	1332	61	1.05	19			708	72.88	19	2.10	1.2	10795	1169	63	1.20	22			622	63.96	19	2.40	1.4	9493	1028	65	1.35	23			589	60.61	19	2.50	1.6	8071	874	67	1.60	26	516	53.05			19	2.90	1.8	7120	771	68	1.85	29	465	47.79	19	3.20			2.0	6307	683	68	2.05	33	407	41.92	19	3.70	2.3	5624			609	69	2.30	38	360	37.00	19	4.10	2.6	5070	549	69	2.55																																																																																																																																																																																																																																																																																																																																																																																																												
0.98	14601	1427	128	2.50			8.2	1653	170.02	26	1.75			1.14	12514	1223	128	2.90	9.3	1466	150.78	26	1.95			0.60	21535	2332	114	0.85	11	1232	126.75	27	2.30			GR87 GRF87	4P	0.67	19245	2084	114	0.95	12	1132	116.48	27	2.50					0.75	17324	1876	114	1.05	14	1005	103.44	27	2.80					0.83	15486	1677	114	1.15	15	899	92.48	27	3.20					0.97	13335	1444	114	1.35	7.7	1775	182.56	11	0.95			1.1	11913	1290	114	1.50	9.0	1517	156.01	16	1.00	GR87 GRF87	4P	1.2	10407	1127	114	1.75	9.8	1390	143.03	17	1.05	1.4	9308			1008	114	1.95	11	1220	125.51	18	1.20	3.3	3943	427	70			3.30	12	1156	118.94	18	1.30	GR87 GRF87	4P	3.9	3352	363	70	3.90	13	1012	104.10	19	1.45	0.83	15662			1696	39	0.85	15	912	93.79	19	1.65	0.92	14101	1527	57			0.90	17	800	82.27	19	1.85	1.1	12300	1332	61	1.05	19			708	72.88	19	2.10	1.2	10795	1169	63	1.20	22	622	63.96			19	2.40	1.4	9493	1028	65	1.35	23	589	60.61			19	2.50	1.6	8071	874	67	1.60	26	516	53.05			19	2.90	1.8	7120	771	68	1.85	29	465	47.79	19	3.20			2.0	6307	683	68	2.05	33	407	41.92	19	3.70	2.3	5624			609	69	2.30	38	360	37.00	19	4.10	2.6	5070	549	69			2.55																																																																																																																																																																																																																																																																																																																																																																																																																								
1.14	12514	1223	128	2.90	9.3	1466	150.78	26	1.95	0.60	21535			2332	114	0.85	11	1232	126.75	27	2.30	GR87 GRF87	4P			0.67	19245	2084	114	0.95	12	1132	116.48	27	2.50					0.75	17324	1876	114	1.05	14	1005	103.44	27	2.80					0.83	15486	1677	114	1.15	15	899	92.48	27	3.20					0.97	13335	1444	114	1.35	7.7	1775	182.56	11	0.95	1.1	11913			1290	114	1.50	9.0	1517	156.01	16	1.00	GR87 GRF87	4P	1.2	10407	1127	114	1.75	9.8	1390	143.03	17	1.05	1.4	9308			1008	114	1.95	11	1220	125.51	18	1.20	3.3	3943	427	70			3.30	12	1156	118.94	18	1.30	GR87 GRF87	4P	3.9	3352	363	70	3.90	13	1012	104.10	19	1.45	0.83	15662			1696	39	0.85	15	912	93.79	19	1.65	0.92	14101	1527	57			0.90	17	800	82.27	19	1.85	1.1	12300	1332	61	1.05	19			708	72.88	19	2.10	1.2	10795	1169	63	1.20	22	622	63.96			19	2.40	1.4	9493	1028	65	1.35	23	589	60.61	19	2.50			1.6	8071	874	67	1.60	26	516	53.05	19	2.90			1.8	7120	771	68	1.85	29	465	47.79	19	3.20			2.0	6307	683	68	2.05	33	407	41.92	19	3.70	2.3	5624			609	69	2.30	38	360	37.00	19	4.10	2.6	5070	549	69			2.55																																																																																																																																																																																																																																																																																																																																																																																																																																						
0.60	21535	2332	114	0.85	11	1232	126.75	27	2.30	GR87 GRF87	4P			0.67	19245	2084	114	0.95	12	1132	116.48					27	2.50	0.75	17324	1876	114	1.05	14	1005	103.44					27	2.80	0.83	15486	1677	114	1.15	15	899	92.48					27	3.20	0.97	13335	1444	114	1.35	7.7	1775	182.56	11	0.95			1.1	11913	1290	114	1.50	9.0	1517	156.01	16	1.00	GR87 GRF87	4P	1.2	10407	1127	114	1.75	9.8	1390	143.03	17	1.05			1.4	9308	1008	114	1.95	11	1220	125.51	18	1.20	3.3	3943			427	70	3.30	12	1156	118.94	18	1.30	GR87 GRF87	4P	3.9	3352	363	70	3.90	13	1012	104.10	19	1.45			0.83	15662	1696	39	0.85	15	912	93.79	19	1.65	0.92	14101			1527	57	0.90	17	800	82.27	19	1.85	1.1	12300	1332	61			1.05	19	708	72.88	19	2.10	1.2	10795	1169	63	1.20	22			622	63.96	19	2.40	1.4	9493	1028	65	1.35	23	589	60.61			19	2.50	1.6	8071	874	67	1.60	26	516	53.05	19	2.90			1.8	7120	771	68	1.85	29	465	47.79	19	3.20			2.0	6307	683	68	2.05	33	407	41.92	19	3.70			2.3	5624	609	69	2.30	38	360	37.00	19	4.10	2.6	5070			549	69	2.55																																																																																																																																																																																																																																																																																																																																																																																																																																																		
0.67	19245	2084	114	0.95	12	1132	116.48	27	2.50					0.75	17324	1876	114	1.05	14	1005	103.44					27	2.80	0.83	15486	1677	114	1.15	15	899	92.48					27	3.20	0.97	13335	1444	114	1.35	7.7	1775	182.56	11	0.95			1.1	11913	1290	114	1.50	9.0	1517	156.01	16	1.00	GR87 GRF87	4P	1.2	10407	1127	114	1.75	9.8	1390	143.03	17	1.05	1.4	9308			1008	114	1.95	11	1220	125.51	18	1.20	3.3	3943			427	70	3.30	12	1156	118.94	18	1.30	GR87 GRF87	4P	3.9	3352	363	70	3.90	13	1012	104.10	19	1.45	0.83	15662			1696	39	0.85	15	912	93.79	19	1.65	0.92	14101			1527	57	0.90	17	800	82.27	19	1.85	1.1	12300	1332	61			1.05	19	708	72.88	19	2.10	1.2	10795	1169	63	1.20	22			622	63.96	19	2.40	1.4	9493	1028	65	1.35	23	589	60.61			19	2.50	1.6	8071	874	67	1.60	26	516	53.05	19	2.90			1.8	7120	771	68	1.85	29	465	47.79	19	3.20	2.0	6307			683	68	2.05	33	407	41.92	19	3.70	2.3	5624			609	69	2.30	38	360	37.00	19	4.10	2.6	5070			549	69	2.55																																																																																																																																																																																																																																																																																																																																																																																																																																																																
0.75	17324	1876	114	1.05	14	1005	103.44	27	2.80					0.83	15486	1677	114	1.15	15	899	92.48					27	3.20	0.97	13335	1444	114	1.35	7.7	1775	182.56	11	0.95			1.1	11913	1290	114	1.50	9.0	1517	156.01	16	1.00	GR87 GRF87	4P	1.2	10407	1127	114	1.75	9.8	1390	143.03	17	1.05	1.4	9308			1008	114	1.95	11	1220	125.51	18	1.20	3.3	3943	427	70			3.30	12	1156	118.94	18	1.30	GR87 GRF87	4P	3.9	3352	363	70	3.90	13	1012	104.10	19	1.45	0.83	15662			1696	39	0.85	15	912	93.79	19	1.65	0.92	14101	1527	57			0.90	17	800	82.27	19	1.85	1.1	12300	1332	61			1.05	19	708	72.88	19	2.10	1.2	10795	1169	63	1.20	22			622	63.96	19	2.40	1.4	9493	1028	65	1.35	23	589	60.61			19	2.50	1.6	8071	874	67	1.60	26	516	53.05	19	2.90			1.8	7120	771	68	1.85	29	465	47.79	19	3.20	2.0	6307			683	68	2.05	33	407	41.92	19	3.70	2.3	5624	609	69			2.30	38	360	37.00	19	4.10	2.6	5070	549	69			2.55																																																																																																																																																																																																																																																																																																																																																																																																																																																																														
0.83	15486	1677	114	1.15	15	899	92.48	27	3.20					0.97	13335	1444	114	1.35	7.7	1775	182.56			11	0.95	1.1	11913	1290	114	1.50	9.0	1517	156.01	16	1.00	GR87 GRF87	4P	1.2	10407	1127	114	1.75	9.8	1390	143.03	17	1.05	1.4	9308			1008	114	1.95	11	1220	125.51	18	1.20	3.3	3943	427	70			3.30	12	1156	118.94	18	1.30	GR87 GRF87	4P	3.9	3352	363	70	3.90	13	1012	104.10	19	1.45	0.83	15662			1696	39	0.85	15	912	93.79	19	1.65	0.92	14101	1527	57			0.90	17	800	82.27	19	1.85	1.1	12300	1332	61	1.05	19			708	72.88	19	2.10	1.2	10795	1169	63	1.20	22			622	63.96	19	2.40	1.4	9493	1028	65	1.35	23	589	60.61			19	2.50	1.6	8071	874	67	1.60	26	516	53.05	19	2.90			1.8	7120	771	68	1.85	29	465	47.79	19	3.20	2.0	6307			683	68	2.05	33	407	41.92	19	3.70	2.3	5624	609	69			2.30	38	360	37.00	19	4.10	2.6	5070	549	69	2.55																																																																																																																																																																																																																																																																																																																																																																																																																																																																																														
0.97	13335	1444	114	1.35	7.7	1775	182.56	11	0.95			1.1	11913	1290	114	1.50	9.0	1517	156.01	16	1.00	GR87 GRF87	4P	1.2	10407	1127	114	1.75	9.8	1390	143.03	17	1.05	1.4	9308			1008	114	1.95	11	1220	125.51	18	1.20	3.3	3943	427	70			3.30	12	1156	118.94	18	1.30	GR87 GRF87	4P	3.9	3352	363	70	3.90	13	1012	104.10	19	1.45	0.83	15662			1696	39	0.85	15	912	93.79	19	1.65	0.92	14101	1527	57			0.90	17	800	82.27	19	1.85	1.1	12300	1332	61	1.05	19			708	72.88	19	2.10	1.2	10795	1169	63	1.20	22	622	63.96			19	2.40	1.4	9493	1028	65	1.35	23	589	60.61			19	2.50	1.6	8071	874	67	1.60	26	516	53.05	19	2.90			1.8	7120	771	68	1.85	29	465	47.79	19	3.20	2.0	6307			683	68	2.05	33	407	41.92	19	3.70	2.3	5624	609	69			2.30	38	360	37.00	19	4.10	2.6	5070	549	69	2.55																																																																																																																																																																																																																																																																																																																																																																																																																																																																																																												
1.1	11913	1290	114	1.50	9.0	1517	156.01	16	1.00	GR87 GRF87	4P	1.2	10407	1127	114	1.75	9.8	1390	143.03	17	1.05			1.4	9308	1008	114	1.95	11	1220	125.51	18	1.20	3.3	3943			427	70	3.30	12	1156	118.94	18	1.30	GR87 GRF87	4P	3.9	3352	363	70	3.90	13	1012	104.10	19	1.45			0.83	15662	1696	39	0.85	15	912	93.79	19	1.65	0.92	14101			1527	57	0.90	17	800	82.27	19	1.85	1.1	12300	1332	61			1.05	19	708	72.88	19	2.10	1.2	10795	1169	63	1.20	22			622	63.96	19	2.40	1.4	9493	1028	65	1.35	23	589	60.61			19	2.50	1.6	8071	874	67	1.60	26	516	53.05			19	2.90	1.8	7120	771	68	1.85	29	465	47.79	19	3.20			2.0	6307	683	68	2.05	33	407	41.92	19	3.70	2.3	5624			609	69	2.30	38	360	37.00	19	4.10	2.6	5070	549	69			2.55																																																																																																																																																																																																																																																																																																																																																																																																																																																																																																																						
1.2	10407	1127	114	1.75	9.8	1390	143.03	17	1.05			1.4	9308	1008	114	1.95	11	1220	125.51	18	1.20			3.3	3943	427	70	3.30	12	1156	118.94	18	1.30	GR87 GRF87	4P	3.9	3352	363	70	3.90	13	1012	104.10	19	1.45			0.83	15662	1696	39	0.85	15	912	93.79	19	1.65			0.92	14101	1527	57	0.90	17	800	82.27	19	1.85	1.1	12300			1332	61	1.05	19	708	72.88	19	2.10	1.2	10795	1169	63			1.20	22	622	63.96	19	2.40	1.4	9493	1028	65	1.35	23			589	60.61	19	2.50	1.6	8071	874	67	1.60	26	516	53.05			19	2.90	1.8	7120	771	68	1.85	29	465	47.79			19	3.20	2.0	6307	683	68	2.05	33	407	41.92	19	3.70			2.3	5624	609	69	2.30	38	360	37.00	19	4.10	2.6	5070			549	69	2.55																																																																																																																																																																																																																																																																																																																																																																																																																																																																																																																																		
1.4	9308	1008	114	1.95	11	1220	125.51	18	1.20			3.3	3943	427	70	3.30	12	1156	118.94	18	1.30	GR87 GRF87	4P	3.9	3352	363	70	3.90	13	1012	104.10	19	1.45			0.83	15662	1696	39	0.85	15	912	93.79	19	1.65			0.92	14101	1527	57	0.90	17	800	82.27	19	1.85			1.1	12300	1332	61	1.05	19	708	72.88	19	2.10	1.2	10795			1169	63	1.20	22	622	63.96	19	2.40	1.4	9493	1028	65			1.35	23	589	60.61	19	2.50	1.6	8071	874	67	1.60	26			516	53.05	19	2.90	1.8	7120	771	68	1.85	29	465	47.79			19	3.20	2.0	6307	683	68	2.05	33	407	41.92			19	3.70	2.3	5624	609	69	2.30	38	360	37.00	19	4.10			2.6	5070	549	69	2.55																																																																																																																																																																																																																																																																																																																																																																																																																																																																																																																																														
3.3	3943	427	70	3.30	12	1156	118.94	18	1.30	GR87 GRF87	4P	3.9	3352	363	70	3.90	13	1012	104.10	19	1.45			0.83	15662	1696	39	0.85	15	912	93.79	19	1.65			0.92	14101	1527	57	0.90	17	800	82.27	19	1.85			1.1	12300	1332	61	1.05	19	708	72.88	19	2.10			1.2	10795	1169	63	1.20	22	622	63.96	19	2.40	1.4	9493			1028	65	1.35	23	589	60.61	19	2.50	1.6	8071	874	67			1.60	26	516	53.05	19	2.90	1.8	7120	771	68	1.85	29			465	47.79	19	3.20	2.0	6307	683	68	2.05	33	407	41.92			19	3.70	2.3	5624	609	69	2.30	38	360	37.00			19	4.10	2.6	5070	549	69	2.55																																																																																																																																																																																																																																																																																																																																																																																																																																																																																																																																																										
3.9	3352	363	70	3.90	13	1012	104.10	19	1.45			0.83	15662	1696	39	0.85	15	912	93.79	19	1.65			0.92	14101	1527	57	0.90	17	800	82.27	19	1.85			1.1	12300	1332	61	1.05	19	708	72.88	19	2.10			1.2	10795	1169	63	1.20	22	622	63.96	19	2.40			1.4	9493	1028	65	1.35	23	589	60.61	19	2.50	1.6	8071			874	67	1.60	26	516	53.05	19	2.90	1.8	7120	771	68			1.85	29	465	47.79	19	3.20	2.0	6307	683	68	2.05	33			407	41.92	19	3.70	2.3	5624	609	69	2.30	38	360	37.00			19	4.10	2.6	5070	549	69	2.55																																																																																																																																																																																																																																																																																																																																																																																																																																																																																																																																																																						
0.83	15662	1696	39	0.85	15	912	93.79	19	1.65			0.92	14101	1527	57	0.90	17	800	82.27	19	1.85			1.1	12300	1332	61	1.05	19	708	72.88	19	2.10			1.2	10795	1169	63	1.20	22	622	63.96	19	2.40			1.4	9493	1028	65	1.35	23	589	60.61	19	2.50			1.6	8071	874	67	1.60	26	516	53.05	19	2.90	1.8	7120			771	68	1.85	29	465	47.79	19	3.20	2.0	6307	683	68			2.05	33	407	41.92	19	3.70	2.3	5624	609	69	2.30	38			360	37.00	19	4.10	2.6	5070	549	69	2.55																																																																																																																																																																																																																																																																																																																																																																																																																																																																																																																																																																																		
0.92	14101	1527	57	0.90	17	800	82.27	19	1.85			1.1	12300	1332	61	1.05	19	708	72.88	19	2.10			1.2	10795	1169	63	1.20	22	622	63.96	19	2.40			1.4	9493	1028	65	1.35	23	589	60.61	19	2.50			1.6	8071	874	67	1.60	26	516	53.05	19	2.90			1.8	7120	771	68	1.85	29	465	47.79	19	3.20	2.0	6307			683	68	2.05	33	407	41.92	19	3.70	2.3	5624	609	69			2.30	38	360	37.00	19	4.10	2.6	5070	549	69	2.55																																																																																																																																																																																																																																																																																																																																																																																																																																																																																																																																																																																														
1.1	12300	1332	61	1.05	19	708	72.88	19	2.10			1.2	10795	1169	63	1.20	22	622	63.96	19	2.40			1.4	9493	1028	65	1.35	23	589	60.61	19	2.50			1.6	8071	874	67	1.60	26	516	53.05	19	2.90			1.8	7120	771	68	1.85	29	465	47.79	19	3.20			2.0	6307	683	68	2.05	33	407	41.92	19	3.70	2.3	5624			609	69	2.30	38	360	37.00	19	4.10	2.6	5070	549	69	2.55																																																																																																																																																																																																																																																																																																																																																																																																																																																																																																																																																																																																										
1.2	10795	1169	63	1.20	22	622	63.96	19	2.40			1.4	9493	1028	65	1.35	23	589	60.61	19	2.50			1.6	8071	874	67	1.60	26	516	53.05	19	2.90			1.8	7120	771	68	1.85	29	465	47.79	19	3.20			2.0	6307	683	68	2.05	33	407	41.92	19	3.70			2.3	5624	609	69	2.30	38	360	37.00	19	4.10	2.6	5070	549	69	2.55																																																																																																																																																																																																																																																																																																																																																																																																																																																																																																																																																																																																																						
1.4	9493	1028	65	1.35	23	589	60.61	19	2.50			1.6	8071	874	67	1.60	26	516	53.05	19	2.90			1.8	7120	771	68	1.85	29	465	47.79	19	3.20			2.0	6307	683	68	2.05	33	407	41.92	19	3.70			2.3	5624	609	69	2.30	38	360	37.00	19	4.10	2.6	5070	549	69	2.55																																																																																																																																																																																																																																																																																																																																																																																																																																																																																																																																																																																																																																		
1.6	8071	874	67	1.60	26	516	53.05	19	2.90			1.8	7120	771	68	1.85	29	465	47.79	19	3.20			2.0	6307	683	68	2.05	33	407	41.92	19	3.70			2.3	5624	609	69	2.30	38	360	37.00	19	4.10	2.6	5070	549	69	2.55																																																																																																																																																																																																																																																																																																																																																																																																																																																																																																																																																																																																																																														
1.8	7120	771	68	1.85	29	465	47.79	19	3.20			2.0	6307	683	68	2.05	33	407	41.92	19	3.70			2.3	5624	609	69	2.30	38	360	37.00	19	4.10	2.6	5070	549	69	2.55																																																																																																																																																																																																																																																																																																																																																																																																																																																																																																																																																																																																																																																										
2.0	6307	683	68	2.05	33	407	41.92	19	3.70			2.3	5624	609	69	2.30	38	360	37.00	19	4.10	2.6	5070	549	69	2.55																																																																																																																																																																																																																																																																																																																																																																																																																																																																																																																																																																																																																																																																						
2.3	5624	609	69	2.30	38	360	37.00	19	4.10	2.6	5070	549	69	2.55																																																																																																																																																																																																																																																																																																																																																																																																																																																																																																																																																																																																																																																																																		
2.6	5070	549	69	2.55																																																																																																																																																																																																																																																																																																																																																																																																																																																																																																																																																																																																																																																																																												

选型参数表
(恒功率)

Selection Table
(Constant Power)

n_a [r/min]	M_a [Nm]	i	F_{ra} [kN]	f_B	机型号 Type size	极数 Pole	n_a [r/min]	M_a [Nm]	i	F_{ra} [kN]	f_B	机型号 Type size	极数 Pole
1.5kW							1.5kW						
15	904	92.97	8.1	0.85			73	182	19.31	2.5	1.00		
17	795	81.80	9.3	1.00			78	170	18.05	2.7	1.10		
18	751	77.24	10	1.05			90	147	15.60	3.0	1.25		
21	639	65.77	11	1.25			106	125	13.25	3.2	1.40		
24	561	57.68	11	1.40			118	111	11.83	3.1	1.50		
27	506	52.07	11	1.55	GR77	4P	138	95	10.11	3.0	1.65		
31	445	45.81	12	1.75	GRF77		148	89	9.47	3.0	1.75	GR37	4P
32	421	43.26	12	1.85			176	75	7.97	2.8	1.95	GRF37	
38	358	36.83	12	2.20			210	63	6.67	2.7	2.10		
42	325	33.47	12	2.40			247	53	5.67	2.6	2.50		
48	282	29.00	12	2.80			277	48	5.06	2.5	2.60		
55	245	25.23	11	3.00			324	41	4.32	2.4	2.90		
60	227	23.37	11	3.50	GR77	4P	346	38	4.05	2.3	3.00		
65	208	21.43	11	3.80	GRF77		411	32	3.41	2.2	3.20		
74	183	18.80	10	4.10			214	61	13.25	2.7	2.70		
23	595	61.26	6.9	0.95			240	55	11.83	2.7	2.90	GR37	2P
25	553	56.89	7.4	1.05			281	47	10.11	2.5	3.20	GRF37	
27	501	51.56	8.0	1.15	GR67	4P	300	44	9.47	2.5	3.30		
30	450	46.29	8.4	1.30	GRF67		356	37	7.97	2.4	3.70		
35	388	39.88	8.8	1.45			90	147	15.63	1.6	0.80		
37	365	37.50	9.0	1.50			105	125	13.28	1.9	0.95		
43	314	32.27	9.3	1.65			118	112	11.86	2.0	1.05		
49	280	28.83	9.4	1.80			138	95	10.13	1.9	1.20		
50	273	28.13	9.5	1.90			172	77	8.16	1.8	1.40		
52	260	26.72	9.4	2.00	GR67	4P	183	72	7.63	1.8	1.45	GR27	4P
60	228	23.44	9.0	2.30	GRF67		212	62	6.59	1.7	1.60	GRF27	
70	193	19.89	8.6	3.00			250	53	5.60	1.7	1.75		
78	174	17.95	8.4	3.20			280	47	5.00	1.6	1.85		
26	517	53.22	4.9	0.85			328	40	4.27	1.6	2.00		
29	469	48.23	5.7	0.90			350	38	4.00	1.5	2.10		
32	421	43.30	5.6	1.00	GR57	4P	415	32	3.37	1.5	2.30		
38	363	37.30	5.5	1.20	GRF57		239	55	11.86	1.7	2.00		
40	341	35.07	5.4	1.25			280	47	10.13	1.7	2.30		
46	293	30.18	5.3	1.45			348	38	8.16	1.6	2.70		
52	262	26.97	5.1	1.65			372	35	7.63	1.5	2.80		
53	256	26.31	5.1	1.70			431	31	6.59	1.5	3.00	GR27	2P
56	243	24.99	5.1	1.75			507	26	5.60	1.4	3.30	GRF27	
64	213	21.93	4.9	2.00			568	23	5.00	1.4	3.60		
75	181	18.60	4.7	2.40	GR57	4P	665	20	4.27	1.3	3.80		
83	163	16.79	4.6	2.60	GRF57		710	19	4.00	1.3	4.00		
95	144	14.77	4.5	2.90			843	16	3.37	1.2	4.40		
100	136	13.95	4.4	3.00			249	56	5.63	5.3	1.90		
118	115	11.88	4.2	3.40			262	53	5.35	5.2	1.90		
38	359	36.93	2.3	0.80			296	47	4.73	5.0	2.60		
40	338	34.73	3.6	0.85			347	40	4.04	4.8	3.50	GRX77	4P
47	290	29.88	4.0	1.00			378	37	3.70	4.7	4.10	GRXF77	
52	260	26.70	3.9	1.10			431	32	3.25	4.5	5.50		
59	229	23.59	3.8	1.25			455	31	3.08	4.4	6.20		
60	226	23.28	3.8	1.25			519	27	2.70	4.2	7.80		
64	212	21.81	3.8	1.35			576	24	2.43	4.1	8.70		
73	187	19.27	3.7	1.50			309	45	4.53	3.4	1.80		
78	174	17.89	3.6	1.60			326	43	4.30	3.3	1.85		
86	158	16.22	3.6	1.65			371	38	3.77	3.2	2.30		
96	142	14.56	3.5	1.80			438	32	3.20	3.1	3.10		
112	122	12.54	3.3	1.95	GR47	4P	484	29	2.89	3.0	3.60	GRX67	4P
119	115	11.79	3.3	2.00	GRF47		551	25	2.54	2.9	4.60	GRXF67	
138	99	10.15	3.2	2.20			583	24	2.40	2.8	5.00		
154	88	9.07	3.1	2.40			686	20	2.04	2.7	6.40		
175	78	8.01	3.0	2.50			753	19	1.86	2.6	6.70		
180	75	7.76	2.9	2.10			870	16	1.61	2.5	7.00		
201	68	6.96	2.8	2.20			1000	14	1.40	2.4	7.30		
233	58	6.00	2.7	2.60			369	38	3.79	2.6	1.80		
248	55	5.64	2.7	2.70			394	35	3.55	2.5	1.90	GRX57	4P
289	47	4.85	2.6	3.00			446	31	3.14	2.4	2.00	GRXF57	
323	42	4.34	2.5	3.30			481	29	2.91	2.4	2.30		
366	37	3.83	2.4	3.70			530	26	2.64	2.3	2.60		

选型参数表
(恒功率)

Selection Table
(Constant Power)

n_a [r/min]	Ma [Nm]	i	F_{ra} [kN]	f_B	机型号 Type size	极数 Pole	n_a [r/min]	Ma [Nm]	i	F_{ra} [kN]	f_B	机型号 Type size	极数 Pole																																																																																																																																																																																																																																																																																																																																																																																																																																																																																																																																																							
1.5kW							2.2kW																																																																																																																																																																																																																																																																																																																																																																																																																																																																																																																																																													
591	24	2.37	2.2	2.90	GRX57 GRXF57	4P	3.9	4893	369	11	0.85	GR107R77 GRF107R77	4P																																																																																																																																																																																																																																																																																																																																																																																																																																																																																																																																																							
686	20	2.04	2.1	3.30			729	19	1.92	2.1	3.50			848	16	1.65	2.0	4.10	946	15	1.48	1.9	4.50	1077	13	1.30	1.9	4.70	2.2kW							2.2kW							0.45	47045	3202	128	0.80	GR177R107 GRF177R107	4P	4.4	4283	323	28	1.00	GR107R77 GRF107R77	4P	0.50	41770	2843	128	0.90	0.57	36907	2512	128	1.00	0.65	32470	2210	128	1.10	0.73	28826	1962	128	1.25	0.80	26123	1778	128	1.40	0.89	23655	1610	128	1.55	1.00	20981	1428	128	1.75	1.11	18968	1291	128	1.90	1.25	16837	1146	128	2.15	1.41	14913	1015	128	2.45	1.56	13429	914	128	2.70	0.45	46824	3187	128	0.80	GR177R97 GRF177R97	4P	6.1	3103	234	11	0.95	GR97R57 GRF97R57	4P	0.52	40712	2771	128	0.90	0.56	37480	2551	128	1.00	0.63	33528	2282	128	1.10	0.70	30149	2052	128	1.20	0.78	26975	1836	128	1.35	1.00	20966	1427	128	1.75	1.2	17969	1223	128	2.05	1.2	16867	1148	128	2.15	1.5	14457	984	128	2.50	0.85	22237	1677	114	0.80	GR167R97 GRF167R97	4P	6.8	2771	209	21	1.05	GR107 GRF107	6P	0.99	19147	1444	114	0.95	1.1	17105	1290	114	1.05	1.3	14944	1127	114	1.20	1.4	13366	1008	114	1.35	1.6	11616	876	114	1.55	1.9	10237	772	114	1.75	2.2	8725	658	114	2.05	2.7	7067	533	68	1.85	GR107 GRF107	4P	3.1	6153	464	68	2.10	3.3	5662	427	69	2.30	3.9	4813	363	69	2.70	4.5	4243	320	70	3.05	1.2	15501	1169	37	0.85	GR97 GRF97	4P	1.4	13631	1028	58	0.95	1.6	11589	874	61	1.10	1.9	10223	771	64	1.25	2.1	9056	683	65	1.45	2.3	8075	609	66	1.60	2.6	7280	549	67	1.75	3.0	6378	481	68	2.00	2.0	9375	707	42	0.85	GR147R87 GRF147R87	4P	2.3	8155	615	50	0.95	1.9	9733	734	34	0.80	GR137R77 GRF137R77	4P	2.3	8380	632	49	0.95	2.5	7465	563	51	1.05	2.9	6537	493	53	1.20	3.3	5702	430	55	1.40	3.7	5092	384	55	1.55	4.4	4309	325	56	1.85	4.9	3885	293	57	2.05	5.6	3395	256	57	2.35	6.4	2944	222	57	2.70	11	1752	125.51	10	0.85	GR87 GRF87	4P	12	1660	118.94	14	0.90	14	1453	104.10	16	1.00	15	1309	93.79	17	1.10	17	1148	82.27	18	1.25	20	1017	72.88	19	1.45	22	893	63.96	19	1.65	24	846	60.61	19	1.70	27	740	53.05	19	1.95	30	667	47.79	19	2.20	34	585	41.92	19	2.50	39	516	37.00	18	2.80	44	458	32.80	18	3.20	41	482	34.55	18	2.90	GR87 GRF87	4P	45	440	31.53	17	3.30	51	390	27.96	17	3.70	61	328	23.51	16	4.40	66	301	21.60	16	4.70																																																																																																						
729	19	1.92	2.1	3.50			848	16	1.65	2.0	4.10			946	15	1.48	1.9	4.50	1077	13	1.30	1.9	4.70	2.2kW							2.2kW							0.45	47045	3202	128	0.80	GR177R107 GRF177R107	4P	4.4	4283	323			28	1.00	GR107R77 GRF107R77	4P	0.50			41770	2843	128	0.90	0.57	36907	2512	128	1.00	0.65	32470	2210	128	1.10	0.73	28826	1962	128	1.25	0.80	26123	1778	128	1.40	0.89	23655	1610	128	1.55	1.00	20981	1428	128	1.75	1.11	18968	1291	128	1.90	1.25	16837	1146	128	2.15	1.41	14913	1015	128	2.45	1.56	13429	914	128	2.70	0.45	46824	3187	128	0.80	GR177R97 GRF177R97			4P	6.1	3103	234	11			0.95	GR97R57 GRF97R57	4P	0.52	40712	2771	128	0.90	0.56	37480	2551	128	1.00	0.63	33528	2282	128	1.10	0.70	30149	2052	128	1.20	0.78	26975	1836	128	1.35	1.00	20966	1427	128	1.75	1.2	17969	1223	128	2.05	1.2	16867	1148	128	2.15	1.5	14457	984	128	2.50	0.85	22237			1677	114	0.80	GR167R97 GRF167R97	4P			6.8	2771	209	21	1.05	GR107 GRF107	6P	0.99	19147	1444	114	0.95	1.1	17105	1290	114	1.05	1.3	14944	1127	114	1.20	1.4	13366	1008	114	1.35	1.6	11616	876	114	1.55	1.9	10237	772	114	1.75	2.2	8725	658			114	2.05	2.7	7067	533	68	1.85	GR107 GRF107	4P	3.1	6153	464	68	2.10	3.3	5662	427	69	2.30	3.9	4813	363	69	2.70	4.5			4243	320	70	3.05	1.2	15501	1169	37	0.85	GR97 GRF97	4P	1.4	13631	1028	58	0.95	1.6	11589	874	61	1.10	1.9	10223	771	64	1.25	2.1	9056	683	65	1.45	2.3	8075	609	66	1.60	2.6	7280	549	67			1.75	3.0	6378	481	68	2.00	2.0	9375	707	42			0.85	GR147R87 GRF147R87	4P	2.3	8155	615	50	0.95	1.9	9733	734	34	0.80	GR137R77 GRF137R77	4P	2.3	8380	632	49	0.95	2.5	7465	563	51	1.05	2.9	6537	493	53	1.20	3.3	5702	430	55	1.40	3.7	5092	384	55	1.55	4.4	4309	325	56	1.85	4.9	3885	293	57	2.05			5.6	3395	256	57	2.35	6.4	2944	222	57	2.70	11	1752	125.51	10	0.85	GR87 GRF87	4P	12	1660	118.94	14	0.90	14	1453	104.10	16	1.00	15	1309	93.79	17	1.10	17	1148	82.27	18	1.25	20	1017	72.88	19	1.45	22	893	63.96	19	1.65	24	846	60.61	19	1.70	27	740	53.05	19	1.95	30	667	47.79	19	2.20	34	585	41.92			19	2.50	39	516	37.00	18	2.80	44	458	32.80	18	3.20	41	482	34.55	18	2.90	GR87 GRF87	4P	45	440	31.53	17	3.30	51	390	27.96	17	3.70	61	328	23.51	16	4.40	66	301	21.60	16	4.70																																																																																			
848	16	1.65	2.0	4.10			946	15	1.48	1.9	4.50			1077	13	1.30	1.9	4.70	2.2kW							2.2kW							0.45	47045	3202	128	0.80	GR177R107 GRF177R107	4P	4.4	4283	323			28	1.00	GR107R77 GRF107R77			4P	0.50			41770			2843	128	0.90	0.57	36907	2512	128	1.00	0.65	32470	2210	128	1.10	0.73	28826	1962	128	1.25	0.80	26123	1778	128	1.40	0.89	23655	1610	128	1.55	1.00	20981	1428	128	1.75	1.11	18968	1291	128	1.90	1.25	16837	1146	128	2.15	1.41	14913	1015	128	2.45	1.56	13429	914	128	2.70	0.45	46824	3187	128	0.80	GR177R97 GRF177R97					4P	6.1	3103	234			11			0.95	GR97R57 GRF97R57	4P	0.52	40712	2771	128	0.90	0.56	37480	2551	128	1.00	0.63	33528	2282	128	1.10	0.70	30149	2052	128	1.20	0.78	26975	1836	128	1.35	1.00	20966	1427	128	1.75	1.2	17969	1223	128	2.05	1.2	16867	1148	128	2.15	1.5	14457	984	128			2.50	0.85	22237					1677	114	0.80	GR167R97 GRF167R97	4P			6.8	2771	209	21	1.05	GR107 GRF107	6P	0.99	19147	1444	114	0.95	1.1	17105	1290	114	1.05	1.3	14944	1127	114	1.20	1.4	13366	1008	114	1.35	1.6	11616	876	114	1.55	1.9			10237	772	114	1.75	2.2	8725	658			114	2.05	2.7	7067	533	68	1.85	GR107 GRF107	4P	3.1	6153	464	68	2.10	3.3	5662			427	69	2.30	3.9	4813	363	69	2.70	4.5			4243	320	70	3.05	1.2	15501	1169	37	0.85	GR97 GRF97	4P	1.4	13631	1028	58	0.95	1.6	11589	874	61	1.10	1.9	10223	771	64	1.25	2.1	9056	683			65	1.45	2.3	8075	609	66	1.60	2.6	7280	549			67			1.75	3.0	6378	481	68	2.00	2.0	9375	707	42			0.85	GR147R87 GRF147R87	4P	2.3	8155	615	50	0.95	1.9	9733	734	34	0.80	GR137R77 GRF137R77	4P	2.3	8380	632	49	0.95	2.5	7465	563	51	1.05	2.9	6537	493	53	1.20	3.3	5702	430	55	1.40			3.7	5092	384	55	1.55	4.4	4309	325	56	1.85	4.9	3885	293	57	2.05			5.6	3395	256	57	2.35	6.4	2944	222	57	2.70	11	1752	125.51	10	0.85	GR87 GRF87	4P	12	1660	118.94	14	0.90	14	1453	104.10	16	1.00	15	1309	93.79	17	1.10	17	1148	82.27	18	1.25	20	1017	72.88	19	1.45	22	893	63.96	19	1.65	24			846	60.61	19	1.70	27	740	53.05	19	1.95	30	667	47.79	19	2.20	34	585	41.92			19	2.50	39	516	37.00	18	2.80	44	458	32.80	18	3.20	41	482	34.55	18	2.90	GR87 GRF87	4P	45	440	31.53	17	3.30	51	390	27.96	17	3.70	61	328	23.51	16	4.40	66	301	21.60	16	4.70																																																																
946	15	1.48	1.9	4.50			1077	13	1.30	1.9	4.70			2.2kW							2.2kW							0.45	47045	3202	128	0.80	GR177R107 GRF177R107	4P	4.4	4283	323			28	1.00	GR107R77 GRF107R77			4P	0.50					41770			2843			128	0.90	0.57	36907	2512	128	1.00	0.65	32470	2210	128	1.10	0.73	28826	1962	128	1.25	0.80	26123	1778	128	1.40	0.89	23655	1610	128	1.55	1.00	20981	1428	128	1.75	1.11	18968	1291	128	1.90	1.25	16837	1146	128	2.15	1.41	14913	1015	128	2.45	1.56	13429	914	128	2.70	0.45	46824	3187	128	0.80	GR177R97 GRF177R97							4P	6.1	3103			234			11			0.95	GR97R57 GRF97R57	4P	0.52	40712	2771	128	0.90	0.56	37480	2551	128	1.00	0.63	33528	2282	128	1.10	0.70	30149	2052	128	1.20	0.78	26975	1836	128	1.35	1.00	20966	1427	128	1.75	1.2	17969	1223	128	2.05	1.2	16867	1148	128	2.15	1.5			14457	984	128					2.50	0.85	22237					1677	114	0.80	GR167R97 GRF167R97	4P			6.8	2771	209	21	1.05	GR107 GRF107	6P	0.99	19147	1444	114	0.95	1.1	17105	1290	114	1.05	1.3	14944	1127	114	1.20	1.4	13366	1008	114			1.35	1.6	11616	876	114	1.55	1.9			10237	772	114	1.75	2.2	8725	658			114	2.05	2.7	7067	533	68	1.85			GR107 GRF107	4P	3.1	6153	464	68	2.10	3.3	5662			427	69	2.30	3.9	4813	363	69	2.70	4.5			4243	320	70	3.05	1.2	15501	1169	37	0.85	GR97 GRF97	4P	1.4	13631	1028	58	0.95	1.6	11589			874	61	1.10	1.9	10223	771	64	1.25	2.1	9056			683			65	1.45	2.3	8075	609	66	1.60	2.6	7280	549			67			1.75	3.0	6378	481	68	2.00	2.0	9375	707	42			0.85	GR147R87 GRF147R87	4P	2.3	8155	615	50	0.95	1.9	9733	734	34	0.80	GR137R77 GRF137R77	4P	2.3	8380	632	49	0.95			2.5	7465	563	51	1.05	2.9	6537	493	53	1.20	3.3	5702	430	55	1.40			3.7	5092	384	55	1.55	4.4	4309	325	56	1.85	4.9	3885	293	57	2.05			5.6	3395	256	57	2.35	6.4	2944	222	57	2.70	11	1752	125.51	10	0.85	GR87 GRF87	4P	12	1660	118.94	14	0.90	14	1453	104.10	16	1.00	15	1309	93.79	17			1.10	17	1148	82.27	18	1.25	20	1017	72.88	19	1.45	22	893	63.96	19	1.65	24			846	60.61	19	1.70	27	740	53.05	19	1.95	30	667	47.79	19	2.20	34	585	41.92			19	2.50	39	516	37.00	18	2.80	44	458	32.80	18	3.20	41	482	34.55	18	2.90	GR87 GRF87	4P	45	440	31.53	17	3.30	51	390	27.96	17	3.70	61	328	23.51	16	4.40	66	301	21.60	16	4.70																																													
1077	13	1.30	1.9	4.70			2.2kW							2.2kW							0.45	47045	3202	128	0.80	GR177R107 GRF177R107	4P	4.4	4283	323	28	1.00			GR107R77 GRF107R77	4P	0.50			41770	2843					128					0.90			0.57			36907	2512	128	1.00	0.65	32470	2210	128	1.10	0.73	28826	1962	128	1.25	0.80	26123	1778	128	1.40	0.89	23655	1610	128	1.55	1.00	20981	1428	128	1.75	1.11	18968	1291	128	1.90	1.25	16837	1146	128	2.15	1.41	14913	1015	128	2.45	1.56	13429	914	128	2.70	0.45	46824	3187	128	0.80	GR177R97 GRF177R97	4P	6.1									3103	234			11			0.95			GR97R57 GRF97R57			4P	0.52	40712	2771	128	0.90	0.56	37480	2551	128	1.00	0.63	33528	2282	128	1.10	0.70	30149	2052	128	1.20	0.78	26975	1836	128	1.35	1.00	20966	1427	128	1.75	1.2	17969	1223	128	2.05	1.2	16867	1148	128	2.15			1.5	14457	984					128	2.50	0.85					22237	1677	114					0.80	GR167R97 GRF167R97	4P	6.8	2771			209	21	1.05	GR107 GRF107	6P	0.99	19147	1444	114	0.95	1.1	17105	1290	114	1.05	1.3	14944	1127	114			1.20	1.4	13366	1008	114	1.35	1.6			11616	876	114	1.55	1.9	10237	772			114	1.75	2.2	8725	658	114	2.05					2.7	7067	533	68	1.85	GR107 GRF107	4P			3.1	6153	464	68	2.10	3.3	5662	427	69			2.30	3.9	4813	363	69	2.70	4.5	4243	320			70	3.05	1.2	15501	1169	37	0.85			GR97 GRF97	4P	1.4	13631	1028	58	0.95	1.6	11589	874			61			1.10	1.9	10223	771	64	1.25	2.1	9056	683	65			1.45			2.3	8075	609	66	1.60	2.6	7280	549	67	1.75			3.0			6378	481	68	2.00	2.0	9375	707	42	0.85	GR147R87 GRF147R87			4P	2.3	8155	615	50			0.95	1.9	9733	734	34	0.80	GR137R77 GRF137R77	4P	2.3	8380	632	49	0.95	2.5	7465			563	51	1.05	2.9	6537	493	53	1.20	3.3	5702	430	55	1.40	3.7	5092			384	55	1.55	4.4	4309	325	56	1.85	4.9	3885	293	57	2.05	5.6	3395			256	57	2.35	6.4	2944	222	57	2.70	11	1752	125.51	10	0.85	GR87 GRF87			4P	12	1660	118.94	14	0.90	14	1453	104.10	16	1.00	15	1309	93.79	17	1.10	17			1148	82.27	18	1.25	20	1017	72.88	19	1.45	22	893	63.96	19	1.65	24	846	60.61			19	1.70	27	740	53.05	19	1.95	30	667	47.79	19	2.20	34	585	41.92	19	2.50			39	516	37.00	18	2.80	44	458	32.80	18	3.20	41	482	34.55	18	2.90	GR87 GRF87	4P	45	440	31.53	17	3.30	51	390	27.96	17	3.70	61	328	23.51	16	4.40	66	301	21.60	16	4.70																												
2.2kW							2.2kW																																																																																																																																																																																																																																																																																																																																																																																																																																																																																																																																																													
0.45	47045	3202	128	0.80	GR177R107 GRF177R107	4P	4.4	4283	323	28	1.00	GR107R77 GRF107R77	4P																																																																																																																																																																																																																																																																																																																																																																																																																																																																																																																																																							
0.50	41770	2843	128	0.90			0.57	36907	2512	128	1.00			0.65	32470	2210	128	1.10	0.73	28826	1962	128	1.25	0.80	26123			1778	128	1.40	0.89	23655					1610			128	1.55					1.00					20981			1428			128	1.75	1.11	18968	1291	128	1.90	1.25	16837	1146	128	2.15	1.41	14913	1015	128	2.45	1.56	13429	914	128	2.70	0.45	46824	3187	128	0.80	GR177R97 GRF177R97	4P	6.1	3103	234	11	0.95	GR97R57 GRF97R57	4P	0.52	40712	2771	128	0.90	0.56	37480	2551	128	1.00	0.63	33528	2282	128	1.10	0.70	30149	2052			128									1.20	0.78			26975			1836							128	1.35	1.00	20966	1427	128	1.75	1.2	17969	1223	128	2.05	1.2	16867	1148	128	2.15	1.5	14457	984	128	2.50	0.85	22237	1677	114	0.80	GR167R97 GRF167R97	4P	6.8	2771	209	21	1.05	GR107 GRF107	6P	0.99	19147	1444	114			0.95	1.1	17105					1290	114	1.05					1.3	14944	1127					114			1.20	1.4			13366	1008	114			1.35	1.6	11616	876	114	1.55	1.9	10237	772	114	1.75	2.2	8725	658			114	2.05	2.7	7067	533	68	1.85			GR107 GRF107	4P	3.1	6153	464	68	2.10			3.3	5662	427	69	2.30	3.9	4813					363	69	2.70	4.5	4243					320	70	3.05	1.2	15501	1169	37	0.85	GR97 GRF97			4P	1.4	13631	1028	58	0.95	1.6	11589	874			61	1.10	1.9	10223	771	64	1.25					2.1	9056	683	65	1.45	2.3	8075	609			66			1.60	2.6	7280	549	67	1.75	3.0	6378	481	68			2.00			2.0	9375	707	42	0.85	GR147R87 GRF147R87	4P	2.3	8155	615			50			0.95	1.9	9733	734	34	0.80	GR137R77 GRF137R77	4P	2.3					8380	632	49	0.95			2.5	7465	563	51	1.05	2.9			6537	493	53	1.20	3.3	5702	430			55	1.40	3.7	5092	384	55	1.55	4.4	4309	325	56	1.85	4.9	3885	293			57	2.05	5.6	3395	256	57	2.35	6.4	2944	222	57	2.70	11	1752	125.51			10	0.85	GR87 GRF87	4P	12	1660	118.94	14	0.90	14	1453	104.10	16		1.00	15		1309	93.79	17	1.10	17	1148	82.27	18	1.25	20	1017	72.88	19	1.45	22	893	63.96	19	1.65	24	846	60.61	19	1.70	27	740	53.05	19	1.95	30	667	47.79	19	2.20	34			585	41.92	19	2.50	39	516	37.00	18	2.80	44	458	32.80	18	3.20	41	482	34.55			18	2.90	GR87 GRF87	4P	45	440	31.53	17	3.30	51	390	27.96	17	3.70	61			328	23.51	16	4.40	66	301	21.60	16	4.70																																							
0.57	36907	2512	128	1.00			0.65	32470	2210	128	1.10			0.73	28826	1962	128	1.25	0.80	26123	1778	128	1.40	0.89	23655			1610	128	1.55	1.00	20981					1428			128	1.75					1.11					18968			1291			128	1.90	1.25	16837	1146	128	2.15	1.41	14913	1015	128	2.45	1.56	13429	914	128	2.70	0.45	46824	3187	128	0.80	GR177R97 GRF177R97	4P	6.1	3103	234			11	0.95	GR97R57 GRF97R57	4P	0.52			40712	2771	128	0.90	0.56	37480	2551	128	1.00	0.63	33528	2282	128	1.10	0.70	30149	2052	128			1.20									0.78	26975			1836			128							1.35	1.00	20966	1427	128	1.75	1.2	17969	1223	128	2.05	1.2	16867	1148	128	2.15	1.5	14457	984	128	2.50	0.85	22237	1677	114	0.80	GR167R97 GRF167R97			4P	6.8	2771	209	21			1.05	GR107 GRF107	6P	0.99			19147	1444	114					0.95	1.1	17105					1290	114	1.05					1.3			14944	1127			114	1.20	1.4			13366	1008	114	1.35	1.6	11616	876	114	1.55	1.9	10237	772	114	1.75			2.2	8725	658	114	2.05	2.7	7067					533	68	1.85	GR107 GRF107	4P			3.1	6153	464	68	2.10	3.3	5662					427	69	2.30	3.9	4813					363	69	2.70	4.5	4243	320	70	3.05					1.2	15501	1169	37	0.85	GR97 GRF97	4P	1.4			13631	1028	58	0.95	1.6	11589	874					61	1.10	1.9	10223	771	64	1.25	2.1			9056			683	65	1.45	2.3	8075	609	66	1.60	2.6	7280			549			67	1.75	3.0	6378	481			68	2.00	2.0			9375			707	42	0.85	GR147R87 GRF147R87	4P	2.3			8155					615	50	0.95	1.9			9733	734	34	0.80	GR137R77 GRF137R77	4P			2.3	8380	632	49	0.95	2.5	7465			563	51	1.05	2.9	6537	493	53	1.20	3.3	5702	430	55	1.40	3.7	5092			384	55	1.55	4.4	4309	325	56	1.85	4.9	3885	293	57	2.05	5.6	3395			256	57			2.35	6.4	2944	222	57	2.70	11	1752	125.51		10	0.85		GR87 GRF87	4P	12	1660	118.94	14	0.90	14	1453	104.10	16	1.00	15	1309	93.79	17	1.10	17	1148	82.27	18	1.25	20	1017	72.88	19	1.45	22	893	63.96	19	1.65	24	846	60.61	19	1.70	27	740	53.05	19	1.95	30	667	47.79	19	2.20	34	585	41.92	19	2.50	39	516			37.00	18			2.80	44	458	32.80	18	3.20	41	482	34.55	18	2.90			GR87 GRF87	4P	45	440	31.53	17	3.30	51	390	27.96	17	3.70	61	328	23.51	16	4.40	66	301	21.60	16	4.70																										
0.65	32470	2210	128	1.10			0.73	28826	1962	128	1.25			0.80	26123	1778	128	1.40	0.89	23655	1610	128	1.55	1.00	20981			1428	128	1.75	1.11	18968					1291			128	1.90					1.25					16837			1146			128	2.15	1.41	14913	1015	128	2.45	1.56	13429	914	128	2.70	0.45	46824	3187	128	0.80	GR177R97 GRF177R97	4P	6.1	3103	234			11	0.95	GR97R57 GRF97R57			4P	0.52			40712			2771	128	0.90	0.56	37480	2551	128	1.00	0.63	33528	2282	128	1.10	0.70	30149	2052	128	1.20			0.78									26975	1836			128			1.35							1.00	20966	1427	128	1.75	1.2	17969	1223	128	2.05	1.2	16867	1148	128	2.15	1.5	14457	984	128	2.50	0.85	22237	1677	114	0.80	GR167R97 GRF167R97					4P	6.8	2771	209			21			1.05			GR107 GRF107	6P	0.99					19147	1444	114					0.95	1.1	17105					1290			114	1.05			1.3	14944	1127			114	1.20	1.4	13366	1008	114	1.35	1.6	11616	876	114	1.55	1.9	10237			772	114	1.75	2.2	8725	658	114					2.05	2.7	7067					533	68	1.85	GR107 GRF107	4P	3.1	6153					464	68	2.10	3.3	5662					427	69	2.30	3.9	4813	363	69	2.70					4.5	4243	320	70	3.05			1.2			15501	1169	37	0.85	GR97 GRF97	4P	1.4					13631	1028	58	0.95	1.6	11589	874	61			1.10			1.9	10223	771	64	1.25	2.1	9056	683	65	1.45			2.3			8075	609	66	1.60	2.6			7280	549	67			1.75			3.0	6378	481			68			2.00					2.0	9375	707	42			0.85	GR147R87 GRF147R87	4P	2.3					8155	615	50	0.95	1.9	9733	734			34	0.80	GR137R77 GRF137R77	4P	2.3	8380	632	49	0.95	2.5	7465	563	51	1.05	2.9			6537	493	53	1.20	3.3	5702	430	55	1.40	3.7	5092	384	55	1.55	4.4			4309	325			56	1.85	4.9	3885	293	57	2.05	5.6	3395		256	57				2.35	6.4	2944	222	57	2.70	11	1752	125.51	10	0.85	GR87 GRF87	4P	12	1660	118.94	14	0.90	14	1453	104.10	16	1.00	15	1309	93.79	17	1.10	17	1148	82.27	18	1.25	20	1017	72.88	19	1.45	22	893	63.96	19	1.65	24	846	60.61	19	1.70	27	740	53.05	19	1.95	30	667	47.79			19	2.20	34	585	41.92	19	2.50	39	516	37.00	18					2.80	44	458	32.80	18	3.20	41	482	34.55	18	2.90	GR87 GRF87	4P	45	440	31.53	17	3.30	51	390	27.96	17	3.70	61	328	23.51	16	4.40	66	301	21.60	16	4.70													
0.73	28826	1962	128	1.25			0.80	26123	1778	128	1.40			0.89	23655	1610	128	1.55	1.00	20981	1428	128	1.75	1.11	18968			1291	128	1.90	1.25	16837					1146			128	2.15					1.41					14913			1015			128	2.45	1.56	13429	914	128	2.70	0.45	46824	3187	128	0.80	GR177R97 GRF177R97	4P	6.1	3103	234			11	0.95	GR97R57 GRF97R57			4P	0.52					40712			2771			128	0.90	0.56	37480	2551	128	1.00	0.63	33528	2282	128	1.10	0.70	30149	2052	128	1.20	0.78			26975									1836	128			1.35			1.00							20966	1427	128	1.75	1.2	17969	1223	128	2.05	1.2	16867	1148	128	2.15	1.5	14457	984	128	2.50	0.85	22237	1677	114	0.80	GR167R97 GRF167R97							4P	6.8	2771			209			21					1.05					GR107 GRF107	6P	0.99					19147	1444	114					0.95			1.1	17105			1290	114	1.05			1.3	14944	1127	114	1.20	1.4	13366	1008	114	1.35	1.6	11616	876	114			1.55	1.9	10237	772	114	1.75	2.2					8725	658	114					2.05	2.7	7067			533	68					1.85	GR107 GRF107	4P	3.1	6153					464	68	2.10	3.3	5662	427	69	2.30					3.9	4813	363	69	2.70			4.5			4243	320	70	3.05			1.2					15501	1169	37	0.85	GR97 GRF97	4P	1.4	13631			1028			58	0.95	1.6	11589	874	61	1.10	1.9	10223	771			64			1.25	2.1	9056	683	65			1.45	2.3	8075			609			66	1.60	2.6			7280			549					67	1.75	3.0	6378			481			68					2.00	2.0	9375	707	42	0.85	GR147R87 GRF147R87			4P	2.3			8155	615	50	0.95	1.9	9733	734	34	0.80	GR137R77 GRF137R77	4P			2.3	8380	632	49	0.95	2.5	7465	563	51	1.05	2.9	6537	493	53	1.20			3.3	5702			430	55	1.40	3.7	5092	384	55	1.55	4.4		4309	325				56	1.85	4.9	3885	293	57	2.05	5.6	3395	256	57			2.35	6.4	2944	222	57	2.70	11	1752	125.51	10	0.85	GR87 GRF87	4P	12	1660	118.94	14	0.90	14	1453	104.10	16	1.00	15	1309	93.79	17	1.10	17	1148	82.27	18	1.25	20	1017	72.88	19	1.45	22	893	63.96	19	1.65			24	846	60.61	19	1.70	27	740	53.05	19	1.95	30	667	47.79			19	2.20	34	585	41.92	19	2.50	39	516	37.00	18			2.80	44	458	32.80	18	3.20	41	482	34.55	18	2.90	GR87 GRF87	4P	45	440	31.53	17	3.30	51	390	27.96	17	3.70	61	328	23.51	16	4.40	66	301	21.60	16	4.70
0.80	26123	1778	128	1.40			0.89	23655	1610	128	1.55			1.00	20981	1428	128	1.75	1.11	18968	1291	128	1.90	1.25	16837			1146	128	2.15	1.41	14913					1015			128	2.45					1.56					13429			914			128	2.70	0.45	46824	3187	128	0.80	GR177R97 GRF177R97	4P	6.1	3103	234			11	0.95	GR97R57 GRF97R57			4P	0.52					40712					2771			128			0.90	0.56	37480	2551	128	1.00	0.63	33528	2282	128	1.10	0.70	30149	2052	128	1.20	0.78	26975			1836									128	1.35			1.00			20966							1427	128	1.75	1.2	17969	1223	128	2.05	1.2	16867	1148	128	2.15	1.5	14457	984	128	2.50	0.85	22237	1677	114	0.80	GR167R97 GRF167R97									4P	6.8			2771			209					21							1.05					GR107 GRF107	6P	0.99					19147			1444	114			0.95	1.1	17105			1290	114	1.05	1.3	14944	1127	114	1.20	1.4	13366	1008	114	1.35	1.6			11616	876	114	1.55	1.9	10237	772					114	1.75	2.2					8725	658	114			2.05	2.7					7067			533	68					1.85	GR107 GRF107	4P	3.1	6153	464	68	2.10					3.3	5662	427	69	2.30			3.9			4813	363	69	2.70			4.5					4243	320	70	3.05			1.2	15501			1169			37	0.85	GR97 GRF97	4P	1.4	13631	1028	58	0.95	1.6			11589			874	61	1.10	1.9	10223			771	64	1.25			2.1			9056	683	65			1.45			2.3					8075	609	66	1.60			2.6			7280					549	67	1.75	3.0	6378	481					68			2.00	2.0	9375	707	42	0.85	GR147R87 GRF147R87	4P	2.3					8155	615	50	0.95	1.9	9733	734	34	0.80	GR137R77 GRF137R77	4P	2.3	8380	632	49			0.95	2.5			7465	563	51	1.05	2.9	6537	493	53	1.20		3.3	5702				430	55	1.40	3.7	5092	384	55	1.55	4.4	4309	325			56	1.85	4.9	3885	293	57	2.05	5.6	3395	256	57			2.35	6.4	2944	222	57	2.70	11	1752	125.51	10	0.85	GR87 GRF87	4P	12	1660	118.94	14	0.90	14	1453	104.10	16	1.00	15	1309	93.79	17	1.10	17	1148			82.27	18	1.25	20	1017	72.88	19	1.45	22	893	63.96	19	1.65			24	846	60.61	19	1.70	27	740	53.05	19	1.95	30			667	47.79	19	2.20	34	585	41.92	19	2.50	39	516			37.00	18	2.80	44	458	32.80	18	3.20	41	482	34.55	18	2.90	GR87 GRF87	4P	45	440	31.53	17	3.30
0.89	23655	1610	128	1.55			1.00	20981	1428	128	1.75			1.11	18968	1291	128	1.90	1.25	16837	1146	128	2.15	1.41	14913			1015	128	2.45	1.56	13429					914			128	2.70					0.45		46824	3187		128			0.80	GR177R97 GRF177R97	4P	6.1	3103	234	11	0.95	GR97R57 GRF97R57	4P			0.52	40712	2771			128	0.90					0.56					37480					2551			128			1.00	0.63	33528	2282	128	1.10	0.70	30149	2052	128	1.20	0.78	26975	1836	128	1.35	1.00	20966			1427				128	1.75				1.2	17969	1223	128	2.05			1.2							16867	1148	128	2.15	1.5	14457	984	128	2.50	0.85	22237	1677	114	0.80	GR167R97 GRF167R97	4P	6.8	2771	209	21	1.05	GR107 GRF107	6P											0.99			19147			1444	114	0.95			1.1			17105	1290			114							1.05					1.3			14944	1127			114	1.20	1.4			13366	1008	114	1.35	1.6	11616	876	114	1.55	1.9	10237	772	114	1.75	2.2	8725	658	114	2.05	2.7	7067	533	68					1.85	GR107 GRF107	4P					3.1	6153	464			68	2.10	3.3	5662			427			69	2.30					3.9			4813	363	69	2.70	4.5					4243	320	70	3.05	1.2			15501			1169	37	0.85	GR97 GRF97			4P	1.4	13631			1028	58	0.95	1.6			11589	874	61	1.10	1.9			10223	771			64	1.25	2.1	9056	683	65			1.45			2.3	8075	609	66	1.60			2.6	7280	549			67			1.75	3.0	6378			481			68					2.00	2.0	9375	707	42	0.85	GR147R87 GRF147R87			4P					2.3	8155	615	50	0.95	1.9					9733			734	34	0.80	GR137R77 GRF137R77	4P	2.3			8380					632	49	0.95	2.5	7465	563	51	1.05	2.9			6537	493	53	1.20			3.3	5702			430	55	1.40	3.7	5092	384	55	1.55	4.4		4309	325				56	1.85	4.9	3885	293	57	2.05	5.6	3395	256	57			2.35	6.4	2944	222	57	2.70	11	1752	125.51	10	0.85			GR87 GRF87	4P	12	1660	118.94	14	0.90	14	1453	104.10	16			1.00	15	1309	93.79	17	1.10	17	1148	82.27	18	1.25	20	1017	72.88	19	1.45	22			893	63.96	19	1.65	24	846	60.61	19	1.70	27	740	53.05	19			1.95	30	667	47.79	19	2.20	34	585	41.92	19	2.50			39	516	37.00	18	2.80	44	458	32.80	18	3.20	41			482	34.55	18	2.90	GR87 GRF87	4P	45	440	31.53	17	3.30	51	390			27.96	17	3.70	61	328
1.00	20981	1428	128	1.75			1.11	18968	1291	128	1.90			1.25	16837	1146	128	2.15	1.41	14913	1015	128	2.45	1.56	13429			914	128	2.70	0.45	46824					3187			128	0.80		GR177R97 GRF177R97	4P		6.1		3103	234		11	0.95	GR97R57 GRF97R57	4P			0.52	40712	2771	128	0.90					0.56	37480	2551			128	1.00					0.63					33528					2282			128			1.10	0.70	30149	2052	128	1.20	0.78	26975	1836	128	1.35	1.00	20966	1427	128	1.75	1.2	17969			1223			128	2.05	1.2	16867			1148	128	2.15	1.5	14457	984	128	2.50							0.85	22237	1677	114	0.80	GR167R97 GRF167R97	4P	6.8	2771	209	21	1.05	GR107 GRF107	6P			0.99	19147	1444	114	0.95													1.1			17105			1290	114	1.05			1.3	14944	1127	114	1.20			1.4			13366	1008			114					1.35			1.6	11616			876	114	1.55			1.9	10237	772	114	1.75	2.2	8725	658	114	2.05	2.7	7067	533	68	1.85	GR107 GRF107	4P	3.1	6153	464	68	2.10	3.3	5662	427			69							2.30	3.9	4813			363	69	2.70	4.5			4243			320	70			3.05	1.2	15501			1169	37	0.85	GR97 GRF97	4P					1.4	13631	1028	58	0.95			1.6			11589	874	61					1.10	1.9			10223	771	64	1.25			2.1	9056	683	65	1.45	2.3	8075	609	66			1.60	2.6	7280	549	67	1.75	3.0	6378	481			68	2.00	2.0	9375	707			42	0.85	GR147R87 GRF147R87			4P			2.3	8155	615			50			0.95					1.9	9733	734	34	0.80	GR137R77 GRF137R77									4P	2.3	8380	632	49	0.95		2.5	7465		563			51	1.05	2.9			6537			493					53	1.20	3.3	5702	430	55	1.40	3.7	5092			384	55	1.55	4.4			4309	325			56	1.85	4.9	3885	293	57	2.05	5.6	3395		256	57				2.35	6.4	2944	222	57	2.70	11	1752	125.51	10	0.85			GR87 GRF87	4P	12	1660	118.94	14	0.90	14	1453	104.10	16					1.00	15	1309	93.79	17	1.10	17	1148	82.27			18	1.25	20	1017	72.88	19	1.45	22	893	63.96	19	1.65	24	846	60.61	19	1.70	27	740	53.05	19	1.95	30	667	47.79	19	2.20	34	585	41.92	19	2.50			39	516	37.00	18	2.80	44	458	32.80	18	3.20	41			482	34.55	18	2.90	GR87 GRF87	4P	45	440	31.53	17	3.30			51	390	27.96	17			3.70	61	328	23.51	16	4.40	66			301	21.60	16	4.70	
1.11	18968	1291	128	1.90			1.25	16837	1146	128	2.15			1.41	14913	1015	128	2.45	1.56	13429	914	128	2.70	0.45	46824			3187	128	0.80	GR177R97 GRF177R97	4P					6.1	3103	234	11	0.95					GR97R57 GRF97R57	4P	0.52	40712	2771	128	0.90					0.56	37480	2551	128	1.00					0.63	33528	2282			128	1.10					0.70					30149					2052			128			1.20	0.78	26975	1836	128	1.35	1.00	20966	1427	128	1.75	1.2	17969	1223	128	2.05	1.2	16867			1148		128	2.15	1.5	14457	984	128		2.50	0.85	22237	1677	114	0.80	GR167R97 GRF167R97	4P	6.8	2771					209	21	1.05	GR107 GRF107	6P			0.99	19147	1444	114	0.95					1.1	17105	1290	114	1.05													1.3			14944			1127	114	1.20			1.4	13366	1008	114	1.35			1.6	11616	876	114	1.55			1.9			10237	772	114			1.75	2.2			8725	658	114			2.05	2.7	7067	533	68	1.85	GR107 GRF107	4P	3.1	6153	464	68	2.10	3.3	5662			427	69	2.30	3.9	4813	363	69	2.70			4.5					4243	320	70	3.05	1.2			15501	1169	37	0.85			GR97 GRF97			4P	1.4			13631	1028	58			0.95	1.6	11589				874	61		1.10	1.9	10223	771	64			1.25			2.1	9056	683					65	1.45			2.3	8075	609	66			1.60	2.6	7280	549	67	1.75	3.0	6378	481			68	2.00	2.0	9375	707	42	0.85	GR147R87 GRF147R87	4P	2.3	8155	615	50	0.95	1.9	9733			734	34		0.80	GR137R77 GRF137R77				4P	2.3	8380			632			49					0.95	2.5	7465	563	51											1.05	2.9	6537	493	53		1.20	3.3		5702			430	55	1.40			3.7			5092			384	55	1.55	4.4	4309	325	56	1.85	4.9	3885	293			57	2.05	5.6	3395			256	57			2.35	6.4	2944	222	57	2.70	11	1752	125.51		10	0.85				GR87 GRF87	4P	12	1660	118.94	14	0.90	14	1453	104.10	16					1.00	15	1309	93.79	17	1.10	17	1148	82.27					18	1.25	20	1017	72.88	19	1.45	22	893			63.96	19	1.65	24	846	60.61	19	1.70	27	740	53.05	19	1.95	30	667	47.79	19	2.20	34	585	41.92	19	2.50	39	516	37.00	18	2.80	44	458	32.80	18	3.20	41	482	34.55	18	2.90	GR87 GRF87	4P	45	440	31.53	17	3.30			51	390	27.96	17			3.70	61	328	23.51	16			4.40	66	301	21.60			16	4.70												
1.25	16837	1146	128	2.15			1.41	14913	1015	128	2.45			1.56	13429	914	128	2.70	0.45	46824	3187	128	0.80	GR177R97 GRF177R97	4P			6.1	3103	234			11	0.95			GR97R57 GRF97R57	4P	0.52	40712	2771	128			0.90			0.56	37480	2551	128	1.00					0.63	33528	2282	128	1.10					0.70	30149	2052			128	1.20					0.78					26975					1836			128			1.35	1.00	20966	1427	128	1.75	1.2	17969	1223	128	2.05	1.2	16867	1148	128	2.15	1.5	14457			984	128	2.50	0.85	22237	1677	114	0.80	GR167R97 GRF167R97	4P	6.8	2771	209	21	1.05			GR107 GRF107	6P		0.99	19147		1444	114	0.95					1.1	17105	1290	114	1.05					1.3	14944	1127	114	1.20													1.4			13366			1008	114	1.35			1.6	11616	876	114	1.55			1.9	10237	772	114	1.75			2.2	8725	658	114	2.05	2.7			7067	533	68	1.85	GR107 GRF107	4P	3.1			6153	464	68	2.10	3.3	5662			427	69	2.30	3.9	4813	363	69			2.70	4.5	4243	320	70	3.05	1.2	15501			1169					37	0.85	GR97 GRF97	4P	1.4			13631	1028	58	0.95	1.6	11589					874			61	1.10	1.9			10223	771	64				1.25	2.1		9056	683	65	1.45	2.3			8075	609	66	1.60	2.6	7280					549	67			1.75	3.0	6378	481			68	2.00	2.0	9375	707	42	0.85	GR147R87 GRF147R87	4P			2.3	8155	615	50	0.95	1.9	9733			734	34	0.80	GR137R77 GRF137R77	4P	2.3	8380			632	49		0.95			2.5	7465		563	51			1.05			2.9		6537	493		53	1.20	3.3	5702	430											55	1.40	3.7	5092	384		55	1.55		4.4			4309	325	56			1.85			4.9			3885	293	57	2.05	5.6	3395	256	57	2.35	6.4	2944			222	57	2.70	11	1752	125.51	10	0.85			GR87 GRF87	4P	12	1660	118.94	14	0.90	14	1453		104.10	16						1.00	15	1309	93.79	17	1.10	17	1148	82.27					18	1.25	20	1017	72.88	19	1.45	22	893					63.96	19	1.65	24	846	60.61	19	1.70	27			740	53.05	19	1.95	30	667	47.79	19	2.20	34	585	41.92	19	2.50	39	516	37.00	18	2.80	44	458	32.80	18	3.20	41	482	34.55	18	2.90	GR87 GRF87	4P	45	440	31.53	17	3.30	51	390			27.96	17	3.70	61	328	23.51	16	4.40	66	301	21.60			16	4.70																									
1.41	14913	1015	128	2.45			1.56	13429	914	128	2.70			0.45	46824	3187	128	0.80	GR177R97 GRF177R97	4P	6.1	3103	234			11	0.95	GR97R57 GRF97R57	4P	0.52			40712	2771	128	0.90			0.56	37480	2551	128			1.00			0.63	33528	2282	128	1.10					0.70	30149	2052	128	1.20					0.78	26975	1836			128	1.35					1.00					20966					1427			128			1.75	1.2	17969	1223	128	2.05	1.2	16867	1148	128	2.15	1.5	14457	984	128	2.50	0.85	22237	1677	114	0.80	GR167R97 GRF167R97	4P	6.8	2771	209	21	1.05			GR107 GRF107	6P	0.99	19147	1444					114	0.95	1.1	17105	1290	114	1.05					1.3	14944	1127	114	1.20					1.4	13366	1008	114	1.35													1.6			11616			876	114	1.55			1.9	10237	772	114	1.75			2.2	8725	658	114	2.05			2.7	7067	533	68	1.85	GR107 GRF107	4P	3.1	6153	464	68	2.10			3.3	5662	427	69	2.30	3.9	4813	363	69			2.70	4.5	4243	320	70	3.05	1.2			15501	1169	37	0.85	GR97 GRF97	4P	1.4	13631			1028					58	0.95			1.6			11589	874	61	1.10	1.9	10223					771	64	1.25	2.1	9056	683			65	1.45	2.3				8075	609		66	1.60	2.6	7280	549			67	1.75	3.0	6378	481	68					2.00	2.0	9375	707	42	0.85	GR147R87 GRF147R87	4P			2.3	8155	615	50	0.95	1.9	9733					734	34	0.80	GR137R77 GRF137R77	4P	2.3	8380			632	49	0.95			2.5	7465			563	51		1.05			2.9	6537		493	53			1.20			3.3	5702	430	55	1.40	3.7	5092	384	55	1.55								4.4	4309		325	56	1.85	4.9	3885		293	57		2.05			5.6	3395	256			57			2.35			6.4	2944	222	57	2.70	11	1752	125.51	10	0.85	GR87 GRF87			4P	12	1660	118.94	14	0.90	14	1453					104.10	16	1.00	15	1309	93.79	17	1.10	17	1148	82.27					18	1.25	20	1017	72.88	19	1.45	22	893					63.96	19	1.65	24	846	60.61	19	1.70	27					740	53.05	19	1.95	30	667	47.79	19	2.20			34	585	41.92	19	2.50	39	516	37.00	18	2.80	44	458	32.80	18	3.20	41	482	34.55	18	2.90	GR87 GRF87	4P	45	440	31.53	17	3.30	51	390			27.96	17	3.70	61	328	23.51	16			4.40	66	301	21.60	16	4.70																																		
1.56	13429	914	128	2.70			0.45	46824	3187	128	0.80			GR177R97 GRF177R97	4P	6.1	3103	234			11	0.95	GR97R57 GRF97R57			4P	0.52			40712			2771	128	0.90	0.56			37480	2551	128	1.00			0.63			33528	2282	128	1.10	0.70					30149	2052	128	1.20	0.78					26975	1836	128			1.35	1.00					20966					1427					128			1.75			1.2	17969	1223	128	2.05	1.2	16867	1148	128	2.15	1.5	14457	984	128	2.50	0.85	22237	1677	114	0.80	GR167R97 GRF167R97			4P	6.8	2771	209	21					1.05	GR107 GRF107	6P					0.99	19147	1444	114	0.95	1.1	17105					1290	114	1.05	1.3	14944					1127	114	1.20	1.4	13366													1008			114			1.35	1.6	11616			876	114	1.55	1.9	10237			772	114	1.75	2.2	8725			658	114	2.05	2.7	7067			533	68	1.85	GR107 GRF107	4P			3.1	6153	464	68	2.10	3.3	5662	427	69			2.30	3.9	4813	363	69	2.70	4.5			4243	320	70	3.05			1.2	15501			1169					37	0.85			GR97 GRF97			4P	1.4	13631	1028	58	0.95					1.6	11589	874	61	1.10	1.9			10223	771	64				1.25	2.1		9056	683	65	1.45	2.3			8075	609	66	1.60	2.6	7280					549	67	1.75	3.0	6378	481					68	2.00	2.0	9375	707	42	0.85					GR147R87 GRF147R87	4P	2.3			8155	615			50	0.95	1.9			9733	734			34	0.80		GR137R77 GRF137R77			4P	2.3		8380	632			49			0.95	2.5	7465	563	51	1.05	2.9	6537	493	53								1.20	3.3		5702	430	55	1.40	3.7		5092	384		55			1.55	4.4	4309			325			56			1.85	4.9	3885	293	57	2.05	5.6	3395	256	57					2.35	6.4	2944	222	57	2.70	11					1752	125.51	10	0.85	GR87 GRF87	4P	12	1660	118.94	14	0.90					14	1453	104.10	16	1.00	15	1309	93.79	17					1.10	17	1148	82.27	18	1.25	20	1017	72.88					19	1.45	22	893	63.96	19	1.65	24	846			60.61	19	1.70	27	740	53.05	19	1.95	30	667	47.79	19	2.20	34	585	41.92	19	2.50	39	516			37.00	18	2.80	44	458	32.80	18			3.20	41	482	34.55	18	2.90	GR87 GRF87			4P	45	440	31.53	17	3.30	51	390	27.96	17	3.70			61	328	23.51	16	4.40	66	301	21.60	16	4.70																	
0.45	46824	3187	128	0.80	GR177R97 GRF177R97	4P	6.1	3103	234	11	0.95	GR97R57 GRF97R57	4P																																																																																																																																																																																																																																																																																																																																																																																																																																																																																																																																																							
0.52	40712	2771	128	0.90			0.56	37480	2551	128	1.00					0.63	33528	2282			128	1.10					0.70			30149			2052	128	1.20	0.78			26975	1836	128	1.35			1.00			20966	1427	128	1.75	1.2					17969	1223	128	2.05	1.2					16867	1148	128			2.15	1.5					14457					984		128	2.50		0.85			22237	1677	114	0.80	GR167R97 GRF167R97	4P	6.8	2771	209	21	1.05	GR107 GRF107	6P	0.99	19147	1444	114	0.95	1.1	17105	1290	114	1.05					1.3	14944	1127	114					1.20							1.4	13366	1008	114	1.35	1.6	11616					876	114	1.55	1.9	10237					772	114	1.75	2.2	8725							658	114					2.05	2.7	7067	533			68	1.85	GR107 GRF107			4P	3.1	6153	464	68			2.10	3.3	5662	427	69			2.30	3.9	4813	363	69			2.70	4.5	4243					320	70	3.05	1.2	15501	1169	37	0.85	GR97 GRF97			4P	1.4	13631	1028	58	0.95	1.6			11589	874	61	1.10			1.9	10223	771	64	1.25					2.1	9056							683	65	1.45	2.3	8075					609	66	1.60	2.6	7280	549			67	1.75	3.0			6378	481	68	2.00	2.0	9375	707	42	0.85			GR147R87 GRF147R87	4P	2.3	8155	615	50					0.95	1.9	9733	734	34	0.80					GR137R77 GRF137R77	4P	2.3	8380	632	49	0.95							2.5			7465	563			51	1.05	2.9			6537	493	53	1.20	3.3	5702						430		55	1.40			3.7	5092	384	55	1.55	4.4	4309	325	56	1.85	4.9	3885	293								57	2.05		5.6	3395	256	57	2.35		6.4	2944		222			57	2.70	11			1752			125.51			10	0.85	GR87 GRF87	4P	12	1660	118.94	14	0.90	14					1453	104.10	16	1.00	15	1309	93.79	17	1.10			17	1148	82.27	18			1.25	20	1017	72.88	19					1.45	22	893	63.96	19	1.65	24	846	60.61					19	1.70	27	740	53.05	19	1.95	30	667					47.79	19	2.20	34	585	41.92	19	2.50	39			516	37.00	18	2.80	44	458	32.80	18	3.20	41	482	34.55	18	2.90	GR87 GRF87	4P	45	440	31.53	17			3.30	51	390	27.96	17	3.70	61			328	23.51	16	4.40	66	301					21.60	16	4.70																																				
0.56	37480	2551	128	1.00			0.63	33528	2282	128	1.10					0.70	30149	2052			128	1.20					0.78			26975			1836	128	1.35	1.00			20966	1427	128	1.75			1.2			17969	1223	128	2.05	1.2					16867	1148	128	2.15	1.5					14457	984	128			2.50	0.85					22237		1677	114		0.80		GR167R97 GRF167R97	4P		6.8	2771	209	21	1.05	GR107 GRF107	6P			0.99	19147	1444	114	0.95			1.1	17105	1290	114	1.05	1.3	14944	1127	114	1.20					1.4	13366	1008	114					1.35							1.6	11616	876	114	1.55	1.9	10237					772	114	1.75	2.2	8725					658	114	2.05	2.7	7067						533	68	1.85	GR107 GRF107				4P	3.1	6153	464	68	2.10	3.3	5662					427	69	2.30	3.9			4813	363	69	2.70	4.5			4243	320	70	3.05	1.2			15501	1169	37					0.85	GR97 GRF97	4P	1.4	13631	1028	58	0.95					1.6	11589	874	61	1.10	1.9			10223	771	64	1.25			2.1	9056	683	65	1.45			2.3	8075	609	66							1.60	2.6	7280	549	67					1.75	3.0	6378	481	68	2.00			2.0	9375	707			42	0.85	GR147R87 GRF147R87	4P	2.3	8155	615	50	0.95	1.9	9733			734	34	0.80	GR137R77 GRF137R77					4P	2.3	8380	632	49	0.95							2.5	7465	563	51	1.05							2.9			6537	493			53	1.20	3.3			5702	430	55	1.40	3.7	5092						384		55	1.55	4.4	4309	325	56	1.85	4.9	3885	293	57	2.05	5.6	3395	256	57	2.35						6.4	2944	222	57		2.70	11	1752	125.51	10		0.85	GR87 GRF87		4P			12	1660	118.94			14			0.90			14	1453			104.10	16	1.00	15	1309	93.79					17	1.10	17	1148	82.27	18	1.25	20	1017			72.88	19	1.45	22			893	63.96	19	1.65	24	846	60.61			19	1.70	27	740	53.05	19	1.95	30	667					47.79	19	2.20	34	585	41.92	19	2.50	39					516	37.00	18	2.80	44	458	32.80	18	3.20			41	482	34.55	18	2.90	GR87 GRF87	4P	45	440	31.53	17	3.30	51	390			27.96	17	3.70	61			328	23.51	16	4.40	66	301	21.60			16	4.70																																															
0.63	33528	2282	128	1.10			0.70	30149	2052	128	1.20					0.78	26975	1836			128	1.35					1.00			20966			1427	128	1.75	1.2			17969	1223	128	2.05			1.2			16867	1148	128	2.15	1.5					14457	984	128	2.50	0.85					22237	1677	114			0.80	GR167R97 GRF167R97		4P	6.8		2771		209	21		1.05	GR107 GRF107			6P	0.99	19147	1444	114	0.95					1.1	17105	1290	114	1.05			1.3	14944	1127	114	1.20	1.4	13366	1008	114	1.35					1.6	11616	876	114					1.55							1.9	10237	772	114	1.75	2.2	8725					658	114	2.05	2.7	7067					533	68	1.85	GR107 GRF107	4P					3.1	6153	464	68		2.10				3.3	5662	427	69	2.30	3.9	4813		363	69		2.70	4.5	4243	320			70	3.05	1.2	15501	1169			37	0.85	GR97 GRF97	4P	1.4			13631	1028	58					0.95			1.6	11589	874	61	1.10					1.9	10223	771	64	1.25	2.1			9056	683	65	1.45			2.3	8075	609	66	1.60			2.6	7280	549	67				1.75	3.0		6378	481	68	2.00	2.0					9375	707	42	0.85	GR147R87 GRF147R87	4P			2.3	8155	615			50	0.95			1.9	9733	734	34	0.80	GR137R77 GRF137R77	4P			2.3	8380	632			49	0.95			2.5	7465	563	51	1.05							2.9	6537	493	53	1.20							3.3			5702	430			55	1.40	3.7			5092	384	55	1.55	4.4	4309						325		56	1.85	4.9	3885	293	57	2.05	5.6	3395	256	57	2.35	6.4	2944	222	57	2.70			11	1752		125.51	10	0.85	GR87 GRF87		4P	12	1660	118.94	14		0.90				14	1453	104.10	16	1.00			15			1309			93.79	17			1.10	17	1148	82.27	18	1.25					20	1017	72.88	19	1.45	22	893	63.96	19			1.65	24	846	60.61			19	1.70	27	740	53.05	19	1.95			30	667	47.79	19	2.20	34	585	41.92	19	2.50	39			516	37.00	18	2.80	44	458	32.80	18	3.20					41	482	34.55	18	2.90	GR87 GRF87	4P	45	440			31.53	17	3.30	51	390			27.96	17	3.70	61	328	23.51	16			4.40	66	301	21.60			16	4.70																																																								
0.70	30149	2052	128	1.20			0.78	26975	1836	128	1.35					1.00	20966	1427			128	1.75					1.2			17969			1223	128	2.05	1.2			16867	1148	128	2.15			1.5			14457	984	128	2.50	0.85					22237	1677	114	0.80	GR167R97 GRF167R97					4P	6.8	2771	209	21	1.05				GR107 GRF107		6P	0.99	19147	1444	114	0.95					1.1	17105	1290	114	1.05					1.3	14944	1127	114	1.20			1.4	13366	1008	114	1.35	1.6	11616	876	114	1.55					1.9	10237	772	114					1.75							2.2	8725	658	114	2.05	2.7	7067					533	68	1.85	GR107 GRF107	4P					3.1	6153	464						68	2.10	3.3	5662	427		69	2.30			3.9	4813	363	69	2.70	4.5	4243		320	70		3.05	1.2	15501	1169	37	0.85	GR97 GRF97	4P	1.4	13631	1028			58	0.95			1.6			11589	874	61					1.10			1.9	10223	771	64	1.25					2.1	9056	683	65	1.45	2.3			8075	609	66	1.60			2.6	7280	549	67	1.75			3.0	6378	481	68				2.00	2.0		9375	707	42	0.85	GR147R87 GRF147R87		4P	2.3		8155	615	50	0.95					1.9	9733	734			34	0.80			GR137R77 GRF137R77	4P	2.3	8380	632					49	0.95	2.5			7465	563			51	1.05	2.9	6537	493			53	1.20			3.3	5702	430	55	1.40							3.7			5092	384			55	1.55	4.4			4309	325	56	1.85	4.9	3885						293		57	2.05	5.6	3395	256	57	2.35	6.4	2944	222	57	2.70	11	1752	125.51	10	0.85			GR87 GRF87	4P		12	1660	118.94				14	0.90	14	1453	104.10	16		1.00		15	1309	93.79	17	1.10			17			1148	82.27	18	1.25	20			1017	72.88	19	1.45	22	893					63.96	19	1.65	24	846	60.61	19	1.70	27			740	53.05	19	1.95			30	667	47.79	19	2.20	34	585			41.92	19	2.50	39	516	37.00	18	2.80	44	458	32.80			18	3.20	41	482	34.55	18	2.90	GR87 GRF87	4P	45	440			31.53	17	3.30	51	390			27.96	17			3.70	61	328	23.51	16			4.40	66	301	21.60	16	4.70																																																																			
0.78	26975	1836	128	1.35			1.00	20966	1427	128	1.75					1.2	17969	1223			128	2.05					1.2			16867			1148	128	2.15	1.5			14457	984	128	2.50			0.85			22237	1677	114	0.80	GR167R97 GRF167R97					4P	6.8	2771	209				21	1.05		GR107 GRF107	6P	0.99	19147	1444		114			0.95		1.1	17105	1290	114	1.05					1.3	14944	1127	114	1.20					1.4	13366	1008	114	1.35			1.6	11616	876	114	1.55	1.9	10237	772	114	1.75					2.2	8725	658	114					2.05							2.7	7067	533	68	1.85	GR107 GRF107	4P					3.1	6153	464							68	2.10	3.3					5662	427	69	2.30	3.9	4813		363	69	2.70		4.5	4243	320	70	3.05	1.2	15501		1169	37		0.85	GR97 GRF97	4P	1.4	13631	1028			58	0.95	1.6	11589	874	61	1.10			1.9			10223	771	64					1.25			2.1	9056	683	65	1.45					2.3	8075	609	66	1.60	2.6			7280	549	67	1.75			3.0	6378	481	68	2.00			2.0	9375	707	42				0.85	GR147R87 GRF147R87		4P	2.3	8155	615				50		0.95	1.9	9733	734			34	0.80	GR137R77 GRF137R77	4P	2.3			8380	632					49	0.95	2.5					7465	563	51			1.05	2.9			6537	493	53	1.20	3.3			5702	430			55	1.40	3.7	5092	384			55	1.55			4.4			4309	325			56	1.85	4.9			3885	293	57	2.05	5.6	3395						256		57	2.35	6.4	2944	222	57	2.70	11	1752	125.51	10	0.85	GR87 GRF87	4P	12	1660	118.94						14	0.90	14				1453	104.10	16	1.00	15	1309		93.79		17	1.10	17	1148	82.27			18	1.25	20	1017	72.88	19	1.45	22			893	63.96	19	1.65	24	846		60.61	19		1.70	27	740	53.05	19	1.95	30	667	47.79			19	2.20	34	585			41.92	19	2.50	39	516	37.00	18			2.80	44	458	32.80	18	3.20	41	482	34.55	18	2.90			GR87 GRF87	4P	45	440	31.53	17	3.30			51	390			27.96	17	3.70	61	328			23.51	16	4.40	66	301	21.60	16	4.70																																																																												
1.00	20966	1427	128	1.75			1.2	17969	1223	128	2.05					1.2	16867	1148			128	2.15					1.5			14457			984	128	2.50	0.85			22237	1677	114	0.80			GR167R97 GRF167R97			4P	6.8	2771	209				21	1.05		GR107 GRF107	6P	0.99		19147	1444	114	0.95				1.1	17105	1290		114			1.05		1.3	14944	1127	114	1.20					1.4	13366	1008	114	1.35					1.6	11616	876	114	1.55			1.9	10237	772	114	1.75	2.2	8725	658	114	2.05					2.7	7067	533	68					1.85							GR107 GRF107	4P	3.1	6153	464							68	2.10	3.3					5662	427	69	2.30	3.9			4813	363	69	2.70	4.5	4243	320	70		3.05	1.2	15501		1169	37	0.85	GR97 GRF97	4P	1.4	13631		1028	58		0.95			1.6	11589	874			61	1.10	1.9	10223	771	64	1.25			2.1			9056	683	65					1.45			2.3	8075	609	66	1.60					2.6	7280	549	67	1.75	3.0			6378	481	68	2.00			2.0	9375	707	42	0.85	GR147R87 GRF147R87	4P	2.3	8155	615	50				0.95				1.9	9733	734				34		0.80	GR137R77 GRF137R77	4P	2.3			8380	632			49			0.95	2.5					7465	563	51					1.05	2.9	6537		493	53	1.20	3.3		5702	430	55	1.40	3.7			5092	384			55	1.55	4.4	4309	325			56	1.85			4.9			3885	293			57	2.05	5.6			3395	256	57	2.35	6.4	2944						222		57	2.70	11	1752	125.51	10	0.85	GR87 GRF87	4P	12	1660	118.94			14	0.90	14		1453			104.10	16	1.00	15				1309	93.79	17	1.10	17	1148		82.27		18	1.25	20	1017	72.88	19	1.45	22	893	63.96	19	1.65	24	846	60.61			19	1.70	27	740	53.05	19		1.95	30		667	47.79	19	2.20	34	585	41.92	19	2.50			39	516	37.00	18			2.80	44	458	32.80	18	3.20	41			482	34.55	18	2.90	GR87 GRF87	4P	45	440	31.53	17	3.30					51	390	27.96	17	3.70			61	328	23.51	16	4.40	66	301	21.60	16			4.70																																																																																			
1.2	17969	1223	128	2.05			1.2	16867	1148	128	2.15					1.5	14457	984			128	2.50					0.85			22237			1677	114	0.80	GR167R97 GRF167R97			4P	6.8	2771	209	21	1.05					GR107 GRF107	6P	0.99		19147	1444	114	0.95				1.1		17105	1290	114	1.05				1.3	14944	1127		114			1.20		1.4	13366	1008	114	1.35					1.6	11616	876	114	1.55					1.9	10237	772	114	1.75			2.2	8725	658	114	2.05	2.7	7067	533	68	1.85					GR107 GRF107	4P	3.1	6153					464									68	2.10	3.3					5662	427	69	2.30	3.9			4813	363	69	2.70	4.5	4243	320			70	3.05	1.2	15501	1169	37	0.85	GR97 GRF97		4P	1.4	13631		1028	58	0.95			1.6	11589		874	61		1.10			1.9	10223	771			64	1.25	2.1	9056	683	65	1.45			2.3			8075	609	66					1.60			2.6	7280	549	67	1.75					3.0	6378	481	68	2.00	2.0	9375	707	42	0.85	GR147R87 GRF147R87	4P			2.3	8155	615	50	0.95			1.9	9733	734	34				0.80				GR137R77 GRF137R77	4P	2.3				8380		632			49			0.95	2.5			7465	563	51	1.05	2.9					6537	493	53					1.20	3.3	5702		430	55	1.40	3.7		5092	384	55	1.55	4.4			4309	325			56	1.85	4.9	3885	293			57	2.05			5.6			3395	256			57	2.35	6.4			2944	222	57	2.70	11	1752	125.51			10		0.85		GR87 GRF87	4P	12	1660	118.94	14	0.90			14	1453	104.10			16	1.00	15	1309	93.79			17	1.10	17	1148		82.27		18	1.25	20	1017	72.88	19		1.45		22	893	63.96	19	1.65	24	846	60.61	19	1.70	27	740	53.05	19	1.95			30	667	47.79	19	2.20	34		585	41.92		19	2.50	39	516	37.00	18	2.80	44	458			32.80	18	3.20	41			482	34.55	18	2.90	GR87 GRF87	4P	45			440	31.53	17	3.30			51	390	27.96	17	3.70	61	328			23.51	16	4.40	66	301			21.60	16	4.70																																																																																												
1.2	16867	1148	128	2.15			1.5	14457	984	128	2.50					0.85	22237	1677			114	0.80					GR167R97 GRF167R97			4P	6.8	2771	209	21	1.05					GR107 GRF107	6P	0.99	19147	1444		114	0.95				1.1		17105	1290	114	1.05				1.3		14944	1127	114	1.20				1.4	13366	1008		114			1.35		1.6	11616	876	114	1.55					1.9	10237	772	114	1.75					2.2	8725	658	114	2.05			2.7	7067	533	68	1.85	GR107 GRF107	4P	3.1	6153	464							68	2.10					3.3			5662	427					69	2.30	3.9			4813	363	69	2.70	4.5	4243	320			70	3.05	1.2	15501	1169	37	0.85			GR97 GRF97	4P	1.4	13631	1028	58	0.95				1.6	11589		874	61	1.10			1.9	10223		771	64		1.25			2.1	9056	683			65	1.45	2.3	8075	609	66	1.60			2.6			7280	549	67					1.75			3.0	6378	481	68	2.00		2.0	9375		707	42	0.85	GR147R87 GRF147R87	4P	2.3	8155	615	50	0.95					1.9	9733	734	34	0.80			GR137R77 GRF137R77	4P	2.3	8380				632						49		0.95		2.5	7465	563			51			1.05	2.9			6537	493	53	1.20	3.3					5702	430	55					1.40	3.7	5092		384	55	1.55	4.4		4309	325	56	1.85	4.9			3885	293			57	2.05	5.6	3395	256			57	2.35			6.4			2944	222	57	2.70	11	1752	125.51			10	0.85	GR87 GRF87	4P	12	1660	118.94		14	0.90		14	1453			104.10	16	1.00	15	1309			93.79	17	1.10			17	1148	82.27	18	1.25			20	1017	72.88	19		1.45		22	893	63.96	19	1.65	24		846		60.61	19	1.70	27	740	53.05	19	1.95	30	667	47.79	19	2.20	34	585			41.92	19	2.50	39	516	37.00		18	2.80		44	458	32.80	18	3.20	41	482	34.55	18			2.90	GR87 GRF87	4P	45			440	31.53	17	3.30			51	390	27.96	17	3.70	61	328			23.51	16	4.40	66	301	21.60	16			4.70																																																																																																					
1.5	14457	984	128	2.50			0.85	22237	1677	114	0.80					GR167R97 GRF167R97	4P	6.8			2771	209		21	1.05						GR107 GRF107	6P	0.99	19147	1444		114	0.95				1.1	17105	1290		114	1.05				1.3		14944	1127	114	1.20				1.4		13366	1008	114	1.35				1.6	11616	876		114			1.55		1.9	10237	772	114	1.75					2.2	8725	658	114	2.05					2.7	7067	533	68	1.85			GR107 GRF107	4P	3.1	6153	464			68	2.10	3.3							5662	427	69	2.30			3.9			4813	363	69	2.70			4.5	4243	320			70	3.05	1.2	15501	1169	37	0.85			GR97 GRF97	4P	1.4	13631	1028	58	0.95					1.6	11589	874	61	1.10				1.9	10223		771	64	1.25			2.1	9056		683	65		1.45			2.3	8075	609			66	1.60	2.6	7280	549	67	1.75			3.0			6378	481	68			2.00	2.0	9375			707	42	0.85	GR147R87 GRF147R87	4P		2.3	8155		615	50	0.95			1.9	9733	734	34	0.80					GR137R77 GRF137R77	4P	2.3	8380	632					49	0.95	2.5	7465		563						51		1.05		2.9	6537	493			53			1.20	3.3			5702	430	55	1.40	3.7					5092	384	55					1.55	4.4	4309		325	56	1.85	4.9		3885	293	57	2.05	5.6			3395	256			57	2.35	6.4	2944	222	57	2.70	11	1752			125.51			10	0.85	GR87 GRF87	4P	12	1660	118.94	14	0.90	14	1453			104.10	16	1.00		15	1309		93.79	17			1.10	17	1148	82.27	18			1.25	20	1017			72.88	19	1.45	22	893			63.96	19	1.65	24		846		60.61	19	1.70	27	740	53.05		19		1.95	30	667	47.79	19	2.20	34	585	41.92	19	2.50	39	516	37.00	18			2.80	44	458	32.80	18	3.20		41	482		34.55	18	2.90	GR87 GRF87	4P	45	440	31.53	17	3.30	51	390			27.96			17	3.70	61	328			23.51	16	4.40	66	301	21.60	16			4.70																																																																																																														
0.85	22237	1677	114	0.80			GR167R97 GRF167R97	4P	6.8	2771	209							21	1.05	GR107 GRF107	6P																																																																																																																																																																																																																																																																																																																																																																																																																																																																																																																																															
0.99	19147	1444	114	0.95					1.1	17105	1290			114	1.05			1.3	14944			1127	114	1.20	1.4	13366		1008	114				1.35	1.6	11616		876	114				1.55	1.9	10237		772	114				1.75		2.2	8725	658	114				2.05		2.7	7067	533	68				1.85	GR107 GRF107	4P		3.1			6153		464	68	2.10	3.3	5662					427	69	2.30	3.9	4813					363	69	2.70	4.5	4243					320	70	3.05			1.2	15501	1169	37	0.85	GR97 GRF97	4P			1.4	13631	1028	58	0.95	1.6	11589	874	61	1.10	1.9	10223	771			64	1.25	2.1			9056	683	65	1.45	2.3	8075	609					66	1.60	2.6	7280	549					67	1.75	3.0	6378	481				68	2.00		2.0	9375	707			42	0.85		GR147R87 GRF147R87	4P		2.3			8155	615	50			0.95	1.9	9733	734	34	0.80	GR137R77 GRF137R77			4P	2.3	8380	632	49	0.95	2.5	7465	563	51	1.05			2.9	6537	493				53	1.20		3.3	5702	430			55	1.40	3.7	5092	384			55	1.55			4.4	4309	325					56	1.85	4.9	3885	293	57		2.05				5.6		3395		256	57	2.35			6.4			2944	222			57	2.70	11	1752	125.51					10	0.85	GR87 GRF87					4P	12	1660		118.94	14	0.90	14		1453	104.10	16	1.00	15	1309	93.79	17	1.10			17	1148	82.27	18	1.25	20	1017	72.88	19	1.45	22	893	63.96	19	1.65	24			846	60.61	19	1.70	27	740	53.05			19	1.95	30	667	47.79	19	2.20	34	585			41.92	19	2.50	39	516			37.00	18	2.80			44	458	32.80	18	3.20			41	482	34.55	18		2.90		GR87 GRF87	4P	45	440	31.53	17		3.30		51	390	27.96	17	3.70	61	328	23.51	16	4.40	66	301	21.60	16	4.70																																																																																																																																																											
1.1	17105	1290	114	1.05	1.3	14944			1127	114	1.20	1.4	13366	1008	114			1.35	1.6			11616	876	114	1.55	1.9		10237	772				114	1.75	2.2		8725	658				114	2.05	2.7		7067	533				68		1.85	GR107 GRF107	4P	3.1				6153		464	68	2.10	3.3				5662				427			69		2.30	3.9	4813	363	69					2.70	4.5	4243	320	70					3.05	1.2	15501	1169	37					0.85	GR97 GRF97	4P			1.4	13631	1028	58	0.95					1.6	11589	874	61	1.10	1.9	10223	771	64	1.25	2.1	9056	683			65	1.45	2.3			8075	609	66	1.60	2.6	7280	549					67	1.75	3.0	6378	481					68	2.00	2.0	9375	707				42	0.85		GR147R87 GRF147R87	4P	2.3			8155	615					50			0.95	1.9	9733			734	34	0.80	GR137R77 GRF137R77	4P	2.3					8380	632	49	0.95	2.5	7465	563	51	1.05	2.9			6537	493	53				1.20	3.3		5702	430	55			1.40	3.7	5092	384	55			1.55	4.4			4309	325	56					1.85	4.9	3885	293	57	2.05		5.6				3395		256		57	2.35	6.4			2944			222	57			2.70	11	1752	125.51	10					0.85	GR87 GRF87							4P	12		1660	118.94	14	0.90		14	1453	104.10	16	1.00	15	1309	93.79	17			1.10	17	1148	82.27	18	1.25	20	1017	72.88	19	1.45	22	893	63.96	19	1.65			24	846	60.61	19	1.70	27	740			53.05	19	1.95	30	667	47.79	19	2.20	34			585	41.92	19	2.50	39			516	37.00	18			2.80	44	458	32.80	18			3.20	41	482	34.55		18				2.90	GR87 GRF87	4P	45		440		31.53	17	3.30	51	390	27.96	17	3.70	61	328	23.51	16	4.40	66	301			21.60	16	4.70																																																																																																																																																						
1.3	14944	1127	114	1.20	1.4	13366			1008	114	1.35	1.6	11616	876	114			1.55	1.9			10237	772	114	1.75	2.2		8725	658				114	2.05	2.7		7067	533				68	1.85	GR107 GRF107		4P	3.1				6153		464			68				2.10		3.3	5662	427	69				2.30				3.9			4813		363	69	2.70	4.5	4243					320	70	3.05	1.2	15501			1169	37	0.85	GR97 GRF97	4P	1.4	13631	1028	58			0.95					1.6	11589	874	61	1.10					1.9	10223	771	64	1.25	2.1	9056	683	65	1.45	2.3	8075	609			66	1.60	2.6			7280	549	67	1.75	3.0	6378	481					68	2.00	2.0	9375	707					42	0.85	GR147R87 GRF147R87	4P	2.3				8155	615				50			0.95	1.9	9733			734	34			0.80	GR137R77 GRF137R77	4P			2.3	8380	632			49					0.95	2.5	7465	563	51	1.05	2.9	6537	493	53			1.20	3.3	5702			430	55	1.40	3.7	5092	384	55			1.55	4.4	4309	325	56			1.85	4.9			3885	293	57					2.05	5.6	3395	256	57	2.35		6.4				2944		222		57	2.70	11			1752			125.51	10			0.85	GR87 GRF87	4P	12	1660					118.94					14	0.90			14		1453	104.10	16	1.00		15	1309	93.79	17	1.10	17	1148	82.27	18	1.25	20	1017	72.88	19	1.45	22	893	63.96	19	1.65	24	846	60.61	19	1.70	27	740			53.05	19	1.95	30	667	47.79	19			2.20	34	585	41.92	19	2.50	39	516	37.00			18	2.80	44	458	32.80			18	3.20	41			482	34.55	18	2.90	GR87 GRF87			4P	45	440	31.53		17				3.30			51		390		27.96	17	3.70	61	328	23.51	16	4.40	66	301	21.60	16	4.70																																																																																																																																																													
1.4	13366	1008	114	1.35	1.6	11616			876	114	1.55	1.9	10237	772	114			1.75	2.2			8725	658	114	2.05	2.7		7067	533				68	1.85	GR107 GRF107		4P	3.1				6153	464				68				2.10		3.3			5662				427		69	2.30	3.9	4813				363				69			2.70		4.5	4243	320	70	3.05		1.2	15501		1169	37	0.85	GR97 GRF97	4P	1.4	13631	1028	58	0.95			1.6	11589	874	61			1.10					1.9	10223	771	64	1.25					2.1	9056	683	65	1.45	2.3	8075	609	66	1.60	2.6	7280	549			67	1.75	3.0			6378	481	68	2.00	2.0	9375	707					42	0.85	GR147R87 GRF147R87	4P	2.3					8155	615			50		0.95		1.9	9733	734			34			0.80	GR137R77 GRF137R77	4P			2.3	8380			632					49	0.95	2.5			7465					563	51	1.05	2.9	6537	493	53	1.20	3.3	5702	430	55	1.40	3.7	5092			384	55	1.55	4.4	4309	325	56			1.85	4.9	3885	293	57			2.05	5.6			3395	256	57					2.35	6.4	2944	222	57	2.70		11				1752		125.51		10	0.85	GR87 GRF87			4P			12	1660			118.94			14	0.90	14	1453			104.10					16	1.00			15	1309	93.79	17	1.10	17	1148	82.27	18	1.25	20	1017	72.88	19	1.45	22	893	63.96	19	1.65	24	846	60.61	19	1.70	27	740	53.05	19	1.95	30	667	47.79	19			2.20	34	585	41.92	19	2.50	39			516	37.00	18	2.80	44	458	32.80	18	3.20			41	482	34.55	18	2.90			GR87 GRF87	4P	45			440	31.53	17	3.30					51	390	27.96		17				3.70			61	328	23.51	16	4.40	66	301	21.60	16	4.70																																																																																																																																																																				
1.6	11616	876	114	1.55	1.9	10237			772	114	1.75	2.2	8725	658	114			2.05	2.7			7067	533	68	1.85	GR107 GRF107		4P	3.1				6153	464				68				2.10	3.3				5662				427		69			2.30				3.9		4813	363	69	2.70				4.5			4243	320	70		3.05		1.2	15501	1169	37	0.85	GR97 GRF97	4P	1.4	13631	1028	58	0.95			1.6	11589	874	61	1.10			1.9	10223	771	64			1.25					2.1	9056	683	65	1.45					2.3	8075	609	66	1.60	2.6	7280	549	67	1.75	3.0	6378	481			68	2.00	2.0			9375	707	42	0.85	GR147R87 GRF147R87	4P	2.3					8155	615			50	0.95	1.9			9733	734			34		0.80		GR137R77 GRF137R77	4P	2.3			8380			632					49	0.95			2.5					7465	563	51			1.05		2.9	6537		493	53	1.20	3.3	5702	430	55	1.40	3.7	5092	384	55	1.55	4.4	4309			325	56	1.85	4.9	3885	293	57			2.05	5.6	3395	256	57			2.35	6.4			2944	222	57					2.70	11	1752	125.51	10	0.85		GR87 GRF87				4P		12		1660	118.94					14	0.90	14	1453			104.10			16	1.00	15	1309			93.79			17	1.10	17	1148			82.27	18	1.25	20	1017	72.88	19	1.45	22	893	63.96	19	1.65	24	846	60.61	19	1.70	27	740	53.05	19	1.95	30	667	47.79	19	2.20	34	585	41.92	19	2.50	39			516	37.00	18	2.80	44	458	32.80			18	3.20	41	482	34.55	18	2.90	GR87 GRF87	4P			45	440	31.53	17	3.30					51			390	27.96	17	3.70					61	328	23.51	16	4.40	66			301			21.60	16	4.70																																																																																																																																																																											
1.9	10237	772	114	1.75	2.2	8725			658	114	2.05	2.7	7067	533	68			1.85	GR107 GRF107			4P	3.1	6153	464				68				2.10	3.3				5662				427	69				2.30				3.9		4813			363				69	2.70	4.5	4243	320	70	3.05			1.2			15501	1169	37	0.85	GR97 GRF97	4P	1.4	13631	1028	58	0.95			1.6	11589	874	61	1.10			1.9	10223	771	64	1.25			2.1	9056	683	65			1.45					2.3	8075	609	66	1.60					2.6	7280	549	67	1.75	3.0	6378	481	68	2.00	2.0	9375	707			42	0.85	GR147R87 GRF147R87			4P	2.3	8155	615			50	0.95	1.9			9733	734			34	0.80	GR137R77 GRF137R77			4P	2.3			8380		632				49			0.95			2.5					7465	563			51			1.05	2.9	6537	493	53			1.20		3.3	5702		430	55	1.40	3.7	5092	384	55	1.55	4.4	4309	325	56	1.85	4.9	3885			293	57	2.05	5.6	3395	256	57			2.35	6.4	2944	222	57			2.70	11			1752	125.51	10					0.85	GR87 GRF87	4P	12	1660	118.94							14	0.90	14	1453	104.10					16	1.00	15	1309			93.79			17	1.10	17	1148	82.27	18	1.25			20	1017	72.88	19			1.45	22	893	63.96	19	1.65	24	846	60.61	19	1.70	27	740	53.05	19	1.95	30	667	47.79	19	2.20	34	585	41.92	19	2.50	39	516	37.00	18	2.80	44	458	32.80			18	3.20	41	482	34.55	18	2.90			GR87 GRF87	4P	45	440	31.53	17	3.30					51	390	27.96	17	3.70					61			328	23.51	16	4.40		66	301		21.60	16	4.70																																																																																																																																																																																						
2.2	8725	658	114	2.05	2.7	7067			533	68	1.85	GR107 GRF107	4P	3.1	6153			464					68	2.10	3.3				5662				427	69				2.30				3.9	4813				363				69	2.70	4.5			4243	320			70	3.05	1.2	15501	1169	37	0.85	GR97 GRF97	4P	1.4			13631	1028	58	0.95			1.6	11589	874	61	1.10			1.9	10223	771	64	1.25			2.1	9056	683	65	1.45			2.3	8075	609	66			1.60					2.6	7280	549	67	1.75					3.0	6378	481	68	2.00	2.0	9375	707	42	0.85	GR147R87 GRF147R87	4P	2.3			8155	615		50	0.95		1.9	9733	734			34	0.80	GR137R77 GRF137R77			4P	2.3			8380	632					49			0.95		2.5				7465			563			51					1.05	2.9	6537	493	53			1.20	3.3	5702	430	55			1.40		3.7	5092		384	55	1.55	4.4	4309	325	56	1.85	4.9	3885	293	57	2.05	5.6	3395			256	57	2.35	6.4	2944	222	57			2.70	11	1752	125.51	10			0.85	GR87 GRF87			4P	12	1660					118.94			14	0.90	14	1453		104.10				16	1.00	15	1309	93.79					17	1.10	17	1148	82.27	18	1.25			20	1017	72.88	19	1.45	22	893			63.96	19	1.65	24			846	60.61	19	1.70	27	740	53.05	19	1.95	30	667	47.79	19	2.20	34	585	41.92	19	2.50	39	516	37.00	18	2.80	44	458	32.80	18	3.20	41	482	34.55	18	2.90			GR87 GRF87	4P	45	440	31.53	17	3.30					51	390	27.96	17	3.70					61	328	23.51	16	4.40					66	301	21.60	16	4.70																																																																																																																																																																																															
2.7	7067	533	68	1.85	GR107 GRF107	4P			3.1	6153	464			68	2.10			3.3					5662	427	69				2.30				3.9	4813				363				69	2.70		4.5		4243	320			70	3.05	1.2			15501	1169	37	0.85	GR97 GRF97	4P	1.4	13631	1028	58	0.95			1.6			11589	874	61	1.10			1.9	10223	771	64	1.25			2.1	9056	683	65	1.45			2.3	8075	609	66	1.60			2.6	7280	549	67			1.75					3.0	6378	481	68	2.00					2.0	9375	707	42	0.85	GR147R87 GRF147R87	4P	2.3	8155	615			50	0.95	1.9	9733	734		34	0.80		GR137R77 GRF137R77	4P	2.3			8380	632					49			0.95	2.5					7465			563		51				1.05			2.9	6537	493	53					1.20	3.3	5702	430	55			1.40	3.7	5092	384	55			1.55		4.4	4309		325	56	1.85	4.9	3885	293	57	2.05	5.6	3395	256	57	2.35	6.4	2944			222	57	2.70	11	1752	125.51	10			0.85	GR87 GRF87	4P	12	1660			118.94					14	0.90	14	1453			104.10			16	1.00	15	1309		93.79				17	1.10	17	1148	82.27		18	1.25		20	1017	72.88	19	1.45	22	893			63.96	19	1.65	24	846	60.61	19			1.70	27	740	53.05			19	1.95	30	667	47.79	19	2.20	34	585	41.92	19	2.50	39	516	37.00	18	2.80	44	458	32.80	18	3.20	41	482	34.55	18	2.90	GR87 GRF87	4P	45	440	31.53	17	3.30					51	390	27.96	17	3.70					61	328	23.51	16	4.40					66	301	21.60	16	4.70																																																																																																																																																																																																								
3.1	6153	464	68	2.10					3.3	5662	427			69	2.30			3.9					4813	363	69				2.70				4.5	4243		320		70	3.05			1.2	15501		1169		37	0.85	GR97 GRF97	4P	1.4	13631	1028			58	0.95	1.6	11589			874	61	1.10	1.9	10223			771			64	1.25	2.1	9056			683	65	1.45	2.3	8075			609	66	1.60	2.6	7280			549	67	1.75	3.0	6378			481	68	2.00	2.0			9375					707	42	0.85	GR147R87 GRF147R87	4P			2.3	8155	615	50	0.95	1.9	9733			734	34	0.80			GR137R77 GRF137R77	4P	2.3	8380	632		49	0.95				2.5			7465	563					51			1.05	2.9					6537			493	53	1.20	3.3			5702			430	55	1.40	3.7					5092	384	55	1.55	4.4			4309	325	56	1.85	4.9			3885		293	57		2.05	5.6	3395	256	57	2.35	6.4	2944	222	57	2.70	11	1752	125.51	10			0.85	GR87 GRF87	4P	12	1660	118.94	14			0.90			14	1453	104.10	16	1.00					15	1309	93.79	17			1.10			17	1148	82.27	18		1.25	20	1017		72.88	19	1.45	22	893		63.96	19		1.65	24	846	60.61	19	1.70	27			740	53.05	19	1.95	30	667	47.79			19	2.20	34	585			41.92	19	2.50	39	516	37.00	18	2.80	44	458	32.80	18	3.20	41	482	34.55	18	2.90	GR87 GRF87	4P	45	440	31.53	17	3.30	51	390			27.96	17	3.70	61	328					23.51	16	4.40	66	301					21.60	16	4.70																																																																																																																																																																																																																			
3.3	5662	427	69	2.30					3.9	4813	363			69	2.70			4.5					4243	320	70		3.05		1.2	15501			1169	37		0.85		GR97 GRF97	4P	1.4	13631	1028	58		0.95		1.6	11589			874	61	1.10			1.9	10223	771	64			1.25	2.1	9056	683	65			1.45			2.3	8075	609	66			1.60	2.6	7280	549	67			1.75	3.0	6378	481	68			2.00	2.0	9375	707	42			0.85	GR147R87 GRF147R87	4P	2.3			8155			615	50	0.95	1.9	9733					734	34	0.80	GR137R77 GRF137R77	4P	2.3	8380			632	49	0.95					2.5	7465	563		51	1.05				2.9			6537	493					53			1.20	3.3		5702	430		55			1.40	3.7	5092	384			55			1.55	4.4	4309	325					56	1.85	4.9	3885	293			57	2.05	5.6	3395	256			57		2.35	6.4		2944	222	57	2.70	11	1752	125.51	10	0.85	GR87 GRF87	4P	12	1660	118.94	14			0.90			14	1453	104.10	16	1.00	15	1309			93.79	17	1.10	17	1148					82.27	18	1.25	20	1017	72.88	19			1.45	22	893	63.96		19	1.65	24		846	60.61	19	1.70	27		740	53.05		19	1.95	30	667	47.79	19	2.20			34	585	41.92	19	2.50	39	516			37.00	18	2.80	44			458	32.80	18	3.20	41	482	34.55	18	2.90	GR87 GRF87	4P	45	440	31.53	17	3.30	51	390			27.96	17	3.70	61	328	23.51	16			4.40	66	301	21.60	16					4.70																																																																																																																																																																																																																														
3.9	4813	363	69	2.70					4.5	4243	320			70	3.05	1.2	15501	1169					37	0.85	GR97 GRF97		4P		1.4	13631	1028	58	0.95	1.6		11589				874	61	1.10	1.9		10223		771	64			1.25	2.1	9056			683	65	1.45	2.3			8075	609	66	1.60	2.6			7280			549	67	1.75	3.0			6378	481	68	2.00	2.0			9375	707	42	0.85	GR147R87 GRF147R87			4P	2.3	8155	615	50			0.95			1.9	9733	734	34			0.80	GR137R77 GRF137R77	4P	2.3	8380					632	49	0.95			2.5	7465			563	51	1.05					2.9	6537	493		53	1.20				3.3			5702	430		55	1.40		3.7			5092	384		55	1.55		4.4			4309	325	56	1.85			4.9			3885	293	57	2.05					5.6	3395	256	57	2.35			6.4	2944	222	57	2.70			11		1752	125.51		10	0.85	GR87 GRF87	4P	12	1660	118.94	14	0.90			14	1453	104.10	16	1.00	15	1309			93.79	17	1.10	17	1148	82.27	18			1.25	20	1017	72.88	19		1.45	22		893	63.96	19	1.65	24	846	60.61			19	1.70	27	740		53.05	19	1.95		30	667	47.79	19	2.20		34	585		41.92	19	2.50	39	516	37.00	18			2.80	44	458	32.80	18	3.20	41			482	34.55	18	2.90			GR87 GRF87	4P	45	440	31.53	17	3.30	51	390			27.96	17	3.70	61	328	23.51	16			4.40	66	301	21.60	16	4.70																																																																																																																																																																																																																																											
4.5	4243	320	70	3.05			1.2	15501	1169	37	0.85			GR97 GRF97	4P	1.4	13631	1028		58	0.95		1.6	11589					874	61	1.10	1.9	10223	771		64				1.25	2.1	9056	683		65		1.45	2.3			8075	609	66			1.60	2.6	7280	549			67	1.75	3.0	6378	481			68			2.00	2.0	9375	707			42	0.85	GR147R87 GRF147R87	4P	2.3			8155	615	50	0.95					1.9	9733	734	34			0.80			GR137R77 GRF137R77	4P	2.3	8380			632			49	0.95					2.5	7465	563			51	1.05			2.9	6537	493					53	1.20	3.3		5702	430				55			1.40	3.7		5092	384		55			1.55	4.4		4309	325		56			1.85	4.9	3885	293			57			2.05	5.6	3395	256					57	2.35	6.4	2944	222			57	2.70	11	1752	125.51			10		0.85	GR87 GRF87		4P	12			1660	118.94	14	0.90	14			1453	104.10	16	1.00	15	1309	93.79			17	1.10	17	1148	82.27	18	1.25			20	1017	72.88	19	1.45		22	893		63.96	19	1.65	24	846	60.61	19			1.70	27	740	53.05		19	1.95	30		667	47.79	19	2.20	34		585	41.92		19	2.50	39	516	37.00	18	2.80			44	458	32.80	18	3.20	41	482			34.55	18	2.90	GR87 GRF87					4P	45	440	31.53	17	3.30	51			390	27.96	17	3.70	61	328	23.51			16	4.40	66	301	21.60	16	4.70																																																																																																																																																																																																																																										
1.2	15501	1169	37	0.85			GR97 GRF97	4P	1.4	13631	1028					58	0.95	1.6		11589	874		61	1.10					1.9	10223	771	64	1.25	2.1		9056				683	65	1.45	2.3		8075		609	66			1.60	2.6	7280			549	67	1.75	3.0			6378	481	68	2.00	2.0			9375	707	42	0.85	GR147R87 GRF147R87	4P	2.3			8155	615			50			0.95	1.9	9733	734					34	0.80	GR137R77 GRF137R77	4P			2.3					8380	632			49			0.95	2.5			7465	563	51	1.05	2.9			6537	493			53	1.20	3.3					5702	430	55		1.40	3.7				5092			384	55		1.55	4.4		4309			325	56		1.85	4.9		3885			293	57	2.05	5.6			3395			256	57	2.35	6.4			2944	222	57	2.70	11	1752	125.51			10	0.85	GR87 GRF87	4P	12			1660	118.94	14		0.90		14			1453	104.10	16	1.00	15			1309	93.79	17	1.10	17	1148	82.27			18	1.25	20	1017	72.88	19	1.45			22	893	63.96	19	1.65		24	846		60.61	19	1.70	27	740	53.05	19			1.95	30	667	47.79		19	2.20	34		585	41.92	19	2.50	39		516	37.00		18	2.80	44	458	32.80	18	3.20			41	482	34.55	18	2.90	GR87 GRF87	4P		45	440	31.53	17		3.30					51	390	27.96	17	3.70	61			328	23.51	16	4.40	66	301	21.60			16	4.70																																																																																																																																																																																																																																															
1.4	13631	1028	58	0.95					1.6	11589	874					61	1.10	1.9		10223	771		64	1.25					2.1	9056	683	65	1.45	2.3		8075				609	66	1.60	2.6		7280		549	67			1.75	3.0	6378	481	68	2.00	2.0	9375	707			42	0.85	GR147R87 GRF147R87	4P	2.3			8155	615	50	0.95			1.9			9733	734			34			0.80	GR137R77 GRF137R77	4P	2.3					8380	632					49					0.95	2.5	7465	563	51			1.05	2.9			6537	493	53	1.20	3.3			5702	430			55	1.40	3.7					5092	384	55		1.55	4.4				4309			325	56		1.85	4.9		3885			293	57		2.05	5.6		3395			256	57	2.35	6.4			2944	222	57	2.70	11	1752	125.51			10	0.85	GR87 GRF87	4P	12	1660	118.94			14	0.90			14	1453	104.10	16	1.00	15		1309		93.79			17	1.10	17	1148	82.27			18	1.25	20	1017	72.88	19	1.45			22	893	63.96	19	1.65	24	846			60.61	19	1.70	27	740		53.05	19		1.95	30	667	47.79	19	2.20	34			585	41.92	19	2.50		39	516	37.00		18	2.80	44	458	32.80		18	3.20		41	482	34.55	18	2.90	GR87 GRF87	4P			45	440	31.53	17	3.30			51	390	27.96	17	3.70		61	328				23.51	16	4.40	66	301	21.60			16	4.70																																																																																																																																																																																																																																																								
1.6	11589	874	61	1.10					1.9	10223	771					64	1.25	2.1		9056	683		65	1.45					2.3	8075	609	66	1.60	2.6		7280				549	67	1.75	3.0	6378	481	68	2.00	2.0			9375	707	42	0.85	GR147R87 GRF147R87	4P	2.3	8155	615			50	0.95			1.9			9733	734	34	0.80			GR137R77 GRF137R77			4P	2.3			8380			632			49					0.95	2.5			7465	563	51					1.05	2.9	6537	493	53			1.20	3.3			5702	430	55	1.40	3.7			5092	384			55	1.55	4.4					4309	325	56		1.85	4.9				3885			293	57		2.05	5.6		3395			256	57		2.35	6.4		2944	222	57	2.70	11	1752	125.51			10	0.85	GR87 GRF87	4P	12	1660	118.94			14	0.90			14	1453	104.10	16	1.00	15	1309			93.79	17	1.10	17	1148	82.27		18		1.25			20	1017	72.88	19	1.45			22	893	63.96	19	1.65	24	846			60.61	19	1.70	27	740	53.05	19			1.95	30	667	47.79	19		2.20	34		585	41.92	19	2.50	39	516	37.00			18	2.80	44	458		32.80	18	3.20		41	482	34.55	18	2.90		GR87 GRF87	4P		45	440	31.53	17	3.30			51	390	27.96	17	3.70	61	328			23.51	16	4.40	66	301		21.60	16				4.70																																																																																																																																																																																																																																																																	
1.9	10223	771	64	1.25					2.1	9056	683					65	1.45	2.3		8075	609		66	1.60					2.6	7280	549	67	1.75	3.0	6378	481	68			2.00	2.0	9375	707	42	0.85	GR147R87 GRF147R87	4P	2.3			8155	615	50	0.95			1.9	9733	734			34	0.80			GR137R77 GRF137R77			4P	2.3	8380	632							49			0.95			2.5			7465		563	51		1.05	2.9			6537	493	53					1.20	3.3	5702	430	55			1.40	3.7			5092	384	55	1.55	4.4			4309	325			56	1.85	4.9					3885	293	57		2.05	5.6				3395			256	57		2.35	6.4		2944	222	57	2.70	11		1752	125.51		10	0.85	GR87 GRF87	4P	12	1660	118.94			14	0.90			14	1453	104.10	16	1.00	15	1309			93.79	17	1.10	17	1148	82.27	18			1.25	20	1017	72.88	19	1.45		22		893			63.96	19	1.65	24	846			60.61	19	1.70	27	740	53.05	19			1.95	30	667	47.79	19	2.20	34			585	41.92	19	2.50	39		516	37.00		18	2.80	44	458	32.80	18	3.20			41	482	34.55	18		2.90	GR87 GRF87	4P		45	440	31.53	17	3.30	51			390	27.96	17	3.70	61	328			23.51	16	4.40	66	301	21.60	16			4.70																																																																																																																																																																																																																																																																												
2.1	9056	683	65	1.45					2.3	8075	609					66	1.60	2.6		7280	549		67	1.75		3.0		6378	481	68	2.00	2.0	9375	707	42	0.85	GR147R87 GRF147R87			4P	2.3	8155	615	50	0.95			1.9			9733	734	34	0.80			GR137R77 GRF137R77	4P	2.3			8380	632							49	0.95	2.5							7465			563	51	1.05	2.9			6537		493	53		1.20	3.3			5702	430	55					1.40	3.7	5092	384	55			1.55	4.4			4309	325	56	1.85	4.9			3885	293			57	2.05	5.6					3395	256	57		2.35	6.4				2944	222	57	2.70	11		1752	125.51		10	0.85	GR87 GRF87	4P	12		1660	118.94		14	0.90			14	1453	104.10	16	1.00	15	1309			93.79	17	1.10	17	1148	82.27	18			1.25	20	1017	72.88	19	1.45	22			893	63.96	19	1.65	24	846		60.61		19			1.70	27	740	53.05	19			1.95	30	667	47.79	19	2.20	34			585	41.92	19	2.50	39	516	37.00			18	2.80	44	458	32.80		18	3.20		41	482	34.55	18	2.90	GR87 GRF87	4P			45	440	31.53	17	3.30	51			390	27.96	17	3.70	61	328	23.51			16	4.40	66	301	21.60	16			4.70																																																																																																																																																																																																																																																																																					
2.3	8075	609	66	1.60					2.6	7280	549					67	1.75	3.0	6378	481	68	2.00	2.0	9375		707		42	0.85	GR147R87 GRF147R87	4P	2.3	8155	615	50	0.95					1.9	9733	734	34	0.80			GR137R77 GRF137R77			4P	2.3	8380	632					49			0.95	2.5							7465	563	51				1.05	2.9		6537			493	53	1.20	3.3			5702		430	55		1.40	3.7			5092	384	55					1.55	4.4	4309	325	56			1.85	4.9			3885	293	57	2.05	5.6			3395	256			57	2.35	6.4					2944	222	57	2.70	11	1752	125.51			10	0.85	GR87 GRF87	4P	12		1660	118.94		14	0.90			14	1453	104.10	16	1.00	15	1309			93.79	17	1.10	17	1148	82.27	18			1.25	20	1017	72.88	19	1.45	22			893	63.96	19	1.65	24	846	60.61			19	1.70	27	740	53.05	19		1.95		30			667	47.79	19	2.20	34			585	41.92	19	2.50	39	516	37.00			18	2.80	44	458	32.80	18	3.20			41	482	34.55	18	2.90		GR87 GRF87	4P		45	440	31.53	17	3.30			51	390	27.96	17	3.70	61	328	23.51			16	4.40	66	301	21.60	16	4.70																																																																																																																																																																																																																																																																																																
2.6	7280	549	67	1.75					3.0	6378	481	68	2.00			2.0	9375	707	42	0.85	GR147R87 GRF147R87	4P	2.3	8155		615		50	0.95			1.9	9733	734	34	0.80					GR137R77 GRF137R77	4P	2.3	8380	632							49	0.95	2.5					7465			563	51				1.05	2.9		6537	493	53				1.20	3.3		5702			430	55	1.40	3.7			5092		384	55		1.55	4.4			4309	325	56					1.85	4.9	3885	293	57			2.05	5.6			3395	256	57	2.35	6.4			2944	222			57	2.70	11	1752	125.51			10	0.85	GR87 GRF87	4P	12	1660	118.94			14	0.90			14	1453	104.10	16	1.00	15	1309			93.79	17	1.10	17	1148	82.27	18			1.25	20	1017	72.88	19	1.45	22			893	63.96	19	1.65	24	846	60.61			19	1.70	27	740	53.05	19	1.95			30	667	47.79	19	2.20	34		585		41.92			19	2.50	39	516	37.00			18	2.80	44	458	32.80	18	3.20			41	482	34.55	18	2.90	GR87 GRF87	4P			45	440	31.53	17	3.30	51			390	27.96	17	3.70	61	328			23.51	16	4.40	66	301	21.60	16	4.70																																																																																																																																																																																																																																																																																																									
3.0	6378	481	68	2.00	2.0	9375			707	42	0.85	GR147R87 GRF147R87	4P			2.3	8155	615	50	0.95			1.9	9733		734		34	0.80			GR137R77 GRF137R77	4P	2.3	8380	632							49	0.95	2.5							7465	563	51					1.05	2.9	6537	493	53				1.20	3.3		5702	430	55				1.40	3.7		5092			384	55	1.55	4.4			4309		325	56		1.85	4.9			3885	293	57					2.05	5.6	3395	256	57			2.35	6.4			2944	222	57	2.70	11			1752	125.51	10	0.85	GR87 GRF87	4P	12	1660	118.94			14	0.90			14	1453	104.10	16	1.00	15	1309			93.79	17	1.10	17	1148	82.27	18			1.25	20	1017	72.88	19	1.45	22			893	63.96	19	1.65	24	846	60.61			19	1.70	27	740	53.05	19	1.95			30	667	47.79	19	2.20	34	585			41.92	19	2.50	39	516	37.00		18		2.80			44	458	32.80	18	3.20			41	482	34.55	18	2.90	GR87 GRF87	4P			45	440	31.53	17	3.30			51	390	27.96	17	3.70	61	328	23.51			16	4.40	66	301	21.60	16			4.70																																																																																																																																																																																																																																																																																																																
2.0	9375	707	42	0.85	GR147R87 GRF147R87	4P			2.3	8155	615					50	0.95	1.9	9733	734			34	0.80		GR137R77 GRF137R77		4P	2.3					8380	632	49							0.95	2.5	7465				563	51		1.05	2.9	6537					493	53	1.20	3.3	5702				430	55		1.40	3.7	5092				384	55		1.55			4.4	4309	325	56			1.85		4.9	3885		293	57			2.05	5.6	3395					256	57	2.35	6.4	2944			222	57	2.70	11	1752	125.51	10	0.85	GR87 GRF87			4P	12	1660	118.94			14	0.90	14	1453	104.10	16	1.00			15	1309	93.79	17	1.10	17	1148			82.27	18	1.25	20	1017	72.88	19			1.45	22	893	63.96	19	1.65	24			846	60.61	19	1.70	27	740	53.05			19	1.95	30	667	47.79	19	2.20			34	585	41.92	19	2.50	39	516			37.00	18	2.80	44	458	32.80		18		3.20			41	482	34.55	18	2.90			GR87 GRF87	4P	45	440	31.53			17	3.30	51	390	27.96	17	3.70			61	328	23.51	16	4.40	66	301	21.60			16	4.70																																																																																																																																																																																																																																																																																																																							
2.3	8155	615	50	0.95					1.9	9733	734					34	0.80	GR137R77 GRF137R77	4P	2.3			8380	632					49					0.95	2.5	7465		563	51				1.05	2.9	6537				493	53		1.20	3.3	5702					430	55	1.40	3.7	5092				384	55		1.55	4.4	4309				325	56		1.85			4.9	3885	293	57			2.05		5.6	3395		256	57			2.35	6.4	2944	222	57			2.70	11	1752	125.51	10			0.85	GR87 GRF87	4P	12	1660	118.94	14	0.90		14	1453		104.10	16	1.00			15	1309	93.79	17	1.10	17	1148			82.27	18	1.25	20	1017	72.88	19			1.45	22	893	63.96	19	1.65	24			846	60.61	19	1.70	27	740	53.05			19	1.95	30	667	47.79	19	2.20			34	585	41.92	19	2.50	39	516			37.00	18	2.80	44	458	32.80	18			3.20	41	482	34.55	18	2.90		GR87 GRF87		4P			45	440	31.53	17	3.30	51	390			27.96	17	3.70			61	328	23.51	16	4.40	66	301			21.60	16	4.70																																																																																																																																																																																																																																																																																																																																
1.9	9733	734	34	0.80					GR137R77 GRF137R77	4P	2.3					8380	632			49			0.95	2.5	7465		563		51					1.05	2.9	6537		493	53				1.20	3.3	5702				430	55		1.40	3.7	5092					384	55	1.55	4.4	4309				325	56		1.85	4.9	3885				293	57		2.05			5.6	3395	256	57			2.35	6.4	2944	222	57	2.70	11			1752	125.51	10	0.85	GR87 GRF87			4P	12	1660	118.94	14	0.90	14	1453			104.10	16	1.00	15	1309		93.79	17		1.10	17	1148			82.27	18	1.25	20	1017	72.88	19			1.45	22	893	63.96	19	1.65	24			846	60.61	19	1.70	27	740	53.05			19	1.95	30	667	47.79	19	2.20			34	585	41.92	19	2.50	39	516			37.00	18	2.80	44	458	32.80	18			3.20	41	482	34.55	18	2.90	GR87 GRF87			4P	45	440	31.53	17	3.30					51	390	27.96	17	3.70	61	328	23.51	16			4.40	66	301			21.60	16	4.70																																																																																																																																																																																																																																																																																																																																									
2.3	8380	632	49	0.95							2.5			7465	563	51	1.05			2.9			6537	493	53		1.20		3.3					5702	430	55		1.40	3.7				5092	384	55				1.55	4.4		4309	325	56					1.85	4.9	3885	293	57				2.05	5.6		3395	256	57				2.35	6.4		2944	222	57	2.70	11	1752	125.51			10	0.85	GR87 GRF87	4P	12	1660	118.94			14	0.90	14	1453		104.10	16		1.00	15	1309	93.79	17	1.10	17			1148	82.27	18	1.25	20		1017	72.88		19	1.45	22			893	63.96	19	1.65	24	846	60.61			19	1.70	27	740	53.05	19	1.95			30	667	47.79	19	2.20	34	585			41.92	19	2.50	39	516	37.00	18			2.80	44	458	32.80	18	3.20	41			482	34.55	18	2.90	GR87 GRF87	4P	45			440	31.53	17	3.30	51	390					27.96	17	3.70	61	328	23.51		16		4.40	66	301	21.60	16	4.70																																																																																																																																																																																																																																																																																																																																																						
2.5	7465	563	51	1.05			2.9	6537			493			53	1.20	3.3	5702			430			55	1.40	3.7		5092		384					55	1.55	4.4		4309	325				56	1.85	4.9				3885	293		57	2.05	5.6					3395	256	57	2.35	6.4				2944	222		57	2.70	11	1752	125.51		10	0.85		GR87 GRF87	4P	12	1660	118.94	14	0.90			14	1453			104.10	16	1.00	15	1309	93.79	17	1.10	17		1148	82.27		18	1.25	20	1017	72.88	19	1.45			22	893	63.96	19	1.65		24	846		60.61	19	1.70			27	740	53.05	19	1.95	30	667			47.79	19	2.20	34	585	41.92	19			2.50	39	516	37.00	18	2.80	44			458	32.80	18	3.20	41	482	34.55			18	2.90	GR87 GRF87	4P	45	440	31.53			17	3.30	51	390			27.96			17	3.70	61	328	23.51	16		4.40	66		301	21.60	16	4.70																																																																																																																																																																																																																																																																																																																																																																	
2.9	6537	493	53	1.20			3.3	5702			430			55	1.40	3.7	5092			384			55	1.55	4.4		4309		325					56	1.85	4.9		3885	293				57	2.05	5.6				3395	256		57	2.35	6.4					2944	222	57	2.70	11	1752	125.51		10	0.85		GR87 GRF87	4P	12	1660	118.94		14	0.90				14	1453	104.10	16	1.00	15	1309	93.79	17			1.10	17	1148	82.27	18	1.25	20	1017	72.88		19	1.45		22	893	63.96	19	1.65	24	846			60.61	19	1.70	27	740		53.05	19		1.95	30	667			47.79	19	2.20	34	585	41.92	19			2.50	39	516	37.00	18	2.80	44			458	32.80	18	3.20	41	482	34.55			18	2.90	GR87 GRF87	4P	45	440	31.53			17	3.30			51	390	27.96			17	3.70	61	328			23.51	16	4.40	66	301	21.60	16	4.70																																																																																																																																																																																																																																																																																																																																																																										
3.3	5702	430	55	1.40			3.7	5092			384			55	1.55	4.4	4309			325			56	1.85	4.9		3885		293					57	2.05	5.6		3395	256				57	2.35	6.4				2944	222		57	2.70	11	1752	125.51			10	0.85	GR87 GRF87	4P	12	1660	118.94		14	0.90				14	1453	104.10	16	1.00	15	1309			93.79	17	1.10	17	1148	82.27	18	1.25	20			1017	72.88	19	1.45	22	893	63.96	19	1.65		24	846		60.61	19	1.70	27	740	53.05	19			1.95	30	667	47.79	19		2.20	34		585	41.92	19			2.50	39	516	37.00	18	2.80	44			458	32.80	18	3.20	41	482	34.55			18	2.90	GR87 GRF87	4P	45	440	31.53			17	3.30			51	390	27.96			17	3.70			61	328	23.51	16	4.40	66	301	21.60	16			4.70																																																																																																																																																																																																																																																																																																																																																																																	
3.7	5092	384	55	1.55			4.4	4309			325			56	1.85	4.9	3885			293			57	2.05	5.6		3395		256					57	2.35	6.4		2944	222				57	2.70	11	1752	125.51		10	0.85		GR87 GRF87	4P	12	1660	118.94			14	0.90			14	1453	104.10	16	1.00	15	1309			93.79	17	1.10	17	1148	82.27	18			1.25	20	1017	72.88	19	1.45	22	893	63.96			19	1.65	24	846	60.61	19	1.70	27	740		53.05	19		1.95	30	667	47.79	19	2.20	34			585	41.92	19	2.50	39		516	37.00		18	2.80	44			458	32.80	18	3.20	41	482	34.55			18	2.90	GR87 GRF87	4P	45	440	31.53			17	3.30			51	390	27.96			17	3.70			61	328	23.51	16	4.40	66	301			21.60	16	4.70																																																																																																																																																																																																																																																																																																																																																																																										
4.4	4309	325	56	1.85			4.9	3885			293			57	2.05	5.6	3395			256			57	2.35	6.4		2944		222					57	2.70	11	1752	125.51	10	0.85			GR87 GRF87	4P	12	1660	118.94		14	0.90				14	1453	104.10	16	1.00	15	1309			93.79	17	1.10	17	1148	82.27	18			1.25	20	1017	72.88	19	1.45	22			893	63.96	19	1.65	24	846	60.61	19	1.70			27	740	53.05	19	1.95	30	667	47.79	19		2.20	34		585	41.92	19	2.50	39	516	37.00			18	2.80	44	458	32.80		18	3.20		41	482	34.55			18	2.90	GR87 GRF87	4P	45	440	31.53			17	3.30			51	390	27.96			17	3.70			61	328	23.51	16	4.40	66	301			21.60	16	4.70																																																																																																																																																																																																																																																																																																																																																																																																			
4.9	3885	293	57	2.05			5.6	3395			256			57	2.35	6.4	2944			222			57	2.70	11		1752		125.51	10	0.85			GR87 GRF87	4P	12	1660	118.94	14	0.90					14	1453	104.10	16	1.00	15	1309			93.79	17	1.10	17	1148	82.27	18			1.25	20	1017	72.88	19	1.45	22			893	63.96	19	1.65	24	846	60.61			19	1.70	27	740	53.05	19	1.95	30	667			47.79	19	2.20	34	585	41.92	19	2.50	39		516	37.00		18	2.80	44	458	32.80	18	3.20			41	482	34.55	18	2.90		GR87 GRF87	4P		45	440	31.53			17	3.30			51	390	27.96			17	3.70			61	328	23.51	16	4.40	66	301			21.60	16	4.70																																																																																																																																																																																																																																																																																																																																																																																																												
5.6	3395	256	57	2.35			6.4	2944			222			57	2.70	11	1752			125.51	10	0.85	GR87 GRF87	4P	12		1660		118.94	14	0.90					14	1453	104.10	16	1.00	15	1309			93.79	17	1.10	17	1148	82.27	18			1.25	20	1017	72.88	19	1.45	22			893	63.96	19	1.65	24	846	60.61			19	1.70	27	740	53.05	19	1.95			30	667	47.79	19	2.20	34	585	41.92	19			2.50	39	516	37.00	18	2.80	44	458	32.80		18	3.20		41	482	34.55	18	2.90	GR87 GRF87	4P			45	440	31.53	17	3.30					51	390	27.96			17	3.70			61	328	23.51	16	4.40	66	301			21.60	16	4.70																																																																																																																																																																																																																																																																																																																																																																																																																					
6.4	2944	222	57	2.70			11	1752			125.51	10	0.85	GR87 GRF87	4P	12	1660			118.94	14	0.90			14		1453		104.10	16	1.00	15	1309			93.79	17	1.10	17	1148	82.27	18			1.25	20	1017	72.88	19	1.45	22			893	63.96	19	1.65	24	846	60.61			19	1.70	27	740	53.05	19	1.95			30	667	47.79	19	2.20	34	585			41.92	19	2.50	39	516	37.00	18	2.80	44			458	32.80	18	3.20	41	482	34.55	18	2.90		GR87 GRF87	4P		45	440	31.53	17	3.30					51	390	27.96	17	3.70					61	328	23.51	16	4.40	66	301			21.60	16	4.70																																																																																																																																																																																																																																																																																																																																																																																																																														
11	1752	125.51	10	0.85	GR87 GRF87	4P	12	1660			118.94	14	0.90			14	1453			104.10	16	1.00			15	1309	93.79	17	1.10	17	1148	82.27	18			1.25	20	1017	72.88	19	1.45	22			893	63.96	19	1.65	24	846	60.61			19	1.70	27	740	53.05	19	1.95			30	667	47.79	19	2.20	34	585			41.92	19	2.50	39	516	37.00	18			2.80	44	458	32.80	18	3.20	41	482	34.55			18	2.90	GR87 GRF87	4P	45	440	31.53	17	3.30					51	390	27.96	17	3.70					61	328	23.51	16	4.40	66			301	21.60	16	4.70																																																																																																																																																																																																																																																																																																																																																																																																																																							
12	1660	118.94	14	0.90			14	1453			104.10	16	1.00			15	1309	93.79	17	1.10	17	1148			82.27	18	1.25	20	1017	72.88	19	1.45	22			893	63.96	19	1.65	24	846	60.61			19	1.70	27	740	53.05	19	1.95			30	667	47.79	19	2.20	34	585			41.92	19	2.50	39	516	37.00	18			2.80	44	458	32.80	18	3.20	41			482	34.55	18	2.90	GR87 GRF87	4P	45	440	31.53			17	3.30			51	390	27.96	17	3.70					61	328	23.51	16	4.40			66	301	21.60	16	4.70																																																																																																																																																																																																																																																																																																																																																																																																																																																
14	1453	104.10	16	1.00			15	1309	93.79	17	1.10	17	1148			82.27	18	1.25	20	1017	72.88	19			1.45	22	893	63.96	19	1.65	24	846	60.61			19	1.70	27	740	53.05	19	1.95			30	667	47.79	19	2.20	34	585			41.92	19	2.50	39	516	37.00	18			2.80	44	458	32.80	18	3.20	41			482	34.55	18	2.90	GR87 GRF87	4P	45			440	31.53	17	3.30			51	390	27.96			17	3.70			61	328	23.51	16	4.40	66			301	21.60	16	4.70																																																																																																																																																																																																																																																																																																																																																																																																																																																									
15	1309	93.79	17	1.10			17	1148	82.27	18	1.25	20	1017			72.88	19	1.45	22	893	63.96	19			1.65	24	846	60.61	19	1.70	27	740	53.05			19	1.95	30	667	47.79	19	2.20			34	585	41.92	19	2.50	39	516			37.00	18	2.80	44	458	32.80	18			3.20	41	482	34.55	18	2.90	GR87 GRF87			4P	45	440	31.53			17			3.30	51	390	27.96			17	3.70	61	328	23.51	16	4.40			66	301	21.60	16	4.70																																																																																																																																																																																																																																																																																																																																																																																																																																																																
17	1148	82.27	18	1.25			20	1017	72.88	19	1.45	22	893			63.96	19	1.65	24	846	60.61	19			1.70	27	740	53.05	19	1.95	30	667	47.79			19	2.20	34	585	41.92	19	2.50			39	516	37.00	18	2.80	44	458			32.80	18	3.20	41	482	34.55	18			2.90	GR87 GRF87	4P	45	440	31.53					17	3.30	51			390	27.96	17	3.70	61	328	23.51			16	4.40	66	301	21.60	16	4.70																																																																																																																																																																																																																																																																																																																																																																																																																																																																							
20	1017	72.88	19	1.45			22	893	63.96	19	1.65	24	846			60.61	19	1.70	27	740	53.05	19			1.95	30	667	47.79	19	2.20	34	585	41.92			19	2.50	39	516	37.00	18	2.80			44	458	32.80	18	3.20	41	482			34.55	18	2.90	GR87 GRF87	4P	45	440			31.53			17	3.30	51		390	27.96		17	3.70	61			328	23.51	16	4.40	66	301	21.60			16	4.70																																																																																																																																																																																																																																																																																																																																																																																																																																																																												
22	893	63.96	19	1.65			24	846	60.61	19	1.70	27	740			53.05	19	1.95	30	667	47.79	19			2.20	34	585	41.92	19	2.50	39	516	37.00			18	2.80	44	458	32.80	18	3.20			41	482	34.55	18	2.90	GR87 GRF87	4P			45	440	31.53			17	3.30	51	390	27.96			17	3.70	61		328	23.51		16	4.40	66			301	21.60	16	4.70																																																																																																																																																																																																																																																																																																																																																																																																																																																																																			
24	846	60.61	19	1.70			27	740	53.05	19	1.95	30	667			47.79	19	2.20	34	585	41.92	19			2.50	39	516	37.00	18	2.80	44	458	32.80			18	3.20	41	482	34.55	18	2.90			GR87 GRF87	4P	45	440	31.53			17	3.30	51	390	27.96			17	3.70	61	328	23.51			16	4.40	66		301	21.60		16	4.70																																																																																																																																																																																																																																																																																																																																																																																																																																																																																										
27	740	53.05	19	1.95			30	667	47.79	19	2.20	34	585			41.92	19	2.50	39	516	37.00	18			2.80	44	458	32.80	18	3.20	41	482	34.55			18	2.90	GR87 GRF87	4P	45	440	31.53	17	3.30			51	390	27.96			17	3.70	61	328	23.51			16	4.40	66	301	21.60			16	4.70																																																																																																																																																																																																																																																																																																																																																																																																																																																																																																	
30	667	47.79	19	2.20			34	585	41.92	19	2.50	39	516			37.00	18	2.80	44	458	32.80	18			3.20	41	482	34.55	18	2.90	GR87 GRF87	4P	45	440	31.53	17	3.30			51	390	27.96	17	3.70			61	328	23.51			16	4.40	66	301	21.60			16	4.70																																																																																																																																																																																																																																																																																																																																																																																																																																																																																																								
34	585	41.92	19	2.50			39	516	37.00	18	2.80	44	458			32.80	18	3.20	41	482	34.55	18	2.90	GR87 GRF87	4P	45	440	31.53	17	3.30			51	390	27.96	17	3.70			61	328	23.51	16	4.40			66	301	21.60			16	4.70																																																																																																																																																																																																																																																																																																																																																																																																																																																																																																															
39	516	37.00	18	2.80			44	458	32.80	18	3.20	41	482	34.55	18	2.90	GR87 GRF87	4P	45	440	31.53	17	3.30			51	390	27.96	17	3.70			61	328	23.51	16	4.40			66	301	21.60	16	4.70																																																																																																																																																																																																																																																																																																																																																																																																																																																																																																																								
44	458	32.80	18	3.20	41	482	34.55	18	2.90	GR87 GRF87	4P	45	440	31.53	17	3.30			51	390	27.96	17	3.70			61	328	23.51	16	4.40			66	301	21.60	16	4.70																																																																																																																																																																																																																																																																																																																																																																																																																																																																																																																															
41	482	34.55	18	2.90	GR87 GRF87	4P	45	440	31.53			17	3.30	51	390	27.96			17	3.70	61	328	23.51			16	4.40	66	301	21.60			16	4.70																																																																																																																																																																																																																																																																																																																																																																																																																																																																																																																																		
45	440	31.53	17	3.30			51	390	27.96			17	3.70	61	328	23.51			16	4.40	66	301	21.60			16	4.70																																																																																																																																																																																																																																																																																																																																																																																																																																																																																																																																									
51	390	27.96	17	3.70			61	328	23.51			16	4.40	66	301	21.60			16	4.70																																																																																																																																																																																																																																																																																																																																																																																																																																																																																																																																																
61	328	23.51	16	4.40			66	301	21.60			16	4.70																																																																																																																																																																																																																																																																																																																																																																																																																																																																																																																																																							
66	301	21.60	16	4.70																																																																																																																																																																																																																																																																																																																																																																																																																																																																																																																																																																

选型参数表
(恒功率)

Selection Table
(Constant Power)

n_a [r/min]	Ma [Nm]	i	F_{ra} [kN]	f_B	机型号 Type size	极数 Pole	n_a [r/min]	Ma [Nm]	i	F_{ra} [kN]	f_B	机型号 Type size	极数 Pole																																																																																																																																																																																																																																																																																																																																																																																																																																																																																																																																																																																													
2.2kW							3.0kW																																																																																																																																																																																																																																																																																																																																																																																																																																																																																																																																																																																																			
379	54	3.77	3.1	1.55	GRX67 GRXF67	4P	2.7	9439	522	35	0.85	GR137R77	4P																																																																																																																																																																																																																																																																																																																																																																																																																																																																																																																																																																																													
447	46	3.20	3.0	2.10			495	41	2.89	2.9	2.50	563		36	2.54	2.8	3.10	596	34	2.40	2.7	3.40	701	29	2.04	2.6	4.40	769	27	1.86	2.5	4.60	888	23	1.61	2.4	4.80	1021	20	1.40	2.3	5.00	455	45	3.14	2.3	1.40	542	38	2.64	2.2	1.75	603	34	2.37	2.2	1.95	701	29	2.04	2.1	2.30	745	28	1.92	2.0	2.40	867	24	1.65	2.0	2.80	966	21	1.48	1.9	3.10	1100	19	1.30	1.8	3.20	0.65	44277	2210	128	0.85	0.73	39309	1962	128	0.95	0.80	35622	1778	128	1.05	0.89	32256	1610	128	1.15	1.0	28610	1428	128	1.30	1.1	25865	1291	128	1.40	1.2	22960	1146	128	1.60	1.4	20335	1015	128	1.80	1.6	18312	914	128	2.00	1.8	16248	811	128	2.25	1.9	14706	734	128	2.50	2.2	13283	663	128	2.75	0.63	45720	2282	128	0.80	0.70	41112	2052	128	0.90	0.78	36784	1836	128	1.00	1.0	28590	1427	128	1.30	1.2	24503	1223	128	1.50	1.2	23000	1148	128	1.60	1.5	19714	984	128	1.85	1.8	15828	790	128	2.30	2.0	14145	706	128	2.60	1.3	20378	1127	114	0.90	1.4	18226	1008	114	1.00	1.6	15839	876	114	1.15	1.9	13959	772	114	1.30	2.2	11898	658	114	1.50	2.8	9258	512	114	1.95	2.7	9637	533	65	1.35	3.1	8390	464	66	1.55	3.3	7721	427	67	1.65	3.9	6564	363	68	1.95	4.5	5786	320	69	2.25	5.1	5081	281	69	2.55	1.6	15803	874	25	0.80	1.9	13941	771	52	0.95	2.1	12350	683	60	1.05	2.3	11012	609	62	1.15	2.6	9927	549	64	1.30	2.9	8914	493	46	0.90	3.3	7775	430	51	1.00	3.7	6943	384	52	1.15	4.4	5877	325	54	1.35	4.9	5298	293	55	1.50	5.6	4629	256	56	1.70	6.4	4014	222	56	2.00	3.2	8547	222.96	48	0.90	3.8	7236	188.75	52	1.05	4.1	6696	174.68	53	1.15	4.5	6002	156.56	54	1.30	5.0	5419	141.35	55	1.40	5.5	4921	128.38	55	1.55	6.2	4366	113.90	56	1.75	6.9	3962	103.36	56	1.95	8.0	3406	88.85	57	2.30	4.3	6321	222.96	53	1.20	5.1	5351	188.75	55	1.40	5.5	4952	174.68	55	1.50	6.1	4439	156.56	56	1.70	6.8	4007	141.35	56	1.85	7.5	3640	128.38	57	2.00	8.4	3229	113.90	57	2.30	9.3	2930	103.36	57	2.50	6.0	4499	158.68	21	0.90	6.8	4021	141.83	28	1.00	7.5	3620	127.68	30	1.10	6.2	4377	229.95	25	0.90	7.0	3867	203.16	29	1.05	8.3	3280	172.34	31	1.20	9.0	3020	158.68	32	1.30	10	2699	141.83	34	1.50	11	2430	127.68	34	1.65	12	2201	115.63	34	1.80	14	1951	102.53	35	2.00	15	1764	92.70	35	2.30	18	1495	78.57	34	2.70	20	1387	72.88	33	2.90	9.5	2870	150.78	15	0.95	11	2412	126.75	22	1.15	12	2217	116.48	23	1.25	14	1969	103.44	25	1.40	15	1760	92.48	25	1.60	17	1583	83.15	26	1.75	20	1374	72.17	26	2.00	22	1241	65.21	26	2.20	24	1140	59.92	25	2.50	27	1013	53.21	24	2.80	30	906	47.58	24	3.10	33	814	42.78	23	3.40	39	707	37.13	22	4.00	43	633	33.25	21	4.20	15	1785	93.79	3.4	0.80	17	1566	82.27	15	0.90	20	1387	72.88	17	1.05	22	1217	63.96	17	1.20	24	1154	60.61	18	1.25	27	1010	53.05	19	1.45	30	910	47.79	19	1.60	34	798	41.92	18	1.80	39	704	37.00	18	2.10	44	624	32.80	17	2.30	51	533	28.00	17
495	41	2.89	2.9	2.50			563	36	2.54	2.8	3.10	596	34	2.40	2.7	3.40	701	29	2.04	2.6	4.40	769	27	1.86	2.5	4.60	888	23	1.61	2.4	4.80	1021	20	1.40	2.3	5.00	455	45	3.14	2.3	1.40	542	38	2.64	2.2	1.75	603	34	2.37	2.2	1.95	701	29	2.04	2.1	2.30	745	28	1.92	2.0	2.40	867	24	1.65	2.0	2.80	966	21	1.48	1.9	3.10	1100	19	1.30	1.8	3.20	0.65	44277	2210	128	0.85	0.73	39309	1962	128	0.95	0.80	35622	1778	128	1.05	0.89	32256	1610	128	1.15	1.0	28610	1428	128	1.30	1.1	25865	1291	128	1.40	1.2	22960	1146	128	1.60	1.4	20335	1015	128	1.80	1.6	18312	914	128	2.00	1.8	16248	811	128	2.25	1.9	14706	734	128	2.50	2.2	13283	663	128	2.75	0.63	45720	2282	128	0.80	0.70	41112	2052	128	0.90	0.78	36784	1836	128	1.00	1.0	28590	1427	128	1.30	1.2	24503	1223	128	1.50	1.2	23000	1148	128	1.60	1.5	19714	984	128	1.85	1.8	15828	790	128	2.30	2.0	14145	706	128	2.60	1.3	20378	1127	114	0.90	1.4	18226	1008	114	1.00	1.6	15839	876	114	1.15	1.9	13959	772	114	1.30	2.2	11898	658	114	1.50	2.8	9258	512	114	1.95	2.7	9637	533	65	1.35	3.1	8390	464	66	1.55	3.3	7721	427	67	1.65	3.9	6564	363	68	1.95	4.5	5786	320	69	2.25	5.1	5081	281	69	2.55	1.6	15803	874	25	0.80	1.9	13941	771	52	0.95	2.1	12350	683	60	1.05	2.3	11012	609	62	1.15	2.6	9927	549	64	1.30	2.9	8914	493	46	0.90	3.3	7775	430	51	1.00	3.7	6943	384	52	1.15	4.4	5877	325	54	1.35	4.9	5298	293	55	1.50	5.6	4629	256	56	1.70	6.4	4014	222	56	2.00	3.2	8547	222.96	48	0.90	3.8	7236	188.75	52	1.05	4.1	6696	174.68	53	1.15	4.5	6002	156.56	54	1.30	5.0	5419	141.35	55	1.40	5.5	4921	128.38	55	1.55	6.2	4366	113.90	56	1.75	6.9	3962	103.36	56	1.95	8.0	3406	88.85	57	2.30	4.3	6321	222.96	53	1.20	5.1	5351	188.75	55	1.40	5.5	4952	174.68	55	1.50	6.1	4439	156.56	56	1.70	6.8	4007	141.35	56	1.85	7.5	3640	128.38	57	2.00	8.4	3229	113.90	57	2.30	9.3	2930	103.36	57	2.50	6.0	4499	158.68	21	0.90	6.8	4021	141.83	28	1.00	7.5	3620	127.68	30	1.10	6.2	4377	229.95	25	0.90	7.0	3867	203.16	29	1.05	8.3	3280	172.34	31	1.20	9.0	3020	158.68	32	1.30	10	2699	141.83	34	1.50	11	2430	127.68	34	1.65	12	2201	115.63	34	1.80	14	1951	102.53	35	2.00	15	1764	92.70	35	2.30	18	1495	78.57	34	2.70	20	1387	72.88	33	2.90	9.5	2870	150.78	15	0.95	11	2412	126.75	22	1.15	12	2217	116.48	23	1.25	14	1969	103.44	25	1.40	15	1760	92.48	25	1.60	17	1583	83.15	26	1.75	20	1374	72.17	26	2.00	22	1241	65.21	26	2.20	24	1140	59.92	25	2.50	27	1013	53.21	24	2.80	30	906	47.58	24	3.10	33	814	42.78	23	3.40	39	707	37.13	22	4.00	43	633	33.25	21	4.20	15	1785	93.79	3.4	0.80	17	1566	82.27	15	0.90	20	1387	72.88	17	1.05	22	1217	63.96	17	1.20	24	1154	60.61	18	1.25	27	1010	53.05	19	1.45	30	910	47.79	19	1.60	34	798	41.92	18	1.80	39	704	37.00	18	2.10	44	624	32.80	17	2.30	51	533	28.00	17	2.60					
563	36	2.54	2.8	3.10			596	34	2.40	2.7	3.40	701	29	2.04	2.6	4.40	769	27	1.86	2.5	4.60	888	23	1.61	2.4	4.80	1021	20	1.40	2.3	5.00	455	45	3.14	2.3	1.40	542	38	2.64	2.2	1.75	603	34	2.37	2.2	1.95	701	29	2.04	2.1	2.30	745	28	1.92	2.0	2.40	867	24	1.65	2.0	2.80	966	21	1.48	1.9	3.10	1100	19	1.30	1.8	3.20	0.65	44277	2210	128	0.85	0.73	39309	1962	128	0.95	0.80	35622	1778	128	1.05	0.89	32256	1610	128	1.15	1.0	28610	1428	128	1.30	1.1	25865	1291	128	1.40	1.2	22960	1146	128	1.60	1.4	20335	1015	128	1.80	1.6	18312	914	128	2.00	1.8	16248	811	128	2.25	1.9	14706	734	128	2.50	2.2	13283	663	128	2.75	0.63	45720	2282	128	0.80	0.70	41112	2052	128	0.90	0.78	36784	1836	128	1.00	1.0	28590	1427	128	1.30	1.2	24503	1223	128	1.50	1.2	23000	1148	128	1.60	1.5	19714	984	128	1.85	1.8	15828	790	128	2.30	2.0	14145	706	128	2.60	1.3	20378	1127	114	0.90	1.4	18226	1008	114	1.00	1.6	15839	876	114	1.15	1.9	13959	772	114	1.30	2.2	11898	658	114	1.50	2.8	9258	512	114	1.95	2.7	9637	533	65	1.35	3.1	8390	464	66	1.55	3.3	7721	427	67	1.65	3.9	6564	363	68	1.95	4.5	5786	320	69	2.25	5.1	5081	281	69	2.55	1.6	15803	874	25	0.80	1.9	13941	771	52	0.95	2.1	12350	683	60	1.05	2.3	11012	609	62	1.15	2.6	9927	549	64	1.30	2.9	8914	493	46	0.90	3.3	7775	430	51	1.00	3.7	6943	384	52	1.15	4.4	5877	325	54	1.35	4.9	5298	293	55	1.50	5.6	4629	256	56	1.70	6.4	4014	222	56	2.00	3.2	8547	222.96	48	0.90	3.8	7236	188.75	52	1.05	4.1	6696	174.68	53	1.15	4.5	6002	156.56	54	1.30	5.0	5419	141.35	55	1.40	5.5	4921	128.38	55	1.55	6.2	4366	113.90	56	1.75	6.9	3962	103.36	56	1.95	8.0	3406	88.85	57	2.30	4.3	6321	222.96	53	1.20	5.1	5351	188.75	55	1.40	5.5	4952	174.68	55	1.50	6.1	4439	156.56	56	1.70	6.8	4007	141.35	56	1.85	7.5	3640	128.38	57	2.00	8.4	3229	113.90	57	2.30	9.3	2930	103.36	57	2.50	6.0	4499	158.68	21	0.90	6.8	4021	141.83	28	1.00	7.5	3620	127.68	30	1.10	6.2	4377	229.95	25	0.90	7.0	3867	203.16	29	1.05	8.3	3280	172.34	31	1.20	9.0	3020	158.68	32	1.30	10	2699	141.83	34	1.50	11	2430	127.68	34	1.65	12	2201	115.63	34	1.80	14	1951	102.53	35	2.00	15	1764	92.70	35	2.30	18	1495	78.57	34	2.70	20	1387	72.88	33	2.90	9.5	2870	150.78	15	0.95	11	2412	126.75	22	1.15	12	2217	116.48	23	1.25	14	1969	103.44	25	1.40	15	1760	92.48	25	1.60	17	1583	83.15	26	1.75	20	1374	72.17	26	2.00	22	1241	65.21	26	2.20	24	1140	59.92	25	2.50	27	1013	53.21	24	2.80	30	906	47.58	24	3.10	33	814	42.78	23	3.40	39	707	37.13	22	4.00	43	633	33.25	21	4.20	15	1785	93.79	3.4	0.80	17	1566	82.27	15	0.90	20	1387	72.88	17	1.05	22	1217	63.96	17	1.20	24	1154	60.61	18	1.25	27	1010	53.05	19	1.45	30	910	47.79	19	1.60	34	798	41.92	18	1.80	39	704	37.00	18	2.10	44	624	32.80	17	2.30	51	533	28.00	17	2.60										
596	34	2.40	2.7	3.40			701	29	2.04	2.6	4.40	769	27	1.86	2.5	4.60	888	23	1.61	2.4	4.80	1021	20	1.40	2.3	5.00	455	45	3.14	2.3	1.40	542	38	2.64	2.2	1.75	603	34	2.37	2.2	1.95	701	29	2.04	2.1	2.30	745	28	1.92	2.0	2.40	867	24	1.65	2.0	2.80	966	21	1.48	1.9	3.10	1100	19	1.30	1.8	3.20	0.65	44277	2210	128	0.85	0.73	39309	1962	128	0.95	0.80	35622	1778	128	1.05	0.89	32256	1610	128	1.15	1.0	28610	1428	128	1.30	1.1	25865	1291	128	1.40	1.2	22960	1146	128	1.60	1.4	20335	1015	128	1.80	1.6	18312	914	128	2.00	1.8	16248	811	128	2.25	1.9	14706	734	128	2.50	2.2	13283	663	128	2.75	0.63	45720	2282	128	0.80	0.70	41112	2052	128	0.90	0.78	36784	1836	128	1.00	1.0	28590	1427	128	1.30	1.2	24503	1223	128	1.50	1.2	23000	1148	128	1.60	1.5	19714	984	128	1.85	1.8	15828	790	128	2.30	2.0	14145	706	128	2.60	1.3	20378	1127	114	0.90	1.4	18226	1008	114	1.00	1.6	15839	876	114	1.15	1.9	13959	772	114	1.30	2.2	11898	658	114	1.50	2.8	9258	512	114	1.95	2.7	9637	533	65	1.35	3.1	8390	464	66	1.55	3.3	7721	427	67	1.65	3.9	6564	363	68	1.95	4.5	5786	320	69	2.25	5.1	5081	281	69	2.55	1.6	15803	874	25	0.80	1.9	13941	771	52	0.95	2.1	12350	683	60	1.05	2.3	11012	609	62	1.15	2.6	9927	549	64	1.30	2.9	8914	493	46	0.90	3.3	7775	430	51	1.00	3.7	6943	384	52	1.15	4.4	5877	325	54	1.35	4.9	5298	293	55	1.50	5.6	4629	256	56	1.70	6.4	4014	222	56	2.00	3.2	8547	222.96	48	0.90	3.8	7236	188.75	52	1.05	4.1	6696	174.68	53	1.15	4.5	6002	156.56	54	1.30	5.0	5419	141.35	55	1.40	5.5	4921	128.38	55	1.55	6.2	4366	113.90	56	1.75	6.9	3962	103.36	56	1.95	8.0	3406	88.85	57	2.30	4.3	6321	222.96	53	1.20	5.1	5351	188.75	55	1.40	5.5	4952	174.68	55	1.50	6.1	4439	156.56	56	1.70	6.8	4007	141.35	56	1.85	7.5	3640	128.38	57	2.00	8.4	3229	113.90	57	2.30	9.3	2930	103.36	57	2.50	6.0	4499	158.68	21	0.90	6.8	4021	141.83	28	1.00	7.5	3620	127.68	30	1.10	6.2	4377	229.95	25	0.90	7.0	3867	203.16	29	1.05	8.3	3280	172.34	31	1.20	9.0	3020	158.68	32	1.30	10	2699	141.83	34	1.50	11	2430	127.68	34	1.65	12	2201	115.63	34	1.80	14	1951	102.53	35	2.00	15	1764	92.70	35	2.30	18	1495	78.57	34	2.70	20	1387	72.88	33	2.90	9.5	2870	150.78	15	0.95	11	2412	126.75	22	1.15	12	2217	116.48	23	1.25	14	1969	103.44	25	1.40	15	1760	92.48	25	1.60	17	1583	83.15	26	1.75	20	1374	72.17	26	2.00	22	1241	65.21	26	2.20	24	1140	59.92	25	2.50	27	1013	53.21	24	2.80	30	906	47.58	24	3.10	33	814	42.78	23	3.40	39	707	37.13	22	4.00	43	633	33.25	21	4.20	15	1785	93.79	3.4	0.80	17	1566	82.27	15	0.90	20	1387	72.88	17	1.05	22	1217	63.96	17	1.20	24	1154	60.61	18	1.25	27	1010	53.05	19	1.45	30	910	47.79	19	1.60	34	798	41.92	18	1.80	39	704	37.00	18	2.10	44	624	32.80	17	2.30	51	533	28.00	17	2.60															
701	29	2.04	2.6	4.40			769	27	1.86	2.5	4.60	888	23	1.61	2.4	4.80	1021	20	1.40	2.3	5.00	455	45	3.14	2.3	1.40	542	38	2.64	2.2	1.75	603	34	2.37	2.2	1.95	701	29	2.04	2.1	2.30	745	28	1.92	2.0	2.40	867	24	1.65	2.0	2.80	966	21	1.48	1.9	3.10	1100	19	1.30	1.8	3.20	0.65	44277	2210	128	0.85	0.73	39309	1962	128	0.95	0.80	35622	1778	128	1.05	0.89	32256	1610	128	1.15	1.0	28610	1428	128	1.30	1.1	25865	1291	128	1.40	1.2	22960	1146	128	1.60	1.4	20335	1015	128	1.80	1.6	18312	914	128	2.00	1.8	16248	811	128	2.25	1.9	14706	734	128	2.50	2.2	13283	663	128	2.75	0.63	45720	2282	128	0.80	0.70	41112	2052	128	0.90	0.78	36784	1836	128	1.00	1.0	28590	1427	128	1.30	1.2	24503	1223	128	1.50	1.2	23000	1148	128	1.60	1.5	19714	984	128	1.85	1.8	15828	790	128	2.30	2.0	14145	706	128	2.60	1.3	20378	1127	114	0.90	1.4	18226	1008	114	1.00	1.6	15839	876	114	1.15	1.9	13959	772	114	1.30	2.2	11898	658	114	1.50	2.8	9258	512	114	1.95	2.7	9637	533	65	1.35	3.1	8390	464	66	1.55	3.3	7721	427	67	1.65	3.9	6564	363	68	1.95	4.5	5786	320	69	2.25	5.1	5081	281	69	2.55	1.6	15803	874	25	0.80	1.9	13941	771	52	0.95	2.1	12350	683	60	1.05	2.3	11012	609	62	1.15	2.6	9927	549	64	1.30	2.9	8914	493	46	0.90	3.3	7775	430	51	1.00	3.7	6943	384	52	1.15	4.4	5877	325	54	1.35	4.9	5298	293	55	1.50	5.6	4629	256	56	1.70	6.4	4014	222	56	2.00	3.2	8547	222.96	48	0.90	3.8	7236	188.75	52	1.05	4.1	6696	174.68	53	1.15	4.5	6002	156.56	54	1.30	5.0	5419	141.35	55	1.40	5.5	4921	128.38	55	1.55	6.2	4366	113.90	56	1.75	6.9	3962	103.36	56	1.95	8.0	3406	88.85	57	2.30	4.3	6321	222.96	53	1.20	5.1	5351	188.75	55	1.40	5.5	4952	174.68	55	1.50	6.1	4439	156.56	56	1.70	6.8	4007	141.35	56	1.85	7.5	3640	128.38	57	2.00	8.4	3229	113.90	57	2.30	9.3	2930	103.36	57	2.50	6.0	4499	158.68	21	0.90	6.8	4021	141.83	28	1.00	7.5	3620	127.68	30	1.10	6.2	4377	229.95	25	0.90	7.0	3867	203.16	29	1.05	8.3	3280	172.34	31	1.20	9.0	3020	158.68	32	1.30	10	2699	141.83	34	1.50	11	2430	127.68	34	1.65	12	2201	115.63	34	1.80	14	1951	102.53	35	2.00	15	1764	92.70	35	2.30	18	1495	78.57	34	2.70	20	1387	72.88	33	2.90	9.5	2870	150.78	15	0.95	11	2412	126.75	22	1.15	12	2217	116.48	23	1.25	14	1969	103.44	25	1.40	15	1760	92.48	25	1.60	17	1583	83.15	26	1.75	20	1374	72.17	26	2.00	22	1241	65.21	26	2.20	24	1140	59.92	25	2.50	27	1013	53.21	24	2.80	30	906	47.58	24	3.10	33	814	42.78	23	3.40	39	707	37.13	22	4.00	43	633	33.25	21	4.20	15	1785	93.79	3.4	0.80	17	1566	82.27	15	0.90	20	1387	72.88	17	1.05	22	1217	63.96	17	1.20	24	1154	60.61	18	1.25	27	1010	53.05	19	1.45	30	910	47.79	19	1.60	34	798	41.92	18	1.80	39	704	37.00	18	2.10	44	624	32.80	17	2.30	51	533	28.00	17	2.60																				
769	27	1.86	2.5	4.60			888	23	1.61	2.4	4.80	1021	20	1.40	2.3	5.00	455	45	3.14	2.3	1.40	542	38	2.64	2.2	1.75	603	34	2.37	2.2	1.95	701	29	2.04	2.1	2.30	745	28	1.92	2.0	2.40	867	24	1.65	2.0	2.80	966	21	1.48	1.9	3.10	1100	19	1.30	1.8	3.20	0.65	44277	2210	128	0.85	0.73	39309	1962	128	0.95	0.80	35622	1778	128	1.05	0.89	32256	1610	128	1.15	1.0	28610	1428	128	1.30	1.1	25865	1291	128	1.40	1.2	22960	1146	128	1.60	1.4	20335	1015	128	1.80	1.6	18312	914	128	2.00	1.8	16248	811	128	2.25	1.9	14706	734	128	2.50	2.2	13283	663	128	2.75	0.63	45720	2282	128	0.80	0.70	41112	2052	128	0.90	0.78	36784	1836	128	1.00	1.0	28590	1427	128	1.30	1.2	24503	1223	128	1.50	1.2	23000	1148	128	1.60	1.5	19714	984	128	1.85	1.8	15828	790	128	2.30	2.0	14145	706	128	2.60	1.3	20378	1127	114	0.90	1.4	18226	1008	114	1.00	1.6	15839	876	114	1.15	1.9	13959	772	114	1.30	2.2	11898	658	114	1.50	2.8	9258	512	114	1.95	2.7	9637	533	65	1.35	3.1	8390	464	66	1.55	3.3	7721	427	67	1.65	3.9	6564	363	68	1.95	4.5	5786	320	69	2.25	5.1	5081	281	69	2.55	1.6	15803	874	25	0.80	1.9	13941	771	52	0.95	2.1	12350	683	60	1.05	2.3	11012	609	62	1.15	2.6	9927	549	64	1.30	2.9	8914	493	46	0.90	3.3	7775	430	51	1.00	3.7	6943	384	52	1.15	4.4	5877	325	54	1.35	4.9	5298	293	55	1.50	5.6	4629	256	56	1.70	6.4	4014	222	56	2.00	3.2	8547	222.96	48	0.90	3.8	7236	188.75	52	1.05	4.1	6696	174.68	53	1.15	4.5	6002	156.56	54	1.30	5.0	5419	141.35	55	1.40	5.5	4921	128.38	55	1.55	6.2	4366	113.90	56	1.75	6.9	3962	103.36	56	1.95	8.0	3406	88.85	57	2.30	4.3	6321	222.96	53	1.20	5.1	5351	188.75	55	1.40	5.5	4952	174.68	55	1.50	6.1	4439	156.56	56	1.70	6.8	4007	141.35	56	1.85	7.5	3640	128.38	57	2.00	8.4	3229	113.90	57	2.30	9.3	2930	103.36	57	2.50	6.0	4499	158.68	21	0.90	6.8	4021	141.83	28	1.00	7.5	3620	127.68	30	1.10	6.2	4377	229.95	25	0.90	7.0	3867	203.16	29	1.05	8.3	3280	172.34	31	1.20	9.0	3020	158.68	32	1.30	10	2699	141.83	34	1.50	11	2430	127.68	34	1.65	12	2201	115.63	34	1.80	14	1951	102.53	35	2.00	15	1764	92.70	35	2.30	18	1495	78.57	34	2.70	20	1387	72.88	33	2.90	9.5	2870	150.78	15	0.95	11	2412	126.75	22	1.15	12	2217	116.48	23	1.25	14	1969	103.44	25	1.40	15	1760	92.48	25	1.60	17	1583	83.15	26	1.75	20	1374	72.17	26	2.00	22	1241	65.21	26	2.20	24	1140	59.92	25	2.50	27	1013	53.21	24	2.80	30	906	47.58	24	3.10	33	814	42.78	23	3.40	39	707	37.13	22	4.00	43	633	33.25	21	4.20	15	1785	93.79	3.4	0.80	17	1566	82.27	15	0.90	20	1387	72.88	17	1.05	22	1217	63.96	17	1.20	24	1154	60.61	18	1.25	27	1010	53.05	19	1.45	30	910	47.79	19	1.60	34	798	41.92	18	1.80	39	704	37.00	18	2.10	44	624	32.80	17	2.30	51	533	28.00	17	2.60																									
888	23	1.61	2.4	4.80			1021	20	1.40	2.3	5.00	455	45	3.14	2.3	1.40	542	38	2.64	2.2	1.75	603	34	2.37	2.2	1.95	701	29	2.04	2.1	2.30	745	28	1.92	2.0	2.40	867	24	1.65	2.0	2.80	966	21	1.48	1.9	3.10	1100	19	1.30	1.8	3.20	0.65	44277	2210	128	0.85	0.73	39309	1962	128	0.95	0.80	35622	1778	128	1.05	0.89	32256	1610	128	1.15	1.0	28610	1428	128	1.30	1.1	25865	1291	128	1.40	1.2	22960	1146	128	1.60	1.4	20335	1015	128	1.80	1.6	18312	914	128	2.00	1.8	16248	811	128	2.25	1.9	14706	734	128	2.50	2.2	13283	663	128	2.75	0.63	45720	2282	128	0.80	0.70	41112	2052	128	0.90	0.78	36784	1836	128	1.00	1.0	28590	1427	128	1.30	1.2	24503	1223	128	1.50	1.2	23000	1148	128	1.60	1.5	19714	984	128	1.85	1.8	15828	790	128	2.30	2.0	14145	706	128	2.60	1.3	20378	1127	114	0.90	1.4	18226	1008	114	1.00	1.6	15839	876	114	1.15	1.9	13959	772	114	1.30	2.2	11898	658	114	1.50	2.8	9258	512	114	1.95	2.7	9637	533	65	1.35	3.1	8390	464	66	1.55	3.3	7721	427	67	1.65	3.9	6564	363	68	1.95	4.5	5786	320	69	2.25	5.1	5081	281	69	2.55	1.6	15803	874	25	0.80	1.9	13941	771	52	0.95	2.1	12350	683	60	1.05	2.3	11012	609	62	1.15	2.6	9927	549	64	1.30	2.9	8914	493	46	0.90	3.3	7775	430	51	1.00	3.7	6943	384	52	1.15	4.4	5877	325	54	1.35	4.9	5298	293	55	1.50	5.6	4629	256	56	1.70	6.4	4014	222	56	2.00	3.2	8547	222.96	48	0.90	3.8	7236	188.75	52	1.05	4.1	6696	174.68	53	1.15	4.5	6002	156.56	54	1.30	5.0	5419	141.35	55	1.40	5.5	4921	128.38	55	1.55	6.2	4366	113.90	56	1.75	6.9	3962	103.36	56	1.95	8.0	3406	88.85	57	2.30	4.3	6321	222.96	53	1.20	5.1	5351	188.75	55	1.40	5.5	4952	174.68	55	1.50	6.1	4439	156.56	56	1.70	6.8	4007	141.35	56	1.85	7.5	3640	128.38	57	2.00	8.4	3229	113.90	57	2.30	9.3	2930	103.36	57	2.50	6.0	4499	158.68	21	0.90	6.8	4021	141.83	28	1.00	7.5	3620	127.68	30	1.10	6.2	4377	229.95	25	0.90	7.0	3867	203.16	29	1.05	8.3	3280	172.34	31	1.20	9.0	3020	158.68	32	1.30	10	2699	141.83	34	1.50	11	2430	127.68	34	1.65	12	2201	115.63	34	1.80	14	1951	102.53	35	2.00	15	1764	92.70	35	2.30	18	1495	78.57	34	2.70	20	1387	72.88	33	2.90	9.5	2870	150.78	15	0.95	11	2412	126.75	22	1.15	12	2217	116.48	23	1.25	14	1969	103.44	25	1.40	15	1760	92.48	25	1.60	17	1583	83.15	26	1.75	20	1374	72.17	26	2.00	22	1241	65.21	26	2.20	24	1140	59.92	25	2.50	27	1013	53.21	24	2.80	30	906	47.58	24	3.10	33	814	42.78	23	3.40	39	707	37.13	22	4.00	43	633	33.25	21	4.20	15	1785	93.79	3.4	0.80	17	1566	82.27	15	0.90	20	1387	72.88	17	1.05	22	1217	63.96	17	1.20	24	1154	60.61	18	1.25	27	1010	53.05	19	1.45	30	910	47.79	19	1.60	34	798	41.92	18	1.80	39	704	37.00	18	2.10	44	624	32.80	17	2.30	51	533	28.00	17	2.60																														
1021	20	1.40	2.3	5.00			455	45	3.14	2.3	1.40	542	38	2.64	2.2	1.75	603	34	2.37	2.2	1.95	701	29	2.04	2.1	2.30	745	28	1.92	2.0	2.40	867	24	1.65	2.0	2.80	966	21	1.48	1.9	3.10	1100	19	1.30	1.8	3.20	0.65	44277	2210	128	0.85	0.73	39309	1962	128	0.95	0.80	35622	1778	128	1.05	0.89	32256	1610	128	1.15	1.0	28610	1428	128	1.30	1.1	25865	1291	128	1.40	1.2	22960	1146	128	1.60	1.4	20335	1015	128	1.80	1.6	18312	914	128	2.00	1.8	16248	811	128	2.25	1.9	14706	734	128	2.50	2.2	13283	663	128	2.75	0.63	45720	2282	128	0.80	0.70	41112	2052	128	0.90	0.78	36784	1836	128	1.00	1.0	28590	1427	128	1.30	1.2	24503	1223	128	1.50	1.2	23000	1148	128	1.60	1.5	19714	984	128	1.85	1.8	15828	790	128	2.30	2.0	14145	706	128	2.60	1.3	20378	1127	114	0.90	1.4	18226	1008	114	1.00	1.6	15839	876	114	1.15	1.9	13959	772	114	1.30	2.2	11898	658	114	1.50	2.8	9258	512	114	1.95	2.7	9637	533	65	1.35	3.1	8390	464	66	1.55	3.3	7721	427	67	1.65	3.9	6564	363	68	1.95	4.5	5786	320	69	2.25	5.1	5081	281	69	2.55	1.6	15803	874	25	0.80	1.9	13941	771	52	0.95	2.1	12350	683	60	1.05	2.3	11012	609	62	1.15	2.6	9927	549	64	1.30	2.9	8914	493	46	0.90	3.3	7775	430	51	1.00	3.7	6943	384	52	1.15	4.4	5877	325	54	1.35	4.9	5298	293	55	1.50	5.6	4629	256	56	1.70	6.4	4014	222	56	2.00	3.2	8547	222.96	48	0.90	3.8	7236	188.75	52	1.05	4.1	6696	174.68	53	1.15	4.5	6002	156.56	54	1.30	5.0	5419	141.35	55	1.40	5.5	4921	128.38	55	1.55	6.2	4366	113.90	56	1.75	6.9	3962	103.36	56	1.95	8.0	3406	88.85	57	2.30	4.3	6321	222.96	53	1.20	5.1	5351	188.75	55	1.40	5.5	4952	174.68	55	1.50	6.1	4439	156.56	56	1.70	6.8	4007	141.35	56	1.85	7.5	3640	128.38	57	2.00	8.4	3229	113.90	57	2.30	9.3	2930	103.36	57	2.50	6.0	4499	158.68	21	0.90	6.8	4021	141.83	28	1.00	7.5	3620	127.68	30	1.10	6.2	4377	229.95	25	0.90	7.0	3867	203.16	29	1.05	8.3	3280	172.34	31	1.20	9.0	3020	158.68	32	1.30	10	2699	141.83	34	1.50	11	2430	127.68	34	1.65	12	2201	115.63	34	1.80	14	1951	102.53	35	2.00	15	1764	92.70	35	2.30	18	1495	78.57	34	2.70	20	1387	72.88	33	2.90	9.5	2870	150.78	15	0.95	11	2412	126.75	22	1.15	12	2217	116.48	23	1.25	14	1969	103.44	25	1.40	15	1760	92.48	25	1.60	17	1583	83.15	26	1.75	20	1374	72.17	26	2.00	22	1241	65.21	26	2.20	24	1140	59.92	25	2.50	27	1013	53.21	24	2.80	30	906	47.58	24	3.10	33	814	42.78	23	3.40	39	707	37.13	22	4.00	43	633	33.25	21	4.20	15	1785	93.79	3.4	0.80	17	1566	82.27	15	0.90	20	1387	72.88	17	1.05	22	1217	63.96	17	1.20	24	1154	60.61	18	1.25	27	1010	53.05	19	1.45	30	910	47.79	19	1.60	34	798	41.92	18	1.80	39	704	37.00	18	2.10	44	624	32.80	17	2.30	51	533	28.00	17	2.60																																			
455	45	3.14	2.3	1.40			542	38	2.64	2.2	1.75	603	34	2.37	2.2	1.95	701	29	2.04	2.1	2.30	745	28	1.92	2.0	2.40	867	24	1.65	2.0	2.80	966	21	1.48	1.9	3.10	1100	19	1.30	1.8	3.20	0.65	44277	2210	128	0.85	0.73	39309	1962	128	0.95	0.80	35622	1778	128	1.05	0.89	32256	1610	128	1.15	1.0	28610	1428	128	1.30	1.1	25865	1291	128	1.40	1.2	22960	1146	128	1.60	1.4	20335	1015	128	1.80	1.6	18312	914	128	2.00	1.8	16248	811	128	2.25	1.9	14706	734	128	2.50	2.2	13283	663	128	2.75	0.63	45720	2282	128	0.80	0.70	41112	2052	128	0.90	0.78	36784	1836	128	1.00	1.0	28590	1427	128	1.30	1.2	24503	1223	128	1.50	1.2	23000	1148	128	1.60	1.5	19714	984	128	1.85	1.8	15828	790	128	2.30	2.0	14145	706	128	2.60	1.3	20378	1127	114	0.90	1.4	18226	1008	114	1.00	1.6	15839	876	114	1.15	1.9	13959	772	114	1.30	2.2	11898	658	114	1.50	2.8	9258	512	114	1.95	2.7	9637	533	65	1.35	3.1	8390	464	66	1.55	3.3	7721	427	67	1.65	3.9	6564	363	68	1.95	4.5	5786	320	69	2.25	5.1	5081	281	69	2.55	1.6	15803	874	25	0.80	1.9	13941	771	52	0.95	2.1	12350	683	60	1.05	2.3	11012	609	62	1.15	2.6	9927	549	64	1.30	2.9	8914	493	46	0.90	3.3	7775	430	51	1.00	3.7	6943	384	52	1.15	4.4	5877	325	54	1.35	4.9	5298	293	55	1.50	5.6	4629	256	56	1.70	6.4	4014	222	56	2.00	3.2	8547	222.96	48	0.90	3.8	7236	188.75	52	1.05	4.1	6696	174.68	53	1.15	4.5	6002	156.56	54	1.30	5.0	5419	141.35	55	1.40	5.5	4921	128.38	55	1.55	6.2	4366	113.90	56	1.75	6.9	3962	103.36	56	1.95	8.0	3406	88.85	57	2.30	4.3	6321	222.96	53	1.20	5.1	5351	188.75	55	1.40	5.5	4952	174.68	55	1.50	6.1	4439	156.56	56	1.70	6.8	4007	141.35	56	1.85	7.5	3640	128.38	57	2.00	8.4	3229	113.90	57	2.30	9.3	2930	103.36	57	2.50	6.0	4499	158.68	21	0.90	6.8	4021	141.83	28	1.00	7.5	3620	127.68	30	1.10	6.2	4377	229.95	25	0.90	7.0	3867	203.16	29	1.05	8.3	3280	172.34	31	1.20	9.0	3020	158.68	32	1.30	10	2699	141.83	34	1.50	11	2430	127.68	34	1.65	12	2201	115.63	34	1.80	14	1951	102.53	35	2.00	15	1764	92.70	35	2.30	18	1495	78.57	34	2.70	20	1387	72.88	33	2.90	9.5	2870	150.78	15	0.95	11	2412	126.75	22	1.15	12	2217	116.48	23	1.25	14	1969	103.44	25	1.40	15	1760	92.48	25	1.60	17	1583	83.15	26	1.75	20	1374	72.17	26	2.00	22	1241	65.21	26	2.20	24	1140	59.92	25	2.50	27	1013	53.21	24	2.80	30	906	47.58	24	3.10	33	814	42.78	23	3.40	39	707	37.13	22	4.00	43	633	33.25	21	4.20	15	1785	93.79	3.4	0.80	17	1566	82.27	15	0.90	20	1387	72.88	17	1.05	22	1217	63.96	17	1.20	24	1154	60.61	18	1.25	27	1010	53.05	19	1.45	30	910	47.79	19	1.60	34	798	41.92	18	1.80	39	704	37.00	18	2.10	44	624	32.80	17	2.30	51	533	28.00	17	2.60																																								
542	38	2.64	2.2	1.75	603	34	2.37	2.2	1.95	701	29	2.04	2.1	2.30	745	28	1.92	2.0	2.40	867	24	1.65	2.0	2.80	966	21	1.48	1.9	3.10	1100	19	1.30	1.8	3.20	0.65	44277	2210	128	0.85	0.73	39309	1962	128	0.95	0.80	35622	1778	128	1.05	0.89	32256	1610	128	1.15	1.0	28610	1428	128	1.30	1.1	25865	1291	128	1.40	1.2	22960	1146	128	1.60	1.4	20335	1015	128	1.80	1.6	18312	914	128	2.00	1.8	16248	811	128	2.25	1.9	14706	734	128	2.50	2.2	13283	663	128	2.75	0.63	45720	2282	128	0.80	0.70	41112	2052	128	0.90	0.78	36784	1836	128	1.00	1.0	28590	1427	128	1.30	1.2	24503	1223	128	1.50	1.2	23000	1148	128	1.60	1.5	19714	984	128	1.85	1.8	15828	790	128	2.30	2.0	14145	706	128	2.60	1.3	20378	1127	114	0.90	1.4	18226	1008	114	1.00	1.6	15839	876	114	1.15	1.9	13959	772	114	1.30	2.2	11898	658	114	1.50	2.8	9258	512	114	1.95	2.7	9637	533	65	1.35	3.1	8390	464	66	1.55	3.3	7721	427	67	1.65	3.9	6564	363	68	1.95	4.5	5786	320	69	2.25	5.1	5081	281	69	2.55	1.6	15803	874	25	0.80	1.9	13941	771	52	0.95	2.1	12350	683	60	1.05	2.3	11012	609	62	1.15	2.6	9927	549	64	1.30	2.9	8914	493	46	0.90	3.3	7775	430	51	1.00	3.7	6943	384	52	1.15	4.4	5877	325	54	1.35	4.9	5298	293	55	1.50	5.6	4629	256	56	1.70	6.4	4014	222	56	2.00	3.2	8547	222.96	48	0.90	3.8	7236	188.75	52	1.05	4.1	6696	174.68	53	1.15	4.5	6002	156.56	54	1.30	5.0	5419	141.35	55	1.40	5.5	4921	128.38	55	1.55	6.2	4366	113.90	56	1.75	6.9	3962	103.36	56	1.95	8.0	3406	88.85	57	2.30	4.3	6321	222.96	53	1.20	5.1	5351	188.75	55	1.40	5.5	4952	174.68	55	1.50	6.1	4439	156.56	56	1.70	6.8	4007	141.35	56	1.85	7.5	3640	128.38	57	2.00	8.4	3229	113.90	57	2.30	9.3	2930	103.36	57	2.50	6.0	4499	158.68	21	0.90	6.8	4021	141.83	28	1.00	7.5	3620	127.68	30	1.10	6.2	4377	229.95	25	0.90	7.0	3867	203.16	29	1.05	8.3	3280	172.34	31	1.20	9.0	3020	158.68	32	1.30	10	2699	141.83	34	1.50	11	2430	127.68	34	1.65	12	2201	115.63	34	1.80	14	1951	102.53	35	2.00	15	1764	92.70	35	2.30	18	1495	78.57	34	2.70	20	1387	72.88	33	2.90	9.5	2870	150.78	15	0.95	11	2412	126.75	22	1.15	12	2217	116.48	23	1.25	14	1969	103.44	25	1.40	15	1760	92.48	25	1.60	17	1583	83.15	26	1.75	20	1374	72.17	26	2.00	22	1241	65.21	26	2.20	24	1140	59.92	25	2.50	27	1013	53.21	24	2.80	30	906	47.58	24	3.10	33	814	42.78	23	3.40	39	707	37.13	22	4.00	43	633	33.25	21	4.20	15	1785	93.79	3.4	0.80	17	1566	82.27	15	0.90	20	1387	72.88	17	1.05	22	1217	63.96	17	1.20	24	1154	60.61	18	1.25	27	1010	53.05	19	1.45	30	910	47.79	19	1.60	34	798	41.92	18	1.80	39	704	37.00	18	2.10	44	624	32.80	17	2.30	51	533	28.00	17	2.60																																															
603	34	2.37	2.2	1.95	701	29	2.04	2.1	2.30	745	28	1.92	2.0	2.40	867	24	1.65	2.0	2.80	966	21	1.48	1.9	3.10	1100	19	1.30	1.8	3.20	0.65	44277	2210	128	0.85	0.73	39309	1962	128	0.95	0.80	35622	1778	128	1.05	0.89	32256	1610	128	1.15	1.0	28610	1428	128	1.30	1.1	25865	1291	128	1.40	1.2	22960	1146	128	1.60	1.4	20335	1015	128	1.80	1.6	18312	914	128	2.00	1.8	16248	811	128	2.25	1.9	14706	734	128	2.50	2.2	13283	663	128	2.75	0.63	45720	2282	128	0.80	0.70	41112	2052	128	0.90	0.78	36784	1836	128	1.00	1.0	28590	1427	128	1.30	1.2	24503	1223	128	1.50	1.2	23000	1148	128	1.60	1.5	19714	984	128	1.85	1.8	15828	790	128	2.30	2.0	14145	706	128	2.60	1.3	20378	1127	114	0.90	1.4	18226	1008	114	1.00	1.6	15839	876	114	1.15	1.9	13959	772	114	1.30	2.2	11898	658	114	1.50	2.8	9258	512	114	1.95	2.7	9637	533	65	1.35	3.1	8390	464	66	1.55	3.3	7721	427	67	1.65	3.9	6564	363	68	1.95	4.5	5786	320	69	2.25	5.1	5081	281	69	2.55	1.6	15803	874	25	0.80	1.9	13941	771	52	0.95	2.1	12350	683	60	1.05	2.3	11012	609	62	1.15	2.6	9927	549	64	1.30	2.9	8914	493	46	0.90	3.3	7775	430	51	1.00	3.7	6943	384	52	1.15	4.4	5877	325	54	1.35	4.9	5298	293	55	1.50	5.6	4629	256	56	1.70	6.4	4014	222	56	2.00	3.2	8547	222.96	48	0.90	3.8	7236	188.75	52	1.05	4.1	6696	174.68	53	1.15	4.5	6002	156.56	54	1.30	5.0	5419	141.35	55	1.40	5.5	4921	128.38	55	1.55	6.2	4366	113.90	56	1.75	6.9	3962	103.36	56	1.95	8.0	3406	88.85	57	2.30	4.3	6321	222.96	53	1.20	5.1	5351	188.75	55	1.40	5.5	4952	174.68	55	1.50	6.1	4439	156.56	56	1.70	6.8	4007	141.35	56	1.85	7.5	3640	128.38	57	2.00	8.4	3229	113.90	57	2.30	9.3	2930	103.36	57	2.50	6.0	4499	158.68	21	0.90	6.8	4021	141.83	28	1.00	7.5	3620	127.68	30	1.10	6.2	4377	229.95	25	0.90	7.0	3867	203.16	29	1.05	8.3	3280	172.34	31	1.20	9.0	3020	158.68	32	1.30	10	2699	141.83	34	1.50	11	2430	127.68	34	1.65	12	2201	115.63	34	1.80	14	1951	102.53	35	2.00	15	1764	92.70	35	2.30	18	1495	78.57	34	2.70	20	1387	72.88	33	2.90	9.5	2870	150.78	15	0.95	11	2412	126.75	22	1.15	12	2217	116.48	23	1.25	14	1969	103.44	25	1.40	15	1760	92.48	25	1.60	17	1583	83.15	26	1.75	20	1374	72.17	26	2.00	22	1241	65.21	26	2.20	24	1140	59.92	25	2.50	27	1013	53.21	24	2.80	30	906	47.58	24	3.10	33	814	42.78	23	3.40	39	707	37.13	22	4.00	43	633	33.25	21	4.20	15	1785	93.79	3.4	0.80	17	1566	82.27	15	0.90	20	1387	72.88	17	1.05	22	1217	63.96	17	1.20	24	1154	60.61	18	1.25	27	1010	53.05	19	1.45	30	910	47.79	19	1.60	34	798	41.92	18	1.80	39	704	37.00	18	2.10	44	624	32.80	17	2.30	51	533	28.00	17	2.60																																																				
701	29	2.04	2.1	2.30	745	28	1.92	2.0	2.40	867	24	1.65	2.0	2.80	966	21	1.48	1.9	3.10	1100	19	1.30	1.8	3.20	0.65	44277	2210	128	0.85	0.73	39309	1962	128	0.95	0.80	35622	1778	128	1.05	0.89	32256	1610	128	1.15	1.0	28610	1428	128	1.30	1.1	25865	1291	128	1.40	1.2	22960	1146	128	1.60	1.4	20335	1015	128	1.80	1.6	18312	914	128	2.00	1.8	16248	811	128	2.25	1.9	14706	734	128	2.50	2.2	13283	663	128	2.75	0.63	45720	2282	128	0.80	0.70	41112	2052	128	0.90	0.78	36784	1836	128	1.00	1.0	28590	1427	128	1.30	1.2	24503	1223	128	1.50	1.2	23000	1148	128	1.60	1.5	19714	984	128	1.85	1.8	15828	790	128	2.30	2.0	14145	706	128	2.60	1.3	20378	1127	114	0.90	1.4	18226	1008	114	1.00	1.6	15839	876	114	1.15	1.9	13959	772	114	1.30	2.2	11898	658	114	1.50	2.8	9258	512	114	1.95	2.7	9637	533	65	1.35	3.1	8390	464	66	1.55	3.3	7721	427	67	1.65	3.9	6564	363	68	1.95	4.5	5786	320	69	2.25	5.1	5081	281	69	2.55	1.6	15803	874	25	0.80	1.9	13941	771	52	0.95	2.1	12350	683	60	1.05	2.3	11012	609	62	1.15	2.6	9927	549	64	1.30	2.9	8914	493	46	0.90	3.3	7775	430	51	1.00	3.7	6943	384	52	1.15	4.4	5877	325	54	1.35	4.9	5298	293	55	1.50	5.6	4629	256	56	1.70	6.4	4014	222	56	2.00	3.2	8547	222.96	48	0.90	3.8	7236	188.75	52	1.05	4.1	6696	174.68	53	1.15	4.5	6002	156.56	54	1.30	5.0	5419	141.35	55	1.40	5.5	4921	128.38	55	1.55	6.2	4366	113.90	56	1.75	6.9	3962	103.36	56	1.95	8.0	3406	88.85	57	2.30	4.3	6321	222.96	53	1.20	5.1	5351	188.75	55	1.40	5.5	4952	174.68	55	1.50	6.1	4439	156.56	56	1.70	6.8	4007	141.35	56	1.85	7.5	3640	128.38	57	2.00	8.4	3229	113.90	57	2.30	9.3	2930	103.36	57	2.50	6.0	4499	158.68	21	0.90	6.8	4021	141.83	28	1.00	7.5	3620	127.68	30	1.10	6.2	4377	229.95	25	0.90	7.0	3867	203.16	29	1.05	8.3	3280	172.34	31	1.20	9.0	3020	158.68	32	1.30	10	2699	141.83	34	1.50	11	2430	127.68	34	1.65	12	2201	115.63	34	1.80	14	1951	102.53	35	2.00	15	1764	92.70	35	2.30	18	1495	78.57	34	2.70	20	1387	72.88	33	2.90	9.5	2870	150.78	15	0.95	11	2412	126.75	22	1.15	12	2217	116.48	23	1.25	14	1969	103.44	25	1.40	15	1760	92.48	25	1.60	17	1583	83.15	26	1.75	20	1374	72.17	26	2.00	22	1241	65.21	26	2.20	24	1140	59.92	25	2.50	27	1013	53.21	24	2.80	30	906	47.58	24	3.10	33	814	42.78	23	3.40	39	707	37.13	22	4.00	43	633	33.25	21	4.20	15	1785	93.79	3.4	0.80	17	1566	82.27	15	0.90	20	1387	72.88	17	1.05	22	1217	63.96	17	1.20	24	1154	60.61	18	1.25	27	1010	53.05	19	1.45	30	910	47.79	19	1.60	34	798	41.92	18	1.80	39	704	37.00	18	2.10	44	624	32.80	17	2.30	51	533	28.00	17	2.60																																																									
745	28	1.92	2.0	2.40	867	24	1.65	2.0	2.80	966	21	1.48	1.9	3.10	1100	19	1.30	1.8	3.20	0.65	44277	2210	128	0.85	0.73	39309	1962	128	0.95	0.80	35622	1778	128	1.05	0.89	32256	1610	128	1.15	1.0	28610	1428	128	1.30	1.1	25865	1291	128	1.40	1.2	22960	1146	128	1.60	1.4	20335	1015	128	1.80	1.6	18312	914	128	2.00	1.8	16248	811	128	2.25	1.9	14706	734	128	2.50	2.2	13283	663	128	2.75	0.63	45720	2282	128	0.80	0.70	41112	2052	128	0.90	0.78	36784	1836	128	1.00	1.0	28590	1427	128	1.30	1.2	24503	1223	128	1.50	1.2	23000	1148	128	1.60	1.5	19714	984	128	1.85	1.8	15828	790	128	2.30	2.0	14145	706	128	2.60	1.3	20378	1127	114	0.90	1.4	18226	1008	114	1.00	1.6	15839	876	114	1.15	1.9	13959	772	114	1.30	2.2	11898	658	114	1.50	2.8	9258	512	114	1.95	2.7	9637	533	65	1.35	3.1	8390	464	66	1.55	3.3	7721	427	67	1.65	3.9	6564	363	68	1.95	4.5	5786	320	69	2.25	5.1	5081	281	69	2.55	1.6	15803	874	25	0.80	1.9	13941	771	52	0.95	2.1	12350	683	60	1.05	2.3	11012	609	62	1.15	2.6	9927	549	64	1.30	2.9	8914	493	46	0.90	3.3	7775	430	51	1.00	3.7	6943	384	52	1.15	4.4	5877	325	54	1.35	4.9	5298	293	55	1.50	5.6	4629	256	56	1.70	6.4	4014	222	56	2.00	3.2	8547	222.96	48	0.90	3.8	7236	188.75	52	1.05	4.1	6696	174.68	53	1.15	4.5	6002	156.56	54	1.30	5.0	5419	141.35	55	1.40	5.5	4921	128.38	55	1.55	6.2	4366	113.90	56	1.75	6.9	3962	103.36	56	1.95	8.0	3406	88.85	57	2.30	4.3	6321	222.96	53	1.20	5.1	5351	188.75	55	1.40	5.5	4952	174.68	55	1.50	6.1	4439	156.56	56	1.70	6.8	4007	141.35	56	1.85	7.5	3640	128.38	57	2.00	8.4	3229	113.90	57	2.30	9.3	2930	103.36	57	2.50	6.0	4499	158.68	21	0.90	6.8	4021	141.83	28	1.00	7.5	3620	127.68	30	1.10	6.2	4377	229.95	25	0.90	7.0	3867	203.16	29	1.05	8.3	3280	172.34	31	1.20	9.0	3020	158.68	32	1.30	10	2699	141.83	34	1.50	11	2430	127.68	34	1.65	12	2201	115.63	34	1.80	14	1951	102.53	35	2.00	15	1764	92.70	35	2.30	18	1495	78.57	34	2.70	20	1387	72.88	33	2.90	9.5	2870	150.78	15	0.95	11	2412	126.75	22	1.15	12	2217	116.48	23	1.25	14	1969	103.44	25	1.40	15	1760	92.48	25	1.60	17	1583	83.15	26	1.75	20	1374	72.17	26	2.00	22	1241	65.21	26	2.20	24	1140	59.92	25	2.50	27	1013	53.21	24	2.80	30	906	47.58	24	3.10	33	814	42.78	23	3.40	39	707	37.13	22	4.00	43	633	33.25	21	4.20	15	1785	93.79	3.4	0.80	17	1566	82.27	15	0.90	20	1387	72.88	17	1.05	22	1217	63.96	17	1.20	24	1154	60.61	18	1.25	27	1010	53.05	19	1.45	30	910	47.79	19	1.60	34	798	41.92	18	1.80	39	704	37.00	18	2.10	44	624	32.80	17	2.30	51	533	28.00	17	2.60																																																														
867	24	1.65	2.0	2.80	966	21	1.48	1.9	3.10	1100	19	1.30	1.8	3.20	0.65	44277	2210	128	0.85	0.73	39309	1962	128	0.95	0.80	35622	1778	128	1.05	0.89	32256	1610	128	1.15	1.0	28610	1428	128	1.30	1.1	25865	1291	128	1.40	1.2	22960	1146	128	1.60	1.4	20335	1015	128	1.80	1.6	18312	914	128	2.00	1.8	16248	811	128	2.25	1.9	14706	734	128	2.50	2.2	13283	663	128	2.75	0.63	45720	2282	128	0.80	0.70	41112	2052	128	0.90	0.78	36784	1836	128	1.00	1.0	28590	1427	128	1.30	1.2	24503	1223	128	1.50	1.2	23000	1148	128	1.60	1.5	19714	984	128	1.85	1.8	15828	790	128	2.30	2.0	14145	706	128	2.60	1.3	20378	1127	114	0.90	1.4	18226	1008	114	1.00	1.6	15839	876	114	1.15	1.9	13959	772	114	1.30	2.2	11898	658	114	1.50	2.8	9258	512	114	1.95	2.7	9637	533	65	1.35	3.1	8390	464	66	1.55	3.3	7721	427	67	1.65	3.9	6564	363	68	1.95	4.5	5786	320	69	2.25	5.1	5081	281	69	2.55	1.6	15803	874	25	0.80	1.9	13941	771	52	0.95	2.1	12350	683	60	1.05	2.3	11012	609	62	1.15	2.6	9927	549	64	1.30	2.9	8914	493	46	0.90	3.3	7775	430	51	1.00	3.7	6943	384	52	1.15	4.4	5877	325	54	1.35	4.9	5298	293	55	1.50	5.6	4629	256	56	1.70	6.4	4014	222	56	2.00	3.2	8547	222.96	48	0.90	3.8	7236	188.75	52	1.05	4.1	6696	174.68	53	1.15	4.5	6002	156.56	54	1.30	5.0	5419	141.35	55	1.40	5.5	4921	128.38	55	1.55	6.2	4366	113.90	56	1.75	6.9	3962	103.36	56	1.95	8.0	3406	88.85	57	2.30	4.3	6321	222.96	53	1.20	5.1	5351	188.75	55	1.40	5.5	4952	174.68	55	1.50	6.1	4439	156.56	56	1.70	6.8	4007	141.35	56	1.85	7.5	3640	128.38	57	2.00	8.4	3229	113.90	57	2.30	9.3	2930	103.36	57	2.50	6.0	4499	158.68	21	0.90	6.8	4021	141.83	28	1.00	7.5	3620	127.68	30	1.10	6.2	4377	229.95	25	0.90	7.0	3867	203.16	29	1.05	8.3	3280	172.34	31	1.20	9.0	3020	158.68	32	1.30	10	2699	141.83	34	1.50	11	2430	127.68	34	1.65	12	2201	115.63	34	1.80	14	1951	102.53	35	2.00	15	1764	92.70	35	2.30	18	1495	78.57	34	2.70	20	1387	72.88	33	2.90	9.5	2870	150.78	15	0.95	11	2412	126.75	22	1.15	12	2217	116.48	23	1.25	14	1969	103.44	25	1.40	15	1760	92.48	25	1.60	17	1583	83.15	26	1.75	20	1374	72.17	26	2.00	22	1241	65.21	26	2.20	24	1140	59.92	25	2.50	27	1013	53.21	24	2.80	30	906	47.58	24	3.10	33	814	42.78	23	3.40	39	707	37.13	22	4.00	43	633	33.25	21	4.20	15	1785	93.79	3.4	0.80	17	1566	82.27	15	0.90	20	1387	72.88	17	1.05	22	1217	63.96	17	1.20	24	1154	60.61	18	1.25	27	1010	53.05	19	1.45	30	910	47.79	19	1.60	34	798	41.92	18	1.80	39	704	37.00	18	2.10	44	624	32.80	17	2.30	51	533	28.00	17	2.60																																																																			
966	21	1.48	1.9	3.10	1100	19	1.30	1.8	3.20	0.65	44277	2210	128	0.85	0.73	39309	1962	128	0.95	0.80	35622	1778	128	1.05	0.89	32256	1610	128	1.15	1.0	28610	1428	128	1.30	1.1	25865	1291	128	1.40	1.2	22960	1146	128	1.60	1.4	20335	1015	128	1.80	1.6	18312	914	128	2.00	1.8	16248	811	128	2.25	1.9	14706	734	128	2.50	2.2	13283	663	128	2.75	0.63	45720	2282	128	0.80	0.70	41112	2052	128	0.90	0.78	36784	1836	128	1.00	1.0	28590	1427	128	1.30	1.2	24503	1223	128	1.50	1.2	23000	1148	128	1.60	1.5	19714	984	128	1.85	1.8	15828	790	128	2.30	2.0	14145	706	128	2.60	1.3	20378	1127	114	0.90	1.4	18226	1008	114	1.00	1.6	15839	876	114	1.15	1.9	13959	772	114	1.30	2.2	11898	658	114	1.50	2.8	9258	512	114	1.95	2.7	9637	533	65	1.35	3.1	8390	464	66	1.55	3.3	7721	427	67	1.65	3.9	6564	363	68	1.95	4.5	5786	320	69	2.25	5.1	5081	281	69	2.55	1.6	15803	874	25	0.80	1.9	13941	771	52	0.95	2.1	12350	683	60	1.05	2.3	11012	609	62	1.15	2.6	9927	549	64	1.30	2.9	8914	493	46	0.90	3.3	7775	430	51	1.00	3.7	6943	384	52	1.15	4.4	5877	325	54	1.35	4.9	5298	293	55	1.50	5.6	4629	256	56	1.70	6.4	4014	222	56	2.00	3.2	8547	222.96	48	0.90	3.8	7236	188.75	52	1.05	4.1	6696	174.68	53	1.15	4.5	6002	156.56	54	1.30	5.0	5419	141.35	55	1.40	5.5	4921	128.38	55	1.55	6.2	4366	113.90	56	1.75	6.9	3962	103.36	56	1.95	8.0	3406	88.85	57	2.30	4.3	6321	222.96	53	1.20	5.1	5351	188.75	55	1.40	5.5	4952	174.68	55	1.50	6.1	4439	156.56	56	1.70	6.8	4007	141.35	56	1.85	7.5	3640	128.38	57	2.00	8.4	3229	113.90	57	2.30	9.3	2930	103.36	57	2.50	6.0	4499	158.68	21	0.90	6.8	4021	141.83	28	1.00	7.5	3620	127.68	30	1.10	6.2	4377	229.95	25	0.90	7.0	3867	203.16	29	1.05	8.3	3280	172.34	31	1.20	9.0	3020	158.68	32	1.30	10	2699	141.83	34	1.50	11	2430	127.68	34	1.65	12	2201	115.63	34	1.80	14	1951	102.53	35	2.00	15	1764	92.70	35	2.30	18	1495	78.57	34	2.70	20	1387	72.88	33	2.90	9.5	2870	150.78	15	0.95	11	2412	126.75	22	1.15	12	2217	116.48	23	1.25	14	1969	103.44	25	1.40	15	1760	92.48	25	1.60	17	1583	83.15	26	1.75	20	1374	72.17	26	2.00	22	1241	65.21	26	2.20	24	1140	59.92	25	2.50	27	1013	53.21	24	2.80	30	906	47.58	24	3.10	33	814	42.78	23	3.40	39	707	37.13	22	4.00	43	633	33.25	21	4.20	15	1785	93.79	3.4	0.80	17	1566	82.27	15	0.90	20	1387	72.88	17	1.05	22	1217	63.96	17	1.20	24	1154	60.61	18	1.25	27	1010	53.05	19	1.45	30	910	47.79	19	1.60	34	798	41.92	18	1.80	39	704	37.00	18	2.10	44	624	32.80	17	2.30	51	533	28.00	17	2.60																																																																								
1100	19	1.30	1.8	3.20	0.65	44277	2210	128	0.85	0.73	39309	1962	128	0.95	0.80	35622	1778	128	1.05	0.89	32256	1610	128	1.15	1.0	28610	1428	128	1.30	1.1	25865	1291	128	1.40	1.2	22960	1146	128	1.60	1.4	20335	1015	128	1.80	1.6	18312	914	128	2.00	1.8	16248	811	128	2.25	1.9	14706	734	128	2.50	2.2	13283	663	128	2.75	0.63	45720	2282	128	0.80	0.70	41112	2052	128	0.90	0.78	36784	1836	128	1.00	1.0	28590	1427	128	1.30	1.2	24503	1223	128	1.50	1.2	23000	1148	128	1.60	1.5	19714	984	128	1.85	1.8	15828	790	128	2.30	2.0	14145	706	128	2.60	1.3	20378	1127	114	0.90	1.4	18226	1008	114	1.00	1.6	15839	876	114	1.15	1.9	13959	772	114	1.30	2.2	11898	658	114	1.50	2.8	9258	512	114	1.95	2.7	9637	533	65	1.35	3.1	8390	464	66	1.55	3.3	7721	427	67	1.65	3.9	6564	363	68	1.95	4.5	5786	320	69	2.25	5.1	5081	281	69	2.55	1.6	15803	874	25	0.80	1.9	13941	771	52	0.95	2.1	12350	683	60	1.05	2.3	11012	609	62	1.15	2.6	9927	549	64	1.30	2.9	8914	493	46	0.90	3.3	7775	430	51	1.00	3.7	6943	384	52	1.15	4.4	5877	325	54	1.35	4.9	5298	293	55	1.50	5.6	4629	256	56	1.70	6.4	4014	222	56	2.00	3.2	8547	222.96	48	0.90	3.8	7236	188.75	52	1.05	4.1	6696	174.68	53	1.15	4.5	6002	156.56	54	1.30	5.0	5419	141.35	55	1.40	5.5	4921	128.38	55	1.55	6.2	4366	113.90	56	1.75	6.9	3962	103.36	56	1.95	8.0	3406	88.85	57	2.30	4.3	6321	222.96	53	1.20	5.1	5351	188.75	55	1.40	5.5	4952	174.68	55	1.50	6.1	4439	156.56	56	1.70	6.8	4007	141.35	56	1.85	7.5	3640	128.38	57	2.00	8.4	3229	113.90	57	2.30	9.3	2930	103.36	57	2.50	6.0	4499	158.68	21	0.90	6.8	4021	141.83	28	1.00	7.5	3620	127.68	30	1.10	6.2	4377	229.95	25	0.90	7.0	3867	203.16	29	1.05	8.3	3280	172.34	31	1.20	9.0	3020	158.68	32	1.30	10	2699	141.83	34	1.50	11	2430	127.68	34	1.65	12	2201	115.63	34	1.80	14	1951	102.53	35	2.00	15	1764	92.70	35	2.30	18	1495	78.57	34	2.70	20	1387	72.88	33	2.90	9.5	2870	150.78	15	0.95	11	2412	126.75	22	1.15	12	2217	116.48	23	1.25	14	1969	103.44	25	1.40	15	1760	92.48	25	1.60	17	1583	83.15	26	1.75	20	1374	72.17	26	2.00	22	1241	65.21	26	2.20	24	1140	59.92	25	2.50	27	1013	53.21	24	2.80	30	906	47.58	24	3.10	33	814	42.78	23	3.40	39	707	37.13	22	4.00	43	633	33.25	21	4.20	15	1785	93.79	3.4	0.80	17	1566	82.27	15	0.90	20	1387	72.88	17	1.05	22	1217	63.96	17	1.20	24	1154	60.61	18	1.25	27	1010	53.05	19	1.45	30	910	47.79	19	1.60	34	798	41.92	18	1.80	39	704	37.00	18	2.10	44	624	32.80	17	2.30	51	533	28.00	17	2.60																																																																													
0.65	44277	2210	128	0.85	0.73	39309	1962	128	0.95	0.80	35622	1778	128	1.05	0.89	32256	1610	128	1.15	1.0	28610	1428	128	1.30	1.1	25865	1291	128	1.40	1.2	22960	1146	128	1.60	1.4	20335	1015	128	1.80	1.6	18312	914	128	2.00	1.8	16248	811	128	2.25	1.9	14706	734	128	2.50	2.2	13283	663	128	2.75	0.63	45720	2282	128	0.80	0.70	41112	2052	128	0.90	0.78	36784	1836	128	1.00	1.0	28590	1427	128	1.30	1.2	24503	1223	128	1.50	1.2	23000	1148	128	1.60	1.5	19714	984	128	1.85	1.8	15828	790	128	2.30	2.0	14145	706	128	2.60	1.3	20378	1127	114	0.90	1.4	18226	1008	114	1.00	1.6	15839	876	114	1.15	1.9	13959	772	114	1.30	2.2	11898	658	114	1.50	2.8	9258	512	114	1.95	2.7	9637	533	65	1.35	3.1	8390	464	66	1.55	3.3	7721	427	67	1.65	3.9	6564	363	68	1.95	4.5	5786	320	69	2.25	5.1	5081	281	69	2.55	1.6	15803	874	25	0.80	1.9	13941	771	52	0.95	2.1	12350	683	60	1.05	2.3	11012	609	62	1.15	2.6	9927	549	64	1.30	2.9	8914	493	46	0.90	3.3	7775	430	51	1.00	3.7	6943	384	52	1.15	4.4	5877	325	54	1.35	4.9	5298	293	55	1.50	5.6	4629	256	56	1.70	6.4	4014	222	56	2.00	3.2	8547	222.96	48	0.90	3.8	7236	188.75	52	1.05	4.1	6696	174.68	53	1.15	4.5	6002	156.56	54	1.30	5.0	5419	141.35	55	1.40	5.5	4921	128.38	55	1.55	6.2	4366	113.90	56	1.75	6.9	3962	103.36	56	1.95	8.0	3406	88.85	57	2.30	4.3	6321	222.96	53	1.20	5.1	5351	188.75	55	1.40	5.5	4952	174.68	55	1.50	6.1	4439	156.56	56	1.70	6.8	4007	141.35	56	1.85	7.5	3640	128.38	57	2.00	8.4	3229	113.90	57	2.30	9.3	2930	103.36	57	2.50	6.0	4499	158.68	21	0.90	6.8	4021	141.83	28	1.00	7.5	3620	127.68	30	1.10	6.2	4377	229.95	25	0.90	7.0	3867	203.16	29	1.05	8.3	3280	172.34	31	1.20	9.0	3020	158.68	32	1.30	10	2699	141.83	34	1.50	11	2430	127.68	34	1.65	12	2201	115.63	34	1.80	14	1951	102.53	35	2.00	15	1764	92.70	35	2.30	18	1495	78.57	34	2.70	20	1387	72.88	33	2.90	9.5	2870	150.78	15	0.95	11	2412	126.75	22	1.15	12	2217	116.48	23	1.25	14	1969	103.44	25	1.40	15	1760	92.48	25	1.60	17	1583	83.15	26	1.75	20	1374	72.17	26	2.00	22	1241	65.21	26	2.20	24	1140	59.92	25	2.50	27	1013	53.21	24	2.80	30	906	47.58	24	3.10	33	814	42.78	23	3.40	39	707	37.13	22	4.00	43	633	33.25	21	4.20	15	1785	93.79	3.4	0.80	17	1566	82.27	15	0.90	20	1387	72.88	17	1.05	22	1217	63.96	17	1.20	24	1154	60.61	18	1.25	27	1010	53.05	19	1.45	30	910	47.79	19	1.60	34	798	41.92	18	1.80	39	704	37.00	18	2.10	44	624	32.80	17	2.30	51	533	28.00	17	2.60																																																																																		
0.73	39309	1962	128	0.95	0.80	35622	1778	128	1.05	0.89	32256	1610	128	1.15	1.0	28610	1428	128	1.30	1.1	25865	1291	128	1.40	1.2	22960	1146	128	1.60	1.4	20335	1015	128	1.80	1.6	18312	914	128	2.00	1.8	16248	811	128	2.25	1.9	14706	734	128	2.50	2.2	13283	663	128	2.75	0.63	45720	2282	128	0.80	0.70	41112	2052	128	0.90	0.78	36784	1836	128	1.00	1.0	28590	1427	128	1.30	1.2	24503	1223	128	1.50	1.2	23000	1148	128	1.60	1.5	19714	984	128	1.85	1.8	15828	790	128	2.30	2.0	14145	706	128	2.60	1.3	20378	1127	114	0.90	1.4	18226	1008	114	1.00	1.6	15839	876	114	1.15	1.9	13959	772	114	1.30	2.2	11898	658	114	1.50	2.8	9258	512	114	1.95	2.7	9637	533	65	1.35	3.1	8390	464	66	1.55	3.3	7721	427	67	1.65	3.9	6564	363	68	1.95	4.5	5786	320	69	2.25	5.1	5081	281	69	2.55	1.6	15803	874	25	0.80	1.9	13941	771	52	0.95	2.1	12350	683	60	1.05	2.3	11012	609	62	1.15	2.6	9927	549	64	1.30	2.9	8914	493	46	0.90	3.3	7775	430	51	1.00	3.7	6943	384	52	1.15	4.4	5877	325	54	1.35	4.9	5298	293	55	1.50	5.6	4629	256	56	1.70	6.4	4014	222	56	2.00	3.2	8547	222.96	48	0.90	3.8	7236	188.75	52	1.05	4.1	6696	174.68	53	1.15	4.5	6002	156.56	54	1.30	5.0	5419	141.35	55	1.40	5.5	4921	128.38	55	1.55	6.2	4366	113.90	56	1.75	6.9	3962	103.36	56	1.95	8.0	3406	88.85	57	2.30	4.3	6321	222.96	53	1.20	5.1	5351	188.75	55	1.40	5.5	4952	174.68	55	1.50	6.1	4439	156.56	56	1.70	6.8	4007	141.35	56	1.85	7.5	3640	128.38	57	2.00	8.4	3229	113.90	57	2.30	9.3	2930	103.36	57	2.50	6.0	4499	158.68	21	0.90	6.8	4021	141.83	28	1.00	7.5	3620	127.68	30	1.10	6.2	4377	229.95	25	0.90	7.0	3867	203.16	29	1.05	8.3	3280	172.34	31	1.20	9.0	3020	158.68	32	1.30	10	2699	141.83	34	1.50	11	2430	127.68	34	1.65	12	2201	115.63	34	1.80	14	1951	102.53	35	2.00	15	1764	92.70	35	2.30	18	1495	78.57	34	2.70	20	1387	72.88	33	2.90	9.5	2870	150.78	15	0.95	11	2412	126.75	22	1.15	12	2217	116.48	23	1.25	14	1969	103.44	25	1.40	15	1760	92.48	25	1.60	17	1583	83.15	26	1.75	20	1374	72.17	26	2.00	22	1241	65.21	26	2.20	24	1140	59.92	25	2.50	27	1013	53.21	24	2.80	30	906	47.58	24	3.10	33	814	42.78	23	3.40	39	707	37.13	22	4.00	43	633	33.25	21	4.20	15	1785	93.79	3.4	0.80	17	1566	82.27	15	0.90	20	1387	72.88	17	1.05	22	1217	63.96	17	1.20	24	1154	60.61	18	1.25	27	1010	53.05	19	1.45	30	910	47.79	19	1.60	34	798	41.92	18	1.80	39	704	37.00	18	2.10	44	624	32.80	17	2.30	51	533	28.00	17	2.60																																																																																							
0.80	35622	1778	128	1.05	0.89	32256	1610	128	1.15	1.0	28610	1428	128	1.30	1.1	25865	1291	128	1.40	1.2	22960	1146	128	1.60	1.4	20335	1015	128	1.80	1.6	18312	914	128	2.00	1.8	16248	811	128	2.25	1.9	14706	734	128	2.50	2.2	13283	663	128	2.75	0.63	45720	2282	128	0.80	0.70	41112	2052	128	0.90	0.78	36784	1836	128	1.00	1.0	28590	1427	128	1.30	1.2	24503	1223	128	1.50	1.2	23000	1148	128	1.60	1.5	19714	984	128	1.85	1.8	15828	790	128	2.30	2.0	14145	706	128	2.60	1.3	20378	1127	114	0.90	1.4	18226	1008	114	1.00	1.6	15839	876	114	1.15	1.9	13959	772	114	1.30	2.2	11898	658	114	1.50	2.8	9258	512	114	1.95	2.7	9637	533	65	1.35	3.1	8390	464	66	1.55	3.3	7721	427	67	1.65	3.9	6564	363	68	1.95	4.5	5786	320	69	2.25	5.1	5081	281	69	2.55	1.6	15803	874	25	0.80	1.9	13941	771	52	0.95	2.1	12350	683	60	1.05	2.3	11012	609	62	1.15	2.6	9927	549	64	1.30	2.9	8914	493	46	0.90	3.3	7775	430	51	1.00	3.7	6943	384	52	1.15	4.4	5877	325	54	1.35	4.9	5298	293	55	1.50	5.6	4629	256	56	1.70	6.4	4014	222	56	2.00	3.2	8547	222.96	48	0.90	3.8	7236	188.75	52	1.05	4.1	6696	174.68	53	1.15	4.5	6002	156.56	54	1.30	5.0	5419	141.35	55	1.40	5.5	4921	128.38	55	1.55	6.2	4366	113.90	56	1.75	6.9	3962	103.36	56	1.95	8.0	3406	88.85	57	2.30	4.3	6321	222.96	53	1.20	5.1	5351	188.75	55	1.40	5.5	4952	174.68	55	1.50	6.1	4439	156.56	56	1.70	6.8	4007	141.35	56	1.85	7.5	3640	128.38	57	2.00	8.4	3229	113.90	57	2.30	9.3	2930	103.36	57	2.50	6.0	4499	158.68	21	0.90	6.8	4021	141.83	28	1.00	7.5	3620	127.68	30	1.10	6.2	4377	229.95	25	0.90	7.0	3867	203.16	29	1.05	8.3	3280	172.34	31	1.20	9.0	3020	158.68	32	1.30	10	2699	141.83	34	1.50	11	2430	127.68	34	1.65	12	2201	115.63	34	1.80	14	1951	102.53	35	2.00	15	1764	92.70	35	2.30	18	1495	78.57	34	2.70	20	1387	72.88	33	2.90	9.5	2870	150.78	15	0.95	11	2412	126.75	22	1.15	12	2217	116.48	23	1.25	14	1969	103.44	25	1.40	15	1760	92.48	25	1.60	17	1583	83.15	26	1.75	20	1374	72.17	26	2.00	22	1241	65.21	26	2.20	24	1140	59.92	25	2.50	27	1013	53.21	24	2.80	30	906	47.58	24	3.10	33	814	42.78	23	3.40	39	707	37.13	22	4.00	43	633	33.25	21	4.20	15	1785	93.79	3.4	0.80	17	1566	82.27	15	0.90	20	1387	72.88	17	1.05	22	1217	63.96	17	1.20	24	1154	60.61	18	1.25	27	1010	53.05	19	1.45	30	910	47.79	19	1.60	34	798	41.92	18	1.80	39	704	37.00	18	2.10	44	624	32.80	17	2.30	51	533	28.00	17	2.60																																																																																												
0.89	32256	1610	128	1.15	1.0	28610	1428	128	1.30	1.1	25865	1291	128	1.40	1.2	22960	1146	128	1.60	1.4	20335	1015	128	1.80	1.6	18312	914	128	2.00	1.8	16248	811	128	2.25	1.9	14706	734	128	2.50	2.2	13283	663	128	2.75	0.63	45720	2282	128	0.80	0.70	41112	2052	128	0.90	0.78	36784	1836	128	1.00	1.0	28590	1427	128	1.30	1.2	24503	1223	128	1.50	1.2	23000	1148	128	1.60	1.5	19714	984	128	1.85	1.8	15828	790	128	2.30	2.0	14145	706	128	2.60	1.3	20378	1127	114	0.90	1.4	18226	1008	114	1.00	1.6	15839	876	114	1.15	1.9	13959	772	114	1.30	2.2	11898	658	114	1.50	2.8	9258	512	114	1.95	2.7	9637	533	65	1.35	3.1	8390	464	66	1.55	3.3	7721	427	67	1.65	3.9	6564	363	68	1.95	4.5	5786	320	69	2.25	5.1	5081	281	69	2.55	1.6	15803	874	25	0.80	1.9	13941	771	52	0.95	2.1	12350	683	60	1.05	2.3	11012	609	62	1.15	2.6	9927	549	64	1.30	2.9	8914	493	46	0.90	3.3	7775	430	51	1.00	3.7	6943	384	52	1.15	4.4	5877	325	54	1.35	4.9	5298	293	55	1.50	5.6	4629	256	56	1.70	6.4	4014	222	56	2.00	3.2	8547	222.96	48	0.90	3.8	7236	188.75	52	1.05	4.1	6696	174.68	53	1.15	4.5	6002	156.56	54	1.30	5.0	5419	141.35	55	1.40	5.5	4921	128.38	55	1.55	6.2	4366	113.90	56	1.75	6.9	3962	103.36	56	1.95	8.0	3406	88.85	57	2.30	4.3	6321	222.96	53	1.20	5.1	5351	188.75	55	1.40	5.5	4952	174.68	55	1.50	6.1	4439	156.56	56	1.70	6.8	4007	141.35	56	1.85	7.5	3640	128.38	57	2.00	8.4	3229	113.90	57	2.30	9.3	2930	103.36	57	2.50	6.0	4499	158.68	21	0.90	6.8	4021	141.83	28	1.00	7.5	3620	127.68	30	1.10	6.2	4377	229.95	25	0.90	7.0	3867	203.16	29	1.05	8.3	3280	172.34	31	1.20	9.0	3020	158.68	32	1.30	10	2699	141.83	34	1.50	11	2430	127.68	34	1.65	12	2201	115.63	34	1.80	14	1951	102.53	35	2.00	15	1764	92.70	35	2.30	18	1495	78.57	34	2.70	20	1387	72.88	33	2.90	9.5	2870	150.78	15	0.95	11	2412	126.75	22	1.15	12	2217	116.48	23	1.25	14	1969	103.44	25	1.40	15	1760	92.48	25	1.60	17	1583	83.15	26	1.75	20	1374	72.17	26	2.00	22	1241	65.21	26	2.20	24	1140	59.92	25	2.50	27	1013	53.21	24	2.80	30	906	47.58	24	3.10	33	814	42.78	23	3.40	39	707	37.13	22	4.00	43	633	33.25	21	4.20	15	1785	93.79	3.4	0.80	17	1566	82.27	15	0.90	20	1387	72.88	17	1.05	22	1217	63.96	17	1.20	24	1154	60.61	18	1.25	27	1010	53.05	19	1.45	30	910	47.79	19	1.60	34	798	41.92	18	1.80	39	704	37.00	18	2.10	44	624	32.80	17	2.30	51	533	28.00	17	2.60																																																																																																	
1.0	28610	1428	128	1.30	1.1	25865	1291	128	1.40	1.2	22960	1146	128	1.60	1.4	20335	1015	128	1.80	1.6	18312	914	128	2.00	1.8	16248	811	128	2.25	1.9	14706	734	128	2.50	2.2	13283	663	128	2.75	0.63	45720	2282	128	0.80	0.70	41112	2052	128	0.90	0.78	36784	1836	128	1.00	1.0	28590	1427	128	1.30	1.2	24503	1223	128	1.50	1.2	23000	1148	128	1.60	1.5	19714	984	128	1.85	1.8	15828	790	128	2.30	2.0	14145	706	128	2.60	1.3	20378	1127	114	0.90	1.4	18226	1008	114	1.00	1.6	15839	876	114	1.15	1.9	13959	772	114	1.30	2.2	11898	658	114	1.50	2.8	9258	512	114	1.95	2.7	9637	533	65	1.35	3.1	8390	464	66	1.55	3.3	7721	427	67	1.65	3.9	6564	363	68	1.95	4.5	5786	320	69	2.25	5.1	5081	281	69	2.55	1.6	15803	874	25	0.80	1.9	13941	771	52	0.95	2.1	12350	683	60	1.05	2.3	11012	609	62	1.15	2.6	9927	549	64	1.30	2.9	8914	493	46	0.90	3.3	7775	430	51	1.00	3.7	6943	384	52	1.15	4.4	5877	325	54	1.35	4.9	5298	293	55	1.50	5.6	4629	256	56	1.70	6.4	4014	222	56	2.00	3.2	8547	222.96	48	0.90	3.8	7236	188.75	52	1.05	4.1	6696	174.68	53	1.15	4.5	6002	156.56	54	1.30	5.0	5419	141.35	55	1.40	5.5	4921	128.38	55	1.55	6.2	4366	113.90	56	1.75	6.9	3962	103.36	56	1.95	8.0	3406	88.85	57	2.30	4.3	6321	222.96	53	1.20	5.1	5351	188.75	55	1.40	5.5	4952	174.68	55	1.50	6.1	4439	156.56	56	1.70	6.8	4007	141.35	56	1.85	7.5	3640	128.38	57	2.00	8.4	3229	113.90	57	2.30	9.3	2930	103.36	57	2.50	6.0	4499	158.68	21	0.90	6.8	4021	141.83	28	1.00	7.5	3620	127.68	30	1.10	6.2	4377	229.95	25	0.90	7.0	3867	203.16	29	1.05	8.3	3280	172.34	31	1.20	9.0	3020	158.68	32	1.30	10	2699	141.83	34	1.50	11	2430	127.68	34	1.65	12	2201	115.63	34	1.80	14	1951	102.53	35	2.00	15	1764	92.70	35	2.30	18	1495	78.57	34	2.70	20	1387	72.88	33	2.90	9.5	2870	150.78	15	0.95	11	2412	126.75	22	1.15	12	2217	116.48	23	1.25	14	1969	103.44	25	1.40	15	1760	92.48	25	1.60	17	1583	83.15	26	1.75	20	1374	72.17	26	2.00	22	1241	65.21	26	2.20	24	1140	59.92	25	2.50	27	1013	53.21	24	2.80	30	906	47.58	24	3.10	33	814	42.78	23	3.40	39	707	37.13	22	4.00	43	633	33.25	21	4.20	15	1785	93.79	3.4	0.80	17	1566	82.27	15	0.90	20	1387	72.88	17	1.05	22	1217	63.96	17	1.20	24	1154	60.61	18	1.25	27	1010	53.05	19	1.45	30	910	47.79	19	1.60	34	798	41.92	18	1.80	39	704	37.00	18	2.10	44	624	32.80	17	2.30	51	533	28.00	17	2.60																																																																																																						
1.1	25865	1291	128	1.40	1.2	22960	1146	128	1.60	1.4	20335	1015	128	1.80	1.6	18312	914	128	2.00	1.8	16248	811	128	2.25	1.9	14706	734	128	2.50	2.2	13283	663	128	2.75	0.63	45720	2282	128	0.80	0.70	41112	2052	128	0.90	0.78	36784	1836	128	1.00	1.0	28590	1427	128	1.30	1.2	24503	1223	128	1.50	1.2	23000	1148	128	1.60	1.5	19714	984	128	1.85	1.8	15828	790	128	2.30	2.0	14145	706	128	2.60	1.3	20378	1127	114	0.90	1.4	18226	1008	114	1.00	1.6	15839	876	114	1.15	1.9	13959	772	114	1.30	2.2	11898	658	114	1.50	2.8	9258	512	114	1.95	2.7	9637	533	65	1.35	3.1	8390	464	66	1.55	3.3	7721	427	67	1.65	3.9	6564	363	68	1.95	4.5	5786	320	69	2.25	5.1	5081	281	69	2.55	1.6	15803	874	25	0.80	1.9	13941	771	52	0.95	2.1	12350	683	60	1.05	2.3	11012	609	62	1.15	2.6	9927	549	64	1.30	2.9	8914	493	46	0.90	3.3	7775	430	51	1.00	3.7	6943	384	52	1.15	4.4	5877	325	54	1.35	4.9	5298	293	55	1.50	5.6	4629	256	56	1.70	6.4	4014	222	56	2.00	3.2	8547	222.96	48	0.90	3.8	7236	188.75	52	1.05	4.1	6696	174.68	53	1.15	4.5	6002	156.56	54	1.30	5.0	5419	141.35	55	1.40	5.5	4921	128.38	55	1.55	6.2	4366	113.90	56	1.75	6.9	3962	103.36	56	1.95	8.0	3406	88.85	57	2.30	4.3	6321	222.96	53	1.20	5.1	5351	188.75	55	1.40	5.5	4952	174.68	55	1.50	6.1	4439	156.56	56	1.70	6.8	4007	141.35	56	1.85	7.5	3640	128.38	57	2.00	8.4	3229	113.90	57	2.30	9.3	2930	103.36	57	2.50	6.0	4499	158.68	21	0.90	6.8	4021	141.83	28	1.00	7.5	3620	127.68	30	1.10	6.2	4377	229.95	25	0.90	7.0	3867	203.16	29	1.05	8.3	3280	172.34	31	1.20	9.0	3020	158.68	32	1.30	10	2699	141.83	34	1.50	11	2430	127.68	34	1.65	12	2201	115.63	34	1.80	14	1951	102.53	35	2.00	15	1764	92.70	35	2.30	18	1495	78.57	34	2.70	20	1387	72.88	33	2.90	9.5	2870	150.78	15	0.95	11	2412	126.75	22	1.15	12	2217	116.48	23	1.25	14	1969	103.44	25	1.40	15	1760	92.48	25	1.60	17	1583	83.15	26	1.75	20	1374	72.17	26	2.00	22	1241	65.21	26	2.20	24	1140	59.92	25	2.50	27	1013	53.21	24	2.80	30	906	47.58	24	3.10	33	814	42.78	23	3.40	39	707	37.13	22	4.00	43	633	33.25	21	4.20	15	1785	93.79	3.4	0.80	17	1566	82.27	15	0.90	20	1387	72.88	17	1.05	22	1217	63.96	17	1.20	24	1154	60.61	18	1.25	27	1010	53.05	19	1.45	30	910	47.79	19	1.60	34	798	41.92	18	1.80	39	704	37.00	18	2.10	44	624	32.80	17	2.30	51	533	28.00	17	2.60																																																																																																											
1.2	22960	1146	128	1.60	1.4	20335	1015	128	1.80	1.6	18312	914	128	2.00	1.8	16248	811	128	2.25	1.9	14706	734	128	2.50	2.2	13283	663	128	2.75	0.63	45720	2282	128	0.80	0.70	41112	2052	128	0.90	0.78	36784	1836	128	1.00	1.0	28590	1427	128	1.30	1.2	24503	1223	128	1.50	1.2	23000	1148	128	1.60	1.5	19714	984	128	1.85	1.8	15828	790	128	2.30	2.0	14145	706	128	2.60	1.3	20378	1127	114	0.90	1.4	18226	1008	114	1.00	1.6	15839	876	114	1.15	1.9	13959	772	114	1.30	2.2	11898	658	114	1.50	2.8	9258	512	114	1.95	2.7	9637	533	65	1.35	3.1	8390	464	66	1.55	3.3	7721	427	67	1.65	3.9	6564	363	68	1.95	4.5	5786	320	69	2.25	5.1	5081	281	69	2.55	1.6	15803	874	25	0.80	1.9	13941	771	52	0.95	2.1	12350	683	60	1.05	2.3	11012	609	62	1.15	2.6	9927	549	64	1.30	2.9	8914	493	46	0.90	3.3	7775	430	51	1.00	3.7	6943	384	52	1.15	4.4	5877	325	54	1.35	4.9	5298	293	55	1.50	5.6	4629	256	56	1.70	6.4	4014	222	56	2.00	3.2	8547	222.96	48	0.90	3.8	7236	188.75	52	1.05	4.1	6696	174.68	53	1.15	4.5	6002	156.56	54	1.30	5.0	5419	141.35	55	1.40	5.5	4921	128.38	55	1.55	6.2	4366	113.90	56	1.75	6.9	3962	103.36	56	1.95	8.0	3406	88.85	57	2.30	4.3	6321	222.96	53	1.20	5.1	5351	188.75	55	1.40	5.5	4952	174.68	55	1.50	6.1	4439	156.56	56	1.70	6.8	4007	141.35	56	1.85	7.5	3640	128.38	57	2.00	8.4	3229	113.90	57	2.30	9.3	2930	103.36	57	2.50	6.0	4499	158.68	21	0.90	6.8	4021	141.83	28	1.00	7.5	3620	127.68	30	1.10	6.2	4377	229.95	25	0.90	7.0	3867	203.16	29	1.05	8.3	3280	172.34	31	1.20	9.0	3020	158.68	32	1.30	10	2699	141.83	34	1.50	11	2430	127.68	34	1.65	12	2201	115.63	34	1.80	14	1951	102.53	35	2.00	15	1764	92.70	35	2.30	18	1495	78.57	34	2.70	20	1387	72.88	33	2.90	9.5	2870	150.78	15	0.95	11	2412	126.75	22	1.15	12	2217	116.48	23	1.25	14	1969	103.44	25	1.40	15	1760	92.48	25	1.60	17	1583	83.15	26	1.75	20	1374	72.17	26	2.00	22	1241	65.21	26	2.20	24	1140	59.92	25	2.50	27	1013	53.21	24	2.80	30	906	47.58	24	3.10	33	814	42.78	23	3.40	39	707	37.13	22	4.00	43	633	33.25	21	4.20	15	1785	93.79	3.4	0.80	17	1566	82.27	15	0.90	20	1387	72.88	17	1.05	22	1217	63.96	17	1.20	24	1154	60.61	18	1.25	27	1010	53.05	19	1.45	30	910	47.79	19	1.60	34	798	41.92	18	1.80	39	704	37.00	18	2.10	44	624	32.80	17	2.30	51	533	28.00	17	2.60																																																																																																																
1.4	20335	1015	128	1.80	1.6	18312	914	128	2.00	1.8	16248	811	128	2.25	1.9	14706	734	128	2.50	2.2	13283	663	128	2.75	0.63	45720	2282	128	0.80	0.70	41112	2052	128	0.90	0.78	36784	1836	128	1.00	1.0	28590	1427	128	1.30	1.2	24503	1223	128	1.50	1.2	23000	1148	128	1.60	1.5	19714	984	128	1.85	1.8	15828	790	128	2.30	2.0	14145	706	128	2.60	1.3	20378	1127	114	0.90	1.4	18226	1008	114	1.00	1.6	15839	876	114	1.15	1.9	13959	772	114	1.30	2.2	11898	658	114	1.50	2.8	9258	512	114	1.95	2.7	9637	533	65	1.35	3.1	8390	464	66	1.55	3.3	7721	427	67	1.65	3.9	6564	363	68	1.95	4.5	5786	320	69	2.25	5.1	5081	281	69	2.55	1.6	15803	874	25	0.80	1.9	13941	771	52	0.95	2.1	12350	683	60	1.05	2.3	11012	609	62	1.15	2.6	9927	549	64	1.30	2.9	8914	493	46	0.90	3.3	7775	430	51	1.00	3.7	6943	384	52	1.15	4.4	5877	325	54	1.35	4.9	5298	293	55	1.50	5.6	4629	256	56	1.70	6.4	4014	222	56	2.00	3.2	8547	222.96	48	0.90	3.8	7236	188.75	52	1.05	4.1	6696	174.68	53	1.15	4.5	6002	156.56	54	1.30	5.0	5419	141.35	55	1.40	5.5	4921	128.38	55	1.55	6.2	4366	113.90	56	1.75	6.9	3962	103.36	56	1.95	8.0	3406	88.85	57	2.30	4.3	6321	222.96	53	1.20	5.1	5351	188.75	55	1.40	5.5	4952	174.68	55	1.50	6.1	4439	156.56	56	1.70	6.8	4007	141.35	56	1.85	7.5	3640	128.38	57	2.00	8.4	3229	113.90	57	2.30	9.3	2930	103.36	57	2.50	6.0	4499	158.68	21	0.90	6.8	4021	141.83	28	1.00	7.5	3620	127.68	30	1.10	6.2	4377	229.95	25	0.90	7.0	3867	203.16	29	1.05	8.3	3280	172.34	31	1.20	9.0	3020	158.68	32	1.30	10	2699	141.83	34	1.50	11	2430	127.68	34	1.65	12	2201	115.63	34	1.80	14	1951	102.53	35	2.00	15	1764	92.70	35	2.30	18	1495	78.57	34	2.70	20	1387	72.88	33	2.90	9.5	2870	150.78	15	0.95	11	2412	126.75	22	1.15	12	2217	116.48	23	1.25	14	1969	103.44	25	1.40	15	1760	92.48	25	1.60	17	1583	83.15	26	1.75	20	1374	72.17	26	2.00	22	1241	65.21	26	2.20	24	1140	59.92	25	2.50	27	1013	53.21	24	2.80	30	906	47.58	24	3.10	33	814	42.78	23	3.40	39	707	37.13	22	4.00	43	633	33.25	21	4.20	15	1785	93.79	3.4	0.80	17	1566	82.27	15	0.90	20	1387	72.88	17	1.05	22	1217	63.96	17	1.20	24	1154	60.61	18	1.25	27	1010	53.05	19	1.45	30	910	47.79	19	1.60	34	798	41.92	18	1.80	39	704	37.00	18	2.10	44	624	32.80	17	2.30	51	533	28.00	17	2.60																																																																																																																					
1.6	18312	914	128	2.00	1.8	16248	811	128	2.25	1.9	14706	734	128	2.50	2.2	13283	663	128	2.75	0.63	45720	2282	128	0.80	0.70	41112	2052	128	0.90	0.78	36784	1836	128	1.00	1.0	28590	1427	128	1.30	1.2	24503	1223	128	1.50	1.2	23000	1148	128	1.60	1.5	19714	984	128	1.85	1.8	15828	790	128	2.30	2.0	14145	706	128	2.60	1.3	20378	1127	114	0.90	1.4	18226	1008	114	1.00	1.6	15839	876	114	1.15	1.9	13959	772	114	1.30	2.2	11898	658	114	1.50	2.8	9258	512	114	1.95	2.7	9637	533	65	1.35	3.1	8390	464	66	1.55	3.3	7721	427	67	1.65	3.9	6564	363	68	1.95	4.5	5786	320	69	2.25	5.1	5081	281	69	2.55	1.6	15803	874	25	0.80	1.9	13941	771	52	0.95	2.1	12350	683	60	1.05	2.3	11012	609	62	1.15	2.6	9927	549	64	1.30	2.9	8914	493	46	0.90	3.3	7775	430	51	1.00	3.7	6943	384	52	1.15	4.4	5877	325	54	1.35	4.9	5298	293	55	1.50	5.6	4629	256	56	1.70	6.4	4014	222	56	2.00	3.2	8547	222.96	48	0.90	3.8	7236	188.75	52	1.05	4.1	6696	174.68	53	1.15	4.5	6002	156.56	54	1.30	5.0	5419	141.35	55	1.40	5.5	4921	128.38	55	1.55	6.2	4366	113.90	56	1.75	6.9	3962	103.36	56	1.95	8.0	3406	88.85	57	2.30	4.3	6321	222.96	53	1.20	5.1	5351	188.75	55	1.40	5.5	4952	174.68	55	1.50	6.1	4439	156.56	56	1.70	6.8	4007	141.35	56	1.85	7.5	3640	128.38	57	2.00	8.4	3229	113.90	57	2.30	9.3	2930	103.36	57	2.50	6.0	4499	158.68	21	0.90	6.8	4021	141.83	28	1.00	7.5	3620	127.68	30	1.10	6.2	4377	229.95	25	0.90	7.0	3867	203.16	29	1.05	8.3	3280	172.34	31	1.20	9.0	3020	158.68	32	1.30	10	2699	141.83	34	1.50	11	2430	127.68	34	1.65	12	2201	115.63	34	1.80	14	1951	102.53	35	2.00	15	1764	92.70	35	2.30	18	1495	78.57	34	2.70	20	1387	72.88	33	2.90	9.5	2870	150.78	15	0.95	11	2412	126.75	22	1.15	12	2217	116.48	23	1.25	14	1969	103.44	25	1.40	15	1760	92.48	25	1.60	17	1583	83.15	26	1.75	20	1374	72.17	26	2.00	22	1241	65.21	26	2.20	24	1140	59.92	25	2.50	27	1013	53.21	24	2.80	30	906	47.58	24	3.10	33	814	42.78	23	3.40	39	707	37.13	22	4.00	43	633	33.25	21	4.20	15	1785	93.79	3.4	0.80	17	1566	82.27	15	0.90	20	1387	72.88	17	1.05	22	1217	63.96	17	1.20	24	1154	60.61	18	1.25	27	1010	53.05	19	1.45	30	910	47.79	19	1.60	34	798	41.92	18	1.80	39	704	37.00	18	2.10	44	624	32.80	17	2.30	51	533	28.00	17	2.60																																																																																																																										
1.8	16248	811	128	2.25	1.9	14706	734	128	2.50	2.2	13283	663	128	2.75	0.63	45720	2282	128	0.80	0.70	41112	2052	128	0.90	0.78	36784	1836	128	1.00	1.0	28590	1427	128	1.30	1.2	24503	1223	128	1.50	1.2	23000	1148	128	1.60	1.5	19714	984	128	1.85	1.8	15828	790	128	2.30	2.0	14145	706	128	2.60	1.3	20378	1127	114	0.90	1.4	18226	1008	114	1.00	1.6	15839	876	114	1.15	1.9	13959	772	114	1.30	2.2	11898	658	114	1.50	2.8	9258	512	114	1.95	2.7	9637	533	65	1.35	3.1	8390	464	66	1.55	3.3	7721	427	67	1.65	3.9	6564	363	68	1.95	4.5	5786	320	69	2.25	5.1	5081	281	69	2.55	1.6	15803	874	25	0.80	1.9	13941	771	52	0.95	2.1	12350	683	60	1.05	2.3	11012	609	62	1.15	2.6	9927	549	64	1.30	2.9	8914	493	46	0.90	3.3	7775	430	51	1.00	3.7	6943	384	52	1.15	4.4	5877	325	54	1.35	4.9	5298	293	55	1.50	5.6	4629	256	56	1.70	6.4	4014	222	56	2.00	3.2	8547	222.96	48	0.90	3.8	7236	188.75	52	1.05	4.1	6696	174.68	53	1.15	4.5	6002	156.56	54	1.30	5.0	5419	141.35	55	1.40	5.5	4921	128.38	55	1.55	6.2	4366	113.90	56	1.75	6.9	3962	103.36	56	1.95	8.0	3406	88.85	57	2.30	4.3	6321	222.96	53	1.20	5.1	5351	188.75	55	1.40	5.5	4952	174.68	55	1.50	6.1	4439	156.56	56	1.70	6.8	4007	141.35	56	1.85	7.5	3640	128.38	57	2.00	8.4	3229	113.90	57	2.30	9.3	2930	103.36	57	2.50	6.0	4499	158.68	21	0.90	6.8	4021	141.83	28	1.00	7.5	3620	127.68	30	1.10	6.2	4377	229.95	25	0.90	7.0	3867	203.16	29	1.05	8.3	3280	172.34	31	1.20	9.0	3020	158.68	32	1.30	10	2699	141.83	34	1.50	11	2430	127.68	34	1.65	12	2201	115.63	34	1.80	14	1951	102.53	35	2.00	15	1764	92.70	35	2.30	18	1495	78.57	34	2.70	20	1387	72.88	33	2.90	9.5	2870	150.78	15	0.95	11	2412	126.75	22	1.15	12	2217	116.48	23	1.25	14	1969	103.44	25	1.40	15	1760	92.48	25	1.60	17	1583	83.15	26	1.75	20	1374	72.17	26	2.00	22	1241	65.21	26	2.20	24	1140	59.92	25	2.50	27	1013	53.21	24	2.80	30	906	47.58	24	3.10	33	814	42.78	23	3.40	39	707	37.13	22	4.00	43	633	33.25	21	4.20	15	1785	93.79	3.4	0.80	17	1566	82.27	15	0.90	20	1387	72.88	17	1.05	22	1217	63.96	17	1.20	24	1154	60.61	18	1.25	27	1010	53.05	19	1.45	30	910	47.79	19	1.60	34	798	41.92	18	1.80	39	704	37.00	18	2.10	44	624	32.80	17	2.30	51	533	28.00	17	2.60																																																																																																																															
1.9	14706	734	128	2.50	2.2	13283	663	128	2.75	0.63	45720	2282	128	0.80	0.70	41112	2052	128	0.90	0.78	36784	1836	128	1.00	1.0	28590	1427	128	1.30	1.2	24503	1223	128	1.50	1.2	23000	1148	128	1.60	1.5	19714	984	128	1.85	1.8	15828	790	128	2.30	2.0	14145	706	128	2.60	1.3	20378	1127	114	0.90	1.4	18226	1008	114	1.00	1.6	15839	876	114	1.15	1.9	13959	772	114	1.30	2.2	11898	658	114	1.50	2.8	9258	512	114	1.95	2.7	9637	533	65	1.35	3.1	8390	464	66	1.55	3.3	7721	427	67	1.65	3.9	6564	363	68	1.95	4.5	5786	320	69	2.25	5.1	5081	281	69	2.55	1.6	15803	874	25	0.80	1.9	13941	771	52	0.95	2.1	12350	683	60	1.05	2.3	11012	609	62	1.15	2.6	9927	549	64	1.30	2.9	8914	493	46	0.90	3.3	7775	430	51	1.00	3.7	6943	384	52	1.15	4.4	5877	325	54	1.35	4.9	5298	293	55	1.50	5.6	4629	256	56	1.70	6.4	4014	222	56	2.00	3.2	8547	222.96	48	0.90	3.8	7236	188.75	52	1.05	4.1	6696	174.68	53	1.15	4.5	6002	156.56	54	1.30	5.0	5419	141.35	55	1.40	5.5	4921	128.38	55	1.55	6.2	4366	113.90	56	1.75	6.9	3962	103.36	56	1.95	8.0	3406	88.85	57	2.30	4.3	6321	222.96	53	1.20	5.1	5351	188.75	55	1.40	5.5	4952	174.68	55	1.50	6.1	4439	156.56	56	1.70	6.8	4007	141.35	56	1.85	7.5	3640	128.38	57	2.00	8.4	3229	113.90	57	2.30	9.3	2930	103.36	57	2.50	6.0	4499	158.68	21	0.90	6.8	4021	141.83	28	1.00	7.5	3620	127.68	30	1.10	6.2	4377	229.95	25	0.90	7.0	3867	203.16	29	1.05	8.3	3280	172.34	31	1.20	9.0	3020	158.68	32	1.30	10	2699	141.83	34	1.50	11	2430	127.68	34	1.65	12	2201	115.63	34	1.80	14	1951	102.53	35	2.00	15	1764	92.70	35	2.30	18	1495	78.57	34	2.70	20	1387	72.88	33	2.90	9.5	2870	150.78	15	0.95	11	2412	126.75	22	1.15	12	2217	116.48	23	1.25	14	1969	103.44	25	1.40	15	1760	92.48	25	1.60	17	1583	83.15	26	1.75	20	1374	72.17	26	2.00	22	1241	65.21	26	2.20	24	1140	59.92	25	2.50	27	1013	53.21	24	2.80	30	906	47.58	24	3.10	33	814	42.78	23	3.40	39	707	37.13	22	4.00	43	633	33.25	21	4.20	15	1785	93.79	3.4	0.80	17	1566	82.27	15	0.90	20	1387	72.88	17	1.05	22	1217	63.96	17	1.20	24	1154	60.61	18	1.25	27	1010	53.05	19	1.45	30	910	47.79	19	1.60	34	798	41.92	18	1.80	39	704	37.00	18	2.10	44	624	32.80	17	2.30	51	533	28.00	17	2.60																																																																																																																																				
2.2	13283	663	128	2.75	0.63	45720	2282	128	0.80	0.70	41112	2052	128	0.90	0.78	36784	1836	128	1.00	1.0	28590	1427	128	1.30	1.2	24503	1223	128	1.50	1.2	23000	1148	128	1.60	1.5	19714	984	128	1.85	1.8	15828	790	128	2.30	2.0	14145	706	128	2.60	1.3	20378	1127	114	0.90	1.4	18226	1008	114	1.00	1.6	15839	876	114	1.15	1.9	13959	772	114	1.30	2.2	11898	658	114	1.50	2.8	9258	512	114	1.95	2.7	9637	533	65	1.35	3.1	8390	464	66	1.55	3.3	7721	427	67	1.65	3.9	6564	363	68	1.95	4.5	5786	320	69	2.25	5.1	5081	281	69	2.55	1.6	15803	874	25	0.80	1.9	13941	771	52	0.95	2.1	12350	683	60	1.05	2.3	11012	609	62	1.15	2.6	9927	549	64	1.30	2.9	8914	493	46	0.90	3.3	7775	430	51	1.00	3.7	6943	384	52	1.15	4.4	5877	325	54	1.35	4.9	5298	293	55	1.50	5.6	4629	256	56	1.70	6.4	4014	222	56	2.00	3.2	8547	222.96	48	0.90	3.8	7236	188.75	52	1.05	4.1	6696	174.68	53	1.15	4.5	6002	156.56	54	1.30	5.0	5419	141.35	55	1.40	5.5	4921	128.38	55	1.55	6.2	4366	113.90	56	1.75	6.9	3962	103.36	56	1.95	8.0	3406	88.85	57	2.30	4.3	6321	222.96	53	1.20	5.1	5351	188.75	55	1.40	5.5	4952	174.68	55	1.50	6.1	4439	156.56	56	1.70	6.8	4007	141.35	56	1.85	7.5	3640	128.38	57	2.00	8.4	3229	113.90	57	2.30	9.3	2930	103.36	57	2.50	6.0	4499	158.68	21	0.90	6.8	4021	141.83	28	1.00	7.5	3620	127.68	30	1.10	6.2	4377	229.95	25	0.90	7.0	3867	203.16	29	1.05	8.3	3280	172.34	31	1.20	9.0	3020	158.68	32	1.30	10	2699	141.83	34	1.50	11	2430	127.68	34	1.65	12	2201	115.63	34	1.80	14	1951	102.53	35	2.00	15	1764	92.70	35	2.30	18	1495	78.57	34	2.70	20	1387	72.88	33	2.90	9.5	2870	150.78	15	0.95	11	2412	126.75	22	1.15	12	2217	116.48	23	1.25	14	1969	103.44	25	1.40	15	1760	92.48	25	1.60	17	1583	83.15	26	1.75	20	1374	72.17	26	2.00	22	1241	65.21	26	2.20	24	1140	59.92	25	2.50	27	1013	53.21	24	2.80	30	906	47.58	24	3.10	33	814	42.78	23	3.40	39	707	37.13	22	4.00	43	633	33.25	21	4.20	15	1785	93.79	3.4	0.80	17	1566	82.27	15	0.90	20	1387	72.88	17	1.05	22	1217	63.96	17	1.20	24	1154	60.61	18	1.25	27	1010	53.05	19	1.45	30	910	47.79	19	1.60	34	798	41.92	18	1.80	39	704	37.00	18	2.10	44	624	32.80	17	2.30	51	533	28.00	17	2.60																																																																																																																																									
0.63	45720	2282	128	0.80	0.70	41112	2052	128	0.90	0.78	36784	1836	128	1.00	1.0	28590	1427	128	1.30	1.2	24503	1223	128	1.50	1.2	23000	1148	128	1.60	1.5	19714	984	128	1.85	1.8	15828	790	128	2.30	2.0	14145	706	128	2.60	1.3	20378	1127	114	0.90	1.4	18226	1008	114	1.00	1.6	15839	876	114	1.15	1.9	13959	772	114	1.30	2.2	11898	658	114	1.50	2.8	9258	512	114	1.95	2.7	9637	533	65	1.35	3.1	8390	464	66	1.55	3.3	7721	427	67	1.65	3.9	6564	363	68	1.95	4.5	5786	320	69	2.25	5.1	5081	281	69	2.55	1.6	15803	874	25	0.80	1.9	13941	771	52	0.95	2.1	12350	683	60	1.05	2.3	11012	609	62	1.15	2.6	9927	549	64	1.30	2.9	8914	493	46	0.90	3.3	7775	430	51	1.00	3.7	6943	384	52	1.15	4.4	5877	325	54	1.35	4.9	5298	293	55	1.50	5.6	4629	256	56	1.70	6.4	4014	222	56	2.00	3.2	8547	222.96	48	0.90	3.8	7236	188.75	52	1.05	4.1	6696	174.68	53	1.15	4.5	6002	156.56	54	1.30	5.0	5419	141.35	55	1.40	5.5	4921	128.38	55	1.55	6.2	4366	113.90	56	1.75	6.9	3962	103.36	56	1.95	8.0	3406	88.85	57	2.30	4.3	6321	222.96	53	1.20	5.1	5351	188.75	55	1.40	5.5	4952	174.68	55	1.50	6.1	4439	156.56	56	1.70	6.8	4007	141.35	56	1.85	7.5	3640	128.38	57	2.00	8.4	3229	113.90	57	2.30	9.3	2930	103.36	57	2.50	6.0	4499	158.68	21	0.90	6.8	4021	141.83	28	1.00	7.5	3620	127.68	30	1.10	6.2	4377	229.95	25	0.90	7.0	3867	203.16	29	1.05	8.3	3280	172.34	31	1.20	9.0	3020	158.68	32	1.30	10	2699	141.83	34	1.50	11	2430	127.68	34	1.65	12	2201	115.63	34	1.80	14	1951	102.53	35	2.00	15	1764	92.70	35	2.30	18	1495	78.57	34	2.70	20	1387	72.88	33	2.90	9.5	2870	150.78	15	0.95	11	2412	126.75	22	1.15	12	2217	116.48	23	1.25	14	1969	103.44	25	1.40	15	1760	92.48	25	1.60	17	1583	83.15	26	1.75	20	1374	72.17	26	2.00	22	1241	65.21	26	2.20	24	1140	59.92	25	2.50	27	1013	53.21	24	2.80	30	906	47.58	24	3.10	33	814	42.78	23	3.40	39	707	37.13	22	4.00	43	633	33.25	21	4.20	15	1785	93.79	3.4	0.80	17	1566	82.27	15	0.90	20	1387	72.88	17	1.05	22	1217	63.96	17	1.20	24	1154	60.61	18	1.25	27	1010	53.05	19	1.45	30	910	47.79	19	1.60	34	798	41.92	18	1.80	39	704	37.00	18	2.10	44	624	32.80	17	2.30	51	533	28.00	17	2.60																																																																																																																																														
0.70	41112	2052	128	0.90	0.78	36784	1836	128	1.00	1.0	28590	1427	128	1.30	1.2	24503	1223	128	1.50	1.2	23000	1148	128	1.60	1.5	19714	984	128	1.85	1.8	15828	790	128	2.30	2.0	14145	706	128	2.60	1.3	20378	1127	114	0.90	1.4	18226	1008	114	1.00	1.6	15839	876	114	1.15	1.9	13959	772	114	1.30	2.2	11898	658	114	1.50	2.8	9258	512	114	1.95	2.7	9637	533	65	1.35	3.1	8390	464	66	1.55	3.3	7721	427	67	1.65	3.9	6564	363	68	1.95	4.5	5786	320	69	2.25	5.1	5081	281	69	2.55	1.6	15803	874	25	0.80	1.9	13941	771	52	0.95	2.1	12350	683	60	1.05	2.3	11012	609	62	1.15	2.6	9927	549	64	1.30	2.9	8914	493	46	0.90	3.3	7775	430	51	1.00	3.7	6943	384	52	1.15	4.4	5877	325	54	1.35	4.9	5298	293	55	1.50	5.6	4629	256	56	1.70	6.4	4014	222	56	2.00	3.2	8547	222.96	48	0.90	3.8	7236	188.75	52	1.05	4.1	6696	174.68	53	1.15	4.5	6002	156.56	54	1.30	5.0	5419	141.35	55	1.40	5.5	4921	128.38	55	1.55	6.2	4366	113.90	56	1.75	6.9	3962	103.36	56	1.95	8.0	3406	88.85	57	2.30	4.3	6321	222.96	53	1.20	5.1	5351	188.75	55	1.40	5.5	4952	174.68	55	1.50	6.1	4439	156.56	56	1.70	6.8	4007	141.35	56	1.85	7.5	3640	128.38	57	2.00	8.4	3229	113.90	57	2.30	9.3	2930	103.36	57	2.50	6.0	4499	158.68	21	0.90	6.8	4021	141.83	28	1.00	7.5	3620	127.68	30	1.10	6.2	4377	229.95	25	0.90	7.0	3867	203.16	29	1.05	8.3	3280	172.34	31	1.20	9.0	3020	158.68	32	1.30	10	2699	141.83	34	1.50	11	2430	127.68	34	1.65	12	2201	115.63	34	1.80	14	1951	102.53	35	2.00	15	1764	92.70	35	2.30	18	1495	78.57	34	2.70	20	1387	72.88	33	2.90	9.5	2870	150.78	15	0.95	11	2412	126.75	22	1.15	12	2217	116.48	23	1.25	14	1969	103.44	25	1.40	15	1760	92.48	25	1.60	17	1583	83.15	26	1.75	20	1374	72.17	26	2.00	22	1241	65.21	26	2.20	24	1140	59.92	25	2.50	27	1013	53.21	24	2.80	30	906	47.58	24	3.10	33	814	42.78	23	3.40	39	707	37.13	22	4.00	43	633	33.25	21	4.20	15	1785	93.79	3.4	0.80	17	1566	82.27	15	0.90	20	1387	72.88	17	1.05	22	1217	63.96	17	1.20	24	1154	60.61	18	1.25	27	1010	53.05	19	1.45	30	910	47.79	19	1.60	34	798	41.92	18	1.80	39	704	37.00	18	2.10	44	624	32.80	17	2.30	51	533	28.00	17	2.60																																																																																																																																																			
0.78	36784	1836	128	1.00	1.0	28590	1427	128	1.30	1.2	24503	1223	128	1.50	1.2	23000	1148	128	1.60	1.5	19714	984	128	1.85	1.8	15828	790	128	2.30	2.0	14145	706	128	2.60	1.3	20378	1127	114	0.90	1.4	18226	1008	114	1.00	1.6	15839	876	114	1.15	1.9	13959	772	114	1.30	2.2	11898	658	114	1.50	2.8	9258	512	114	1.95	2.7	9637	533	65	1.35	3.1	8390	464	66	1.55	3.3	7721	427	67	1.65	3.9	6564	363	68	1.95	4.5	5786	320	69	2.25	5.1	5081	281	69	2.55	1.6	15803	874	25	0.80	1.9	13941	771	52	0.95	2.1	12350	683	60	1.05	2.3	11012	609	62	1.15	2.6	9927	549	64	1.30	2.9	8914	493	46	0.90	3.3	7775	430	51	1.00	3.7	6943	384	52	1.15	4.4	5877	325	54	1.35	4.9	5298	293	55	1.50	5.6	4629	256	56	1.70	6.4	4014	222	56	2.00	3.2	8547	222.96	48	0.90	3.8	7236	188.75	52	1.05	4.1	6696	174.68	53	1.15	4.5	6002	156.56	54	1.30	5.0	5419	141.35	55	1.40	5.5	4921	128.38	55	1.55	6.2	4366	113.90	56	1.75	6.9	3962	103.36	56	1.95	8.0	3406	88.85	57	2.30	4.3	6321	222.96	53	1.20	5.1	5351	188.75	55	1.40	5.5	4952	174.68	55	1.50	6.1	4439	156.56	56	1.70	6.8	4007	141.35	56	1.85	7.5	3640	128.38	57	2.00	8.4	3229	113.90	57	2.30	9.3	2930	103.36	57	2.50	6.0	4499	158.68	21	0.90	6.8	4021	141.83	28	1.00	7.5	3620	127.68	30	1.10	6.2	4377	229.95	25	0.90	7.0	3867	203.16	29	1.05	8.3	3280	172.34	31	1.20	9.0	3020	158.68	32	1.30	10	2699	141.83	34	1.50	11	2430	127.68	34	1.65	12	2201	115.63	34	1.80	14	1951	102.53	35	2.00	15	1764	92.70	35	2.30	18	1495	78.57	34	2.70	20	1387	72.88	33	2.90	9.5	2870	150.78	15	0.95	11	2412	126.75	22	1.15	12	2217	116.48	23	1.25	14	1969	103.44	25	1.40	15	1760	92.48	25	1.60	17	1583	83.15	26	1.75	20	1374	72.17	26	2.00	22	1241	65.21	26	2.20	24	1140	59.92	25	2.50	27	1013	53.21	24	2.80	30	906	47.58	24	3.10	33	814	42.78	23	3.40	39	707	37.13	22	4.00	43	633	33.25	21	4.20	15	1785	93.79	3.4	0.80	17	1566	82.27	15	0.90	20	1387	72.88	17	1.05	22	1217	63.96	17	1.20	24	1154	60.61	18	1.25	27	1010	53.05	19	1.45	30	910	47.79	19	1.60	34	798	41.92	18	1.80	39	704	37.00	18	2.10	44	624	32.80	17	2.30	51	533	28.00	17	2.60																																																																																																																																																								
1.0	28590	1427	128	1.30	1.2	24503	1223	128	1.50	1.2	23000	1148	128	1.60	1.5	19714	984	128	1.85	1.8	15828	790	128	2.30	2.0	14145	706	128	2.60	1.3	20378	1127	114	0.90	1.4	18226	1008	114	1.00	1.6	15839	876	114	1.15	1.9	13959	772	114	1.30	2.2	11898	658	114	1.50	2.8	9258	512	114	1.95	2.7	9637	533	65	1.35	3.1	8390	464	66	1.55	3.3	7721	427	67	1.65	3.9	6564	363	68	1.95	4.5	5786	320	69	2.25	5.1	5081	281	69	2.55	1.6	15803	874	25	0.80	1.9	13941	771	52	0.95	2.1	12350	683	60	1.05	2.3	11012	609	62	1.15	2.6	9927	549	64	1.30	2.9	8914	493	46	0.90	3.3	7775	430	51	1.00	3.7	6943	384	52	1.15	4.4	5877	325	54	1.35	4.9	5298	293	55	1.50	5.6	4629	256	56	1.70	6.4	4014	222	56	2.00	3.2	8547	222.96	48	0.90	3.8	7236	188.75	52	1.05	4.1	6696	174.68	53	1.15	4.5	6002	156.56	54	1.30	5.0	5419	141.35	55	1.40	5.5	4921	128.38	55	1.55	6.2	4366	113.90	56	1.75	6.9	3962	103.36	56	1.95	8.0	3406	88.85	57	2.30	4.3	6321	222.96	53	1.20	5.1	5351	188.75	55	1.40	5.5	4952	174.68	55	1.50	6.1	4439	156.56	56	1.70	6.8	4007	141.35	56	1.85	7.5	3640	128.38	57	2.00	8.4	3229	113.90	57	2.30	9.3	2930	103.36	57	2.50	6.0	4499	158.68	21	0.90	6.8	4021	141.83	28	1.00	7.5	3620	127.68	30	1.10	6.2	4377	229.95	25	0.90	7.0	3867	203.16	29	1.05	8.3	3280	172.34	31	1.20	9.0	3020	158.68	32	1.30	10	2699	141.83	34	1.50	11	2430	127.68	34	1.65	12	2201	115.63	34	1.80	14	1951	102.53	35	2.00	15	1764	92.70	35	2.30	18	1495	78.57	34	2.70	20	1387	72.88	33	2.90	9.5	2870	150.78	15	0.95	11	2412	126.75	22	1.15	12	2217	116.48	23	1.25	14	1969	103.44	25	1.40	15	1760	92.48	25	1.60	17	1583	83.15	26	1.75	20	1374	72.17	26	2.00	22	1241	65.21	26	2.20	24	1140	59.92	25	2.50	27	1013	53.21	24	2.80	30	906	47.58	24	3.10	33	814	42.78	23	3.40	39	707	37.13	22	4.00	43	633	33.25	21	4.20	15	1785	93.79	3.4	0.80	17	1566	82.27	15	0.90	20	1387	72.88	17	1.05	22	1217	63.96	17	1.20	24	1154	60.61	18	1.25	27	1010	53.05	19	1.45	30	910	47.79	19	1.60	34	798	41.92	18	1.80	39	704	37.00	18	2.10	44	624	32.80	17	2.30	51	533	28.00	17	2.60																																																																																																																																																													
1.2	24503	1223	128	1.50	1.2	23000	1148	128	1.60	1.5	19714	984	128	1.85	1.8	15828	790	128	2.30	2.0	14145	706	128	2.60	1.3	20378	1127	114	0.90	1.4	18226	1008	114	1.00	1.6	15839	876	114	1.15	1.9	13959	772	114	1.30	2.2	11898	658	114	1.50	2.8	9258	512	114	1.95	2.7	9637	533	65	1.35	3.1	8390	464	66	1.55	3.3	7721	427	67	1.65	3.9	6564	363	68	1.95	4.5	5786	320	69	2.25	5.1	5081	281	69	2.55	1.6	15803	874	25	0.80	1.9	13941	771	52	0.95	2.1	12350	683	60	1.05	2.3	11012	609	62	1.15	2.6	9927	549	64	1.30	2.9	8914	493	46	0.90	3.3	7775	430	51	1.00	3.7	6943	384	52	1.15	4.4	5877	325	54	1.35	4.9	5298	293	55	1.50	5.6	4629	256	56	1.70	6.4	4014	222	56	2.00	3.2	8547	222.96	48	0.90	3.8	7236	188.75	52	1.05	4.1	6696	174.68	53	1.15	4.5	6002	156.56	54	1.30	5.0	5419	141.35	55	1.40	5.5	4921	128.38	55	1.55	6.2	4366	113.90	56	1.75	6.9	3962	103.36	56	1.95	8.0	3406	88.85	57	2.30	4.3	6321	222.96	53	1.20	5.1	5351	188.75	55	1.40	5.5	4952	174.68	55	1.50	6.1	4439	156.56	56	1.70	6.8	4007	141.35	56	1.85	7.5	3640	128.38	57	2.00	8.4	3229	113.90	57	2.30	9.3	2930	103.36	57	2.50	6.0	4499	158.68	21	0.90	6.8	4021	141.83	28	1.00	7.5	3620	127.68	30	1.10	6.2	4377	229.95	25	0.90	7.0	3867	203.16	29	1.05	8.3	3280	172.34	31	1.20	9.0	3020	158.68	32	1.30	10	2699	141.83	34	1.50	11	2430	127.68	34	1.65	12	2201	115.63	34	1.80	14	1951	102.53	35	2.00	15	1764	92.70	35	2.30	18	1495	78.57	34	2.70	20	1387	72.88	33	2.90	9.5	2870	150.78	15	0.95	11	2412	126.75	22	1.15	12	2217	116.48	23	1.25	14	1969	103.44	25	1.40	15	1760	92.48	25	1.60	17	1583	83.15	26	1.75	20	1374	72.17	26	2.00	22	1241	65.21	26	2.20	24	1140	59.92	25	2.50	27	1013	53.21	24	2.80	30	906	47.58	24	3.10	33	814	42.78	23	3.40	39	707	37.13	22	4.00	43	633	33.25	21	4.20	15	1785	93.79	3.4	0.80	17	1566	82.27	15	0.90	20	1387	72.88	17	1.05	22	1217	63.96	17	1.20	24	1154	60.61	18	1.25	27	1010	53.05	19	1.45	30	910	47.79	19	1.60	34	798	41.92	18	1.80	39	704	37.00	18	2.10	44	624	32.80	17	2.30	51	533	28.00	17	2.60																																																																																																																																																																		
1.2	23000	1148	128	1.60	1.5	19714	984	128	1.85	1.8	15828	790	128	2.30	2.0	14145	706	128	2.60	1.3	20378	1127	114	0.90	1.4	18226	1008	114	1.00	1.6	15839	876	114	1.15	1.9	13959	772	114	1.30	2.2	11898	658	114	1.50	2.8	9258	512	114	1.95	2.7	9637	533	65	1.35	3.1	8390	464	66	1.55	3.3	7721	427	67	1.65	3.9	6564	363	68	1.95	4.5	5786	320	69	2.25	5.1	5081	281	69	2.55	1.6	15803	874	25	0.80	1.9	13941	771	52	0.95	2.1	12350	683	60	1.05	2.3	11012	609	62	1.15	2.6	9927	549	64	1.30	2.9	8914	493	46	0.90	3.3	7775	430	51	1.00	3.7	6943	384	52	1.15	4.4	5877	325	54	1.35	4.9	5298	293	55	1.50	5.6	4629	256	56	1.70	6.4	4014	222	56	2.00	3.2	8547	222.96	48	0.90	3.8	7236	188.75	52	1.05	4.1	6696	174.68	53	1.15	4.5	6002	156.56	54	1.30	5.0	5419	141.35	55	1.40	5.5	4921	128.38	55	1.55	6.2	4366	113.90	56	1.75	6.9	3962	103.36	56	1.95	8.0	3406	88.85	57	2.30	4.3	6321	222.96	53	1.20	5.1	5351	188.75	55	1.40	5.5	4952	174.68	55	1.50	6.1	4439	156.56	56	1.70	6.8	4007	141.35	56	1.85	7.5	3640	128.38	57	2.00	8.4	3229	113.90	57	2.30	9.3	2930	103.36	57	2.50	6.0	4499	158.68	21	0.90	6.8	4021	141.83	28	1.00	7.5	3620	127.68	30	1.10	6.2	4377	229.95	25	0.90	7.0	3867	203.16	29	1.05	8.3	3280	172.34	31	1.20	9.0	3020	158.68	32	1.30	10	2699	141.83	34	1.50	11	2430	127.68	34	1.65	12	2201	115.63	34	1.80	14	1951	102.53	35	2.00	15	1764	92.70	35	2.30	18	1495	78.57	34	2.70	20	1387	72.88	33	2.90	9.5	2870	150.78	15	0.95	11	2412	126.75	22	1.15	12	2217	116.48	23	1.25	14	1969	103.44	25	1.40	15	1760	92.48	25	1.60	17	1583	83.15	26	1.75	20	1374	72.17	26	2.00	22	1241	65.21	26	2.20	24	1140	59.92	25	2.50	27	1013	53.21	24	2.80	30	906	47.58	24	3.10	33	814	42.78	23	3.40	39	707	37.13	22	4.00	43	633	33.25	21	4.20	15	1785	93.79	3.4	0.80	17	1566	82.27	15	0.90	20	1387	72.88	17	1.05	22	1217	63.96	17	1.20	24	1154	60.61	18	1.25	27	1010	53.05	19	1.45	30	910	47.79	19	1.60	34	798	41.92	18	1.80	39	704	37.00	18	2.10	44	624	32.80	17	2.30	51	533	28.00	17	2.60																																																																																																																																																																							
1.5	19714	984	128	1.85	1.8	15828	790	128	2.30	2.0	14145	706	128	2.60	1.3	20378	1127	114	0.90	1.4	18226	1008	114	1.00	1.6	15839	876	114	1.15	1.9	13959	772	114	1.30	2.2	11898	658	114	1.50	2.8	9258	512	114	1.95	2.7	9637	533	65	1.35	3.1	8390	464	66	1.55	3.3	7721	427	67	1.65	3.9	6564	363	68	1.95	4.5	5786	320	69	2.25	5.1	5081	281	69	2.55	1.6	15803	874	25	0.80	1.9	13941	771	52	0.95	2.1	12350	683	60	1.05	2.3	11012	609	62	1.15	2.6	9927	549	64	1.30	2.9	8914	493	46	0.90	3.3	7775	430	51	1.00	3.7	6943	384	52	1.15	4.4	5877	325	54	1.35	4.9	5298	293	55	1.50	5.6	4629	256	56	1.70	6.4	4014	222	56	2.00	3.2	8547	222.96	48	0.90	3.8	7236	188.75	52	1.05	4.1	6696	174.68	53	1.15	4.5	6002	156.56	54	1.30	5.0	5419	141.35	55	1.40	5.5	4921	128.38	55	1.55	6.2	4366	113.90	56	1.75	6.9	3962	103.36	56	1.95	8.0	3406	88.85	57	2.30	4.3	6321	222.96	53	1.20	5.1	5351	188.75	55	1.40	5.5	4952	174.68	55	1.50	6.1	4439	156.56	56	1.70	6.8	4007	141.35	56	1.85	7.5	3640	128.38	57	2.00	8.4	3229	113.90	57	2.30	9.3	2930	103.36	57	2.50	6.0	4499	158.68	21	0.90	6.8	4021	141.83	28	1.00	7.5	3620	127.68	30	1.10	6.2	4377	229.95	25	0.90	7.0	3867	203.16	29	1.05	8.3	3280	172.34	31	1.20	9.0	3020	158.68	32	1.30	10	2699	141.83	34	1.50	11	2430	127.68	34	1.65	12	2201	115.63	34	1.80	14	1951	102.53	35	2.00	15	1764	92.70	35	2.30	18	1495	78.57	34	2.70	20	1387	72.88	33	2.90	9.5	2870	150.78	15	0.95	11	2412	126.75	22	1.15	12	2217	116.48	23	1.25	14	1969	103.44	25	1.40	15	1760	92.48	25	1.60	17	1583	83.15	26	1.75	20	1374	72.17	26	2.00	22	1241	65.21	26	2.20	24	1140	59.92	25	2.50	27	1013	53.21	24	2.80	30	906	47.58	24	3.10	33	814	42.78	23	3.40	39	707	37.13	22	4.00	43	633	33.25	21	4.20	15	1785	93.79	3.4	0.80	17	1566	82.27	15	0.90	20	1387	72.88	17	1.05	22	1217	63.96	17	1.20	24	1154	60.61	18	1.25	27	1010	53.05	19	1.45	30	910	47.79	19	1.60	34	798	41.92	18	1.80	39	704	37.00	18	2.10	44	624	32.80	17	2.30	51	533	28.00	17	2.60																																																																																																																																																																												
1.8	15828	790	128	2.30	2.0	14145	706	128	2.60	1.3	20378	1127	114	0.90	1.4	18226	1008	114	1.00	1.6	15839	876	114	1.15	1.9	13959	772	114	1.30	2.2	11898	658	114	1.50	2.8	9258	512	114	1.95	2.7	9637	533	65	1.35	3.1	8390	464	66	1.55	3.3	7721	427	67	1.65	3.9	6564	363	68	1.95	4.5	5786	320	69	2.25	5.1	5081	281	69	2.55	1.6	15803	874	25	0.80	1.9	13941	771	52	0.95	2.1	12350	683	60	1.05	2.3	11012	609	62	1.15	2.6	9927	549	64	1.30	2.9	8914	493	46	0.90	3.3	7775	430	51	1.00	3.7	6943	384	52	1.15	4.4	5877	325	54	1.35	4.9	5298	293	55	1.50	5.6	4629	256	56	1.70	6.4	4014	222	56	2.00	3.2	8547	222.96	48	0.90	3.8	7236	188.75	52	1.05	4.1	6696	174.68	53	1.15	4.5	6002	156.56	54	1.30	5.0	5419	141.35	55	1.40	5.5	4921	128.38	55	1.55	6.2	4366	113.90	56	1.75	6.9	3962	103.36	56	1.95	8.0	3406	88.85	57	2.30	4.3	6321	222.96	53	1.20	5.1	5351	188.75	55	1.40	5.5	4952	174.68	55	1.50	6.1	4439	156.56	56	1.70	6.8	4007	141.35	56	1.85	7.5	3640	128.38	57	2.00	8.4	3229	113.90	57	2.30	9.3	2930	103.36	57	2.50	6.0	4499	158.68	21	0.90	6.8	4021	141.83	28	1.00	7.5	3620	127.68	30	1.10	6.2	4377	229.95	25	0.90	7.0	3867	203.16	29	1.05	8.3	3280	172.34	31	1.20	9.0	3020	158.68	32	1.30	10	2699	141.83	34	1.50	11	2430	127.68	34	1.65	12	2201	115.63	34	1.80	14	1951	102.53	35	2.00	15	1764	92.70	35	2.30	18	1495	78.57	34	2.70	20	1387	72.88	33	2.90	9.5	2870	150.78	15	0.95	11	2412	126.75	22	1.15	12	2217	116.48	23	1.25	14	1969	103.44	25	1.40	15	1760	92.48	25	1.60	17	1583	83.15	26	1.75	20	1374	72.17	26	2.00	22	1241	65.21	26	2.20	24	1140	59.92	25	2.50	27	1013	53.21	24	2.80	30	906	47.58	24	3.10	33	814	42.78	23	3.40	39	707	37.13	22	4.00	43	633	33.25	21	4.20	15	1785	93.79	3.4	0.80	17	1566	82.27	15	0.90	20	1387	72.88	17	1.05	22	1217	63.96	17	1.20	24	1154	60.61	18	1.25	27	1010	53.05	19	1.45	30	910	47.79	19	1.60	34	798	41.92	18	1.80	39	704	37.00	18	2.10	44	624	32.80	17	2.30	51	533	28.00	17	2.60																																																																																																																																																																																	
2.0	14145	706	128	2.60	1.3	20378	1127	114	0.90	1.4	18226	1008	114	1.00	1.6	15839	876	114	1.15	1.9	13959	772	114	1.30	2.2	11898	658	114	1.50	2.8	9258	512	114	1.95	2.7	9637	533	65	1.35	3.1	8390	464	66	1.55	3.3	7721	427	67	1.65	3.9	6564	363	68	1.95	4.5	5786	320	69	2.25	5.1	5081	281	69	2.55	1.6	15803	874	25	0.80	1.9	13941	771	52	0.95	2.1	12350	683	60	1.05	2.3	11012	609	62	1.15	2.6	9927	549	64	1.30	2.9	8914	493	46	0.90	3.3	7775	430	51	1.00	3.7	6943	384	52	1.15	4.4	5877	325	54	1.35	4.9	5298	293	55	1.50	5.6	4629	256	56	1.70	6.4	4014	222	56	2.00	3.2	8547	222.96	48	0.90	3.8	7236	188.75	52	1.05	4.1	6696	174.68	53	1.15	4.5	6002	156.56	54	1.30	5.0	5419	141.35	55	1.40	5.5	4921	128.38	55	1.55	6.2	4366	113.90	56	1.75	6.9	3962	103.36	56	1.95	8.0	3406	88.85	57	2.30	4.3	6321	222.96	53	1.20	5.1	5351	188.75	55	1.40	5.5	4952	174.68	55	1.50	6.1	4439	156.56	56	1.70	6.8	4007	141.35	56	1.85	7.5	3640	128.38	57	2.00	8.4	3229	113.90	57	2.30	9.3	2930	103.36	57	2.50	6.0	4499	158.68	21	0.90	6.8	4021	141.83	28	1.00	7.5	3620	127.68	30	1.10	6.2	4377	229.95	25	0.90	7.0	3867	203.16	29	1.05	8.3	3280	172.34	31	1.20	9.0	3020	158.68	32	1.30	10	2699	141.83	34	1.50	11	2430	127.68	34	1.65	12	2201	115.63	34	1.80	14	1951	102.53	35	2.00	15	1764	92.70	35	2.30	18	1495	78.57	34	2.70	20	1387	72.88	33	2.90	9.5	2870	150.78	15	0.95	11	2412	126.75	22	1.15	12	2217	116.48	23	1.25	14	1969	103.44	25	1.40	15	1760	92.48	25	1.60	17	1583	83.15	26	1.75	20	1374	72.17	26	2.00	22	1241	65.21	26	2.20	24	1140	59.92	25	2.50	27	1013	53.21	24	2.80	30	906	47.58	24	3.10	33	814	42.78	23	3.40	39	707	37.13	22	4.00	43	633	33.25	21	4.20	15	1785	93.79	3.4	0.80	17	1566	82.27	15	0.90	20	1387	72.88	17	1.05	22	1217	63.96	17	1.20	24	1154	60.61	18	1.25	27	1010	53.05	19	1.45	30	910	47.79	19	1.60	34	798	41.92	18	1.80	39	704	37.00	18	2.10	44	624	32.80	17	2.30	51	533	28.00	17	2.60																																																																																																																																																																																						
1.3	20378	1127	114	0.90	1.4	18226	1008	114	1.00	1.6	15839	876	114	1.15	1.9	13959	772	114	1.30	2.2	11898	658	114	1.50	2.8	9258	512	114	1.95	2.7	9637	533	65	1.35	3.1	8390	464	66	1.55	3.3	7721	427	67	1.65	3.9	6564	363	68	1.95	4.5	5786	320	69	2.25	5.1	5081	281	69	2.55	1.6	15803	874	25	0.80	1.9	13941	771	52	0.95	2.1	12350	683	60	1.05	2.3	11012	609	62	1.15	2.6	9927	549	64	1.30	2.9	8914	493	46	0.90	3.3	7775	430	51	1.00	3.7	6943	384	52	1.15	4.4	5877	325	54	1.35	4.9	5298	293	55	1.50	5.6	4629	256	56	1.70	6.4	4014	222	56	2.00	3.2	8547	222.96	48	0.90	3.8	7236	188.75	52	1.05	4.1	6696	174.68	53	1.15	4.5	6002	156.56	54	1.30	5.0	5419	141.35	55	1.40	5.5	4921	128.38	55	1.55	6.2	4366	113.90	56	1.75	6.9	3962	103.36	56	1.95	8.0	3406	88.85	57	2.30	4.3	6321	222.96	53	1.20	5.1	5351	188.75	55	1.40	5.5	4952	174.68	55	1.50	6.1	4439	156.56	56	1.70	6.8	4007	141.35	56	1.85	7.5	3640	128.38	57	2.00	8.4	3229	113.90	57	2.30	9.3	2930	103.36	57	2.50	6.0	4499	158.68	21	0.90	6.8	4021	141.83	28	1.00	7.5	3620	127.68	30	1.10	6.2	4377	229.95	25	0.90	7.0	3867	203.16	29	1.05	8.3	3280	172.34	31	1.20	9.0	3020	158.68	32	1.30	10	2699	141.83	34	1.50	11	2430	127.68	34	1.65	12	2201	115.63	34	1.80	14	1951	102.53	35	2.00	15	1764	92.70	35	2.30	18	1495	78.57	34	2.70	20	1387	72.88	33	2.90	9.5	2870	150.78	15	0.95	11	2412	126.75	22	1.15	12	2217	116.48	23	1.25	14	1969	103.44	25	1.40	15	1760	92.48	25	1.60	17	1583	83.15	26	1.75	20	1374	72.17	26	2.00	22	1241	65.21	26	2.20	24	1140	59.92	25	2.50	27	1013	53.21	24	2.80	30	906	47.58	24	3.10	33	814	42.78	23	3.40	39	707	37.13	22	4.00	43	633	33.25	21	4.20	15	1785	93.79	3.4	0.80	17	1566	82.27	15	0.90	20	1387	72.88	17	1.05	22	1217	63.96	17	1.20	24	1154	60.61	18	1.25	27	1010	53.05	19	1.45	30	910	47.79	19	1.60	34	798	41.92	18	1.80	39	704	37.00	18	2.10	44	624	32.80	17	2.30	51	533	28.00	17	2.60																																																																																																																																																																																											
1.4	18226	1008	114	1.00	1.6	15839	876	114	1.15	1.9	13959	772	114	1.30	2.2	11898	658	114	1.50	2.8	9258	512	114	1.95	2.7	9637	533	65	1.35	3.1	8390	464	66	1.55	3.3	7721	427	67	1.65	3.9	6564	363	68	1.95	4.5	5786	320	69	2.25	5.1	5081	281	69	2.55	1.6	15803	874	25	0.80	1.9	13941	771	52	0.95	2.1	12350	683	60	1.05	2.3	11012	609	62	1.15	2.6	9927	549	64	1.30	2.9	8914	493	46	0.90	3.3	7775	430	51	1.00	3.7	6943	384	52	1.15	4.4	5877	325	54	1.35	4.9	5298	293	55	1.50	5.6	4629	256	56	1.70	6.4	4014	222	56	2.00	3.2	8547	222.96	48	0.90	3.8	7236	188.75	52	1.05	4.1	6696	174.68	53	1.15	4.5	6002	156.56	54	1.30	5.0	5419	141.35	55	1.40	5.5	4921	128.38	55	1.55	6.2	4366	113.90	56	1.75	6.9	3962	103.36	56	1.95	8.0	3406	88.85	57	2.30	4.3	6321	222.96	53	1.20	5.1	5351	188.75	55	1.40	5.5	4952	174.68	55	1.50	6.1	4439	156.56	56	1.70	6.8	4007	141.35	56	1.85	7.5	3640	128.38	57	2.00	8.4	3229	113.90	57	2.30	9.3	2930	103.36	57	2.50	6.0	4499	158.68	21	0.90	6.8	4021	141.83	28	1.00	7.5	3620	127.68	30	1.10	6.2	4377	229.95	25	0.90	7.0	3867	203.16	29	1.05	8.3	3280	172.34	31	1.20	9.0	3020	158.68	32	1.30	10	2699	141.83	34	1.50	11	2430	127.68	34	1.65	12	2201	115.63	34	1.80	14	1951	102.53	35	2.00	15	1764	92.70	35	2.30	18	1495	78.57	34	2.70	20	1387	72.88	33	2.90	9.5	2870	150.78	15	0.95	11	2412	126.75	22	1.15	12	2217	116.48	23	1.25	14	1969	103.44	25	1.40	15	1760	92.48	25	1.60	17	1583	83.15	26	1.75	20	1374	72.17	26	2.00	22	1241	65.21	26	2.20	24	1140	59.92	25	2.50	27	1013	53.21	24	2.80	30	906	47.58	24	3.10	33	814	42.78	23	3.40	39	707	37.13	22	4.00	43	633	33.25	21	4.20	15	1785	93.79	3.4	0.80	17	1566	82.27	15	0.90	20	1387	72.88	17	1.05	22	1217	63.96	17	1.20	24	1154	60.61	18	1.25	27	1010	53.05	19	1.45	30	910	47.79	19	1.60	34	798	41.92	18	1.80	39	704	37.00	18	2.10	44	624	32.80	17	2.30	51	533	28.00	17	2.60																																																																																																																																																																																																
1.6	15839	876	114	1.15	1.9	13959	772	114	1.30	2.2	11898	658	114	1.50	2.8	9258	512	114	1.95	2.7	9637	533	65	1.35	3.1	8390	464	66	1.55	3.3	7721	427	67	1.65	3.9	6564	363	68	1.95	4.5	5786	320	69	2.25	5.1	5081	281	69	2.55	1.6	15803	874	25	0.80	1.9	13941	771	52	0.95	2.1	12350	683	60	1.05	2.3	11012	609	62	1.15	2.6	9927	549	64	1.30	2.9	8914	493	46	0.90	3.3	7775	430	51	1.00	3.7	6943	384	52	1.15	4.4	5877	325	54	1.35	4.9	5298	293	55	1.50	5.6	4629	256	56	1.70	6.4	4014	222	56	2.00	3.2	8547	222.96	48	0.90	3.8	7236	188.75	52	1.05	4.1	6696	174.68	53	1.15	4.5	6002	156.56	54	1.30	5.0	5419	141.35	55	1.40	5.5	4921	128.38	55	1.55	6.2	4366	113.90	56	1.75	6.9	3962	103.36	56	1.95	8.0	3406	88.85	57	2.30	4.3	6321	222.96	53	1.20	5.1	5351	188.75	55	1.40	5.5	4952	174.68	55	1.50	6.1	4439	156.56	56	1.70	6.8	4007	141.35	56	1.85	7.5	3640	128.38	57	2.00	8.4	3229	113.90	57	2.30	9.3	2930	103.36	57	2.50	6.0	4499	158.68	21	0.90	6.8	4021	141.83	28	1.00	7.5	3620	127.68	30	1.10	6.2	4377	229.95	25	0.90	7.0	3867	203.16	29	1.05	8.3	3280	172.34	31	1.20	9.0	3020	158.68	32	1.30	10	2699	141.83	34	1.50	11	2430	127.68	34	1.65	12	2201	115.63	34	1.80	14	1951	102.53	35	2.00	15	1764	92.70	35	2.30	18	1495	78.57	34	2.70	20	1387	72.88	33	2.90	9.5	2870	150.78	15	0.95	11	2412	126.75	22	1.15	12	2217	116.48	23	1.25	14	1969	103.44	25	1.40	15	1760	92.48	25	1.60	17	1583	83.15	26	1.75	20	1374	72.17	26	2.00	22	1241	65.21	26	2.20	24	1140	59.92	25	2.50	27	1013	53.21	24	2.80	30	906	47.58	24	3.10	33	814	42.78	23	3.40	39	707	37.13	22	4.00	43	633	33.25	21	4.20	15	1785	93.79	3.4	0.80	17	1566	82.27	15	0.90	20	1387	72.88	17	1.05	22	1217	63.96	17	1.20	24	1154	60.61	18	1.25	27	1010	53.05	19	1.45	30	910	47.79	19	1.60	34	798	41.92	18	1.80	39	704	37.00	18	2.10	44	624	32.80	17	2.30	51	533	28.00	17	2.60																																																																																																																																																																																																					
1.9	13959	772	114	1.30	2.2	11898	658	114	1.50	2.8	9258	512	114	1.95	2.7	9637	533	65	1.35	3.1	8390	464	66	1.55	3.3	7721	427	67	1.65	3.9	6564	363	68	1.95	4.5	5786	320	69	2.25	5.1	5081	281	69	2.55	1.6	15803	874	25	0.80	1.9	13941	771	52	0.95	2.1	12350	683	60	1.05	2.3	11012	609	62	1.15	2.6	9927	549	64	1.30	2.9	8914	493	46	0.90	3.3	7775	430	51	1.00	3.7	6943	384	52	1.15	4.4	5877	325	54	1.35	4.9	5298	293	55	1.50	5.6	4629	256	56	1.70	6.4	4014	222	56	2.00	3.2	8547	222.96	48	0.90	3.8	7236	188.75	52	1.05	4.1	6696	174.68	53	1.15	4.5	6002	156.56	54	1.30	5.0	5419	141.35	55	1.40	5.5	4921	128.38	55	1.55	6.2	4366	113.90	56	1.75	6.9	3962	103.36	56	1.95	8.0	3406	88.85	57	2.30	4.3	6321	222.96	53	1.20	5.1	5351	188.75	55	1.40	5.5	4952	174.68	55	1.50	6.1	4439	156.56	56	1.70	6.8	4007	141.35	56	1.85	7.5	3640	128.38	57	2.00	8.4	3229	113.90	57	2.30	9.3	2930	103.36	57	2.50	6.0	4499	158.68	21	0.90	6.8	4021	141.83	28	1.00	7.5	3620	127.68	30	1.10	6.2	4377	229.95	25	0.90	7.0	3867	203.16	29	1.05	8.3	3280	172.34	31	1.20	9.0	3020	158.68	32	1.30	10	2699	141.83	34	1.50	11	2430	127.68	34	1.65	12	2201	115.63	34	1.80	14	1951	102.53	35	2.00	15	1764	92.70	35	2.30	18	1495	78.57	34	2.70	20	1387	72.88	33	2.90	9.5	2870	150.78	15	0.95	11	2412	126.75	22	1.15	12	2217	116.48	23	1.25	14	1969	103.44	25	1.40	15	1760	92.48	25	1.60	17	1583	83.15	26	1.75	20	1374	72.17	26	2.00	22	1241	65.21	26	2.20	24	1140	59.92	25	2.50	27	1013	53.21	24	2.80	30	906	47.58	24	3.10	33	814	42.78	23	3.40	39	707	37.13	22	4.00	43	633	33.25	21	4.20	15	1785	93.79	3.4	0.80	17	1566	82.27	15	0.90	20	1387	72.88	17	1.05	22	1217	63.96	17	1.20	24	1154	60.61	18	1.25	27	1010	53.05	19	1.45	30	910	47.79	19	1.60	34	798	41.92	18	1.80	39	704	37.00	18	2.10	44	624	32.80	17	2.30	51	533	28.00	17	2.60																																																																																																																																																																																																										
2.2	11898	658	114	1.50	2.8	9258	512	114	1.95	2.7	9637	533	65	1.35	3.1	8390	464	66	1.55	3.3	7721	427	67	1.65	3.9	6564	363	68	1.95	4.5	5786	320	69	2.25	5.1	5081	281	69	2.55	1.6	15803	874	25	0.80	1.9	13941	771	52	0.95	2.1	12350	683	60	1.05	2.3	11012	609	62	1.15	2.6	9927	549	64	1.30	2.9	8914	493	46	0.90	3.3	7775	430	51	1.00	3.7	6943	384	52	1.15	4.4	5877	325	54	1.35	4.9	5298	293	55	1.50	5.6	4629	256	56	1.70	6.4	4014	222	56	2.00	3.2	8547	222.96	48	0.90	3.8	7236	188.75	52	1.05	4.1	6696	174.68	53	1.15	4.5	6002	156.56	54	1.30	5.0	5419	141.35	55	1.40	5.5	4921	128.38	55	1.55	6.2	4366	113.90	56	1.75	6.9	3962	103.36	56	1.95	8.0	3406	88.85	57	2.30	4.3	6321	222.96	53	1.20	5.1	5351	188.75	55	1.40	5.5	4952	174.68	55	1.50	6.1	4439	156.56	56	1.70	6.8	4007	141.35	56	1.85	7.5	3640	128.38	57	2.00	8.4	3229	113.90	57	2.30	9.3	2930	103.36	57	2.50	6.0	4499	158.68	21	0.90	6.8	4021	141.83	28	1.00	7.5	3620	127.68	30	1.10	6.2	4377	229.95	25	0.90	7.0	3867	203.16	29	1.05	8.3	3280	172.34	31	1.20	9.0	3020	158.68	32	1.30	10	2699	141.83	34	1.50	11	2430	127.68	34	1.65	12	2201	115.63	34	1.80	14	1951	102.53	35	2.00	15	1764	92.70	35	2.30	18	1495	78.57	34	2.70	20	1387	72.88	33	2.90	9.5	2870	150.78	15	0.95	11	2412	126.75	22	1.15	12	2217	116.48	23	1.25	14	1969	103.44	25	1.40	15	1760	92.48	25	1.60	17	1583	83.15	26	1.75	20	1374	72.17	26	2.00	22	1241	65.21	26	2.20	24	1140	59.92	25	2.50	27	1013	53.21	24	2.80	30	906	47.58	24	3.10	33	814	42.78	23	3.40	39	707	37.13	22	4.00	43	633	33.25	21	4.20	15	1785	93.79	3.4	0.80	17	1566	82.27	15	0.90	20	1387	72.88	17	1.05	22	1217	63.96	17	1.20	24	1154	60.61	18	1.25	27	1010	53.05	19	1.45	30	910	47.79	19	1.60	34	798	41.92	18	1.80	39	704	37.00	18	2.10	44	624	32.80	17	2.30	51	533	28.00	17	2.60																																																																																																																																																																																																															
2.8	9258	512	114	1.95	2.7	9637	533	65	1.35	3.1	8390	464	66	1.55	3.3	7721	427	67	1.65	3.9	6564	363	68	1.95	4.5	5786	320	69	2.25	5.1	5081	281	69	2.55	1.6	15803	874	25	0.80	1.9	13941	771	52	0.95	2.1	12350	683	60	1.05	2.3	11012	609	62	1.15	2.6	9927	549	64	1.30	2.9	8914	493	46	0.90	3.3	7775	430	51	1.00	3.7	6943	384	52	1.15	4.4	5877	325	54	1.35	4.9	5298	293	55	1.50	5.6	4629	256	56	1.70	6.4	4014	222	56	2.00	3.2	8547	222.96	48	0.90	3.8	7236	188.75	52	1.05	4.1	6696	174.68	53	1.15	4.5	6002	156.56	54	1.30	5.0	5419	141.35	55	1.40	5.5	4921	128.38	55	1.55	6.2	4366	113.90	56	1.75	6.9	3962	103.36	56	1.95	8.0	3406	88.85	57	2.30	4.3	6321	222.96	53	1.20	5.1	5351	188.75	55	1.40	5.5	4952	174.68	55	1.50	6.1	4439	156.56	56	1.70	6.8	4007	141.35	56	1.85	7.5	3640	128.38	57	2.00	8.4	3229	113.90	57	2.30	9.3	2930	103.36	57	2.50	6.0	4499	158.68	21	0.90	6.8	4021	141.83	28	1.00	7.5	3620	127.68	30	1.10	6.2	4377	229.95	25	0.90	7.0	3867	203.16	29	1.05	8.3	3280	172.34	31	1.20	9.0	3020	158.68	32	1.30	10	2699	141.83	34	1.50	11	2430	127.68	34	1.65	12	2201	115.63	34	1.80	14	1951	102.53	35	2.00	15	1764	92.70	35	2.30	18	1495	78.57	34	2.70	20	1387	72.88	33	2.90	9.5	2870	150.78	15	0.95	11	2412	126.75	22	1.15	12	2217	116.48	23	1.25	14	1969	103.44	25	1.40	15	1760	92.48	25	1.60	17	1583	83.15	26	1.75	20	1374	72.17	26	2.00	22	1241	65.21	26	2.20	24	1140	59.92	25	2.50	27	1013	53.21	24	2.80	30	906	47.58	24	3.10	33	814	42.78	23	3.40	39	707	37.13	22	4.00	43	633	33.25	21	4.20	15	1785	93.79	3.4	0.80	17	1566	82.27	15	0.90	20	1387	72.88	17	1.05	22	1217	63.96	17	1.20	24	1154	60.61	18	1.25	27	1010	53.05	19	1.45	30	910	47.79	19	1.60	34	798	41.92	18	1.80	39	704	37.00	18	2.10	44	624	32.80	17	2.30	51	533	28.00	17	2.60																																																																																																																																																																																																																				
2.7	9637	533	65	1.35	3.1	8390	464	66	1.55	3.3	7721	427	67	1.65	3.9	6564	363	68	1.95	4.5	5786	320	69	2.25	5.1	5081	281	69	2.55	1.6	15803	874	25	0.80	1.9	13941	771	52	0.95	2.1	12350	683	60	1.05	2.3	11012	609	62	1.15	2.6	9927	549	64	1.30	2.9	8914	493	46	0.90	3.3	7775	430	51	1.00	3.7	6943	384	52	1.15	4.4	5877	325	54	1.35	4.9	5298	293	55	1.50	5.6	4629	256	56	1.70	6.4	4014	222	56	2.00	3.2	8547	222.96	48	0.90	3.8	7236	188.75	52	1.05	4.1	6696	174.68	53	1.15	4.5	6002	156.56	54	1.30	5.0	5419	141.35	55	1.40	5.5	4921	128.38	55	1.55	6.2	4366	113.90	56	1.75	6.9	3962	103.36	56	1.95	8.0	3406	88.85	57	2.30	4.3	6321	222.96	53	1.20	5.1	5351	188.75	55	1.40	5.5	4952	174.68	55	1.50	6.1	4439	156.56	56	1.70	6.8	4007	141.35	56	1.85	7.5	3640	128.38	57	2.00	8.4	3229	113.90	57	2.30	9.3	2930	103.36	57	2.50	6.0	4499	158.68	21	0.90	6.8	4021	141.83	28	1.00	7.5	3620	127.68	30	1.10	6.2	4377	229.95	25	0.90	7.0	3867	203.16	29	1.05	8.3	3280	172.34	31	1.20	9.0	3020	158.68	32	1.30	10	2699	141.83	34	1.50	11	2430	127.68	34	1.65	12	2201	115.63	34	1.80	14	1951	102.53	35	2.00	15	1764	92.70	35	2.30	18	1495	78.57	34	2.70	20	1387	72.88	33	2.90	9.5	2870	150.78	15	0.95	11	2412	126.75	22	1.15	12	2217	116.48	23	1.25	14	1969	103.44	25	1.40	15	1760	92.48	25	1.60	17	1583	83.15	26	1.75	20	1374	72.17	26	2.00	22	1241	65.21	26	2.20	24	1140	59.92	25	2.50	27	1013	53.21	24	2.80	30	906	47.58	24	3.10	33	814	42.78	23	3.40	39	707	37.13	22	4.00	43	633	33.25	21	4.20	15	1785	93.79	3.4	0.80	17	1566	82.27	15	0.90	20	1387	72.88	17	1.05	22	1217	63.96	17	1.20	24	1154	60.61	18	1.25	27	1010	53.05	19	1.45	30	910	47.79	19	1.60	34	798	41.92	18	1.80	39	704	37.00	18	2.10	44	624	32.80	17	2.30	51	533	28.00	17	2.60																																																																																																																																																																																																																									
3.1	8390	464	66	1.55	3.3	7721	427	67	1.65	3.9	6564	363	68	1.95	4.5	5786	320	69	2.25	5.1	5081	281	69	2.55	1.6	15803	874	25	0.80	1.9	13941	771	52	0.95	2.1	12350	683	60	1.05	2.3	11012	609	62	1.15	2.6	9927	549	64	1.30	2.9	8914	493	46	0.90	3.3	7775	430	51	1.00	3.7	6943	384	52	1.15	4.4	5877	325	54	1.35	4.9	5298	293	55	1.50	5.6	4629	256	56	1.70	6.4	4014	222	56	2.00	3.2	8547	222.96	48	0.90	3.8	7236	188.75	52	1.05	4.1	6696	174.68	53	1.15	4.5	6002	156.56	54	1.30	5.0	5419	141.35	55	1.40	5.5	4921	128.38	55	1.55	6.2	4366	113.90	56	1.75	6.9	3962	103.36	56	1.95	8.0	3406	88.85	57	2.30	4.3	6321	222.96	53	1.20	5.1	5351	188.75	55	1.40	5.5	4952	174.68	55	1.50	6.1	4439	156.56	56	1.70	6.8	4007	141.35	56	1.85	7.5	3640	128.38	57	2.00	8.4	3229	113.90	57	2.30	9.3	2930	103.36	57	2.50	6.0	4499	158.68	21	0.90	6.8	4021	141.83	28	1.00	7.5	3620	127.68	30	1.10	6.2	4377	229.95	25	0.90	7.0	3867	203.16	29	1.05	8.3	3280	172.34	31	1.20	9.0	3020	158.68	32	1.30	10	2699	141.83	34	1.50	11	2430	127.68	34	1.65	12	2201	115.63	34	1.80	14	1951	102.53	35	2.00	15	1764	92.70	35	2.30	18	1495	78.57	34	2.70	20	1387	72.88	33	2.90	9.5	2870	150.78	15	0.95	11	2412	126.75	22	1.15	12	2217	116.48	23	1.25	14	1969	103.44	25	1.40	15	1760	92.48	25	1.60	17	1583	83.15	26	1.75	20	1374	72.17	26	2.00	22	1241	65.21	26	2.20	24	1140	59.92	25	2.50	27	1013	53.21	24	2.80	30	906	47.58	24	3.10	33	814	42.78	23	3.40	39	707	37.13	22	4.00	43	633	33.25	21	4.20	15	1785	93.79	3.4	0.80	17	1566	82.27	15	0.90	20	1387	72.88	17	1.05	22	1217	63.96	17	1.20	24	1154	60.61	18	1.25	27	1010	53.05	19	1.45	30	910	47.79	19	1.60	34	798	41.92	18	1.80	39	704	37.00	18	2.10	44	624	32.80	17	2.30	51	533	28.00	17	2.60																																																																																																																																																																																																																														
3.3	7721	427	67	1.65	3.9	6564	363	68	1.95	4.5	5786	320	69	2.25	5.1	5081	281	69	2.55	1.6	15803	874	25	0.80	1.9	13941	771	52	0.95	2.1	12350	683	60	1.05	2.3	11012	609	62	1.15	2.6	9927	549	64	1.30	2.9	8914	493	46	0.90	3.3	7775	430	51	1.00	3.7	6943	384	52	1.15	4.4	5877	325	54	1.35	4.9	5298	293	55	1.50	5.6	4629	256	56	1.70	6.4	4014	222	56	2.00	3.2	8547	222.96	48	0.90	3.8	7236	188.75	52	1.05	4.1	6696	174.68	53	1.15	4.5	6002	156.56	54	1.30	5.0	5419	141.35	55	1.40	5.5	4921	128.38	55	1.55	6.2	4366	113.90	56	1.75	6.9	3962	103.36	56	1.95	8.0	3406	88.85	57	2.30	4.3	6321	222.96	53	1.20	5.1	5351	188.75	55	1.40	5.5	4952	174.68	55	1.50	6.1	4439	156.56	56	1.70	6.8	4007	141.35	56	1.85	7.5	3640	128.38	57	2.00	8.4	3229	113.90	57	2.30	9.3	2930	103.36	57	2.50	6.0	4499	158.68	21	0.90	6.8	4021	141.83	28	1.00	7.5	3620	127.68	30	1.10	6.2	4377	229.95	25	0.90	7.0	3867	203.16	29	1.05	8.3	3280	172.34	31	1.20	9.0	3020	158.68	32	1.30	10	2699	141.83	34	1.50	11	2430	127.68	34	1.65	12	2201	115.63	34	1.80	14	1951	102.53	35	2.00	15	1764	92.70	35	2.30	18	1495	78.57	34	2.70	20	1387	72.88	33	2.90	9.5	2870	150.78	15	0.95	11	2412	126.75	22	1.15	12	2217	116.48	23	1.25	14	1969	103.44	25	1.40	15	1760	92.48	25	1.60	17	1583	83.15	26	1.75	20	1374	72.17	26	2.00	22	1241	65.21	26	2.20	24	1140	59.92	25	2.50	27	1013	53.21	24	2.80	30	906	47.58	24	3.10	33	814	42.78	23	3.40	39	707	37.13	22	4.00	43	633	33.25	21	4.20	15	1785	93.79	3.4	0.80	17	1566	82.27	15	0.90	20	1387	72.88	17	1.05	22	1217	63.96	17	1.20	24	1154	60.61	18	1.25	27	1010	53.05	19	1.45	30	910	47.79	19	1.60	34	798	41.92	18	1.80	39	704	37.00	18	2.10	44	624	32.80	17	2.30	51	533	28.00	17	2.60																																																																																																																																																																																																																																			
3.9	6564	363	68	1.95	4.5	5786	320	69	2.25	5.1	5081	281	69	2.55	1.6	15803	874	25	0.80	1.9	13941	771	52	0.95	2.1	12350	683	60	1.05	2.3	11012	609	62	1.15	2.6	9927	549	64	1.30	2.9	8914	493	46	0.90	3.3	7775	430	51	1.00	3.7	6943	384	52	1.15	4.4	5877	325	54	1.35	4.9	5298	293	55	1.50	5.6	4629	256	56	1.70	6.4	4014	222	56	2.00	3.2	8547	222.96	48	0.90	3.8	7236	188.75	52	1.05	4.1	6696	174.68	53	1.15	4.5	6002	156.56	54	1.30	5.0	5419	141.35	55	1.40	5.5	4921	128.38	55	1.55	6.2	4366	113.90	56	1.75	6.9	3962	103.36	56	1.95	8.0	3406	88.85	57	2.30	4.3	6321	222.96	53	1.20	5.1	5351	188.75	55	1.40	5.5	4952	174.68	55	1.50	6.1	4439	156.56	56	1.70	6.8	4007	141.35	56	1.85	7.5	3640	128.38	57	2.00	8.4	3229	113.90	57	2.30	9.3	2930	103.36	57	2.50	6.0	4499	158.68	21	0.90	6.8	4021	141.83	28	1.00	7.5	3620	127.68	30	1.10	6.2	4377	229.95	25	0.90	7.0	3867	203.16	29	1.05	8.3	3280	172.34	31	1.20	9.0	3020	158.68	32	1.30	10	2699	141.83	34	1.50	11	2430	127.68	34	1.65	12	2201	115.63	34	1.80	14	1951	102.53	35	2.00	15	1764	92.70	35	2.30	18	1495	78.57	34	2.70	20	1387	72.88	33	2.90	9.5	2870	150.78	15	0.95	11	2412	126.75	22	1.15	12	2217	116.48	23	1.25	14	1969	103.44	25	1.40	15	1760	92.48	25	1.60	17	1583	83.15	26	1.75	20	1374	72.17	26	2.00	22	1241	65.21	26	2.20	24	1140	59.92	25	2.50	27	1013	53.21	24	2.80	30	906	47.58	24	3.10	33	814	42.78	23	3.40	39	707	37.13	22	4.00	43	633	33.25	21	4.20	15	1785	93.79	3.4	0.80	17	1566	82.27	15	0.90	20	1387	72.88	17	1.05	22	1217	63.96	17	1.20	24	1154	60.61	18	1.25	27	1010	53.05	19	1.45	30	910	47.79	19	1.60	34	798	41.92	18	1.80	39	704	37.00	18	2.10	44	624	32.80	17	2.30	51	533	28.00	17	2.60																																																																																																																																																																																																																																								
4.5	5786	320	69	2.25	5.1	5081	281	69	2.55	1.6	15803	874	25	0.80	1.9	13941	771	52	0.95	2.1	12350	683	60	1.05	2.3	11012	609	62	1.15	2.6	9927	549	64	1.30	2.9	8914	493	46	0.90	3.3	7775	430	51	1.00	3.7	6943	384	52	1.15	4.4	5877	325	54	1.35	4.9	5298	293	55	1.50	5.6	4629	256	56	1.70	6.4	4014	222	56	2.00	3.2	8547	222.96	48	0.90	3.8	7236	188.75	52	1.05	4.1	6696	174.68	53	1.15	4.5	6002	156.56	54	1.30	5.0	5419	141.35	55	1.40	5.5	4921	128.38	55	1.55	6.2	4366	113.90	56	1.75	6.9	3962	103.36	56	1.95	8.0	3406	88.85	57	2.30	4.3	6321	222.96	53	1.20	5.1	5351	188.75	55	1.40	5.5	4952	174.68	55	1.50	6.1	4439	156.56	56	1.70	6.8	4007	141.35	56	1.85	7.5	3640	128.38	57	2.00	8.4	3229	113.90	57	2.30	9.3	2930	103.36	57	2.50	6.0	4499	158.68	21	0.90	6.8	4021	141.83	28	1.00	7.5	3620	127.68	30	1.10	6.2	4377	229.95	25	0.90	7.0	3867	203.16	29	1.05	8.3	3280	172.34	31	1.20	9.0	3020	158.68	32	1.30	10	2699	141.83	34	1.50	11	2430	127.68	34	1.65	12	2201	115.63	34	1.80	14	1951	102.53	35	2.00	15	1764	92.70	35	2.30	18	1495	78.57	34	2.70	20	1387	72.88	33	2.90	9.5	2870	150.78	15	0.95	11	2412	126.75	22	1.15	12	2217	116.48	23	1.25	14	1969	103.44	25	1.40	15	1760	92.48	25	1.60	17	1583	83.15	26	1.75	20	1374	72.17	26	2.00	22	1241	65.21	26	2.20	24	1140	59.92	25	2.50	27	1013	53.21	24	2.80	30	906	47.58	24	3.10	33	814	42.78	23	3.40	39	707	37.13	22	4.00	43	633	33.25	21	4.20	15	1785	93.79	3.4	0.80	17	1566	82.27	15	0.90	20	1387	72.88	17	1.05	22	1217	63.96	17	1.20	24	1154	60.61	18	1.25	27	1010	53.05	19	1.45	30	910	47.79	19	1.60	34	798	41.92	18	1.80	39	704	37.00	18	2.10	44	624	32.80	17	2.30	51	533	28.00	17	2.60																																																																																																																																																																																																																																													
5.1	5081	281	69	2.55	1.6	15803	874	25	0.80	1.9	13941	771	52	0.95	2.1	12350	683	60	1.05	2.3	11012	609	62	1.15	2.6	9927	549	64	1.30	2.9	8914	493	46	0.90	3.3	7775	430	51	1.00	3.7	6943	384	52	1.15	4.4	5877	325	54	1.35	4.9	5298	293	55	1.50	5.6	4629	256	56	1.70	6.4	4014	222	56	2.00	3.2	8547	222.96	48	0.90	3.8	7236	188.75	52	1.05	4.1	6696	174.68	53	1.15	4.5	6002	156.56	54	1.30	5.0	5419	141.35	55	1.40	5.5	4921	128.38	55	1.55	6.2	4366	113.90	56	1.75	6.9	3962	103.36	56	1.95	8.0	3406	88.85	57	2.30	4.3	6321	222.96	53	1.20	5.1	5351	188.75	55	1.40	5.5	4952	174.68	55	1.50	6.1	4439	156.56	56	1.70	6.8	4007	141.35	56	1.85	7.5	3640	128.38	57	2.00	8.4	3229	113.90	57	2.30	9.3	2930	103.36	57	2.50	6.0	4499	158.68	21	0.90	6.8	4021	141.83	28	1.00	7.5	3620	127.68	30	1.10	6.2	4377	229.95	25	0.90	7.0	3867	203.16	29	1.05	8.3	3280	172.34	31	1.20	9.0	3020	158.68	32	1.30	10	2699	141.83	34	1.50	11	2430	127.68	34	1.65	12	2201	115.63	34	1.80	14	1951	102.53	35	2.00	15	1764	92.70	35	2.30	18	1495	78.57	34	2.70	20	1387	72.88	33	2.90	9.5	2870	150.78	15	0.95	11	2412	126.75	22	1.15	12	2217	116.48	23	1.25	14	1969	103.44	25	1.40	15	1760	92.48	25	1.60	17	1583	83.15	26	1.75	20	1374	72.17	26	2.00	22	1241	65.21	26	2.20	24	1140	59.92	25	2.50	27	1013	53.21	24	2.80	30	906	47.58	24	3.10	33	814	42.78	23	3.40	39	707	37.13	22	4.00	43	633	33.25	21	4.20	15	1785	93.79	3.4	0.80	17	1566	82.27	15	0.90	20	1387	72.88	17	1.05	22	1217	63.96	17	1.20	24	1154	60.61	18	1.25	27	1010	53.05	19	1.45	30	910	47.79	19	1.60	34	798	41.92	18	1.80	39	704	37.00	18	2.10	44	624	32.80	17	2.30	51	533	28.00	17	2.60																																																																																																																																																																																																																																																		
1.6	15803	874	25	0.80	1.9	13941	771	52	0.95	2.1	12350	683	60	1.05	2.3	11012	609	62	1.15	2.6	9927	549	64	1.30	2.9	8914	493	46	0.90	3.3	7775	430	51	1.00	3.7	6943	384	52	1.15	4.4	5877	325	54	1.35	4.9	5298	293	55	1.50	5.6	4629	256	56	1.70	6.4	4014	222	56	2.00	3.2	8547	222.96	48	0.90	3.8	7236	188.75	52	1.05	4.1	6696	174.68	53	1.15	4.5	6002	156.56	54	1.30	5.0	5419	141.35	55	1.40	5.5	4921	128.38	55	1.55	6.2	4366	113.90	56	1.75	6.9	3962	103.36	56	1.95	8.0	3406	88.85	57	2.30	4.3	6321	222.96	53	1.20	5.1	5351	188.75	55	1.40	5.5	4952	174.68	55	1.50	6.1	4439	156.56	56	1.70	6.8	4007	141.35	56	1.85	7.5	3640	128.38	57	2.00	8.4	3229	113.90	57	2.30	9.3	2930	103.36	57	2.50	6.0	4499	158.68	21	0.90	6.8	4021	141.83	28	1.00	7.5	3620	127.68	30	1.10	6.2	4377	229.95	25	0.90	7.0	3867	203.16	29	1.05	8.3	3280	172.34	31	1.20	9.0	3020	158.68	32	1.30	10	2699	141.83	34	1.50	11	2430	127.68	34	1.65	12	2201	115.63	34	1.80	14	1951	102.53	35	2.00	15	1764	92.70	35	2.30	18	1495	78.57	34	2.70	20	1387	72.88	33	2.90	9.5	2870	150.78	15	0.95	11	2412	126.75	22	1.15	12	2217	116.48	23	1.25	14	1969	103.44	25	1.40	15	1760	92.48	25	1.60	17	1583	83.15	26	1.75	20	1374	72.17	26	2.00	22	1241	65.21	26	2.20	24	1140	59.92	25	2.50	27	1013	53.21	24	2.80	30	906	47.58	24	3.10	33	814	42.78	23	3.40	39	707	37.13	22	4.00	43	633	33.25	21	4.20	15	1785	93.79	3.4	0.80	17	1566	82.27	15	0.90	20	1387	72.88	17	1.05	22	1217	63.96	17	1.20	24	1154	60.61	18	1.25	27	1010	53.05	19	1.45	30	910	47.79	19	1.60	34	798	41.92	18	1.80	39	704	37.00	18	2.10	44	624	32.80	17	2.30	51	533	28.00	17	2.60																																																																																																																																																																																																																																																							
1.9	13941	771	52	0.95	2.1	12350	683	60	1.05	2.3	11012	609	62	1.15	2.6	9927	549	64	1.30	2.9	8914	493	46	0.90	3.3	7775	430	51	1.00	3.7	6943	384	52	1.15	4.4	5877	325	54	1.35	4.9	5298	293	55	1.50	5.6	4629	256	56	1.70	6.4	4014	222	56	2.00	3.2	8547	222.96	48	0.90	3.8	7236	188.75	52	1.05	4.1	6696	174.68	53	1.15	4.5	6002	156.56	54	1.30	5.0	5419	141.35	55	1.40	5.5	4921	128.38	55	1.55	6.2	4366	113.90	56	1.75	6.9	3962	103.36	56	1.95	8.0	3406	88.85	57	2.30	4.3	6321	222.96	53	1.20	5.1	5351	188.75	55	1.40	5.5	4952	174.68	55	1.50	6.1	4439	156.56	56	1.70	6.8	4007	141.35	56	1.85	7.5	3640	128.38	57	2.00	8.4	3229	113.90	57	2.30	9.3	2930	103.36	57	2.50	6.0	4499	158.68	21	0.90	6.8	4021	141.83	28	1.00	7.5	3620	127.68	30	1.10	6.2	4377	229.95	25	0.90	7.0	3867	203.16	29	1.05	8.3	3280	172.34	31	1.20	9.0	3020	158.68	32	1.30	10	2699	141.83	34	1.50	11	2430	127.68	34	1.65	12	2201	115.63	34	1.80	14	1951	102.53	35	2.00	15	1764	92.70	35	2.30	18	1495	78.57	34	2.70	20	1387	72.88	33	2.90	9.5	2870	150.78	15	0.95	11	2412	126.75	22	1.15	12	2217	116.48	23	1.25	14	1969	103.44	25	1.40	15	1760	92.48	25	1.60	17	1583	83.15	26	1.75	20	1374	72.17	26	2.00	22	1241	65.21	26	2.20	24	1140	59.92	25	2.50	27	1013	53.21	24	2.80	30	906	47.58	24	3.10	33	814	42.78	23	3.40	39	707	37.13	22	4.00	43	633	33.25	21	4.20	15	1785	93.79	3.4	0.80	17	1566	82.27	15	0.90	20	1387	72.88	17	1.05	22	1217	63.96	17	1.20	24	1154	60.61	18	1.25	27	1010	53.05	19	1.45	30	910	47.79	19	1.60	34	798	41.92	18	1.80	39	704	37.00	18	2.10	44	624	32.80	17	2.30	51	533	28.00	17	2.60																																																																																																																																																																																																																																																												
2.1	12350	683	60	1.05	2.3	11012	609	62	1.15	2.6	9927	549	64	1.30	2.9	8914	493	46	0.90	3.3	7775	430	51	1.00	3.7	6943	384	52	1.15	4.4	5877	325	54	1.35	4.9	5298	293	55	1.50	5.6	4629	256	56	1.70	6.4	4014	222	56	2.00	3.2	8547	222.96	48	0.90	3.8	7236	188.75	52	1.05	4.1	6696	174.68	53	1.15	4.5	6002	156.56	54	1.30	5.0	5419	141.35	55	1.40	5.5	4921	128.38	55	1.55	6.2	4366	113.90	56	1.75	6.9	3962	103.36	56	1.95	8.0	3406	88.85	57	2.30	4.3	6321	222.96	53	1.20	5.1	5351	188.75	55	1.40	5.5	4952	174.68	55	1.50	6.1	4439	156.56	56	1.70	6.8	4007	141.35	56	1.85	7.5	3640	128.38	57	2.00	8.4	3229	113.90	57	2.30	9.3	2930	103.36	57	2.50	6.0	4499	158.68	21	0.90	6.8	4021	141.83	28	1.00	7.5	3620	127.68	30	1.10	6.2	4377	229.95	25	0.90	7.0	3867	203.16	29	1.05	8.3	3280	172.34	31	1.20	9.0	3020	158.68	32	1.30	10	2699	141.83	34	1.50	11	2430	127.68	34	1.65	12	2201	115.63	34	1.80	14	1951	102.53	35	2.00	15	1764	92.70	35	2.30	18	1495	78.57	34	2.70	20	1387	72.88	33	2.90	9.5	2870	150.78	15	0.95	11	2412	126.75	22	1.15	12	2217	116.48	23	1.25	14	1969	103.44	25	1.40	15	1760	92.48	25	1.60	17	1583	83.15	26	1.75	20	1374	72.17	26	2.00	22	1241	65.21	26	2.20	24	1140	59.92	25	2.50	27	1013	53.21	24	2.80	30	906	47.58	24	3.10	33	814	42.78	23	3.40	39	707	37.13	22	4.00	43	633	33.25	21	4.20	15	1785	93.79	3.4	0.80	17	1566	82.27	15	0.90	20	1387	72.88	17	1.05	22	1217	63.96	17	1.20	24	1154	60.61	18	1.25	27	1010	53.05	19	1.45	30	910	47.79	19	1.60	34	798	41.92	18	1.80	39	704	37.00	18	2.10	44	624	32.80	17	2.30	51	533	28.00	17	2.60																																																																																																																																																																																																																																																																	
2.3	11012	609	62	1.15	2.6	9927	549	64	1.30	2.9	8914	493	46	0.90	3.3	7775	430	51	1.00	3.7	6943	384	52	1.15	4.4	5877	325	54	1.35	4.9	5298	293	55	1.50	5.6	4629	256	56	1.70	6.4	4014	222	56	2.00	3.2	8547	222.96	48	0.90	3.8	7236	188.75	52	1.05	4.1	6696	174.68	53	1.15	4.5	6002	156.56	54	1.30	5.0	5419	141.35	55	1.40	5.5	4921	128.38	55	1.55	6.2	4366	113.90	56	1.75	6.9	3962	103.36	56	1.95	8.0	3406	88.85	57	2.30	4.3	6321	222.96	53	1.20	5.1	5351	188.75	55	1.40	5.5	4952	174.68	55	1.50	6.1	4439	156.56	56	1.70	6.8	4007	141.35	56	1.85	7.5	3640	128.38	57	2.00	8.4	3229	113.90	57	2.30	9.3	2930	103.36	57	2.50	6.0	4499	158.68	21	0.90	6.8	4021	141.83	28	1.00	7.5	3620	127.68	30	1.10	6.2	4377	229.95	25	0.90	7.0	3867	203.16	29	1.05	8.3	3280	172.34	31	1.20	9.0	3020	158.68	32	1.30	10	2699	141.83	34	1.50	11	2430	127.68	34	1.65	12	2201	115.63	34	1.80	14	1951	102.53	35	2.00	15	1764	92.70	35	2.30	18	1495	78.57	34	2.70	20	1387	72.88	33	2.90	9.5	2870	150.78	15	0.95	11	2412	126.75	22	1.15	12	2217	116.48	23	1.25	14	1969	103.44	25	1.40	15	1760	92.48	25	1.60	17	1583	83.15	26	1.75	20	1374	72.17	26	2.00	22	1241	65.21	26	2.20	24	1140	59.92	25	2.50	27	1013	53.21	24	2.80	30	906	47.58	24	3.10	33	814	42.78	23	3.40	39	707	37.13	22	4.00	43	633	33.25	21	4.20	15	1785	93.79	3.4	0.80	17	1566	82.27	15	0.90	20	1387	72.88	17	1.05	22	1217	63.96	17	1.20	24	1154	60.61	18	1.25	27	1010	53.05	19	1.45	30	910	47.79	19	1.60	34	798	41.92	18	1.80	39	704	37.00	18	2.10	44	624	32.80	17	2.30	51	533	28.00	17	2.60																																																																																																																																																																																																																																																																						
2.6	9927	549	64	1.30	2.9	8914	493	46	0.90	3.3	7775	430	51	1.00	3.7	6943	384	52	1.15	4.4	5877	325	54	1.35	4.9	5298	293	55	1.50	5.6	4629	256	56	1.70	6.4	4014	222	56	2.00	3.2	8547	222.96	48	0.90	3.8	7236	188.75	52	1.05	4.1	6696	174.68	53	1.15	4.5	6002	156.56	54	1.30	5.0	5419	141.35	55	1.40	5.5	4921	128.38	55	1.55	6.2	4366	113.90	56	1.75	6.9	3962	103.36	56	1.95	8.0	3406	88.85	57	2.30	4.3	6321	222.96	53	1.20	5.1	5351	188.75	55	1.40	5.5	4952	174.68	55	1.50	6.1	4439	156.56	56	1.70	6.8	4007	141.35	56	1.85	7.5	3640	128.38	57	2.00	8.4	3229	113.90	57	2.30	9.3	2930	103.36	57	2.50	6.0	4499	158.68	21	0.90	6.8	4021	141.83	28	1.00	7.5	3620	127.68	30	1.10	6.2	4377	229.95	25	0.90	7.0	3867	203.16	29	1.05	8.3	3280	172.34	31	1.20	9.0	3020	158.68	32	1.30	10	2699	141.83	34	1.50	11	2430	127.68	34	1.65	12	2201	115.63	34	1.80	14	1951	102.53	35	2.00	15	1764	92.70	35	2.30	18	1495	78.57	34	2.70	20	1387	72.88	33	2.90	9.5	2870	150.78	15	0.95	11	2412	126.75	22	1.15	12	2217	116.48	23	1.25	14	1969	103.44	25	1.40	15	1760	92.48	25	1.60	17	1583	83.15	26	1.75	20	1374	72.17	26	2.00	22	1241	65.21	26	2.20	24	1140	59.92	25	2.50	27	1013	53.21	24	2.80	30	906	47.58	24	3.10	33	814	42.78	23	3.40	39	707	37.13	22	4.00	43	633	33.25	21	4.20	15	1785	93.79	3.4	0.80	17	1566	82.27	15	0.90	20	1387	72.88	17	1.05	22	1217	63.96	17	1.20	24	1154	60.61	18	1.25	27	1010	53.05	19	1.45	30	910	47.79	19	1.60	34	798	41.92	18	1.80	39	704	37.00	18	2.10	44	624	32.80	17	2.30	51	533	28.00	17	2.60																																																																																																																																																																																																																																																																											
2.9	8914	493	46	0.90	3.3	7775	430	51	1.00	3.7	6943	384	52	1.15	4.4	5877	325	54	1.35	4.9	5298	293	55	1.50	5.6	4629	256	56	1.70	6.4	4014	222	56	2.00	3.2	8547	222.96	48	0.90	3.8	7236	188.75	52	1.05	4.1	6696	174.68	53	1.15	4.5	6002	156.56	54	1.30	5.0	5419	141.35	55	1.40	5.5	4921	128.38	55	1.55	6.2	4366	113.90	56	1.75	6.9	3962	103.36	56	1.95	8.0	3406	88.85	57	2.30	4.3	6321	222.96	53	1.20	5.1	5351	188.75	55	1.40	5.5	4952	174.68	55	1.50	6.1	4439	156.56	56	1.70	6.8	4007	141.35	56	1.85	7.5	3640	128.38	57	2.00	8.4	3229	113.90	57	2.30	9.3	2930	103.36	57	2.50	6.0	4499	158.68	21	0.90	6.8	4021	141.83	28	1.00	7.5	3620	127.68	30	1.10	6.2	4377	229.95	25	0.90	7.0	3867	203.16	29	1.05	8.3	3280	172.34	31	1.20	9.0	3020	158.68	32	1.30	10	2699	141.83	34	1.50	11	2430	127.68	34	1.65	12	2201	115.63	34	1.80	14	1951	102.53	35	2.00	15	1764	92.70	35	2.30	18	1495	78.57	34	2.70	20	1387	72.88	33	2.90	9.5	2870	150.78	15	0.95	11	2412	126.75	22	1.15	12	2217	116.48	23	1.25	14	1969	103.44	25	1.40	15	1760	92.48	25	1.60	17	1583	83.15	26	1.75	20	1374	72.17	26	2.00	22	1241	65.21	26	2.20	24	1140	59.92	25	2.50	27	1013	53.21	24	2.80	30	906	47.58	24	3.10	33	814	42.78	23	3.40	39	707	37.13	22	4.00	43	633	33.25	21	4.20	15	1785	93.79	3.4	0.80	17	1566	82.27	15	0.90	20	1387	72.88	17	1.05	22	1217	63.96	17	1.20	24	1154	60.61	18	1.25	27	1010	53.05	19	1.45	30	910	47.79	19	1.60	34	798	41.92	18	1.80	39	704	37.00	18	2.10	44	624	32.80	17	2.30	51	533	28.00	17	2.60																																																																																																																																																																																																																																																																																
3.3	7775	430	51	1.00	3.7	6943	384	52	1.15	4.4	5877	325	54	1.35	4.9	5298	293	55	1.50	5.6	4629	256	56	1.70	6.4	4014	222	56	2.00	3.2	8547	222.96	48	0.90	3.8	7236	188.75	52	1.05	4.1	6696	174.68	53	1.15	4.5	6002	156.56	54	1.30	5.0	5419	141.35	55	1.40	5.5	4921	128.38	55	1.55	6.2	4366	113.90	56	1.75	6.9	3962	103.36	56	1.95	8.0	3406	88.85	57	2.30	4.3	6321	222.96	53	1.20	5.1	5351	188.75	55	1.40	5.5	4952	174.68	55	1.50	6.1	4439	156.56	56	1.70	6.8	4007	141.35	56	1.85	7.5	3640	128.38	57	2.00	8.4	3229	113.90	57	2.30	9.3	2930	103.36	57	2.50	6.0	4499	158.68	21	0.90	6.8	4021	141.83	28	1.00	7.5	3620	127.68	30	1.10	6.2	4377	229.95	25	0.90	7.0	3867	203.16	29	1.05	8.3	3280	172.34	31	1.20	9.0	3020	158.68	32	1.30	10	2699	141.83	34	1.50	11	2430	127.68	34	1.65	12	2201	115.63	34	1.80	14	1951	102.53	35	2.00	15	1764	92.70	35	2.30	18	1495	78.57	34	2.70	20	1387	72.88	33	2.90	9.5	2870	150.78	15	0.95	11	2412	126.75	22	1.15	12	2217	116.48	23	1.25	14	1969	103.44	25	1.40	15	1760	92.48	25	1.60	17	1583	83.15	26	1.75	20	1374	72.17	26	2.00	22	1241	65.21	26	2.20	24	1140	59.92	25	2.50	27	1013	53.21	24	2.80	30	906	47.58	24	3.10	33	814	42.78	23	3.40	39	707	37.13	22	4.00	43	633	33.25	21	4.20	15	1785	93.79	3.4	0.80	17	1566	82.27	15	0.90	20	1387	72.88	17	1.05	22	1217	63.96	17	1.20	24	1154	60.61	18	1.25	27	1010	53.05	19	1.45	30	910	47.79	19	1.60	34	798	41.92	18	1.80	39	704	37.00	18	2.10	44	624	32.80	17	2.30	51	533	28.00	17	2.60																																																																																																																																																																																																																																																																																					
3.7	6943	384	52	1.15	4.4	5877	325	54	1.35	4.9	5298	293	55	1.50	5.6	4629	256	56	1.70	6.4	4014	222	56	2.00	3.2	8547	222.96	48	0.90	3.8	7236	188.75	52	1.05	4.1	6696	174.68	53	1.15	4.5	6002	156.56	54	1.30	5.0	5419	141.35	55	1.40	5.5	4921	128.38	55	1.55	6.2	4366	113.90	56	1.75	6.9	3962	103.36	56	1.95	8.0	3406	88.85	57	2.30	4.3	6321	222.96	53	1.20	5.1	5351	188.75	55	1.40	5.5	4952	174.68	55	1.50	6.1	4439	156.56	56	1.70	6.8	4007	141.35	56	1.85	7.5	3640	128.38	57	2.00	8.4	3229	113.90	57	2.30	9.3	2930	103.36	57	2.50	6.0	4499	158.68	21	0.90	6.8	4021	141.83	28	1.00	7.5	3620	127.68	30	1.10	6.2	4377	229.95	25	0.90	7.0	3867	203.16	29	1.05	8.3	3280	172.34	31	1.20	9.0	3020	158.68	32	1.30	10	2699	141.83	34	1.50	11	2430	127.68	34	1.65	12	2201	115.63	34	1.80	14	1951	102.53	35	2.00	15	1764	92.70	35	2.30	18	1495	78.57	34	2.70	20	1387	72.88	33	2.90	9.5	2870	150.78	15	0.95	11	2412	126.75	22	1.15	12	2217	116.48	23	1.25	14	1969	103.44	25	1.40	15	1760	92.48	25	1.60	17	1583	83.15	26	1.75	20	1374	72.17	26	2.00	22	1241	65.21	26	2.20	24	1140	59.92	25	2.50	27	1013	53.21	24	2.80	30	906	47.58	24	3.10	33	814	42.78	23	3.40	39	707	37.13	22	4.00	43	633	33.25	21	4.20	15	1785	93.79	3.4	0.80	17	1566	82.27	15	0.90	20	1387	72.88	17	1.05	22	1217	63.96	17	1.20	24	1154	60.61	18	1.25	27	1010	53.05	19	1.45	30	910	47.79	19	1.60	34	798	41.92	18	1.80	39	704	37.00	18	2.10	44	624	32.80	17	2.30	51	533	28.00	17	2.60																																																																																																																																																																																																																																																																																										
4.4	5877	325	54	1.35	4.9	5298	293	55	1.50	5.6	4629	256	56	1.70	6.4	4014	222	56	2.00	3.2	8547	222.96	48	0.90	3.8	7236	188.75	52	1.05	4.1	6696	174.68	53	1.15	4.5	6002	156.56	54	1.30	5.0	5419	141.35	55	1.40	5.5	4921	128.38	55	1.55	6.2	4366	113.90	56	1.75	6.9	3962	103.36	56	1.95	8.0	3406	88.85	57	2.30	4.3	6321	222.96	53	1.20	5.1	5351	188.75	55	1.40	5.5	4952	174.68	55	1.50	6.1	4439	156.56	56	1.70	6.8	4007	141.35	56	1.85	7.5	3640	128.38	57	2.00	8.4	3229	113.90	57	2.30	9.3	2930	103.36	57	2.50	6.0	4499	158.68	21	0.90	6.8	4021	141.83	28	1.00	7.5	3620	127.68	30	1.10	6.2	4377	229.95	25	0.90	7.0	3867	203.16	29	1.05	8.3	3280	172.34	31	1.20	9.0	3020	158.68	32	1.30	10	2699	141.83	34	1.50	11	2430	127.68	34	1.65	12	2201	115.63	34	1.80	14	1951	102.53	35	2.00	15	1764	92.70	35	2.30	18	1495	78.57	34	2.70	20	1387	72.88	33	2.90	9.5	2870	150.78	15	0.95	11	2412	126.75	22	1.15	12	2217	116.48	23	1.25	14	1969	103.44	25	1.40	15	1760	92.48	25	1.60	17	1583	83.15	26	1.75	20	1374	72.17	26	2.00	22	1241	65.21	26	2.20	24	1140	59.92	25	2.50	27	1013	53.21	24	2.80	30	906	47.58	24	3.10	33	814	42.78	23	3.40	39	707	37.13	22	4.00	43	633	33.25	21	4.20	15	1785	93.79	3.4	0.80	17	1566	82.27	15	0.90	20	1387	72.88	17	1.05	22	1217	63.96	17	1.20	24	1154	60.61	18	1.25	27	1010	53.05	19	1.45	30	910	47.79	19	1.60	34	798	41.92	18	1.80	39	704	37.00	18	2.10	44	624	32.80	17	2.30	51	533	28.00	17	2.60																																																																																																																																																																																																																																																																																															
4.9	5298	293	55	1.50	5.6	4629	256	56	1.70	6.4	4014	222	56	2.00	3.2	8547	222.96	48	0.90	3.8	7236	188.75	52	1.05	4.1	6696	174.68	53	1.15	4.5	6002	156.56	54	1.30	5.0	5419	141.35	55	1.40	5.5	4921	128.38	55	1.55	6.2	4366	113.90	56	1.75	6.9	3962	103.36	56	1.95	8.0	3406	88.85	57	2.30	4.3	6321	222.96	53	1.20	5.1	5351	188.75	55	1.40	5.5	4952	174.68	55	1.50	6.1	4439	156.56	56	1.70	6.8	4007	141.35	56	1.85	7.5	3640	128.38	57	2.00	8.4	3229	113.90	57	2.30	9.3	2930	103.36	57	2.50	6.0	4499	158.68	21	0.90	6.8	4021	141.83	28	1.00	7.5	3620	127.68	30	1.10	6.2	4377	229.95	25	0.90	7.0	3867	203.16	29	1.05	8.3	3280	172.34	31	1.20	9.0	3020	158.68	32	1.30	10	2699	141.83	34	1.50	11	2430	127.68	34	1.65	12	2201	115.63	34	1.80	14	1951	102.53	35	2.00	15	1764	92.70	35	2.30	18	1495	78.57	34	2.70	20	1387	72.88	33	2.90	9.5	2870	150.78	15	0.95	11	2412	126.75	22	1.15	12	2217	116.48	23	1.25	14	1969	103.44	25	1.40	15	1760	92.48	25	1.60	17	1583	83.15	26	1.75	20	1374	72.17	26	2.00	22	1241	65.21	26	2.20	24	1140	59.92	25	2.50	27	1013	53.21	24	2.80	30	906	47.58	24	3.10	33	814	42.78	23	3.40	39	707	37.13	22	4.00	43	633	33.25	21	4.20	15	1785	93.79	3.4	0.80	17	1566	82.27	15	0.90	20	1387	72.88	17	1.05	22	1217	63.96	17	1.20	24	1154	60.61	18	1.25	27	1010	53.05	19	1.45	30	910	47.79	19	1.60	34	798	41.92	18	1.80	39	704	37.00	18	2.10	44	624	32.80	17	2.30	51	533	28.00	17	2.60																																																																																																																																																																																																																																																																																																				
5.6	4629	256	56	1.70	6.4	4014	222	56	2.00	3.2	8547	222.96	48	0.90	3.8	7236	188.75	52	1.05	4.1	6696	174.68	53	1.15	4.5	6002	156.56	54	1.30	5.0	5419	141.35	55	1.40	5.5	4921	128.38	55	1.55	6.2	4366	113.90	56	1.75	6.9	3962	103.36	56	1.95	8.0	3406	88.85	57	2.30	4.3	6321	222.96	53	1.20	5.1	5351	188.75	55	1.40	5.5	4952	174.68	55	1.50	6.1	4439	156.56	56	1.70	6.8	4007	141.35	56	1.85	7.5	3640	128.38	57	2.00	8.4	3229	113.90	57	2.30	9.3	2930	103.36	57	2.50	6.0	4499	158.68	21	0.90	6.8	4021	141.83	28	1.00	7.5	3620	127.68	30	1.10	6.2	4377	229.95	25	0.90	7.0	3867	203.16	29	1.05	8.3	3280	172.34	31	1.20	9.0	3020	158.68	32	1.30	10	2699	141.83	34	1.50	11	2430	127.68	34	1.65	12	2201	115.63	34	1.80	14	1951	102.53	35	2.00	15	1764	92.70	35	2.30	18	1495	78.57	34	2.70	20	1387	72.88	33	2.90	9.5	2870	150.78	15	0.95	11	2412	126.75	22	1.15	12	2217	116.48	23	1.25	14	1969	103.44	25	1.40	15	1760	92.48	25	1.60	17	1583	83.15	26	1.75	20	1374	72.17	26	2.00	22	1241	65.21	26	2.20	24	1140	59.92	25	2.50	27	1013	53.21	24	2.80	30	906	47.58	24	3.10	33	814	42.78	23	3.40	39	707	37.13	22	4.00	43	633	33.25	21	4.20	15	1785	93.79	3.4	0.80	17	1566	82.27	15	0.90	20	1387	72.88	17	1.05	22	1217	63.96	17	1.20	24	1154	60.61	18	1.25	27	1010	53.05	19	1.45	30	910	47.79	19	1.60	34	798	41.92	18	1.80	39	704	37.00	18	2.10	44	624	32.80	17	2.30	51	533	28.00	17	2.60																																																																																																																																																																																																																																																																																																									
6.4	4014	222	56	2.00	3.2	8547	222.96	48	0.90	3.8	7236	188.75	52	1.05	4.1	6696	174.68	53	1.15	4.5	6002	156.56	54	1.30	5.0	5419	141.35	55	1.40	5.5	4921	128.38	55	1.55	6.2	4366	113.90	56	1.75	6.9	3962	103.36	56	1.95	8.0	3406	88.85	57	2.30	4.3	6321	222.96	53	1.20	5.1	5351	188.75	55	1.40	5.5	4952	174.68	55	1.50	6.1	4439	156.56	56	1.70	6.8	4007	141.35	56	1.85	7.5	3640	128.38	57	2.00	8.4	3229	113.90	57	2.30	9.3	2930	103.36	57	2.50	6.0	4499	158.68	21	0.90	6.8	4021	141.83	28	1.00	7.5	3620	127.68	30	1.10	6.2	4377	229.95	25	0.90	7.0	3867	203.16	29	1.05	8.3	3280	172.34	31	1.20	9.0	3020	158.68	32	1.30	10	2699	141.83	34	1.50	11	2430	127.68	34	1.65	12	2201	115.63	34	1.80	14	1951	102.53	35	2.00	15	1764	92.70	35	2.30	18	1495	78.57	34	2.70	20	1387	72.88	33	2.90	9.5	2870	150.78	15	0.95	11	2412	126.75	22	1.15	12	2217	116.48	23	1.25	14	1969	103.44	25	1.40	15	1760	92.48	25	1.60	17	1583	83.15	26	1.75	20	1374	72.17	26	2.00	22	1241	65.21	26	2.20	24	1140	59.92	25	2.50	27	1013	53.21	24	2.80	30	906	47.58	24	3.10	33	814	42.78	23	3.40	39	707	37.13	22	4.00	43	633	33.25	21	4.20	15	1785	93.79	3.4	0.80	17	1566	82.27	15	0.90	20	1387	72.88	17	1.05	22	1217	63.96	17	1.20	24	1154	60.61	18	1.25	27	1010	53.05	19	1.45	30	910	47.79	19	1.60	34	798	41.92	18	1.80	39	704	37.00	18	2.10	44	624	32.80	17	2.30	51	533	28.00	17	2.60																																																																																																																																																																																																																																																																																																														
3.2	8547	222.96	48	0.90	3.8	7236	188.75	52	1.05	4.1	6696	174.68	53	1.15	4.5	6002	156.56	54	1.30	5.0	5419	141.35	55	1.40	5.5	4921	128.38	55	1.55	6.2	4366	113.90	56	1.75	6.9	3962	103.36	56	1.95	8.0	3406	88.85	57	2.30	4.3	6321	222.96	53	1.20	5.1	5351	188.75	55	1.40	5.5	4952	174.68	55	1.50	6.1	4439	156.56	56	1.70	6.8	4007	141.35	56	1.85	7.5	3640	128.38	57	2.00	8.4	3229	113.90	57	2.30	9.3	2930	103.36	57	2.50	6.0	4499	158.68	21	0.90	6.8	4021	141.83	28	1.00	7.5	3620	127.68	30	1.10	6.2	4377	229.95	25	0.90	7.0	3867	203.16	29	1.05	8.3	3280	172.34	31	1.20	9.0	3020	158.68	32	1.30	10	2699	141.83	34	1.50	11	2430	127.68	34	1.65	12	2201	115.63	34	1.80	14	1951	102.53	35	2.00	15	1764	92.70	35	2.30	18	1495	78.57	34	2.70	20	1387	72.88	33	2.90	9.5	2870	150.78	15	0.95	11	2412	126.75	22	1.15	12	2217	116.48	23	1.25	14	1969	103.44	25	1.40	15	1760	92.48	25	1.60	17	1583	83.15	26	1.75	20	1374	72.17	26	2.00	22	1241	65.21	26	2.20	24	1140	59.92	25	2.50	27	1013	53.21	24	2.80	30	906	47.58	24	3.10	33	814	42.78	23	3.40	39	707	37.13	22	4.00	43	633	33.25	21	4.20	15	1785	93.79	3.4	0.80	17	1566	82.27	15	0.90	20	1387	72.88	17	1.05	22	1217	63.96	17	1.20	24	1154	60.61	18	1.25	27	1010	53.05	19	1.45	30	910	47.79	19	1.60	34	798	41.92	18	1.80	39	704	37.00	18	2.10	44	624	32.80	17	2.30	51	533	28.00	17	2.60																																																																																																																																																																																																																																																																																																																			
3.8	7236	188.75	52	1.05	4.1	6696	174.68	53	1.15	4.5	6002	156.56	54	1.30	5.0	5419	141.35	55	1.40	5.5	4921	128.38	55	1.55	6.2	4366	113.90	56	1.75	6.9	3962	103.36	56	1.95	8.0	3406	88.85	57	2.30	4.3	6321	222.96	53	1.20	5.1	5351	188.75	55	1.40	5.5	4952	174.68	55	1.50	6.1	4439	156.56	56	1.70	6.8	4007	141.35	56	1.85	7.5	3640	128.38	57	2.00	8.4	3229	113.90	57	2.30	9.3	2930	103.36	57	2.50	6.0	4499	158.68	21	0.90	6.8	4021	141.83	28	1.00	7.5	3620	127.68	30	1.10	6.2	4377	229.95	25	0.90	7.0	3867	203.16	29	1.05	8.3	3280	172.34	31	1.20	9.0	3020	158.68	32	1.30	10	2699	141.83	34	1.50	11	2430	127.68	34	1.65	12	2201	115.63	34	1.80	14	1951	102.53	35	2.00	15	1764	92.70	35	2.30	18	1495	78.57	34	2.70	20	1387	72.88	33	2.90	9.5	2870	150.78	15	0.95	11	2412	126.75	22	1.15	12	2217	116.48	23	1.25	14	1969	103.44	25	1.40	15	1760	92.48	25	1.60	17	1583	83.15	26	1.75	20	1374	72.17	26	2.00	22	1241	65.21	26	2.20	24	1140	59.92	25	2.50	27	1013	53.21	24	2.80	30	906	47.58	24	3.10	33	814	42.78	23	3.40	39	707	37.13	22	4.00	43	633	33.25	21	4.20	15	1785	93.79	3.4	0.80	17	1566	82.27	15	0.90	20	1387	72.88	17	1.05	22	1217	63.96	17	1.20	24	1154	60.61	18	1.25	27	1010	53.05	19	1.45	30	910	47.79	19	1.60	34	798	41.92	18	1.80	39	704	37.00	18	2.10	44	624	32.80	17	2.30	51	533	28.00	17	2.60																																																																																																																																																																																																																																																																																																																								
4.1	6696	174.68	53	1.15	4.5	6002	156.56	54	1.30	5.0	5419	141.35	55	1.40	5.5	4921	128.38	55	1.55	6.2	4366	113.90	56	1.75	6.9	3962	103.36	56	1.95	8.0	3406	88.85	57	2.30	4.3	6321	222.96	53	1.20	5.1	5351	188.75	55	1.40	5.5	4952	174.68	55	1.50	6.1	4439	156.56	56	1.70	6.8	4007	141.35	56	1.85	7.5	3640	128.38	57	2.00	8.4	3229	113.90	57	2.30	9.3	2930	103.36	57	2.50	6.0	4499	158.68	21	0.90	6.8	4021	141.83	28	1.00	7.5	3620	127.68	30	1.10	6.2	4377	229.95	25	0.90	7.0	3867	203.16	29	1.05	8.3	3280	172.34	31	1.20	9.0	3020	158.68	32	1.30	10	2699	141.83	34	1.50	11	2430	127.68	34	1.65	12	2201	115.63	34	1.80	14	1951	102.53	35	2.00	15	1764	92.70	35	2.30	18	1495	78.57	34	2.70	20	1387	72.88	33	2.90	9.5	2870	150.78	15	0.95	11	2412	126.75	22	1.15	12	2217	116.48	23	1.25	14	1969	103.44	25	1.40	15	1760	92.48	25	1.60	17	1583	83.15	26	1.75	20	1374	72.17	26	2.00	22	1241	65.21	26	2.20	24	1140	59.92	25	2.50	27	1013	53.21	24	2.80	30	906	47.58	24	3.10	33	814	42.78	23	3.40	39	707	37.13	22	4.00	43	633	33.25	21	4.20	15	1785	93.79	3.4	0.80	17	1566	82.27	15	0.90	20	1387	72.88	17	1.05	22	1217	63.96	17	1.20	24	1154	60.61	18	1.25	27	1010	53.05	19	1.45	30	910	47.79	19	1.60	34	798	41.92	18	1.80	39	704	37.00	18	2.10	44	624	32.80	17	2.30	51	533	28.00	17	2.60																																																																																																																																																																																																																																																																																																																													
4.5	6002	156.56	54	1.30	5.0	5419	141.35	55	1.40	5.5	4921	128.38	55	1.55	6.2	4366	113.90	56	1.75	6.9	3962	103.36	56	1.95	8.0	3406	88.85	57	2.30	4.3	6321	222.96	53	1.20	5.1	5351	188.75	55	1.40	5.5	4952	174.68	55	1.50	6.1	4439	156.56	56	1.70	6.8	4007	141.35	56	1.85	7.5	3640	128.38	57	2.00	8.4	3229	113.90	57	2.30	9.3	2930	103.36	57	2.50	6.0	4499	158.68	21	0.90	6.8	4021	141.83	28	1.00	7.5	3620	127.68	30	1.10	6.2	4377	229.95	25	0.90	7.0	3867	203.16	29	1.05	8.3	3280	172.34	31	1.20	9.0	3020	158.68	32	1.30	10	2699	141.83	34	1.50	11	2430	127.68	34	1.65	12	2201	115.63	34	1.80	14	1951	102.53	35	2.00	15	1764	92.70	35	2.30	18	1495	78.57	34	2.70	20	1387	72.88	33	2.90	9.5	2870	150.78	15	0.95	11	2412	126.75	22	1.15	12	2217	116.48	23	1.25	14	1969	103.44	25	1.40	15	1760	92.48	25	1.60	17	1583	83.15	26	1.75	20	1374	72.17	26	2.00	22	1241	65.21	26	2.20	24	1140	59.92	25	2.50	27	1013	53.21	24	2.80	30	906	47.58	24	3.10	33	814	42.78	23	3.40	39	707	37.13	22	4.00	43	633	33.25	21	4.20	15	1785	93.79	3.4	0.80	17	1566	82.27	15	0.90	20	1387	72.88	17	1.05	22	1217	63.96	17	1.20	24	1154	60.61	18	1.25	27	1010	53.05	19	1.45	30	910	47.79	19	1.60	34	798	41.92	18	1.80	39	704	37.00	18	2.10	44	624	32.80	17	2.30	51	533	28.00	17	2.60																																																																																																																																																																																																																																																																																																																																		
5.0	5419	141.35	55	1.40	5.5	4921	128.38	55	1.55	6.2	4366	113.90	56	1.75	6.9	3962	103.36	56	1.95	8.0	3406	88.85	57	2.30	4.3	6321	222.96	53	1.20	5.1	5351	188.75	55	1.40	5.5	4952	174.68	55	1.50	6.1	4439	156.56	56	1.70	6.8	4007	141.35	56	1.85	7.5	3640	128.38	57	2.00	8.4	3229	113.90	57	2.30	9.3	2930	103.36	57	2.50	6.0	4499	158.68	21	0.90	6.8	4021	141.83	28	1.00	7.5	3620	127.68	30	1.10	6.2	4377	229.95	25	0.90	7.0	3867	203.16	29	1.05	8.3	3280	172.34	31	1.20	9.0	3020	158.68	32	1.30	10	2699	141.83	34	1.50	11	2430	127.68	34	1.65	12	2201	115.63	34	1.80	14	1951	102.53	35	2.00	15	1764	92.70	35	2.30	18	1495	78.57	34	2.70	20	1387	72.88	33	2.90	9.5	2870	150.78	15	0.95	11	2412	126.75	22	1.15	12	2217	116.48	23	1.25	14	1969	103.44	25	1.40	15	1760	92.48	25	1.60	17	1583	83.15	26	1.75	20	1374	72.17	26	2.00	22	1241	65.21	26	2.20	24	1140	59.92	25	2.50	27	1013	53.21	24	2.80	30	906	47.58	24	3.10	33	814	42.78	23	3.40	39	707	37.13	22	4.00	43	633	33.25	21	4.20	15	1785	93.79	3.4	0.80	17	1566	82.27	15	0.90	20	1387	72.88	17	1.05	22	1217	63.96	17	1.20	24	1154	60.61	18	1.25	27	1010	53.05	19	1.45	30	910	47.79	19	1.60	34	798	41.92	18	1.80	39	704	37.00	18	2.10	44	624	32.80	17	2.30	51	533	28.00	17	2.60																																																																																																																																																																																																																																																																																																																																							
5.5	4921	128.38	55	1.55	6.2	4366	113.90	56	1.75	6.9	3962	103.36	56	1.95	8.0	3406	88.85	57	2.30	4.3	6321	222.96	53	1.20	5.1	5351	188.75	55	1.40	5.5	4952	174.68	55	1.50	6.1	4439	156.56	56	1.70	6.8	4007	141.35	56	1.85	7.5	3640	128.38	57	2.00	8.4	3229	113.90	57	2.30	9.3	2930	103.36	57	2.50	6.0	4499	158.68	21	0.90	6.8	4021	141.83	28	1.00	7.5	3620	127.68	30	1.10	6.2	4377	229.95	25	0.90	7.0	3867	203.16	29	1.05	8.3	3280	172.34	31	1.20	9.0	3020	158.68	32	1.30	10	2699	141.83	34	1.50	11	2430	127.68	34	1.65	12	2201	115.63	34	1.80	14	1951	102.53	35	2.00	15	1764	92.70	35	2.30	18	1495	78.57	34	2.70	20	1387	72.88	33	2.90	9.5	2870	150.78	15	0.95	11	2412	126.75	22	1.15	12	2217	116.48	23	1.25	14	1969	103.44	25	1.40	15	1760	92.48	25	1.60	17	1583	83.15	26	1.75	20	1374	72.17	26	2.00	22	1241	65.21	26	2.20	24	1140	59.92	25	2.50	27	1013	53.21	24	2.80	30	906	47.58	24	3.10	33	814	42.78	23	3.40	39	707	37.13	22	4.00	43	633	33.25	21	4.20	15	1785	93.79	3.4	0.80	17	1566	82.27	15	0.90	20	1387	72.88	17	1.05	22	1217	63.96	17	1.20	24	1154	60.61	18	1.25	27	1010	53.05	19	1.45	30	910	47.79	19	1.60	34	798	41.92	18	1.80	39	704	37.00	18	2.10	44	624	32.80	17	2.30	51	533	28.00	17	2.60																																																																																																																																																																																																																																																																																																																																												
6.2	4366	113.90	56	1.75	6.9	3962	103.36	56	1.95	8.0	3406	88.85	57	2.30	4.3	6321	222.96	53	1.20	5.1	5351	188.75	55	1.40	5.5	4952	174.68	55	1.50	6.1	4439	156.56	56	1.70	6.8	4007	141.35	56	1.85	7.5	3640	128.38	57	2.00	8.4	3229	113.90	57	2.30	9.3	2930	103.36	57	2.50	6.0	4499	158.68	21	0.90	6.8	4021	141.83	28	1.00	7.5	3620	127.68	30	1.10	6.2	4377	229.95	25	0.90	7.0	3867	203.16	29	1.05	8.3	3280	172.34	31	1.20	9.0	3020	158.68	32	1.30	10	2699	141.83	34	1.50	11	2430	127.68	34	1.65	12	2201	115.63	34	1.80	14	1951	102.53	35	2.00	15	1764	92.70	35	2.30	18	1495	78.57	34	2.70	20	1387	72.88	33	2.90	9.5	2870	150.78	15	0.95	11	2412	126.75	22	1.15	12	2217	116.48	23	1.25	14	1969	103.44	25	1.40	15	1760	92.48	25	1.60	17	1583	83.15	26	1.75	20	1374	72.17	26	2.00	22	1241	65.21	26	2.20	24	1140	59.92	25	2.50	27	1013	53.21	24	2.80	30	906	47.58	24	3.10	33	814	42.78	23	3.40	39	707	37.13	22	4.00	43	633	33.25	21	4.20	15	1785	93.79	3.4	0.80	17	1566	82.27	15	0.90	20	1387	72.88	17	1.05	22	1217	63.96	17	1.20	24	1154	60.61	18	1.25	27	1010	53.05	19	1.45	30	910	47.79	19	1.60	34	798	41.92	18	1.80	39	704	37.00	18	2.10	44	624	32.80	17	2.30	51	533	28.00	17	2.60																																																																																																																																																																																																																																																																																																																																																	
6.9	3962	103.36	56	1.95	8.0	3406	88.85	57	2.30	4.3	6321	222.96	53	1.20	5.1	5351	188.75	55	1.40	5.5	4952	174.68	55	1.50	6.1	4439	156.56	56	1.70	6.8	4007	141.35	56	1.85	7.5	3640	128.38	57	2.00	8.4	3229	113.90	57	2.30	9.3	2930	103.36	57	2.50	6.0	4499	158.68	21	0.90	6.8	4021	141.83	28	1.00	7.5	3620	127.68	30	1.10	6.2	4377	229.95	25	0.90	7.0	3867	203.16	29	1.05	8.3	3280	172.34	31	1.20	9.0	3020	158.68	32	1.30	10	2699	141.83	34	1.50	11	2430	127.68	34	1.65	12	2201	115.63	34	1.80	14	1951	102.53	35	2.00	15	1764	92.70	35	2.30	18	1495	78.57	34	2.70	20	1387	72.88	33	2.90	9.5	2870	150.78	15	0.95	11	2412	126.75	22	1.15	12	2217	116.48	23	1.25	14	1969	103.44	25	1.40	15	1760	92.48	25	1.60	17	1583	83.15	26	1.75	20	1374	72.17	26	2.00	22	1241	65.21	26	2.20	24	1140	59.92	25	2.50	27	1013	53.21	24	2.80	30	906	47.58	24	3.10	33	814	42.78	23	3.40	39	707	37.13	22	4.00	43	633	33.25	21	4.20	15	1785	93.79	3.4	0.80	17	1566	82.27	15	0.90	20	1387	72.88	17	1.05	22	1217	63.96	17	1.20	24	1154	60.61	18	1.25	27	1010	53.05	19	1.45	30	910	47.79	19	1.60	34	798	41.92	18	1.80	39	704	37.00	18	2.10	44	624	32.80	17	2.30	51	533	28.00	17	2.60																																																																																																																																																																																																																																																																																																																																																						
8.0	3406	88.85	57	2.30	4.3	6321	222.96	53	1.20	5.1	5351	188.75	55	1.40	5.5	4952	174.68	55	1.50	6.1	4439	156.56	56	1.70	6.8	4007	141.35	56	1.85	7.5	3640	128.38	57	2.00	8.4	3229	113.90	57	2.30	9.3	2930	103.36	57	2.50	6.0	4499	158.68	21	0.90	6.8	4021	141.83	28	1.00	7.5	3620	127.68	30	1.10	6.2	4377	229.95	25	0.90	7.0	3867	203.16	29	1.05	8.3	3280	172.34	31	1.20	9.0	3020	158.68	32	1.30	10	2699	141.83	34	1.50	11	2430	127.68	34	1.65	12	2201	115.63	34	1.80	14	1951	102.53	35	2.00	15	1764	92.70	35	2.30	18	1495	78.57	34	2.70	20	1387	72.88	33	2.90	9.5	2870	150.78	15	0.95	11	2412	126.75	22	1.15	12	2217	116.48	23	1.25	14	1969	103.44	25	1.40	15	1760	92.48	25	1.60	17	1583	83.15	26	1.75	20	1374	72.17	26	2.00	22	1241	65.21	26	2.20	24	1140	59.92	25	2.50	27	1013	53.21	24	2.80	30	906	47.58	24	3.10	33	814	42.78	23	3.40	39	707	37.13	22	4.00	43	633	33.25	21	4.20	15	1785	93.79	3.4	0.80	17	1566	82.27	15	0.90	20	1387	72.88	17	1.05	22	1217	63.96	17	1.20	24	1154	60.61	18	1.25	27	1010	53.05	19	1.45	30	910	47.79	19	1.60	34	798	41.92	18	1.80	39	704	37.00	18	2.10	44	624	32.80	17	2.30	51	533	28.00	17	2.60																																																																																																																																																																																																																																																																																																																																																											
4.3	6321	222.96	53	1.20	5.1	5351	188.75	55	1.40	5.5	4952	174.68	55	1.50	6.1	4439	156.56	56	1.70	6.8	4007	141.35	56	1.85	7.5	3640	128.38	57	2.00	8.4	3229	113.90	57	2.30	9.3	2930	103.36	57	2.50	6.0	4499	158.68	21	0.90	6.8	4021	141.83	28	1.00	7.5	3620	127.68	30	1.10	6.2	4377	229.95	25	0.90	7.0	3867	203.16	29	1.05	8.3	3280	172.34	31	1.20	9.0	3020	158.68	32	1.30	10	2699	141.83	34	1.50	11	2430	127.68	34	1.65	12	2201	115.63	34	1.80	14	1951	102.53	35	2.00	15	1764	92.70	35	2.30	18	1495	78.57	34	2.70	20	1387	72.88	33	2.90	9.5	2870	150.78	15	0.95	11	2412	126.75	22	1.15	12	2217	116.48	23	1.25	14	1969	103.44	25	1.40	15	1760	92.48	25	1.60	17	1583	83.15	26	1.75	20	1374	72.17	26	2.00	22	1241	65.21	26	2.20	24	1140	59.92	25	2.50	27	1013	53.21	24	2.80	30	906	47.58	24	3.10	33	814	42.78	23	3.40	39	707	37.13	22	4.00	43	633	33.25	21	4.20	15	1785	93.79	3.4	0.80	17	1566	82.27	15	0.90	20	1387	72.88	17	1.05	22	1217	63.96	17	1.20	24	1154	60.61	18	1.25	27	1010	53.05	19	1.45	30	910	47.79	19	1.60	34	798	41.92	18	1.80	39	704	37.00	18	2.10	44	624	32.80	17	2.30	51	533	28.00	17	2.60																																																																																																																																																																																																																																																																																																																																																																
5.1	5351	188.75	55	1.40	5.5	4952	174.68	55	1.50	6.1	4439	156.56	56	1.70	6.8	4007	141.35	56	1.85	7.5	3640	128.38	57	2.00	8.4	3229	113.90	57	2.30	9.3	2930	103.36	57	2.50	6.0	4499	158.68	21	0.90	6.8	4021	141.83	28	1.00	7.5	3620	127.68	30	1.10	6.2	4377	229.95	25	0.90	7.0	3867	203.16	29	1.05	8.3	3280	172.34	31	1.20	9.0	3020	158.68	32	1.30	10	2699	141.83	34	1.50	11	2430	127.68	34	1.65	12	2201	115.63	34	1.80	14	1951	102.53	35	2.00	15	1764	92.70	35	2.30	18	1495	78.57	34	2.70	20	1387	72.88	33	2.90	9.5	2870	150.78	15	0.95	11	2412	126.75	22	1.15	12	2217	116.48	23	1.25	14	1969	103.44	25	1.40	15	1760	92.48	25	1.60	17	1583	83.15	26	1.75	20	1374	72.17	26	2.00	22	1241	65.21	26	2.20	24	1140	59.92	25	2.50	27	1013	53.21	24	2.80	30	906	47.58	24	3.10	33	814	42.78	23	3.40	39	707	37.13	22	4.00	43	633	33.25	21	4.20	15	1785	93.79	3.4	0.80	17	1566	82.27	15	0.90	20	1387	72.88	17	1.05	22	1217	63.96	17	1.20	24	1154	60.61	18	1.25	27	1010	53.05	19	1.45	30	910	47.79	19	1.60	34	798	41.92	18	1.80	39	704	37.00	18	2.10	44	624	32.80	17	2.30	51	533	28.00	17	2.60																																																																																																																																																																																																																																																																																																																																																																					
5.5	4952	174.68	55	1.50	6.1	4439	156.56	56	1.70	6.8	4007	141.35	56	1.85	7.5	3640	128.38	57	2.00	8.4	3229	113.90	57	2.30	9.3	2930	103.36	57	2.50	6.0	4499	158.68	21	0.90	6.8	4021	141.83	28	1.00	7.5	3620	127.68	30	1.10	6.2	4377	229.95	25	0.90	7.0	3867	203.16	29	1.05	8.3	3280	172.34	31	1.20	9.0	3020	158.68	32	1.30	10	2699	141.83	34	1.50	11	2430	127.68	34	1.65	12	2201	115.63	34	1.80	14	1951	102.53	35	2.00	15	1764	92.70	35	2.30	18	1495	78.57	34	2.70	20	1387	72.88	33	2.90	9.5	2870	150.78	15	0.95	11	2412	126.75	22	1.15	12	2217	116.48	23	1.25	14	1969	103.44	25	1.40	15	1760	92.48	25	1.60	17	1583	83.15	26	1.75	20	1374	72.17	26	2.00	22	1241	65.21	26	2.20	24	1140	59.92	25	2.50	27	1013	53.21	24	2.80	30	906	47.58	24	3.10	33	814	42.78	23	3.40	39	707	37.13	22	4.00	43	633	33.25	21	4.20	15	1785	93.79	3.4	0.80	17	1566	82.27	15	0.90	20	1387	72.88	17	1.05	22	1217	63.96	17	1.20	24	1154	60.61	18	1.25	27	1010	53.05	19	1.45	30	910	47.79	19	1.60	34	798	41.92	18	1.80	39	704	37.00	18	2.10	44	624	32.80	17	2.30	51	533	28.00	17	2.60																																																																																																																																																																																																																																																																																																																																																																										
6.1	4439	156.56	56	1.70	6.8	4007	141.35	56	1.85	7.5	3640	128.38	57	2.00	8.4	3229	113.90	57	2.30	9.3	2930	103.36	57	2.50	6.0	4499	158.68	21	0.90	6.8	4021	141.83	28	1.00	7.5	3620	127.68	30	1.10	6.2	4377	229.95	25	0.90	7.0	3867	203.16	29	1.05	8.3	3280	172.34	31	1.20	9.0	3020	158.68	32	1.30	10	2699	141.83	34	1.50	11	2430	127.68	34	1.65	12	2201	115.63	34	1.80	14	1951	102.53	35	2.00	15	1764	92.70	35	2.30	18	1495	78.57	34	2.70	20	1387	72.88	33	2.90	9.5	2870	150.78	15	0.95	11	2412	126.75	22	1.15	12	2217	116.48	23	1.25	14	1969	103.44	25	1.40	15	1760	92.48	25	1.60	17	1583	83.15	26	1.75	20	1374	72.17	26	2.00	22	1241	65.21	26	2.20	24	1140	59.92	25	2.50	27	1013	53.21	24	2.80	30	906	47.58	24	3.10	33	814	42.78	23	3.40	39	707	37.13	22	4.00	43	633	33.25	21	4.20	15	1785	93.79	3.4	0.80	17	1566	82.27	15	0.90	20	1387	72.88	17	1.05	22	1217	63.96	17	1.20	24	1154	60.61	18	1.25	27	1010	53.05	19	1.45	30	910	47.79	19	1.60	34	798	41.92	18	1.80	39	704	37.00	18	2.10	44	624	32.80	17	2.30	51	533	28.00	17	2.60																																																																																																																																																																																																																																																																																																																																																																															
6.8	4007	141.35	56	1.85	7.5	3640	128.38	57	2.00	8.4	3229	113.90	57	2.30	9.3	2930	103.36	57	2.50	6.0	4499	158.68	21	0.90	6.8	4021	141.83	28	1.00	7.5	3620	127.68	30	1.10	6.2	4377	229.95	25	0.90	7.0	3867	203.16	29	1.05	8.3	3280	172.34	31	1.20	9.0	3020	158.68	32	1.30	10	2699	141.83	34	1.50	11	2430	127.68	34	1.65	12	2201	115.63	34	1.80	14	1951	102.53	35	2.00	15	1764	92.70	35	2.30	18	1495	78.57	34	2.70	20	1387	72.88	33	2.90	9.5	2870	150.78	15	0.95	11	2412	126.75	22	1.15	12	2217	116.48	23	1.25	14	1969	103.44	25	1.40	15	1760	92.48	25	1.60	17	1583	83.15	26	1.75	20	1374	72.17	26	2.00	22	1241	65.21	26	2.20	24	1140	59.92	25	2.50	27	1013	53.21	24	2.80	30	906	47.58	24	3.10	33	814	42.78	23	3.40	39	707	37.13	22	4.00	43	633	33.25	21	4.20	15	1785	93.79	3.4	0.80	17	1566	82.27	15	0.90	20	1387	72.88	17	1.05	22	1217	63.96	17	1.20	24	1154	60.61	18	1.25	27	1010	53.05	19	1.45	30	910	47.79	19	1.60	34	798	41.92	18	1.80	39	704	37.00	18	2.10	44	624	32.80	17	2.30	51	533	28.00	17	2.60																																																																																																																																																																																																																																																																																																																																																																																				
7.5	3640	128.38	57	2.00	8.4	3229	113.90	57	2.30	9.3	2930	103.36	57	2.50	6.0	4499	158.68	21	0.90	6.8	4021	141.83	28	1.00	7.5	3620	127.68	30	1.10	6.2	4377	229.95	25	0.90	7.0	3867	203.16	29	1.05	8.3	3280	172.34	31	1.20	9.0	3020	158.68	32	1.30	10	2699	141.83	34	1.50	11	2430	127.68	34	1.65	12	2201	115.63	34	1.80	14	1951	102.53	35	2.00	15	1764	92.70	35	2.30	18	1495	78.57	34	2.70	20	1387	72.88	33	2.90	9.5	2870	150.78	15	0.95	11	2412	126.75	22	1.15	12	2217	116.48	23	1.25	14	1969	103.44	25	1.40	15	1760	92.48	25	1.60	17	1583	83.15	26	1.75	20	1374	72.17	26	2.00	22	1241	65.21	26	2.20	24	1140	59.92	25	2.50	27	1013	53.21	24	2.80	30	906	47.58	24	3.10	33	814	42.78	23	3.40	39	707	37.13	22	4.00	43	633	33.25	21	4.20	15	1785	93.79	3.4	0.80	17	1566	82.27	15	0.90	20	1387	72.88	17	1.05	22	1217	63.96	17	1.20	24	1154	60.61	18	1.25	27	1010	53.05	19	1.45	30	910	47.79	19	1.60	34	798	41.92	18	1.80	39	704	37.00	18	2.10	44	624	32.80	17	2.30	51	533	28.00	17	2.60																																																																																																																																																																																																																																																																																																																																																																																									
8.4	3229	113.90	57	2.30	9.3	2930	103.36	57	2.50	6.0	4499	158.68	21	0.90	6.8	4021	141.83	28	1.00	7.5	3620	127.68	30	1.10	6.2	4377	229.95	25	0.90	7.0	3867	203.16	29	1.05	8.3	3280	172.34	31	1.20	9.0	3020	158.68	32	1.30	10	2699	141.83	34	1.50	11	2430	127.68	34	1.65	12	2201	115.63	34	1.80	14	1951	102.53	35	2.00	15	1764	92.70	35	2.30	18	1495	78.57	34	2.70	20	1387	72.88	33	2.90	9.5	2870	150.78	15	0.95	11	2412	126.75	22	1.15	12	2217	116.48	23	1.25	14	1969	103.44	25	1.40	15	1760	92.48	25	1.60	17	1583	83.15	26	1.75	20	1374	72.17	26	2.00	22	1241	65.21	26	2.20	24	1140	59.92	25	2.50	27	1013	53.21	24	2.80	30	906	47.58	24	3.10	33	814	42.78	23	3.40	39	707	37.13	22	4.00	43	633	33.25	21	4.20	15	1785	93.79	3.4	0.80	17	1566	82.27	15	0.90	20	1387	72.88	17	1.05	22	1217	63.96	17	1.20	24	1154	60.61	18	1.25	27	1010	53.05	19	1.45	30	910	47.79	19	1.60	34	798	41.92	18	1.80	39	704	37.00	18	2.10	44	624	32.80	17	2.30	51	533	28.00	17	2.60																																																																																																																																																																																																																																																																																																																																																																																														
9.3	2930	103.36	57	2.50	6.0	4499	158.68	21	0.90	6.8	4021	141.83	28	1.00	7.5	3620	127.68	30	1.10	6.2	4377	229.95	25	0.90	7.0	3867	203.16	29	1.05	8.3	3280	172.34	31	1.20	9.0	3020	158.68	32	1.30	10	2699	141.83	34	1.50	11	2430	127.68	34	1.65	12	2201	115.63	34	1.80	14	1951	102.53	35	2.00	15	1764	92.70	35	2.30	18	1495	78.57	34	2.70	20	1387	72.88	33	2.90	9.5	2870	150.78	15	0.95	11	2412	126.75	22	1.15	12	2217	116.48	23	1.25	14	1969	103.44	25	1.40	15	1760	92.48	25	1.60	17	1583	83.15	26	1.75	20	1374	72.17	26	2.00	22	1241	65.21	26	2.20	24	1140	59.92	25	2.50	27	1013	53.21	24	2.80	30	906	47.58	24	3.10	33	814	42.78	23	3.40	39	707	37.13	22	4.00	43	633	33.25	21	4.20	15	1785	93.79	3.4	0.80	17	1566	82.27	15	0.90	20	1387	72.88	17	1.05	22	1217	63.96	17	1.20	24	1154	60.61	18	1.25	27	1010	53.05	19	1.45	30	910	47.79	19	1.60	34	798	41.92	18	1.80	39	704	37.00	18	2.10	44	624	32.80	17	2.30	51	533	28.00	17	2.60																																																																																																																																																																																																																																																																																																																																																																																																			
6.0	4499	158.68	21	0.90	6.8	4021	141.83	28	1.00	7.5	3620	127.68	30	1.10	6.2	4377	229.95	25	0.90	7.0	3867	203.16	29	1.05	8.3	3280	172.34	31	1.20	9.0	3020	158.68	32	1.30	10	2699	141.83	34	1.50	11	2430	127.68	34	1.65	12	2201	115.63	34	1.80	14	1951	102.53	35	2.00	15	1764	92.70	35	2.30	18	1495	78.57	34	2.70	20	1387	72.88	33	2.90	9.5	2870	150.78	15	0.95	11	2412	126.75	22	1.15	12	2217	116.48	23	1.25	14	1969	103.44	25	1.40	15	1760	92.48	25	1.60	17	1583	83.15	26	1.75	20	1374	72.17	26	2.00	22	1241	65.21	26	2.20	24	1140	59.92	25	2.50	27	1013	53.21	24	2.80	30	906	47.58	24	3.10	33	814	42.78	23	3.40	39	707	37.13	22	4.00	43	633	33.25	21	4.20	15	1785	93.79	3.4	0.80	17	1566	82.27	15	0.90	20	1387	72.88	17	1.05	22	1217	63.96	17	1.20	24	1154	60.61	18	1.25	27	1010	53.05	19	1.45	30	910	47.79	19	1.60	34	798	41.92	18	1.80	39	704	37.00	18	2.10	44	624	32.80	17	2.30	51	533	28.00	17	2.60																																																																																																																																																																																																																																																																																																																																																																																																								
6.8	4021	141.83	28	1.00	7.5	3620	127.68	30	1.10	6.2	4377	229.95	25	0.90	7.0	3867	203.16	29	1.05	8.3	3280	172.34	31	1.20	9.0	3020	158.68	32	1.30	10	2699	141.83	34	1.50	11	2430	127.68	34	1.65	12	2201	115.63	34	1.80	14	1951	102.53	35	2.00	15	1764	92.70	35	2.30	18	1495	78.57	34	2.70	20	1387	72.88	33	2.90	9.5	2870	150.78	15	0.95	11	2412	126.75	22	1.15	12	2217	116.48	23	1.25	14	1969	103.44	25	1.40	15	1760	92.48	25	1.60	17	1583	83.15	26	1.75	20	1374	72.17	26	2.00	22	1241	65.21	26	2.20	24	1140	59.92	25	2.50	27	1013	53.21	24	2.80	30	906	47.58	24	3.10	33	814	42.78	23	3.40	39	707	37.13	22	4.00	43	633	33.25	21	4.20	15	1785	93.79	3.4	0.80	17	1566	82.27	15	0.90	20	1387	72.88	17	1.05	22	1217	63.96	17	1.20	24	1154	60.61	18	1.25	27	1010	53.05	19	1.45	30	910	47.79	19	1.60	34	798	41.92	18	1.80	39	704	37.00	18	2.10	44	624	32.80	17	2.30	51	533	28.00	17	2.60																																																																																																																																																																																																																																																																																																																																																																																																													
7.5	3620	127.68	30	1.10	6.2	4377	229.95	25	0.90	7.0	3867	203.16	29	1.05	8.3	3280	172.34	31	1.20	9.0	3020	158.68	32	1.30	10	2699	141.83	34	1.50	11	2430	127.68	34	1.65	12	2201	115.63	34	1.80	14	1951	102.53	35	2.00	15	1764	92.70	35	2.30	18	1495	78.57	34	2.70	20	1387	72.88	33	2.90	9.5	2870	150.78	15	0.95	11	2412	126.75	22	1.15	12	2217	116.48	23	1.25	14	1969	103.44	25	1.40	15	1760	92.48	25	1.60	17	1583	83.15	26	1.75	20	1374	72.17	26	2.00	22	1241	65.21	26	2.20	24	1140	59.92	25	2.50	27	1013	53.21	24	2.80	30	906	47.58	24	3.10	33	814	42.78	23	3.40	39	707	37.13	22	4.00	43	633	33.25	21	4.20	15	1785	93.79	3.4	0.80	17	1566	82.27	15	0.90	20	1387	72.88	17	1.05	22	1217	63.96	17	1.20	24	1154	60.61	18	1.25	27	1010	53.05	19	1.45	30	910	47.79	19	1.60	34	798	41.92	18	1.80	39	704	37.00	18	2.10	44	624	32.80	17	2.30	51	533	28.00	17	2.60																																																																																																																																																																																																																																																																																																																																																																																																																		
6.2	4377	229.95	25	0.90	7.0	3867	203.16	29	1.05	8.3	3280	172.34	31	1.20	9.0	3020	158.68	32	1.30	10	2699	141.83	34	1.50	11	2430	127.68	34	1.65	12	2201	115.63	34	1.80	14	1951	102.53	35	2.00	15	1764	92.70	35	2.30	18	1495	78.57	34	2.70	20	1387	72.88	33	2.90	9.5	2870	150.78	15	0.95	11	2412	126.75	22	1.15	12	2217	116.48	23	1.25	14	1969	103.44	25	1.40	15	1760	92.48	25	1.60	17	1583	83.15	26	1.75	20	1374	72.17	26	2.00	22	1241	65.21	26	2.20	24	1140	59.92	25	2.50	27	1013	53.21	24	2.80	30	906	47.58	24	3.10	33	814	42.78	23	3.40	39	707	37.13	22	4.00	43	633	33.25	21	4.20	15	1785	93.79	3.4	0.80	17	1566	82.27	15	0.90	20	1387	72.88	17	1.05	22	1217	63.96	17	1.20	24	1154	60.61	18	1.25	27	1010	53.05	19	1.45	30	910	47.79	19	1.60	34	798	41.92	18	1.80	39	704	37.00	18	2.10	44	624	32.80	17	2.30	51	533	28.00	17	2.60																																																																																																																																																																																																																																																																																																																																																																																																																							
7.0	3867	203.16	29	1.05	8.3	3280	172.34	31	1.20	9.0	3020	158.68	32	1.30	10	2699	141.83	34	1.50	11	2430	127.68	34	1.65	12	2201	115.63	34	1.80	14	1951	102.53	35	2.00	15	1764	92.70	35	2.30	18	1495	78.57	34	2.70	20	1387	72.88	33	2.90	9.5	2870	150.78	15	0.95	11	2412	126.75	22	1.15	12	2217	116.48	23	1.25	14	1969	103.44	25	1.40	15	1760	92.48	25	1.60	17	1583	83.15	26	1.75	20	1374	72.17	26	2.00	22	1241	65.21	26	2.20	24	1140	59.92	25	2.50	27	1013	53.21	24	2.80	30	906	47.58	24	3.10	33	814	42.78	23	3.40	39	707	37.13	22	4.00	43	633	33.25	21	4.20	15	1785	93.79	3.4	0.80	17	1566	82.27	15	0.90	20	1387	72.88	17	1.05	22	1217	63.96	17	1.20	24	1154	60.61	18	1.25	27	1010	53.05	19	1.45	30	910	47.79	19	1.60	34	798	41.92	18	1.80	39	704	37.00	18	2.10	44	624	32.80	17	2.30	51	533	28.00	17	2.60																																																																																																																																																																																																																																																																																																																																																																																																																												
8.3	3280	172.34	31	1.20	9.0	3020	158.68	32	1.30	10	2699	141.83	34	1.50	11	2430	127.68	34	1.65	12	2201	115.63	34	1.80	14	1951	102.53	35	2.00	15	1764	92.70	35	2.30	18	1495	78.57	34	2.70	20	1387	72.88	33	2.90	9.5	2870	150.78	15	0.95	11	2412	126.75	22	1.15	12	2217	116.48	23	1.25	14	1969	103.44	25	1.40	15	1760	92.48	25	1.60	17	1583	83.15	26	1.75	20	1374	72.17	26	2.00	22	1241	65.21	26	2.20	24	1140	59.92	25	2.50	27	1013	53.21	24	2.80	30	906	47.58	24	3.10	33	814	42.78	23	3.40	39	707	37.13	22	4.00	43	633	33.25	21	4.20	15	1785	93.79	3.4	0.80	17	1566	82.27	15	0.90	20	1387	72.88	17	1.05	22	1217	63.96	17	1.20	24	1154	60.61	18	1.25	27	1010	53.05	19	1.45	30	910	47.79	19	1.60	34	798	41.92	18	1.80	39	704	37.00	18	2.10	44	624	32.80	17	2.30	51	533	28.00	17	2.60																																																																																																																																																																																																																																																																																																																																																																																																																																	
9.0	3020	158.68	32	1.30	10	2699	141.83	34	1.50	11	2430	127.68	34	1.65	12	2201	115.63	34	1.80	14	1951	102.53	35	2.00	15	1764	92.70	35	2.30	18	1495	78.57	34	2.70	20	1387	72.88	33	2.90	9.5	2870	150.78	15	0.95	11	2412	126.75	22	1.15	12	2217	116.48	23	1.25	14	1969	103.44	25	1.40	15	1760	92.48	25	1.60	17	1583	83.15	26	1.75	20	1374	72.17	26	2.00	22	1241	65.21	26	2.20	24	1140	59.92	25	2.50	27	1013	53.21	24	2.80	30	906	47.58	24	3.10	33	814	42.78	23	3.40	39	707	37.13	22	4.00	43	633	33.25	21	4.20	15	1785	93.79	3.4	0.80	17	1566	82.27	15	0.90	20	1387	72.88	17	1.05	22	1217	63.96	17	1.20	24	1154	60.61	18	1.25	27	1010	53.05	19	1.45	30	910	47.79	19	1.60	34	798	41.92	18	1.80	39	704	37.00	18	2.10	44	624	32.80	17	2.30	51	533	28.00	17	2.60																																																																																																																																																																																																																																																																																																																																																																																																																																						
10	2699	141.83	34	1.50	11	2430	127.68	34	1.65	12	2201	115.63	34	1.80	14	1951	102.53	35	2.00	15	1764	92.70	35	2.30	18	1495	78.57	34	2.70	20	1387	72.88	33	2.90	9.5	2870	150.78	15	0.95	11	2412	126.75	22	1.15	12	2217	116.48	23	1.25	14	1969	103.44	25	1.40	15	1760	92.48	25	1.60	17	1583	83.15	26	1.75	20	1374	72.17	26	2.00	22	1241	65.21	26	2.20	24	1140	59.92	25	2.50	27	1013	53.21	24	2.80	30	906	47.58	24	3.10	33	814	42.78	23	3.40	39	707	37.13	22	4.00	43	633	33.25	21	4.20	15	1785	93.79	3.4	0.80	17	1566	82.27	15	0.90	20	1387	72.88	17	1.05	22	1217	63.96	17	1.20	24	1154	60.61	18	1.25	27	1010	53.05	19	1.45	30	910	47.79	19	1.60	34	798	41.92	18	1.80	39	704	37.00	18	2.10	44	624	32.80	17	2.30	51	533	28.00	17	2.60																																																																																																																																																																																																																																																																																																																																																																																																																																											
11	2430	127.68	34	1.65	12	2201	115.63	34	1.80	14	1951	102.53	35	2.00	15	1764	92.70	35	2.30	18	1495	78.57	34	2.70	20	1387	72.88	33	2.90	9.5	2870	150.78	15	0.95	11	2412	126.75	22	1.15	12	2217	116.48	23	1.25	14	1969	103.44	25	1.40	15	1760	92.48	25	1.60	17	1583	83.15	26	1.75	20	1374	72.17	26	2.00	22	1241	65.21	26	2.20	24	1140	59.92	25	2.50	27	1013	53.21	24	2.80	30	906	47.58	24	3.10	33	814	42.78	23	3.40	39	707	37.13	22	4.00	43	633	33.25	21	4.20	15	1785	93.79	3.4	0.80	17	1566	82.27	15	0.90	20	1387	72.88	17	1.05	22	1217	63.96	17	1.20	24	1154	60.61	18	1.25	27	1010	53.05	19	1.45	30	910	47.79	19	1.60	34	798	41.92	18	1.80	39	704	37.00	18	2.10	44	624	32.80	17	2.30	51	533	28.00	17	2.60																																																																																																																																																																																																																																																																																																																																																																																																																																																
12	2201	115.63	34	1.80	14	1951	102.53	35	2.00	15	1764	92.70	35	2.30	18	1495	78.57	34	2.70	20	1387	72.88	33	2.90	9.5	2870	150.78	15	0.95	11	2412	126.75	22	1.15	12	2217	116.48	23	1.25	14	1969	103.44	25	1.40	15	1760	92.48	25	1.60	17	1583	83.15	26	1.75	20	1374	72.17	26	2.00	22	1241	65.21	26	2.20	24	1140	59.92	25	2.50	27	1013	53.21	24	2.80	30	906	47.58	24	3.10	33	814	42.78	23	3.40	39	707	37.13	22	4.00	43	633	33.25	21	4.20	15	1785	93.79	3.4	0.80	17	1566	82.27	15	0.90	20	1387	72.88	17	1.05	22	1217	63.96	17	1.20	24	1154	60.61	18	1.25	27	1010	53.05	19	1.45	30	910	47.79	19	1.60	34	798	41.92	18	1.80	39	704	37.00	18	2.10	44	624	32.80	17	2.30	51	533	28.00	17	2.60																																																																																																																																																																																																																																																																																																																																																																																																																																																					
14	1951	102.53	35	2.00	15	1764	92.70	35	2.30	18	1495	78.57	34	2.70	20	1387	72.88	33	2.90	9.5	2870	150.78	15	0.95	11	2412	126.75	22	1.15	12	2217	116.48	23	1.25	14	1969	103.44	25	1.40	15	1760	92.48	25	1.60	17	1583	83.15	26	1.75	20	1374	72.17	26	2.00	22	1241	65.21	26	2.20	24	1140	59.92	25	2.50	27	1013	53.21	24	2.80	30	906	47.58	24	3.10	33	814	42.78	23	3.40	39	707	37.13	22	4.00	43	633	33.25	21	4.20	15	1785	93.79	3.4	0.80	17	1566	82.27	15	0.90	20	1387	72.88	17	1.05	22	1217	63.96	17	1.20	24	1154	60.61	18	1.25	27	1010	53.05	19	1.45	30	910	47.79	19	1.60	34	798	41.92	18	1.80	39	704	37.00	18	2.10	44	624	32.80	17	2.30	51	533	28.00	17	2.60																																																																																																																																																																																																																																																																																																																																																																																																																																																										
15	1764	92.70	35	2.30	18	1495	78.57	34	2.70	20	1387	72.88	33	2.90	9.5	2870	150.78	15	0.95	11	2412	126.75	22	1.15	12	2217	116.48	23	1.25	14	1969	103.44	25	1.40	15	1760	92.48	25	1.60	17	1583	83.15	26	1.75	20	1374	72.17	26	2.00	22	1241	65.21	26	2.20	24	1140	59.92	25	2.50	27	1013	53.21	24	2.80	30	906	47.58	24	3.10	33	814	42.78	23	3.40	39	707	37.13	22	4.00	43	633	33.25	21	4.20	15	1785	93.79	3.4	0.80	17	1566	82.27	15	0.90	20	1387	72.88	17	1.05	22	1217	63.96	17	1.20	24	1154	60.61	18	1.25	27	1010	53.05	19	1.45	30	910	47.79	19	1.60	34	798	41.92	18	1.80	39	704	37.00	18	2.10	44	624	32.80	17	2.30	51	533	28.00	17	2.60																																																																																																																																																																																																																																																																																																																																																																																																																																																															
18	1495	78.57	34	2.70	20	1387	72.88	33	2.90	9.5	2870	150.78	15	0.95	11	2412	126.75	22	1.15	12	2217	116.48	23	1.25	14	1969	103.44	25	1.40	15	1760	92.48	25	1.60	17	1583	83.15	26	1.75	20	1374	72.17	26	2.00	22	1241	65.21	26	2.20	24	1140	59.92	25	2.50	27	1013	53.21	24	2.80	30	906	47.58	24	3.10	33	814	42.78	23	3.40	39	707	37.13	22	4.00	43	633	33.25	21	4.20	15	1785	93.79	3.4	0.80	17	1566	82.27	15	0.90	20	1387	72.88	17	1.05	22	1217	63.96	17	1.20	24	1154	60.61	18	1.25	27	1010	53.05	19	1.45	30	910	47.79	19	1.60	34	798	41.92	18	1.80	39	704	37.00	18	2.10	44	624	32.80	17	2.30	51	533	28.00	17	2.60																																																																																																																																																																																																																																																																																																																																																																																																																																																																				
20	1387	72.88	33	2.90	9.5	2870	150.78	15	0.95	11	2412	126.75	22	1.15	12	2217	116.48	23	1.25	14	1969	103.44	25	1.40	15	1760	92.48	25	1.60	17	1583	83.15	26	1.75	20	1374	72.17	26	2.00	22	1241	65.21	26	2.20	24	1140	59.92	25	2.50	27	1013	53.21	24	2.80	30	906	47.58	24	3.10	33	814	42.78	23	3.40	39	707	37.13	22	4.00	43	633	33.25	21	4.20	15	1785	93.79	3.4	0.80	17	1566	82.27	15	0.90	20	1387	72.88	17	1.05	22	1217	63.96	17	1.20	24	1154	60.61	18	1.25	27	1010	53.05	19	1.45	30	910	47.79	19	1.60	34	798	41.92	18	1.80	39	704	37.00	18	2.10	44	624	32.80	17	2.30	51	533	28.00	17	2.60																																																																																																																																																																																																																																																																																																																																																																																																																																																																									
9.5	2870	150.78	15	0.95	11	2412	126.75	22	1.15	12	2217	116.48	23	1.25	14	1969	103.44	25	1.40	15	1760	92.48	25	1.60	17	1583	83.15	26	1.75	20	1374	72.17	26	2.00	22	1241	65.21	26	2.20	24	1140	59.92	25	2.50	27	1013	53.21	24	2.80	30	906	47.58	24	3.10	33	814	42.78	23	3.40	39	707	37.13	22	4.00	43	633	33.25	21	4.20	15	1785	93.79	3.4	0.80	17	1566	82.27	15	0.90	20	1387	72.88	17	1.05	22	1217	63.96	17	1.20	24	1154	60.61	18	1.25	27	1010	53.05	19	1.45	30	910	47.79	19	1.60	34	798	41.92	18	1.80	39	704	37.00	18	2.10	44	624	32.80	17	2.30	51	533	28.00	17	2.60																																																																																																																																																																																																																																																																																																																																																																																																																																																																														
11	2412	126.75	22	1.15	12	2217	116.48	23	1.25	14	1969	103.44	25	1.40	15	1760	92.48	25	1.60	17	1583	83.15	26	1.75	20	1374	72.17	26	2.00	22	1241	65.21	26	2.20	24	1140	59.92	25	2.50	27	1013	53.21	24	2.80	30	906	47.58	24	3.10	33	814	42.78	23	3.40	39	707	37.13	22	4.00	43	633	33.25	21	4.20	15	1785	93.79	3.4	0.80	17	1566	82.27	15	0.90	20	1387	72.88	17	1.05	22	1217	63.96	17	1.20	24	1154	60.61	18	1.25	27	1010	53.05	19	1.45	30	910	47.79	19	1.60	34	798	41.92	18	1.80	39	704	37.00	18	2.10	44	624	32.80	17	2.30	51	533	28.00	17	2.60																																																																																																																																																																																																																																																																																																																																																																																																																																																																																			
12	2217	116.48	23	1.25	14	1969	103.44	25	1.40	15	1760	92.48	25	1.60	17	1583	83.15	26	1.75	20	1374	72.17	26	2.00	22	1241	65.21	26	2.20	24	1140	59.92	25	2.50	27	1013	53.21	24	2.80	30	906	47.58	24	3.10	33	814	42.78	23	3.40	39	707	37.13	22	4.00	43	633	33.25	21	4.20	15	1785	93.79	3.4	0.80	17	1566	82.27	15	0.90	20	1387	72.88	17	1.05	22	1217	63.96	17	1.20	24	1154	60.61	18	1.25	27	1010	53.05	19	1.45	30	910	47.79	19	1.60	34	798	41.92	18	1.80	39	704	37.00	18	2.10	44	624	32.80	17	2.30	51	533	28.00	17	2.60																																																																																																																																																																																																																																																																																																																																																																																																																																																																																								
14	1969	103.44	25	1.40	15	1760	92.48	25	1.60	17	1583	83.15	26	1.75	20	1374	72.17	26	2.00	22	1241	65.21	26	2.20	24	1140	59.92	25	2.50	27	1013	53.21	24	2.80	30	906	47.58	24	3.10	33	814	42.78	23	3.40	39	707	37.13	22	4.00	43	633	33.25	21	4.20	15	1785	93.79	3.4	0.80	17	1566	82.27	15	0.90	20	1387	72.88	17	1.05	22	1217	63.96	17	1.20	24	1154	60.61	18	1.25	27	1010	53.05	19	1.45	30	910	47.79	19	1.60	34	798	41.92	18	1.80	39	704	37.00	18	2.10	44	624	32.80	17	2.30	51	533	28.00	17	2.60																																																																																																																																																																																																																																																																																																																																																																																																																																																																																													
15	1760	92.48	25	1.60	17	1583	83.15	26	1.75	20	1374	72.17	26	2.00	22	1241	65.21	26	2.20	24	1140	59.92	25	2.50	27	1013	53.21	24	2.80	30	906	47.58	24	3.10	33	814	42.78	23	3.40	39	707	37.13	22	4.00	43	633	33.25	21	4.20	15	1785	93.79	3.4	0.80	17	1566	82.27	15	0.90	20	1387	72.88	17	1.05	22	1217	63.96	17	1.20	24	1154	60.61	18	1.25	27	1010	53.05	19	1.45	30	910	47.79	19	1.60	34	798	41.92	18	1.80	39	704	37.00	18	2.10	44	624	32.80	17	2.30	51	533	28.00	17	2.60																																																																																																																																																																																																																																																																																																																																																																																																																																																																																																		
17	1583	83.15	26	1.75	20	1374	72.17	26	2.00	22	1241	65.21	26	2.20	24	1140	59.92	25	2.50	27	1013	53.21	24	2.80	30	906	47.58	24	3.10	33	814	42.78	23	3.40	39	707	37.13	22	4.00	43	633	33.25	21	4.20	15	1785	93.79	3.4	0.80	17	1566	82.27	15	0.90	20	1387	72.88	17	1.05	22	1217	63.96	17	1.20	24	1154	60.61	18	1.25	27	1010	53.05	19	1.45	30	910	47.79	19	1.60	34	798	41.92	18	1.80	39	704	37.00	18	2.10	44	624	32.80	17	2.30	51	533	28.00	17	2.60																																																																																																																																																																																																																																																																																																																																																																																																																																																																																																							
20	1374	72.17	26	2.00	22	1241	65.21	26	2.20	24	1140	59.92	25	2.50	27	1013	53.21	24	2.80	30	906	47.58	24	3.10	33	814	42.78	23	3.40	39	707	37.13	22	4.00	43	633	33.25	21	4.20	15	1785	93.79	3.4	0.80	17	1566	82.27	15	0.90	20	1387	72.88	17	1.05	22	1217	63.96	17	1.20	24	1154	60.61	18	1.25	27	1010	53.05	19	1.45	30	910	47.79	19	1.60	34	798	41.92	18	1.80	39	704	37.00	18	2.10	44	624	32.80	17	2.30	51	533	28.00	17	2.60																																																																																																																																																																																																																																																																																																																																																																																																																																																																																																												
22	1241	65.21	26	2.20	24	1140	59.92	25	2.50	27	1013	53.21	24	2.80	30	906	47.58	24	3.10	33	814	42.78	23	3.40	39	707	37.13	22	4.00	43	633	33.25	21	4.20	15	1785	93.79	3.4	0.80	17	1566	82.27	15	0.90	20	1387	72.88	17	1.05	22	1217	63.96	17	1.20	24	1154	60.61	18	1.25	27	1010	53.05	19	1.45	30	910	47.79	19	1.60	34	798	41.92	18	1.80	39	704	37.00	18	2.10	44	624	32.80	17	2.30	51	533	28.00	17	2.60																																																																																																																																																																																																																																																																																																																																																																																																																																																																																																																	
24	1140	59.92	25	2.50	27	1013	53.21	24	2.80	30	906	47.58	24	3.10	33	814	42.78	23	3.40	39	707	37.13	22	4.00	43	633	33.25	21	4.20	15	1785	93.79	3.4	0.80	17	1566	82.27	15	0.90	20	1387	72.88	17	1.05	22	1217	63.96	17	1.20	24	1154	60.61	18	1.25	27	1010	53.05	19	1.45	30	910	47.79	19	1.60	34	798	41.92	18	1.80	39	704	37.00	18	2.10	44	624	32.80	17	2.30	51	533	28.00	17	2.60																																																																																																																																																																																																																																																																																																																																																																																																																																																																																																																						
27	1013	53.21	24	2.80	30	906	47.58	24	3.10	33	814	42.78	23	3.40	39	707	37.13	22	4.00	43	633	33.25	21	4.20	15	1785	93.79	3.4	0.80	17	1566	82.27	15	0.90	20	1387	72.88	17	1.05	22	1217	63.96	17	1.20	24	1154	60.61	18	1.25	27	1010	53.05	19	1.45	30	910	47.79	19	1.60	34	798	41.92	18	1.80	39	704	37.00	18	2.10	44	624	32.80	17	2.30	51	533	28.00	17	2.60																																																																																																																																																																																																																																																																																																																																																																																																																																																																																																																											
30	906	47.58	24	3.10	33	814	42.78	23	3.40	39	707	37.13	22	4.00	43	633	33.25	21	4.20	15	1785	93.79	3.4	0.80	17	1566	82.27	15	0.90	20	1387	72.88	17	1.05	22	1217	63.96	17	1.20	24	1154	60.61	18	1.25	27	1010	53.05	19	1.45	30	910	47.79	19	1.60	34	798	41.92	18	1.80	39	704	37.00	18	2.10	44	624	32.80	17	2.30	51	533	28.00	17	2.60																																																																																																																																																																																																																																																																																																																																																																																																																																																																																																																																
33	814	42.78	23	3.40	39	707	37.13	22	4.00	43	633	33.25	21	4.20	15	1785	93.79	3.4	0.80	17	1566	82.27	15	0.90	20	1387	72.88	17	1.05	22	1217	63.96	17	1.20	24	1154	60.61	18	1.25	27	1010	53.05	19	1.45	30	910	47.79	19	1.60	34	798	41.92	18	1.80	39	704	37.00	18	2.10	44	624	32.80	17	2.30	51	533	28.00	17	2.60																																																																																																																																																																																																																																																																																																																																																																																																																																																																																																																																					
39	707	37.13	22	4.00	43	633	33.25	21	4.20	15	1785	93.79	3.4	0.80	17	1566	82.27	15	0.90	20	1387	72.88	17	1.05	22	1217	63.96	17	1.20	24	1154	60.61	18	1.25	27	1010	53.05	19	1.45	30	910	47.79	19	1.60	34	798	41.92	18	1.80	39	704	37.00	18	2.10	44	624	32.80	17	2.30	51	533	28.00	17	2.60																																																																																																																																																																																																																																																																																																																																																																																																																																																																																																																																										
43	633	33.25	21	4.20	15	1785	93.79	3.4	0.80	17	1566	82.27	15	0.90	20	1387	72.88	17	1.05	22	1217	63.96	17	1.20	24	1154	60.61	18	1.25	27	1010	53.05	19	1.45	30	910	47.79	19	1.60	34	798	41.92	18	1.80	39	704	37.00	18	2.10	44	624	32.80	17	2.30	51	533	28.00	17	2.60																																																																																																																																																																																																																																																																																																																																																																																																																																																																																																																																															
15	1785	93.79	3.4	0.80	17	1566	82.27	15	0.90	20	1387	72.88	17	1.05	22	1217	63.96	17	1.20	24	1154	60.61	18	1.25	27	1010	53.05	19	1.45	30	910	47.79	19	1.60	34	798	41.92	18	1.80	39	704	37.00	18	2.10	44	624	32.80	17	2.30	51	533	28.00	17	2.60																																																																																																																																																																																																																																																																																																																																																																																																																																																																																																																																																				
17	1566	82.27	15	0.90	20	1387	72.88	17	1.05	22	1217	63.96	17	1.20	24	1154	60.61	18	1.25	27	1010	53.05	19	1.45	30	910	47.79	19	1.60	34	798	41.92	18	1.80	39	704	37.00	18	2.10	44	624	32.80	17	2.30	51	533	28.00	17	2.60																																																																																																																																																																																																																																																																																																																																																																																																																																																																																																																																																									
20	1387	72.88	17	1.05	22	1217	63.96	17	1.20	24	1154	60.61	18	1.25	27	1010	53.05	19	1.45	30	910	47.79	19	1.60	34	798	41.92	18	1.80	39	704	37.00	18	2.10	44	624	32.80	17	2.30	51	533	28.00	17	2.60																																																																																																																																																																																																																																																																																																																																																																																																																																																																																																																																																														
22	1217	63.96	17	1.20	24	1154	60.61	18	1.25	27	1010	53.05	19	1.45	30	910	47.79	19	1.60	34	798	41.92	18	1.80	39	704	37.00	18	2.10	44	624	32.80	17	2.30	51	533	28.00	17	2.60																																																																																																																																																																																																																																																																																																																																																																																																																																																																																																																																																																			
24	1154	60.61	18	1.25	27	1010	53.05	19	1.45	30	910	47.79	19	1.60	34	798	41.92	18	1.80	39	704	37.00	18	2.10	44	624	32.80	17	2.30	51	533	28.00	17	2.60																																																																																																																																																																																																																																																																																																																																																																																																																																																																																																																																																																								
27	1010	53.05	19	1.45	30	910	47.79	19	1.60	34	798	41.92	18	1.80	39	704	37.00	18	2.10	44	624	32.80	17	2.30	51	533	28.00	17	2.60																																																																																																																																																																																																																																																																																																																																																																																																																																																																																																																																																																													
30	910	47.79	19	1.60	34	798	41.92	18	1.80	39	704	37.00	18	2.10	44	624	32.80	17	2.30	51	533	28.00	17	2.60																																																																																																																																																																																																																																																																																																																																																																																																																																																																																																																																																																																		
34	798	41.92	18	1.80	39	704	37.00	18	2.10	44	624	32.80	17	2.30	51	533	28.00	17	2.60																																																																																																																																																																																																																																																																																																																																																																																																																																																																																																																																																																																							
39	704	37.00	18	2.10	44	624	32.80	17	2.30	51	533	28.00	17	2.60																																																																																																																																																																																																																																																																																																																																																																																																																																																																																																																																																																																												
44	624	32.80	17	2.30	51	533	28.00	17	2.60																																																																																																																																																																																																																																																																																																																																																																																																																																																																																																																																																																																																	
51	533	28.00	17	2.60																																																																																																																																																																																																																																																																																																																																																																																																																																																																																																																																																																																																						

选型参数表
(恒功率)

Selection Table
(Constant Power)

n_a [r/min]	Ma [Nm]	i	F_{ra} [kN]	f_B	机型号 Type size	极数 Pole	n_a [r/min]	Ma [Nm]	i	F_{ra} [kN]	f_B	机型号 Type size	极数 Pole																																																																																																																																																																																																																																																																																																																																																																																																																																																																																																																																																							
3.0kW							3.0kW																																																																																																																																																																																																																																																																																																																																																																																																																																																																																																																																																													
41	658	34.55	17	2.10	GR87 GRF87	4P	158	173	9.07	2.8	1.20	GR47 GRF47	4P																																																																																																																																																																																																																																																																																																																																																																																																																																																																																																																																																							
45	600	31.53	17	2.40			51	532	27.96	17	2.70			61	447	23.51	16	3.20	66	411	21.60	15	3.40	75	365	19.18	15	3.70	83	326	17.15	14	4.00	93	293	15.42	14	4.30	31	872	45.81	8.2	0.85	GR77 GRF77	4P	243	112	11.79	2.5	2.00	GR47 GRF47	2P	33	823	43.26	8.8	0.95	39	701	36.83	10	1.10	43	637	33.47	10	1.20	49	552	29.00	11	1.40	57	480	25.23	11	1.50	61	445	23.37	11	1.70	GR77 GRF77	4P	412	66	6.96	2.2	2.20	GR37 GRF37	4P	67	408	21.43	10	1.85	76	358	18.80	10	2.00	80	339	17.82	10	2.10	92	297	15.60	9.5	2.30	102	267	14.05	9.2	2.50	116	235	12.33	8.9	2.70	131	207	10.88	8.6	3.00	148	183	9.64	8.3	3.20	166	163	8.59	8.1	3.60	185	147	7.74	7.8	3.80	211	129	6.79	7.5	4.20	61	446	23.44	8.3	1.15	GR67 GRF67	4P	141	186	10.11	0.7	0.80	GR37 GRF37	2P	72	379	19.89	8.0	1.45	80	342	17.95	7.8	1.60	91	301	15.79	7.6	1.75	96	284	14.91	7.5	1.80	113	242	12.70	7.2	2.00	124	220	11.54	7.0	2.10	143	190	10.00	6.7	2.30	53	513	26.97	4.1	0.80	GR57 GRF57	4P	284	93	10.11	2.2	1.65	GR37 GRF37	2P	65	417	21.93	4.2	1.00	77	354	18.60	4.1	1.20	85	320	16.79	4.0	1.30	97	281	14.77	4.0	1.45	103	266	13.95	3.9	1.50	120	226	11.88	3.8	1.65	133	205	10.79	3.7	1.75	153	178	9.35	3.6	1.95	GR57 GRF57	4P	303	87	9.47	2.3	1.70	GR27 GRF27	4P	158	172	9.06	3.6	2.00	179	152	7.97	3.5	2.20	190	143	7.53	3.5	2.30	223	122	6.41	3.3	2.60	246	111	5.82	3.3	2.70	283	96	5.05	3.1	3.00	326	84	4.39	3.0	3.10	131	208	21.93	3.8	2.00	GR57 GRF57	2P	331	80	4.32	2.0	1.45	GR27 GRF27	2P	154	176	18.60	3.6	2.40	171	159	16.79	3.5	2.60	194	140	14.77	3.4	2.90	206	132	13.95	3.4	3.00	242	113	11.88	3.3	3.30	266	102	10.79	3.2	3.50	88	309	16.22	1.9	0.85	GR47 GRF47	4P	353	75	4.05	2.0	1.45	GRX87 GRXF87	4P	98	277	14.56	2.4	0.90	114	239	12.54	2.9	0.95	121	224	11.79	2.9	1.00	141	193	10.15	2.8	1.10	222	126	6.45	6.8	1.45	GRX77 GRXF77	4P	257	109	5.56	6.5	2.00	282	99	5.07	6.3	2.40	318	88	4.50	6.1	3.20	378	74	3.78	5.8	3.90	440	63	3.25	4.3	2.70	464	60	3.08	4.3	3.10	379	74	3.77	3.0	1.15	GRX67 GRXF67	4P	447	63	3.20	2.9	1.55	495	56	2.89	2.8	1.80	563	50	2.54	2.7	2.30																																																																																																																						
51	532	27.96	17	2.70			61	447	23.51	16	3.20			66	411	21.60	15	3.40	75	365	19.18	15	3.70	83	326	17.15	14	4.00	93	293	15.42	14	4.30	31	872	45.81	8.2	0.85	GR77 GRF77	4P	243	112	11.79			2.5	2.00	GR47 GRF47	2P	33			823	43.26	8.8	0.95	39	701	36.83	10	1.10	43	637	33.47	10	1.20	49	552	29.00	11	1.40	57	480	25.23	11	1.50	61	445	23.37	11	1.70	GR77 GRF77			4P	412	66	6.96	2.2			2.20	GR37 GRF37	4P	67	408	21.43	10	1.85	76	358	18.80	10	2.00	80	339	17.82	10	2.10	92	297	15.60	9.5	2.30	102	267	14.05	9.2	2.50	116	235	12.33	8.9	2.70	131	207	10.88	8.6	3.00	148	183	9.64	8.3	3.20	166	163	8.59	8.1	3.60	185	147	7.74	7.8	3.80	211	129	6.79	7.5	4.20	61	446			23.44	8.3	1.15	GR67 GRF67	4P			141	186	10.11	0.7	0.80	GR37 GRF37	2P	72	379	19.89	8.0	1.45	80	342	17.95	7.8	1.60	91	301	15.79	7.6	1.75	96	284	14.91	7.5	1.80	113	242	12.70	7.2	2.00	124	220	11.54	7.0	2.10	143	190	10.00	6.7	2.30	53	513	26.97	4.1	0.80			GR57 GRF57	4P	284	93	10.11	2.2	1.65	GR37 GRF37	2P	65	417	21.93	4.2	1.00	77	354	18.60	4.1	1.20	85	320	16.79	4.0	1.30	97	281	14.77	4.0	1.45	103	266	13.95	3.9	1.50	120	226	11.88	3.8	1.65	133			205	10.79	3.7	1.75	153			178	9.35	3.6	1.95	GR57 GRF57	4P	303	87	9.47	2.3	1.70	GR27 GRF27	4P	158	172	9.06	3.6	2.00	179	152	7.97	3.5	2.20	190	143	7.53	3.5	2.30	223	122	6.41	3.3	2.60	246	111	5.82	3.3	2.70	283	96			5.05	3.1	3.00	326	84			4.39	3.0	3.10	131	208	21.93	3.8	2.00	GR57 GRF57	2P	331	80	4.32	2.0	1.45	GR27 GRF27	2P	154	176	18.60	3.6	2.40	171	159	16.79	3.5	2.60	194	140	14.77	3.4	2.90	206	132	13.95			3.4	3.00	242	113	11.88			3.3	3.30	266	102	10.79	3.2	3.50	88	309	16.22	1.9	0.85	GR47 GRF47	4P	353	75	4.05	2.0	1.45	GRX87 GRXF87	4P	98	277	14.56	2.4			0.90	114	239	12.54	2.9	0.95	121	224	11.79	2.9	1.00	141	193	10.15	2.8	1.10	222	126	6.45	6.8	1.45	GRX77 GRXF77	4P	257	109	5.56	6.5	2.00	282	99	5.07	6.3	2.40	318	88			4.50	6.1	3.20	378	74	3.78	5.8	3.90	440	63	3.25	4.3	2.70	464	60	3.08	4.3	3.10	379	74	3.77	3.0	1.15	GRX67 GRXF67	4P	447	63	3.20	2.9	1.55	495	56	2.89	2.8	1.80	563	50	2.54	2.7	2.30																																																																																													
61	447	23.51	16	3.20			66	411	21.60	15	3.40			75	365	19.18	15	3.70	83	326	17.15	14	4.00	93	293	15.42	14	4.30	31	872	45.81	8.2	0.85	GR77 GRF77	4P	243	112	11.79			2.5	2.00	GR47 GRF47			2P	33			823			43.26	8.8	0.95	39	701	36.83	10	1.10	43	637	33.47	10	1.20	49	552	29.00	11	1.40	57	480	25.23	11	1.50	61	445	23.37	11	1.70	GR77 GRF77					4P	412	66	6.96			2.2			2.20	GR37 GRF37	4P	67	408	21.43	10	1.85	76	358	18.80	10	2.00	80	339	17.82	10	2.10	92	297	15.60	9.5	2.30	102	267	14.05	9.2	2.50	116	235	12.33	8.9	2.70	131	207	10.88	8.6	3.00	148	183	9.64	8.3	3.20	166	163	8.59	8.1	3.60	185	147	7.74	7.8	3.80	211	129	6.79	7.5			4.20	61	446					23.44	8.3	1.15	GR67 GRF67	4P			141	186	10.11	0.7	0.80	GR37 GRF37	2P	72	379	19.89	8.0	1.45	80	342	17.95	7.8	1.60	91	301	15.79	7.6	1.75	96	284	14.91	7.5	1.80	113	242	12.70	7.2	2.00	124	220	11.54	7.0	2.10	143	190	10.00			6.7	2.30	53	513	26.97	4.1	0.80			GR57 GRF57	4P	284	93	10.11	2.2	1.65	GR37 GRF37	2P	65	417	21.93	4.2	1.00	77	354	18.60	4.1	1.20	85	320	16.79	4.0	1.30	97	281	14.77	4.0	1.45	103	266			13.95	3.9	1.50	120	226			11.88	3.8	1.65	133			205	10.79	3.7	1.75	153			178	9.35	3.6	1.95	GR57 GRF57	4P	303	87	9.47	2.3	1.70	GR27 GRF27	4P	158	172	9.06	3.6	2.00	179	152	7.97	3.5	2.20	190	143	7.53	3.5			2.30	223	122	6.41	3.3			2.60	246	111	5.82	3.3	2.70	283	96			5.05	3.1	3.00	326	84			4.39	3.0	3.10	131	208	21.93	3.8	2.00	GR57 GRF57	2P	331	80	4.32	2.0	1.45	GR27 GRF27	2P	154			176	18.60	3.6	2.40	171			159	16.79	3.5	2.60	194	140	14.77	3.4	2.90	206	132	13.95			3.4	3.00	242	113	11.88			3.3	3.30	266	102			10.79	3.2	3.50	88	309	16.22	1.9	0.85	GR47 GRF47	4P	353	75	4.05	2.0	1.45	GRX87 GRXF87	4P	98	277	14.56	2.4			0.90	114	239	12.54	2.9	0.95	121	224	11.79	2.9	1.00	141			193	10.15	2.8	1.10	222	126	6.45	6.8	1.45	GRX77 GRXF77	4P	257	109	5.56	6.5	2.00	282	99	5.07	6.3	2.40	318	88			4.50	6.1	3.20	378	74	3.78	5.8	3.90	440	63	3.25	4.3	2.70	464	60	3.08	4.3	3.10	379	74	3.77	3.0	1.15	GRX67 GRXF67	4P	447	63	3.20	2.9	1.55	495	56	2.89	2.8	1.80	563	50	2.54	2.7	2.30																																																																				
66	411	21.60	15	3.40			75	365	19.18	15	3.70			83	326	17.15	14	4.00	93	293	15.42	14	4.30	31	872	45.81	8.2	0.85	GR77 GRF77	4P	243	112	11.79			2.5	2.00	GR47 GRF47			2P	33					823			43.26			8.8	0.95	39	701	36.83	10	1.10	43	637	33.47	10	1.20	49	552	29.00	11	1.40	57	480	25.23	11	1.50	61	445	23.37	11	1.70	GR77 GRF77							4P	412	66			6.96			2.2			2.20	GR37 GRF37	4P	67	408	21.43	10	1.85	76	358	18.80	10	2.00	80	339	17.82	10	2.10	92	297	15.60	9.5	2.30	102	267	14.05	9.2	2.50	116	235	12.33	8.9	2.70	131	207	10.88	8.6	3.00	148	183	9.64	8.3	3.20	166	163	8.59	8.1	3.60	185	147	7.74	7.8	3.80	211			129	6.79	7.5					4.20	61	446					23.44	8.3	1.15	GR67 GRF67	4P			141	186	10.11	0.7	0.80	GR37 GRF37	2P	72	379	19.89	8.0	1.45	80	342	17.95	7.8	1.60	91	301	15.79	7.6	1.75	96	284	14.91	7.5	1.80	113	242	12.70	7.2	2.00	124			220	11.54	7.0	2.10	143	190	10.00			6.7	2.30	53	513	26.97	4.1	0.80			GR57 GRF57	4P	284	93	10.11	2.2	1.65	GR37 GRF37	2P	65	417	21.93	4.2	1.00	77	354	18.60	4.1	1.20	85	320	16.79			4.0	1.30	97	281	14.77			4.0	1.45	103	266			13.95	3.9	1.50	120	226			11.88	3.8	1.65	133			205	10.79	3.7	1.75	153			178	9.35	3.6	1.95	GR57 GRF57	4P	303	87	9.47	2.3	1.70	GR27 GRF27	4P	158			172	9.06	3.6	2.00	179			152	7.97	3.5	2.20	190	143	7.53	3.5			2.30	223	122	6.41	3.3			2.60	246	111	5.82	3.3	2.70	283	96			5.05	3.1	3.00	326	84			4.39			3.0	3.10	131	208	21.93			3.8	2.00	GR57 GRF57	2P	331	80	4.32	2.0	1.45	GR27 GRF27	2P	154			176	18.60	3.6	2.40	171			159	16.79	3.5	2.60			194	140	14.77	3.4	2.90	206	132	13.95			3.4	3.00	242	113	11.88			3.3	3.30	266	102			10.79	3.2	3.50	88	309	16.22	1.9	0.85	GR47 GRF47	4P	353	75			4.05	2.0	1.45	GRX87 GRXF87	4P	98	277	14.56	2.4			0.90	114	239	12.54	2.9	0.95	121	224	11.79	2.9	1.00	141			193	10.15	2.8	1.10	222	126	6.45	6.8	1.45	GRX77 GRXF77	4P	257	109	5.56	6.5	2.00	282	99	5.07	6.3	2.40	318	88			4.50	6.1	3.20	378	74	3.78	5.8	3.90	440	63	3.25	4.3	2.70	464	60	3.08	4.3	3.10	379	74	3.77	3.0	1.15	GRX67 GRXF67	4P	447	63	3.20	2.9	1.55	495	56	2.89	2.8	1.80	563	50	2.54	2.7	2.30																																											
75	365	19.18	15	3.70			83	326	17.15	14	4.00			93	293	15.42	14	4.30	31	872	45.81	8.2	0.85	GR77 GRF77	4P	243	112	11.79			2.5	2.00	GR47 GRF47			2P	33					823					43.26			8.8			0.95	39	701	36.83	10	1.10	43	637	33.47	10	1.20	49	552	29.00	11	1.40	57	480	25.23	11	1.50	61	445	23.37	11	1.70	GR77 GRF77									4P	412			66			6.96			2.2			2.20	GR37 GRF37	4P	67	408	21.43	10	1.85	76	358	18.80	10	2.00	80	339	17.82	10	2.10	92	297	15.60	9.5	2.30	102	267	14.05	9.2	2.50	116	235	12.33	8.9	2.70	131	207	10.88	8.6	3.00	148	183	9.64	8.3	3.20	166	163	8.59	8.1	3.60	185	147	7.74			7.8	3.80	211					129	6.79	7.5					4.20	61	446					23.44	8.3	1.15	GR67 GRF67	4P			141	186	10.11	0.7	0.80	GR37 GRF37	2P	72	379	19.89	8.0	1.45	80	342	17.95	7.8	1.60	91	301	15.79	7.6	1.75	96	284	14.91	7.5			1.80	113	242	12.70	7.2	2.00	124			220	11.54	7.0	2.10	143	190	10.00			6.7	2.30	53	513	26.97	4.1	0.80			GR57 GRF57	4P	284	93	10.11	2.2	1.65	GR37 GRF37	2P	65	417	21.93	4.2			1.00	77	354	18.60	4.1			1.20	85	320	16.79			4.0	1.30	97	281	14.77			4.0	1.45	103	266			13.95	3.9	1.50	120	226			11.88	3.8	1.65	133			205	10.79	3.7	1.75	153			178			9.35	3.6	1.95	GR57 GRF57	4P			303	87	9.47	2.3	1.70	GR27 GRF27	4P	158			172	9.06	3.6	2.00	179			152	7.97	3.5	2.20	190	143	7.53	3.5			2.30	223	122	6.41	3.3			2.60			246	111	5.82	3.3	2.70			283	96			5.05	3.1	3.00	326	84			4.39			3.0	3.10	131	208	21.93			3.8	2.00	GR57 GRF57	2P			331	80	4.32	2.0	1.45	GR27 GRF27	2P	154			176	18.60	3.6	2.40	171			159	16.79	3.5	2.60			194	140	14.77	3.4	2.90	206	132	13.95			3.4	3.00	242	113	11.88	3.3	3.30			266	102	10.79	3.2			3.50	88	309	16.22	1.9	0.85	GR47 GRF47	4P	353	75	4.05	2.0			1.45	GRX87 GRXF87	4P	98	277	14.56	2.4	0.90	114			239	12.54	2.9	0.95	121	224	11.79	2.9	1.00	141	193	10.15			2.8	1.10	222	126	6.45	6.8	1.45	GRX77 GRXF77	4P	257	109	5.56	6.5	2.00	282	99	5.07	6.3	2.40	318	88	4.50	6.1			3.20	378	74	3.78	5.8	3.90	440	63	3.25	4.3	2.70	464	60	3.08	4.3	3.10	379	74	3.77	3.0	1.15	GRX67 GRXF67	4P	447	63	3.20	2.9	1.55	495	56	2.89	2.8	1.80	563	50	2.54	2.7	2.30																				
83	326	17.15	14	4.00			93	293	15.42	14	4.30			31	872	45.81	8.2	0.85	GR77 GRF77	4P	243	112	11.79			2.5	2.00	GR47 GRF47			2P	33					823					43.26					8.8			0.95			39	701	36.83	10	1.10	43	637	33.47	10	1.20	49	552	29.00	11	1.40	57	480	25.23	11	1.50	61	445	23.37	11	1.70	GR77 GRF77											4P			412			66			6.96			2.2			2.20	GR37 GRF37	4P	67	408	21.43	10	1.85	76	358	18.80	10	2.00	80	339	17.82	10	2.10	92	297	15.60	9.5	2.30	102	267	14.05	9.2	2.50	116	235	12.33	8.9	2.70	131	207	10.88	8.6	3.00	148	183	9.64	8.3	3.20	166	163	8.59	8.1	3.60			185	147	7.74					7.8	3.80	211					129	6.79	7.5					4.20	61	446					23.44	8.3	1.15	GR67 GRF67	4P			141	186	10.11	0.7	0.80	GR37 GRF37	2P	72	379	19.89	8.0	1.45	80	342	17.95	7.8	1.60	91	301			15.79	7.6	1.75	96	284	14.91	7.5			1.80	113	242	12.70	7.2	2.00	124			220	11.54	7.0	2.10	143	190	10.00			6.7	2.30	53	513	26.97	4.1	0.80			GR57 GRF57	4P	284	93			10.11	2.2	1.65	GR37 GRF37	2P			65	417	21.93	4.2			1.00	77	354	18.60	4.1			1.20	85	320	16.79			4.0	1.30	97	281	14.77			4.0	1.45	103	266			13.95	3.9	1.50	120	226			11.88			3.8	1.65	133					205	10.79	3.7	1.75	153			178			9.35	3.6	1.95	GR57 GRF57	4P			303	87	9.47	2.3	1.70	GR27 GRF27	4P	158			172	9.06	3.6	2.00	179			152			7.97	3.5	2.20	190	143			7.53	3.5			2.30	223	122	6.41	3.3			2.60			246	111	5.82	3.3	2.70			283	96					5.05	3.1	3.00	326	84			4.39			3.0	3.10	131	208	21.93			3.8	2.00	GR57 GRF57	2P			331	80	4.32	2.0	1.45	GR27 GRF27	2P	154			176	18.60	3.6	2.40	171	159	16.79			3.5	2.60	194	140			14.77	3.4	2.90	206	132	13.95			3.4	3.00	242	113	11.88	3.3	3.30			266	102	10.79	3.2	3.50	88			309	16.22	1.9	0.85	GR47 GRF47	4P	353	75	4.05	2.0	1.45	GRX87 GRXF87			4P	98	277	14.56	2.4	0.90	114			239	12.54	2.9	0.95	121	224	11.79	2.9	1.00	141	193	10.15	2.8	1.10			222	126	6.45	6.8	1.45	GRX77 GRXF77	4P	257	109	5.56	6.5	2.00	282	99	5.07	6.3	2.40	318	88	4.50	6.1			3.20	378	74	3.78	5.8	3.90	440	63	3.25	4.3	2.70	464	60	3.08	4.3	3.10	379	74	3.77	3.0	1.15	GRX67 GRXF67	4P	447	63	3.20	2.9	1.55	495	56	2.89	2.8	1.80	563	50
93	293	15.42	14	4.30			31	872	45.81	8.2	0.85			GR77 GRF77	4P	243	112	11.79			2.5	2.00	GR47 GRF47			2P	33					823					43.26					8.8		0.95	39		701			36.83	10	1.10	43	637	33.47	10	1.20	49	552	29.00	11	1.40	57	480	25.23	11	1.50	61	445	23.37	11	1.70	GR77 GRF77	4P	412	66	6.96															2.2			2.20			GR37 GRF37			4P			67			408	21.43	10	1.85	76	358	18.80	10	2.00	80	339	17.82	10	2.10	92	297	15.60	9.5	2.30	102	267	14.05	9.2	2.50	116	235	12.33	8.9	2.70	131	207	10.88	8.6	3.00	148	183	9.64	8.3	3.20	166	163	8.59	8.1	3.60	185			147	7.74	7.8					3.80	211	129					6.79	7.5	4.20					61	446	23.44					8.3	1.15	GR67 GRF67					4P	141	186	10.11	0.7			0.80	GR37 GRF37	2P	72	379	19.89	8.0	1.45	80	342	17.95	7.8			1.60	91	301	15.79	7.6	1.75	96			284	14.91	7.5	1.80	113	242	12.70			7.2	2.00	124	220	11.54	7.0	2.10			143	190	10.00	6.7	2.30	53	513			26.97	4.1	0.80	GR57 GRF57			4P	284	93					10.11	2.2	1.65	GR37 GRF37			2P	65	417	21.93	4.2			1.00	77	354	18.60			4.1	1.20	85	320	16.79			4.0	1.30	97	281			14.77	4.0	1.45	103	266			13.95	3.9	1.50	120	226	11.88			3.8	1.65	133	205	10.79	3.7	1.75			153			178	9.35	3.6					1.95	GR57 GRF57	4P	303	87			9.47			2.3	1.70	GR27 GRF27	4P	158			172			9.06	3.6	2.00	179	152			7.97	3.5			2.20	190	143	7.53	3.5			2.30			223	122	6.41	3.3	2.60			246	111			5.82	3.3	2.70	283	96	5.05	3.1			3.00			326	84	4.39	3.0	3.10			131	208					21.93	3.8	2.00	GR57 GRF57	2P			331			80	4.32	2.0	1.45	GR27 GRF27	2P	154			176	18.60	3.6	2.40			171	159	16.79	3.5	2.60	194			140	14.77	3.4	2.90	206	132	13.95			3.4	3.00	242	113	11.88	3.3			3.30	266	102	10.79			3.2	3.50	88	309	16.22		1.9	0.85		GR47 GRF47	4P	353	75	4.05	2.0			1.45	GRX87 GRXF87	4P	98	277	14.56	2.4	0.90	114	239	12.54	2.9	0.95	121			224	11.79	2.9	1.00	141			193	10.15	2.8	1.10	222	126	6.45	6.8	1.45	GRX77 GRXF77	4P	257	109	5.56			6.5	2.00	282	99	5.07	6.3	2.40	318	88	4.50	6.1	3.20	378	74	3.78	5.8	3.90	440	63	3.25	4.3			2.70	464	60	3.08	4.3	3.10	379	74	3.77	3.0	1.15	GRX67 GRXF67
31	872	45.81	8.2	0.85	GR77 GRF77	4P	243	112	11.79	2.5	2.00	GR47 GRF47	2P																																																																																																																																																																																																																																																																																																																																																																																																																																																																																																																																																							
33	823	43.26	8.8	0.95			39	701	36.83	10	1.10					43	637	33.47			10	1.20					49					552		29.00	11		1.40		57	480		25.23	11	1.50	61	445	23.37	11	1.70	GR77 GRF77	4P	412	66	6.96	2.2	2.20	GR37 GRF37	4P	67	408	21.43	10	1.85	76	358	18.80	10	2.00	80	339	17.82	10			2.10	92	297															15.60			9.5									2.30			102	267	14.05	9.2	2.50	116	235	12.33	8.9	2.70	131	207	10.88	8.6	3.00	148	183	9.64	8.3	3.20	166	163	8.59	8.1	3.60	185	147	7.74	7.8	3.80	211	129	6.79	7.5	4.20	61	446	23.44	8.3	1.15	GR67 GRF67	4P	141	186	10.11	0.7	0.80	GR37 GRF37	2P	72			379	19.89	8.0	1.45	80					342	17.95	7.8					1.60	91	301					15.79	7.6							1.75	96	284	14.91			7.5			1.80	113	242	12.70	7.2	2.00	124	220	11.54	7.0	2.10	143	190	10.00	6.7	2.30	53	513			26.97	4.1	0.80	GR57 GRF57	4P	284	93			10.11	2.2	1.65	GR37 GRF37	2P	65	417			21.93	4.2	1.00	77	354	18.60	4.1			1.20	85	320	16.79			4.0	1.30	97					281	14.77	4.0					1.45	103	266	13.95			3.9	1.50	120	226			11.88	3.8	1.65	133	205			10.79	3.7	1.75	153			178	9.35	3.6	1.95	GR57 GRF57			4P	303	87	9.47	2.3	1.70			GR27 GRF27	4P	158	172	9.06	3.6	2.00			179	152	7.97	3.5	2.20	190			143	7.53	3.5			2.30	223			122	6.41	3.3	2.60	246			111	5.82	3.3	2.70	283	96	5.05	3.1	3.00	326	84	4.39	3.0	3.10	131			208	21.93	3.8	2.00	GR57 GRF57			2P			331	80	4.32	2.0	1.45			GR27 GRF27	2P			154	176	18.60	3.6	2.40	171	159			16.79			3.5	2.60	194	140	14.77			3.4	2.90			206	132	13.95	3.4	3.00					242			113	11.88	3.3	3.30			266			102	10.79	3.2	3.50	88	309	16.22	1.9	0.85	GR47 GRF47	4P	353			75	4.05	2.0	1.45	GRX87 GRXF87	4P	98			277	14.56	2.4	0.90	114	239			12.54	2.9	0.95	121			224	11.79	2.9	1.00	141		193	10.15				2.8	1.10	222	126			6.45			6.8	1.45	GRX77 GRXF77	4P	257	109	5.56	6.5	2.00	282	99	5.07	6.3	2.40	318	88	4.50	6.1			3.20	378	74	3.78	5.8	3.90	440	63	3.25			4.3	2.70	464	60	3.08	4.3	3.10	379	74	3.77	3.0	1.15	GRX67 GRXF67	4P	447	63	3.20	2.9	1.55	495	56	2.89	2.8	1.80	563	50			2.54	2.7	2.30									
39	701	36.83	10	1.10			43	637	33.47	10	1.20					49	552	29.00			11	1.40					57		480	25.23		11		1.50	61		445	23.37	11	1.70	GR77 GRF77	4P	412	66	6.96	2.2	2.20	GR37 GRF37	4P			67	408	21.43	10	1.85			76	358	18.80	10	2.00	80	339	17.82	10	2.10	92	297	15.60	9.5			2.30	102	267															14.05			9.2									2.50			116	235	12.33	8.9	2.70	131	207	10.88	8.6	3.00	148	183	9.64	8.3	3.20	166	163	8.59	8.1	3.60	185	147	7.74	7.8	3.80	211	129	6.79	7.5	4.20	61	446	23.44	8.3	1.15	GR67 GRF67	4P	141	186	10.11			0.7	0.80	GR37 GRF37	2P	72			379	19.89	8.0	1.45	80	342	17.95	7.8			1.60	91	301	15.79	7.6					1.75	96	284					14.91	7.5							1.80	113	242	12.70			7.2			2.00	124	220	11.54	7.0	2.10	143	190	10.00	6.7	2.30	53	513	26.97	4.1	0.80	GR57 GRF57	4P	284	93	10.11	2.2	1.65	GR37 GRF37	2P	65	417			21.93	4.2	1.00			77	354			18.60	4.1	1.20	85	320	16.79	4.0			1.30	97	281	14.77			4.0	1.45	103					266	13.95	3.9					1.50	120	226	11.88			3.8	1.65	133	205			10.79	3.7	1.75	153	178			9.35	3.6	1.95	GR57 GRF57			4P	303	87	9.47					2.3	1.70	GR27 GRF27	4P	158					172	9.06	3.6	2.00	179			152	7.97	3.5	2.20	190	143			7.53	3.5	2.30			223	122			6.41	3.3	2.60	246	111			5.82	3.3	2.70	283	96	5.05	3.1	3.00	326	84	4.39	3.0	3.10	131	208	21.93	3.8	2.00	GR57 GRF57	2P	331		80	4.32		2.0	1.45	GR27 GRF27	2P	154	176	18.60	3.6	2.40					171	159	16.79	3.5	2.60	194	140			14.77			3.4	2.90	206	132	13.95			3.4	3.00			242	113	11.88	3.3	3.30					266			102	10.79	3.2	3.50			88			309	16.22	1.9	0.85	GR47 GRF47	4P	353	75	4.05			2.0			1.45	GRX87 GRXF87	4P	98			277			14.56	2.4	0.90	114	239	12.54	2.9	0.95	121	224	11.79	2.9			1.00	141	193	10.15	2.8		1.10	222				126	6.45	6.8	1.45			GRX77 GRXF77			4P	257			109	5.56	6.5	2.00	282	99	5.07	6.3	2.40	318	88	4.50	6.1	3.20			378	74	3.78	5.8	3.90	440	63	3.25	4.3			2.70	464	60	3.08	4.3	3.10	379	74	3.77	3.0	1.15	GRX67 GRXF67			4P	447	63	3.20	2.9	1.55	495	56	2.89	2.8	1.80	563	50	2.54	2.7	2.30										
43	637	33.47	10	1.20			49	552	29.00	11	1.40					57	480	25.23			11	1.50		61	445		23.37		11	1.70		GR77 GRF77	4P	412	66	6.96	2.2	2.20	GR37 GRF37	4P			67	408	21.43	10	1.85					76	358	18.80	10	2.00			80	339	17.82	10	2.10	92	297	15.60	9.5	2.30	102	267	14.05	9.2			2.50	116	235						12.33	8.9						2.70	131	207			10.88									8.6			3.00	148	183	9.64	8.3	3.20	166	163	8.59	8.1	3.60	185	147	7.74	7.8	3.80	211	129	6.79	7.5	4.20	61	446	23.44	8.3	1.15	GR67 GRF67	4P	141	186	10.11	0.7	0.80	GR37 GRF37	2P			72	379	19.89			8.0	1.45			80			342	17.95	7.8	1.60	91	301	15.79	7.6	1.75	96	284	14.91	7.5	1.80	113			242	12.70	7.2	2.00	124					220	11.54							7.0	2.10	143	190			10.00			6.7	2.30	53	513	26.97	4.1	0.80	GR57 GRF57	4P	284	93	10.11	2.2	1.65	GR37 GRF37	2P	65	417	21.93	4.2	1.00	77	354			18.60	4.1	1.20	85	320	16.79	4.0			1.30	97			281	14.77	4.0	1.45	103	266	13.95			3.9	1.50	120	226	11.88	3.8	1.65	133	205			10.79	3.7	1.75	153	178					9.35	3.6	1.95	GR57 GRF57			4P	303	87	9.47			2.3	1.70	GR27 GRF27	4P	158			172	9.06	3.6					2.00	179	152					7.97	3.5			2.20					190	143	7.53	3.5	2.30			223	122	6.41	3.3	2.60	246			111	5.82	3.3			2.70	283			96	5.05	3.1	3.00	326			84	4.39	3.0	3.10	131	208	21.93	3.8	2.00	GR57 GRF57	2P	331	80	4.32	2.0	1.45	GR27 GRF27	2P			154		176	18.60		3.6	2.40			171	159	16.79	3.5	2.60			194	140	14.77	3.4	2.90	206	132	13.95	3.4	3.00	242	113	11.88	3.3	3.30	266	102	10.79	3.2	3.50	88	309	16.22			1.9	0.85	GR47 GRF47	4P	353					75			4.05	2.0	1.45	GRX87 GRXF87			4P			98	277	14.56	2.4			0.90	114	239			12.54			2.9			0.95			121			224	11.79	2.9	1.00	141	193	10.15	2.8	1.10	222	126	6.45			6.8	1.45	GRX77 GRXF77	4P	257		109	5.56				6.5	2.00	282	99	5.07	6.3					2.40			318	88	4.50	6.1	3.20	378	74	3.78	5.8	3.90	440	63	3.25	4.3			2.70	464	60	3.08	4.3	3.10	379	74	3.77			3.0	1.15	GRX67 GRXF67	4P	447	63	3.20	2.9	1.55	495	56					2.89	2.8	1.80	563	50	2.54	2.7	2.30																	
49	552	29.00	11	1.40			57	480	25.23	11	1.50					61	445	23.37	11	1.70	GR77 GRF77	4P		412	66		6.96	2.2	2.20	GR37 GRF37	4P			67	408	21.43	10	1.85					76	358	18.80	10	2.00					80	339	17.82	10	2.10			92	297	15.60	9.5	2.30	102	267	14.05	9.2	2.50	116	235	12.33	8.9			2.70	131	207					10.88	8.6	3.00	148					183	9.64	8.3	3.20	166	163									8.59			8.1	3.60	185	147	7.74	7.8	3.80	211	129	6.79	7.5	4.20	61	446	23.44	8.3	1.15	GR67 GRF67	4P	141	186	10.11	0.7	0.80	GR37 GRF37	2P			72	379	19.89	8.0	1.45					80	342	17.95			7.8	1.60			91			301	15.79	7.6	1.75	96	284	14.91	7.5	1.80	113	242	12.70	7.2	2.00	124	220	11.54	7.0	2.10	143	190	10.00			6.7	2.30	53	513							26.97	4.1	0.80	GR57 GRF57			4P			284	93	10.11	2.2	1.65	GR37 GRF37	2P	65	417	21.93	4.2	1.00	77	354			18.60	4.1	1.20	85	320	16.79	4.0			1.30	97	281	14.77	4.0	1.45	103			266	13.95	3.9	1.50	120	226	11.88	3.8	1.65	133	205			10.79	3.7	1.75	153	178	9.35	3.6	1.95	GR57 GRF57			4P	303	87	9.47	2.3		1.70	GR27 GRF27		4P	158	172		9.06	3.6		2.00	179	152			7.97	3.5			2.20			190	143	7.53					3.5	2.30	223					122	6.41			3.3					2.60	246	111	5.82	3.3			2.70	283	96	5.05	3.1	3.00			326	84	4.39			3.0	3.10			131	208	21.93	3.8	2.00			GR57 GRF57	2P	331	80	4.32	2.0	1.45	GR27 GRF27	2P			154	176	18.60	3.6	2.40					171		159	16.79		3.5	2.60			194	140	14.77	3.4	2.90			206	132	13.95	3.4	3.00	242	113	11.88	3.3	3.30	266	102	10.79	3.2	3.50	88	309	16.22	1.9	0.85	GR47 GRF47	4P	353	75	4.05	2.0	1.45			GRX87 GRXF87			4P	98	277	14.56	2.4	0.90	114	239					12.54	2.9	0.95	121	224	11.79			2.9	1.00	141			193			10.15			2.8			1.10			222	126	6.45	6.8	1.45	GRX77 GRXF77	4P	257	109	5.56	6.5	2.00			282	99			5.07		6.3	2.40				318	88	4.50	6.1	3.20	378					74			3.78	5.8	3.90	440	63	3.25	4.3	2.70	464	60	3.08	4.3	3.10	379	74	3.77	3.0	1.15	GRX67 GRXF67	4P	447	63	3.20	2.9	1.55			495	56			2.89	2.8	1.80	563	50	2.54	2.7					2.30																								
57	480	25.23	11	1.50			61	445	23.37	11	1.70			GR77 GRF77	4P	412	66	6.96	2.2	2.20			GR37 GRF37	4P	67	408	21.43	10	1.85					76	358	18.80	10	2.00					80	339	17.82	10	2.10					92	297	15.60	9.5	2.30			102	267	14.05	9.2	2.50	116	235	12.33	8.9	2.70	131	207	10.88	8.6			3.00	148	183				9.64	8.3	3.20	166	163	8.59				8.1	3.60	185	147	7.74	7.8	3.80	211							129			6.79	7.5	4.20	61	446	23.44	8.3	1.15	GR67 GRF67	4P	141	186	10.11	0.7	0.80	GR37 GRF37	2P			72	379	19.89	8.0	1.45					80	342	17.95	7.8	1.60					91	301	15.79			7.6	1.75			96			284	14.91	7.5	1.80	113	242	12.70	7.2	2.00	124	220	11.54	7.0	2.10	143	190	10.00	6.7	2.30	53	513	26.97	4.1	0.80	GR57 GRF57	4P	284	93				10.11	2.2		1.65	GR37 GRF37	2P	65			417			21.93	4.2	1.00	77	354			18.60	4.1	1.20	85	320	16.79	4.0			1.30	97	281	14.77	4.0	1.45	103			266	13.95	3.9	1.50	120	226	11.88			3.8	1.65	133	205	10.79	3.7	1.75	153	178	9.35	3.6	1.95	GR57 GRF57	4P	303	87	9.47	2.3	1.70	GR27 GRF27	4P					158	172	9.06	3.6		2.00				179	152		7.97	3.5		2.20	190	143	7.53	3.5	2.30	223			122	6.41	3.3	2.60	246	111					5.82	3.3	2.70					283	96			5.05					3.1	3.00	326	84	4.39			3.0	3.10	131	208	21.93	3.8			2.00	GR57 GRF57	2P			331	80			4.32	2.0	1.45	GR27 GRF27	2P					154	176	18.60	3.6	2.40					171	159	16.79	3.5	2.60					194		140	14.77		3.4	2.90			206	132	13.95	3.4	3.00			242	113	11.88	3.3	3.30	266	102	10.79	3.2	3.50	88	309	16.22	1.9	0.85	GR47 GRF47	4P	353	75	4.05			2.0	1.45	GRX87 GRXF87	4P	98				277	14.56		2.4	0.90	114	239	12.54	2.9	0.95		121	224		11.79	2.9	1.00	141	193	10.15			2.8	1.10	222			126	6.45	6.8	1.45			GRX77 GRXF77			4P	257	109	5.56	6.5	2.00	282	99			5.07	6.3	2.40	318	88			4.50	6.1			3.20		378	74				3.78	5.8	3.90	440	63	3.25					4.3			2.70	464	60	3.08	4.3	3.10	379	74	3.77	3.0	1.15	GRX67 GRXF67	4P	447	63	3.20	2.9	1.55			495	56	2.89	2.8	1.80	563	50	2.54	2.7			2.30																																			
61	445	23.37	11	1.70	GR77 GRF77	4P	412	66	6.96	2.2	2.20	GR37 GRF37	4P																																																																																																																																																																																																																																																																																																																																																																																																																																																																																																																																																							
67	408	21.43	10	1.85			76	358	18.80	10	2.00					80	339	17.82	10	2.10					92	297	15.60	9.5	2.30					102	267	14.05	9.2	2.50					116	235	12.33	8.9	2.70					131	207	10.88	8.6	3.00			148	183	9.64	8.3	3.20	166	163	8.59	8.1	3.60	185	147	7.74	7.8			3.80	211	129		6.79	7.5	4.20	61	446	23.44	8.3	1.15	GR67 GRF67	4P		141	186	10.11	0.7	0.80	GR37 GRF37	2P	72		379	19.89		8.0	1.45	80			342	17.95	7.8	1.60	91	301	15.79	7.6			1.75	96	284	14.91	7.5					1.80	113	242	12.70	7.2					2.00	124	220	11.54	7.0					2.10	143	190			10.00	6.7			2.30			53	513	26.97	4.1	0.80	GR57 GRF57	4P	284	93	10.11	2.2	1.65	GR37 GRF37	2P	65	417	21.93	4.2	1.00	77	354	18.60	4.1	1.20	85	320	16.79	4.0	1.30	97	281	14.77	4.0	1.45	103			266	13.95	3.9	1.50	120	226	11.88	3.8	1.65	133	205			10.79	3.7	1.75	153	178	9.35	3.6			1.95	GR57 GRF57	4P	303	87	9.47	2.3			1.70	GR27 GRF27	4P	158	172	9.06	3.6			2.00	179	152	7.97	3.5	2.20	190	143	7.53	3.5	2.30	223			122	6.41	3.3	2.60	246				111	5.82		3.3	2.70	283	96	5.05	3.1		3.00		326	84		4.39	3.0		3.10	131	208	21.93	3.8	2.00	GR57 GRF57			2P	331	80	4.32	2.0	1.45		GR27 GRF27	2P		154	176	18.60		3.6	2.40		171	159			16.79	3.5	2.60			194	140	14.77	3.4	2.90	206	132	13.95	3.4	3.00	242	113	11.88			3.3					3.30	266			102	10.79	3.2							3.50	88	309	16.22	1.9					0.85	GR47 GRF47	4P	353	75					4.05	2.0	1.45	GRX87 GRXF87	4P	98	277			14.56	2.4	0.90	114	239	12.54	2.9	0.95	121	224	11.79	2.9	1.00	141	193	10.15	2.8	1.10	222	126	6.45	6.8			1.45	GRX77 GRXF77	4P			257	109			5.56				6.5	2.00		282	99	5.07	6.3	2.40	318	88		4.50	6.1		3.20	378	74	3.78	5.8	3.90			440	63	3.25			4.3	2.70	464	60							3.08	4.3	3.10	379	74	3.77	3.0			1.15	GRX67 GRXF67	4P	447	63	3.20	2.9	1.55	495			56	2.89	2.8	1.80	563	50	2.54	2.7	2.30																																																																														
76	358	18.80	10	2.00			80	339	17.82	10	2.10					92	297	15.60	9.5	2.30					102	267	14.05	9.2	2.50					116	235	12.33	8.9	2.70					131	207	10.88	8.6	3.00					148	183	9.64	8.3	3.20			166	163	8.59	8.1	3.60	185	147	7.74	7.8	3.80	211	129	6.79	7.5			4.20	61	446	23.44	8.3	1.15	GR67 GRF67	4P	141	186	10.11	0.7			0.80	GR37 GRF37	2P	72	379	19.89			8.0		1.45	80		342	17.95	7.8	1.60	91	301	15.79	7.6	1.75	96	284	14.91	7.5			1.80	113	242	12.70	7.2					2.00	124	220	11.54	7.0					2.10	143	190	10.00	6.7					2.30	53	513			26.97	4.1			0.80			GR57 GRF57	4P	284	93	10.11	2.2	1.65	GR37 GRF37	2P	65	417	21.93			4.2	1.00	77	354	18.60	4.1	1.20	85	320	16.79	4.0	1.30	97	281	14.77	4.0	1.45	103	266	13.95	3.9			1.50	120	226	11.88	3.8	1.65	133	205	10.79	3.7	1.75			153	178	9.35	3.6	1.95	GR57 GRF57	4P			303			87	9.47	2.3	1.70			GR27 GRF27			4P	158	172	9.06			3.6	2.00	179	152	7.97	3.5	2.20	190	143	7.53	3.5	2.30			223	122	6.41	3.3	2.60				246	111		5.82	3.3	2.70	283	96	5.05		3.1		3.00	326		84	4.39		3.0	3.10	131	208	21.93	3.8					2.00	GR57 GRF57	2P	331	80					4.32	2.0	1.45		GR27 GRF27	2P		154	176			18.60	3.6	2.40			171	159	16.79	3.5	2.60	194	140	14.77	3.4	2.90	206	132	13.95	3.4	3.00	242					113	11.88	3.3	3.30	266	102	10.79							3.2	3.50	88	309	16.22					1.9			0.85	GR47 GRF47			4P	353	75	4.05	2.0			1.45	GRX87 GRXF87	4P	98	277	14.56	2.4	0.90	114	239	12.54	2.9	0.95	121	224	11.79	2.9	1.00	141	193	10.15	2.8	1.10	222	126	6.45			6.8					1.45	GRX77 GRXF77			4P				257	109		5.56	6.5	2.00	282	99	5.07	6.3		2.40	318		88	4.50	6.1	3.20	378	74			3.78	5.8	3.90			440	63	3.25	4.3							2.70	464	60	3.08	4.3	3.10	379			74			3.77	3.0	1.15	GRX67 GRXF67	4P	447			63	3.20	2.9	1.55	495	56	2.89	2.8	1.80	563	50	2.54	2.7	2.30																																																																									
80	339	17.82	10	2.10			92	297	15.60	9.5	2.30					102	267	14.05	9.2	2.50					116	235	12.33	8.9	2.70					131	207	10.88	8.6	3.00					148	183	9.64	8.3	3.20					166	163	8.59	8.1	3.60			185	147	7.74	7.8	3.80	211	129	6.79	7.5	4.20	61	446	23.44	8.3	1.15	GR67 GRF67	4P	141	186	10.11	0.7	0.80			GR37 GRF37	2P	72	379			19.89			8.0	1.45	80			342	17.95	7.8	1.60	91	301	15.79	7.6	1.75	96	284	14.91	7.5	1.80	113	242	12.70	7.2			2.00	124	220	11.54	7.0					2.10	143	190	10.00	6.7					2.30	53	513	26.97	4.1					0.80	GR57 GRF57	4P	284	93	10.11	2.2			1.65	GR37 GRF37	2P	65	417	21.93	4.2	1.00	77	354			18.60	4.1	1.20			85	320	16.79	4.0	1.30	97	281	14.77	4.0	1.45	103	266	13.95	3.9	1.50	120	226	11.88	3.8	1.65	133			205	10.79	3.7	1.75	153	178	9.35	3.6	1.95	GR57 GRF57	4P			303	87	9.47	2.3	1.70					GR27 GRF27			4P	158	172	9.06							3.6	2.00	179	152	7.97	3.5	2.20	190	143	7.53	3.5	2.30	223	122	6.41	3.3	2.60			246	111	5.82	3.3	2.70				283	96		5.05	3.1	3.00	326	84	4.39		3.0		3.10	131		208	21.93		3.8	2.00	GR57 GRF57	2P	331	80					4.32			2.0	1.45					GR27 GRF27	2P	154					176	18.60			3.6	2.40	171			159	16.79	3.5	2.60	194	140	14.77	3.4	2.90	206	132	13.95	3.4	3.00	242	113			11.88	3.3	3.30	266	102	10.79	3.2	3.50	88			309	16.22			1.9	0.85	GR47 GRF47	4P	353			75	4.05	2.0			1.45		GRX87 GRXF87	4P		98	277	14.56	2.4			0.90			114	239	12.54	2.9	0.95	121	224	11.79	2.9	1.00	141	193	10.15	2.8	1.10	222	126	6.45	6.8	1.45	GRX77 GRXF77	4P	257			109					5.56								6.5	2.00		282	99	5.07	6.3	2.40	318	88		4.50	6.1		3.20	378	74	3.78	5.8	3.90			440	63	3.25	4.3	2.70	464	60	3.08	4.3				3.10	379		74	3.77	3.0	1.15	GRX67 GRXF67	4P	447			63			3.20	2.9	1.55			495	56	2.89	2.8	1.80	563	50	2.54	2.7	2.30																																																																																
92	297	15.60	9.5	2.30			102	267	14.05	9.2	2.50					116	235	12.33	8.9	2.70					131	207	10.88	8.6	3.00					148	183	9.64	8.3	3.20					166	163	8.59	8.1	3.60					185	147	7.74	7.8	3.80			211	129	6.79	7.5	4.20	61	446	23.44	8.3	1.15	GR67 GRF67	4P	141	186	10.11			0.7	0.80	GR37 GRF37	2P	72					379	19.89			8.0			1.45	80	342			17.95	7.8	1.60	91	301	15.79	7.6	1.75	96	284	14.91	7.5	1.80	113	242	12.70	7.2	2.00			124	220	11.54	7.0	2.10					143	190	10.00	6.7	2.30					53	513	26.97	4.1	0.80			GR57 GRF57	4P	284	93	10.11	2.2	1.65	GR37 GRF37	2P	65	417	21.93			4.2	1.00	77	354	18.60	4.1	1.20			85	320	16.79			4.0	1.30	97	281	14.77	4.0	1.45	103	266	13.95	3.9	1.50	120	226	11.88	3.8	1.65	133	205	10.79	3.7			1.75	153	178	9.35	3.6	1.95	GR57 GRF57	4P	303					87	9.47	2.3	1.70	GR27 GRF27									4P	158	172	9.06	3.6					2.00	179	152	7.97	3.5	2.20	190	143	7.53	3.5	2.30	223	122	6.41	3.3	2.60	246			111	5.82	3.3	2.70	283				96	5.05		3.1	3.00	326	84	4.39	3.0		3.10		131	208		21.93	3.8		2.00	GR57 GRF57			2P	331					80			4.32	2.0							1.45					GR27 GRF27	2P			154	176	18.60			3.6	2.40	171	159	16.79	3.5	2.60	194	140	14.77	3.4	2.90	206	132	13.95	3.4			3.00	242	113	11.88	3.3	3.30	266	102	10.79			3.2	3.50	88	309	16.22	1.9			0.85	GR47 GRF47	4P	353	75	4.05			2.0					1.45	GRX87 GRXF87	4P	98			277			14.56	2.4	0.90	114	239	12.54	2.9	0.95	121	224	11.79	2.9	1.00	141	193	10.15	2.8	1.10	222	126			6.45			6.8					1.45								GRX77 GRXF77	4P		257	109	5.56	6.5	2.00	282	99		5.07	6.3		2.40	318	88	4.50	6.1	3.20	378	74	3.78	5.8	3.90	440	63	3.25	4.3	2.70	464	60	3.08		4.3	3.10		379	74	3.77	3.0			1.15	GRX67 GRXF67	4P	447			63	3.20	2.9			1.55	495	56	2.89	2.8	1.80	563	50	2.54	2.7	2.30																																																																															
102	267	14.05	9.2	2.50			116	235	12.33	8.9	2.70					131	207	10.88	8.6	3.00					148	183	9.64	8.3	3.20					166	163	8.59	8.1	3.60					185	147	7.74	7.8	3.80			211	129	6.79	7.5	4.20	61	446	23.44	8.3	1.15	GR67 GRF67	4P	141	186	10.11	0.7	0.80	GR37 GRF37	2P			72	379	19.89			8.0	1.45			80					342	17.95			7.8			1.60	91	301			15.79	7.6	1.75	96	284	14.91	7.5	1.80	113	242	12.70	7.2	2.00	124	220	11.54	7.0	2.10			143	190	10.00	6.7	2.30					53	513	26.97	4.1	0.80			GR57 GRF57	4P	284	93	10.11	2.2	1.65	GR37 GRF37	2P	65	417	21.93	4.2	1.00	77	354			18.60	4.1	1.20			85	320	16.79	4.0	1.30	97	281			14.77	4.0	1.45			103	266	13.95	3.9	1.50	120	226	11.88	3.8	1.65	133	205	10.79	3.7	1.75	153	178	9.35	3.6	1.95	GR57 GRF57			4P	303	87	9.47	2.3	1.70			GR27 GRF27					4P	158	172	9.06				3.6	2.00						179	152	7.97	3.5					2.20	190	143	7.53	3.5	2.30	223	122	6.41	3.3	2.60	246	111	5.82	3.3	2.70	283			96	5.05	3.1	3.00	326				84	4.39		3.0	3.10	131	208	21.93	3.8		2.00		GR57 GRF57	2P		331	80		4.32					2.0					1.45			GR27 GRF27	2P							154	176			18.60					3.6	2.40	171	159	16.79	3.5	2.60	194	140	14.77	3.4	2.90	206	132	13.95	3.4	3.00	242	113	11.88	3.3	3.30	266	102	10.79	3.2	3.50	88	309	16.22	1.9	0.85	GR47 GRF47	4P	353	75	4.05	2.0	1.45	GRX87 GRXF87			4P			98	277	14.56			2.4					0.90			114			239			12.54	2.9	0.95	121	224	11.79	2.9	1.00	141	193	10.15	2.8	1.10	222	126	6.45	6.8	1.45	GRX77 GRXF77	4P			257			109					5.56					6.5	2.00					282	99	5.07	6.3	2.40	318	88	4.50	6.1	3.20	378	74	3.78	5.8	3.90	440	63	3.25	4.3	2.70	464	60	3.08	4.3	3.10	379	74	3.77	3.0	1.15	GRX67 GRXF67	4P	447	63	3.20	2.9	1.55	495			56			2.89	2.8	1.80	563	50	2.54			2.7	2.30																																																																																								
116	235	12.33	8.9	2.70			131	207	10.88	8.6	3.00					148	183	9.64	8.3	3.20					166	163	8.59	8.1	3.60					185	147	7.74	7.8	3.80			211	129	6.79	7.5	4.20	61	446	23.44	8.3	1.15	GR67 GRF67	4P	141	186	10.11	0.7	0.80	GR37 GRF37	2P			72	379	19.89	8.0	1.45					80	342	17.95			7.8	1.60			91					301	15.79			7.6			1.75	96	284			14.91	7.5	1.80	113	242	12.70	7.2	2.00	124	220	11.54	7.0	2.10	143	190	10.00	6.7	2.30			53	513	26.97	4.1	0.80			GR57 GRF57	4P	284	93	10.11	2.2	1.65	GR37 GRF37	2P	65	417	21.93	4.2	1.00	77	354			18.60	4.1	1.20	85	320	16.79	4.0			1.30	97	281			14.77	4.0	1.45	103	266	13.95	3.9			1.50	120	226			11.88	3.8	1.65	133	205	10.79	3.7	1.75	153	178	9.35	3.6	1.95	GR57 GRF57	4P	303	87	9.47	2.3	1.70					GR27 GRF27	4P	158	172	9.06						3.6	2.00		179	152	7.97				3.5	2.20						190	143	7.53	3.5					2.30	223	122	6.41	3.3	2.60	246	111	5.82	3.3	2.70	283	96	5.05	3.1	3.00	326			84	4.39	3.0	3.10	131				208	21.93		3.8	2.00	GR57 GRF57	2P	331	80		4.32					2.0	1.45		GR27 GRF27					2P					154					176			18.60			3.6	2.40			171			159	16.79	3.5	2.60	194	140	14.77	3.4	2.90	206	132	13.95	3.4	3.00	242	113	11.88	3.3	3.30	266	102	10.79	3.2	3.50	88	309	16.22	1.9	0.85	GR47 GRF47	4P	353	75	4.05			2.0	1.45	GRX87 GRXF87	4P	98							277	14.56	2.4			0.90					114			239			12.54			2.9	0.95	121	224	11.79	2.9	1.00	141	193	10.15	2.8	1.10	222	126	6.45	6.8	1.45	GRX77 GRXF77					4P			257			109	5.56	6.5					2.00	282	99			5.07	6.3	2.40	318	88	4.50	6.1	3.20	378	74	3.78	5.8	3.90	440	63	3.25	4.3	2.70	464	60	3.08	4.3	3.10	379	74	3.77	3.0	1.15	GRX67 GRXF67	4P	447			63	3.20	2.9	1.55	495	56			2.89			2.8	1.80	563	50	2.54	2.7	2.30																																																																																											
131	207	10.88	8.6	3.00			148	183	9.64	8.3	3.20					166	163	8.59	8.1	3.60					185	147	7.74	7.8	3.80			211	129	6.79	7.5	4.20	61	446	23.44	8.3	1.15	GR67 GRF67	4P	141	186	10.11	0.7	0.80	GR37 GRF37	2P			72	379	19.89	8.0	1.45					80	342	17.95	7.8	1.60					91	301	15.79			7.6	1.75			96					284	14.91			7.5			1.80	113	242			12.70	7.2	2.00	124	220	11.54	7.0	2.10	143	190	10.00	6.7	2.30	53	513	26.97	4.1	0.80	GR57 GRF57	4P	284	93	10.11	2.2	1.65	GR37 GRF37	2P	65	417	21.93	4.2	1.00	77	354			18.60	4.1	1.20	85	320	16.79	4.0			1.30	97	281	14.77	4.0	1.45	103			266	13.95	3.9			1.50	120	226	11.88	3.8	1.65	133			205	10.79	3.7			1.75	153	178	9.35	3.6	1.95	GR57 GRF57	4P	303	87	9.47	2.3	1.70			GR27 GRF27	4P	158	172	9.06		3.6	2.00				179	152	7.97						3.5	2.20		190	143	7.53				3.5	2.30						223	122	6.41	3.3					2.60	246	111	5.82	3.3	2.70	283	96	5.05	3.1	3.00	326	84	4.39	3.0	3.10	131			208	21.93	3.8	2.00	GR57 GRF57				2P	331		80	4.32			2.0	1.45		GR27 GRF27				2P	154	176	18.60							3.6	2.40	171	159	16.79					3.5	2.60	194	140			14.77	3.4			2.90			206	132	13.95	3.4	3.00	242	113	11.88	3.3	3.30	266	102	10.79	3.2	3.50	88	309	16.22	1.9	0.85	GR47 GRF47	4P	353	75	4.05	2.0	1.45	GRX87 GRXF87	4P			98	277	14.56			2.4	0.90			114							239	12.54	2.9			0.95					121			224			11.79			2.9	1.00	141	193	10.15	2.8	1.10	222	126	6.45	6.8	1.45	GRX77 GRXF77	4P	257	109	5.56							6.5	2.00	282	99	5.07	6.3	2.40	318		88	4.50		6.1	3.20	378			74	3.78	5.8	3.90	440	63	3.25	4.3	2.70	464	60	3.08	4.3	3.10	379	74	3.77	3.0	1.15	GRX67 GRXF67	4P	447	63	3.20	2.9	1.55	495	56			2.89			2.8	1.80	563	50	2.54	2.7	2.30																																																																																																						
148	183	9.64	8.3	3.20			166	163	8.59	8.1	3.60					185	147	7.74	7.8	3.80	211	129			6.79	7.5	4.20	61	446	23.44	8.3	1.15	GR67 GRF67	4P	141	186	10.11	0.7	0.80	GR37 GRF37	2P			72	379	19.89	8.0	1.45					80	342	17.95	7.8	1.60					91	301	15.79	7.6	1.75					96	284	14.91			7.5	1.80			113					242	12.70			7.2			2.00	124	220			11.54	7.0	2.10	143	190	10.00	6.7	2.30	53	513	26.97	4.1	0.80	GR57 GRF57	4P	284	93	10.11	2.2	1.65	GR37 GRF37	2P	65	417	21.93			4.2	1.00	77	354	18.60	4.1	1.20			85	320	16.79	4.0	1.30	97	281			14.77	4.0	1.45	103	266	13.95	3.9			1.50	120	226			11.88	3.8	1.65	133	205	10.79	3.7			1.75	153	178			9.35	3.6	1.95	GR57 GRF57	4P	303			87	9.47	2.3	1.70	GR27 GRF27					4P	158	172		9.06	3.6				2.00	179	152						7.97	3.5		2.20	190	143				7.53	3.5						2.30	223	122	6.41					3.3	2.60	246	111	5.82	3.3	2.70	283	96	5.05	3.1	3.00	326	84	4.39	3.0	3.10			131	208	21.93	3.8				2.00		GR57 GRF57	2P	331	80			4.32	2.0	1.45		GR27 GRF27				2P	154	176							18.60	3.6	2.40	171	159	16.79	3.5			2.60	194	140	14.77			3.4	2.90	206	132	13.95			3.4	3.00	242	113	11.88	3.3	3.30	266	102	10.79	3.2	3.50	88	309	16.22	1.9	0.85	GR47 GRF47	4P	353			75	4.05	2.0	1.45	GRX87 GRXF87					4P	98	277			14.56	2.4			0.90							114	239	12.54			2.9					0.95			121			224			11.79	2.9	1.00	141	193	10.15	2.8	1.10	222	126	6.45	6.8			1.45	GRX77 GRXF77	4P							257	109	5.56	6.5	2.00	282	99	5.07	6.3	2.40	318	88	4.50	6.1	3.20			378	74	3.78	5.8	3.90	440	63	3.25	4.3	2.70	464	60	3.08	4.3	3.10	379	74	3.77	3.0			1.15	GRX67 GRXF67	4P	447	63	3.20	2.9			1.55			495	56	2.89	2.8	1.80	563	50	2.54	2.7	2.30																																																																																																			
166	163	8.59	8.1	3.60			185	147	7.74	7.8	3.80			211	129	6.79	7.5	4.20	61	446	23.44	8.3	1.15	GR67 GRF67	4P	141	186	10.11	0.7	0.80	GR37 GRF37	2P			72	379	19.89	8.0	1.45					80	342	17.95	7.8	1.60					91	301	15.79	7.6	1.75					96	284	14.91	7.5	1.80					113	242	12.70			7.2	2.00			124					220	11.54	7.0	2.10	143			190	10.00	6.7	2.30	53	513	26.97	4.1	0.80	GR57 GRF57	4P	284	93	10.11	2.2	1.65	GR37 GRF37	2P	65	417	21.93	4.2	1.00	77	354			18.60	4.1	1.20			85	320	16.79	4.0	1.30	97	281			14.77	4.0	1.45	103	266	13.95	3.9			1.50	120	226	11.88	3.8	1.65	133			205	10.79	3.7			1.75	153	178	9.35	3.6	1.95	GR57 GRF57			4P	303	87	9.47	2.3	1.70	GR27 GRF27	4P			158			172	9.06	3.6	2.00							179	152		7.97	3.5				2.20	190	143						7.53	3.5		2.30	223	122				6.41	3.3						2.60	246	111	5.82					3.3	2.70	283	96	5.05	3.1	3.00	326	84	4.39	3.0	3.10	131	208	21.93	3.8	2.00	GR57 GRF57	2P	331	80	4.32	2.0		1.45	GR27 GRF27	2P				154	176			18.60	3.6	2.40							171	159			16.79	3.5			2.60	194	140	14.77	3.4	2.90	206			132	13.95	3.4	3.00	242	113	11.88	3.3	3.30	266	102			10.79	3.2	3.50	88	309	16.22	1.9	0.85	GR47 GRF47	4P	353	75	4.05	2.0	1.45	GRX87 GRXF87	4P			98			277	14.56	2.4	0.90							114	239			12.54	2.9			0.95							121	224	11.79	2.9	1.00	141					193			10.15	2.8	1.10	222			126	6.45	6.8	1.45	GRX77 GRXF77	4P	257	109	5.56	6.5	2.00	282			99						5.07	6.3		2.40	318	88	4.50	6.1	3.20	378	74	3.78	5.8	3.90	440	63	3.25	4.3			2.70	464	60	3.08	4.3	3.10	379	74	3.77	3.0	1.15	GRX67 GRXF67	4P	447	63	3.20	2.9	1.55	495			56			2.89	2.8	1.80	563			50	2.54	2.7	2.30																																																																																																												
185	147	7.74	7.8	3.80	211	129	6.79	7.5	4.20	61	446	23.44	8.3	1.15	GR67 GRF67	4P	141	186	10.11	0.7	0.80	GR37 GRF37	2P			72	379	19.89	8.0	1.45					80	342	17.95	7.8	1.60					91	301	15.79	7.6	1.75					96	284	14.91	7.5	1.80					113	242	12.70	7.2	2.00					124	220	11.54			7.0	2.10			143	190	10.00			6.7	2.30	53	513	26.97	4.1	0.80	GR57 GRF57	4P	284	93	10.11	2.2	1.65	GR37 GRF37	2P	65	417	21.93	4.2	1.00	77	354			18.60	4.1	1.20	85	320	16.79	4.0			1.30	97	281			14.77	4.0	1.45	103	266	13.95	3.9			1.50	120	226	11.88	3.8	1.65	133			205	10.79	3.7	1.75	153	178	9.35			3.6	1.95	GR57 GRF57			4P	303	87	9.47	2.3	1.70		GR27 GRF27	4P		158	172	9.06	3.6	2.00					179			152	7.97	3.5	2.20							190	143		7.53	3.5				2.30	223	122						6.41	3.3		2.60	246	111				5.82	3.3						2.70	283	96	5.05					3.1	3.00	326	84	4.39	3.0	3.10	131	208	21.93	3.8	2.00	GR57 GRF57	2P	331	80	4.32			2.0	1.45	GR27 GRF27	2P		154						176	18.60			3.6	2.40	171							159	16.79		3.5	2.60	194	140		14.77	3.4	2.90	206	132	13.95	3.4			3.00	242	113	11.88	3.3	3.30	266	102	10.79	3.2	3.50	88	309	16.22	1.9	0.85	GR47 GRF47	4P	353	75	4.05			2.0	1.45	GRX87 GRXF87	4P	98					277			14.56	2.4	0.90	114							239	12.54			2.9	0.95			121							224	11.79	2.9	1.00	141	193	10.15			2.8	1.10			222	126	6.45	6.8	1.45	GRX77 GRXF77	4P	257	109	5.56			6.5	2.00	282	99	5.07	6.3			2.40						318	88		4.50	6.1	3.20	378	74	3.78	5.8	3.90	440	63	3.25	4.3	2.70	464	60	3.08	4.3	3.10	379	74	3.77	3.0	1.15	GRX67 GRXF67	4P	447	63	3.20			2.9	1.55	495	56	2.89	2.8			1.80			563	50	2.54	2.7	2.30																																																																																																																	
211	129	6.79	7.5	4.20	61	446	23.44	8.3	1.15	GR67 GRF67	4P	141	186	10.11			0.7	0.80	GR37 GRF37	2P	72					379	19.89	8.0	1.45	80					342	17.95	7.8	1.60	91					301	15.79	7.6	1.75	96					284	14.91	7.5	1.80	113					242	12.70	7.2	2.00	124					220	11.54	7.0	2.10	143	190	10.00			6.7	2.30	53	513	26.97	4.1	0.80	GR57 GRF57	4P	284	93	10.11	2.2	1.65	GR37 GRF37	2P	65	417	21.93			4.2	1.00	77	354	18.60	4.1	1.20			85	320	16.79	4.0	1.30	97	281			14.77	4.0	1.45			103	266	13.95	3.9	1.50	120	226			11.88	3.8	1.65	133	205	10.79	3.7			1.75	153	178	9.35	3.6	1.95	GR57 GRF57			4P	303		87	9.47		2.3	1.70	GR27 GRF27	4P	158					172	9.06	3.6	2.00	179					152			7.97	3.5	2.20	190							143	7.53		3.5	2.30				223	122	6.41						3.3	2.60		246	111	5.82				3.3	2.70		283	96			5.05	3.1	3.00	326		84	4.39		3.0	3.10	131	208	21.93	3.8	2.00	GR57 GRF57	2P	331	80	4.32			2.0	1.45	GR27 GRF27			2P	154				176						18.60	3.6			2.40	171	159			16.79	3.5			2.60	194		140	14.77	3.4	2.90		206	132	13.95	3.4	3.00	242	113	11.88	3.3	3.30	266	102	10.79	3.2	3.50	88	309	16.22	1.9	0.85	GR47 GRF47	4P	353	75	4.05			2.0	1.45	GRX87 GRXF87			4P	98			277					14.56			2.4	0.90	114	239							12.54	2.9			0.95	121			224		11.79	2.9				1.00	141	193	10.15	2.8	1.10	222	126	6.45	6.8	1.45			GRX77 GRXF77	4P	257	109	5.56			6.5	2.00	282			99	5.07	6.3	2.40	318	88			4.50				6.1	3.20	378	74		3.78	5.8	3.90	440	63	3.25	4.3	2.70	464	60	3.08	4.3	3.10	379	74	3.77	3.0	1.15	GRX67 GRXF67	4P	447	63	3.20			2.9	1.55	495			56	2.89	2.8	1.80	563	50	2.54	2.7	2.30																																																																																																																								
61	446	23.44	8.3	1.15	GR67 GRF67	4P	141	186	10.11			0.7	0.80	GR37 GRF37			2P																																																																																																																																																																																																																																																																																																																																																																																																																																																																																																																																																			
72	379	19.89	8.0	1.45			80	342	17.95			7.8	1.60					91			301					15.79	7.6	1.75	96	284					14.91	7.5	1.80	113	242					12.70	7.2	2.00	124	220					11.54	7.0	2.10	143	190			10.00	6.7	2.30	53	513	26.97	4.1	0.80	GR57 GRF57	4P	284	93	10.11	2.2	1.65	GR37 GRF37	2P	65	417	21.93	4.2	1.00	77	354	18.60	4.1	1.20	85	320	16.79	4.0	1.30	97	281			14.77	4.0	1.45			103	266	13.95	3.9	1.50	120	226			11.88	3.8	1.65	133	205	10.79	3.7			1.75	153	178			9.35	3.6	1.95	GR57 GRF57	4P	303	87			9.47	2.3	1.70	GR27 GRF27	4P	158	172	9.06	3.6	2.00	179	152	7.97	3.5	2.20		190	143		7.53		3.5	2.30		223	122			6.41					3.3	2.60	246	111	5.82					3.3			2.70	283	96	5.05							3.1	3.00		326	84				4.39	3.0	3.10				131	208	21.93	3.8		2.00	GR57 GRF57	2P		331	80	4.32	2.0	1.45	GR27 GRF27	2P	154		176	18.60	3.6	2.40	171	159	16.79	3.5	2.60	194	140	14.77	3.4	2.90	206			132	13.95	3.4			3.00	242					113			11.88	3.3			3.30			266	102	10.79	3.2	3.50	88	309	16.22		1.9	0.85	GR47 GRF47		4P	353	75	4.05	2.0	1.45	GRX87 GRXF87	4P	98	277	14.56	2.4	0.90	114	239	12.54	2.9	0.95	121	224	11.79	2.9	1.00	141	193	10.15	2.8	1.10			222	126	6.45			6.8	1.45					GRX77 GRXF77			4P					257			109	5.56	6.5	2.00							282	99	5.07	6.3	2.40	318			88	4.50	6.1	3.20	378	74	3.78	5.8	3.90	440	63	3.25	4.3	2.70	464	60	3.08	4.3	3.10	379			74	3.77	3.0			1.15	GRX67 GRXF67	4P			447	63	3.20	2.9	1.55	495	56	2.89	2.8			1.80	563	50	2.54	2.7	2.30																																																																																																																																																															
80	342	17.95	7.8	1.60			91	301	15.79			7.6	1.75					96			284					14.91	7.5	1.80	113	242					12.70	7.2	2.00	124	220					11.54	7.0	2.10	143	190			10.00	6.7	2.30	53	513	26.97	4.1	0.80	GR57 GRF57	4P	284	93	10.11	2.2	1.65	GR37 GRF37	2P	65	417	21.93	4.2	1.00	77	354			18.60	4.1	1.20	85	320	16.79	4.0	1.30	97	281	14.77	4.0	1.45	103	266	13.95	3.9			1.50	120	226			11.88	3.8	1.65	133	205	10.79	3.7			1.75	153	178	9.35	3.6	1.95	GR57 GRF57			4P	303	87			9.47	2.3	1.70			GR27 GRF27	4P	158	172	9.06	3.6	2.00			179	152	7.97	3.5	2.20	190	143	7.53	3.5	2.30		223	122		6.41		3.3	2.60		246	111			5.82					3.3	2.70	283	96	5.05					3.1			3.00	326	84	4.39							3.0	3.10		131	208				21.93	3.8	2.00	GR57 GRF57	2P		331	80	4.32	2.0		1.45			GR27 GRF27	2P	154	176	18.60	3.6			2.40	171	159	16.79	3.5	2.60	194	140	14.77	3.4	2.90	206	132	13.95	3.4	3.00	242			113	11.88	3.3			3.30	266					102			10.79	3.2			3.50	88	309	16.22	1.9	0.85	GR47 GRF47	4P	353	75	4.05	2.0	1.45	GRX87 GRXF87		4P		98	277	14.56	2.4	0.90			114	239	12.54	2.9	0.95	121	224	11.79	2.9	1.00	141	193	10.15	2.8	1.10	222	126	6.45	6.8	1.45			GRX77 GRXF77	4P	257			109	5.56													6.5			2.00	282	99	5.07				6.3	2.40		318	88	4.50	6.1	3.20	378	74	3.78	5.8	3.90	440	63	3.25	4.3	2.70	464	60	3.08	4.3	3.10	379	74	3.77	3.0	1.15	GRX67 GRXF67	4P	447			63	3.20	2.9			1.55					495	56	2.89	2.8	1.80	563	50	2.54	2.7	2.30																																																																																																																																																																						
91	301	15.79	7.6	1.75			96	284	14.91			7.5	1.80					113			242					12.70	7.2	2.00	124	220					11.54	7.0	2.10	143	190			10.00	6.7	2.30	53	513	26.97	4.1	0.80	GR57 GRF57	4P	284	93	10.11	2.2	1.65	GR37 GRF37	2P	65	417	21.93	4.2	1.00	77	354			18.60	4.1	1.20	85	320	16.79	4.0			1.30	97	281	14.77	4.0	1.45	103	266	13.95	3.9	1.50	120	226	11.88	3.8	1.65	133			205	10.79	3.7			1.75	153	178	9.35	3.6	1.95	GR57 GRF57			4P	303	87	9.47	2.3	1.70					GR27 GRF27	4P	158	172	9.06	3.6	2.00					179	152	7.97	3.5	2.20			190	143	7.53	3.5	2.30	223	122	6.41	3.3	2.60		246	111		5.82		3.3	2.70		283	96			5.05					3.1	3.00	326	84	4.39					3.0			3.10	131	208	21.93							3.8	2.00	GR57 GRF57	2P	331	80			4.32	2.0	1.45			GR27 GRF27	2P	154	176	18.60	3.6	2.40					171	159	16.79	3.5			2.60	194	140	14.77	3.4	2.90	206	132	13.95	3.4	3.00	242	113	11.88	3.3	3.30	266			102	10.79	3.2			3.50	88		309	16.22		1.9			0.85	GR47 GRF47	4P	353	75	4.05	2.0	1.45	GRX87 GRXF87	4P			98	277	14.56	2.4	0.90					114	239	12.54	2.9	0.95			121	224	11.79	2.9	1.00	141	193	10.15	2.8	1.10	222	126	6.45	6.8	1.45	GRX77 GRXF77	4P	257	109	5.56					6.5			2.00	282													99	5.07	6.3	2.40	318	88	4.50		6.1	3.20	378	74		3.78	5.8	3.90	440	63	3.25	4.3	2.70	464	60	3.08	4.3	3.10	379	74	3.77	3.0	1.15	GRX67 GRXF67	4P	447	63	3.20	2.9	1.55			495			56	2.89	2.8			1.80			563	50	2.54	2.7	2.30																																																																																																																																																																													
96	284	14.91	7.5	1.80			113	242	12.70			7.2	2.00					124			220					11.54	7.0	2.10	143	190			10.00	6.7	2.30	53	513	26.97	4.1	0.80	GR57 GRF57	4P	284	93	10.11	2.2	1.65	GR37 GRF37	2P	65	417	21.93	4.2	1.00	77	354			18.60	4.1	1.20	85	320	16.79	4.0			1.30	97	281	14.77	4.0	1.45	103			266	13.95	3.9	1.50	120	226	11.88	3.8	1.65	133	205	10.79	3.7	1.75	153	178	9.35			3.6	1.95	GR57 GRF57			4P	303	87	9.47	2.3	1.70					GR27 GRF27	4P	158	172	9.06		3.6	2.00				179	152	7.97	3.5	2.20					190	143	7.53	3.5	2.30			223	122	6.41	3.3	2.60	246	111	5.82	3.3	2.70		283	96		5.05		3.1	3.00		326	84			4.39					3.0	3.10	131	208	21.93					3.8			2.00	GR57 GRF57	2P	331		80	4.32				2.0	1.45			GR27 GRF27	2P	154	176	18.60	3.6	2.40					171	159	16.79	3.5	2.60					194	140	14.77	3.4			2.90	206	132	13.95	3.4	3.00	242	113	11.88	3.3	3.30	266	102	10.79	3.2	3.50	88			309	16.22	1.9	0.85	GR47 GRF47	4P	353		75	4.05		2.0	1.45	GRX87 GRXF87	4P			98	277	14.56	2.4	0.90					114	239	12.54	2.9	0.95					121	224	11.79	2.9	1.00			141	193	10.15	2.8	1.10	222	126	6.45	6.8	1.45	GRX77 GRXF77	4P	257	109	5.56			6.5	2.00	282					99			5.07	6.3											2.40	318	88	4.50	6.1	3.20	378	74	3.78	5.8	3.90	440	63	3.25	4.3	2.70	464	60	3.08	4.3	3.10	379	74	3.77	3.0	1.15	GRX67 GRXF67	4P	447	63	3.20	2.9	1.55			495	56	2.89	2.8	1.80			563			50	2.54	2.7	2.30																																																																																																																																																																																						
113	242	12.70	7.2	2.00			124	220	11.54			7.0	2.10					143			190			10.00	6.7	2.30	53	513	26.97	4.1	0.80	GR57 GRF57	4P	284	93	10.11	2.2	1.65	GR37 GRF37	2P	65	417	21.93	4.2	1.00	77	354			18.60	4.1	1.20	85	320	16.79	4.0			1.30	97	281	14.77	4.0	1.45	103			266	13.95	3.9	1.50	120	226	11.88			3.8	1.65	133	205	10.79	3.7	1.75	153	178	9.35	3.6	1.95	GR57 GRF57	4P	303	87	9.47			2.3	1.70					GR27 GRF27	4P	158	172	9.06		3.6	2.00				179	152	7.97		3.5	2.20				190	143	7.53	3.5	2.30					223	122	6.41	3.3	2.60			246	111	5.82	3.3	2.70	283	96	5.05	3.1	3.00		326	84		4.39		3.0	3.10		131	208			21.93					3.8	2.00	GR57 GRF57	2P	331					80	4.32	2.0	1.45			GR27 GRF27		2P	154	176	18.60		3.6	2.40					171	159	16.79	3.5	2.60					194	140	14.77	3.4	2.90					206	132	13.95	3.4			3.00	242	113	11.88	3.3	3.30	266	102	10.79	3.2	3.50	88	309	16.22	1.9	0.85	GR47 GRF47	4P	353	75	4.05	2.0	1.45			GRX87 GRXF87	4P	98	277	14.56	2.4	0.90					114	239	12.54	2.9	0.95					121	224	11.79	2.9	1.00					141	193	10.15	2.8	1.10			222	126	6.45	6.8	1.45	GRX77 GRXF77	4P	257	109	5.56			6.5	2.00	282			99	5.07	6.3					2.40			318	88		4.50	6.1						3.20	378	74	3.78	5.8	3.90	440	63	3.25	4.3	2.70	464	60	3.08	4.3	3.10	379	74	3.77	3.0	1.15	GRX67 GRXF67	4P	447	63	3.20	2.9	1.55			495	56	2.89	2.8	1.80			563	50	2.54	2.7	2.30																																																																																																																																																																																															
124	220	11.54	7.0	2.10			143	190	10.00			6.7	2.30		53	513		26.97			4.1	0.80	GR57 GRF57	4P	284	93	10.11	2.2	1.65	GR37 GRF37	2P	65	417	21.93	4.2	1.00	77	354			18.60	4.1	1.20	85	320	16.79	4.0			1.30	97	281	14.77	4.0	1.45	103			266	13.95	3.9	1.50	120	226	11.88			3.8	1.65	133	205	10.79	3.7	1.75			153	178	9.35	3.6	1.95	GR57 GRF57	4P	303	87	9.47	2.3	1.70			GR27 GRF27	4P	158			172	9.06		3.6	2.00				179	152	7.97		3.5	2.20				190	143	7.53		3.5	2.30				223	122	6.41	3.3	2.60					246	111	5.82	3.3	2.70			283	96	5.05	3.1	3.00	326	84	4.39	3.0	3.10		131	208		21.93		3.8	2.00		GR57 GRF57	2P			331					80	4.32			2.0			1.45	GR27 GRF27	2P	154	176	18.60				3.6		2.40	171	159	16.79	3.5	2.60					194	140	14.77	3.4	2.90					206	132	13.95	3.4	3.00					242	113	11.88	3.3			3.30	266	102	10.79	3.2	3.50	88	309	16.22	1.9	0.85	GR47 GRF47	4P	353	75	4.05			2.0	1.45	GRX87 GRXF87	4P	98					277	14.56	2.4	0.90	114					239	12.54	2.9	0.95	121					224	11.79	2.9	1.00	141					193	10.15	2.8	1.10	222			126	6.45	6.8	1.45	GRX77 GRXF77			4P	257	109			5.56	6.5	2.00			282	99	5.07					6.3	2.40	318	88	4.50		6.1	3.20			378	74		3.78	5.8	3.90	440	63	3.25	4.3	2.70	464	60	3.08	4.3	3.10	379	74	3.77	3.0	1.15	GRX67 GRXF67	4P	447			63	3.20	2.9	1.55	495			56	2.89	2.8	1.80	563			50	2.54	2.7	2.30																																																																																																																																																																																																
143	190	10.00	6.7	2.30			53	513	26.97	4.1	0.80	GR57 GRF57	4P		284	93		10.11	2.2	1.65	GR37 GRF37	2P	65	417	21.93	4.2	1.00	77	354			18.60	4.1	1.20	85	320	16.79	4.0			1.30	97	281	14.77	4.0	1.45	103			266	13.95	3.9	1.50	120	226	11.88			3.8	1.65	133	205	10.79	3.7	1.75			153	178	9.35	3.6	1.95	GR57 GRF57	4P			303	87	9.47	2.3	1.70			GR27 GRF27	4P	158	172	9.06					3.6	2.00	179	152	7.97		3.5	2.20				190	143	7.53		3.5	2.30				223	122	6.41		3.3	2.60				246	111	5.82	3.3	2.70					283	96	5.05	3.1	3.00			326	84	4.39	3.0	3.10	131	208	21.93	3.8	2.00		GR57 GRF57	2P		331		80	4.32						2.0	1.45			GR27 GRF27	2P	154			176	18.60	3.6	2.40			171	159	16.79				3.5		2.60	194	140	14.77	3.4	2.90					206	132	13.95	3.4	3.00					242	113	11.88	3.3	3.30	266	102			10.79	3.2	3.50	88	309	16.22	1.9	0.85	GR47 GRF47	4P	353	75	4.05	2.0	1.45	GRX87 GRXF87	4P			98	277	14.56			2.4	0.90			114					239	12.54	2.9	0.95	121					224	11.79	2.9	1.00	141					193	10.15	2.8	1.10	222					126	6.45	6.8	1.45	GRX77 GRXF77			4P	257	109	5.56					6.5	2.00			282	99	5.07			6.3	2.40	318	88	4.50			6.1	3.20	378	74	3.78	5.8	3.90	440	63	3.25	4.3	2.70	464	60	3.08	4.3	3.10	379	74	3.77	3.0	1.15	GRX67 GRXF67	4P	447	63	3.20	2.9	1.55	495	56			2.89			2.8	1.80	563	50	2.54			2.7	2.30																																																																																																																																																																																																									
53	513	26.97	4.1	0.80	GR57 GRF57	4P	284	93	10.11	2.2	1.65	GR37 GRF37	2P																																																																																																																																																																																																																																																																																																																																																																																																																																																																																																																																																							
65	417	21.93	4.2	1.00	77	354	18.60	4.1	1.20	85	320			16.79	4.0	1.30	97	281	14.77	4.0			1.45	103	266	13.95	3.9	1.50	120			226	11.88	3.8	1.65	133	205	10.79			3.7	1.75	153	178	9.35	3.6	1.95			GR57 GRF57	4P	303	87	9.47	2.3	1.70			GR27 GRF27	4P	158	172	9.06	3.6	2.00			179	152	7.97	3.5	2.20			190	143	7.53	3.5	2.30	223	122					6.41	3.3	2.60					246	111	5.82	3.3	2.70		283	96				5.05	3.1	3.00		326	84				4.39	3.0	3.10		131	208				21.93	3.8	2.00	GR57 GRF57	2P					331	80	4.32	2.0	1.45			GR27 GRF27	2P	154	176	18.60	3.6	2.40	171	159	16.79	3.5			2.60	194	140	14.77	3.4	2.90			206	132	13.95	3.4	3.00	242			113			11.88	3.3	3.30	266			102	10.79	3.2				3.50		88	309	16.22	1.9	0.85	GR47 GRF47	4P	353			75	4.05	2.0	1.45	GRX87 GRXF87	4P	98	277	14.56	2.4	0.90	114	239	12.54	2.9	0.95	121	224	11.79	2.9	1.00	141	193	10.15	2.8	1.10			222	126	6.45	6.8	1.45					GRX77 GRXF77	4P	257			109	5.56			6.5					2.00	282	99	5.07	6.3					2.40	318	88	4.50	6.1					3.20	378	74	3.78	5.8		3.90		440	63	3.25	4.3	2.70		464	60		3.08	4.3	3.10					379	74			3.77	3.0	1.15	GRX67 GRXF67	4P	447	63	3.20	2.9	1.55	495	56	2.89	2.8	1.80	563	50	2.54	2.7	2.30																																																																																																																																																																																																																																														
77	354	18.60	4.1	1.20	85	320	16.79	4.0	1.30	97	281			14.77	4.0	1.45	103	266	13.95	3.9			1.50	120	226	11.88	3.8	1.65	133			205	10.79	3.7	1.75	153	178	9.35			3.6	1.95	GR57 GRF57	4P	303	87	9.47					2.3	1.70	GR27 GRF27	4P	158					172	9.06	3.6	2.00	179	152	7.97	3.5	2.20	190	143	7.53			3.5	2.30	223	122	6.41	3.3	2.60					246	111	5.82					3.3	2.70	283	96	5.05		3.1	3.00				326	84	4.39		3.0	3.10				131	208	21.93		3.8	2.00				GR57 GRF57	2P	331							80	4.32	2.0	1.45	GR27 GRF27					2P	154	176	18.60	3.6	2.40	171	159	16.79			3.5	2.60	194	140	14.77	3.4			2.90	206	132	13.95	3.4	3.00			242			113	11.88	3.3	3.30			266	102	10.79	3.2	3.50		88		309	16.22	1.9	0.85	GR47 GRF47			4P	353	75	4.05	2.0	1.45	GRX87 GRXF87			4P	98	277	14.56	2.4	0.90	114	239	12.54	2.9	0.95	121	224	11.79	2.9	1.00	141	193	10.15	2.8			1.10	222	126	6.45	6.8							1.45			GRX77 GRXF77	4P			257					109	5.56	6.5	2.00	282					99	5.07	6.3	2.40	318			88	4.50	6.1	3.20	378	74	3.78	5.8	3.90	440	63	3.25	4.3	2.70	464		60	3.08		4.3	3.10	379					74	3.77	3.0	1.15	GRX67 GRXF67	4P	447			63	3.20	2.9	1.55	495	56	2.89	2.8	1.80	563	50	2.54	2.7	2.30																																																																																																																																																																																																																																															
85	320	16.79	4.0	1.30	97	281	14.77	4.0	1.45	103	266			13.95	3.9	1.50	120	226	11.88	3.8			1.65	133	205	10.79	3.7	1.75	153			178	9.35	3.6	1.95	GR57 GRF57	4P	303			87	9.47			2.3	1.70	GR27 GRF27					4P	158			172	9.06	3.6			2.00	179	152	7.97	3.5	2.20	190	143	7.53	3.5	2.30	223			122	6.41	3.3	2.60	246	111	5.82					3.3	2.70	283					96	5.05	3.1	3.00	326		84	4.39				3.0	3.10	131		208	21.93				3.8	2.00	GR57 GRF57		2P	331						80			4.32	2.0			1.45	GR27 GRF27	2P	154		176	18.60				3.6	2.40	171	159	16.79	3.5	2.60	194			140	14.77	3.4	2.90	206	132			13.95	3.4	3.00	242	113	11.88			3.3	3.30	266	102	10.79	3.2	3.50			88	309	16.22	1.9	0.85	GR47 GRF47	4P	353	75	4.05	2.0	1.45					GRX87 GRXF87	4P	98	277	14.56					2.4	0.90	114	239	12.54	2.9	0.95	121	224	11.79	2.9	1.00	141	193	10.15	2.8	1.10	222	126			6.45	6.8	1.45	GRX77 GRXF77	4P							257							109					5.56	6.5	2.00	282	99			5.07	6.3	2.40	318	88	4.50	6.1	3.20	378	74	3.78	5.8	3.90	440	63	3.25	4.3	2.70	464	60	3.08	4.3	3.10	379		74	3.77		3.0	1.15	GRX67 GRXF67		4P	447		63	3.20	2.9	1.55			495			56	2.89	2.8	1.80	563	50	2.54	2.7	2.30																																																																																																																																																																																																																																																				
97	281	14.77	4.0	1.45	103	266	13.95	3.9	1.50	120	226			11.88	3.8	1.65	133	205	10.79	3.7			1.75	153	178	9.35	3.6	1.95	GR57 GRF57			4P	303	87	9.47			2.3			1.70	GR27 GRF27			4P	158		172	9.06				3.6			2.00	179	152			7.97	3.5	2.20	190	143	7.53	3.5	2.30	223	122	6.41	3.3			2.60	246	111	5.82	3.3	2.70	283					96	5.05	3.1					3.00	326	84	4.39	3.0		3.10	131				208	21.93	3.8		2.00	GR57 GRF57				2P	331		80		4.32	2.0					1.45			GR27 GRF27	2P	154	176	18.60			3.6		2.40	171				159	16.79	3.5	2.60	194	140	14.77	3.4			2.90	206	132	13.95	3.4	3.00	242	113	11.88	3.3	3.30	266	102	10.79			3.2	3.50	88	309	16.22	1.9	0.85	GR47 GRF47	4P	353	75	4.05	2.0	1.45			GRX87 GRXF87	4P	98	277	14.56							2.4	0.90	114					239	12.54	2.9	0.95	121	224	11.79	2.9	1.00	141	193	10.15	2.8	1.10	222	126	6.45	6.8	1.45			GRX77 GRXF77	4P	257									109							5.56	6.5	2.00			282	99	5.07	6.3	2.40	318	88	4.50	6.1	3.20	378	74	3.78	5.8	3.90	440	63	3.25	4.3	2.70	464	60	3.08	4.3	3.10	379	74	3.77	3.0	1.15	GRX67 GRXF67		4P	447		63	3.20		2.9		1.55	495	56	2.89	2.8	1.80			563			50	2.54	2.7	2.30																																																																																																																																																																																																																																																									
103	266	13.95	3.9	1.50	120	226	11.88	3.8	1.65	133	205			10.79	3.7	1.75	153	178	9.35	3.6			1.95	GR57 GRF57	4P	303	87	9.47					2.3	1.70	GR27 GRF27			4P	158	172	9.06					3.6		2.00	179				152			7.97	3.5	2.20			190	143	7.53	3.5	2.30	223	122	6.41	3.3	2.60	246	111			5.82	3.3	2.70	283	96	5.05	3.1					3.00	326	84					4.39	3.0	3.10	131	208		21.93	3.8				2.00	GR57 GRF57	2P	331	80		4.32				2.0		1.45		GR27 GRF27	2P	154	176			18.60					3.6	2.40	171			159		16.79	3.5				2.60	194	140	14.77	3.4	2.90	206	132	13.95	3.4	3.00	242	113	11.88	3.3	3.30	266	102	10.79	3.2	3.50	88	309	16.22	1.9	0.85	GR47 GRF47	4P	353	75	4.05	2.0	1.45			GRX87 GRXF87	4P	98	277	14.56					2.4	0.90	114							239	12.54	2.9					0.95	121	224	11.79	2.9	1.00	141	193	10.15	2.8	1.10	222	126	6.45	6.8	1.45	GRX77 GRXF77	4P	257					109									5.56	6.5	2.00					282	99	5.07	6.3	2.40	318	88	4.50	6.1	3.20	378	74	3.78	5.8	3.90	440	63	3.25	4.3	2.70	464	60	3.08	4.3	3.10	379	74	3.77	3.0	1.15	GRX67 GRXF67	4P	447	63	3.20		2.9		1.55	495	56	2.89		2.8		1.80	563	50	2.54	2.7	2.30																																																																																																																																																																																																																																																																		
120	226	11.88	3.8	1.65	133	205	10.79	3.7	1.75	153	178			9.35	3.6	1.95	GR57 GRF57	4P	303	87			9.47			2.3	1.70	GR27 GRF27		4P	158		172	9.06					3.6	2.00	179					152		7.97	3.5				2.20			190	143	7.53			3.5	2.30	223	122	6.41	3.3	2.60	246	111	5.82	3.3	2.70			283	96	5.05	3.1	3.00	326	84					4.39	3.0	3.10					131	208	21.93	3.8	2.00	GR57 GRF57	2P	331	80			4.32			2.0	1.45		GR27 GRF27	2P	154		176		18.60				3.6	2.40			171					159	16.79	3.5			2.60		194	140				14.77	3.4	2.90	206	132	13.95	3.4	3.00	242	113	11.88	3.3	3.30	266	102	10.79	3.2	3.50	88	309	16.22	1.9	0.85	GR47 GRF47	4P	353			75	4.05	2.0	1.45	GRX87 GRXF87					4P	98	277					14.56	2.4	0.90							114	239	12.54					2.9	0.95	121	224	11.79	2.9	1.00	141	193	10.15	2.8	1.10	222	126	6.45	6.8			1.45					GRX77 GRXF77					4P	257			109	5.56	6.5			2.00	282	99	5.07	6.3	2.40	318	88	4.50	6.1	3.20	378	74	3.78	5.8	3.90	440	63	3.25	4.3	2.70	464	60	3.08	4.3	3.10	379	74	3.77	3.0	1.15	GRX67 GRXF67			4P	447	63		3.20		2.9	1.55	495	56		2.89		2.8	1.80	563	50	2.54	2.7	2.30																																																																																																																																																																																																																																																																	
133	205	10.79	3.7	1.75	153	178	9.35	3.6	1.95	GR57 GRF57	4P			303	87	9.47			2.3	1.70	GR27 GRF27	4P	158			172	9.06				3.6		2.00	179					152	7.97	3.5					2.20		190	143				7.53			3.5	2.30	223			122	6.41	3.3	2.60	246	111	5.82	3.3	2.70	283	96	5.05			3.1	3.00	326	84	4.39	3.0	3.10					131	208	21.93	3.8	2.00			GR57 GRF57	2P	331	80	4.32			2.0	1.45	GR27 GRF27	2P	154			176	18.60				3.6		2.40		171				159	16.79			3.5	2.60	194			140	14.77	3.4			2.90		206	132	13.95	3.4		3.00	242	113	11.88	3.3	3.30	266	102	10.79	3.2	3.50	88	309	16.22	1.9	0.85	GR47 GRF47	4P	353	75	4.05	2.0	1.45			GRX87 GRXF87			4P	98	277	14.56							2.4	0.90					114	239	12.54							2.9	0.95	121					224	11.79	2.9	1.00	141	193	10.15	2.8	1.10	222	126	6.45	6.8	1.45	GRX77 GRXF77	4P			257	109	5.56						6.5	2.00		282	99	5.07	6.3	2.40	318			88	4.50	6.1	3.20	378	74	3.78	5.8	3.90	440	63	3.25	4.3	2.70	464	60	3.08	4.3	3.10	379	74	3.77	3.0	1.15	GRX67 GRXF67	4P	447	63	3.20	2.9	1.55					495	56		2.89		2.8	1.80	563	50	2.54	2.7	2.30																																																																																																																																																																																																																																																																								
153	178	9.35	3.6	1.95	GR57 GRF57	4P	303	87	9.47			2.3	1.70	GR27 GRF27	4P																																																																																																																																																																																																																																																																																																																																																																																																																																																																																																																																																					
158	172	9.06	3.6	2.00			179	152	7.97			3.5	2.20			190			143	7.53			3.5			2.30	223				122		6.41	3.3					2.60	246	111					5.82		3.3	2.70				283			96	5.05	3.1			3.00	326	84	4.39	3.0	3.10	131	208	21.93	3.8	2.00	GR57 GRF57	2P	331	80	4.32	2.0	1.45	GR27 GRF27	2P	154	176	18.60	3.6	2.40	171	159	16.79	3.5	2.60	194	140			14.77	3.4	2.90			206	132			13.95			3.4	3.00				242		113	11.88	3.3	3.30			266	102	10.79	3.2	3.50	88	309			16.22	1.9	0.85	GR47 GRF47	4P	353	75	4.05	2.0	1.45	GRX87 GRXF87	4P	98	277	14.56	2.4	0.90	114	239	12.54	2.9	0.95	121	224	11.79	2.9	1.00	141			193	10.15	2.8	1.10	222							126	6.45	6.8							1.45	GRX77 GRXF77					4P	257	109		5.56	6.5				2.00	282	99		5.07	6.3		2.40	318	88	4.50	6.1	3.20	378	74	3.78	5.8	3.90	440	63	3.25					4.3	2.70	464				60	3.08	4.3	3.10		379	74	3.77	3.0	1.15	GRX67 GRXF67	4P	447	63	3.20	2.9	1.55	495	56	2.89	2.8	1.80	563	50	2.54	2.7	2.30																																																																																																																																																																																																																																																																																																									
179	152	7.97	3.5	2.20			190	143	7.53			3.5	2.30			223			122	6.41			3.3			2.60	246				111		5.82	3.3					2.70	283	96					5.05		3.1	3.00				326			84	4.39	3.0			3.10	131	208	21.93	3.8	2.00	GR57 GRF57	2P	331	80	4.32			2.0	1.45	GR27 GRF27	2P	154			176	18.60	3.6	2.40	171	159	16.79	3.5	2.60	194	140	14.77			3.4	2.90	206			132	13.95			3.4			3.00	242	113			11.88	3.3	3.30	266	102	10.79			3.2	3.50	88	309	16.22	1.9	0.85	GR47 GRF47	4P	353	75	4.05			2.0	1.45	GRX87 GRXF87	4P	98			277	14.56	2.4	0.90	114	239	12.54	2.9	0.95	121	224	11.79	2.9	1.00	141	193			10.15	2.8	1.10	222	126							6.45	6.8	1.45							GRX77 GRXF77							4P	257	109	5.56	6.5	2.00			282	99	5.07	6.3	2.40	318	88	4.50	6.1	3.20	378	74	3.78	5.8	3.90	440	63	3.25	4.3	2.70	464					60	3.08	4.3	3.10	379		74	3.77	3.0	1.15		GRX67 GRXF67	4P	447	63	3.20			2.9	1.55	495	56	2.89	2.8	1.80	563	50	2.54	2.7	2.30																																																																																																																																																																																																																																																																																																												
190	143	7.53	3.5	2.30			223	122	6.41			3.3	2.60			246			111	5.82			3.3			2.70	283				96		5.05	3.1					3.00	326	84					4.39		3.0	3.10	131	208		21.93			3.8	2.00	GR57 GRF57	2P	331	80	4.32	2.0	1.45	GR27 GRF27	2P			154	176	18.60			3.6	2.40			171			159	16.79	3.5	2.60	194	140	14.77	3.4	2.90	206	132	13.95			3.4	3.00	242			113	11.88			3.3	3.30	266	102	10.79	3.2			3.50	88	309	16.22	1.9	0.85	GR47 GRF47	4P	353	75	4.05	2.0	1.45	GRX87 GRXF87	4P			98	277	14.56			2.4	0.90			114			239	12.54	2.9	0.95	121	224	11.79	2.9	1.00	141	193	10.15	2.8	1.10	222	126			6.45	6.8	1.45	GRX77 GRXF77	4P							257	109	5.56									6.5	2.00					282	99	5.07	6.3	2.40	318	88	4.50	6.1	3.20	378	74	3.78	5.8	3.90	440	63	3.25	4.3	2.70	464	60	3.08	4.3	3.10	379	74	3.77			3.0	1.15	GRX67 GRXF67	4P	447	63	3.20		2.9	1.55	495	56				2.89	2.8	1.80			563	50	2.54	2.7	2.30																																																																																																																																																																																																																																																																																																																			
223	122	6.41	3.3	2.60			246	111	5.82			3.3	2.70			283			96	5.05			3.1			3.00	326				84		4.39	3.0					3.10	131	208		21.93	3.8		2.00		GR57 GRF57	2P	331	80		4.32	2.0	1.45	GR27 GRF27	2P			154	176	18.60	3.6	2.40					171	159	16.79			3.5	2.60			194			140	14.77	3.4	2.90	206	132	13.95	3.4	3.00	242	113	11.88			3.3	3.30	266	102	10.79	3.2	3.50			88	309	16.22	1.9	0.85	GR47 GRF47	4P	353	75	4.05	2.0	1.45	GRX87 GRXF87	4P			98	277	14.56	2.4	0.90					114	239	12.54			2.9	0.95			121			224	11.79	2.9	1.00	141	193	10.15	2.8	1.10	222	126	6.45	6.8	1.45	GRX77 GRXF77	4P			257	109	5.56									6.5	2.00	282		99	5.07						6.3	2.40	318	88			4.50	6.1	3.20	378	74	3.78	5.8	3.90	440	63	3.25	4.3	2.70	464	60	3.08	4.3	3.10	379	74	3.77	3.0	1.15	GRX67 GRXF67	4P	447	63	3.20			2.9	1.55			495	56	2.89	2.8	1.80	563	50	2.54	2.7			2.30																																																																																																																																																																																																																																																																																																																												
246	111	5.82	3.3	2.70			283	96	5.05			3.1	3.00			326			84	4.39			3.0			3.10	131				208		21.93	3.8		2.00	GR57 GRF57		2P	331	80		4.32	2.0		1.45	GR27 GRF27			2P	154	176	18.60	3.6	2.40					171	159	16.79	3.5	2.60					194	140	14.77			3.4	2.90			206			132	13.95	3.4	3.00	242	113	11.88	3.3	3.30	266	102	10.79	3.2	3.50	88	309	16.22	1.9	0.85	GR47 GRF47	4P	353	75	4.05	2.0	1.45	GRX87 GRXF87	4P			98	277	14.56	2.4	0.90					114	239	12.54	2.9	0.95					121	224	11.79			2.9	1.00			141			193	10.15	2.8	1.10	222	126	6.45	6.8	1.45	GRX77 GRXF77	4P	257	109	5.56					6.5	2.00	282						99	5.07		6.3	2.40	318		88	4.50	6.1	3.20				378	74	3.78	5.8			3.90	440	63	3.25	4.3	2.70	464	60	3.08	4.3	3.10	379	74	3.77	3.0	1.15	GRX67 GRXF67	4P	447	63	3.20	2.9	1.55			495	56	2.89	2.8	1.80	563	50			2.54	2.7	2.30																																																																																																																																																																																																																																																																																																																																					
283	96	5.05	3.1	3.00			326	84	4.39			3.0	3.10			131			208	21.93			3.8			2.00	GR57 GRF57		2P		331	80	4.32	2.0		1.45				GR27 GRF27	2P	154	176	18.60	3.6	2.40					171	159	16.79	3.5	2.60					194	140	14.77	3.4	2.90					206	132	13.95			3.4	3.00			242			113	11.88	3.3	3.30	266	102	10.79	3.2	3.50	88	309	16.22	1.9	0.85	GR47 GRF47	4P	353	75	4.05			2.0	1.45	GRX87 GRXF87	4P	98					277	14.56	2.4	0.90	114					239	12.54	2.9	0.95	121					224	11.79	2.9			1.00	141			193			10.15	2.8	1.10	222	126	6.45	6.8	1.45	GRX77 GRXF77			4P	257	109					5.56	6.5	2.00			282	99		5.07	6.3		2.40	318	88	4.50	6.1	3.20	378	74	3.78			5.8	3.90	440	63			3.25	4.3	2.70	464	60	3.08	4.3	3.10	379	74	3.77	3.0	1.15	GRX67 GRXF67	4P	447			63	3.20	2.9	1.55	495			56	2.89	2.8	1.80	563	50	2.54			2.7	2.30																																																																																																																																																																																																																																																																																																																																						
326	84	4.39	3.0	3.10			131	208	21.93			3.8	2.00			GR57 GRF57			2P	331			80	4.32	2.0	1.45					GR27 GRF27	2P	154	176	18.60	3.6		2.40				171	159	16.79	3.5	2.60					194	140	14.77	3.4	2.90					206	132	13.95	3.4	3.00					242	113	11.88	3.3	3.30	266	102			10.79	3.2	3.50	88	309	16.22	1.9	0.85	GR47 GRF47	4P	353	75	4.05	2.0	1.45	GRX87 GRXF87	4P			98	277	14.56			2.4	0.90			114					239	12.54	2.9	0.95	121					224	11.79	2.9	1.00	141					193	10.15	2.8			1.10	222			126			6.45	6.8	1.45	GRX77 GRXF77	4P	257	109	5.56					6.5	2.00			282	99	5.07	6.3	2.40			318	88	4.50	6.1	3.20	378	74	3.78	5.8	3.90	440	63	3.25	4.3	2.70		464	60	3.08	4.3	3.10	379		74	3.77	3.0	1.15	GRX67 GRXF67	4P	447	63	3.20	2.9	1.55	495	56			2.89			2.8	1.80	563	50	2.54			2.7	2.30																																																																																																																																																																																																																																																																																																																																															
131	208	21.93	3.8	2.00			GR57 GRF57	2P	331			80	4.32				2.0	1.45		GR27 GRF27			2P																																																																																																																																																																																																																																																																																																																																																																																																																																																																																																																																													
154	176	18.60	3.6	2.40					171	159	16.79	3.5	2.60				194	140			14.77	3.4		2.90	206	132		13.95		3.4			3.00	242	113	11.88		3.3				3.30	266	102	10.79	3.2					3.50	88	309	16.22	1.9			0.85	GR47 GRF47	4P	353	75	4.05	2.0	1.45	GRX87 GRXF87	4P	98	277	14.56	2.4	0.90	114	239	12.54	2.9	0.95	121	224	11.79	2.9	1.00	141	193	10.15			2.8	1.10	222	126	6.45					6.8	1.45	GRX77 GRXF77			4P	257			109					5.56	6.5	2.00	282	99					5.07	6.3	2.40	318	88					4.50	6.1	3.20	378	74	3.78	5.8			3.90	440	63	3.25	4.3	2.70			464	60	3.08					4.3	3.10			379	74	3.77	3.0	1.15	GRX67 GRXF67	4P	447	63	3.20	2.9	1.55	495	56	2.89	2.8	1.80	563	50	2.54	2.7	2.30																																																																																																																																																																																																																																																																																																																																																																																		
171	159	16.79	3.5	2.60	194	140			14.77	3.4	2.90	206	132	13.95	3.4		3.00	242			113	11.88		3.3	3.30	266		102		10.79			3.2	3.50	88	309		16.22				1.9	0.85	GR47 GRF47	4P	353		75	4.05		2.0	1.45	GRX87 GRXF87	4P	98	277	14.56	2.4			0.90	114	239	12.54	2.9			0.95	121	224	11.79	2.9	1.00	141	193	10.15	2.8	1.10	222	126	6.45	6.8	1.45	GRX77 GRXF77	4P			257	109	5.56	6.5	2.00					282	99					5.07			6.3					2.40	318	88	4.50	6.1					3.20	378	74	3.78	5.8			3.90	440	63	3.25	4.3	2.70	464	60	3.08	4.3	3.10	379	74	3.77	3.0	1.15	GRX67 GRXF67			4P	447	63					3.20	2.9	1.55	495	56	2.89	2.8	1.80	563			50	2.54	2.7	2.30																																																																																																																																																																																																																																																																																																																																																																																													
194	140	14.77	3.4	2.90	206	132			13.95	3.4	3.00	242	113	11.88	3.3		3.30	266			102	10.79		3.2	3.50	88		309		16.22			1.9	0.85	GR47 GRF47	4P	353	75	4.05			2.0	1.45			GRX87 GRXF87	4P	98	277	14.56	2.4	0.90			114	239	12.54	2.9			0.95	121	224	11.79	2.9			1.00	141	193	10.15	2.8	1.10	222	126	6.45	6.8	1.45	GRX77 GRXF77	4P	257	109	5.56					6.5	2.00	282	99	5.07					6.3	2.40					318			88					4.50	6.1	3.20	378	74			3.78	5.8	3.90	440	63	3.25	4.3	2.70	464	60	3.08	4.3	3.10	379	74	3.77	3.0	1.15	GRX67 GRXF67	4P	447	63	3.20	2.9	1.55					495	56		2.89	2.8		1.80	563	50	2.54	2.7	2.30																																																																																																																																																																																																																																																																																																																																																																																																						
206	132	13.95	3.4	3.00	242	113			11.88	3.3	3.30	266	102	10.79	3.2		3.50	88			309	16.22		1.9	0.85	GR47 GRF47	4P	353	75	4.05			2.0	1.45			GRX87 GRXF87	4P	98	277	14.56	2.4	0.90					114	239	12.54	2.9	0.95			121	224	11.79	2.9			1.00	141	193	10.15	2.8			1.10	222	126	6.45	6.8	1.45	GRX77 GRXF77	4P	257	109	5.56			6.5	2.00	282					99	5.07	6.3	2.40	318					88	4.50					6.1			3.20			378	74	3.78	5.8	3.90	440	63	3.25	4.3	2.70	464	60	3.08	4.3	3.10	379	74	3.77	3.0	1.15	GRX67 GRXF67	4P	447	63	3.20	2.9	1.55			495	56	2.89	2.8	1.80					563	50	2.54	2.7	2.30																																																																																																																																																																																																																																																																																																																																																																																																													
242	113	11.88	3.3	3.30	266	102			10.79	3.2	3.50	88	309	16.22	1.9	0.85	GR47 GRF47	4P	353		75	4.05		2.0	1.45			GRX87 GRXF87	4P	98	277	14.56	2.4	0.90					114	239	12.54	2.9	0.95					121	224	11.79	2.9	1.00			141	193	10.15	2.8			1.10	222	126	6.45	6.8			1.45	GRX77 GRXF77	4P	257	109	5.56			6.5	2.00	282			99	5.07	6.3					2.40	318	88	4.50	6.1					3.20	378		74	3.78		5.8			3.90	440	63	3.25	4.3	2.70	464	60	3.08	4.3	3.10	379	74	3.77	3.0	1.15	GRX67 GRXF67	4P	447	63	3.20	2.9	1.55			495	56	2.89	2.8	1.80			563	50	2.54	2.7	2.30																																																																																																																																																																																																																																																																																																																																																																																																																						
266	102	10.79	3.2	3.50	88	309	16.22	1.9	0.85	GR47 GRF47	4P	353	75	4.05	2.0	1.45			GRX87 GRXF87	4P	98	277	14.56	2.4	0.90					114	239	12.54	2.9	0.95					121	224	11.79	2.9	1.00					141	193	10.15	2.8	1.10			222	126	6.45	6.8			1.45	GRX77 GRXF77	4P	257	109			5.56			6.5	2.00	282			99	5.07	6.3			2.40	318	88					4.50	6.1	3.20	378	74			3.78	5.8	3.90	440		63	3.25		4.3	2.70	464	60	3.08	4.3	3.10	379	74	3.77	3.0	1.15	GRX67 GRXF67	4P	447	63	3.20	2.9	1.55			495	56	2.89	2.8	1.80			563	50	2.54	2.7	2.30																																																																																																																																																																																																																																																																																																																																																																																																																													
88	309	16.22	1.9	0.85	GR47 GRF47	4P	353	75	4.05			2.0	1.45	GRX87 GRXF87	4P																																																																																																																																																																																																																																																																																																																																																																																																																																																																																																																																																					
98	277	14.56	2.4	0.90			114	239	12.54			2.9	0.95			121					224	11.79	2.9	1.00	141					193	10.15	2.8	1.10	222					126	6.45	6.8	1.45	GRX77 GRXF77					4P	257	109	5.56	6.5			2.00	282	99	5.07			6.3			2.40	318			88			4.50	6.1	3.20			378	74	3.78			5.8	3.90	440	63	3.25	4.3	2.70	464	60	3.08	4.3	3.10	379	74	3.77	3.0	1.15	GRX67 GRXF67	4P	447	63	3.20	2.9	1.55	495	56	2.89	2.8	1.80	563	50	2.54	2.7	2.30																																																																																																																																																																																																																																																																																																																																																																																																																																																		
114	239	12.54	2.9	0.95			121	224	11.79			2.9	1.00			141					193	10.15	2.8	1.10	222					126	6.45	6.8	1.45	GRX77 GRXF77					4P	257	109	5.56							6.5	2.00	282	99			5.07	6.3	2.40	318	88	4.50	6.1			3.20	378	74	3.78	5.8			3.90	440	63			3.25	4.3	2.70	464	60	3.08	4.3	3.10	379	74	3.77	3.0	1.15	GRX67 GRXF67	4P	447	63	3.20	2.9	1.55	495	56			2.89	2.8	1.80	563	50	2.54	2.7	2.30																																																																																																																																																																																																																																																																																																																																																																																																																																																									
121	224	11.79	2.9	1.00			141	193	10.15			2.8	1.10			222					126	6.45	6.8	1.45	GRX77 GRXF77					4P	257	109	5.56							6.5	2.00	282		99	5.07				6.3	2.40	318	88	4.50	6.1	3.20	378	74	3.78	5.8	3.90	440			63	3.25	4.3	2.70	464			60	3.08	4.3	3.10	379	74	3.77	3.0	1.15	GRX67 GRXF67	4P	447	63	3.20	2.9	1.55	495	56			2.89	2.8	1.80	563	50	2.54	2.7			2.30																																																																																																																																																																																																																																																																																																																																																																																																																																																																
141	193	10.15	2.8	1.10			222	126	6.45			6.8	1.45			GRX77 GRXF77					4P	257	109	5.56							6.5	2.00	282		99	5.07				6.3	2.40	318		88	4.50	6.1	3.20		378	74	3.78	5.8	3.90	440	63	3.25	4.3	2.70	464	60	3.08			4.3	3.10	379	74	3.77	3.0	1.15	GRX67 GRXF67	4P	447	63	3.20	2.9	1.55	495	56			2.89	2.8	1.80	563	50	2.54	2.7			2.30																																																																																																																																																																																																																																																																																																																																																																																																																																																																									
222	126	6.45	6.8	1.45			GRX77 GRXF77	4P																																																																																																																																																																																																																																																																																																																																																																																																																																																																																																																																																												
257	109	5.56	6.5	2.00					282			99	5.07				6.3	2.40				318	88	4.50		6.1	3.20	378	74		3.78	5.8	3.90		440	63	3.25	4.3		2.70	464	60		3.08	4.3	3.10	379		74	3.77	3.0	1.15	GRX67 GRXF67	4P	447	63	3.20	2.9	1.55	495	56	2.89	2.8	1.80	563	50	2.54	2.7	2.30																																																																																																																																																																																																																																																																																																																																																																																																																																																																																															
282	99	5.07	6.3	2.40					318	88	4.50	6.1	3.20				378	74	3.78	5.8		3.90	440	63		3.25	4.3	2.70	464		60	3.08	4.3		3.10	379	74	3.77		3.0	1.15	GRX67 GRXF67	4P	447	63	3.20	2.9	1.55	495	56	2.89	2.8			1.80	563	50	2.54	2.7	2.30																																																																																																																																																																																																																																																																																																																																																																																																																																																																																																								
318	88	4.50	6.1	3.20	378	74			3.78	5.8	3.90	440	63	3.25	4.3		2.70	464	60	3.08		4.3	3.10	379		74	3.77	3.0	1.15		GRX67 GRXF67	4P	447	63	3.20	2.9	1.55	495	56	2.89	2.8			1.80	563	50	2.54	2.7	2.30																																																																																																																																																																																																																																																																																																																																																																																																																																																																																																																			
378	74	3.78	5.8	3.90	440	63			3.25	4.3	2.70	464	60	3.08	4.3		3.10	379	74	3.77		3.0	1.15	GRX67 GRXF67	4P	447	63	3.20	2.9	1.55			495	56	2.89	2.8	1.80	563	50	2.54	2.7			2.30																																																																																																																																																																																																																																																																																																																																																																																																																																																																																																																								
440	63	3.25	4.3	2.70	464	60			3.08	4.3	3.10	379	74	3.77	3.0	1.15	GRX67 GRXF67	4P	447	63	3.20	2.9	1.55			495	56	2.89	2.8	1.80			563	50	2.54	2.7	2.30																																																																																																																																																																																																																																																																																																																																																																																																																																																																																																																															
464	60	3.08	4.3	3.10	379	74	3.77	3.0	1.15	GRX67 GRXF67	4P	447	63	3.20	2.9	1.55			495	56	2.89	2.8	1.80			563	50	2.54	2.7	2.30																																																																																																																																																																																																																																																																																																																																																																																																																																																																																																																																						
379	74	3.77	3.0	1.15	GRX67 GRXF67	4P																																																																																																																																																																																																																																																																																																																																																																																																																																																																																																																																																														
447	63	3.20	2.9	1.55			495	56	2.89			2.8	1.80	563	50	2.54			2.7	2.30																																																																																																																																																																																																																																																																																																																																																																																																																																																																																																																																																
495	56	2.89	2.8	1.80			563	50	2.54			2.7	2.30																																																																																																																																																																																																																																																																																																																																																																																																																																																																																																																																																							
563	50	2.54	2.7	2.30																																																																																																																																																																																																																																																																																																																																																																																																																																																																																																																																																																



选型参数表
(恒功率)

Selection Table
(Constant Power)

n_a [r/min]	Ma [Nm]	i	F_{ra} [kN]	f_B	机型号 Type size	极数 Pole	n_a [r/min]	Ma [Nm]	i	F_{ra} [kN]	f_B	机型号 Type size	极数 Pole		
3.0kW							4.0kW								
596	47	2.40	2.7	2.50	GRX67 GRXF67	4P	3.8	9098	380	43	0.90	GR137R77	4P		
701	40	2.04	2.6	3.20			4.2	8212	343	49	0.95	GRF137R77			
769	36	1.86	2.5	3.30			4.8	7206	301	52	1.10				
888	31	1.61	2.4	3.50			7.7	4477	187	26	0.95	GR107R77 GRF107R77			
1021	27	1.40	2.3	3.60			7.5	4621	193	20	0.95	GR107R77			
455	61	3.14	2.2	1.00	GRX57 GRXF57	4P	8.4	4118	172	28	1.05	GRF107R77	4P		
542	52	2.64	2.1	1.30			4.4	8241	163.51	66	1.50				
603	46	2.37	2.1	1.40			4.9	7396	146.74	67	1.65	GR147 GRF147			
701	40	2.04	2.0	1.65			6.0	6009	119.22	68	2.00				
745	38	1.92	2.0	1.75			6.6	5478	108.69	69	2.20				
867	32	1.65	1.9	2.00			4.1	8804	174.68	46	0.85				
966	29	1.48	1.8	2.20			4.6	7891	156.56	50	0.95				
1100	25	1.30	1.8	2.40			5.1	7124	141.35	52	1.05	GR137			
4.0kW							5.6	6471	128.38	53	1.20	GRF137	8P		
0.89	43008	1610	128	0.85			GR177R107 GRF177R107	4P	6.3	5741	113.90	54	1.35		
1.0	38147	1428	128	0.95					7.0	5210	103.36	55	1.45		
1.1	34487	1291	128	1.05	4.3	8428			222.96	48	0.90				
1.3	30613	1146	128	1.20	5.1	7135			188.75	52	1.05				
1.4	27114	1015	128	1.35	5.5	6603			174.68	53	1.15				
1.6	24416	914	128	1.50	6.1	5918			156.56	54	1.30	GR137 GRF137			
1.8	21664	811	128	1.70	6.8	5343			141.35	55	1.40				
2.0	19608	734	128	1.85	7.5	4853			128.38	55	1.55				
2.2	17711	663	128	2.05	8.4	4306			113.90	56	1.75				
2.6	15013	562	128	2.45	9.3	3907			103.36	56	1.95				
2.9	13330	499	128	2.75	11	3359	88.85	57	2.30						
1.0	37855	1427	128	0.95	GR177R97 GRF177R97	4P	8.4	4343	172.34	26	0.95				
1.2	32443	1223	128	1.15			9.1	3999	158.68	28	1.00				
1.3	30454	1148	128	1.20			10	3574	141.83	30	1.15				
1.5	26103	984	128	1.40			11	3218	127.68	32	1.25				
1.8	20957	790	128	1.75			12	2914	115.63	33	1.40				
2.0	18729	706	128	1.95			14	2584	102.53	34	1.55	GR107 GRF107			
2.7	14192	535	128	2.60			16	2336	92.70	34	1.70				
3.0	12707	479	128	2.90			18	1980	78.57	33	2.00				
1.6	20973	876	114	0.85			20	1837	72.88	32	2.20				
1.9	18483	772	114	0.95			22	1653	65.60	32	2.40				
2.2	15753	658	114	1.15			24	1497	59.41	31	2.70				
2.8	12258	512	114	1.45	27	1328	52.68	30	3.00						
3.8	9050	378	114	2.00	GR167R97 GRF167R97	4P	12	2935	116.48	13	0.95				
4.3	8092	338	114	2.20			14	2607	103.44	21	1.10				
2.7	12761	533	59	1.00			16	2331	92.48	23	1.20				
3.1	11109	464	63	1.20			17	2095	83.15	24	1.35				
3.4	10223	427	64	1.25			20	1819	72.17	25	1.55				
4.0	8691	363	66	1.50			22	1643	65.21	25	1.70	GR97 GRF97			
4.5	7661	320	67	1.70			24	1510	59.92	24	1.85				
5.1	6728	281	68	1.95			27	1341	53.21	23	2.10				
5.8	5937	248	69	2.20			30	1199	47.58	23	2.30				
6.7	5171	216	69	2.50			34	1078	42.78	22	2.60				
7.8	4429	185	70	2.95	39	936	37.13	21	3.00						
8.9	3855	161	70	3.35	43	838	33.25	21	3.20						
2.4	14580	609	44	0.90	GR147R87 GRF147R87	4P	45	808	32.05	21	3.00				
2.6	13144	549	58	1.00			53	685	27.19	20	3.50	GR97 GRF97			
3.0	11516	481	61	1.15			58	631	25.03	19	4.20				
3.5	9912	414	64	1.30			64	564	22.37	19	4.50				
3.8	9193	384	43	0.85			71	508	20.14	18	4.80				
4.4	7781	325	51	1.05			GR147R77 GRF147R77	4P	23	1612	63.96	13	0.90		
4.9	7015	293	52	1.15					24	1527	60.61	13	0.95		
5.6	6129	256	54	1.30					27	1337	53.05	14	1.10		
6.5	5315	222	55	1.50					30	1204	47.79	15	1.20		
									34	1056	41.92	16	1.40		

选型参数表
(恒功率)

Selection Table
(Constant Power)

n_a [r/min]	M_a [Nm]	i	F_{ra} [kN]	f_B	机型号 Type size	极数 Pole	n_a [r/min]	M_a [Nm]	i	F_{ra} [kN]	f_B	机型号 Type size	极数 Pole																																																																																																																																																																																																																																																																																																																																																																																																																																																																																																																																																																																																			
4.0kW							4.0kW																																																																																																																																																																																																																																																																																																																																																																																																																																																																																																																																																																																																									
39	932	37.00	17	1.55	GR87	4P	207	175	6.96	2.4	0.85	GR47 GRF47	4P																																																																																																																																																																																																																																																																																																																																																																																																																																																																																																																																																																																																			
44	827	32.80	17	1.75	GRF87		51	706	28.00	16	2.00				42	871	34.55	17	1.60	GR87 GRF87	4P	46	795	31.53	17	1.85		52	705	27.96	16	2.10		61	592	23.51	15	2.50		67	544	21.60	15	2.60		75	483	19.18	14	2.80		84	432	17.15	14	3.00		93	389	15.42	14	3.20		108	337	13.38	13	3.60		120	302	11.98	13	3.80		39	928	36.83	3.9	0.85	GR77 GRF77	4P	43	843	33.47	8.6	0.90		50	731	29.00	10	1.05		57	636	25.23	10	1.15		62	589	23.37	10	1.30	GR77 GRF77	4P	67	540	21.43	10	1.40		77	474	18.80	10	1.55		81	449	17.82	9.5	1.65		92	393	15.60	9.1	1.75		102	354	14.05	8.9	1.90		117	311	12.33	8.6	2.10		132	274	10.88	8.3	2.30		149	243	9.64	8.1	2.40		168	216	8.59	7.9	2.70		186	195	7.74	7.7	2.90		212	171	6.79	7.4	3.20		240	151	5.99	7.1	3.30		271	134	5.31	6.9	3.60		72	501	19.89	7.6	1.10	GR67 GRF67	4P	80	452	17.95	7.4	1.20		91	398	15.79	7.2	1.30		97	376	14.91	7.1	1.35		113	320	12.70	6.9	1.50		125	291	11.54	6.7	1.60		144	252	10.00	6.5	1.75		166	219	8.70	6.3	1.90		185	196	7.79	6.1	1.80		196	185	7.36	6.0	1.85		230	158	6.27	5.8	1.95		253	144	5.70	5.6	2.00		292	124	4.93	5.4	2.20		336	108	4.29	5.2	2.30		77	469	18.60	3.3	0.90	GR57 GRF57	4P	86	423	16.79	3.6	1.00		97	372	14.77	3.6	1.10		103	352	13.95	3.6	1.15		121	299	11.88	3.5	1.25		133	272	10.79	3.5	1.35		154	236	9.35	3.4	1.45		159	228	9.06	3.4	1.55		181	201	7.97	3.3	1.65		191	190	7.53	3.3	1.75		225	162	6.41	3.2	1.95		247	147	5.82	3.1	2.00		285	127	5.05	3.0	2.20		328	111	4.39	2.9	2.40		142	256	10.15	1.9	0.85	GR47 GRF47	4P	159	229	9.07	2.2	0.90		180	202	8.01	2.5	0.95															5.5kW														1.3	42093	1146	128	0.85	GR177R107 GRF177R107	4P								1.4	37282	1015	128	1.00									1.6	33572	914	128	1.10									1.8	29789	811	128	1.20									2.0	26960	734	128	1.35									2.2	24353	663	128	1.50									2.6	20643	562	128	1.75									2.9	18329	499	128	2.00									3.4	15721	428	128	2.30									3.8	14105	384	128	2.60									4.1	12746	347	128	2.85																																																							
51	706	28.00	16	2.00			42	871	34.55	17	1.60			GR87 GRF87	4P	46	795	31.53	17			1.85		52	705	27.96	16	2.10		61	592	23.51	15	2.50		67	544	21.60	15	2.60		75	483	19.18	14	2.80		84	432	17.15	14	3.00		93	389	15.42	14	3.20		108	337	13.38	13	3.60		120	302	11.98	13	3.80		39	928	36.83	3.9	0.85	GR77 GRF77	4P	43	843			33.47	8.6	0.90		50	731	29.00	10	1.05		57	636	25.23	10	1.15		62	589	23.37	10	1.30	GR77 GRF77	4P			67	540	21.43	10	1.40		77	474	18.80	10	1.55		81	449	17.82	9.5	1.65		92	393	15.60	9.1	1.75		102	354	14.05	8.9	1.90		117	311	12.33	8.6	2.10		132	274	10.88	8.3	2.30		149	243	9.64	8.1	2.40		168	216	8.59	7.9	2.70		186	195	7.74	7.7	2.90		212	171	6.79	7.4	3.20		240	151	5.99	7.1	3.30		271	134	5.31	6.9	3.60		72	501	19.89	7.6	1.10			GR67 GRF67	4P	80	452	17.95	7.4	1.20		91	398	15.79	7.2	1.30		97	376	14.91	7.1	1.35		113	320	12.70	6.9	1.50		125	291	11.54	6.7	1.60		144	252	10.00	6.5	1.75		166	219	8.70	6.3	1.90		185	196	7.79	6.1	1.80		196	185	7.36	6.0	1.85		230	158	6.27	5.8	1.95		253	144	5.70	5.6	2.00		292	124	4.93	5.4	2.20		336	108	4.29	5.2	2.30		77	469	18.60			3.3	0.90	GR57 GRF57	4P	86	423	16.79	3.6	1.00		97	372	14.77	3.6	1.10		103	352	13.95	3.6	1.15		121	299	11.88	3.5	1.25		133	272	10.79	3.5	1.35		154	236	9.35	3.4	1.45		159	228	9.06	3.4	1.55		181	201	7.97	3.3	1.65		191	190	7.53	3.3	1.75		225	162	6.41	3.2	1.95		247	147	5.82	3.1	2.00		285	127	5.05	3.0	2.20		328	111	4.39	2.9	2.40		142			256	10.15	1.9	0.85	GR47 GRF47	4P	159	229	9.07	2.2	0.90		180	202	8.01	2.5	0.95															5.5kW																1.3	42093	1146	128	0.85	GR177R107 GRF177R107	4P								1.4	37282	1015	128	1.00									1.6	33572	914	128	1.10									1.8	29789	811	128	1.20									2.0	26960	734	128	1.35									2.2	24353	663	128	1.50									2.6	20643	562	128	1.75									2.9	18329	499	128	2.00									3.4	15721	428	128	2.30									3.8	14105	384	128	2.60									4.1	12746	347	128	2.85																																															
42	871	34.55	17	1.60	GR87 GRF87	4P	46	795	31.53	17	1.85						52	705	27.96			16	2.10		61	592	23.51	15	2.50		67	544	21.60	15	2.60		75	483	19.18	14	2.80		84	432	17.15	14	3.00		93	389	15.42	14	3.20		108	337	13.38	13	3.60		120	302	11.98	13	3.80		39	928	36.83	3.9	0.85	GR77 GRF77	4P	43	843	33.47			8.6	0.90				50	731	29.00	10	1.05		57	636	25.23	10	1.15		62	589	23.37	10	1.30	GR77 GRF77	4P	67					540	21.43	10	1.40		77	474	18.80	10	1.55		81	449	17.82	9.5	1.65		92	393	15.60	9.1	1.75		102	354	14.05	8.9	1.90		117	311	12.33	8.6	2.10		132	274	10.88	8.3	2.30		149	243	9.64	8.1	2.40		168	216	8.59	7.9	2.70		186	195	7.74	7.7	2.90		212	171	6.79	7.4	3.20		240	151	5.99	7.1	3.30		271	134	5.31	6.9	3.60		72	501	19.89	7.6	1.10	GR67 GRF67					4P	80	452	17.95	7.4	1.20		91	398	15.79	7.2	1.30		97	376	14.91	7.1	1.35		113	320	12.70	6.9	1.50		125	291	11.54	6.7	1.60		144	252	10.00	6.5	1.75		166	219	8.70	6.3	1.90		185	196	7.79	6.1	1.80		196	185	7.36	6.0	1.85		230	158	6.27	5.8	1.95		253	144	5.70	5.6	2.00		292	124	4.93	5.4	2.20		336	108	4.29	5.2	2.30		77	469			18.60	3.3			0.90	GR57 GRF57	4P	86	423	16.79	3.6	1.00		97	372	14.77	3.6	1.10		103	352	13.95	3.6	1.15		121	299	11.88	3.5	1.25		133	272	10.79	3.5	1.35		154	236	9.35	3.4	1.45		159	228	9.06	3.4	1.55		181	201	7.97	3.3	1.65		191	190	7.53	3.3	1.75		225	162	6.41	3.2	1.95		247	147	5.82	3.1	2.00		285	127	5.05	3.0	2.20		328	111	4.39	2.9			2.40		142	256			10.15	1.9	0.85	GR47 GRF47	4P	159	229	9.07	2.2	0.90		180	202	8.01	2.5	0.95															5.5kW																		1.3	42093	1146	128	0.85	GR177R107 GRF177R107	4P								1.4	37282	1015	128	1.00									1.6	33572	914	128	1.10									1.8	29789	811	128	1.20									2.0	26960	734	128	1.35									2.2	24353	663	128	1.50									2.6	20643	562	128	1.75									2.9	18329	499	128	2.00									3.4	15721	428	128	2.30									3.8	14105	384	128	2.60									4.1	12746	347	128	2.85																																								
46	795	31.53	17	1.85				52	705	27.96	16					2.10		61	592			23.51	15	2.50		67	544	21.60	15	2.60		75	483	19.18	14	2.80		84	432	17.15	14	3.00		93	389	15.42	14	3.20		108	337	13.38	13	3.60		120	302	11.98	13	3.80		39	928	36.83	3.9	0.85	GR77 GRF77	4P	43	843	33.47			8.6	0.90				50	731			29.00	10	1.05		57	636	25.23	10	1.15		62	589	23.37	10	1.30	GR77 GRF77	4P	67			540					21.43	10	1.40		77	474	18.80	10	1.55		81	449	17.82	9.5	1.65		92	393	15.60	9.1	1.75		102	354	14.05	8.9	1.90		117	311	12.33	8.6	2.10		132	274	10.88	8.3	2.30		149	243	9.64	8.1	2.40		168	216	8.59	7.9	2.70		186	195	7.74	7.7	2.90		212	171	6.79	7.4	3.20		240	151	5.99	7.1	3.30		271	134	5.31	6.9	3.60		72	501	19.89	7.6	1.10	GR67 GRF67							4P	80	452	17.95	7.4	1.20		91	398	15.79	7.2	1.30		97	376	14.91	7.1	1.35		113	320	12.70	6.9	1.50		125	291	11.54	6.7	1.60		144	252	10.00	6.5	1.75		166	219	8.70	6.3	1.90		185	196	7.79	6.1	1.80		196	185	7.36	6.0	1.85		230	158	6.27	5.8	1.95		253	144	5.70	5.6	2.00		292	124	4.93	5.4	2.20		336	108	4.29	5.2	2.30		77			469	18.60			3.3			0.90	GR57 GRF57	4P	86	423	16.79	3.6	1.00		97	372	14.77	3.6	1.10		103	352	13.95	3.6	1.15		121	299	11.88	3.5	1.25		133	272	10.79	3.5	1.35		154	236	9.35	3.4	1.45		159	228	9.06	3.4	1.55		181	201	7.97	3.3	1.65		191	190	7.53	3.3	1.75		225	162	6.41	3.2	1.95		247	147	5.82	3.1	2.00		285	127	5.05	3.0	2.20		328			111	4.39	2.9	2.40				142	256			10.15	1.9	0.85	GR47 GRF47	4P	159	229	9.07	2.2	0.90		180	202	8.01	2.5	0.95															5.5kW																1.3	42093			1146	128	0.85	GR177R107 GRF177R107	4P								1.4	37282	1015	128	1.00									1.6	33572	914	128	1.10									1.8	29789	811	128	1.20									2.0	26960	734	128	1.35									2.2	24353	663	128	1.50									2.6	20643	562	128	1.75									2.9	18329	499	128	2.00									3.4	15721	428	128	2.30									3.8	14105	384	128	2.60									4.1	12746	347	128	2.85																																			
52	705	27.96	16	2.10				61	592	23.51	15					2.50		67	544			21.60	15	2.60		75	483	19.18	14	2.80		84	432	17.15	14	3.00		93	389	15.42	14	3.20		108	337	13.38	13	3.60		120	302	11.98	13	3.80		39	928	36.83	3.9	0.85	GR77 GRF77	4P	43	843	33.47	8.6			0.90		50			731	29.00	10			1.05		57	636	25.23	10	1.15		62	589	23.37	10	1.30	GR77 GRF77	4P	67	540	21.43	10			1.40								77	474	18.80	10	1.55		81	449	17.82	9.5	1.65		92	393	15.60	9.1	1.75		102	354	14.05	8.9	1.90		117	311	12.33	8.6	2.10		132	274	10.88	8.3	2.30		149	243	9.64	8.1	2.40		168	216	8.59	7.9	2.70		186	195	7.74	7.7	2.90		212	171	6.79	7.4	3.20		240	151	5.99	7.1	3.30		271	134	5.31	6.9	3.60		72	501	19.89	7.6	1.10	GR67 GRF67	4P	80	452									17.95	7.4	1.20		91	398	15.79	7.2	1.30		97	376	14.91	7.1	1.35		113	320	12.70	6.9	1.50		125	291	11.54	6.7	1.60		144	252	10.00	6.5	1.75		166	219	8.70	6.3	1.90		185	196	7.79	6.1	1.80		196	185	7.36	6.0	1.85		230	158	6.27	5.8	1.95		253	144	5.70	5.6	2.00		292	124	4.93	5.4	2.20		336	108	4.29	5.2	2.30		77	469	18.60			3.3	0.90			GR57 GRF57			4P			86	423	16.79	3.6	1.00		97	372	14.77	3.6	1.10		103	352	13.95	3.6	1.15		121	299	11.88	3.5	1.25		133	272	10.79	3.5	1.35		154	236	9.35	3.4	1.45		159	228	9.06	3.4	1.55		181	201	7.97	3.3	1.65		191	190	7.53	3.3	1.75		225	162	6.41	3.2	1.95		247	147	5.82	3.1	2.00		285	127	5.05	3.0	2.20		328	111	4.39	2.9	2.40		142			256	10.15	1.9			0.85	GR47 GRF47	4P			159	229	9.07	2.2	0.90		180	202	8.01	2.5	0.95															5.5kW																1.3	42093			1146	128	0.85			GR177R107 GRF177R107	4P								1.4	37282	1015	128	1.00									1.6	33572	914	128	1.10									1.8	29789	811	128	1.20									2.0	26960	734	128	1.35									2.2	24353	663	128	1.50									2.6	20643	562	128	1.75									2.9	18329	499	128	2.00									3.4	15721	428	128	2.30									3.8	14105	384	128	2.60									4.1	12746	347	128	2.85																																	
61	592	23.51	15	2.50				67	544	21.60	15					2.60		75	483			19.18	14	2.80		84	432	17.15	14	3.00		93	389	15.42	14	3.20		108	337	13.38	13	3.60		120	302	11.98	13	3.80		39	928	36.83	3.9	0.85	GR77 GRF77	4P	43	843	33.47	8.6			0.90		50	731			29.00	10	1.05				57	636	25.23	10	1.15		62	589	23.37	10	1.30	GR77 GRF77	4P	67	540	21.43	10			1.40		77	474			18.80			10					1.55		81	449	17.82	9.5	1.65		92	393	15.60	9.1	1.75		102	354	14.05	8.9	1.90		117	311	12.33	8.6	2.10		132	274	10.88	8.3	2.30		149	243	9.64	8.1	2.40		168	216	8.59	7.9	2.70		186	195	7.74	7.7	2.90		212	171	6.79	7.4	3.20		240	151	5.99	7.1	3.30		271	134	5.31	6.9	3.60		72	501	19.89	7.6	1.10	GR67 GRF67	4P	80	452			17.95	7.4									1.20		91	398	15.79	7.2	1.30		97	376	14.91	7.1	1.35		113	320	12.70	6.9	1.50		125	291	11.54	6.7	1.60		144	252	10.00	6.5	1.75		166	219	8.70	6.3	1.90		185	196	7.79	6.1	1.80		196	185	7.36	6.0	1.85		230	158	6.27	5.8	1.95		253	144	5.70	5.6	2.00		292	124	4.93	5.4	2.20		336	108	4.29	5.2	2.30		77	469	18.60	3.3	0.90			GR57 GRF57	4P									86	423	16.79	3.6	1.00		97	372	14.77	3.6	1.10		103	352	13.95	3.6	1.15		121	299	11.88	3.5	1.25		133	272	10.79	3.5	1.35		154	236	9.35	3.4	1.45		159	228	9.06	3.4	1.55		181	201	7.97	3.3	1.65		191	190	7.53	3.3	1.75		225	162	6.41	3.2	1.95		247	147	5.82	3.1	2.00		285	127	5.05	3.0	2.20		328	111	4.39	2.9	2.40		142	256	10.15	1.9	0.85	GR47 GRF47			4P					159	229	9.07	2.2	0.90		180	202	8.01	2.5	0.95															5.5kW																1.3	42093			1146	128	0.85					GR177R107 GRF177R107	4P								1.4	37282	1015	128	1.00									1.6	33572	914	128	1.10									1.8	29789	811	128	1.20									2.0	26960	734	128	1.35									2.2	24353	663	128	1.50									2.6	20643	562	128	1.75									2.9	18329	499	128	2.00									3.4	15721	428	128	2.30									3.8	14105	384	128	2.60									4.1	12746	347	128	2.85																															
67	544	21.60	15	2.60				75	483	19.18	14					2.80		84	432			17.15	14	3.00		93	389	15.42	14	3.20		108	337	13.38	13	3.60		120	302	11.98	13	3.80		39	928	36.83	3.9	0.85	GR77 GRF77	4P	43	843	33.47	8.6			0.90		50	731			29.00	10	1.05				57	636	25.23	10	1.15		62	589	23.37	10	1.30	GR77 GRF77	4P	67	540	21.43	10			1.40		77	474			18.80	10	1.55				81			449					17.82	9.5	1.65		92	393	15.60	9.1	1.75		102	354	14.05	8.9	1.90		117	311	12.33	8.6	2.10		132	274	10.88	8.3	2.30		149	243	9.64	8.1	2.40		168	216	8.59	7.9	2.70		186	195	7.74	7.7	2.90		212	171	6.79	7.4	3.20		240	151	5.99	7.1	3.30		271	134	5.31	6.9	3.60		72	501	19.89	7.6	1.10	GR67 GRF67	4P	80	452			17.95	7.4			1.20										91	398	15.79	7.2	1.30		97	376	14.91	7.1	1.35		113	320	12.70	6.9	1.50		125	291	11.54	6.7	1.60		144	252	10.00	6.5	1.75		166	219	8.70	6.3	1.90		185	196	7.79	6.1	1.80		196	185	7.36	6.0	1.85		230	158	6.27	5.8	1.95		253	144	5.70	5.6	2.00		292	124	4.93	5.4	2.20		336	108	4.29	5.2	2.30		77	469	18.60	3.3	0.90	GR57 GRF57	4P													86	423	16.79	3.6	1.00		97	372	14.77	3.6	1.10		103	352	13.95	3.6	1.15		121	299	11.88	3.5	1.25		133	272	10.79	3.5	1.35		154	236	9.35	3.4	1.45		159	228	9.06	3.4	1.55		181	201	7.97	3.3	1.65		191	190	7.53	3.3	1.75		225	162	6.41	3.2	1.95		247	147	5.82	3.1	2.00		285	127	5.05	3.0	2.20		328	111	4.39	2.9	2.40		142	256	10.15	1.9	0.85		GR47 GRF47	4P						159	229	9.07	2.2	0.90		180	202	8.01	2.5	0.95															5.5kW																1.3	42093			1146	128	0.85							GR177R107 GRF177R107	4P								1.4	37282	1015	128	1.00									1.6	33572	914	128	1.10									1.8	29789	811	128	1.20									2.0	26960	734	128	1.35									2.2	24353	663	128	1.50									2.6	20643	562	128	1.75									2.9	18329	499	128	2.00									3.4	15721	428	128	2.30									3.8	14105	384	128	2.60									4.1	12746	347	128	2.85																													
75	483	19.18	14	2.80				84	432	17.15	14					3.00		93	389			15.42	14	3.20		108	337	13.38	13	3.60		120	302	11.98	13	3.80		39	928	36.83	3.9	0.85	GR77 GRF77	4P	43	843	33.47	8.6			0.90		50	731			29.00	10	1.05				57	636	25.23	10	1.15		62	589	23.37	10	1.30	GR77 GRF77	4P	67	540	21.43	10			1.40		77	474			18.80	10	1.55				81	449	17.82	9.5			1.65								92	393	15.60	9.1	1.75		102	354	14.05	8.9	1.90		117	311	12.33	8.6	2.10		132	274	10.88	8.3	2.30		149	243	9.64	8.1	2.40		168	216	8.59	7.9	2.70		186	195	7.74	7.7	2.90		212	171	6.79	7.4	3.20		240	151	5.99	7.1	3.30		271	134	5.31	6.9	3.60		72	501	19.89	7.6	1.10	GR67 GRF67	4P	80	452			17.95	7.4			1.20				91	398									15.79	7.2	1.30		97	376	14.91	7.1	1.35		113	320	12.70	6.9	1.50		125	291	11.54	6.7	1.60		144	252	10.00	6.5	1.75		166	219	8.70	6.3	1.90		185	196	7.79	6.1	1.80		196	185	7.36	6.0	1.85		230	158	6.27	5.8	1.95		253	144	5.70	5.6	2.00		292	124	4.93	5.4	2.20		336	108	4.29	5.2	2.30		77	469	18.60	3.3	0.90	GR57 GRF57	4P															86	423	16.79	3.6	1.00		97	372	14.77	3.6	1.10		103	352	13.95	3.6	1.15		121	299	11.88	3.5	1.25		133	272	10.79	3.5	1.35		154	236	9.35	3.4	1.45		159	228	9.06	3.4	1.55		181	201	7.97	3.3	1.65		191	190	7.53	3.3	1.75		225	162	6.41	3.2	1.95		247	147	5.82	3.1	2.00		285	127	5.05	3.0	2.20		328	111	4.39	2.9	2.40		142	256	10.15	1.9	0.85							GR47 GRF47	4P	159	229	9.07	2.2	0.90		180	202	8.01	2.5	0.95															5.5kW																1.3	42093			1146	128	0.85									GR177R107 GRF177R107	4P								1.4	37282	1015	128	1.00									1.6	33572	914	128	1.10									1.8	29789	811	128	1.20									2.0	26960	734	128	1.35									2.2	24353	663	128	1.50									2.6	20643	562	128	1.75									2.9	18329	499	128	2.00									3.4	15721	428	128	2.30									3.8	14105	384	128	2.60									4.1	12746	347	128	2.85																											
84	432	17.15	14	3.00				93	389	15.42	14					3.20		108	337			13.38	13	3.60		120	302	11.98	13	3.80		39	928	36.83	3.9	0.85	GR77 GRF77	4P	43	843	33.47	8.6			0.90		50	731			29.00	10	1.05				57	636	25.23	10	1.15		62	589	23.37	10	1.30	GR77 GRF77	4P	67	540	21.43	10			1.40		77	474			18.80	10	1.55				81	449	17.82	9.5			1.65		92	393			15.60			9.1					1.75		102	354	14.05	8.9	1.90		117	311	12.33	8.6	2.10		132	274	10.88	8.3	2.30		149	243	9.64	8.1	2.40		168	216	8.59	7.9	2.70		186	195	7.74	7.7	2.90		212	171	6.79	7.4	3.20		240	151	5.99	7.1	3.30		271	134	5.31	6.9	3.60		72	501	19.89	7.6	1.10	GR67 GRF67	4P	80	452			17.95	7.4			1.20				91	398			15.79	7.2									1.30		97	376	14.91	7.1	1.35		113	320	12.70	6.9	1.50		125	291	11.54	6.7	1.60		144	252	10.00	6.5	1.75		166	219	8.70	6.3	1.90		185	196	7.79	6.1	1.80		196	185	7.36	6.0	1.85		230	158	6.27	5.8	1.95		253	144	5.70	5.6	2.00		292	124	4.93	5.4	2.20		336	108	4.29	5.2	2.30		77	469	18.60	3.3	0.90	GR57 GRF57	4P																	86	423	16.79	3.6	1.00		97	372	14.77	3.6	1.10		103	352	13.95	3.6	1.15		121	299	11.88	3.5	1.25		133	272	10.79	3.5	1.35		154	236	9.35	3.4	1.45		159	228	9.06	3.4	1.55		181	201	7.97	3.3	1.65		191	190	7.53	3.3	1.75		225	162	6.41	3.2	1.95		247	147	5.82	3.1	2.00		285	127	5.05	3.0	2.20		328	111	4.39	2.9	2.40		142	256	10.15	1.9	0.85					GR47 GRF47	4P			159	229	9.07	2.2	0.90		180	202	8.01	2.5	0.95															5.5kW																1.3	42093			1146	128	0.85											GR177R107 GRF177R107	4P								1.4	37282	1015	128	1.00									1.6	33572	914	128	1.10									1.8	29789	811	128	1.20									2.0	26960	734	128	1.35									2.2	24353	663	128	1.50									2.6	20643	562	128	1.75									2.9	18329	499	128	2.00									3.4	15721	428	128	2.30									3.8	14105	384	128	2.60									4.1	12746	347	128	2.85																									
93	389	15.42	14	3.20				108	337	13.38	13	3.60				120	302	11.98	13	3.80		39	928	36.83	3.9	0.85	GR77 GRF77	4P	43	843	33.47	8.6	0.90		50	731			29.00	10	1.05				57	636	25.23	10			1.15		62	589	23.37	10	1.30	GR77 GRF77	4P	67	540	21.43	10	1.40		77	474			18.80	10	1.55				81	449	17.82	9.5			1.65		92	393			15.60	9.1	1.75				102	354	14.05	8.9			1.90								117	311	12.33	8.6	2.10		132	274	10.88	8.3	2.30		149	243	9.64	8.1	2.40		168	216	8.59	7.9	2.70		186	195	7.74	7.7	2.90		212	171	6.79	7.4	3.20		240	151	5.99	7.1	3.30		271	134	5.31	6.9	3.60		72	501	19.89	7.6	1.10	GR67 GRF67	4P	80	452	17.95	7.4	1.20				91	398			15.79	7.2			1.30				97	376			14.91	7.1									1.35		113	320	12.70	6.9	1.50		125	291	11.54	6.7	1.60		144	252	10.00	6.5	1.75		166	219	8.70	6.3	1.90		185	196	7.79	6.1	1.80		196	185	7.36	6.0	1.85		230	158	6.27	5.8	1.95		253	144	5.70	5.6	2.00		292	124	4.93	5.4	2.20		336	108	4.29	5.2	2.30		77	469	18.60	3.3	0.90	GR57 GRF57	4P	86	423	16.79	3.6																			1.00		97	372	14.77	3.6	1.10		103	352	13.95	3.6	1.15		121	299	11.88	3.5	1.25		133	272	10.79	3.5	1.35		154	236	9.35	3.4	1.45		159	228	9.06	3.4	1.55		181	201	7.97	3.3	1.65		191	190	7.53	3.3	1.75		225	162	6.41	3.2	1.95		247	147	5.82	3.1	2.00		285	127	5.05	3.0	2.20		328	111	4.39	2.9	2.40		142	256	10.15	1.9	0.85	GR47 GRF47	4P	159	229	9.07			2.2					0.90		180	202	8.01	2.5	0.95															5.5kW																		1.3	42093	1146	128			0.85	GR177R107 GRF177R107	4P																				1.4	37282	1015	128	1.00									1.6	33572	914	128	1.10									1.8	29789	811	128	1.20									2.0	26960	734	128	1.35									2.2	24353	663	128	1.50									2.6	20643	562	128	1.75									2.9	18329	499	128	2.00									3.4	15721	428	128	2.30									3.8	14105	384	128	2.60									4.1	12746	347	128	2.85																									
108	337	13.38	13	3.60				120	302	11.98	13	3.80		39	928	36.83	3.9	0.85	GR77 GRF77	4P	43	843	33.47	8.6	0.90				50	731	29.00	10	1.05		57	636			25.23	10	1.15				62	589	23.37	10	1.30	GR77 GRF77	4P	67	540	21.43	10	1.40				77	474	18.80	10	1.55		81	449			17.82	9.5	1.65				92	393	15.60	9.1			1.75		102	354			14.05	8.9	1.90				117	311	12.33	8.6			2.10								132	274	10.88	8.3	2.30		149	243	9.64	8.1	2.40		168	216	8.59	7.9	2.70		186	195	7.74	7.7	2.90		212	171	6.79	7.4	3.20		240	151	5.99	7.1	3.30		271	134	5.31	6.9	3.60		72	501	19.89	7.6	1.10	GR67 GRF67	4P	80	452	17.95	7.4			1.20		91	398	15.79	7.2			1.30				97	376			14.91	7.1			1.35				113	320									12.70	6.9	1.50		125	291	11.54	6.7	1.60		144	252	10.00	6.5	1.75		166	219	8.70	6.3	1.90		185	196	7.79	6.1	1.80		196	185	7.36	6.0	1.85		230	158	6.27	5.8	1.95		253	144	5.70	5.6	2.00		292	124	4.93	5.4	2.20		336	108	4.29	5.2	2.30		77	469	18.60	3.3	0.90	GR57 GRF57	4P	86	423			16.79	3.6	1.00																				97	372	14.77	3.6	1.10		103	352	13.95	3.6	1.15		121	299	11.88	3.5	1.25		133	272	10.79	3.5	1.35		154	236	9.35	3.4	1.45		159	228	9.06	3.4	1.55		181	201	7.97	3.3	1.65		191	190	7.53	3.3	1.75		225	162	6.41	3.2	1.95		247	147	5.82	3.1	2.00		285	127	5.05	3.0	2.20		328	111	4.39	2.9	2.40		142	256	10.15	1.9	0.85	GR47 GRF47	4P			159	229	9.07	2.2	0.90						180	202	8.01	2.5	0.95															5.5kW																1.3			42093	1146	128	0.85	GR177R107 GRF177R107			4P																						1.4	37282	1015	128	1.00									1.6	33572	914	128	1.10									1.8	29789	811	128	1.20									2.0	26960	734	128	1.35									2.2	24353	663	128	1.50									2.6	20643	562	128	1.75									2.9	18329	499	128	2.00									3.4	15721	428	128	2.30									3.8	14105	384	128	2.60									4.1	12746	347	128	2.85																									
120	302	11.98	13	3.80		39	928	36.83	3.9	0.85	GR77 GRF77	4P	43	843	33.47	8.6	0.90				50	731	29.00	10	1.05				57	636	25.23	10	1.15		62	589			23.37	10	1.30	GR77 GRF77	4P	67	540	21.43	10	1.40				77	474	18.80	10	1.55				81	449	17.82	9.5	1.65		92	393			15.60	9.1	1.75				102	354	14.05	8.9			1.90		117	311			12.33	8.6	2.10				132	274	10.88	8.3			2.30								149	243	9.64	8.1	2.40		168	216	8.59	7.9	2.70		186	195	7.74	7.7	2.90		212	171	6.79	7.4	3.20		240	151	5.99	7.1	3.30		271	134	5.31	6.9	3.60		72	501	19.89	7.6	1.10	GR67 GRF67	4P	80	452	17.95	7.4			1.20		91	398			15.79	7.2	1.30		97	376			14.91	7.1			1.35				113	320			12.70	6.9			1.50										125	291	11.54	6.7	1.60		144	252	10.00	6.5	1.75		166	219	8.70	6.3	1.90		185	196	7.79	6.1	1.80		196	185	7.36	6.0	1.85		230	158	6.27	5.8	1.95		253	144	5.70	5.6	2.00		292	124	4.93	5.4	2.20		336	108	4.29	5.2	2.30		77	469	18.60	3.3	0.90	GR57 GRF57	4P	86	423			16.79	3.6			1.00		97	372																			14.77	3.6	1.10		103	352	13.95	3.6	1.15		121	299	11.88	3.5	1.25		133	272	10.79	3.5	1.35		154	236	9.35	3.4	1.45		159	228	9.06	3.4	1.55		181	201	7.97	3.3	1.65		191	190	7.53	3.3	1.75		225	162	6.41	3.2	1.95		247	147	5.82	3.1	2.00		285	127	5.05	3.0	2.20		328	111	4.39	2.9	2.40		142	256	10.15	1.9	0.85	GR47 GRF47	4P					159	229	9.07	2.2	0.90				180	202	8.01	2.5	0.95															5.5kW																1.3	42093	1146			128	0.85	GR177R107 GRF177R107	4P																										1.4	37282	1015	128	1.00									1.6	33572	914	128	1.10									1.8	29789	811	128	1.20									2.0	26960	734	128	1.35									2.2	24353	663	128	1.50									2.6	20643	562	128	1.75									2.9	18329	499	128	2.00									3.4	15721	428	128	2.30									3.8	14105	384	128	2.60									4.1	12746	347	128	2.85																									
39	928	36.83	3.9	0.85	GR77 GRF77	4P	43	843	33.47	8.6			0.90		50	731	29.00	10			1.05		57	636	25.23	10			1.15		62	589	23.37	10	1.30	GR77 GRF77	4P	67	540	21.43	10			1.40		77	474	18.80	10			1.55		81	449	17.82	9.5			1.65		92	393	15.60	9.1	1.75				102	354	14.05	8.9			1.90		117	311			12.33	8.6	2.10				132	274	10.88	8.3			2.30		149	243			9.64			8.1					2.40		168	216	8.59	7.9	2.70		186	195	7.74	7.7	2.90		212	171	6.79	7.4	3.20		240	151	5.99	7.1	3.30		271	134	5.31	6.9	3.60		72	501	19.89	7.6	1.10	GR67 GRF67	4P	80	452			17.95	7.4	1.20				91	398	15.79	7.2			1.30		97	376	14.91	7.1			1.35				113	320			12.70	6.9			1.50				125	291									11.54	6.7	1.60		144	252	10.00	6.5	1.75		166	219	8.70	6.3	1.90		185	196	7.79	6.1	1.80		196	185	7.36	6.0	1.85		230	158	6.27	5.8	1.95		253	144	5.70	5.6	2.00		292	124	4.93	5.4	2.20		336	108	4.29	5.2	2.30		77	469	18.60	3.3	0.90	GR57 GRF57	4P			86	423			16.79	3.6			1.00		97	372																			14.77	3.6	1.10		103	352	13.95	3.6	1.15		121	299	11.88	3.5	1.25		133	272	10.79	3.5	1.35		154	236	9.35	3.4	1.45		159	228	9.06	3.4	1.55		181	201	7.97	3.3	1.65		191	190	7.53	3.3	1.75		225	162	6.41	3.2	1.95		247	147	5.82	3.1	2.00		285	127	5.05	3.0	2.20		328	111	4.39	2.9	2.40		142	256	10.15	1.9	0.85							GR47 GRF47	4P	159	229	9.07	2.2	0.90		180	202	8.01	2.5	0.95															5.5kW																1.3	42093	1146			128	0.85																					GR177R107 GRF177R107	4P								1.4	37282	1015	128	1.00									1.6	33572	914	128	1.10									1.8	29789	811	128	1.20									2.0	26960	734	128	1.35									2.2	24353	663	128	1.50									2.6	20643	562	128	1.75									2.9	18329	499	128	2.00									3.4	15721	428	128	2.30									3.8	14105	384	128	2.60									4.1	12746	347	128	2.85																							
43	843	33.47	8.6	0.90				50	731	29.00			10	1.05		57	636	25.23			10	1.15		62	589	23.37	10	1.30	GR77 GRF77	4P	67	540	21.43	10	1.40				77	474	18.80			10	1.55		81	449	17.82			9.5	1.65		92	393	15.60			9.1	1.75		102	354	14.05	8.9	1.90				117	311	12.33			8.6	2.10		132			274	10.88	8.3	2.30				149	243	9.64			8.1	2.40		168			216			8.59					7.9	2.70		186	195	7.74	7.7	2.90		212	171	6.79	7.4	3.20		240	151	5.99	7.1	3.30		271	134	5.31	6.9	3.60		72	501	19.89	7.6	1.10	GR67 GRF67	4P	80	452	17.95			7.4	1.20				91	398	15.79			7.2	1.30		97			376	14.91	7.1	1.35		113			320	12.70			6.9	1.50				125			291	11.54			6.7	1.60										144	252	10.00	6.5	1.75		166	219	8.70	6.3	1.90		185	196	7.79	6.1	1.80		196	185	7.36	6.0	1.85		230	158	6.27	5.8	1.95		253	144	5.70	5.6	2.00		292	124	4.93	5.4	2.20		336	108	4.29	5.2	2.30		77	469	18.60	3.3	0.90	GR57 GRF57	4P	86					423	16.79			3.6	1.00				97	372	14.77																			3.6	1.10		103	352	13.95	3.6	1.15		121	299	11.88	3.5	1.25		133	272	10.79	3.5	1.35		154	236	9.35	3.4	1.45		159	228	9.06	3.4	1.55		181	201	7.97	3.3	1.65		191	190	7.53	3.3	1.75		225	162	6.41	3.2	1.95		247	147	5.82	3.1	2.00		285	127	5.05	3.0	2.20		328	111	4.39	2.9	2.40		142	256	10.15	1.9	0.85	GR47 GRF47					4P	159			229	9.07	2.2	0.90		180	202	8.01	2.5	0.95															5.5kW																1.3	42093	1146	128			0.85	GR177R107 GRF177R107																							4P								1.4	37282	1015	128	1.00									1.6	33572	914	128	1.10									1.8	29789	811	128	1.20									2.0	26960	734	128	1.35									2.2	24353	663	128	1.50									2.6	20643	562	128	1.75									2.9	18329	499	128	2.00									3.4	15721	428	128	2.30									3.8	14105	384	128	2.60									4.1	12746	347	128	2.85																						
50	731	29.00	10	1.05				57	636	25.23			10	1.15		62	589	23.37	10	1.30	GR77 GRF77	4P	67	540	21.43	10	1.40				77	474	18.80	10	1.55				81	449	17.82			9.5	1.65		92	393	15.60			9.1	1.75		102	354	14.05			8.9	1.90		117	311	12.33	8.6	2.10				132	274	10.88			8.3	2.30		149			243	9.64	8.1	2.40				168	216	8.59			7.9	2.70		186			195			7.74					7.7	2.90		212	171	6.79	7.4	3.20		240	151	5.99	7.1	3.30		271	134	5.31	6.9	3.60		72	501	19.89	7.6	1.10	GR67 GRF67	4P	80	452	17.95	7.4			1.20		91			398	15.79			7.2	1.30		97			376	14.91	7.1	1.35				113	320	12.70	6.9	1.50				125			291	11.54			6.7	1.60				144			252	10.00									6.5	1.75		166	219	8.70	6.3	1.90		185	196	7.79	6.1	1.80		196	185	7.36	6.0	1.85		230	158	6.27	5.8	1.95		253	144	5.70	5.6	2.00		292	124	4.93	5.4	2.20		336	108	4.29	5.2	2.30		77	469	18.60	3.3	0.90	GR57 GRF57	4P	86	423			16.79					3.6	1.00				97			372	14.77	3.6	1.10																				103	352	13.95	3.6	1.15		121	299	11.88	3.5	1.25		133	272	10.79	3.5	1.35		154	236	9.35	3.4	1.45		159	228	9.06	3.4	1.55		181	201	7.97	3.3	1.65		191	190	7.53	3.3	1.75		225	162	6.41	3.2	1.95		247	147	5.82	3.1	2.00		285	127	5.05	3.0	2.20		328	111	4.39	2.9	2.40		142	256	10.15	1.9	0.85	GR47 GRF47	4P				159	229		9.07			2.2	0.90		180	202	8.01	2.5	0.95															5.5kW														1.3	42093	1146	128	0.85	GR177R107 GRF177R107	4P																																		1.4	37282	1015	128	1.00									1.6	33572	914	128	1.10									1.8	29789	811	128	1.20									2.0	26960	734	128	1.35									2.2	24353	663	128	1.50									2.6	20643	562	128	1.75									2.9	18329	499	128	2.00									3.4	15721	428	128	2.30									3.8	14105	384	128	2.60									4.1	12746	347	128	2.85																								
57	636	25.23	10	1.15				62	589	23.37	10	1.30	GR77 GRF77	4P	67	540	21.43	10	1.40				77	474	18.80	10	1.55				81	449	17.82	9.5	1.65				92	393	15.60			9.1	1.75		102	354	14.05			8.9	1.90		117	311	12.33			8.6	2.10		132	274	10.88	8.3	2.30				149	243	9.64			8.1	2.40		168			216	8.59	7.9	2.70				186	195	7.74			7.7	2.90		212			171			6.79			7.4	3.20		240	151	5.99	7.1	3.30		271	134	5.31	6.9	3.60		72	501	19.89	7.6	1.10	GR67 GRF67	4P	80	452	17.95	7.4	1.20				91	398	15.79	7.2			1.30		97			376	14.91			7.1	1.35		113			320	12.70	6.9	1.50				125	291	11.54	6.7	1.60				144			252	10.00			6.5	1.75				166			219	8.70									6.3	1.90		185	196	7.79	6.1	1.80		196	185	7.36	6.0	1.85		230	158	6.27	5.8	1.95		253	144	5.70	5.6	2.00		292	124	4.93	5.4	2.20		336	108	4.29	5.2	2.30		77	469	18.60	3.3	0.90	GR57 GRF57	4P	86	423	16.79	3.6			1.00				97					372	14.77			3.6	1.10				103	352	13.95							3.6	1.15												121	299	11.88	3.5	1.25		133	272	10.79	3.5	1.35		154	236	9.35	3.4	1.45		159	228	9.06	3.4	1.55		181	201	7.97	3.3	1.65		191	190	7.53	3.3	1.75		225	162	6.41	3.2	1.95		247	147	5.82	3.1	2.00		285	127	5.05	3.0	2.20		328	111	4.39	2.9	2.40		142	256	10.15	1.9	0.85	GR47 GRF47	4P	159	229	9.07	2.2				0.90		180	202		8.01			2.5	0.95															5.5kW														1.3	42093	1146	128	0.85	GR177R107 GRF177R107	4P										1.4																									37282	1015	128	1.00									1.6	33572	914	128	1.10									1.8	29789	811	128	1.20									2.0	26960	734	128	1.35									2.2	24353	663	128	1.50									2.6	20643	562	128	1.75									2.9	18329	499	128	2.00									3.4	15721	428	128	2.30									3.8	14105	384	128	2.60									4.1	12746	347	128	2.85																														
62	589	23.37	10	1.30	GR77 GRF77	4P	67	540	21.43	10	1.40				77	474	18.80	10	1.55				81	449	17.82	9.5	1.65				92	393	15.60	9.1	1.75				102	354	14.05			8.9	1.90		117	311	12.33			8.6	2.10		132	274	10.88			8.3	2.30		149	243	9.64	8.1	2.40				168	216	8.59			7.9	2.70		186			195	7.74	7.7	2.90				212	171	6.79			7.4	3.20		240			151			5.99	7.1	3.30		271	134	5.31	6.9	3.60		72	501	19.89	7.6	1.10	GR67 GRF67	4P	80	452	17.95	7.4	1.20				91	398	15.79	7.2	1.30				97	376	14.91	7.1			1.35		113			320	12.70			6.9	1.50		125			291	11.54	6.7	1.60				144	252	10.00	6.5	1.75				166			219	8.70			6.3	1.90				185			196	7.79									6.1	1.80		196	185	7.36	6.0	1.85		230	158	6.27	5.8	1.95		253	144	5.70	5.6	2.00		292	124	4.93	5.4	2.20		336	108	4.29	5.2	2.30		77	469	18.60	3.3	0.90	GR57 GRF57	4P	86	423	16.79	3.6			1.00		97	372			14.77	3.6			1.10						103			352	13.95			3.6	1.15		121							299	11.88			3.5	1.25								133	272	10.79	3.5	1.35		154	236	9.35	3.4	1.45		159	228	9.06	3.4	1.55		181	201	7.97	3.3	1.65		191	190	7.53	3.3	1.75		225	162	6.41	3.2	1.95		247	147	5.82	3.1	2.00		285	127	5.05	3.0	2.20		328	111	4.39	2.9	2.40		142	256	10.15	1.9	0.85	GR47 GRF47	4P	159	229	9.07	2.2			0.90		180	202				8.01	2.5	0.95																5.5kW														1.3	42093	1146	128	0.85	GR177R107 GRF177R107	4P										1.4			37282	1015	128	1.00																															1.6	33572	914	128	1.10									1.8	29789	811	128	1.20									2.0	26960	734	128	1.35									2.2	24353	663	128	1.50									2.6	20643	562	128	1.75									2.9	18329	499	128	2.00									3.4	15721	428	128	2.30									3.8	14105	384	128	2.60									4.1	12746	347	128	2.85																																				
67	540	21.43	10	1.40				77	474	18.80	10	1.55				81	449	17.82	9.5	1.65				92	393	15.60	9.1	1.75				102	354	14.05	8.9			1.90		117	311			12.33	8.6	2.10		132	274			10.88	8.3	2.30		149	243			9.64	8.1	2.40		168	216	8.59	7.9			2.70		186	195			7.74	7.7	2.90				212	171	6.79	7.4			3.20		240	151			5.99	7.1	3.30				271	134	5.31	6.9	3.60		72	501	19.89	7.6	1.10	GR67 GRF67	4P	80	452	17.95	7.4	1.20				91	398	15.79	7.2	1.30				97	376	14.91	7.1	1.35				113	320	12.70			6.9	1.50				125	291			11.54	6.7	1.60				144	252	10.00	6.5			1.75		166	219	8.70	6.3			1.90				185	196			7.79	6.1			1.80				196	185									7.36	6.0	1.85		230	158	6.27	5.8	1.95		253	144	5.70	5.6	2.00		292	124	4.93	5.4	2.20		336	108	4.29	5.2	2.30		77	469	18.60	3.3	0.90	GR57 GRF57	4P	86	423	16.79			3.6	1.00		97			372	14.77	3.6	1.10				103			352					13.95	3.6			1.15				121	299	11.88	3.5							1.25				133	272		10.79	3.5				1.35		154	236	9.35	3.4	1.45		159	228	9.06	3.4	1.55		181	201	7.97	3.3	1.65		191	190	7.53	3.3	1.75		225	162	6.41	3.2	1.95		247	147	5.82	3.1	2.00		285	127	5.05	3.0	2.20		328	111	4.39	2.9	2.40		142	256	10.15	1.9	0.85	GR47 GRF47	4P	159	229	9.07			2.2	0.90		180			202	8.01	2.5	0.95																	5.5kW														1.3	42093	1146	128	0.85	GR177R107 GRF177R107	4P												1.4	37282	1015	128			1.00																													1.6	33572	914	128	1.10									1.8	29789	811	128	1.20									2.0	26960	734	128	1.35									2.2	24353	663	128	1.50									2.6	20643	562	128	1.75									2.9	18329	499	128	2.00									3.4	15721	428	128	2.30									3.8	14105	384	128	2.60									4.1	12746	347	128	2.85																																									
77	474	18.80	10	1.55				81	449	17.82	9.5	1.65				92	393	15.60	9.1	1.75				102	354	14.05	8.9	1.90				117	311	12.33	8.6			2.10		132	274			10.88	8.3	2.30		149	243			9.64	8.1	2.40		168	216			8.59	7.9	2.70		186	195	7.74	7.7			2.90		212	171			6.79	7.4	3.20				240	151	5.99	7.1			3.30		271	134			5.31	6.9	3.60		72	501	19.89	7.6	1.10	GR67 GRF67	4P	80	452	17.95	7.4	1.20				91	398	15.79	7.2	1.30				97	376	14.91	7.1	1.35				113	320	12.70	6.9	1.50				125	291	11.54			6.7	1.60				144	252			10.00	6.5	1.75				166	219	8.70	6.3			1.90		185	196	7.79	6.1			1.80				196	185			7.36	6.0			1.85				230	158									6.27	5.8	1.95		253	144	5.70	5.6	2.00		292	124	4.93	5.4	2.20		336	108	4.29	5.2	2.30		77	469	18.60	3.3	0.90	GR57 GRF57	4P	86	423	16.79	3.6			1.00		97			372	14.77	3.6	1.10				103	352	13.95			3.6	1.15								121	299			11.88	3.5			1.25		133	272							10.79	3.5			1.35			154	236		9.35	3.4	1.45		159	228	9.06	3.4	1.55		181	201	7.97	3.3	1.65		191	190	7.53	3.3	1.75		225	162	6.41	3.2	1.95		247	147	5.82	3.1	2.00		285	127	5.05	3.0	2.20		328	111	4.39	2.9	2.40		142	256	10.15	1.9	0.85	GR47 GRF47	4P	159	229	9.07	2.2			0.90		180			202	8.01	2.5	0.95																	5.5kW														1.3	42093	1146	128	0.85	GR177R107 GRF177R107	4P												1.4	37282	1015	128			1.00															1.6				33572	914	128	1.10																				1.8	29789	811	128	1.20									2.0	26960	734	128	1.35									2.2	24353	663	128	1.50									2.6	20643	562	128	1.75									2.9	18329	499	128	2.00									3.4	15721	428	128	2.30									3.8	14105	384	128	2.60									4.1	12746	347	128	2.85																																															
81	449	17.82	9.5	1.65				92	393	15.60	9.1	1.75				102	354	14.05	8.9	1.90				117	311	12.33	8.6	2.10				132	274	10.88	8.3			2.30		149	243			9.64	8.1	2.40		168	216			8.59	7.9	2.70		186	195			7.74	7.7	2.90		212	171	6.79	7.4			3.20		240	151			5.99	7.1	3.30				271	134	5.31	6.9			3.60		72	501	19.89	7.6	1.10	GR67 GRF67	4P	80	452	17.95	7.4	1.20				91	398	15.79	7.2	1.30				97	376	14.91	7.1	1.35				113	320	12.70	6.9	1.50				125	291	11.54	6.7	1.60				144	252	10.00			6.5	1.75				166	219			8.70	6.3	1.90				185	196	7.79	6.1			1.80		196	185	7.36	6.0			1.85				230	158			6.27	5.8			1.95				253	144			5.70	5.6					2.00		292	124	4.93	5.4	2.20		336	108	4.29	5.2	2.30		77	469	18.60	3.3	0.90	GR57 GRF57	4P	86	423	16.79	3.6	1.00				97	372	14.77	3.6			1.10		103			352	13.95	3.6	1.15				121	299	11.88			3.5	1.25								133	272			10.79	3.5			1.35		154	236							9.35	3.4			1.45		159	228	9.06	3.4	1.55		181	201	7.97	3.3	1.65		191	190	7.53	3.3	1.75		225	162	6.41	3.2	1.95		247	147	5.82	3.1	2.00		285	127	5.05	3.0	2.20		328	111	4.39	2.9	2.40		142	256	10.15	1.9	0.85	GR47 GRF47	4P	159	229	9.07	2.2	0.90				180	202	8.01	2.5			0.95																	5.5kW														1.3	42093	1146	128	0.85	GR177R107 GRF177R107	4P										1.4	37282	1015			128	1.00													1.6			33572	914	128	1.10																									1.8	29789	811	128	1.20									2.0	26960	734	128	1.35									2.2	24353	663	128	1.50									2.6	20643	562	128	1.75									2.9	18329	499	128	2.00									3.4	15721	428	128	2.30									3.8	14105	384	128	2.60									4.1	12746	347	128	2.85																																																							
92	393	15.60	9.1	1.75				102	354	14.05	8.9	1.90				117	311	12.33	8.6	2.10				132	274	10.88	8.3	2.30				149	243	9.64	8.1			2.40		168	216			8.59	7.9	2.70		186	195			7.74	7.7	2.90		212	171			6.79	7.4	3.20		240	151	5.99	7.1			3.30		271	134			5.31	6.9	3.60				72	501	19.89	7.6	1.10	GR67 GRF67	4P	80	452	17.95	7.4	1.20				91	398	15.79	7.2	1.30				97	376	14.91	7.1	1.35				113	320	12.70	6.9	1.50				125	291	11.54	6.7	1.60				144	252	10.00	6.5	1.75				166	219	8.70			6.3	1.90				185	196			7.79	6.1	1.80				196	185	7.36	6.0			1.85		230	158	6.27	5.8			1.95				253	144			5.70	5.6			2.00				292	124			4.93	5.4	2.20				336	108	4.29	5.2	2.30		77	469	18.60	3.3	0.90	GR57 GRF57	4P	86	423	16.79	3.6	1.00				97	372	14.77	3.6	1.10				103	352	13.95	3.6			1.15		121			299	11.88	3.5	1.25				133	272	10.79			3.5	1.35								154	236			9.35	3.4			1.45		159	228							9.06	3.4	1.55		181	201	7.97	3.3	1.65		191	190	7.53	3.3	1.75		225	162	6.41	3.2	1.95		247	147	5.82	3.1	2.00		285	127	5.05	3.0	2.20		328	111	4.39	2.9	2.40		142	256	10.15	1.9	0.85	GR47 GRF47	4P	159	229	9.07	2.2	0.90				180	202	8.01	2.5	0.95																			5.5kW														1.3	42093	1146	128	0.85	GR177R107 GRF177R107	4P										1.4	37282	1015	128	1.00															1.6	33572	914			128	1.10																		1.8	29789	811	128	1.20																2.0	26960	734	128	1.35									2.2	24353	663	128	1.50									2.6	20643	562	128	1.75									2.9	18329	499	128	2.00									3.4	15721	428	128	2.30									3.8	14105	384	128	2.60									4.1	12746	347	128	2.85																																																															
102	354	14.05	8.9	1.90				117	311	12.33	8.6	2.10				132	274	10.88	8.3	2.30				149	243	9.64	8.1	2.40				168	216	8.59	7.9			2.70		186	195			7.74	7.7	2.90		212	171			6.79	7.4	3.20		240	151			5.99	7.1	3.30		271	134	5.31	6.9			3.60		72	501			19.89	7.6	1.10	GR67 GRF67	4P	80	452	17.95	7.4	1.20				91	398	15.79	7.2	1.30				97	376	14.91	7.1	1.35				113	320	12.70	6.9	1.50				125	291	11.54	6.7	1.60				144	252	10.00	6.5	1.75				166	219	8.70	6.3	1.90				185	196	7.79			6.1	1.80				196	185			7.36	6.0	1.85				230	158	6.27	5.8			1.95		253	144	5.70	5.6			2.00				292	124			4.93	5.4			2.20				336	108		4.29	5.2	2.30		77	469		18.60	3.3	0.90	GR57 GRF57	4P	86	423	16.79	3.6	1.00				97	372	14.77	3.6	1.10				103	352	13.95	3.6	1.15				121	299	11.88	3.5			1.25		133			272	10.79	3.5	1.35				154	236	9.35			3.4	1.45								159	228			9.06	3.4			1.55		181	201					7.97	3.3	1.65		191	190	7.53	3.3	1.75		225	162	6.41	3.2	1.95		247	147	5.82	3.1	2.00		285	127	5.05	3.0	2.20		328	111	4.39	2.9	2.40		142	256	10.15	1.9	0.85	GR47 GRF47	4P	159	229	9.07	2.2	0.90				180	202	8.01	2.5	0.95																			5.5kW														1.3	42093	1146	128	0.85	GR177R107 GRF177R107	4P										1.4	37282	1015	128	1.00													1.6	33572			914	128	1.10															1.8	29789	811	128					1.20												2.0	26960	734						128	1.35									2.2	24353	663	128	1.50									2.6	20643	562	128	1.75									2.9	18329	499	128	2.00									3.4	15721	428	128	2.30									3.8	14105	384	128	2.60									4.1	12746	347	128	2.85																																																																							
117	311	12.33	8.6	2.10				132	274	10.88	8.3	2.30				149	243	9.64	8.1	2.40				168	216	8.59	7.9	2.70				186	195	7.74	7.7			2.90		212	171			6.79	7.4	3.20		240	151			5.99	7.1	3.30		271	134			5.31	6.9	3.60		72	501	19.89	7.6			1.10	GR67 GRF67	4P	80	452	17.95	7.4	1.20				91	398	15.79	7.2	1.30				97	376	14.91	7.1	1.35				113	320	12.70	6.9	1.50				125	291	11.54	6.7	1.60				144	252	10.00	6.5	1.75				166	219	8.70	6.3	1.90				185	196	7.79	6.1	1.80				196	185	7.36			6.0	1.85				230	158			6.27	5.8	1.95				253	144	5.70	5.6			2.00		292	124	4.93	5.4			2.20				336	108			4.29	5.2			2.30				77	469	18.60	3.3	0.90	GR57 GRF57	4P	86	423	16.79	3.6	1.00				97	372	14.77	3.6	1.10				103	352	13.95	3.6	1.15				121	299	11.88	3.5	1.25				133	272	10.79	3.5			1.35		154			236	9.35	3.4	1.45				159	228	9.06			3.4	1.55								181	201			7.97	3.3			1.65		191	190			7.53	3.3	1.75		225	162	6.41	3.2	1.95		247	147	5.82	3.1	2.00		285	127	5.05	3.0	2.20		328	111	4.39	2.9	2.40		142	256	10.15	1.9	0.85	GR47 GRF47	4P	159	229	9.07	2.2	0.90				180	202	8.01	2.5	0.95																			5.5kW														1.3	42093	1146	128	0.85	GR177R107 GRF177R107	4P										1.4	37282	1015	128	1.00													1.6	33572	914	128			1.10													1.8	29789			811	128	1.20																		2.0	26960	734	128	1.35												2.2	24353	663	128	1.50									2.6	20643	562	128	1.75									2.9	18329	499	128	2.00									3.4	15721	428	128	2.30									3.8	14105	384	128	2.60									4.1	12746	347	128	2.85																																																																															
132	274	10.88	8.3	2.30				149	243	9.64	8.1	2.40				168	216	8.59	7.9	2.70				186	195	7.74	7.7	2.90				212	171	6.79	7.4			3.20		240	151			5.99	7.1	3.30		271	134			5.31	6.9	3.60		72	501			19.89	7.6	1.10	GR67 GRF67	4P	80	452	17.95	7.4	1.20				91	398	15.79	7.2	1.30				97	376	14.91	7.1	1.35				113	320	12.70	6.9	1.50				125	291	11.54	6.7	1.60				144	252	10.00	6.5	1.75				166	219	8.70	6.3	1.90				185	196	7.79	6.1	1.80				196	185	7.36	6.0	1.85				230	158	6.27			5.8	1.95				253	144			5.70	5.6	2.00				292	124	4.93	5.4			2.20		336	108	4.29	5.2			2.30				77	469			18.60	3.3			0.90	GR57 GRF57	4P	86	423	16.79	3.6	1.00				97	372	14.77	3.6	1.10				103	352	13.95	3.6	1.15				121	299	11.88	3.5	1.25				133	272	10.79	3.5	1.35				154	236	9.35	3.4			1.45		159			228	9.06	3.4	1.55				181	201	7.97			3.3	1.65								191	190			7.53	3.3			1.75		225	162	6.41	3.2	1.95		247	147	5.82	3.1	2.00		285	127	5.05	3.0	2.20		328	111	4.39	2.9	2.40		142	256	10.15	1.9	0.85	GR47 GRF47	4P	159	229	9.07	2.2	0.90				180	202	8.01	2.5	0.95																			5.5kW														1.3	42093	1146	128	0.85	GR177R107 GRF177R107	4P										1.4	37282	1015	128	1.00													1.6	33572	914	128			1.10											1.8			29789	811	128			1.20													2.0	26960	734					128	1.35										2.2	24353	663	128	1.50												2.6	20643	562	128	1.75									2.9	18329	499	128	2.00									3.4	15721	428	128	2.30									3.8	14105	384	128	2.60									4.1	12746	347	128	2.85																																																																																							
149	243	9.64	8.1	2.40				168	216	8.59	7.9	2.70				186	195	7.74	7.7	2.90				212	171	6.79	7.4	3.20				240	151	5.99	7.1			3.30		271	134			5.31	6.9	3.60		72	501			19.89	7.6	1.10	GR67 GRF67	4P	80	452	17.95	7.4	1.20				91	398	15.79	7.2	1.30				97	376	14.91	7.1	1.35				113	320	12.70	6.9	1.50				125	291	11.54	6.7	1.60				144	252	10.00	6.5	1.75				166	219	8.70	6.3	1.90				185	196	7.79	6.1	1.80				196	185	7.36	6.0	1.85				230	158	6.27	5.8	1.95				253	144	5.70			5.6	2.00				292	124			4.93	5.4	2.20				336	108	4.29	5.2			2.30		77	469	18.60	3.3			0.90	GR57 GRF57			4P	86			423	16.79	3.6	1.00				97	372	14.77	3.6	1.10				103	352	13.95	3.6	1.15				121	299	11.88	3.5	1.25				133	272	10.79	3.5	1.35				154	236	9.35	3.4	1.45				159	228	9.06	3.4			1.55		181			201	7.97	3.3	1.65				191	190	7.53			3.3	1.75								225	162			6.41	3.2	1.95		247	147	5.82	3.1	2.00		285	127	5.05	3.0	2.20		328	111	4.39	2.9	2.40		142	256	10.15	1.9	0.85	GR47 GRF47	4P	159	229	9.07	2.2	0.90				180	202	8.01	2.5	0.95																			5.5kW														1.3	42093	1146	128	0.85	GR177R107 GRF177R107	4P										1.4	37282	1015	128	1.00													1.6	33572	914	128			1.10											1.8	29789	811			128	1.20													2.0			26960	734	128	1.35														2.2	24353	663	128	1.50									2.6				20643	562	128	1.75									2.9	18329	499	128	2.00									3.4	15721	428	128	2.30									3.8	14105	384	128	2.60									4.1	12746	347	128	2.85																																																																																															
168	216	8.59	7.9	2.70				186	195	7.74	7.7	2.90				212	171	6.79	7.4	3.20				240	151	5.99	7.1	3.30				271	134	5.31	6.9			3.60		72	501			19.89	7.6	1.10	GR67 GRF67	4P	80	452	17.95	7.4	1.20				91	398	15.79	7.2	1.30				97	376	14.91	7.1	1.35				113	320	12.70	6.9	1.50				125	291	11.54	6.7	1.60				144	252	10.00	6.5	1.75				166	219	8.70	6.3	1.90				185	196	7.79	6.1	1.80				196	185	7.36	6.0	1.85				230	158	6.27	5.8	1.95				253	144	5.70	5.6	2.00				292	124	4.93			5.4	2.20				336	108			4.29	5.2	2.30				77	469	18.60	3.3			0.90	GR57 GRF57	4P	86	423	16.79			3.6					1.00		97	372	14.77	3.6	1.10				103	352	13.95	3.6	1.15				121	299	11.88	3.5	1.25				133	272	10.79	3.5	1.35				154	236	9.35	3.4	1.45				159	228	9.06	3.4	1.55				181	201	7.97	3.3			1.65		191			190	7.53	3.3	1.75				225	162	6.41			3.2	1.95								247	147	5.82	3.1	2.00		285	127	5.05	3.0	2.20		328	111	4.39	2.9	2.40		142	256	10.15	1.9	0.85	GR47 GRF47	4P	159	229	9.07	2.2	0.90				180	202	8.01	2.5	0.95																			5.5kW														1.3	42093	1146	128	0.85	GR177R107 GRF177R107	4P										1.4	37282	1015	128	1.00													1.6	33572	914	128			1.10											1.8	29789	811			128	1.20													2.0	26960	734			128	1.35													2.2	24353		663	128	1.50									2.6	20643	562	128	1.75												2.9	18329	499	128	2.00									3.4	15721	428	128	2.30									3.8	14105	384	128	2.60									4.1	12746	347	128	2.85																																																																																																							
186	195	7.74	7.7	2.90				212	171	6.79	7.4	3.20				240	151	5.99	7.1	3.30				271	134	5.31	6.9	3.60				72	501	19.89	7.6			1.10	GR67 GRF67	4P	80	452	17.95	7.4	1.20				91	398	15.79	7.2	1.30				97	376	14.91	7.1	1.35				113	320	12.70	6.9	1.50				125	291	11.54	6.7	1.60				144	252	10.00	6.5	1.75				166	219	8.70	6.3	1.90				185	196	7.79	6.1	1.80				196	185	7.36	6.0	1.85				230	158	6.27	5.8	1.95				253	144	5.70	5.6	2.00				292	124	4.93	5.4	2.20				336	108	4.29			5.2	2.30				77	469			18.60	3.3	0.90	GR57 GRF57			4P	86	423	16.79			3.6			1.00		97			372		14.77	3.6		1.10		103	352	13.95	3.6	1.15				121	299	11.88	3.5	1.25				133	272	10.79	3.5	1.35				154	236	9.35	3.4	1.45				159	228	9.06	3.4	1.55				181	201	7.97	3.3	1.65				191	190	7.53	3.3			1.75		225			162	6.41	3.2	1.95				247	147	5.82			3.1	2.00						285	127	5.05	3.0	2.20		328	111	4.39	2.9	2.40		142	256	10.15	1.9	0.85	GR47 GRF47	4P	159	229	9.07	2.2	0.90				180	202	8.01	2.5	0.95																			5.5kW														1.3	42093	1146	128	0.85	GR177R107 GRF177R107	4P										1.4	37282	1015	128	1.00													1.6	33572	914	128			1.10											1.8	29789	811			128	1.20											2.0	26960			734	128	1.35															2.2	24353	663	128			1.50										2.6	20643	562	128	1.75									2.9	18329	499	128		2.00									3.4	15721	428	128	2.30									3.8	14105	384	128	2.60									4.1	12746	347	128	2.85																																																																																																															
212	171	6.79	7.4	3.20				240	151	5.99	7.1	3.30				271	134	5.31	6.9	3.60				72	501	19.89	7.6	1.10			GR67 GRF67	4P	80	452	17.95	7.4	1.20				91	398	15.79	7.2	1.30				97	376	14.91	7.1	1.35				113	320	12.70	6.9	1.50				125	291	11.54	6.7	1.60				144	252	10.00	6.5	1.75				166	219	8.70	6.3	1.90				185	196	7.79	6.1	1.80				196	185	7.36	6.0	1.85				230	158	6.27	5.8	1.95				253	144	5.70	5.6	2.00				292	124	4.93	5.4	2.20				336	108	4.29	5.2	2.30				77	469	18.60			3.3	0.90	GR57 GRF57			4P	86			423	16.79	3.6					1.00		97			372			14.77	3.6	1.10		103	352		13.95	3.6		1.15		121	299	11.88	3.5	1.25				133	272	10.79	3.5	1.35				154	236	9.35	3.4	1.45				159	228	9.06	3.4	1.55				181	201	7.97	3.3	1.65				191	190	7.53	3.3	1.75				225	162	6.41	3.2			1.95		247			147	5.82	3.1	2.00				285	127	5.05			3.0	2.20				328	111	4.39	2.9	2.40		142	256	10.15	1.9	0.85	GR47 GRF47	4P	159	229	9.07	2.2	0.90				180	202	8.01	2.5	0.95																			5.5kW														1.3	42093	1146	128	0.85	GR177R107 GRF177R107	4P										1.4	37282	1015	128	1.00													1.6	33572	914	128			1.10											1.8	29789	811			128	1.20											2.0	26960			734	128	1.35													2.2	24353			663	128	1.50													2.6	20643	562	128	1.75									2.9	18329	499	128	2.00									3.4	15721	428	128	2.30									3.8	14105	384	128	2.60									4.1	12746	347	128	2.85																																																																																																																							
240	151	5.99	7.1	3.30				271	134	5.31	6.9	3.60				72	501	19.89	7.6	1.10			GR67 GRF67	4P	80	452	17.95	7.4	1.20				91	398	15.79	7.2	1.30				97	376	14.91	7.1	1.35				113	320	12.70	6.9	1.50				125	291	11.54	6.7	1.60				144	252	10.00	6.5	1.75				166	219	8.70	6.3	1.90				185	196	7.79	6.1	1.80				196	185	7.36	6.0	1.85				230	158	6.27	5.8	1.95				253	144	5.70	5.6	2.00				292	124	4.93	5.4	2.20				336	108	4.29	5.2	2.30				77	469	18.60	3.3	0.90			GR57 GRF57	4P	86	423			16.79	3.6					1.00				97	372					14.77	3.6	1.10		103	352			13.95	3.6	1.15		121	299		11.88	3.5		1.25		133	272	10.79	3.5	1.35				154	236	9.35	3.4	1.45				159	228	9.06	3.4	1.55				181	201	7.97	3.3	1.65				191	190	7.53	3.3	1.75				225	162	6.41	3.2	1.95				247	147	5.82	3.1			2.00		285			127	5.05	3.0	2.20				328	111	4.39			2.9	2.40		142	256	10.15	1.9	0.85	GR47 GRF47	4P	159	229	9.07	2.2	0.90				180	202	8.01	2.5	0.95																			5.5kW														1.3	42093	1146	128	0.85	GR177R107 GRF177R107	4P										1.4	37282	1015	128	1.00													1.6	33572	914	128			1.10											1.8	29789	811			128	1.20											2.0	26960			734	128	1.35											2.2			24353	663	128	1.50															2.6	20643	562	128	1.75									2.9	18329	499	128	2.00									3.4	15721	428	128	2.30									3.8	14105	384	128	2.60									4.1	12746	347	128	2.85																																																																																																																															
271	134	5.31	6.9	3.60				72	501	19.89	7.6	1.10			GR67 GRF67	4P	80	452	17.95	7.4	1.20				91	398	15.79	7.2	1.30				97	376	14.91	7.1	1.35				113	320	12.70	6.9	1.50				125	291	11.54	6.7	1.60				144	252	10.00	6.5	1.75				166	219	8.70	6.3	1.90				185	196	7.79	6.1	1.80				196	185	7.36	6.0	1.85				230	158	6.27	5.8	1.95				253	144	5.70	5.6	2.00				292	124	4.93	5.4	2.20				336	108	4.29	5.2	2.30				77	469	18.60	3.3	0.90			GR57 GRF57	4P	86	423	16.79	3.6					1.00				97	372					14.77			3.6	1.10			103	352		13.95	3.6	1.15		121	299			11.88	3.5	1.25		133	272		10.79	3.5		1.35		154	236	9.35	3.4	1.45				159	228	9.06	3.4	1.55				181	201	7.97	3.3	1.65				191	190	7.53	3.3	1.75				225	162	6.41	3.2	1.95				247	147	5.82	3.1	2.00				285	127	5.05	3.0			2.20		328			111	4.39	2.9	2.40				142	256	10.15	1.9	0.85	GR47 GRF47	4P	159	229	9.07	2.2	0.90				180	202	8.01	2.5	0.95																			5.5kW														1.3	42093	1146	128	0.85	GR177R107 GRF177R107	4P										1.4	37282	1015	128	1.00													1.6	33572	914	128			1.10											1.8	29789	811			128	1.20											2.0	26960			734	128	1.35											2.2			24353	663	128	1.50													2.6			20643	562	128	1.75									2.9	18329	499	128	2.00									3.4	15721	428	128	2.30									3.8	14105	384	128	2.60									4.1	12746	347	128	2.85																																																																																																																																							
72	501	19.89	7.6	1.10			GR67 GRF67	4P	80	452	17.95	7.4	1.20				91	398	15.79	7.2	1.30				97	376	14.91	7.1	1.35				113	320	12.70	6.9	1.50				125	291	11.54	6.7	1.60				144	252	10.00	6.5	1.75				166	219	8.70	6.3	1.90				185	196	7.79	6.1	1.80				196	185	7.36	6.0	1.85				230	158	6.27	5.8	1.95				253	144	5.70	5.6	2.00				292	124	4.93	5.4	2.20				336	108	4.29	5.2	2.30				77	469	18.60	3.3	0.90			GR57 GRF57	4P	86	423	16.79	3.6					1.00		97	372					14.77	3.6			1.10						103	352	13.95	3.6	1.15			121	299		11.88	3.5	1.25		133	272			10.79	3.5	1.35		154	236		9.35	3.4		1.45		159	228	9.06	3.4	1.55				181	201	7.97	3.3	1.65				191	190	7.53	3.3	1.75				225	162	6.41	3.2	1.95				247	147	5.82	3.1	2.00				285	127	5.05	3.0	2.20				328	111	4.39	2.9			2.40		142			256	10.15	1.9	0.85	GR47 GRF47	4P	159	229	9.07	2.2	0.90				180	202	8.01	2.5	0.95																			5.5kW														1.3	42093	1146	128	0.85	GR177R107 GRF177R107	4P										1.4	37282	1015	128	1.00													1.6	33572	914	128			1.10											1.8	29789	811			128	1.20											2.0	26960			734	128	1.35											2.2			24353	663	128	1.50													2.6	20643	562	128			1.75									2.9	18329	499	128	2.00									3.4	15721	428	128	2.30									3.8	14105	384	128	2.60									4.1	12746	347	128	2.85																																																																																																																																															
80	452	17.95	7.4	1.20		91			398	15.79	7.2	1.30		97			376	14.91	7.1	1.35		113			320	12.70	6.9	1.50		125			291	11.54	6.7	1.60		144			252	10.00	6.5	1.75		166			219	8.70	6.3	1.90		185			196	7.79	6.1	1.80		196			185	7.36	6.0	1.85		230			158	6.27	5.8	1.95		253			144	5.70	5.6	2.00		292			124	4.93	5.4	2.20		336			108	4.29	5.2	2.30		77			469	18.60	3.3	0.90	GR57 GRF57	4P			86	423	16.79	3.6	1.00						97	372	14.77					3.6	1.10		103					352	13.95			3.6	1.15			121		299	11.88	3.5	1.25		133		272	10.79		3.5	1.35		154	236	9.35			3.4	1.45		159	228	9.06		3.4	1.55			181	201	7.97	3.3	1.65		191			190	7.53	3.3	1.75		225			162	6.41	3.2	1.95		247			147	5.82	3.1	2.00		285			127	5.05	3.0	2.20		328			111	4.39	2.9	2.40		142			256	10.15	1.9	0.85			GR47 GRF47	4P	159	229	9.07	2.2	0.90		180			202	8.01	2.5	0.95																	5.5kW														1.3	42093	1146	128	0.85	GR177R107 GRF177R107	4P								1.4	37282			1015	128	1.00											1.6			33572	914	128	1.10													1.8	29789	811	128	1.20													2.0	26960	734	128	1.35													2.2	24353	663	128			1.50											2.6	20643	562			128	1.75											2.9	18329	499	128	2.00									3.4	15721	428	128	2.30									3.8	14105	384	128	2.60									4.1	12746	347	128	2.85																																																																																																																																																										
91	398	15.79	7.2	1.30		97			376	14.91	7.1	1.35		113			320	12.70	6.9	1.50		125			291	11.54	6.7	1.60		144			252	10.00	6.5	1.75		166			219	8.70	6.3	1.90		185			196	7.79	6.1	1.80		196			185	7.36	6.0	1.85		230			158	6.27	5.8	1.95		253			144	5.70	5.6	2.00		292			124	4.93	5.4	2.20		336			108	4.29	5.2	2.30		77			469	18.60	3.3	0.90	GR57 GRF57	4P			86	423	16.79	3.6					1.00		97	372	14.77					3.6	1.10		103					352	13.95	3.6	1.15						121	299	11.88	3.5	1.25			133		272	10.79	3.5	1.35		154		236	9.35		3.4	1.45		159	228	9.06			3.4	1.55		181	201	7.97		3.3	1.65			191	190	7.53	3.3	1.75		225			162	6.41	3.2	1.95		247			147	5.82	3.1	2.00		285			127	5.05	3.0	2.20		328			111	4.39	2.9	2.40		142			256	10.15	1.9	0.85	GR47 GRF47	4P			159	229	9.07	2.2	0.90				180	202	8.01	2.5	0.95																	5.5kW														1.3	42093	1146	128	0.85	GR177R107 GRF177R107	4P										1.4	37282	1015	128	1.00											1.6			33572	914	128	1.10													1.8	29789	811	128	1.20													2.0	26960	734	128	1.35													2.2	24353	663	128			1.50											2.6	20643	562			128	1.75											2.9	18329	499	128	2.00									3.4	15721	428	128	2.30									3.8	14105	384	128	2.60									4.1	12746	347	128	2.85																																																																																																																																																																		
97	376	14.91	7.1	1.35		113			320	12.70	6.9	1.50		125			291	11.54	6.7	1.60		144			252	10.00	6.5	1.75		166			219	8.70	6.3	1.90		185			196	7.79	6.1	1.80		196			185	7.36	6.0	1.85		230			158	6.27	5.8	1.95		253			144	5.70	5.6	2.00		292			124	4.93	5.4	2.20		336			108	4.29	5.2	2.30		77			469	18.60	3.3	0.90	GR57 GRF57	4P			86	423	16.79	3.6					1.00		97	372					14.77	3.6	1.10		103					352	13.95	3.6	1.15						121	299	11.88	3.5	1.25				133	272	10.79	3.5	1.35			154		236	9.35	3.4	1.45		159		228	9.06		3.4	1.55		181	201	7.97			3.3	1.65		191	190	7.53		3.3	1.75			225	162	6.41	3.2	1.95		247			147	5.82	3.1	2.00		285			127	5.05	3.0	2.20		328			111	4.39	2.9	2.40		142			256	10.15	1.9	0.85	GR47 GRF47	4P			159	229	9.07	2.2			0.90		180	202	8.01	2.5	0.95																	5.5kW														1.3	42093	1146	128	0.85	GR177R107 GRF177R107	4P										1.4	37282	1015	128	1.00											1.6			33572	914	128	1.10													1.8	29789	811	128	1.20													2.0	26960	734	128	1.35													2.2	24353	663	128			1.50											2.6	20643	562			128	1.75											2.9	18329	499	128	2.00									3.4	15721	428	128	2.30									3.8	14105	384	128	2.60									4.1	12746	347	128	2.85																																																																																																																																																																										
113	320	12.70	6.9	1.50		125			291	11.54	6.7	1.60		144			252	10.00	6.5	1.75		166			219	8.70	6.3	1.90		185			196	7.79	6.1	1.80		196			185	7.36	6.0	1.85		230			158	6.27	5.8	1.95		253			144	5.70	5.6	2.00		292			124	4.93	5.4	2.20		336			108	4.29	5.2	2.30		77			469	18.60	3.3	0.90	GR57 GRF57	4P			86	423	16.79	3.6					1.00		97	372					14.77	3.6	1.10						103	352	13.95	3.6	1.15						121	299	11.88	3.5	1.25				133	272	10.79	3.5	1.35				154	236	9.35	3.4	1.45			159		228	9.06	3.4	1.55		181		201	7.97		3.3	1.65		191	190	7.53			3.3	1.75		225	162	6.41		3.2	1.95			247	147	5.82	3.1	2.00		285			127	5.05	3.0	2.20		328			111	4.39	2.9	2.40		142			256	10.15	1.9	0.85	GR47 GRF47	4P			159	229	9.07	2.2			0.90		180	202	8.01	2.5			0.95																	5.5kW														1.3	42093	1146	128	0.85	GR177R107 GRF177R107	4P										1.4	37282	1015			128	1.00											1.6	33572	914	128	1.10													1.8	29789	811	128			1.20											2.0	26960	734			128	1.35											2.2	24353			663	128	1.50											2.6			20643	562	128	1.75											2.9	18329	499	128	2.00									3.4	15721	428	128	2.30									3.8	14105	384	128	2.60									4.1	12746	347	128	2.85																																																																																																																																																																																
125	291	11.54	6.7	1.60		144			252	10.00	6.5	1.75		166			219	8.70	6.3	1.90		185			196	7.79	6.1	1.80		196			185	7.36	6.0	1.85		230			158	6.27	5.8	1.95		253			144	5.70	5.6	2.00		292			124	4.93	5.4	2.20		336			108	4.29	5.2	2.30		77			469	18.60	3.3	0.90	GR57 GRF57	4P			86	423	16.79	3.6					1.00		97	372					14.77	3.6	1.10						103	352	13.95	3.6					1.15		121	299	11.88	3.5	1.25				133	272	10.79	3.5	1.35				154	236	9.35	3.4	1.45				159	228	9.06	3.4	1.55			181		201	7.97	3.3	1.65		191		190	7.53		3.3	1.75		225	162	6.41			3.2	1.95		247	147	5.82		3.1	2.00			285	127	5.05	3.0	2.20		328			111	4.39	2.9	2.40		142			256	10.15	1.9	0.85	GR47 GRF47	4P			159	229	9.07	2.2			0.90		180	202	8.01	2.5			0.95																	5.5kW														1.3	42093	1146	128	0.85	GR177R107 GRF177R107	4P										1.4	37282	1015			128	1.00											1.6	33572			914	128	1.10											1.8	29789	811	128			1.20											2.0	26960	734			128	1.35											2.2	24353			663	128	1.50											2.6			20643	562	128	1.75											2.9	18329	499	128	2.00									3.4	15721	428	128	2.30									3.8	14105	384	128	2.60									4.1	12746	347	128	2.85																																																																																																																																																																																								
144	252	10.00	6.5	1.75		166			219	8.70	6.3	1.90		185			196	7.79	6.1	1.80		196			185	7.36	6.0	1.85		230			158	6.27	5.8	1.95		253			144	5.70	5.6	2.00		292			124	4.93	5.4	2.20		336			108	4.29	5.2	2.30		77			469	18.60	3.3	0.90	GR57 GRF57	4P			86	423	16.79	3.6					1.00		97	372					14.77	3.6	1.10						103	352	13.95	3.6					1.15		121	299			11.88	3.5	1.25		133	272	10.79	3.5	1.35				154	236	9.35	3.4	1.45				159	228	9.06	3.4	1.55				181	201	7.97	3.3	1.65			191		190	7.53	3.3	1.75		225		162	6.41		3.2	1.95		247	147	5.82			3.1	2.00		285	127	5.05		3.0	2.20			328	111	4.39	2.9	2.40		142			256	10.15	1.9	0.85	GR47 GRF47	4P			159	229	9.07	2.2			0.90		180	202	8.01	2.5			0.95																	5.5kW														1.3	42093	1146	128	0.85	GR177R107 GRF177R107	4P										1.4	37282	1015	128	1.00													1.6	33572			914	128	1.10											1.8	29789	811	128			1.20											2.0	26960	734			128	1.35											2.2	24353			663	128	1.50											2.6			20643	562	128	1.75											2.9	18329	499	128	2.00									3.4	15721	428	128	2.30									3.8	14105	384	128	2.60									4.1	12746	347	128	2.85																																																																																																																																																																																																
166	219	8.70	6.3	1.90		185			196	7.79	6.1	1.80		196			185	7.36	6.0	1.85		230			158	6.27	5.8	1.95		253			144	5.70	5.6	2.00		292			124	4.93	5.4	2.20		336			108	4.29	5.2	2.30		77			469	18.60	3.3	0.90	GR57 GRF57	4P			86	423	16.79	3.6					1.00		97	372					14.77	3.6	1.10						103	352	13.95	3.6					1.15		121	299			11.88	3.5	1.25		133	272			10.79	3.5	1.35		154	236	9.35	3.4	1.45				159	228	9.06	3.4	1.55				181	201	7.97	3.3	1.65				191	190	7.53	3.3	1.75			225		162	6.41	3.2	1.95		247		147	5.82		3.1	2.00		285	127	5.05			3.0	2.20		328	111	4.39		2.9	2.40			142	256	10.15	1.9	0.85	GR47 GRF47	4P			159	229	9.07	2.2			0.90		180	202	8.01	2.5			0.95																	5.5kW														1.3	42093	1146	128	0.85	GR177R107 GRF177R107	4P										1.4	37282	1015	128	1.00													1.6	33572			914	128	1.10											1.8			29789	811	128	1.20											2.0	26960	734			128	1.35											2.2	24353			663	128	1.50											2.6			20643	562	128	1.75											2.9	18329	499	128	2.00									3.4	15721	428	128	2.30									3.8	14105	384	128	2.60									4.1	12746	347	128	2.85																																																																																																																																																																																																								
185	196	7.79	6.1	1.80		196			185	7.36	6.0	1.85		230			158	6.27	5.8	1.95		253			144	5.70	5.6	2.00		292			124	4.93	5.4	2.20		336			108	4.29	5.2	2.30		77			469	18.60	3.3	0.90	GR57 GRF57	4P			86	423	16.79	3.6					1.00		97	372					14.77	3.6	1.10						103	352	13.95	3.6					1.15		121	299			11.88	3.5	1.25		133	272			10.79	3.5	1.35		154	236			9.35	3.4	1.45		159	228	9.06	3.4	1.55				181	201	7.97	3.3	1.65				191	190	7.53	3.3	1.75				225	162	6.41	3.2	1.95			247		147	5.82	3.1	2.00		285		127	5.05		3.0	2.20		328	111	4.39			2.9	2.40		142	256	10.15		1.9	0.85		GR47 GRF47	4P	159	229	9.07	2.2			0.90		180	202	8.01	2.5			0.95																	5.5kW														1.3	42093	1146	128	0.85	GR177R107 GRF177R107	4P										1.4	37282	1015	128	1.00													1.6	33572	914	128			1.10											1.8			29789	811	128	1.20											2.0	26960	734			128	1.35											2.2	24353			663	128	1.50											2.6			20643	562	128	1.75											2.9	18329	499	128	2.00									3.4	15721	428	128	2.30									3.8	14105	384	128	2.60									4.1	12746	347	128	2.85																																																																																																																																																																																																																
196	185	7.36	6.0	1.85		230			158	6.27	5.8	1.95		253			144	5.70	5.6	2.00		292			124	4.93	5.4	2.20		336			108	4.29	5.2	2.30		77			469	18.60	3.3	0.90	GR57 GRF57	4P			86	423	16.79	3.6					1.00		97	372					14.77	3.6	1.10						103	352	13.95	3.6					1.15		121	299			11.88	3.5	1.25		133	272			10.79	3.5	1.35		154	236			9.35	3.4	1.45		159	228			9.06	3.4	1.55		181	201	7.97	3.3	1.65				191	190	7.53	3.3	1.75				225	162	6.41	3.2	1.95				247	147	5.82	3.1	2.00			285		127	5.05	3.0	2.20		328		111	4.39		2.9	2.40		142	256	10.15			1.9	0.85	GR47 GRF47	4P	159	229	9.07	2.2	0.90				180	202	8.01	2.5			0.95																	5.5kW														1.3	42093	1146	128	0.85	GR177R107 GRF177R107	4P										1.4	37282	1015	128	1.00													1.6	33572	914	128			1.10											1.8			29789	811	128	1.20													2.0	26960	734	128	1.35											2.2	24353			663	128	1.50											2.6			20643	562	128	1.75											2.9	18329	499	128	2.00									3.4	15721	428	128	2.30									3.8	14105	384	128	2.60									4.1	12746	347	128	2.85																																																																																																																																																																																																																								
230	158	6.27	5.8	1.95		253			144	5.70	5.6	2.00		292			124	4.93	5.4	2.20		336			108	4.29	5.2	2.30		77			469	18.60	3.3	0.90	GR57 GRF57	4P			86	423	16.79	3.6					1.00		97	372					14.77	3.6	1.10						103	352	13.95	3.6					1.15		121	299			11.88	3.5	1.25		133	272			10.79	3.5	1.35		154	236			9.35	3.4	1.45		159	228			9.06	3.4	1.55		181	201			7.97	3.3	1.65		191	190	7.53	3.3	1.75				225	162	6.41	3.2	1.95				247	147	5.82	3.1	2.00				285	127	5.05	3.0	2.20			328		111	4.39	2.9	2.40		142		256	10.15		1.9	0.85	GR47 GRF47	4P	159	229	9.07	2.2	0.90				180	202	8.01	2.5	0.95																			5.5kW														1.3	42093	1146	128	0.85	GR177R107 GRF177R107	4P										1.4	37282	1015	128	1.00													1.6	33572	914	128			1.10											1.8	29789	811			128	1.20													2.0	26960	734	128	1.35											2.2	24353			663	128	1.50											2.6			20643	562	128	1.75											2.9	18329	499	128	2.00									3.4	15721	428	128	2.30									3.8	14105	384	128	2.60									4.1	12746	347	128	2.85																																																																																																																																																																																																																																
253	144	5.70	5.6	2.00		292			124	4.93	5.4	2.20		336			108	4.29	5.2	2.30		77			469	18.60	3.3	0.90	GR57 GRF57	4P			86	423	16.79	3.6					1.00		97	372					14.77	3.6	1.10						103	352	13.95	3.6					1.15		121	299			11.88	3.5	1.25		133	272			10.79	3.5	1.35		154	236			9.35	3.4	1.45		159	228			9.06	3.4	1.55		181	201			7.97	3.3	1.65		191	190			7.53	3.3	1.75		225	162	6.41	3.2	1.95				247	147	5.82	3.1	2.00				285	127	5.05	3.0	2.20				328	111	4.39	2.9	2.40			142		256	10.15	1.9	0.85	GR47 GRF47	4P	159	229	9.07	2.2	0.90				180	202	8.01	2.5	0.95																			5.5kW														1.3	42093	1146	128	0.85	GR177R107 GRF177R107	4P										1.4	37282	1015	128	1.00													1.6	33572	914	128			1.10											1.8	29789	811			128	1.20													2.0	26960	734	128	1.35													2.2	24353	663	128	1.50											2.6			20643	562	128	1.75											2.9	18329	499	128	2.00									3.4	15721	428	128	2.30									3.8	14105	384	128	2.60									4.1	12746	347	128	2.85																																																																																																																																																																																																																																								
292	124	4.93	5.4	2.20		336			108	4.29	5.2	2.30		77			469	18.60	3.3	0.90	GR57 GRF57	4P			86	423	16.79	3.6					1.00		97	372					14.77	3.6	1.10						103	352	13.95	3.6					1.15		121	299			11.88	3.5	1.25		133	272			10.79	3.5	1.35		154	236			9.35	3.4	1.45		159	228			9.06	3.4	1.55		181	201			7.97	3.3	1.65		191	190			7.53	3.3	1.75		225	162			6.41	3.2	1.95		247	147	5.82	3.1	2.00				285	127	5.05	3.0	2.20				328	111	4.39	2.9	2.40				142	256	10.15	1.9	0.85	GR47 GRF47	4P	159	229	9.07	2.2	0.90				180	202	8.01	2.5	0.95																			5.5kW														1.3	42093	1146	128	0.85	GR177R107 GRF177R107	4P										1.4	37282	1015	128	1.00													1.6	33572	914	128			1.10											1.8	29789	811			128	1.20											2.0	26960			734	128	1.35													2.2	24353	663	128	1.50											2.6			20643	562	128	1.75											2.9	18329	499	128	2.00									3.4	15721	428	128	2.30									3.8	14105	384	128	2.60									4.1	12746	347	128	2.85																																																																																																																																																																																																																																																
336	108	4.29	5.2	2.30		77			469	18.60	3.3	0.90	GR57 GRF57	4P			86	423	16.79	3.6					1.00		97	372					14.77	3.6	1.10						103	352	13.95	3.6					1.15		121	299			11.88	3.5	1.25		133	272			10.79	3.5	1.35		154	236			9.35	3.4	1.45		159	228			9.06	3.4	1.55		181	201			7.97	3.3	1.65		191	190			7.53	3.3	1.75		225	162			6.41	3.2	1.95		247	147			5.82	3.1	2.00		285	127	5.05	3.0	2.20				328	111	4.39	2.9	2.40				142	256	10.15	1.9	0.85	GR47 GRF47	4P	159	229	9.07	2.2	0.90				180	202	8.01	2.5	0.95																			5.5kW														1.3	42093	1146	128	0.85	GR177R107 GRF177R107	4P										1.4	37282	1015	128	1.00													1.6	33572	914	128			1.10											1.8	29789	811			128	1.20											2.0	26960			734	128	1.35													2.2	24353	663	128	1.50													2.6	20643	562	128	1.75											2.9	18329	499	128	2.00									3.4	15721	428	128	2.30									3.8	14105	384	128	2.60									4.1	12746	347	128	2.85																																																																																																																																																																																																																																																								
77	469	18.60	3.3	0.90	GR57 GRF57	4P			86	423	16.79	3.6					1.00		97	372					14.77	3.6	1.10						103	352	13.95	3.6					1.15		121	299			11.88	3.5	1.25		133	272			10.79	3.5	1.35		154	236			9.35	3.4	1.45		159	228			9.06	3.4	1.55		181	201			7.97	3.3	1.65		191	190			7.53	3.3	1.75		225	162			6.41	3.2	1.95		247	147			5.82	3.1	2.00		285	127			5.05	3.0	2.20		328	111	4.39	2.9	2.40				142	256	10.15	1.9	0.85	GR47 GRF47	4P	159	229	9.07	2.2	0.90				180	202	8.01	2.5	0.95																			5.5kW														1.3	42093	1146	128	0.85	GR177R107 GRF177R107	4P										1.4	37282	1015	128	1.00													1.6	33572	914	128			1.10											1.8	29789	811			128	1.20											2.0	26960			734	128	1.35											2.2			24353	663	128	1.50													2.6	20643	562	128			1.75									2.9	18329	499	128	2.00									3.4	15721	428	128	2.30									3.8	14105	384	128	2.60									4.1	12746	347	128	2.85																																																																																																																																																																																																																																																																
86	423	16.79	3.6	1.00						97	372	14.77					3.6	1.10		103					352	13.95	3.6	1.15						121	299	11.88			3.5	1.25		133	272	10.79			3.5	1.35		154	236	9.35			3.4	1.45		159	228	9.06			3.4	1.55		181	201	7.97			3.3	1.65		191	190	7.53			3.3	1.75		225	162	6.41			3.2	1.95		247	147	5.82			3.1	2.00		285	127	5.05			3.0	2.20		328	111	4.39			2.9	2.40		142	256	10.15	1.9	0.85	GR47 GRF47	4P	159	229	9.07	2.2	0.90		180			202	8.01	2.5	0.95																	5.5kW														1.3	42093	1146	128	0.85	GR177R107 GRF177R107	4P								1.4	37282			1015	128	1.00											1.6			33572	914	128	1.10													1.8	29789	811	128	1.20													2.0	26960	734	128	1.35													2.2	24353	663	128			1.50											2.6			20643	562	128	1.75											2.9	18329	499	128	2.00									3.4	15721	428	128	2.30									3.8	14105	384	128	2.60									4.1	12746	347	128	2.85																																																																																																																																																																																																																																																																											
97	372	14.77	3.6	1.10						103	352	13.95					3.6	1.15		121					299	11.88	3.5	1.25				133	272	10.79	3.5	1.35				154	236	9.35	3.4	1.45				159	228	9.06	3.4	1.55				181	201	7.97	3.3	1.65				191	190	7.53	3.3	1.75				225	162	6.41	3.2	1.95				247	147	5.82	3.1	2.00				285	127	5.05	3.0	2.20				328	111	4.39	2.9	2.40				142	256	10.15	1.9	0.85	GR47 GRF47	4P	159	229	9.07	2.2	0.90		180	202			8.01	2.5	0.95																	5.5kW														1.3	42093	1146	128	0.85	GR177R107 GRF177R107	4P								1.4			37282	1015	128	1.00											1.6	33572	914			128	1.10											1.8	29789			811	128	1.20											2.0			26960	734	128	1.35													2.2	24353	663	128	1.50													2.6	20643	562	128	1.75													2.9	18329	499	128	2.00									3.4	15721	428	128	2.30									3.8	14105	384	128	2.60									4.1	12746	347	128	2.85																																																																																																																																																																																																																																																																																					
103	352	13.95	3.6	1.15						121	299	11.88					3.5	1.25		133			272	10.79	3.5	1.35		154			236	9.35	3.4	1.45		159			228	9.06	3.4	1.55		181			201	7.97	3.3	1.65		191			190	7.53	3.3	1.75		225			162	6.41	3.2	1.95		247			147	5.82	3.1	2.00		285			127	5.05	3.0	2.20		328			111	4.39	2.9	2.40		142			256	10.15	1.9	0.85	GR47 GRF47	4P	159	229	9.07	2.2	0.90		180	202			8.01	2.5	0.95																	5.5kW														1.3	42093	1146	128	0.85	GR177R107 GRF177R107	4P								1.4			37282	1015	128	1.00											1.6	33572	914	128	1.10													1.8	29789	811	128			1.20											2.0	26960	734			128	1.35											2.2	24353			663	128	1.50											2.6			20643	562	128	1.75													2.9	18329	499	128	2.00									3.4	15721	428	128	2.30									3.8	14105	384	128	2.60									4.1	12746	347	128	2.85																																																																																																																																																																																																																																																																																															
121	299	11.88	3.5	1.25						133	272	10.79			3.5	1.35		154	236	9.35			3.4	1.45		159	228	9.06			3.4	1.55		181	201	7.97			3.3	1.65		191	190	7.53			3.3	1.75		225	162	6.41			3.2	1.95		247	147	5.82			3.1	2.00		285	127	5.05			3.0	2.20		328	111	4.39			2.9	2.40		142	256	10.15			1.9	0.85	GR47 GRF47	4P	159	229	9.07	2.2	0.90		180	202			8.01	2.5	0.95																		5.5kW														1.3	42093	1146	128	0.85	GR177R107 GRF177R107	4P										1.4	37282	1015	128	1.00											1.6	33572	914			128	1.10											1.8	29789	811	128	1.20													2.0	26960	734	128			1.35											2.2	24353	663			128	1.50											2.6	20643			562	128	1.75											2.9			18329	499	128	2.00									3.4	15721	428	128	2.30									3.8	14105	384	128	2.60									4.1	12746	347	128	2.85																																																																																																																																																																																																																																																																																																								
133	272	10.79	3.5	1.35				154	236	9.35	3.4	1.45				159	228	9.06	3.4	1.55				181	201	7.97	3.3	1.65				191	190	7.53	3.3	1.75				225	162	6.41	3.2	1.95				247	147	5.82	3.1	2.00				285	127	5.05	3.0	2.20				328	111	4.39	2.9	2.40				142	256	10.15	1.9	0.85			GR47 GRF47	4P	159	229	9.07	2.2	0.90		180	202			8.01	2.5	0.95																		5.5kW														1.3	42093	1146	128	0.85	GR177R107 GRF177R107	4P								1.4			37282	1015	128	1.00											1.6	33572	914			128	1.10											1.8	29789	811	128	1.20													2.0	26960	734	128	1.35													2.2	24353	663	128	1.50													2.6	20643	562	128			1.75											2.9	18329	499			128	2.00									3.4	15721	428	128	2.30									3.8	14105	384	128	2.60									4.1	12746	347	128	2.85																																																																																																																																																																																																																																																																																																																		
154	236	9.35	3.4	1.45				159	228	9.06	3.4	1.55				181	201	7.97	3.3	1.65				191	190	7.53	3.3	1.75				225	162	6.41	3.2	1.95				247	147	5.82	3.1	2.00				285	127	5.05	3.0	2.20				328	111	4.39	2.9	2.40				142	256	10.15	1.9	0.85			GR47 GRF47	4P	159	229	9.07	2.2	0.90				180	202	8.01	2.5	0.95																	5.5kW														1.3	42093	1146	128	0.85	GR177R107 GRF177R107	4P										1.4	37282	1015	128	1.00											1.6	33572			914	128	1.10											1.8	29789	811	128	1.20											2.0			26960	734	128	1.35													2.2	24353	663	128	1.50													2.6	20643	562	128	1.75													2.9	18329	499	128			2.00									3.4	15721	428	128	2.30									3.8	14105	384	128	2.60									4.1	12746	347	128	2.85																																																																																																																																																																																																																																																																																																																											
159	228	9.06	3.4	1.55				181	201	7.97	3.3	1.65				191	190	7.53	3.3	1.75				225	162	6.41	3.2	1.95				247	147	5.82	3.1	2.00				285	127	5.05	3.0	2.20				328	111	4.39	2.9	2.40				142	256	10.15	1.9	0.85			GR47 GRF47	4P	159	229	9.07	2.2	0.90				180	202	8.01	2.5	0.95																	5.5kW														1.3	42093	1146	128	0.85	GR177R107 GRF177R107	4P										1.4	37282	1015	128	1.00											1.6			33572	914	128	1.10											1.8	29789	811			128	1.20											2.0	26960	734	128	1.35													2.2	24353	663	128	1.50													2.6	20643	562	128	1.75													2.9	18329	499	128			2.00									3.4	15721	428	128	2.30									3.8	14105	384	128	2.60									4.1	12746	347	128	2.85																																																																																																																																																																																																																																																																																																																																			
181	201	7.97	3.3	1.65				191	190	7.53	3.3	1.75				225	162	6.41	3.2	1.95				247	147	5.82	3.1	2.00				285	127	5.05	3.0	2.20				328	111	4.39	2.9	2.40				142	256	10.15	1.9	0.85			GR47 GRF47	4P	159	229	9.07	2.2	0.90				180	202	8.01	2.5	0.95																			5.5kW														1.3	42093	1146	128	0.85	GR177R107 GRF177R107	4P										1.4	37282	1015			128	1.00											1.6	33572	914	128	1.10													1.8	29789	811	128	1.20											2.0	26960			734	128	1.35											2.2	24353	663	128			1.50											2.6	20643	562			128	1.75											2.9	18329			499	128	2.00									3.4	15721	428	128	2.30									3.8	14105	384	128	2.60									4.1	12746	347	128	2.85																																																																																																																																																																																																																																																																																																																																									
191	190	7.53	3.3	1.75				225	162	6.41	3.2	1.95				247	147	5.82	3.1	2.00				285	127	5.05	3.0	2.20				328	111	4.39	2.9	2.40				142	256	10.15	1.9	0.85			GR47 GRF47	4P	159	229	9.07	2.2	0.90				180	202	8.01	2.5	0.95																			5.5kW														1.3	42093	1146	128	0.85	GR177R107 GRF177R107	4P										1.4	37282	1015			128	1.00											1.6	33572	914			128	1.10											1.8	29789	811	128	1.20													2.0	26960	734	128	1.35											2.2	24353	663	128			1.50											2.6	20643	562			128	1.75											2.9	18329			499	128	2.00									3.4	15721	428	128	2.30									3.8	14105	384	128	2.60									4.1	12746	347	128	2.85																																																																																																																																																																																																																																																																																																																																																	
225	162	6.41	3.2	1.95				247	147	5.82	3.1	2.00				285	127	5.05	3.0	2.20				328	111	4.39	2.9	2.40				142	256	10.15	1.9	0.85			GR47 GRF47	4P	159	229	9.07	2.2	0.90				180	202	8.01	2.5	0.95																			5.5kW														1.3	42093	1146	128	0.85	GR177R107 GRF177R107	4P										1.4	37282	1015	128	1.00													1.6	33572			914	128	1.10											1.8	29789	811	128			1.20											2.0	26960	734	128	1.35											2.2			24353	663	128	1.50											2.6	20643	562			128	1.75											2.9	18329			499	128	2.00									3.4	15721	428	128	2.30									3.8	14105	384	128	2.60									4.1	12746	347	128	2.85																																																																																																																																																																																																																																																																																																																																																									
247	147	5.82	3.1	2.00				285	127	5.05	3.0	2.20				328	111	4.39	2.9	2.40				142	256	10.15	1.9	0.85			GR47 GRF47	4P	159	229	9.07	2.2	0.90				180	202	8.01	2.5	0.95																			5.5kW														1.3	42093	1146	128	0.85	GR177R107 GRF177R107	4P										1.4	37282	1015	128	1.00													1.6	33572			914	128	1.10											1.8	29789			811	128	1.20											2.0	26960	734	128			1.35											2.2	24353	663	128	1.50											2.6	20643	562			128	1.75											2.9	18329			499	128	2.00									3.4	15721	428	128	2.30									3.8	14105	384	128	2.60									4.1	12746	347	128	2.85																																																																																																																																																																																																																																																																																																																																																																	
285	127	5.05	3.0	2.20				328	111	4.39	2.9	2.40				142	256	10.15	1.9	0.85			GR47 GRF47	4P	159	229	9.07	2.2	0.90				180	202	8.01	2.5	0.95																			5.5kW														1.3	42093	1146	128	0.85	GR177R107 GRF177R107	4P										1.4	37282	1015	128	1.00													1.6	33572	914	128			1.10											1.8			29789	811	128	1.20											2.0	26960	734			128	1.35											2.2	24353	663	128	1.50													2.6	20643	562	128	1.75											2.9	18329			499	128	2.00									3.4	15721	428	128	2.30									3.8	14105	384	128	2.60									4.1	12746	347	128	2.85																																																																																																																																																																																																																																																																																																																																																																									
328	111	4.39	2.9	2.40				142	256	10.15	1.9	0.85			GR47 GRF47	4P	159	229	9.07	2.2	0.90				180	202	8.01	2.5	0.95																			5.5kW														1.3	42093	1146	128	0.85	GR177R107 GRF177R107	4P										1.4	37282	1015	128	1.00													1.6	33572	914	128			1.10											1.8			29789	811	128	1.20											2.0			26960	734	128	1.35											2.2	24353	663			128	1.50											2.6	20643	562	128	1.75											2.9	18329			499	128	2.00									3.4	15721	428	128	2.30									3.8	14105	384	128	2.60									4.1	12746	347	128	2.85																																																																																																																																																																																																																																																																																																																																																																																	
142	256	10.15	1.9	0.85			GR47 GRF47	4P	159	229	9.07	2.2	0.90				180	202	8.01	2.5	0.95																			5.5kW														1.3	42093	1146	128	0.85	GR177R107 GRF177R107	4P										1.4	37282	1015	128	1.00													1.6	33572	914	128			1.10											1.8	29789	811			128	1.20													2.0	26960	734	128	1.35											2.2	24353			663	128	1.50											2.6	20643	562	128			1.75											2.9	18329	499	128	2.00									3.4	15721	428	128	2.30									3.8	14105	384	128	2.60									4.1	12746	347	128	2.85																																																																																																																																																																																																																																																																																																																																																																																									
159	229	9.07	2.2	0.90		180			202	8.01	2.5	0.95																	5.5kW														1.3	42093	1146	128	0.85	GR177R107 GRF177R107	4P								1.4	37282			1015	128	1.00											1.6			33572	914	128	1.10													1.8	29789	811	128	1.20													2.0	26960	734			128	1.35											2.2	24353	663			128	1.50											2.6	20643	562	128	1.75													2.9	18329	499	128	2.00									3.4	15721	428	128	2.30									3.8	14105	384	128	2.60									4.1	12746	347	128	2.85																																																																																																																																																																																																																																																																																																																																																																																																				
180	202	8.01	2.5	0.95																	5.5kW														1.3	42093	1146	128	0.85	GR177R107 GRF177R107	4P										1.4	37282	1015	128	1.00											1.6			33572	914	128	1.10													1.8	29789	811	128	1.20													2.0	26960	734	128	1.35													2.2	24353			663	128	1.50											2.6	20643	562	128			1.75											2.9	18329	499	128	2.00									3.4	15721	428	128	2.30									3.8	14105	384	128	2.60									4.1	12746	347	128	2.85																																																																																																																																																																																																																																																																																																																																																																																																												
													5.5kW														1.3	42093	1146	128	0.85	GR177R107 GRF177R107	4P										1.4	37282	1015	128	1.00											1.6			33572	914	128	1.10													1.8	29789	811	128	1.20													2.0	26960	734	128	1.35													2.2	24353			663	128	1.50											2.6	20643			562	128	1.75											2.9	18329	499	128	2.00									3.4	15721	428	128	2.30									3.8	14105	384	128	2.60									4.1	12746	347	128	2.85																																																																																																																																																																																																																																																																																																																																																																																																																				
							5.5kW																																																																																																																																																																																																																																																																																																																																																																																																																																																																																																																																																																																																									
							1.3	42093	1146	128	0.85	GR177R107 GRF177R107	4P																																																																																																																																																																																																																																																																																																																																																																																																																																																																																																																																																																																																			
							1.4	37282	1015	128	1.00											1.6	33572	914	128	1.10											1.8	29789	811			128	1.20											2.0	26960	734	128	1.35													2.2	24353	663	128			1.50											2.6	20643	562			128	1.75											2.9	18329			499	128	2.00											3.4	15721	428	128	2.30									3.8	14105	384	128	2.60									4.1	12746	347	128	2.85																																																																																																																																																																																																																																																																																																																																																																																																																																																								
							1.6	33572	914	128	1.10											1.8	29789	811	128	1.20											2.0	26960	734			128	1.35											2.2	24353	663	128	1.50													2.6	20643	562	128			1.75											2.9	18329	499			128	2.00											3.4	15721			428	128	2.30									3.8	14105	384	128	2.60									4.1	12746	347	128	2.85																																																																																																																																																																																																																																																																																																																																																																																																																																																																							
							1.8	29789	811	128	1.20											2.0	26960	734	128	1.35											2.2	24353	663			128	1.50											2.6	20643	562	128	1.75													2.9	18329	499	128			2.00											3.4	15721	428			128	2.30											3.8	14105	384	128	2.60									4.1	12746	347	128	2.85																																																																																																																																																																																																																																																																																																																																																																																																																																																																																						
							2.0	26960	734	128	1.35											2.2	24353	663	128	1.50											2.6	20643	562			128	1.75											2.9	18329	499	128	2.00													3.4	15721	428	128			2.30											3.8	14105	384			128	2.60									4.1	12746	347	128	2.85																																																																																																																																																																																																																																																																																																																																																																																																																																																																																																					
							2.2	24353	663	128	1.50											2.6	20643	562	128	1.75											2.9	18329	499			128	2.00											3.4	15721	428	128	2.30													3.8	14105	384	128			2.60											4.1	12746	347	128	2.85																																																																																																																																																																																																																																																																																																																																																																																																																																																																																																																				
							2.6	20643	562	128	1.75											2.9	18329	499	128	2.00											3.4	15721	428			128	2.30											3.8	14105	384	128	2.60													4.1	12746	347	128			2.85																																																																																																																																																																																																																																																																																																																																																																																																																																																																																																																																			
							2.9	18329	499	128	2.00											3.4	15721	428	128	2.30											3.8	14105	384			128	2.60											4.1	12746	347	128	2.85																																																																																																																																																																																																																																																																																																																																																																																																																																																																																																																																																						
							3.4	15721	428	128	2.30											3.8	14105	384	128	2.60											4.1	12746	347			128	2.85																																																																																																																																																																																																																																																																																																																																																																																																																																																																																																																																																																					
							3.8	14105	384	128	2.60											4.1	12746	347	128	2.85																																																																																																																																																																																																																																																																																																																																																																																																																																																																																																																																																																																						
							4.1	12746	347	128	2.85																																																																																																																																																																																																																																																																																																																																																																																																																																																																																																																																																																																																					

选型参数表
(恒功率)

Selection Table
(Constant Power)

n_a [r/min]	M_a [Nm]	i	F_{ra} [kN]	f_b	机型号 Type size	极数 Pole	n_a [r/min]	M_a [Nm]	i	F_{ra} [kN]	f_b	机型号 Type size	极数 Pole																																																																																																																																																																																																																																																																																																																																																																																																																																																																																																																																																																																																																																												
5.5kW							5.5kW																																																																																																																																																																																																																																																																																																																																																																																																																																																																																																																																																																																																																																																		
1.2	44610	1223	128	0.80	GR177R97 GRF177R97	4P	14	3582	103.36	57	2.10	GR137 GRF137	4P																																																																																																																																																																																																																																																																																																																																																																																																																																																																																																																																																																																																																																												
1.3	41874	1148	128	0.85			1.5	35892	984	128	1.00			1.8	28816	790	128	1.25	2.0	25752	706	128	1.40	2.3	22506	617	128	1.65	2.7	19514	535	128	1.90	3.0	17472	479	128	2.10	3.2	16560	454	128	2.20	3.5	14809	406	128	2.45	4.1	12912	354	128	2.80	2.2	21661	658	114	0.85	GR167R97 GRF167R97	4P	11	4424	127.68	26	0.90	GR107 GRF107	4P	2.5	19060	579	114	0.95	2.8	16855	512	114	1.05	3.3	14353	436	114	1.25	3.8	12444	378	114	1.45	4.3	11127	338	114	1.60	4.7	10139	308	114	1.80	5.1	9217	280	114	1.95	3.1	15275	464	42	0.85	GR147R87 GRF147R87	4P	18	2723	78.57	32	1.50	3.4	14057	427	55	0.90	4.0	11950	363	61	1.10	4.5	10534	320	63	1.25	5.1	9250	281	65	1.40	5.8	8164	248	67	1.60	6.9	6913	210	68	1.90	7.8	6090	185	68	2.15	3.6	13967	201.53	128	2.50	GR177 GRF177	8P	20	2501	72.17	21	1.15	GR97 GRF97	4P	3.9	12706	183.34	128	2.75	4.4	11406	164.59	128	3.05	3.1	16043	231.49	114	1.05	GR167 GRF167	8P	22	2260	65.21	23	1.25	3.8	12970	187.15	114	1.30	4.7	10511	151.66	114	1.60	5.1	9716	140.20	114	1.75	5.9	8498	122.62	114	2.00	4.4	11332	163.51	61	1.10	GR147 GRF147	8P	24	2076	59.92	23	1.35	4.9	10170	146.74	63	1.20	6.0	8262	119.22	66	1.45	6.6	7533	108.69	67	1.60	5.9	8499	163.51	66	1.45	6.5	7627	146.74	67	1.60	GR147 GRF147	6P	27	1844	53.21	22	1.55	8.1	6197	119.22	68	2.00	8.8	5649	108.69	69	2.20	10	4926	94.77	69	2.50	12	4333	83.37	70	2.80	5.6	8897	128.38	42	0.85	GR137 GRF137	8P	30	1649	47.58	22	1.70	6.3	7894	113.90	50	0.95	7.0	7163	103.36	51	1.05	8.1	6158	88.85	53	1.20	5.5	9079	174.68	41	0.85	6.1	8138	156.56	49	0.95	GR137 GRF137	6P	34	1482	42.78	21	1.90	6.8	7347	141.35	51	1.05	7.5	6673	128.38	53	1.15	8.4	5920	113.90	54	1.30	9.3	5372	103.36	55	1.40	6.5	7726	222.96	50	1.00	GR137 GRF137	4P	39	1287	37.13	21	2.20	7.6	6541	188.75	53	1.15	8.2	6053	174.68	54	1.25	9.2	5425	156.56	55	1.40	10	4898	141.35	55	1.55	11	4449	128.38	56	1.70	13	3947	113.90	56	1.90	45	1111	32.05	20	2.20	GR87 GRF87	4P	53	942	27.19	19	2.60	58	867	25.03	19	3.10	64	775	22.37	18	3.30	71	698	20.14	17	3.50	79	632	18.24	17	3.70	89	560	16.17	16	4.00	30	1656	47.79	15	0.90	34	1453	41.92	16	1.00	39	1282	37.00	16	1.15	44	1137	32.80	16	1.30	51	970	28.00	15	1.45	52	969	27.96	15	1.50	61	815	23.51	15	1.80	67	748	21.60	14	1.90	75	665	19.18	14	2.00	84	594	17.15	14	2.20	93	534	15.42	13	2.40	108	464	13.38	13	2.60	120	415	11.98	12	2.80	145	344	9.94	12	3.20	158	317	9.14	12	3.60	175	285	8.22	11	3.80	202	247	7.13	11	4.10	77	651	18.80	8.8	1.15	81	617	17.82	8.9	1.20	92	541	15.60	8.7	1.30	102	487	14.05	8.5	1.40	117	427	12.33	8.3	1.50	132	377	10.88	8.0	1.65	149	334	9.64	7.8	1.80	168	298	8.59	7.7	2.00	186	268	7.74	7.5	2.20	212	235	6.79	7.2	2.30	240	208	5.99	7.0	2.50	271	184	5.31	6.7	2.60																																																																												
1.5	35892	984	128	1.00			1.8	28816	790	128	1.25			2.0	25752	706	128	1.40	2.3	22506	617	128	1.65	2.7	19514	535	128	1.90	3.0	17472	479	128	2.10	3.2	16560	454	128	2.20	3.5	14809	406	128	2.45	4.1	12912	354	128	2.80	2.2	21661	658	114	0.85	GR167R97 GRF167R97	4P	11	4424	127.68			26	0.90	GR107 GRF107	4P	2.5			19060	579	114	0.95	2.8	16855	512	114	1.05	3.3	14353	436	114	1.25	3.8	12444	378	114	1.45	4.3	11127	338	114	1.60	4.7	10139	308	114	1.80	5.1	9217	280	114	1.95	3.1	15275	464	42	0.85	GR147R87 GRF147R87			4P	18	2723	78.57	32	1.50	3.4	14057	427	55	0.90	4.0	11950	363	61	1.10	4.5	10534	320	63	1.25	5.1	9250	281	65	1.40	5.8	8164	248	67	1.60	6.9	6913	210	68	1.90	7.8	6090	185	68	2.15	3.6	13967	201.53	128			2.50	GR177 GRF177	8P	20	2501			72.17	21	1.15	GR97 GRF97	4P	3.9	12706	183.34	128	2.75	4.4	11406	164.59	128	3.05			3.1	16043	231.49	114	1.05	GR167 GRF167	8P	22	2260	65.21	23	1.25	3.8	12970	187.15	114	1.30	4.7	10511	151.66	114	1.60	5.1	9716	140.20	114	1.75	5.9	8498	122.62			114	2.00	4.4	11332	163.51	61	1.10	GR147 GRF147	8P	24	2076	59.92	23	1.35	4.9	10170	146.74	63	1.20	6.0	8262	119.22	66	1.45	6.6	7533	108.69	67	1.60	5.9			8499	163.51	66	1.45	6.5	7627	146.74	67	1.60	GR147 GRF147	6P	27	1844	53.21	22	1.55	8.1	6197	119.22	68	2.00	8.8	5649	108.69	69	2.20	10	4926	94.77	69			2.50	12	4333	83.37	70	2.80	5.6	8897	128.38	42	0.85	GR137 GRF137	8P	30	1649	47.58	22	1.70	6.3	7894	113.90	50	0.95	7.0	7163	103.36	51	1.05	8.1	6158			88.85	53	1.20	5.5	9079	174.68	41	0.85	6.1	8138	156.56	49	0.95	GR137 GRF137	6P	34	1482	42.78	21	1.90	6.8	7347	141.35	51	1.05	7.5	6673	128.38	53	1.15			8.4	5920	113.90	54	1.30	9.3	5372	103.36	55	1.40	6.5	7726	222.96	50	1.00	GR137 GRF137	4P	39	1287	37.13	21	2.20	7.6	6541	188.75	53	1.15	8.2	6053	174.68	54	1.25	9.2	5425	156.56	55	1.40	10	4898	141.35			55	1.55	11	4449	128.38	56	1.70	13	3947	113.90	56	1.90	45	1111	32.05	20	2.20	GR87 GRF87	4P	53	942	27.19	19	2.60	58	867	25.03	19	3.10	64	775	22.37	18	3.30	71	698	20.14	17	3.50	79	632	18.24	17	3.70	89	560	16.17	16	4.00	30	1656	47.79	15	0.90	34	1453	41.92	16	1.00	39	1282	37.00	16	1.15	44	1137	32.80	16	1.30	51	970	28.00	15	1.45	52	969	27.96	15	1.50	61	815	23.51	15	1.80	67	748	21.60	14	1.90	75	665	19.18	14	2.00	84	594	17.15	14	2.20	93	534	15.42	13	2.40	108	464	13.38	13	2.60	120	415	11.98	12	2.80	145	344	9.94	12	3.20	158	317	9.14	12	3.60	175	285	8.22	11	3.80	202	247	7.13	11	4.10	77	651	18.80	8.8	1.15	81	617	17.82	8.9	1.20	92	541	15.60	8.7	1.30	102	487	14.05	8.5	1.40	117	427	12.33	8.3	1.50	132	377	10.88	8.0	1.65	149	334	9.64	7.8	1.80	168	298	8.59	7.7	2.00	186	268	7.74	7.5	2.20	212	235	6.79	7.2	2.30	240	208	5.99	7.0	2.50	271	184	5.31	6.7	2.60																																																									
1.8	28816	790	128	1.25			2.0	25752	706	128	1.40			2.3	22506	617	128	1.65	2.7	19514	535	128	1.90	3.0	17472	479	128	2.10	3.2	16560	454	128	2.20	3.5	14809	406	128	2.45	4.1	12912	354	128	2.80	2.2	21661	658	114	0.85	GR167R97 GRF167R97	4P	11	4424	127.68			26	0.90	GR107 GRF107			4P	2.5			19060			579	114	0.95	2.8	16855	512	114	1.05	3.3	14353	436	114	1.25	3.8	12444	378	114	1.45	4.3	11127	338	114	1.60	4.7	10139	308	114	1.80	5.1	9217	280	114	1.95	3.1	15275	464	42	0.85	GR147R87 GRF147R87					4P	18	2723	78.57	32	1.50	3.4	14057	427	55	0.90	4.0	11950	363	61	1.10	4.5	10534	320	63	1.25	5.1	9250	281	65	1.40	5.8	8164	248	67	1.60	6.9	6913	210	68	1.90	7.8	6090	185	68	2.15	3.6	13967	201.53			128			2.50	GR177 GRF177			8P	20	2501			72.17	21	1.15	GR97 GRF97	4P	3.9	12706	183.34	128	2.75			4.4	11406	164.59	128	3.05			3.1	16043	231.49	114	1.05	GR167 GRF167	8P	22	2260	65.21	23	1.25	3.8	12970	187.15	114	1.30	4.7	10511	151.66	114	1.60	5.1			9716	140.20	114	1.75	5.9	8498	122.62			114	2.00	4.4	11332	163.51	61	1.10	GR147 GRF147	8P	24	2076	59.92	23	1.35	4.9	10170	146.74	63	1.20	6.0	8262			119.22	66	1.45	6.6	7533	108.69	67	1.60	5.9			8499	163.51	66	1.45	6.5	7627	146.74	67	1.60	GR147 GRF147	6P	27	1844	53.21	22	1.55	8.1	6197	119.22			68	2.00	8.8	5649	108.69	69	2.20	10	4926	94.77	69			2.50	12	4333	83.37	70	2.80	5.6	8897	128.38	42	0.85	GR137 GRF137	8P	30	1649	47.58	22			1.70	6.3	7894	113.90	50	0.95	7.0	7163	103.36	51	1.05	8.1	6158			88.85	53	1.20	5.5	9079	174.68	41	0.85	6.1	8138	156.56	49	0.95	GR137 GRF137	6P			34	1482	42.78	21	1.90	6.8	7347	141.35	51	1.05	7.5	6673	128.38	53	1.15			8.4	5920	113.90	54	1.30	9.3	5372	103.36	55	1.40	6.5	7726	222.96	50	1.00	GR137 GRF137	4P	39	1287	37.13	21	2.20	7.6			6541	188.75	53	1.15	8.2	6053	174.68	54	1.25	9.2	5425	156.56	55	1.40	10	4898	141.35			55	1.55	11	4449	128.38	56	1.70	13	3947	113.90	56	1.90	45	1111	32.05	20	2.20	GR87 GRF87	4P	53	942	27.19	19	2.60	58	867	25.03	19	3.10	64	775	22.37	18	3.30	71	698	20.14	17	3.50	79	632	18.24	17	3.70	89	560	16.17	16	4.00	30	1656	47.79	15	0.90	34	1453	41.92	16	1.00	39	1282	37.00	16	1.15	44	1137	32.80	16	1.30	51	970	28.00	15	1.45	52	969	27.96	15	1.50	61	815	23.51	15	1.80	67	748	21.60	14	1.90	75	665	19.18	14	2.00	84	594	17.15	14	2.20	93	534	15.42	13	2.40	108	464	13.38	13	2.60	120	415	11.98	12	2.80	145	344	9.94	12	3.20	158	317	9.14	12	3.60	175	285	8.22	11	3.80	202	247	7.13	11	4.10	77	651	18.80	8.8	1.15	81	617	17.82	8.9	1.20	92	541	15.60	8.7	1.30	102	487	14.05	8.5	1.40	117	427	12.33	8.3	1.50	132	377	10.88	8.0	1.65	149	334	9.64	7.8	1.80	168	298	8.59	7.7	2.00	186	268	7.74	7.5	2.20	212	235	6.79	7.2	2.30	240	208	5.99	7.0	2.50	271	184	5.31	6.7	2.60																																						
2.0	25752	706	128	1.40			2.3	22506	617	128	1.65			2.7	19514	535	128	1.90	3.0	17472	479	128	2.10	3.2	16560	454	128	2.20	3.5	14809	406	128	2.45	4.1	12912	354	128	2.80	2.2	21661	658	114	0.85	GR167R97 GRF167R97	4P	11	4424	127.68			26	0.90	GR107 GRF107			4P	2.5					19060			579			114	0.95	2.8	16855	512	114	1.05	3.3	14353	436	114	1.25	3.8	12444	378	114	1.45	4.3	11127	338	114	1.60	4.7	10139	308	114	1.80	5.1	9217	280	114	1.95	3.1	15275	464	42	0.85	GR147R87 GRF147R87							4P	18	2723	78.57	32	1.50	3.4	14057	427	55	0.90	4.0	11950	363	61	1.10	4.5	10534	320	63	1.25	5.1	9250	281	65	1.40	5.8	8164	248	67	1.60	6.9	6913	210	68	1.90	7.8	6090	185	68	2.15	3.6	13967	201.53	128	2.50			GR177 GRF177					8P	20			2501	72.17	21			1.15	GR97 GRF97	4P	3.9	12706			183.34	128	2.75	4.4	11406			164.59	128	3.05	3.1	16043			231.49	114	1.05	GR167 GRF167	8P	22	2260	65.21	23	1.25	3.8	12970	187.15	114	1.30	4.7			10511	151.66	114	1.60	5.1	9716	140.20			114	1.75	5.9	8498	122.62	114	2.00			4.4	11332	163.51	61	1.10	GR147 GRF147	8P	24	2076	59.92	23	1.35			4.9	10170	146.74	63	1.20	6.0	8262	119.22	66			1.45	6.6	7533	108.69	67	1.60	5.9	8499	163.51			66	1.45	6.5	7627	146.74	67	1.60	GR147 GRF147			6P	27	1844	53.21	22	1.55	8.1	6197	119.22	68	2.00			8.8	5649	108.69	69	2.20	10	4926	94.77	69	2.50	12			4333	83.37	70	2.80			5.6	8897	128.38	42	0.85	GR137 GRF137	8P	30	1649	47.58	22	1.70	6.3			7894	113.90	50	0.95	7.0	7163	103.36	51	1.05	8.1	6158	88.85	53					1.20	5.5	9079	174.68	41	0.85	6.1	8138	156.56	49	0.95	GR137 GRF137	6P	34	1482			42.78	21	1.90	6.8	7347	141.35	51	1.05	7.5	6673	128.38	53	1.15	8.4	5920			113.90	54	1.30	9.3	5372	103.36			55	1.40	6.5	7726	222.96	50	1.00	GR137 GRF137	4P	39	1287	37.13	21	2.20	7.6	6541	188.75			53	1.15	8.2	6053	174.68	54	1.25	9.2	5425	156.56	55	1.40	10	4898	141.35	55	1.55			11	4449	128.38	56	1.70	13	3947	113.90	56	1.90	45	1111	32.05	20	2.20	GR87 GRF87	4P	53	942	27.19	19	2.60	58	867	25.03	19	3.10	64	775	22.37	18	3.30	71	698	20.14	17	3.50	79	632	18.24	17	3.70	89	560	16.17	16	4.00	30	1656	47.79	15	0.90	34	1453	41.92	16	1.00	39	1282	37.00	16	1.15	44	1137	32.80	16	1.30	51	970	28.00	15	1.45	52	969	27.96	15	1.50	61	815	23.51	15	1.80	67	748	21.60	14	1.90	75	665	19.18	14	2.00	84	594	17.15	14	2.20	93	534	15.42	13	2.40	108	464	13.38	13	2.60	120	415	11.98	12	2.80	145	344	9.94	12	3.20	158	317	9.14	12	3.60	175	285	8.22	11	3.80	202	247	7.13	11	4.10	77	651	18.80	8.8	1.15	81	617	17.82	8.9	1.20	92	541	15.60	8.7	1.30	102	487	14.05	8.5	1.40	117	427	12.33	8.3	1.50	132	377	10.88	8.0	1.65	149	334	9.64	7.8	1.80	168	298	8.59	7.7	2.00	186	268	7.74	7.5	2.20	212	235	6.79	7.2	2.30	240	208	5.99	7.0	2.50	271	184	5.31	6.7	2.60																					
2.3	22506	617	128	1.65			2.7	19514	535	128	1.90			3.0	17472	479	128	2.10	3.2	16560	454	128	2.20	3.5	14809	406	128	2.45	4.1	12912	354	128	2.80	2.2	21661	658	114	0.85	GR167R97 GRF167R97	4P	11	4424	127.68			26	0.90	GR107 GRF107			4P	2.5					19060					579			114			0.95	2.8	16855	512	114	1.05	3.3	14353	436	114	1.25	3.8	12444	378	114	1.45	4.3	11127	338	114	1.60	4.7	10139	308	114	1.80	5.1	9217	280	114	1.95	3.1	15275	464	42	0.85	GR147R87 GRF147R87									4P	18	2723	78.57	32	1.50	3.4	14057	427	55	0.90	4.0	11950	363	61	1.10	4.5	10534	320	63	1.25	5.1	9250	281	65	1.40	5.8	8164	248	67	1.60	6.9	6913	210	68	1.90	7.8	6090	185	68	2.15	3.6	13967	201.53	128	2.50	GR177 GRF177							8P			20	2501	72.17			21			1.15	GR97 GRF97			4P	3.9	12706	183.34	128			2.75	4.4	11406	164.59	128			3.05	3.1	16043			231.49	114	1.05	GR167 GRF167	8P	22	2260	65.21	23	1.25	3.8			12970	187.15	114	1.30	4.7	10511	151.66			114	1.60	5.1	9716	140.20	114	1.75			5.9	8498	122.62	114	2.00			4.4	11332	163.51	61	1.10			GR147 GRF147	8P	24	2076	59.92	23	1.35	4.9	10170			146.74	63	1.20	6.0	8262	119.22	66	1.45	6.6			7533	108.69	67	1.60	5.9	8499	163.51					66	1.45	6.5	7627	146.74	67	1.60	GR147 GRF147	6P	27			1844	53.21	22	1.55	8.1	6197	119.22	68	2.00	8.8	5649			108.69	69	2.20	10			4926	94.77	69	2.50	12			4333	83.37	70	2.80	5.6	8897			128.38	42	0.85	GR137 GRF137	8P	30	1649	47.58	22	1.70	6.3	7894	113.90					50	0.95	7.0	7163	103.36	51	1.05	8.1	6158	88.85	53			1.20	5.5			9079	174.68	41	0.85	6.1	8138	156.56	49	0.95	GR137 GRF137	6P	34	1482	42.78	21			1.90	6.8	7347	141.35	51	1.05			7.5	6673	128.38	53	1.15	8.4	5920			113.90	54	1.30	9.3	5372	103.36	55	1.40			6.5	7726	222.96	50	1.00	GR137 GRF137	4P	39	1287	37.13	21	2.20	7.6	6541	188.75	53	1.15			8.2	6053	174.68	54	1.25	9.2	5425	156.56	55	1.40	10	4898	141.35	55	1.55			11	4449	128.38	56	1.70	13	3947	113.90	56	1.90	45	1111	32.05	20	2.20	GR87 GRF87	4P	53	942	27.19	19	2.60	58	867	25.03	19	3.10	64	775	22.37	18	3.30	71	698	20.14	17	3.50	79	632	18.24	17	3.70	89	560	16.17	16	4.00	30	1656	47.79	15	0.90	34	1453	41.92	16	1.00	39	1282	37.00	16	1.15	44	1137	32.80	16	1.30	51	970	28.00	15	1.45	52	969	27.96	15	1.50	61	815	23.51	15	1.80	67	748	21.60	14	1.90	75	665	19.18	14	2.00	84	594	17.15	14	2.20	93	534	15.42	13	2.40	108	464	13.38	13	2.60	120	415	11.98	12	2.80	145	344	9.94	12	3.20	158	317	9.14	12	3.60	175	285	8.22	11	3.80	202	247	7.13	11	4.10	77	651	18.80	8.8	1.15	81	617	17.82	8.9	1.20	92	541	15.60	8.7	1.30	102	487	14.05	8.5	1.40	117	427	12.33	8.3	1.50	132	377	10.88	8.0	1.65	149	334	9.64	7.8	1.80	168	298	8.59	7.7	2.00	186	268	7.74	7.5	2.20	212	235	6.79	7.2	2.30	240	208	5.99	7.0	2.50	271	184	5.31	6.7	2.60				
2.7	19514	535	128	1.90			3.0	17472	479	128	2.10			3.2	16560	454	128	2.20	3.5	14809	406	128	2.45	4.1	12912	354	128	2.80	2.2	21661	658	114	0.85	GR167R97 GRF167R97	4P	11	4424	127.68			26	0.90	GR107 GRF107			4P	2.5					19060					579					114			0.95			2.8	16855	512	114	1.05	3.3	14353	436	114	1.25	3.8	12444	378	114	1.45	4.3	11127	338	114	1.60	4.7	10139	308	114	1.80	5.1	9217	280	114	1.95	3.1	15275	464	42	0.85	GR147R87 GRF147R87											4P	18	2723	78.57	32	1.50	3.4	14057	427	55	0.90	4.0	11950	363	61	1.10	4.5	10534	320	63	1.25	5.1	9250	281	65	1.40	5.8	8164	248	67	1.60	6.9	6913	210	68	1.90	7.8	6090	185	68	2.15	3.6	13967	201.53	128			2.50			GR177 GRF177					8P	20	2501			72.17			21		1.15	GR97 GRF97		4P	3.9	12706	183.34			128	2.75	4.4	11406	164.59			128	3.05	3.1			16043	231.49	114			1.05	GR167 GRF167	8P	22	2260	65.21	23	1.25	3.8	12970	187.15	114	1.30	4.7	10511			151.66	114	1.60	5.1	9716	140.20	114			1.75	5.9	8498	122.62	114			2.00	4.4	11332	163.51	61	1.10	GR147 GRF147			8P	24	2076	59.92	23	1.35	4.9			10170	146.74	63	1.20	6.0	8262	119.22	66	1.45			6.6	7533	108.69	67	1.60	5.9	8499		163.51	66		1.45	6.5	7627	146.74	67	1.60	GR147 GRF147			6P			27	1844	53.21	22	1.55	8.1	6197	119.22	68	2.00	8.8			5649	108.69	69	2.20	10	4926	94.77	69	2.50	12	4333			83.37	70	2.80	5.6	8897	128.38			42	0.85	GR137 GRF137			8P	30	1649	47.58	22	1.70	6.3	7894					113.90	50	0.95	7.0	7163	103.36	51	1.05	8.1	6158	88.85			53	1.20			5.5	9079	174.68	41	0.85	6.1	8138	156.56	49			0.95	GR137 GRF137	6P	34			1482	42.78	21	1.90	6.8	7347			141.35	51	1.05	7.5	6673	128.38	53			1.15	8.4	5920	113.90	54	1.30	9.3	5372			103.36	55	1.40	6.5	7726			222.96	50	1.00	GR137 GRF137	4P	39	1287	37.13	21	2.20			7.6	6541	188.75	53	1.15	8.2	6053	174.68	54	1.25	9.2	5425	156.56	55	1.40			10	4898	141.35	55	1.55	11	4449	128.38	56	1.70	13	3947	113.90	56	1.90			45	1111	32.05	20	2.20	GR87 GRF87	4P	53	942	27.19	19	2.60	58	867	25.03	19	3.10	64	775	22.37	18	3.30	71	698	20.14	17	3.50	79	632	18.24	17	3.70	89	560	16.17	16	4.00	30	1656	47.79	15	0.90	34	1453	41.92	16	1.00	39	1282	37.00	16	1.15	44	1137	32.80	16	1.30	51	970	28.00	15	1.45	52	969	27.96	15	1.50	61	815	23.51	15	1.80	67	748	21.60	14	1.90	75	665	19.18	14	2.00	84	594	17.15	14	2.20	93	534	15.42	13	2.40	108	464	13.38	13	2.60	120	415	11.98	12	2.80	145	344	9.94	12	3.20	158	317	9.14	12	3.60	175	285	8.22	11	3.80	202	247	7.13	11	4.10	77	651	18.80	8.8	1.15	81	617	17.82	8.9	1.20	92	541	15.60	8.7	1.30	102	487	14.05	8.5	1.40	117	427	12.33	8.3	1.50	132	377	10.88	8.0	1.65	149	334	9.64	7.8	1.80	168	298	8.59	7.7	2.00	186	268	7.74	7.5	2.20	212	235	6.79	7.2	2.30	240	208	5.99	7.0	2.50	271	184
3.0	17472	479	128	2.10			3.2	16560	454	128	2.20			3.5	14809	406	128	2.45	4.1	12912	354	128	2.80	2.2	21661	658	114	0.85	GR167R97 GRF167R97	4P	11	4424	127.68			26	0.90	GR107 GRF107			4P	2.5					19060					579					114					0.95			2.8			16855	512	114	1.05	3.3	14353	436	114	1.25	3.8	12444	378	114	1.45	4.3	11127	338	114	1.60	4.7	10139	308	114	1.80	5.1	9217	280	114	1.95	3.1	15275	464	42	0.85	GR147R87 GRF147R87													4P	18	2723	78.57	32	1.50	3.4	14057	427	55	0.90	4.0	11950	363	61	1.10	4.5	10534	320	63	1.25	5.1	9250	281	65	1.40	5.8	8164	248	67	1.60	6.9	6913	210	68	1.90	7.8	6090	185	68	2.15	3.6	13967	201.53		128	2.50				GR177 GRF177					8P	20			2501			72.17		21				1.15	GR97 GRF97	4P	3.9	12706	183.34	128	2.75	4.4	11406			164.59	128	3.05			3.1	16043	231.49			114			1.05	GR167 GRF167	8P	22	2260	65.21	23	1.25	3.8	12970	187.15	114	1.30	4.7	10511	151.66	114	1.60	5.1	9716	140.20			114	1.75	5.9	8498	122.62			114	2.00	4.4	11332	163.51	61					1.10	GR147 GRF147	8P	24	2076	59.92	23	1.35	4.9	10170	146.74	63	1.20	6.0	8262	119.22	66			1.45	6.6	7533	108.69	67	1.60	5.9		8499	163.51		66	1.45	6.5	7627	146.74	67					1.60	GR147 GRF147	6P	27	1844	53.21	22	1.55	8.1	6197	119.22	68	2.00			8.8	5649	108.69	69	2.20	10	4926	94.77	69	2.50	12			4333	83.37	70	2.80	5.6	8897	128.38	42	0.85	GR137 GRF137					8P	30	1649	47.58	22	1.70	6.3					7894	113.90	50	0.95	7.0	7163	103.36	51	1.05	8.1	6158			88.85	53			1.20	5.5	9079	174.68	41	0.85	6.1	8138	156.56			49			0.95			GR137 GRF137	6P	34	1482	42.78	21			1.90	6.8	7347	141.35	51	1.05	7.5			6673	128.38	53	1.15	8.4	5920	113.90	54			1.30	9.3	5372	103.36	55			1.40	6.5	7726			222.96	50	1.00	GR137 GRF137	4P			39	1287	37.13	21	2.20	7.6	6541	188.75	53	1.15	8.2	6053	174.68	54	1.25			9.2	5425	156.56	55	1.40	10	4898	141.35	55	1.55	11	4449	128.38	56	1.70			13	3947	113.90	56	1.90			45	1111	32.05	20	2.20	GR87 GRF87	4P	53	942	27.19	19	2.60	58	867	25.03	19	3.10	64	775	22.37	18	3.30	71	698	20.14	17	3.50	79	632	18.24	17	3.70	89	560	16.17	16	4.00	30	1656	47.79	15	0.90	34	1453	41.92	16	1.00	39	1282	37.00	16	1.15	44	1137	32.80	16	1.30	51	970	28.00	15	1.45	52	969	27.96	15	1.50	61	815	23.51	15	1.80	67	748	21.60	14	1.90	75	665	19.18	14	2.00	84	594	17.15	14	2.20	93	534	15.42	13	2.40	108	464	13.38	13	2.60	120	415	11.98	12	2.80	145	344	9.94	12	3.20	158	317	9.14	12	3.60	175	285	8.22	11	3.80	202	247	7.13	11	4.10	77	651	18.80	8.8	1.15	81	617	17.82	8.9	1.20	92	541	15.60	8.7	1.30	102	487	14.05	8.5	1.40	117	427	12.33	8.3	1.50	132	377	10.88	8.0	1.65	149	334	9.64	7.8	1.80	168	298	8.59	7.7	2.00	186	268	7.74	7.5	2.20	212	235	6.79	7.2	2.30
3.2	16560	454	128	2.20			3.5	14809	406	128	2.45			4.1	12912	354	128	2.80	2.2	21661	658	114	0.85	GR167R97 GRF167R97	4P	11	4424	127.68			26	0.90	GR107 GRF107			4P	2.5					19060					579					114					0.95					2.8			16855			512	114	1.05	3.3	14353	436	114	1.25	3.8	12444	378	114	1.45	4.3	11127	338	114	1.60	4.7	10139	308	114	1.80	5.1	9217	280	114	1.95	3.1	15275	464	42	0.85	GR147R87 GRF147R87															4P	18	2723	78.57	32	1.50	3.4	14057	427	55	0.90	4.0	11950	363	61	1.10	4.5	10534	320	63	1.25	5.1	9250	281	65	1.40	5.8	8164	248	67	1.60	6.9	6913	210	68	1.90	7.8	6090	185	68	2.15	3.6	13967	201.53	128	2.50					GR177 GRF177					8P			20			2501		72.17				21			1.15	GR97 GRF97	4P	3.9	12706	183.34	128	2.75	4.4	11406	164.59	128			3.05	3.1	16043			231.49			114			1.05	GR167 GRF167	8P	22	2260	65.21	23	1.25	3.8	12970	187.15	114	1.30	4.7	10511	151.66	114	1.60	5.1	9716	140.20	114	1.75	5.9	8498			122.62	114	2.00	4.4	11332	163.51					61			1.10	GR147 GRF147	8P	24	2076	59.92	23	1.35	4.9	10170	146.74	63	1.20	6.0	8262	119.22	66	1.45	6.6	7533	108.69	67	1.60		5.9	8499		163.51	66	1.45	6.5	7627	146.74					67			1.60	GR147 GRF147	6P	27	1844	53.21	22	1.55	8.1	6197	119.22	68	2.00	8.8	5649	108.69	69	2.20	10	4926	94.77	69	2.50			12	4333	83.37	70	2.80	5.6	8897	128.38	42							0.85	GR137 GRF137	8P	30	1649	47.58	22	1.70			6.3	7894	113.90	50	0.95	7.0	7163	103.36	51	1.05	8.1			6158	88.85			53	1.20	5.5	9079	174.68	41	0.85	6.1	8138			156.56			49					0.95	GR137 GRF137	6P	34			1482	42.78	21	1.90	6.8	7347	141.35			51	1.05	7.5	6673	128.38	53	1.15	8.4			5920	113.90	54	1.30	9.3			5372	103.36	55			1.40	6.5	7726					222.96	50	1.00	GR137 GRF137	4P	39	1287	37.13	21	2.20	7.6	6541	188.75	53	1.15			8.2	6053	174.68	54	1.25	9.2	5425	156.56	55	1.40	10	4898	141.35	55	1.55			11	4449	128.38	56	1.70			13	3947	113.90	56	1.90			45	1111	32.05	20	2.20	GR87 GRF87	4P	53	942	27.19	19	2.60	58	867	25.03	19	3.10	64	775	22.37	18	3.30	71	698	20.14	17	3.50	79	632	18.24	17	3.70	89	560	16.17	16	4.00	30	1656	47.79	15	0.90	34	1453	41.92	16	1.00	39	1282	37.00	16	1.15	44	1137	32.80	16	1.30	51	970	28.00	15	1.45	52	969	27.96	15	1.50	61	815	23.51	15	1.80	67	748	21.60	14	1.90	75	665	19.18	14	2.00	84	594	17.15	14	2.20	93	534	15.42	13	2.40	108	464	13.38	13	2.60	120	415	11.98	12	2.80	145	344	9.94	12	3.20	158	317	9.14	12	3.60	175	285	8.22	11	3.80	202	247	7.13	11	4.10	77	651	18.80	8.8	1.15	81	617	17.82	8.9	1.20	92	541	15.60	8.7	1.30	102	487	14.05	8.5	1.40	117	427	12.33	8.3	1.50	132	377	10.88	8.0	1.65	149	334	9.64	7.8	1.80	168	298	8.59	7.7	2.00	186	268	7.74
3.5	14809	406	128	2.45			4.1	12912	354	128	2.80			2.2	21661	658	114	0.85	GR167R97 GRF167R97	4P	11	4424	127.68			26	0.90	GR107 GRF107			4P	2.5					19060					579					114					0.95					2.8		16855	512		114			1.05	3.3	14353	436	114	1.25	3.8	12444	378	114	1.45	4.3	11127	338	114	1.60	4.7	10139	308	114	1.80	5.1	9217	280	114	1.95	3.1	15275	464	42	0.85	GR147R87 GRF147R87	4P	18	2723	78.57								32	1.50								3.4	14057	427	55	0.90	4.0	11950	363	61	1.10	4.5	10534	320	63	1.25	5.1	9250	281	65	1.40	5.8	8164	248	67	1.60	6.9	6913	210	68	1.90	7.8	6090	185	68	2.15	3.6	13967	201.53	128	2.50	GR177 GRF177	8P	20	2501	72.17			21					1.15					GR97 GRF97			4P		3.9				12706			183.34			128	2.75	4.4	11406	164.59	128	3.05	3.1	16043	231.49	114	1.05	GR167 GRF167	8P			22			2260			65.21			23	1.25	3.8	12970	187.15	114	1.30	4.7	10511	151.66	114	1.60	5.1	9716	140.20	114	1.75	5.9	8498	122.62	114	2.00	4.4	11332	163.51	61	1.10	GR147 GRF147	8P	24					2076			59.92			23	1.35	4.9	10170	146.74	63	1.20	6.0	8262	119.22	66	1.45	6.6	7533	108.69	67	1.60	5.9	8499	163.51	66	1.45	6.5	7627	146.74	67	1.60	GR147 GRF147	6P	27					1844			53.21			22	1.55	8.1	6197	119.22	68	2.00	8.8	5649	108.69	69	2.20	10	4926	94.77	69	2.50	12	4333	83.37	70	2.80	5.6	8897	128.38	42	0.85	GR137 GRF137	8P	30	1649							47.58			22	1.70	6.3	7894	113.90			50	0.95	7.0	7163	103.36	51	1.05	8.1	6158	88.85	53	1.20	5.5	9079	174.68			41	0.85	6.1	8138	156.56	49	0.95	GR137 GRF137	6P			34			1482					42.78			21			1.90	6.8	7347	141.35	51	1.05	7.5			6673	128.38	53	1.15	8.4	5920	113.90	54			1.30	9.3	5372	103.36	55			1.40	6.5	7726			222.96	50	1.00					GR137 GRF137	4P	39			1287	37.13	21	2.20	7.6	6541	188.75	53	1.15	8.2			6053	174.68	54	1.25	9.2	5425	156.56	55	1.40	10	4898	141.35	55	1.55	11			4449	128.38	56	1.70	13			3947	113.90	56	1.90	45			1111	32.05	20	2.20	GR87 GRF87			4P	53	942	27.19	19	2.60	58	867	25.03	19	3.10	64	775	22.37	18	3.30	71	698	20.14	17	3.50	79	632	18.24	17	3.70	89	560	16.17	16	4.00	30	1656	47.79	15	0.90	34	1453	41.92	16	1.00	39	1282	37.00	16	1.15	44	1137	32.80	16	1.30	51	970	28.00	15	1.45	52	969	27.96	15	1.50	61	815	23.51	15	1.80	67	748	21.60	14	1.90	75	665	19.18	14	2.00	84	594	17.15	14	2.20	93	534	15.42	13	2.40	108	464	13.38	13	2.60	120	415	11.98	12	2.80	145	344	9.94	12	3.20	158	317	9.14	12	3.60	175	285	8.22	11	3.80	202	247	7.13	11	4.10	77	651	18.80	8.8	1.15	81	617	17.82	8.9	1.20	92	541	15.60	8.7	1.30	102	487	14.05	8.5	1.40	117	427	12.33	8.3	1.50	132	377	10.88	8.0	1.65	149	334	9.64	7.8	1.80	168	298	8.59	7.7	2.00	186	268
4.1	12912	354	128	2.80			2.2	21661	658	114	0.85			GR167R97 GRF167R97	4P	11	4424	127.68			26	0.90	GR107 GRF107			4P	2.5					19060					579					114					0.95					2.8		16855	512		114		1.05	3.3		14353	436	114	1.25	3.8	12444	378	114	1.45	4.3	11127	338	114	1.60	4.7	10139	308	114	1.80	5.1	9217	280	114	1.95	3.1	15275	464	42	0.85	GR147R87 GRF147R87	4P	18	2723	78.57			32	1.50	3.4							14057	427	55	0.90							4.0	11950	363	61	1.10	4.5	10534	320	63	1.25	5.1	9250	281	65	1.40	5.8	8164	248	67	1.60	6.9	6913	210	68	1.90	7.8	6090	185	68	2.15	3.6	13967	201.53	128	2.50	GR177 GRF177	8P	20	2501	72.17			21	1.15	GR97 GRF97			4P	3.9				12706	183.34									128				2.75			4.4			11406	164.59	128	3.05	3.1	16043	231.49	114	1.05	GR167 GRF167	8P	22			2260	65.21	23			1.25			3.8			12970	187.15	114	1.30	4.7	10511	151.66	114	1.60	5.1	9716	140.20	114	1.75	5.9	8498	122.62	114	2.00	4.4	11332	163.51	61	1.10	GR147 GRF147	8P	24			2076		59.92	23		1.35			4.9			10170	146.74	63	1.20	6.0	8262	119.22	66	1.45	6.6	7533	108.69	67	1.60	5.9	8499	163.51	66	1.45	6.5	7627	146.74	67	1.60	GR147 GRF147	6P	27			1844		53.21	22		1.55			8.1			6197	119.22	68	2.00	8.8	5649	108.69	69	2.20	10	4926	94.77	69	2.50	12	4333	83.37	70	2.80	5.6	8897	128.38	42	0.85	GR137 GRF137	8P	30			1649	47.58			22	1.70			6.3			7894	113.90	50	0.95	7.0			7163	103.36	51	1.05	8.1	6158	88.85	53	1.20	5.5	9079	174.68	41	0.85	6.1			8138	156.56	49	0.95	GR137 GRF137	6P	34			1482	42.78	21			1.90					6.8			7347			141.35	51	1.05	7.5	6673	128.38	53			1.15	8.4	5920	113.90	54	1.30	9.3	5372			103.36	55	1.40	6.5	7726			222.96	50	1.00			GR137 GRF137	4P	39							1287			37.13	21	2.20	7.6	6541	188.75	53	1.15	8.2	6053			174.68	54	1.25	9.2	5425	156.56	55	1.40	10	4898	141.35	55	1.55	11	4449			128.38	56	1.70	13	3947			113.90	56	1.90	45	1111			32.05	20	2.20	GR87 GRF87					4P	53	942	27.19	19	2.60	58	867	25.03	19	3.10	64	775	22.37	18	3.30	71	698	20.14	17	3.50	79	632	18.24	17	3.70	89	560	16.17	16	4.00	30	1656	47.79	15	0.90	34	1453	41.92	16	1.00	39	1282	37.00	16	1.15	44	1137	32.80	16	1.30	51	970	28.00	15	1.45	52	969	27.96	15	1.50	61	815	23.51	15	1.80	67	748	21.60	14	1.90	75	665	19.18	14	2.00	84	594	17.15	14	2.20	93	534	15.42	13	2.40	108	464	13.38	13	2.60	120	415	11.98	12	2.80	145	344	9.94	12	3.20	158	317	9.14	12	3.60	175	285	8.22	11	3.80	202	247	7.13	11	4.10	77	651	18.80	8.8	1.15	81	617	17.82	8.9	1.20	92	541	15.60	8.7	1.30	102	487	14.05	8.5	1.40	117	427	12.33	8.3	1.50	132	377	10.88	8.0	1.65	149	334	9.64	7.8	1.80	168	298	8.59	7.7	2.00	186
2.2	21661	658	114	0.85			GR167R97 GRF167R97	4P	11	4424	127.68					26	0.90	GR107 GRF107			4P																																																																																																																																																																																																																																																																																																																																																																																																																																																																																																																																																																																																																																				
2.5	19060	579	114	0.95	2.8	16855			512	114	1.05	3.3	14353			436	114					1.25					3.8					12444					378					114		1.45	4.3		11127		338	114		1.60	4.7	10139	308	114	1.80	5.1	9217	280	114	1.95	3.1	15275	464	42	0.85	GR147R87 GRF147R87	4P	18	2723	78.57	32	1.50	3.4	14057	427	55	0.90	4.0	11950	363	61	1.10	4.5	10534	320	63	1.25	5.1			9250	281	65			1.40	5.8	8164					248	67	1.60	6.9	6913	210	68	1.90					7.8	6090	185	68	2.15	3.6	13967	201.53	128	2.50	GR177 GRF177	8P	20	2501	72.17	21	1.15	GR97 GRF97	4P	3.9	12706	183.34	128	2.75	4.4	11406	164.59	128	3.05	3.1	16043	231.49	114	1.05	GR167 GRF167			8P	22	2260	65.21	23	1.25	3.8					12970	187.15			114	1.30	4.7								10511				151.66			114			1.60	5.1	9716	140.20	114	1.75	5.9	8498	122.62			114			2.00	4.4	11332	163.51	61	1.10	GR147 GRF147	8P	24			2076	59.92	23	1.35	4.9	10170	146.74	63	1.20	6.0	8262	119.22	66	1.45	6.6	7533	108.69	67	1.60	5.9	8499	163.51	66	1.45			6.5			7627	146.74	67	1.60	GR147 GRF147	6P	27	1844	53.21			22	1.55	8.1	6197	119.22	68	2.00	8.8	5649	108.69	69	2.20	10	4926	94.77	69	2.50	12	4333	83.37	70	2.80	5.6	8897			128.38			42	0.85	GR137 GRF137	8P	30	1649	47.58	22	1.70			6.3	7894	113.90	50	0.95	7.0	7163	103.36	51	1.05	8.1	6158	88.85	53	1.20	5.5	9079	174.68	41	0.85	6.1	8138	156.56	49			0.95			GR137 GRF137	6P	34	1482	42.78	21	1.90	6.8	7347			141.35	51	1.05	7.5	6673	128.38	53	1.15	8.4	5920	113.90	54	1.30	9.3	5372	103.36	55	1.40	6.5	7726	222.96	50	1.00	GR137 GRF137	4P	39	1287	37.13			21			2.20	7.6	6541	188.75	53	1.15			8.2	6053	174.68			54	1.25	9.2	5425	156.56	55	1.40	10	4898	141.35			55	1.55	11	4449	128.38	56	1.70	13	3947	113.90	56	1.90	45	1111	32.05			20	2.20	GR87 GRF87					4P							53			942	27.19	19	2.60	58	867	25.03	19	3.10	64			775	22.37	18	3.30	71	698	20.14	17	3.50	79	632	18.24	17	3.70	89			560	16.17	16	4.00	30			1656	47.79	15	0.90	34			1453	41.92	16							1.00	39	1282	37.00	16	1.15	44	1137	32.80	16	1.30	51	970	28.00	15	1.45	52	969	27.96	15	1.50	61	815	23.51	15	1.80	67	748	21.60	14	1.90	75	665	19.18	14	2.00	84	594	17.15	14	2.20	93	534	15.42	13	2.40	108	464	13.38	13	2.60	120	415	11.98	12	2.80	145	344	9.94	12	3.20	158	317	9.14	12	3.60	175	285	8.22	11	3.80	202	247	7.13	11	4.10	77	651	18.80	8.8	1.15	81	617	17.82	8.9	1.20	92	541	15.60	8.7	1.30	102	487	14.05	8.5	1.40	117	427	12.33	8.3	1.50	132	377	10.88	8.0	1.65	149	334	9.64	7.8	1.80	168	298	8.59	7.7	2.00	186	268	7.74	7.5	2.20	212	235	6.79	7.2	2.30	240	208	5.99	7.0	2.50	271	184	5.31	6.7	2.60																				
2.8	16855	512	114	1.05	3.3	14353			436	114	1.25	3.8	12444			378	114					1.45					4.3					11127					338		114	1.60		4.7		10139	308		114	1.80	5.1	9217	280	114	1.95	3.1	15275	464	42	0.85	GR147R87 GRF147R87	4P	18	2723	78.57	32	1.50	3.4	14057			427	55	0.90	4.0	11950	363	61	1.10	4.5	10534	320	63	1.25	5.1	9250	281	65	1.40	5.8	8164	248			67	1.60	6.9			6913	210	68				1.90	7.8	6090	185	68	2.15	3.6	13967	201.53	128				2.50	GR177 GRF177	8P	20	2501	72.17	21	1.15	GR97 GRF97	4P			3.9	12706	183.34	128	2.75			4.4	11406	164.59	128	3.05	3.1	16043	231.49	114	1.05	GR167 GRF167	8P	22	2260	65.21		23	1.25		3.8	12970	187.15	114	1.30	4.7		10511	151.66		114	1.60			5.1	9716	140.20								114				1.75			5.9			8498	122.62	114	2.00	4.4	11332	163.51	61	1.10			GR147 GRF147			8P	24	2076	59.92	23	1.35			4.9	10170	146.74	63	1.20	6.0	8262	119.22	66	1.45	6.6	7533	108.69	67	1.60	5.9	8499	163.51	66	1.45	6.5	7627	146.74	67	1.60	GR147 GRF147	6P			27			1844	53.21	22	1.55			8.1	6197	119.22	68	2.00	8.8	5649	108.69	69	2.20	10	4926	94.77	69	2.50	12	4333	83.37	70	2.80	5.6	8897	128.38	42	0.85	GR137 GRF137	8P	30	1649			47.58			22	1.70			6.3	7894	113.90	50	0.95	7.0	7163	103.36	51	1.05	8.1	6158	88.85	53	1.20	5.5	9079	174.68	41	0.85	6.1	8138	156.56	49	0.95	GR137 GRF137	6P	34	1482	42.78	21			1.90					6.8	7347	141.35	51	1.05	7.5	6673	128.38	53	1.15	8.4	5920	113.90	54	1.30	9.3	5372	103.36	55	1.40	6.5	7726	222.96	50	1.00	GR137 GRF137	4P	39	1287	37.13	21	2.20			7.6	6541	188.75			53			1.15	8.2	6053	174.68	54	1.25	9.2	5425	156.56	55	1.40	10	4898	141.35	55	1.55	11	4449	128.38	56	1.70	13	3947			113.90	56	1.90	45	1111	32.05	20	2.20	GR87 GRF87	4P	53	942	27.19	19	2.60			58	867									25.03	19			3.10			64	775	22.37	18	3.30	71	698	20.14	17	3.50			79	632	18.24	17	3.70	89	560	16.17	16	4.00	30	1656	47.79	15	0.90			34	1453	41.92	16	1.00			39	1282	37.00	16	1.15			44	1137	32.80							16	1.30	51	970	28.00	15	1.45	52	969	27.96	15	1.50	61	815	23.51	15	1.80	67	748	21.60	14	1.90	75	665	19.18	14	2.00	84	594	17.15	14	2.20	93	534	15.42	13	2.40	108	464	13.38	13	2.60	120	415	11.98	12	2.80	145	344	9.94	12	3.20	158	317	9.14	12	3.60	175	285	8.22	11	3.80	202	247	7.13	11	4.10	77	651	18.80	8.8	1.15	81	617	17.82	8.9	1.20	92	541	15.60	8.7	1.30	102	487	14.05	8.5	1.40	117	427	12.33	8.3	1.50	132	377	10.88	8.0	1.65	149	334	9.64	7.8	1.80	168	298	8.59	7.7	2.00	186	268	7.74	7.5	2.20	212	235	6.79	7.2	2.30	240	208	5.99	7.0	2.50	271	184	5.31	6.7	2.60																													
3.3	14353	436	114	1.25	3.8	12444			378	114	1.45	4.3	11127			338	114					1.60					4.7					10139		308	114		1.80		5.1	9217		280	114	1.95	3.1	15275	464	42	0.85	GR147R87 GRF147R87	4P	18	2723	78.57	32	1.50	3.4	14057			427	55	0.90	4.0	11950	363	61			1.10	4.5	10534	320	63	1.25	5.1	9250	281	65	1.40	5.8	8164	248	67	1.60	6.9	6913	210	68	1.90			7.8	6090	185			68	2.15	3.6			13967	201.53	128	2.50	GR177 GRF177	8P	20	2501	72.17	21	1.15	GR97 GRF97			4P			3.9	12706	183.34	128	2.75					4.4	11406	164.59	128	3.05			3.1	16043	231.49	114	1.05	GR167 GRF167	8P	22	2260	65.21			23	1.25	3.8		12970	187.15		114	1.30	4.7	10511	151.66	114		1.60	5.1		9716	140.20	114	1.75	5.9	8498	122.62								114				2.00			4.4			11332	163.51	61	1.10	GR147 GRF147	8P	24	2076	59.92				23	1.35		4.9	10170	146.74	63	1.20			6.0	8262	119.22	66	1.45	6.6	7533	108.69	67	1.60	5.9	8499	163.51	66	1.45	6.5	7627	146.74	67	1.60	GR147 GRF147	6P	27	1844	53.21					22	1.55	8.1	6197	119.22	68	2.00			8.8	5649	108.69	69	2.20	10	4926	94.77	69	2.50	12	4333	83.37	70	2.80	5.6	8897	128.38	42	0.85	GR137 GRF137	8P	30	1649	47.58			22	1.70			6.3	7894	113.90	50	0.95			7.0	7163	103.36	51	1.05	8.1	6158	88.85	53	1.20	5.5	9079	174.68	41	0.85	6.1	8138	156.56	49	0.95	GR137 GRF137	6P	34	1482	42.78			21	1.90	6.8	7347			141.35	51	1.05			7.5	6673	128.38	53	1.15	8.4	5920	113.90	54	1.30	9.3	5372	103.36	55	1.40	6.5	7726	222.96	50	1.00	GR137 GRF137	4P	39	1287	37.13			21	2.20	7.6	6541	188.75			53	1.15	8.2			6053	174.68	54	1.25	9.2	5425	156.56	55	1.40	10	4898	141.35	55	1.55	11	4449	128.38	56	1.70	13	3947	113.90	56	1.90	45	1111	32.05	20	2.20	GR87 GRF87	4P	53	942	27.19	19	2.60			58	867	25.03	19	3.10			64	775									22.37	18			3.30			71	698	20.14	17	3.50	79	632	18.24	17	3.70	89	560	16.17	16	4.00	30	1656	47.79	15	0.90	34	1453	41.92	16	1.00	39	1282			37.00	16	1.15	44	1137			32.80	16	1.30	51	970			28.00	15	1.45							52	969	27.96	15	1.50	61	815	23.51	15	1.80	67	748	21.60	14	1.90	75	665	19.18	14	2.00	84	594	17.15	14	2.20	93	534	15.42	13	2.40	108	464	13.38	13	2.60	120	415	11.98	12	2.80	145	344	9.94	12	3.20	158	317	9.14	12	3.60	175	285	8.22	11	3.80	202	247	7.13	11	4.10	77	651	18.80	8.8	1.15	81	617	17.82	8.9	1.20	92	541	15.60	8.7	1.30	102	487	14.05	8.5	1.40	117	427	12.33	8.3	1.50	132	377	10.88	8.0	1.65	149	334	9.64	7.8	1.80	168	298	8.59	7.7	2.00	186	268	7.74	7.5	2.20	212	235	6.79	7.2	2.30	240	208	5.99	7.0	2.50	271	184	5.31	6.7	2.60																																				
3.8	12444	378	114	1.45	4.3	11127			338	114	1.60	4.7	10139			308	114					1.80					5.1		9217	280		114		1.95	3.1		15275	464	42	0.85	GR147R87 GRF147R87	4P	18	2723	78.57	32	1.50	3.4	14057			427	55	0.90	4.0	11950	363	61			1.10	4.5	10534	320	63	1.25	5.1			9250	281	65	1.40	5.8	8164	248	67	1.60	6.9	6913	210	68	1.90	7.8	6090	185	68	2.15	3.6	13967			201.53	128	2.50			GR177 GRF177	8P	20		2501	72.17	21	1.15	GR97 GRF97			4P	3.9	12706	183.34	128		2.75					4.4	11406	164.59	128	3.05			3.1	16043	231.49	114	1.05	GR167 GRF167	8P			22	2260	65.21	23	1.25			3.8	12970	187.15			114	1.30	4.7		10511	151.66		114	1.60	5.1	9716	140.20	114		1.75	5.9		8498	122.62	114	2.00	4.4	11332	163.51	61	1.10						GR147 GRF147				8P			24			2076	59.92	23	1.35			4.9	10170	146.74	63	1.20		6.0	8262		119.22	66	1.45	6.6	7533			108.69	67	1.60	5.9	8499	163.51	66	1.45	6.5	7627	146.74	67	1.60	GR147 GRF147	6P	27	1844	53.21	22	1.55			8.1	6197	119.22			68	2.00	8.8	5649	108.69	69	2.20	10	4926			94.77	69	2.50	12	4333	83.37	70	2.80	5.6	8897	128.38	42	0.85	GR137 GRF137	8P	30	1649	47.58	22	1.70			6.3	7894	113.90			50	0.95	7.0	7163	103.36	51	1.05	8.1	6158			88.85	53	1.20	5.5	9079	174.68	41	0.85	6.1	8138	156.56	49	0.95	GR137 GRF137	6P	34	1482	42.78	21	1.90			6.8	7347	141.35			51	1.05	7.5	6673	128.38	53	1.15	8.4	5920			113.90	54	1.30	9.3	5372	103.36	55	1.40	6.5	7726	222.96	50	1.00	GR137 GRF137	4P	39	1287	37.13	21	2.20			7.6	6541	188.75			53	1.15	8.2	6053	174.68			54	1.25	9.2	5425	156.56	55	1.40	10	4898	141.35	55	1.55	11	4449	128.38	56	1.70	13	3947	113.90	56	1.90	45	1111	32.05	20	2.20	GR87 GRF87	4P	53	942	27.19	19	2.60			58	867	25.03	19	3.10			64	775	22.37	18	3.30	71	698	20.14	17									3.50	79			632			18.24	17	3.70	89	560	16.17	16	4.00	30	1656	47.79	15	0.90	34	1453	41.92	16	1.00	39	1282	37.00	16	1.15	44	1137	32.80	16	1.30	51	970	28.00	15	1.45	52			969	27.96	15	1.50	61			815	23.51	15							1.80	67	748	21.60	14	1.90	75	665	19.18	14	2.00	84	594	17.15	14	2.20	93	534	15.42	13	2.40	108	464	13.38	13	2.60	120	415	11.98	12	2.80	145	344	9.94	12	3.20	158	317	9.14	12	3.60	175	285	8.22	11	3.80	202	247	7.13	11	4.10	77	651	18.80	8.8	1.15	81	617	17.82	8.9	1.20	92	541	15.60	8.7	1.30	102	487	14.05	8.5	1.40	117	427	12.33	8.3	1.50	132	377	10.88	8.0	1.65	149	334	9.64	7.8	1.80	168	298	8.59	7.7	2.00	186	268	7.74	7.5	2.20	212	235	6.79	7.2	2.30	240	208	5.99	7.0	2.50	271	184	5.31	6.7	2.60																																													
4.3	11127	338	114	1.60	4.7	10139			308	114	1.80	5.1	9217			280	114					1.95		3.1	15275		464		42	0.85		GR147R87 GRF147R87	4P	18	2723	78.57	32	1.50	3.4	14057			427	55	0.90	4.0	11950	363	61			1.10	4.5	10534	320	63	1.25	5.1			9250	281	65	1.40	5.8	8164	248			67	1.60	6.9	6913	210	68	1.90	7.8	6090	185	68	2.15	3.6	13967	201.53	128	2.50	GR177 GRF177	8P	20	2501			72.17	21	1.15					GR97 GRF97	4P	3.9	12706	183.34	128					2.75	4.4	11406	164.59		128	3.05		3.1	16043	231.49	114	1.05	GR167 GRF167	8P			22	2260	65.21	23	1.25					3.8	12970	187.15	114	1.30			4.7	10511	151.66			114	1.60	5.1		9716	140.20		114	1.75	5.9	8498	122.62	114		2.00	4.4		11332	163.51	61	1.10	GR147 GRF147	8P	24	2076	59.92		23	1.35										4.9			10170	146.74	63	1.20			6.0	8262	119.22	66	1.45		6.6	7533		108.69	67	1.60	5.9	8499			163.51	66	1.45	6.5	7627	146.74	67	1.60	GR147 GRF147	6P	27	1844	53.21			22	1.55	8.1	6197	119.22			68	2.00	8.8			5649	108.69	69	2.20	10	4926	94.77	69	2.50			12	4333	83.37	70	2.80	5.6	8897	128.38	42	0.85	GR137 GRF137	8P	30			1649	47.58	22	1.70	6.3			7894	113.90	50			0.95	7.0	7163	103.36	51	1.05	8.1	6158	88.85			53	1.20	5.5	9079	174.68	41	0.85	6.1	8138	156.56	49	0.95	GR137 GRF137			6P	34	1482	42.78	21			1.90	6.8	7347			141.35	51	1.05	7.5	6673	128.38	53	1.15	8.4			5920	113.90	54	1.30	9.3	5372	103.36	55	1.40	6.5	7726	222.96	50			1.00	GR137 GRF137	4P	39	1287			37.13	21	2.20			7.6	6541	188.75	53	1.15			8.2	6053	174.68	54	1.25	9.2	5425	156.56	55	1.40	10	4898	141.35	55	1.55	11	4449	128.38	56	1.70	13	3947	113.90	56	1.90	45	1111			32.05	20	2.20	GR87 GRF87	4P			53	942	27.19	19	2.60			58	867	25.03	19	3.10	64	775	22.37	18		3.30	71						698	20.14			17			3.50	79	632	18.24	17	3.70	89	560	16.17	16	4.00	30	1656	47.79	15	0.90	34	1453	41.92	16	1.00	39	1282	37.00	16	1.15	44	1137	32.80	16	1.30	51	970	28.00	15	1.45	52	969	27.96	15	1.50			61	815	23.51							15	1.80	67	748	21.60	14	1.90	75	665	19.18	14	2.00	84	594	17.15	14	2.20	93	534	15.42	13	2.40	108	464	13.38	13	2.60	120	415	11.98	12	2.80	145	344	9.94	12	3.20	158	317	9.14	12	3.60	175	285	8.22	11	3.80	202	247	7.13	11	4.10	77	651	18.80	8.8	1.15	81	617	17.82	8.9	1.20	92	541	15.60	8.7	1.30	102	487	14.05	8.5	1.40	117	427	12.33	8.3	1.50	132	377	10.88	8.0	1.65	149	334	9.64	7.8	1.80	168	298	8.59	7.7	2.00	186	268	7.74	7.5	2.20	212	235	6.79	7.2	2.30	240	208	5.99	7.0	2.50	271	184	5.31	6.7	2.60																																												
4.7	10139	308	114	1.80	5.1	9217			280	114	1.95	3.1	15275			464	42		0.85	GR147R87 GRF147R87		4P		18	2723		78.57	32	1.50	3.4	14057			427	55	0.90	4.0	11950	363	61			1.10	4.5	10534	320	63	1.25	5.1			9250	281	65	1.40	5.8	8164	248			67	1.60	6.9	6913	210	68	1.90			7.8	6090	185	68	2.15	3.6	13967	201.53	128	2.50	GR177 GRF177	8P	20	2501	72.17	21	1.15			GR97 GRF97	4P			3.9	12706	183.34	128	2.75					4.4	11406	164.59	128		3.05	3.1		16043	231.49	114	1.05		GR167 GRF167	8P		22	2260	65.21	23	1.25					3.8	12970	187.15	114	1.30					4.7	10511	151.66	114	1.60			5.1	9716	140.20			114	1.75	5.9	8498	122.62	114	2.00	4.4	11332	163.51	61	1.10	GR147 GRF147		8P	24		2076	59.92	23	1.35			4.9	10170	146.74		63	1.20		6.0			8262					119.22			66	1.45	6.6	7533			108.69	67	1.60	5.9	8499		163.51	66		1.45	6.5	7627	146.74	67	1.60	GR147 GRF147	6P	27	1844	53.21	22	1.55	8.1	6197			119.22	68	2.00			8.8	5649	108.69	69	2.20			10	4926	94.77			69	2.50	12	4333	83.37	70	2.80	5.6	8897	128.38	42	0.85	GR137 GRF137	8P	30	1649	47.58	22	1.70	6.3	7894			113.90			50	0.95	7.0	7163	103.36			51	1.05	8.1			6158	88.85	53	1.20	5.5	9079	174.68	41	0.85	6.1	8138	156.56	49	0.95	GR137 GRF137	6P	34	1482	42.78	21	1.90	6.8	7347					141.35	51	1.05	7.5			6673	128.38	53			1.15	8.4	5920	113.90	54	1.30	9.3	5372	103.36	55	1.40	6.5	7726	222.96	50	1.00	GR137 GRF137	4P	39	1287	37.13	21	2.20	7.6			6541			188.75	53			1.15	8.2	6053			174.68	54	1.25	9.2	5425			156.56	55	1.40	10	4898	141.35	55	1.55	11	4449	128.38	56	1.70	13	3947	113.90	56	1.90	45	1111	32.05	20	2.20	GR87 GRF87	4P	53	942			27.19	19	2.60					58	867	25.03	19	3.10			64	775	22.37	18	3.30	71	698	20.14	17		3.50	79				632	18.24	17	3.70			89			560	16.17	16	4.00	30	1656	47.79	15	0.90	34	1453	41.92	16	1.00	39	1282	37.00	16	1.15	44	1137	32.80	16	1.30	51	970	28.00	15	1.45	52	969	27.96	15	1.50	61	815	23.51	15	1.80	67	748	21.60	14	1.90	75	665							19.18	14	2.00	84	594	17.15	14	2.20	93	534	15.42	13	2.40	108	464	13.38	13	2.60	120	415	11.98	12	2.80	145	344	9.94	12	3.20	158	317	9.14	12	3.60	175	285	8.22	11	3.80	202	247	7.13	11	4.10	77	651	18.80	8.8	1.15	81	617	17.82	8.9	1.20	92	541	15.60	8.7	1.30	102	487	14.05	8.5	1.40	117	427	12.33	8.3	1.50	132	377	10.88	8.0	1.65	149	334	9.64	7.8	1.80	168	298	8.59	7.7	2.00	186	268	7.74	7.5	2.20	212	235	6.79	7.2	2.30	240	208	5.99	7.0	2.50	271	184	5.31	6.7	2.60																																																					
5.1	9217	280	114	1.95	3.1	15275			464	42	0.85	GR147R87 GRF147R87	4P	18	2723	78.57	32		1.50				3.4	14057	427	55	0.90	4.0	11950	363	61			1.10	4.5	10534	320	63	1.25	5.1			9250	281	65	1.40	5.8	8164	248			67	1.60	6.9	6913	210	68	1.90			7.8	6090	185	68	2.15	3.6	13967			201.53	128	2.50	GR177 GRF177	8P	20	2501	72.17	21	1.15			GR97 GRF97	4P	3.9	12706	183.34					128	2.75	4.4	11406	164.59	128	3.05	3.1	16043			231.49	114	1.05	GR167 GRF167		8P	22		2260	65.21	23	1.25					3.8	12970	187.15	114	1.30					4.7	10511	151.66	114	1.60					5.1	9716	140.20	114	1.75			5.9	8498	122.62	114	2.00	4.4	11332	163.51	61	1.10	GR147 GRF147	8P	24	2076	59.92	23	1.35				4.9		10170	146.74	63	1.20			6.0	8262	119.22		66	1.45		6.6		7533	108.69	67				1.60			5.9	8499	163.51	66			1.45	6.5	7627	146.74	67	1.60	GR147 GRF147	6P	27	1844	53.21	22	1.55	8.1	6197			119.22	68	2.00	8.8	5649	108.69	69			2.20	10	4926			94.77	69	2.50	12	4333			83.37	70	2.80	5.6	8897	128.38	42	0.85	GR137 GRF137	8P	30	1649	47.58	22	1.70	6.3	7894			113.90	50	0.95	7.0	7163	103.36	51			1.05			8.1	6158	88.85	53	1.20			5.5	9079	174.68	41	0.85	6.1	8138	156.56	49	0.95	GR137 GRF137	6P	34	1482	42.78	21	1.90	6.8	7347			141.35	51	1.05	7.5	6673	128.38	53					1.15	8.4	5920	113.90			54	1.30	9.3	5372	103.36	55	1.40	6.5	7726	222.96	50	1.00	GR137 GRF137	4P	39	1287	37.13	21	2.20	7.6	6541			188.75	53	1.15	8.2	6053	174.68			54			1.25	9.2			5425	156.56	55			1.40	10	4898	141.35	55			1.55	11	4449	128.38	56	1.70	13	3947	113.90	56	1.90	45	1111	32.05	20	2.20	GR87 GRF87	4P	53	942	27.19	19	2.60			58	867			25.03	19	3.10					64	775	22.37	18	3.30			71	698	20.14	17	3.50	79	632	18.24	17		3.70	89				560	16.17	16	4.00			30	1656	47.79	15	0.90	34	1453	41.92	16	1.00	39	1282	37.00	16	1.15	44	1137	32.80	16	1.30	51	970	28.00	15	1.45	52	969	27.96	15	1.50	61	815	23.51	15	1.80	67	748	21.60	14	1.90	75	665	19.18	14	2.00	84	594	17.15	14			2.20	93			534	15.42	13	2.40	108	464	13.38	13	2.60	120	415	11.98	12	2.80	145	344	9.94	12	3.20	158	317	9.14	12	3.60	175	285	8.22	11	3.80	202	247	7.13	11	4.10	77	651	18.80	8.8	1.15	81	617	17.82	8.9	1.20	92	541	15.60	8.7	1.30	102	487	14.05	8.5	1.40	117	427	12.33	8.3	1.50	132	377	10.88	8.0	1.65	149	334	9.64	7.8	1.80	168	298	8.59	7.7	2.00	186	268	7.74	7.5	2.20	212	235	6.79	7.2	2.30	240	208	5.99	7.0	2.50	271	184	5.31	6.7	2.60																																																														
3.1	15275	464	42	0.85	GR147R87 GRF147R87	4P	18	2723	78.57	32	1.50			3.4	14057	427	55	0.90	4.0		11950		363	61	1.10	4.5	10534	320	63	1.25	5.1			9250	281	65	1.40	5.8	8164	248			67	1.60	6.9	6913	210	68	1.90			7.8	6090	185	68	2.15	3.6	13967			201.53	128	2.50	GR177 GRF177	8P	20	2501			72.17	21	1.15			GR97 GRF97	4P	3.9	12706	183.34					128	2.75	4.4	11406	164.59			128	3.05	3.1	16043	231.49	114	1.05	GR167 GRF167	8P			22	2260	65.21				23		1.25	3.8	12970	187.15					114	1.30	4.7	10511	151.66					114	1.60	5.1	9716	140.20					114	1.75	5.9	8498	122.62	114	2.00	4.4	11332	163.51	61	1.10	GR147 GRF147	8P	24	2076	59.92			23	1.35	4.9	10170	146.74				63		1.20	6.0	8262	119.22			66	1.45	6.6		7533	108.69		67		1.60	5.9	8499		163.51	66	1.45			6.5	7627	146.74	67	1.60	GR147 GRF147	6P	27	1844	53.21	22	1.55			8.1	6197	119.22	68	2.00	8.8	5649			108.69	69	2.20	10	4926	94.77	69			2.50	12	4333			83.37	70	2.80	5.6	8897	128.38	42	0.85	GR137 GRF137	8P	30	1649	47.58	22	1.70			6.3	7894	113.90	50	0.95	7.0	7163			103.36	51	1.05	8.1	6158	88.85	53			1.20			5.5	9079	174.68	41	0.85	6.1	8138	156.56	49	0.95	GR137 GRF137	6P	34	1482	42.78	21	1.90			6.8	7347	141.35	51	1.05	7.5	6673			128.38	53	1.15	8.4	5920	113.90	54					1.30	9.3	5372	103.36	55	1.40	6.5	7726	222.96	50	1.00	GR137 GRF137	4P	39	1287	37.13	21	2.20			7.6	6541	188.75	53	1.15	8.2	6053			174.68	54	1.25	9.2	5425	156.56			55			1.40	10			4898	141.35	55			1.55	11	4449	128.38	56			1.70	13	3947	113.90	56	1.90	45	1111	32.05	20	2.20	GR87 GRF87	4P	53	942	27.19			19	2.60	58	867	25.03			19	3.10			64	775	22.37					18	3.30	71	698	20.14			17	3.50	79	632	18.24	17	3.70	89	560		16.17	16				4.00	30	1656	47.79	15	0.90	34	1453	41.92	16	1.00	39	1282	37.00	16	1.15	44	1137	32.80	16	1.30	51	970	28.00	15	1.45	52	969	27.96	15	1.50	61	815	23.51	15	1.80	67	748	21.60	14	1.90	75	665	19.18	14	2.00	84	594	17.15	14	2.20	93	534	15.42	13		2.40	108	464	13.38		13	2.60	120	415	11.98	12	2.80	145	344	9.94	12	3.20	158	317	9.14	12	3.60	175	285	8.22	11	3.80	202	247	7.13	11	4.10	77	651	18.80	8.8	1.15	81	617	17.82	8.9	1.20	92	541	15.60	8.7	1.30	102	487	14.05	8.5	1.40	117	427	12.33	8.3	1.50	132	377	10.88	8.0	1.65	149	334	9.64	7.8	1.80	168	298	8.59	7.7	2.00	186	268	7.74	7.5	2.20	212	235	6.79	7.2	2.30	240	208	5.99	7.0	2.50	271	184	5.31	6.7	2.60																																																																					
3.4	14057	427	55	0.90			4.0	11950	363	61	1.10			4.5	10534	320	63	1.25	5.1		9250		281	65	1.40	5.8	8164	248	67	1.60	6.9			6913	210	68	1.90	7.8	6090	185			68	2.15	3.6	13967	201.53	128	2.50			GR177 GRF177	8P	20	2501	72.17	21	1.15			GR97 GRF97	4P	3.9			12706	183.34	128	2.75	4.4	11406	164.59					128	3.05	3.1	16043	231.49			114	1.05	GR167 GRF167	8P	22			2260	65.21	23	1.25	3.8	12970	187.15					114	1.30	4.7				10511		151.66	114	1.60	5.1					9716	140.20	114	1.75	5.9					8498	122.62	114	2.00	4.4	11332	163.51			61	1.10	GR147 GRF147	8P	24	2076	59.92	23	1.35	4.9	10170	146.74			63	1.20	6.0			8262	119.22	66	1.45	6.6				7533		108.69	67	1.60	5.9			8499	163.51	66		1.45	6.5		7627	146.74	67	1.60	GR147 GRF147	6P	27	1844	53.21	22	1.55	8.1	6197	119.22	68	2.00			8.8	5649	108.69	69	2.20			10	4926	94.77	69	2.50	12	4333			83.37	70	2.80	5.6	8897	128.38	42			0.85	GR137 GRF137	8P	30	1649	47.58	22	1.70	6.3	7894	113.90	50	0.95			7.0	7163	103.36	51	1.05			8.1	6158	88.85	53	1.20	5.5	9079			174.68	41	0.85	6.1	8138	156.56	49			0.95	GR137 GRF137	6P	34	1482	42.78	21	1.90	6.8	7347	141.35	51	1.05			7.5	6673	128.38	53	1.15			8.4	5920	113.90	54	1.30	9.3	5372			103.36	55	1.40	6.5	7726	222.96	50		1.00	GR137 GRF137		4P	39	1287	37.13	21	2.20	7.6	6541	188.75	53	1.15			8.2	6053	174.68	54	1.25			9.2	5425	156.56	55	1.40	10	4898			141.35	55	1.55	11	4449	128.38			56			1.70	13			3947	113.90	56			1.90	45	1111	32.05	20			2.20	GR87 GRF87	4P	53	942	27.19	19	2.60	58	867	25.03			19	3.10	64			775	22.37	18	3.30	71			698	20.14			17	3.50	79					632	18.24	17	3.70	89			560	16.17	16	4.00	30	1656	47.79	15	0.90		34	1453	41.92	16		1.00	39	1282	37.00	16	1.15	44	1137	32.80	16	1.30	51	970	28.00	15	1.45	52	969	27.96	15	1.50	61	815	23.51	15	1.80	67	748	21.60	14	1.90	75	665	19.18	14	2.00	84	594	17.15	14	2.20	93	534	15.42	13	2.40	108	464	13.38	13	2.60	120	415	11.98	12	2.80	145	344	9.94	12	3.20	158	317	9.14	12	3.60	175	285	8.22	11	3.80	202	247	7.13	11	4.10	77	651	18.80	8.8	1.15	81	617	17.82	8.9	1.20	92	541	15.60	8.7	1.30	102	487	14.05	8.5	1.40	117	427	12.33	8.3	1.50	132	377	10.88	8.0	1.65	149	334	9.64	7.8	1.80	168	298	8.59	7.7	2.00	186	268	7.74	7.5	2.20	212	235	6.79	7.2	2.30	240	208	5.99	7.0	2.50	271	184	5.31	6.7	2.60																																																																																	
4.0	11950	363	61	1.10			4.5	10534	320	63	1.25			5.1	9250	281	65	1.40	5.8		8164		248	67	1.60	6.9	6913	210	68	1.90	7.8			6090	185	68	2.15	3.6	13967	201.53			128	2.50	GR177 GRF177	8P	20	2501	72.17					21	1.15	GR97 GRF97	4P	3.9	12706	183.34			128			2.75	4.4	11406	164.59	128	3.05	3.1	16043	231.49			114	1.05	GR167 GRF167	8P	22			2260	65.21			23			1.25	3.8	12970	187.15	114	1.30	4.7					10511	151.66	114				1.60		5.1	9716	140.20	114					1.75	5.9	8498	122.62	114	2.00	4.4			11332	163.51	61	1.10	GR147 GRF147	8P	24			2076	59.92			23	1.35	4.9	10170	146.74	63	1.20	6.0			8262	119.22	66			1.45	6.6	7533	108.69	67				1.60		5.9	8499	163.51	66	1.45	6.5	7627	146.74	67	1.60	GR147 GRF147	6P	27	1844	53.21	22	1.55			8.1	6197	119.22	68	2.00	8.8	5649	108.69	69	2.20			10	4926	94.77	69	2.50			12	4333	83.37	70	2.80	5.6	8897			128.38	42	0.85	GR137 GRF137	8P	30	1649	47.58	22	1.70			6.3	7894	113.90	50	0.95	7.0	7163	103.36	51	1.05			8.1	6158	88.85	53	1.20			5.5	9079	174.68	41	0.85	6.1	8138			156.56	49	0.95	GR137 GRF137	6P	34	1482	42.78	21	1.90			6.8	7347	141.35	51	1.05	7.5	6673	128.38	53	1.15			8.4	5920	113.90	54	1.30			9.3	5372	103.36	55	1.40	6.5	7726			222.96	50	1.00	GR137 GRF137	4P	39	1287	37.13	21		2.20		7.6	6541	188.75	53	1.15	8.2	6053	174.68	54	1.25			9.2	5425	156.56	55	1.40			10	4898	141.35	55	1.55	11	4449			128.38	56	1.70	13	3947	113.90			56			1.90	45			1111	32.05	20			2.20	GR87 GRF87	4P	53	942			27.19			19	2.60	58	867	25.03	19	3.10	64			775	22.37	18			3.30	71	698	20.14	17			3.50	79			632	18.24	17					3.70	89	560	16.17	16			4.00	30	1656	47.79	15	0.90	34	1453	41.92		16	1.00	39	1282		37.00	16	1.15	44	1137	32.80	16	1.30	51	970	28.00	15	1.45	52	969	27.96	15	1.50	61	815	23.51	15	1.80	67	748	21.60	14	1.90	75	665	19.18	14	2.00	84	594	17.15	14	2.20	93	534	15.42	13	2.40	108	464	13.38	13	2.60	120	415	11.98	12	2.80	145	344	9.94	12	3.20	158	317	9.14	12	3.60	175	285	8.22	11	3.80	202	247	7.13	11	4.10	77	651	18.80	8.8	1.15	81	617	17.82	8.9	1.20	92	541	15.60	8.7	1.30	102	487	14.05	8.5	1.40	117	427	12.33	8.3	1.50	132	377	10.88	8.0	1.65	149	334	9.64	7.8	1.80	168	298	8.59	7.7	2.00	186	268	7.74	7.5	2.20	212	235	6.79	7.2	2.30	240	208	5.99	7.0	2.50	271	184	5.31	6.7	2.60																																																																																				
4.5	10534	320	63	1.25			5.1	9250	281	65	1.40			5.8	8164	248	67	1.60	6.9		6913		210	68	1.90	7.8	6090	185	68	2.15	3.6			13967	201.53	128	2.50	GR177 GRF177	8P	20			2501	72.17			21	1.15	GR97 GRF97	4P	3.9			12706	183.34			128	2.75	4.4			11406	164.59	128	3.05	3.1	16043	231.49	114	1.05	GR167 GRF167	8P	22			2260	65.21			23			1.25	3.8			12970			187.15	114	1.30	4.7	10511	151.66	114					1.60	5.1	9716				140.20		114	1.75	5.9	8498		122.62	114		2.00	4.4	11332	163.51	61	1.10	GR147 GRF147			8P	24	2076	59.92			23			1.35	4.9			10170	146.74	63	1.20	6.0	8262	119.22	66			1.45	6.6	7533			108.69	67	1.60	5.9	8499	163.51	66	1.45	6.5	7627	146.74	67	1.60	GR147 GRF147	6P	27	1844	53.21	22	1.55			8.1	6197	119.22	68	2.00			8.8	5649	108.69	69	2.20	10	4926	94.77	69	2.50			12	4333	83.37	70	2.80			5.6	8897	128.38	42	0.85	GR137 GRF137	8P	30	1649	47.58	22	1.70			6.3	7894	113.90	50	0.95			7.0	7163	103.36	51	1.05	8.1	6158	88.85	53	1.20			5.5	9079	174.68	41	0.85			6.1	8138	156.56	49	0.95	GR137 GRF137	6P	34	1482	42.78	21	1.90			6.8	7347	141.35	51	1.05			7.5	6673	128.38	53	1.15	8.4	5920	113.90	54	1.30			9.3	5372	103.36	55	1.40			6.5	7726	222.96	50	1.00	GR137 GRF137	4P	39	1287	37.13	21	2.20			7.6	6541	188.75	53		1.15		8.2	6053	174.68	54	1.25	9.2	5425	156.56	55	1.40			10	4898	141.35	55	1.55			11	4449	128.38	56	1.70	13	3947			113.90	56	1.90	45	1111	32.05			20			2.20	GR87 GRF87			4P	53	942			27.19			19	2.60	58	867	25.03			19	3.10	64	775	22.37	18	3.30	71			698	20.14	17			3.50	79	632	18.24	17			3.70	89			560	16.17	16					4.00	30	1656	47.79	15			0.90	34	1453	41.92	16	1.00	39	1282	37.00	16	1.15	44	1137	32.80	16	1.30	51	970	28.00	15	1.45	52	969	27.96	15	1.50	61	815	23.51	15	1.80	67	748	21.60	14	1.90	75	665	19.18	14	2.00	84	594	17.15	14	2.20	93	534	15.42	13	2.40	108	464	13.38	13	2.60	120	415	11.98	12	2.80	145	344	9.94	12	3.20	158	317	9.14	12	3.60	175	285	8.22	11	3.80	202	247	7.13	11	4.10	77	651	18.80	8.8	1.15	81	617	17.82	8.9	1.20	92	541	15.60	8.7	1.30	102	487	14.05	8.5	1.40	117	427	12.33	8.3	1.50	132	377	10.88	8.0	1.65	149	334	9.64	7.8	1.80	168	298	8.59	7.7	2.00	186	268	7.74	7.5	2.20	212	235	6.79	7.2	2.30	240	208	5.99	7.0	2.50	271	184	5.31	6.7	2.60																																																																																											
5.1	9250	281	65	1.40			5.8	8164	248	67	1.60			6.9	6913	210	68	1.90	7.8		6090		185	68	2.15	3.6	13967	201.53	128	2.50	GR177 GRF177			8P	20	2501	72.17			21	1.15	GR97 GRF97	4P	3.9			12706	183.34			128	2.75	4.4	11406	164.59			128	3.05	3.1			16043	231.49	114	1.05	GR167 GRF167	8P	22	2260	65.21			23			1.25	3.8			12970			187.15	114			1.30			4.7	10511	151.66	114	1.60	5.1	9716					140.20	114	1.75	5.9		8498	122.62		114	2.00	4.4	11332		163.51	61		1.10	GR147 GRF147	8P	24	2076	59.92					23	1.35	4.9			10170			146.74	63			1.20	6.0	8262	119.22	66	1.45	6.6	7533			108.69	67	1.60	5.9	8499	163.51	66	1.45	6.5	7627	146.74	67	1.60	GR147 GRF147	6P	27	1844	53.21			22	1.55	8.1	6197	119.22			68	2.00	8.8	5649	108.69			69	2.20	10	4926	94.77	69	2.50	12	4333	83.37			70	2.80	5.6	8897	128.38	42	0.85	GR137 GRF137	8P	30	1649	47.58			22	1.70	6.3	7894	113.90			50	0.95	7.0	7163	103.36			51	1.05	8.1	6158	88.85	53	1.20	5.5	9079	174.68			41	0.85	6.1	8138	156.56	49	0.95	GR137 GRF137	6P	34	1482	42.78			21	1.90	6.8	7347	141.35			51	1.05	7.5	6673	128.38			53	1.15	8.4	5920	113.90	54	1.30	9.3	5372	103.36			55	1.40	6.5	7726	222.96	50	1.00	GR137 GRF137	4P	39	1287	37.13			21	2.20	7.6	6541	188.75			53	1.15	8.2	6053		174.68		54	1.25	9.2	5425	156.56	55	1.40	10	4898	141.35			55	1.55	11	4449	128.38			56	1.70	13	3947	113.90	56	1.90			45	1111	32.05	20	2.20	GR87 GRF87			4P			53					942	27.19	19	2.60	58			867	25.03	19	3.10	64			775	22.37	18	3.30	71	698	20.14	17			3.50	79	632			18.24	17	3.70	89	560			16.17	16			4.00	30	1656					47.79	15	0.90	34	1453	41.92	16	1.00	39	1282	37.00	16	1.15	44	1137	32.80	16	1.30	51	970	28.00	15	1.45	52	969	27.96	15	1.50	61	815	23.51	15	1.80	67	748	21.60	14	1.90	75	665	19.18	14	2.00	84	594	17.15	14	2.20	93	534	15.42	13	2.40	108	464	13.38	13	2.60	120	415	11.98	12	2.80	145	344	9.94	12	3.20	158	317	9.14	12	3.60	175	285	8.22	11	3.80	202	247	7.13	11	4.10	77	651	18.80	8.8	1.15	81	617	17.82	8.9	1.20	92	541	15.60	8.7	1.30	102	487	14.05	8.5	1.40	117	427	12.33	8.3	1.50	132	377	10.88	8.0	1.65	149	334	9.64	7.8	1.80	168	298	8.59	7.7	2.00	186	268	7.74	7.5	2.20	212	235	6.79	7.2	2.30	240	208	5.99	7.0	2.50	271	184	5.31	6.7	2.60																																																																																																
5.8	8164	248	67	1.60			6.9	6913	210	68	1.90			7.8	6090	185	68	2.15	3.6		13967		201.53	128	2.50	GR177 GRF177	8P	20	2501	72.17		21	1.15		GR97 GRF97	4P	3.9			12706	183.34			128	2.75	4.4	11406	164.59			128	3.05	3.1	16043	231.49			114	1.05	GR167 GRF167			8P	22	2260	65.21			23	1.25	3.8			12970			187.15	114			1.30			4.7	10511			151.66			114	1.60	5.1	9716	140.20	114	1.75	5.9	8498			122.62	114	2.00	4.4		11332	163.51		61	1.10	GR147 GRF147	8P		24	2076		59.92			23	1.35	4.9					10170	146.74	63			1.20	6.0	8262	119.22	66			1.45	6.6	7533	108.69	67	1.60	5.9	8499	163.51	66	1.45	6.5	7627	146.74	67	1.60	GR147 GRF147	6P	27	1844	53.21	22	1.55			8.1	6197	119.22			68	2.00	8.8	5649	108.69			69	2.20	10	4926	94.77			69	2.50	12	4333	83.37	70	2.80	5.6	8897	128.38	42	0.85	GR137 GRF137	8P	30	1649	47.58	22	1.70			6.3	7894	113.90			50	0.95	7.0	7163	103.36			51	1.05	8.1	6158	88.85			53	1.20	5.5	9079	174.68	41	0.85	6.1	8138	156.56	49	0.95	GR137 GRF137	6P	34	1482	42.78	21	1.90			6.8	7347	141.35			51	1.05	7.5	6673	128.38			53	1.15	8.4	5920	113.90			54	1.30	9.3	5372	103.36	55	1.40	6.5	7726	222.96	50	1.00	GR137 GRF137	4P	39	1287	37.13	21	2.20			7.6	6541	188.75			53	1.15	8.2	6053	174.68			54	1.25	9.2	5425		156.56		55	1.40	10	4898	141.35	55	1.55	11	4449	128.38			56	1.70	13	3947	113.90			56	1.90	45	1111	32.05	20	2.20			GR87 GRF87	4P	53	942	27.19							19		2.60	58		867	25.03	19	3.10	64			775	22.37	18	3.30	71			698	20.14	17	3.50	79	632	18.24	17			3.70	89	560			16.17	16	4.00	30	1656			47.79	15			0.90	34	1453			41.92	16	1.00	39	1282	37.00	16	1.15	44	1137	32.80	16	1.30	51	970	28.00	15	1.45	52	969	27.96	15	1.50	61	815	23.51	15	1.80	67	748	21.60	14	1.90	75	665	19.18	14	2.00	84	594	17.15	14	2.20	93	534	15.42	13	2.40	108	464	13.38	13	2.60	120	415	11.98	12	2.80	145	344	9.94	12	3.20	158	317	9.14	12	3.60	175	285	8.22	11	3.80	202	247	7.13	11	4.10	77	651	18.80	8.8	1.15	81	617	17.82	8.9	1.20	92	541	15.60	8.7	1.30	102	487	14.05	8.5	1.40	117	427	12.33	8.3	1.50	132	377	10.88	8.0	1.65	149	334	9.64	7.8	1.80	168	298	8.59	7.7	2.00	186	268	7.74	7.5	2.20	212	235	6.79	7.2	2.30	240	208	5.99	7.0	2.50	271	184	5.31	6.7	2.60																																																																																																							
6.9	6913	210	68	1.90			7.8	6090	185	68	2.15			3.6	13967	201.53	128	2.50	GR177 GRF177	8P	20	2501	72.17	21	1.15			GR97 GRF97	4P	3.9		12706	183.34				128	2.75	4.4	11406	164.59			128	3.05	3.1	16043	231.49			114	1.05	GR167 GRF167	8P	22			2260	65.21					23	1.25	3.8			12970	187.15	114			1.30			4.7	10511			151.66			114	1.60	5.1	9716	140.20			114	1.75	5.9	8498	122.62	114	2.00	4.4	11332			163.51	61	1.10	GR147 GRF147		8P	24		2076	59.92				23	1.35		4.9			10170	146.74	63		1.20	6.0		8262	119.22	66			1.45	6.6	7533	108.69	67	1.60	5.9	8499	163.51	66	1.45	6.5	7627	146.74	67	1.60	GR147 GRF147	6P	27	1844	53.21	22	1.55			8.1	6197	119.22	68	2.00			8.8	5649	108.69			69	2.20	10	4926	94.77			69	2.50	12	4333	83.37	70	2.80	5.6	8897	128.38	42	0.85	GR137 GRF137	8P	30	1649	47.58	22	1.70			6.3	7894	113.90	50	0.95			7.0	7163	103.36			51	1.05	8.1	6158	88.85			53	1.20	5.5	9079	174.68	41	0.85	6.1	8138	156.56	49	0.95	GR137 GRF137	6P	34	1482	42.78	21	1.90			6.8	7347	141.35	51	1.05			7.5	6673	128.38			53	1.15	8.4	5920	113.90			54	1.30	9.3	5372	103.36	55	1.40	6.5	7726	222.96	50	1.00	GR137 GRF137	4P	39	1287	37.13	21	2.20			7.6	6541	188.75	53	1.15			8.2	6053	174.68			54	1.25	9.2	5425	156.56			55	1.40	10	4898		141.35		55	1.55	11	4449	128.38	56	1.70	13	3947	113.90			56	1.90	45	1111	32.05			20	2.20	GR87 GRF87	4P	53	942	27.19					19	2.60	58		867	25.03				19		3.10	64		775	22.37	18	3.30	71			698	20.14	17	3.50	79			632	18.24	17	3.70	89	560	16.17	16			4.00	30	1656			47.79	15	0.90	34	1453			41.92	16	1.00	39	1282	37.00	16			1.15	44	1137	32.80	16	1.30	51	970	28.00	15	1.45	52	969	27.96	15	1.50	61	815	23.51	15	1.80	67	748	21.60	14	1.90	75	665	19.18	14	2.00	84	594	17.15	14	2.20	93	534	15.42	13	2.40	108	464	13.38	13	2.60	120	415	11.98	12	2.80	145	344	9.94	12	3.20	158	317	9.14	12	3.60	175	285	8.22	11	3.80	202	247	7.13	11	4.10	77	651	18.80	8.8	1.15	81	617	17.82	8.9	1.20	92	541	15.60	8.7	1.30	102	487	14.05	8.5	1.40	117	427	12.33	8.3	1.50	132	377	10.88	8.0	1.65	149	334	9.64	7.8	1.80	168	298	8.59	7.7	2.00	186	268	7.74	7.5	2.20	212	235	6.79	7.2	2.30	240	208	5.99	7.0	2.50	271	184	5.31	6.7	2.60																																																																																																														
7.8	6090	185	68	2.15			3.6	13967	201.53	128	2.50	GR177 GRF177	8P	20	2501	72.17	21	1.15			GR97 GRF97	4P	3.9	12706	183.34					128	2.75	4.4	11406	164.59			128	3.05	3.1	16043	231.49			114	1.05	GR167 GRF167	8P	22			2260	65.21			23			1.25	3.8					12970	187.15	114			1.30	4.7	10511			151.66			114	1.60	5.1	9716	140.20			114	1.75	5.9	8498	122.62			114	2.00	4.4	11332	163.51	61	1.10	GR147 GRF147	8P			24	2076	59.92				23		1.35	4.9			10170	146.74	63	1.20	6.0			8262	119.22	66		1.45	6.6		7533	108.69	67	1.60	5.9	8499	163.51	66	1.45	6.5	7627	146.74	67	1.60	GR147 GRF147	6P	27	1844	53.21	22	1.55			8.1	6197	119.22	68	2.00			8.8	5649	108.69	69	2.20			10	4926	94.77			69	2.50	12	4333	83.37	70	2.80	5.6	8897	128.38	42	0.85	GR137 GRF137	8P	30	1649	47.58	22	1.70			6.3	7894	113.90	50	0.95			7.0	7163	103.36	51	1.05			8.1	6158	88.85			53	1.20	5.5	9079	174.68	41	0.85	6.1	8138	156.56	49	0.95	GR137 GRF137	6P	34	1482	42.78	21	1.90			6.8	7347	141.35	51	1.05			7.5	6673	128.38	53	1.15			8.4	5920	113.90			54	1.30	9.3	5372	103.36	55	1.40	6.5	7726	222.96	50	1.00	GR137 GRF137	4P	39	1287	37.13	21	2.20			7.6	6541	188.75	53	1.15			8.2	6053	174.68	54	1.25			9.2	5425	156.56			55	1.40	10	4898	141.35			55	1.55	11	4449		128.38		56	1.70	13	3947	113.90	56	1.90	45	1111	32.05			20	2.20	GR87 GRF87	4P	53			942	27.19			19	2.60	58					867	25.03	19		3.10	64		775	22.37	18		3.30	71		698	20.14	17	3.50	79			632	18.24	17	3.70	89			560	16.17	16	4.00	30	1656	47.79	15			0.90	34	1453			41.92	16	1.00	39	1282			37.00	16	1.15	44	1137	32.80	16	1.30	51	970	28.00	15	1.45	52	969	27.96	15	1.50	61	815	23.51	15	1.80	67	748	21.60	14	1.90	75	665	19.18	14	2.00	84	594	17.15	14	2.20	93	534	15.42	13	2.40	108	464	13.38	13	2.60	120	415	11.98	12	2.80	145	344	9.94	12	3.20	158	317	9.14	12	3.60	175	285	8.22	11	3.80	202	247	7.13	11	4.10	77	651	18.80	8.8	1.15	81	617	17.82	8.9	1.20	92	541	15.60	8.7	1.30	102	487	14.05	8.5	1.40	117	427	12.33	8.3	1.50	132	377	10.88	8.0	1.65	149	334	9.64	7.8	1.80	168	298	8.59	7.7	2.00	186	268	7.74	7.5	2.20	212	235	6.79	7.2	2.30	240	208	5.99	7.0	2.50	271	184	5.31	6.7	2.60																																																																																																																					
3.6	13967	201.53	128	2.50	GR177 GRF177	8P	20	2501	72.17	21	1.15			GR97 GRF97	4P																																																																																																																																																																																																																																																																																																																																																																																																																																																																																																																																																																																																																																										
3.9	12706	183.34	128	2.75			4.4	11406	164.59	128	3.05					3.1	16043	231.49	114	1.05			GR167 GRF167	8P	22	2260	65.21			23	1.25	3.8	12970	187.15			114	1.30	4.7	10511	151.66			114	1.60			5.1			9716	140.20			114			1.75	5.9					8498	122.62	114	2.00	4.4	11332	163.51	61	1.10	GR147 GRF147	8P			24	2076	59.92	23	1.35			4.9	10170	146.74	63	1.20			6.0	8262	119.22	66	1.45	6.6	7533			108.69	67	1.60	5.9	8499		163.51		66	1.45	6.5	7627			146.74	67	1.60	GR147 GRF147	6P	27	1844	53.21	22	1.55	8.1	6197	119.22	68	2.00	8.8	5649	108.69	69	2.20	10	4926	94.77	69	2.50	12	4333	83.37			70	2.80	5.6	8897	128.38			42	0.85	GR137 GRF137	8P	30			1649	47.58	22	1.70	6.3	7894	113.90	50	0.95	7.0	7163	103.36	51	1.05	8.1	6158	88.85	53	1.20	5.5	9079	174.68	41	0.85			6.1	8138	156.56	49	0.95			GR137 GRF137	6P	34	1482	42.78			21	1.90	6.8	7347	141.35	51	1.05	7.5	6673	128.38	53	1.15	8.4	5920	113.90	54	1.30	9.3	5372	103.36	55	1.40	6.5	7726			222.96	50	1.00	GR137 GRF137	4P			39	1287	37.13	21	2.20			7.6	6541	188.75	53	1.15	8.2	6053	174.68	54	1.25	9.2	5425	156.56	55	1.40	10	4898	141.35	55	1.55	11	4449	128.38	56			1.70	13	3947	113.90	56			1.90	45	1111	32.05	20			2.20	GR87 GRF87	4P	53	942			27.19	19	2.60			58	867	25.03	19	3.10			64	775	22.37	18		3.30		71	698	20.14	17	3.50	79	632	18.24	17	3.70			89	560			16.17	16	4.00	30	1656			47.79	15	0.90	34	1453			41.92	16	1.00		39	1282		37.00	16	1.15		44	1137		32.80	16	1.30	51	970			28.00	15	1.45	52	969			27.96	15	1.50	61	815	23.51	15	1.80			67	748	21.60	14	1.90	75	665	19.18	14	2.00	84	594	17.15	14	2.20	93	534	15.42	13	2.40	108	464	13.38	13	2.60	120	415	11.98	12	2.80	145	344	9.94	12	3.20	158	317	9.14	12	3.60	175	285	8.22	11	3.80	202	247	7.13	11	4.10	77	651	18.80	8.8	1.15	81	617	17.82	8.9	1.20	92	541	15.60	8.7	1.30	102	487	14.05	8.5	1.40	117	427	12.33	8.3	1.50	132	377	10.88	8.0	1.65	149	334	9.64	7.8	1.80	168	298	8.59	7.7	2.00	186	268	7.74	7.5	2.20	212	235	6.79	7.2	2.30	240	208	5.99	7.0	2.50	271	184	5.31	6.7	2.60																																																																																																																																																								
4.4	11406	164.59	128	3.05			3.1	16043	231.49	114	1.05	GR167 GRF167	8P			22	2260	65.21	23	1.25					3.8	12970	187.15			114	1.30	4.7	10511	151.66			114	1.60	5.1	9716	140.20			114	1.75			5.9			8498	122.62			114			2.00	4.4	11332			163.51	61	1.10	GR147 GRF147	8P	24	2076	59.92	23	1.35					4.9	10170	146.74	63	1.20			6.0	8262	119.22	66	1.45	6.6	7533	108.69	67	1.60	5.9	8499	163.51	66			1.45	6.5	7627	146.74	67		1.60		GR147 GRF147	6P	27	1844	53.21	22	1.55	8.1	6197			119.22	68	2.00	8.8	5649	108.69	69	2.20	10	4926	94.77	69	2.50	12	4333	83.37	70	2.80	5.6	8897	128.38	42	0.85			GR137 GRF137	8P	30	1649	47.58			22	1.70			6.3	7894	113.90	50	0.95	7.0	7163	103.36	51	1.05	8.1	6158	88.85	53	1.20	5.5	9079	174.68	41	0.85	6.1	8138	156.56	49	0.95	GR137 GRF137	6P			34	1482	42.78	21	1.90					6.8	7347	141.35	51	1.05	7.5	6673	128.38	53	1.15	8.4	5920	113.90	54	1.30	9.3	5372	103.36	55	1.40	6.5	7726	222.96	50	1.00	GR137 GRF137	4P	39	1287			37.13	21	2.20					7.6	6541	188.75	53	1.15	8.2	6053	174.68	54	1.25	9.2	5425	156.56	55	1.40	10	4898	141.35	55	1.55	11	4449	128.38	56	1.70	13	3947	113.90	56	1.90	45			1111	32.05	20	2.20	GR87 GRF87			4P	53	942	27.19	19			2.60			58	867			25.03	19	3.10			64	775	22.37	18	3.30			71	698	20.14	17		3.50		79	632	18.24	17	3.70	89	560	16.17	16	4.00	30	1656	47.79	15			0.90	34	1453	41.92	16			1.00	39	1282	37.00	16			1.15	44	1137		32.80	16		1.30	51	970		28.00	15		1.45	52	969	27.96	15			1.50	61	815	23.51	15			1.80	67	748	21.60	14	1.90	75	665	19.18	14	2.00	84	594	17.15	14	2.20	93	534	15.42	13	2.40	108	464	13.38	13	2.60	120	415	11.98	12	2.80	145	344	9.94	12	3.20	158	317	9.14	12	3.60	175	285	8.22	11	3.80	202	247	7.13	11	4.10	77	651	18.80	8.8	1.15	81	617	17.82	8.9	1.20	92	541	15.60	8.7	1.30	102	487	14.05	8.5	1.40	117	427	12.33	8.3	1.50	132	377	10.88	8.0	1.65	149	334	9.64	7.8	1.80	168	298	8.59	7.7	2.00	186	268	7.74	7.5	2.20	212	235	6.79	7.2	2.30	240	208	5.99	7.0	2.50	271	184	5.31	6.7	2.60																																																																																																																																																																	
3.1	16043	231.49	114	1.05	GR167 GRF167	8P	22	2260	65.21	23	1.25					3.8	12970	187.15	114	1.30					4.7	10511	151.66			114	1.60	5.1	9716	140.20			114	1.75	5.9	8498	122.62			114	2.00			4.4			11332	163.51	61	1.10	GR147 GRF147			8P	24	2076			59.92	23	1.35			4.9	10170	146.74	63	1.20					6.0	8262	119.22	66	1.45	6.6	7533	108.69	67	1.60	5.9	8499	163.51	66	1.45	6.5	7627	146.74	67	1.60	GR147 GRF147			6P	27	1844	53.21	22	1.55	8.1	6197			119.22	68	2.00	8.8	5649	108.69	69			2.20	10	4926	94.77	69	2.50	12	4333	83.37	70	2.80	5.6	8897	128.38	42	0.85	GR137 GRF137	8P	30	1649	47.58	22	1.70					6.3	7894	113.90	50	0.95	7.0	7163			103.36	51	1.05	8.1	6158	88.85	53	1.20	5.5	9079	174.68	41	0.85	6.1	8138	156.56	49	0.95	GR137 GRF137	6P	34	1482	42.78	21	1.90					6.8	7347	141.35	51	1.05	7.5	6673			128.38	53	1.15	8.4	5920	113.90	54	1.30	9.3	5372	103.36	55	1.40	6.5	7726	222.96	50	1.00	GR137 GRF137	4P	39	1287	37.13	21	2.20			7.6	6541			188.75	53	1.15			8.2	6053	174.68	54	1.25	9.2	5425	156.56	55	1.40	10	4898	141.35	55	1.55	11	4449	128.38	56	1.70	13	3947	113.90	56	1.90	45	1111	32.05	20	2.20	GR87 GRF87	4P	53			942	27.19	19	2.60					58	867	25.03	19			3.10			64	775			22.37	18	3.30			71	698	20.14	17	3.50			79	632	18.24	17	3.70	89	560	16.17	16	4.00	30	1656	47.79	15	0.90	34	1453	41.92	16	1.00	39			1282	37.00	16	1.15	44			1137	32.80	16	1.30	51			970	28.00	15		1.45	52		969	27.96	15		1.50	61		815	23.51	15	1.80	67			748	21.60	14	1.90	75	665	19.18	14	2.00	84	594	17.15	14	2.20	93	534	15.42	13	2.40	108	464	13.38	13	2.60	120	415	11.98	12	2.80	145	344	9.94	12	3.20	158	317	9.14	12	3.60	175	285	8.22	11	3.80	202	247	7.13	11	4.10	77	651	18.80	8.8	1.15	81	617	17.82	8.9	1.20	92	541	15.60	8.7	1.30	102	487	14.05	8.5	1.40	117	427	12.33	8.3	1.50	132	377	10.88	8.0	1.65	149	334	9.64	7.8	1.80	168	298	8.59	7.7	2.00	186	268	7.74	7.5	2.20	212	235	6.79	7.2	2.30	240	208	5.99	7.0	2.50	271	184	5.31	6.7	2.60																																																																																																																																																																										
3.8	12970	187.15	114	1.30			4.7	10511	151.66	114	1.60					5.1	9716	140.20	114	1.75					5.9	8498	122.62			114	2.00	4.4	11332	163.51			61	1.10	GR147 GRF147	8P	24			2076	59.92	23	1.35	4.9			10170	146.74	63	1.20					6.0	8262			119.22	66	1.45			6.6	7533	108.69	67	1.60			5.9	8499	163.51	66	1.45	6.5	7627	146.74	67	1.60	GR147 GRF147	6P	27	1844	53.21	22	1.55	8.1	6197	119.22	68	2.00		8.8	5649		108.69	69	2.20	10	4926	94.77	69			2.50	12	4333	83.37	70	2.80	5.6			8897	128.38	42	0.85	GR137 GRF137	8P	30	1649	47.58	22	1.70	6.3	7894	113.90	50	0.95			7.0	7163	103.36	51	1.05	8.1	6158			88.85	53	1.20	5.5	9079	174.68	41			0.85	6.1	8138	156.56	49	0.95	GR137 GRF137	6P	34	1482	42.78	21	1.90	6.8	7347	141.35	51	1.05			7.5	6673	128.38	53	1.15			8.4	5920	113.90	54	1.30	9.3	5372	103.36	55			1.40	6.5	7726	222.96	50	1.00	GR137 GRF137	4P	39	1287	37.13	21	2.20	7.6	6541	188.75	53	1.15			8.2	6053	174.68	54	1.25			9.2	5425	156.56	55	1.40	10	4898			141.35	55	1.55	11	4449	128.38	56	1.70	13	3947	113.90	56	1.90	45	1111	32.05	20	2.20	GR87 GRF87	4P	53	942	27.19	19	2.60	58	867	25.03	19	3.10			64			775	22.37	18	3.30					71	698	20.14	17			3.50			79	632			18.24	17	3.70			89	560	16.17	16	4.00	30	1656	47.79	15	0.90	34	1453	41.92	16	1.00	39	1282	37.00	16	1.15	44	1137	32.80	16	1.30	51	970	28.00			15	1.45	52	969	27.96			15	1.50	61	815	23.51			15	1.80	67		748	21.60		14	1.90	75		665	19.18		14	2.00	84	594	17.15	14	2.20	93	534	15.42	13	2.40	108	464	13.38	13	2.60	120	415	11.98	12	2.80	145	344	9.94	12	3.20	158	317	9.14	12	3.60	175	285	8.22	11	3.80	202	247	7.13	11	4.10	77	651	18.80	8.8	1.15	81	617	17.82	8.9	1.20	92	541	15.60	8.7	1.30	102	487	14.05	8.5	1.40	117	427	12.33	8.3	1.50	132	377	10.88	8.0	1.65	149	334	9.64	7.8	1.80	168	298	8.59	7.7	2.00	186	268	7.74	7.5	2.20	212	235	6.79	7.2	2.30	240	208	5.99	7.0	2.50	271	184	5.31	6.7	2.60																																																																																																																																																																																								
4.7	10511	151.66	114	1.60			5.1	9716	140.20	114	1.75					5.9	8498	122.62	114	2.00					4.4	11332	163.51			61	1.10	GR147 GRF147	8P	24			2076	59.92			23			1.35	4.9	10170	146.74	63			1.20	6.0	8262	119.22					66	1.45	6.6	7533	108.69	67	1.60			5.9	8499	163.51	66	1.45			6.5	7627	146.74	67	1.60	GR147 GRF147	6P	27	1844	53.21			22	1.55	8.1	6197	119.22	68	2.00	8.8	5649	108.69		69	2.20		10	4926	94.77	69	2.50	12	4333			83.37	70	2.80	5.6	8897	128.38	42			0.85	GR137 GRF137	8P	30			1649	47.58	22	1.70	6.3	7894	113.90	50	0.95	7.0			7163	103.36	51	1.05	8.1	6158	88.85			53	1.20	5.5	9079	174.68	41	0.85			6.1	8138	156.56	49	0.95	GR137 GRF137			6P	34	1482	42.78	21	1.90	6.8	7347	141.35	51			1.05	7.5	6673	128.38	53			1.15	8.4	5920	113.90	54	1.30	9.3	5372	103.36			55	1.40	6.5	7726	222.96	50			1.00	GR137 GRF137	4P	39	1287	37.13	21	2.20	7.6	6541			188.75	53	1.15	8.2	6053			174.68	54	1.25	9.2	5425	156.56	55			1.40	10	4898	141.35	55	1.55	11	4449	128.38	56	1.70	13	3947	113.90	56	1.90	45	1111			32.05	20	2.20	GR87 GRF87	4P	53	942	27.19	19	2.60			58			867	25.03	19	3.10					64	775	22.37	18			3.30			71	698			20.14	17	3.50	79	632	18.24	17	3.70	89	560	16.17	16	4.00	30	1656	47.79	15	0.90	34	1453	41.92	16	1.00	39	1282	37.00	16	1.15	44	1137	32.80	16	1.30			51	970	28.00	15	1.45			52	969	27.96	15	1.50			61	815	23.51		15	1.80		67	748	21.60	14	1.90	75	665	19.18	14	2.00	84	594	17.15	14	2.20	93	534	15.42	13	2.40	108	464	13.38	13	2.60	120	415	11.98	12	2.80	145	344	9.94	12	3.20	158	317	9.14	12	3.60	175	285	8.22	11	3.80	202	247	7.13	11	4.10	77	651	18.80	8.8	1.15	81	617	17.82	8.9	1.20	92	541	15.60	8.7	1.30	102	487	14.05	8.5	1.40	117	427	12.33	8.3	1.50	132	377	10.88	8.0	1.65	149	334	9.64	7.8	1.80	168	298	8.59	7.7	2.00	186	268	7.74	7.5	2.20	212	235	6.79	7.2	2.30	240	208	5.99	7.0	2.50	271	184	5.31	6.7	2.60																																																																																																																																																																																							
5.1	9716	140.20	114	1.75			5.9	8498	122.62	114	2.00					4.4	11332	163.51	61	1.10			GR147 GRF147	8P	24	2076	59.92			23	1.35			4.9			10170	146.74			63			1.20	6.0	8262	119.22	66			1.45	6.6	7533	108.69		67	1.60		5.9	8499	163.51	66	1.45	6.5	7627			146.74	67	1.60	GR147 GRF147	6P	27	1844	53.21	22	1.55	8.1	6197			119.22	68	2.00			8.8	5649	108.69	69	2.20	10	4926	94.77	69	2.50		12	4333		83.37	70	2.80	5.6	8897	128.38	42			0.85	GR137 GRF137	8P	30	1649	47.58	22	1.70	6.3	7894			113.90			50	0.95	7.0	7163	103.36	51	1.05	8.1	6158	88.85			53	1.20	5.5	9079	174.68	41	0.85			6.1	8138	156.56	49	0.95	GR137 GRF137	6P	34	1482	42.78	21	1.90	6.8	7347					141.35	51	1.05	7.5	6673	128.38	53	1.15	8.4			5920	113.90	54	1.30	9.3			5372	103.36	55	1.40	6.5	7726	222.96	50	1.00	GR137 GRF137	4P	39	1287	37.13	21	2.20	7.6			6541			188.75	53	1.15	8.2	6053	174.68	54			1.25	9.2	5425	156.56	55			1.40	10	4898	141.35	55	1.55	11			4449	128.38	56	1.70	13	3947	113.90	56	1.90	45	1111	32.05	20	2.20	GR87 GRF87	4P	53	942			27.19	19	2.60			58	867	25.03	19	3.10			64			775	22.37	18	3.30					71	698	20.14	17			3.50			79	632	18.24	17	3.70	89	560	16.17	16	4.00	30	1656	47.79	15	0.90	34	1453	41.92	16	1.00	39	1282	37.00	16	1.15	44	1137	32.80	16	1.30	51	970	28.00	15	1.45	52	969			27.96	15	1.50	61	815			23.51	15	1.80	67	748			21.60	14	1.90	75	665	19.18	14	2.00	84	594	17.15	14	2.20	93	534	15.42	13	2.40	108	464	13.38	13	2.60	120	415	11.98	12	2.80	145	344	9.94	12	3.20	158	317	9.14	12	3.60	175	285	8.22	11	3.80	202	247	7.13	11	4.10	77	651	18.80	8.8	1.15	81	617	17.82	8.9	1.20	92	541	15.60	8.7	1.30	102	487	14.05	8.5	1.40	117	427	12.33	8.3	1.50	132	377	10.88	8.0	1.65	149	334	9.64	7.8	1.80	168	298	8.59	7.7	2.00	186	268	7.74	7.5	2.20	212	235	6.79	7.2	2.30	240	208	5.99	7.0	2.50	271	184	5.31	6.7	2.60																																																																																																																																																																																																
5.9	8498	122.62	114	2.00			4.4	11332	163.51	61	1.10	GR147 GRF147	8P			24	2076	59.92	23	1.35					4.9	10170	146.74			63	1.20			6.0			8262	119.22			66			1.45	6.6	7533	108.69	67	1.60	5.9	8499	163.51	66	1.45		6.5	7627		146.74	67	1.60	GR147 GRF147	6P	27	1844	53.21	22	1.55	8.1	6197			119.22	68	2.00	8.8	5649	108.69	69			2.20	10	4926			94.77	69	2.50	12	4333	83.37	70	2.80	5.6	8897		128.38	42		0.85	GR137 GRF137	8P	30	1649	47.58	22	1.70	6.3	7894			113.90	50	0.95	7.0	7163	103.36	51			1.05			8.1	6158	88.85	53	1.20	5.5	9079	174.68	41	0.85			6.1	8138	156.56	49	0.95	GR137 GRF137	6P	34	1482	42.78	21	1.90	6.8	7347			141.35	51	1.05	7.5	6673	128.38	53					1.15	8.4	5920	113.90	54	1.30	9.3	5372	103.36			55	1.40	6.5	7726	222.96	50	1.00	GR137 GRF137	4P	39	1287	37.13	21	2.20	7.6	6541			188.75	53	1.15	8.2	6053	174.68			54			1.25	9.2	5425	156.56	55	1.40	10			4898	141.35	55	1.55	11			4449	128.38	56	1.70	13	3947	113.90			56	1.90	45	1111	32.05	20	2.20	GR87 GRF87	4P	53	942	27.19	19	2.60			58	867			25.03	19	3.10			64	775	22.37	18	3.30			71			698	20.14	17	3.50					79	632	18.24	17	3.70	89	560			16.17	16	4.00	30	1656	47.79	15	0.90	34	1453	41.92	16	1.00	39	1282	37.00	16	1.15	44	1137	32.80	16	1.30	51	970	28.00	15	1.45	52	969	27.96	15	1.50	61	815	23.51	15			1.80	67	748	21.60	14			1.90	75	665	19.18	14	2.00	84	594	17.15	14	2.20	93	534	15.42	13	2.40	108	464	13.38	13	2.60	120	415	11.98	12	2.80	145	344	9.94	12	3.20	158	317	9.14	12	3.60	175	285	8.22	11	3.80	202	247	7.13	11	4.10	77	651	18.80	8.8	1.15	81	617	17.82	8.9	1.20	92	541	15.60	8.7	1.30	102	487	14.05	8.5	1.40	117	427	12.33	8.3	1.50	132	377	10.88	8.0	1.65	149	334	9.64	7.8	1.80	168	298	8.59	7.7	2.00	186	268	7.74	7.5	2.20	212	235	6.79	7.2	2.30	240	208	5.99	7.0	2.50	271	184	5.31	6.7	2.60																																																																																																																																																																																																									
4.4	11332	163.51	61	1.10	GR147 GRF147	8P	24	2076	59.92	23	1.35					4.9	10170	146.74	63	1.20					6.0	8262	119.22			66	1.45			6.6			7533	108.69			67	1.60	5.9	8499	163.51	66	1.45	6.5	7627	146.74	67	1.60	GR147 GRF147	6P	27	1844	53.21	22	1.55	8.1	6197			119.22	68	2.00	8.8	5649	108.69	69			2.20	10	4926	94.77	69	2.50	12			4333	83.37	70			2.80	5.6	8897	128.38	42	0.85	GR137 GRF137	8P	30	1649	47.58	22	1.70	6.3	7894			113.90	50	0.95	7.0	7163	103.36	51			1.05	8.1	6158	88.85	53	1.20	5.5			9079			174.68	41	0.85	6.1	8138	156.56	49	0.95	GR137 GRF137	6P	34	1482	42.78	21	1.90	6.8	7347			141.35	51	1.05	7.5	6673	128.38	53			1.15	8.4	5920	113.90	54	1.30	9.3					5372	103.36	55	1.40	6.5	7726	222.96	50	1.00	GR137 GRF137	4P	39	1287	37.13	21	2.20	7.6	6541			188.75	53	1.15	8.2	6053	174.68	54			1.25	9.2	5425	156.56	55	1.40			10			4898	141.35	55	1.55	11	4449	128.38			56	1.70	13	3947	113.90			56	1.90	45	1111	32.05	20	2.20			GR87 GRF87	4P	53	942	27.19	19	2.60			58	867	25.03	19	3.10			64	775			22.37	18	3.30			71	698	20.14	17	3.50			79			632	18.24	17	3.70		89	560		16.17	16	4.00	30	1656	47.79	15			0.90	34	1453	41.92	16	1.00	39	1282	37.00	16	1.15	44	1137	32.80	16	1.30	51	970	28.00	15	1.45	52	969	27.96	15	1.50	61	815	23.51	15	1.80	67	748	21.60	14	1.90	75			665	19.18	14	2.00	84	594	17.15	14	2.20	93	534	15.42	13	2.40	108	464	13.38	13	2.60	120	415	11.98	12	2.80	145	344	9.94	12	3.20	158	317	9.14	12	3.60	175	285	8.22	11	3.80	202	247	7.13	11	4.10	77	651	18.80	8.8	1.15	81	617	17.82	8.9	1.20	92	541	15.60	8.7	1.30	102	487	14.05	8.5	1.40	117	427	12.33	8.3	1.50	132	377	10.88	8.0	1.65	149	334	9.64	7.8	1.80	168	298	8.59	7.7	2.00	186	268	7.74	7.5	2.20	212	235	6.79	7.2	2.30	240	208	5.99	7.0	2.50	271	184	5.31	6.7	2.60																																																																																																																																																																																																																		
4.9	10170	146.74	63	1.20			6.0	8262	119.22	66	1.45					6.6	7533	108.69	67	1.60					5.9	8499	163.51			66	1.45			6.5	7627	146.74	67	1.60	GR147 GRF147	6P	27	1844	53.21	22	1.55	8.1	6197	119.22	68	2.00	8.8	5649			108.69	69	2.20	10	4926	94.77	69			2.50	12	4333	83.37	70	2.80	5.6			8897	128.38	42	0.85	GR137 GRF137	8P	30			1649	47.58	22	1.70	6.3	7894	113.90	50	0.95	7.0	7163			103.36	51	1.05	8.1	6158	88.85	53			1.20	5.5	9079	174.68	41	0.85	6.1			8138	156.56	49	0.95	GR137 GRF137	6P	34			1482	42.78	21	1.90	6.8	7347	141.35	51	1.05	7.5	6673			128.38	53	1.15	8.4	5920	113.90	54			1.30	9.3	5372	103.36	55	1.40	6.5			7726	222.96	50	1.00	GR137 GRF137	4P	39		1287	37.13		21	2.20	7.6	6541	188.75	53	1.15	8.2	6053			174.68	54	1.25	9.2	5425	156.56	55			1.40	10	4898	141.35	55	1.55	11			4449	128.38	56	1.70	13	3947			113.90			56	1.90	45	1111	32.05	20	2.20			GR87 GRF87	4P	53	942	27.19			19	2.60	58	867	25.03	19	3.10					64	775	22.37	18	3.30			71	698	20.14	17	3.50			79	632			18.24	17	3.70			89	560	16.17	16	4.00			30	1656	47.79	15	0.90	34	1453		41.92	16		1.00	39	1282	37.00	16	1.15	44			1137	32.80	16	1.30	51	970	28.00	15	1.45	52	969	27.96	15	1.50	61	815	23.51	15	1.80	67	748	21.60	14	1.90	75	665	19.18	14	2.00	84	594	17.15	14	2.20	93	534	15.42	13	2.40	108	464	13.38	13	2.60	120	415	11.98	12	2.80	145	344	9.94	12	3.20	158	317	9.14	12	3.60	175	285	8.22	11	3.80	202	247	7.13	11	4.10	77	651	18.80	8.8	1.15	81	617	17.82	8.9	1.20	92	541	15.60	8.7	1.30	102	487	14.05	8.5	1.40	117	427	12.33	8.3	1.50	132	377	10.88	8.0	1.65	149	334	9.64	7.8	1.80	168	298	8.59	7.7	2.00	186	268	7.74	7.5	2.20	212	235	6.79	7.2	2.30	240	208	5.99	7.0	2.50	271	184	5.31	6.7	2.60																																																																																																																																																																																																																																
6.0	8262	119.22	66	1.45			6.6	7533	108.69	67	1.60					5.9	8499	163.51	66	1.45					6.5	7627	146.74	67	1.60	GR147 GRF147	6P	27	1844	53.21	22	1.55	8.1	6197			119.22	68	2.00	8.8	5649	108.69	69	2.20	10	4926	94.77	69			2.50	12	4333	83.37	70	2.80	5.6			8897	128.38	42	0.85	GR137 GRF137	8P	30			1649	47.58	22	1.70			6.3	7894	113.90	50	0.95	7.0	7163	103.36	51	1.05	8.1	6158	88.85	53			1.20	5.5	9079	174.68	41	0.85	6.1			8138	156.56	49	0.95	GR137 GRF137	6P	34			1482	42.78	21	1.90			6.8	7347	141.35	51	1.05	7.5	6673	128.38	53	1.15	8.4	5920	113.90	54			1.30	9.3	5372	103.36	55	1.40	6.5			7726	222.96	50	1.00	GR137 GRF137	4P	39			1287	37.13	21	2.20			7.6	6541	188.75	53	1.15	8.2	6053	174.68	54	1.25	9.2	5425	156.56	55			1.40	10	4898	141.35	55	1.55	11			4449	128.38	56	1.70	13	3947	113.90			56	1.90	45	1111	32.05	20			2.20			GR87 GRF87	4P	53	942	27.19	19	2.60					58	867	25.03			19	3.10	64	775	22.37	18	3.30					71	698	20.14	17	3.50			79	632	18.24	17	3.70			89	560			16.17	16	4.00			30	1656	47.79	15	0.90			34	1453	41.92	16	1.00	39	1282		37.00	16		1.15	44	1137	32.80	16	1.30	51			970	28.00	15	1.45	52	969	27.96	15	1.50	61	815	23.51	15	1.80	67	748	21.60	14	1.90	75	665	19.18	14	2.00	84	594	17.15	14	2.20	93	534	15.42	13	2.40	108	464	13.38	13	2.60	120	415	11.98	12	2.80	145	344	9.94	12	3.20	158	317	9.14	12	3.60	175	285	8.22	11	3.80	202	247	7.13	11	4.10	77	651	18.80	8.8	1.15	81	617	17.82	8.9	1.20	92	541	15.60	8.7	1.30	102	487	14.05	8.5	1.40	117	427	12.33	8.3	1.50	132	377	10.88	8.0	1.65	149	334	9.64	7.8	1.80	168	298	8.59	7.7	2.00	186	268	7.74	7.5	2.20	212	235	6.79	7.2	2.30	240	208	5.99	7.0	2.50	271	184	5.31	6.7	2.60																																																																																																																																																																																																																																					
6.6	7533	108.69	67	1.60			5.9	8499	163.51	66	1.45					6.5	7627	146.74	67	1.60	GR147 GRF147	6P	27	1844	53.21	22	1.55	8.1	6197			119.22	68	2.00	8.8	5649	108.69	69			2.20	10	4926	94.77	69	2.50	12	4333	83.37	70	2.80	5.6			8897	128.38	42	0.85	GR137 GRF137	8P	30			1649	47.58	22	1.70			6.3	7894	113.90	50	0.95	7.0	7163			103.36	51	1.05	8.1	6158	88.85	53	1.20	5.5	9079	174.68	41	0.85	6.1			8138	156.56	49	0.95	GR137 GRF137	6P	34			1482	42.78	21	1.90			6.8	7347	141.35	51	1.05	7.5	6673			128.38	53	1.15	8.4	5920	113.90	54	1.30	9.3	5372	103.36	55	1.40	6.5			7726	222.96	50	1.00	GR137 GRF137	4P	39			1287	37.13	21	2.20			7.6	6541	188.75	53	1.15	8.2	6053			174.68	54	1.25	9.2	5425	156.56	55	1.40	10	4898	141.35	55	1.55	11			4449	128.38	56	1.70	13	3947	113.90			56	1.90	45	1111	32.05	20	2.20			GR87 GRF87	4P	53	942	27.19	19			2.60					58	867	25.03	19	3.10					64	775	22.37			18	3.30	71	698	20.14	17	3.50	79	632			18.24	17	3.70	89	560			16.17	16	4.00	30	1656			47.79	15			0.90	34	1453			41.92	16	1.00	39	1282			37.00	16	1.15	44	1137	32.80	16		1.30	51		970	28.00	15	1.45	52	969	27.96	15	1.50	61	815	23.51	15	1.80	67	748	21.60	14	1.90	75	665	19.18	14	2.00	84	594	17.15	14	2.20	93	534	15.42	13	2.40	108	464	13.38	13	2.60	120	415	11.98	12	2.80	145	344	9.94	12	3.20	158	317	9.14	12	3.60	175	285	8.22	11	3.80	202	247	7.13	11	4.10	77	651	18.80	8.8	1.15	81	617	17.82	8.9	1.20	92	541	15.60	8.7	1.30	102	487	14.05	8.5	1.40	117	427	12.33	8.3	1.50	132	377	10.88	8.0	1.65	149	334	9.64	7.8	1.80	168	298	8.59	7.7	2.00	186	268	7.74	7.5	2.20	212	235	6.79	7.2	2.30	240	208	5.99	7.0	2.50	271	184	5.31	6.7	2.60																																																																																																																																																																																																																																														
5.9	8499	163.51	66	1.45			6.5	7627	146.74	67	1.60	GR147 GRF147	6P	27	1844	53.21	22	1.55	8.1	6197			119.22	68	2.00	8.8	5649	108.69	69			2.20	10	4926	94.77	69	2.50	12			4333	83.37	70	2.80	5.6	8897	128.38	42	0.85	GR137 GRF137	8P	30			1649	47.58	22	1.70			6.3	7894	113.90	50	0.95	7.0	7163			103.36	51	1.05	8.1	6158	88.85	53			1.20	5.5	9079	174.68	41	0.85	6.1	8138	156.56	49	0.95	GR137 GRF137	6P	34			1482	42.78	21	1.90			6.8	7347	141.35	51	1.05	7.5	6673			128.38	53	1.15	8.4	5920	113.90	54			1.30	9.3	5372	103.36	55	1.40	6.5	7726	222.96	50	1.00	GR137 GRF137	4P	39			1287	37.13	21	2.20			7.6	6541	188.75	53	1.15	8.2	6053			174.68	54	1.25	9.2	5425	156.56	55			1.40	10	4898	141.35	55	1.55	11	4449	128.38	56	1.70	13	3947	113.90			56	1.90	45	1111	32.05	20	2.20			GR87 GRF87	4P	53	942	27.19	19	2.60					58	867	25.03	19			3.10					64	775	22.37	18	3.30					71	698	20.14	17	3.50	79	632	18.24	17	3.70	89	560	16.17	16			4.00	30	1656	47.79	15			0.90	34	1453	41.92	16			1.00	39			1282	37.00	16			1.15	44	1137	32.80	16			1.30	51	970	28.00	15	1.45	52	969	27.96	15	1.50	61	815	23.51	15	1.80	67	748	21.60	14	1.90	75	665	19.18	14	2.00	84	594	17.15	14	2.20	93	534	15.42	13	2.40	108	464	13.38	13	2.60	120	415	11.98	12	2.80	145	344	9.94	12	3.20	158	317	9.14	12	3.60	175	285	8.22	11	3.80	202	247	7.13	11	4.10	77	651	18.80	8.8	1.15	81	617	17.82	8.9	1.20	92	541	15.60	8.7	1.30	102	487	14.05	8.5	1.40	117	427	12.33	8.3	1.50	132	377	10.88	8.0	1.65	149	334	9.64	7.8	1.80	168	298	8.59	7.7	2.00	186	268	7.74	7.5	2.20	212	235	6.79	7.2	2.30	240	208	5.99	7.0	2.50	271	184	5.31	6.7	2.60																																																																																																																																																																																																																																																							
6.5	7627	146.74	67	1.60	GR147 GRF147	6P	27	1844	53.21	22	1.55			8.1	6197	119.22	68	2.00	8.8	5649			108.69	69	2.20	10	4926	94.77	69			2.50	12	4333	83.37	70	2.80	5.6			8897	128.38	42	0.85	GR137 GRF137	8P	30	1649	47.58			22	1.70	6.3	7894	113.90	50	0.95			7.0	7163	103.36	51	1.05	8.1	6158			88.85	53	1.20	5.5	9079	174.68	41			0.85	6.1	8138	156.56	49	0.95	GR137 GRF137	6P	34	1482	42.78			21	1.90	6.8	7347	141.35	51	1.05			7.5	6673	128.38	53	1.15	8.4	5920			113.90	54	1.30	9.3	5372	103.36	55			1.40	6.5	7726	222.96	50	1.00	GR137 GRF137	4P	39	1287	37.13			21	2.20	7.6	6541	188.75	53	1.15			8.2	6053	174.68	54	1.25	9.2	5425			156.56	55	1.40	10	4898	141.35	55			1.55	11	4449	128.38	56	1.70	13	3947	113.90	56	1.90	45	1111	32.05			20	2.20	GR87 GRF87	4P	53	942	27.19					19	2.60	58	867	25.03					19	3.10	64	775			22.37					18	3.30	71	698	20.14	17	3.50			79	632	18.24	17	3.70	89	560	16.17	16	4.00	30	1656	47.79	15			0.90	34	1453	41.92	16			1.00	39	1282	37.00	16			1.15	44			1137	32.80	16			1.30	51	970	28.00	15	1.45	52	969	27.96	15	1.50	61	815	23.51	15	1.80	67	748	21.60	14	1.90	75	665	19.18	14	2.00	84	594	17.15	14	2.20	93	534	15.42	13	2.40	108	464	13.38	13	2.60	120	415	11.98	12	2.80	145	344	9.94	12	3.20	158	317	9.14	12	3.60	175	285	8.22	11	3.80	202	247	7.13	11	4.10	77	651	18.80	8.8	1.15	81	617	17.82	8.9	1.20	92	541	15.60	8.7	1.30	102	487	14.05	8.5	1.40	117	427	12.33	8.3	1.50	132	377	10.88	8.0	1.65	149	334	9.64	7.8	1.80	168	298	8.59	7.7	2.00	186	268	7.74	7.5	2.20	212	235	6.79	7.2	2.30	240	208	5.99	7.0	2.50	271	184	5.31	6.7	2.60																																																																																																																																																																																																																																																														
8.1	6197	119.22	68	2.00			8.8	5649	108.69	69	2.20			10	4926	94.77	69	2.50	12	4333			83.37	70	2.80	5.6	8897	128.38	42			0.85	GR137 GRF137	8P	30	1649	47.58	22	1.70	6.3	7894	113.90	50	0.95			7.0	7163	103.36			51	1.05	8.1	6158	88.85	53	1.20			5.5	9079	174.68	41	0.85	6.1	8138			156.56	49	0.95	GR137 GRF137	6P	34	1482	42.78	21	1.90	6.8	7347	141.35	51	1.05			7.5	6673	128.38			53	1.15	8.4	5920	113.90	54	1.30			9.3	5372	103.36	55	1.40	6.5	7726			222.96	50	1.00	GR137 GRF137	4P	39	1287	37.13	21	2.20	7.6	6541	188.75	53	1.15			8.2	6053	174.68			54	1.25	9.2	5425	156.56	55	1.40			10	4898	141.35	55	1.55	11	4449			128.38	56	1.70	13	3947	113.90	56			1.90	45	1111	32.05	20	2.20	GR87 GRF87	4P	53	942	27.19	19	2.60	58			867	25.03			19	3.10	64					775	22.37	18	3.30	71					698	20.14	17	3.50	79	632	18.24					17	3.70	89	560	16.17	16	4.00			30	1656	47.79	15	0.90	34	1453	41.92	16	1.00	39	1282	37.00	16			1.15	44	1137	32.80	16			1.30	51	970	28.00	15			1.45	52	969	27.96	15	1.50	61			815	23.51	15	1.80	67	748	21.60	14	1.90	75	665	19.18	14	2.00	84	594	17.15	14	2.20	93	534	15.42	13	2.40	108	464	13.38	13	2.60	120	415	11.98	12	2.80	145	344	9.94	12	3.20	158	317	9.14	12	3.60	175	285	8.22	11	3.80	202	247	7.13	11	4.10	77	651	18.80	8.8	1.15	81	617	17.82	8.9	1.20	92	541	15.60	8.7	1.30	102	487	14.05	8.5	1.40	117	427	12.33	8.3	1.50	132	377	10.88	8.0	1.65	149	334	9.64	7.8	1.80	168	298	8.59	7.7	2.00	186	268	7.74	7.5	2.20	212	235	6.79	7.2	2.30	240	208	5.99	7.0	2.50	271	184	5.31	6.7	2.60																																																																																																																																																																																																																																																																										
8.8	5649	108.69	69	2.20			10	4926	94.77	69	2.50			12	4333	83.37	70	2.80	5.6	8897			128.38	42	0.85	GR137 GRF137	8P	30	1649	47.58	22	1.70			6.3	7894	113.90	50	0.95	7.0	7163	103.36	51	1.05			8.1	6158	88.85			53	1.20	5.5	9079	174.68	41	0.85			6.1	8138	156.56	49	0.95	GR137 GRF137	6P	34	1482	42.78	21	1.90			6.8	7347	141.35	51	1.05	7.5	6673	128.38	53	1.15			8.4	5920	113.90			54	1.30	9.3	5372	103.36	55	1.40			6.5	7726	222.96	50	1.00	GR137 GRF137	4P	39	1287	37.13	21	2.20			7.6	6541	188.75	53	1.15	8.2	6053	174.68	54	1.25			9.2	5425	156.56			55	1.40	10	4898	141.35	55	1.55			11	4449	128.38	56	1.70	13	3947			113.90	56	1.90	45	1111	32.05	20			2.20	GR87 GRF87	4P	53	942	27.19			19	2.60	58	867	25.03	19			3.10	64			775	22.37	18					3.30	71	698	20.14	17					3.50	79	632	18.24	17	3.70	89	560	16.17			16	4.00	30	1656	47.79	15	0.90			34	1453	41.92	16	1.00	39	1282	37.00	16	1.15	44	1137	32.80	16			1.30	51	970	28.00	15			1.45	52	969	27.96	15			1.50	61	815	23.51	15	1.80	67	748	21.60	14	1.90	75	665	19.18	14	2.00	84	594	17.15	14	2.20	93	534	15.42	13	2.40	108	464	13.38	13	2.60	120	415	11.98	12	2.80	145	344	9.94	12	3.20	158	317	9.14	12	3.60	175	285	8.22	11	3.80	202	247	7.13	11	4.10	77	651	18.80	8.8	1.15	81	617	17.82	8.9	1.20	92	541	15.60	8.7	1.30	102	487	14.05	8.5	1.40	117	427	12.33	8.3	1.50	132	377	10.88	8.0	1.65	149	334	9.64	7.8	1.80	168	298	8.59	7.7	2.00	186	268	7.74	7.5	2.20	212	235	6.79	7.2	2.30	240	208	5.99	7.0	2.50	271	184	5.31	6.7	2.60																																																																																																																																																																																																																																																																																	
10	4926	94.77	69	2.50			12	4333	83.37	70	2.80			5.6	8897	128.38	42	0.85	GR137 GRF137	8P	30	1649	47.58	22	1.70			6.3	7894	113.90	50	0.95			7.0	7163	103.36	51	1.05	8.1	6158	88.85	53	1.20			5.5	9079	174.68			41	0.85	6.1	8138	156.56	49	0.95	GR137 GRF137	6P	34	1482	42.78	21	1.90			6.8	7347	141.35	51	1.05			7.5	6673	128.38	53	1.15	8.4	5920	113.90	54	1.30			9.3	5372	103.36			55	1.40	6.5	7726	222.96	50	1.00	GR137 GRF137	4P	39	1287	37.13	21	2.20			7.6	6541	188.75	53	1.15			8.2	6053	174.68	54	1.25	9.2	5425	156.56	55	1.40			10	4898	141.35			55	1.55	11	4449	128.38	56	1.70			13	3947	113.90	56	1.90	45	1111			32.05	20	2.20	GR87 GRF87	4P	53	942			27.19			19	2.60	58			867	25.03	19	3.10	64	775			22.37	18			3.30	71	698					20.14	17	3.50	79	632	18.24	17			3.70	89	560	16.17	16	4.00	30	1656	47.79			15	0.90	34	1453	41.92	16	1.00			39	1282	37.00	16	1.15	44	1137	32.80	16	1.30	51	970	28.00	15			1.45	52	969	27.96	15			1.50	61	815	23.51	15	1.80	67	748	21.60	14	1.90	75	665	19.18	14	2.00	84	594	17.15	14	2.20	93	534	15.42	13	2.40	108	464	13.38	13	2.60	120	415	11.98	12	2.80	145	344	9.94	12	3.20	158	317	9.14	12	3.60	175	285	8.22	11	3.80	202	247	7.13	11	4.10	77	651	18.80	8.8	1.15	81	617	17.82	8.9	1.20	92	541	15.60	8.7	1.30	102	487	14.05	8.5	1.40	117	427	12.33	8.3	1.50	132	377	10.88	8.0	1.65	149	334	9.64	7.8	1.80	168	298	8.59	7.7	2.00	186	268	7.74	7.5	2.20	212	235	6.79	7.2	2.30	240	208	5.99	7.0	2.50	271	184	5.31	6.7	2.60																																																																																																																																																																																																																																																																																								
12	4333	83.37	70	2.80			5.6	8897	128.38	42	0.85	GR137 GRF137	8P	30	1649	47.58	22	1.70			6.3	7894	113.90	50	0.95			7.0	7163	103.36	51	1.05			8.1	6158	88.85	53	1.20	5.5	9079	174.68	41	0.85			6.1	8138	156.56	49	0.95	GR137 GRF137	6P	34	1482	42.78	21	1.90			6.8	7347	141.35	51	1.05			7.5	6673	128.38	53	1.15			8.4	5920	113.90	54	1.30	9.3	5372	103.36	55	1.40			6.5	7726	222.96	50	1.00	GR137 GRF137	4P	39	1287	37.13	21	2.20			7.6	6541	188.75	53	1.15			8.2	6053	174.68	54	1.25			9.2	5425	156.56	55	1.40	10	4898	141.35	55	1.55			11	4449	128.38			56	1.70	13	3947	113.90	56	1.90			45	1111	32.05	20	2.20	GR87 GRF87	4P			53	942	27.19			19	2.60			58			867	25.03	19			3.10	64	775	22.37	18	3.30			71	698			20.14	17	3.50	79	632			18.24	17	3.70	89	560	16.17	16			4.00	30	1656	47.79	15	0.90	34	1453	41.92			16	1.00	39	1282	37.00	16	1.15			44	1137	32.80	16	1.30	51	970	28.00	15	1.45	52	969	27.96	15			1.50	61	815	23.51	15	1.80	67	748	21.60	14	1.90	75	665	19.18	14	2.00	84	594	17.15	14	2.20	93	534	15.42	13	2.40	108	464	13.38	13	2.60	120	415	11.98	12	2.80	145	344	9.94	12	3.20	158	317	9.14	12	3.60	175	285	8.22	11	3.80	202	247	7.13	11	4.10	77	651	18.80	8.8	1.15	81	617	17.82	8.9	1.20	92	541	15.60	8.7	1.30	102	487	14.05	8.5	1.40	117	427	12.33	8.3	1.50	132	377	10.88	8.0	1.65	149	334	9.64	7.8	1.80	168	298	8.59	7.7	2.00	186	268	7.74	7.5	2.20	212	235	6.79	7.2	2.30	240	208	5.99	7.0	2.50	271	184	5.31	6.7	2.60																																																																																																																																																																																																																																																																																															
5.6	8897	128.38	42	0.85	GR137 GRF137	8P	30	1649	47.58	22	1.70			6.3	7894	113.90	50	0.95			7.0	7163	103.36	51	1.05			8.1	6158	88.85	53	1.20			5.5	9079	174.68	41	0.85	6.1	8138	156.56	49	0.95	GR137 GRF137	6P	34	1482	42.78	21	1.90			6.8	7347	141.35	51	1.05			7.5	6673	128.38	53	1.15			8.4	5920	113.90	54	1.30			9.3	5372	103.36	55	1.40	6.5	7726	222.96	50	1.00	GR137 GRF137	4P	39	1287	37.13	21	2.20			7.6	6541	188.75	53	1.15			8.2	6053	174.68	54	1.25			9.2	5425	156.56	55	1.40			10	4898	141.35	55	1.55	11	4449	128.38	56	1.70			13	3947	113.90			56	1.90	45	1111	32.05	20	2.20			GR87 GRF87	4P	53	942	27.19					19	2.60	58			867	25.03			19			3.10	64	775			22.37	18	3.30	71	698	20.14	17	3.50	79	632			18.24	17	3.70	89	560			16.17	16	4.00	30	1656	47.79	15			0.90	34	1453	41.92	16	1.00	39	1282	37.00			16	1.15	44	1137	32.80	16	1.30			51	970	28.00	15	1.45	52	969	27.96	15	1.50	61	815	23.51	15	1.80	67	748	21.60	14	1.90	75	665	19.18	14	2.00	84	594	17.15	14	2.20	93	534	15.42	13	2.40	108	464	13.38	13	2.60	120	415	11.98	12	2.80	145	344	9.94	12	3.20	158	317	9.14	12	3.60	175	285	8.22	11	3.80	202	247	7.13	11	4.10	77	651	18.80	8.8	1.15	81	617	17.82	8.9	1.20	92	541	15.60	8.7	1.30	102	487	14.05	8.5	1.40	117	427	12.33	8.3	1.50	132	377	10.88	8.0	1.65	149	334	9.64	7.8	1.80	168	298	8.59	7.7	2.00	186	268	7.74	7.5	2.20	212	235	6.79	7.2	2.30	240	208	5.99	7.0	2.50	271	184	5.31	6.7	2.60																																																																																																																																																																																																																																																																																																						
6.3	7894	113.90	50	0.95			7.0	7163	103.36	51	1.05			8.1	6158	88.85	53	1.20			5.5	9079	174.68	41	0.85			6.1	8138	156.56	49	0.95	GR137 GRF137	6P	34	1482	42.78	21	1.90	6.8	7347	141.35	51	1.05			7.5	6673	128.38	53	1.15			8.4	5920	113.90	54	1.30			9.3	5372	103.36	55	1.40			6.5	7726	222.96	50	1.00	GR137 GRF137	4P	39	1287	37.13	21	2.20	7.6	6541	188.75	53	1.15			8.2	6053	174.68	54	1.25			9.2	5425	156.56	55	1.40			10	4898	141.35	55	1.55			11	4449	128.38	56	1.70			13	3947	113.90	56	1.90	45	1111	32.05	20	2.20			GR87 GRF87	4P	53			942	27.19	19	2.60	58	867	25.03					19	3.10	64					775	22.37	18			3.30	71	698	20.14	17			3.50	79	632			18.24	17	3.70	89	560	16.17	16	4.00	30	1656			47.79	15	0.90	34	1453			41.92	16	1.00	39	1282	37.00	16			1.15	44	1137	32.80	16	1.30	51	970	28.00			15	1.45	52	969	27.96	15	1.50	61	815	23.51	15	1.80	67	748	21.60	14	1.90	75	665	19.18	14	2.00	84	594	17.15	14	2.20	93	534	15.42	13	2.40	108	464	13.38	13	2.60	120	415	11.98	12	2.80	145	344	9.94	12	3.20	158	317	9.14	12	3.60	175	285	8.22	11	3.80	202	247	7.13	11	4.10	77	651	18.80	8.8	1.15	81	617	17.82	8.9	1.20	92	541	15.60	8.7	1.30	102	487	14.05	8.5	1.40	117	427	12.33	8.3	1.50	132	377	10.88	8.0	1.65	149	334	9.64	7.8	1.80	168	298	8.59	7.7	2.00	186	268	7.74	7.5	2.20	212	235	6.79	7.2	2.30	240	208	5.99	7.0	2.50	271	184	5.31	6.7	2.60																																																																																																																																																																																																																																																																																																																		
7.0	7163	103.36	51	1.05			8.1	6158	88.85	53	1.20			5.5	9079	174.68	41	0.85			6.1	8138	156.56	49	0.95	GR137 GRF137	6P	34	1482	42.78	21	1.90			6.8	7347	141.35	51	1.05	7.5	6673	128.38	53	1.15			8.4	5920	113.90	54	1.30			9.3	5372	103.36	55	1.40			6.5	7726	222.96	50	1.00	GR137 GRF137	4P	39	1287	37.13	21	2.20			7.6	6541	188.75	53	1.15	8.2	6053	174.68	54	1.25			9.2	5425	156.56	55	1.40			10	4898	141.35	55	1.55			11	4449	128.38	56	1.70			13	3947	113.90	56	1.90			45	1111	32.05	20	2.20	GR87 GRF87	4P	53	942	27.19					19			2.60	58	867	25.03	19	3.10	64					775	22.37	18			3.30	71	698	20.14	17			3.50	79	632	18.24	17			3.70	89	560			16.17	16	4.00	30	1656	47.79	15	0.90	34	1453			41.92	16	1.00	39	1282			37.00	16	1.15	44	1137	32.80	16			1.30	51	970	28.00	15	1.45	52	969	27.96	15	1.50	61	815	23.51	15	1.80	67	748	21.60	14	1.90	75	665	19.18	14	2.00	84	594	17.15	14	2.20	93	534	15.42	13	2.40	108	464	13.38	13	2.60	120	415	11.98	12	2.80	145	344	9.94	12	3.20	158	317	9.14	12	3.60	175	285	8.22	11	3.80	202	247	7.13	11	4.10	77	651	18.80	8.8	1.15	81	617	17.82	8.9	1.20	92	541	15.60	8.7	1.30	102	487	14.05	8.5	1.40	117	427	12.33	8.3	1.50	132	377	10.88	8.0	1.65	149	334	9.64	7.8	1.80	168	298	8.59	7.7	2.00	186	268	7.74	7.5	2.20	212	235	6.79	7.2	2.30	240	208	5.99	7.0	2.50	271	184	5.31	6.7	2.60																																																																																																																																																																																																																																																																																																																									
8.1	6158	88.85	53	1.20			5.5	9079	174.68	41	0.85			6.1	8138	156.56	49	0.95	GR137 GRF137	6P	34	1482	42.78	21	1.90			6.8	7347	141.35	51	1.05			7.5	6673	128.38	53	1.15	8.4	5920	113.90	54	1.30			9.3	5372	103.36	55	1.40			6.5	7726	222.96	50	1.00	GR137 GRF137	4P	39	1287	37.13	21	2.20			7.6	6541	188.75	53	1.15			8.2	6053	174.68	54	1.25	9.2	5425	156.56	55	1.40			10	4898	141.35	55	1.55			11	4449	128.38	56	1.70			13	3947	113.90	56	1.90			45	1111	32.05	20	2.20			GR87 GRF87	4P	53	942	27.19			19	2.60	58					867			25.03	19	3.10	64	775	22.37	18	3.30	71			698	20.14	17			3.50	79	632	18.24	17			3.70	89	560	16.17	16			4.00	30	1656			47.79	15	0.90	34	1453	41.92	16	1.00	39	1282			37.00	16	1.15	44	1137			32.80	16	1.30	51	970	28.00	15	1.45	52	969	27.96	15	1.50	61	815	23.51	15	1.80	67	748	21.60	14	1.90	75	665	19.18	14	2.00	84	594	17.15	14	2.20	93	534	15.42	13	2.40	108	464	13.38	13	2.60	120	415	11.98	12	2.80	145	344	9.94	12	3.20	158	317	9.14	12	3.60	175	285	8.22	11	3.80	202	247	7.13	11	4.10	77	651	18.80	8.8	1.15	81	617	17.82	8.9	1.20	92	541	15.60	8.7	1.30	102	487	14.05	8.5	1.40	117	427	12.33	8.3	1.50	132	377	10.88	8.0	1.65	149	334	9.64	7.8	1.80	168	298	8.59	7.7	2.00	186	268	7.74	7.5	2.20	212	235	6.79	7.2	2.30	240	208	5.99	7.0	2.50	271	184	5.31	6.7	2.60																																																																																																																																																																																																																																																																																																																																
5.5	9079	174.68	41	0.85			6.1	8138	156.56	49	0.95	GR137 GRF137	6P	34	1482	42.78	21	1.90			6.8	7347	141.35	51	1.05			7.5	6673	128.38	53	1.15			8.4	5920	113.90	54	1.30	9.3	5372	103.36	55	1.40			6.5	7726	222.96	50	1.00	GR137 GRF137	4P	39	1287	37.13	21	2.20			7.6	6541	188.75	53	1.15			8.2	6053	174.68	54	1.25			9.2	5425	156.56	55	1.40	10	4898	141.35	55	1.55			11	4449	128.38	56	1.70			13	3947	113.90	56	1.90			45	1111	32.05	20	2.20			GR87 GRF87	4P	53	942	27.19					19	2.60	58			867	25.03	19					3.10	64	775	22.37	18	3.30	71	698	20.14	17	3.50	79			632	18.24	17			3.70	89	560	16.17	16			4.00	30	1656	47.79	15			0.90	34	1453			41.92	16	1.00	39	1282	37.00	16	1.15	44	1137			32.80	16	1.30	51	970	28.00	15	1.45	52	969	27.96	15	1.50	61	815	23.51	15	1.80	67	748	21.60	14	1.90	75	665	19.18	14	2.00	84	594	17.15	14	2.20	93	534	15.42	13	2.40	108	464	13.38	13	2.60	120	415	11.98	12	2.80	145	344	9.94	12	3.20	158	317	9.14	12	3.60	175	285	8.22	11	3.80	202	247	7.13	11	4.10	77	651	18.80	8.8	1.15	81	617	17.82	8.9	1.20	92	541	15.60	8.7	1.30	102	487	14.05	8.5	1.40	117	427	12.33	8.3	1.50	132	377	10.88	8.0	1.65	149	334	9.64	7.8	1.80	168	298	8.59	7.7	2.00	186	268	7.74	7.5	2.20	212	235	6.79	7.2	2.30	240	208	5.99	7.0	2.50	271	184	5.31	6.7	2.60																																																																																																																																																																																																																																																																																																																																							
6.1	8138	156.56	49	0.95	GR137 GRF137	6P	34	1482	42.78	21	1.90			6.8	7347	141.35	51	1.05			7.5	6673	128.38	53	1.15			8.4	5920	113.90	54	1.30			9.3	5372	103.36	55	1.40	6.5	7726	222.96	50	1.00	GR137 GRF137	4P	39	1287	37.13	21	2.20			7.6	6541	188.75	53	1.15			8.2	6053	174.68	54	1.25			9.2	5425	156.56	55	1.40			10	4898	141.35	55	1.55	11	4449	128.38	56	1.70			13	3947	113.90	56	1.90			45	1111	32.05	20	2.20			GR87 GRF87	4P	53	942	27.19					19	2.60	58					867	25.03	19			3.10	64	775	22.37	18			3.30	71	698	20.14	17	3.50	79	632	18.24	17	3.70	89			560	16.17	16			4.00	30	1656	47.79	15			0.90	34	1453	41.92	16			1.00	39	1282			37.00	16	1.15	44	1137	32.80	16	1.30	51	970	28.00	15	1.45	52	969	27.96	15	1.50	61	815	23.51	15	1.80	67	748	21.60	14	1.90	75	665	19.18	14	2.00	84	594	17.15	14	2.20	93	534	15.42	13	2.40	108	464	13.38	13	2.60	120	415	11.98	12	2.80	145	344	9.94	12	3.20	158	317	9.14	12	3.60	175	285	8.22	11	3.80	202	247	7.13	11	4.10	77	651	18.80	8.8	1.15	81	617	17.82	8.9	1.20	92	541	15.60	8.7	1.30	102	487	14.05	8.5	1.40	117	427	12.33	8.3	1.50	132	377	10.88	8.0	1.65	149	334	9.64	7.8	1.80	168	298	8.59	7.7	2.00	186	268	7.74	7.5	2.20	212	235	6.79	7.2	2.30	240	208	5.99	7.0	2.50	271	184	5.31	6.7	2.60																																																																																																																																																																																																																																																																																																																																														
6.8	7347	141.35	51	1.05			7.5	6673	128.38	53	1.15			8.4	5920	113.90	54	1.30			9.3	5372	103.36	55	1.40			6.5	7726	222.96	50	1.00	GR137 GRF137	4P	39	1287	37.13	21	2.20	7.6	6541	188.75	53	1.15			8.2	6053	174.68	54	1.25			9.2	5425	156.56	55	1.40			10	4898	141.35	55	1.55			11	4449	128.38	56	1.70			13	3947	113.90	56	1.90	45	1111	32.05	20	2.20			GR87 GRF87	4P	53	942	27.19			19	2.60	58	867	25.03					19	3.10	64					775	22.37	18	3.30	71			698	20.14	17			3.50	79	632	18.24	17			3.70	89	560	16.17	16	4.00	30	1656	47.79	15	0.90	34			1453	41.92	16			1.00	39	1282	37.00	16			1.15	44	1137	32.80	16			1.30	51	970	28.00	15	1.45	52	969	27.96	15	1.50	61	815	23.51	15	1.80	67	748	21.60	14	1.90	75	665	19.18	14	2.00	84	594	17.15	14	2.20	93	534	15.42	13	2.40	108	464	13.38	13	2.60	120	415	11.98	12	2.80	145	344	9.94	12	3.20	158	317	9.14	12	3.60	175	285	8.22	11	3.80	202	247	7.13	11	4.10	77	651	18.80	8.8	1.15	81	617	17.82	8.9	1.20	92	541	15.60	8.7	1.30	102	487	14.05	8.5	1.40	117	427	12.33	8.3	1.50	132	377	10.88	8.0	1.65	149	334	9.64	7.8	1.80	168	298	8.59	7.7	2.00	186	268	7.74	7.5	2.20	212	235	6.79	7.2	2.30	240	208	5.99	7.0	2.50	271	184	5.31	6.7	2.60																																																																																																																																																																																																																																																																																																																																																										
7.5	6673	128.38	53	1.15			8.4	5920	113.90	54	1.30			9.3	5372	103.36	55	1.40			6.5	7726	222.96	50	1.00	GR137 GRF137	4P	39	1287	37.13	21	2.20			7.6	6541	188.75	53	1.15	8.2	6053	174.68	54	1.25			9.2	5425	156.56	55	1.40			10	4898	141.35	55	1.55			11	4449	128.38	56	1.70			13	3947	113.90	56	1.90			45	1111	32.05	20	2.20	GR87 GRF87	4P	53	942	27.19					19	2.60	58			867	25.03	19	3.10	64					775	22.37	18	3.30	71			698	20.14	17	3.50	79			632	18.24	17			3.70	89	560	16.17	16			4.00	30	1656	47.79	15	0.90	34	1453	41.92	16	1.00	39			1282	37.00	16			1.15	44	1137	32.80	16			1.30	51	970	28.00	15	1.45	52	969	27.96	15	1.50	61	815	23.51	15	1.80	67	748	21.60	14	1.90	75	665	19.18	14	2.00	84	594	17.15	14	2.20	93	534	15.42	13	2.40	108	464	13.38	13	2.60	120	415	11.98	12	2.80	145	344	9.94	12	3.20	158	317	9.14	12	3.60	175	285	8.22	11	3.80	202	247	7.13	11	4.10	77	651	18.80	8.8	1.15	81	617	17.82	8.9	1.20	92	541	15.60	8.7	1.30	102	487	14.05	8.5	1.40	117	427	12.33	8.3	1.50	132	377	10.88	8.0	1.65	149	334	9.64	7.8	1.80	168	298	8.59	7.7	2.00	186	268	7.74	7.5	2.20	212	235	6.79	7.2	2.30	240	208	5.99	7.0	2.50	271	184	5.31	6.7	2.60																																																																																																																																																																																																																																																																																																																																																																	
8.4	5920	113.90	54	1.30			9.3	5372	103.36	55	1.40			6.5	7726	222.96	50	1.00	GR137 GRF137	4P	39	1287	37.13	21	2.20			7.6	6541	188.75	53	1.15			8.2	6053	174.68	54	1.25	9.2	5425	156.56	55	1.40			10	4898	141.35	55	1.55			11	4449	128.38	56	1.70			13	3947	113.90	56	1.90			45	1111	32.05	20	2.20			GR87 GRF87	4P	53	942	27.19			19	2.60	58					867	25.03	19			3.10	64	775	22.37	18	3.30	71			698	20.14	17	3.50	79			632	18.24	17	3.70	89			560	16.17	16			4.00	30	1656	47.79	15			0.90	34	1453	41.92	16	1.00	39	1282	37.00	16	1.15	44			1137	32.80	16			1.30	51	970	28.00	15	1.45	52	969	27.96	15	1.50	61	815	23.51	15	1.80	67	748	21.60	14	1.90	75	665	19.18	14	2.00	84	594	17.15	14	2.20	93	534	15.42	13	2.40	108	464	13.38	13	2.60	120	415	11.98	12	2.80	145	344	9.94	12	3.20	158	317	9.14	12	3.60	175	285	8.22	11	3.80	202	247	7.13	11	4.10	77	651	18.80	8.8	1.15	81	617	17.82	8.9	1.20	92	541	15.60	8.7	1.30	102	487	14.05	8.5	1.40	117	427	12.33	8.3	1.50	132	377	10.88	8.0	1.65	149	334	9.64	7.8	1.80	168	298	8.59	7.7	2.00	186	268	7.74	7.5	2.20	212	235	6.79	7.2	2.30	240	208	5.99	7.0	2.50	271	184	5.31	6.7	2.60																																																																																																																																																																																																																																																																																																																																																																								
9.3	5372	103.36	55	1.40			6.5	7726	222.96	50	1.00	GR137 GRF137	4P	39	1287	37.13	21	2.20			7.6	6541	188.75	53	1.15			8.2	6053	174.68	54	1.25			9.2	5425	156.56	55	1.40	10	4898	141.35	55	1.55			11	4449	128.38	56	1.70			13	3947	113.90	56	1.90			45	1111	32.05	20	2.20			GR87 GRF87	4P	53	942	27.19					19	2.60	58			867	25.03	19					3.10	64	775	22.37	18	3.30	71	698	20.14	17	3.50	79			632	18.24	17	3.70	89			560	16.17	16	4.00	30			1656	47.79	15			0.90	34	1453	41.92	16			1.00	39	1282	37.00	16	1.15	44	1137	32.80	16	1.30	51			970	28.00	15	1.45	52	969	27.96	15	1.50	61	815	23.51	15	1.80	67	748	21.60	14	1.90	75	665	19.18	14	2.00	84	594	17.15	14	2.20	93	534	15.42	13	2.40	108	464	13.38	13	2.60	120	415	11.98	12	2.80	145	344	9.94	12	3.20	158	317	9.14	12	3.60	175	285	8.22	11	3.80	202	247	7.13	11	4.10	77	651	18.80	8.8	1.15	81	617	17.82	8.9	1.20	92	541	15.60	8.7	1.30	102	487	14.05	8.5	1.40	117	427	12.33	8.3	1.50	132	377	10.88	8.0	1.65	149	334	9.64	7.8	1.80	168	298	8.59	7.7	2.00	186	268	7.74	7.5	2.20	212	235	6.79	7.2	2.30	240	208	5.99	7.0	2.50	271	184	5.31	6.7	2.60																																																																																																																																																																																																																																																																																																																																																																															
6.5	7726	222.96	50	1.00	GR137 GRF137	4P	39	1287	37.13	21	2.20			7.6	6541	188.75	53	1.15			8.2	6053	174.68	54	1.25			9.2	5425	156.56	55	1.40			10	4898	141.35	55	1.55	11	4449	128.38	56	1.70			13	3947	113.90	56	1.90			45	1111	32.05	20	2.20			GR87 GRF87	4P	53	942	27.19					19	2.60	58					867	25.03	19			3.10	64	775	22.37	18			3.30	71	698	20.14	17	3.50	79	632	18.24	17	3.70	89			560	16.17	16	4.00	30			1656	47.79	15	0.90	34			1453	41.92	16			1.00	39	1282	37.00	16			1.15	44	1137	32.80	16	1.30	51	970	28.00	15	1.45	52	969	27.96	15	1.50	61	815	23.51	15	1.80	67	748	21.60	14	1.90	75	665	19.18	14	2.00	84	594	17.15	14	2.20	93	534	15.42	13	2.40	108	464	13.38	13	2.60	120	415	11.98	12	2.80	145	344	9.94	12	3.20	158	317	9.14	12	3.60	175	285	8.22	11	3.80	202	247	7.13	11	4.10	77	651	18.80	8.8	1.15	81	617	17.82	8.9	1.20	92	541	15.60	8.7	1.30	102	487	14.05	8.5	1.40	117	427	12.33	8.3	1.50	132	377	10.88	8.0	1.65	149	334	9.64	7.8	1.80	168	298	8.59	7.7	2.00	186	268	7.74	7.5	2.20	212	235	6.79	7.2	2.30	240	208	5.99	7.0	2.50	271	184	5.31	6.7	2.60																																																																																																																																																																																																																																																																																																																																																																																						
7.6	6541	188.75	53	1.15			8.2	6053	174.68	54	1.25			9.2	5425	156.56	55	1.40			10	4898	141.35	55	1.55			11	4449	128.38	56	1.70			13	3947	113.90	56	1.90	45	1111	32.05	20	2.20			GR87 GRF87	4P	53	942	27.19			19	2.60	58	867	25.03					19	3.10	64					775	22.37	18	3.30	71			698	20.14	17			3.50	79	632	18.24	17			3.70	89	560	16.17	16	4.00	30	1656	47.79	15	0.90	34			1453	41.92	16	1.00	39			1282	37.00	16	1.15	44			1137	32.80	16			1.30	51	970	28.00	15	1.45	52	969	27.96	15	1.50	61	815	23.51	15	1.80	67	748	21.60	14	1.90	75	665	19.18	14	2.00	84	594	17.15	14	2.20	93	534	15.42	13	2.40	108	464	13.38	13	2.60	120	415	11.98	12	2.80	145	344	9.94	12	3.20	158	317	9.14	12	3.60	175	285	8.22	11	3.80	202	247	7.13	11	4.10	77	651	18.80	8.8	1.15	81	617	17.82	8.9	1.20	92	541	15.60	8.7	1.30	102	487	14.05	8.5	1.40	117	427	12.33	8.3	1.50	132	377	10.88	8.0	1.65	149	334	9.64	7.8	1.80	168	298	8.59	7.7	2.00	186	268	7.74	7.5	2.20	212	235	6.79	7.2	2.30	240	208	5.99	7.0	2.50	271	184	5.31	6.7	2.60																																																																																																																																																																																																																																																																																																																																																																																																		
8.2	6053	174.68	54	1.25			9.2	5425	156.56	55	1.40			10	4898	141.35	55	1.55			11	4449	128.38	56	1.70			13	3947	113.90	56	1.90			45	1111	32.05	20	2.20	GR87 GRF87	4P	53	942	27.19					19	2.60	58			867	25.03	19	3.10	64					775	22.37	18	3.30	71			698	20.14	17	3.50	79			632	18.24	17			3.70	89	560	16.17	16			4.00	30	1656	47.79	15	0.90	34	1453	41.92	16	1.00	39			1282	37.00	16	1.15	44			1137	32.80	16	1.30	51			970	28.00	15	1.45	52	969	27.96	15	1.50	61	815	23.51	15	1.80	67	748	21.60	14	1.90	75	665	19.18	14	2.00	84	594	17.15	14	2.20	93	534	15.42	13	2.40	108	464	13.38	13	2.60	120	415	11.98	12	2.80	145	344	9.94	12	3.20	158	317	9.14	12	3.60	175	285	8.22	11	3.80	202	247	7.13	11	4.10	77	651	18.80	8.8	1.15	81	617	17.82	8.9	1.20	92	541	15.60	8.7	1.30	102	487	14.05	8.5	1.40	117	427	12.33	8.3	1.50	132	377	10.88	8.0	1.65	149	334	9.64	7.8	1.80	168	298	8.59	7.7	2.00	186	268	7.74	7.5	2.20	212	235	6.79	7.2	2.30	240	208	5.99	7.0	2.50	271	184	5.31	6.7	2.60																																																																																																																																																																																																																																																																																																																																																																																																									
9.2	5425	156.56	55	1.40			10	4898	141.35	55	1.55			11	4449	128.38	56	1.70			13	3947	113.90	56	1.90			45	1111	32.05	20	2.20			GR87 GRF87	4P	53	942	27.19			19	2.60	58					867	25.03	19			3.10	64	775	22.37	18	3.30	71			698	20.14	17	3.50	79			632	18.24	17	3.70	89			560	16.17	16			4.00	30	1656	47.79	15			0.90	34	1453	41.92	16	1.00	39	1282	37.00	16	1.15	44			1137	32.80	16	1.30	51			970	28.00	15	1.45	52	969	27.96	15	1.50	61	815	23.51	15	1.80	67	748	21.60	14	1.90	75	665	19.18	14	2.00	84	594	17.15	14	2.20	93	534	15.42	13	2.40	108	464	13.38	13	2.60	120	415	11.98	12	2.80	145	344	9.94	12	3.20	158	317	9.14	12	3.60	175	285	8.22	11	3.80	202	247	7.13	11	4.10	77	651	18.80	8.8	1.15	81	617	17.82	8.9	1.20	92	541	15.60	8.7	1.30	102	487	14.05	8.5	1.40	117	427	12.33	8.3	1.50	132	377	10.88	8.0	1.65	149	334	9.64	7.8	1.80	168	298	8.59	7.7	2.00	186	268	7.74	7.5	2.20	212	235	6.79	7.2	2.30	240	208	5.99	7.0	2.50	271	184	5.31	6.7	2.60																																																																																																																																																																																																																																																																																																																																																																																																																
10	4898	141.35	55	1.55			11	4449	128.38	56	1.70			13	3947	113.90	56	1.90			45	1111	32.05	20	2.20			GR87 GRF87	4P	53	942	27.19					19	2.60	58			867	25.03	19					3.10	64	775	22.37	18	3.30	71	698	20.14	17	3.50	79			632	18.24	17	3.70	89			560	16.17	16	4.00	30			1656	47.79	15			0.90	34	1453	41.92	16			1.00	39	1282	37.00	16	1.15	44	1137	32.80	16	1.30	51			970	28.00	15	1.45	52	969	27.96	15	1.50	61	815	23.51	15	1.80	67	748	21.60	14	1.90	75	665	19.18	14	2.00	84	594	17.15	14	2.20	93	534	15.42	13	2.40	108	464	13.38	13	2.60	120	415	11.98	12	2.80	145	344	9.94	12	3.20	158	317	9.14	12	3.60	175	285	8.22	11	3.80	202	247	7.13	11	4.10	77	651	18.80	8.8	1.15	81	617	17.82	8.9	1.20	92	541	15.60	8.7	1.30	102	487	14.05	8.5	1.40	117	427	12.33	8.3	1.50	132	377	10.88	8.0	1.65	149	334	9.64	7.8	1.80	168	298	8.59	7.7	2.00	186	268	7.74	7.5	2.20	212	235	6.79	7.2	2.30	240	208	5.99	7.0	2.50	271	184	5.31	6.7	2.60																																																																																																																																																																																																																																																																																																																																																																																																																							
11	4449	128.38	56	1.70			13	3947	113.90	56	1.90			45	1111	32.05	20	2.20			GR87 GRF87	4P	53	942	27.19					19	2.60	58					867	25.03	19			3.10	64	775	22.37	18			3.30	71	698	20.14	17	3.50	79	632	18.24	17	3.70	89			560	16.17	16	4.00	30			1656	47.79	15	0.90	34			1453	41.92	16			1.00	39	1282	37.00	16			1.15	44	1137	32.80	16	1.30	51	970	28.00	15	1.45	52	969	27.96	15	1.50	61	815	23.51	15	1.80	67	748	21.60	14	1.90	75	665	19.18	14	2.00	84	594	17.15	14	2.20	93	534	15.42	13	2.40	108	464	13.38	13	2.60	120	415	11.98	12	2.80	145	344	9.94	12	3.20	158	317	9.14	12	3.60	175	285	8.22	11	3.80	202	247	7.13	11	4.10	77	651	18.80	8.8	1.15	81	617	17.82	8.9	1.20	92	541	15.60	8.7	1.30	102	487	14.05	8.5	1.40	117	427	12.33	8.3	1.50	132	377	10.88	8.0	1.65	149	334	9.64	7.8	1.80	168	298	8.59	7.7	2.00	186	268	7.74	7.5	2.20	212	235	6.79	7.2	2.30	240	208	5.99	7.0	2.50	271	184	5.31	6.7	2.60																																																																																																																																																																																																																																																																																																																																																																																																																														
13	3947	113.90	56	1.90			45	1111	32.05	20	2.20			GR87 GRF87	4P	53	942	27.19					19	2.60	58					867	25.03	19	3.10	64			775	22.37	18			3.30	71	698	20.14	17			3.50	79	632	18.24	17	3.70	89	560	16.17	16	4.00	30			1656	47.79	15	0.90	34			1453	41.92	16	1.00	39			1282	37.00	16			1.15	44	1137	32.80	16	1.30	51	970	28.00	15	1.45	52	969	27.96	15	1.50	61	815	23.51	15	1.80	67	748	21.60	14	1.90	75	665	19.18	14	2.00	84	594	17.15	14	2.20	93	534	15.42	13	2.40	108	464	13.38	13	2.60	120	415	11.98	12	2.80	145	344	9.94	12	3.20	158	317	9.14	12	3.60	175	285	8.22	11	3.80	202	247	7.13	11	4.10	77	651	18.80	8.8	1.15	81	617	17.82	8.9	1.20	92	541	15.60	8.7	1.30	102	487	14.05	8.5	1.40	117	427	12.33	8.3	1.50	132	377	10.88	8.0	1.65	149	334	9.64	7.8	1.80	168	298	8.59	7.7	2.00	186	268	7.74	7.5	2.20	212	235	6.79	7.2	2.30	240	208	5.99	7.0	2.50	271	184	5.31	6.7	2.60																																																																																																																																																																																																																																																																																																																																																																																																																																					
45	1111	32.05	20	2.20			GR87 GRF87	4P	53	942	27.19					19	2.60	58					867	25.03	19	3.10	64			775	22.37	18	3.30	71			698	20.14	17			3.50	79	632	18.24	17			3.70	89	560	16.17	16	4.00	30	1656	47.79	15	0.90	34			1453	41.92	16	1.00	39			1282	37.00	16	1.15	44			1137	32.80	16	1.30	51	970	28.00	15	1.45	52	969	27.96	15	1.50	61	815	23.51	15	1.80	67	748	21.60	14	1.90	75	665	19.18	14	2.00	84	594	17.15	14	2.20	93	534	15.42	13	2.40	108	464	13.38	13	2.60	120	415	11.98	12	2.80	145	344	9.94	12	3.20	158	317	9.14	12	3.60	175	285	8.22	11	3.80	202	247	7.13	11	4.10	77	651	18.80	8.8	1.15	81	617	17.82	8.9	1.20	92	541	15.60	8.7	1.30	102	487	14.05	8.5	1.40	117	427	12.33	8.3	1.50	132	377	10.88	8.0	1.65	149	334	9.64	7.8	1.80	168	298	8.59	7.7	2.00	186	268	7.74	7.5	2.20	212	235	6.79	7.2	2.30	240	208	5.99	7.0	2.50	271	184	5.31	6.7	2.60																																																																																																																																																																																																																																																																																																																																																																																																																																												
53	942	27.19	19	2.60					58	867	25.03					19	3.10	64	775	22.37			18	3.30	71	698	20.14			17	3.50	79	632	18.24			17	3.70	89			560	16.17	16	4.00	30			1656	47.79	15	0.90	34	1453	41.92	16	1.00	39	1282	37.00			16	1.15	44	1137	32.80			16	1.30	51	970	28.00	15	1.45	52	969	27.96	15	1.50	61	815	23.51	15	1.80	67	748	21.60	14	1.90	75	665	19.18	14	2.00	84	594	17.15	14	2.20	93	534	15.42	13	2.40	108	464	13.38	13	2.60	120	415	11.98	12	2.80	145	344	9.94	12	3.20	158	317	9.14	12	3.60	175	285	8.22	11	3.80	202	247	7.13	11	4.10	77	651	18.80	8.8	1.15	81	617	17.82	8.9	1.20	92	541	15.60	8.7	1.30	102	487	14.05	8.5	1.40	117	427	12.33	8.3	1.50	132	377	10.88	8.0	1.65	149	334	9.64	7.8	1.80	168	298	8.59	7.7	2.00	186	268	7.74	7.5	2.20	212	235	6.79	7.2	2.30	240	208	5.99	7.0	2.50	271	184	5.31	6.7	2.60																																																																																																																																																																																																																																																																																																																																																																																																																																																					
58	867	25.03	19	3.10					64	775	22.37	18	3.30			71	698	20.14	17	3.50			79	632	18.24	17	3.70			89	560	16.17	16	4.00			30	1656	47.79			15	0.90	34	1453	41.92			16	1.00	39	1282	37.00	16	1.15	44	1137	32.80	16	1.30			51	970	28.00	15	1.45	52	969	27.96	15	1.50	61	815	23.51	15	1.80	67	748	21.60	14	1.90	75	665	19.18	14	2.00	84	594	17.15	14	2.20	93	534	15.42	13	2.40	108	464	13.38	13	2.60	120	415	11.98	12	2.80	145	344	9.94	12	3.20	158	317	9.14	12	3.60	175	285	8.22	11	3.80	202	247	7.13	11	4.10	77	651	18.80	8.8	1.15	81	617	17.82	8.9	1.20	92	541	15.60	8.7	1.30	102	487	14.05	8.5	1.40	117	427	12.33	8.3	1.50	132	377	10.88	8.0	1.65	149	334	9.64	7.8	1.80	168	298	8.59	7.7	2.00	186	268	7.74	7.5	2.20	212	235	6.79	7.2	2.30	240	208	5.99	7.0	2.50	271	184	5.31	6.7	2.60																																																																																																																																																																																																																																																																																																																																																																																																																																																														
64	775	22.37	18	3.30	71	698			20.14	17	3.50	79	632			18.24	17	3.70	89	560			16.17	16	4.00	30	1656			47.79	15	0.90	34	1453			41.92	16	1.00			39	1282	37.00	16	1.15			44	1137	32.80	16	1.30	51	970	28.00	15	1.45	52	969	27.96	15	1.50	61	815	23.51	15	1.80	67	748	21.60	14	1.90	75	665	19.18	14	2.00	84	594	17.15	14	2.20	93	534	15.42	13	2.40	108	464	13.38	13	2.60	120	415	11.98	12	2.80	145	344	9.94	12	3.20	158	317	9.14	12	3.60	175	285	8.22	11	3.80	202	247	7.13	11	4.10	77	651	18.80	8.8	1.15	81	617	17.82	8.9	1.20	92	541	15.60	8.7	1.30	102	487	14.05	8.5	1.40	117	427	12.33	8.3	1.50	132	377	10.88	8.0	1.65	149	334	9.64	7.8	1.80	168	298	8.59	7.7	2.00	186	268	7.74	7.5	2.20	212	235	6.79	7.2	2.30	240	208	5.99	7.0	2.50	271	184	5.31	6.7	2.60																																																																																																																																																																																																																																																																																																																																																																																																																																																																							
71	698	20.14	17	3.50	79	632			18.24	17	3.70	89	560			16.17	16	4.00	30	1656			47.79	15	0.90	34	1453			41.92	16	1.00	39	1282			37.00	16	1.15			44	1137	32.80	16	1.30	51	970	28.00	15	1.45	52	969	27.96	15	1.50	61	815	23.51	15	1.80	67	748	21.60	14	1.90	75	665	19.18	14	2.00	84	594	17.15	14	2.20	93	534	15.42	13	2.40	108	464	13.38	13	2.60	120	415	11.98	12	2.80	145	344	9.94	12	3.20	158	317	9.14	12	3.60	175	285	8.22	11	3.80	202	247	7.13	11	4.10	77	651	18.80	8.8	1.15	81	617	17.82	8.9	1.20	92	541	15.60	8.7	1.30	102	487	14.05	8.5	1.40	117	427	12.33	8.3	1.50	132	377	10.88	8.0	1.65	149	334	9.64	7.8	1.80	168	298	8.59	7.7	2.00	186	268	7.74	7.5	2.20	212	235	6.79	7.2	2.30	240	208	5.99	7.0	2.50	271	184	5.31	6.7	2.60																																																																																																																																																																																																																																																																																																																																																																																																																																																																														
79	632	18.24	17	3.70	89	560			16.17	16	4.00	30	1656			47.79	15	0.90	34	1453			41.92	16	1.00	39	1282			37.00	16	1.15	44	1137			32.80	16	1.30	51	970	28.00	15	1.45	52	969	27.96	15	1.50	61	815	23.51	15	1.80	67	748	21.60	14	1.90	75	665	19.18	14	2.00	84	594	17.15	14	2.20	93	534	15.42	13	2.40	108	464	13.38	13	2.60	120	415	11.98	12	2.80	145	344	9.94	12	3.20	158	317	9.14	12	3.60	175	285	8.22	11	3.80	202	247	7.13	11	4.10	77	651	18.80	8.8	1.15	81	617	17.82	8.9	1.20	92	541	15.60	8.7	1.30	102	487	14.05	8.5	1.40	117	427	12.33	8.3	1.50	132	377	10.88	8.0	1.65	149	334	9.64	7.8	1.80	168	298	8.59	7.7	2.00	186	268	7.74	7.5	2.20	212	235	6.79	7.2	2.30	240	208	5.99	7.0	2.50	271	184	5.31	6.7	2.60																																																																																																																																																																																																																																																																																																																																																																																																																																																																																					
89	560	16.17	16	4.00	30	1656			47.79	15	0.90	34	1453			41.92	16	1.00	39	1282			37.00	16	1.15	44	1137			32.80	16	1.30	51	970	28.00	15	1.45	52	969	27.96	15	1.50	61	815	23.51	15	1.80	67	748	21.60	14	1.90	75	665	19.18	14	2.00	84	594	17.15	14	2.20	93	534	15.42	13	2.40	108	464	13.38	13	2.60	120	415	11.98	12	2.80	145	344	9.94	12	3.20	158	317	9.14	12	3.60	175	285	8.22	11	3.80	202	247	7.13	11	4.10	77	651	18.80	8.8	1.15	81	617	17.82	8.9	1.20	92	541	15.60	8.7	1.30	102	487	14.05	8.5	1.40	117	427	12.33	8.3	1.50	132	377	10.88	8.0	1.65	149	334	9.64	7.8	1.80	168	298	8.59	7.7	2.00	186	268	7.74	7.5	2.20	212	235	6.79	7.2	2.30	240	208	5.99	7.0	2.50	271	184	5.31	6.7	2.60																																																																																																																																																																																																																																																																																																																																																																																																																																																																																												
30	1656	47.79	15	0.90	34	1453			41.92	16	1.00	39	1282			37.00	16	1.15	44	1137			32.80	16	1.30	51	970	28.00	15	1.45	52	969	27.96	15	1.50	61	815	23.51	15	1.80	67	748	21.60	14	1.90	75	665	19.18	14	2.00	84	594	17.15	14	2.20	93	534	15.42	13	2.40	108	464	13.38	13	2.60	120	415	11.98	12	2.80	145	344	9.94	12	3.20	158	317	9.14	12	3.60	175	285	8.22	11	3.80	202	247	7.13	11	4.10	77	651	18.80	8.8	1.15	81	617	17.82	8.9	1.20	92	541	15.60	8.7	1.30	102	487	14.05	8.5	1.40	117	427	12.33	8.3	1.50	132	377	10.88	8.0	1.65	149	334	9.64	7.8	1.80	168	298	8.59	7.7	2.00	186	268	7.74	7.5	2.20	212	235	6.79	7.2	2.30	240	208	5.99	7.0	2.50	271	184	5.31	6.7	2.60																																																																																																																																																																																																																																																																																																																																																																																																																																																																																																			
34	1453	41.92	16	1.00	39	1282			37.00	16	1.15	44	1137			32.80	16	1.30	51	970	28.00	15	1.45	52	969	27.96	15	1.50	61	815	23.51	15	1.80	67	748	21.60	14	1.90	75	665	19.18	14	2.00	84	594	17.15	14	2.20	93	534	15.42	13	2.40	108	464	13.38	13	2.60	120	415	11.98	12	2.80	145	344	9.94	12	3.20	158	317	9.14	12	3.60	175	285	8.22	11	3.80	202	247	7.13	11	4.10	77	651	18.80	8.8	1.15	81	617	17.82	8.9	1.20	92	541	15.60	8.7	1.30	102	487	14.05	8.5	1.40	117	427	12.33	8.3	1.50	132	377	10.88	8.0	1.65	149	334	9.64	7.8	1.80	168	298	8.59	7.7	2.00	186	268	7.74	7.5	2.20	212	235	6.79	7.2	2.30	240	208	5.99	7.0	2.50	271	184	5.31	6.7	2.60																																																																																																																																																																																																																																																																																																																																																																																																																																																																																																										
39	1282	37.00	16	1.15	44	1137			32.80	16	1.30	51	970	28.00	15	1.45	52	969	27.96	15	1.50	61	815	23.51	15	1.80	67	748	21.60	14	1.90	75	665	19.18	14	2.00	84	594	17.15	14	2.20	93	534	15.42	13	2.40	108	464	13.38	13	2.60	120	415	11.98	12	2.80	145	344	9.94	12	3.20	158	317	9.14	12	3.60	175	285	8.22	11	3.80	202	247	7.13	11	4.10	77	651	18.80	8.8	1.15	81	617	17.82	8.9	1.20	92	541	15.60	8.7	1.30	102	487	14.05	8.5	1.40	117	427	12.33	8.3	1.50	132	377	10.88	8.0	1.65	149	334	9.64	7.8	1.80	168	298	8.59	7.7	2.00	186	268	7.74	7.5	2.20	212	235	6.79	7.2	2.30	240	208	5.99	7.0	2.50	271	184	5.31	6.7	2.60																																																																																																																																																																																																																																																																																																																																																																																																																																																																																																																	
44	1137	32.80	16	1.30	51	970	28.00	15	1.45	52	969	27.96	15	1.50	61	815	23.51	15	1.80	67	748	21.60	14	1.90	75	665	19.18	14	2.00	84	594	17.15	14	2.20	93	534	15.42	13	2.40	108	464	13.38	13	2.60	120	415	11.98	12	2.80	145	344	9.94	12	3.20	158	317	9.14	12	3.60	175	285	8.22	11	3.80	202	247	7.13	11	4.10	77	651	18.80	8.8	1.15	81	617	17.82	8.9	1.20	92	541	15.60	8.7	1.30	102	487	14.05	8.5	1.40	117	427	12.33	8.3	1.50	132	377	10.88	8.0	1.65	149	334	9.64	7.8	1.80	168	298	8.59	7.7	2.00	186	268	7.74	7.5	2.20	212	235	6.79	7.2	2.30	240	208	5.99	7.0	2.50	271	184	5.31	6.7	2.60																																																																																																																																																																																																																																																																																																																																																																																																																																																																																																																								
51	970	28.00	15	1.45	52	969	27.96	15	1.50	61	815	23.51	15	1.80	67	748	21.60	14	1.90	75	665	19.18	14	2.00	84	594	17.15	14	2.20	93	534	15.42	13	2.40	108	464	13.38	13	2.60	120	415	11.98	12	2.80	145	344	9.94	12	3.20	158	317	9.14	12	3.60	175	285	8.22	11	3.80	202	247	7.13	11	4.10	77	651	18.80	8.8	1.15	81	617	17.82	8.9	1.20	92	541	15.60	8.7	1.30	102	487	14.05	8.5	1.40	117	427	12.33	8.3	1.50	132	377	10.88	8.0	1.65	149	334	9.64	7.8	1.80	168	298	8.59	7.7	2.00	186	268	7.74	7.5	2.20	212	235	6.79	7.2	2.30	240	208	5.99	7.0	2.50	271	184	5.31	6.7	2.60																																																																																																																																																																																																																																																																																																																																																																																																																																																																																																																													
52	969	27.96	15	1.50	61	815	23.51	15	1.80	67	748	21.60	14	1.90	75	665	19.18	14	2.00	84	594	17.15	14	2.20	93	534	15.42	13	2.40	108	464	13.38	13	2.60	120	415	11.98	12	2.80	145	344	9.94	12	3.20	158	317	9.14	12	3.60	175	285	8.22	11	3.80	202	247	7.13	11	4.10	77	651	18.80	8.8	1.15	81	617	17.82	8.9	1.20	92	541	15.60	8.7	1.30	102	487	14.05	8.5	1.40	117	427	12.33	8.3	1.50	132	377	10.88	8.0	1.65	149	334	9.64	7.8	1.80	168	298	8.59	7.7	2.00	186	268	7.74	7.5	2.20	212	235	6.79	7.2	2.30	240	208	5.99	7.0	2.50	271	184	5.31	6.7	2.60																																																																																																																																																																																																																																																																																																																																																																																																																																																																																																																																		
61	815	23.51	15	1.80	67	748	21.60	14	1.90	75	665	19.18	14	2.00	84	594	17.15	14	2.20	93	534	15.42	13	2.40	108	464	13.38	13	2.60	120	415	11.98	12	2.80	145	344	9.94	12	3.20	158	317	9.14	12	3.60	175	285	8.22	11	3.80	202	247	7.13	11	4.10	77	651	18.80	8.8	1.15	81	617	17.82	8.9	1.20	92	541	15.60	8.7	1.30	102	487	14.05	8.5	1.40	117	427	12.33	8.3	1.50	132	377	10.88	8.0	1.65	149	334	9.64	7.8	1.80	168	298	8.59	7.7	2.00	186	268	7.74	7.5	2.20	212	235	6.79	7.2	2.30	240	208	5.99	7.0	2.50	271	184	5.31	6.7	2.60																																																																																																																																																																																																																																																																																																																																																																																																																																																																																																																																							
67	748	21.60	14	1.90	75	665	19.18	14	2.00	84	594	17.15	14	2.20	93	534	15.42	13	2.40	108	464	13.38	13	2.60	120	415	11.98	12	2.80	145	344	9.94	12	3.20	158	317	9.14	12	3.60	175	285	8.22	11	3.80	202	247	7.13	11	4.10	77	651	18.80	8.8	1.15	81	617	17.82	8.9	1.20	92	541	15.60	8.7	1.30	102	487	14.05	8.5	1.40	117	427	12.33	8.3	1.50	132	377	10.88	8.0	1.65	149	334	9.64	7.8	1.80	168	298	8.59	7.7	2.00	186	268	7.74	7.5	2.20	212	235	6.79	7.2	2.30	240	208	5.99	7.0	2.50	271	184	5.31	6.7	2.60																																																																																																																																																																																																																																																																																																																																																																																																																																																																																																																																												
75	665	19.18	14	2.00	84	594	17.15	14	2.20	93	534	15.42	13	2.40	108	464	13.38	13	2.60	120	415	11.98	12	2.80	145	344	9.94	12	3.20	158	317	9.14	12	3.60	175	285	8.22	11	3.80	202	247	7.13	11	4.10	77	651	18.80	8.8	1.15	81	617	17.82	8.9	1.20	92	541	15.60	8.7	1.30	102	487	14.05	8.5	1.40	117	427	12.33	8.3	1.50	132	377	10.88	8.0	1.65	149	334	9.64	7.8	1.80	168	298	8.59	7.7	2.00	186	268	7.74	7.5	2.20	212	235	6.79	7.2	2.30	240	208	5.99	7.0	2.50	271	184	5.31	6.7	2.60																																																																																																																																																																																																																																																																																																																																																																																																																																																																																																																																																	
84	594	17.15	14	2.20	93	534	15.42	13	2.40	108	464	13.38	13	2.60	120	415	11.98	12	2.80	145	344	9.94	12	3.20	158	317	9.14	12	3.60	175	285	8.22	11	3.80	202	247	7.13	11	4.10	77	651	18.80	8.8	1.15	81	617	17.82	8.9	1.20	92	541	15.60	8.7	1.30	102	487	14.05	8.5	1.40	117	427	12.33	8.3	1.50	132	377	10.88	8.0	1.65	149	334	9.64	7.8	1.80	168	298	8.59	7.7	2.00	186	268	7.74	7.5	2.20	212	235	6.79	7.2	2.30	240	208	5.99	7.0	2.50	271	184	5.31	6.7	2.60																																																																																																																																																																																																																																																																																																																																																																																																																																																																																																																																																						
93	534	15.42	13	2.40	108	464	13.38	13	2.60	120	415	11.98	12	2.80	145	344	9.94	12	3.20	158	317	9.14	12	3.60	175	285	8.22	11	3.80	202	247	7.13	11	4.10	77	651	18.80	8.8	1.15	81	617	17.82	8.9	1.20	92	541	15.60	8.7	1.30	102	487	14.05	8.5	1.40	117	427	12.33	8.3	1.50	132	377	10.88	8.0	1.65	149	334	9.64	7.8	1.80	168	298	8.59	7.7	2.00	186	268	7.74	7.5	2.20	212	235	6.79	7.2	2.30	240	208	5.99	7.0	2.50	271	184	5.31	6.7	2.60																																																																																																																																																																																																																																																																																																																																																																																																																																																																																																																																																											
108	464	13.38	13	2.60	120	415	11.98	12	2.80	145	344	9.94	12	3.20	158	317	9.14	12	3.60	175	285	8.22	11	3.80	202	247	7.13	11	4.10	77	651	18.80	8.8	1.15	81	617	17.82	8.9	1.20	92	541	15.60	8.7	1.30	102	487	14.05	8.5	1.40	117	427	12.33	8.3	1.50	132	377	10.88	8.0	1.65	149	334	9.64	7.8	1.80	168	298	8.59	7.7	2.00	186	268	7.74	7.5	2.20	212	235	6.79	7.2	2.30	240	208	5.99	7.0	2.50	271	184	5.31	6.7	2.60																																																																																																																																																																																																																																																																																																																																																																																																																																																																																																																																																																
120	415	11.98	12	2.80	145	344	9.94	12	3.20	158	317	9.14	12	3.60	175	285	8.22	11	3.80	202	247	7.13	11	4.10	77	651	18.80	8.8	1.15	81	617	17.82	8.9	1.20	92	541	15.60	8.7	1.30	102	487	14.05	8.5	1.40	117	427	12.33	8.3	1.50	132	377	10.88	8.0	1.65	149	334	9.64	7.8	1.80	168	298	8.59	7.7	2.00	186	268	7.74	7.5	2.20	212	235	6.79	7.2	2.30	240	208	5.99	7.0	2.50	271	184	5.31	6.7	2.60																																																																																																																																																																																																																																																																																																																																																																																																																																																																																																																																																																					
145	344	9.94	12	3.20	158	317	9.14	12	3.60	175	285	8.22	11	3.80	202	247	7.13	11	4.10	77	651	18.80	8.8	1.15	81	617	17.82	8.9	1.20	92	541	15.60	8.7	1.30	102	487	14.05	8.5	1.40	117	427	12.33	8.3	1.50	132	377	10.88	8.0	1.65	149	334	9.64	7.8	1.80	168	298	8.59	7.7	2.00	186	268	7.74	7.5	2.20	212	235	6.79	7.2	2.30	240	208	5.99	7.0	2.50	271	184	5.31	6.7	2.60																																																																																																																																																																																																																																																																																																																																																																																																																																																																																																																																																																										
158	317	9.14	12	3.60	175	285	8.22	11	3.80	202	247	7.13	11	4.10	77	651	18.80	8.8	1.15	81	617	17.82	8.9	1.20	92	541	15.60	8.7	1.30	102	487	14.05	8.5	1.40	117	427	12.33	8.3	1.50	132	377	10.88	8.0	1.65	149	334	9.64	7.8	1.80	168	298	8.59	7.7	2.00	186	268	7.74	7.5	2.20	212	235	6.79	7.2	2.30	240	208	5.99	7.0	2.50	271	184	5.31	6.7	2.60																																																																																																																																																																																																																																																																																																																																																																																																																																																																																																																																																																															
175	285	8.22	11	3.80	202	247	7.13	11	4.10	77	651	18.80	8.8	1.15	81	617	17.82	8.9	1.20	92	541	15.60	8.7	1.30	102	487	14.05	8.5	1.40	117	427	12.33	8.3	1.50	132	377	10.88	8.0	1.65	149	334	9.64	7.8	1.80	168	298	8.59	7.7	2.00	186	268	7.74	7.5	2.20	212	235	6.79	7.2	2.30	240	208	5.99	7.0	2.50	271	184	5.31	6.7	2.60																																																																																																																																																																																																																																																																																																																																																																																																																																																																																																																																																																																				
202	247	7.13	11	4.10	77	651	18.80	8.8	1.15	81	617	17.82	8.9	1.20	92	541	15.60	8.7	1.30	102	487	14.05	8.5	1.40	117	427	12.33	8.3	1.50	132	377	10.88	8.0	1.65	149	334	9.64	7.8	1.80	168	298	8.59	7.7	2.00	186	268	7.74	7.5	2.20	212	235	6.79	7.2	2.30	240	208	5.99	7.0	2.50	271	184	5.31	6.7	2.60																																																																																																																																																																																																																																																																																																																																																																																																																																																																																																																																																																																									
77	651	18.80	8.8	1.15	81	617	17.82	8.9	1.20	92	541	15.60	8.7	1.30	102	487	14.05	8.5	1.40	117	427	12.33	8.3	1.50	132	377	10.88	8.0	1.65	149	334	9.64	7.8	1.80	168	298	8.59	7.7	2.00	186	268	7.74	7.5	2.20	212	235	6.79	7.2	2.30	240	208	5.99	7.0	2.50	271	184	5.31	6.7	2.60																																																																																																																																																																																																																																																																																																																																																																																																																																																																																																																																																																																														
81	617	17.82	8.9	1.20	92	541	15.60	8.7	1.30	102	487	14.05	8.5	1.40	117	427	12.33	8.3	1.50	132	377	10.88	8.0	1.65	149	334	9.64	7.8	1.80	168	298	8.59	7.7	2.00	186	268	7.74	7.5	2.20	212	235	6.79	7.2	2.30	240	208	5.99	7.0	2.50	271	184	5.31	6.7	2.60																																																																																																																																																																																																																																																																																																																																																																																																																																																																																																																																																																																																			
92	541	15.60	8.7	1.30	102	487	14.05	8.5	1.40	117	427	12.33	8.3	1.50	132	377	10.88	8.0	1.65	149	334	9.64	7.8	1.80	168	298	8.59	7.7	2.00	186	268	7.74	7.5	2.20	212	235	6.79	7.2	2.30	240	208	5.99	7.0	2.50	271	184	5.31	6.7	2.60																																																																																																																																																																																																																																																																																																																																																																																																																																																																																																																																																																																																								
102	487	14.05	8.5	1.40	117	427	12.33	8.3	1.50	132	377	10.88	8.0	1.65	149	334	9.64	7.8	1.80	168	298	8.59	7.7	2.00	186	268	7.74	7.5	2.20	212	235	6.79	7.2	2.30	240	208	5.99	7.0	2.50	271	184	5.31	6.7	2.60																																																																																																																																																																																																																																																																																																																																																																																																																																																																																																																																																																																																													
117	427	12.33	8.3	1.50	132	377	10.88	8.0	1.65	149	334	9.64	7.8	1.80	168	298	8.59	7.7	2.00	186	268	7.74	7.5	2.20	212	235	6.79	7.2	2.30	240	208	5.99	7.0	2.50	271	184	5.31	6.7	2.60																																																																																																																																																																																																																																																																																																																																																																																																																																																																																																																																																																																																																		
132	377	10.88	8.0	1.65	149	334	9.64	7.8	1.80	168	298	8.59	7.7	2.00	186	268	7.74	7.5	2.20	212	235	6.79	7.2	2.30	240	208	5.99	7.0	2.50	271	184	5.31	6.7	2.60																																																																																																																																																																																																																																																																																																																																																																																																																																																																																																																																																																																																																							
149	334	9.64	7.8	1.80	168	298	8.59	7.7	2.00	186	268	7.74	7.5	2.20	212	235	6.79	7.2	2.30	240	208	5.99	7.0	2.50	271	184	5.31	6.7	2.60																																																																																																																																																																																																																																																																																																																																																																																																																																																																																																																																																																																																																												
168	298	8.59	7.7	2.00	186	268	7.74	7.5	2.20	212	235	6.79	7.2	2.30	240	208	5.99	7.0	2.50	271	184	5.31	6.7	2.60																																																																																																																																																																																																																																																																																																																																																																																																																																																																																																																																																																																																																																	
186	268	7.74	7.5	2.20	212	235	6.79	7.2	2.30	240	208	5.99	7.0	2.50	271	184	5.31	6.7	2.60																																																																																																																																																																																																																																																																																																																																																																																																																																																																																																																																																																																																																																						
212	235	6.79	7.2	2.30	240	208	5.99	7.0	2.50	271	184	5.31	6.7	2.60																																																																																																																																																																																																																																																																																																																																																																																																																																																																																																																																																																																																																																											
240	208	5.99	7.0	2.50	271	184	5.31	6.7	2.60																																																																																																																																																																																																																																																																																																																																																																																																																																																																																																																																																																																																																																																
271	184	5.31	6.7	2.60																																																																																																																																																																																																																																																																																																																																																																																																																																																																																																																																																																																																																																																					

选型参数表
(恒功率)

Selection Table
(Constant Power)

n_a [r/min]	M_a [Nm]	i	F_{ra} [kN]	f_B	机型号 Type size	极数 Pole	n_a [r/min]	M_a [Nm]	i	F_{ra} [kN]	f_B	机型号 Type size	极数 Pole																																																																																																																																																																																																																																																																																																																																																																																																																																																																																																																							
5.5kW							5.5kW																																																																																																																																																																																																																																																																																																																																																																																																																																																																																																																													
91	547	15.79	6.3	0.95	GR67 GRF67	4P	735	70	1.96	5.8	7.90	GRX97	4P																																																																																																																																																																																																																																																																																																																																																																																																																																																																																																																							
97	517	14.91	6.6	1.00			113	440	12.70	6.5	1.10	125		400	11.54	6.4	1.20	144	347	10.00	6.2	1.30	166	301	8.70	6.0	1.40	185	270	7.79	5.9	1.35	196	255	7.36	5.8	1.35	230	217	6.27	5.6	1.45	253	198	5.70	5.4	1.50	292	171	4.93	5.2	1.60	336	149	4.29	5.0	1.70	333	150	8.70	5.0	2.80	GR67 GRF67	2P	468	110	3.08	4.0	1.70	GRX77 GRXF77	4P	372	134	7.79	4.9	2.70	394	127	7.36	4.8	2.80	463	108	6.27	4.6	2.90	509	98	5.70	4.5	3.00	588	85	4.93	4.3	3.20	676	74	4.29	4.1	3.50	567	90	2.54	2.4	1.25	600	85	2.40	2.4	1.40	706	73	2.04	2.3	1.80	774	66	1.86	2.3	1.85	894	57	1.61	2.2	1.95	1029	50	1.40	2.1	2.00	706	73	2.04	0.6	0.90	750	68	1.92	0.7	1.00	873	59	1.65	0.9	1.15	973	53	1.48	1.0	1.25	1108	46	1.30	1.1	1.30	7.5kW							7.5kW							310	161	9.35	2.8	2.20	GR57 GRF57	2P	1.6	45780	914	128	0.80	GR177R107 GRF177R107	4P	364	137	7.97	2.7	2.40	385	130	7.53	2.7	2.50	452	110	6.41	2.6	2.90	498	100	5.82	2.5	3.00	574	87	5.05	2.4	3.30	661	76	4.39	2.3	3.50	297	168	4.85	1.8	0.85	332	150	4.34	2.0	0.90	376	133	3.83	2.0	1.00	231	216	12.54	1.6	1.10	GR47 GRF47	2P	3.8	19234	384	128	1.90	246	203	11.79	1.8	1.15	286	175	10.15	2.1	1.25	320	156	9.07	2.1	1.35	362	138	8.01	2.1	1.40	483	103	6.00	1.9	1.45	514	97	5.64	1.9	1.50	598	83	4.85	1.8	1.70	668	75	4.34	1.8	1.85	757	66	3.83	1.7	2.10	221	238	6.52	1.6	4.80	244	216	5.91	1.6	6.25	217	236	6.63	10	1.90	257	200	5.61	9.5	2.20	277	185	5.19	9.3	3.70	310	165	4.65	9.0	4.10	249	206	5.79	8.0	1.95	293	175	4.91	7.6	2.20	319	161	4.52	7.4	3.60	356	144	4.04	7.2	4.00	396	129	3.64	7.0	4.40	436	117	3.30	6.8	4.90	493	104	2.92	6.5	5.50	545	94	2.64	6.4	6.10	643	80	2.24	6.0	7.20	4.1	17380	347	128	2.10	4.6	15778	315	128	2.30	5.2	13974	279	128	2.60	5.7	12722	254	128	2.85	1.8	39294	790	128	0.95	2.0	35116	706	128	1.05	2.3	30689	617	128	1.20	2.7	26611	535	128	1.40	3.0	23825	479	128	1.55	3.2	22582	454	128	1.60	3.5	20194	406	128	1.80	4.1	17608	354	128	2.10	4.8	15071	303	128	2.45	2.8	22984	512	54	0.80	3.3	19572	436	59	0.95	3.8	16968	378	62	1.10	4.3	15173	338	64	1.20	4.7	13826	308	66	1.30	5.1	12569	280	67	1.45	4.5	14365	320	48	0.90	5.1	12614	281	60	1.05	5.8	11133	248	62	1.20	6.9	9427	210	65	1.40	7.8	8305	185	66	1.60	8.9	7227	161	67	1.80																														
113	440	12.70	6.5	1.10			125	400	11.54	6.4	1.20	144		347	10.00	6.2	1.30	166	301	8.70	6.0	1.40	185	270	7.79	5.9	1.35	196	255	7.36	5.8	1.35	230	217	6.27	5.6	1.45	253	198	5.70	5.4	1.50	292	171	4.93	5.2	1.60	336	149	4.29	5.0	1.70	333	150	8.70	5.0	2.80	GR67 GRF67	2P	468	110	3.08			4.0	1.70	GRX77 GRXF77	4P	372			134	7.79	4.9	2.70	394	127	7.36	4.8	2.80	463	108	6.27	4.6	2.90	509	98	5.70	4.5	3.00	588	85	4.93	4.3	3.20	676	74	4.29	4.1	3.50	567	90	2.54	2.4	1.25	600	85	2.40	2.4	1.40	706	73	2.04	2.3	1.80	774	66	1.86	2.3	1.85	894	57	1.61	2.2	1.95	1029	50	1.40	2.1	2.00	706	73	2.04	0.6	0.90	750	68	1.92	0.7	1.00	873	59	1.65	0.9	1.15	973	53	1.48	1.0	1.25	1108	46	1.30	1.1	1.30	7.5kW							7.5kW							310	161	9.35	2.8	2.20	GR57 GRF57			2P	1.6	45780	914	128			0.80	GR177R107 GRF177R107	4P	364	137	7.97	2.7	2.40	385	130	7.53	2.7	2.50	452	110	6.41	2.6	2.90	498	100	5.82	2.5	3.00	574	87	5.05	2.4	3.30	661	76	4.39	2.3	3.50	297	168	4.85	1.8	0.85	332	150	4.34	2.0	0.90	376	133	3.83	2.0	1.00	231	216			12.54	1.6	1.10	GR47 GRF47	2P	3.8	19234	384	128	1.90	246	203	11.79	1.8	1.15	286	175	10.15	2.1	1.25	320	156	9.07	2.1	1.35	362	138	8.01	2.1	1.40	483	103	6.00	1.9	1.45	514	97	5.64	1.9	1.50	598	83	4.85	1.8	1.70	668	75	4.34	1.8	1.85	757	66	3.83	1.7	2.10	221	238	6.52	1.6	4.80	244	216	5.91	1.6	6.25	217	236	6.63	10	1.90	257	200	5.61	9.5	2.20	277	185	5.19	9.3	3.70	310	165	4.65	9.0	4.10	249	206	5.79	8.0	1.95	293	175	4.91	7.6	2.20	319	161	4.52	7.4	3.60	356	144	4.04	7.2	4.00	396	129	3.64	7.0	4.40	436	117	3.30	6.8	4.90	493	104	2.92	6.5	5.50	545	94	2.64	6.4	6.10	643	80	2.24	6.0	7.20	4.1	17380	347	128	2.10	4.6	15778	315	128	2.30	5.2	13974	279	128	2.60	5.7	12722	254	128	2.85	1.8	39294	790	128	0.95	2.0	35116	706	128	1.05	2.3	30689	617	128	1.20	2.7	26611	535	128	1.40	3.0	23825	479	128	1.55	3.2	22582	454	128	1.60	3.5	20194	406	128	1.80	4.1	17608	354	128	2.10	4.8	15071	303	128	2.45	2.8	22984	512	54	0.80	3.3	19572	436	59	0.95	3.8	16968	378	62	1.10	4.3	15173	338	64	1.20	4.7	13826	308	66	1.30	5.1	12569	280	67	1.45	4.5	14365	320	48	0.90	5.1	12614	281	60	1.05	5.8	11133	248	62	1.20	6.9	9427	210	65	1.40	7.8	8305	185	66	1.60	8.9	7227	161	67	1.80																									
125	400	11.54	6.4	1.20			144	347	10.00	6.2	1.30	166		301	8.70	6.0	1.40	185	270	7.79	5.9	1.35	196	255	7.36	5.8	1.35	230	217	6.27	5.6	1.45	253	198	5.70	5.4	1.50	292	171	4.93	5.2	1.60	336	149	4.29	5.0	1.70	333	150	8.70	5.0	2.80	GR67 GRF67	2P	468	110	3.08			4.0	1.70	GRX77 GRXF77			4P	372			134			7.79	4.9	2.70	394	127	7.36	4.8	2.80	463	108	6.27	4.6	2.90	509	98	5.70	4.5	3.00	588	85	4.93	4.3	3.20	676	74	4.29	4.1	3.50	567	90	2.54	2.4	1.25	600	85	2.40	2.4	1.40	706	73	2.04	2.3	1.80	774	66	1.86	2.3	1.85	894	57	1.61	2.2	1.95	1029	50	1.40	2.1	2.00	706	73	2.04	0.6	0.90	750	68	1.92	0.7	1.00	873	59	1.65	0.9	1.15	973	53	1.48	1.0	1.25	1108	46	1.30	1.1	1.30	7.5kW							7.5kW							310	161	9.35	2.8	2.20	GR57 GRF57					2P	1.6	45780	914			128			0.80	GR177R107 GRF177R107	4P	364	137	7.97	2.7	2.40	385	130	7.53	2.7	2.50	452	110	6.41	2.6	2.90	498	100	5.82	2.5	3.00	574	87	5.05	2.4	3.30	661	76	4.39	2.3	3.50	297	168	4.85	1.8	0.85	332	150	4.34	2.0	0.90	376	133	3.83	2.0			1.00	231	216			12.54	1.6	1.10	GR47 GRF47	2P	3.8	19234	384	128	1.90	246	203	11.79	1.8	1.15	286	175	10.15	2.1	1.25	320	156	9.07	2.1	1.35	362	138	8.01	2.1	1.40	483	103	6.00	1.9	1.45	514	97	5.64	1.9	1.50	598	83	4.85	1.8	1.70	668	75	4.34	1.8	1.85	757	66	3.83	1.7	2.10	221	238	6.52	1.6	4.80	244	216	5.91	1.6	6.25	217	236	6.63	10	1.90	257	200	5.61	9.5	2.20	277	185	5.19	9.3	3.70	310	165	4.65	9.0	4.10	249	206	5.79	8.0	1.95	293	175	4.91	7.6	2.20	319	161	4.52	7.4	3.60	356	144	4.04	7.2	4.00	396	129	3.64	7.0	4.40	436	117	3.30	6.8	4.90	493	104	2.92	6.5	5.50	545	94	2.64	6.4	6.10	643	80	2.24	6.0	7.20	4.1	17380	347	128	2.10	4.6	15778	315	128	2.30	5.2	13974	279	128	2.60	5.7	12722	254	128	2.85	1.8	39294	790	128	0.95	2.0	35116	706	128	1.05	2.3	30689	617	128	1.20	2.7	26611	535	128	1.40	3.0	23825	479	128	1.55	3.2	22582	454	128	1.60	3.5	20194	406	128	1.80	4.1	17608	354	128	2.10	4.8	15071	303	128	2.45	2.8	22984	512	54	0.80	3.3	19572	436	59	0.95	3.8	16968	378	62	1.10	4.3	15173	338	64	1.20	4.7	13826	308	66	1.30	5.1	12569	280	67	1.45	4.5	14365	320	48	0.90	5.1	12614	281	60	1.05	5.8	11133	248	62	1.20	6.9	9427	210	65	1.40	7.8	8305	185	66	1.60	8.9	7227	161	67	1.80																				
144	347	10.00	6.2	1.30			166	301	8.70	6.0	1.40	185		270	7.79	5.9	1.35	196	255	7.36	5.8	1.35	230	217	6.27	5.6	1.45	253	198	5.70	5.4	1.50	292	171	4.93	5.2	1.60	336	149	4.29	5.0	1.70	333	150	8.70	5.0	2.80	GR67 GRF67	2P	468	110	3.08			4.0	1.70	GRX77 GRXF77			4P	372					134			7.79			4.9	2.70	394	127	7.36	4.8	2.80	463	108	6.27	4.6	2.90	509	98	5.70	4.5	3.00	588	85	4.93	4.3	3.20	676	74	4.29	4.1	3.50	567	90	2.54	2.4	1.25	600	85	2.40	2.4	1.40	706	73	2.04	2.3	1.80	774	66	1.86	2.3	1.85	894	57	1.61	2.2	1.95	1029	50	1.40	2.1	2.00	706	73	2.04	0.6	0.90	750	68	1.92	0.7	1.00	873	59	1.65	0.9	1.15	973	53	1.48	1.0	1.25	1108	46	1.30	1.1	1.30	7.5kW							7.5kW							310	161	9.35	2.8	2.20	GR57 GRF57							2P	1.6	45780			914			128			0.80	GR177R107 GRF177R107	4P	364	137	7.97	2.7	2.40	385	130	7.53	2.7	2.50	452	110	6.41	2.6	2.90	498	100	5.82	2.5	3.00	574	87	5.05	2.4	3.30	661	76	4.39	2.3	3.50	297	168	4.85	1.8	0.85	332	150	4.34	2.0	0.90	376			133	3.83	2.0			1.00	231	216			12.54	1.6	1.10	GR47 GRF47	2P	3.8	19234	384	128	1.90	246	203	11.79	1.8	1.15	286	175	10.15	2.1	1.25	320	156	9.07	2.1	1.35	362	138	8.01	2.1	1.40	483	103	6.00	1.9	1.45	514	97	5.64	1.9	1.50	598	83	4.85	1.8	1.70	668	75	4.34	1.8	1.85	757	66	3.83	1.7	2.10	221	238	6.52	1.6	4.80	244	216	5.91	1.6	6.25	217	236	6.63	10	1.90	257	200	5.61	9.5	2.20	277	185	5.19	9.3	3.70	310	165	4.65	9.0	4.10	249	206	5.79	8.0	1.95	293	175	4.91	7.6	2.20	319	161	4.52	7.4	3.60	356	144	4.04	7.2	4.00	396	129	3.64	7.0	4.40	436	117	3.30	6.8	4.90	493	104	2.92	6.5	5.50	545	94	2.64	6.4	6.10	643	80	2.24	6.0	7.20	4.1	17380	347	128	2.10	4.6	15778	315	128	2.30	5.2	13974	279	128	2.60	5.7	12722	254	128	2.85	1.8	39294	790	128	0.95	2.0	35116	706	128	1.05	2.3	30689	617	128	1.20	2.7	26611	535	128	1.40	3.0	23825	479	128	1.55	3.2	22582	454	128	1.60	3.5	20194	406	128	1.80	4.1	17608	354	128	2.10	4.8	15071	303	128	2.45	2.8	22984	512	54	0.80	3.3	19572	436	59	0.95	3.8	16968	378	62	1.10	4.3	15173	338	64	1.20	4.7	13826	308	66	1.30	5.1	12569	280	67	1.45	4.5	14365	320	48	0.90	5.1	12614	281	60	1.05	5.8	11133	248	62	1.20	6.9	9427	210	65	1.40	7.8	8305	185	66	1.60	8.9	7227	161	67	1.80															
166	301	8.70	6.0	1.40			185	270	7.79	5.9	1.35	196		255	7.36	5.8	1.35	230	217	6.27	5.6	1.45	253	198	5.70	5.4	1.50	292	171	4.93	5.2	1.60	336	149	4.29	5.0	1.70	333	150	8.70	5.0	2.80	GR67 GRF67	2P	468	110	3.08			4.0	1.70	GRX77 GRXF77			4P	372					134					7.79			4.9			2.70	394	127	7.36	4.8	2.80	463	108	6.27	4.6	2.90	509	98	5.70	4.5	3.00	588	85	4.93	4.3	3.20	676	74	4.29	4.1	3.50	567	90	2.54	2.4	1.25	600	85	2.40	2.4	1.40	706	73	2.04	2.3	1.80	774	66	1.86	2.3	1.85	894	57	1.61	2.2	1.95	1029	50	1.40	2.1	2.00	706	73	2.04	0.6	0.90	750	68	1.92	0.7	1.00	873	59	1.65	0.9	1.15	973	53	1.48	1.0	1.25	1108	46	1.30	1.1	1.30	7.5kW							7.5kW							310	161	9.35	2.8	2.20	GR57 GRF57									2P	1.6			45780			914			128			0.80	GR177R107 GRF177R107	4P	364	137	7.97	2.7	2.40	385	130	7.53	2.7	2.50	452	110	6.41	2.6	2.90	498	100	5.82	2.5	3.00	574	87	5.05	2.4	3.30	661	76	4.39	2.3	3.50	297	168	4.85	1.8	0.85	332	150	4.34			2.0	0.90	376			133	3.83	2.0			1.00	231	216			12.54	1.6	1.10	GR47 GRF47	2P	3.8	19234	384	128	1.90	246	203	11.79	1.8	1.15	286	175	10.15	2.1	1.25	320	156	9.07	2.1	1.35	362	138	8.01	2.1	1.40	483	103	6.00	1.9	1.45	514	97	5.64	1.9	1.50	598	83	4.85	1.8	1.70	668	75	4.34	1.8	1.85	757	66	3.83	1.7	2.10	221	238	6.52	1.6	4.80	244	216	5.91	1.6	6.25	217	236	6.63	10	1.90	257	200	5.61	9.5	2.20	277	185	5.19	9.3	3.70	310	165	4.65	9.0	4.10	249	206	5.79	8.0	1.95	293	175	4.91	7.6	2.20	319	161	4.52	7.4	3.60	356	144	4.04	7.2	4.00	396	129	3.64	7.0	4.40	436	117	3.30	6.8	4.90	493	104	2.92	6.5	5.50	545	94	2.64	6.4	6.10	643	80	2.24	6.0	7.20	4.1	17380	347	128	2.10	4.6	15778	315	128	2.30	5.2	13974	279	128	2.60	5.7	12722	254	128	2.85	1.8	39294	790	128	0.95	2.0	35116	706	128	1.05	2.3	30689	617	128	1.20	2.7	26611	535	128	1.40	3.0	23825	479	128	1.55	3.2	22582	454	128	1.60	3.5	20194	406	128	1.80	4.1	17608	354	128	2.10	4.8	15071	303	128	2.45	2.8	22984	512	54	0.80	3.3	19572	436	59	0.95	3.8	16968	378	62	1.10	4.3	15173	338	64	1.20	4.7	13826	308	66	1.30	5.1	12569	280	67	1.45	4.5	14365	320	48	0.90	5.1	12614	281	60	1.05	5.8	11133	248	62	1.20	6.9	9427	210	65	1.40	7.8	8305	185	66	1.60	8.9	7227	161	67	1.80										
185	270	7.79	5.9	1.35			196	255	7.36	5.8	1.35	230		217	6.27	5.6	1.45	253	198	5.70	5.4	1.50	292	171	4.93	5.2	1.60	336	149	4.29	5.0	1.70	333	150	8.70	5.0	2.80	GR67 GRF67	2P	468	110	3.08			4.0	1.70	GRX77 GRXF77			4P	372					134					7.79					4.9			2.70			394	127	7.36	4.8	2.80	463	108	6.27	4.6	2.90	509	98	5.70	4.5	3.00	588	85	4.93	4.3	3.20	676	74	4.29	4.1	3.50	567	90	2.54	2.4	1.25	600	85	2.40	2.4	1.40	706	73	2.04	2.3	1.80	774	66	1.86	2.3	1.85	894	57	1.61	2.2	1.95	1029	50	1.40	2.1	2.00	706	73	2.04	0.6	0.90	750	68	1.92	0.7	1.00	873	59	1.65	0.9	1.15	973	53	1.48	1.0	1.25	1108	46	1.30	1.1	1.30	7.5kW							7.5kW							310	161	9.35	2.8	2.20	GR57 GRF57											2P			1.6			45780			914			128			0.80	GR177R107 GRF177R107	4P	364	137	7.97	2.7	2.40	385	130	7.53	2.7	2.50	452	110	6.41	2.6	2.90	498	100	5.82	2.5	3.00	574	87	5.05	2.4	3.30	661	76	4.39	2.3	3.50	297	168	4.85	1.8	0.85			332	150	4.34			2.0	0.90	376			133	3.83	2.0			1.00	231	216			12.54	1.6	1.10	GR47 GRF47	2P	3.8	19234	384	128	1.90	246	203	11.79	1.8	1.15	286	175	10.15	2.1	1.25	320	156	9.07	2.1	1.35	362	138	8.01	2.1	1.40	483	103	6.00	1.9	1.45	514	97	5.64	1.9	1.50	598	83	4.85	1.8	1.70	668	75	4.34	1.8	1.85	757	66	3.83	1.7	2.10	221	238	6.52	1.6	4.80	244	216	5.91	1.6	6.25	217	236	6.63	10	1.90	257	200	5.61	9.5	2.20	277	185	5.19	9.3	3.70	310	165	4.65	9.0	4.10	249	206	5.79	8.0	1.95	293	175	4.91	7.6	2.20	319	161	4.52	7.4	3.60	356	144	4.04	7.2	4.00	396	129	3.64	7.0	4.40	436	117	3.30	6.8	4.90	493	104	2.92	6.5	5.50	545	94	2.64	6.4	6.10	643	80	2.24	6.0	7.20	4.1	17380	347	128	2.10	4.6	15778	315	128	2.30	5.2	13974	279	128	2.60	5.7	12722	254	128	2.85	1.8	39294	790	128	0.95	2.0	35116	706	128	1.05	2.3	30689	617	128	1.20	2.7	26611	535	128	1.40	3.0	23825	479	128	1.55	3.2	22582	454	128	1.60	3.5	20194	406	128	1.80	4.1	17608	354	128	2.10	4.8	15071	303	128	2.45	2.8	22984	512	54	0.80	3.3	19572	436	59	0.95	3.8	16968	378	62	1.10	4.3	15173	338	64	1.20	4.7	13826	308	66	1.30	5.1	12569	280	67	1.45	4.5	14365	320	48	0.90	5.1	12614	281	60	1.05	5.8	11133	248	62	1.20	6.9	9427	210	65	1.40	7.8	8305	185	66	1.60	8.9	7227	161	67	1.80					
196	255	7.36	5.8	1.35			230	217	6.27	5.6	1.45	253		198	5.70	5.4	1.50	292	171	4.93	5.2	1.60	336	149	4.29	5.0	1.70	333	150	8.70	5.0	2.80	GR67 GRF67	2P	468	110	3.08			4.0	1.70	GRX77 GRXF77			4P	372					134					7.79					4.9					2.70			394			127	7.36	4.8	2.80	463	108	6.27	4.6	2.90	509	98	5.70	4.5	3.00	588	85	4.93	4.3	3.20	676	74	4.29	4.1	3.50	567	90	2.54	2.4	1.25	600	85	2.40	2.4	1.40	706	73	2.04	2.3	1.80	774	66	1.86	2.3	1.85	894	57	1.61	2.2	1.95	1029	50	1.40	2.1	2.00	706	73	2.04	0.6	0.90	750	68	1.92	0.7	1.00	873	59	1.65	0.9	1.15	973	53	1.48	1.0	1.25	1108	46	1.30	1.1	1.30	7.5kW							7.5kW							310	161	9.35	2.8	2.20	GR57 GRF57															2P			1.6			45780			914			128			0.80	GR177R107 GRF177R107	4P	364	137	7.97	2.7	2.40	385	130	7.53	2.7	2.50	452	110	6.41	2.6	2.90	498	100	5.82	2.5	3.00	574	87	5.05	2.4	3.30	661	76	4.39	2.3	3.50	297	168			4.85	1.8	0.85			332	150	4.34			2.0	0.90	376			133	3.83	2.0			1.00	231	216			12.54	1.6	1.10	GR47 GRF47	2P	3.8	19234	384	128	1.90	246	203	11.79	1.8	1.15	286	175	10.15	2.1	1.25	320	156	9.07	2.1	1.35	362	138	8.01	2.1	1.40	483	103	6.00	1.9	1.45	514	97	5.64	1.9	1.50	598	83	4.85	1.8	1.70	668	75	4.34	1.8	1.85	757	66	3.83	1.7	2.10	221	238	6.52	1.6	4.80	244	216	5.91	1.6	6.25	217	236	6.63	10	1.90	257	200	5.61	9.5	2.20	277	185	5.19	9.3	3.70	310	165	4.65	9.0	4.10	249	206	5.79	8.0	1.95	293	175	4.91	7.6	2.20	319	161	4.52	7.4	3.60	356	144	4.04	7.2	4.00	396	129	3.64	7.0	4.40	436	117	3.30	6.8	4.90	493	104	2.92	6.5	5.50	545	94	2.64	6.4	6.10	643	80	2.24	6.0	7.20	4.1	17380	347	128	2.10	4.6	15778	315	128	2.30	5.2	13974	279	128	2.60	5.7	12722	254	128	2.85	1.8	39294	790	128	0.95	2.0	35116	706	128	1.05	2.3	30689	617	128	1.20	2.7	26611	535	128	1.40	3.0	23825	479	128	1.55	3.2	22582	454	128	1.60	3.5	20194	406	128	1.80	4.1	17608	354	128	2.10	4.8	15071	303	128	2.45	2.8	22984	512	54	0.80	3.3	19572	436	59	0.95	3.8	16968	378	62	1.10	4.3	15173	338	64	1.20	4.7	13826	308	66	1.30	5.1	12569	280	67	1.45	4.5	14365	320	48	0.90	5.1	12614	281	60	1.05	5.8	11133	248	62	1.20	6.9	9427	210	65	1.40	7.8	8305	185	66	1.60	8.9	7227	161	67	1.80
230	217	6.27	5.6	1.45			253	198	5.70	5.4	1.50	292		171	4.93	5.2	1.60	336	149	4.29	5.0	1.70	333	150	8.70	5.0	2.80	GR67 GRF67	2P	468	110	3.08			4.0	1.70	GRX77 GRXF77			4P	372					134					7.79					4.9					2.70					394			127			7.36	4.8	2.80	463	108	6.27	4.6	2.90	509	98	5.70	4.5	3.00	588	85	4.93	4.3	3.20	676	74	4.29	4.1	3.50	567	90	2.54	2.4	1.25	600	85	2.40	2.4	1.40	706	73	2.04	2.3	1.80	774	66	1.86	2.3	1.85	894	57	1.61	2.2	1.95	1029	50	1.40	2.1	2.00	706	73	2.04	0.6	0.90	750	68	1.92	0.7	1.00	873	59	1.65	0.9	1.15	973	53	1.48	1.0	1.25	1108	46	1.30	1.1	1.30	7.5kW							7.5kW							310	161	9.35	2.8	2.20	GR57 GRF57																			2P			1.6			45780			914			128			0.80	GR177R107 GRF177R107	4P	364	137	7.97	2.7	2.40	385	130	7.53	2.7	2.50	452	110	6.41	2.6	2.90	498	100	5.82	2.5	3.00	574	87	5.05	2.4	3.30	661	76	4.39	2.3			3.50	297	168			4.85	1.8	0.85			332	150	4.34			2.0	0.90	376			133	3.83	2.0			1.00	231	216			12.54	1.6	1.10	GR47 GRF47	2P	3.8	19234	384	128	1.90	246	203	11.79	1.8	1.15	286	175	10.15	2.1	1.25	320	156	9.07	2.1	1.35	362	138	8.01	2.1	1.40	483	103	6.00	1.9	1.45	514	97	5.64	1.9	1.50	598	83	4.85	1.8	1.70	668	75	4.34	1.8	1.85	757	66	3.83	1.7	2.10	221	238	6.52	1.6	4.80	244	216	5.91	1.6	6.25	217	236	6.63	10	1.90	257	200	5.61	9.5	2.20	277	185	5.19	9.3	3.70	310	165	4.65	9.0	4.10	249	206	5.79	8.0	1.95	293	175	4.91	7.6	2.20	319	161	4.52	7.4	3.60	356	144	4.04	7.2	4.00	396	129	3.64	7.0	4.40	436	117	3.30	6.8	4.90	493	104	2.92	6.5	5.50	545	94	2.64	6.4	6.10	643	80	2.24	6.0	7.20	4.1	17380	347	128	2.10	4.6	15778	315	128	2.30	5.2	13974	279	128	2.60	5.7	12722	254	128	2.85	1.8	39294	790	128	0.95	2.0	35116	706	128	1.05	2.3	30689	617	128	1.20	2.7	26611	535	128	1.40	3.0	23825	479	128	1.55	3.2	22582	454	128	1.60	3.5	20194	406	128	1.80	4.1	17608	354	128	2.10	4.8	15071	303	128	2.45	2.8	22984	512	54	0.80	3.3	19572	436	59	0.95	3.8	16968	378	62	1.10	4.3	15173	338	64	1.20	4.7	13826	308	66	1.30	5.1	12569	280	67	1.45	4.5	14365	320	48	0.90	5.1	12614	281	60	1.05	5.8	11133	248	62	1.20	6.9	9427	210	65	1.40	7.8	8305	185	66	1.60
253	198	5.70	5.4	1.50			292	171	4.93	5.2	1.60	336		149	4.29	5.0	1.70	333	150	8.70	5.0	2.80	GR67 GRF67	2P	468	110	3.08			4.0	1.70	GRX77 GRXF77			4P	372					134					7.79					4.9					2.70					394		127	7.36		4.8			2.80			463	108	6.27	4.6	2.90	509	98	5.70	4.5	3.00	588	85	4.93	4.3	3.20	676	74	4.29	4.1	3.50	567	90	2.54	2.4	1.25	600	85	2.40	2.4	1.40	706	73	2.04	2.3	1.80	774	66	1.86	2.3	1.85	894	57	1.61	2.2	1.95	1029	50	1.40	2.1	2.00	706	73	2.04	0.6	0.90	750	68	1.92	0.7	1.00	873	59	1.65	0.9	1.15	973	53	1.48	1.0	1.25	1108	46	1.30	1.1	1.30	7.5kW							7.5kW							310	161	9.35	2.8	2.20	GR57 GRF57	2P	1.6								45780	914														128			0.80			GR177R107 GRF177R107			4P			364			137	7.97	2.7	2.40	385	130	7.53	2.7	2.50	452	110	6.41	2.6	2.90	498	100	5.82	2.5	3.00	574	87	5.05	2.4	3.30	661	76	4.39	2.3	3.50	297	168	4.85	1.8	0.85			332	150	4.34			2.0	0.90	376			133	3.83	2.0			1.00	231	216			12.54	1.6	1.10			GR47 GRF47	2P	3.8			19234	384	128	1.90	246	203	11.79	1.8	1.15	286	175	10.15	2.1	1.25	320	156	9.07	2.1	1.35	362	138	8.01	2.1	1.40	483	103	6.00	1.9	1.45	514	97	5.64	1.9	1.50	598	83	4.85	1.8	1.70	668	75	4.34	1.8	1.85	757	66	3.83	1.7	2.10	221	238	6.52	1.6	4.80	244	216	5.91	1.6	6.25	217	236	6.63	10	1.90	257	200	5.61	9.5	2.20	277	185	5.19	9.3	3.70	310	165	4.65	9.0	4.10	249	206	5.79	8.0	1.95	293	175	4.91	7.6	2.20	319	161	4.52	7.4	3.60	356	144	4.04	7.2	4.00	396	129	3.64	7.0	4.40	436	117	3.30	6.8	4.90	493	104	2.92	6.5	5.50	545	94	2.64	6.4	6.10	643	80	2.24	6.0	7.20	4.1	17380	347	128	2.10	4.6	15778	315	128	2.30	5.2	13974	279	128	2.60	5.7	12722	254	128	2.85	1.8	39294	790	128	0.95	2.0	35116	706	128	1.05	2.3	30689	617	128	1.20	2.7	26611	535	128	1.40	3.0	23825	479	128	1.55	3.2	22582	454	128	1.60	3.5	20194	406	128	1.80	4.1	17608	354	128	2.10	4.8	15071	303	128	2.45	2.8	22984	512	54	0.80	3.3	19572	436	59	0.95	3.8	16968	378	62	1.10	4.3	15173	338	64	1.20	4.7	13826	308	66	1.30	5.1	12569	280	67	1.45	4.5	14365	320	48	0.90	5.1	12614	281	60	1.05	5.8	11133	248	62	1.20	6.9	9427	210	65	1.40	7.8	8305	185	66	1.60	8.9
292	171	4.93	5.2	1.60	336	149	4.29	5.0	1.70	333	150	8.70	5.0	2.80	GR67 GRF67	2P	468	110	3.08	4.0	1.70	GRX77 GRXF77			4P	372	134			7.79	4.9					2.70					394					127					7.36					4.8		2.80	463		108		6.27	4.6		2.90			509			98	5.70	4.5	3.00	588	85	4.93	4.3	3.20	676	74	4.29	4.1	3.50	567	90	2.54	2.4	1.25	600	85	2.40	2.4	1.40	706	73	2.04	2.3	1.80	774	66	1.86	2.3	1.85	894	57	1.61	2.2	1.95	1029	50	1.40	2.1	2.00	706	73	2.04	0.6	0.90	750	68	1.92	0.7	1.00	873	59	1.65	0.9	1.15	973	53	1.48	1.0	1.25	1108	46	1.30	1.1	1.30	7.5kW							7.5kW							310	161	9.35	2.8	2.20	GR57 GRF57	2P	1.6	45780	914	128			0.80							GR177R107 GRF177R107	4P	364	137													7.97			2.7									2.40			385	130	7.53	2.7	2.50	452	110	6.41	2.6	2.90	498	100	5.82	2.5	3.00	574	87	5.05	2.4	3.30	661	76	4.39	2.3	3.50	297	168	4.85	1.8	0.85	332	150	4.34	2.0	0.90	376	133	3.83	2.0			1.00	231	216			12.54	1.6	1.10			GR47 GRF47	2P	3.8			19234	384	128					1.90			246	203	11.79	1.8	1.15	286	175	10.15	2.1	1.25	320	156	9.07	2.1	1.35	362	138	8.01	2.1	1.40	483	103	6.00	1.9	1.45	514	97	5.64	1.9	1.50	598	83	4.85	1.8	1.70	668	75	4.34	1.8	1.85	757	66	3.83	1.7	2.10	221	238	6.52	1.6	4.80	244	216	5.91	1.6	6.25	217	236	6.63	10	1.90	257	200	5.61	9.5	2.20	277	185	5.19	9.3	3.70	310	165	4.65	9.0	4.10	249	206	5.79	8.0	1.95	293	175	4.91	7.6	2.20	319	161	4.52	7.4	3.60	356	144	4.04	7.2	4.00	396	129	3.64	7.0	4.40	436	117	3.30	6.8	4.90	493	104	2.92	6.5	5.50	545	94	2.64	6.4	6.10	643	80	2.24	6.0	7.20	4.1	17380	347	128	2.10	4.6	15778	315	128	2.30	5.2	13974	279	128	2.60	5.7	12722	254	128	2.85	1.8	39294	790	128	0.95	2.0	35116	706	128	1.05	2.3	30689	617	128	1.20	2.7	26611	535	128	1.40	3.0	23825	479	128	1.55	3.2	22582	454	128	1.60	3.5	20194	406	128	1.80	4.1	17608	354	128	2.10	4.8	15071	303	128	2.45	2.8	22984	512	54	0.80	3.3	19572	436	59	0.95	3.8	16968	378	62	1.10	4.3	15173	338	64	1.20	4.7	13826	308	66	1.30	5.1	12569	280	67	1.45	4.5	14365	320	48	0.90	5.1	12614	281	60	1.05	5.8	11133	248	62	1.20	6.9	9427	210	65	1.40	7.8	8305	185	66	1.60	8.9	7227	161	67	1.80
336	149	4.29	5.0	1.70	333	150	8.70	5.0	2.80	GR67 GRF67	2P	468	110	3.08			4.0	1.70	GRX77 GRXF77	4P	372					134	7.79			4.9	2.70					394					127					7.36					4.8		2.80	463		108		6.27	4.6		2.90		509	98		5.70			4.5	3.00	588	85	4.93	4.3	3.20	676	74	4.29	4.1	3.50	567	90	2.54	2.4	1.25	600	85	2.40	2.4	1.40	706	73	2.04	2.3	1.80	774	66	1.86	2.3	1.85	894	57	1.61	2.2	1.95	1029	50	1.40	2.1	2.00	706	73	2.04	0.6	0.90	750	68	1.92	0.7	1.00	873	59	1.65	0.9	1.15	973	53	1.48	1.0	1.25	1108	46	1.30	1.1	1.30	7.5kW							7.5kW							310	161	9.35	2.8	2.20	GR57 GRF57	2P	1.6	45780	914			128	0.80	GR177R107 GRF177R107	4P			364						137			7.97	2.7	2.40				385	130							7.53			2.7									2.50			452	110	6.41	2.6	2.90	498	100	5.82	2.5	3.00	574	87	5.05	2.4	3.30	661	76	4.39	2.3	3.50	297	168	4.85	1.8	0.85	332	150	4.34	2.0	0.90	376	133	3.83	2.0	1.00	231	216	12.54	1.6	1.10	GR47 GRF47	2P	3.8	19234			384	128	1.90					246			203	11.79	1.8					1.15			286	175	10.15	2.1	1.25	320	156	9.07	2.1	1.35	362	138	8.01	2.1	1.40	483	103	6.00	1.9	1.45	514	97	5.64	1.9	1.50	598	83	4.85	1.8	1.70	668	75	4.34	1.8	1.85	757	66	3.83	1.7	2.10	221	238	6.52	1.6	4.80	244	216	5.91	1.6	6.25	217	236	6.63	10	1.90	257	200	5.61	9.5	2.20	277	185	5.19	9.3	3.70	310	165	4.65	9.0	4.10	249	206	5.79	8.0	1.95	293	175	4.91	7.6	2.20	319	161	4.52	7.4	3.60	356	144	4.04	7.2	4.00	396	129	3.64	7.0	4.40	436	117	3.30	6.8	4.90	493	104	2.92	6.5	5.50	545	94	2.64	6.4	6.10	643	80	2.24	6.0	7.20	4.1	17380	347	128	2.10	4.6	15778	315	128	2.30	5.2	13974	279	128	2.60	5.7	12722	254	128	2.85	1.8	39294	790	128	0.95	2.0	35116	706	128	1.05	2.3	30689	617	128	1.20	2.7	26611	535	128	1.40	3.0	23825	479	128	1.55	3.2	22582	454	128	1.60	3.5	20194	406	128	1.80	4.1	17608	354	128	2.10	4.8	15071	303	128	2.45	2.8	22984	512	54	0.80	3.3	19572	436	59	0.95	3.8	16968	378	62	1.10	4.3	15173	338	64	1.20	4.7	13826	308	66	1.30	5.1	12569	280	67	1.45	4.5	14365	320	48	0.90	5.1	12614	281	60	1.05	5.8	11133	248	62	1.20	6.9	9427	210	65	1.40	7.8	8305	185	66	1.60	8.9	7227	161	67	1.80					
333	150	8.70	5.0	2.80	GR67 GRF67	2P	468	110	3.08			4.0	1.70	GRX77 GRXF77			4P																																																																																																																																																																																																																																																																																																																																																																																																																																																																																																																			
372	134	7.79	4.9	2.70			394	127	7.36			4.8	2.80					463			108					6.27	4.6			2.90	509					98					5.70		4.5	3.00		588		85	4.93		4.3		3.20	676		74		4.29	4.1		3.50	567	90	2.54	2.4	1.25	600	85	2.40	2.4	1.40	706	73	2.04	2.3	1.80	774	66	1.86	2.3	1.85	894	57	1.61	2.2	1.95	1029	50	1.40	2.1	2.00	706	73	2.04	0.6	0.90	750	68	1.92	0.7	1.00	873	59	1.65	0.9	1.15	973	53	1.48	1.0	1.25	1108	46	1.30	1.1	1.30	7.5kW							7.5kW							310	161	9.35	2.8	2.20	GR57 GRF57	2P	1.6	45780	914	128	0.80	GR177R107 GRF177R107	4P	364	137	7.97	2.7	2.40	385	130	7.53	2.7	2.50			452	110	6.41			2.6	2.90					498				100	5.82	2.5			3.00	574	87	5.05	2.4		3.30	661		76	4.39		2.3	3.50	297			168									4.85			1.8	0.85	332	150	4.34	2.0	0.90	376	133	3.83	2.0	1.00	231	216	12.54	1.6	1.10	GR47 GRF47	2P	3.8	19234	384	128	1.90	246	203	11.79	1.8	1.15	286	175	10.15	2.1	1.25	320	156	9.07	2.1	1.35	362			138	8.01	2.1	1.40	483	103	6.00	1.9	1.45			514			97	5.64	1.9					1.50			598	83	4.85	1.8	1.70	668	75	4.34	1.8	1.85	757	66	3.83	1.7	2.10	221	238	6.52	1.6	4.80	244	216	5.91	1.6	6.25	217	236	6.63	10	1.90	257	200	5.61	9.5	2.20	277	185	5.19	9.3	3.70	310	165	4.65	9.0	4.10	249	206	5.79	8.0	1.95	293	175	4.91	7.6	2.20	319	161	4.52	7.4	3.60	356	144	4.04	7.2	4.00	396	129	3.64	7.0	4.40	436	117	3.30	6.8	4.90	493	104	2.92	6.5	5.50	545	94	2.64	6.4	6.10	643	80	2.24	6.0	7.20	4.1	17380	347	128	2.10	4.6	15778	315	128	2.30	5.2	13974	279	128	2.60	5.7	12722	254	128	2.85	1.8	39294	790	128	0.95	2.0	35116	706	128	1.05	2.3	30689	617	128	1.20	2.7	26611	535	128	1.40	3.0	23825	479	128	1.55	3.2	22582	454	128	1.60	3.5	20194	406	128	1.80	4.1	17608	354	128	2.10	4.8	15071	303	128	2.45	2.8	22984	512	54	0.80	3.3	19572	436	59	0.95	3.8	16968	378	62	1.10	4.3	15173	338	64	1.20	4.7	13826	308	66	1.30	5.1	12569	280	67	1.45	4.5	14365	320	48	0.90	5.1	12614	281	60	1.05	5.8	11133	248	62	1.20	6.9	9427	210	65	1.40	7.8	8305	185	66	1.60	8.9	7227	161	67	1.80																														
394	127	7.36	4.8	2.80			463	108	6.27			4.6	2.90					509			98					5.70	4.5			3.00	588					85		4.93	4.3		3.20		676	74		4.29		4.1	3.50		567		90	2.54		2.4	1.25	600	85	2.40	2.4	1.40	706	73	2.04	2.3	1.80	774	66	1.86	2.3	1.85	894	57	1.61	2.2	1.95	1029	50	1.40	2.1	2.00	706	73	2.04	0.6	0.90	750	68	1.92	0.7	1.00	873	59	1.65	0.9	1.15	973	53	1.48	1.0	1.25	1108	46	1.30	1.1	1.30	7.5kW							7.5kW							310	161	9.35	2.8	2.20	GR57 GRF57	2P	1.6	45780	914	128	0.80	GR177R107 GRF177R107	4P			364	137	7.97	2.7	2.40			385	130	7.53	2.7	2.50	452	110	6.41	2.6	2.90			498	100	5.82			2.5	3.00					574			87	5.05	2.4	3.30			661	76	4.39	2.3	3.50	297	168	4.85		1.8	0.85		332	150	4.34	2.0	0.90	376									133			3.83	2.0	1.00	231	216	12.54	1.6	1.10	GR47 GRF47	2P	3.8	19234	384	128	1.90	246	203			11.79	1.8	1.15	286	175	10.15	2.1	1.25	320	156	9.07	2.1	1.35	362	138	8.01	2.1	1.40	483	103	6.00			1.9	1.45	514	97	5.64	1.9	1.50	598	83			4.85	1.8	1.70	668	75	4.34					1.8			1.85	757	66	3.83	1.7	2.10	221	238	6.52	1.6	4.80	244	216	5.91	1.6	6.25	217	236	6.63	10	1.90	257	200	5.61	9.5	2.20	277	185	5.19	9.3	3.70	310	165	4.65	9.0	4.10	249	206	5.79	8.0	1.95	293	175	4.91	7.6	2.20	319	161	4.52	7.4	3.60	356	144	4.04	7.2	4.00	396	129	3.64	7.0	4.40	436	117	3.30	6.8	4.90	493	104	2.92	6.5	5.50	545	94	2.64	6.4	6.10	643	80	2.24	6.0	7.20	4.1	17380	347	128	2.10	4.6	15778	315	128	2.30	5.2	13974	279	128	2.60	5.7	12722	254	128	2.85	1.8	39294	790	128	0.95	2.0	35116	706	128	1.05	2.3	30689	617	128	1.20	2.7	26611	535	128	1.40	3.0	23825	479	128	1.55	3.2	22582	454	128	1.60	3.5	20194	406	128	1.80	4.1	17608	354	128	2.10	4.8	15071	303	128	2.45	2.8	22984	512	54	0.80	3.3	19572	436	59	0.95	3.8	16968	378	62	1.10	4.3	15173	338	64	1.20	4.7	13826	308	66	1.30	5.1	12569	280	67	1.45	4.5	14365	320	48	0.90	5.1	12614	281	60	1.05	5.8	11133	248	62	1.20	6.9	9427	210	65	1.40	7.8	8305	185	66	1.60	8.9	7227	161	67	1.80																																							
463	108	6.27	4.6	2.90			509	98	5.70			4.5	3.00					588			85					4.93	4.3			3.20	676		74	4.29		4.1		3.50	567		90		2.54	2.4		1.25		600	85		2.40	2.4	1.40	706	73	2.04	2.3	1.80	774	66	1.86	2.3	1.85	894	57	1.61	2.2	1.95	1029	50	1.40	2.1	2.00	706	73	2.04	0.6	0.90	750	68	1.92	0.7	1.00	873	59	1.65	0.9	1.15	973	53	1.48	1.0	1.25	1108	46	1.30	1.1	1.30	7.5kW							7.5kW							310	161	9.35	2.8	2.20	GR57 GRF57	2P	1.6	45780	914	128	0.80	GR177R107 GRF177R107	4P			364	137	7.97	2.7	2.40					385	130	7.53	2.7	2.50			452	110	6.41	2.6	2.90	498	100	5.82	2.5	3.00			574	87	5.05			2.4	3.30					661		76	4.39	2.3	3.50	297			168	4.85	1.8	0.85	332	150	4.34	2.0	0.90	376	133		3.83	2.0	1.00	231	216	12.54	1.6	1.10							GR47 GRF47			2P	3.8	19234	384	128	1.90	246	203			11.79	1.8	1.15	286	175	10.15	2.1			1.25	320	156	9.07	2.1	1.35	362	138	8.01	2.1	1.40	483	103	6.00	1.9	1.45	514	97	5.64	1.9	1.50			598	83	4.85	1.8	1.70	668	75	4.34	1.8			1.85	757	66	3.83	1.7	2.10	221	238			6.52			1.6	4.80	244	216	5.91	1.6	6.25	217	236	6.63	10	1.90	257	200	5.61	9.5	2.20	277	185	5.19	9.3	3.70	310	165	4.65	9.0	4.10	249	206	5.79	8.0	1.95	293	175	4.91	7.6	2.20	319	161	4.52	7.4	3.60	356	144	4.04	7.2	4.00	396	129	3.64	7.0	4.40	436	117	3.30	6.8	4.90	493	104	2.92	6.5	5.50	545	94	2.64	6.4	6.10	643	80	2.24	6.0	7.20	4.1	17380	347	128	2.10	4.6	15778	315	128	2.30	5.2	13974	279	128	2.60	5.7	12722	254	128	2.85	1.8	39294	790	128	0.95	2.0	35116	706	128	1.05	2.3	30689	617	128	1.20	2.7	26611	535	128	1.40	3.0	23825	479	128	1.55	3.2	22582	454	128	1.60	3.5	20194	406	128	1.80	4.1	17608	354	128	2.10	4.8	15071	303	128	2.45	2.8	22984	512	54	0.80	3.3	19572	436	59	0.95	3.8	16968	378	62	1.10	4.3	15173	338	64	1.20	4.7	13826	308	66	1.30	5.1	12569	280	67	1.45	4.5	14365	320	48	0.90	5.1	12614	281	60	1.05	5.8	11133	248	62	1.20	6.9	9427	210	65	1.40	7.8	8305	185	66	1.60	8.9	7227	161	67	1.80																																																
509	98	5.70	4.5	3.00			588	85	4.93			4.3	3.20					676			74					4.29	4.1	3.50	567	90	2.54		2.4	1.25		600		85	2.40		2.4		1.40	706		73	2.04	2.3	1.80	774	66	1.86	2.3	1.85	894	57	1.61	2.2	1.95	1029	50	1.40	2.1	2.00	706	73	2.04	0.6	0.90	750	68	1.92	0.7	1.00	873	59	1.65	0.9	1.15	973	53	1.48	1.0	1.25	1108	46	1.30	1.1	1.30	7.5kW							7.5kW							310	161	9.35	2.8	2.20	GR57 GRF57	2P	1.6	45780	914	128	0.80	GR177R107 GRF177R107	4P			364	137	7.97	2.7	2.40					385	130	7.53	2.7	2.50					452	110	6.41	2.6	2.90			498	100	5.82	2.5	3.00	574	87	5.05	2.4	3.30			661	76	4.39			2.3	3.50					297	168	4.85	1.8	0.85	332	150			4.34	2.0	0.90	376	133	3.83	2.0	1.00	231	216	12.54	1.6	1.10	GR47 GRF47	2P	3.8	19234	384	128	1.90		246	203								11.79	1.8	1.15	286	175	10.15	2.1			1.25	320	156	9.07	2.1	1.35	362			138	8.01	2.1	1.40	483	103	6.00	1.9	1.45	514	97	5.64	1.9	1.50	598	83	4.85	1.8	1.70	668	75			4.34	1.8	1.85	757	66	3.83	1.7	2.10	221			238	6.52	1.6	4.80	244	216	5.91	1.6			6.25	217	236	6.63	10	1.90	257	200	5.61	9.5	2.20	277	185	5.19	9.3	3.70	310	165	4.65	9.0	4.10	249	206	5.79	8.0	1.95	293	175	4.91	7.6	2.20	319	161	4.52	7.4	3.60	356	144	4.04	7.2	4.00	396	129	3.64	7.0	4.40	436	117	3.30	6.8	4.90	493	104	2.92	6.5	5.50	545	94	2.64	6.4	6.10	643	80	2.24	6.0	7.20	4.1	17380	347	128	2.10	4.6	15778	315	128	2.30	5.2	13974	279	128	2.60	5.7	12722	254	128	2.85	1.8	39294	790	128	0.95	2.0	35116	706	128	1.05	2.3	30689	617	128	1.20	2.7	26611	535	128	1.40	3.0	23825	479	128	1.55	3.2	22582	454	128	1.60	3.5	20194	406	128	1.80	4.1	17608	354	128	2.10	4.8	15071	303	128	2.45	2.8	22984	512	54	0.80	3.3	19572	436	59	0.95	3.8	16968	378	62	1.10	4.3	15173	338	64	1.20	4.7	13826	308	66	1.30	5.1	12569	280	67	1.45	4.5	14365	320	48	0.90	5.1	12614	281	60	1.05	5.8	11133	248	62	1.20	6.9	9427	210	65	1.40	7.8	8305	185	66	1.60	8.9	7227	161	67	1.80																																																									
588	85	4.93	4.3	3.20			676	74	4.29			4.1	3.50					567			90		2.54	2.4		1.25	600	85	2.40	2.4	1.40		706	73		2.04		2.3	1.80		774	66	1.86	2.3	1.85	894	57	1.61	2.2	1.95	1029	50	1.40	2.1	2.00	706	73	2.04	0.6	0.90	750	68	1.92	0.7	1.00	873	59	1.65	0.9	1.15	973	53	1.48	1.0	1.25	1108	46	1.30	1.1	1.30	7.5kW							7.5kW							310	161	9.35	2.8	2.20	GR57 GRF57	2P	1.6	45780	914	128	0.80	GR177R107 GRF177R107	4P			364	137	7.97	2.7	2.40					385	130	7.53	2.7	2.50					452	110	6.41	2.6	2.90					498	100	5.82	2.5	3.00			574	87	5.05	2.4	3.30	661	76	4.39	2.3	3.50			297	168	4.85			1.8	0.85			332	150	4.34	2.0	0.90	376	133	3.83	2.0			1.00	231	216	12.54	1.6	1.10	GR47 GRF47	2P	3.8	19234	384	128	1.90			246	203	11.79	1.8	1.15		286	175		10.15	2.1					1.25	320	156	9.07	2.1	1.35	362			138	8.01	2.1	1.40	483	103	6.00			1.9	1.45	514	97	5.64	1.9	1.50	598	83	4.85	1.8	1.70	668	75	4.34	1.8	1.85	757	66	3.83	1.7			2.10	221	238	6.52	1.6	4.80	244	216	5.91			1.6	6.25	217	236	6.63	10	1.90	257	200	5.61	9.5	2.20	277	185	5.19	9.3	3.70	310	165	4.65	9.0	4.10	249	206	5.79	8.0	1.95	293	175	4.91	7.6	2.20	319	161	4.52	7.4	3.60	356	144	4.04	7.2	4.00	396	129	3.64	7.0	4.40	436	117	3.30	6.8	4.90	493	104	2.92	6.5	5.50	545	94	2.64	6.4	6.10	643	80	2.24	6.0	7.20	4.1	17380	347	128	2.10	4.6	15778	315	128	2.30	5.2	13974	279	128	2.60	5.7	12722	254	128	2.85	1.8	39294	790	128	0.95	2.0	35116	706	128	1.05	2.3	30689	617	128	1.20	2.7	26611	535	128	1.40	3.0	23825	479	128	1.55	3.2	22582	454	128	1.60	3.5	20194	406	128	1.80	4.1	17608	354	128	2.10	4.8	15071	303	128	2.45	2.8	22984	512	54	0.80	3.3	19572	436	59	0.95	3.8	16968	378	62	1.10	4.3	15173	338	64	1.20	4.7	13826	308	66	1.30	5.1	12569	280	67	1.45	4.5	14365	320	48	0.90	5.1	12614	281	60	1.05	5.8	11133	248	62	1.20	6.9	9427	210	65	1.40	7.8	8305	185	66	1.60	8.9	7227	161	67	1.80																																																																		
676	74	4.29	4.1	3.50			567	90	2.54			2.4	1.25		600	85		2.40			2.4		1.40	706		73	2.04	2.3	1.80	774	66		1.86	2.3		1.85	894	57	1.61	2.2	1.95	1029	50	1.40	2.1	2.00	706	73	2.04	0.6	0.90	750	68	1.92	0.7	1.00	873	59	1.65	0.9	1.15	973	53	1.48	1.0	1.25	1108	46	1.30	1.1	1.30	7.5kW							7.5kW							310	161	9.35	2.8	2.20	GR57 GRF57	2P	1.6	45780	914	128	0.80	GR177R107 GRF177R107	4P			364	137	7.97	2.7	2.40					385	130	7.53	2.7	2.50					452	110	6.41	2.6	2.90					498	100	5.82	2.5	3.00					574	87	5.05	2.4	3.30			661	76	4.39	2.3	3.50	297	168	4.85	1.8	0.85			332	150	4.34	2.0	0.90	376	133			3.83	2.0	1.00	231	216	12.54	1.6	1.10	GR47 GRF47			2P	3.8	19234	384	128	1.90			246	203	11.79	1.8	1.15			286	175	10.15	2.1	1.25		320	156		9.07	2.1		1.35	362		138	8.01	2.1	1.40	483	103	6.00			1.9	1.45	514	97	5.64	1.9	1.50			598	83	4.85	1.8	1.70	668	75	4.34	1.8	1.85	757	66	3.83	1.7	2.10	221	238	6.52	1.6	4.80	244			216	5.91	1.6	6.25	217	236	6.63	10	1.90	257	200	5.61	9.5	2.20	277	185	5.19	9.3	3.70	310	165	4.65	9.0	4.10	249	206	5.79	8.0	1.95	293	175	4.91	7.6	2.20	319	161	4.52	7.4	3.60	356	144	4.04	7.2	4.00	396	129	3.64	7.0	4.40	436	117	3.30	6.8	4.90	493	104	2.92	6.5	5.50	545	94	2.64	6.4	6.10	643	80	2.24	6.0	7.20	4.1	17380	347	128	2.10	4.6	15778	315	128	2.30	5.2	13974	279	128	2.60	5.7	12722	254	128	2.85	1.8	39294	790	128	0.95	2.0	35116	706	128	1.05	2.3	30689	617	128	1.20	2.7	26611	535	128	1.40	3.0	23825	479	128	1.55	3.2	22582	454	128	1.60	3.5	20194	406	128	1.80	4.1	17608	354	128	2.10	4.8	15071	303	128	2.45	2.8	22984	512	54	0.80	3.3	19572	436	59	0.95	3.8	16968	378	62	1.10	4.3	15173	338	64	1.20	4.7	13826	308	66	1.30	5.1	12569	280	67	1.45	4.5	14365	320	48	0.90	5.1	12614	281	60	1.05	5.8	11133	248	62	1.20	6.9	9427	210	65	1.40	7.8	8305	185	66	1.60	8.9	7227	161	67	1.80																																																																											
567	90	2.54	2.4	1.25			600	85	2.40	2.4	1.40	706	73		2.04	2.3		1.80			774		66	1.86		2.3	1.85	894	57	1.61	2.2	1.95	1029	50	1.40	2.1	2.00	706	73	2.04	0.6	0.90	750	68	1.92	0.7	1.00	873	59	1.65	0.9	1.15	973	53	1.48	1.0	1.25	1108	46	1.30	1.1	1.30	7.5kW							7.5kW							310	161	9.35	2.8	2.20	GR57 GRF57	2P	1.6	45780	914	128	0.80	GR177R107 GRF177R107	4P			364	137	7.97	2.7	2.40					385	130	7.53	2.7	2.50					452	110	6.41	2.6	2.90					498	100	5.82	2.5	3.00					574	87	5.05	2.4	3.30					661	76	4.39	2.3	3.50			297	168	4.85	1.8	0.85	332	150	4.34	2.0	0.90	376	133	3.83	2.0	1.00	231	216	12.54	1.6			1.10	GR47 GRF47	2P	3.8	19234	384	128	1.90					246	203	11.79	1.8	1.15			286	175	10.15	2.1	1.25			320	156	9.07	2.1	1.35	362	138	8.01	2.1	1.40	483		103	6.00		1.9	1.45	514	97	5.64	1.9	1.50			598	83	4.85	1.8	1.70	668	75			4.34	1.8	1.85	757	66	3.83	1.7	2.10	221	238	6.52	1.6	4.80	244	216	5.91	1.6	6.25	217	236	6.63	10	1.90	257	200	5.61	9.5	2.20	277	185	5.19	9.3	3.70	310	165	4.65	9.0	4.10	249	206	5.79	8.0	1.95	293	175	4.91	7.6	2.20	319	161	4.52	7.4	3.60	356	144	4.04	7.2	4.00	396	129	3.64	7.0	4.40	436	117	3.30	6.8	4.90	493	104	2.92	6.5	5.50	545	94	2.64	6.4	6.10	643	80	2.24	6.0	7.20	4.1	17380	347	128	2.10	4.6	15778	315	128	2.30	5.2	13974	279	128	2.60	5.7	12722	254	128	2.85	1.8	39294	790	128	0.95	2.0	35116	706	128	1.05	2.3	30689	617	128	1.20	2.7	26611	535	128	1.40	3.0	23825	479	128	1.55	3.2	22582	454	128	1.60	3.5	20194	406	128	1.80	4.1	17608	354	128	2.10	4.8	15071	303	128	2.45	2.8	22984	512	54	0.80	3.3	19572	436	59	0.95	3.8	16968	378	62	1.10	4.3	15173	338	64	1.20	4.7	13826	308	66	1.30	5.1	12569	280	67	1.45	4.5	14365	320	48	0.90	5.1	12614	281	60	1.05	5.8	11133	248	62	1.20	6.9	9427	210	65	1.40	7.8	8305	185	66	1.60	8.9	7227	161	67	1.80																																																																																				
600	85	2.40	2.4	1.40	706	73	2.04	2.3	1.80	774	66	1.86	2.3		1.85	894		57			1.61	2.2	1.95	1029	50	1.40	2.1	2.00	706	73	2.04	0.6	0.90	750	68	1.92	0.7	1.00	873	59	1.65	0.9	1.15	973	53	1.48	1.0	1.25	1108	46	1.30	1.1	1.30	7.5kW							7.5kW							310	161	9.35	2.8	2.20	GR57 GRF57	2P	1.6	45780	914	128	0.80	GR177R107 GRF177R107	4P			364	137	7.97	2.7	2.40					385	130	7.53	2.7	2.50					452	110	6.41	2.6	2.90					498	100	5.82	2.5	3.00					574	87	5.05	2.4	3.30					661	76	4.39	2.3	3.50					297	168	4.85	1.8	0.85			332	150	4.34	2.0	0.90	376	133	3.83	2.0	1.00	231	216	12.54	1.6	1.10	GR47 GRF47	2P	3.8	19234			384			128	1.90	246	203	11.79		1.8	1.15		286	175	10.15	2.1	1.25			320	156	9.07	2.1	1.35			362	138	8.01	2.1	1.40	483	103	6.00	1.9	1.45	514		97	5.64		1.9	1.50	598	83	4.85	1.8	1.70			668	75	4.34	1.8	1.85	757	66			3.83	1.7	2.10	221	238	6.52	1.6	4.80	244	216	5.91	1.6	6.25	217	236	6.63	10	1.90	257	200	5.61	9.5	2.20	277	185	5.19	9.3	3.70	310	165	4.65	9.0	4.10	249	206	5.79	8.0	1.95	293	175	4.91	7.6	2.20	319	161	4.52	7.4	3.60	356	144	4.04	7.2	4.00	396	129	3.64	7.0	4.40	436	117	3.30	6.8	4.90	493	104	2.92	6.5	5.50	545	94	2.64	6.4	6.10	643	80	2.24	6.0	7.20	4.1	17380	347	128	2.10	4.6	15778	315	128	2.30	5.2	13974	279	128	2.60	5.7	12722	254	128	2.85	1.8	39294	790	128	0.95	2.0	35116	706	128	1.05	2.3	30689	617	128	1.20	2.7	26611	535	128	1.40	3.0	23825	479	128	1.55	3.2	22582	454	128	1.60	3.5	20194	406	128	1.80	4.1	17608	354	128	2.10	4.8	15071	303	128	2.45	2.8	22984	512	54	0.80	3.3	19572	436	59	0.95	3.8	16968	378	62	1.10	4.3	15173	338	64	1.20	4.7	13826	308	66	1.30	5.1	12569	280	67	1.45	4.5	14365	320	48	0.90	5.1	12614	281	60	1.05	5.8	11133	248	62	1.20	6.9	9427	210	65	1.40	7.8	8305	185	66	1.60	8.9	7227	161	67	1.80																																																																																									
706	73	2.04	2.3	1.80	774	66	1.86	2.3	1.85	894	57	1.61	2.2		1.95	1029		50	1.40	2.1	2.00	706	73	2.04	0.6	0.90	750	68	1.92	0.7	1.00	873	59	1.65	0.9	1.15	973	53	1.48	1.0	1.25	1108	46	1.30	1.1	1.30	7.5kW							7.5kW							310	161	9.35	2.8	2.20	GR57 GRF57	2P	1.6	45780	914	128	0.80			GR177R107 GRF177R107	4P	364	137	7.97					2.7	2.40	385	130	7.53					2.7	2.50	452	110	6.41					2.6	2.90	498	100	5.82					2.5	3.00	574	87	5.05					2.4	3.30	661	76	4.39					2.3	3.50	297	168	4.85			1.8	0.85	332	150	4.34	2.0	0.90			376	133	3.83	2.0	1.00	231	216	12.54	1.6	1.10	GR47 GRF47	2P	3.8	19234	384			128	1.90	246	203	11.79			1.8	1.15	286	175	10.15		2.1	1.25		320	156	9.07	2.1	1.35			362	138	8.01	2.1	1.40			483	103	6.00	1.9	1.45	514	97	5.64	1.9	1.50	598		83	4.85		1.8	1.70	668	75	4.34	1.8	1.85			757	66	3.83	1.7	2.10	221	238	6.52	1.6	4.80	244	216	5.91	1.6	6.25	217	236	6.63	10	1.90	257	200	5.61	9.5	2.20	277	185	5.19	9.3	3.70	310	165	4.65	9.0	4.10	249	206	5.79	8.0	1.95	293	175	4.91	7.6	2.20	319	161	4.52	7.4	3.60	356	144	4.04	7.2	4.00	396	129	3.64	7.0	4.40	436	117	3.30	6.8	4.90	493	104	2.92	6.5	5.50	545	94	2.64	6.4	6.10	643	80	2.24	6.0	7.20	4.1	17380	347	128	2.10	4.6	15778	315	128	2.30	5.2	13974	279	128	2.60	5.7	12722	254	128	2.85	1.8	39294	790	128	0.95	2.0	35116	706	128	1.05	2.3	30689	617	128	1.20	2.7	26611	535	128	1.40	3.0	23825	479	128	1.55	3.2	22582	454	128	1.60	3.5	20194	406	128	1.80	4.1	17608	354	128	2.10	4.8	15071	303	128	2.45	2.8	22984	512	54	0.80	3.3	19572	436	59	0.95	3.8	16968	378	62	1.10	4.3	15173	338	64	1.20	4.7	13826	308	66	1.30	5.1	12569	280	67	1.45	4.5	14365	320	48	0.90	5.1	12614	281	60	1.05	5.8	11133	248	62	1.20	6.9	9427	210	65	1.40	7.8	8305	185	66	1.60	8.9	7227	161	67	1.80																																																																																																
774	66	1.86	2.3	1.85	894	57	1.61	2.2	1.95	1029	50	1.40	2.1	2.00	706	73	2.04	0.6	0.90	750	68	1.92	0.7	1.00	873	59	1.65	0.9	1.15	973	53	1.48	1.0	1.25	1108	46	1.30	1.1	1.30	7.5kW							7.5kW							310	161	9.35	2.8	2.20	GR57 GRF57	2P	1.6	45780	914	128	0.80			GR177R107 GRF177R107	4P	364	137	7.97					2.7	2.40	385					130	7.53	2.7	2.50	452					110	6.41	2.6	2.90	498					100	5.82	2.5	3.00	574					87	5.05	2.4	3.30	661					76	4.39	2.3	3.50	297			168	4.85	1.8	0.85	332	150	4.34			2.0	0.90	376	133	3.83	2.0	1.00			231	216	12.54	1.6	1.10	GR47 GRF47	2P	3.8	19234	384			128	1.90	246			203	11.79	1.8	1.15	286			175	10.15	2.1	1.25	320		156	9.07		2.1	1.35	362	138	8.01			2.1	1.40	483	103	6.00			1.9	1.45	514	97	5.64	1.9	1.50	598	83	4.85	1.8		1.70	668		75	4.34	1.8	1.85	757	66	3.83	1.7	2.10	221	238	6.52	1.6	4.80	244	216	5.91	1.6	6.25	217	236	6.63	10	1.90	257	200	5.61	9.5	2.20	277	185	5.19	9.3	3.70	310	165	4.65	9.0	4.10	249	206	5.79	8.0	1.95	293	175	4.91	7.6	2.20	319	161	4.52	7.4	3.60	356	144	4.04	7.2	4.00	396	129	3.64	7.0	4.40	436	117	3.30	6.8	4.90	493	104	2.92	6.5	5.50	545	94	2.64	6.4	6.10	643	80	2.24	6.0	7.20	4.1	17380	347	128	2.10	4.6	15778	315	128	2.30	5.2	13974	279	128	2.60	5.7	12722	254	128	2.85	1.8	39294	790	128	0.95	2.0	35116	706	128	1.05	2.3	30689	617	128	1.20	2.7	26611	535	128	1.40	3.0	23825	479	128	1.55	3.2	22582	454	128	1.60	3.5	20194	406	128	1.80	4.1	17608	354	128	2.10	4.8	15071	303	128	2.45	2.8	22984	512	54	0.80	3.3	19572	436	59	0.95	3.8	16968	378	62	1.10	4.3	15173	338	64	1.20	4.7	13826	308	66	1.30	5.1	12569	280	67	1.45	4.5	14365	320	48	0.90	5.1	12614	281	60	1.05	5.8	11133	248	62	1.20	6.9	9427	210	65	1.40	7.8	8305	185	66	1.60	8.9	7227	161	67	1.80																																																																																																					
894	57	1.61	2.2	1.95	1029	50	1.40	2.1	2.00	706	73	2.04	0.6	0.90	750	68	1.92	0.7	1.00	873	59	1.65	0.9	1.15	973	53	1.48	1.0	1.25	1108	46	1.30	1.1	1.30	7.5kW							7.5kW							310	161	9.35	2.8	2.20	GR57 GRF57	2P	1.6	45780	914			128	0.80	GR177R107 GRF177R107	4P	364					137	7.97	2.7					2.40	385	130					7.53	2.7	2.50	452	110					6.41	2.6	2.90	498	100					5.82	2.5	3.00	574	87					5.05	2.4	3.30	661	76			4.39	2.3	3.50	297	168	4.85	1.8			0.85	332	150	4.34	2.0	0.90	376			133	3.83	2.0	1.00	231	216	12.54	1.6	1.10	GR47 GRF47	2P	3.8	19234	384			128	1.90	246			203	11.79	1.8			1.15	286	175	10.15	2.1			1.25	320	156	9.07	2.1		1.35	362		138	8.01	2.1	1.40	483			103	6.00	1.9	1.45	514			97	5.64	1.9	1.50	598	83	4.85	1.8	1.70	668	75	4.34	1.8	1.85	757	66	3.83	1.7	2.10	221	238	6.52	1.6	4.80	244	216	5.91	1.6	6.25	217	236	6.63	10	1.90	257	200	5.61	9.5	2.20	277	185	5.19	9.3	3.70	310	165	4.65	9.0	4.10	249	206	5.79	8.0	1.95	293	175	4.91	7.6	2.20	319	161	4.52	7.4	3.60	356	144	4.04	7.2	4.00	396	129	3.64	7.0	4.40	436	117	3.30	6.8	4.90	493	104	2.92	6.5	5.50	545	94	2.64	6.4	6.10	643	80	2.24	6.0	7.20	4.1	17380	347	128	2.10	4.6	15778	315	128	2.30	5.2	13974	279	128	2.60	5.7	12722	254	128	2.85	1.8	39294	790	128	0.95	2.0	35116	706	128	1.05	2.3	30689	617	128	1.20	2.7	26611	535	128	1.40	3.0	23825	479	128	1.55	3.2	22582	454	128	1.60	3.5	20194	406	128	1.80	4.1	17608	354	128	2.10	4.8	15071	303	128	2.45	2.8	22984	512	54	0.80	3.3	19572	436	59	0.95	3.8	16968	378	62	1.10	4.3	15173	338	64	1.20	4.7	13826	308	66	1.30	5.1	12569	280	67	1.45	4.5	14365	320	48	0.90	5.1	12614	281	60	1.05	5.8	11133	248	62	1.20	6.9	9427	210	65	1.40	7.8	8305	185	66	1.60	8.9	7227	161	67	1.80																																																																																																										
1029	50	1.40	2.1	2.00	706	73	2.04	0.6	0.90	750	68	1.92	0.7	1.00	873	59	1.65	0.9	1.15	973	53	1.48	1.0	1.25	1108	46	1.30	1.1	1.30	7.5kW							7.5kW							310	161	9.35	2.8	2.20	GR57 GRF57	2P	1.6	45780	914			128	0.80	GR177R107 GRF177R107			4P	364			137					7.97	2.7	2.40					385	130	7.53					2.7	2.50	452	110	6.41					2.6	2.90	498	100	5.82					2.5	3.00	574	87	5.05			2.4	3.30	661	76	4.39	2.3	3.50			297	168	4.85	1.8	0.85	332	150			4.34	2.0	0.90	376	133	3.83	2.0	1.00	231	216	12.54	1.6	1.10	GR47 GRF47	2P	3.8	19234	384			128	1.90	246			203	11.79	1.8			1.15	286	175			10.15	2.1	1.25	320	156			9.07	2.1	1.35	362	138		8.01	2.1		1.40	483	103	6.00	1.9			1.45	514	97	5.64	1.9	1.50	598	83	4.85	1.8	1.70	668	75	4.34	1.8	1.85	757	66	3.83	1.7	2.10	221	238	6.52	1.6	4.80	244	216	5.91	1.6	6.25	217	236	6.63	10	1.90	257	200	5.61	9.5	2.20	277	185	5.19	9.3	3.70	310	165	4.65	9.0	4.10	249	206	5.79	8.0	1.95	293	175	4.91	7.6	2.20	319	161	4.52	7.4	3.60	356	144	4.04	7.2	4.00	396	129	3.64	7.0	4.40	436	117	3.30	6.8	4.90	493	104	2.92	6.5	5.50	545	94	2.64	6.4	6.10	643	80	2.24	6.0	7.20	4.1	17380	347	128	2.10	4.6	15778	315	128	2.30	5.2	13974	279	128	2.60	5.7	12722	254	128	2.85	1.8	39294	790	128	0.95	2.0	35116	706	128	1.05	2.3	30689	617	128	1.20	2.7	26611	535	128	1.40	3.0	23825	479	128	1.55	3.2	22582	454	128	1.60	3.5	20194	406	128	1.80	4.1	17608	354	128	2.10	4.8	15071	303	128	2.45	2.8	22984	512	54	0.80	3.3	19572	436	59	0.95	3.8	16968	378	62	1.10	4.3	15173	338	64	1.20	4.7	13826	308	66	1.30	5.1	12569	280	67	1.45	4.5	14365	320	48	0.90	5.1	12614	281	60	1.05	5.8	11133	248	62	1.20	6.9	9427	210	65	1.40	7.8	8305	185	66	1.60	8.9	7227	161	67	1.80																																																																																																															
706	73	2.04	0.6	0.90	750	68	1.92	0.7	1.00	873	59	1.65	0.9	1.15	973	53	1.48	1.0	1.25	1108	46	1.30	1.1	1.30	7.5kW							7.5kW							310	161	9.35	2.8	2.20	GR57 GRF57	2P	1.6	45780	914			128	0.80	GR177R107 GRF177R107			4P	364					137			7.97					2.7	2.40	385					130	7.53	2.7					2.50	452	110	6.41	2.6					2.90	498	100	5.82	2.5			3.00	574	87	5.05	2.4	3.30	661			76	4.39	2.3	3.50	297	168	4.85			1.8	0.85	332	150	4.34	2.0	0.90	376	133	3.83	2.0	1.00	231	216	12.54	1.6	1.10	GR47 GRF47	2P	3.8	19234	384			128	1.90	246			203	11.79	1.8			1.15	286	175			10.15	2.1	1.25			320	156	9.07	2.1	1.35			362	138	8.01	2.1	1.40		483	103		6.00	1.9	1.45	514	97	5.64	1.9	1.50	598	83	4.85	1.8	1.70	668	75	4.34	1.8	1.85	757	66	3.83	1.7	2.10	221	238	6.52	1.6	4.80	244	216	5.91	1.6	6.25	217	236	6.63	10	1.90	257	200	5.61	9.5	2.20	277	185	5.19	9.3	3.70	310	165	4.65	9.0	4.10	249	206	5.79	8.0	1.95	293	175	4.91	7.6	2.20	319	161	4.52	7.4	3.60	356	144	4.04	7.2	4.00	396	129	3.64	7.0	4.40	436	117	3.30	6.8	4.90	493	104	2.92	6.5	5.50	545	94	2.64	6.4	6.10	643	80	2.24	6.0	7.20	4.1	17380	347	128	2.10	4.6	15778	315	128	2.30	5.2	13974	279	128	2.60	5.7	12722	254	128	2.85	1.8	39294	790	128	0.95	2.0	35116	706	128	1.05	2.3	30689	617	128	1.20	2.7	26611	535	128	1.40	3.0	23825	479	128	1.55	3.2	22582	454	128	1.60	3.5	20194	406	128	1.80	4.1	17608	354	128	2.10	4.8	15071	303	128	2.45	2.8	22984	512	54	0.80	3.3	19572	436	59	0.95	3.8	16968	378	62	1.10	4.3	15173	338	64	1.20	4.7	13826	308	66	1.30	5.1	12569	280	67	1.45	4.5	14365	320	48	0.90	5.1	12614	281	60	1.05	5.8	11133	248	62	1.20	6.9	9427	210	65	1.40	7.8	8305	185	66	1.60	8.9	7227	161	67	1.80																																																																																																																				
750	68	1.92	0.7	1.00	873	59	1.65	0.9	1.15	973	53	1.48	1.0	1.25	1108	46	1.30	1.1	1.30	7.5kW							7.5kW							310	161	9.35	2.8	2.20	GR57 GRF57	2P	1.6	45780	914			128	0.80	GR177R107 GRF177R107			4P	364					137					7.97			2.7					2.40	385	130					7.53	2.7	2.50					452	110	6.41	2.6	2.90			498	100	5.82	2.5	3.00	574	87			5.05	2.4	3.30	661	76	4.39	2.3			3.50	297	168	4.85	1.8	0.85	332	150	4.34	2.0	0.90	376	133	3.83	2.0	1.00	231	216	12.54	1.6	1.10	GR47 GRF47	2P	3.8	19234	384			128	1.90	246			203	11.79	1.8			1.15	286	175			10.15	2.1	1.25			320	156	9.07			2.1	1.35	362	138	8.01			2.1	1.40	483	103	6.00	1.9	1.45	514	97	5.64	1.9	1.50	598	83	4.85	1.8	1.70	668	75	4.34	1.8	1.85	757	66	3.83	1.7	2.10	221	238	6.52	1.6	4.80	244	216	5.91	1.6	6.25	217	236	6.63	10	1.90	257	200	5.61	9.5	2.20	277	185	5.19	9.3	3.70	310	165	4.65	9.0	4.10	249	206	5.79	8.0	1.95	293	175	4.91	7.6	2.20	319	161	4.52	7.4	3.60	356	144	4.04	7.2	4.00	396	129	3.64	7.0	4.40	436	117	3.30	6.8	4.90	493	104	2.92	6.5	5.50	545	94	2.64	6.4	6.10	643	80	2.24	6.0	7.20	4.1	17380	347	128	2.10	4.6	15778	315	128	2.30	5.2	13974	279	128	2.60	5.7	12722	254	128	2.85	1.8	39294	790	128	0.95	2.0	35116	706	128	1.05	2.3	30689	617	128	1.20	2.7	26611	535	128	1.40	3.0	23825	479	128	1.55	3.2	22582	454	128	1.60	3.5	20194	406	128	1.80	4.1	17608	354	128	2.10	4.8	15071	303	128	2.45	2.8	22984	512	54	0.80	3.3	19572	436	59	0.95	3.8	16968	378	62	1.10	4.3	15173	338	64	1.20	4.7	13826	308	66	1.30	5.1	12569	280	67	1.45	4.5	14365	320	48	0.90	5.1	12614	281	60	1.05	5.8	11133	248	62	1.20	6.9	9427	210	65	1.40	7.8	8305	185	66	1.60	8.9	7227	161	67	1.80																																																																																																																									
873	59	1.65	0.9	1.15	973	53	1.48	1.0	1.25	1108	46	1.30	1.1	1.30	7.5kW							7.5kW							310	161	9.35	2.8	2.20	GR57 GRF57	2P	1.6	45780	914			128	0.80	GR177R107 GRF177R107			4P	364					137					7.97					2.7			2.40					385	130	7.53					2.7	2.50	452			110	6.41	2.6	2.90	498	100	5.82			2.5	3.00	574	87	5.05	2.4	3.30			661	76	4.39	2.3	3.50	297	168	4.85	1.8	0.85	332	150	4.34	2.0	0.90	376	133	3.83	2.0	1.00	231	216	12.54	1.6	1.10	GR47 GRF47	2P	3.8	19234	384			128	1.90	246			203	11.79	1.8			1.15	286	175			10.15	2.1	1.25			320	156	9.07			2.1	1.35	362			138	8.01	2.1	1.40	483	103	6.00	1.9	1.45	514	97	5.64	1.9	1.50	598	83	4.85	1.8	1.70	668	75	4.34	1.8	1.85	757	66	3.83	1.7	2.10	221	238	6.52	1.6	4.80	244	216	5.91	1.6	6.25	217	236	6.63	10	1.90	257	200	5.61	9.5	2.20	277	185	5.19	9.3	3.70	310	165	4.65	9.0	4.10	249	206	5.79	8.0	1.95	293	175	4.91	7.6	2.20	319	161	4.52	7.4	3.60	356	144	4.04	7.2	4.00	396	129	3.64	7.0	4.40	436	117	3.30	6.8	4.90	493	104	2.92	6.5	5.50	545	94	2.64	6.4	6.10	643	80	2.24	6.0	7.20	4.1	17380	347	128	2.10	4.6	15778	315	128	2.30	5.2	13974	279	128	2.60	5.7	12722	254	128	2.85	1.8	39294	790	128	0.95	2.0	35116	706	128	1.05	2.3	30689	617	128	1.20	2.7	26611	535	128	1.40	3.0	23825	479	128	1.55	3.2	22582	454	128	1.60	3.5	20194	406	128	1.80	4.1	17608	354	128	2.10	4.8	15071	303	128	2.45	2.8	22984	512	54	0.80	3.3	19572	436	59	0.95	3.8	16968	378	62	1.10	4.3	15173	338	64	1.20	4.7	13826	308	66	1.30	5.1	12569	280	67	1.45	4.5	14365	320	48	0.90	5.1	12614	281	60	1.05	5.8	11133	248	62	1.20	6.9	9427	210	65	1.40	7.8	8305	185	66	1.60	8.9	7227	161	67	1.80																																																																																																																														
973	53	1.48	1.0	1.25	1108	46	1.30	1.1	1.30	7.5kW							7.5kW							310	161	9.35	2.8	2.20	GR57 GRF57	2P	1.6	45780	914			128	0.80	GR177R107 GRF177R107			4P	364					137					7.97					2.7					2.40			385					130	7.53	2.7	2.50	452			110	6.41	2.6			2.90	498	100	5.82	2.5	3.00	574			87	5.05	2.4	3.30	661	76	4.39	2.3	3.50	297	168	4.85	1.8	0.85	332	150	4.34	2.0	0.90	376	133	3.83	2.0	1.00	231	216	12.54	1.6	1.10	GR47 GRF47	2P	3.8	19234	384			128	1.90	246			203	11.79	1.8			1.15	286	175			10.15	2.1	1.25			320	156	9.07			2.1	1.35	362			138	8.01	2.1	1.40	483	103	6.00	1.9	1.45	514	97	5.64	1.9	1.50	598	83	4.85	1.8	1.70	668	75	4.34	1.8	1.85	757	66	3.83	1.7	2.10	221	238	6.52	1.6	4.80	244	216	5.91	1.6	6.25	217	236	6.63	10	1.90	257	200	5.61	9.5	2.20	277	185	5.19	9.3	3.70	310	165	4.65	9.0	4.10	249	206	5.79	8.0	1.95	293	175	4.91	7.6	2.20	319	161	4.52	7.4	3.60	356	144	4.04	7.2	4.00	396	129	3.64	7.0	4.40	436	117	3.30	6.8	4.90	493	104	2.92	6.5	5.50	545	94	2.64	6.4	6.10	643	80	2.24	6.0	7.20	4.1	17380	347	128	2.10	4.6	15778	315	128	2.30	5.2	13974	279	128	2.60	5.7	12722	254	128	2.85	1.8	39294	790	128	0.95	2.0	35116	706	128	1.05	2.3	30689	617	128	1.20	2.7	26611	535	128	1.40	3.0	23825	479	128	1.55	3.2	22582	454	128	1.60	3.5	20194	406	128	1.80	4.1	17608	354	128	2.10	4.8	15071	303	128	2.45	2.8	22984	512	54	0.80	3.3	19572	436	59	0.95	3.8	16968	378	62	1.10	4.3	15173	338	64	1.20	4.7	13826	308	66	1.30	5.1	12569	280	67	1.45	4.5	14365	320	48	0.90	5.1	12614	281	60	1.05	5.8	11133	248	62	1.20	6.9	9427	210	65	1.40	7.8	8305	185	66	1.60	8.9	7227	161	67	1.80																																																																																																																																			
1108	46	1.30	1.1	1.30																																																																																																																																																																																																																																																																																																																																																																																																																																																																																																																																
7.5kW							7.5kW																																																																																																																																																																																																																																																																																																																																																																																																																																																																																																																													
310	161	9.35	2.8	2.20	GR57 GRF57	2P	1.6	45780	914	128	0.80	GR177R107 GRF177R107	4P																																																																																																																																																																																																																																																																																																																																																																																																																																																																																																																							
364	137	7.97	2.7	2.40			385	130	7.53	2.7	2.50			452	110	6.41	2.6	2.90	498	100	5.82	2.5	3.00	574	87	5.05	2.4	3.30			661	76	4.39			2.3	3.50					297					168		4.85	1.8		0.85		332	150		4.34		2.0	0.90		376			133	3.83	2.0	1.00	231	216	12.54	1.6	1.10	GR47 GRF47	2P	3.8	19234	384	128	1.90	246	203	11.79	1.8	1.15	286	175	10.15	2.1	1.25	320	156	9.07	2.1	1.35	362	138	8.01	2.1	1.40	483	103	6.00	1.9	1.45	514	97	5.64	1.9	1.50	598	83	4.85	1.8	1.70	668	75	4.34	1.8			1.85	757	66			3.83	1.7	2.10			221	238	6.52			1.6	4.80	244	216	5.91	1.6	6.25	217	236	6.63	10	1.90	257	200	5.61	9.5	2.20	277	185	5.19	9.3	3.70	310	165	4.65	9.0	4.10	249	206	5.79	8.0	1.95	293	175	4.91	7.6	2.20	319	161	4.52	7.4	3.60	356	144	4.04	7.2	4.00	396	129	3.64	7.0	4.40	436	117	3.30	6.8	4.90	493	104	2.92	6.5	5.50	545	94	2.64	6.4	6.10	643	80	2.24	6.0	7.20	4.1	17380	347	128	2.10	4.6	15778	315	128	2.30	5.2	13974	279	128	2.60	5.7	12722	254	128	2.85	1.8	39294	790	128	0.95	2.0	35116	706	128	1.05	2.3	30689	617	128	1.20	2.7	26611	535	128	1.40	3.0	23825	479	128	1.55	3.2	22582	454	128	1.60	3.5	20194	406	128	1.80	4.1	17608	354	128	2.10	4.8	15071	303	128	2.45	2.8	22984	512	54	0.80	3.3	19572	436	59	0.95	3.8	16968	378	62	1.10	4.3	15173	338	64	1.20	4.7	13826	308	66	1.30	5.1	12569	280	67	1.45	4.5	14365	320	48	0.90	5.1	12614	281	60	1.05	5.8	11133	248	62	1.20	6.9	9427	210	65	1.40	7.8	8305	185	66	1.60	8.9	7227	161	67	1.80																																																																																																																																																																																							
385	130	7.53	2.7	2.50			452	110	6.41	2.6	2.90			498	100	5.82	2.5	3.00	574	87	5.05	2.4	3.30	661	76	4.39	2.3	3.50			297	168	4.85			1.8	0.85					332		150	4.34		2.0		0.90	376		133		3.83	2.0		1.00		231	216		12.54	1.6	1.10	GR47 GRF47	2P	3.8	19234	384	128	1.90	246	203			11.79	1.8	1.15	286	175	10.15	2.1	1.25	320	156	9.07	2.1	1.35	362	138	8.01	2.1	1.40	483	103	6.00	1.9	1.45	514	97	5.64	1.9	1.50	598	83	4.85	1.8	1.70	668	75	4.34	1.8	1.85	757	66	3.83	1.7	2.10	221			238	6.52	1.6			4.80	244	216			5.91	1.6	6.25	217	236	6.63	10	1.90	257	200	5.61	9.5	2.20	277	185	5.19	9.3	3.70	310	165	4.65	9.0	4.10	249	206	5.79	8.0	1.95	293	175	4.91	7.6	2.20	319	161	4.52	7.4	3.60	356	144	4.04	7.2	4.00	396	129	3.64	7.0	4.40	436	117	3.30	6.8	4.90	493	104	2.92	6.5	5.50	545	94	2.64	6.4	6.10	643	80	2.24	6.0	7.20	4.1	17380	347	128	2.10	4.6	15778	315	128	2.30	5.2	13974	279	128	2.60	5.7	12722	254	128	2.85	1.8	39294	790	128	0.95	2.0	35116	706	128	1.05	2.3	30689	617	128	1.20	2.7	26611	535	128	1.40	3.0	23825	479	128	1.55	3.2	22582	454	128	1.60	3.5	20194	406	128	1.80	4.1	17608	354	128	2.10	4.8	15071	303	128	2.45	2.8	22984	512	54	0.80	3.3	19572	436	59	0.95	3.8	16968	378	62	1.10	4.3	15173	338	64	1.20	4.7	13826	308	66	1.30	5.1	12569	280	67	1.45	4.5	14365	320	48	0.90	5.1	12614	281	60	1.05	5.8	11133	248	62	1.20	6.9	9427	210	65	1.40	7.8	8305	185	66	1.60	8.9	7227	161	67	1.80																																																																																																																																																																																																
452	110	6.41	2.6	2.90			498	100	5.82	2.5	3.00			574	87	5.05	2.4	3.30	661	76	4.39	2.3	3.50	297	168	4.85	1.8	0.85			332	150	4.34			2.0	0.90		376	133		3.83		2.0	1.00		231		216	12.54		1.6		1.10	GR47 GRF47		2P	3.8	19234	384	128	1.90	246	203			11.79	1.8	1.15	286	175	10.15	2.1			1.25	320	156	9.07	2.1	1.35	362	138	8.01	2.1	1.40	483	103	6.00	1.9	1.45	514	97	5.64	1.9	1.50	598	83	4.85	1.8	1.70	668	75	4.34	1.8	1.85	757	66	3.83	1.7	2.10	221	238	6.52	1.6	4.80	244	216	5.91			1.6	6.25	217			236	6.63	10	1.90	257	200	5.61	9.5	2.20	277	185	5.19	9.3	3.70	310	165	4.65	9.0	4.10	249	206	5.79	8.0	1.95	293	175	4.91	7.6	2.20	319	161	4.52	7.4	3.60	356	144	4.04	7.2	4.00	396	129	3.64	7.0	4.40	436	117	3.30	6.8	4.90	493	104	2.92	6.5	5.50	545	94	2.64	6.4	6.10	643	80	2.24	6.0	7.20	4.1	17380	347	128	2.10	4.6	15778	315	128	2.30	5.2	13974	279	128	2.60	5.7	12722	254	128	2.85	1.8	39294	790	128	0.95	2.0	35116	706	128	1.05	2.3	30689	617	128	1.20	2.7	26611	535	128	1.40	3.0	23825	479	128	1.55	3.2	22582	454	128	1.60	3.5	20194	406	128	1.80	4.1	17608	354	128	2.10	4.8	15071	303	128	2.45	2.8	22984	512	54	0.80	3.3	19572	436	59	0.95	3.8	16968	378	62	1.10	4.3	15173	338	64	1.20	4.7	13826	308	66	1.30	5.1	12569	280	67	1.45	4.5	14365	320	48	0.90	5.1	12614	281	60	1.05	5.8	11133	248	62	1.20	6.9	9427	210	65	1.40	7.8	8305	185	66	1.60	8.9	7227	161	67	1.80																																																																																																																																																																																																									
498	100	5.82	2.5	3.00			574	87	5.05	2.4	3.30			661	76	4.39	2.3	3.50	297	168	4.85	1.8	0.85	332	150	4.34	2.0	0.90			376	133	3.83	2.0	1.00	231	216		12.54	1.6		1.10		GR47 GRF47	2P		3.8		19234	384		128	1.90	246		203		11.79	1.8	1.15	286	175	10.15	2.1			1.25	320	156	9.07	2.1	1.35	362			138	8.01	2.1	1.40	483	103	6.00	1.9	1.45	514	97	5.64	1.9	1.50	598	83	4.85	1.8	1.70	668	75	4.34	1.8	1.85	757	66	3.83	1.7	2.10	221	238	6.52	1.6	4.80	244	216	5.91	1.6	6.25	217	236	6.63	10	1.90			257	200	5.61	9.5	2.20	277	185	5.19	9.3	3.70	310	165	4.65	9.0	4.10	249	206	5.79	8.0	1.95	293	175	4.91	7.6	2.20	319	161	4.52	7.4	3.60	356	144	4.04	7.2	4.00	396	129	3.64	7.0	4.40	436	117	3.30	6.8	4.90	493	104	2.92	6.5	5.50	545	94	2.64	6.4	6.10	643	80	2.24	6.0	7.20	4.1	17380	347	128	2.10	4.6	15778	315	128	2.30	5.2	13974	279	128	2.60	5.7	12722	254	128	2.85	1.8	39294	790	128	0.95	2.0	35116	706	128	1.05	2.3	30689	617	128	1.20	2.7	26611	535	128	1.40	3.0	23825	479	128	1.55	3.2	22582	454	128	1.60	3.5	20194	406	128	1.80	4.1	17608	354	128	2.10	4.8	15071	303	128	2.45	2.8	22984	512	54	0.80	3.3	19572	436	59	0.95	3.8	16968	378	62	1.10	4.3	15173	338	64	1.20	4.7	13826	308	66	1.30	5.1	12569	280	67	1.45	4.5	14365	320	48	0.90	5.1	12614	281	60	1.05	5.8	11133	248	62	1.20	6.9	9427	210	65	1.40	7.8	8305	185	66	1.60	8.9	7227	161	67	1.80																																																																																																																																																																																																																		
574	87	5.05	2.4	3.30			661	76	4.39	2.3	3.50			297	168	4.85	1.8	0.85	332	150	4.34	2.0	0.90	376	133	3.83	2.0	1.00	231	216	12.54	1.6	1.10	GR47 GRF47	2P	3.8	19234		384	128		1.90					246	203	11.79	1.8	1.15	286	175	10.15		2.1		1.25	320	156	9.07	2.1	1.35	362			138	8.01	2.1	1.40	483	103	6.00			1.9	1.45	514	97	5.64	1.9	1.50	598	83	4.85	1.8	1.70	668	75	4.34	1.8	1.85	757	66	3.83	1.7	2.10	221	238	6.52	1.6	4.80	244	216	5.91	1.6	6.25	217	236	6.63	10	1.90	257	200	5.61	9.5	2.20	277	185	5.19	9.3	3.70	310	165	4.65	9.0	4.10	249	206	5.79	8.0	1.95	293	175	4.91	7.6	2.20	319	161	4.52	7.4	3.60	356	144	4.04	7.2	4.00	396	129	3.64	7.0	4.40	436	117	3.30	6.8	4.90	493	104	2.92	6.5	5.50	545	94	2.64	6.4	6.10	643	80	2.24	6.0	7.20	4.1	17380	347	128	2.10	4.6	15778	315	128	2.30	5.2	13974	279	128	2.60	5.7	12722	254	128	2.85	1.8	39294	790	128	0.95	2.0	35116	706	128	1.05	2.3	30689	617	128	1.20	2.7	26611	535	128	1.40	3.0	23825	479	128	1.55	3.2	22582	454	128	1.60	3.5	20194	406	128	1.80	4.1	17608	354	128	2.10	4.8	15071	303	128	2.45	2.8	22984	512	54	0.80	3.3	19572	436	59	0.95	3.8	16968	378	62	1.10	4.3	15173	338	64	1.20	4.7	13826	308	66	1.30	5.1	12569	280	67	1.45	4.5	14365	320	48	0.90	5.1	12614	281	60	1.05	5.8	11133	248	62	1.20	6.9	9427	210	65	1.40	7.8	8305	185	66	1.60	8.9	7227	161	67	1.80																																																																																																																																																																																																																											
661	76	4.39	2.3	3.50			297	168	4.85	1.8	0.85			332	150	4.34	2.0	0.90	376	133	3.83	2.0	1.00	231	216	12.54	1.6	1.10	GR47 GRF47	2P	3.8	19234	384			128	1.90		246	203		11.79	1.8			1.15	286	175	10.15	2.1	1.25	320	156	9.07		2.1		1.35	362	138	8.01	2.1	1.40	483			103	6.00	1.9	1.45	514	97	5.64			1.9	1.50	598	83	4.85	1.8	1.70	668	75	4.34	1.8	1.85	757	66	3.83	1.7	2.10	221	238	6.52	1.6	4.80	244	216	5.91	1.6	6.25	217	236	6.63	10	1.90	257	200	5.61	9.5	2.20	277	185	5.19	9.3	3.70	310	165	4.65	9.0	4.10	249	206	5.79	8.0	1.95	293	175	4.91	7.6	2.20	319	161	4.52	7.4	3.60	356	144	4.04	7.2	4.00	396	129	3.64	7.0	4.40	436	117	3.30	6.8	4.90	493	104	2.92	6.5	5.50	545	94	2.64	6.4	6.10	643	80	2.24	6.0	7.20	4.1	17380	347	128	2.10	4.6	15778	315	128	2.30	5.2	13974	279	128	2.60	5.7	12722	254	128	2.85	1.8	39294	790	128	0.95	2.0	35116	706	128	1.05	2.3	30689	617	128	1.20	2.7	26611	535	128	1.40	3.0	23825	479	128	1.55	3.2	22582	454	128	1.60	3.5	20194	406	128	1.80	4.1	17608	354	128	2.10	4.8	15071	303	128	2.45	2.8	22984	512	54	0.80	3.3	19572	436	59	0.95	3.8	16968	378	62	1.10	4.3	15173	338	64	1.20	4.7	13826	308	66	1.30	5.1	12569	280	67	1.45	4.5	14365	320	48	0.90	5.1	12614	281	60	1.05	5.8	11133	248	62	1.20	6.9	9427	210	65	1.40	7.8	8305	185	66	1.60	8.9	7227	161	67	1.80																																																																																																																																																																																																																																
297	168	4.85	1.8	0.85			332	150	4.34	2.0	0.90			376	133	3.83	2.0	1.00	231	216	12.54	1.6	1.10	GR47 GRF47	2P	3.8	19234	384			128	1.90	246			203	11.79	1.8	1.15	286	175	10.15	2.1			1.25	320	156	9.07	2.1	1.35	362	138	8.01		2.1		1.40	483	103	6.00	1.9	1.45	514			97	5.64	1.9	1.50	598	83	4.85			1.8	1.70	668	75	4.34	1.8	1.85	757	66	3.83	1.7	2.10	221	238	6.52	1.6	4.80	244	216	5.91	1.6	6.25	217	236	6.63	10	1.90	257	200	5.61	9.5	2.20	277	185	5.19	9.3	3.70	310	165	4.65	9.0	4.10	249	206	5.79	8.0	1.95	293	175	4.91	7.6	2.20	319	161	4.52	7.4	3.60	356	144	4.04	7.2	4.00	396	129	3.64	7.0	4.40	436	117	3.30	6.8	4.90	493	104	2.92	6.5	5.50	545	94	2.64	6.4	6.10	643	80	2.24	6.0	7.20	4.1	17380	347	128	2.10	4.6	15778	315	128	2.30	5.2	13974	279	128	2.60	5.7	12722	254	128	2.85	1.8	39294	790	128	0.95	2.0	35116	706	128	1.05	2.3	30689	617	128	1.20	2.7	26611	535	128	1.40	3.0	23825	479	128	1.55	3.2	22582	454	128	1.60	3.5	20194	406	128	1.80	4.1	17608	354	128	2.10	4.8	15071	303	128	2.45	2.8	22984	512	54	0.80	3.3	19572	436	59	0.95	3.8	16968	378	62	1.10	4.3	15173	338	64	1.20	4.7	13826	308	66	1.30	5.1	12569	280	67	1.45	4.5	14365	320	48	0.90	5.1	12614	281	60	1.05	5.8	11133	248	62	1.20	6.9	9427	210	65	1.40	7.8	8305	185	66	1.60	8.9	7227	161	67	1.80																																																																																																																																																																																																																																					
332	150	4.34	2.0	0.90	376	133	3.83	2.0	1.00	231	216			12.54	1.6	1.10	GR47 GRF47	2P	3.8	19234	384	128	1.90			246	203	11.79			1.8	1.15	286			175	10.15	2.1	1.25	320	156	9.07	2.1			1.35	362	138	8.01	2.1	1.40	483	103	6.00		1.9		1.45	514	97	5.64	1.9	1.50	598			83	4.85	1.8	1.70	668	75	4.34			1.8	1.85	757	66	3.83	1.7	2.10	221	238	6.52	1.6	4.80	244	216	5.91	1.6	6.25	217	236	6.63	10	1.90	257	200	5.61	9.5	2.20	277	185	5.19	9.3	3.70	310	165	4.65	9.0	4.10	249	206	5.79	8.0	1.95	293	175	4.91	7.6	2.20	319	161	4.52	7.4	3.60	356	144	4.04	7.2	4.00	396	129	3.64	7.0	4.40	436	117	3.30	6.8	4.90	493	104	2.92	6.5	5.50	545	94	2.64	6.4	6.10	643	80	2.24	6.0	7.20	4.1	17380	347	128	2.10	4.6	15778	315	128	2.30	5.2	13974	279	128	2.60	5.7	12722	254	128	2.85	1.8	39294	790	128	0.95	2.0	35116	706	128	1.05	2.3	30689	617	128	1.20	2.7	26611	535	128	1.40	3.0	23825	479	128	1.55	3.2	22582	454	128	1.60	3.5	20194	406	128	1.80	4.1	17608	354	128	2.10	4.8	15071	303	128	2.45	2.8	22984	512	54	0.80	3.3	19572	436	59	0.95	3.8	16968	378	62	1.10	4.3	15173	338	64	1.20	4.7	13826	308	66	1.30	5.1	12569	280	67	1.45	4.5	14365	320	48	0.90	5.1	12614	281	60	1.05	5.8	11133	248	62	1.20	6.9	9427	210	65	1.40	7.8	8305	185	66	1.60	8.9	7227	161	67	1.80																																																																																																																																																																																																																																										
376	133	3.83	2.0	1.00	231	216	12.54	1.6	1.10	GR47 GRF47	2P			3.8	19234	384			128	1.90	246	203	11.79			1.8	1.15	286			175	10.15	2.1			1.25	320	156	9.07	2.1	1.35	362	138			8.01	2.1	1.40	483	103	6.00	1.9	1.45	514		97		5.64	1.9	1.50	598	83	4.85	1.8			1.70	668	75	4.34	1.8	1.85	757	66	3.83	1.7	2.10	221	238	6.52	1.6	4.80	244	216	5.91	1.6	6.25	217	236	6.63	10	1.90	257	200	5.61	9.5	2.20	277	185	5.19	9.3	3.70	310	165	4.65	9.0	4.10	249	206	5.79	8.0	1.95	293	175	4.91	7.6	2.20	319	161	4.52	7.4	3.60	356	144	4.04	7.2	4.00	396	129	3.64	7.0	4.40	436	117	3.30	6.8	4.90	493	104	2.92	6.5	5.50	545	94	2.64	6.4	6.10	643	80	2.24	6.0	7.20	4.1	17380	347	128	2.10	4.6	15778	315	128	2.30	5.2	13974	279	128	2.60	5.7	12722	254	128	2.85	1.8	39294	790	128	0.95	2.0	35116	706	128	1.05	2.3	30689	617	128	1.20	2.7	26611	535	128	1.40	3.0	23825	479	128	1.55	3.2	22582	454	128	1.60	3.5	20194	406	128	1.80	4.1	17608	354	128	2.10	4.8	15071	303	128	2.45	2.8	22984	512	54	0.80	3.3	19572	436	59	0.95	3.8	16968	378	62	1.10	4.3	15173	338	64	1.20	4.7	13826	308	66	1.30	5.1	12569	280	67	1.45	4.5	14365	320	48	0.90	5.1	12614	281	60	1.05	5.8	11133	248	62	1.20	6.9	9427	210	65	1.40	7.8	8305	185	66	1.60	8.9	7227	161	67	1.80																																																																																																																																																																																																																																															
231	216	12.54	1.6	1.10	GR47 GRF47	2P	3.8	19234	384			128	1.90	246	203	11.79			1.8	1.15	286	175	10.15			2.1	1.25	320			156	9.07	2.1			1.35	362	138	8.01	2.1	1.40	483	103			6.00	1.9	1.45	514	97	5.64	1.9	1.50	598		83		4.85	1.8	1.70	668	75	4.34	1.8	1.85	757	66	3.83	1.7	2.10	221	238	6.52	1.6	4.80	244	216	5.91	1.6	6.25	217	236	6.63	10	1.90	257	200	5.61	9.5	2.20	277	185	5.19	9.3	3.70	310	165	4.65	9.0	4.10	249	206	5.79	8.0	1.95	293	175	4.91	7.6	2.20	319	161	4.52	7.4	3.60	356	144	4.04	7.2	4.00	396	129	3.64	7.0	4.40	436	117	3.30	6.8	4.90	493	104	2.92	6.5	5.50	545	94	2.64	6.4	6.10	643	80	2.24	6.0	7.20	4.1	17380	347	128	2.10	4.6	15778	315	128	2.30	5.2	13974	279	128	2.60	5.7	12722	254	128	2.85	1.8	39294	790	128	0.95	2.0	35116	706	128	1.05	2.3	30689	617	128	1.20	2.7	26611	535	128	1.40	3.0	23825	479	128	1.55	3.2	22582	454	128	1.60	3.5	20194	406	128	1.80	4.1	17608	354	128	2.10	4.8	15071	303	128	2.45	2.8	22984	512	54	0.80	3.3	19572	436	59	0.95	3.8	16968	378	62	1.10	4.3	15173	338	64	1.20	4.7	13826	308	66	1.30	5.1	12569	280	67	1.45	4.5	14365	320	48	0.90	5.1	12614	281	60	1.05	5.8	11133	248	62	1.20	6.9	9427	210	65	1.40	7.8	8305	185	66	1.60	8.9	7227	161	67	1.80																																																																																																																																																																																																																																																						
246	203	11.79	1.8	1.15			286	175	10.15			2.1	1.25	320	156	9.07			2.1	1.35	362	138	8.01			2.1	1.40	483			103	6.00	1.9			1.45	514	97	5.64	1.9	1.50	598	83			4.85	1.8	1.70	668	75	4.34	1.8	1.85	757	66	3.83	1.7	2.10	221	238	6.52	1.6	4.80	244	216	5.91	1.6	6.25	217	236	6.63	10	1.90	257	200	5.61	9.5	2.20	277	185	5.19	9.3	3.70	310	165	4.65	9.0	4.10	249	206	5.79	8.0	1.95	293	175	4.91	7.6	2.20	319	161	4.52	7.4	3.60	356	144	4.04	7.2	4.00	396	129	3.64	7.0	4.40	436	117	3.30	6.8	4.90	493	104	2.92	6.5	5.50	545	94	2.64	6.4	6.10	643	80	2.24	6.0	7.20	4.1	17380	347	128	2.10	4.6	15778	315	128	2.30	5.2	13974	279	128	2.60	5.7	12722	254	128	2.85	1.8	39294	790	128	0.95	2.0	35116	706	128	1.05	2.3	30689	617	128	1.20	2.7	26611	535	128	1.40	3.0	23825	479	128	1.55	3.2	22582	454	128	1.60	3.5	20194	406	128	1.80	4.1	17608	354	128	2.10	4.8	15071	303	128	2.45	2.8	22984	512	54	0.80	3.3	19572	436	59	0.95	3.8	16968	378	62	1.10	4.3	15173	338	64	1.20	4.7	13826	308	66	1.30	5.1	12569	280	67	1.45	4.5	14365	320	48	0.90	5.1	12614	281	60	1.05	5.8	11133	248	62	1.20	6.9	9427	210	65	1.40	7.8	8305	185	66	1.60	8.9	7227	161	67	1.80																																																																																																																																																																																																																																																																		
286	175	10.15	2.1	1.25			320	156	9.07			2.1	1.35	362	138	8.01			2.1	1.40	483	103	6.00			1.9	1.45	514			97	5.64	1.9			1.50	598	83	4.85	1.8	1.70	668	75	4.34	1.8	1.85	757	66	3.83	1.7	2.10	221	238	6.52	1.6	4.80	244	216	5.91	1.6	6.25	217	236	6.63	10	1.90	257	200	5.61	9.5	2.20	277	185	5.19	9.3	3.70	310	165	4.65	9.0	4.10	249	206	5.79	8.0	1.95	293	175	4.91	7.6	2.20	319	161	4.52	7.4	3.60	356	144	4.04	7.2	4.00	396	129	3.64	7.0	4.40	436	117	3.30	6.8	4.90	493	104	2.92	6.5	5.50	545	94	2.64	6.4	6.10	643	80	2.24	6.0	7.20	4.1	17380	347	128	2.10	4.6	15778	315	128	2.30	5.2	13974	279	128	2.60	5.7	12722	254	128	2.85	1.8	39294	790	128	0.95	2.0	35116	706	128	1.05	2.3	30689	617	128	1.20	2.7	26611	535	128	1.40	3.0	23825	479	128	1.55	3.2	22582	454	128	1.60	3.5	20194	406	128	1.80	4.1	17608	354	128	2.10	4.8	15071	303	128	2.45	2.8	22984	512	54	0.80	3.3	19572	436	59	0.95	3.8	16968	378	62	1.10	4.3	15173	338	64	1.20	4.7	13826	308	66	1.30	5.1	12569	280	67	1.45	4.5	14365	320	48	0.90	5.1	12614	281	60	1.05	5.8	11133	248	62	1.20	6.9	9427	210	65	1.40	7.8	8305	185	66	1.60	8.9	7227	161	67	1.80																																																																																																																																																																																																																																																																									
320	156	9.07	2.1	1.35			362	138	8.01			2.1	1.40	483	103	6.00			1.9	1.45	514	97	5.64			1.9	1.50	598			83	4.85	1.8	1.70	668	75	4.34	1.8	1.85	757	66	3.83	1.7	2.10	221	238	6.52	1.6	4.80	244	216	5.91	1.6	6.25	217	236	6.63	10	1.90	257	200	5.61	9.5	2.20	277	185	5.19	9.3	3.70	310	165	4.65	9.0	4.10	249	206	5.79	8.0	1.95	293	175	4.91	7.6	2.20	319	161	4.52	7.4	3.60	356	144	4.04	7.2	4.00	396	129	3.64	7.0	4.40	436	117	3.30	6.8	4.90	493	104	2.92	6.5	5.50	545	94	2.64	6.4	6.10	643	80	2.24	6.0	7.20	4.1	17380	347	128	2.10	4.6	15778	315	128	2.30	5.2	13974	279	128	2.60	5.7	12722	254	128	2.85	1.8	39294	790	128	0.95	2.0	35116	706	128	1.05	2.3	30689	617	128	1.20	2.7	26611	535	128	1.40	3.0	23825	479	128	1.55	3.2	22582	454	128	1.60	3.5	20194	406	128	1.80	4.1	17608	354	128	2.10	4.8	15071	303	128	2.45	2.8	22984	512	54	0.80	3.3	19572	436	59	0.95	3.8	16968	378	62	1.10	4.3	15173	338	64	1.20	4.7	13826	308	66	1.30	5.1	12569	280	67	1.45	4.5	14365	320	48	0.90	5.1	12614	281	60	1.05	5.8	11133	248	62	1.20	6.9	9427	210	65	1.40	7.8	8305	185	66	1.60	8.9	7227	161	67	1.80																																																																																																																																																																																																																																																																																
362	138	8.01	2.1	1.40			483	103	6.00			1.9	1.45	514	97	5.64			1.9	1.50	598	83	4.85			1.8	1.70	668	75	4.34	1.8	1.85	757	66	3.83	1.7	2.10	221	238	6.52	1.6	4.80	244	216	5.91	1.6	6.25	217	236	6.63	10	1.90	257	200	5.61	9.5	2.20	277	185	5.19	9.3	3.70	310	165	4.65	9.0	4.10	249	206	5.79	8.0	1.95	293	175	4.91	7.6	2.20	319	161	4.52	7.4	3.60	356	144	4.04	7.2	4.00	396	129	3.64	7.0	4.40	436	117	3.30	6.8	4.90	493	104	2.92	6.5	5.50	545	94	2.64	6.4	6.10	643	80	2.24	6.0	7.20	4.1	17380	347	128	2.10	4.6	15778	315	128	2.30	5.2	13974	279	128	2.60	5.7	12722	254	128	2.85	1.8	39294	790	128	0.95	2.0	35116	706	128	1.05	2.3	30689	617	128	1.20	2.7	26611	535	128	1.40	3.0	23825	479	128	1.55	3.2	22582	454	128	1.60	3.5	20194	406	128	1.80	4.1	17608	354	128	2.10	4.8	15071	303	128	2.45	2.8	22984	512	54	0.80	3.3	19572	436	59	0.95	3.8	16968	378	62	1.10	4.3	15173	338	64	1.20	4.7	13826	308	66	1.30	5.1	12569	280	67	1.45	4.5	14365	320	48	0.90	5.1	12614	281	60	1.05	5.8	11133	248	62	1.20	6.9	9427	210	65	1.40	7.8	8305	185	66	1.60	8.9	7227	161	67	1.80																																																																																																																																																																																																																																																																																							
483	103	6.00	1.9	1.45			514	97	5.64			1.9	1.50	598	83	4.85			1.8	1.70	668	75	4.34	1.8	1.85	757	66	3.83	1.7	2.10	221	238	6.52	1.6	4.80	244	216	5.91	1.6	6.25	217	236	6.63	10	1.90	257	200	5.61	9.5	2.20	277	185	5.19	9.3	3.70	310	165	4.65	9.0	4.10	249	206	5.79	8.0	1.95	293	175	4.91	7.6	2.20	319	161	4.52	7.4	3.60	356	144	4.04	7.2	4.00	396	129	3.64	7.0	4.40	436	117	3.30	6.8	4.90	493	104	2.92	6.5	5.50	545	94	2.64	6.4	6.10	643	80	2.24	6.0	7.20	4.1	17380	347	128	2.10	4.6	15778	315	128	2.30	5.2	13974	279	128	2.60	5.7	12722	254	128	2.85	1.8	39294	790	128	0.95	2.0	35116	706	128	1.05	2.3	30689	617	128	1.20	2.7	26611	535	128	1.40	3.0	23825	479	128	1.55	3.2	22582	454	128	1.60	3.5	20194	406	128	1.80	4.1	17608	354	128	2.10	4.8	15071	303	128	2.45	2.8	22984	512	54	0.80	3.3	19572	436	59	0.95	3.8	16968	378	62	1.10	4.3	15173	338	64	1.20	4.7	13826	308	66	1.30	5.1	12569	280	67	1.45	4.5	14365	320	48	0.90	5.1	12614	281	60	1.05	5.8	11133	248	62	1.20	6.9	9427	210	65	1.40	7.8	8305	185	66	1.60	8.9	7227	161	67	1.80																																																																																																																																																																																																																																																																																														
514	97	5.64	1.9	1.50			598	83	4.85			1.8	1.70	668	75	4.34	1.8	1.85	757	66	3.83	1.7	2.10	221	238	6.52	1.6	4.80	244	216	5.91	1.6	6.25	217	236	6.63	10	1.90	257	200	5.61	9.5	2.20	277	185	5.19	9.3	3.70	310	165	4.65	9.0	4.10	249	206	5.79	8.0	1.95	293	175	4.91	7.6	2.20	319	161	4.52	7.4	3.60	356	144	4.04	7.2	4.00	396	129	3.64	7.0	4.40	436	117	3.30	6.8	4.90	493	104	2.92	6.5	5.50	545	94	2.64	6.4	6.10	643	80	2.24	6.0	7.20	4.1	17380	347	128	2.10	4.6	15778	315	128	2.30	5.2	13974	279	128	2.60	5.7	12722	254	128	2.85	1.8	39294	790	128	0.95	2.0	35116	706	128	1.05	2.3	30689	617	128	1.20	2.7	26611	535	128	1.40	3.0	23825	479	128	1.55	3.2	22582	454	128	1.60	3.5	20194	406	128	1.80	4.1	17608	354	128	2.10	4.8	15071	303	128	2.45	2.8	22984	512	54	0.80	3.3	19572	436	59	0.95	3.8	16968	378	62	1.10	4.3	15173	338	64	1.20	4.7	13826	308	66	1.30	5.1	12569	280	67	1.45	4.5	14365	320	48	0.90	5.1	12614	281	60	1.05	5.8	11133	248	62	1.20	6.9	9427	210	65	1.40	7.8	8305	185	66	1.60	8.9	7227	161	67	1.80																																																																																																																																																																																																																																																																																																					
598	83	4.85	1.8	1.70			668	75	4.34	1.8	1.85	757	66	3.83	1.7	2.10	221	238	6.52	1.6	4.80	244	216	5.91	1.6	6.25	217	236	6.63	10	1.90	257	200	5.61	9.5	2.20	277	185	5.19	9.3	3.70	310	165	4.65	9.0	4.10	249	206	5.79	8.0	1.95	293	175	4.91	7.6	2.20	319	161	4.52	7.4	3.60	356	144	4.04	7.2	4.00	396	129	3.64	7.0	4.40	436	117	3.30	6.8	4.90	493	104	2.92	6.5	5.50	545	94	2.64	6.4	6.10	643	80	2.24	6.0	7.20	4.1	17380	347	128	2.10	4.6	15778	315	128	2.30	5.2	13974	279	128	2.60	5.7	12722	254	128	2.85	1.8	39294	790	128	0.95	2.0	35116	706	128	1.05	2.3	30689	617	128	1.20	2.7	26611	535	128	1.40	3.0	23825	479	128	1.55	3.2	22582	454	128	1.60	3.5	20194	406	128	1.80	4.1	17608	354	128	2.10	4.8	15071	303	128	2.45	2.8	22984	512	54	0.80	3.3	19572	436	59	0.95	3.8	16968	378	62	1.10	4.3	15173	338	64	1.20	4.7	13826	308	66	1.30	5.1	12569	280	67	1.45	4.5	14365	320	48	0.90	5.1	12614	281	60	1.05	5.8	11133	248	62	1.20	6.9	9427	210	65	1.40	7.8	8305	185	66	1.60	8.9	7227	161	67	1.80																																																																																																																																																																																																																																																																																																												
668	75	4.34	1.8	1.85	757	66	3.83	1.7	2.10	221	238	6.52	1.6	4.80	244	216	5.91	1.6	6.25	217	236	6.63	10	1.90	257	200	5.61	9.5	2.20	277	185	5.19	9.3	3.70	310	165	4.65	9.0	4.10	249	206	5.79	8.0	1.95	293	175	4.91	7.6	2.20	319	161	4.52	7.4	3.60	356	144	4.04	7.2	4.00	396	129	3.64	7.0	4.40	436	117	3.30	6.8	4.90	493	104	2.92	6.5	5.50	545	94	2.64	6.4	6.10	643	80	2.24	6.0	7.20	4.1	17380	347	128	2.10	4.6	15778	315	128	2.30	5.2	13974	279	128	2.60	5.7	12722	254	128	2.85	1.8	39294	790	128	0.95	2.0	35116	706	128	1.05	2.3	30689	617	128	1.20	2.7	26611	535	128	1.40	3.0	23825	479	128	1.55	3.2	22582	454	128	1.60	3.5	20194	406	128	1.80	4.1	17608	354	128	2.10	4.8	15071	303	128	2.45	2.8	22984	512	54	0.80	3.3	19572	436	59	0.95	3.8	16968	378	62	1.10	4.3	15173	338	64	1.20	4.7	13826	308	66	1.30	5.1	12569	280	67	1.45	4.5	14365	320	48	0.90	5.1	12614	281	60	1.05	5.8	11133	248	62	1.20	6.9	9427	210	65	1.40	7.8	8305	185	66	1.60	8.9	7227	161	67	1.80																																																																																																																																																																																																																																																																																																																			
757	66	3.83	1.7	2.10	221	238	6.52	1.6	4.80	244	216	5.91	1.6	6.25	217	236	6.63	10	1.90	257	200	5.61	9.5	2.20	277	185	5.19	9.3	3.70	310	165	4.65	9.0	4.10	249	206	5.79	8.0	1.95	293	175	4.91	7.6	2.20	319	161	4.52	7.4	3.60	356	144	4.04	7.2	4.00	396	129	3.64	7.0	4.40	436	117	3.30	6.8	4.90	493	104	2.92	6.5	5.50	545	94	2.64	6.4	6.10	643	80	2.24	6.0	7.20	4.1	17380	347	128	2.10	4.6	15778	315	128	2.30	5.2	13974	279	128	2.60	5.7	12722	254	128	2.85	1.8	39294	790	128	0.95	2.0	35116	706	128	1.05	2.3	30689	617	128	1.20	2.7	26611	535	128	1.40	3.0	23825	479	128	1.55	3.2	22582	454	128	1.60	3.5	20194	406	128	1.80	4.1	17608	354	128	2.10	4.8	15071	303	128	2.45	2.8	22984	512	54	0.80	3.3	19572	436	59	0.95	3.8	16968	378	62	1.10	4.3	15173	338	64	1.20	4.7	13826	308	66	1.30	5.1	12569	280	67	1.45	4.5	14365	320	48	0.90	5.1	12614	281	60	1.05	5.8	11133	248	62	1.20	6.9	9427	210	65	1.40	7.8	8305	185	66	1.60	8.9	7227	161	67	1.80																																																																																																																																																																																																																																																																																																																								
221	238	6.52	1.6	4.80	244	216	5.91	1.6	6.25	217	236	6.63	10	1.90	257	200	5.61	9.5	2.20	277	185	5.19	9.3	3.70	310	165	4.65	9.0	4.10	249	206	5.79	8.0	1.95	293	175	4.91	7.6	2.20	319	161	4.52	7.4	3.60	356	144	4.04	7.2	4.00	396	129	3.64	7.0	4.40	436	117	3.30	6.8	4.90	493	104	2.92	6.5	5.50	545	94	2.64	6.4	6.10	643	80	2.24	6.0	7.20	4.1	17380	347	128	2.10	4.6	15778	315	128	2.30	5.2	13974	279	128	2.60	5.7	12722	254	128	2.85	1.8	39294	790	128	0.95	2.0	35116	706	128	1.05	2.3	30689	617	128	1.20	2.7	26611	535	128	1.40	3.0	23825	479	128	1.55	3.2	22582	454	128	1.60	3.5	20194	406	128	1.80	4.1	17608	354	128	2.10	4.8	15071	303	128	2.45	2.8	22984	512	54	0.80	3.3	19572	436	59	0.95	3.8	16968	378	62	1.10	4.3	15173	338	64	1.20	4.7	13826	308	66	1.30	5.1	12569	280	67	1.45	4.5	14365	320	48	0.90	5.1	12614	281	60	1.05	5.8	11133	248	62	1.20	6.9	9427	210	65	1.40	7.8	8305	185	66	1.60	8.9	7227	161	67	1.80																																																																																																																																																																																																																																																																																																																													
244	216	5.91	1.6	6.25	217	236	6.63	10	1.90	257	200	5.61	9.5	2.20	277	185	5.19	9.3	3.70	310	165	4.65	9.0	4.10	249	206	5.79	8.0	1.95	293	175	4.91	7.6	2.20	319	161	4.52	7.4	3.60	356	144	4.04	7.2	4.00	396	129	3.64	7.0	4.40	436	117	3.30	6.8	4.90	493	104	2.92	6.5	5.50	545	94	2.64	6.4	6.10	643	80	2.24	6.0	7.20	4.1	17380	347	128	2.10	4.6	15778	315	128	2.30	5.2	13974	279	128	2.60	5.7	12722	254	128	2.85	1.8	39294	790	128	0.95	2.0	35116	706	128	1.05	2.3	30689	617	128	1.20	2.7	26611	535	128	1.40	3.0	23825	479	128	1.55	3.2	22582	454	128	1.60	3.5	20194	406	128	1.80	4.1	17608	354	128	2.10	4.8	15071	303	128	2.45	2.8	22984	512	54	0.80	3.3	19572	436	59	0.95	3.8	16968	378	62	1.10	4.3	15173	338	64	1.20	4.7	13826	308	66	1.30	5.1	12569	280	67	1.45	4.5	14365	320	48	0.90	5.1	12614	281	60	1.05	5.8	11133	248	62	1.20	6.9	9427	210	65	1.40	7.8	8305	185	66	1.60	8.9	7227	161	67	1.80																																																																																																																																																																																																																																																																																																																																		
217	236	6.63	10	1.90	257	200	5.61	9.5	2.20	277	185	5.19	9.3	3.70	310	165	4.65	9.0	4.10	249	206	5.79	8.0	1.95	293	175	4.91	7.6	2.20	319	161	4.52	7.4	3.60	356	144	4.04	7.2	4.00	396	129	3.64	7.0	4.40	436	117	3.30	6.8	4.90	493	104	2.92	6.5	5.50	545	94	2.64	6.4	6.10	643	80	2.24	6.0	7.20	4.1	17380	347	128	2.10	4.6	15778	315	128	2.30	5.2	13974	279	128	2.60	5.7	12722	254	128	2.85	1.8	39294	790	128	0.95	2.0	35116	706	128	1.05	2.3	30689	617	128	1.20	2.7	26611	535	128	1.40	3.0	23825	479	128	1.55	3.2	22582	454	128	1.60	3.5	20194	406	128	1.80	4.1	17608	354	128	2.10	4.8	15071	303	128	2.45	2.8	22984	512	54	0.80	3.3	19572	436	59	0.95	3.8	16968	378	62	1.10	4.3	15173	338	64	1.20	4.7	13826	308	66	1.30	5.1	12569	280	67	1.45	4.5	14365	320	48	0.90	5.1	12614	281	60	1.05	5.8	11133	248	62	1.20	6.9	9427	210	65	1.40	7.8	8305	185	66	1.60	8.9	7227	161	67	1.80																																																																																																																																																																																																																																																																																																																																							
257	200	5.61	9.5	2.20	277	185	5.19	9.3	3.70	310	165	4.65	9.0	4.10	249	206	5.79	8.0	1.95	293	175	4.91	7.6	2.20	319	161	4.52	7.4	3.60	356	144	4.04	7.2	4.00	396	129	3.64	7.0	4.40	436	117	3.30	6.8	4.90	493	104	2.92	6.5	5.50	545	94	2.64	6.4	6.10	643	80	2.24	6.0	7.20	4.1	17380	347	128	2.10	4.6	15778	315	128	2.30	5.2	13974	279	128	2.60	5.7	12722	254	128	2.85	1.8	39294	790	128	0.95	2.0	35116	706	128	1.05	2.3	30689	617	128	1.20	2.7	26611	535	128	1.40	3.0	23825	479	128	1.55	3.2	22582	454	128	1.60	3.5	20194	406	128	1.80	4.1	17608	354	128	2.10	4.8	15071	303	128	2.45	2.8	22984	512	54	0.80	3.3	19572	436	59	0.95	3.8	16968	378	62	1.10	4.3	15173	338	64	1.20	4.7	13826	308	66	1.30	5.1	12569	280	67	1.45	4.5	14365	320	48	0.90	5.1	12614	281	60	1.05	5.8	11133	248	62	1.20	6.9	9427	210	65	1.40	7.8	8305	185	66	1.60	8.9	7227	161	67	1.80																																																																																																																																																																																																																																																																																																																																												
277	185	5.19	9.3	3.70	310	165	4.65	9.0	4.10	249	206	5.79	8.0	1.95	293	175	4.91	7.6	2.20	319	161	4.52	7.4	3.60	356	144	4.04	7.2	4.00	396	129	3.64	7.0	4.40	436	117	3.30	6.8	4.90	493	104	2.92	6.5	5.50	545	94	2.64	6.4	6.10	643	80	2.24	6.0	7.20	4.1	17380	347	128	2.10	4.6	15778	315	128	2.30	5.2	13974	279	128	2.60	5.7	12722	254	128	2.85	1.8	39294	790	128	0.95	2.0	35116	706	128	1.05	2.3	30689	617	128	1.20	2.7	26611	535	128	1.40	3.0	23825	479	128	1.55	3.2	22582	454	128	1.60	3.5	20194	406	128	1.80	4.1	17608	354	128	2.10	4.8	15071	303	128	2.45	2.8	22984	512	54	0.80	3.3	19572	436	59	0.95	3.8	16968	378	62	1.10	4.3	15173	338	64	1.20	4.7	13826	308	66	1.30	5.1	12569	280	67	1.45	4.5	14365	320	48	0.90	5.1	12614	281	60	1.05	5.8	11133	248	62	1.20	6.9	9427	210	65	1.40	7.8	8305	185	66	1.60	8.9	7227	161	67	1.80																																																																																																																																																																																																																																																																																																																																																	
310	165	4.65	9.0	4.10	249	206	5.79	8.0	1.95	293	175	4.91	7.6	2.20	319	161	4.52	7.4	3.60	356	144	4.04	7.2	4.00	396	129	3.64	7.0	4.40	436	117	3.30	6.8	4.90	493	104	2.92	6.5	5.50	545	94	2.64	6.4	6.10	643	80	2.24	6.0	7.20	4.1	17380	347	128	2.10	4.6	15778	315	128	2.30	5.2	13974	279	128	2.60	5.7	12722	254	128	2.85	1.8	39294	790	128	0.95	2.0	35116	706	128	1.05	2.3	30689	617	128	1.20	2.7	26611	535	128	1.40	3.0	23825	479	128	1.55	3.2	22582	454	128	1.60	3.5	20194	406	128	1.80	4.1	17608	354	128	2.10	4.8	15071	303	128	2.45	2.8	22984	512	54	0.80	3.3	19572	436	59	0.95	3.8	16968	378	62	1.10	4.3	15173	338	64	1.20	4.7	13826	308	66	1.30	5.1	12569	280	67	1.45	4.5	14365	320	48	0.90	5.1	12614	281	60	1.05	5.8	11133	248	62	1.20	6.9	9427	210	65	1.40	7.8	8305	185	66	1.60	8.9	7227	161	67	1.80																																																																																																																																																																																																																																																																																																																																																						
249	206	5.79	8.0	1.95	293	175	4.91	7.6	2.20	319	161	4.52	7.4	3.60	356	144	4.04	7.2	4.00	396	129	3.64	7.0	4.40	436	117	3.30	6.8	4.90	493	104	2.92	6.5	5.50	545	94	2.64	6.4	6.10	643	80	2.24	6.0	7.20	4.1	17380	347	128	2.10	4.6	15778	315	128	2.30	5.2	13974	279	128	2.60	5.7	12722	254	128	2.85	1.8	39294	790	128	0.95	2.0	35116	706	128	1.05	2.3	30689	617	128	1.20	2.7	26611	535	128	1.40	3.0	23825	479	128	1.55	3.2	22582	454	128	1.60	3.5	20194	406	128	1.80	4.1	17608	354	128	2.10	4.8	15071	303	128	2.45	2.8	22984	512	54	0.80	3.3	19572	436	59	0.95	3.8	16968	378	62	1.10	4.3	15173	338	64	1.20	4.7	13826	308	66	1.30	5.1	12569	280	67	1.45	4.5	14365	320	48	0.90	5.1	12614	281	60	1.05	5.8	11133	248	62	1.20	6.9	9427	210	65	1.40	7.8	8305	185	66	1.60	8.9	7227	161	67	1.80																																																																																																																																																																																																																																																																																																																																																											
293	175	4.91	7.6	2.20	319	161	4.52	7.4	3.60	356	144	4.04	7.2	4.00	396	129	3.64	7.0	4.40	436	117	3.30	6.8	4.90	493	104	2.92	6.5	5.50	545	94	2.64	6.4	6.10	643	80	2.24	6.0	7.20	4.1	17380	347	128	2.10	4.6	15778	315	128	2.30	5.2	13974	279	128	2.60	5.7	12722	254	128	2.85	1.8	39294	790	128	0.95	2.0	35116	706	128	1.05	2.3	30689	617	128	1.20	2.7	26611	535	128	1.40	3.0	23825	479	128	1.55	3.2	22582	454	128	1.60	3.5	20194	406	128	1.80	4.1	17608	354	128	2.10	4.8	15071	303	128	2.45	2.8	22984	512	54	0.80	3.3	19572	436	59	0.95	3.8	16968	378	62	1.10	4.3	15173	338	64	1.20	4.7	13826	308	66	1.30	5.1	12569	280	67	1.45	4.5	14365	320	48	0.90	5.1	12614	281	60	1.05	5.8	11133	248	62	1.20	6.9	9427	210	65	1.40	7.8	8305	185	66	1.60	8.9	7227	161	67	1.80																																																																																																																																																																																																																																																																																																																																																																
319	161	4.52	7.4	3.60	356	144	4.04	7.2	4.00	396	129	3.64	7.0	4.40	436	117	3.30	6.8	4.90	493	104	2.92	6.5	5.50	545	94	2.64	6.4	6.10	643	80	2.24	6.0	7.20	4.1	17380	347	128	2.10	4.6	15778	315	128	2.30	5.2	13974	279	128	2.60	5.7	12722	254	128	2.85	1.8	39294	790	128	0.95	2.0	35116	706	128	1.05	2.3	30689	617	128	1.20	2.7	26611	535	128	1.40	3.0	23825	479	128	1.55	3.2	22582	454	128	1.60	3.5	20194	406	128	1.80	4.1	17608	354	128	2.10	4.8	15071	303	128	2.45	2.8	22984	512	54	0.80	3.3	19572	436	59	0.95	3.8	16968	378	62	1.10	4.3	15173	338	64	1.20	4.7	13826	308	66	1.30	5.1	12569	280	67	1.45	4.5	14365	320	48	0.90	5.1	12614	281	60	1.05	5.8	11133	248	62	1.20	6.9	9427	210	65	1.40	7.8	8305	185	66	1.60	8.9	7227	161	67	1.80																																																																																																																																																																																																																																																																																																																																																																					
356	144	4.04	7.2	4.00	396	129	3.64	7.0	4.40	436	117	3.30	6.8	4.90	493	104	2.92	6.5	5.50	545	94	2.64	6.4	6.10	643	80	2.24	6.0	7.20	4.1	17380	347	128	2.10	4.6	15778	315	128	2.30	5.2	13974	279	128	2.60	5.7	12722	254	128	2.85	1.8	39294	790	128	0.95	2.0	35116	706	128	1.05	2.3	30689	617	128	1.20	2.7	26611	535	128	1.40	3.0	23825	479	128	1.55	3.2	22582	454	128	1.60	3.5	20194	406	128	1.80	4.1	17608	354	128	2.10	4.8	15071	303	128	2.45	2.8	22984	512	54	0.80	3.3	19572	436	59	0.95	3.8	16968	378	62	1.10	4.3	15173	338	64	1.20	4.7	13826	308	66	1.30	5.1	12569	280	67	1.45	4.5	14365	320	48	0.90	5.1	12614	281	60	1.05	5.8	11133	248	62	1.20	6.9	9427	210	65	1.40	7.8	8305	185	66	1.60	8.9	7227	161	67	1.80																																																																																																																																																																																																																																																																																																																																																																										
396	129	3.64	7.0	4.40	436	117	3.30	6.8	4.90	493	104	2.92	6.5	5.50	545	94	2.64	6.4	6.10	643	80	2.24	6.0	7.20	4.1	17380	347	128	2.10	4.6	15778	315	128	2.30	5.2	13974	279	128	2.60	5.7	12722	254	128	2.85	1.8	39294	790	128	0.95	2.0	35116	706	128	1.05	2.3	30689	617	128	1.20	2.7	26611	535	128	1.40	3.0	23825	479	128	1.55	3.2	22582	454	128	1.60	3.5	20194	406	128	1.80	4.1	17608	354	128	2.10	4.8	15071	303	128	2.45	2.8	22984	512	54	0.80	3.3	19572	436	59	0.95	3.8	16968	378	62	1.10	4.3	15173	338	64	1.20	4.7	13826	308	66	1.30	5.1	12569	280	67	1.45	4.5	14365	320	48	0.90	5.1	12614	281	60	1.05	5.8	11133	248	62	1.20	6.9	9427	210	65	1.40	7.8	8305	185	66	1.60	8.9	7227	161	67	1.80																																																																																																																																																																																																																																																																																																																																																																															
436	117	3.30	6.8	4.90	493	104	2.92	6.5	5.50	545	94	2.64	6.4	6.10	643	80	2.24	6.0	7.20	4.1	17380	347	128	2.10	4.6	15778	315	128	2.30	5.2	13974	279	128	2.60	5.7	12722	254	128	2.85	1.8	39294	790	128	0.95	2.0	35116	706	128	1.05	2.3	30689	617	128	1.20	2.7	26611	535	128	1.40	3.0	23825	479	128	1.55	3.2	22582	454	128	1.60	3.5	20194	406	128	1.80	4.1	17608	354	128	2.10	4.8	15071	303	128	2.45	2.8	22984	512	54	0.80	3.3	19572	436	59	0.95	3.8	16968	378	62	1.10	4.3	15173	338	64	1.20	4.7	13826	308	66	1.30	5.1	12569	280	67	1.45	4.5	14365	320	48	0.90	5.1	12614	281	60	1.05	5.8	11133	248	62	1.20	6.9	9427	210	65	1.40	7.8	8305	185	66	1.60	8.9	7227	161	67	1.80																																																																																																																																																																																																																																																																																																																																																																																				
493	104	2.92	6.5	5.50	545	94	2.64	6.4	6.10	643	80	2.24	6.0	7.20	4.1	17380	347	128	2.10	4.6	15778	315	128	2.30	5.2	13974	279	128	2.60	5.7	12722	254	128	2.85	1.8	39294	790	128	0.95	2.0	35116	706	128	1.05	2.3	30689	617	128	1.20	2.7	26611	535	128	1.40	3.0	23825	479	128	1.55	3.2	22582	454	128	1.60	3.5	20194	406	128	1.80	4.1	17608	354	128	2.10	4.8	15071	303	128	2.45	2.8	22984	512	54	0.80	3.3	19572	436	59	0.95	3.8	16968	378	62	1.10	4.3	15173	338	64	1.20	4.7	13826	308	66	1.30	5.1	12569	280	67	1.45	4.5	14365	320	48	0.90	5.1	12614	281	60	1.05	5.8	11133	248	62	1.20	6.9	9427	210	65	1.40	7.8	8305	185	66	1.60	8.9	7227	161	67	1.80																																																																																																																																																																																																																																																																																																																																																																																									
545	94	2.64	6.4	6.10	643	80	2.24	6.0	7.20	4.1	17380	347	128	2.10	4.6	15778	315	128	2.30	5.2	13974	279	128	2.60	5.7	12722	254	128	2.85	1.8	39294	790	128	0.95	2.0	35116	706	128	1.05	2.3	30689	617	128	1.20	2.7	26611	535	128	1.40	3.0	23825	479	128	1.55	3.2	22582	454	128	1.60	3.5	20194	406	128	1.80	4.1	17608	354	128	2.10	4.8	15071	303	128	2.45	2.8	22984	512	54	0.80	3.3	19572	436	59	0.95	3.8	16968	378	62	1.10	4.3	15173	338	64	1.20	4.7	13826	308	66	1.30	5.1	12569	280	67	1.45	4.5	14365	320	48	0.90	5.1	12614	281	60	1.05	5.8	11133	248	62	1.20	6.9	9427	210	65	1.40	7.8	8305	185	66	1.60	8.9	7227	161	67	1.80																																																																																																																																																																																																																																																																																																																																																																																														
643	80	2.24	6.0	7.20	4.1	17380	347	128	2.10	4.6	15778	315	128	2.30	5.2	13974	279	128	2.60	5.7	12722	254	128	2.85	1.8	39294	790	128	0.95	2.0	35116	706	128	1.05	2.3	30689	617	128	1.20	2.7	26611	535	128	1.40	3.0	23825	479	128	1.55	3.2	22582	454	128	1.60	3.5	20194	406	128	1.80	4.1	17608	354	128	2.10	4.8	15071	303	128	2.45	2.8	22984	512	54	0.80	3.3	19572	436	59	0.95	3.8	16968	378	62	1.10	4.3	15173	338	64	1.20	4.7	13826	308	66	1.30	5.1	12569	280	67	1.45	4.5	14365	320	48	0.90	5.1	12614	281	60	1.05	5.8	11133	248	62	1.20	6.9	9427	210	65	1.40	7.8	8305	185	66	1.60	8.9	7227	161	67	1.80																																																																																																																																																																																																																																																																																																																																																																																																			
4.1	17380	347	128	2.10	4.6	15778	315	128	2.30	5.2	13974	279	128	2.60	5.7	12722	254	128	2.85	1.8	39294	790	128	0.95	2.0	35116	706	128	1.05	2.3	30689	617	128	1.20	2.7	26611	535	128	1.40	3.0	23825	479	128	1.55	3.2	22582	454	128	1.60	3.5	20194	406	128	1.80	4.1	17608	354	128	2.10	4.8	15071	303	128	2.45	2.8	22984	512	54	0.80	3.3	19572	436	59	0.95	3.8	16968	378	62	1.10	4.3	15173	338	64	1.20	4.7	13826	308	66	1.30	5.1	12569	280	67	1.45	4.5	14365	320	48	0.90	5.1	12614	281	60	1.05	5.8	11133	248	62	1.20	6.9	9427	210	65	1.40	7.8	8305	185	66	1.60	8.9	7227	161	67	1.80																																																																																																																																																																																																																																																																																																																																																																																																								
4.6	15778	315	128	2.30	5.2	13974	279	128	2.60	5.7	12722	254	128	2.85	1.8	39294	790	128	0.95	2.0	35116	706	128	1.05	2.3	30689	617	128	1.20	2.7	26611	535	128	1.40	3.0	23825	479	128	1.55	3.2	22582	454	128	1.60	3.5	20194	406	128	1.80	4.1	17608	354	128	2.10	4.8	15071	303	128	2.45	2.8	22984	512	54	0.80	3.3	19572	436	59	0.95	3.8	16968	378	62	1.10	4.3	15173	338	64	1.20	4.7	13826	308	66	1.30	5.1	12569	280	67	1.45	4.5	14365	320	48	0.90	5.1	12614	281	60	1.05	5.8	11133	248	62	1.20	6.9	9427	210	65	1.40	7.8	8305	185	66	1.60	8.9	7227	161	67	1.80																																																																																																																																																																																																																																																																																																																																																																																																													
5.2	13974	279	128	2.60	5.7	12722	254	128	2.85	1.8	39294	790	128	0.95	2.0	35116	706	128	1.05	2.3	30689	617	128	1.20	2.7	26611	535	128	1.40	3.0	23825	479	128	1.55	3.2	22582	454	128	1.60	3.5	20194	406	128	1.80	4.1	17608	354	128	2.10	4.8	15071	303	128	2.45	2.8	22984	512	54	0.80	3.3	19572	436	59	0.95	3.8	16968	378	62	1.10	4.3	15173	338	64	1.20	4.7	13826	308	66	1.30	5.1	12569	280	67	1.45	4.5	14365	320	48	0.90	5.1	12614	281	60	1.05	5.8	11133	248	62	1.20	6.9	9427	210	65	1.40	7.8	8305	185	66	1.60	8.9	7227	161	67	1.80																																																																																																																																																																																																																																																																																																																																																																																																																		
5.7	12722	254	128	2.85	1.8	39294	790	128	0.95	2.0	35116	706	128	1.05	2.3	30689	617	128	1.20	2.7	26611	535	128	1.40	3.0	23825	479	128	1.55	3.2	22582	454	128	1.60	3.5	20194	406	128	1.80	4.1	17608	354	128	2.10	4.8	15071	303	128	2.45	2.8	22984	512	54	0.80	3.3	19572	436	59	0.95	3.8	16968	378	62	1.10	4.3	15173	338	64	1.20	4.7	13826	308	66	1.30	5.1	12569	280	67	1.45	4.5	14365	320	48	0.90	5.1	12614	281	60	1.05	5.8	11133	248	62	1.20	6.9	9427	210	65	1.40	7.8	8305	185	66	1.60	8.9	7227	161	67	1.80																																																																																																																																																																																																																																																																																																																																																																																																																							
1.8	39294	790	128	0.95	2.0	35116	706	128	1.05	2.3	30689	617	128	1.20	2.7	26611	535	128	1.40	3.0	23825	479	128	1.55	3.2	22582	454	128	1.60	3.5	20194	406	128	1.80	4.1	17608	354	128	2.10	4.8	15071	303	128	2.45	2.8	22984	512	54	0.80	3.3	19572	436	59	0.95	3.8	16968	378	62	1.10	4.3	15173	338	64	1.20	4.7	13826	308	66	1.30	5.1	12569	280	67	1.45	4.5	14365	320	48	0.90	5.1	12614	281	60	1.05	5.8	11133	248	62	1.20	6.9	9427	210	65	1.40	7.8	8305	185	66	1.60	8.9	7227	161	67	1.80																																																																																																																																																																																																																																																																																																																																																																																																																												
2.0	35116	706	128	1.05	2.3	30689	617	128	1.20	2.7	26611	535	128	1.40	3.0	23825	479	128	1.55	3.2	22582	454	128	1.60	3.5	20194	406	128	1.80	4.1	17608	354	128	2.10	4.8	15071	303	128	2.45	2.8	22984	512	54	0.80	3.3	19572	436	59	0.95	3.8	16968	378	62	1.10	4.3	15173	338	64	1.20	4.7	13826	308	66	1.30	5.1	12569	280	67	1.45	4.5	14365	320	48	0.90	5.1	12614	281	60	1.05	5.8	11133	248	62	1.20	6.9	9427	210	65	1.40	7.8	8305	185	66	1.60	8.9	7227	161	67	1.80																																																																																																																																																																																																																																																																																																																																																																																																																																	
2.3	30689	617	128	1.20	2.7	26611	535	128	1.40	3.0	23825	479	128	1.55	3.2	22582	454	128	1.60	3.5	20194	406	128	1.80	4.1	17608	354	128	2.10	4.8	15071	303	128	2.45	2.8	22984	512	54	0.80	3.3	19572	436	59	0.95	3.8	16968	378	62	1.10	4.3	15173	338	64	1.20	4.7	13826	308	66	1.30	5.1	12569	280	67	1.45	4.5	14365	320	48	0.90	5.1	12614	281	60	1.05	5.8	11133	248	62	1.20	6.9	9427	210	65	1.40	7.8	8305	185	66	1.60	8.9	7227	161	67	1.80																																																																																																																																																																																																																																																																																																																																																																																																																																						
2.7	26611	535	128	1.40	3.0	23825	479	128	1.55	3.2	22582	454	128	1.60	3.5	20194	406	128	1.80	4.1	17608	354	128	2.10	4.8	15071	303	128	2.45	2.8	22984	512	54	0.80	3.3	19572	436	59	0.95	3.8	16968	378	62	1.10	4.3	15173	338	64	1.20	4.7	13826	308	66	1.30	5.1	12569	280	67	1.45	4.5	14365	320	48	0.90	5.1	12614	281	60	1.05	5.8	11133	248	62	1.20	6.9	9427	210	65	1.40	7.8	8305	185	66	1.60	8.9	7227	161	67	1.80																																																																																																																																																																																																																																																																																																																																																																																																																																											
3.0	23825	479	128	1.55	3.2	22582	454	128	1.60	3.5	20194	406	128	1.80	4.1	17608	354	128	2.10	4.8	15071	303	128	2.45	2.8	22984	512	54	0.80	3.3	19572	436	59	0.95	3.8	16968	378	62	1.10	4.3	15173	338	64	1.20	4.7	13826	308	66	1.30	5.1	12569	280	67	1.45	4.5	14365	320	48	0.90	5.1	12614	281	60	1.05	5.8	11133	248	62	1.20	6.9	9427	210	65	1.40	7.8	8305	185	66	1.60	8.9	7227	161	67	1.80																																																																																																																																																																																																																																																																																																																																																																																																																																																
3.2	22582	454	128	1.60	3.5	20194	406	128	1.80	4.1	17608	354	128	2.10	4.8	15071	303	128	2.45	2.8	22984	512	54	0.80	3.3	19572	436	59	0.95	3.8	16968	378	62	1.10	4.3	15173	338	64	1.20	4.7	13826	308	66	1.30	5.1	12569	280	67	1.45	4.5	14365	320	48	0.90	5.1	12614	281	60	1.05	5.8	11133	248	62	1.20	6.9	9427	210	65	1.40	7.8	8305	185	66	1.60	8.9	7227	161	67	1.80																																																																																																																																																																																																																																																																																																																																																																																																																																																					
3.5	20194	406	128	1.80	4.1	17608	354	128	2.10	4.8	15071	303	128	2.45	2.8	22984	512	54	0.80	3.3	19572	436	59	0.95	3.8	16968	378	62	1.10	4.3	15173	338	64	1.20	4.7	13826	308	66	1.30	5.1	12569	280	67	1.45	4.5	14365	320	48	0.90	5.1	12614	281	60	1.05	5.8	11133	248	62	1.20	6.9	9427	210	65	1.40	7.8	8305	185	66	1.60	8.9	7227	161	67	1.80																																																																																																																																																																																																																																																																																																																																																																																																																																																										
4.1	17608	354	128	2.10	4.8	15071	303	128	2.45	2.8	22984	512	54	0.80	3.3	19572	436	59	0.95	3.8	16968	378	62	1.10	4.3	15173	338	64	1.20	4.7	13826	308	66	1.30	5.1	12569	280	67	1.45	4.5	14365	320	48	0.90	5.1	12614	281	60	1.05	5.8	11133	248	62	1.20	6.9	9427	210	65	1.40	7.8	8305	185	66	1.60	8.9	7227	161	67	1.80																																																																																																																																																																																																																																																																																																																																																																																																																																																															
4.8	15071	303	128	2.45	2.8	22984	512	54	0.80	3.3	19572	436	59	0.95	3.8	16968	378	62	1.10	4.3	15173	338	64	1.20	4.7	13826	308	66	1.30	5.1	12569	280	67	1.45	4.5	14365	320	48	0.90	5.1	12614	281	60	1.05	5.8	11133	248	62	1.20	6.9	9427	210	65	1.40	7.8	8305	185	66	1.60	8.9	7227	161	67	1.80																																																																																																																																																																																																																																																																																																																																																																																																																																																																				
2.8	22984	512	54	0.80	3.3	19572	436	59	0.95	3.8	16968	378	62	1.10	4.3	15173	338	64	1.20	4.7	13826	308	66	1.30	5.1	12569	280	67	1.45	4.5	14365	320	48	0.90	5.1	12614	281	60	1.05	5.8	11133	248	62	1.20	6.9	9427	210	65	1.40	7.8	8305	185	66	1.60	8.9	7227	161	67	1.80																																																																																																																																																																																																																																																																																																																																																																																																																																																																									
3.3	19572	436	59	0.95	3.8	16968	378	62	1.10	4.3	15173	338	64	1.20	4.7	13826	308	66	1.30	5.1	12569	280	67	1.45	4.5	14365	320	48	0.90	5.1	12614	281	60	1.05	5.8	11133	248	62	1.20	6.9	9427	210	65	1.40	7.8	8305	185	66	1.60	8.9	7227	161	67	1.80																																																																																																																																																																																																																																																																																																																																																																																																																																																																														
3.8	16968	378	62	1.10	4.3	15173	338	64	1.20	4.7	13826	308	66	1.30	5.1	12569	280	67	1.45	4.5	14365	320	48	0.90	5.1	12614	281	60	1.05	5.8	11133	248	62	1.20	6.9	9427	210	65	1.40	7.8	8305	185	66	1.60	8.9	7227	161	67	1.80																																																																																																																																																																																																																																																																																																																																																																																																																																																																																			
4.3	15173	338	64	1.20	4.7	13826	308	66	1.30	5.1	12569	280	67	1.45	4.5	14365	320	48	0.90	5.1	12614	281	60	1.05	5.8	11133	248	62	1.20	6.9	9427	210	65	1.40	7.8	8305	185	66	1.60	8.9	7227	161	67	1.80																																																																																																																																																																																																																																																																																																																																																																																																																																																																																								
4.7	13826	308	66	1.30	5.1	12569	280	67	1.45	4.5	14365	320	48	0.90	5.1	12614	281	60	1.05	5.8	11133	248	62	1.20	6.9	9427	210	65	1.40	7.8	8305	185	66	1.60	8.9	7227	161	67	1.80																																																																																																																																																																																																																																																																																																																																																																																																																																																																																													
5.1	12569	280	67	1.45	4.5	14365	320	48	0.90	5.1	12614	281	60	1.05	5.8	11133	248	62	1.20	6.9	9427	210	65	1.40	7.8	8305	185	66	1.60	8.9	7227	161	67	1.80																																																																																																																																																																																																																																																																																																																																																																																																																																																																																																		
4.5	14365	320	48	0.90	5.1	12614	281	60	1.05	5.8	11133	248	62	1.20	6.9	9427	210	65	1.40	7.8	8305	185	66	1.60	8.9	7227	161	67	1.80																																																																																																																																																																																																																																																																																																																																																																																																																																																																																																							
5.1	12614	281	60	1.05	5.8	11133	248	62	1.20	6.9	9427	210	65	1.40	7.8	8305	185	66	1.60	8.9	7227	161	67	1.80																																																																																																																																																																																																																																																																																																																																																																																																																																																																																																												
5.8	11133	248	62	1.20	6.9	9427	210	65	1.40	7.8	8305	185	66	1.60	8.9	7227	161	67	1.80																																																																																																																																																																																																																																																																																																																																																																																																																																																																																																																	
6.9	9427	210	65	1.40	7.8	8305	185	66	1.60	8.9	7227	161	67	1.80																																																																																																																																																																																																																																																																																																																																																																																																																																																																																																																						
7.8	8305	185	66	1.60	8.9	7227	161	67	1.80																																																																																																																																																																																																																																																																																																																																																																																																																																																																																																																											
8.9	7227	161	67	1.80																																																																																																																																																																																																																																																																																																																																																																																																																																																																																																																																

选型参数表
(恒功率)

Selection Table
(Constant Power)

n_a [r/min]	M_a [Nm]	i	F_{ra} [kN]	f_B	机型号 Type size	极数 Pole	n_a [r/min]	M_a [Nm]	i	F_{ra} [kN]	f_B	机型号 Type size	极数 Pole	
7.5kW							7.5kW							
3.6	19046	201.53	128	1.85			34	2021	42.78	20	1.40			
3.9	17326	183.34	128	2.00	GR177	8P	39	1754	37.13	20	1.60	GR97	4P	
4.4	15554	164.59	128	2.25	GRF177		43	1571	33.25	19	1.75	GRF97		
5.0	13691	144.87	128	2.55			52	1303	27.58	18	1.95			
5.7	12027	127.26	128	2.85			45	1514	32.05	19	1.60			
3.1	21877	231.49	114	0.80			53	1285	27.19	18	1.90			
3.8	17687	187.15	114	0.95	GR167	8P	58	1183	25.03	18	2.30			
4.7	14333	151.66	114	1.20	GRF167		64	1057	22.37	17	2.40	GR97	4P	
5.1	13250	140.20	114	1.30			71	952	20.14	17	2.60	GRF97		
5.9	11588	122.62	114	1.50			79	862	18.24	17	2.70			
4.2	16239	231.49	114	1.05			89	764	16.17	17	3.00			
5.2	13128	187.15	114	1.30			98	691	14.62	17	3.40			
6.4	10639	151.66	114	1.60			39	1748	37.00	11	0.85	GR87	4P	
6.9	9835	140.20	114	1.70			44	1550	32.80	15	0.95	GRF87		
7.9	8602	122.62	114	2.00	GR167	6P	51	1323	28.00	14	1.05			
9.2	7356	104.87	114	2.20	GRF167		52	1321	27.96	14	1.10			
10	6536	93.17	114	2.60				61	1111	23.51	14	1.30		
12	5842	83.28	114	2.90				67	1021	21.60	14	1.40		
13	5143	73.31	114	3.30			75	906	19.18	13	1.50			
14	4755	67.78	114	3.60			84	810	17.15	13	1.65			
4.4	15453	163.51	31	0.80			93	729	15.42	12	1.75			
4.9	13868	146.74	52	0.90	GR147	8P	108	632	13.38	12	1.90	GR87	4P	
6.0	11267	119.22	61	1.10	GRF147		120	566	11.98	12	2.10	GRF87		
6.6	10272	108.69	63	1.20				145	470	9.94	11	2.40		
5.9	11470	163.51	61	1.05				158	432	9.14	11	2.60		
6.6	10294	146.74	63	1.20			175	388	8.22	11	2.80			
8.1	8363	119.22	66	1.45	GR147	6P	202	337	7.13	11	3.00			
8.9	7624	108.69	67	1.60	GRF147		225	302	6.39	10	3.20			
10	6648	94.77	68	1.85				272	250	5.30	10	3.40		
12	5848	83.37	68	2.10				77	888	18.80	5.0	0.85		
7.6	8919	188.75	43	0.85			81	842	17.82	5.4	0.85			
8.2	8254	174.68	48	0.90			92	737	15.60	6.3	0.95			
9.2	7398	156.56	51	1.00			102	664	14.05	6.8	1.00			
10	6679	141.35	52	1.15			117	583	12.33	7.4	1.10			
11	6066	128.38	54	1.25			132	514	10.88	7.6	1.20	GR77	4P	
13	5382	113.90	55	1.40	GR137	4P	149	456	9.64	7.4	1.30	GRF77		
14	4884	103.36	55	1.55	GRF137		168	406	8.59	7.2	1.45			
16	4198	88.85	56	1.80				186	366	7.74	7.2	1.55		
18	3845	81.38	57	1.95				212	321	6.79	7.0	1.70		
19	3492	73.91	57	2.20			240	283	5.99	6.8	1.80			
22	3099	65.58	57	2.50			271	251	5.31	6.5	1.90			
24	2812	59.51	57	2.70			113	600	12.70	4.0	0.80			
28	2417	51.15	58	3.10			125	545	11.54	4.6	0.85			
32	2110	44.65	57	3.50			144	473	10.00	5.3	0.95			
16	4380	92.70	26	0.95			166	411	8.70	5.6	1.00			
18	3713	78.57	30	1.10			185	368	7.79	5.2	0.95	GR67	4P	
20	3444	72.88	30	1.20			196	348	7.36	5.4	1.00	GRF67		
22	3100	65.60	29	1.30			230	296	6.27	5.3	1.05			
24	2807	59.41	29	1.45	GR107	4P	253	269	5.70	5.2	1.10			
27	2489	52.68	28	1.65	GRF107		292	233	4.93	5.0	1.15			
30	2251	47.63	27	1.80				336	203	4.29	4.9	1.25		
36	1908	40.37	26	2.10				181	377	7.97	0.9	0.90		
41	1666	35.26	25	2.40			191	356	7.53	1.2	0.95			
49	1393	29.49	24	2.90			225	303	6.41	1.9	1.05	GR57	4P	
47	1454	30.77	24	2.80			247	275	5.82	2.3	1.10	GRF57		
52	1303	27.58	23	3.10	GR107	4P	285	239	5.05	2.6	1.20			
58	1177	24.90	23	3.50	GRF107		328	207	4.39	2.6	1.25			
64	1069	22.62	22	3.80				196	347	14.77	2.5	1.20		
24	2831	59.92	19	1.00	GR97		4P	208	327	13.95	2.6	1.25	GR57	2P
27	2514	53.21	21	1.15	GRF97	244		279	11.88	2.6	1.40	GRF57		
30	2248	47.58	21	1.25				269	253	10.79	2.6	1.45		

选型参数表
(恒功率)

Selection Table
(Constant Power)

n_a [r/min]	M_a [Nm]	i	F_{ra} [kN]	f_B	机型号 Type size	极数 Pole	n_a [r/min]	M_a [Nm]	i	F_{ra} [kN]	f_B	机型号 Type size	极数 Pole																																																																																																																																																																																																																																																																																																																																																																																																																																																																																																																																																						
7.5kW							11.0kW																																																																																																																																																																																																																																																																																																																																																																																																																																																																																																																																																												
310	219	9.35	2.6	1.60	GR57 GRF57	2P	4.9	19481	300	114	0.90	GR167R107 GRF167R107	4P																																																																																																																																																																																																																																																																																																																																																																																																																																																																																																																																																						
364	187	7.97	2.5	1.80			385	177	7.53	2.5	1.90			452	150	6.41	2.4	2.10	498	137	5.82	2.4	2.20	574	118	5.05	2.3	2.50	661	103	4.39	2.3	2.60	221	324	6.52	16	3.55	GRX137	4P	5.0	18897	291	114	0.95	GR167R107 GRF167R107	4P	244	294	5.91	16	4.60	GRXF137	217	322	6.63	10	1.40	GRX107 GRXF107	4P	4.3	21949	338	114	0.80	GR167R97	4P	257	272	5.61	9.2	1.60	277	252	5.19	9.0	2.70	310	226	4.65	8.7	3.00	343	204	4.20	8.5	3.90	249	281	5.79	7.7	1.45	GRX97 GRXF97	4P	4.7	20001	308	114	0.90	GRF167R97	293	238	4.91	7.4	1.60	319	219	4.52	7.2	2.60	356	196	4.04	7.0	2.90	396	177	3.64	6.8	3.30	436	160	3.30	6.6	3.60	493	142	2.92	6.4	4.10	320	218	4.50	5.5	1.30	GRX87 GRXF87	4P	5.9	16104	248	25	0.80	GR147R87 GRF147R87	4P	381	183	3.78	5.3	1.60	414	169	3.48	5.1	2.30	466	150	3.09	5.0	2.60	522	134	2.76	4.9	2.90	581	120	2.48	4.7	3.30	670	104	2.15	4.5	3.60	746	94	1.93	4.4	3.70	900	78	1.60	4.2	3.90	1036	67	1.39	4.0	4.20	443	158	3.25	3.6	1.10	GRX77 GRXF77	4P	7.0	13637	210	55	0.95	GR177 GRF177	8P	468	149	3.08	3.7	1.25	533	131	2.70	3.6	1.60	593	118	2.43	3.5	1.75	676	103	2.13	3.4	1.85	766	91	1.88	3.3	2.00	862	81	1.67	3.2	2.10	1014	69	1.42	3.1	2.20	567	123	2.54	1.4	0.95	GRX67 GRXF67	4P	7.9	12013	185	60	1.10	GR177 GRF177	6P	600	116	2.40	1.5	1.00	706	99	2.04	1.7	1.30	774	90	1.86	1.8	1.35	894	78	1.61	2.0	1.40	1029	68	1.40	2.0	1.50	5.2	19255	187.15	114	0.90	GR167 GRF167	6P	4.8	20734	201.53	128	1.70	GR177 GRF177	4P	6.4	15603	151.66	114	1.05	6.9	14424	140.20	114	1.20	7.9	12616	122.62	114	1.35	6.3	15823	231.49	114	1.05	7.8	12793	187.15	114	1.30	9.6	10367	151.66	114	1.60	10	9583	140.20	114	1.75	12	8382	122.62	114	2.00	14	7168	104.87	114	2.30	16	6369	93.17	114	2.70	18	5693	83.28	114	3.00	6.6	15097	146.74	34	0.80	GR167 GRF167	4P	8.0	12532	183.34	128	2.80	GR177 GRF177	4P	8.1	12266	119.22	59	1.00	8.9	11182	108.69	61	1.10	10	9750	94.77	64	1.25	12	8577	83.37	66	1.40	8.9	11177	163.51	61	1.10	9.9	10030	146.74	63	1.20	12	8149	119.22	65	1.50	13	7429	108.69	66	1.65	15	6478	94.77	67	1.90	18	5699	83.37	68	2.10	21	4844	70.87	69	2.50	22	4566	66.80	69	2.70	24	4163	60.90	70	2.90	28	3629	53.09	70	3.40	10	9662	141.35	22	0.80	GR147 GRF147	6P	11	8775	128.38	45	0.85	GR137 GRF137	4P	11	8775	128.38	45	0.85	13	7786	113.90	50	0.95	14	7065	103.36	52	1.05	16	6073	88.85	53	1.25	10	9662	141.35	22	0.80																																																																														
385	177	7.53	2.5	1.90			452	150	6.41	2.4	2.10			498	137	5.82	2.4	2.20	574	118	5.05	2.3	2.50	661	103	4.39	2.3	2.60	221	324	6.52	16	3.55	GRX137	4P	5.0	18897	291	114		0.95	GR167R107 GRF167R107	4P	244	294	5.91		16	4.60	GRXF137	217	322	6.63	10	1.40	GRX107 GRXF107	4P	4.3			21949	338	114	0.80	GR167R97	4P		257	272	5.61	9.2	1.60	277	252	5.19	9.0	2.70	310	226	4.65	8.7	3.00	343	204	4.20	8.5	3.90	249	281	5.79	7.7	1.45			GRX97 GRXF97	4P	4.7	20001	308	114	0.90	GRF167R97	293	238	4.91	7.4	1.60	319	219	4.52	7.2	2.60	356	196	4.04	7.0	2.90	396	177	3.64	6.8	3.30	436	160	3.30	6.6	3.60	493	142	2.92	6.4	4.10	320	218	4.50			5.5	1.30	GRX87 GRXF87	4P	5.9			16104	248	25	0.80	GR147R87 GRF147R87	4P	381	183	3.78	5.3	1.60	414	169	3.48	5.1	2.30	466	150	3.09	5.0	2.60	522	134	2.76	4.9	2.90	581	120	2.48	4.7	3.30	670	104	2.15	4.5	3.60	746	94	1.93	4.4	3.70	900	78	1.60	4.2	3.90	1036	67	1.39	4.0			4.20	443	158	3.25	3.6			1.10	GRX77 GRXF77	4P	7.0	13637	210	55	0.95	GR177 GRF177	8P	468	149	3.08	3.7	1.25	533	131	2.70	3.6	1.60	593	118	2.43	3.5	1.75	676	103	2.13	3.4	1.85	766	91	1.88	3.3	2.00	862	81	1.67	3.2	2.10			1014	69	1.42	3.1	2.20			567	123	2.54	1.4	0.95	GRX67 GRXF67	4P	7.9	12013	185	60	1.10	GR177 GRF177	6P	600	116	2.40	1.5	1.00	706	99	2.04	1.7	1.30	774	90	1.86	1.8	1.35	894			78	1.61	2.0	1.40	1029			68	1.40	2.0	1.50	5.2	19255	187.15	114	0.90	GR167 GRF167	6P	4.8	20734	201.53	128	1.70	GR177 GRF177	4P	6.4	15603	151.66	114	1.05	6.9	14424	140.20	114	1.20	7.9	12616	122.62	114	1.35	6.3	15823	231.49	114	1.05	7.8	12793	187.15	114	1.30	9.6	10367	151.66	114	1.60	10	9583	140.20	114	1.75	12	8382	122.62	114	2.00	14	7168			104.87	114	2.30	16	6369			93.17	114	2.70	18	5693	83.28	114	3.00	6.6	15097	146.74	34	0.80	GR167 GRF167	4P	8.0	12532	183.34	128	2.80	GR177 GRF177	4P	8.1	12266	119.22	59	1.00	8.9	11182	108.69	61	1.10	10	9750	94.77	64	1.25	12	8577	83.37	66	1.40	8.9	11177	163.51	61	1.10	9.9	10030	146.74	63	1.20	12	8149	119.22	65	1.50	13	7429	108.69	66	1.65	15	6478	94.77	67	1.90	18	5699	83.37	68	2.10	21	4844	70.87			69	2.50	22	4566	66.80			69	2.70	24	4163	60.90	70	2.90	28	3629	53.09	70	3.40	10	9662	141.35	22	0.80	GR147 GRF147	6P	11	8775	128.38	45	0.85	GR137 GRF137	4P	11	8775	128.38	45	0.85	13	7786	113.90	50	0.95	14	7065	103.36	52	1.05	16	6073	88.85	53	1.25	10	9662	141.35	22	0.80																																																				
452	150	6.41	2.4	2.10			498	137	5.82	2.4	2.20			574	118	5.05	2.3	2.50	661	103	4.39	2.3	2.60	221	324	6.52	16	3.55	GRX137	4P	5.0	18897	291	114		0.95	GR167R107 GRF167R107	4P	244	294	5.91	16		4.60	GRXF137	217	322	6.63	10	1.40	GRX107 GRXF107	4P	4.3	21949	338			114			0.80	GR167R97	4P	257	272			5.61	9.2	1.60	277	252	5.19	9.0	2.70	310	226	4.65	8.7	3.00	343	204	4.20	8.5	3.90	249	281	5.79	7.7	1.45	GRX97 GRXF97	4P					4.7	20001	308	114	0.90	GRF167R97	293	238	4.91	7.4	1.60	319	219	4.52	7.2	2.60	356	196	4.04	7.0	2.90	396	177	3.64	6.8	3.30	436	160	3.30	6.6	3.60	493	142	2.92	6.4	4.10	320	218	4.50			5.5	1.30			GRX87 GRXF87			4P	5.9	16104	248			25	0.80	GR147R87 GRF147R87	4P	381	183	3.78	5.3	1.60	414	169	3.48	5.1	2.30	466	150	3.09	5.0	2.60	522	134	2.76	4.9	2.90	581	120	2.48	4.7	3.30	670	104	2.15	4.5	3.60	746	94	1.93	4.4	3.70	900	78	1.60	4.2	3.90			1036	67	1.39	4.0	4.20			443			158	3.25	3.6	1.10	GRX77 GRXF77			4P	7.0	13637	210	55	0.95	GR177 GRF177	8P	468	149	3.08	3.7	1.25	533	131	2.70	3.6	1.60	593	118	2.43	3.5	1.75	676	103	2.13	3.4	1.85	766	91			1.88	3.3	2.00	862	81			1.67	3.2	2.10	1014	69			1.42	3.1	2.20	567	123			2.54	1.4	0.95	GRX67 GRXF67	4P	7.9	12013	185	60	1.10	GR177 GRF177	6P	600	116	2.40	1.5			1.00	706	99	2.04	1.7			1.30	774	90	1.86	1.8	1.35	894	78	1.61			2.0	1.40	1029	68	1.40			2.0	1.50	5.2	19255	187.15	114	0.90	GR167 GRF167	6P	4.8	20734	201.53	128	1.70	GR177 GRF177	4P	6.4	15603	151.66	114	1.05	6.9	14424	140.20	114	1.20	7.9	12616	122.62	114	1.35	6.3	15823	231.49	114	1.05	7.8	12793	187.15	114	1.30	9.6			10367	151.66	114	1.60	10			9583	140.20	114	1.75	12	8382	122.62	114	2.00	14	7168	104.87	114			2.30	16	6369	93.17	114			2.70	18	5693	83.28	114	3.00	6.6	15097	146.74	34	0.80	GR167 GRF167	4P	8.0	12532	183.34	128	2.80	GR177 GRF177	4P	8.1	12266	119.22	59	1.00	8.9	11182	108.69	61	1.10	10	9750	94.77	64	1.25	12	8577	83.37	66	1.40	8.9	11177	163.51	61	1.10	9.9	10030	146.74	63	1.20	12	8149	119.22			65	1.50	13	7429	108.69			66	1.65	15	6478	94.77	67	1.90	18	5699	83.37	68	2.10	21	4844	70.87	69	2.50			22	4566	66.80	69	2.70			24	4163	60.90	70	2.90	28	3629	53.09	70	3.40	10	9662	141.35	22	0.80	GR147 GRF147	6P	11	8775	128.38	45	0.85	GR137 GRF137	4P	11	8775	128.38	45	0.85	13	7786	113.90	50	0.95	14	7065	103.36	52	1.05	16	6073	88.85	53	1.25	10	9662	141.35	22	0.80																												
498	137	5.82	2.4	2.20			574	118	5.05	2.3	2.50			661	103	4.39	2.3	2.60	221	324	6.52	16	3.55	GRX137	4P	5.0	18897	291	114		0.95	GR167R107 GRF167R107	4P	244	294	5.91	16		4.60	GRXF137	217	322	6.63	10	1.40	GRX107 GRXF107	4P	4.3	21949	338			114	0.80	GR167R97			4P			257	272		5.61	9.2		1.60	277	252	5.19	9.0	2.70	310	226	4.65	8.7	3.00	343	204	4.20	8.5	3.90	249	281	5.79	7.7	1.45	GRX97 GRXF97	4P	4.7							20001	308	114	0.90	GRF167R97	293	238	4.91	7.4	1.60	319	219	4.52	7.2	2.60	356	196	4.04	7.0	2.90	396	177	3.64	6.8	3.30	436	160	3.30	6.6	3.60	493	142	2.92	6.4	4.10	320	218	4.50	5.5			1.30	GRX87 GRXF87							4P	5.9	16104			248	25			0.80	GR147R87 GRF147R87	4P	381	183	3.78	5.3	1.60	414	169	3.48	5.1	2.30	466	150	3.09	5.0	2.60	522	134	2.76	4.9	2.90	581	120	2.48	4.7	3.30	670	104	2.15	4.5	3.60	746	94	1.93	4.4	3.70	900	78			1.60	4.2	3.90	1036	67			1.39			4.0	4.20	443	158					3.25	3.6	1.10	GRX77 GRXF77	4P			7.0	13637	210	55	0.95	GR177 GRF177	8P	468	149	3.08	3.7	1.25	533	131	2.70	3.6	1.60	593	118	2.43	3.5	1.75			676	103	2.13	3.4	1.85			766	91	1.88	3.3	2.00			862	81	1.67	3.2	2.10			1014	69	1.42			3.1	2.20	567	123	2.54			1.4	0.95	GRX67 GRXF67	4P			7.9	12013	185	60	1.10			GR177 GRF177	6P	600	116	2.40	1.5	1.00	706	99			2.04	1.7	1.30	774	90			1.86	1.8	1.35	894	78	1.61	2.0			1.40	1029	68	1.40	2.0			1.50	5.2	19255	187.15	114	0.90	GR167 GRF167	6P	4.8	20734	201.53	128	1.70	GR177 GRF177	4P	6.4	15603	151.66	114	1.05	6.9	14424	140.20	114	1.20	7.9			12616	122.62	114	1.35	6.3			15823	231.49	114	1.05	7.8	12793	187.15	114	1.30	9.6	10367	151.66	114			1.60	10	9583	140.20	114			1.75	12	8382	122.62	114	2.00	14	7168	104.87	114	2.30			16	6369	93.17	114	2.70			18	5693	83.28	114	3.00	6.6	15097	146.74	34	0.80	GR167 GRF167	4P	8.0	12532	183.34	128	2.80	GR177 GRF177	4P	8.1	12266	119.22	59	1.00	8.9	11182	108.69	61	1.10	10	9750	94.77	64			1.25	12	8577	83.37	66			1.40	8.9	11177	163.51	61	1.10	9.9	10030	146.74	63	1.20	12	8149	119.22	65	1.50	13			7429	108.69	66	1.65	15			6478	94.77	67	1.90	18	5699	83.37	68	2.10	21	4844	70.87	69	2.50	22			4566	66.80	69	2.70	24			4163	60.90	70	2.90	28	3629	53.09	70	3.40	10	9662	141.35	22	0.80	GR147 GRF147	6P	11	8775	128.38	45	0.85	GR137 GRF137	4P	11	8775	128.38	45	0.85	13	7786	113.90	50	0.95	14	7065	103.36	52	1.05	16	6073	88.85	53	1.25	10	9662	141.35	22	0.80					
574	118	5.05	2.3	2.50			661	103	4.39	2.3	2.60	221	324	6.52	16	3.55	GRX137	4P	5.0	18897	291	114	0.95	GR167R107 GRF167R107		4P	244	294	5.91	16	4.60	GRXF137		217	322	6.63	10	1.40	GRX107 GRXF107	4P	4.3	21949	338	114	0.80			GR167R97	4P	257			272	5.61	9.2						1.60	277		252	5.19	9.0	2.70	310	226	4.65	8.7	3.00	343	204	4.20	8.5	3.90	249	281	5.79	7.7	1.45	GRX97 GRXF97	4P	4.7	20001	308			114							0.90	GRF167R97	293	238	4.91	7.4	1.60	319	219	4.52	7.2	2.60	356	196	4.04	7.0	2.90	396	177	3.64	6.8	3.30	436	160	3.30	6.6	3.60	493	142	2.92	6.4	4.10	320	218	4.50	5.5	1.30	GRX87 GRXF87	4P			5.9									16104	248			25	0.80			GR147R87 GRF147R87			4P	381	183	3.78	5.3	1.60	414	169	3.48	5.1	2.30	466	150	3.09	5.0	2.60	522	134	2.76	4.9	2.90	581	120	2.48	4.7	3.30	670	104	2.15	4.5	3.60	746	94	1.93	4.4	3.70	900			78	1.60	4.2	3.90	1036			67			1.39	4.0	4.20	443					158	3.25	3.6					1.10	GRX77 GRXF77	4P	7.0	13637			210	55	0.95	GR177 GRF177	8P	468	149	3.08	3.7	1.25	533	131	2.70	3.6	1.60			593	118	2.43	3.5	1.75			676	103	2.13	3.4	1.85			766	91	1.88	3.3	2.00			862	81	1.67			3.2	2.10	1014	69	1.42			3.1	2.20					567	123	2.54	1.4	0.95					GRX67 GRXF67	4P	7.9	12013	185	60	1.10			GR177 GRF177	6P	600	116	2.40			1.5	1.00	706	99	2.04	1.7	1.30			774	90	1.86	1.8	1.35			894	78	1.61	2.0	1.40	1029			68	1.40	2.0	1.50	5.2			19255	187.15	114	0.90	GR167 GRF167	6P	4.8	20734	201.53	128	1.70			GR177 GRF177	4P	6.4	15603	151.66			114	1.05	6.9	14424	140.20	114	1.20	7.9	12616	122.62	114	1.35	6.3			15823	231.49	114	1.05	7.8			12793	187.15	114	1.30	9.6	10367	151.66	114	1.60	10	9583			140.20	114	1.75	12	8382			122.62	114	2.00	14	7168	104.87	114	2.30	16	6369			93.17	114	2.70	18	5693			83.28	114	3.00	6.6	15097	146.74	34	0.80	GR167 GRF167	4P	8.0	12532	183.34	128			2.80	GR177 GRF177	4P	8.1	12266			119.22	59	1.00	8.9	11182	108.69	61	1.10	10	9750	94.77	64	1.25	12	8577	83.37	66			1.40	8.9	11177	163.51	61			1.10	9.9	10030	146.74	63	1.20	12	8149	119.22	65	1.50	13	7429	108.69	66			1.65	15	6478	94.77	67			1.90	18	5699	83.37	68	2.10	21	4844	70.87	69	2.50	22	4566	66.80			69	2.70	24	4163	60.90			70	2.90	28	3629	53.09	70	3.40	10	9662	141.35	22	0.80	GR147 GRF147	6P	11	8775	128.38	45	0.85	GR137 GRF137	4P	11	8775	128.38	45	0.85	13	7786	113.90	50
661	103	4.39	2.3	2.60			221	324	6.52	16	3.55	GRX137	4P	5.0	18897	291	114		0.95	GR167R107 GRF167R107	4P	244	294	5.91	16		4.60	GRXF137	217	322	6.63	10	1.40	GRX107 GRXF107	4P	4.3	21949	338			114	0.80	GR167R97	4P	257			272		5.61			9.2	1.60	277				252	5.19	9.0	2.70	310	226	4.65	8.7	3.00	343	204	4.20	8.5	3.90	249	281	5.79	7.7	1.45	GRX97 GRXF97	4P	4.7	20001	308			114	0.90	GRF167R97			293			238	4.91			7.4	1.60	319	219	4.52	7.2	2.60	356	196	4.04	7.0	2.90	396	177	3.64	6.8	3.30	436	160	3.30	6.6	3.60	493	142	2.92	6.4	4.10	320	218	4.50	5.5	1.30	GRX87 GRXF87	4P	5.9	16104	248					25					0.80	GR147R87 GRF147R87			4P	381			183	3.78							5.3	1.60	414	169	3.48	5.1	2.30	466	150	3.09	5.0	2.60	522	134	2.76	4.9	2.90	581	120	2.48	4.7	3.30	670	104	2.15	4.5	3.60	746	94	1.93	4.4	3.70	900	78	1.60	4.2			3.90	1036	67	1.39	4.0	4.20	443	158			3.25	3.6	1.10	GRX77 GRXF77					4P	7.0	13637					210			55	0.95			GR177 GRF177	8P	468			149	3.08	3.7	1.25	533	131	2.70	3.6	1.60	593			118	2.43	3.5	1.75	676	103	2.13	3.4	1.85	766	91	1.88			3.3	2.00	862	81	1.67			3.2	2.10	1014			69	1.42	3.1	2.20	567			123	2.54					1.4	0.95	GRX67 GRXF67	4P	7.9	12013	185					60	1.10	GR177 GRF177	6P	600					116	2.40	1.5			1.00	706	99	2.04	1.7	1.30	774			90	1.86	1.8	1.35	894			78	1.61	2.0	1.40	1029	68			1.40	2.0	1.50	5.2	19255			187.15	114	0.90	GR167 GRF167			6P	4.8	20734	201.53	128					1.70	GR177 GRF177	4P	6.4	15603	151.66	114	1.05	6.9	14424	140.20	114	1.20	7.9	12616	122.62	114	1.35			6.3	15823	231.49	114	1.05			7.8	12793	187.15	114	1.30	9.6	10367	151.66	114	1.60	10			9583	140.20	114	1.75	12			8382	122.62	114	2.00	14	7168	104.87	114	2.30	16			6369	93.17	114	2.70	18			5693	83.28	114	3.00	6.6	15097	146.74	34			0.80	GR167 GRF167	4P	8.0			12532			183.34	128	2.80	GR177 GRF177	4P	8.1	12266	119.22	59	1.00	8.9	11182	108.69	61	1.10	10	9750	94.77	64	1.25	12			8577	83.37	66	1.40	8.9			11177	163.51	61	1.10	9.9	10030	146.74	63	1.20	12	8149	119.22	65	1.50	13			7429	108.69	66	1.65	15			6478	94.77	67	1.90	18	5699	83.37	68	2.10	21	4844	70.87	69	2.50			22	4566	66.80	69	2.70			24	4163	60.90	70	2.90	28	3629	53.09	70	3.40	10	9662			141.35	22	0.80	GR147 GRF147	6P			11	8775	128.38	45	0.85	GR137 GRF137	4P	11	8775
221	324	6.52	16	3.55	GRX137	4P	5.0	18897	291	114	0.95	GR167R107 GRF167R107		4P																																																																																																																																																																																																																																																																																																																																																																																																																																																																																																																																																					
244	294	5.91	16	4.60	GRXF137		217	322	6.63	10	1.40	GRX107 GRXF107	4P		4.3	21949	338	114	0.80	GR167R97	4P	257	272	5.61	9.2	1.60	277	252	5.19	9.0	2.70	310	226			4.65	8.7	3.00			343	204	4.20		8.5			3.90	249	281	5.79	7.7	1.45	GRX97 GRXF97	4P	4.7	20001	308	114	0.90	GRF167R97	293	238	4.91	7.4	1.60	319	219	4.52	7.2	2.60	356	196	4.04	7.0	2.90	396			177	3.64	6.8			3.30	436	160			3.30	6.6	3.60	493	142	2.92	6.4	4.10	320	218	4.50	5.5	1.30	GRX87 GRXF87	4P	5.9	16104	248	25	0.80	GR147R87 GRF147R87	4P	381	183	3.78	5.3	1.60	414	169	3.48	5.1	2.30	466	150	3.09	5.0	2.60	522	134			2.76	4.9	2.90					581					120					2.48	4.7	3.30	670	104	2.15	4.5					3.60	746	94	1.93	4.4	3.70	900	78	1.60	4.2	3.90	1036	67	1.39	4.0	4.20	443	158	3.25	3.6	1.10	GRX77 GRXF77	4P	7.0	13637	210	55	0.95	GR177 GRF177	8P	468	149	3.08	3.7	1.25	533			131	2.70	3.6	1.60	593	118	2.43	3.5			1.75	676	103			2.13	3.4			1.85	766			91	1.88	3.3			2.00	862					81			1.67	3.2	2.10	1014	69	1.42	3.1	2.20	567	123			2.54	1.4	0.95	GRX67 GRXF67	4P	7.9	12013	185	60	1.10	GR177 GRF177	6P			600	116	2.40	1.5	1.00	706	99	2.04	1.7	1.30			774	90	1.86	1.8	1.35	894	78	1.61	2.0					1.40	1029			68	1.40	2.0					1.50	5.2			19255					187.15	114	0.90	GR167 GRF167	6P	4.8	20734	201.53	128	1.70	GR177 GRF177	4P			6.4	15603	151.66	114	1.05	6.9	14424	140.20	114	1.20	7.9	12616	122.62			114	1.35	6.3	15823	231.49			114	1.05	7.8					12793	187.15	114	1.30					9.6			10367	151.66	114	1.60	10	9583	140.20	114	1.75	12	8382	122.62	114	2.00	14			7168	104.87	114	2.30	16	6369	93.17	114	2.70	18	5693	83.28	114	3.00	6.6	15097	146.74	34			0.80	GR167 GRF167	4P	8.0	12532	183.34	128	2.80	GR177 GRF177	4P	8.1	12266	119.22	59	1.00	8.9	11182			108.69	61	1.10	10	9750			94.77	64	1.25	12	8577	83.37	66	1.40			8.9			11177	163.51	61	1.10			9.9	10030	146.74			63	1.20	12	8149	119.22	65	1.50	13	7429	108.69	66	1.65	15	6478	94.77	67	1.90	18	5699	83.37	68	2.10	21	4844	70.87	69	2.50	22	4566	66.80	69	2.70	24	4163	60.90	70	2.90	28	3629	53.09			70	3.40	10	9662	141.35	22	0.80	GR147 GRF147	6P	11	8775	128.38	45	0.85	GR137 GRF137	4P	11	8775	128.38	45	0.85			13	7786	113.90	50	0.95			14	7065	103.36	52	1.05	16	6073	88.85	53	1.25	10	9662			141.35	22	0.80													
217	322	6.63	10	1.40	GRX107 GRXF107	4P	4.3	21949	338	114	0.80			GR167R97	4P																																																																																																																																																																																																																																																																																																																																																																																																																																																																																																																																																				
257	272	5.61	9.2	1.60			277	252	5.19	9.0	2.70			310		226	4.65	8.7	3.00	343		204	4.20	8.5	3.90	249	281	5.79	7.7	1.45	GRX97 GRXF97	4P	4.7			20001	308	114	0.90	GRF167R97	293	238	4.91	7.4	1.60	319	219	4.52	7.2	2.60	356	196	4.04			7.0	2.90	396	177	3.64	6.8	3.30	436	160	3.30	6.6	3.60	493	142	2.92	6.4	4.10	320	218	4.50	5.5	1.30			GRX87 GRXF87	4P	5.9	16104	248	25	0.80	GR147R87 GRF147R87	4P	381	183	3.78	5.3	1.60	414	169	3.48	5.1	2.30	466	150	3.09	5.0			2.60	522	134	2.76	4.9			2.90	581	120	2.48	4.7	3.30	670	104	2.15	4.5	3.60	746	94	1.93	4.4	3.70	900			78	1.60	4.2					3.90					1036					67	1.39	4.0	4.20	443	158	3.25	3.6	1.10	GRX77 GRXF77	4P	7.0	13637	210	55	0.95	GR177 GRF177	8P	468	149	3.08	3.7	1.25	533	131	2.70	3.6	1.60	593	118	2.43	3.5			1.75	676	103	2.13	3.4			1.85	766	91	1.88	3.3	2.00			862	81	1.67	3.2	2.10	1014	69	1.42			3.1	2.20	567			123	2.54			1.4	0.95			GRX67 GRXF67	4P	7.9			12013	185	60	1.10			GR177 GRF177	6P	600	116	2.40	1.5	1.00	706	99	2.04	1.7	1.30	774			90	1.86	1.8			1.35	894	78	1.61	2.0					1.40	1029	68	1.40	2.0	1.50	5.2	19255	187.15	114			0.90	GR167 GRF167	6P	4.8	20734	201.53	128	1.70	GR177 GRF177					4P	6.4			15603	151.66	114	1.05	6.9			14424	140.20			114			1.20	7.9	12616	122.62	114			1.35	6.3	15823	231.49	114					1.05	7.8	12793	187.15	114	1.30	9.6	10367	151.66	114	1.60	10	9583			140.20	114	1.75	12	8382	122.62	114	2.00	14	7168					104.87	114	2.30	16			6369	93.17	114			2.70	18	5693	83.28	114	3.00	6.6	15097	146.74	34	0.80	GR167 GRF167	4P	8.0	12532			183.34	128	2.80	GR177 GRF177	4P	8.1	12266	119.22	59	1.00	8.9	11182	108.69	61	1.10	10	9750	94.77			64			1.25	12	8577	83.37	66			1.40	8.9	11177	163.51	61	1.10	9.9			10030	146.74	63	1.20	12	8149	119.22	65	1.50	13	7429	108.69	66	1.65	15			6478			94.77	67	1.90	18	5699	83.37	68	2.10	21			4844	70.87	69	2.50	22	4566	66.80	69	2.70	24	4163	60.90	70	2.90	28	3629	53.09	70	3.40	10	9662	141.35	22	0.80	GR147 GRF147	6P	11	8775	128.38	45	0.85	GR137 GRF137	4P	11	8775	128.38	45	0.85	13	7786	113.90	50	0.95	14	7065	103.36	52	1.05	16			6073	88.85	53	1.25	10			9662	141.35	22	0.80																																								
277	252	5.19	9.0	2.70			310	226	4.65	8.7	3.00			343		204	4.20	8.5	3.90	249	281	5.79	7.7	1.45	GRX97 GRXF97	4P	4.7	20001	308	114			0.90	GRF167R97	293	238	4.91	7.4	1.60	319	219	4.52	7.2	2.60	356	196	4.04	7.0	2.90	396	177	3.64	6.8			3.30	436	160	3.30	6.6	3.60	493	142	2.92	6.4	4.10	320	218	4.50	5.5	1.30	GRX87 GRXF87	4P	5.9	16104	248	25	0.80	GR147R87 GRF147R87			4P	381	183	3.78	5.3			1.60	414	169	3.48	5.1	2.30	466	150	3.09	5.0	2.60	522	134	2.76			4.9	2.90	581	120	2.48			4.7	3.30	670	104	2.15	4.5	3.60	746	94	1.93	4.4	3.70	900	78	1.60	4.2	3.90			1036	67	1.39			4.0	4.20	443					158	3.25			3.6	1.10	GRX77 GRXF77	4P	7.0	13637	210	55	0.95	GR177 GRF177			8P	468	149	3.08	3.7			1.25	533	131	2.70	3.6	1.60	593	118	2.43	3.5	1.75	676	103	2.13			3.4	1.85	766	91	1.88			3.3	2.00	862	81	1.67	3.2	2.10	1014	69	1.42	3.1	2.20	567	123	2.54	1.4			0.95	GRX67 GRXF67	4P			7.9	12013			185	60					1.10			GR177 GRF177	6P	600	116	2.40	1.5			1.00	706	99	2.04	1.7	1.30	774	90	1.86	1.8	1.35	894	78	1.61	2.0	1.40			1029	68	1.40	2.0	1.50					5.2	19255	187.15	114	0.90	GR167 GRF167	6P	4.8	20734	201.53			128			1.70	GR177 GRF177	4P	6.4	15603				151.66	114		1.05			6.9	14424	140.20	114	1.20			7.9	12616	122.62	114	1.35			6.3	15823	231.49	114	1.05			7.8	12793	187.15	114	1.30					9.6	10367	151.66	114	1.60	10	9583	140.20	114	1.75	12	8382	122.62			114	2.00	14	7168	104.87	114	2.30	16	6369	93.17					114	2.70	18	5693	83.28	114	3.00	6.6	15097	146.74	34	0.80	GR167 GRF167	4P	8.0	12532	183.34	128	2.80	GR177 GRF177	4P	8.1			12266	119.22			59	1.00	8.9			11182	108.69	61	1.10	10	9750	94.77	64	1.25	12	8577	83.37	66			1.40			8.9	11177	163.51	61	1.10			9.9	10030	146.74	63	1.20	12	8149			119.22	65	1.50	13	7429	108.69	66	1.65	15	6478	94.77	67	1.90	18	5699			83.37			68	2.10	21	4844	70.87	69	2.50	22	4566	66.80	69	2.70	24	4163	60.90	70	2.90	28	3629	53.09	70	3.40	10	9662	141.35	22	0.80	GR147 GRF147	6P	11	8775	128.38	45	0.85	GR137 GRF137			4P	11	8775	128.38	45			0.85	13	7786	113.90	50	0.95	14	7065	103.36	52	1.05	16	6073	88.85	53	1.25			10	9662	141.35	22	0.80																																														
310	226	4.65	8.7	3.00			343	204	4.20	8.5	3.90			249	281	5.79	7.7	1.45	GRX97 GRXF97	4P	4.7	20001	308	114			0.90	GRF167R97	293	238			4.91	7.4	1.60	319	219	4.52	7.2	2.60	356	196	4.04	7.0	2.90	396	177	3.64	6.8	3.30	436	160	3.30			6.6	3.60	493	142	2.92	6.4	4.10	320	218	4.50	5.5	1.30	GRX87 GRXF87	4P	5.9	16104			248	25	0.80	GR147R87 GRF147R87	4P					381	183	3.78	5.3			1.60	414	169	3.48	5.1	2.30	466	150	3.09	5.0	2.60	522	134	2.76			4.9	2.90	581	120	2.48			4.7	3.30	670	104	2.15	4.5	3.60	746	94	1.93	4.4	3.70	900	78	1.60	4.2	3.90			1036	67	1.39			4.0	4.20	443		158	3.25		3.6	1.10			GRX77 GRXF77	4P			7.0	13637	210	55	0.95					GR177 GRF177	8P	468	149			3.08	3.7	1.25	533	131	2.70	3.6	1.60	593	118	2.43	3.5	1.75	676			103	2.13	3.4	1.85	766			91	1.88	3.3	2.00	862	81	1.67	3.2	2.10	1014	69	1.42	3.1	2.20	567	123	2.54	1.4	0.95					GRX67 GRXF67	4P			7.9	12013					185					60	1.10	GR177 GRF177	6P			600	116	2.40	1.5	1.00	706	99	2.04	1.7	1.30	774	90	1.86	1.8	1.35	894			78	1.61	2.0	1.40	1029			68	1.40	2.0	1.50	5.2	19255	187.15			114	0.90	GR167 GRF167			6P			4.8			20734	201.53				128	1.70		GR177 GRF177			4P	6.4	15603	151.66	114			1.05	6.9	14424	140.20	114	1.20	7.9	12616	122.62	114	1.35	6.3			15823	231.49	114	1.05	7.8					12793	187.15	114	1.30	9.6	10367	151.66	114	1.60	10	9583	140.20	114			1.75	12	8382	122.62	114	2.00	14	7168	104.87	114					2.30	16	6369	93.17	114	2.70	18	5693	83.28	114	3.00	6.6			15097	146.74	34	0.80	GR167 GRF167			4P			8.0	12532	183.34	128	2.80	GR177 GRF177	4P			8.1	12266	119.22	59	1.00	8.9	11182	108.69	61	1.10	10	9750	94.77			64			1.25	12	8577	83.37	66			1.40	8.9	11177	163.51	61	1.10	9.9			10030	146.74	63	1.20	12	8149	119.22	65	1.50	13	7429	108.69	66	1.65	15			6478			94.77	67	1.90	18	5699	83.37	68	2.10	21	4844	70.87	69	2.50	22	4566	66.80	69	2.70	24	4163	60.90	70	2.90	28	3629	53.09	70			3.40	10	9662	141.35	22					0.80	GR147 GRF147	6P	11			8775	128.38	45	0.85	GR137 GRF137	4P	11	8775	128.38	45	0.85	13	7786	113.90	50	0.95			14	7065	103.36	52	1.05			16	6073	88.85	53	1.25	10	9662	141.35	22	0.80																																		
343	204	4.20	8.5	3.90			249	281	5.79	7.7	1.45	GRX97 GRXF97	4P	4.7	20001	308	114	0.90			GRF167R97	293	238	4.91			7.4	1.60	319	219			4.52	7.2	2.60	356	196	4.04	7.0	2.90	396	177	3.64	6.8	3.30	436	160	3.30	6.6	3.60	493	142	2.92	6.4	4.10	320	218	4.50	5.5	1.30	GRX87 GRXF87	4P	5.9	16104	248	25	0.80			GR147R87 GRF147R87	4P			381	183	3.78							5.3	1.60	414	169			3.48	5.1	2.30	466	150	3.09	5.0	2.60	522	134	2.76	4.9	2.90	581			120	2.48	4.7	3.30	670	104	2.15	4.5	3.60	746	94	1.93	4.4	3.70	900	78	1.60	4.2	3.90	1036	67	1.39	4.0	4.20			443	158	3.25			3.6	1.10	GRX77 GRXF77		4P	7.0	13637	210	55	0.95						GR177 GRF177	8P	468	149	3.08							3.7	1.25			533	131	2.70	3.6	1.60	593	118	2.43	3.5	1.75	676	103	2.13	3.4			1.85	766	91	1.88	3.3	2.00	862	81	1.67	3.2	2.10	1014	69	1.42	3.1	2.20	567	123	2.54	1.4	0.95	GRX67 GRXF67	4P	7.9	12013	185				60			1.10		GR177 GRF177	6P					600					116	2.40					1.5	1.00	706	99	2.04	1.7	1.30	774	90	1.86	1.8	1.35	894	78	1.61	2.0			1.40	1029	68	1.40	2.0	1.50	5.2	19255	187.15	114	0.90	GR167 GRF167	6P	4.8			20734	201.53		128	1.70				GR177 GRF177			4P	6.4				15603	151.66						114	1.05	6.9	14424			140.20	114	1.20	7.9	12616	122.62	114	1.35	6.3	15823	231.49	114			1.05	7.8	12793	187.15	114	1.30	9.6	10367	151.66	114	1.60	10	9583	140.20	114	1.75	12	8382	122.62	114	2.00	14			7168	104.87	114	2.30	16	6369	93.17	114	2.70	18					5693	83.28	114	3.00	6.6	15097	146.74	34	0.80	GR167 GRF167	4P	8.0			12532	183.34	128	2.80							GR177 GRF177	4P	8.1	12266	119.22					59	1.00	8.9	11182	108.69	61	1.10	10	9750	94.77	64	1.25	12	8577	83.37	66			1.40	8.9	11177	163.51	61	1.10	9.9	10030	146.74	63	1.20	12	8149	119.22			65	1.50	13	7429	108.69	66	1.65	15	6478	94.77	67	1.90	18	5699	83.37			68			2.10	21	4844	70.87	69	2.50	22	4566	66.80	69	2.70	24	4163	60.90	70	2.90	28	3629	53.09	70	3.40	10	9662	141.35	22	0.80	GR147 GRF147			6P	11	8775	128.38	45					0.85			GR137 GRF137			4P	11	8775	128.38			45	0.85	13	7786	113.90	50	0.95	14	7065	103.36			52	1.05	16	6073	88.85	53	1.25	10	9662	141.35	22	0.80																																							
249	281	5.79	7.7	1.45	GRX97 GRXF97	4P	4.7	20001	308	114	0.90			GRF167R97	293	238	4.91	7.4			1.60	319	219	4.52			7.2	2.60	356	196			4.04	7.0	2.90	396	177	3.64	6.8	3.30	436	160	3.30	6.6	3.60	493	142	2.92	6.4	4.10	320	218	4.50	5.5	1.30	GRX87 GRXF87	4P	5.9	16104	248			25	0.80	GR147R87 GRF147R87	4P	381							183	3.78	5.3							1.60	414	169	3.48			5.1	2.30	466	150	3.09	5.0	2.60	522	134	2.76	4.9	2.90	581	120			2.48	4.7	3.30	670	104	2.15	4.5	3.60	746	94	1.93	4.4	3.70	900	78	1.60	4.2	3.90	1036	67	1.39	4.0	4.20	443			158	3.25	3.6			1.10	GRX77 GRXF77		4P		7.0	13637	210	55	0.95	GR177 GRF177							8P	468	149							3.08	3.7			1.25	533	131	2.70	3.6	1.60	593	118	2.43	3.5	1.75	676	103	2.13			3.4	1.85	766	91	1.88	3.3	2.00	862	81	1.67	3.2	2.10	1014	69	1.42	3.1	2.20	567	123	2.54	1.4			0.95	GRX67 GRXF67	4P				7.9			12013				185	60			1.10					GR177 GRF177	6P					600	116	2.40	1.5	1.00	706	99	2.04	1.7	1.30	774	90	1.86	1.8	1.35	894			78	1.61	2.0	1.40	1029	68	1.40	2.0	1.50	5.2	19255			187.15			114	0.90		GR167 GRF167	6P								4.8		20734	201.53	128	1.70						GR177 GRF177	4P	6.4	15603			151.66	114	1.05	6.9	14424	140.20	114	1.20	7.9	12616	122.62	114			1.35	6.3	15823	231.49	114	1.05	7.8	12793	187.15	114	1.30	9.6	10367	151.66	114	1.60	10	9583	140.20	114	1.75	12	8382	122.62	114	2.00	14	7168	104.87	114	2.30	16	6369	93.17					114	2.70	18	5693	83.28	114	3.00	6.6	15097			146.74			34	0.80	GR167 GRF167	4P									8.0	12532	183.34					128	2.80	GR177 GRF177	4P	8.1	12266	119.22	59	1.00	8.9	11182	108.69	61	1.10	10	9750			94.77	64	1.25	12	8577	83.37	66	1.40	8.9	11177	163.51	61	1.10	9.9	10030	146.74	63	1.20	12	8149	119.22	65	1.50	13	7429	108.69	66	1.65	15	6478	94.77			67			1.90	18	5699	83.37	68	2.10	21	4844	70.87	69	2.50	22	4566	66.80	69	2.70	24	4163	60.90	70	2.90	28	3629	53.09	70	3.40					10	9662	141.35	22					0.80							GR147 GRF147	6P	11			8775	128.38	45	0.85	GR137 GRF137	4P	11	8775	128.38	45	0.85	13	7786	113.90	50	0.95	14	7065	103.36	52	1.05	16	6073	88.85	53	1.25	10	9662	141.35	22	0.80																																
293	238	4.91	7.4	1.60			319	219	4.52	7.2	2.60			356	196	4.04	7.0	2.90			396	177	3.64	6.8			3.30	436	160	3.30	6.6	3.60	493	142	2.92	6.4	4.10	320	218	4.50	5.5	1.30	GRX87 GRXF87	4P	5.9	16104	248	25	0.80	GR147R87 GRF147R87	4P	381	183	3.78	5.3			1.60	414	169			3.48	5.1			2.30							466	150	3.09							5.0	2.60	522	134	2.76	4.9	2.90	581	120	2.48	4.7	3.30	670	104	2.15	4.5	3.60	746	94	1.93			4.4	3.70	900	78	1.60	4.2	3.90	1036	67	1.39	4.0	4.20	443	158	3.25	3.6	1.10	GRX77 GRXF77	4P	7.0	13637	210	55	0.95			GR177 GRF177	8P	468	149	3.08	3.7					1.25	533	131	2.70	3.6									1.60	593							118	2.43	3.5	1.75	676	103	2.13	3.4	1.85	766	91	1.88	3.3	2.00	862	81	1.67	3.2			2.10	1014	69	1.42	3.1	2.20	567	123	2.54	1.4	0.95	GRX67 GRXF67	4P	7.9	12013	185	60	1.10	GR177 GRF177	6P	600			116						2.40			1.5				1.00	706			99	2.04	1.7							1.30	774	90	1.86	1.8	1.35	894	78	1.61	2.0	1.40	1029	68	1.40	2.0	1.50	5.2	19255			187.15	114	0.90	GR167 GRF167	6P	4.8	20734	201.53	128	1.70	GR177 GRF177			4P			6.4	15603											151.66	114	1.05	6.9	14424	140.20	114							1.20	7.9	12616	122.62	114	1.35	6.3	15823	231.49	114	1.05	7.8	12793	187.15	114	1.30			9.6	10367	151.66	114	1.60	10	9583	140.20	114	1.75	12	8382	122.62	114	2.00	14	7168	104.87	114	2.30	16	6369	93.17	114	2.70	18	5693	83.28	114	3.00	6.6	15097	146.74	34		0.80	GR167 GRF167		4P	8.0	12532	183.34	128	2.80	GR177 GRF177	4P	8.1			12266			119.22	59											1.00	8.9	11182			108.69	61	1.10	10			9750	94.77	64	1.25	12	8577	83.37	66	1.40	8.9	11177	163.51			61	1.10	9.9	10030	146.74	63	1.20	12	8149	119.22	65	1.50	13	7429	108.69	66	1.65	15	6478	94.77	67	1.90	18	5699	83.37	68	2.10	21	4844	70.87	69	2.50	22	4566			66.80	69	2.70	24	4163	60.90	70	2.90	28	3629	53.09	70	3.40	10	9662	141.35	22	0.80	GR147 GRF147	6P	11	8775	128.38	45	0.85	GR137 GRF137					4P	11	8775	128.38					45				0.85	13				7786			113.90	50	0.95	14			7065	103.36	52	1.05	16	6073	88.85	53	1.25	10	9662	141.35	22	0.80																																											
319	219	4.52	7.2	2.60			356	196	4.04	7.0	2.90			396	177	3.64	6.8	3.30			436	160	3.30	6.6	3.60	493	142	2.92	6.4	4.10	320	218	4.50	5.5	1.30	GRX87 GRXF87	4P	5.9	16104	248	25	0.80			GR147R87 GRF147R87	4P	381	183	3.78			5.3	1.60	414	169			3.48	5.1	2.30			466	150			3.09							5.0	2.60	522			134			2.76	4.9	2.90	581	120	2.48	4.7	3.30	670	104	2.15	4.5	3.60	746	94	1.93	4.4	3.70	900	78	1.60			4.2	3.90	1036	67	1.39	4.0	4.20	443	158	3.25	3.6	1.10	GRX77 GRXF77	4P	7.0	13637	210			55	0.95	GR177 GRF177	8P	468	149	3.08			3.7	1.25	533	131					2.70	3.6	1.60	593	118									2.43	3.5	1.75			676			103	2.13	3.4	1.85	766	91	1.88	3.3	2.00	862	81	1.67	3.2	2.10	1014	69	1.42	3.1			2.20	567	123	2.54	1.4	0.95	GRX67 GRXF67	4P	7.9	12013	185			60	1.10	GR177 GRF177	6P	600			116			2.40					1.5	1.00			706	99			2.04	1.7			1.30	774	90	1.86	1.8					1.35	894	78	1.61	2.0	1.40	1029	68	1.40	2.0	1.50	5.2	19255	187.15	114	0.90	GR167 GRF167	6P			4.8	20734	201.53			128	1.70	GR177 GRF177	4P	6.4							15603	151.66								114	1.05		6.9	14424	140.20	114	1.20	7.9	12616		122.62	114				1.35	6.3	15823	231.49	114	1.05	7.8	12793	187.15	114	1.30	9.6	10367	151.66	114	1.60			10	9583	140.20	114	1.75	12	8382	122.62	114	2.00	14	7168	104.87	114	2.30	16	6369	93.17	114	2.70	18	5693	83.28	114	3.00	6.6	15097	146.74	34	0.80	GR167 GRF167	4P	8.0	12532	183.34	128		2.80		GR177 GRF177	4P	8.1	12266	119.22			59			1.00			8.9	11182				108.69	61						1.10	10	9750			94.77	64	1.25	12			8577	83.37	66	1.40	8.9	11177	163.51	61	1.10	9.9	10030	146.74			63	1.20	12	8149	119.22	65	1.50	13	7429	108.69	66	1.65	15	6478	94.77	67	1.90	18	5699	83.37	68	2.10	21	4844	70.87	69	2.50	22	4566	66.80	69	2.70	24	4163	60.90	70	2.90	28	3629	53.09	70	3.40	10	9662	141.35	22	0.80	GR147 GRF147	6P	11	8775	128.38	45	0.85			GR137 GRF137	4P	11	8775	128.38							45	0.85	13	7786	113.90	50	0.95	14				7065	103.36				52			1.05	16	6073	88.85			53	1.25	10	9662	141.35	22	0.80																																																		
356	196	4.04	7.0	2.90			396	177	3.64	6.8	3.30			436	160	3.30	6.6	3.60	493	142	2.92	6.4	4.10	320	218	4.50	5.5	1.30	GRX87 GRXF87	4P	5.9	16104	248	25	0.80			GR147R87 GRF147R87	4P	381	183	3.78					5.3	1.60	414			169	3.48	5.1	2.30			466	150	3.09			5.0	2.60			522							134	2.76	4.9	2.90	581	120			2.48	4.7	3.30	670	104	2.15	4.5	3.60	746	94	1.93	4.4	3.70	900	78	1.60	4.2	3.90	1036	67	1.39			4.0	4.20	443	158	3.25	3.6	1.10	GRX77 GRXF77	4P	7.0	13637	210			55	0.95	GR177 GRF177			8P	468			149	3.08	3.7			1.25	533	131	2.70					3.6	1.60	593	118	2.43									3.5	1.75	676			103	2.13	3.4	1.85	766	91	1.88	3.3	2.00	862	81	1.67	3.2	2.10	1014	69	1.42	3.1	2.20	567	123			2.54	1.4	0.95	GRX67 GRXF67	4P	7.9			12013	185	60			1.10	GR177 GRF177			6P			600			116					2.40	1.5			1.00	706			99	2.04			1.7	1.30	774	90	1.86			1.8	1.35	894	78	1.61	2.0	1.40	1029	68	1.40	2.0	1.50	5.2	19255	187.15	114	0.90	GR167 GRF167					6P	4.8	20734			201.53	128			1.70							GR177 GRF177	4P								6.4	15603		151.66	114	1.05	6.9	14424	140.20	114	1.20	7.9	12616	122.62			114	1.35	6.3	15823	231.49	114	1.05	7.8	12793	187.15	114	1.30	9.6	10367	151.66	114			1.60	10	9583	140.20	114	1.75	12	8382	122.62	114	2.00	14	7168	104.87	114	2.30	16	6369	93.17	114	2.70	18	5693	83.28	114	3.00	6.6	15097	146.74	34			0.80	GR167 GRF167	4P	8.0		12532				183.34	128	2.80			GR177 GRF177			4P			8.1	12266				119.22	59						1.00	8.9	11182	108.69	61	1.10	10	9750	94.77			64	1.25	12	8577	83.37	66	1.40	8.9	11177	163.51	61	1.10			9.9	10030	146.74	63	1.20	12	8149	119.22	65	1.50	13	7429	108.69	66	1.65	15	6478	94.77	67	1.90	18	5699	83.37	68	2.10	21	4844	70.87	69	2.50	22	4566	66.80	69	2.70	24	4163	60.90	70	2.90	28	3629	53.09	70	3.40	10	9662			141.35	22	0.80	GR147 GRF147	6P					11	8775	128.38			45	0.85			GR137 GRF137	4P	11	8775	128.38	45	0.85	13				7786	113.90				50	0.95	14	7065	103.36	52	1.05			16	6073	88.85	53	1.25	10	9662	141.35	22	0.80																																															
396	177	3.64	6.8	3.30			436	160	3.30	6.6	3.60	493	142	2.92	6.4	4.10	320	218	4.50	5.5	1.30	GRX87 GRXF87	4P	5.9	16104	248	25	0.80			GR147R87 GRF147R87	4P	381	183	3.78					5.3	1.60	414					169	3.48	5.1			2.30	466	150	3.09			5.0	2.60	522			134	2.76			4.9			2.90	581			120	2.48	4.7	3.30	670	104			2.15	4.5	3.60	746	94	1.93	4.4	3.70	900	78	1.60	4.2	3.90	1036	67	1.39	4.0	4.20	443	158	3.25	3.6	1.10	GRX77 GRXF77	4P	7.0	13637	210	55	0.95			GR177 GRF177	8P	468			149	3.08					3.7			1.25	533	131			2.70	3.6	1.60	593					118	2.43	3.5	1.75	676						103	2.13		3.4	1.85	766			91	1.88	3.3	2.00	862	81	1.67	3.2	2.10	1014	69	1.42	3.1	2.20	567	123	2.54	1.4	0.95	GRX67 GRXF67	4P	7.9	12013	185	60	1.10			GR177 GRF177			6P	600	116			2.40							1.5			1.00					706	99			2.04	1.7	1.30	774	90	1.86			1.8	1.35	894	78	1.61			2.0	1.40	1029	68	1.40	2.0	1.50	5.2	19255	187.15	114	0.90	GR167 GRF167	6P	4.8	20734	201.53				128	1.70		GR177 GRF177	4P			6.4	15603			151.66															114	1.05	6.9	14424	140.20	114	1.20	7.9	12616	122.62	114	1.35	6.3	15823	231.49			114	1.05	7.8	12793	187.15	114	1.30	9.6	10367	151.66	114	1.60	10	9583	140.20	114	1.75	12	8382	122.62	114	2.00	14	7168	104.87	114	2.30	16	6369	93.17	114	2.70	18	5693	83.28	114	3.00	6.6	15097	146.74	34	0.80	GR167 GRF167	4P	8.0	12532	183.34	128			2.80			GR177 GRF177		4P				8.1	12266	119.22									59	1.00				8.9	11182				108.69	61	1.10	10	9750	94.77	64	1.25	12	8577	83.37			66	1.40	8.9	11177	163.51	61	1.10	9.9	10030	146.74	63	1.20	12	8149	119.22	65	1.50	13	7429	108.69	66	1.65	15	6478	94.77	67	1.90	18	5699	83.37	68	2.10	21	4844	70.87	69	2.50	22	4566	66.80	69	2.70	24	4163	60.90	70	2.90	28	3629	53.09	70	3.40	10	9662	141.35	22	0.80	GR147 GRF147	6P	11	8775			128.38	45	0.85							GR137 GRF137	4P	11			8775	128.38					45	0.85	13	7786	113.90	50	0.95	14	7065	103.36	52	1.05			16	6073	88.85	53	1.25	10	9662			141.35	22	0.80																																																						
436	160	3.30	6.6	3.60	493	142	2.92	6.4	4.10	320	218	4.50	5.5	1.30	GRX87 GRXF87	4P	5.9	16104	248	25	0.80			GR147R87 GRF147R87	4P	381	183	3.78					5.3	1.60	414					169	3.48	5.1					2.30	466	150			3.09	5.0	2.60	522			134	2.76	4.9			2.90	581	120	2.48	4.7			3.30	670			104	2.15	4.5	3.60	746	94			1.93	4.4	3.70	900	78	1.60	4.2	3.90	1036	67	1.39	4.0	4.20	443	158	3.25	3.6	1.10	GRX77 GRXF77	4P	7.0	13637	210			55	0.95	GR177 GRF177	8P	468					149			3.08	3.7					1.25			533	131	2.70			3.6	1.60	593	118					2.43	3.5	1.75	676	103	2.13					3.4	1.85	766	91	1.88	3.3			2.00	862	81	1.67	3.2	2.10	1014	69	1.42	3.1	2.20	567	123	2.54	1.4	0.95	GRX67 GRXF67	4P	7.9			12013	185	60	1.10	GR177 GRF177							6P	600			116							2.40			1.5					1.00	706			99	2.04	1.7	1.30	774	90			1.86	1.8	1.35	894	78	1.61	2.0	1.40	1029	68	1.40	2.0	1.50	5.2	19255	187.15	114	0.90	GR167 GRF167			6P	4.8	20734				201.53	128						1.70	GR177 GRF177			4P															6.4	15603	151.66	114	1.05	6.9	14424	140.20	114	1.20	7.9	12616	122.62	114	1.35	6.3	15823	231.49	114	1.05	7.8	12793	187.15	114	1.30	9.6	10367	151.66	114	1.60	10	9583	140.20	114	1.75	12	8382	122.62	114	2.00	14	7168	104.87	114	2.30	16	6369	93.17	114	2.70	18	5693	83.28	114	3.00	6.6	15097	146.74	34			0.80	GR167 GRF167	4P	8.0			12532									183.34	128	2.80									GR177 GRF177	4P				8.1	12266				119.22	59	1.00	8.9	11182	108.69	61	1.10	10	9750	94.77	64	1.25	12	8577	83.37	66	1.40	8.9	11177	163.51	61	1.10	9.9	10030	146.74	63	1.20	12	8149	119.22	65	1.50	13	7429	108.69	66	1.65	15	6478	94.77	67	1.90	18	5699	83.37	68	2.10	21	4844	70.87	69	2.50	22	4566	66.80	69	2.70	24	4163	60.90	70	2.90	28	3629	53.09	70	3.40	10	9662			141.35	22			0.80	GR147 GRF147	6P									11		8775	128.38	45	0.85				GR137 GRF137	4P	11	8775	128.38	45	0.85	13	7786	113.90	50	0.95			14	7065	103.36	52	1.05	16	6073	88.85	53	1.25	10	9662	141.35	22	0.80																																																			
493	142	2.92	6.4	4.10	320	218	4.50	5.5	1.30	GRX87 GRXF87	4P	5.9	16104	248			25	0.80	GR147R87 GRF147R87	4P	381					183	3.78	5.3					1.60	414	169					3.48	5.1	2.30					466	150	3.09	5.0	2.60	522	134	2.76	4.9			2.90	581	120			2.48	4.7	3.30	670	104			2.15	4.5			3.60	746	94	1.93	4.4	3.70	900	78	1.60	4.2	3.90	1036	67	1.39	4.0	4.20	443	158	3.25	3.6	1.10	GRX77 GRXF77	4P	7.0	13637	210			55	0.95	GR177 GRF177			8P	468			149					3.08			3.7	1.25					533			131	2.70	3.6	1.60	593	118	2.43	3.5	1.75					676	103	2.13	3.4	1.85	766					91	1.88	3.3	2.00	862	81	1.67	3.2	2.10	1014	69	1.42	3.1	2.20	567	123	2.54	1.4	0.95	GRX67 GRXF67	4P	7.9	12013	185			60			1.10	GR177 GRF177	6P	600									116			2.40					1.5	1.00	706			99					2.04	1.7			1.30	774	90	1.86	1.8	1.35	894	78	1.61	2.0	1.40	1029	68	1.40	2.0	1.50	5.2	19255	187.15	114	0.90	GR167 GRF167	6P	4.8	20734	201.53					128	1.70				GR177 GRF177	4P						6.4					15603			151.66									114	1.05	6.9	14424	140.20	114	1.20	7.9	12616	122.62	114	1.35	6.3	15823	231.49	114	1.05	7.8	12793	187.15	114	1.30	9.6	10367	151.66	114	1.60	10	9583	140.20	114	1.75	12	8382	122.62	114	2.00	14	7168	104.87	114	2.30	16	6369	93.17	114	2.70	18	5693	83.28	114	3.00	6.6	15097	146.74	34	0.80	GR167 GRF167	4P	8.0	12532			183.34			128			2.80									GR177 GRF177	4P	8.1	12266	119.22												59	1.00		8.9	11182	108.69	61	1.10	10	9750	94.77	64	1.25	12	8577	83.37	66	1.40	8.9	11177	163.51	61	1.10	9.9	10030	146.74	63	1.20	12	8149	119.22	65	1.50	13	7429	108.69	66	1.65	15	6478	94.77	67	1.90	18	5699	83.37	68	2.10	21	4844	70.87	69	2.50	22	4566	66.80	69	2.70	24	4163	60.90	70	2.90	28	3629	53.09	70	3.40	10	9662	141.35	22	0.80	GR147 GRF147	6P			11	8775			128.38											45	0.85	GR137 GRF137	4P	11	8775	128.38					45	0.85	13	7786	113.90	50	0.95	14	7065	103.36	52	1.05	16	6073	88.85	53	1.25	10	9662	141.35	22	0.80																																																								
320	218	4.50	5.5	1.30	GRX87 GRXF87	4P	5.9	16104	248			25	0.80	GR147R87 GRF147R87			4P																																																																																																																																																																																																																																																																																																																																																																																																																																																																																																																																																		
381	183	3.78	5.3	1.60			414	169	3.48			5.1	2.30					466			150					3.09	5.0	2.60					522	134	2.76			4.9	2.90	581	120	2.48			4.7	3.30	670	104	2.15	4.5	3.60	746	94	1.93	4.4			3.70	900	78			1.60	4.2	3.90	1036	67	1.39	4.0	4.20	443	158	3.25	3.6	1.10	GRX77 GRXF77	4P	7.0	13637	210	55	0.95	GR177 GRF177	8P	468	149	3.08	3.7	1.25	533	131	2.70	3.6	1.60			593	118	2.43			3.5	1.75					676			103					2.13			3.4	1.85	766			91	1.88	3.3	2.00	862	81	1.67	3.2	2.10	1014	69	1.42	3.1					2.20	567	123	2.54	1.4	0.95	GRX67 GRXF67	4P	7.9	12013	185	60	1.10	GR177 GRF177	6P	600	116	2.40	1.5	1.00	706	99	2.04	1.7	1.30	774	90	1.86	1.8			1.35	894	78			1.61			2.0			1.40									1029			68	1.40	2.0	1.50	5.2	19255	187.15	114			0.90			GR167 GRF167	6P	4.8	20734	201.53	128	1.70	GR177 GRF177	4P	6.4	15603	151.66	114	1.05	6.9	14424	140.20	114	1.20	7.9	12616	122.62	114	1.35	6.3	15823	231.49			114	1.05	7.8					12793	187.15											114		1.30	9.6		10367			151.66	114	1.60	10	9583	140.20			114	1.75	12	8382	122.62	114	2.00	14	7168	104.87	114	2.30	16	6369	93.17	114	2.70	18	5693	83.28	114	3.00	6.6	15097	146.74	34	0.80	GR167 GRF167	4P	8.0	12532	183.34	128	2.80	GR177 GRF177	4P	8.1	12266	119.22	59	1.00	8.9	11182	108.69	61	1.10	10	9750	94.77	64	1.25	12	8577	83.37	66	1.40	8.9	11177			163.51	61			1.10			9.9			10030							146.74	63			1.20	12	8149	119.22			65	1.50	13					7429	108.69	66	1.65	15	6478	94.77	67	1.90	18	5699	83.37	68	2.10	21	4844	70.87	69	2.50	22	4566	66.80	69	2.70	24	4163	60.90	70	2.90	28	3629	53.09	70	3.40	10	9662	141.35	22	0.80	GR147 GRF147	6P	11	8775	128.38	45	0.85	GR137 GRF137	4P	11	8775	128.38	45	0.85	13	7786	113.90	50	0.95	14	7065	103.36	52	1.05	16	6073	88.85	53	1.25	10	9662	141.35	22	0.80																																																																																																													
414	169	3.48	5.1	2.30			466	150	3.09			5.0	2.60					522			134					2.76	4.9	2.90			581	120	2.48	4.7	3.30			670	104	2.15	4.5	3.60			746	94	1.93	4.4	3.70	900	78	1.60	4.2	3.90	1036			67	1.39	4.0	4.20	443	158	3.25	3.6	1.10	GRX77 GRXF77	4P	7.0	13637	210	55	0.95	GR177 GRF177	8P			468	149	3.08	3.7	1.25			533	131	2.70	3.6	1.60	593	118	2.43	3.5	1.75			676	103	2.13			3.4	1.85					766			91			1.88	3.3	2.00			862	81	1.67			3.2	2.10	1014	69	1.42	3.1	2.20	567	123	2.54	1.4	0.95	GRX67 GRXF67		4P		7.9	12013	185	60	1.10	GR177 GRF177	6P			600	116	2.40	1.5	1.00			706	99	2.04	1.7	1.30	774	90	1.86	1.8	1.35	894	78	1.61	2.0			1.40	1029	68			1.40			2.0			1.50				5.2			19255		187.15			114	0.90	GR167 GRF167	6P	4.8	20734	201.53	128	1.70	GR177 GRF177	4P					6.4	15603	151.66	114	1.05			6.9	14424	140.20	114	1.20	7.9	12616	122.62	114	1.35	6.3	15823	231.49	114	1.05	7.8	12793	187.15			114	1.30	9.6					10367	151.66							114	1.60			10		9583	140.20		114	1.75	12	8382	122.62	114	2.00	14	7168			104.87	114	2.30	16	6369	93.17	114	2.70	18	5693	83.28	114	3.00	6.6	15097	146.74	34	0.80	GR167 GRF167	4P	8.0	12532	183.34	128	2.80	GR177 GRF177	4P			8.1	12266	119.22	59	1.00			8.9	11182	108.69	61	1.10	10	9750	94.77	64	1.25	12	8577	83.37	66	1.40	8.9	11177	163.51	61	1.10	9.9	10030			146.74	63			1.20			12			8149			119.22		65		1.50	13			7429	108.69	66	1.65	15	6478	94.77	67	1.90					18	5699	83.37	68	2.10	21	4844	70.87	69	2.50	22	4566	66.80	69	2.70	24	4163	60.90	70	2.90	28	3629	53.09	70	3.40	10	9662	141.35	22	0.80	GR147 GRF147	6P	11	8775	128.38	45	0.85	GR137 GRF137	4P			11	8775	128.38	45	0.85			13	7786	113.90	50	0.95	14	7065	103.36	52	1.05	16	6073	88.85	53	1.25	10	9662	141.35	22	0.80																																																																																																																		
466	150	3.09	5.0	2.60			522	134	2.76			4.9	2.90					581			120			2.48	4.7	3.30	670	104			2.15	4.5	3.60	746	94			1.93	4.4	3.70	900	78			1.60	4.2	3.90	1036	67	1.39	4.0	4.20	443	158	3.25	3.6	1.10	GRX77 GRXF77	4P	7.0	13637	210	55	0.95	GR177 GRF177	8P			468	149	3.08	3.7	1.25					533	131	2.70	3.6	1.60			593	118	2.43	3.5	1.75	676	103	2.13	3.4	1.85			766	91	1.88			3.3	2.00					862	81	1.67	3.2			2.10	1014	69			1.42	3.1	2.20			567	123	2.54	1.4	0.95	GRX67 GRXF67	4P	7.9	12013	185	60	1.10		GR177 GRF177		6P	600	116	2.40	1.5	1.00					706	99	2.04	1.7	1.30			774	90	1.86	1.8	1.35	894	78	1.61	2.0	1.40	1029	68	1.40	2.0			1.50	5.2	19255			187.15			114			0.90	GR167 GRF167			6P			4.8	20734	201.53			128	1.70			GR177 GRF177	4P	6.4	15603	151.66			114	1.05			6.9	14424	140.20	114	1.20			7.9	12616	122.62	114	1.35	6.3	15823	231.49	114	1.05	7.8	12793	187.15	114	1.30	9.6	10367	151.66			114	1.60	10					9583	140.20							114	1.75			12	8382	122.62	114	2.00	14	7168	104.87	114	2.30	16	6369	93.17	114	2.70	18	5693	83.28	114	3.00	6.6	15097	146.74	34	0.80	GR167 GRF167	4P	8.0	12532	183.34	128	2.80	GR177 GRF177	4P			8.1	12266	119.22	59	1.00					8.9	11182	108.69	61	1.10			10	9750	94.77	64	1.25	12	8577	83.37	66	1.40	8.9	11177	163.51	61	1.10	9.9	10030	146.74	63	1.20	12	8149			119.22	65			1.50			13			7429			108.69		66		1.65	15			6478	94.77	67	1.90	18	5699	83.37	68	2.10	21	4844	70.87	69	2.50	22	4566	66.80	69	2.70	24	4163	60.90	70	2.90	28	3629	53.09	70	3.40	10	9662	141.35	22	0.80	GR147 GRF147	6P	11	8775	128.38	45	0.85	GR137 GRF137	4P			11	8775	128.38	45	0.85					13	7786	113.90	50	0.95			14	7065	103.36	52	1.05	16	6073	88.85	53	1.25	10	9662	141.35	22	0.80																																																																																																																							
522	134	2.76	4.9	2.90			581	120	2.48			4.7	3.30					670	104	2.15	4.5			3.60	746	94	1.93	4.4			3.70	900	78	1.60	4.2			3.90	1036	67	1.39	4.0	4.20	443	158	3.25	3.6	1.10	GRX77 GRXF77	4P	7.0	13637	210	55	0.95	GR177 GRF177	8P			468	149	3.08	3.7	1.25					533	131	2.70	3.6	1.60					593	118	2.43	3.5	1.75			676	103	2.13	3.4	1.85	766	91	1.88	3.3	2.00			862	81	1.67			3.2	2.10	1014			69	1.42	3.1	2.20	567			123	2.54	1.4			0.95	GRX67 GRXF67	4P	7.9	12013	185	60	1.10	GR177 GRF177	6P			600	116	2.40	1.5	1.00					706	99	2.04	1.7	1.30					774	90	1.86	1.8	1.35			894	78	1.61	2.0	1.40	1029	68	1.40	2.0	1.50	5.2	19255	187.15	114			0.90	GR167 GRF167	6P			4.8			20734	201.53	128	1.70							GR177 GRF177	4P	6.4	15603	151.66	114	1.05					6.9	14424	140.20			114	1.20			7.9	12616	122.62	114	1.35			6.3	15823	231.49	114	1.05	7.8	12793	187.15	114	1.30	9.6	10367	151.66	114	1.60	10	9583	140.20			114	1.75	12					8382	122.62				114	2.00		14	7168	104.87	114	2.30	16	6369	93.17	114	2.70	18	5693	83.28	114	3.00	6.6	15097	146.74	34	0.80	GR167 GRF167	4P	8.0	12532	183.34	128	2.80	GR177 GRF177	4P			8.1	12266	119.22	59	1.00					8.9	11182	108.69	61	1.10					10	9750	94.77	64	1.25			12	8577	83.37	66	1.40	8.9	11177	163.51	61	1.10	9.9	10030	146.74	63	1.20	12	8149	119.22	65	1.50	13	7429			108.69	66			1.65			15			6478			94.77	67	1.90	18	5699	83.37	68	2.10	21	4844	70.87	69	2.50	22	4566	66.80	69	2.70	24	4163	60.90	70	2.90	28	3629	53.09	70	3.40	10	9662	141.35	22	0.80	GR147 GRF147	6P	11	8775	128.38	45	0.85	GR137 GRF137	4P			11	8775	128.38	45	0.85					13	7786	113.90	50	0.95					14	7065	103.36	52	1.05			16	6073	88.85	53	1.25	10	9662	141.35	22	0.80																																																																																																																												
581	120	2.48	4.7	3.30			670	104	2.15			4.5	3.60	746			94	1.93	4.4	3.70	900			78	1.60	4.2	3.90	1036			67	1.39	4.0	4.20	443	158	3.25	3.6	1.10	GRX77 GRXF77	4P	7.0	13637	210	55	0.95	GR177 GRF177	8P			468	149	3.08	3.7	1.25					533	131	2.70	3.6	1.60					593	118	2.43	3.5	1.75					676	103	2.13	3.4	1.85			766	91	1.88	3.3	2.00	862	81	1.67	3.2	2.10			1014	69	1.42			3.1	2.20	567			123	2.54	1.4	0.95	GRX67 GRXF67			4P	7.9	12013	185	60	1.10			GR177 GRF177	6P	600	116	2.40					1.5	1.00	706	99	2.04					1.7	1.30	774	90	1.86					1.8	1.35	894	78	1.61			2.0	1.40	1029	68	1.40	2.0	1.50	5.2	19255	187.15	114	0.90	GR167 GRF167	6P			4.8					20734			201.53	128	1.70	GR177 GRF177					4P	6.4			15603	151.66	114	1.05	6.9					14424	140.20	114			1.20	7.9			12616	122.62	114	1.35	6.3			15823	231.49	114	1.05	7.8	12793	187.15	114	1.30	9.6	10367	151.66	114	1.60	10	9583	140.20	114			1.75	12	8382					122.62	114		2.00	14	7168	104.87		114	2.30	16	6369	93.17	114	2.70	18	5693	83.28	114	3.00	6.6	15097	146.74	34	0.80	GR167 GRF167	4P	8.0			12532	183.34	128	2.80	GR177 GRF177					4P	8.1	12266	119.22	59					1.00	8.9	11182	108.69	61					1.10	10	9750	94.77	64			1.25	12	8577	83.37	66	1.40	8.9	11177	163.51	61	1.10	9.9	10030	146.74	63	1.20	12	8149	119.22	65	1.50	13			7429	108.69			66			1.65	15	6478	94.77			67	1.90	18	5699	83.37	68	2.10	21	4844	70.87	69	2.50	22	4566	66.80	69	2.70	24	4163	60.90	70	2.90	28	3629	53.09	70	3.40	10	9662	141.35	22	0.80	GR147 GRF147			6P	11	8775	128.38	45					0.85	GR137 GRF137	4P	11	8775					128.38	45	0.85	13	7786					113.90	50	0.95	14	7065			103.36	52	1.05	16	6073	88.85	53	1.25	10	9662	141.35	22	0.80																																																																																																																									
670	104	2.15	4.5	3.60			746	94	1.93			4.4	3.70	900			78	1.60	4.2	3.90	1036			67	1.39	4.0	4.20	443	158	3.25	3.6	1.10	GRX77 GRXF77	4P	7.0	13637	210	55	0.95			GR177 GRF177	8P	468	149	3.08					3.7	1.25	533	131	2.70					3.6	1.60	593	118	2.43					3.5	1.75	676	103	2.13					3.4	1.85	766	91	1.88	3.3	2.00	862	81	1.67	3.2	2.10	1014	69	1.42	3.1	2.20			567	123	2.54			1.4	0.95	GRX67 GRXF67			4P	7.9	12013	185		60	1.10		GR177 GRF177	6P	600	116	2.40					1.5	1.00	706					99	2.04	1.7	1.30	774					90	1.86	1.8	1.35	894					78	1.61	2.0	1.40	1029	68	1.40	2.0	1.50	5.2	19255	187.15	114	0.90	GR167 GRF167	6P	4.8	20734	201.53					128					1.70			GR177 GRF177	4P	6.4			15603	151.66			114			1.05	6.9	14424	140.20	114					1.20	7.9	12616			122.62	114			1.35	6.3	15823	231.49	114	1.05	7.8	12793	187.15	114	1.30	9.6	10367	151.66	114	1.60	10	9583	140.20	114	1.75	12	8382	122.62	114			2.00	14	7168					104.87	114	2.30	16	6369	93.17	114	2.70	18	5693	83.28	114	3.00	6.6	15097	146.74	34	0.80	GR167 GRF167	4P	8.0	12532	183.34	128	2.80			GR177 GRF177			4P	8.1	12266	119.22							59	1.00	8.9	11182					108.69	61	1.10	10	9750					94.77	64	1.25	12	8577	83.37	66	1.40	8.9	11177	163.51	61	1.10	9.9	10030	146.74	63	1.20	12	8149	119.22	65	1.50	13	7429	108.69	66	1.65	15			6478	94.77			67			1.90	18	5699	83.37	68	2.10	21	4844	70.87	69	2.50	22	4566	66.80	69	2.70	24	4163	60.90	70	2.90	28	3629	53.09	70	3.40	10	9662	141.35	22	0.80	GR147 GRF147	6P	11	8775	128.38	45	0.85					GR137 GRF137	4P	11	8775					128.38			45	0.85					13	7786	113.90	50	0.95					14	7065	103.36	52	1.05	16	6073	88.85	53	1.25	10	9662	141.35	22	0.80																																																																																																																														
746	94	1.93	4.4	3.70			900	78	1.60			4.2	3.90	1036			67	1.39	4.0	4.20	443	158	3.25	3.6	1.10	GRX77 GRXF77	4P	7.0	13637	210	55	0.95			GR177 GRF177	8P	468	149	3.08					3.7	1.25	533					131	2.70	3.6	1.60	593					118	2.43	3.5	1.75	676					103	2.13	3.4	1.85	766	91	1.88			3.3	2.00	862	81	1.67	3.2	2.10	1014	69	1.42	3.1	2.20	567	123	2.54	1.4	0.95			GRX67 GRXF67	4P	7.9			12013	185		60	1.10		GR177 GRF177	6P	600		116	2.40				1.5	1.00	706					99	2.04	1.7					1.30	774	90	1.86	1.8					1.35	894	78	1.61	2.0	1.40	1029			68	1.40	2.0	1.50	5.2	19255	187.15	114	0.90	GR167 GRF167	6P	4.8	20734	201.53			128	1.70	GR177 GRF177					4P					6.4	15603	151.66			114			1.05	6.9			14424			140.20	114	1.20	7.9	12616					122.62	114	1.35	6.3	15823	231.49	114			1.05	7.8	12793	187.15	114	1.30	9.6	10367	151.66	114	1.60	10	9583	140.20	114	1.75	12	8382	122.62	114	2.00	14	7168	104.87	114			2.30	16	6369		93.17	114		2.70	18	5693	83.28	114	3.00	6.6	15097	146.74	34	0.80	GR167 GRF167	4P	8.0	12532	183.34	128	2.80			GR177 GRF177	4P	8.1	12266	119.22							59	1.00	8.9							11182	108.69	61	1.10					10	9750	94.77	64	1.25	12	8577			83.37	66	1.40	8.9	11177	163.51	61	1.10	9.9	10030	146.74	63	1.20	12	8149	119.22	65	1.50	13	7429	108.69	66	1.65	15	6478	94.77	67	1.90	18			5699	83.37	68	2.10	21			4844	70.87	69	2.50	22	4566	66.80	69	2.70	24	4163	60.90	70	2.90	28	3629	53.09	70	3.40	10	9662	141.35	22	0.80	GR147 GRF147	6P	11	8775	128.38	45	0.85			GR137 GRF137	4P	11	8775	128.38							45	0.85					13			7786	113.90					50	0.95	14	7065	103.36	52	1.05	16	6073	88.85	53	1.25	10	9662	141.35	22	0.80																																																																																																																																					
900	78	1.60	4.2	3.90			1036	67	1.39			4.0	4.20	443	158	3.25	3.6	1.10	GRX77 GRXF77	4P	7.0	13637	210	55	0.95			GR177 GRF177	8P	468	149	3.08					3.7	1.25	533					131	2.70	3.6					1.60	593	118	2.43	3.5					1.75	676	103	2.13	3.4	1.85	766			91	1.88	3.3	2.00	862	81	1.67			3.2	2.10	1014	69	1.42	3.1	2.20	567	123	2.54	1.4	0.95	GRX67 GRXF67	4P	7.9	12013	185					60	1.10	GR177 GRF177	6P	600		116	2.40				1.5		1.00	706				99	2.04	1.7					1.30	774	90					1.86	1.8	1.35	894	78		1.61		2.0	1.40	1029	68	1.40	2.0	1.50	5.2			19255	187.15	114	0.90	GR167 GRF167	6P	4.8	20734	201.53			128	1.70	GR177 GRF177			4P	6.4									15603	151.66	114	1.05	6.9			14424			140.20	114			1.20			7.9	12616	122.62	114	1.35			6.3	15823	231.49	114	1.05	7.8	12793	187.15	114			1.30	9.6	10367	151.66	114	1.60	10	9583	140.20	114	1.75	12	8382	122.62	114	2.00	14	7168	104.87	114	2.30	16	6369	93.17	114			2.70	18	5693	83.28	114	3.00	6.6	15097	146.74	34	0.80	GR167 GRF167	4P	8.0	12532	183.34	128	2.80			GR177 GRF177	4P	8.1	12266	119.22					59	1.00	8.9							11182	108.69	61							1.10	10	9750	94.77	64	1.25			12	8577	83.37	66	1.40	8.9	11177			163.51	61	1.10	9.9	10030	146.74	63	1.20	12	8149	119.22	65	1.50	13	7429	108.69	66	1.65	15	6478	94.77	67	1.90	18	5699	83.37	68	2.10	21			4844	70.87	69	2.50	22	4566	66.80	69	2.70	24	4163	60.90	70	2.90	28	3629	53.09	70	3.40	10	9662	141.35	22	0.80	GR147 GRF147	6P	11	8775	128.38	45	0.85			GR137 GRF137	4P	11	8775	128.38					45	0.85	13							7786	113.90					50			0.95	14	7065	103.36	52	1.05	16	6073	88.85	53	1.25	10	9662	141.35	22	0.80																																																																																																																																												
1036	67	1.39	4.0	4.20			443	158	3.25	3.6	1.10	GRX77 GRXF77	4P	7.0	13637	210	55	0.95			GR177 GRF177	8P	468	149	3.08					3.7	1.25	533					131	2.70	3.6					1.60	593	118					2.43	3.5	1.75	676	103	2.13	3.4			1.85	766	91	1.88	3.3	2.00	862			81	1.67	3.2	2.10	1014	69	1.42			3.1	2.20	567	123	2.54	1.4	0.95	GRX67 GRXF67	4P	7.9	12013	185			60	1.10	GR177 GRF177	6P	600			116	2.40			1.5		1.00	706				99		2.04	1.7				1.30	774	90					1.86	1.8	1.35	894	78			1.61	2.0	1.40	1029	68		1.40		2.0	1.50	5.2	19255	187.15	114	0.90	GR167 GRF167			6P	4.8	20734	201.53			128	1.70	GR177 GRF177			4P	6.4					15603				151.66	114				1.05	6.9	14424	140.20	114			1.20			7.9	12616			122.62	114	1.35	6.3	15823	231.49	114	1.05			7.8	12793	187.15	114	1.30	9.6	10367	151.66	114			1.60	10	9583	140.20	114	1.75	12	8382	122.62	114	2.00	14	7168	104.87	114	2.30	16	6369	93.17	114	2.70	18	5693	83.28	114	3.00	6.6	15097	146.74	34	0.80	GR167 GRF167	4P	8.0	12532	183.34	128	2.80			GR177 GRF177	4P	8.1	12266	119.22					59	1.00	8.9					11182	108.69	61							1.10	10	9750		94.77	64				1.25	12	8577	83.37	66	1.40			8.9	11177	163.51	61	1.10	9.9	10030			146.74	63	1.20	12	8149	119.22	65	1.50	13	7429	108.69	66	1.65	15	6478	94.77	67	1.90	18	5699	83.37	68	2.10	21	4844	70.87	69	2.50	22	4566	66.80	69	2.70	24	4163	60.90	70	2.90	28	3629	53.09	70	3.40	10	9662	141.35	22	0.80	GR147 GRF147	6P	11	8775	128.38	45	0.85			GR137 GRF137	4P	11	8775	128.38					45	0.85	13					7786	113.90	50							0.95	14	7065	103.36	52	1.05	16			6073	88.85	53	1.25	10	9662	141.35	22	0.80																																																																																																																																																			
443	158	3.25	3.6	1.10	GRX77 GRXF77	4P	7.0	13637	210	55	0.95			GR177 GRF177	8P																																																																																																																																																																																																																																																																																																																																																																																																																																																																																																																																																				
468	149	3.08	3.7	1.25			533	131	2.70	3.6	1.60					593	118	2.43					3.5	1.75	676					103	2.13	3.4					1.85	766	91			1.88	3.3	2.00	862	81	1.67	3.2			2.10	1014	69	1.42	3.1	2.20	567			123	2.54	1.4	0.95	GRX67 GRXF67	4P	7.9			12013	185	60	1.10	GR177 GRF177	6P	600	116	2.40	1.5	1.00	706	99	2.04	1.7	1.30			774	90	1.86			1.8	1.35			894			78	1.61			2.0		1.40	1029				68		1.40	2.0		1.50	5.2	19255	187.15	114			0.90	GR167 GRF167	6P	4.8	20734	201.53	128			1.70	GR177 GRF177	4P	6.4	15603		151.66		114	1.05	6.9	14424	140.20	114	1.20		7.9	12616		122.62	114	1.35			6.3	15823					231.49					114				1.05	7.8				12793	187.15	114	1.30	9.6	10367	151.66	114	1.60		10	9583		140.20	114	1.75	12	8382	122.62	114	2.00	14			7168	104.87	114	2.30	16	6369	93.17	114	2.70	18	5693	83.28	114	3.00	6.6	15097	146.74	34	0.80	GR167 GRF167	4P	8.0	12532	183.34	128	2.80	GR177 GRF177	4P	8.1	12266	119.22	59	1.00	8.9	11182	108.69	61	1.10	10	9750	94.77	64			1.25	12	8577	83.37	66					1.40	8.9	11177					163.51	61	1.10					9.9	10030	146.74			63			1.20	12	8149	119.22	65	1.50	13			7429	108.69	66	1.65	15	6478	94.77			67	1.90	18	5699	83.37	68	2.10	21	4844	70.87	69	2.50	22	4566	66.80	69	2.70	24	4163	60.90	70	2.90	28	3629	53.09	70	3.40	10	9662	141.35	22	0.80	GR147 GRF147	6P	11	8775	128.38	45	0.85	GR137 GRF137	4P	11	8775	128.38	45	0.85	13	7786	113.90	50	0.95	14	7065	103.36	52	1.05	16			6073	88.85	53	1.25	10					9662	141.35	22					0.80																																																																																																																																																																																				
533	131	2.70	3.6	1.60			593	118	2.43	3.5	1.75					676	103	2.13					3.4	1.85	766					91	1.88	3.3			2.00	862	81	1.67	3.2			2.10	1014	69	1.42	3.1	2.20	567			123	2.54	1.4	0.95	GRX67 GRXF67	4P	7.9			12013	185	60	1.10			GR177 GRF177	6P	600	116	2.40	1.5	1.00			706	99	2.04	1.7	1.30	774	90	1.86	1.8	1.35			894	78	1.61			2.0	1.40			1029			68	1.40			2.0		1.50	5.2		19255	187.15	114		0.90	GR167 GRF167		6P	4.8	20734	201.53	128			1.70			GR177 GRF177	4P	6.4	15603			151.66			114	1.05	6.9	14424	140.20	114	1.20	7.9	12616	122.62	114	1.35		6.3	15823		231.49	114	1.05			7.8	12793					187.15					114	1.30			9.6	10367	151.66			114	1.60	10	9583	140.20	114	1.75	12	8382		122.62	114		2.00	14	7168	104.87	114	2.30	16	6369	93.17	114	2.70	18	5693	83.28	114	3.00	6.6	15097	146.74	34	0.80	GR167 GRF167	4P	8.0	12532	183.34	128	2.80	GR177 GRF177	4P			8.1	12266	119.22	59	1.00			8.9	11182	108.69	61	1.10	10	9750	94.77	64	1.25	12	8577	83.37	66			1.40	8.9	11177	163.51	61					1.10	9.9	10030					146.74	63	1.20			12	8149	119.22	65	1.50			13			7429	108.69	66	1.65	15	6478	94.77			67	1.90	18	5699	83.37	68	2.10	21	4844	70.87	69	2.50	22	4566	66.80	69	2.70	24	4163	60.90	70	2.90	28	3629	53.09	70	3.40	10	9662	141.35	22	0.80	GR147 GRF147	6P	11	8775	128.38	45	0.85	GR137 GRF137	4P			11	8775	128.38	45	0.85			13	7786	113.90	50	0.95	14	7065	103.36	52	1.05	16	6073	88.85	53	1.25	10			9662	141.35	22	0.80																																																																																																																																																																																																	
593	118	2.43	3.5	1.75			676	103	2.13	3.4	1.85					766	91	1.88					3.3	2.00	862			81	1.67	3.2	2.10	1014			69	1.42	3.1	2.20	567			123	2.54	1.4	0.95	GRX67 GRXF67	4P	7.9			12013	185	60	1.10			GR177 GRF177	6P	600	116	2.40	1.5	1.00					706	99	2.04	1.7	1.30			774	90	1.86	1.8	1.35	894	78	1.61	2.0	1.40			1029	68	1.40			2.0	1.50			5.2			19255	187.15	114	0.90	GR167 GRF167		6P	4.8		20734	201.53	128		1.70				GR177 GRF177	4P	6.4	15603			151.66					114	1.05	6.9	14424	140.20			114	1.20	7.9	12616	122.62	114	1.35	6.3	15823	231.49	114	1.05		7.8	12793		187.15	114	1.30			9.6	10367					151.66	114			1.60	10	9583			140.20	114	1.75			12	8382	122.62	114	2.00	14	7168	104.87	114	2.30	16	6369	93.17	114	2.70	18	5693	83.28	114	3.00	6.6	15097	146.74	34	0.80	GR167 GRF167	4P	8.0	12532	183.34	128	2.80	GR177 GRF177	4P			8.1	12266	119.22	59	1.00					8.9	11182	108.69	61	1.10			10	9750	94.77	64	1.25	12	8577	83.37	66	1.40	8.9	11177	163.51	61			1.10	9.9	10030	146.74	63					1.20	12	8149			119.22	65	1.50	13	7429			108.69	66	1.65	15	6478			94.77			67	1.90	18	5699	83.37	68	2.10	21	4844	70.87	69	2.50	22	4566	66.80	69	2.70	24	4163	60.90	70	2.90	28	3629	53.09	70	3.40	10	9662	141.35	22	0.80	GR147 GRF147	6P	11	8775	128.38	45	0.85	GR137 GRF137	4P			11	8775	128.38	45	0.85					13	7786	113.90	50	0.95			14	7065	103.36	52	1.05	16	6073	88.85	53	1.25	10	9662	141.35	22	0.80																																																																																																																																																																																																								
676	103	2.13	3.4	1.85			766	91	1.88	3.3	2.00					862	81	1.67			3.2	2.10	1014	69	1.42			3.1	2.20	567	123	2.54			1.4	0.95	GRX67 GRXF67	4P	7.9			12013	185	60	1.10			GR177 GRF177	6P	600	116	2.40	1.5	1.00					706	99	2.04	1.7	1.30					774	90	1.86	1.8	1.35			894	78	1.61	2.0	1.40	1029	68	1.40	2.0	1.50			5.2	19255	187.15			114	0.90	GR167 GRF167	6P	4.8			20734	201.53	128	1.70				GR177 GRF177		4P	6.4	15603		151.66						114	1.05	6.9	14424	140.20					114	1.20	7.9	12616	122.62			114	1.35	6.3	15823	231.49	114	1.05	7.8	12793	187.15	114	1.30		9.6	10367		151.66	114	1.60			10	9583	140.20			114	1.75	12			8382	122.62	114			2.00	14	7168	104.87	114	2.30	16	6369	93.17	114	2.70	18	5693	83.28	114	3.00	6.6	15097	146.74	34	0.80	GR167 GRF167	4P	8.0	12532	183.34	128	2.80	GR177 GRF177	4P			8.1	12266	119.22	59	1.00					8.9	11182	108.69	61	1.10					10	9750	94.77	64	1.25			12	8577	83.37	66	1.40	8.9	11177	163.51	61	1.10	9.9	10030	146.74	63			1.20	12	8149	119.22	65			1.50	13	7429	108.69	66			1.65	15	6478	94.77	67			1.90	18	5699	83.37	68			2.10	21	4844	70.87	69	2.50	22	4566	66.80	69	2.70	24	4163	60.90	70	2.90	28	3629	53.09	70	3.40	10	9662	141.35	22	0.80	GR147 GRF147	6P	11	8775	128.38	45	0.85	GR137 GRF137	4P			11	8775	128.38	45	0.85					13	7786	113.90	50	0.95					14	7065	103.36	52	1.05			16	6073	88.85	53	1.25	10	9662	141.35	22	0.80																																																																																																																																																																																																													
766	91	1.88	3.3	2.00			862	81	1.67	3.2	2.10			1014	69	1.42	3.1	2.20			567	123	2.54	1.4	0.95			GRX67 GRXF67	4P	7.9	12013	185			60	1.10			GR177 GRF177	6P	600	116	2.40	1.5	1.00					706	99	2.04	1.7	1.30					774	90	1.86	1.8	1.35					894	78	1.61	2.0	1.40			1029	68	1.40	2.0	1.50	5.2	19255	187.15	114	0.90			GR167 GRF167	6P	4.8			20734	201.53			128			1.70	GR177 GRF177	4P	6.4							15603	151.66	114	1.05		6.9				14424	140.20	114	1.20	7.9					12616	122.62	114	1.35	6.3			15823	231.49	114	1.05	7.8	12793	187.15	114	1.30	9.6	10367	151.66		114	1.60		10	9583	140.20			114	1.75	12			8382	122.62	114			2.00	14	7168	104.87	114	2.30	16	6369	93.17	114	2.70	18	5693	83.28	114	3.00	6.6	15097	146.74	34	0.80	GR167 GRF167	4P	8.0	12532	183.34			128	2.80	GR177 GRF177	4P	8.1					12266	119.22	59	1.00	8.9					11182	108.69	61	1.10	10					9750	94.77	64	1.25	12			8577	83.37	66	1.40	8.9	11177	163.51	61	1.10	9.9	10030	146.74	63	1.20			12	8149	119.22	65	1.50			13	7429	108.69	66	1.65			15	6478	94.77	67	1.90			18	5699	83.37	68	2.10	21	4844	70.87	69	2.50	22	4566	66.80	69	2.70	24	4163	60.90	70	2.90	28	3629	53.09	70	3.40	10	9662	141.35	22	0.80	GR147 GRF147	6P	11			8775	128.38	45	0.85	GR137 GRF137					4P	11	8775	128.38	45					0.85	13	7786	113.90	50					0.95	14	7065	103.36	52			1.05	16	6073	88.85	53	1.25	10	9662	141.35	22	0.80																																																																																																																																																																																																												
862	81	1.67	3.2	2.10			1014	69	1.42	3.1	2.20			567	123	2.54	1.4	0.95			GRX67 GRXF67	4P	7.9	12013	185					60	1.10	GR177 GRF177	6P	600	116	2.40					1.5	1.00	706	99	2.04					1.7	1.30	774	90	1.86					1.8	1.35	894	78	1.61					2.0	1.40	1029	68	1.40	2.0	1.50	5.2	19255	187.15	114	0.90	GR167 GRF167	6P	4.8	20734	201.53					128			1.70	GR177 GRF177			4P			6.4			15603		151.66			114		1.05	6.9	14424	140.20		114				1.20	7.9	12616	122.62	114					1.35	6.3	15823	231.49	114	1.05	7.8	12793	187.15	114	1.30	9.6	10367	151.66	114	1.60	10	9583	140.20		114	1.75		12	8382	122.62			114	2.00	14			7168	104.87	114	2.30	16	6369	93.17	114	2.70	18	5693	83.28	114	3.00	6.6	15097	146.74	34	0.80	GR167 GRF167	4P	8.0	12532	183.34	128	2.80			GR177 GRF177	4P	8.1			12266	119.22			59					1.00	8.9	11182	108.69	61					1.10	10	9750	94.77	64					1.25	12	8577	83.37	66	1.40	8.9	11177	163.51	61	1.10	9.9	10030	146.74	63	1.20	12	8149	119.22	65	1.50			13	7429	108.69	66	1.65			15	6478	94.77	67	1.90			18	5699	83.37	68	2.10	21	4844	70.87	69	2.50	22	4566	66.80	69	2.70	24	4163	60.90	70	2.90	28	3629	53.09	70	3.40	10	9662	141.35	22	0.80	GR147 GRF147	6P	11	8775	128.38	45	0.85			GR137 GRF137			4P	11	8775	128.38							45	0.85	13	7786					113.90	50	0.95	14	7065					103.36	52	1.05	16	6073	88.85	53	1.25	10	9662	141.35	22	0.80																																																																																																																																																																																																																	
1014	69	1.42	3.1	2.20			567	123	2.54	1.4	0.95			GRX67 GRXF67	4P	7.9	12013	185					60	1.10	GR177 GRF177	6P	600			116	2.40			1.5	1.00	706					99	2.04	1.7	1.30	774					90	1.86	1.8	1.35	894					78	1.61	2.0	1.40	1029			68	1.40	2.0	1.50	5.2	19255	187.15	114	0.90	GR167 GRF167	6P	4.8	20734	201.53			128	1.70	GR177 GRF177					4P			6.4					15603	151.66	114			1.05		6.9			14424		140.20	114	1.20	7.9		12616				122.62	114	1.35	6.3	15823			231.49	114	1.05	7.8	12793	187.15	114	1.30	9.6	10367	151.66	114	1.60	10	9583	140.20	114	1.75	12	8382	122.62		114	2.00		14	7168	104.87			114	2.30	16	6369	93.17	114	2.70	18	5693	83.28	114	3.00	6.6	15097	146.74	34	0.80	GR167 GRF167	4P	8.0	12532	183.34	128	2.80			GR177 GRF177	4P	8.1	12266	119.22					59			1.00	8.9			11182					108.69	61	1.10	10	9750					94.77	64	1.25	12	8577	83.37	66			1.40	8.9	11177	163.51	61	1.10	9.9	10030	146.74	63	1.20	12	8149	119.22	65	1.50	13	7429	108.69	66	1.65			15	6478	94.77	67	1.90			18	5699	83.37	68	2.10	21	4844	70.87	69	2.50	22	4566	66.80	69	2.70	24	4163	60.90	70	2.90	28	3629	53.09	70	3.40	10	9662	141.35	22	0.80	GR147 GRF147	6P	11	8775	128.38	45	0.85			GR137 GRF137	4P	11	8775	128.38							45	0.85	13							7786	113.90	50	0.95					14	7065	103.36	52	1.05	16	6073	88.85	53	1.25	10	9662	141.35	22	0.80																																																																																																																																																																																																																								
567	123	2.54	1.4	0.95			GRX67 GRXF67	4P	7.9	12013	185					60	1.10	GR177 GRF177	6P																																																																																																																																																																																																																																																																																																																																																																																																																																																																																																																																																
600	116	2.40	1.5	1.00					706	99	2.04	1.7	1.30			774	90			1.86			1.8	1.35			894			78	1.61			2.0	1.40	1029					68	1.40	2.0	1.50	5.2			19255	187.15	114	0.90	GR167 GRF167	6P	4.8			20734	201.53	128	1.70	GR177 GRF177	4P	6.4			15603	151.66	114	1.05	6.9	14424	140.20	114	1.20			7.9	12616	122.62			114	1.35		6.3	15823				231.49	114	1.05					7.8	12793	187.15			114		1.30		9.6	10367	151.66	114	1.60	10	9583		140.20		114	1.75	12	8382	122.62	114	2.00			14	7168	104.87	114	2.30	16	6369	93.17	114	2.70	18	5693	83.28	114	3.00	6.6	15097	146.74	34	0.80	GR167 GRF167	4P	8.0	12532	183.34	128	2.80	GR177 GRF177	4P	8.1	12266	119.22	59	1.00	8.9	11182	108.69	61	1.10	10	9750	94.77	64	1.25	12	8577	83.37			66	1.40	8.9	11177	163.51					61	1.10	9.9					10030			146.74	63			1.20	12	8149			119.22	65	1.50	13	7429	108.69	66			1.65	15	6478	94.77	67	1.90	18			5699	83.37	68	2.10	21	4844	70.87	69	2.50	22	4566	66.80	69	2.70	24	4163	60.90	70	2.90	28	3629	53.09	70	3.40	10	9662	141.35	22	0.80	GR147 GRF147	6P	11	8775	128.38	45	0.85	GR137 GRF137	4P	11	8775	128.38	45	0.85	13	7786	113.90	50	0.95	14	7065	103.36	52	1.05	16	6073	88.85	53	1.25	10	9662			141.35	22	0.80																																																																																																																																																																																																																																																																							
706	99	2.04	1.7	1.30	774	90			1.86	1.8	1.35	894	78			1.61	2.0			1.40			1029	68			1.40			2.0	1.50			5.2	19255	187.15			114	0.90	GR167 GRF167	6P	4.8	20734	201.53			128	1.70	GR177 GRF177	4P			6.4			15603	151.66	114	1.05			6.9			14424	140.20	114	1.20	7.9	12616	122.62	114	1.35			6.3	15823	231.49			114	1.05		7.8	12793				187.15	114	1.30					9.6	10367	151.66	114	1.60	10		9583		140.20	114	1.75	12	8382	122.62	114		2.00		14	7168	104.87	114	2.30	16	6369			93.17	114	2.70	18	5693	83.28	114	3.00	6.6	15097	146.74	34	0.80	GR167 GRF167	4P	8.0	12532	183.34	128	2.80			GR177 GRF177	4P	8.1	12266	119.22			59	1.00	8.9	11182	108.69	61	1.10	10	9750	94.77	64	1.25	12	8577	83.37	66	1.40	8.9			11177	163.51	61	1.10	9.9					10030	146.74	63					1.20			12	8149	119.22	65	1.50	13	7429			108.69	66	1.65	15	6478	94.77	67			1.90	18	5699	83.37	68	2.10	21			4844	70.87	69	2.50	22	4566	66.80	69	2.70	24	4163	60.90	70	2.90	28	3629	53.09	70	3.40	10	9662	141.35	22	0.80	GR147 GRF147	6P	11	8775	128.38			45	0.85	GR137 GRF137	4P	11			8775	128.38	45	0.85	13	7786	113.90	50	0.95	14	7065	103.36	52	1.05	16	6073	88.85	53	1.25	10	9662	141.35			22	0.80																																																																																																																																																																																																																																																																								
774	90	1.86	1.8	1.35	894	78			1.61	2.0	1.40	1029	68			1.40	2.0			1.50			5.2	19255			187.15			114	0.90	GR167 GRF167	6P	4.8	20734	201.53			128	1.70			GR177 GRF177	4P	6.4			15603	151.66					114			1.05	6.9	14424	140.20			114	1.20	7.9	12616	122.62	114	1.35	6.3	15823	231.49	114	1.05			7.8	12793	187.15			114	1.30		9.6	10367				151.66	114	1.60	10			9583	140.20	114	1.75	12	8382	122.62		114		2.00	14	7168	104.87	114	2.30	16		6369		93.17	114	2.70	18	5693	83.28	114	3.00	6.6	15097	146.74	34	0.80	GR167 GRF167	4P	8.0	12532	183.34	128	2.80	GR177 GRF177	4P			8.1	12266	119.22	59	1.00					8.9	11182	108.69			61	1.10	10	9750	94.77	64	1.25	12	8577	83.37	66	1.40	8.9	11177	163.51	61	1.10	9.9			10030	146.74	63	1.20	12					8149	119.22	65			1.50	13	7429			108.69	66	1.65	15	6478	94.77	67			1.90	18	5699	83.37	68	2.10	21			4844	70.87	69	2.50	22	4566	66.80	69	2.70	24	4163	60.90	70	2.90	28	3629	53.09	70	3.40	10	9662	141.35	22	0.80	GR147 GRF147	6P	11	8775	128.38	45	0.85	GR137 GRF137	4P			11	8775	128.38			45	0.85			13			7786	113.90	50	0.95	14	7065	103.36	52	1.05	16	6073	88.85	53	1.25	10	9662	141.35	22	0.80																																																																																																																																																																																																																																																																															
894	78	1.61	2.0	1.40	1029	68			1.40	2.0	1.50	5.2	19255			187.15	114			0.90			GR167 GRF167	6P	4.8	20734	201.53			128	1.70			GR177 GRF177	4P	6.4			15603	151.66					114			1.05	6.9					14424	140.20	114	1.20	7.9	12616	122.62			114	1.35	6.3	15823	231.49	114	1.05	7.8	12793	187.15	114	1.30			9.6	10367	151.66			114	1.60	10	9583	140.20			114	1.75	12	8382	122.62			114	2.00	14	7168	104.87	114	2.30		16		6369	93.17	114	2.70	18	5693	83.28	114	3.00	6.6	15097	146.74	34	0.80	GR167 GRF167	4P	8.0	12532	183.34	128	2.80	GR177 GRF177	4P			8.1	12266	119.22	59	1.00					8.9	11182	108.69	61	1.10					10	9750	94.77			64	1.25	12	8577	83.37	66	1.40	8.9	11177	163.51	61	1.10	9.9	10030	146.74	63	1.20	12			8149	119.22	65	1.50	13			7429	108.69	66	1.65	15			6478	94.77	67			1.90	18	5699	83.37	68	2.10	21			4844	70.87	69	2.50	22	4566	66.80	69	2.70	24	4163	60.90	70	2.90	28	3629	53.09	70	3.40	10	9662	141.35	22	0.80	GR147 GRF147	6P	11	8775	128.38	45	0.85	GR137 GRF137	4P			11	8775	128.38	45	0.85					13	7786	113.90			50	0.95			14			7065	103.36	52	1.05	16	6073	88.85	53	1.25	10	9662	141.35	22	0.80																																																																																																																																																																																																																																																																																				
1029	68	1.40	2.0	1.50	5.2	19255			187.15	114	0.90	GR167 GRF167	6P			4.8	20734	201.53	128	1.70					GR177 GRF177	4P	6.4			15603	151.66					114			1.05	6.9					14424	140.20	114	1.20	7.9					12616	122.62	114	1.35	6.3	15823	231.49			114	1.05	7.8	12793	187.15	114	1.30	9.6	10367	151.66	114	1.60			10	9583	140.20			114	1.75	12	8382	122.62			114	2.00	14	7168	104.87			114	2.30	16	6369	93.17	114	2.70	18	5693	83.28	114	3.00	6.6	15097	146.74	34	0.80	GR167 GRF167	4P	8.0	12532	183.34	128	2.80			GR177 GRF177	4P	8.1	12266	119.22					59	1.00	8.9	11182	108.69					61	1.10	10	9750	94.77					64	1.25	12			8577	83.37	66	1.40	8.9	11177	163.51	61	1.10	9.9	10030	146.74	63	1.20	12	8149	119.22	65			1.50	13	7429	108.69	66			1.65	15	6478	94.77	67			1.90	18	5699			83.37	68	2.10	21	4844	70.87	69	2.50	22	4566	66.80	69	2.70	24	4163	60.90	70	2.90	28	3629	53.09	70	3.40	10	9662	141.35	22	0.80	GR147 GRF147	6P	11	8775	128.38			45	0.85	GR137 GRF137	4P	11					8775	128.38	45	0.85	13					7786	113.90	50			0.95	14			7065			103.36	52	1.05	16	6073	88.85	53	1.25	10	9662	141.35	22	0.80																																																																																																																																																																																																																																																																																					
5.2	19255	187.15	114	0.90	GR167 GRF167	6P			4.8	20734	201.53					128	1.70	GR177 GRF177	4P																																																																																																																																																																																																																																																																																																																																																																																																																																																																																																																																																
6.4	15603	151.66	114	1.05					6.9	14424	140.20					114	1.20			7.9							12616	122.62	114	1.35	6.3					15823	231.49	114	1.05	7.8					12793	187.15	114	1.30	9.6	10367	151.66			114	1.60	10	9583	140.20	114	1.75	12	8382	122.62	114	2.00	14	7168	104.87	114	2.30	16	6369	93.17	114			2.70	18	5693			83.28	114	3.00	6.6	15097	146.74	34	0.80	GR167 GRF167	4P	8.0	12532	183.34	128	2.80	GR177 GRF177	4P	8.1	12266	119.22	59	1.00	8.9	11182	108.69	61	1.10	10	9750	94.77	64			1.25	12	8577	83.37	66					1.40	8.9	11177					163.51	61	1.10	9.9	10030					146.74	63	1.20	12	8149			119.22	65	1.50	13	7429	108.69	66	1.65	15	6478	94.77	67	1.90	18	5699	83.37	68	2.10	21	4844	70.87	69	2.50	22	4566			66.80	69	2.70	24	4163			60.90	70	2.90	28	3629	53.09	70	3.40	10	9662	141.35	22	0.80	GR147 GRF147	6P	11	8775	128.38	45	0.85	GR137 GRF137	4P	11	8775	128.38	45	0.85	13	7786	113.90	50	0.95	14	7065	103.36	52	1.05	16	6073	88.85			53	1.25	10			9662	141.35			22					0.80																																																																																																																																																																																																																																																																																																																						
6.9	14424	140.20	114	1.20					7.9	12616	122.62					114	1.35			6.3	15823	231.49					114	1.05	7.8	12793	187.15					114	1.30	9.6	10367	151.66			114	1.60	10	9583	140.20	114	1.75	12	8382			122.62	114	2.00	14	7168	104.87	114	2.30	16	6369	93.17	114	2.70	18	5693	83.28	114	3.00	6.6	15097	146.74			34	0.80	GR167 GRF167	4P	8.0	12532	183.34	128	2.80	GR177 GRF177	4P	8.1	12266			119.22	59	1.00	8.9	11182			108.69	61	1.10	10	9750	94.77	64	1.25	12	8577	83.37	66	1.40	8.9			11177	163.51	61	1.10	9.9					10030	146.74	63					1.20	12	8149	119.22	65	1.50	13			7429	108.69	66	1.65	15			6478	94.77	67	1.90	18	5699	83.37	68	2.10	21	4844	70.87	69	2.50	22	4566	66.80	69	2.70	24	4163	60.90	70	2.90	28			3629	53.09	70	3.40	10	9662	141.35	22	0.80	GR147 GRF147	6P	11	8775	128.38	45	0.85	GR137 GRF137	4P	11	8775			128.38	45	0.85	13	7786			113.90	50	0.95	14	7065	103.36	52	1.05	16	6073	88.85	53	1.25	10	9662	141.35	22	0.80																																																																																																																																																																																																																																																																																																																																							
7.9	12616	122.62	114	1.35					6.3	15823	231.49			114	1.05	7.8	12793			187.15	114	1.30					9.6	10367	151.66	114	1.60			10	9583	140.20	114	1.75	12	8382			122.62	114	2.00	14	7168	104.87	114	2.30	16			6369	93.17	114	2.70	18	5693	83.28	114	3.00	6.6	15097	146.74	34	0.80	GR167 GRF167	4P	8.0	12532	183.34	128	2.80	GR177 GRF177	4P	8.1	12266			119.22	59	1.00	8.9	11182			108.69	61			1.10	10	9750	94.77	64			1.25	12	8577	83.37	66	1.40	8.9	11177	163.51	61	1.10	9.9	10030	146.74			63	1.20	12	8149	119.22					65	1.50	13	7429	108.69			66	1.65	15	6478	94.77	67	1.90			18	5699	83.37	68	2.10			21	4844	70.87	69	2.50	22	4566	66.80	69	2.70	24	4163	60.90	70	2.90	28	3629	53.09	70	3.40	10	9662	141.35	22	0.80	GR147 GRF147	6P	11	8775	128.38	45	0.85	GR137 GRF137	4P	11	8775			128.38	45	0.85	13	7786			113.90	50			0.95	14	7065	103.36	52			1.05	16	6073	88.85	53	1.25	10	9662	141.35	22	0.80																																																																																																																																																																																																																																																																																																																																														
6.3	15823	231.49	114	1.05			7.8	12793	187.15	114	1.30			9.6	10367	151.66	114			1.60	10	9583			140.20	114	1.75	12	8382	122.62	114			2.00	14	7168	104.87	114	2.30	16			6369	93.17	114	2.70	18	5693	83.28	114	3.00			6.6	15097	146.74	34	0.80	GR167 GRF167	4P	8.0	12532	183.34	128	2.80	GR177 GRF177	4P			8.1	12266	119.22	59	1.00			8.9	11182			108.69	61	1.10	10	9750			94.77	64			1.25	12	8577	83.37	66			1.40	8.9	11177	163.51	61	1.10	9.9	10030	146.74	63	1.20	12	8149	119.22			65	1.50	13	7429	108.69			66	1.65	15	6478	94.77	67	1.90			18	5699	83.37	68	2.10	21	4844			70.87	69	2.50	22	4566			66.80	69	2.70	24	4163	60.90	70	2.90	28	3629	53.09	70	3.40	10	9662	141.35	22	0.80	GR147 GRF147	6P	11	8775	128.38	45	0.85			GR137 GRF137	4P	11	8775	128.38			45	0.85			13	7786	113.90	50	0.95			14	7065			103.36	52	1.05	16	6073			88.85	53	1.25	10	9662	141.35	22	0.80																																																																																																																																																																																																																																																																																																																																																	
7.8	12793	187.15	114	1.30			9.6	10367	151.66	114	1.60			10	9583	140.20	114	1.75	12	8382	122.62	114			2.00	14	7168	104.87	114	2.30	16			6369	93.17	114	2.70	18	5693	83.28			114	3.00	6.6	15097	146.74	34	0.80	GR167 GRF167	4P	8.0	12532	183.34	128	2.80	GR177 GRF177	4P			8.1	12266	119.22	59	1.00					8.9	11182	108.69	61	1.10			10	9750			94.77	64	1.25	12	8577			83.37	66			1.40	8.9	11177	163.51	61			1.10	9.9	10030	146.74	63	1.20	12	8149	119.22	65	1.50	13	7429	108.69			66	1.65	15	6478	94.77			67	1.90	18	5699	83.37	68	2.10			21	4844	70.87	69	2.50	22	4566			66.80	69	2.70	24	4163	60.90	70	2.90	28	3629	53.09	70	3.40	10	9662	141.35	22	0.80	GR147 GRF147	6P	11	8775	128.38	45	0.85			GR137 GRF137	4P	11	8775	128.38					45	0.85	13			7786	113.90			50	0.95	14	7065	103.36			52	1.05			16	6073	88.85	53	1.25			10	9662	141.35	22	0.80																																																																																																																																																																																																																																																																																																																																																				
9.6	10367	151.66	114	1.60			10	9583	140.20	114	1.75			12	8382	122.62	114	2.00	14	7168	104.87	114			2.30	16	6369	93.17	114	2.70	18			5693	83.28	114	3.00	6.6	15097	146.74	34	0.80	GR167 GRF167	4P	8.0	12532	183.34	128	2.80			GR177 GRF177	4P	8.1	12266	119.22					59	1.00	8.9	11182	108.69					61	1.10	10	9750	94.77			64	1.25			12	8577	83.37	66	1.40			8.9	11177			163.51	61	1.10	9.9	10030	146.74	63	1.20	12	8149	119.22	65	1.50	13	7429	108.69	66	1.65	15	6478	94.77			67	1.90	18	5699	83.37			68	2.10	21	4844	70.87	69	2.50			22	4566	66.80	69	2.70	24	4163	60.90	70	2.90	28	3629	53.09	70	3.40	10	9662	141.35	22	0.80	GR147 GRF147	6P	11	8775	128.38	45	0.85			GR137 GRF137	4P	11	8775	128.38					45	0.85	13					7786	113.90	50			0.95	14			7065	103.36	52	1.05	16			6073	88.85			53	1.25	10	9662	141.35	22	0.80																																																																																																																																																																																																																																																																																																																																																									
10	9583	140.20	114	1.75			12	8382	122.62	114	2.00			14	7168	104.87	114	2.30	16	6369	93.17	114			2.70	18	5693	83.28	114	3.00	6.6	15097	146.74	34	0.80	GR167 GRF167	4P	8.0	12532	183.34	128	2.80			GR177 GRF177	4P	8.1	12266	119.22					59	1.00	8.9					11182	108.69	61	1.10	10					9750	94.77	64	1.25	12			8577	83.37			66	1.40	8.9	11177	163.51	61	1.10	9.9	10030			146.74	63	1.20	12	8149	119.22	65	1.50	13	7429	108.69	66	1.65	15	6478	94.77	67	1.90	18	5699	83.37			68	2.10	21	4844	70.87			69	2.50	22	4566	66.80	69	2.70	24	4163	60.90	70	2.90	28	3629	53.09	70	3.40	10	9662	141.35	22	0.80	GR147 GRF147	6P	11	8775	128.38	45	0.85			GR137 GRF137	4P	11	8775	128.38					45	0.85	13					7786	113.90	50					0.95	14	7065			103.36	52			1.05	16	6073	88.85	53	1.25	10	9662	141.35	22	0.80																																																																																																																																																																																																																																																																																																																																																																
12	8382	122.62	114	2.00			14	7168	104.87	114	2.30			16	6369	93.17	114	2.70	18	5693	83.28	114	3.00	6.6	15097	146.74	34	0.80	GR167 GRF167	4P	8.0	12532	183.34	128	2.80			GR177 GRF177	4P	8.1	12266	119.22					59	1.00	8.9					11182	108.69	61					1.10	10	9750	94.77	64					1.25	12	8577	83.37	66	1.40	8.9	11177	163.51			61	1.10	9.9	10030	146.74	63	1.20	12	8149			119.22	65	1.50	13	7429	108.69	66	1.65	15	6478	94.77	67	1.90	18	5699	83.37	68	2.10	21	4844	70.87			69	2.50	22	4566	66.80	69	2.70	24	4163	60.90	70	2.90	28	3629	53.09	70	3.40	10	9662	141.35	22	0.80	GR147 GRF147	6P	11	8775	128.38	45	0.85			GR137 GRF137	4P	11	8775	128.38					45	0.85	13					7786	113.90	50					0.95	14	7065					103.36	52	1.05	16	6073	88.85	53	1.25	10	9662	141.35	22	0.80																																																																																																																																																																																																																																																																																																																																																																							
14	7168	104.87	114	2.30			16	6369	93.17	114	2.70	18	5693	83.28	114	3.00	6.6	15097	146.74	34	0.80	GR167 GRF167	4P	8.0	12532	183.34	128	2.80			GR177 GRF177	4P	8.1	12266	119.22					59	1.00	8.9					11182	108.69	61					1.10	10	9750					94.77	64	1.25	12	8577	83.37	66			1.40	8.9	11177	163.51	61	1.10	9.9	10030	146.74			63	1.20	12	8149	119.22	65	1.50	13	7429			108.69	66	1.65	15	6478	94.77	67	1.90	18	5699	83.37	68	2.10	21	4844	70.87	69	2.50	22	4566	66.80	69	2.70	24	4163	60.90	70	2.90	28	3629	53.09	70	3.40	10	9662	141.35	22	0.80	GR147 GRF147	6P	11	8775	128.38	45	0.85			GR137 GRF137	4P	11	8775	128.38					45	0.85	13					7786	113.90	50					0.95	14	7065					103.36	52	1.05	16	6073	88.85	53	1.25	10	9662	141.35	22	0.80																																																																																																																																																																																																																																																																																																																																																																														
16	6369	93.17	114	2.70	18	5693	83.28	114	3.00	6.6	15097	146.74	34	0.80	GR167 GRF167	4P	8.0	12532	183.34	128	2.80			GR177 GRF177	4P	8.1	12266	119.22					59	1.00	8.9					11182	108.69	61					1.10	10	9750					94.77	64	1.25	12	8577			83.37	66	1.40	8.9	11177	163.51	61			1.10	9.9	10030	146.74	63	1.20	12	8149	119.22			65	1.50	13	7429	108.69	66	1.65	15	6478			94.77	67	1.90	18	5699	83.37	68	2.10	21	4844	70.87	69	2.50	22	4566	66.80	69	2.70	24	4163	60.90	70	2.90	28	3629	53.09	70	3.40	10	9662	141.35	22	0.80	GR147 GRF147	6P	11	8775	128.38			45	0.85	GR137 GRF137	4P	11					8775	128.38	45					0.85	13	7786					113.90	50	0.95					14	7065	103.36	52	1.05	16	6073	88.85	53	1.25	10	9662	141.35	22	0.80																																																																																																																																																																																																																																																																																																																																																																																			
18	5693	83.28	114	3.00	6.6	15097	146.74	34	0.80	GR167 GRF167	4P	8.0	12532	183.34			128	2.80	GR177 GRF177	4P	8.1					12266	119.22	59					1.00	8.9	11182					108.69	61	1.10					10	9750	94.77			64	1.25	12	8577	83.37	66	1.40			8.9	11177	163.51	61	1.10	9.9	10030			146.74	63	1.20	12	8149	119.22	65	1.50	13			7429	108.69	66	1.65	15	6478	94.77	67	1.90	18	5699	83.37	68	2.10	21	4844	70.87	69	2.50	22	4566	66.80	69	2.70	24	4163	60.90	70	2.90	28	3629	53.09	70	3.40	10	9662	141.35	22	0.80	GR147 GRF147	6P	11	8775	128.38			45	0.85	GR137 GRF137			4P	11			8775					128.38	45	0.85					13	7786	113.90					50	0.95	14	7065	103.36	52	1.05	16	6073	88.85	53	1.25	10	9662	141.35	22	0.80																																																																																																																																																																																																																																																																																																																																																																																								
6.6	15097	146.74	34	0.80	GR167 GRF167	4P	8.0	12532	183.34			128	2.80	GR177 GRF177			4P																																																																																																																																																																																																																																																																																																																																																																																																																																																																																																																																																		
8.1	12266	119.22	59	1.00			8.9	11182	108.69			61	1.10					10			9750					94.77	64	1.25					12	8577	83.37			66	1.40	8.9	11177	163.51			61	1.10	9.9	10030	146.74			63	1.20	12	8149	119.22	65	1.50			13	7429	108.69	66	1.65	15	6478	94.77	67	1.90	18	5699	83.37	68	2.10	21	4844	70.87	69	2.50	22	4566	66.80	69	2.70	24	4163	60.90	70	2.90	28	3629	53.09	70	3.40	10	9662	141.35	22	0.80	GR147 GRF147	6P	11	8775	128.38	45	0.85	GR137 GRF137	4P	11	8775	128.38	45	0.85	13	7786	113.90	50	0.95			14	7065	103.36			52	1.05					16			6073					88.85	53	1.25	10	9662	141.35	22	0.80																																																																																																																																																																																																																																																																																																																																																																																																															
8.9	11182	108.69	61	1.10			10	9750	94.77			64	1.25					12			8577					83.37	66	1.40			8.9	11177	163.51	61	1.10			9.9	10030	146.74	63	1.20			12	8149	119.22	65	1.50			13	7429	108.69	66	1.65	15	6478	94.77	67	1.90	18	5699	83.37	68	2.10	21	4844	70.87	69	2.50	22	4566	66.80	69	2.70	24	4163	60.90	70	2.90	28	3629	53.09	70	3.40	10	9662	141.35	22	0.80	GR147 GRF147	6P	11	8775	128.38	45	0.85	GR137 GRF137	4P			11	8775	128.38	45	0.85			13	7786	113.90	50	0.95	14	7065	103.36	52	1.05			16	6073	88.85			53	1.25					10			9662	141.35	22	0.80																																																																																																																																																																																																																																																																																																																																																																																																																								
10	9750	94.77	64	1.25			12	8577	83.37			66	1.40					8.9			11177			163.51	61	1.10	9.9	10030			146.74	63	1.20	12	8149			119.22	65	1.50	13	7429			108.69	66	1.65	15	6478	94.77	67	1.90	18	5699	83.37	68	2.10	21	4844	70.87	69	2.50	22	4566	66.80	69	2.70	24	4163	60.90	70	2.90	28	3629	53.09	70	3.40	10	9662	141.35	22	0.80	GR147 GRF147	6P	11	8775	128.38	45	0.85	GR137 GRF137	4P			11	8775	128.38	45	0.85					13	7786	113.90	50	0.95			14	7065	103.36	52	1.05	16	6073	88.85	53	1.25			10	9662	141.35			22	0.80																																																																																																																																																																																																																																																																																																																																																																																																																																			
12	8577	83.37	66	1.40			8.9	11177	163.51			61	1.10					9.9	10030	146.74	63			1.20	12	8149	119.22	65			1.50	13	7429	108.69	66			1.65	15	6478	94.77	67	1.90	18	5699	83.37	68	2.10	21	4844	70.87	69	2.50	22	4566	66.80	69	2.70	24	4163	60.90	70	2.90	28	3629	53.09	70	3.40	10	9662	141.35	22	0.80	GR147 GRF147	6P	11	8775	128.38	45	0.85	GR137 GRF137	4P			11	8775	128.38	45	0.85					13	7786	113.90	50	0.95					14	7065	103.36	52	1.05			16	6073	88.85	53	1.25	10	9662	141.35	22	0.80																																																																																																																																																																																																																																																																																																																																																																																																																																												
8.9	11177	163.51	61	1.10			9.9	10030	146.74			63	1.20	12			8149	119.22	65	1.50	13			7429	108.69	66	1.65	15			6478	94.77	67	1.90	18	5699	83.37	68	2.10	21	4844	70.87	69	2.50	22	4566	66.80	69	2.70	24	4163	60.90	70	2.90	28	3629	53.09	70	3.40	10	9662	141.35	22	0.80	GR147 GRF147	6P	11	8775	128.38	45	0.85	GR137 GRF137	4P			11	8775	128.38	45	0.85					13	7786	113.90	50	0.95					14	7065	103.36	52	1.05					16	6073	88.85	53	1.25			10	9662	141.35	22	0.80																																																																																																																																																																																																																																																																																																																																																																																																																																																	
9.9	10030	146.74	63	1.20			12	8149	119.22			65	1.50	13			7429	108.69	66	1.65	15			6478	94.77	67	1.90	18	5699	83.37	68	2.10	21	4844	70.87	69	2.50	22	4566	66.80	69	2.70	24	4163	60.90	70	2.90	28	3629	53.09	70	3.40	10	9662	141.35	22	0.80	GR147 GRF147	6P	11	8775	128.38	45	0.85			GR137 GRF137	4P	11	8775	128.38					45	0.85	13	7786	113.90					50	0.95	14	7065	103.36					52	1.05	16	6073	88.85					53	1.25	10	9662	141.35	22	0.80																																																																																																																																																																																																																																																																																																																																																																																																																																																						
12	8149	119.22	65	1.50			13	7429	108.69			66	1.65	15			6478	94.77	67	1.90	18	5699	83.37	68	2.10	21	4844	70.87	69	2.50	22	4566	66.80	69	2.70	24	4163	60.90	70	2.90	28	3629	53.09	70	3.40	10	9662	141.35	22	0.80	GR147 GRF147	6P	11	8775	128.38	45	0.85			GR137 GRF137	4P	11	8775	128.38					45	0.85	13					7786	113.90	50	0.95	14					7065	103.36	52	1.05	16					6073	88.85	53	1.25	10	9662	141.35	22	0.80																																																																																																																																																																																																																																																																																																																																																																																																																																																													
13	7429	108.69	66	1.65			15	6478	94.77			67	1.90	18	5699	83.37	68	2.10	21	4844	70.87	69	2.50	22	4566	66.80	69	2.70	24	4163	60.90	70	2.90	28	3629	53.09	70	3.40	10	9662	141.35	22	0.80	GR147 GRF147	6P	11	8775	128.38	45	0.85			GR137 GRF137	4P	11	8775	128.38					45	0.85	13					7786	113.90	50					0.95	14	7065	103.36	52					1.05	16	6073	88.85	53	1.25	10	9662	141.35	22	0.80																																																																																																																																																																																																																																																																																																																																																																																																																																																																				
15	6478	94.77	67	1.90			18	5699	83.37	68	2.10	21	4844	70.87	69	2.50	22	4566	66.80	69	2.70	24	4163	60.90	70	2.90	28	3629	53.09	70	3.40	10	9662	141.35	22	0.80	GR147 GRF147	6P	11	8775	128.38	45	0.85			GR137 GRF137	4P	11	8775	128.38					45	0.85	13					7786	113.90	50					0.95	14	7065					103.36	52	1.05	16	6073	88.85	53	1.25	10	9662	141.35	22	0.80																																																																																																																																																																																																																																																																																																																																																																																																																																																																											
18	5699	83.37	68	2.10	21	4844	70.87	69	2.50	22	4566	66.80	69	2.70	24	4163	60.90	70	2.90	28	3629	53.09	70	3.40	10	9662	141.35	22	0.80	GR147 GRF147	6P	11	8775	128.38	45	0.85			GR137 GRF137	4P	11	8775	128.38					45	0.85	13					7786	113.90	50					0.95	14	7065					103.36	52	1.05	16	6073	88.85	53	1.25	10	9662	141.35	22	0.80																																																																																																																																																																																																																																																																																																																																																																																																																																																																																		
21	4844	70.87	69	2.50	22	4566	66.80	69	2.70	24	4163	60.90	70	2.90	28	3629	53.09	70	3.40	10	9662	141.35	22	0.80	GR147 GRF147	6P	11	8775	128.38			45	0.85	GR137 GRF137	4P	11					8775	128.38	45					0.85	13	7786					113.90	50	0.95					14	7065	103.36	52	1.05	16	6073	88.85	53	1.25	10	9662	141.35	22	0.80																																																																																																																																																																																																																																																																																																																																																																																																																																																																																							
22	4566	66.80	69	2.70	24	4163	60.90	70	2.90	28	3629	53.09	70	3.40	10	9662	141.35	22	0.80	GR147 GRF147	6P	11	8775	128.38			45	0.85	GR137 GRF137			4P	11			8775					128.38	45	0.85					13	7786	113.90					50	0.95	14	7065	103.36	52	1.05	16	6073	88.85	53	1.25	10	9662	141.35	22	0.80																																																																																																																																																																																																																																																																																																																																																																																																																																																																																												
24	4163	60.90	70	2.90	28	3629	53.09	70	3.40	10	9662	141.35	22	0.80	GR147 GRF147	6P	11	8775	128.38			45	0.85	GR137 GRF137			4P	11					8775			128.38					45	0.85	13					7786	113.90	50	0.95	14	7065	103.36	52	1.05	16	6073	88.85	53	1.25	10	9662	141.35	22	0.80																																																																																																																																																																																																																																																																																																																																																																																																																																																																																																	
28	3629	53.09	70	3.40	10	9662	141.35	22	0.80	GR147 GRF147	6P	11	8775	128.38			45	0.85	GR137 GRF137			4P	11					8775					128.38			45					0.85	13	7786	113.90	50	0.95	14	7065	103.36	52	1.05	16	6073	88.85	53	1.25	10	9662	141.35	22	0.80																																																																																																																																																																																																																																																																																																																																																																																																																																																																																																						
10	9662	141.35	22	0.80	GR147 GRF147	6P	11	8775	128.38			45	0.85	GR137 GRF137			4P																																																																																																																																																																																																																																																																																																																																																																																																																																																																																																																																																		
11	8775	128.38	45	0.85			13	7786	113.90			50	0.95					14					7065					103.36		52	1.05		16	6073	88.85	53	1.25	10	9662	141.35	22	0.80																																																																																																																																																																																																																																																																																																																																																																																																																																																																																																																									
13	7786	113.90	50	0.95			14	7065	103.36			52	1.05					16					6073		88.85	53		1.25	10	9662	141.35	22	0.80																																																																																																																																																																																																																																																																																																																																																																																																																																																																																																																																		
14	7065	103.36	52	1.05			16	6073	88.85			53	1.25					10		9662	141.35		22	0.80																																																																																																																																																																																																																																																																																																																																																																																																																																																																																																																																											
16	6073	88.85	53	1.25			10	9662	141.35			22	0.80																																																																																																																																																																																																																																																																																																																																																																																																																																																																																																																																																						
10	9662	141.35	22	0.80																																																																																																																																																																																																																																																																																																																																																																																																																																																																																																																																																															

选型参数表
(恒功率)

Selection Table
(Constant Power)

n_a [r/min]	Ma [Nm]	i	F_{ra} [kN]	f_B	机型号 Type size	极数 Pole	n_a [r/min]	Ma [Nm]	i	F_{ra} [kN]	f_B	机型号 Type size	极数 Pole																																																																																																																																																																																																																																																																																																																																																																																																																																																																																																																																																																																																											
11.0kW							11.0kW																																																																																																																																																																																																																																																																																																																																																																																																																																																																																																																																																																																																																	
18	5563	81.38	54	1.35	GR137 GRF137	4P	281	364	5.19	8.6	1.85	GRX107 GRXF107	4P																																																																																																																																																																																																																																																																																																																																																																																																																																																																																																																																																																																																											
20	5052	73.91	55	1.50			22	4483	65.58	56	1.70			25	4068	59.51	56	1.85	29	3496	51.15	57	2.20	33	3052	44.65	57	2.50	39	2589	37.87	57	2.90	44	2263	33.10	58	3.30	22	4484	65.60	23	0.90	323	317	4.52	6.8	1.80	GRX97 GRXF97	4P	25	4061	59.41	26	1.00	361	283	4.04	6.6	2.00	28	3601	52.68	26	1.10	401	255	3.64	6.5	2.20	31	3256	47.63	25	1.25	442	232	3.30	6.3	2.50	36	2759	40.37	24	1.45	500	205	2.92	6.1	2.80	41	2410	35.26	24	1.65	553	185	2.64	6.0	3.10	50	2016	29.49	23	2.00	652	157	2.24	5.7	3.60	47	2103	30.77	23	1.90	745	138	1.96	5.5	4.00	53	1885	27.58	22	2.10	890	115	1.64	5.2	4.20	59	1702	24.90	22	2.40	1028	100	1.42	5.0	4.40	65	1546	22.62	21	2.60	420	244	3.48	4.8	1.60	73	1372	20.07	21	2.90	472	217	3.09	4.7	1.80	80	1245	18.21	20	3.20	529	194	2.76	4.6	2.00	34	2924	42.78	14	0.95	589	174	2.48	4.4	2.20	39	2538	37.13	18	1.10	679	151	2.15	4.3	2.50	44	2273	33.25	18	1.20	756	135	1.93	4.2	2.50	53	1885	27.58	17	1.35	913	112	1.60	4.0	2.70	58	1711	25.03	17	1.55	1050	98	1.39	3.8	2.90	65	1529	22.37	16	1.65	601	171	2.43	1.8	1.20	72	1377	20.14	16	1.80	685	149	2.13	2.0	1.30	80	1247	18.24	16	1.90	777	132	1.88	2.2	1.35	90	1105	16.17	15	2.00	874	117	1.67	2.3	1.40	100	999	14.62	15	2.20	1028	100	1.42	2.5	1.50	118	847	12.39	14	2.40	15.0kW							135	740	10.83	14	2.70	3.4	42875	428	128	0.85	GR177R107 GRF177R107	4P	157	635	9.29	14	3.00	3.8	38467	384	128	0.95	174	573	8.39	13	3.30	4.2	34761	347	128	1.05	205	487	7.12	13	3.80	4.6	31555	315	128	1.15	235	424	6.21	12	4.20	5.2	27949	279	128	1.30	68	1476	21.60	13	0.95	5.7	25444	254	128	1.45	76	1311	19.18	12	1.05	6.7	21838	218	128	1.70	85	1172	17.15	12	1.10	7.7	19033	190	128	1.90	95	1054	15.42	12	1.20	9.1	16128	161	128	2.25	109	915	13.38	12	1.30	3.0	46998	479	128	0.80	GR177R97 GRF177R97	4P	122	819	11.98	11	1.40	3.2	44545	454	128	0.80	147	679	9.94	11	1.65	3.6	39835	406	128	0.90	160	625	9.14	11	1.80	4.1	34733	354	128	1.05	178	562	8.22	11	1.95	4.8	29729	303	128	1.20	205	487	7.13	10	2.10	6.3	20632	233	114	0.85	228	437	6.39	10	2.20	7.2	18064	204	114	1.00	275	362	5.30	9	2.30	8.5	15231	172	114	1.20	134	744	10.88	4.0	0.85	6.4	20189	228	114	0.90	GR167R107 GRF167R107	4P	151	659	9.64	4.8	0.90	7.3	17621	199	114	1.00	189	529	7.74	4.4	1.10	4.0	34178	183.34	128	1.00	GR177 GRF177	8P	215	464	6.79	5.0	1.15	4.4	30682	164.59	128	1.15	244	409	5.99	5.4	1.25	5.0	27007	144.87	128	1.30	275	363	5.31	5.8	1.30	5.7	23724	127.26	128	1.45	GR177 GRF177	6P	224	469	6.52	16	2.45	4.8	28274	201.53	128	1.25	247	425	5.91	12	3.20	5.3	25721	183.34	128	1.35	273	385	5.35	12	3.65	5.9	23091	164.59	128	1.50	304	345	4.80	10	3.85	6.7	20325	144.87	128	1.70	374	281	3.90	6.0	4.80	7.6	17854	127.26	128	1.95	410	256	3.56	6.0	5.60																							
22	4483	65.58	56	1.70			25	4068	59.51	56	1.85			29	3496	51.15	57	2.20	33	3052	44.65	57	2.50	39	2589	37.87	57	2.90	44	2263	33.10	58	3.30	22	4484	65.60	23	0.90	323	317	4.52	6.8	1.80	GRX97 GRXF97	4P	25	4061	59.41			26	1.00	361	283	4.04	6.6	2.00	28	3601	52.68	26	1.10	401	255	3.64	6.5	2.20	31	3256	47.63	25	1.25	442	232	3.30	6.3	2.50	36	2759	40.37	24	1.45	500	205	2.92	6.1	2.80	41	2410	35.26	24	1.65	553	185	2.64	6.0	3.10	50	2016	29.49	23	2.00	652	157	2.24	5.7	3.60	47	2103	30.77	23	1.90	745	138	1.96	5.5	4.00	53	1885	27.58	22	2.10	890	115	1.64	5.2	4.20	59	1702	24.90	22	2.40	1028	100	1.42	5.0	4.40	65	1546	22.62	21	2.60	420	244	3.48	4.8	1.60	73	1372	20.07	21	2.90	472	217	3.09	4.7	1.80	80	1245	18.21	20	3.20	529	194	2.76	4.6	2.00	34	2924	42.78	14	0.95	589	174	2.48	4.4	2.20	39	2538	37.13	18	1.10	679	151	2.15	4.3	2.50	44	2273	33.25	18	1.20	756	135	1.93	4.2	2.50	53	1885	27.58	17	1.35	913	112	1.60	4.0	2.70	58	1711	25.03	17	1.55	1050	98	1.39	3.8	2.90	65	1529	22.37	16	1.65	601	171	2.43	1.8	1.20	72	1377	20.14	16	1.80	685	149	2.13	2.0	1.30	80	1247	18.24	16	1.90	777	132	1.88	2.2	1.35	90	1105	16.17	15	2.00	874	117	1.67	2.3	1.40	100	999	14.62	15	2.20	1028	100	1.42	2.5	1.50	118	847	12.39	14	2.40	15.0kW							135	740	10.83	14	2.70	3.4	42875	428	128	0.85	GR177R107 GRF177R107	4P	157			635	9.29	14	3.00	3.8	38467	384	128	0.95	174	573	8.39	13	3.30	4.2	34761	347	128	1.05	205	487	7.12	13	3.80	4.6	31555	315	128	1.15	235	424	6.21	12	4.20	5.2	27949	279	128	1.30	68	1476	21.60	13	0.95	5.7	25444	254	128	1.45	76	1311	19.18	12	1.05	6.7	21838	218	128	1.70	85	1172	17.15	12	1.10	7.7	19033	190	128	1.90	95	1054	15.42	12	1.20	9.1	16128	161	128	2.25	109	915	13.38	12	1.30	3.0	46998	479	128	0.80	GR177R97 GRF177R97			4P	122	819	11.98	11	1.40	3.2	44545	454	128	0.80	147	679	9.94	11	1.65	3.6	39835	406	128	0.90	160	625	9.14	11	1.80	4.1	34733	354	128	1.05	178	562	8.22	11	1.95	4.8	29729	303	128	1.20	205	487	7.13	10	2.10	6.3	20632	233	114	0.85	228	437	6.39	10	2.20	7.2	18064	204	114	1.00	275	362	5.30	9	2.30	8.5	15231	172	114	1.20	134	744	10.88	4.0	0.85	6.4	20189	228	114			0.90	GR167R107 GRF167R107	4P	151	659	9.64	4.8	0.90	7.3	17621	199	114	1.00	189	529	7.74	4.4	1.10	4.0	34178			183.34	128	1.00	GR177 GRF177	8P	215	464	6.79	5.0	1.15	4.4	30682	164.59	128	1.15	244	409	5.99	5.4	1.25	5.0	27007	144.87	128	1.30	275	363	5.31	5.8	1.30			5.7	23724	127.26	128	1.45	GR177 GRF177	6P	224	469	6.52	16	2.45	4.8	28274	201.53	128	1.25	247	425	5.91	12	3.20	5.3	25721	183.34	128	1.35	273	385	5.35	12	3.65	5.9	23091	164.59	128	1.50	304	345	4.80	10	3.85	6.7	20325	144.87	128	1.70	374	281	3.90	6.0	4.80	7.6	17854	127.26	128	1.95	410	256	3.56	6.0	5.60																
25	4068	59.51	56	1.85			29	3496	51.15	57	2.20			33	3052	44.65	57	2.50	39	2589	37.87	57	2.90	44	2263	33.10	58	3.30	22	4484	65.60	23	0.90	323	317	4.52	6.8	1.80	GRX97 GRXF97	4P	25	4061	59.41			26	1.00	361			283	4.04	6.6	2.00	28	3601	52.68	26	1.10	401	255	3.64	6.5	2.20	31	3256	47.63	25	1.25	442	232	3.30	6.3	2.50	36	2759	40.37	24	1.45	500	205	2.92	6.1	2.80	41	2410	35.26	24	1.65	553	185	2.64	6.0	3.10	50	2016	29.49	23	2.00	652	157	2.24	5.7	3.60	47	2103	30.77	23	1.90	745	138	1.96	5.5	4.00	53	1885	27.58	22	2.10	890	115	1.64	5.2	4.20	59	1702	24.90	22	2.40	1028	100	1.42	5.0	4.40	65	1546	22.62	21	2.60	420	244	3.48	4.8	1.60	73	1372	20.07	21	2.90	472	217	3.09	4.7	1.80	80	1245	18.21	20	3.20	529	194	2.76	4.6	2.00	34	2924	42.78	14	0.95	589	174	2.48	4.4	2.20	39	2538	37.13	18	1.10	679	151	2.15	4.3	2.50	44	2273	33.25	18	1.20	756	135	1.93	4.2	2.50	53	1885	27.58	17	1.35	913	112	1.60	4.0	2.70	58	1711	25.03	17	1.55	1050	98	1.39	3.8	2.90	65	1529	22.37	16	1.65	601	171	2.43	1.8	1.20	72	1377	20.14	16	1.80	685	149	2.13	2.0	1.30	80	1247	18.24	16	1.90	777	132	1.88	2.2	1.35	90	1105	16.17	15	2.00	874	117	1.67	2.3	1.40	100	999	14.62	15	2.20	1028	100	1.42	2.5	1.50	118	847	12.39	14	2.40	15.0kW							135	740	10.83	14	2.70	3.4	42875	428	128	0.85	GR177R107 GRF177R107	4P	157			635			9.29	14	3.00	3.8	38467	384	128	0.95	174	573	8.39	13	3.30	4.2	34761	347	128	1.05	205	487	7.12	13	3.80	4.6	31555	315	128	1.15	235	424	6.21	12	4.20	5.2	27949	279	128	1.30	68	1476	21.60	13	0.95	5.7	25444	254	128	1.45	76	1311	19.18	12	1.05	6.7	21838	218	128	1.70	85	1172	17.15	12	1.10	7.7	19033	190	128	1.90	95	1054	15.42	12	1.20	9.1	16128	161	128	2.25	109	915	13.38	12	1.30	3.0	46998	479	128	0.80	GR177R97 GRF177R97					4P	122	819	11.98	11	1.40	3.2	44545	454	128	0.80	147	679	9.94	11	1.65	3.6	39835	406	128	0.90	160	625	9.14	11	1.80	4.1	34733	354	128	1.05	178	562	8.22	11	1.95	4.8	29729	303	128	1.20	205	487	7.13	10	2.10	6.3	20632	233	114	0.85	228	437	6.39	10	2.20	7.2	18064	204	114	1.00	275	362	5.30	9	2.30	8.5	15231	172	114	1.20	134	744	10.88	4.0	0.85	6.4	20189	228	114	0.90	GR167R107 GRF167R107			4P	151	659	9.64	4.8	0.90	7.3	17621	199	114	1.00	189	529	7.74	4.4	1.10	4.0			34178	183.34	128			1.00	GR177 GRF177	8P	215	464	6.79	5.0	1.15	4.4	30682	164.59	128	1.15	244	409	5.99	5.4	1.25	5.0	27007	144.87	128	1.30	275	363			5.31	5.8	1.30	5.7	23724			127.26	128	1.45	GR177 GRF177	6P	224	469	6.52	16	2.45	4.8	28274	201.53	128	1.25	247	425	5.91	12	3.20	5.3	25721	183.34	128	1.35	273	385	5.35	12	3.65	5.9	23091	164.59	128	1.50	304	345	4.80	10	3.85	6.7	20325	144.87	128	1.70	374	281	3.90	6.0	4.80	7.6	17854	127.26	128	1.95	410	256	3.56	6.0	5.60											
29	3496	51.15	57	2.20			33	3052	44.65	57	2.50			39	2589	37.87	57	2.90	44	2263	33.10	58	3.30	22	4484	65.60	23	0.90	323	317	4.52	6.8	1.80	GRX97 GRXF97	4P	25	4061	59.41			26	1.00	361			283	4.04	6.6			2.00	28	3601	52.68	26	1.10	401	255	3.64	6.5	2.20	31	3256	47.63	25	1.25	442	232	3.30	6.3	2.50	36	2759	40.37	24	1.45	500	205	2.92	6.1	2.80	41	2410	35.26	24	1.65	553	185	2.64	6.0	3.10	50	2016	29.49	23	2.00	652	157	2.24	5.7	3.60	47	2103	30.77	23	1.90	745	138	1.96	5.5	4.00	53	1885	27.58	22	2.10	890	115	1.64	5.2	4.20	59	1702	24.90	22	2.40	1028	100	1.42	5.0	4.40	65	1546	22.62	21	2.60	420	244	3.48	4.8	1.60	73	1372	20.07	21	2.90	472	217	3.09	4.7	1.80	80	1245	18.21	20	3.20	529	194	2.76	4.6	2.00	34	2924	42.78	14	0.95	589	174	2.48	4.4	2.20	39	2538	37.13	18	1.10	679	151	2.15	4.3	2.50	44	2273	33.25	18	1.20	756	135	1.93	4.2	2.50	53	1885	27.58	17	1.35	913	112	1.60	4.0	2.70	58	1711	25.03	17	1.55	1050	98	1.39	3.8	2.90	65	1529	22.37	16	1.65	601	171	2.43	1.8	1.20	72	1377	20.14	16	1.80	685	149	2.13	2.0	1.30	80	1247	18.24	16	1.90	777	132	1.88	2.2	1.35	90	1105	16.17	15	2.00	874	117	1.67	2.3	1.40	100	999	14.62	15	2.20	1028	100	1.42	2.5	1.50	118	847	12.39	14	2.40	15.0kW							135	740	10.83	14	2.70	3.4	42875	428	128	0.85	GR177R107 GRF177R107	4P	157			635			9.29			14	3.00	3.8	38467	384	128	0.95	174	573	8.39	13	3.30	4.2	34761	347	128	1.05	205	487	7.12	13	3.80	4.6	31555	315	128	1.15	235	424	6.21	12	4.20	5.2	27949	279	128	1.30	68	1476	21.60	13	0.95	5.7	25444	254	128	1.45	76	1311	19.18	12	1.05	6.7	21838	218	128	1.70	85	1172	17.15	12	1.10	7.7	19033	190	128	1.90	95	1054	15.42	12	1.20	9.1	16128	161	128	2.25	109	915	13.38	12	1.30	3.0	46998	479	128	0.80	GR177R97 GRF177R97							4P	122	819	11.98	11	1.40	3.2	44545	454	128	0.80	147	679	9.94	11	1.65	3.6	39835	406	128	0.90	160	625	9.14	11	1.80	4.1	34733	354	128	1.05	178	562	8.22	11	1.95	4.8	29729	303	128	1.20	205	487	7.13	10	2.10	6.3	20632	233	114	0.85	228	437	6.39	10	2.20	7.2	18064	204	114	1.00	275	362	5.30	9	2.30	8.5	15231	172	114	1.20	134	744	10.88	4.0	0.85	6.4	20189	228	114		0.90	GR167R107 GRF167R107		4P	151	659	9.64	4.8	0.90	7.3	17621	199	114	1.00	189	529	7.74	4.4	1.10	4.0	34178	183.34	128	1.00			GR177 GRF177			8P	215	464	6.79	5.0	1.15	4.4	30682	164.59	128	1.15	244	409	5.99	5.4	1.25	5.0	27007	144.87	128	1.30	275			363	5.31	5.8	1.30	5.7			23724	127.26	128			1.45	GR177 GRF177	6P	224	469	6.52	16	2.45	4.8	28274	201.53	128	1.25	247	425	5.91	12	3.20	5.3	25721	183.34	128	1.35	273	385	5.35	12	3.65	5.9	23091	164.59	128	1.50	304	345	4.80	10	3.85	6.7	20325	144.87	128	1.70	374	281	3.90	6.0	4.80	7.6	17854	127.26	128	1.95	410	256	3.56	6.0	5.60								
33	3052	44.65	57	2.50			39	2589	37.87	57	2.90			44	2263	33.10	58	3.30	22	4484	65.60	23	0.90	323	317	4.52	6.8	1.80	GRX97 GRXF97	4P	25	4061	59.41			26	1.00	361			283	4.04	6.6			2.00	28	3601			52.68	26	1.10	401	255	3.64	6.5	2.20	31	3256	47.63	25	1.25	442	232	3.30	6.3	2.50	36	2759	40.37	24	1.45	500	205	2.92	6.1	2.80	41	2410	35.26	24	1.65	553	185	2.64	6.0	3.10	50	2016	29.49	23	2.00	652	157	2.24	5.7	3.60	47	2103	30.77	23	1.90	745	138	1.96	5.5	4.00	53	1885	27.58	22	2.10	890	115	1.64	5.2	4.20	59	1702	24.90	22	2.40	1028	100	1.42	5.0	4.40	65	1546	22.62	21	2.60	420	244	3.48	4.8	1.60	73	1372	20.07	21	2.90	472	217	3.09	4.7	1.80	80	1245	18.21	20	3.20	529	194	2.76	4.6	2.00	34	2924	42.78	14	0.95	589	174	2.48	4.4	2.20	39	2538	37.13	18	1.10	679	151	2.15	4.3	2.50	44	2273	33.25	18	1.20	756	135	1.93	4.2	2.50	53	1885	27.58	17	1.35	913	112	1.60	4.0	2.70	58	1711	25.03	17	1.55	1050	98	1.39	3.8	2.90	65	1529	22.37	16	1.65	601	171	2.43	1.8	1.20	72	1377	20.14	16	1.80	685	149	2.13	2.0	1.30	80	1247	18.24	16	1.90	777	132	1.88	2.2	1.35	90	1105	16.17	15	2.00	874	117	1.67	2.3	1.40	100	999	14.62	15	2.20	1028	100	1.42	2.5	1.50	118	847	12.39	14	2.40	15.0kW							135	740	10.83	14	2.70	3.4	42875	428	128	0.85	GR177R107 GRF177R107	4P	157			635			9.29			14			3.00	3.8	38467	384	128	0.95	174	573	8.39	13	3.30	4.2	34761	347	128	1.05	205	487	7.12	13	3.80	4.6	31555	315	128	1.15	235	424	6.21	12	4.20	5.2	27949	279	128	1.30	68	1476	21.60	13	0.95	5.7	25444	254	128	1.45	76	1311	19.18	12	1.05	6.7	21838	218	128	1.70	85	1172	17.15	12	1.10	7.7	19033	190	128	1.90	95	1054	15.42	12	1.20	9.1	16128	161	128	2.25	109	915	13.38	12	1.30	3.0	46998	479	128	0.80	GR177R97 GRF177R97									4P	122	819	11.98	11	1.40	3.2	44545	454	128	0.80	147	679	9.94	11	1.65	3.6	39835	406	128	0.90	160	625	9.14	11	1.80	4.1	34733	354	128	1.05	178	562	8.22	11	1.95	4.8	29729	303	128	1.20	205	487	7.13	10	2.10	6.3	20632	233	114	0.85	228	437	6.39	10	2.20	7.2	18064	204	114	1.00	275	362	5.30	9	2.30	8.5	15231	172	114	1.20	134	744	10.88	4.0	0.85	6.4	20189	228	114	0.90		GR167R107 GRF167R107		4P	151	659	9.64	4.8	0.90	7.3	17621	199	114	1.00	189	529	7.74	4.4	1.10	4.0	34178	183.34	128	1.00	GR177 GRF177					8P	215	464	6.79	5.0	1.15	4.4	30682	164.59	128	1.15	244	409	5.99	5.4	1.25	5.0	27007	144.87	128	1.30			275	363	5.31	5.8	1.30			5.7	23724	127.26			128			1.45	GR177 GRF177	6P	224	469	6.52	16	2.45	4.8	28274	201.53	128	1.25	247	425	5.91	12	3.20	5.3	25721	183.34	128	1.35	273	385	5.35	12	3.65	5.9	23091	164.59	128	1.50	304	345	4.80	10	3.85	6.7	20325	144.87	128	1.70	374	281	3.90	6.0	4.80	7.6	17854	127.26	128	1.95	410	256	3.56	6.0	5.60					
39	2589	37.87	57	2.90			44	2263	33.10	58	3.30			22	4484	65.60	23	0.90	323	317	4.52	6.8	1.80	GRX97 GRXF97	4P	25	4061	59.41			26	1.00	361			283	4.04	6.6			2.00	28	3601			52.68	26	1.10			401	255	3.64	6.5	2.20	31	3256	47.63	25	1.25	442	232	3.30	6.3	2.50	36	2759	40.37	24	1.45	500	205	2.92	6.1	2.80	41	2410	35.26	24	1.65	553	185	2.64	6.0	3.10	50	2016	29.49	23	2.00	652	157	2.24	5.7	3.60	47	2103	30.77	23	1.90	745	138	1.96	5.5	4.00	53	1885	27.58	22	2.10	890	115	1.64	5.2	4.20	59	1702	24.90	22	2.40	1028	100	1.42	5.0	4.40	65	1546	22.62	21	2.60	420	244	3.48	4.8	1.60	73	1372	20.07	21	2.90	472	217	3.09	4.7	1.80	80	1245	18.21	20	3.20	529	194	2.76	4.6	2.00	34	2924	42.78	14	0.95	589	174	2.48	4.4	2.20	39	2538	37.13	18	1.10	679	151	2.15	4.3	2.50	44	2273	33.25	18	1.20	756	135	1.93	4.2	2.50	53	1885	27.58	17	1.35	913	112	1.60	4.0	2.70	58	1711	25.03	17	1.55	1050	98	1.39	3.8	2.90	65	1529	22.37	16	1.65	601	171	2.43	1.8	1.20	72	1377	20.14	16	1.80	685	149	2.13	2.0	1.30	80	1247	18.24	16	1.90	777	132	1.88	2.2	1.35	90	1105	16.17	15	2.00	874	117	1.67	2.3	1.40	100	999	14.62	15	2.20	1028	100	1.42	2.5	1.50	118	847	12.39	14	2.40	15.0kW							135	740	10.83	14	2.70	3.4	42875	428	128	0.85	GR177R107 GRF177R107	4P	157			635			9.29			14			3.00			3.8	38467	384	128	0.95	174	573	8.39	13	3.30	4.2	34761	347	128	1.05	205	487	7.12	13	3.80	4.6	31555	315	128	1.15	235	424	6.21	12	4.20	5.2	27949	279	128	1.30	68	1476	21.60	13	0.95	5.7	25444	254	128	1.45	76	1311	19.18	12	1.05	6.7	21838	218	128	1.70	85	1172	17.15	12	1.10	7.7	19033	190	128	1.90	95	1054	15.42	12	1.20	9.1	16128	161	128	2.25	109	915	13.38	12	1.30	3.0	46998	479	128	0.80	GR177R97 GRF177R97											4P	122	819	11.98	11	1.40	3.2	44545	454	128	0.80	147	679	9.94	11	1.65	3.6	39835	406	128	0.90	160	625	9.14	11	1.80	4.1	34733	354	128	1.05	178	562	8.22	11	1.95	4.8	29729	303	128	1.20	205	487	7.13	10	2.10	6.3	20632	233	114	0.85	228	437	6.39	10	2.20	7.2	18064	204	114	1.00	275	362	5.30	9	2.30	8.5	15231	172	114	1.20	134	744	10.88	4.0	0.85	6.4	20189	228	114	0.90		GR167R107 GRF167R107		4P	151	659	9.64	4.8	0.90	7.3	17621	199	114	1.00	189	529	7.74	4.4	1.10	4.0	34178	183.34	128			1.00	GR177 GRF177			8P	215	464	6.79	5.0	1.15	4.4	30682	164.59	128	1.15	244	409	5.99	5.4	1.25	5.0	27007	144.87	128			1.30	275	363	5.31	5.8			1.30	5.7	23724			127.26			128			1.45	GR177 GRF177	6P	224	469	6.52	16	2.45	4.8	28274	201.53	128	1.25	247	425	5.91	12	3.20	5.3	25721	183.34	128	1.35	273	385	5.35	12	3.65	5.9	23091	164.59	128	1.50	304	345	4.80	10	3.85	6.7	20325	144.87	128	1.70	374	281	3.90	6.0	4.80	7.6	17854	127.26	128	1.95	410	256	3.56	6.0	5.60		
44	2263	33.10	58	3.30			22	4484	65.60	23	0.90			323	317	4.52	6.8	1.80	GRX97 GRXF97	4P	25	4061	59.41			26	1.00	361			283	4.04	6.6			2.00	28	3601			52.68	26	1.10			401	255	3.64			6.5	2.20	31	3256	47.63	25	1.25	442	232	3.30	6.3	2.50	36	2759	40.37	24	1.45	500	205	2.92	6.1	2.80	41	2410	35.26	24	1.65	553	185	2.64	6.0	3.10	50	2016	29.49	23	2.00	652	157	2.24	5.7	3.60	47	2103	30.77	23	1.90	745	138	1.96	5.5	4.00	53	1885	27.58	22	2.10	890	115	1.64	5.2	4.20	59	1702	24.90	22	2.40	1028	100	1.42	5.0	4.40	65	1546	22.62	21	2.60	420	244	3.48	4.8	1.60	73	1372	20.07	21	2.90	472	217	3.09	4.7	1.80	80	1245	18.21	20	3.20	529	194	2.76	4.6	2.00	34	2924	42.78	14	0.95	589	174	2.48	4.4	2.20	39	2538	37.13	18	1.10	679	151	2.15	4.3	2.50	44	2273	33.25	18	1.20	756	135	1.93	4.2	2.50	53	1885	27.58	17	1.35	913	112	1.60	4.0	2.70	58	1711	25.03	17	1.55	1050	98	1.39	3.8	2.90	65	1529	22.37	16	1.65	601	171	2.43	1.8	1.20	72	1377	20.14	16	1.80	685	149	2.13	2.0	1.30	80	1247	18.24	16	1.90	777	132	1.88	2.2	1.35	90	1105	16.17	15	2.00	874	117	1.67	2.3	1.40	100	999	14.62	15	2.20	1028	100	1.42	2.5	1.50	118	847	12.39	14	2.40	15.0kW							135	740	10.83	14	2.70	3.4	42875	428	128	0.85	GR177R107 GRF177R107	4P	157			635			9.29			14			3.00			3.8			38467	384	128	0.95	174	573	8.39	13	3.30	4.2	34761	347	128	1.05	205	487	7.12	13	3.80	4.6	31555	315	128	1.15	235	424	6.21	12	4.20	5.2	27949	279	128	1.30	68	1476	21.60	13	0.95	5.7	25444	254	128	1.45	76	1311	19.18	12	1.05	6.7	21838	218	128	1.70	85	1172	17.15	12	1.10	7.7	19033	190	128	1.90	95	1054	15.42	12	1.20	9.1	16128	161	128	2.25	109	915	13.38	12	1.30	3.0	46998	479	128	0.80	GR177R97 GRF177R97													4P	122	819	11.98	11	1.40	3.2	44545	454	128	0.80	147	679	9.94	11	1.65	3.6	39835	406	128	0.90	160	625	9.14	11	1.80	4.1	34733	354	128	1.05	178	562	8.22	11	1.95	4.8	29729	303	128	1.20	205	487	7.13	10	2.10	6.3	20632	233	114	0.85	228	437	6.39	10	2.20	7.2	18064	204	114	1.00	275	362	5.30	9	2.30	8.5	15231	172	114	1.20	134	744	10.88	4.0	0.85	6.4	20189	228	114	0.90		GR167R107 GRF167R107		4P	151	659	9.64	4.8	0.90	7.3	17621	199	114	1.00	189	529	7.74	4.4	1.10	4.0	34178	183.34		128	1.00		GR177 GRF177			8P	215	464	6.79	5.0	1.15	4.4	30682	164.59	128	1.15	244	409	5.99	5.4	1.25	5.0	27007	144.87	128	1.30	275	363	5.31	5.8	1.30			5.7	23724	127.26			128			1.45			GR177 GRF177			6P	224	469	6.52	16	2.45	4.8	28274	201.53	128	1.25	247	425	5.91	12	3.20	5.3	25721	183.34	128	1.35	273	385	5.35	12	3.65	5.9	23091	164.59	128	1.50	304	345	4.80	10	3.85	6.7	20325	144.87	128	1.70	374	281	3.90	6.0	4.80	7.6	17854	127.26	128	1.95	410	256	3.56	6.0	5.60	
22	4484	65.60	23	0.90	323	317	4.52	6.8	1.80	GRX97 GRXF97	4P																																																																																																																																																																																																																																																																																																																																																																																																																																																																																																																																																																																																													
25	4061	59.41	26	1.00	361	283	4.04	6.6	2.00																																																																																																																																																																																																																																																																																																																																																																																																																																																																																																																																																																																																															
28	3601	52.68	26	1.10	401	255	3.64	6.5	2.20																																																																																																																																																																																																																																																																																																																																																																																																																																																																																																																																																																																																															
31	3256	47.63	25	1.25	442	232	3.30	6.3	2.50																																																																																																																																																																																																																																																																																																																																																																																																																																																																																																																																																																																																															
36	2759	40.37	24	1.45	500	205	2.92	6.1	2.80																																																																																																																																																																																																																																																																																																																																																																																																																																																																																																																																																																																																															
41	2410	35.26	24	1.65	553	185	2.64	6.0	3.10																																																																																																																																																																																																																																																																																																																																																																																																																																																																																																																																																																																																															
50	2016	29.49	23	2.00	652	157	2.24	5.7	3.60																																																																																																																																																																																																																																																																																																																																																																																																																																																																																																																																																																																																															
47	2103	30.77	23	1.90	745	138	1.96	5.5	4.00																																																																																																																																																																																																																																																																																																																																																																																																																																																																																																																																																																																																															
53	1885	27.58	22	2.10	890	115	1.64	5.2	4.20																																																																																																																																																																																																																																																																																																																																																																																																																																																																																																																																																																																																															
59	1702	24.90	22	2.40	1028	100	1.42	5.0	4.40																																																																																																																																																																																																																																																																																																																																																																																																																																																																																																																																																																																																															
65	1546	22.62	21	2.60	420	244	3.48	4.8	1.60																																																																																																																																																																																																																																																																																																																																																																																																																																																																																																																																																																																																															
73	1372	20.07	21	2.90	472	217	3.09	4.7	1.80																																																																																																																																																																																																																																																																																																																																																																																																																																																																																																																																																																																																															
80	1245	18.21	20	3.20	529	194	2.76	4.6	2.00																																																																																																																																																																																																																																																																																																																																																																																																																																																																																																																																																																																																															
34	2924	42.78	14	0.95	589	174	2.48	4.4	2.20																																																																																																																																																																																																																																																																																																																																																																																																																																																																																																																																																																																																															
39	2538	37.13	18	1.10	679	151	2.15	4.3	2.50																																																																																																																																																																																																																																																																																																																																																																																																																																																																																																																																																																																																															
44	2273	33.25	18	1.20	756	135	1.93	4.2	2.50																																																																																																																																																																																																																																																																																																																																																																																																																																																																																																																																																																																																															
53	1885	27.58	17	1.35	913	112	1.60	4.0	2.70																																																																																																																																																																																																																																																																																																																																																																																																																																																																																																																																																																																																															
58	1711	25.03	17	1.55	1050	98	1.39	3.8	2.90																																																																																																																																																																																																																																																																																																																																																																																																																																																																																																																																																																																																															
65	1529	22.37	16	1.65	601	171	2.43	1.8	1.20																																																																																																																																																																																																																																																																																																																																																																																																																																																																																																																																																																																																															
72	1377	20.14	16	1.80	685	149	2.13	2.0	1.30																																																																																																																																																																																																																																																																																																																																																																																																																																																																																																																																																																																																															
80	1247	18.24	16	1.90	777	132	1.88	2.2	1.35																																																																																																																																																																																																																																																																																																																																																																																																																																																																																																																																																																																																															
90	1105	16.17	15	2.00	874	117	1.67	2.3	1.40																																																																																																																																																																																																																																																																																																																																																																																																																																																																																																																																																																																																															
100	999	14.62	15	2.20	1028	100	1.42	2.5	1.50																																																																																																																																																																																																																																																																																																																																																																																																																																																																																																																																																																																																															
118	847	12.39	14	2.40	15.0kW																																																																																																																																																																																																																																																																																																																																																																																																																																																																																																																																																																																																																			
135	740	10.83	14	2.70	3.4	42875	428	128	0.85	GR177R107 GRF177R107	4P																																																																																																																																																																																																																																																																																																																																																																																																																																																																																																																																																																																																													
157	635	9.29	14	3.00	3.8	38467	384	128	0.95																																																																																																																																																																																																																																																																																																																																																																																																																																																																																																																																																																																																															
174	573	8.39	13	3.30	4.2	34761	347	128	1.05																																																																																																																																																																																																																																																																																																																																																																																																																																																																																																																																																																																																															
205	487	7.12	13	3.80	4.6	31555	315	128	1.15																																																																																																																																																																																																																																																																																																																																																																																																																																																																																																																																																																																																															
235	424	6.21	12	4.20	5.2	27949	279	128	1.30																																																																																																																																																																																																																																																																																																																																																																																																																																																																																																																																																																																																															
68	1476	21.60	13	0.95	5.7	25444	254	128	1.45																																																																																																																																																																																																																																																																																																																																																																																																																																																																																																																																																																																																															
76	1311	19.18	12	1.05	6.7	21838	218	128	1.70																																																																																																																																																																																																																																																																																																																																																																																																																																																																																																																																																																																																															
85	1172	17.15	12	1.10	7.7	19033	190	128	1.90																																																																																																																																																																																																																																																																																																																																																																																																																																																																																																																																																																																																															
95	1054	15.42	12	1.20	9.1	16128	161	128	2.25																																																																																																																																																																																																																																																																																																																																																																																																																																																																																																																																																																																																															
109	915	13.38	12	1.30	3.0	46998	479	128	0.80	GR177R97 GRF177R97	4P																																																																																																																																																																																																																																																																																																																																																																																																																																																																																																																																																																																																													
122	819	11.98	11	1.40	3.2	44545	454	128	0.80																																																																																																																																																																																																																																																																																																																																																																																																																																																																																																																																																																																																															
147	679	9.94	11	1.65	3.6	39835	406	128	0.90																																																																																																																																																																																																																																																																																																																																																																																																																																																																																																																																																																																																															
160	625	9.14	11	1.80	4.1	34733	354	128	1.05																																																																																																																																																																																																																																																																																																																																																																																																																																																																																																																																																																																																															
178	562	8.22	11	1.95	4.8	29729	303	128	1.20																																																																																																																																																																																																																																																																																																																																																																																																																																																																																																																																																																																																															
205	487	7.13	10	2.10	6.3	20632	233	114	0.85																																																																																																																																																																																																																																																																																																																																																																																																																																																																																																																																																																																																															
228	437	6.39	10	2.20	7.2	18064	204	114	1.00																																																																																																																																																																																																																																																																																																																																																																																																																																																																																																																																																																																																															
275	362	5.30	9	2.30	8.5	15231	172	114	1.20																																																																																																																																																																																																																																																																																																																																																																																																																																																																																																																																																																																																															
134	744	10.88	4.0	0.85	6.4	20189	228	114	0.90	GR167R107 GRF167R107	4P																																																																																																																																																																																																																																																																																																																																																																																																																																																																																																																																																																																																													
151	659	9.64	4.8	0.90	7.3	17621	199	114	1.00																																																																																																																																																																																																																																																																																																																																																																																																																																																																																																																																																																																																															
189	529	7.74	4.4	1.10	4.0	34178	183.34	128	1.00	GR177 GRF177	8P																																																																																																																																																																																																																																																																																																																																																																																																																																																																																																																																																																																																													
215	464	6.79	5.0	1.15	4.4	30682	164.59	128	1.15																																																																																																																																																																																																																																																																																																																																																																																																																																																																																																																																																																																																															
244	409	5.99	5.4	1.25	5.0	27007	144.87	128	1.30																																																																																																																																																																																																																																																																																																																																																																																																																																																																																																																																																																																																															
275	363	5.31	5.8	1.30	5.7	23724	127.26	128	1.45	GR177 GRF177	6P																																																																																																																																																																																																																																																																																																																																																																																																																																																																																																																																																																																																													
224	469	6.52	16	2.45	4.8	28274	201.53	128	1.25																																																																																																																																																																																																																																																																																																																																																																																																																																																																																																																																																																																																															
247	425	5.91	12	3.20	5.3	25721	183.34	128	1.35																																																																																																																																																																																																																																																																																																																																																																																																																																																																																																																																																																																																															
273	385	5.35	12	3.65	5.9	23091	164.59	128	1.50																																																																																																																																																																																																																																																																																																																																																																																																																																																																																																																																																																																																															
304	345	4.80	10	3.85	6.7	20325	144.87	128	1.70																																																																																																																																																																																																																																																																																																																																																																																																																																																																																																																																																																																																															
374	281	3.90	6.0	4.80	7.6	17854	127.26	128	1.95																																																																																																																																																																																																																																																																																																																																																																																																																																																																																																																																																																																																															
410	256	3.56	6.0	5.60																																																																																																																																																																																																																																																																																																																																																																																																																																																																																																																																																																																																																				

选型参数表
(恒功率)

Selection Table
(Constant Power)

n_a [r/min]	M_a [Nm]	i	F_{ra} [kN]	f_B	机型号 Type size	极数 Pole	n_a [r/min]	M_a [Nm]	i	F_{ra} [kN]	f_B	机型号 Type size	极数 Pole																																																																																																																																																																																																																																																																																																																																																																																																																																																																																						
15.0kW							15.0kW																																																																																																																																																																																																																																																																																																																																																																																																																																																																																												
7.2	18785	201.53	128	1.85	GR177 GRF177	4P	53	2570.7	27.58	16	1.00	GR97 GRF97	4P																																																																																																																																																																																																																																																																																																																																																																																																																																																																																						
8.0	17089	183.34	128	2.05			8.9	15341	164.59	128	2.25	10		13503	144.87	128	2.60	11	11862	127.26	128	2.90	6.4	21277	151.66	114	0.80	GR167 GRF167	6P	58	2333	25.03	15	1.15	GR97 GRF97	4P	6.9	19670	140.20	114	0.85	7.9	17203	122.62	114	1.00	9.2	14713	104.87	114	1.15	6.3	21577	231.49	114	0.80	7.8	17444	187.15	114	1.00	9.6	14136	151.66	114	1.20	10	13068	140.20	114	1.30	12	11429	122.62	114	1.50	14	9775	104.87	114	1.70	16	8684	93.17	114	1.95	18	7763	83.28	114	2.20	20	6833	73.31	114	2.50	22	6318	67.78	114	2.70	8.9	15249	108.69	33	0.80	GR147 GRF147	6P	85	1599	17.15	11	0.85	GR87 GRF87	4P	10	13296	94.77	57	0.95	12	11697	83.37	61	1.05	14	9943	70.87	63	1.20	15	9372	66.80	64	1.30	8.9	15241	163.51	34	0.80	GR147 GRF147	4P	95	1437	15.42	11	0.90	GRX137 GRXF137	4P	9.9	13678	146.74	54	0.90	12	11113	119.22	62	1.10	13	10131	108.69	63	1.20	15	8834	94.77	65	1.40	18	7771	83.37	66	1.60	21	6606	70.87	68	1.85	22	6226	66.80	68	2.00	24	5677	60.90	68	2.20	28	4949	53.09	69	2.50	31	4354	46.71	69	2.80	37	3700	39.70	69	3.30	42	3260	34.97	69	3.70	14	9634	103.36	29	0.80	GR147 GRF147	4P	109	1247	13.38	11	1.00	GRX107 GRXF107	4P	16	8282	88.85	48	0.90	18	7585	81.38	51	1.00	20	6889	73.91	52	1.10	22	6113	65.58	54	1.25	25	5547	59.51	54	1.40	29	4768	51.15	55	1.60	33	4162	44.65	56	1.85	39	3530	37.87	57	2.20	44	3085	33.10	57	2.50	52	2609	27.99	57	2.80	60	2272	24.38	57	3.20	66	2071	22.22	57	3.50	75	1806	19.38	57	4.00	31	4440	47.63	23	0.90	GR137 GRF137	4P	122	1117	11.98	11	1.05	GRX97 GRXF97	4P	36	3763	40.37	23	1.10	41	3287	35.26	22	1.25	50	2749	29.49	21	1.50	47	2868	30.77	22	1.40	53	2571	27.58	21	1.60	59	2321	24.90	21	1.75	65	2108	22.62	20	1.95	73	1871	20.07	20	2.20	80	1697	18.21	19	2.40	93	1459	15.65	19	2.80	107	1273	13.66	18	3.20	420	333	3.48	4.0	1.20	GR107 GRF107	4P	472	296	3.09	4.3	1.35	GRX87 GRXF87	4P	529	264	2.76	4.2	1.50	589	237	2.48	4.1	1.65	679	206	2.15	4.0	1.80	756	185	1.93	3.9	1.90	913	153	1.60	3.8	2.00	1050	133	1.39	3.6	2.10																																																																																		
8.9	15341	164.59	128	2.25			10	13503	144.87	128	2.60	11		11862	127.26	128	2.90	6.4	21277	151.66	114	0.80	GR167 GRF167	6P	58	2333	25.03			15	1.15	GR97 GRF97	4P	6.9			19670	140.20	114	0.85	7.9	17203	122.62	114	1.00	9.2	14713	104.87	114	1.15	6.3	21577	231.49	114	0.80	7.8	17444	187.15	114	1.00	9.6	14136	151.66	114	1.20	10	13068	140.20	114	1.30	12	11429	122.62	114	1.50	14	9775	104.87	114	1.70	16	8684	93.17	114	1.95	18	7763	83.28	114	2.20	20	6833	73.31	114	2.50	22	6318	67.78	114	2.70	8.9	15249	108.69	33	0.80	GR147 GRF147			6P	85	1599	17.15	11			0.85	GR87 GRF87	4P	10	13296	94.77	57	0.95	12	11697	83.37	61	1.05	14	9943	70.87	63	1.20	15	9372	66.80	64	1.30	8.9	15241			163.51	34	0.80	GR147 GRF147	4P			95	1437	15.42	11	0.90	GRX137 GRXF137	4P	9.9	13678	146.74	54	0.90	12	11113	119.22	62	1.10	13	10131	108.69	63	1.20	15	8834	94.77	65	1.40	18	7771	83.37	66	1.60	21	6606	70.87	68	1.85	22	6226	66.80	68	2.00	24	5677	60.90	68	2.20	28	4949	53.09	69	2.50	31	4354	46.71	69	2.80	37	3700	39.70	69	3.30	42	3260	34.97			69	3.70	14	9634	103.36			29	0.80	GR147 GRF147	4P	109	1247	13.38	11	1.00	GRX107 GRXF107	4P	16	8282	88.85	48	0.90	18	7585	81.38	51	1.00	20	6889	73.91	52	1.10	22	6113	65.58	54	1.25	25	5547	59.51	54	1.40	29	4768	51.15	55	1.60	33	4162	44.65	56	1.85	39	3530	37.87	57	2.20	44	3085	33.10	57	2.50	52	2609	27.99	57	2.80	60	2272	24.38	57	3.20	66	2071	22.22	57			3.50	75	1806	19.38	57			4.00	31	4440	47.63	23	0.90	GR137 GRF137	4P	122	1117	11.98	11	1.05	GRX97 GRXF97	4P	36	3763	40.37	23	1.10	41	3287	35.26	22	1.25	50	2749	29.49	21	1.50	47	2868	30.77	22	1.40	53	2571	27.58	21	1.60	59	2321	24.90	21	1.75	65	2108	22.62	20	1.95	73	1871	20.07	20	2.20	80	1697	18.21	19	2.40			93	1459	15.65	19	2.80			107	1273	13.66	18	3.20	420	333	3.48	4.0	1.20	GR107 GRF107	4P	472	296	3.09	4.3	1.35	GRX87 GRXF87	4P	529	264	2.76	4.2	1.50	589	237	2.48	4.1	1.65	679	206	2.15	4.0	1.80	756	185	1.93	3.9	1.90	913	153	1.60	3.8	2.00	1050	133	1.39	3.6	2.10																																																															
10	13503	144.87	128	2.60			11	11862	127.26	128	2.90	6.4		21277	151.66	114	0.80	GR167 GRF167	6P	58	2333	25.03			15	1.15	GR97 GRF97			4P	6.9			19670			140.20	114	0.85	7.9	17203	122.62	114	1.00	9.2	14713	104.87	114	1.15	6.3	21577	231.49	114	0.80	7.8	17444	187.15	114	1.00	9.6	14136	151.66	114	1.20	10	13068	140.20	114	1.30	12	11429	122.62	114	1.50	14	9775	104.87	114	1.70	16	8684	93.17	114	1.95	18	7763	83.28	114	2.20	20	6833	73.31	114	2.50	22	6318	67.78	114	2.70	8.9	15249	108.69	33	0.80	GR147 GRF147					6P	85	1599	17.15			11			0.85	GR87 GRF87	4P	10	13296	94.77	57	0.95	12	11697	83.37	61	1.05	14	9943	70.87	63	1.20	15	9372	66.80	64			1.30	8.9	15241					163.51	34	0.80	GR147 GRF147	4P			95	1437	15.42	11	0.90	GRX137 GRXF137	4P	9.9	13678	146.74	54	0.90	12	11113	119.22	62	1.10	13	10131	108.69	63	1.20	15	8834	94.77	65	1.40	18	7771	83.37	66	1.60	21	6606	70.87	68	1.85	22	6226	66.80	68	2.00	24	5677	60.90	68	2.20	28	4949	53.09	69	2.50	31	4354	46.71	69	2.80	37			3700	39.70	69	3.30	42			3260	34.97			69	3.70	14	9634	103.36			29	0.80	GR147 GRF147	4P	109	1247	13.38	11	1.00	GRX107 GRXF107	4P	16	8282	88.85	48	0.90	18	7585	81.38	51	1.00	20	6889	73.91	52	1.10	22	6113	65.58	54	1.25	25	5547	59.51	54	1.40	29	4768	51.15	55	1.60	33	4162	44.65	56	1.85	39	3530	37.87	57	2.20	44	3085	33.10	57	2.50	52	2609	27.99			57	2.80	60	2272	24.38			57	3.20	66	2071	22.22	57			3.50	75	1806	19.38	57			4.00	31	4440	47.63	23	0.90	GR137 GRF137	4P	122	1117	11.98	11	1.05	GRX97 GRXF97	4P	36	3763	40.37	23	1.10	41	3287	35.26	22	1.25	50	2749	29.49	21	1.50	47	2868	30.77	22	1.40	53	2571	27.58	21	1.60	59	2321	24.90	21	1.75			65	2108	22.62	20	1.95			73	1871	20.07	20	2.20	80	1697	18.21	19	2.40			93	1459	15.65	19	2.80			107	1273	13.66	18	3.20	420	333	3.48	4.0	1.20	GR107 GRF107	4P	472	296	3.09	4.3	1.35	GRX87 GRXF87	4P	529	264	2.76	4.2	1.50	589	237	2.48	4.1	1.65	679	206	2.15	4.0	1.80	756	185	1.93	3.9	1.90	913	153	1.60	3.8	2.00	1050	133	1.39	3.6	2.10																																												
11	11862	127.26	128	2.90			6.4	21277	151.66	114	0.80	GR167 GRF167		6P	58	2333	25.03			15	1.15	GR97 GRF97			4P	6.9					19670			140.20			114	0.85	7.9	17203	122.62	114	1.00	9.2	14713	104.87	114	1.15	6.3	21577	231.49	114	0.80	7.8	17444	187.15	114	1.00	9.6	14136	151.66	114	1.20	10	13068	140.20	114	1.30	12	11429	122.62	114	1.50	14	9775	104.87	114	1.70	16	8684	93.17	114	1.95	18	7763	83.28	114	2.20	20	6833	73.31	114	2.50	22	6318	67.78	114	2.70	8.9	15249	108.69	33	0.80	GR147 GRF147							6P	85	1599			17.15			11			0.85	GR87 GRF87	4P	10	13296	94.77	57	0.95	12	11697	83.37	61	1.05	14	9943	70.87	63	1.20	15			9372	66.80	64					1.30	8.9	15241					163.51	34	0.80	GR147 GRF147	4P			95	1437	15.42	11	0.90	GRX137 GRXF137	4P	9.9	13678	146.74	54	0.90	12	11113	119.22	62	1.10	13	10131	108.69	63	1.20	15	8834	94.77	65	1.40	18	7771	83.37	66	1.60	21	6606	70.87	68	1.85	22	6226	66.80	68	2.00	24	5677	60.90	68	2.20	28	4949	53.09	69			2.50	31	4354	46.71	69			2.80	37			3700	39.70	69	3.30	42			3260	34.97			69	3.70	14	9634	103.36			29	0.80	GR147 GRF147	4P	109	1247	13.38	11	1.00	GRX107 GRXF107	4P	16	8282	88.85	48	0.90	18	7585	81.38	51	1.00	20	6889	73.91	52	1.10	22	6113	65.58	54	1.25	25	5547	59.51	54	1.40	29	4768	51.15	55	1.60	33	4162	44.65	56	1.85	39	3530			37.87	57	2.20	44	3085			33.10	57	2.50	52	2609	27.99			57	2.80	60	2272	24.38			57	3.20	66	2071	22.22	57			3.50	75	1806	19.38	57			4.00	31	4440	47.63	23	0.90	GR137 GRF137	4P	122	1117	11.98	11	1.05	GRX97 GRXF97	4P	36	3763	40.37	23	1.10	41	3287	35.26	22	1.25	50	2749	29.49	21	1.50			47	2868	30.77	22	1.40			53	2571	27.58	21	1.60	59	2321	24.90	21	1.75			65	2108	22.62	20	1.95			73	1871	20.07	20	2.20	80	1697	18.21	19	2.40			93	1459	15.65	19	2.80			107	1273	13.66	18	3.20	420	333	3.48	4.0	1.20	GR107 GRF107	4P	472	296	3.09	4.3	1.35	GRX87 GRXF87	4P	529	264	2.76	4.2	1.50	589	237	2.48	4.1	1.65	679	206	2.15	4.0	1.80	756	185	1.93	3.9	1.90	913	153	1.60	3.8	2.00	1050	133	1.39	3.6	2.10																									
6.4	21277	151.66	114	0.80	GR167 GRF167	6P	58	2333	25.03	15	1.15		GR97 GRF97		4P																																																																																																																																																																																																																																																																																																																																																																																																																																																																																				
6.9	19670	140.20	114	0.85			7.9	17203	122.62	114	1.00					9.2	14713			104.87	114					1.15		6.3	21577		231.49			114			0.80	7.8	17444	187.15	114	1.00	9.6	14136	151.66	114	1.20	10	13068	140.20	114	1.30	12	11429	122.62	114	1.50	14	9775	104.87	114	1.70	16	8684	93.17	114	1.95	18	7763	83.28	114	2.20	20	6833	73.31	114	2.50	22	6318	67.78	114	2.70	8.9	15249	108.69	33	0.80	GR147 GRF147	6P	85	1599	17.15	11	0.85	GR87 GRF87	4P	10	13296	94.77	57	0.95	12	11697				83.37	61				1.05	14			9943			70.87			63			1.20	15	9372	66.80	64	1.30	8.9	15241	163.51	34	0.80	GR147 GRF147	4P	95	1437	15.42			11	0.90	GRX137 GRXF137					4P	9.9	13678					146.74	54	0.90					12	11113	119.22	62	1.10			13	10131	108.69	63	1.20	15	8834	94.77	65	1.40	18	7771	83.37	66	1.60	21	6606	70.87	68	1.85	22	6226	66.80	68	2.00	24	5677	60.90	68	2.20	28	4949	53.09	69	2.50	31	4354	46.71	69	2.80	37	3700	39.70	69			3.30	42	3260	34.97	69			3.70	14			9634	103.36	29	0.80	GR147 GRF147			4P	109			1247	13.38	11	1.00	GRX107 GRXF107			4P	16			8282	88.85	48	0.90	18			7585	81.38	51	1.00	20	6889	73.91	52	1.10	22	6113	65.58	54	1.25	25	5547	59.51	54	1.40	29	4768	51.15	55	1.60	33	4162	44.65	56	1.85	39	3530	37.87	57	2.20	44	3085	33.10	57	2.50	52	2609	27.99	57	2.80			60	2272	24.38	57	3.20	66			2071	22.22	57	3.50	75			1806	19.38	57	4.00	31	4440			47.63	23	0.90	GR137 GRF137	4P			122	1117	11.98	11	1.05	GRX97 GRXF97			4P	36	3763	40.37	23			1.10	41	3287	35.26	22	1.25	50	2749	29.49	21	1.50	47	2868	30.77	22			1.40	53	2571	27.58	21			1.60	59	2321	24.90	21	1.75	65	2108	22.62	20			1.95	73	1871	20.07	20			2.20	80	1697	18.21	19	2.40	93	1459	15.65	19			2.80	107	1273	13.66	18			3.20	420	333	3.48	4.0	1.20	GR107 GRF107	4P	472	296			3.09	4.3	1.35	GRX87 GRXF87	4P			529	264	2.76	4.2	1.50	589	237	2.48	4.1	1.65	679	206	2.15	4.0	1.80	756	185	1.93	3.9	1.90	913	153	1.60	3.8	2.00	1050	133	1.39	3.6	2.10																									
7.9	17203	122.62	114	1.00			9.2	14713	104.87	114	1.15					6.3	21577			231.49	114		0.80	7.8		17444		187.15	114		1.00			9.6			14136	151.66	114	1.20	10	13068	140.20	114	1.30	12	11429	122.62	114	1.50	14	9775	104.87	114	1.70	16	8684	93.17	114	1.95	18	7763	83.28	114	2.20	20	6833	73.31	114	2.50	22	6318	67.78	114	2.70	8.9	15249	108.69	33	0.80	GR147 GRF147	6P	85	1599	17.15	11	0.85			GR87 GRF87	4P	10	13296	94.77			57	0.95	12	11697	83.37	61	1.05			14	9943	70.87	63			1.20	15			9372			66.80			64			1.30	8.9	15241	163.51	34	0.80	GR147 GRF147	4P	95	1437	15.42			11	0.90	GRX137 GRXF137			4P	9.9							13678	146.74					54	0.90	12					11113	119.22	62	1.10	13			10131	108.69	63	1.20	15	8834	94.77	65	1.40	18	7771	83.37	66	1.60	21	6606	70.87	68	1.85	22	6226	66.80	68	2.00	24	5677	60.90	68	2.20	28	4949	53.09	69	2.50	31	4354	46.71	69	2.80	37	3700	39.70	69	3.30			42	3260	34.97	69	3.70			14	9634			103.36	29	0.80	GR147 GRF147					4P			109	1247	13.38	11					1.00			GRX107 GRXF107	4P	16	8282	88.85			48	0.90	18	7585	81.38	51	1.00	20	6889	73.91	52	1.10	22	6113	65.58	54	1.25	25	5547	59.51	54	1.40	29	4768	51.15	55	1.60	33	4162	44.65	56	1.85	39	3530	37.87	57	2.20	44	3085	33.10	57	2.50	52	2609			27.99	57	2.80	60	2272	24.38	57	3.20	66	2071	22.22	57	3.50			75	1806	19.38	57	4.00	31			4440	47.63	23					0.90	GR137 GRF137	4P	122	1117					11.98	11	1.05	GRX97 GRXF97			4P	36	3763	40.37	23	1.10	41	3287	35.26	22	1.25	50	2749	29.49	21			1.50	47	2868	30.77	22			1.40	53	2571	27.58	21	1.60	59	2321	24.90	21			1.75	65	2108	22.62	20			1.95	73	1871	20.07	20	2.20	80	1697	18.21	19			2.40	93	1459	15.65	19			2.80	107	1273	13.66	18	3.20			420	333			3.48	4.0	1.20					GR107 GRF107	4P	472	296	3.09	4.3	1.35	GRX87 GRXF87	4P	529	264	2.76	4.2	1.50	589	237	2.48	4.1	1.65	679	206	2.15	4.0	1.80	756	185	1.93	3.9	1.90	913	153	1.60	3.8	2.00	1050	133	1.39	3.6	2.10																
9.2	14713	104.87	114	1.15			6.3	21577	231.49	114	0.80					7.8	17444	187.15	114	1.00	9.6		14136	151.66		114		1.20	10		13068			140.20			114	1.30	12	11429	122.62	114	1.50	14	9775	104.87	114	1.70	16	8684	93.17	114	1.95	18	7763	83.28	114	2.20	20	6833	73.31	114	2.50	22	6318	67.78	114	2.70	8.9	15249	108.69	33	0.80	GR147 GRF147	6P	85	1599	17.15	11	0.85			GR87 GRF87	4P	10	13296	94.77					57	0.95	12			11697	83.37	61	1.05	14	9943	70.87		63	1.20	15	9372	66.80	64		1.30	8.9			15241			163.51			34			0.80	GR147 GRF147	4P	95	1437	15.42			11	0.90	GRX137 GRXF137			4P	9.9					13678							146.74	54					0.90	12	11113					119.22	62	1.10	13	10131			108.69	63	1.20	15	8834	94.77	65	1.40	18	7771	83.37	66	1.60	21	6606	70.87	68	1.85	22	6226	66.80	68	2.00	24	5677	60.90	68	2.20	28	4949	53.09	69	2.50	31	4354	46.71	69	2.80	37	3700	39.70	69	3.30	42			3260	34.97	69	3.70	14			9634	103.36			29	0.80	GR147 GRF147									4P	109	1247	13.38					11					1.00	GRX107 GRXF107	4P			16	8282	88.85	48	0.90	18	7585	81.38	51	1.00	20	6889	73.91	52	1.10	22	6113	65.58	54	1.25	25	5547	59.51	54	1.40	29	4768	51.15	55	1.60	33	4162	44.65	56	1.85	39	3530	37.87	57	2.20	44	3085	33.10	57			2.50	52	2609	27.99	57	2.80	60	2272	24.38	57	3.20	66	2071			22.22	57	3.50	75	1806	19.38	57	4.00	31	4440	47.63					23			0.90	GR137 GRF137					4P	122	1117					11.98	11	1.05	GRX97 GRXF97	4P	36	3763	40.37	23	1.10	41	3287	35.26	22			1.25	50	2749	29.49	21			1.50	47	2868	30.77	22	1.40	53	2571	27.58	21			1.60	59	2321	24.90	21			1.75	65	2108	22.62	20	1.95	73	1871	20.07	20			2.20	80	1697	18.21	19			2.40	93	1459	15.65	19	2.80			107	1273			13.66	18	3.20							420	333	3.48	4.0	1.20			GR107 GRF107	4P	472	296	3.09	4.3	1.35	GRX87 GRXF87	4P	529	264	2.76	4.2	1.50	589	237	2.48	4.1	1.65	679	206	2.15	4.0	1.80	756	185	1.93	3.9	1.90	913	153	1.60	3.8	2.00	1050	133	1.39	3.6	2.10							
6.3	21577	231.49	114	0.80			7.8	17444	187.15	114	1.00	9.6		14136		151.66	114	1.20	10	13068	140.20		114	1.30		12		11429	122.62		114			1.50			14	9775	104.87	114	1.70	16	8684	93.17	114	1.95	18	7763	83.28	114	2.20	20	6833	73.31	114	2.50	22	6318	67.78	114	2.70	8.9	15249	108.69	33	0.80	GR147 GRF147	6P	85	1599	17.15	11	0.85			GR87 GRF87	4P	10	13296	94.77					57	0.95	12					11697	83.37	61			1.05	14	9943	70.87	63	1.20	15	9372	66.80	64	1.30	8.9	15241	163.51	34	0.80	GR147 GRF147			4P			95			1437			15.42			11	0.90	GRX137 GRXF137			4P	9.9					13678					146.74							54	0.90					12	11113	119.22					62	1.10	13	10131	108.69			63	1.20	15	8834	94.77	65	1.40	18	7771	83.37	66	1.60	21	6606	70.87	68	1.85	22	6226	66.80	68	2.00	24	5677	60.90	68	2.20	28	4949	53.09	69	2.50	31	4354	46.71	69	2.80	37	3700	39.70	69	3.30	42	3260			34.97	69	3.70	14	9634			103.36	29			0.80	GR147 GRF147											4P	109	1247					13.38					11					1.00	GRX107 GRXF107	4P	16	8282	88.85	48	0.90	18	7585	81.38	51	1.00	20	6889	73.91	52	1.10	22	6113	65.58	54	1.25	25	5547	59.51	54	1.40	29	4768	51.15	55	1.60	33	4162	44.65	56	1.85	39	3530	37.87	57	2.20	44			3085	33.10	57	2.50	52	2609	27.99	57	2.80	60	2272	24.38	57			3.20	66	2071	22.22	57	3.50	75	1806	19.38	57	4.00					31			4440			47.63	23			0.90	GR137 GRF137					4P	122	1117			11.98	11	1.05	GRX97 GRXF97	4P	36	3763	40.37	23			1.10	41	3287	35.26	22			1.25	50	2749	29.49	21	1.50	47	2868	30.77	22			1.40	53	2571	27.58	21			1.60	59	2321	24.90	21	1.75	65	2108	22.62	20			1.95	73	1871	20.07	20			2.20	80	1697	18.21	19	2.40			93	1459			15.65	19	2.80							107	1273	13.66	18	3.20					420	333	3.48	4.0	1.20			GR107 GRF107	4P	472	296	3.09	4.3	1.35	GRX87 GRXF87	4P	529	264	2.76	4.2	1.50	589	237	2.48	4.1	1.65	679	206	2.15	4.0	1.80	756	185	1.93	3.9	1.90	913	153	1.60	3.8	2.00	1050	133	1.39
7.8	17444	187.15	114	1.00	9.6	14136	151.66	114	1.20	10	13068	140.20		114		1.30	12	11429	122.62	114	1.50		14	9775		104.87		114	1.70		16			8684			93.17	114	1.95	18	7763	83.28	114	2.20	20	6833	73.31	114	2.50	22	6318	67.78	114	2.70	8.9	15249	108.69	33	0.80	GR147 GRF147	6P	85	1599	17.15	11	0.85			GR87 GRF87	4P	10	13296	94.77					57	0.95	12					11697	83.37	61					1.05	14	9943			70.87	63	1.20	15	9372	66.80	64	1.30	8.9	15241	163.51	34	0.80	GR147 GRF147	4P	95							1437			15.42			11			0.90	GRX137 GRXF137					4P					9.9					13678							146.74	54					0.90	12	11113					119.22	62	1.10	13	10131			108.69	63	1.20	15	8834	94.77	65	1.40	18	7771	83.37	66	1.60	21	6606	70.87	68	1.85	22	6226	66.80	68	2.00	24	5677	60.90	68	2.20	28	4949	53.09	69	2.50	31	4354	46.71	69	2.80	37	3700	39.70	69	3.30	42			3260	34.97	69	3.70	14			9634	103.36			29													0.80	GR147 GRF147					4P					109					1247			13.38	11	1.00	GRX107 GRXF107	4P	16	8282	88.85	48	0.90	18	7585	81.38	51	1.00	20	6889	73.91	52	1.10	22	6113	65.58	54	1.25	25	5547	59.51	54	1.40	29	4768	51.15	55	1.60	33	4162	44.65	56	1.85	39			3530	37.87	57	2.20	44	3085	33.10	57	2.50	52	2609	27.99	57			2.80	60	2272	24.38	57	3.20	66	2071	22.22	57	3.50					75			1806			19.38	57			4.00							31	4440			47.63	23	0.90			GR137 GRF137	4P	122	1117			11.98	11	1.05	GRX97 GRXF97	4P			36	3763	40.37	23	1.10	41	3287	35.26	22	1.25			50	2749	29.49	21	1.50			47	2868	30.77	22	1.40	53	2571	27.58	21	1.60			59	2321	24.90	21	1.75			65	2108	22.62	20	1.95	73			1871	20.07			20	2.20	80							1697	18.21	19	2.40	93					1459	15.65	19	2.80	107					1273	13.66	18	3.20	420			333	3.48	4.0	1.20	GR107 GRF107	4P	472	296	3.09	4.3	1.35	GRX87 GRXF87	4P	529	264	2.76	4.2	1.50	589	237	2.48	4.1	1.65	679	206	2.15	4.0	1.80
9.6	14136	151.66	114	1.20	10	13068	140.20	114	1.30	12	11429	122.62		114		1.50	14	9775	104.87	114	1.70		16	8684		93.17		114	1.95		18			7763	83.28	114	2.20	20	6833	73.31	114	2.50	22	6318	67.78	114	2.70	8.9	15249	108.69	33	0.80	GR147 GRF147	6P	85	1599	17.15	11	0.85			GR87 GRF87	4P	10	13296	94.77					57	0.95	12					11697	83.37	61					1.05	14	9943	70.87	63			1.20	15	9372			66.80	64	1.30	8.9	15241	163.51	34	0.80	GR147 GRF147	4P	95	1437	15.42			11		0.90	GRX137 GRXF137				4P			9.9			13678			146.74											54					0.90				12	11113		119.22	62					1.10	13	10131					108.69	63	1.20	15	8834			94.77	65	1.40	18	7771	83.37	66	1.60	21	6606	70.87	68	1.85	22	6226	66.80	68	2.00	24	5677	60.90	68	2.20	28	4949	53.09	69	2.50	31	4354	46.71	69	2.80	37	3700	39.70	69	3.30	42	3260	34.97	69	3.70	14			9634	103.36	29	0.80	GR147 GRF147	4P	109	1247	13.38			11													1.00											GRX107 GRXF107					4P			16	8282	88.85			48	0.90	18	7585	81.38	51	1.00	20	6889	73.91	52	1.10	22	6113	65.58	54	1.25	25	5547	59.51	54	1.40	29	4768	51.15	55	1.60	33	4162	44.65	56	1.85	39	3530	37.87	57	2.20	44	3085	33.10	57	2.50	52	2609	27.99	57	2.80	60	2272	24.38	57			3.20	66	2071	22.22	57	3.50	75	1806	19.38	57	4.00	31	4440			47.63			23			0.90	GR137 GRF137			4P							122	1117			11.98	11	1.05					GRX97 GRXF97	4P	36	3763	40.37	23	1.10			41	3287	35.26	22	1.25	50	2749	29.49	21	1.50	47	2868			30.77	22	1.40	53	2571			27.58	21	1.60	59	2321	24.90	21	1.75	65	2108			22.62	20	1.95	73	1871			20.07	20	2.20	80	1697	18.21			19	2.40			93	1459	15.65							19	2.80	107	1273	13.66					18	3.20	420	333	3.48					4.0	1.20	GR107 GRF107	4P	472			296	3.09	4.3	1.35			GRX87 GRXF87	4P	529	264	2.76			4.2	1.50	589	237	2.48	4.1	1.65	679	206	2.15	4.0	1.80	756	185	1.93
10	13068	140.20	114	1.30	12	11429	122.62	114	1.50	14	9775	104.87		114		1.70	16	8684	93.17	114	1.95		18	7763		83.28		114	2.20		20	6833	73.31	114	2.50	22	6318	67.78	114	2.70	8.9	15249	108.69	33	0.80	GR147 GRF147	6P	85	1599	17.15	11	0.85			GR87 GRF87	4P	10	13296	94.77					57	0.95	12					11697	83.37	61					1.05	14	9943	70.87	63			1.20	15	9372	66.80	64			1.30	8.9	15241			163.51	34	0.80	GR147 GRF147	4P	95	1437	15.42			11	0.90	GRX137 GRXF137			4P		9.9			13678	146.74				54			0.90			12											11113					119.22				62	1.10		13	10131			108.69	63	1.20	15	8834					94.77	65	1.40	18	7771			83.37	66	1.60	21	6606	70.87	68	1.85	22	6226	66.80	68	2.00	24	5677	60.90	68	2.20	28	4949	53.09	69	2.50	31	4354	46.71	69	2.80	37	3700	39.70	69	3.30	42	3260	34.97	69	3.70	14	9634	103.36	29	0.80	GR147 GRF147			4P	109	1247	13.38			11	1.00	GRX107 GRXF107			4P					16	8282							88.85																			48	0.90	18			7585	81.38	51	1.00	20	6889	73.91	52	1.10	22	6113	65.58	54	1.25	25	5547	59.51	54	1.40	29	4768	51.15	55	1.60	33	4162	44.65	56	1.85	39	3530	37.87	57	2.20	44	3085	33.10	57	2.50	52	2609	27.99	57	2.80	60	2272	24.38	57	3.20	66	2071	22.22	57	3.50	75	1806	19.38	57	4.00	31	4440	47.63	23	0.90	GR137 GRF137	4P			122	1117	11.98	11			1.05											GRX97 GRXF97	4P			36	3763	40.37							23	1.10	41	3287	35.26			22	1.25	50	2749	29.49	21	1.50	47	2868	30.77	22	1.40	53	2571	27.58	21	1.60	59	2321	24.90	21	1.75	65	2108	22.62	20	1.95	73	1871	20.07	20			2.20	80	1697	18.21	19			2.40	93	1459	15.65	19	2.80			107	1273			13.66	18	3.20							420	333	3.48	4.0	1.20					GR107 GRF107	4P	472	296	3.09					4.3	1.35			GRX87 GRXF87			4P	529	264	2.76					4.2	1.50	589			237	2.48	4.1	1.65	679	206	2.15	4.0	1.80	756	185	1.93	3.9	1.90	913
12	11429	122.62	114	1.50	14	9775	104.87	114	1.70	16	8684	93.17		114		1.95	18	7763	83.28	114	2.20		20	6833		73.31	114	2.50	22	6318	67.78	114	2.70	8.9	15249	108.69	33	0.80	GR147 GRF147	6P	85	1599	17.15	11	0.85			GR87 GRF87	4P	10	13296	94.77					57	0.95	12					11697	83.37	61					1.05	14	9943	70.87	63			1.20	15	9372	66.80	64			1.30	8.9	15241	163.51	34			0.80	GR147 GRF147	4P			95	1437	15.42			11	0.90	GRX137 GRXF137			4P	9.9						13678			146.74	54		0.90	12	11113			119.22			62											1.10		13	10131		108.69				63	1.20		15	8834			94.77	65	1.40	18	7771			83.37	66	1.60	21	6606	70.87	68			1.85	22	6226	66.80	68	2.00	24	5677	60.90	68	2.20	28	4949	53.09	69	2.50	31	4354	46.71	69	2.80	37	3700	39.70	69	3.30	42	3260	34.97	69	3.70	14	9634	103.36	29	0.80	GR147 GRF147	4P	109	1247	13.38	11	1.00		GRX107 GRXF107	4P		16	8282	88.85			48	0.90									18	7585							81.38			51	1.00															20	6889	73.91			52	1.10	22	6113	65.58	54	1.25	25	5547	59.51	54	1.40	29	4768	51.15	55	1.60	33	4162	44.65	56	1.85	39	3530	37.87	57	2.20	44	3085	33.10	57	2.50	52	2609	27.99	57	2.80	60	2272	24.38	57	3.20	66	2071	22.22	57	3.50	75	1806	19.38	57	4.00	31	4440	47.63	23	0.90	GR137 GRF137	4P	122	1117	11.98	11	1.05			GRX97 GRXF97	4P	36	3763	40.37	23	1.10		41			3287												35.26	22	1.25							50	2749	29.49	21	1.50			47	2868	30.77	22	1.40	53	2571	27.58	21	1.60	59	2321	24.90	21	1.75	65	2108	22.62	20	1.95	73	1871	20.07	20	2.20	80	1697	18.21	19	2.40	93	1459	15.65	19	2.80	107	1273	13.66	18	3.20	420	333	3.48	4.0	1.20	GR107 GRF107			4P	472			296	3.09	4.3							1.35	GRX87 GRXF87	4P	529	264							2.76	4.2	1.50					589	237							2.48	4.1	1.65					679	206	2.15			4.0	1.80	756	185	1.93	3.9	1.90	913	153	1.60	3.8	2.00	1050	133	1.39
14	9775	104.87	114	1.70	16	8684	93.17	114	1.95	18	7763	83.28		114		2.20	20	6833	73.31	114	2.50	22	6318	67.78	114	2.70	8.9	15249	108.69	33	0.80	GR147 GRF147	6P	85	1599	17.15	11	0.85			GR87 GRF87	4P	10	13296	94.77					57	0.95	12					11697	83.37	61					1.05	14	9943	70.87	63			1.20	15	9372	66.80	64			1.30	8.9	15241	163.51	34			0.80	GR147 GRF147	4P	95	1437			15.42					11	0.90	GRX137 GRXF137			4P	9.9					13678						146.74			54	0.90		12	11113	119.22	62	1.10	13			10131											108.69		63	1.20		15		8834	94.77	65	1.40		18	7771			83.37	66	1.60	21	6606			70.87	68	1.85	22	6226	66.80	68	2.00	24	5677	60.90	68	2.20	28	4949	53.09	69	2.50	31	4354	46.71	69	2.80	37	3700	39.70	69	3.30	42	3260	34.97	69	3.70	14	9634	103.36	29	0.80	GR147 GRF147	4P	109	1247	13.38	11	1.00			GRX107 GRXF107	4P	16	8282	88.85					48	0.90	18			7585	81.38		51	1.00						20	6889							73.91			52	1.10										22	6113				65.58	54	1.25			25	5547	59.51	54	1.40	29	4768	51.15	55	1.60	33	4162	44.65	56	1.85	39	3530	37.87	57	2.20	44	3085	33.10	57	2.50	52	2609	27.99	57	2.80	60	2272	24.38	57	3.20	66	2071	22.22	57	3.50	75	1806	19.38	57	4.00	31	4440	47.63	23	0.90	GR137 GRF137	4P	122	1117	11.98	11	1.05			GRX97 GRXF97	4P	36	3763	40.37					23	1.10	41	3287	35.26		22			1.25		50		2749	29.49		21					1.50	47	2868							30.77	22	1.40	53	2571			27.58	21	1.60	59	2321	24.90	21	1.75	65	2108	22.62	20	1.95	73	1871	20.07	20	2.20	80	1697	18.21	19	2.40	93	1459	15.65	19	2.80	107	1273	13.66	18	3.20	420	333	3.48	4.0	1.20	GR107 GRF107	4P	472	296	3.09	4.3	1.35					GRX87 GRXF87	4P	529	264	2.76	4.2			1.50	589			237			2.48	4.1							1.65	679	206					2.15	4.0							1.80	756	185					1.93	3.9	1.90			913	153	1.60	3.8	2.00	1050	133	1.39	3.6	2.10					
16	8684	93.17	114	1.95	18	7763	83.28	114	2.20	20	6833	73.31	114	2.50	22	6318	67.78	114	2.70	8.9	15249	108.69	33	0.80	GR147 GRF147	6P	85	1599	17.15	11	0.85			GR87 GRF87	4P	10	13296	94.77					57	0.95	12					11697	83.37	61					1.05	14	9943	70.87	63			1.20	15	9372	66.80	64			1.30	8.9	15241	163.51	34			0.80	GR147 GRF147	4P	95	1437			15.42			11	0.90			GRX137 GRXF137					4P	9.9					13678					146.74						54			0.90	12		11113	119.22	62	1.10	13	10131			108.69											63		1.20	15		8834		94.77	65	1.40	18		7771	83.37	66	1.60	21	6606	70.87	68	1.85			22	6226	66.80	68	2.00	24	5677	60.90	68	2.20	28	4949	53.09	69	2.50	31	4354	46.71	69	2.80	37	3700	39.70	69	3.30	42	3260	34.97	69	3.70	14	9634	103.36	29	0.80	GR147 GRF147	4P	109			1247	13.38	11	1.00	GRX107 GRXF107					4P	16	8282					88.85	48	0.90			18	7585		81.38	51						1.00	20			6889	73.91			52			1.10	22										6113	65.58				54	1.25	25			5547	59.51	54	1.40	29	4768	51.15	55	1.60	33	4162	44.65	56	1.85	39	3530	37.87	57	2.20	44	3085	33.10	57	2.50	52	2609	27.99	57	2.80	60	2272	24.38	57	3.20	66	2071	22.22	57	3.50	75	1806	19.38	57	4.00	31	4440	47.63	23	0.90	GR137 GRF137			4P	122	1117	11.98	11					1.05	GRX97 GRXF97	4P					36	3763	40.37	23	1.10		41			3287		35.26		22	1.25		50					2749	29.49	21			1.50	47			2868	30.77	22	1.40	53			2571	27.58	21	1.60	59	2321	24.90	21	1.75	65	2108	22.62	20	1.95	73	1871	20.07	20	2.20	80	1697	18.21	19	2.40	93	1459	15.65	19	2.80	107	1273	13.66	18	3.20	420	333	3.48	4.0			1.20	GR107 GRF107	4P	472	296							3.09	4.3	1.35	GRX87 GRXF87			4P	529			264			2.76	4.2							1.50	589	237					2.48	4.1							1.65	679	206					2.15	4.0	1.80			756	185	1.93	3.9	1.90	913	153	1.60	3.8	2.00	1050	133	1.39	3.6	2.10
18	7763	83.28	114	2.20	20	6833	73.31	114	2.50	22	6318	67.78	114	2.70	8.9	15249	108.69	33	0.80	GR147 GRF147	6P	85	1599	17.15			11	0.85	GR87 GRF87	4P	10					13296	94.77	57					0.95	12	11697					83.37	61	1.05	14	9943			70.87	63	1.20	15	9372			66.80	64	1.30	8.9	15241			163.51	34	0.80	GR147 GRF147	4P			95			1437	15.42			11			0.90	GRX137 GRXF137						4P	9.9		13678					146.74					54						0.90			12	11113		119.22	62	1.10	13	10131	108.69			63											1.20		15	8834		94.77	65	1.40	18	7771	83.37	66	1.60	21	6606	70.87	68	1.85	22	6226	66.80	68	2.00	24	5677	60.90	68	2.20	28	4949	53.09	69	2.50	31	4354	46.71	69	2.80	37	3700	39.70	69	3.30	42	3260	34.97	69	3.70	14	9634	103.36	29	0.80	GR147 GRF147	4P	109	1247	13.38			11			1.00	GRX107 GRXF107	4P	16							8282	88.85					48	0.90	18			7585	81.38		51	1.00						20	6889			73.91	52			1.10		22	6113	65.58	54		1.25	25						5547	59.51				54	1.40	29			4768	51.15	55	1.60	33	4162	44.65	56	1.85	39	3530	37.87	57	2.20	44	3085	33.10	57	2.50	52	2609	27.99	57	2.80	60	2272	24.38	57	3.20	66	2071	22.22	57	3.50	75	1806	19.38	57	4.00	31	4440	47.63	23	0.90	GR137 GRF137	4P	122	1117	11.98					11	1.05	GRX97 GRXF97	4P					36							3763	40.37	23	1.10	41	3287	35.26	22	1.25	50	2749	29.49		21	1.50		47					2868	30.77	22			1.40	53			2571	27.58	21	1.60	59			2321	24.90	21	1.75	65	2108	22.62	20	1.95	73	1871	20.07	20	2.20	80	1697	18.21	19	2.40	93	1459	15.65	19	2.80	107	1273	13.66	18	3.20	420	333	3.48	4.0	1.20	GR107 GRF107	4P	472	296			3.09			4.3	1.35		GRX87 GRXF87	4P				529	264	2.76		4.2	1.50		589			237			2.48	4.1							1.65	679	206					2.15	4.0							1.80	756	185					1.93	3.9	1.90			913	153	1.60	3.8	2.00	1050	133	1.39	3.6	2.10					
20	6833	73.31	114	2.50	22	6318	67.78	114	2.70	8.9	15249	108.69	33	0.80	GR147 GRF147	6P	85	1599	17.15			11	0.85	GR87 GRF87			4P	10			13296					94.77	57	0.95					12	11697	83.37	61	1.05			14	9943	70.87	63	1.20			15	9372	66.80	64	1.30			8.9	15241	163.51	34	0.80			GR147 GRF147	4P	95					1437			15.42	11			0.90			GRX137 GRXF137		4P	9.9					13678		146.74					54					0.90						12			11113	119.22		62	1.10	13	10131	108.69	63			1.20											15	8834	94.77	65	1.40	18	7771	83.37	66	1.60	21	6606	70.87	68	1.85	22	6226	66.80	68	2.00	24	5677	60.90	68	2.20	28	4949	53.09	69	2.50	31	4354	46.71	69	2.80	37	3700	39.70	69	3.30	42	3260	34.97	69	3.70	14	9634	103.36	29	0.80	GR147 GRF147	4P	109			1247	13.38	11			1.00			GRX107 GRXF107			4P							16	8282					88.85	48	0.90			18	7585		81.38	51						1.00	20			6889	73.91			52		1.10	22	6113	65.58		54	1.25	25	5547				59.51	54				1.40	29	4768			51.15	55	1.60	33	4162	44.65	56	1.85	39	3530	37.87	57	2.20	44	3085	33.10	57	2.50	52	2609	27.99	57	2.80	60	2272	24.38	57	3.20	66	2071	22.22	57	3.50	75	1806	19.38	57	4.00	31	4440	47.63	23	0.90	GR137 GRF137			4P	122	1117					11.98	11							1.05			GRX97 GRXF97	4P			36	3763	40.37	23	1.10	41	3287	35.26	22	1.25	50	2749	29.49	21	1.50	47	2868					30.77	22	1.40			53	2571			27.58	21	1.60	59	2321			24.90	21	1.75	65	2108	22.62	20	1.95	73	1871	20.07	20	2.20	80	1697	18.21	19	2.40	93	1459	15.65	19	2.80	107	1273	13.66	18	3.20	420	333	3.48	4.0	1.20	GR107 GRF107			4P	472			296			3.09	4.3							1.35	GRX87 GRXF87	4P		529	264		2.76	4.2	1.50	589			237	2.48	4.1	1.65					679	206	2.15					4.0	1.80							756	185	1.93					3.9	1.90	913			153	1.60	3.8	2.00	1050	133	1.39	3.6	2.10						
22	6318	67.78	114	2.70	8.9	15249	108.69	33	0.80	GR147 GRF147	6P	85	1599	17.15			11	0.85	GR87 GRF87			4P	10					13296			94.77					57	0.95	12	11697	83.37			61	1.05	14	9943	70.87			63	1.20	15	9372	66.80			64	1.30	8.9	15241	163.51			34	0.80	GR147 GRF147	4P	95					1437					15.42			11	0.90	GRX137 GRXF137	4P	9.9						13678					146.74		54					0.90					12						11113			119.22	62		1.10	13	10131	108.69	63	1.20			15							8834	94.77	65	1.40	18	7771	83.37	66	1.60	21	6606	70.87	68	1.85	22	6226	66.80	68	2.00	24	5677	60.90	68	2.20	28	4949	53.09	69	2.50	31	4354	46.71	69	2.80	37	3700	39.70	69	3.30	42	3260	34.97	69	3.70	14	9634	103.36	29	0.80	GR147 GRF147	4P	109	1247	13.38			11			1.00	GRX107 GRXF107	4P			16													8282	88.85					48	0.90	18			7585	81.38		51	1.00					20	6889	73.91	52		1.10	22			6113		65.58	54	1.25	25		5547	59.51	54	1.40		29	4768	51.15	55				1.60	33	4162			44.65	56	1.85	39	3530	37.87	57	2.20	44	3085	33.10	57	2.50	52	2609	27.99	57	2.80	60	2272	24.38	57	3.20	66	2071	22.22	57	3.50	75	1806	19.38	57	4.00	31	4440	47.63	23	0.90	GR137 GRF137	4P	122	1117	11.98					11	1.05					GRX97 GRXF97	4P			36	3763			40.37							23	1.10	41	3287	35.26	22	1.25	50	2749	29.49	21	1.50	47	2868	30.77	22	1.40			53	2571	27.58	21	1.60			59	2321			24.90	21	1.75	65	2108			22.62	20	1.95	73	1871	20.07	20	2.20	80	1697	18.21	19	2.40	93	1459	15.65	19	2.80	107	1273	13.66	18	3.20	420	333	3.48	4.0	1.20	GR107 GRF107	4P	472	296	3.09					4.3			1.35			GRX87 GRXF87	4P							529				264	2.76		4.2	1.50	589	237			2.48	4.1	1.65	679	206	2.15			4.0	1.80	756	185	1.93			3.9	1.90							913	153	1.60					3.8	2.00	1050			133	1.39	3.6	2.10											
8.9	15249	108.69	33	0.80	GR147 GRF147	6P	85	1599	17.15			11	0.85	GR87 GRF87			4P																																																																																																																																																																																																																																																																																																																																																																																																																																																																																		
10	13296	94.77	57	0.95			12	11697	83.37			61	1.05					14					9943		70.87	63		1.20			15	9372	66.80			64	1.30	8.9	15241	163.51			34	0.80	GR147 GRF147	4P	95			1437	15.42	11	0.90	GRX137 GRXF137			4P	9.9	13678	146.74	54			0.90	12			11113	119.22	62			1.10			13	10131	108.69			63	1.20			15						8834					94.77		65					1.40					18						7771			83.37	66		1.60	21	6606	70.87	68	1.85	22	6226	66.80	68	2.00	24	5677	60.90	68	2.20	28	4949	53.09	69	2.50	31	4354	46.71	69	2.80	37	3700	39.70	69	3.30	42	3260	34.97	69	3.70	14	9634	103.36	29	0.80	GR147 GRF147	4P	109	1247	13.38	11	1.00	GRX107 GRXF107	4P	16	8282	88.85	48	0.90	18	7585	81.38	51	1.00	20	6889	73.91	52			1.10	22	6113			65.58			54					1.25													25	5547					59.51	54	1.40			29	4768		51.15	55			1.60	33	4162	44.65	56	1.85	39	3530	37.87	57		2.20		44	3085	33.10	57		2.50	52	2609	27.99		57	2.80	60	2272		24.38	57	3.20	66	2071	22.22	57	3.50	75	1806	19.38	57	4.00	31	4440	47.63	23	0.90	GR137 GRF137	4P	122	1117	11.98	11	1.05	GRX97 GRXF97	4P	36	3763	40.37	23	1.10	41	3287	35.26	22	1.25	50	2749	29.49	21	1.50	47	2868	30.77			22	1.40	53					2571	27.58	21	1.60	59	2321					24.90	21			1.75							65	2108	22.62	20	1.95	73	1871	20.07	20	2.20	80	1697	18.21	19	2.40	93	1459			15.65	19	2.80	107	1273	13.66	18	3.20	420			333	3.48	4.0	1.20	GR107 GRF107	4P	472	296	3.09	4.3	1.35	GRX87 GRXF87	4P	529	264	2.76	4.2	1.50	589	237	2.48	4.1	1.65	679	206	2.15	4.0	1.80	756	185	1.93	3.9	1.90	913	153			1.60	3.8	2.00					1050			133											1.39				3.6	2.10																																																									
12	11697	83.37	61	1.05			14	9943	70.87			63	1.20					15		9372	66.80		64		1.30	8.9		15241			163.51	34	0.80			GR147 GRF147	4P	95	1437	15.42			11	0.90			GRX137 GRXF137			4P	9.9	13678	146.74					54	0.90	12	11113	119.22	62	1.10	13			10131	108.69	63			1.20			15	8834	94.77			65	1.40			18						7771					83.37		66					1.60					21					6606	70.87	68	1.85	22	6226	66.80	68	2.00	24	5677	60.90	68	2.20	28	4949	53.09	69	2.50	31	4354	46.71	69	2.80	37	3700	39.70	69	3.30	42	3260	34.97	69	3.70	14	9634	103.36	29	0.80	GR147 GRF147	4P	109	1247	13.38	11	1.00	GRX107 GRXF107	4P			16	8282	88.85	48	0.90			18	7585	81.38	51	1.00	20	6889	73.91	52	1.10	22	6113	65.58	54			1.25	25	5547			59.51			54					1.40													29	4768					51.15	55	1.60			33	4162		44.65	56		1.85	39	3530	37.87	57	2.20	44	3085	33.10	57	2.50	52	2609		27.99	57	2.80	60		2272	24.38	57	3.20	66	2071	22.22	57	3.50	75	1806	19.38	57	4.00	31	4440	47.63	23	0.90	GR137 GRF137	4P	122	1117	11.98	11	1.05	GRX97 GRXF97	4P			36	3763	40.37	23	1.10			41	3287	35.26	22	1.25	50	2749	29.49	21	1.50	47	2868	30.77	22	1.40	53	2571	27.58			21	1.60	59		2321	24.90		21	1.75	65	2108	22.62	20					1.95	73			1871							20.07	20	2.20	80	1697	18.21	19	2.40	93	1459	15.65	19	2.80	107	1273	13.66	18			3.20	420	333	3.48	4.0	1.20	GR107 GRF107	4P	472	296	3.09	4.3	1.35	GRX87 GRXF87	4P			529	264	2.76	4.2	1.50			589	237	2.48	4.1	1.65	679	206	2.15	4.0	1.80	756	185	1.93	3.9	1.90	913	153	1.60	3.8	2.00	1050	133			1.39	3.6	2.10																																																																																	
14	9943	70.87	63	1.20			15	9372	66.80			64	1.30		8.9	15241		163.51		34	0.80		GR147 GRF147		4P	95		1437			15.42	11	0.90					GRX137 GRXF137	4P	9.9			13678	146.74							54	0.90	12		11113	119.22		62	1.10	13	10131	108.69	63	1.20	15			8834	94.77	65			1.40			18	7771	83.37			66	1.60			21						6606					70.87		68					1.85					22	6226	66.80	68	2.00	24	5677	60.90	68	2.20	28	4949	53.09	69	2.50	31	4354	46.71	69	2.80	37	3700	39.70	69	3.30	42	3260	34.97	69	3.70	14	9634	103.36	29	0.80	GR147 GRF147	4P	109	1247	13.38	11	1.00	GRX107 GRXF107	4P			16	8282	88.85	48	0.90					18	7585	81.38	51	1.00			20	6889	73.91	52	1.10	22	6113	65.58	54	1.25	25	5547	59.51	54			1.40	29	4768			51.15			55					1.60													33	4162					44.65	56	1.85			39	3530	37.87	57	2.20	44	3085	33.10	57	2.50	52	2609	27.99	57	2.80	60	2272	24.38	57	3.20	66	2071	22.22	57	3.50	75	1806	19.38	57	4.00	31	4440	47.63	23	0.90	GR137 GRF137	4P	122	1117	11.98	11	1.05	GRX97 GRXF97	4P			36	3763	40.37	23	1.10					41	3287	35.26	22	1.25			50	2749	29.49	21	1.50	47	2868	30.77	22	1.40	53	2571	27.58	21	1.60	59	2321	24.90			21	1.75	65	2108	22.62	20	1.95	73	1871	20.07	20	2.20	80					1697	18.21			19							2.40	93	1459	15.65	19	2.80	107	1273	13.66	18	3.20	420	333	3.48	4.0	1.20	GR107 GRF107	4P	472	296	3.09	4.3	1.35	GRX87 GRXF87	4P			529	264	2.76	4.2	1.50					589	237	2.48	4.1	1.65			679	206	2.15	4.0	1.80	756	185	1.93	3.9	1.90	913	153	1.60	3.8	2.00	1050	133	1.39	3.6	2.10																																																																																								
15	9372	66.80	64	1.30			8.9	15241	163.51	34	0.80	GR147 GRF147	4P		95	1437		15.42		11	0.90					GRX137 GRXF137		4P			9.9	13678	146.74							54			0.90	12				11113	119.22		62	1.10	13		10131	108.69		63	1.20	15	8834	94.77	65	1.40	18			7771	83.37	66			1.60			21	6606	70.87			68	1.85			22						6226					66.80		68					2.00	24	5677	60.90	68	2.20	28	4949	53.09	69	2.50	31	4354	46.71	69	2.80	37	3700	39.70	69	3.30	42	3260	34.97	69	3.70	14	9634	103.36	29	0.80	GR147 GRF147	4P	109	1247	13.38	11	1.00	GRX107 GRXF107	4P			16	8282	88.85	48	0.90					18	7585	81.38	51	1.00					20	6889	73.91	52	1.10			22	6113	65.58	54	1.25	25	5547	59.51	54	1.40	29	4768	51.15	55			1.60	33	4162			44.65			56					1.85													39	3530		37.87	57		2.20	44	3085	33.10	57	2.50	52	2609	27.99	57	2.80	60	2272	24.38	57	3.20	66	2071	22.22	57	3.50	75	1806	19.38	57	4.00	31	4440	47.63	23	0.90	GR137 GRF137	4P	122	1117	11.98	11	1.05	GRX97 GRXF97	4P			36	3763	40.37	23	1.10					41	3287	35.26	22	1.25					50	2749	29.49	21	1.50			47	2868	30.77	22	1.40	53	2571	27.58	21	1.60	59	2321	24.90	21	1.75	65	2108	22.62	20	1.95	73	1871	20.07	20	2.20	80	1697	18.21	19	2.40	93	1459	15.65					19	2.80			107					1273	13.66	18	3.20	420	333	3.48	4.0	1.20	GR107 GRF107	4P	472	296	3.09	4.3	1.35	GRX87 GRXF87	4P			529	264	2.76	4.2	1.50					589	237	2.48	4.1	1.65					679	206	2.15	4.0	1.80			756	185	1.93	3.9	1.90	913	153	1.60	3.8	2.00	1050	133	1.39	3.6	2.10																																																																																													
8.9	15241	163.51	34	0.80	GR147 GRF147	4P	95	1437	15.42	11	0.90				GRX137 GRXF137	4P																																																																																																																																																																																																																																																																																																																																																																																																																																																																																			
9.9	13678	146.74	54	0.90			12	11113	119.22	62	1.10							13		10131	108.69										63	1.20	15	8834	94.77					65	1.40	18	7771	83.37				66	1.60		21	6606	70.87		68	1.85		22	6226	66.80	68	2.00	24	5677	60.90			68	2.20	28			4949			53.09	69	2.50			31	4354			46.71						69	2.80	37	3700		39.70	69	3.30	42	3260	34.97	69	3.70	14	9634	103.36	29	0.80	GR147 GRF147	4P	109	1247	13.38	11	1.00	GRX107 GRXF107	4P	16	8282	88.85	48	0.90	18	7585	81.38	51	1.00	20	6889	73.91	52	1.10	22			6113	65.58	54	1.25	25					5547	59.51	54	1.40	29					4768	51.15	55	1.60	33					4162	44.65	56	1.85	39			3530	37.87	57	2.20	44	3085	33.10	57	2.50	52	2609	27.99	57	2.80			60	2272	24.38			57			3.20					66							2071	22.22	57	3.50	75	1806	19.38	57	4.00	31	4440	47.63	23	0.90	GR137 GRF137	4P	122	1117	11.98	11	1.05	GRX97 GRXF97	4P	36	3763	40.37	23	1.10	41	3287	35.26	22	1.25	50	2749	29.49	21	1.50	47	2868	30.77	22	1.40			53	2571	27.58	21	1.60					59	2321	24.90	21	1.75					65	2108	22.62	20	1.95			73	1871	20.07	20	2.20	80	1697			18.21	19	2.40	93	1459	15.65	19	2.80	107	1273	13.66	18	3.20	420	333	3.48	4.0	1.20	GR107 GRF107	4P	472	296	3.09	4.3	1.35	GRX87 GRXF87	4P	529	264	2.76	4.2	1.50	589					237	2.48	4.1	1.65	679	206	2.15			4.0	1.80	756	185	1.93	3.9	1.90	913	153			1.60	3.8	2.00	1050	133					1.39	3.6	2.10																																																																																																																																		
12	11113	119.22	62	1.10			13	10131	108.69	63	1.20							15		8834	94.77								65	1.40	18	7771	83.37	66	1.60					21	6606	70.87	68	1.85				22	6226		66.80	68	2.00		24	5677		60.90	68	2.20	28	4949	53.09	69	2.50			31	4354	46.71			69			2.80	37	3700			39.70	69			3.30	42	3260		34.97		69	3.70	14	9634	103.36	29	0.80	GR147 GRF147	4P	109	1247	13.38	11	1.00	GRX107 GRXF107	4P	16	8282			88.85	48	0.90	18	7585			81.38	51	1.00	20	6889	73.91	52	1.10	22	6113	65.58	54	1.25	25	5547	59.51			54	1.40	29	4768	51.15					55	1.60	33	4162	44.65					56	1.85	39	3530	37.87					57	2.20	44	3085	33.10			57	2.50	52	2609	27.99	57	2.80	60	2272	24.38	57	3.20	66	2071			22.22	57	3.50			75			1806					19.38	57	4.00		31	4440		47.63	23	0.90	GR137 GRF137	4P	122	1117	11.98	11	1.05	GRX97 GRXF97	4P	36	3763			40.37	23	1.10	41	3287			35.26	22	1.25	50	2749	29.49	21	1.50	47	2868	30.77	22	1.40	53	2571	27.58	21	1.60	59	2321			24.90	21	1.75	65	2108					22.62	20	1.95	73	1871			20.07	20	2.20	80	1697	18.21	19			2.40	93	1459	15.65	19	2.80	107			1273	13.66	18	3.20	420	333	3.48	4.0	1.20	GR107 GRF107	4P	472	296	3.09	4.3	1.35	GRX87 GRXF87	4P			529	264	2.76	4.2	1.50			589	237	2.48	4.1	1.65	679			206	2.15	4.0	1.80	756	185	1.93	3.9	1.90			913	153	1.60	3.8	2.00	1050	133	1.39	3.6			2.10																																																																																																																																													
13	10131	108.69	63	1.20			15	8834	94.77	65	1.40							18		7771	83.37			66			1.60		21	6606	70.87	68	1.85	22	6226					66.80	68	2.00	24	5677				60.90	68		2.20	28	4949		53.09	69		2.50	31	4354	46.71	69	2.80	37	3700			39.70	69	3.30			42			3260	34.97	69	3.70	14	9634	103.36			29	0.80	GR147 GRF147	4P	109	1247	13.38	11	1.00	GRX107 GRXF107	4P	16	8282			88.85	48	0.90	18	7585			81.38	51			1.00	20	6889	73.91	52			1.10	22	6113	65.58	54	1.25	25	5547	59.51	54	1.40	29	4768	51.15	55	1.60			33	4162	44.65	56	1.85					39	3530	37.87	57	2.20					44	3085	33.10	57	2.50					52	2609	27.99	57	2.80			60	2272	24.38	57	3.20	66	2071	22.22	57	3.50	75	1806	19.38	57			4.00	31	4440			47.63			23			0.90	GR137 GRF137	4P	122	1117	11.98	11	1.05	GRX97 GRXF97	4P	36	3763			40.37	23	1.10	41	3287			35.26	22			1.25	50	2749	29.49	21			1.50	47	2868	30.77	22	1.40	53	2571	27.58	21	1.60	59	2321	24.90	21	1.75	65	2108	22.62	20			1.95	73	1871	20.07	20			2.20	80	1697	18.21	19	2.40	93			1459	15.65	19	2.80	107	1273	13.66			18	3.20	420	333	3.48	4.0	1.20			GR107 GRF107	4P	472	296	3.09	4.3	1.35	GRX87 GRXF87	4P			529	264	2.76	4.2	1.50					589	237	2.48	4.1	1.65			679	206	2.15	4.0	1.80	756			185	1.93	3.9	1.90	913	153	1.60	3.8	2.00	1050	133	1.39	3.6	2.10																																																																																																																																																						
15	8834	94.77	65	1.40			18	7771	83.37	66	1.60							21	6606	70.87	68	1.85		22			6226		66.80	68	2.00	24	5677	60.90	68					2.20	28	4949	53.09	69				2.50	31		4354	46.71	69		2.80	37		3700	39.70	69	3.30	42	3260	34.97	69			3.70	14	9634			103.36	29	0.80	GR147 GRF147	4P	109	1247	13.38	11	1.00	GRX107 GRXF107	4P	16	8282			88.85	48	0.90	18	7585			81.38	51			1.00	20	6889	73.91	52			1.10	22			6113	65.58	54	1.25	25			5547	59.51	54	1.40	29	4768	51.15	55	1.60	33	4162	44.65	56	1.85	39	3530			37.87	57	2.20	44	3085					33.10	57	2.50	52	2609					27.99	57	2.80	60	2272					24.38	57	3.20	66	2071			22.22	57	3.50	75	1806	19.38	57	4.00	31	4440	47.63	23	0.90	GR137 GRF137			4P	122	1117			11.98	11	1.05	GRX97 GRXF97	4P	36	3763			40.37	23	1.10	41	3287			35.26	22			1.25	50	2749	29.49	21			1.50	47			2868	30.77	22	1.40	53			2571	27.58	21	1.60	59	2321	24.90	21	1.75	65	2108	22.62	20	1.95	73	1871	20.07	20	2.20	80	1697	18.21	19	2.40	93	1459	15.65			19	2.80	107	1273	13.66	18	3.20			420	333	3.48	4.0	1.20	GR107 GRF107	4P			472	296	3.09	4.3	1.35	GRX87 GRXF87	4P					529	264	2.76	4.2	1.50					589	237	2.48	4.1	1.65					679	206	2.15	4.0	1.80			756	185	1.93	3.9	1.90	913	153	1.60	3.8	2.00	1050	133	1.39	3.6	2.10																																																																																																																																																													
18	7771	83.37	66	1.60			21	6606	70.87	68	1.85			22			6226	66.80	68	2.00	24	5677		60.90			68		2.20	28	4949	53.09	69	2.50	31					4354	46.71	69	2.80	37				3700	39.70		69	3.30	42		3260	34.97		69	3.70	14	9634	103.36	29	0.80	GR147 GRF147			4P	109	1247	13.38	11	1.00	GRX107 GRXF107	4P			16	8282	88.85	48	0.90			18	7585			81.38	51	1.00	20	6889			73.91	52			1.10	22	6113	65.58	54			1.25	25			5547	59.51	54	1.40	29			4768	51.15	55	1.60	33	4162	44.65	56	1.85	39	3530	37.87	57	2.20	44	3085			33.10	57	2.50	52	2609					27.99	57	2.80	60	2272					24.38	57	3.20	66	2071					22.22	57	3.50	75	1806			19.38	57	4.00	31	4440	47.63	23	0.90	GR137 GRF137	4P	122	1117	11.98					11	1.05	GRX97 GRXF97	4P	36	3763	40.37			23	1.10			41	3287	35.26	22	1.25			50	2749			29.49	21	1.50	47	2868			30.77	22			1.40	53	2571	27.58	21			1.60	59	2321	24.90	21	1.75	65	2108	22.62	20	1.95	73	1871	20.07	20	2.20	80	1697	18.21	19	2.40	93	1459	15.65	19	2.80	107			1273	13.66	18	3.20	420	333	3.48			4.0	1.20	GR107 GRF107	4P	472					296	3.09	4.3	1.35	GRX87 GRXF87							4P	529	264	2.76	4.2					1.50	589	237	2.48	4.1					1.65	679	206	2.15	4.0			1.80	756	185	1.93	3.9	1.90	913	153	1.60	3.8	2.00	1050	133	1.39	3.6	2.10																																																																																																																																																												
21	6606	70.87	68	1.85			22	6226	66.80	68	2.00			24			5677	60.90	68	2.20	28	4949		53.09			69		2.50	31	4354	46.71	69	2.80	37					3700	39.70	69	3.30	42				3260	34.97		69	3.70	14	9634	103.36	29	0.80	GR147 GRF147	4P	109	1247	13.38	11	1.00		GRX107 GRXF107	4P		16	8282	88.85	48	0.90					18	7585	81.38	51	1.00			20	6889			73.91	52	1.10	22	6113			65.58	54			1.25	25	5547	59.51	54			1.40	29			4768	51.15	55	1.60	33			4162	44.65	56	1.85	39	3530	37.87	57	2.20	44	3085	33.10	57	2.50	52	2609			27.99	57	2.80	60	2272					24.38	57	3.20	66	2071					22.22	57	3.50	75	1806					19.38	57	4.00	31	4440	47.63	23	0.90	GR137 GRF137	4P	122	1117	11.98	11	1.05			GRX97 GRXF97	4P	36		3763	40.37		23	1.10			41	3287	35.26			22	1.25			50	2749	29.49	21	1.50			47	2868			30.77	22	1.40	53	2571			27.58	21	1.60	59	2321	24.90	21	1.75	65			2108	22.62	20	1.95	73	1871	20.07	20	2.20	80	1697	18.21	19	2.40	93	1459	15.65	19	2.80	107	1273	13.66	18	3.20	420	333	3.48			4.0	1.20	GR107 GRF107	4P	472	296	3.09			4.3	1.35			GRX87 GRXF87					4P	529	264	2.76				4.2	1.50				589	237	2.48	4.1					1.65	679	206	2.15	4.0					1.80	756	185	1.93	3.9			1.90	913	153	1.60	3.8	2.00	1050	133	1.39	3.6	2.10																																																																																																																																																																	
22	6226	66.80	68	2.00			24	5677	60.90	68	2.20			28			4949	53.09	69	2.50	31	4354		46.71			69		2.80	37	3700	39.70	69	3.30	42					3260	34.97	69	3.70	14			9634	103.36	29	0.80	GR147 GRF147	4P	109	1247	13.38	11	1.00			GRX107 GRXF107	4P	16	8282	88.85					48	0.90	18	7585	81.38					51	1.00	20	6889	73.91			52	1.10			22	6113	65.58	54	1.25			25	5547			59.51	54	1.40	29	4768			51.15	55			1.60	33	4162	44.65	56			1.85	39	3530	37.87	57	2.20	44	3085	33.10	57	2.50	52	2609	27.99	57	2.80			60	2272	24.38	57	3.20					66	2071	22.22	57	3.50					75	1806	19.38	57	4.00	31	4440			47.63	23	0.90	GR137 GRF137	4P	122	1117	11.98			11	1.05	GRX97 GRXF97	4P	36					3763		40.37	23		1.10	41			3287	35.26	22			1.25	50			2749	29.49	21	1.50	47			2868	30.77	22	1.40	53	2571	27.58	21	1.60			59	2321	24.90	21	1.75	65	2108	22.62	20			1.95	73	1871	20.07	20	2.20	80	1697	18.21	19	2.40	93	1459	15.65	19	2.80	107	1273	13.66	18	3.20	420	333	3.48	4.0	1.20	GR107 GRF107			4P	472			296	3.09	4.3			1.35	GRX87 GRXF87						4P	529		264	2.76	4.2				1.50	589				237	2.48	4.1	1.65					679	206	2.15	4.0	1.80					756	185	1.93	3.9	1.90			913	153	1.60	3.8	2.00	1050	133	1.39	3.6	2.10																																																																																																																																																																		
24	5677	60.90	68	2.20			28	4949	53.09	69	2.50			31			4354	46.71	69	2.80	37	3700		39.70			69		3.30	42	3260	34.97	69	3.70	14			9634	103.36	29	0.80	GR147 GRF147	4P	109	1247	13.38	11	1.00	GRX107 GRXF107	4P			16	8282	88.85	48	0.90					18	7585	81.38					51	1.00	20	6889	73.91					52	1.10	22	6113	65.58			54	1.25			25	5547	59.51	54	1.40			29	4768			51.15	55	1.60	33	4162			44.65	56			1.85	39	3530	37.87	57			2.20	44	3085	33.10	57	2.50	52	2609	27.99	57	2.80	60	2272	24.38	57	3.20			66	2071	22.22	57	3.50					75	1806	19.38	57	4.00	31	4440			47.63	23	0.90	GR137 GRF137	4P	122	1117	11.98	11	1.05	GRX97 GRXF97	4P			36	3763	40.37			23	1.10			41					3287		35.26	22		1.25	50			2749	29.49	21			1.50	47	2868	30.77	22	1.40	53	2571	27.58			21	1.60	59	2321	24.90	21	1.75	65	2108			22.62	20	1.95	73	1871	20.07	20	2.20	80			1697	18.21	19	2.40	93	1459	15.65	19	2.80	107	1273	13.66	18	3.20	420	333	3.48	4.0	1.20	GR107 GRF107	4P	472	296	3.09	4.3	1.35					GRX87 GRXF87			4P	529	264	2.76	4.2	1.50								589		237	2.48	4.1				1.65	679				206	2.15	4.0	1.80					756	185	1.93	3.9	1.90					913	153	1.60	3.8	2.00			1050	133	1.39	3.6	2.10																																																																																																																																																																							
28	4949	53.09	69	2.50			31	4354	46.71	69	2.80			37			3700	39.70	69	3.30	42	3260		34.97		69	3.70	14	9634	103.36	29	0.80	GR147 GRF147	4P	109	1247	13.38	11	1.00	GRX107 GRXF107	4P			16	8282	88.85	48	0.90					18	7585	81.38	51	1.00					20	6889	73.91					52	1.10	22	6113	65.58					54	1.25	25	5547	59.51			54	1.40			29	4768	51.15	55	1.60			33	4162			44.65	56	1.85	39	3530			37.87	57			2.20	44	3085	33.10	57			2.50	52	2609	27.99	57	2.80	60	2272	24.38	57	3.20	66	2071	22.22	57	3.50			75	1806	19.38	57	4.00	31	4440			47.63	23	0.90	GR137 GRF137	4P	122	1117	11.98	11	1.05	GRX97 GRXF97	4P			36	3763	40.37	23	1.10					41	3287	35.26			22	1.25			50					2749	29.49	21	1.50	47	2868	30.77			22	1.40	53			2571	27.58	21	1.60	59	2321	24.90	21	1.75			65	2108	22.62	20	1.95	73	1871	20.07	20			2.20	80	1697	18.21	19	2.40	93	1459	15.65			19	2.80	107	1273	13.66	18	3.20	420	333	3.48	4.0	1.20	GR107 GRF107	4P	472	296	3.09	4.3	1.35			GRX87 GRXF87	4P	529	264	2.76		4.2	1.50						589	237	2.48	4.1	1.65								679		206	2.15	4.0				1.80	756				185	1.93	3.9	1.90					913	153	1.60	3.8	2.00					1050	133	1.39	3.6	2.10																																																																																																																																																																														
31	4354	46.71	69	2.80			37	3700	39.70	69	3.30			42	3260	34.97	69	3.70	14	9634	103.36	29	0.80	GR147 GRF147	4P	109	1247	13.38	11	1.00	GRX107 GRXF107	4P			16	8282	88.85	48	0.90					18	7585	81.38	51	1.00					20	6889	73.91	52	1.10					22	6113	65.58					54	1.25	25	5547	59.51					54	1.40	29	4768	51.15			55	1.60			33	4162	44.65	56	1.85			39	3530			37.87	57	2.20	44	3085			33.10	57			2.50	52	2609	27.99	57			2.80	60	2272	24.38	57	3.20	66	2071	22.22	57	3.50	75	1806	19.38	57	4.00			31	4440	47.63	23	0.90	GR137 GRF137	4P	122	1117	11.98	11	1.05			GRX97 GRXF97	4P	36	3763	40.37					23	1.10	41	3287	35.26					22	1.25	50			2749	29.49			21	1.50	47			2868	30.77	22	1.40	53	2571	27.58			21	1.60	59			2321	24.90	21	1.75	65	2108	22.62	20	1.95			73	1871	20.07	20	2.20	80	1697	18.21	19			2.40	93	1459	15.65	19	2.80	107	1273	13.66			18	3.20	420	333	3.48	4.0	1.20	GR107 GRF107	4P	472	296	3.09			4.3	1.35	GRX87 GRXF87	4P	529					264	2.76	4.2		1.50	589						237	2.48	4.1	1.65	679								206		2.15	4.0	1.80				756	185				1.93	3.9	1.90	913					153	1.60	3.8	2.00	1050					133	1.39	3.6	2.10																																																																																																																																																																															
37	3700	39.70	69	3.30			42	3260	34.97	69	3.70	14	9634	103.36	29	0.80	GR147 GRF147	4P	109	1247	13.38	11	1.00			GRX107 GRXF107	4P	16	8282	88.85					48	0.90	18	7585	81.38					51	1.00	20	6889	73.91					52	1.10	22	6113	65.58					54	1.25	25					5547	59.51	54	1.40	29					4768	51.15	55	1.60	33			4162	44.65			56	1.85	39	3530	37.87			57	2.20			44	3085	33.10	57	2.50			52	2609			27.99	57	2.80	60	2272	24.38	57	3.20	66	2071	22.22	57	3.50	75	1806	19.38	57	4.00	31	4440	47.63	23	0.90	GR137 GRF137	4P	122	1117	11.98	11	1.05			GRX97 GRXF97	4P	36	3763	40.37					23	1.10	41					3287	35.26	22	1.25	50					2749	29.49	21	1.50	47	2868	30.77			22	1.40	53			2571	27.58	21	1.60	59	2321	24.90			21	1.75	65			2108	22.62	20	1.95	73	1871	20.07	20	2.20			80	1697	18.21	19	2.40	93	1459	15.65	19			2.80	107	1273	13.66	18	3.20	420	333	3.48	4.0	1.20	GR107 GRF107	4P	472	296	3.09	4.3	1.35			GRX87 GRXF87	4P	529			264	2.76			4.2					1.50	589	237		2.48	4.1						1.65	679	206	2.15	4.0								1.80		756	185	1.93				3.9	1.90				913	153	1.60	3.8					2.00	1050	133	1.39	3.6			2.10																																																																																																																																																																																				
42	3260	34.97	69	3.70	14	9634	103.36	29	0.80	GR147 GRF147	4P	109	1247	13.38	11	1.00			GRX107 GRXF107	4P	16	8282	88.85					48	0.90	18					7585	81.38	51	1.00	20					6889	73.91	52	1.10	22					6113	65.58	54	1.25	25					5547	59.51	54					1.40	29	4768	51.15	55					1.60	33	4162	44.65	56			1.85	39			3530	37.87	57	2.20	44			3085	33.10			57	2.50	52	2609	27.99	57	2.80	60	2272			24.38	57	3.20	66	2071	22.22	57	3.50	75	1806	19.38	57	4.00	31	4440	47.63	23	0.90	GR137 GRF137	4P	122	1117	11.98			11	1.05	GRX97 GRXF97	4P	36					3763	40.37	23					1.10	41	3287					35.26	22	1.25	50	2749			29.49	21	1.50	47	2868	30.77	22	1.40	53			2571	27.58	21			1.60	59	2321	24.90	21	1.75	65			2108	22.62	20			1.95	73	1871	20.07	20	2.20	80	1697	18.21			19	2.40	93	1459	15.65	19	2.80	107	1273	13.66	18	3.20	420	333	3.48	4.0	1.20	GR107 GRF107	4P	472	296	3.09			4.3	1.35	GRX87 GRXF87	4P	529					264			2.76	4.2			1.50					589	237	2.48		4.1	1.65						679	206	2.15	4.0	1.80								756		185	1.93	3.9				1.90	913				153	1.60	3.8	2.00			1050	133	1.39	3.6	2.10																																																																																																																																																																																									
14	9634	103.36	29	0.80	GR147 GRF147	4P	109	1247	13.38			11	1.00	GRX107 GRXF107	4P																																																																																																																																																																																																																																																																																																																																																																																																																																																																																				
16	8282	88.85	48	0.90			18	7585	81.38			51	1.00			20					6889	73.91	52					1.10	22	6113					65.58	54	1.25	25	5547					59.51	54	1.40	29	4768					51.15	55	1.60	33	4162					44.65	56	1.85					39	3530	37.87	57	2.20					44	3085	33.10	57	2.50	52	2609	27.99	57			2.80	60	2272	24.38	57	3.20	66	2071	22.22	57	3.50	75	1806	19.38	57	4.00	31	4440	47.63	23	0.90	GR137 GRF137	4P	122	1117	11.98	11	1.05	GRX97 GRXF97	4P	36	3763	40.37	23	1.10	41	3287	35.26	22	1.25			50	2749	29.49			21	1.50			47					2868	30.77	22	1.40	53			2571	27.58	21			1.60	59	2321	24.90	21	1.75	65			2108	22.62	20	1.95	73	1871	20.07	20	2.20			80	1697	18.21			19	2.40	93	1459	15.65	19	2.80			107	1273	13.66	18	3.20	420	333	3.48	4.0	1.20	GR107 GRF107	4P	472	296	3.09	4.3	1.35	GRX87 GRXF87	4P	529	264	2.76	4.2	1.50	589	237	2.48	4.1	1.65	679	206	2.15	4.0			1.80	756	185			1.93	3.9			1.90					913			153	1.60			3.8					2.00	1050	133		1.39	3.6						2.10																																																																																																																																																																																																																												
18	7585	81.38	51	1.00			20	6889	73.91			52	1.10			22					6113	65.58	54					1.25	25	5547					59.51	54	1.40	29	4768					51.15	55	1.60	33	4162					44.65	56	1.85	39	3530					37.87	57	2.20					44	3085	33.10	57	2.50	52	2609			27.99	57	2.80	60	2272	24.38	57	3.20	66	2071	22.22	57	3.50	75	1806	19.38	57	4.00	31	4440	47.63	23	0.90	GR137 GRF137	4P	122	1117	11.98	11	1.05	GRX97 GRXF97	4P			36	3763	40.37	23	1.10			41	3287	35.26	22	1.25	50	2749	29.49	21	1.50			47	2868	30.77			22	1.40			53	2571	27.58			21	1.60	59	2321	24.90			21	1.75	65			2108	22.62	20	1.95	73	1871	20.07			20	2.20	80	1697	18.21	19	2.40	93	1459			15.65	19	2.80			107	1273	13.66	18	3.20	420	333	3.48	4.0	1.20	GR107 GRF107	4P	472	296	3.09	4.3	1.35	GRX87 GRXF87	4P			529	264	2.76	4.2	1.50			589	237	2.48	4.1	1.65	679	206	2.15	4.0	1.80	756	185	1.93	3.9			1.90	913	153			1.60	3.8			2.00					1050			133	1.39			3.6					2.10																																																																																																																																																																																																																																							
20	6889	73.91	52	1.10			22	6113	65.58			54	1.25			25					5547	59.51	54					1.40	29	4768					51.15	55	1.60	33	4162					44.65	56	1.85	39	3530					37.87	57	2.20	44	3085					33.10	57	2.50		52	2609		27.99	57	2.80	60	2272	24.38	57	3.20	66	2071	22.22	57	3.50	75	1806	19.38	57	4.00	31	4440	47.63	23	0.90	GR137 GRF137	4P	122	1117	11.98	11	1.05	GRX97 GRXF97	4P			36	3763	40.37	23	1.10					41	3287	35.26	22	1.25			50	2749	29.49	21	1.50	47	2868	30.77	22	1.40			53	2571	27.58	21	1.60	59	2321			24.90	21	1.75			65	2108	22.62	20	1.95			73	1871	20.07			20	2.20	80	1697	18.21	19	2.40			93	1459	15.65	19	2.80	107	1273	13.66	18			3.20	420	333	3.48	4.0	1.20	GR107 GRF107	4P	472	296	3.09	4.3	1.35	GRX87 GRXF87	4P			529	264	2.76	4.2	1.50					589	237	2.48	4.1	1.65			679	206	2.15	4.0	1.80	756	185	1.93	3.9	1.90	913	153	1.60	3.8			2.00	1050	133			1.39	3.6			2.10																																																																																																																																																																																																																																																								
22	6113	65.58	54	1.25			25	5547	59.51			54	1.40			29					4768	51.15	55					1.60	33	4162					44.65	56	1.85	39	3530					37.87	57	2.20	44	3085					33.10	57	2.50	52	2609			27.99	57	2.80	60	2272	24.38	57	3.20	66	2071	22.22	57	3.50	75	1806	19.38	57	4.00	31	4440	47.63	23	0.90	GR137 GRF137	4P	122	1117	11.98	11	1.05	GRX97 GRXF97	4P			36	3763	40.37	23	1.10					41	3287	35.26	22	1.25					50	2749	29.49	21	1.50			47	2868	30.77	22	1.40	53	2571	27.58	21	1.60	59	2321	24.90	21	1.75	65	2108	22.62	20			1.95	73	1871			20.07	20	2.20	80	1697			18.21	19	2.40			93	1459	15.65	19	2.80	107	1273			13.66	18	3.20	420	333	3.48	4.0	1.20	GR107 GRF107	4P	472	296	3.09	4.3	1.35	GRX87 GRXF87	4P			529	264	2.76	4.2	1.50					589	237	2.48	4.1	1.65					679	206	2.15	4.0	1.80			756	185	1.93	3.9	1.90	913	153	1.60	3.8	2.00	1050	133	1.39	3.6			2.10																																																																																																																																																																																																																																																																	
25	5547	59.51	54	1.40			29	4768	51.15			55	1.60			33					4162	44.65	56					1.85	39	3530					37.87	57	2.20	44	3085					33.10	57	2.50	52	2609	27.99	57			2.80	60	2272	24.38	57	3.20	66	2071	22.22	57	3.50	75	1806	19.38	57	4.00	31	4440	47.63	23	0.90	GR137 GRF137	4P	122	1117	11.98	11	1.05	GRX97 GRXF97	4P			36	3763	40.37	23	1.10					41	3287	35.26	22	1.25					50	2749	29.49	21	1.50					47	2868	30.77	22	1.40			53	2571	27.58	21	1.60	59	2321	24.90	21	1.75	65	2108	22.62	20	1.95	73	1871	20.07	20			2.20	80	1697			18.21	19	2.40	93	1459			15.65	19	2.80			107	1273	13.66	18	3.20	420	333	3.48	4.0	1.20	GR107 GRF107	4P	472	296	3.09	4.3	1.35			GRX87 GRXF87	4P	529	264	2.76					4.2	1.50	589	237	2.48					4.1	1.65	679	206	2.15					4.0	1.80	756	185	1.93			3.9	1.90	913	153	1.60	3.8	2.00	1050	133	1.39	3.6	2.10																																																																																																																																																																																																																																																																						
29	4768	51.15	55	1.60			33	4162	44.65			56	1.85			39					3530	37.87	57					2.20	44	3085					33.10	57	2.50	52	2609	27.99	57			2.80	60	2272	24.38	57	3.20	66	2071	22.22	57	3.50	75	1806	19.38	57	4.00	31	4440	47.63	23	0.90	GR137 GRF137	4P	122	1117	11.98	11	1.05	GRX97 GRXF97	4P			36	3763	40.37	23	1.10					41	3287	35.26	22	1.25					50	2749	29.49	21	1.50					47	2868	30.77	22	1.40			53	2571	27.58	21	1.60	59	2321			24.90	21	1.75	65	2108	22.62	20	1.95	73	1871	20.07	20	2.20	80	1697	18.21	19	2.40	93			1459	15.65	19			2.80	107	1273	13.66	18			3.20	420	333	3.48	4.0	1.20	GR107 GRF107	4P	472	296	3.09	4.3	1.35	GRX87 GRXF87	4P			529	264	2.76	4.2	1.50					589	237	2.48					4.1	1.65	679	206	2.15					4.0	1.80	756	185	1.93					3.9	1.90	913	153	1.60			3.8	2.00	1050	133	1.39	3.6	2.10																																																																																																																																																																																																																																																																											
33	4162	44.65	56	1.85			39	3530	37.87			57	2.20			44					3085	33.10	57					2.50	52	2609	27.99	57			2.80	60	2272	24.38	57	3.20	66	2071	22.22	57	3.50	75	1806	19.38	57	4.00	31	4440	47.63	23	0.90	GR137 GRF137	4P	122	1117	11.98	11	1.05	GRX97 GRXF97	4P			36	3763	40.37	23	1.10					41	3287	35.26	22	1.25					50	2749	29.49	21	1.50					47	2868	30.77	22	1.40			53	2571	27.58	21	1.60	59	2321			24.90	21	1.75	65	2108	22.62	20			1.95	73	1871	20.07	20	2.20	80	1697	18.21	19	2.40	93	1459	15.65	19	2.80	107	1273	13.66			18	3.20	420			333	3.48	4.0	1.20	GR107 GRF107	4P	472	296	3.09	4.3	1.35	GRX87 GRXF87	4P			529	264	2.76	4.2	1.50					589	237	2.48	4.1	1.65					679	206	2.15					4.0	1.80	756	185	1.93					3.9	1.90	913	153	1.60					3.8	2.00	1050	133	1.39			3.6	2.10																																																																																																																																																																																																																																																																																
39	3530	37.87	57	2.20			44	3085	33.10			57	2.50			52					2609	27.99	57			2.80	60	2272	24.38	57	3.20	66	2071	22.22	57	3.50	75	1806	19.38	57	4.00	31	4440	47.63	23	0.90	GR137 GRF137	4P	122	1117	11.98	11	1.05	GRX97 GRXF97	4P			36	3763	40.37	23	1.10					41	3287	35.26	22	1.25					50	2749	29.49	21	1.50					47	2868	30.77	22	1.40			53	2571	27.58	21	1.60	59	2321			24.90	21	1.75	65	2108	22.62	20			1.95	73	1871	20.07	20	2.20	80			1697	18.21	19	2.40	93	1459	15.65	19	2.80	107	1273	13.66	18	3.20	420	333	3.48	4.0	1.20			GR107 GRF107	4P	472	296	3.09	4.3	1.35	GRX87 GRXF87	4P			529	264	2.76	4.2	1.50					589	237	2.48	4.1	1.65					679	206	2.15	4.0	1.80					756	185	1.93					3.9	1.90	913	153	1.60					3.8	2.00	1050	133	1.39					3.6	2.10																																																																																																																																																																																																																																																																																							
44	3085	33.10	57	2.50			52	2609	27.99			57	2.80			60			2272	24.38	57	3.20	66	2071	22.22	57	3.50	75	1806	19.38	57	4.00	31	4440	47.63	23	0.90	GR137 GRF137	4P	122	1117	11.98	11	1.05	GRX97 GRXF97	4P			36	3763	40.37	23	1.10					41	3287	35.26	22	1.25					50	2749	29.49	21	1.50					47	2868	30.77	22	1.40			53	2571	27.58	21	1.60	59	2321			24.90	21	1.75	65	2108	22.62	20			1.95	73	1871	20.07	20	2.20	80			1697	18.21	19	2.40	93	1459	15.65			19	2.80	107	1273	13.66	18	3.20	420	333	3.48	4.0	1.20	GR107 GRF107	4P	472	296	3.09	4.3	1.35	GRX87 GRXF87	4P			529	264	2.76	4.2	1.50					589	237	2.48	4.1	1.65					679	206	2.15	4.0	1.80					756	185	1.93	3.9	1.90					913	153	1.60					3.8	2.00	1050	133	1.39					3.6	2.10																																																																																																																																																																																																																																																																																																
52	2609	27.99	57	2.80			60	2272	24.38			57	3.20	66	2071	22.22	57	3.50	75	1806	19.38	57	4.00	31	4440	47.63	23	0.90	GR137 GRF137	4P	122	1117	11.98	11	1.05	GRX97 GRXF97	4P			36	3763	40.37	23	1.10					41	3287	35.26	22	1.25					50	2749	29.49	21	1.50					47	2868	30.77	22	1.40			53	2571	27.58	21	1.60	59	2321			24.90	21	1.75	65	2108	22.62	20			1.95	73	1871	20.07	20	2.20	80			1697	18.21	19	2.40	93	1459	15.65			19	2.80	107	1273	13.66	18	3.20			420	333	3.48	4.0	1.20	GR107 GRF107	4P	472	296	3.09	4.3	1.35			GRX87 GRXF87	4P	529	264	2.76					4.2	1.50	589	237	2.48					4.1	1.65	679	206	2.15					4.0	1.80	756	185	1.93					3.9	1.90	913	153	1.60					3.8	2.00	1050					133	1.39	3.6	2.10																																																																																																																																																																																																																																																																																																							
60	2272	24.38	57	3.20			66	2071	22.22	57	3.50	75	1806	19.38	57	4.00	31	4440	47.63	23	0.90	GR137 GRF137	4P	122	1117	11.98	11	1.05			GRX97 GRXF97	4P	36	3763	40.37					23	1.10	41	3287	35.26					22	1.25	50	2749	29.49					21	1.50	47	2868	30.77			22	1.40	53	2571	27.58	21	1.60			59	2321	24.90	21	1.75	65	2108			22.62	20	1.95	73	1871	20.07	20			2.20	80	1697	18.21	19	2.40	93			1459	15.65	19	2.80	107	1273	13.66			18	3.20	420	333	3.48	4.0	1.20	GR107 GRF107	4P	472	296	3.09	4.3	1.35			GRX87 GRXF87	4P	529	264	2.76					4.2	1.50	589					237	2.48	4.1	1.65	679					206	2.15	4.0	1.80	756					185	1.93	3.9	1.90	913					153	1.60	3.8	2.00	1050					133	1.39	3.6					2.10																																																																																																																																																																																																																																																																																																										
66	2071	22.22	57	3.50	75	1806	19.38	57	4.00	31	4440	47.63	23	0.90	GR137 GRF137	4P	122	1117	11.98	11	1.05			GRX97 GRXF97	4P	36	3763	40.37					23	1.10	41					3287	35.26	22	1.25	50					2749	29.49	21	1.50	47			2868	30.77	22	1.40	53	2571	27.58			21	1.60	59	2321	24.90	21	1.75			65	2108	22.62	20	1.95	73	1871			20.07	20	2.20	80	1697	18.21	19			2.40	93	1459	15.65	19	2.80	107			1273	13.66	18	3.20	420	333	3.48	4.0	1.20	GR107 GRF107	4P	472	296	3.09	4.3	1.35			GRX87 GRXF87	4P	529	264	2.76					4.2	1.50	589					237	2.48	4.1					1.65	679	206	2.15	4.0					1.80	756	185	1.93	3.9					1.90	913	153	1.60	3.8					2.00	1050	133	1.39	3.6					2.10																																																																																																																																																																																																																																																																																																																	
75	1806	19.38	57	4.00	31	4440	47.63	23	0.90	GR137 GRF137	4P	122	1117	11.98			11	1.05	GRX97 GRXF97	4P	36					3763	40.37	23					1.10	41	3287					35.26	22	1.25	50	2749			29.49	21	1.50	47	2868	30.77	22			1.40	53	2571	27.58	21	1.60	59			2321	24.90	21	1.75	65	2108	22.62			20	1.95	73	1871	20.07	20	2.20			80	1697	18.21	19	2.40	93	1459			15.65	19	2.80	107	1273	13.66	18	3.20	420	333	3.48	4.0	1.20	GR107 GRF107	4P	472	296	3.09			4.3	1.35	GRX87 GRXF87	4P	529					264	2.76	4.2					1.50	589	237					2.48	4.1	1.65					679	206	2.15	4.0	1.80					756	185	1.93	3.9	1.90					913	153	1.60	3.8	2.00					1050	133	1.39	3.6	2.10																																																																																																																																																																																																																																																																																																																						
31	4440	47.63	23	0.90	GR137 GRF137	4P	122	1117	11.98			11	1.05	GRX97 GRXF97			4P																																																																																																																																																																																																																																																																																																																																																																																																																																																																																		
36	3763	40.37	23	1.10			41	3287	35.26			22	1.25					50			2749					29.49	21	1.50	47	2868			30.77	22	1.40			53	2571	27.58	21	1.60	59	2321			24.90	21	1.75	65	2108	22.62	20			1.95	73	1871	20.07	20	2.20	80			1697	18.21	19	2.40	93	1459	15.65			19	2.80	107	1273	13.66	18	3.20	420	333	3.48	4.0	1.20	GR107 GRF107	4P	472	296	3.09	4.3	1.35	GRX87 GRXF87	4P	529	264	2.76	4.2	1.50	589	237	2.48	4.1	1.65			679	206	2.15			4.0	1.80			756					185	1.93	3.9					1.90	913	153					1.60	3.8	2.00					1050	133	1.39	3.6	2.10																																																																																																																																																																																																																																																																																																																																																	
41	3287	35.26	22	1.25			50	2749	29.49			21	1.50					47			2868	30.77	22			1.40	53	2571	27.58	21			1.60	59	2321			24.90	21	1.75	65	2108	22.62	20			1.95	73	1871	20.07	20	2.20	80			1697	18.21	19	2.40	93	1459	15.65			19	2.80	107	1273	13.66	18	3.20	420	333	3.48	4.0	1.20	GR107 GRF107	4P	472	296	3.09	4.3	1.35	GRX87 GRXF87	4P			529	264	2.76	4.2	1.50			589	237	2.48	4.1	1.65	679	206	2.15	4.0	1.80			756	185	1.93			3.9	1.90			913					153	1.60	3.8					2.00	1050	133					1.39	3.6	2.10																																																																																																																																																																																																																																																																																																																																																										
50	2749	29.49	21	1.50			47	2868	30.77			22	1.40		53	2571		27.58			21	1.60	59			2321	24.90	21	1.75	65			2108	22.62	20			1.95	73	1871	20.07	20	2.20	80			1697	18.21	19	2.40	93	1459	15.65			19	2.80	107	1273	13.66	18	3.20	420	333	3.48	4.0	1.20	GR107 GRF107	4P	472	296	3.09	4.3	1.35	GRX87 GRXF87	4P			529	264	2.76	4.2	1.50					589	237	2.48	4.1	1.65			679	206	2.15	4.0	1.80	756	185	1.93	3.9	1.90			913	153	1.60			3.8	2.00			1050					133	1.39	3.6					2.10																																																																																																																																																																																																																																																																																																																																																																			
47	2868	30.77	22	1.40			53	2571	27.58	21	1.60	59	2321		24.90	21		1.75			65	2108	22.62			20	1.95	73	1871	20.07			20	2.20	80			1697	18.21	19	2.40	93	1459	15.65			19	2.80	107	1273	13.66	18	3.20	420	333	3.48	4.0	1.20	GR107 GRF107	4P	472	296	3.09	4.3	1.35	GRX87 GRXF87	4P			529	264	2.76	4.2	1.50					589	237	2.48	4.1	1.65					679	206	2.15	4.0	1.80			756	185	1.93	3.9	1.90	913	153	1.60	3.8	2.00			1050	133	1.39			3.6	2.10																																																																																																																																																																																																																																																																																																																																																																																		
53	2571	27.58	21	1.60	59	2321	24.90	21	1.75	65	2108	22.62	20		1.95	73		1871			20.07	20	2.20			80	1697	18.21	19	2.40			93	1459	15.65			19	2.80	107	1273	13.66	18	3.20	420	333	3.48	4.0	1.20	GR107 GRF107	4P	472	296	3.09	4.3	1.35	GRX87 GRXF87	4P			529	264	2.76	4.2	1.50					589	237	2.48	4.1	1.65					679	206	2.15	4.0	1.80					756	185	1.93	3.9	1.90			913	153	1.60	3.8	2.00	1050	133	1.39	3.6	2.10																																																																																																																																																																																																																																																																																																																																																																																											
59	2321	24.90	21	1.75	65	2108	22.62	20	1.95	73	1871	20.07	20		2.20	80		1697			18.21	19	2.40			93	1459	15.65	19	2.80			107	1273	13.66	18	3.20	420	333	3.48	4.0	1.20	GR107 GRF107	4P	472	296	3.09	4.3	1.35			GRX87 GRXF87	4P	529	264	2.76					4.2	1.50	589	237	2.48					4.1	1.65	679	206	2.15					4.0	1.80	756	185	1.93					3.9	1.90	913	153	1.60			3.8	2.00	1050	133	1.39	3.6	2.10																																																																																																																																																																																																																																																																																																																																																																																														
65	2108	22.62	20	1.95	73	1871	20.07	20	2.20	80	1697	18.21	19		2.40	93		1459			15.65	19	2.80			107	1273	13.66	18	3.20	420	333	3.48	4.0	1.20	GR107 GRF107	4P	472	296	3.09	4.3	1.35			GRX87 GRXF87	4P	529	264	2.76					4.2	1.50	589					237	2.48	4.1	1.65	679					206	2.15	4.0	1.80	756					185	1.93	3.9	1.90	913					153	1.60	3.8	2.00	1050			133	1.39	3.6	2.10																																																																																																																																																																																																																																																																																																																																																																																																	
73	1871	20.07	20	2.20	80	1697	18.21	19	2.40	93	1459	15.65	19		2.80	107		1273			13.66	18	3.20	420	333	3.48	4.0	1.20	GR107 GRF107	4P	472	296	3.09	4.3	1.35			GRX87 GRXF87	4P	529	264	2.76					4.2	1.50	589					237	2.48	4.1					1.65	679	206	2.15	4.0					1.80	756	185	1.93	3.9					1.90	913	153	1.60	3.8					2.00	1050	133	1.39	3.6			2.10																																																																																																																																																																																																																																																																																																																																																																																																				
80	1697	18.21	19	2.40	93	1459	15.65	19	2.80	107	1273	13.66	18		3.20	420		333	3.48	4.0	1.20	GR107 GRF107	4P	472	296	3.09	4.3	1.35			GRX87 GRXF87	4P	529	264	2.76					4.2	1.50	589					237	2.48	4.1					1.65	679	206					2.15	4.0	1.80	756	185					1.93	3.9	1.90	913	153					1.60	3.8	2.00	1050	133					1.39	3.6	2.10																																																																																																																																																																																																																																																																																																																																																																																																									
93	1459	15.65	19	2.80	107	1273	13.66	18	3.20	420	333	3.48	4.0	1.20	GR107 GRF107	4P	472	296	3.09	4.3	1.35			GRX87 GRXF87	4P	529	264	2.76					4.2	1.50	589					237	2.48	4.1					1.65	679	206					2.15	4.0	1.80					756	185	1.93	3.9	1.90					913	153	1.60	3.8	2.00					1050	133	1.39	3.6	2.10																																																																																																																																																																																																																																																																																																																																																																																																																
107	1273	13.66	18	3.20	420	333	3.48	4.0	1.20	GR107 GRF107	4P	472	296	3.09			4.3	1.35	GRX87 GRXF87	4P	529					264	2.76	4.2					1.50	589	237					2.48	4.1	1.65					679	206	2.15					4.0	1.80	756					185	1.93	3.9	1.90	913					153	1.60	3.8	2.00	1050					133	1.39	3.6	2.10																																																																																																																																																																																																																																																																																																																																																																																																																	
420	333	3.48	4.0	1.20	GR107 GRF107	4P	472	296	3.09			4.3	1.35	GRX87 GRXF87			4P																																																																																																																																																																																																																																																																																																																																																																																																																																																																																		
529	264	2.76	4.2	1.50			589	237	2.48			4.1	1.65					679			206					2.15	4.0	1.80					756	185	1.93					3.9	1.90	913					153	1.60	3.8					2.00	1050	133					1.39	3.6	2.10																																																																																																																																																																																																																																																																																																																																																																																																																																				
589	237	2.48	4.1	1.65			679	206	2.15			4.0	1.80					756			185					1.93	3.9	1.90					913	153	1.60					3.8	2.00	1050					133	1.39	3.6					2.10																																																																																																																																																																																																																																																																																																																																																																																																																																													
679	206	2.15	4.0	1.80			756	185	1.93			3.9	1.90					913			153					1.60	3.8	2.00					1050	133	1.39					3.6	2.10																																																																																																																																																																																																																																																																																																																																																																																																																																																										
756	185	1.93	3.9	1.90			913	153	1.60			3.8	2.00					1050			133					1.39	3.6	2.10																																																																																																																																																																																																																																																																																																																																																																																																																																																																							
913	153	1.60	3.8	2.00			1050	133	1.39			3.6	2.10																																																																																																																																																																																																																																																																																																																																																																																																																																																																																						
1050	133	1.39	3.6	2.10																																																																																																																																																																																																																																																																																																																																																																																																																																																																																															

选型参数表
(恒功率)

Selection Table
(Constant Power)

n_a [r/min]	Ma [Nm]	i	F_{ra} [kN]	f_B	机型号 Type size	极数 Pole	n_a [r/min]	Ma [Nm]	i	F_{ra} [kN]	f_B	机型号 Type size	极数 Pole																																																																																																																																																																																																																																																																																																																																																																																																																																																																																																																																																																																																																																																																					
18.5kW							18.5kW																																																																																																																																																																																																																																																																																																																																																																																																																																																																																																																																																																																																																																																																											
4.2	42871	347	128	0.85	GR177R107 GRF177R107	4P	59	2843	24.90	20	1.45	GR107 GRF107	4P																																																																																																																																																																																																																																																																																																																																																																																																																																																																																																																																																																																																																																																																					
4.7	38918	315	128	0.95			5.3	34470	279	128	1.05			5.8	31381	254	128	1.15	6.7	26934	218	128	1.35	7.7	23474	190	128	1.55	9.1	19891	161	128	1.85	3.6	48796	406	128	0.75	GR177R97 GRF177R97	4P	4.2	42546	354	128	0.85	4.9	36417	303	128	1.00	5.3	31723	183.34	128	1.10	GR177 GRF177	6P	5.9	28479	164.59	128	1.20	6.7	25067	144.87	128	1.40	7.6	22020	127.26	128	1.60	7.3	23010	201.53	128	1.50	GR177 GRF177	4P	8.0	20933	183.34	128	1.65	8.9	18792	164.59	128	1.85	10	16541	144.87	128	2.10	12	14530	127.26	128	2.35	7.9	21368	187.15	114	0.80	GR167 GRF167	4P	9.7	17316	151.66	114	1.00	10	16008	140.20	114	1.05	12	14000	122.62	114	1.25	14	11974	104.87	114	1.40	16	10638	93.17	114	1.60	18	9509	83.28	114	1.80	20	8370	73.31	114	2.00	22	7739	67.78	114	2.20	25	6767	59.27	114	2.50	29	5788	50.69	114	2.80	33	5143	45.04	114	3.20	12	13612	119.22	54	0.90	GR147 GRF147	4P	14	12410	108.69	59	1.00	16	10821	94.77	62	1.15	18	9519	83.37	64	1.30	21	8092	70.87	66	1.50	22	7627	66.80	67	1.60	24	6953	60.90	67	1.75	28	6062	53.09	68	2.00	31	5333	46.71	69	2.30	37	4533	39.70	69	2.70	42	3993	34.97	69	3.00	49	3460	30.30	69	3.50	18	9292	81.38	37	0.80	GR137 GRF137	4P	20	8439	73.91	48	0.90	22	7488	65.58	51	1.00	25	6795	59.51	52	1.10	29	5840	51.15	54	1.30	33	5098	44.65	55	1.50	39	4324	37.87	56	1.75	44	3779	33.10	57	2.00	53	3196	27.99	57	2.30	49	3425	30.00	57	2.20	60	2784	24.38	57	2.80	GR137 GRF137	4P	66	2537	22.22	58	3.00	76	2213	19.38	58	3.50	86	1947	17.05	58	4.00	GR107 GRF107	4P	36	4609	40.37	19	0.90	42	4026	35.26	21	1.00	50	3367	29.49	20	1.20	59	2843	24.90	20	1.45	65	2583	22.62	20	1.60	73	2292	20.07	19	1.80	81	2079	18.21	19	1.95	94	1787	15.65	18	2.30	108	1560	13.66	18	2.60	127	1323	11.59	17	3.10	145	1157	10.13	16	3.50	187	897	7.86	15	3.10	221	760	6.66	15	3.70	73	2300	20.14	14	1.05	81	2083	18.24	14	1.15	91	1846	16.17	14	1.25	101	1669	14.62	13	1.30	119	1415	12.39	13	1.45	136	1237	10.83	13	1.60	158	1061	9.29	13	1.80	175	958	8.39	12	2.00	206	813	7.12	12	2.30	237	709	6.21	11	2.50	283	594	5.20	11	2.80	327	514	4.50	11	3.00	110	1528	13.38	10	0.80	123	1368	11.98	9.9	0.85	148	1135	9.94	9.7	1.00	161	1044	9.14	10	1.10	179	939	8.22	9.8	1.15	206	814	7.13	9.5	1.25	230	730	6.39	9.3	1.30	277	605	5.30	8.9	1.40	306	577	4.80	10	2.30	377	469	3.90	5.9	2.90	413	428	3.56	5.9	3.40	474	373	3.10	6.5	4.00	538	328	2.73	6.9	4.25	634	279	2.32	5.9	4.35	721	245	2.04	6.0	4.90	350	480	4.20	7.3	1.65	386	435	3.81	7.2	1.80	435	386	3.38	7.0	2.00	479	351	3.07	6.9	2.20	557	301	2.64	6.7	2.60	639	263	2.30	6.4	3.00	754	223	1.95	6.2	3.20	860	195	1.71	6.0	3.40	1021	164	1.44	5.7	3.70	404	416	3.64	5.8	1.35	445	377	3.30	5.7	1.50	503	333	2.92	5.5	1.70	557	301	2.64	5.4	1.85	656	256	2.24	5.2	2.20	750	224	1.96	5.1	2.40	896	187	1.64	4.9	2.60	1035	162	1.42	4.7	2.70	533	315	2.76	2.9	1.20	593	283	2.48	3.2	1.35	684	245	2.15	3.4	1.50	762	220	1.93	3.6	1.55	919	183	1.60	3.6	1.65	1058	159	1.39	3.5	1.75	684	245	2.15	3.4	1.50	762	220	1.93	3.6	1.55	919	183	1.60	3.6	1.65	1058	159	1.39	3.5	1.75																								
5.3	34470	279	128	1.05			5.8	31381	254	128	1.15			6.7	26934	218	128	1.35	7.7	23474	190	128	1.55	9.1	19891	161	128	1.85	3.6	48796	406	128	0.75	GR177R97 GRF177R97	4P	4.2	42546	354			128	0.85	4.9	36417	303	128	1.00	5.3	31723	183.34	128	1.10	GR177 GRF177	6P	5.9			28479	164.59	128	1.20	6.7	25067	144.87	128	1.40	7.6	22020	127.26	128	1.60	7.3	23010	201.53	128	1.50	GR177 GRF177			4P	8.0	20933	183.34	128	1.65	8.9	18792	164.59	128	1.85	10	16541	144.87	128	2.10	12	14530	127.26	128	2.35	7.9	21368	187.15	114			0.80	GR167 GRF167	4P	9.7	17316	151.66	114	1.00	10	16008	140.20	114	1.05	12	14000	122.62	114	1.25	14	11974	104.87	114	1.40	16	10638	93.17	114	1.60	18	9509	83.28	114	1.80	20	8370	73.31	114	2.00	22	7739	67.78	114	2.20	25	6767	59.27	114	2.50	29	5788	50.69	114	2.80	33	5143	45.04	114	3.20	12	13612			119.22	54	0.90	GR147 GRF147	4P	14	12410	108.69	59	1.00	16	10821	94.77	62	1.15	18	9519	83.37	64	1.30	21	8092	70.87	66	1.50	22	7627	66.80	67	1.60	24	6953	60.90	67	1.75	28	6062	53.09	68	2.00	31	5333	46.71	69	2.30	37	4533	39.70	69	2.70	42	3993	34.97	69	3.00	49	3460	30.30	69	3.50			18	9292	81.38	37	0.80	GR137 GRF137	4P	20	8439	73.91	48	0.90	22	7488	65.58	51	1.00	25	6795	59.51	52	1.10	29	5840	51.15	54	1.30	33	5098	44.65	55	1.50	39	4324	37.87	56	1.75	44	3779	33.10	57	2.00	53	3196	27.99	57	2.30	49	3425	30.00			57	2.20	60	2784	24.38	57	2.80	GR137 GRF137	4P	66	2537	22.22	58	3.00	76			2213	19.38	58	3.50	86	1947	17.05	58	4.00	GR107 GRF107	4P	36	4609	40.37	19	0.90	42	4026	35.26	21	1.00	50	3367	29.49	20	1.20	59	2843	24.90	20	1.45	65	2583	22.62	20	1.60	73	2292	20.07	19	1.80	81	2079	18.21	19	1.95	94	1787	15.65	18	2.30	108	1560	13.66	18	2.60	127	1323	11.59	17	3.10	145	1157	10.13	16	3.50	187	897	7.86	15	3.10	221	760	6.66	15	3.70	73	2300	20.14	14	1.05	81	2083	18.24	14	1.15	91	1846	16.17	14	1.25	101	1669	14.62	13	1.30	119	1415	12.39	13	1.45	136	1237	10.83	13	1.60	158	1061	9.29	13	1.80	175	958	8.39	12	2.00	206	813	7.12	12	2.30	237	709	6.21	11	2.50	283	594	5.20	11	2.80	327	514	4.50	11	3.00	110	1528	13.38	10	0.80	123	1368	11.98	9.9	0.85	148	1135	9.94	9.7	1.00	161	1044	9.14	10	1.10	179	939	8.22	9.8	1.15	206	814	7.13	9.5	1.25	230	730	6.39	9.3	1.30	277	605	5.30	8.9	1.40	306	577	4.80	10	2.30	377	469	3.90	5.9	2.90	413	428	3.56	5.9	3.40	474	373	3.10	6.5	4.00	538	328	2.73	6.9	4.25	634	279	2.32	5.9	4.35	721	245	2.04	6.0	4.90	350	480	4.20	7.3	1.65	386	435	3.81	7.2	1.80	435	386	3.38	7.0	2.00	479	351	3.07	6.9	2.20	557	301	2.64	6.7	2.60	639	263	2.30	6.4	3.00	754	223	1.95	6.2	3.20	860	195	1.71	6.0	3.40	1021	164	1.44	5.7	3.70	404	416	3.64	5.8	1.35	445	377	3.30	5.7	1.50	503	333	2.92	5.5	1.70	557	301	2.64	5.4	1.85	656	256	2.24	5.2	2.20	750	224	1.96	5.1	2.40	896	187	1.64	4.9	2.60	1035	162	1.42	4.7	2.70	533	315	2.76	2.9	1.20	593	283	2.48	3.2	1.35	684	245	2.15	3.4	1.50	762	220	1.93	3.6	1.55	919	183	1.60	3.6	1.65	1058	159	1.39	3.5	1.75	684	245	2.15	3.4	1.50	762	220	1.93	3.6	1.55	919	183	1.60	3.6	1.65	1058	159	1.39	3.5	1.75													
5.8	31381	254	128	1.15			6.7	26934	218	128	1.35			7.7	23474	190	128	1.55	9.1	19891	161	128	1.85	3.6	48796	406	128	0.75	GR177R97 GRF177R97	4P	4.2	42546	354			128	0.85	4.9			36417	303	128	1.00	5.3	31723	183.34	128	1.10	GR177 GRF177	6P	5.9			28479			164.59	128	1.20	6.7	25067	144.87	128	1.40	7.6	22020	127.26	128	1.60	7.3	23010	201.53	128	1.50	GR177 GRF177					4P	8.0	20933	183.34	128	1.65	8.9	18792	164.59	128	1.85	10	16541	144.87	128	2.10	12	14530	127.26	128	2.35	7.9	21368	187.15			114			0.80	GR167 GRF167	4P	9.7	17316	151.66	114	1.00	10	16008	140.20	114	1.05	12	14000	122.62	114	1.25	14	11974	104.87	114	1.40	16	10638	93.17	114	1.60	18	9509	83.28	114	1.80	20	8370	73.31	114	2.00	22	7739	67.78	114	2.20	25	6767	59.27	114	2.50	29	5788	50.69	114	2.80	33	5143	45.04	114			3.20	12	13612			119.22	54	0.90	GR147 GRF147	4P	14	12410	108.69	59	1.00	16	10821	94.77	62	1.15	18	9519	83.37	64	1.30	21	8092	70.87	66	1.50	22	7627	66.80	67	1.60	24	6953	60.90	67	1.75	28	6062	53.09	68	2.00	31	5333	46.71	69	2.30	37	4533	39.70	69	2.70	42	3993	34.97	69	3.00			49	3460	30.30	69	3.50			18	9292	81.38	37	0.80	GR137 GRF137	4P	20	8439	73.91	48	0.90	22	7488	65.58	51	1.00	25	6795	59.51	52	1.10	29	5840	51.15	54	1.30	33	5098	44.65	55	1.50	39	4324	37.87	56	1.75	44	3779	33.10	57	2.00	53			3196	27.99	57	2.30	49	3425	30.00			57	2.20	60	2784	24.38	57			2.80	GR137 GRF137	4P	66	2537	22.22	58	3.00	76			2213	19.38	58	3.50	86	1947	17.05	58	4.00	GR107 GRF107	4P	36	4609	40.37	19	0.90	42	4026	35.26	21	1.00	50	3367	29.49	20	1.20	59	2843	24.90	20	1.45	65	2583	22.62	20	1.60	73	2292	20.07	19	1.80	81	2079	18.21	19	1.95	94	1787	15.65	18	2.30	108	1560	13.66	18	2.60	127	1323	11.59	17	3.10	145	1157	10.13	16	3.50	187	897	7.86	15	3.10	221	760	6.66	15	3.70	73	2300	20.14	14	1.05	81	2083	18.24	14	1.15	91	1846	16.17	14	1.25	101	1669	14.62	13	1.30	119	1415	12.39	13	1.45	136	1237	10.83	13	1.60	158	1061	9.29	13	1.80	175	958	8.39	12	2.00	206	813	7.12	12	2.30	237	709	6.21	11	2.50	283	594	5.20	11	2.80	327	514	4.50	11	3.00	110	1528	13.38	10	0.80	123	1368	11.98	9.9	0.85	148	1135	9.94	9.7	1.00	161	1044	9.14	10	1.10	179	939	8.22	9.8	1.15	206	814	7.13	9.5	1.25	230	730	6.39	9.3	1.30	277	605	5.30	8.9	1.40	306	577	4.80	10	2.30	377	469	3.90	5.9	2.90	413	428	3.56	5.9	3.40	474	373	3.10	6.5	4.00	538	328	2.73	6.9	4.25	634	279	2.32	5.9	4.35	721	245	2.04	6.0	4.90	350	480	4.20	7.3	1.65	386	435	3.81	7.2	1.80	435	386	3.38	7.0	2.00	479	351	3.07	6.9	2.20	557	301	2.64	6.7	2.60	639	263	2.30	6.4	3.00	754	223	1.95	6.2	3.20	860	195	1.71	6.0	3.40	1021	164	1.44	5.7	3.70	404	416	3.64	5.8	1.35	445	377	3.30	5.7	1.50	503	333	2.92	5.5	1.70	557	301	2.64	5.4	1.85	656	256	2.24	5.2	2.20	750	224	1.96	5.1	2.40	896	187	1.64	4.9	2.60	1035	162	1.42	4.7	2.70	533	315	2.76	2.9	1.20	593	283	2.48	3.2	1.35	684	245	2.15	3.4	1.50	762	220	1.93	3.6	1.55	919	183	1.60	3.6	1.65	1058	159	1.39	3.5	1.75	684	245	2.15	3.4	1.50	762	220	1.93	3.6	1.55	919	183	1.60	3.6	1.65	1058	159	1.39	3.5	1.75		
6.7	26934	218	128	1.35			7.7	23474	190	128	1.55			9.1	19891	161	128	1.85	3.6	48796	406	128	0.75	GR177R97 GRF177R97	4P	4.2	42546	354			128	0.85	4.9			36417	303	128	1.00	5.3	31723	183.34	128	1.10	GR177 GRF177	6P	5.9	28479	164.59			128			1.20			6.7	25067	144.87	128	1.40	7.6	22020	127.26	128	1.60	7.3	23010	201.53	128	1.50	GR177 GRF177	4P	8.0							20933	183.34	128	1.65	8.9	18792	164.59	128	1.85	10	16541	144.87	128	2.10	12	14530	127.26	128	2.35	7.9	21368	187.15	114			0.80			GR167 GRF167			4P	9.7	17316	151.66	114	1.00	10	16008	140.20	114	1.05	12	14000	122.62	114	1.25	14	11974	104.87	114	1.40	16	10638	93.17	114	1.60	18	9509	83.28	114	1.80	20	8370	73.31	114	2.00	22	7739	67.78	114	2.20	25	6767	59.27	114	2.50	29	5788	50.69	114	2.80	33	5143	45.04			114	3.20	12			13612	119.22	54			0.90	GR147 GRF147	4P	14	12410	108.69	59	1.00	16	10821	94.77	62	1.15	18	9519	83.37	64	1.30	21	8092	70.87	66	1.50	22	7627	66.80	67	1.60	24	6953	60.90	67	1.75	28	6062	53.09	68	2.00	31	5333	46.71	69	2.30	37	4533	39.70	69	2.70	42	3993			34.97	69	3.00	49	3460			30.30	69	3.50	18	9292			81.38	37	0.80	GR137 GRF137	4P	20	8439	73.91	48	0.90	22	7488	65.58	51	1.00	25	6795	59.51	52	1.10	29	5840	51.15	54	1.30	33	5098	44.65	55	1.50	39	4324	37.87	56	1.75	44	3779	33.10	57	2.00	53	3196	27.99	57	2.30			49	3425	30.00	57	2.20	60			2784			24.38	57	2.80	GR137 GRF137	4P	66			2537	22.22	58	3.00	76	2213	19.38	58	3.50			86	1947	17.05	58	4.00	GR107 GRF107	4P	36	4609	40.37	19	0.90	42	4026	35.26	21	1.00	50	3367	29.49	20	1.20	59	2843	24.90	20	1.45	65	2583	22.62	20	1.60	73	2292	20.07	19	1.80	81	2079	18.21	19	1.95	94	1787	15.65	18	2.30	108	1560	13.66	18	2.60	127	1323	11.59	17	3.10	145	1157	10.13	16	3.50	187	897	7.86	15	3.10	221	760	6.66	15	3.70	73	2300	20.14	14	1.05	81	2083	18.24	14	1.15	91	1846	16.17	14	1.25	101	1669	14.62	13	1.30	119	1415	12.39	13	1.45	136	1237	10.83	13	1.60	158	1061	9.29	13	1.80	175	958	8.39	12	2.00	206	813	7.12	12	2.30	237	709	6.21	11	2.50	283	594	5.20	11	2.80	327	514	4.50	11	3.00	110	1528	13.38	10	0.80	123	1368	11.98	9.9	0.85	148	1135	9.94	9.7	1.00	161	1044	9.14	10	1.10	179	939	8.22	9.8	1.15	206	814	7.13	9.5	1.25	230	730	6.39	9.3	1.30	277	605	5.30	8.9	1.40	306	577	4.80	10	2.30	377	469	3.90	5.9	2.90	413	428	3.56	5.9	3.40	474	373	3.10	6.5	4.00	538	328	2.73	6.9	4.25	634	279	2.32	5.9	4.35	721	245	2.04	6.0	4.90	350	480	4.20	7.3	1.65	386	435	3.81	7.2	1.80	435	386	3.38	7.0	2.00	479	351	3.07	6.9	2.20	557	301	2.64	6.7	2.60	639	263	2.30	6.4	3.00	754	223	1.95	6.2	3.20	860	195	1.71	6.0	3.40	1021	164	1.44	5.7	3.70	404	416	3.64	5.8	1.35	445	377	3.30	5.7	1.50	503	333	2.92	5.5	1.70	557	301	2.64	5.4	1.85	656	256	2.24	5.2	2.20	750	224	1.96	5.1	2.40	896	187	1.64	4.9	2.60	1035	162	1.42	4.7	2.70	533	315	2.76	2.9	1.20	593	283	2.48	3.2	1.35	684	245	2.15	3.4	1.50	762	220	1.93	3.6	1.55	919	183	1.60	3.6	1.65	1058	159	1.39	3.5	1.75	684	245	2.15	3.4	1.50	762	220	1.93	3.6	1.55	919	183	1.60	3.6	1.65
7.7	23474	190	128	1.55			9.1	19891	161	128	1.85			3.6	48796	406	128	0.75	GR177R97 GRF177R97	4P	4.2	42546	354			128	0.85	4.9			36417	303	128	1.00	5.3	31723	183.34	128	1.10	GR177 GRF177	6P	5.9	28479	164.59			128	1.20	6.7			25067			144.87	128	1.40	7.6	22020	127.26	128	1.60	7.3	23010	201.53	128	1.50	GR177 GRF177	4P	8.0	20933	183.34			128							1.65	8.9	18792	164.59	128	1.85	10	16541	144.87	128	2.10	12	14530	127.26	128	2.35	7.9	21368	187.15	114	0.80	GR167 GRF167	4P			9.7							17316	151.66	114	1.00	10	16008	140.20	114	1.05	12	14000	122.62	114	1.25	14	11974	104.87	114	1.40	16	10638	93.17	114	1.60	18	9509	83.28	114	1.80	20	8370	73.31	114	2.00	22	7739	67.78	114	2.20	25	6767	59.27	114	2.50	29	5788	50.69	114	2.80	33	5143	45.04	114			3.20	12	13612			119.22	54	0.90			GR147 GRF147			4P	14	12410	108.69	59	1.00	16	10821	94.77	62	1.15	18	9519	83.37	64	1.30	21	8092	70.87	66	1.50	22	7627	66.80	67	1.60	24	6953	60.90	67	1.75	28	6062	53.09	68	2.00	31	5333	46.71	69	2.30	37	4533	39.70	69	2.70	42			3993	34.97	69	3.00	49			3460	30.30	69	3.50	18			9292	81.38	37			0.80	GR137 GRF137	4P	20	8439	73.91	48	0.90	22	7488	65.58	51	1.00	25	6795	59.51	52	1.10	29	5840	51.15	54	1.30	33	5098	44.65	55	1.50	39	4324	37.87	56	1.75	44	3779	33.10	57	2.00	53	3196	27.99	57	2.30	49	3425	30.00	57	2.20			60			2784	24.38	57			2.80			GR137 GRF137	4P	66	2537	22.22	58	3.00	76	2213			19.38	58	3.50	86	1947			17.05	58	4.00	GR107 GRF107	4P	36	4609	40.37	19	0.90	42	4026	35.26	21	1.00	50	3367	29.49	20	1.20	59	2843	24.90	20	1.45	65	2583	22.62	20	1.60	73	2292	20.07	19	1.80	81	2079	18.21	19	1.95	94	1787	15.65	18	2.30	108	1560	13.66	18	2.60	127	1323	11.59	17	3.10	145	1157	10.13	16	3.50	187	897	7.86	15	3.10	221	760	6.66	15	3.70	73	2300	20.14	14	1.05	81	2083	18.24	14	1.15	91	1846	16.17	14	1.25	101	1669	14.62	13	1.30	119	1415	12.39	13	1.45	136	1237	10.83	13	1.60	158	1061	9.29	13	1.80	175	958	8.39	12	2.00	206	813	7.12	12	2.30	237	709	6.21	11	2.50	283	594	5.20	11	2.80	327	514	4.50	11	3.00	110	1528	13.38	10	0.80	123	1368	11.98	9.9	0.85	148	1135	9.94	9.7	1.00	161	1044	9.14	10	1.10	179	939	8.22	9.8	1.15	206	814	7.13	9.5	1.25	230	730	6.39	9.3	1.30	277	605	5.30	8.9	1.40	306	577	4.80	10	2.30	377	469	3.90	5.9	2.90	413	428	3.56	5.9	3.40	474	373	3.10	6.5	4.00	538	328	2.73	6.9	4.25	634	279	2.32	5.9	4.35	721	245	2.04	6.0	4.90	350	480	4.20	7.3	1.65	386	435	3.81	7.2	1.80	435	386	3.38	7.0	2.00	479	351	3.07	6.9	2.20	557	301	2.64	6.7	2.60	639	263	2.30	6.4	3.00	754	223	1.95	6.2	3.20	860	195	1.71	6.0	3.40	1021	164	1.44	5.7	3.70	404	416	3.64	5.8	1.35	445	377	3.30	5.7	1.50	503	333	2.92	5.5	1.70	557	301	2.64	5.4	1.85	656	256	2.24	5.2	2.20	750	224	1.96	5.1	2.40	896	187	1.64	4.9	2.60	1035	162	1.42	4.7	2.70	533	315	2.76	2.9	1.20	593	283	2.48	3.2	1.35	684	245	2.15	3.4	1.50	762	220	1.93	3.6	1.55	919	183	1.60	3.6	1.65	1058	159	1.39	3.5	1.75	684	245	2.15	3.4	1.50	762	220	1.93	3.6	1.55
9.1	19891	161	128	1.85			3.6	48796	406	128	0.75			GR177R97 GRF177R97	4P	4.2	42546	354			128	0.85	4.9			36417	303	128	1.00	5.3	31723	183.34	128	1.10	GR177 GRF177	6P	5.9	28479	164.59			128	1.20	6.7			25067	144.87	128			1.40	7.6	22020	127.26	128	1.60	7.3	23010	201.53	128	1.50	GR177 GRF177	4P	8.0	20933	183.34			128	1.65	8.9			18792			164.59	128			1.85	10	16541	144.87	128	2.10	12	14530	127.26	128	2.35	7.9	21368	187.15	114	0.80	GR167 GRF167	4P	9.7	17316	151.66					114							1.00	10	16008	140.20	114	1.05	12	14000	122.62	114	1.25	14	11974	104.87	114	1.40	16	10638	93.17	114	1.60	18	9509	83.28	114	1.80	20	8370	73.31	114	2.00	22	7739	67.78	114	2.20	25	6767	59.27	114	2.50	29	5788	50.69	114	2.80	33	5143	45.04	114	3.20	12	13612			119.22	54	0.90			GR147 GRF147	4P	14							12410	108.69	59	1.00	16	10821	94.77	62	1.15	18	9519	83.37	64	1.30	21	8092	70.87	66	1.50	22	7627	66.80	67	1.60	24	6953	60.90	67	1.75	28	6062	53.09	68	2.00	31	5333	46.71	69	2.30	37	4533	39.70	69	2.70	42	3993			34.97	69	3.00	49	3460			30.30	69	3.50	18	9292			81.38	37	0.80			GR137 GRF137			4P	20	8439	73.91	48	0.90	22	7488	65.58	51	1.00	25	6795	59.51	52	1.10	29	5840	51.15	54	1.30	33	5098	44.65	55	1.50	39	4324	37.87	56	1.75	44	3779	33.10	57	2.00	53	3196	27.99	57	2.30	49	3425	30.00	57	2.20	60	2784	24.38	57	2.80	GR137 GRF137	4P			66					2537	22.22	58	3.00	76	2213	19.38			58	3.50	86	1947	17.05			58	4.00	GR107 GRF107			4P	36	4609	40.37	19	0.90	42	4026	35.26	21	1.00	50	3367	29.49	20	1.20	59	2843	24.90	20	1.45	65	2583	22.62	20	1.60	73	2292	20.07	19	1.80	81	2079	18.21	19	1.95	94	1787	15.65	18	2.30	108	1560	13.66	18	2.60	127	1323	11.59	17	3.10	145	1157	10.13	16	3.50	187	897	7.86	15	3.10	221	760	6.66	15	3.70	73	2300	20.14	14	1.05	81	2083	18.24	14	1.15	91	1846	16.17	14	1.25	101	1669	14.62	13	1.30	119	1415	12.39	13	1.45	136	1237	10.83	13	1.60	158	1061	9.29	13	1.80	175	958	8.39	12	2.00	206	813	7.12	12	2.30	237	709	6.21	11	2.50	283	594	5.20	11	2.80	327	514	4.50	11	3.00	110	1528	13.38	10	0.80	123	1368	11.98	9.9	0.85	148	1135	9.94	9.7	1.00	161	1044	9.14	10	1.10	179	939	8.22	9.8	1.15	206	814	7.13	9.5	1.25	230	730	6.39	9.3	1.30	277	605	5.30	8.9	1.40	306	577	4.80	10	2.30	377	469	3.90	5.9	2.90	413	428	3.56	5.9	3.40	474	373	3.10	6.5	4.00	538	328	2.73	6.9	4.25	634	279	2.32	5.9	4.35	721	245	2.04	6.0	4.90	350	480	4.20	7.3	1.65	386	435	3.81	7.2	1.80	435	386	3.38	7.0	2.00	479	351	3.07	6.9	2.20	557	301	2.64	6.7	2.60	639	263	2.30	6.4	3.00	754	223	1.95	6.2	3.20	860	195	1.71	6.0	3.40	1021	164	1.44	5.7	3.70	404	416	3.64	5.8	1.35	445	377	3.30	5.7	1.50	503	333	2.92	5.5	1.70	557	301	2.64	5.4	1.85	656	256	2.24	5.2	2.20	750	224	1.96	5.1	2.40	896	187	1.64	4.9	2.60	1035	162	1.42	4.7	2.70	533	315	2.76	2.9	1.20	593	283	2.48	3.2	1.35	684	245	2.15	3.4	1.50	762	220	1.93	3.6	1.55	919	183	1.60	3.6	1.65	1058	159	1.39	3.5	1.75	684	245	2.15	3.4	1.50	762	220	1.93	3.6
3.6	48796	406	128	0.75	GR177R97 GRF177R97	4P	4.2	42546	354	128	0.85					4.9	36417	303			128	1.00	5.3	31723	183.34	128	1.10	GR177 GRF177	6P	5.9	28479	164.59	128	1.20			6.7	25067	144.87			128	1.40	7.6			22020	127.26	128	1.60	7.3	23010	201.53	128	1.50	GR177 GRF177	4P	8.0	20933	183.34	128	1.65			8.9	18792	164.59			128	1.85	10			16541		144.87	128	2.10	12		14530	127.26	128	2.35	7.9	21368	187.15	114	0.80	GR167 GRF167	4P	9.7	17316	151.66	114	1.00			10	16008	140.20					114							1.05	12	14000	122.62	114	1.25	14	11974	104.87	114	1.40	16	10638	93.17	114	1.60	18	9509	83.28	114	1.80	20	8370	73.31	114	2.00	22	7739	67.78	114	2.20	25	6767	59.27	114	2.50	29	5788	50.69	114	2.80	33	5143	45.04	114	3.20	12	13612	119.22	54	0.90	GR147 GRF147	4P			14	12410	108.69					59							1.00	16	10821	94.77	62	1.15	18	9519	83.37	64	1.30	21	8092	70.87	66	1.50	22	7627	66.80	67	1.60	24	6953	60.90	67	1.75	28	6062	53.09	68	2.00	31	5333	46.71	69	2.30	37	4533	39.70	69	2.70	42	3993	34.97	69	3.00			49	3460	30.30	69	3.50			18	9292	81.38	37	0.80			GR137 GRF137	4P	20							8439	73.91	48	0.90	22	7488	65.58	51	1.00	25	6795	59.51	52	1.10	29	5840	51.15	54	1.30	33	5098	44.65	55	1.50	39	4324	37.87	56	1.75	44	3779	33.10	57	2.00	53	3196	27.99	57	2.30	49	3425	30.00	57	2.20	60	2784	24.38	57	2.80	GR137 GRF137			4P	66	2537	22.22	58			3.00	76	2213	19.38	58	3.50	86			1947	17.05	58	4.00	GR107 GRF107			4P	36					4609	40.37	19	0.90	42	4026	35.26	21	1.00	50	3367	29.49	20	1.20	59	2843	24.90	20	1.45	65	2583	22.62	20	1.60	73	2292	20.07	19	1.80	81	2079	18.21	19	1.95	94	1787	15.65	18	2.30	108	1560	13.66	18	2.60	127	1323	11.59	17	3.10	145	1157	10.13	16	3.50	187	897	7.86	15	3.10	221	760	6.66	15	3.70	73	2300	20.14	14	1.05	81	2083	18.24	14	1.15	91	1846	16.17	14	1.25	101	1669	14.62	13	1.30	119	1415	12.39	13	1.45	136	1237	10.83	13	1.60	158	1061	9.29	13	1.80	175	958	8.39	12	2.00	206	813	7.12	12	2.30	237	709	6.21	11	2.50	283	594	5.20	11	2.80	327	514	4.50	11	3.00	110	1528	13.38	10	0.80	123	1368	11.98	9.9	0.85	148	1135	9.94	9.7	1.00	161	1044	9.14	10	1.10	179	939	8.22	9.8	1.15	206	814	7.13	9.5	1.25	230	730	6.39	9.3	1.30	277	605	5.30	8.9	1.40	306	577	4.80	10	2.30	377	469	3.90	5.9	2.90	413	428	3.56	5.9	3.40	474	373	3.10	6.5	4.00	538	328	2.73	6.9	4.25	634	279	2.32	5.9	4.35	721	245	2.04	6.0	4.90	350	480	4.20	7.3	1.65	386	435	3.81	7.2	1.80	435	386	3.38	7.0	2.00	479	351	3.07	6.9	2.20	557	301	2.64	6.7	2.60	639	263	2.30	6.4	3.00	754	223	1.95	6.2	3.20	860	195	1.71	6.0	3.40	1021	164	1.44	5.7	3.70	404	416	3.64	5.8	1.35	445	377	3.30	5.7	1.50	503	333	2.92	5.5	1.70	557	301	2.64	5.4	1.85	656	256	2.24	5.2	2.20	750	224	1.96	5.1	2.40	896	187	1.64	4.9	2.60	1035	162	1.42	4.7	2.70	533	315	2.76	2.9	1.20	593	283	2.48	3.2	1.35	684	245	2.15	3.4	1.50	762	220	1.93	3.6	1.55	919	183	1.60	3.6	1.65	1058	159	1.39	3.5	1.75	684	245	2.15	3.4	1.50	762	220	1.93	3.6	1.55
4.2	42546	354	128	0.85			4.9	36417	303	128	1.00					5.3	31723	183.34	128	1.10	GR177 GRF177	6P	5.9	28479	164.59	128	1.20			6.7	25067	144.87	128	1.40			7.6	22020	127.26			128	1.60	7.3	23010	201.53	128	1.50	GR177 GRF177	4P	8.0	20933	183.34	128	1.65			8.9	18792	164.59	128	1.85			10	16541	144.87			128	2.10	12			14530	127.26	128	2.35	7.9	21368	187.15	114	0.80	GR167 GRF167	4P	9.7	17316	151.66	114	1.00			10	16008	140.20	114	1.05			12	14000	122.62					114							1.25	14	11974	104.87	114	1.40	16	10638	93.17	114	1.60	18	9509	83.28	114	1.80	20	8370	73.31	114	2.00	22	7739	67.78	114	2.20	25	6767	59.27	114	2.50	29	5788	50.69	114	2.80	33	5143	45.04	114	3.20	12	13612	119.22	54	0.90	GR147 GRF147	4P	14	12410	108.69					59	1.00	16					10821							94.77	62	1.15	18	9519	83.37	64	1.30	21	8092	70.87	66	1.50	22	7627	66.80	67	1.60	24	6953	60.90	67	1.75	28	6062	53.09	68	2.00	31	5333	46.71	69	2.30	37	4533	39.70	69	2.70	42	3993	34.97	69	3.00	49	3460	30.30			69	3.50	18	9292	81.38			37	0.80	GR137 GRF137	4P	20					8439							73.91	48	0.90	22	7488	65.58	51	1.00	25	6795	59.51	52	1.10	29	5840	51.15	54	1.30	33	5098	44.65	55	1.50	39	4324	37.87	56	1.75	44	3779	33.10	57	2.00	53	3196	27.99	57	2.30	49	3425	30.00	57	2.20	60	2784	24.38	57	2.80	GR137 GRF137					4P	66	2537	22.22	58	3.00	76	2213	19.38	58	3.50	86	1947	17.05	58	4.00	GR107 GRF107	4P	36					4609					40.37	19	0.90	42	4026	35.26	21	1.00	50	3367	29.49	20	1.20	59	2843	24.90	20	1.45	65	2583	22.62	20	1.60	73	2292	20.07	19	1.80	81	2079	18.21	19	1.95	94	1787	15.65	18	2.30	108	1560	13.66	18	2.60	127	1323	11.59	17	3.10	145	1157	10.13	16	3.50	187	897	7.86	15	3.10	221	760	6.66	15	3.70	73	2300	20.14	14	1.05	81	2083	18.24	14	1.15	91	1846	16.17	14	1.25	101	1669	14.62	13	1.30	119	1415	12.39	13	1.45	136	1237	10.83	13	1.60	158	1061	9.29	13	1.80	175	958	8.39	12	2.00	206	813	7.12	12	2.30	237	709	6.21	11	2.50	283	594	5.20	11	2.80	327	514	4.50	11	3.00	110	1528	13.38	10	0.80	123	1368	11.98	9.9	0.85	148	1135	9.94	9.7	1.00	161	1044	9.14	10	1.10	179	939	8.22	9.8	1.15	206	814	7.13	9.5	1.25	230	730	6.39	9.3	1.30	277	605	5.30	8.9	1.40	306	577	4.80	10	2.30	377	469	3.90	5.9	2.90	413	428	3.56	5.9	3.40	474	373	3.10	6.5	4.00	538	328	2.73	6.9	4.25	634	279	2.32	5.9	4.35	721	245	2.04	6.0	4.90	350	480	4.20	7.3	1.65	386	435	3.81	7.2	1.80	435	386	3.38	7.0	2.00	479	351	3.07	6.9	2.20	557	301	2.64	6.7	2.60	639	263	2.30	6.4	3.00	754	223	1.95	6.2	3.20	860	195	1.71	6.0	3.40	1021	164	1.44	5.7	3.70	404	416	3.64	5.8	1.35	445	377	3.30	5.7	1.50	503	333	2.92	5.5	1.70	557	301	2.64	5.4	1.85	656	256	2.24	5.2	2.20	750	224	1.96	5.1	2.40	896	187	1.64	4.9	2.60	1035	162	1.42	4.7	2.70	533	315	2.76	2.9	1.20	593	283	2.48	3.2	1.35	684	245	2.15	3.4	1.50	762	220	1.93	3.6	1.55	919	183	1.60	3.6	1.65	1058	159	1.39	3.5	1.75	684	245	2.15	3.4	1.50	762	220	1.93	3.6	1.55	919
4.9	36417	303	128	1.00			5.3	31723	183.34	128	1.10			GR177 GRF177	6P	5.9	28479	164.59	128	1.20			6.7	25067	144.87	128	1.40			7.6	22020	127.26	128	1.60			7.3	23010	201.53	128	1.50	GR177 GRF177	4P	8.0	20933	183.34	128	1.65			8.9	18792	164.59	128	1.85			10	16541	144.87	128	2.10			12	14530	127.26			128	2.35	7.9	21368	187.15	114	0.80	GR167 GRF167	4P	9.7	17316	151.66	114	1.00			10	16008	140.20	114	1.05			12	14000	122.62	114	1.25			14	11974	104.87					114							1.40	16	10638	93.17	114	1.60	18	9509	83.28	114	1.80	20	8370	73.31	114	2.00	22	7739	67.78	114	2.20	25	6767	59.27	114	2.50	29	5788	50.69	114	2.80	33	5143	45.04	114	3.20	12	13612	119.22	54	0.90	GR147 GRF147	4P	14	12410	108.69			59	1.00	16					10821	94.77	62					1.15							18	9519	83.37	64	1.30	21	8092	70.87	66	1.50	22	7627	66.80	67	1.60	24	6953	60.90	67	1.75	28	6062	53.09	68	2.00	31	5333	46.71	69	2.30	37	4533	39.70	69	2.70	42	3993	34.97	69	3.00	49	3460	30.30	69	3.50	18			9292	81.38	37	0.80	GR137 GRF137			4P	20			8439					73.91							48	0.90	22	7488	65.58	51	1.00	25	6795	59.51	52	1.10	29	5840	51.15	54	1.30	33	5098	44.65	55	1.50	39	4324	37.87	56	1.75	44	3779	33.10	57	2.00	53	3196	27.99	57	2.30	49	3425	30.00	57	2.20	60	2784	24.38	57	2.80	GR137 GRF137			4P	66			2537	22.22	58	3.00	76	2213	19.38	58	3.50	86	1947	17.05	58	4.00	GR107 GRF107			4P		36	4609		40.37					19	0.90	42	4026	35.26	21	1.00	50	3367	29.49	20	1.20	59	2843	24.90	20	1.45	65	2583	22.62	20	1.60	73	2292	20.07	19	1.80	81	2079	18.21	19	1.95	94	1787	15.65	18	2.30	108	1560	13.66	18	2.60	127	1323	11.59	17	3.10	145	1157	10.13	16	3.50	187	897	7.86	15	3.10	221	760	6.66	15	3.70	73	2300	20.14	14	1.05	81	2083	18.24	14	1.15	91	1846	16.17	14	1.25	101	1669	14.62	13	1.30	119	1415	12.39	13	1.45	136	1237	10.83	13	1.60	158	1061	9.29	13	1.80	175	958	8.39	12	2.00	206	813	7.12	12	2.30	237	709	6.21	11	2.50	283	594	5.20	11	2.80	327	514	4.50	11	3.00	110	1528	13.38	10	0.80	123	1368	11.98	9.9	0.85	148	1135	9.94	9.7	1.00	161	1044	9.14	10	1.10	179	939	8.22	9.8	1.15	206	814	7.13	9.5	1.25	230	730	6.39	9.3	1.30	277	605	5.30	8.9	1.40	306	577	4.80	10	2.30	377	469	3.90	5.9	2.90	413	428	3.56	5.9	3.40	474	373	3.10	6.5	4.00	538	328	2.73	6.9	4.25	634	279	2.32	5.9	4.35	721	245	2.04	6.0	4.90	350	480	4.20	7.3	1.65	386	435	3.81	7.2	1.80	435	386	3.38	7.0	2.00	479	351	3.07	6.9	2.20	557	301	2.64	6.7	2.60	639	263	2.30	6.4	3.00	754	223	1.95	6.2	3.20	860	195	1.71	6.0	3.40	1021	164	1.44	5.7	3.70	404	416	3.64	5.8	1.35	445	377	3.30	5.7	1.50	503	333	2.92	5.5	1.70	557	301	2.64	5.4	1.85	656	256	2.24	5.2	2.20	750	224	1.96	5.1	2.40	896	187	1.64	4.9	2.60	1035	162	1.42	4.7	2.70	533	315	2.76	2.9	1.20	593	283	2.48	3.2	1.35	684	245	2.15	3.4	1.50	762	220	1.93	3.6	1.55	919	183	1.60	3.6	1.65	1058	159	1.39	3.5	1.75	684	245	2.15	3.4	1.50	762	220	1.93	3.6	1.55	919	183
5.3	31723	183.34	128	1.10	GR177 GRF177	6P	5.9	28479	164.59	128	1.20	6.7	25067			144.87	128	1.40	7.6	22020			127.26	128	1.60	7.3	23010			201.53	128	1.50	GR177 GRF177	4P	8.0	20933	183.34	128	1.65	8.9	18792			164.59	128	1.85	10	16541			144.87	128	2.10	12	14530			127.26	128	2.35	7.9	21368			187.15	114	0.80	GR167 GRF167	4P	9.7	17316	151.66	114	1.00	10	16008			140.20	114	1.05	12	14000			122.62	114	1.25	14	11974			104.87	114	1.40	16	10638			93.17	114	1.60					18							9509	83.28	114	1.80	20	8370	73.31	114	2.00	22	7739	67.78	114	2.20	25	6767	59.27	114	2.50	29	5788	50.69	114	2.80	33	5143	45.04	114	3.20	12	13612	119.22	54	0.90	GR147 GRF147	4P	14	12410	108.69	59	1.00			16	10821	94.77			62	1.15	18					9519	83.37	64					1.30							21	8092	70.87	66	1.50	22	7627	66.80	67	1.60	24	6953	60.90	67	1.75	28	6062	53.09	68	2.00	31	5333	46.71	69	2.30	37	4533	39.70	69	2.70	42	3993	34.97	69	3.00	49	3460	30.30	69	3.50	18	9292	81.38	37	0.80	GR137 GRF137			4P	20	8439	73.91					48			0.90					22							7488	65.58	51	1.00	25	6795	59.51	52	1.10	29	5840	51.15	54	1.30	33	5098	44.65	55	1.50	39	4324	37.87	56	1.75	44	3779	33.10	57	2.00	53	3196	27.99	57	2.30	49	3425	30.00	57	2.20	60	2784	24.38	57	2.80	GR137 GRF137	4P	66			2537		22.22	58		3.00	76	2213	19.38	58	3.50	86	1947	17.05	58	4.00	GR107 GRF107	4P	36						4609	40.37		19		0.90	42		4026	35.26	21	1.00	50	3367	29.49	20	1.20	59	2843	24.90	20	1.45	65	2583	22.62	20	1.60	73	2292	20.07	19	1.80	81	2079	18.21	19	1.95	94	1787	15.65	18	2.30	108	1560	13.66	18	2.60	127	1323	11.59	17	3.10	145	1157	10.13	16	3.50	187	897	7.86	15	3.10	221	760	6.66	15	3.70	73	2300	20.14	14	1.05	81	2083	18.24	14	1.15	91	1846	16.17	14	1.25	101	1669	14.62	13	1.30	119	1415	12.39	13	1.45	136	1237	10.83	13	1.60	158	1061	9.29	13	1.80	175	958	8.39	12	2.00	206	813	7.12	12	2.30	237	709	6.21	11	2.50	283	594	5.20	11	2.80	327	514	4.50	11	3.00	110	1528	13.38	10	0.80	123	1368	11.98	9.9	0.85	148	1135	9.94	9.7	1.00	161	1044	9.14	10	1.10	179	939	8.22	9.8	1.15	206	814	7.13	9.5	1.25	230	730	6.39	9.3	1.30	277	605	5.30	8.9	1.40	306	577	4.80	10	2.30	377	469	3.90	5.9	2.90	413	428	3.56	5.9	3.40	474	373	3.10	6.5	4.00	538	328	2.73	6.9	4.25	634	279	2.32	5.9	4.35	721	245	2.04	6.0	4.90	350	480	4.20	7.3	1.65	386	435	3.81	7.2	1.80	435	386	3.38	7.0	2.00	479	351	3.07	6.9	2.20	557	301	2.64	6.7	2.60	639	263	2.30	6.4	3.00	754	223	1.95	6.2	3.20	860	195	1.71	6.0	3.40	1021	164	1.44	5.7	3.70	404	416	3.64	5.8	1.35	445	377	3.30	5.7	1.50	503	333	2.92	5.5	1.70	557	301	2.64	5.4	1.85	656	256	2.24	5.2	2.20	750	224	1.96	5.1	2.40	896	187	1.64	4.9	2.60	1035	162	1.42	4.7	2.70	533	315	2.76	2.9	1.20	593	283	2.48	3.2	1.35	684	245	2.15	3.4	1.50	762	220	1.93	3.6	1.55	919	183	1.60	3.6	1.65	1058	159	1.39	3.5	1.75	684	245	2.15	3.4	1.50	762	220	1.93	3.6	1.55	919	183	1.60	3.6	1.65
5.9	28479	164.59	128	1.20			6.7	25067	144.87	128	1.40	7.6	22020			127.26	128	1.60	7.3	23010			201.53	128	1.50	GR177 GRF177	4P	8.0	20933	183.34	128	1.65			8.9	18792	164.59	128	1.85	10	16541			144.87	128	2.10	12	14530			127.26	128	2.35	7.9	21368			187.15	114	0.80	GR167 GRF167	4P	9.7	17316	151.66	114	1.00			10	16008	140.20	114	1.05	12	14000			122.62	114	1.25	14	11974			104.87	114	1.40	16	10638			93.17	114	1.60	18	9509			83.28	114	1.80			20	8370	73.31							114	2.00	22	7739	67.78	114	2.20	25	6767	59.27	114	2.50	29	5788	50.69	114	2.80	33	5143	45.04	114	3.20	12	13612	119.22	54	0.90	GR147 GRF147	4P	14	12410	108.69	59	1.00			16	10821	94.77	62	1.15			18	9519	83.37			64	1.30	21			8092	70.87	66	1.50	22					7627							66.80	67	1.60	24	6953	60.90	67	1.75	28	6062	53.09	68	2.00	31	5333	46.71	69	2.30	37	4533	39.70	69	2.70	42	3993	34.97	69	3.00	49	3460	30.30	69	3.50	18	9292	81.38	37	0.80	GR137 GRF137	4P	20	8439	73.91	48	0.90		22	7488		65.58	51	1.00					25			6795					59.51							52	1.10	29	5840	51.15	54	1.30	33	5098	44.65	55	1.50	39	4324	37.87	56	1.75	44	3779	33.10	57	2.00	53	3196	27.99	57	2.30	49	3425	30.00	57	2.20	60	2784	24.38	57	2.80	GR137 GRF137	4P	66	2537	22.22	58	3.00			76		2213	19.38		58	3.50	86	1947	17.05	58	4.00	GR107 GRF107	4P	36	4609	40.37	19	0.90			42						4026	35.26		21	1.00	50	3367	29.49	20	1.20	59	2843	24.90	20	1.45	65	2583	22.62	20	1.60	73	2292	20.07	19	1.80	81	2079	18.21	19	1.95	94	1787	15.65	18	2.30	108	1560	13.66	18	2.60	127	1323	11.59	17	3.10	145	1157	10.13	16	3.50	187	897	7.86	15	3.10	221	760	6.66	15	3.70	73	2300	20.14	14	1.05	81	2083	18.24	14	1.15	91	1846	16.17	14	1.25	101	1669	14.62	13	1.30	119	1415	12.39	13	1.45	136	1237	10.83	13	1.60	158	1061	9.29	13	1.80	175	958	8.39	12	2.00	206	813	7.12	12	2.30	237	709	6.21	11	2.50	283	594	5.20	11	2.80	327	514	4.50	11	3.00	110	1528	13.38	10	0.80	123	1368	11.98	9.9	0.85	148	1135	9.94	9.7	1.00	161	1044	9.14	10	1.10	179	939	8.22	9.8	1.15	206	814	7.13	9.5	1.25	230	730	6.39	9.3	1.30	277	605	5.30	8.9	1.40	306	577	4.80	10	2.30	377	469	3.90	5.9	2.90	413	428	3.56	5.9	3.40	474	373	3.10	6.5	4.00	538	328	2.73	6.9	4.25	634	279	2.32	5.9	4.35	721	245	2.04	6.0	4.90	350	480	4.20	7.3	1.65	386	435	3.81	7.2	1.80	435	386	3.38	7.0	2.00	479	351	3.07	6.9	2.20	557	301	2.64	6.7	2.60	639	263	2.30	6.4	3.00	754	223	1.95	6.2	3.20	860	195	1.71	6.0	3.40	1021	164	1.44	5.7	3.70	404	416	3.64	5.8	1.35	445	377	3.30	5.7	1.50	503	333	2.92	5.5	1.70	557	301	2.64	5.4	1.85	656	256	2.24	5.2	2.20	750	224	1.96	5.1	2.40	896	187	1.64	4.9	2.60	1035	162	1.42	4.7	2.70	533	315	2.76	2.9	1.20	593	283	2.48	3.2	1.35	684	245	2.15	3.4	1.50	762	220	1.93	3.6	1.55	919	183	1.60	3.6	1.65	1058	159	1.39	3.5	1.75	684	245	2.15	3.4	1.50	762	220	1.93	3.6	1.55	919	183	1.60	3.6	1.65	1058	159	1.39	3.5	1.75		
6.7	25067	144.87	128	1.40			7.6	22020	127.26	128	1.60	7.3	23010			201.53	128	1.50	GR177 GRF177	4P	8.0	20933	183.34	128	1.65			8.9	18792	164.59	128	1.85			10	16541	144.87	128	2.10	12	14530			127.26	128	2.35	7.9	21368			187.15	114	0.80	GR167 GRF167	4P	9.7	17316	151.66	114	1.00			10	16008	140.20	114	1.05			12	14000	122.62	114	1.25	14	11974			104.87	114	1.40	16	10638			93.17	114	1.60	18	9509			83.28	114	1.80	20	8370			73.31	114	2.00			22	7739	67.78	114	2.20					25	6767	59.27	114	2.50	29	5788	50.69	114	2.80	33	5143	45.04	114	3.20	12	13612	119.22	54	0.90	GR147 GRF147	4P	14	12410	108.69	59	1.00			16	10821	94.77	62	1.15			18	9519	83.37	64	1.30			21	8092	70.87			66	1.50	22			7627	66.80	67	1.60	24	6953	60.90			67							1.75	28	6062	53.09	68	2.00	31	5333	46.71	69	2.30	37	4533	39.70	69	2.70	42	3993	34.97	69	3.00	49	3460	30.30	69	3.50	18	9292	81.38	37	0.80	GR137 GRF137	4P	20	8439	73.91	48	0.90			22	7488	65.58	51	1.00		25	6795		59.51	52	1.10		29	5840		51.15			54					1.30							33	5098	44.65	55	1.50	39	4324	37.87	56	1.75	44	3779	33.10	57	2.00	53	3196	27.99	57	2.30	49	3425	30.00	57	2.20	60	2784	24.38	57	2.80	GR137 GRF137	4P	66	2537	22.22	58	3.00			76	2213	19.38	58	3.50			86	1947	17.05	58	4.00	GR107 GRF107	4P	36	4609	40.37	19	0.90			42	4026	35.26	21	1.00			50					3367	29.49	20	1.20	59	2843	24.90	20	1.45	65	2583	22.62	20	1.60	73	2292	20.07	19	1.80	81	2079	18.21	19	1.95	94	1787	15.65	18	2.30	108	1560	13.66	18	2.60	127	1323	11.59	17	3.10	145	1157	10.13	16	3.50	187	897	7.86	15	3.10	221	760	6.66	15	3.70	73	2300	20.14	14	1.05	81	2083	18.24	14	1.15	91	1846	16.17	14	1.25	101	1669	14.62	13	1.30	119	1415	12.39	13	1.45	136	1237	10.83	13	1.60	158	1061	9.29	13	1.80	175	958	8.39	12	2.00	206	813	7.12	12	2.30	237	709	6.21	11	2.50	283	594	5.20	11	2.80	327	514	4.50	11	3.00	110	1528	13.38	10	0.80	123	1368	11.98	9.9	0.85	148	1135	9.94	9.7	1.00	161	1044	9.14	10	1.10	179	939	8.22	9.8	1.15	206	814	7.13	9.5	1.25	230	730	6.39	9.3	1.30	277	605	5.30	8.9	1.40	306	577	4.80	10	2.30	377	469	3.90	5.9	2.90	413	428	3.56	5.9	3.40	474	373	3.10	6.5	4.00	538	328	2.73	6.9	4.25	634	279	2.32	5.9	4.35	721	245	2.04	6.0	4.90	350	480	4.20	7.3	1.65	386	435	3.81	7.2	1.80	435	386	3.38	7.0	2.00	479	351	3.07	6.9	2.20	557	301	2.64	6.7	2.60	639	263	2.30	6.4	3.00	754	223	1.95	6.2	3.20	860	195	1.71	6.0	3.40	1021	164	1.44	5.7	3.70	404	416	3.64	5.8	1.35	445	377	3.30	5.7	1.50	503	333	2.92	5.5	1.70	557	301	2.64	5.4	1.85	656	256	2.24	5.2	2.20	750	224	1.96	5.1	2.40	896	187	1.64	4.9	2.60	1035	162	1.42	4.7	2.70	533	315	2.76	2.9	1.20	593	283	2.48	3.2	1.35	684	245	2.15	3.4	1.50	762	220	1.93	3.6	1.55	919	183	1.60	3.6	1.65	1058	159	1.39	3.5	1.75	684	245	2.15	3.4	1.50	762	220	1.93	3.6	1.55	919	183	1.60	3.6	1.65	1058	159	1.39	3.5	1.75									
7.6	22020	127.26	128	1.60			7.3	23010	201.53	128	1.50	GR177 GRF177	4P	8.0	20933	183.34	128	1.65			8.9	18792	164.59	128	1.85			10	16541	144.87	128	2.10			12	14530	127.26	128	2.35	7.9	21368			187.15	114	0.80	GR167 GRF167	4P	9.7	17316	151.66	114	1.00			10	16008	140.20	114	1.05			12	14000	122.62	114	1.25			14	11974	104.87	114	1.40	16	10638			93.17	114	1.60	18	9509			83.28	114	1.80	20	8370			73.31	114	2.00	22	7739			67.78	114	2.20			25	6767	59.27	114	2.50		29	5788		50.69	114	2.80	33	5143	45.04	114	3.20	12	13612	119.22	54	0.90	GR147 GRF147	4P	14	12410	108.69	59	1.00			16	10821	94.77	62	1.15			18	9519	83.37	64	1.30			21	8092	70.87	66	1.50			22	7627	66.80			67	1.60	24			6953	60.90	67	1.75	28	6062	53.09			68	2.00	31					5333	46.71	69	2.30	37	4533	39.70	69	2.70	42	3993	34.97	69	3.00	49	3460	30.30	69	3.50	18	9292	81.38	37	0.80	GR137 GRF137	4P	20	8439	73.91	48	0.90			22	7488	65.58	51	1.00			25	6795	59.51	52	1.10		29	5840		51.15	54	1.30		33	5098		44.65			55	1.50	39			4324							37.87	56	1.75	44	3779	33.10	57	2.00	53	3196	27.99	57	2.30	49	3425	30.00	57	2.20	60	2784	24.38	57	2.80	GR137 GRF137	4P	66	2537	22.22	58	3.00			76	2213	19.38	58	3.50			86	1947	17.05	58	4.00	GR107 GRF107	4P	36	4609	40.37	19	0.90			42	4026	35.26	21	1.00			50	3367	29.49	20	1.20			59		2843	24.90		20	1.45	65	2583	22.62	20	1.60	73	2292	20.07	19	1.80	81	2079	18.21	19	1.95	94	1787	15.65	18	2.30	108	1560	13.66	18	2.60	127	1323	11.59	17	3.10	145	1157	10.13	16	3.50	187	897	7.86	15	3.10	221	760	6.66	15	3.70	73	2300	20.14	14	1.05	81	2083	18.24	14	1.15	91	1846	16.17	14	1.25	101	1669	14.62	13	1.30	119	1415	12.39	13	1.45	136	1237	10.83	13	1.60	158	1061	9.29	13	1.80	175	958	8.39	12	2.00	206	813	7.12	12	2.30	237	709	6.21	11	2.50	283	594	5.20	11	2.80	327	514	4.50	11	3.00	110	1528	13.38	10	0.80	123	1368	11.98	9.9	0.85	148	1135	9.94	9.7	1.00	161	1044	9.14	10	1.10	179	939	8.22	9.8	1.15	206	814	7.13	9.5	1.25	230	730	6.39	9.3	1.30	277	605	5.30	8.9	1.40	306	577	4.80	10	2.30	377	469	3.90	5.9	2.90	413	428	3.56	5.9	3.40	474	373	3.10	6.5	4.00	538	328	2.73	6.9	4.25	634	279	2.32	5.9	4.35	721	245	2.04	6.0	4.90	350	480	4.20	7.3	1.65	386	435	3.81	7.2	1.80	435	386	3.38	7.0	2.00	479	351	3.07	6.9	2.20	557	301	2.64	6.7	2.60	639	263	2.30	6.4	3.00	754	223	1.95	6.2	3.20	860	195	1.71	6.0	3.40	1021	164	1.44	5.7	3.70	404	416	3.64	5.8	1.35	445	377	3.30	5.7	1.50	503	333	2.92	5.5	1.70	557	301	2.64	5.4	1.85	656	256	2.24	5.2	2.20	750	224	1.96	5.1	2.40	896	187	1.64	4.9	2.60	1035	162	1.42	4.7	2.70	533	315	2.76	2.9	1.20	593	283	2.48	3.2	1.35	684	245	2.15	3.4	1.50	762	220	1.93	3.6	1.55	919	183	1.60	3.6	1.65	1058	159	1.39	3.5	1.75	684	245	2.15	3.4	1.50	762	220	1.93	3.6	1.55	919	183	1.60	3.6	1.65	1058	159	1.39	3.5	1.75																
7.3	23010	201.53	128	1.50	GR177 GRF177	4P	8.0	20933	183.34	128	1.65			8.9	18792	164.59	128	1.85			10	16541	144.87	128	2.10			12	14530	127.26	128	2.35			7.9	21368	187.15	114	0.80	GR167 GRF167	4P	9.7	17316	151.66	114	1.00			10	16008	140.20	114	1.05			12	14000	122.62	114	1.25			14	11974	104.87	114	1.40			16	10638	93.17	114	1.60	18	9509			83.28	114	1.80	20	8370			73.31	114	2.00	22	7739			67.78	114	2.20	25	6767			59.27	114	2.50			29	5788	50.69	114	2.80	33	5143	45.04	114	3.20	12	13612	119.22	54	0.90	GR147 GRF147	4P	14	12410	108.69	59	1.00			16	10821	94.77	62	1.15			18	9519	83.37	64	1.30			21	8092	70.87	66	1.50			22	7627	66.80	67	1.60			24	6953	60.90			67	1.75	28			6062	53.09	68	2.00	31	5333	46.71			69	2.30	37		4533	39.70		69	2.70	42	3993	34.97	69	3.00	49	3460	30.30	69	3.50	18	9292	81.38	37	0.80	GR137 GRF137	4P	20	8439	73.91	48	0.90			22	7488	65.58	51	1.00			25	6795	59.51	52	1.10			29	5840	51.15	54	1.30		33	5098		44.65	55	1.50		39	4324		37.87			56	1.75	44			3779	33.10	57					2.00	53	3196	27.99	57	2.30	49	3425	30.00	57	2.20	60	2784	24.38	57	2.80	GR137 GRF137	4P	66	2537	22.22	58	3.00			76	2213	19.38	58	3.50			86	1947	17.05	58	4.00	GR107 GRF107	4P	36	4609	40.37	19	0.90			42	4026	35.26	21	1.00			50	3367	29.49	20	1.20			59	2843	24.90	20	1.45			65	2583	22.62	20	1.60	73	2292	20.07	19	1.80	81	2079	18.21	19	1.95	94	1787	15.65	18	2.30	108	1560	13.66	18	2.60	127	1323	11.59	17	3.10	145	1157	10.13	16	3.50	187	897	7.86	15	3.10	221	760	6.66	15	3.70	73	2300	20.14	14	1.05	81	2083	18.24	14	1.15	91	1846	16.17	14	1.25	101	1669	14.62	13	1.30	119	1415	12.39	13	1.45	136	1237	10.83	13	1.60	158	1061	9.29	13	1.80	175	958	8.39	12	2.00	206	813	7.12	12	2.30	237	709	6.21	11	2.50	283	594	5.20	11	2.80	327	514	4.50	11	3.00	110	1528	13.38	10	0.80	123	1368	11.98	9.9	0.85	148	1135	9.94	9.7	1.00	161	1044	9.14	10	1.10	179	939	8.22	9.8	1.15	206	814	7.13	9.5	1.25	230	730	6.39	9.3	1.30	277	605	5.30	8.9	1.40	306	577	4.80	10	2.30	377	469	3.90	5.9	2.90	413	428	3.56	5.9	3.40	474	373	3.10	6.5	4.00	538	328	2.73	6.9	4.25	634	279	2.32	5.9	4.35	721	245	2.04	6.0	4.90	350	480	4.20	7.3	1.65	386	435	3.81	7.2	1.80	435	386	3.38	7.0	2.00	479	351	3.07	6.9	2.20	557	301	2.64	6.7	2.60	639	263	2.30	6.4	3.00	754	223	1.95	6.2	3.20	860	195	1.71	6.0	3.40	1021	164	1.44	5.7	3.70	404	416	3.64	5.8	1.35	445	377	3.30	5.7	1.50	503	333	2.92	5.5	1.70	557	301	2.64	5.4	1.85	656	256	2.24	5.2	2.20	750	224	1.96	5.1	2.40	896	187	1.64	4.9	2.60	1035	162	1.42	4.7	2.70	533	315	2.76	2.9	1.20	593	283	2.48	3.2	1.35	684	245	2.15	3.4	1.50	762	220	1.93	3.6	1.55	919	183	1.60	3.6	1.65	1058	159	1.39	3.5	1.75	684	245	2.15	3.4	1.50	762	220	1.93	3.6	1.55	919	183	1.60	3.6	1.65	1058	159	1.39	3.5	1.75																							
8.0	20933	183.34	128	1.65			8.9	18792	164.59	128	1.85			10	16541	144.87	128	2.10			12	14530	127.26	128	2.35			7.9	21368	187.15	114	0.80	GR167 GRF167	4P	9.7	17316	151.66	114	1.00			10	16008	140.20	114	1.05			12	14000	122.62	114	1.25			14	11974	104.87	114	1.40			16	10638	93.17	114	1.60			18	9509	83.28	114	1.80	20	8370			73.31	114	2.00	22	7739			67.78	114	2.20	25	6767			59.27	114	2.50	29	5788			50.69	114	2.80	33	5143	45.04	114	3.20	12	13612	119.22	54	0.90	GR147 GRF147	4P	14	12410	108.69	59	1.00			16	10821	94.77	62	1.15			18	9519	83.37	64	1.30			21	8092	70.87	66	1.50			22	7627	66.80	67	1.60			24	6953	60.90	67	1.75			28	6062	53.09			68	2.00	31			5333	46.71	69	2.30	37	4533	39.70			69	2.70	42	3993	34.97	69	3.00	49	3460	30.30	69	3.50	18	9292	81.38	37	0.80	GR137 GRF137	4P	20	8439	73.91	48	0.90			22	7488	65.58	51	1.00			25	6795	59.51	52	1.10			29	5840	51.15	54	1.30			33	5098	44.65	55	1.50		39	4324		37.87	56	1.75		44	3779		33.10			57	2.00	53			3196	27.99	57		2.30	49		3425	30.00	57	2.20	60	2784	24.38	57	2.80	GR137 GRF137	4P	66	2537	22.22	58	3.00			76	2213	19.38	58	3.50			86	1947	17.05	58	4.00	GR107 GRF107	4P	36	4609	40.37	19	0.90			42	4026	35.26	21	1.00			50	3367	29.49	20	1.20			59	2843	24.90	20	1.45			65	2583	22.62	20	1.60	73	2292	20.07	19	1.80	81	2079	18.21	19	1.95	94	1787	15.65	18	2.30	108	1560	13.66	18	2.60	127	1323	11.59	17	3.10	145	1157	10.13	16	3.50	187	897	7.86	15	3.10	221	760	6.66	15	3.70	73	2300	20.14	14	1.05	81	2083	18.24	14	1.15	91	1846	16.17	14	1.25	101	1669	14.62	13	1.30	119	1415	12.39	13	1.45	136	1237	10.83	13	1.60	158	1061	9.29	13	1.80	175	958	8.39	12	2.00	206	813	7.12	12	2.30	237	709	6.21	11	2.50	283	594	5.20	11	2.80	327	514	4.50	11	3.00	110	1528	13.38	10	0.80	123	1368	11.98	9.9	0.85	148	1135	9.94	9.7	1.00	161	1044	9.14	10	1.10	179	939	8.22	9.8	1.15	206	814	7.13	9.5	1.25	230	730	6.39	9.3	1.30	277	605	5.30	8.9	1.40	306	577	4.80	10	2.30	377	469	3.90	5.9	2.90	413	428	3.56	5.9	3.40	474	373	3.10	6.5	4.00	538	328	2.73	6.9	4.25	634	279	2.32	5.9	4.35	721	245	2.04	6.0	4.90	350	480	4.20	7.3	1.65	386	435	3.81	7.2	1.80	435	386	3.38	7.0	2.00	479	351	3.07	6.9	2.20	557	301	2.64	6.7	2.60	639	263	2.30	6.4	3.00	754	223	1.95	6.2	3.20	860	195	1.71	6.0	3.40	1021	164	1.44	5.7	3.70	404	416	3.64	5.8	1.35	445	377	3.30	5.7	1.50	503	333	2.92	5.5	1.70	557	301	2.64	5.4	1.85	656	256	2.24	5.2	2.20	750	224	1.96	5.1	2.40	896	187	1.64	4.9	2.60	1035	162	1.42	4.7	2.70	533	315	2.76	2.9	1.20	593	283	2.48	3.2	1.35	684	245	2.15	3.4	1.50	762	220	1.93	3.6	1.55	919	183	1.60	3.6	1.65	1058	159	1.39	3.5	1.75	684	245	2.15	3.4	1.50	762	220	1.93	3.6	1.55	919	183	1.60	3.6	1.65	1058	159	1.39	3.5	1.75																														
8.9	18792	164.59	128	1.85			10	16541	144.87	128	2.10			12	14530	127.26	128	2.35			7.9	21368	187.15	114	0.80	GR167 GRF167	4P	9.7	17316	151.66	114	1.00			10	16008	140.20	114	1.05			12	14000	122.62	114	1.25			14	11974	104.87	114	1.40			16	10638	93.17	114	1.60			18	9509	83.28	114	1.80			20	8370	73.31	114	2.00	22	7739			67.78	114	2.20	25	6767			59.27	114	2.50	29	5788			50.69	114	2.80	33	5143	45.04	114	3.20	12	13612	119.22	54	0.90	GR147 GRF147	4P	14	12410	108.69	59	1.00			16	10821	94.77	62	1.15			18	9519	83.37	64	1.30			21	8092	70.87	66	1.50			22	7627	66.80	67	1.60			24	6953	60.90	67	1.75			28	6062	53.09	68	2.00			31	5333	46.71			69	2.30	37			4533	39.70	69	2.70	42	3993	34.97	69	3.00	49	3460	30.30	69	3.50	18	9292	81.38	37	0.80	GR137 GRF137	4P	20	8439	73.91	48	0.90			22	7488	65.58	51	1.00			25	6795	59.51	52	1.10			29	5840	51.15	54	1.30			33	5098	44.65	55	1.50			39	4324	37.87	56	1.75		44	3779		33.10	57	2.00		53	3196		27.99			57	2.30	49			3425	30.00	57	2.20	60	2784	24.38	57	2.80	GR137 GRF137	4P	66	2537	22.22	58	3.00			76	2213	19.38	58	3.50			86	1947	17.05	58	4.00	GR107 GRF107	4P	36	4609	40.37	19	0.90			42	4026	35.26	21	1.00			50	3367	29.49	20	1.20			59	2843	24.90	20	1.45			65	2583	22.62	20	1.60	73	2292	20.07	19	1.80	81	2079	18.21	19	1.95	94	1787	15.65	18	2.30	108	1560	13.66	18	2.60	127	1323	11.59	17	3.10	145	1157	10.13	16	3.50	187	897	7.86	15	3.10	221	760	6.66	15	3.70	73	2300	20.14	14	1.05	81	2083	18.24	14	1.15	91	1846	16.17	14	1.25	101	1669	14.62	13	1.30	119	1415	12.39	13	1.45	136	1237	10.83	13	1.60	158	1061	9.29	13	1.80	175	958	8.39	12	2.00	206	813	7.12	12	2.30	237	709	6.21	11	2.50	283	594	5.20	11	2.80	327	514	4.50	11	3.00	110	1528	13.38	10	0.80	123	1368	11.98	9.9	0.85	148	1135	9.94	9.7	1.00	161	1044	9.14	10	1.10	179	939	8.22	9.8	1.15	206	814	7.13	9.5	1.25	230	730	6.39	9.3	1.30	277	605	5.30	8.9	1.40	306	577	4.80	10	2.30	377	469	3.90	5.9	2.90	413	428	3.56	5.9	3.40	474	373	3.10	6.5	4.00	538	328	2.73	6.9	4.25	634	279	2.32	5.9	4.35	721	245	2.04	6.0	4.90	350	480	4.20	7.3	1.65	386	435	3.81	7.2	1.80	435	386	3.38	7.0	2.00	479	351	3.07	6.9	2.20	557	301	2.64	6.7	2.60	639	263	2.30	6.4	3.00	754	223	1.95	6.2	3.20	860	195	1.71	6.0	3.40	1021	164	1.44	5.7	3.70	404	416	3.64	5.8	1.35	445	377	3.30	5.7	1.50	503	333	2.92	5.5	1.70	557	301	2.64	5.4	1.85	656	256	2.24	5.2	2.20	750	224	1.96	5.1	2.40	896	187	1.64	4.9	2.60	1035	162	1.42	4.7	2.70	533	315	2.76	2.9	1.20	593	283	2.48	3.2	1.35	684	245	2.15	3.4	1.50	762	220	1.93	3.6	1.55	919	183	1.60	3.6	1.65	1058	159	1.39	3.5	1.75	684	245	2.15	3.4	1.50	762	220	1.93	3.6	1.55	919	183	1.60	3.6	1.65	1058	159	1.39	3.5	1.75																																					
10	16541	144.87	128	2.10			12	14530	127.26	128	2.35			7.9	21368	187.15	114	0.80	GR167 GRF167	4P	9.7	17316	151.66	114	1.00			10	16008	140.20	114	1.05			12	14000	122.62	114	1.25			14	11974	104.87	114	1.40			16	10638	93.17	114	1.60			18	9509	83.28	114	1.80			20	8370	73.31	114	2.00			22	7739	67.78	114	2.20	25	6767			59.27	114	2.50	29	5788			50.69	114	2.80	33	5143	45.04	114	3.20	12	13612	119.22	54	0.90	GR147 GRF147	4P	14	12410	108.69	59	1.00			16	10821	94.77	62	1.15			18	9519	83.37	64	1.30			21	8092	70.87	66	1.50			22	7627	66.80	67	1.60			24	6953	60.90	67	1.75			28	6062	53.09	68	2.00			31	5333	46.71	69	2.30			37	4533	39.70			69	2.70	42	3993	34.97	69	3.00	49	3460	30.30	69	3.50	18	9292	81.38	37	0.80	GR137 GRF137	4P	20	8439	73.91	48	0.90			22	7488	65.58	51	1.00			25	6795	59.51	52	1.10			29	5840	51.15	54	1.30			33	5098	44.65	55	1.50			39	4324	37.87	56	1.75			44	3779	33.10	57	2.00		53	3196		27.99	57	2.30		49	3425		30.00			57	2.20	60	2784	24.38	57	2.80	GR137 GRF137	4P	66	2537	22.22	58	3.00			76	2213	19.38	58	3.50			86	1947	17.05	58	4.00	GR107 GRF107	4P	36	4609	40.37	19	0.90			42	4026	35.26	21	1.00			50	3367	29.49	20	1.20			59	2843	24.90	20	1.45			65	2583	22.62	20	1.60	73	2292	20.07	19	1.80	81	2079	18.21	19	1.95	94	1787	15.65	18	2.30	108	1560	13.66	18	2.60	127	1323	11.59	17	3.10	145	1157	10.13	16	3.50	187	897	7.86	15	3.10	221	760	6.66	15	3.70	73	2300	20.14	14	1.05	81	2083	18.24	14	1.15	91	1846	16.17	14	1.25	101	1669	14.62	13	1.30	119	1415	12.39	13	1.45	136	1237	10.83	13	1.60	158	1061	9.29	13	1.80	175	958	8.39	12	2.00	206	813	7.12	12	2.30	237	709	6.21	11	2.50	283	594	5.20	11	2.80	327	514	4.50	11	3.00	110	1528	13.38	10	0.80	123	1368	11.98	9.9	0.85	148	1135	9.94	9.7	1.00	161	1044	9.14	10	1.10	179	939	8.22	9.8	1.15	206	814	7.13	9.5	1.25	230	730	6.39	9.3	1.30	277	605	5.30	8.9	1.40	306	577	4.80	10	2.30	377	469	3.90	5.9	2.90	413	428	3.56	5.9	3.40	474	373	3.10	6.5	4.00	538	328	2.73	6.9	4.25	634	279	2.32	5.9	4.35	721	245	2.04	6.0	4.90	350	480	4.20	7.3	1.65	386	435	3.81	7.2	1.80	435	386	3.38	7.0	2.00	479	351	3.07	6.9	2.20	557	301	2.64	6.7	2.60	639	263	2.30	6.4	3.00	754	223	1.95	6.2	3.20	860	195	1.71	6.0	3.40	1021	164	1.44	5.7	3.70	404	416	3.64	5.8	1.35	445	377	3.30	5.7	1.50	503	333	2.92	5.5	1.70	557	301	2.64	5.4	1.85	656	256	2.24	5.2	2.20	750	224	1.96	5.1	2.40	896	187	1.64	4.9	2.60	1035	162	1.42	4.7	2.70	533	315	2.76	2.9	1.20	593	283	2.48	3.2	1.35	684	245	2.15	3.4	1.50	762	220	1.93	3.6	1.55	919	183	1.60	3.6	1.65	1058	159	1.39	3.5	1.75	684	245	2.15	3.4	1.50	762	220	1.93	3.6	1.55	919	183	1.60	3.6	1.65	1058	159	1.39	3.5	1.75																																												
12	14530	127.26	128	2.35			7.9	21368	187.15	114	0.80	GR167 GRF167	4P	9.7	17316	151.66	114	1.00			10	16008	140.20	114	1.05			12	14000	122.62	114	1.25			14	11974	104.87	114	1.40			16	10638	93.17	114	1.60			18	9509	83.28	114	1.80			20	8370	73.31	114	2.00			22	7739	67.78	114	2.20			25	6767	59.27	114	2.50	29	5788			50.69	114	2.80	33	5143	45.04	114	3.20	12	13612	119.22	54	0.90	GR147 GRF147	4P	14	12410	108.69	59	1.00			16	10821	94.77	62	1.15			18	9519	83.37	64	1.30			21	8092	70.87	66	1.50			22	7627	66.80	67	1.60			24	6953	60.90	67	1.75			28	6062	53.09	68	2.00			31	5333	46.71	69	2.30			37	4533	39.70	69	2.70			42	3993	34.97	69	3.00	49	3460	30.30	69	3.50	18	9292	81.38	37	0.80	GR137 GRF137	4P	20	8439	73.91	48	0.90			22	7488	65.58	51	1.00			25	6795	59.51	52	1.10			29	5840	51.15	54	1.30			33	5098	44.65	55	1.50			39	4324	37.87	56	1.75			44	3779	33.10	57	2.00			53	3196	27.99	57	2.30		49	3425		30.00	57	2.20		60	2784		24.38	57	2.80	GR137 GRF137	4P	66	2537	22.22	58	3.00			76	2213	19.38	58	3.50			86	1947	17.05	58	4.00	GR107 GRF107	4P	36	4609	40.37	19	0.90			42	4026	35.26	21	1.00			50	3367	29.49	20	1.20			59	2843	24.90	20	1.45			65	2583	22.62	20	1.60	73	2292	20.07	19	1.80	81	2079	18.21	19	1.95	94	1787	15.65	18	2.30	108	1560	13.66	18	2.60	127	1323	11.59	17	3.10	145	1157	10.13	16	3.50	187	897	7.86	15	3.10	221	760	6.66	15	3.70	73	2300	20.14	14	1.05	81	2083	18.24	14	1.15	91	1846	16.17	14	1.25	101	1669	14.62	13	1.30	119	1415	12.39	13	1.45	136	1237	10.83	13	1.60	158	1061	9.29	13	1.80	175	958	8.39	12	2.00	206	813	7.12	12	2.30	237	709	6.21	11	2.50	283	594	5.20	11	2.80	327	514	4.50	11	3.00	110	1528	13.38	10	0.80	123	1368	11.98	9.9	0.85	148	1135	9.94	9.7	1.00	161	1044	9.14	10	1.10	179	939	8.22	9.8	1.15	206	814	7.13	9.5	1.25	230	730	6.39	9.3	1.30	277	605	5.30	8.9	1.40	306	577	4.80	10	2.30	377	469	3.90	5.9	2.90	413	428	3.56	5.9	3.40	474	373	3.10	6.5	4.00	538	328	2.73	6.9	4.25	634	279	2.32	5.9	4.35	721	245	2.04	6.0	4.90	350	480	4.20	7.3	1.65	386	435	3.81	7.2	1.80	435	386	3.38	7.0	2.00	479	351	3.07	6.9	2.20	557	301	2.64	6.7	2.60	639	263	2.30	6.4	3.00	754	223	1.95	6.2	3.20	860	195	1.71	6.0	3.40	1021	164	1.44	5.7	3.70	404	416	3.64	5.8	1.35	445	377	3.30	5.7	1.50	503	333	2.92	5.5	1.70	557	301	2.64	5.4	1.85	656	256	2.24	5.2	2.20	750	224	1.96	5.1	2.40	896	187	1.64	4.9	2.60	1035	162	1.42	4.7	2.70	533	315	2.76	2.9	1.20	593	283	2.48	3.2	1.35	684	245	2.15	3.4	1.50	762	220	1.93	3.6	1.55	919	183	1.60	3.6	1.65	1058	159	1.39	3.5	1.75	684	245	2.15	3.4	1.50	762	220	1.93	3.6	1.55	919	183	1.60	3.6	1.65	1058	159	1.39	3.5	1.75																																																			
7.9	21368	187.15	114	0.80	GR167 GRF167	4P	9.7	17316	151.66	114	1.00			10	16008	140.20	114	1.05			12	14000	122.62	114	1.25			14	11974	104.87	114	1.40			16	10638	93.17	114	1.60			18	9509	83.28	114	1.80			20	8370	73.31	114	2.00			22	7739	67.78	114	2.20			25	6767	59.27	114	2.50			29	5788	50.69	114	2.80	33	5143	45.04	114	3.20	12	13612	119.22	54	0.90	GR147 GRF147	4P	14	12410	108.69	59	1.00			16	10821	94.77	62	1.15			18	9519	83.37	64	1.30			21	8092	70.87	66	1.50			22	7627	66.80	67	1.60			24	6953	60.90	67	1.75			28	6062	53.09	68	2.00			31	5333	46.71	69	2.30			37	4533	39.70	69	2.70			42	3993	34.97	69	3.00	49	3460	30.30	69	3.50	18	9292	81.38	37	0.80	GR137 GRF137	4P	20	8439	73.91	48	0.90			22	7488	65.58	51	1.00			25	6795	59.51	52	1.10			29	5840	51.15	54	1.30			33	5098	44.65	55	1.50			39	4324	37.87	56	1.75			44	3779	33.10	57	2.00			53	3196	27.99	57	2.30			49	3425	30.00	57	2.20		60	2784		24.38	57	2.80	GR137 GRF137	4P	66	2537	22.22	58	3.00			76	2213	19.38	58	3.50			86	1947	17.05	58	4.00	GR107 GRF107	4P	36	4609	40.37	19	0.90			42	4026	35.26	21	1.00			50	3367	29.49	20	1.20			59	2843	24.90	20	1.45			65	2583	22.62	20	1.60	73	2292	20.07	19	1.80	81	2079	18.21	19	1.95	94	1787	15.65	18	2.30	108	1560	13.66	18	2.60	127	1323	11.59	17	3.10	145	1157	10.13	16	3.50	187	897	7.86	15	3.10	221	760	6.66	15	3.70	73	2300	20.14	14	1.05	81	2083	18.24	14	1.15	91	1846	16.17	14	1.25	101	1669	14.62	13	1.30	119	1415	12.39	13	1.45	136	1237	10.83	13	1.60	158	1061	9.29	13	1.80	175	958	8.39	12	2.00	206	813	7.12	12	2.30	237	709	6.21	11	2.50	283	594	5.20	11	2.80	327	514	4.50	11	3.00	110	1528	13.38	10	0.80	123	1368	11.98	9.9	0.85	148	1135	9.94	9.7	1.00	161	1044	9.14	10	1.10	179	939	8.22	9.8	1.15	206	814	7.13	9.5	1.25	230	730	6.39	9.3	1.30	277	605	5.30	8.9	1.40	306	577	4.80	10	2.30	377	469	3.90	5.9	2.90	413	428	3.56	5.9	3.40	474	373	3.10	6.5	4.00	538	328	2.73	6.9	4.25	634	279	2.32	5.9	4.35	721	245	2.04	6.0	4.90	350	480	4.20	7.3	1.65	386	435	3.81	7.2	1.80	435	386	3.38	7.0	2.00	479	351	3.07	6.9	2.20	557	301	2.64	6.7	2.60	639	263	2.30	6.4	3.00	754	223	1.95	6.2	3.20	860	195	1.71	6.0	3.40	1021	164	1.44	5.7	3.70	404	416	3.64	5.8	1.35	445	377	3.30	5.7	1.50	503	333	2.92	5.5	1.70	557	301	2.64	5.4	1.85	656	256	2.24	5.2	2.20	750	224	1.96	5.1	2.40	896	187	1.64	4.9	2.60	1035	162	1.42	4.7	2.70	533	315	2.76	2.9	1.20	593	283	2.48	3.2	1.35	684	245	2.15	3.4	1.50	762	220	1.93	3.6	1.55	919	183	1.60	3.6	1.65	1058	159	1.39	3.5	1.75	684	245	2.15	3.4	1.50	762	220	1.93	3.6	1.55	919	183	1.60	3.6	1.65	1058	159	1.39	3.5	1.75																																																										
9.7	17316	151.66	114	1.00			10	16008	140.20	114	1.05			12	14000	122.62	114	1.25			14	11974	104.87	114	1.40			16	10638	93.17	114	1.60			18	9509	83.28	114	1.80			20	8370	73.31	114	2.00			22	7739	67.78	114	2.20			25	6767	59.27	114	2.50			29	5788	50.69	114	2.80	33	5143	45.04	114	3.20	12	13612	119.22	54	0.90	GR147 GRF147	4P	14	12410	108.69	59	1.00			16	10821	94.77	62	1.15			18	9519	83.37	64	1.30			21	8092	70.87	66	1.50			22	7627	66.80	67	1.60			24	6953	60.90	67	1.75			28	6062	53.09	68	2.00			31	5333	46.71	69	2.30			37	4533	39.70	69	2.70			42	3993	34.97	69	3.00	49	3460	30.30	69	3.50	18	9292	81.38	37	0.80	GR137 GRF137	4P	20	8439	73.91	48	0.90			22	7488	65.58	51	1.00			25	6795	59.51	52	1.10			29	5840	51.15	54	1.30			33	5098	44.65	55	1.50			39	4324	37.87	56	1.75			44	3779	33.10	57	2.00			53	3196	27.99	57	2.30			49	3425	30.00	57	2.20			60	2784	24.38	57	2.80	GR137 GRF137	4P	66	2537	22.22	58	3.00			76	2213	19.38	58	3.50			86	1947	17.05	58	4.00	GR107 GRF107	4P	36	4609	40.37	19	0.90			42	4026	35.26	21	1.00			50	3367	29.49	20	1.20			59	2843	24.90	20	1.45			65	2583	22.62	20	1.60	73	2292	20.07	19	1.80	81	2079	18.21	19	1.95	94	1787	15.65	18	2.30	108	1560	13.66	18	2.60	127	1323	11.59	17	3.10	145	1157	10.13	16	3.50	187	897	7.86	15	3.10	221	760	6.66	15	3.70	73	2300	20.14	14	1.05	81	2083	18.24	14	1.15	91	1846	16.17	14	1.25	101	1669	14.62	13	1.30	119	1415	12.39	13	1.45	136	1237	10.83	13	1.60	158	1061	9.29	13	1.80	175	958	8.39	12	2.00	206	813	7.12	12	2.30	237	709	6.21	11	2.50	283	594	5.20	11	2.80	327	514	4.50	11	3.00	110	1528	13.38	10	0.80	123	1368	11.98	9.9	0.85	148	1135	9.94	9.7	1.00	161	1044	9.14	10	1.10	179	939	8.22	9.8	1.15	206	814	7.13	9.5	1.25	230	730	6.39	9.3	1.30	277	605	5.30	8.9	1.40	306	577	4.80	10	2.30	377	469	3.90	5.9	2.90	413	428	3.56	5.9	3.40	474	373	3.10	6.5	4.00	538	328	2.73	6.9	4.25	634	279	2.32	5.9	4.35	721	245	2.04	6.0	4.90	350	480	4.20	7.3	1.65	386	435	3.81	7.2	1.80	435	386	3.38	7.0	2.00	479	351	3.07	6.9	2.20	557	301	2.64	6.7	2.60	639	263	2.30	6.4	3.00	754	223	1.95	6.2	3.20	860	195	1.71	6.0	3.40	1021	164	1.44	5.7	3.70	404	416	3.64	5.8	1.35	445	377	3.30	5.7	1.50	503	333	2.92	5.5	1.70	557	301	2.64	5.4	1.85	656	256	2.24	5.2	2.20	750	224	1.96	5.1	2.40	896	187	1.64	4.9	2.60	1035	162	1.42	4.7	2.70	533	315	2.76	2.9	1.20	593	283	2.48	3.2	1.35	684	245	2.15	3.4	1.50	762	220	1.93	3.6	1.55	919	183	1.60	3.6	1.65	1058	159	1.39	3.5	1.75	684	245	2.15	3.4	1.50	762	220	1.93	3.6	1.55	919	183	1.60	3.6	1.65	1058	159	1.39	3.5	1.75																																																																	
10	16008	140.20	114	1.05			12	14000	122.62	114	1.25			14	11974	104.87	114	1.40			16	10638	93.17	114	1.60			18	9509	83.28	114	1.80			20	8370	73.31	114	2.00			22	7739	67.78	114	2.20			25	6767	59.27	114	2.50			29	5788	50.69	114	2.80	33	5143	45.04	114	3.20	12	13612	119.22	54	0.90	GR147 GRF147	4P	14	12410	108.69	59	1.00			16	10821	94.77	62	1.15			18	9519	83.37	64	1.30			21	8092	70.87	66	1.50			22	7627	66.80	67	1.60			24	6953	60.90	67	1.75			28	6062	53.09	68	2.00			31	5333	46.71	69	2.30			37	4533	39.70	69	2.70			42	3993	34.97	69	3.00	49	3460	30.30	69	3.50	18	9292	81.38	37	0.80	GR137 GRF137	4P	20	8439	73.91	48	0.90			22	7488	65.58	51	1.00			25	6795	59.51	52	1.10			29	5840	51.15	54	1.30			33	5098	44.65	55	1.50			39	4324	37.87	56	1.75			44	3779	33.10	57	2.00			53	3196	27.99	57	2.30			49	3425	30.00	57	2.20			60	2784	24.38	57	2.80	GR137 GRF137	4P	66	2537	22.22	58	3.00			76	2213	19.38	58	3.50			86	1947	17.05	58	4.00	GR107 GRF107	4P	36	4609	40.37	19	0.90			42	4026	35.26	21	1.00			50	3367	29.49	20	1.20			59	2843	24.90	20	1.45			65	2583	22.62	20	1.60	73	2292	20.07	19	1.80	81	2079	18.21	19	1.95	94	1787	15.65	18	2.30	108	1560	13.66	18	2.60	127	1323	11.59	17	3.10	145	1157	10.13	16	3.50	187	897	7.86	15	3.10	221	760	6.66	15	3.70	73	2300	20.14	14	1.05	81	2083	18.24	14	1.15	91	1846	16.17	14	1.25	101	1669	14.62	13	1.30	119	1415	12.39	13	1.45	136	1237	10.83	13	1.60	158	1061	9.29	13	1.80	175	958	8.39	12	2.00	206	813	7.12	12	2.30	237	709	6.21	11	2.50	283	594	5.20	11	2.80	327	514	4.50	11	3.00	110	1528	13.38	10	0.80	123	1368	11.98	9.9	0.85	148	1135	9.94	9.7	1.00	161	1044	9.14	10	1.10	179	939	8.22	9.8	1.15	206	814	7.13	9.5	1.25	230	730	6.39	9.3	1.30	277	605	5.30	8.9	1.40	306	577	4.80	10	2.30	377	469	3.90	5.9	2.90	413	428	3.56	5.9	3.40	474	373	3.10	6.5	4.00	538	328	2.73	6.9	4.25	634	279	2.32	5.9	4.35	721	245	2.04	6.0	4.90	350	480	4.20	7.3	1.65	386	435	3.81	7.2	1.80	435	386	3.38	7.0	2.00	479	351	3.07	6.9	2.20	557	301	2.64	6.7	2.60	639	263	2.30	6.4	3.00	754	223	1.95	6.2	3.20	860	195	1.71	6.0	3.40	1021	164	1.44	5.7	3.70	404	416	3.64	5.8	1.35	445	377	3.30	5.7	1.50	503	333	2.92	5.5	1.70	557	301	2.64	5.4	1.85	656	256	2.24	5.2	2.20	750	224	1.96	5.1	2.40	896	187	1.64	4.9	2.60	1035	162	1.42	4.7	2.70	533	315	2.76	2.9	1.20	593	283	2.48	3.2	1.35	684	245	2.15	3.4	1.50	762	220	1.93	3.6	1.55	919	183	1.60	3.6	1.65	1058	159	1.39	3.5	1.75	684	245	2.15	3.4	1.50	762	220	1.93	3.6	1.55	919	183	1.60	3.6	1.65	1058	159	1.39	3.5	1.75																																																																								
12	14000	122.62	114	1.25			14	11974	104.87	114	1.40			16	10638	93.17	114	1.60			18	9509	83.28	114	1.80			20	8370	73.31	114	2.00			22	7739	67.78	114	2.20			25	6767	59.27	114	2.50			29	5788	50.69	114	2.80	33	5143	45.04	114	3.20	12	13612	119.22	54	0.90	GR147 GRF147	4P	14	12410	108.69	59	1.00			16	10821	94.77	62	1.15			18	9519	83.37	64	1.30			21	8092	70.87	66	1.50			22	7627	66.80	67	1.60			24	6953	60.90	67	1.75			28	6062	53.09	68	2.00			31	5333	46.71	69	2.30			37	4533	39.70	69	2.70			42	3993	34.97	69	3.00	49	3460	30.30	69	3.50	18	9292	81.38	37	0.80	GR137 GRF137	4P	20	8439	73.91	48	0.90			22	7488	65.58	51	1.00			25	6795	59.51	52	1.10			29	5840	51.15	54	1.30			33	5098	44.65	55	1.50			39	4324	37.87	56	1.75			44	3779	33.10	57	2.00			53	3196	27.99	57	2.30			49	3425	30.00	57	2.20			60	2784	24.38	57	2.80	GR137 GRF137	4P	66	2537	22.22	58	3.00			76	2213	19.38	58	3.50			86	1947	17.05	58	4.00	GR107 GRF107	4P	36	4609	40.37	19	0.90			42	4026	35.26	21	1.00			50	3367	29.49	20	1.20			59	2843	24.90	20	1.45			65	2583	22.62	20	1.60	73	2292	20.07	19	1.80	81	2079	18.21	19	1.95	94	1787	15.65	18	2.30	108	1560	13.66	18	2.60	127	1323	11.59	17	3.10	145	1157	10.13	16	3.50	187	897	7.86	15	3.10	221	760	6.66	15	3.70	73	2300	20.14	14	1.05	81	2083	18.24	14	1.15	91	1846	16.17	14	1.25	101	1669	14.62	13	1.30	119	1415	12.39	13	1.45	136	1237	10.83	13	1.60	158	1061	9.29	13	1.80	175	958	8.39	12	2.00	206	813	7.12	12	2.30	237	709	6.21	11	2.50	283	594	5.20	11	2.80	327	514	4.50	11	3.00	110	1528	13.38	10	0.80	123	1368	11.98	9.9	0.85	148	1135	9.94	9.7	1.00	161	1044	9.14	10	1.10	179	939	8.22	9.8	1.15	206	814	7.13	9.5	1.25	230	730	6.39	9.3	1.30	277	605	5.30	8.9	1.40	306	577	4.80	10	2.30	377	469	3.90	5.9	2.90	413	428	3.56	5.9	3.40	474	373	3.10	6.5	4.00	538	328	2.73	6.9	4.25	634	279	2.32	5.9	4.35	721	245	2.04	6.0	4.90	350	480	4.20	7.3	1.65	386	435	3.81	7.2	1.80	435	386	3.38	7.0	2.00	479	351	3.07	6.9	2.20	557	301	2.64	6.7	2.60	639	263	2.30	6.4	3.00	754	223	1.95	6.2	3.20	860	195	1.71	6.0	3.40	1021	164	1.44	5.7	3.70	404	416	3.64	5.8	1.35	445	377	3.30	5.7	1.50	503	333	2.92	5.5	1.70	557	301	2.64	5.4	1.85	656	256	2.24	5.2	2.20	750	224	1.96	5.1	2.40	896	187	1.64	4.9	2.60	1035	162	1.42	4.7	2.70	533	315	2.76	2.9	1.20	593	283	2.48	3.2	1.35	684	245	2.15	3.4	1.50	762	220	1.93	3.6	1.55	919	183	1.60	3.6	1.65	1058	159	1.39	3.5	1.75	684	245	2.15	3.4	1.50	762	220	1.93	3.6	1.55	919	183	1.60	3.6	1.65	1058	159	1.39	3.5	1.75																																																																															
14	11974	104.87	114	1.40			16	10638	93.17	114	1.60			18	9509	83.28	114	1.80			20	8370	73.31	114	2.00			22	7739	67.78	114	2.20			25	6767	59.27	114	2.50			29	5788	50.69	114	2.80	33	5143	45.04	114	3.20	12	13612	119.22	54	0.90	GR147 GRF147	4P	14	12410	108.69	59	1.00			16	10821	94.77	62	1.15			18	9519	83.37	64	1.30			21	8092	70.87	66	1.50			22	7627	66.80	67	1.60			24	6953	60.90	67	1.75			28	6062	53.09	68	2.00			31	5333	46.71	69	2.30			37	4533	39.70	69	2.70			42	3993	34.97	69	3.00	49	3460	30.30	69	3.50	18	9292	81.38	37	0.80	GR137 GRF137	4P	20	8439	73.91	48	0.90			22	7488	65.58	51	1.00			25	6795	59.51	52	1.10			29	5840	51.15	54	1.30			33	5098	44.65	55	1.50			39	4324	37.87	56	1.75			44	3779	33.10	57	2.00			53	3196	27.99	57	2.30			49	3425	30.00	57	2.20			60	2784	24.38	57	2.80	GR137 GRF137	4P	66	2537	22.22	58	3.00			76	2213	19.38	58	3.50			86	1947	17.05	58	4.00	GR107 GRF107	4P	36	4609	40.37	19	0.90			42	4026	35.26	21	1.00			50	3367	29.49	20	1.20			59	2843	24.90	20	1.45			65	2583	22.62	20	1.60	73	2292	20.07	19	1.80	81	2079	18.21	19	1.95	94	1787	15.65	18	2.30	108	1560	13.66	18	2.60	127	1323	11.59	17	3.10	145	1157	10.13	16	3.50	187	897	7.86	15	3.10	221	760	6.66	15	3.70	73	2300	20.14	14	1.05	81	2083	18.24	14	1.15	91	1846	16.17	14	1.25	101	1669	14.62	13	1.30	119	1415	12.39	13	1.45	136	1237	10.83	13	1.60	158	1061	9.29	13	1.80	175	958	8.39	12	2.00	206	813	7.12	12	2.30	237	709	6.21	11	2.50	283	594	5.20	11	2.80	327	514	4.50	11	3.00	110	1528	13.38	10	0.80	123	1368	11.98	9.9	0.85	148	1135	9.94	9.7	1.00	161	1044	9.14	10	1.10	179	939	8.22	9.8	1.15	206	814	7.13	9.5	1.25	230	730	6.39	9.3	1.30	277	605	5.30	8.9	1.40	306	577	4.80	10	2.30	377	469	3.90	5.9	2.90	413	428	3.56	5.9	3.40	474	373	3.10	6.5	4.00	538	328	2.73	6.9	4.25	634	279	2.32	5.9	4.35	721	245	2.04	6.0	4.90	350	480	4.20	7.3	1.65	386	435	3.81	7.2	1.80	435	386	3.38	7.0	2.00	479	351	3.07	6.9	2.20	557	301	2.64	6.7	2.60	639	263	2.30	6.4	3.00	754	223	1.95	6.2	3.20	860	195	1.71	6.0	3.40	1021	164	1.44	5.7	3.70	404	416	3.64	5.8	1.35	445	377	3.30	5.7	1.50	503	333	2.92	5.5	1.70	557	301	2.64	5.4	1.85	656	256	2.24	5.2	2.20	750	224	1.96	5.1	2.40	896	187	1.64	4.9	2.60	1035	162	1.42	4.7	2.70	533	315	2.76	2.9	1.20	593	283	2.48	3.2	1.35	684	245	2.15	3.4	1.50	762	220	1.93	3.6	1.55	919	183	1.60	3.6	1.65	1058	159	1.39	3.5	1.75	684	245	2.15	3.4	1.50	762	220	1.93	3.6	1.55	919	183	1.60	3.6	1.65	1058	159	1.39	3.5	1.75																																																																																						
16	10638	93.17	114	1.60			18	9509	83.28	114	1.80			20	8370	73.31	114	2.00			22	7739	67.78	114	2.20			25	6767	59.27	114	2.50			29	5788	50.69	114	2.80	33	5143	45.04	114	3.20	12	13612	119.22	54	0.90	GR147 GRF147	4P	14	12410	108.69	59	1.00			16	10821	94.77	62	1.15			18	9519	83.37	64	1.30			21	8092	70.87	66	1.50			22	7627	66.80	67	1.60			24	6953	60.90	67	1.75			28	6062	53.09	68	2.00			31	5333	46.71	69	2.30			37	4533	39.70	69	2.70			42	3993	34.97	69	3.00	49	3460	30.30	69	3.50	18	9292	81.38	37	0.80	GR137 GRF137	4P	20	8439	73.91	48	0.90			22	7488	65.58	51	1.00			25	6795	59.51	52	1.10			29	5840	51.15	54	1.30			33	5098	44.65	55	1.50			39	4324	37.87	56	1.75			44	3779	33.10	57	2.00			53	3196	27.99	57	2.30			49	3425	30.00	57	2.20			60	2784	24.38	57	2.80	GR137 GRF137	4P	66	2537	22.22	58	3.00			76	2213	19.38	58	3.50			86	1947	17.05	58	4.00	GR107 GRF107	4P	36	4609	40.37	19	0.90			42	4026	35.26	21	1.00			50	3367	29.49	20	1.20			59	2843	24.90	20	1.45			65	2583	22.62	20	1.60	73	2292	20.07	19	1.80	81	2079	18.21	19	1.95	94	1787	15.65	18	2.30	108	1560	13.66	18	2.60	127	1323	11.59	17	3.10	145	1157	10.13	16	3.50	187	897	7.86	15	3.10	221	760	6.66	15	3.70	73	2300	20.14	14	1.05	81	2083	18.24	14	1.15	91	1846	16.17	14	1.25	101	1669	14.62	13	1.30	119	1415	12.39	13	1.45	136	1237	10.83	13	1.60	158	1061	9.29	13	1.80	175	958	8.39	12	2.00	206	813	7.12	12	2.30	237	709	6.21	11	2.50	283	594	5.20	11	2.80	327	514	4.50	11	3.00	110	1528	13.38	10	0.80	123	1368	11.98	9.9	0.85	148	1135	9.94	9.7	1.00	161	1044	9.14	10	1.10	179	939	8.22	9.8	1.15	206	814	7.13	9.5	1.25	230	730	6.39	9.3	1.30	277	605	5.30	8.9	1.40	306	577	4.80	10	2.30	377	469	3.90	5.9	2.90	413	428	3.56	5.9	3.40	474	373	3.10	6.5	4.00	538	328	2.73	6.9	4.25	634	279	2.32	5.9	4.35	721	245	2.04	6.0	4.90	350	480	4.20	7.3	1.65	386	435	3.81	7.2	1.80	435	386	3.38	7.0	2.00	479	351	3.07	6.9	2.20	557	301	2.64	6.7	2.60	639	263	2.30	6.4	3.00	754	223	1.95	6.2	3.20	860	195	1.71	6.0	3.40	1021	164	1.44	5.7	3.70	404	416	3.64	5.8	1.35	445	377	3.30	5.7	1.50	503	333	2.92	5.5	1.70	557	301	2.64	5.4	1.85	656	256	2.24	5.2	2.20	750	224	1.96	5.1	2.40	896	187	1.64	4.9	2.60	1035	162	1.42	4.7	2.70	533	315	2.76	2.9	1.20	593	283	2.48	3.2	1.35	684	245	2.15	3.4	1.50	762	220	1.93	3.6	1.55	919	183	1.60	3.6	1.65	1058	159	1.39	3.5	1.75	684	245	2.15	3.4	1.50	762	220	1.93	3.6	1.55	919	183	1.60	3.6	1.65	1058	159	1.39	3.5	1.75																																																																																													
18	9509	83.28	114	1.80			20	8370	73.31	114	2.00			22	7739	67.78	114	2.20			25	6767	59.27	114	2.50			29	5788	50.69	114	2.80	33	5143	45.04	114	3.20	12	13612	119.22	54	0.90	GR147 GRF147	4P	14	12410	108.69	59	1.00			16	10821	94.77	62	1.15			18	9519	83.37	64	1.30			21	8092	70.87	66	1.50			22	7627	66.80	67	1.60			24	6953	60.90	67	1.75			28	6062	53.09	68	2.00			31	5333	46.71	69	2.30			37	4533	39.70	69	2.70			42	3993	34.97	69	3.00	49	3460	30.30	69	3.50	18	9292	81.38	37	0.80	GR137 GRF137	4P	20	8439	73.91	48	0.90			22	7488	65.58	51	1.00			25	6795	59.51	52	1.10			29	5840	51.15	54	1.30			33	5098	44.65	55	1.50			39	4324	37.87	56	1.75			44	3779	33.10	57	2.00			53	3196	27.99	57	2.30			49	3425	30.00	57	2.20			60	2784	24.38	57	2.80	GR137 GRF137	4P	66	2537	22.22	58	3.00			76	2213	19.38	58	3.50			86	1947	17.05	58	4.00	GR107 GRF107	4P	36	4609	40.37	19	0.90			42	4026	35.26	21	1.00			50	3367	29.49	20	1.20			59	2843	24.90	20	1.45			65	2583	22.62	20	1.60	73	2292	20.07	19	1.80	81	2079	18.21	19	1.95	94	1787	15.65	18	2.30	108	1560	13.66	18	2.60	127	1323	11.59	17	3.10	145	1157	10.13	16	3.50	187	897	7.86	15	3.10	221	760	6.66	15	3.70	73	2300	20.14	14	1.05	81	2083	18.24	14	1.15	91	1846	16.17	14	1.25	101	1669	14.62	13	1.30	119	1415	12.39	13	1.45	136	1237	10.83	13	1.60	158	1061	9.29	13	1.80	175	958	8.39	12	2.00	206	813	7.12	12	2.30	237	709	6.21	11	2.50	283	594	5.20	11	2.80	327	514	4.50	11	3.00	110	1528	13.38	10	0.80	123	1368	11.98	9.9	0.85	148	1135	9.94	9.7	1.00	161	1044	9.14	10	1.10	179	939	8.22	9.8	1.15	206	814	7.13	9.5	1.25	230	730	6.39	9.3	1.30	277	605	5.30	8.9	1.40	306	577	4.80	10	2.30	377	469	3.90	5.9	2.90	413	428	3.56	5.9	3.40	474	373	3.10	6.5	4.00	538	328	2.73	6.9	4.25	634	279	2.32	5.9	4.35	721	245	2.04	6.0	4.90	350	480	4.20	7.3	1.65	386	435	3.81	7.2	1.80	435	386	3.38	7.0	2.00	479	351	3.07	6.9	2.20	557	301	2.64	6.7	2.60	639	263	2.30	6.4	3.00	754	223	1.95	6.2	3.20	860	195	1.71	6.0	3.40	1021	164	1.44	5.7	3.70	404	416	3.64	5.8	1.35	445	377	3.30	5.7	1.50	503	333	2.92	5.5	1.70	557	301	2.64	5.4	1.85	656	256	2.24	5.2	2.20	750	224	1.96	5.1	2.40	896	187	1.64	4.9	2.60	1035	162	1.42	4.7	2.70	533	315	2.76	2.9	1.20	593	283	2.48	3.2	1.35	684	245	2.15	3.4	1.50	762	220	1.93	3.6	1.55	919	183	1.60	3.6	1.65	1058	159	1.39	3.5	1.75	684	245	2.15	3.4	1.50	762	220	1.93	3.6	1.55	919	183	1.60	3.6	1.65	1058	159	1.39	3.5	1.75																																																																																																				
20	8370	73.31	114	2.00			22	7739	67.78	114	2.20			25	6767	59.27	114	2.50			29	5788	50.69	114	2.80	33	5143	45.04	114	3.20	12	13612	119.22	54	0.90	GR147 GRF147	4P	14	12410	108.69	59	1.00			16	10821	94.77	62	1.15			18	9519	83.37	64	1.30			21	8092	70.87	66	1.50			22	7627	66.80	67	1.60			24	6953	60.90	67	1.75			28	6062	53.09	68	2.00			31	5333	46.71	69	2.30			37	4533	39.70	69	2.70			42	3993	34.97	69	3.00	49	3460	30.30	69	3.50	18	9292	81.38	37	0.80	GR137 GRF137	4P	20	8439	73.91	48	0.90			22	7488	65.58	51	1.00			25	6795	59.51	52	1.10			29	5840	51.15	54	1.30			33	5098	44.65	55	1.50			39	4324	37.87	56	1.75			44	3779	33.10	57	2.00			53	3196	27.99	57	2.30			49	3425	30.00	57	2.20			60	2784	24.38	57	2.80	GR137 GRF137	4P	66	2537	22.22	58	3.00			76	2213	19.38	58	3.50			86	1947	17.05	58	4.00	GR107 GRF107	4P	36	4609	40.37	19	0.90			42	4026	35.26	21	1.00			50	3367	29.49	20	1.20			59	2843	24.90	20	1.45			65	2583	22.62	20	1.60	73	2292	20.07	19	1.80	81	2079	18.21	19	1.95	94	1787	15.65	18	2.30	108	1560	13.66	18	2.60	127	1323	11.59	17	3.10	145	1157	10.13	16	3.50	187	897	7.86	15	3.10	221	760	6.66	15	3.70	73	2300	20.14	14	1.05	81	2083	18.24	14	1.15	91	1846	16.17	14	1.25	101	1669	14.62	13	1.30	119	1415	12.39	13	1.45	136	1237	10.83	13	1.60	158	1061	9.29	13	1.80	175	958	8.39	12	2.00	206	813	7.12	12	2.30	237	709	6.21	11	2.50	283	594	5.20	11	2.80	327	514	4.50	11	3.00	110	1528	13.38	10	0.80	123	1368	11.98	9.9	0.85	148	1135	9.94	9.7	1.00	161	1044	9.14	10	1.10	179	939	8.22	9.8	1.15	206	814	7.13	9.5	1.25	230	730	6.39	9.3	1.30	277	605	5.30	8.9	1.40	306	577	4.80	10	2.30	377	469	3.90	5.9	2.90	413	428	3.56	5.9	3.40	474	373	3.10	6.5	4.00	538	328	2.73	6.9	4.25	634	279	2.32	5.9	4.35	721	245	2.04	6.0	4.90	350	480	4.20	7.3	1.65	386	435	3.81	7.2	1.80	435	386	3.38	7.0	2.00	479	351	3.07	6.9	2.20	557	301	2.64	6.7	2.60	639	263	2.30	6.4	3.00	754	223	1.95	6.2	3.20	860	195	1.71	6.0	3.40	1021	164	1.44	5.7	3.70	404	416	3.64	5.8	1.35	445	377	3.30	5.7	1.50	503	333	2.92	5.5	1.70	557	301	2.64	5.4	1.85	656	256	2.24	5.2	2.20	750	224	1.96	5.1	2.40	896	187	1.64	4.9	2.60	1035	162	1.42	4.7	2.70	533	315	2.76	2.9	1.20	593	283	2.48	3.2	1.35	684	245	2.15	3.4	1.50	762	220	1.93	3.6	1.55	919	183	1.60	3.6	1.65	1058	159	1.39	3.5	1.75	684	245	2.15	3.4	1.50	762	220	1.93	3.6	1.55	919	183	1.60	3.6	1.65	1058	159	1.39	3.5	1.75																																																																																																											
22	7739	67.78	114	2.20			25	6767	59.27	114	2.50			29	5788	50.69	114	2.80	33	5143	45.04	114	3.20	12	13612	119.22	54	0.90	GR147 GRF147	4P	14	12410	108.69	59	1.00			16	10821	94.77	62	1.15			18	9519	83.37	64	1.30			21	8092	70.87	66	1.50			22	7627	66.80	67	1.60			24	6953	60.90	67	1.75			28	6062	53.09	68	2.00			31	5333	46.71	69	2.30			37	4533	39.70	69	2.70			42	3993	34.97	69	3.00	49	3460	30.30	69	3.50	18	9292	81.38	37	0.80	GR137 GRF137	4P	20	8439	73.91	48	0.90			22	7488	65.58	51	1.00			25	6795	59.51	52	1.10			29	5840	51.15	54	1.30			33	5098	44.65	55	1.50			39	4324	37.87	56	1.75			44	3779	33.10	57	2.00			53	3196	27.99	57	2.30			49	3425	30.00	57	2.20			60	2784	24.38	57	2.80	GR137 GRF137	4P	66	2537	22.22	58	3.00			76	2213	19.38	58	3.50			86	1947	17.05	58	4.00	GR107 GRF107	4P	36	4609	40.37	19	0.90			42	4026	35.26	21	1.00			50	3367	29.49	20	1.20			59	2843	24.90	20	1.45			65	2583	22.62	20	1.60	73	2292	20.07	19	1.80	81	2079	18.21	19	1.95	94	1787	15.65	18	2.30	108	1560	13.66	18	2.60	127	1323	11.59	17	3.10	145	1157	10.13	16	3.50	187	897	7.86	15	3.10	221	760	6.66	15	3.70	73	2300	20.14	14	1.05	81	2083	18.24	14	1.15	91	1846	16.17	14	1.25	101	1669	14.62	13	1.30	119	1415	12.39	13	1.45	136	1237	10.83	13	1.60	158	1061	9.29	13	1.80	175	958	8.39	12	2.00	206	813	7.12	12	2.30	237	709	6.21	11	2.50	283	594	5.20	11	2.80	327	514	4.50	11	3.00	110	1528	13.38	10	0.80	123	1368	11.98	9.9	0.85	148	1135	9.94	9.7	1.00	161	1044	9.14	10	1.10	179	939	8.22	9.8	1.15	206	814	7.13	9.5	1.25	230	730	6.39	9.3	1.30	277	605	5.30	8.9	1.40	306	577	4.80	10	2.30	377	469	3.90	5.9	2.90	413	428	3.56	5.9	3.40	474	373	3.10	6.5	4.00	538	328	2.73	6.9	4.25	634	279	2.32	5.9	4.35	721	245	2.04	6.0	4.90	350	480	4.20	7.3	1.65	386	435	3.81	7.2	1.80	435	386	3.38	7.0	2.00	479	351	3.07	6.9	2.20	557	301	2.64	6.7	2.60	639	263	2.30	6.4	3.00	754	223	1.95	6.2	3.20	860	195	1.71	6.0	3.40	1021	164	1.44	5.7	3.70	404	416	3.64	5.8	1.35	445	377	3.30	5.7	1.50	503	333	2.92	5.5	1.70	557	301	2.64	5.4	1.85	656	256	2.24	5.2	2.20	750	224	1.96	5.1	2.40	896	187	1.64	4.9	2.60	1035	162	1.42	4.7	2.70	533	315	2.76	2.9	1.20	593	283	2.48	3.2	1.35	684	245	2.15	3.4	1.50	762	220	1.93	3.6	1.55	919	183	1.60	3.6	1.65	1058	159	1.39	3.5	1.75	684	245	2.15	3.4	1.50	762	220	1.93	3.6	1.55	919	183	1.60	3.6	1.65	1058	159	1.39	3.5	1.75																																																																																																																		
25	6767	59.27	114	2.50			29	5788	50.69	114	2.80	33	5143	45.04	114	3.20	12	13612	119.22	54	0.90	GR147 GRF147	4P	14	12410	108.69	59	1.00			16	10821	94.77	62	1.15			18	9519	83.37	64	1.30			21	8092	70.87	66	1.50			22	7627	66.80	67	1.60			24	6953	60.90	67	1.75			28	6062	53.09	68	2.00			31	5333	46.71	69	2.30			37	4533	39.70	69	2.70			42	3993	34.97	69	3.00	49	3460	30.30	69	3.50	18	9292	81.38	37	0.80	GR137 GRF137	4P	20	8439	73.91	48	0.90			22	7488	65.58	51	1.00			25	6795	59.51	52	1.10			29	5840	51.15	54	1.30			33	5098	44.65	55	1.50			39	4324	37.87	56	1.75			44	3779	33.10	57	2.00			53	3196	27.99	57	2.30			49	3425	30.00	57	2.20			60	2784	24.38	57	2.80	GR137 GRF137	4P	66	2537	22.22	58	3.00			76	2213	19.38	58	3.50			86	1947	17.05	58	4.00	GR107 GRF107	4P	36	4609	40.37	19	0.90			42	4026	35.26	21	1.00			50	3367	29.49	20	1.20			59	2843	24.90	20	1.45			65	2583	22.62	20	1.60	73	2292	20.07	19	1.80	81	2079	18.21	19	1.95	94	1787	15.65	18	2.30	108	1560	13.66	18	2.60	127	1323	11.59	17	3.10	145	1157	10.13	16	3.50	187	897	7.86	15	3.10	221	760	6.66	15	3.70	73	2300	20.14	14	1.05	81	2083	18.24	14	1.15	91	1846	16.17	14	1.25	101	1669	14.62	13	1.30	119	1415	12.39	13	1.45	136	1237	10.83	13	1.60	158	1061	9.29	13	1.80	175	958	8.39	12	2.00	206	813	7.12	12	2.30	237	709	6.21	11	2.50	283	594	5.20	11	2.80	327	514	4.50	11	3.00	110	1528	13.38	10	0.80	123	1368	11.98	9.9	0.85	148	1135	9.94	9.7	1.00	161	1044	9.14	10	1.10	179	939	8.22	9.8	1.15	206	814	7.13	9.5	1.25	230	730	6.39	9.3	1.30	277	605	5.30	8.9	1.40	306	577	4.80	10	2.30	377	469	3.90	5.9	2.90	413	428	3.56	5.9	3.40	474	373	3.10	6.5	4.00	538	328	2.73	6.9	4.25	634	279	2.32	5.9	4.35	721	245	2.04	6.0	4.90	350	480	4.20	7.3	1.65	386	435	3.81	7.2	1.80	435	386	3.38	7.0	2.00	479	351	3.07	6.9	2.20	557	301	2.64	6.7	2.60	639	263	2.30	6.4	3.00	754	223	1.95	6.2	3.20	860	195	1.71	6.0	3.40	1021	164	1.44	5.7	3.70	404	416	3.64	5.8	1.35	445	377	3.30	5.7	1.50	503	333	2.92	5.5	1.70	557	301	2.64	5.4	1.85	656	256	2.24	5.2	2.20	750	224	1.96	5.1	2.40	896	187	1.64	4.9	2.60	1035	162	1.42	4.7	2.70	533	315	2.76	2.9	1.20	593	283	2.48	3.2	1.35	684	245	2.15	3.4	1.50	762	220	1.93	3.6	1.55	919	183	1.60	3.6	1.65	1058	159	1.39	3.5	1.75	684	245	2.15	3.4	1.50	762	220	1.93	3.6	1.55	919	183	1.60	3.6	1.65	1058	159	1.39	3.5	1.75																																																																																																																									
29	5788	50.69	114	2.80	33	5143	45.04	114	3.20	12	13612	119.22	54	0.90	GR147 GRF147	4P	14	12410	108.69	59	1.00			16	10821	94.77	62	1.15			18	9519	83.37	64	1.30			21	8092	70.87	66	1.50			22	7627	66.80	67	1.60			24	6953	60.90	67	1.75			28	6062	53.09	68	2.00			31	5333	46.71	69	2.30			37	4533	39.70	69	2.70			42	3993	34.97	69	3.00	49	3460	30.30	69	3.50	18	9292	81.38	37	0.80	GR137 GRF137	4P	20	8439	73.91	48	0.90			22	7488	65.58	51	1.00			25	6795	59.51	52	1.10			29	5840	51.15	54	1.30			33	5098	44.65	55	1.50			39	4324	37.87	56	1.75			44	3779	33.10	57	2.00			53	3196	27.99	57	2.30			49	3425	30.00	57	2.20			60	2784	24.38	57	2.80	GR137 GRF137	4P	66	2537	22.22	58	3.00			76	2213	19.38	58	3.50			86	1947	17.05	58	4.00	GR107 GRF107	4P	36	4609	40.37	19	0.90			42	4026	35.26	21	1.00			50	3367	29.49	20	1.20			59	2843	24.90	20	1.45			65	2583	22.62	20	1.60	73	2292	20.07	19	1.80	81	2079	18.21	19	1.95	94	1787	15.65	18	2.30	108	1560	13.66	18	2.60	127	1323	11.59	17	3.10	145	1157	10.13	16	3.50	187	897	7.86	15	3.10	221	760	6.66	15	3.70	73	2300	20.14	14	1.05	81	2083	18.24	14	1.15	91	1846	16.17	14	1.25	101	1669	14.62	13	1.30	119	1415	12.39	13	1.45	136	1237	10.83	13	1.60	158	1061	9.29	13	1.80	175	958	8.39	12	2.00	206	813	7.12	12	2.30	237	709	6.21	11	2.50	283	594	5.20	11	2.80	327	514	4.50	11	3.00	110	1528	13.38	10	0.80	123	1368	11.98	9.9	0.85	148	1135	9.94	9.7	1.00	161	1044	9.14	10	1.10	179	939	8.22	9.8	1.15	206	814	7.13	9.5	1.25	230	730	6.39	9.3	1.30	277	605	5.30	8.9	1.40	306	577	4.80	10	2.30	377	469	3.90	5.9	2.90	413	428	3.56	5.9	3.40	474	373	3.10	6.5	4.00	538	328	2.73	6.9	4.25	634	279	2.32	5.9	4.35	721	245	2.04	6.0	4.90	350	480	4.20	7.3	1.65	386	435	3.81	7.2	1.80	435	386	3.38	7.0	2.00	479	351	3.07	6.9	2.20	557	301	2.64	6.7	2.60	639	263	2.30	6.4	3.00	754	223	1.95	6.2	3.20	860	195	1.71	6.0	3.40	1021	164	1.44	5.7	3.70	404	416	3.64	5.8	1.35	445	377	3.30	5.7	1.50	503	333	2.92	5.5	1.70	557	301	2.64	5.4	1.85	656	256	2.24	5.2	2.20	750	224	1.96	5.1	2.40	896	187	1.64	4.9	2.60	1035	162	1.42	4.7	2.70	533	315	2.76	2.9	1.20	593	283	2.48	3.2	1.35	684	245	2.15	3.4	1.50	762	220	1.93	3.6	1.55	919	183	1.60	3.6	1.65	1058	159	1.39	3.5	1.75	684	245	2.15	3.4	1.50	762	220	1.93	3.6	1.55	919	183	1.60	3.6	1.65	1058	159	1.39	3.5	1.75																																																																																																																																
33	5143	45.04	114	3.20	12	13612	119.22	54	0.90	GR147 GRF147	4P	14	12410	108.69			59	1.00	16	10821	94.77			62	1.15	18	9519	83.37			64	1.30	21	8092	70.87			66	1.50	22	7627	66.80			67	1.60	24	6953	60.90			67	1.75	28	6062	53.09			68	2.00	31	5333	46.71			69	2.30	37	4533	39.70			69	2.70	42	3993	34.97	69	3.00	49	3460	30.30	69	3.50	18	9292	81.38	37	0.80	GR137 GRF137	4P	20	8439	73.91			48	0.90	22	7488	65.58			51	1.00	25	6795	59.51			52	1.10	29	5840	51.15			54	1.30	33	5098	44.65			55	1.50	39	4324	37.87			56	1.75	44	3779	33.10			57	2.00	53	3196	27.99			57	2.30	49	3425	30.00			57	2.20	60	2784	24.38	57	2.80	GR137 GRF137	4P	66	2537	22.22			58	3.00	76	2213	19.38			58	3.50	86	1947	17.05	58	4.00	GR107 GRF107	4P	36	4609	40.37			19	0.90	42	4026	35.26			21	1.00	50	3367	29.49			20	1.20	59	2843	24.90			20	1.45	65	2583	22.62	20	1.60	73	2292	20.07	19	1.80	81	2079	18.21	19	1.95	94	1787	15.65	18	2.30	108	1560	13.66	18	2.60	127	1323	11.59	17	3.10	145	1157	10.13	16	3.50	187	897	7.86	15	3.10	221	760	6.66	15	3.70	73	2300	20.14	14	1.05	81	2083	18.24	14	1.15	91	1846	16.17	14	1.25	101	1669	14.62	13	1.30	119	1415	12.39	13	1.45	136	1237	10.83	13	1.60	158	1061	9.29	13	1.80	175	958	8.39	12	2.00	206	813	7.12	12	2.30	237	709	6.21	11	2.50	283	594	5.20	11	2.80	327	514	4.50	11	3.00	110	1528	13.38	10	0.80	123	1368	11.98	9.9	0.85	148	1135	9.94	9.7	1.00	161	1044	9.14	10	1.10	179	939	8.22	9.8	1.15	206	814	7.13	9.5	1.25	230	730	6.39	9.3	1.30	277	605	5.30	8.9	1.40	306	577	4.80	10	2.30	377	469	3.90	5.9	2.90	413	428	3.56	5.9	3.40	474	373	3.10	6.5	4.00	538	328	2.73	6.9	4.25	634	279	2.32	5.9	4.35	721	245	2.04	6.0	4.90	350	480	4.20	7.3	1.65	386	435	3.81	7.2	1.80	435	386	3.38	7.0	2.00	479	351	3.07	6.9	2.20	557	301	2.64	6.7	2.60	639	263	2.30	6.4	3.00	754	223	1.95	6.2	3.20	860	195	1.71	6.0	3.40	1021	164	1.44	5.7	3.70	404	416	3.64	5.8	1.35	445	377	3.30	5.7	1.50	503	333	2.92	5.5	1.70	557	301	2.64	5.4	1.85	656	256	2.24	5.2	2.20	750	224	1.96	5.1	2.40	896	187	1.64	4.9	2.60	1035	162	1.42	4.7	2.70	533	315	2.76	2.9	1.20	593	283	2.48	3.2	1.35	684	245	2.15	3.4	1.50	762	220	1.93	3.6	1.55	919	183	1.60	3.6	1.65	1058	159	1.39	3.5	1.75	684	245	2.15	3.4	1.50	762	220	1.93	3.6	1.55	919	183	1.60	3.6	1.65	1058	159	1.39	3.5	1.75																																																																																																																																					
12	13612	119.22	54	0.90	GR147 GRF147	4P	14	12410	108.69			59	1.00	16			10821	94.77	62	1.15	18			9519	83.37	64	1.30	21			8092	70.87	66	1.50	22			7627	66.80	67	1.60	24			6953	60.90	67	1.75	28			6062	53.09	68	2.00	31			5333	46.71	69	2.30	37			4533	39.70	69	2.70	42	3993	34.97	69	3.00	49	3460	30.30	69	3.50	18	9292	81.38	37	0.80	GR137 GRF137	4P	20	8439	73.91			48	0.90	22			7488	65.58	51	1.00	25			6795	59.51	52	1.10	29			5840	51.15	54	1.30	33			5098	44.65	55	1.50	39			4324	37.87	56	1.75	44			3779	33.10	57	2.00	53			3196	27.99	57	2.30	49			3425	30.00	57	2.20	60	2784	24.38	57	2.80	GR137 GRF137	4P	66	2537	22.22			58	3.00	76			2213	19.38	58	3.50	86	1947	17.05	58	4.00	GR107 GRF107	4P	36	4609	40.37			19	0.90	42			4026	35.26	21	1.00	50			3367	29.49	20	1.20	59			2843	24.90	20	1.45	65	2583	22.62	20	1.60	73	2292	20.07	19	1.80	81	2079	18.21	19	1.95	94	1787	15.65	18	2.30	108	1560	13.66	18	2.60	127	1323	11.59	17	3.10	145	1157	10.13	16	3.50	187	897	7.86	15	3.10	221	760	6.66	15	3.70	73	2300	20.14	14	1.05	81	2083	18.24	14	1.15	91	1846	16.17	14	1.25	101	1669	14.62	13	1.30	119	1415	12.39	13	1.45	136	1237	10.83	13	1.60	158	1061	9.29	13	1.80	175	958	8.39	12	2.00	206	813	7.12	12	2.30	237	709	6.21	11	2.50	283	594	5.20	11	2.80	327	514	4.50	11	3.00	110	1528	13.38	10	0.80	123	1368	11.98	9.9	0.85	148	1135	9.94	9.7	1.00	161	1044	9.14	10	1.10	179	939	8.22	9.8	1.15	206	814	7.13	9.5	1.25	230	730	6.39	9.3	1.30	277	605	5.30	8.9	1.40	306	577	4.80	10	2.30	377	469	3.90	5.9	2.90	413	428	3.56	5.9	3.40	474	373	3.10	6.5	4.00	538	328	2.73	6.9	4.25	634	279	2.32	5.9	4.35	721	245	2.04	6.0	4.90	350	480	4.20	7.3	1.65	386	435	3.81	7.2	1.80	435	386	3.38	7.0	2.00	479	351	3.07	6.9	2.20	557	301	2.64	6.7	2.60	639	263	2.30	6.4	3.00	754	223	1.95	6.2	3.20	860	195	1.71	6.0	3.40	1021	164	1.44	5.7	3.70	404	416	3.64	5.8	1.35	445	377	3.30	5.7	1.50	503	333	2.92	5.5	1.70	557	301	2.64	5.4	1.85	656	256	2.24	5.2	2.20	750	224	1.96	5.1	2.40	896	187	1.64	4.9	2.60	1035	162	1.42	4.7	2.70	533	315	2.76	2.9	1.20	593	283	2.48	3.2	1.35	684	245	2.15	3.4	1.50	762	220	1.93	3.6	1.55	919	183	1.60	3.6	1.65	1058	159	1.39	3.5	1.75	684	245	2.15	3.4	1.50	762	220	1.93	3.6	1.55	919	183	1.60	3.6	1.65	1058	159	1.39	3.5	1.75																																																																																																																																										
14	12410	108.69	59	1.00			16	10821	94.77			62	1.15	18			9519	83.37	64	1.30	21			8092	70.87	66	1.50	22			7627	66.80	67	1.60	24			6953	60.90	67	1.75	28			6062	53.09	68	2.00	31			5333	46.71	69	2.30	37			4533	39.70	69	2.70	42	3993	34.97	69	3.00	49	3460	30.30	69	3.50	18	9292	81.38	37	0.80	GR137 GRF137	4P	20	8439	73.91	48	0.90			22	7488	65.58			51	1.00	25			6795	59.51	52	1.10	29			5840	51.15	54	1.30	33			5098	44.65	55	1.50	39			4324	37.87	56	1.75	44			3779	33.10	57	2.00	53			3196	27.99	57	2.30	49			3425	30.00	57	2.20	60	2784	24.38	57	2.80	GR137 GRF137	4P	66	2537	22.22	58	3.00			76	2213	19.38			58	3.50	86	1947	17.05	58	4.00	GR107 GRF107	4P	36	4609	40.37	19	0.90			42	4026	35.26			21	1.00	50			3367	29.49	20	1.20	59			2843	24.90	20	1.45	65	2583	22.62	20	1.60	73	2292	20.07	19	1.80	81	2079	18.21	19	1.95	94	1787	15.65	18	2.30	108	1560	13.66	18	2.60	127	1323	11.59	17	3.10	145	1157	10.13	16	3.50	187	897	7.86	15	3.10	221	760	6.66	15	3.70	73	2300	20.14	14	1.05	81	2083	18.24	14	1.15	91	1846	16.17	14	1.25	101	1669	14.62	13	1.30	119	1415	12.39	13	1.45	136	1237	10.83	13	1.60	158	1061	9.29	13	1.80	175	958	8.39	12	2.00	206	813	7.12	12	2.30	237	709	6.21	11	2.50	283	594	5.20	11	2.80	327	514	4.50	11	3.00	110	1528	13.38	10	0.80	123	1368	11.98	9.9	0.85	148	1135	9.94	9.7	1.00	161	1044	9.14	10	1.10	179	939	8.22	9.8	1.15	206	814	7.13	9.5	1.25	230	730	6.39	9.3	1.30	277	605	5.30	8.9	1.40	306	577	4.80	10	2.30	377	469	3.90	5.9	2.90	413	428	3.56	5.9	3.40	474	373	3.10	6.5	4.00	538	328	2.73	6.9	4.25	634	279	2.32	5.9	4.35	721	245	2.04	6.0	4.90	350	480	4.20	7.3	1.65	386	435	3.81	7.2	1.80	435	386	3.38	7.0	2.00	479	351	3.07	6.9	2.20	557	301	2.64	6.7	2.60	639	263	2.30	6.4	3.00	754	223	1.95	6.2	3.20	860	195	1.71	6.0	3.40	1021	164	1.44	5.7	3.70	404	416	3.64	5.8	1.35	445	377	3.30	5.7	1.50	503	333	2.92	5.5	1.70	557	301	2.64	5.4	1.85	656	256	2.24	5.2	2.20	750	224	1.96	5.1	2.40	896	187	1.64	4.9	2.60	1035	162	1.42	4.7	2.70	533	315	2.76	2.9	1.20	593	283	2.48	3.2	1.35	684	245	2.15	3.4	1.50	762	220	1.93	3.6	1.55	919	183	1.60	3.6	1.65	1058	159	1.39	3.5	1.75	684	245	2.15	3.4	1.50	762	220	1.93	3.6	1.55	919	183	1.60	3.6	1.65	1058	159	1.39	3.5	1.75																																																																																																																																																	
16	10821	94.77	62	1.15			18	9519	83.37			64	1.30	21			8092	70.87	66	1.50	22			7627	66.80	67	1.60	24			6953	60.90	67	1.75	28			6062	53.09	68	2.00	31			5333	46.71	69	2.30	37			4533	39.70	69	2.70	42	3993	34.97	69	3.00	49	3460	30.30	69	3.50	18	9292	81.38	37	0.80	GR137 GRF137	4P	20	8439	73.91	48	0.90			22	7488	65.58	51	1.00			25	6795	59.51			52	1.10	29			5840	51.15	54	1.30	33			5098	44.65	55	1.50	39			4324	37.87	56	1.75	44			3779	33.10	57	2.00	53			3196	27.99	57	2.30	49			3425	30.00	57	2.20	60	2784	24.38	57	2.80	GR137 GRF137	4P	66	2537	22.22	58	3.00			76	2213	19.38	58	3.50			86	1947	17.05	58	4.00	GR107 GRF107	4P	36	4609	40.37	19	0.90			42	4026	35.26	21	1.00			50	3367	29.49			20	1.20	59			2843	24.90	20	1.45	65	2583	22.62	20	1.60	73	2292	20.07	19	1.80	81	2079	18.21	19	1.95	94	1787	15.65	18	2.30	108	1560	13.66	18	2.60	127	1323	11.59	17	3.10	145	1157	10.13	16	3.50	187	897	7.86	15	3.10	221	760	6.66	15	3.70	73	2300	20.14	14	1.05	81	2083	18.24	14	1.15	91	1846	16.17	14	1.25	101	1669	14.62	13	1.30	119	1415	12.39	13	1.45	136	1237	10.83	13	1.60	158	1061	9.29	13	1.80	175	958	8.39	12	2.00	206	813	7.12	12	2.30	237	709	6.21	11	2.50	283	594	5.20	11	2.80	327	514	4.50	11	3.00	110	1528	13.38	10	0.80	123	1368	11.98	9.9	0.85	148	1135	9.94	9.7	1.00	161	1044	9.14	10	1.10	179	939	8.22	9.8	1.15	206	814	7.13	9.5	1.25	230	730	6.39	9.3	1.30	277	605	5.30	8.9	1.40	306	577	4.80	10	2.30	377	469	3.90	5.9	2.90	413	428	3.56	5.9	3.40	474	373	3.10	6.5	4.00	538	328	2.73	6.9	4.25	634	279	2.32	5.9	4.35	721	245	2.04	6.0	4.90	350	480	4.20	7.3	1.65	386	435	3.81	7.2	1.80	435	386	3.38	7.0	2.00	479	351	3.07	6.9	2.20	557	301	2.64	6.7	2.60	639	263	2.30	6.4	3.00	754	223	1.95	6.2	3.20	860	195	1.71	6.0	3.40	1021	164	1.44	5.7	3.70	404	416	3.64	5.8	1.35	445	377	3.30	5.7	1.50	503	333	2.92	5.5	1.70	557	301	2.64	5.4	1.85	656	256	2.24	5.2	2.20	750	224	1.96	5.1	2.40	896	187	1.64	4.9	2.60	1035	162	1.42	4.7	2.70	533	315	2.76	2.9	1.20	593	283	2.48	3.2	1.35	684	245	2.15	3.4	1.50	762	220	1.93	3.6	1.55	919	183	1.60	3.6	1.65	1058	159	1.39	3.5	1.75	684	245	2.15	3.4	1.50	762	220	1.93	3.6	1.55	919	183	1.60	3.6	1.65	1058	159	1.39	3.5	1.75																																																																																																																																																								
18	9519	83.37	64	1.30			21	8092	70.87			66	1.50	22			7627	66.80	67	1.60	24			6953	60.90	67	1.75	28			6062	53.09	68	2.00	31			5333	46.71	69	2.30	37			4533	39.70	69	2.70	42	3993	34.97	69	3.00	49	3460	30.30	69	3.50	18	9292	81.38	37	0.80	GR137 GRF137	4P	20	8439	73.91	48	0.90			22	7488	65.58	51	1.00			25	6795	59.51	52	1.10			29	5840	51.15			54	1.30	33			5098	44.65	55	1.50	39			4324	37.87	56	1.75	44			3779	33.10	57	2.00	53			3196	27.99	57	2.30	49			3425	30.00	57	2.20	60	2784	24.38	57	2.80	GR137 GRF137	4P	66	2537	22.22	58	3.00			76	2213	19.38	58	3.50			86	1947	17.05	58	4.00	GR107 GRF107	4P	36	4609	40.37	19	0.90			42	4026	35.26	21	1.00			50	3367	29.49	20	1.20			59	2843	24.90			20	1.45	65	2583	22.62	20	1.60	73	2292	20.07	19	1.80	81	2079	18.21	19	1.95	94	1787	15.65	18	2.30	108	1560	13.66	18	2.60	127	1323	11.59	17	3.10	145	1157	10.13	16	3.50	187	897	7.86	15	3.10	221	760	6.66	15	3.70	73	2300	20.14	14	1.05	81	2083	18.24	14	1.15	91	1846	16.17	14	1.25	101	1669	14.62	13	1.30	119	1415	12.39	13	1.45	136	1237	10.83	13	1.60	158	1061	9.29	13	1.80	175	958	8.39	12	2.00	206	813	7.12	12	2.30	237	709	6.21	11	2.50	283	594	5.20	11	2.80	327	514	4.50	11	3.00	110	1528	13.38	10	0.80	123	1368	11.98	9.9	0.85	148	1135	9.94	9.7	1.00	161	1044	9.14	10	1.10	179	939	8.22	9.8	1.15	206	814	7.13	9.5	1.25	230	730	6.39	9.3	1.30	277	605	5.30	8.9	1.40	306	577	4.80	10	2.30	377	469	3.90	5.9	2.90	413	428	3.56	5.9	3.40	474	373	3.10	6.5	4.00	538	328	2.73	6.9	4.25	634	279	2.32	5.9	4.35	721	245	2.04	6.0	4.90	350	480	4.20	7.3	1.65	386	435	3.81	7.2	1.80	435	386	3.38	7.0	2.00	479	351	3.07	6.9	2.20	557	301	2.64	6.7	2.60	639	263	2.30	6.4	3.00	754	223	1.95	6.2	3.20	860	195	1.71	6.0	3.40	1021	164	1.44	5.7	3.70	404	416	3.64	5.8	1.35	445	377	3.30	5.7	1.50	503	333	2.92	5.5	1.70	557	301	2.64	5.4	1.85	656	256	2.24	5.2	2.20	750	224	1.96	5.1	2.40	896	187	1.64	4.9	2.60	1035	162	1.42	4.7	2.70	533	315	2.76	2.9	1.20	593	283	2.48	3.2	1.35	684	245	2.15	3.4	1.50	762	220	1.93	3.6	1.55	919	183	1.60	3.6	1.65	1058	159	1.39	3.5	1.75	684	245	2.15	3.4	1.50	762	220	1.93	3.6	1.55	919	183	1.60	3.6	1.65	1058	159	1.39	3.5	1.75																																																																																																																																																															
21	8092	70.87	66	1.50			22	7627	66.80			67	1.60	24			6953	60.90	67	1.75	28			6062	53.09	68	2.00	31			5333	46.71	69	2.30	37			4533	39.70	69	2.70	42	3993	34.97	69	3.00	49	3460	30.30	69	3.50	18	9292	81.38	37	0.80	GR137 GRF137	4P	20	8439	73.91	48	0.90			22	7488	65.58	51	1.00			25	6795	59.51	52	1.10			29	5840	51.15	54	1.30			33	5098	44.65			55	1.50	39			4324	37.87	56	1.75	44			3779	33.10	57	2.00	53			3196	27.99	57	2.30	49			3425	30.00	57	2.20	60	2784	24.38	57	2.80	GR137 GRF137	4P	66	2537	22.22	58	3.00			76	2213	19.38	58	3.50			86	1947	17.05	58	4.00	GR107 GRF107	4P	36	4609	40.37	19	0.90			42	4026	35.26	21	1.00			50	3367	29.49	20	1.20			59	2843	24.90	20	1.45			65	2583	22.62	20	1.60	73	2292	20.07	19	1.80	81	2079	18.21	19	1.95	94	1787	15.65	18	2.30	108	1560	13.66	18	2.60	127	1323	11.59	17	3.10	145	1157	10.13	16	3.50	187	897	7.86	15	3.10	221	760	6.66	15	3.70	73	2300	20.14	14	1.05	81	2083	18.24	14	1.15	91	1846	16.17	14	1.25	101	1669	14.62	13	1.30	119	1415	12.39	13	1.45	136	1237	10.83	13	1.60	158	1061	9.29	13	1.80	175	958	8.39	12	2.00	206	813	7.12	12	2.30	237	709	6.21	11	2.50	283	594	5.20	11	2.80	327	514	4.50	11	3.00	110	1528	13.38	10	0.80	123	1368	11.98	9.9	0.85	148	1135	9.94	9.7	1.00	161	1044	9.14	10	1.10	179	939	8.22	9.8	1.15	206	814	7.13	9.5	1.25	230	730	6.39	9.3	1.30	277	605	5.30	8.9	1.40	306	577	4.80	10	2.30	377	469	3.90	5.9	2.90	413	428	3.56	5.9	3.40	474	373	3.10	6.5	4.00	538	328	2.73	6.9	4.25	634	279	2.32	5.9	4.35	721	245	2.04	6.0	4.90	350	480	4.20	7.3	1.65	386	435	3.81	7.2	1.80	435	386	3.38	7.0	2.00	479	351	3.07	6.9	2.20	557	301	2.64	6.7	2.60	639	263	2.30	6.4	3.00	754	223	1.95	6.2	3.20	860	195	1.71	6.0	3.40	1021	164	1.44	5.7	3.70	404	416	3.64	5.8	1.35	445	377	3.30	5.7	1.50	503	333	2.92	5.5	1.70	557	301	2.64	5.4	1.85	656	256	2.24	5.2	2.20	750	224	1.96	5.1	2.40	896	187	1.64	4.9	2.60	1035	162	1.42	4.7	2.70	533	315	2.76	2.9	1.20	593	283	2.48	3.2	1.35	684	245	2.15	3.4	1.50	762	220	1.93	3.6	1.55	919	183	1.60	3.6	1.65	1058	159	1.39	3.5	1.75	684	245	2.15	3.4	1.50	762	220	1.93	3.6	1.55	919	183	1.60	3.6	1.65	1058	159	1.39	3.5	1.75																																																																																																																																																																						
22	7627	66.80	67	1.60			24	6953	60.90			67	1.75	28			6062	53.09	68	2.00	31			5333	46.71	69	2.30	37			4533	39.70	69	2.70	42	3993	34.97	69	3.00	49	3460	30.30	69	3.50	18	9292	81.38	37	0.80	GR137 GRF137	4P	20	8439	73.91	48	0.90			22	7488	65.58	51	1.00			25	6795	59.51	52	1.10			29	5840	51.15	54	1.30			33	5098	44.65	55	1.50			39	4324	37.87			56	1.75	44			3779	33.10	57	2.00	53			3196	27.99	57	2.30	49			3425	30.00	57	2.20	60	2784	24.38	57	2.80	GR137 GRF137	4P	66	2537	22.22	58	3.00			76	2213	19.38	58	3.50			86	1947	17.05	58	4.00	GR107 GRF107	4P	36	4609	40.37	19	0.90			42	4026	35.26	21	1.00			50	3367	29.49	20	1.20			59	2843	24.90	20	1.45			65	2583	22.62	20	1.60	73	2292	20.07	19	1.80	81	2079	18.21	19	1.95	94	1787	15.65	18	2.30	108	1560	13.66	18	2.60	127	1323	11.59	17	3.10	145	1157	10.13	16	3.50	187	897	7.86	15	3.10	221	760	6.66	15	3.70	73	2300	20.14	14	1.05	81	2083	18.24	14	1.15	91	1846	16.17	14	1.25	101	1669	14.62	13	1.30	119	1415	12.39	13	1.45	136	1237	10.83	13	1.60	158	1061	9.29	13	1.80	175	958	8.39	12	2.00	206	813	7.12	12	2.30	237	709	6.21	11	2.50	283	594	5.20	11	2.80	327	514	4.50	11	3.00	110	1528	13.38	10	0.80	123	1368	11.98	9.9	0.85	148	1135	9.94	9.7	1.00	161	1044	9.14	10	1.10	179	939	8.22	9.8	1.15	206	814	7.13	9.5	1.25	230	730	6.39	9.3	1.30	277	605	5.30	8.9	1.40	306	577	4.80	10	2.30	377	469	3.90	5.9	2.90	413	428	3.56	5.9	3.40	474	373	3.10	6.5	4.00	538	328	2.73	6.9	4.25	634	279	2.32	5.9	4.35	721	245	2.04	6.0	4.90	350	480	4.20	7.3	1.65	386	435	3.81	7.2	1.80	435	386	3.38	7.0	2.00	479	351	3.07	6.9	2.20	557	301	2.64	6.7	2.60	639	263	2.30	6.4	3.00	754	223	1.95	6.2	3.20	860	195	1.71	6.0	3.40	1021	164	1.44	5.7	3.70	404	416	3.64	5.8	1.35	445	377	3.30	5.7	1.50	503	333	2.92	5.5	1.70	557	301	2.64	5.4	1.85	656	256	2.24	5.2	2.20	750	224	1.96	5.1	2.40	896	187	1.64	4.9	2.60	1035	162	1.42	4.7	2.70	533	315	2.76	2.9	1.20	593	283	2.48	3.2	1.35	684	245	2.15	3.4	1.50	762	220	1.93	3.6	1.55	919	183	1.60	3.6	1.65	1058	159	1.39	3.5	1.75	684	245	2.15	3.4	1.50	762	220	1.93	3.6	1.55	919	183	1.60	3.6	1.65	1058	159	1.39	3.5	1.75																																																																																																																																																																													
24	6953	60.90	67	1.75			28	6062	53.09			68	2.00	31			5333	46.71	69	2.30	37			4533	39.70	69	2.70	42	3993	34.97	69	3.00	49	3460	30.30	69	3.50	18	9292	81.38	37	0.80	GR137 GRF137	4P	20	8439	73.91	48	0.90			22	7488	65.58	51	1.00			25	6795	59.51	52	1.10			29	5840	51.15	54	1.30			33	5098	44.65	55	1.50			39	4324	37.87	56	1.75			44	3779	33.10			57	2.00	53			3196	27.99	57	2.30	49			3425	30.00	57	2.20	60	2784	24.38	57	2.80	GR137 GRF137	4P	66	2537	22.22	58	3.00			76	2213	19.38	58	3.50			86	1947	17.05	58	4.00	GR107 GRF107	4P	36	4609	40.37	19	0.90			42	4026	35.26	21	1.00			50	3367	29.49	20	1.20			59	2843	24.90	20	1.45			65	2583	22.62	20	1.60	73	2292	20.07	19	1.80	81	2079	18.21	19	1.95	94	1787	15.65	18	2.30	108	1560	13.66	18	2.60	127	1323	11.59	17	3.10	145	1157	10.13	16	3.50	187	897	7.86	15	3.10	221	760	6.66	15	3.70	73	2300	20.14	14	1.05	81	2083	18.24	14	1.15	91	1846	16.17	14	1.25	101	1669	14.62	13	1.30	119	1415	12.39	13	1.45	136	1237	10.83	13	1.60	158	1061	9.29	13	1.80	175	958	8.39	12	2.00	206	813	7.12	12	2.30	237	709	6.21	11	2.50	283	594	5.20	11	2.80	327	514	4.50	11	3.00	110	1528	13.38	10	0.80	123	1368	11.98	9.9	0.85	148	1135	9.94	9.7	1.00	161	1044	9.14	10	1.10	179	939	8.22	9.8	1.15	206	814	7.13	9.5	1.25	230	730	6.39	9.3	1.30	277	605	5.30	8.9	1.40	306	577	4.80	10	2.30	377	469	3.90	5.9	2.90	413	428	3.56	5.9	3.40	474	373	3.10	6.5	4.00	538	328	2.73	6.9	4.25	634	279	2.32	5.9	4.35	721	245	2.04	6.0	4.90	350	480	4.20	7.3	1.65	386	435	3.81	7.2	1.80	435	386	3.38	7.0	2.00	479	351	3.07	6.9	2.20	557	301	2.64	6.7	2.60	639	263	2.30	6.4	3.00	754	223	1.95	6.2	3.20	860	195	1.71	6.0	3.40	1021	164	1.44	5.7	3.70	404	416	3.64	5.8	1.35	445	377	3.30	5.7	1.50	503	333	2.92	5.5	1.70	557	301	2.64	5.4	1.85	656	256	2.24	5.2	2.20	750	224	1.96	5.1	2.40	896	187	1.64	4.9	2.60	1035	162	1.42	4.7	2.70	533	315	2.76	2.9	1.20	593	283	2.48	3.2	1.35	684	245	2.15	3.4	1.50	762	220	1.93	3.6	1.55	919	183	1.60	3.6	1.65	1058	159	1.39	3.5	1.75	684	245	2.15	3.4	1.50	762	220	1.93	3.6	1.55	919	183	1.60	3.6	1.65	1058	159	1.39	3.5	1.75																																																																																																																																																																																				
28	6062	53.09	68	2.00			31	5333	46.71			69	2.30	37			4533	39.70	69	2.70	42	3993	34.97	69	3.00	49	3460	30.30	69	3.50	18	9292	81.38	37	0.80	GR137 GRF137	4P	20	8439	73.91	48	0.90			22	7488	65.58	51	1.00			25	6795	59.51	52	1.10			29	5840	51.15	54	1.30			33	5098	44.65	55	1.50			39	4324	37.87	56	1.75			44	3779	33.10	57	2.00			53	3196	27.99			57	2.30	49			3425	30.00	57	2.20	60	2784	24.38	57	2.80	GR137 GRF137	4P	66	2537	22.22	58	3.00			76	2213	19.38	58	3.50			86	1947	17.05	58	4.00	GR107 GRF107	4P	36	4609	40.37	19	0.90			42	4026	35.26	21	1.00			50	3367	29.49	20	1.20			59	2843	24.90	20	1.45			65	2583	22.62	20	1.60	73	2292	20.07	19	1.80	81	2079	18.21	19	1.95	94	1787	15.65	18	2.30	108	1560	13.66	18	2.60	127	1323	11.59	17	3.10	145	1157	10.13	16	3.50	187	897	7.86	15	3.10	221	760	6.66	15	3.70	73	2300	20.14	14	1.05	81	2083	18.24	14	1.15	91	1846	16.17	14	1.25	101	1669	14.62	13	1.30	119	1415	12.39	13	1.45	136	1237	10.83	13	1.60	158	1061	9.29	13	1.80	175	958	8.39	12	2.00	206	813	7.12	12	2.30	237	709	6.21	11	2.50	283	594	5.20	11	2.80	327	514	4.50	11	3.00	110	1528	13.38	10	0.80	123	1368	11.98	9.9	0.85	148	1135	9.94	9.7	1.00	161	1044	9.14	10	1.10	179	939	8.22	9.8	1.15	206	814	7.13	9.5	1.25	230	730	6.39	9.3	1.30	277	605	5.30	8.9	1.40	306	577	4.80	10	2.30	377	469	3.90	5.9	2.90	413	428	3.56	5.9	3.40	474	373	3.10	6.5	4.00	538	328	2.73	6.9	4.25	634	279	2.32	5.9	4.35	721	245	2.04	6.0	4.90	350	480	4.20	7.3	1.65	386	435	3.81	7.2	1.80	435	386	3.38	7.0	2.00	479	351	3.07	6.9	2.20	557	301	2.64	6.7	2.60	639	263	2.30	6.4	3.00	754	223	1.95	6.2	3.20	860	195	1.71	6.0	3.40	1021	164	1.44	5.7	3.70	404	416	3.64	5.8	1.35	445	377	3.30	5.7	1.50	503	333	2.92	5.5	1.70	557	301	2.64	5.4	1.85	656	256	2.24	5.2	2.20	750	224	1.96	5.1	2.40	896	187	1.64	4.9	2.60	1035	162	1.42	4.7	2.70	533	315	2.76	2.9	1.20	593	283	2.48	3.2	1.35	684	245	2.15	3.4	1.50	762	220	1.93	3.6	1.55	919	183	1.60	3.6	1.65	1058	159	1.39	3.5	1.75	684	245	2.15	3.4	1.50	762	220	1.93	3.6	1.55	919	183	1.60	3.6	1.65	1058	159	1.39	3.5	1.75																																																																																																																																																																																											
31	5333	46.71	69	2.30			37	4533	39.70			69	2.70	42	3993	34.97	69	3.00	49	3460	30.30	69	3.50	18	9292	81.38	37	0.80	GR137 GRF137	4P	20	8439	73.91	48	0.90			22	7488	65.58	51	1.00			25	6795	59.51	52	1.10			29	5840	51.15	54	1.30			33	5098	44.65	55	1.50			39	4324	37.87	56	1.75			44	3779	33.10	57	2.00			53	3196	27.99	57	2.30			49	3425	30.00			57	2.20	60	2784	24.38	57	2.80	GR137 GRF137	4P	66	2537	22.22	58	3.00			76	2213	19.38	58	3.50			86	1947	17.05	58	4.00	GR107 GRF107	4P	36	4609	40.37	19	0.90			42	4026	35.26	21	1.00			50	3367	29.49	20	1.20			59	2843	24.90	20	1.45			65	2583	22.62	20	1.60	73	2292	20.07	19	1.80	81	2079	18.21	19	1.95	94	1787	15.65	18	2.30	108	1560	13.66	18	2.60	127	1323	11.59	17	3.10	145	1157	10.13	16	3.50	187	897	7.86	15	3.10	221	760	6.66	15	3.70	73	2300	20.14	14	1.05	81	2083	18.24	14	1.15	91	1846	16.17	14	1.25	101	1669	14.62	13	1.30	119	1415	12.39	13	1.45	136	1237	10.83	13	1.60	158	1061	9.29	13	1.80	175	958	8.39	12	2.00	206	813	7.12	12	2.30	237	709	6.21	11	2.50	283	594	5.20	11	2.80	327	514	4.50	11	3.00	110	1528	13.38	10	0.80	123	1368	11.98	9.9	0.85	148	1135	9.94	9.7	1.00	161	1044	9.14	10	1.10	179	939	8.22	9.8	1.15	206	814	7.13	9.5	1.25	230	730	6.39	9.3	1.30	277	605	5.30	8.9	1.40	306	577	4.80	10	2.30	377	469	3.90	5.9	2.90	413	428	3.56	5.9	3.40	474	373	3.10	6.5	4.00	538	328	2.73	6.9	4.25	634	279	2.32	5.9	4.35	721	245	2.04	6.0	4.90	350	480	4.20	7.3	1.65	386	435	3.81	7.2	1.80	435	386	3.38	7.0	2.00	479	351	3.07	6.9	2.20	557	301	2.64	6.7	2.60	639	263	2.30	6.4	3.00	754	223	1.95	6.2	3.20	860	195	1.71	6.0	3.40	1021	164	1.44	5.7	3.70	404	416	3.64	5.8	1.35	445	377	3.30	5.7	1.50	503	333	2.92	5.5	1.70	557	301	2.64	5.4	1.85	656	256	2.24	5.2	2.20	750	224	1.96	5.1	2.40	896	187	1.64	4.9	2.60	1035	162	1.42	4.7	2.70	533	315	2.76	2.9	1.20	593	283	2.48	3.2	1.35	684	245	2.15	3.4	1.50	762	220	1.93	3.6	1.55	919	183	1.60	3.6	1.65	1058	159	1.39	3.5	1.75	684	245	2.15	3.4	1.50	762	220	1.93	3.6	1.55	919	183	1.60	3.6	1.65	1058	159	1.39	3.5	1.75																																																																																																																																																																																																		
37	4533	39.70	69	2.70			42	3993	34.97	69	3.00	49	3460	30.30	69	3.50	18	9292	81.38	37	0.80	GR137 GRF137	4P	20	8439	73.91	48	0.90			22	7488	65.58	51	1.00			25	6795	59.51	52	1.10			29	5840	51.15	54	1.30			33	5098	44.65	55	1.50			39	4324	37.87	56	1.75			44	3779	33.10	57	2.00			53	3196	27.99	57	2.30			49	3425	30.00	57	2.20			60	2784	24.38	57	2.80	GR137 GRF137	4P	66	2537	22.22	58	3.00			76	2213	19.38	58	3.50			86	1947	17.05	58	4.00	GR107 GRF107	4P	36	4609	40.37	19	0.90			42	4026	35.26	21	1.00			50	3367	29.49	20	1.20			59	2843	24.90	20	1.45			65	2583	22.62	20	1.60	73	2292	20.07	19	1.80	81	2079	18.21	19	1.95	94	1787	15.65	18	2.30	108	1560	13.66	18	2.60	127	1323	11.59	17	3.10	145	1157	10.13	16	3.50	187	897	7.86	15	3.10	221	760	6.66	15	3.70	73	2300	20.14	14	1.05	81	2083	18.24	14	1.15	91	1846	16.17	14	1.25	101	1669	14.62	13	1.30	119	1415	12.39	13	1.45	136	1237	10.83	13	1.60	158	1061	9.29	13	1.80	175	958	8.39	12	2.00	206	813	7.12	12	2.30	237	709	6.21	11	2.50	283	594	5.20	11	2.80	327	514	4.50	11	3.00	110	1528	13.38	10	0.80	123	1368	11.98	9.9	0.85	148	1135	9.94	9.7	1.00	161	1044	9.14	10	1.10	179	939	8.22	9.8	1.15	206	814	7.13	9.5	1.25	230	730	6.39	9.3	1.30	277	605	5.30	8.9	1.40	306	577	4.80	10	2.30	377	469	3.90	5.9	2.90	413	428	3.56	5.9	3.40	474	373	3.10	6.5	4.00	538	328	2.73	6.9	4.25	634	279	2.32	5.9	4.35	721	245	2.04	6.0	4.90	350	480	4.20	7.3	1.65	386	435	3.81	7.2	1.80	435	386	3.38	7.0	2.00	479	351	3.07	6.9	2.20	557	301	2.64	6.7	2.60	639	263	2.30	6.4	3.00	754	223	1.95	6.2	3.20	860	195	1.71	6.0	3.40	1021	164	1.44	5.7	3.70	404	416	3.64	5.8	1.35	445	377	3.30	5.7	1.50	503	333	2.92	5.5	1.70	557	301	2.64	5.4	1.85	656	256	2.24	5.2	2.20	750	224	1.96	5.1	2.40	896	187	1.64	4.9	2.60	1035	162	1.42	4.7	2.70	533	315	2.76	2.9	1.20	593	283	2.48	3.2	1.35	684	245	2.15	3.4	1.50	762	220	1.93	3.6	1.55	919	183	1.60	3.6	1.65	1058	159	1.39	3.5	1.75	684	245	2.15	3.4	1.50	762	220	1.93	3.6	1.55	919	183	1.60	3.6	1.65	1058	159	1.39	3.5	1.75																																																																																																																																																																																																									
42	3993	34.97	69	3.00	49	3460	30.30	69	3.50	18	9292	81.38	37	0.80	GR137 GRF137	4P	20	8439	73.91	48	0.90			22	7488	65.58	51	1.00			25	6795	59.51	52	1.10			29	5840	51.15	54	1.30			33	5098	44.65	55	1.50			39	4324	37.87	56	1.75			44	3779	33.10	57	2.00			53	3196	27.99	57	2.30			49	3425	30.00	57	2.20			60	2784	24.38	57	2.80	GR137 GRF137	4P	66	2537	22.22	58	3.00			76	2213	19.38	58	3.50			86	1947	17.05	58	4.00	GR107 GRF107	4P	36	4609	40.37	19	0.90			42	4026	35.26	21	1.00			50	3367	29.49	20	1.20			59	2843	24.90	20	1.45			65	2583	22.62	20	1.60	73	2292	20.07	19	1.80	81	2079	18.21	19	1.95	94	1787	15.65	18	2.30	108	1560	13.66	18	2.60	127	1323	11.59	17	3.10	145	1157	10.13	16	3.50	187	897	7.86	15	3.10	221	760	6.66	15	3.70	73	2300	20.14	14	1.05	81	2083	18.24	14	1.15	91	1846	16.17	14	1.25	101	1669	14.62	13	1.30	119	1415	12.39	13	1.45	136	1237	10.83	13	1.60	158	1061	9.29	13	1.80	175	958	8.39	12	2.00	206	813	7.12	12	2.30	237	709	6.21	11	2.50	283	594	5.20	11	2.80	327	514	4.50	11	3.00	110	1528	13.38	10	0.80	123	1368	11.98	9.9	0.85	148	1135	9.94	9.7	1.00	161	1044	9.14	10	1.10	179	939	8.22	9.8	1.15	206	814	7.13	9.5	1.25	230	730	6.39	9.3	1.30	277	605	5.30	8.9	1.40	306	577	4.80	10	2.30	377	469	3.90	5.9	2.90	413	428	3.56	5.9	3.40	474	373	3.10	6.5	4.00	538	328	2.73	6.9	4.25	634	279	2.32	5.9	4.35	721	245	2.04	6.0	4.90	350	480	4.20	7.3	1.65	386	435	3.81	7.2	1.80	435	386	3.38	7.0	2.00	479	351	3.07	6.9	2.20	557	301	2.64	6.7	2.60	639	263	2.30	6.4	3.00	754	223	1.95	6.2	3.20	860	195	1.71	6.0	3.40	1021	164	1.44	5.7	3.70	404	416	3.64	5.8	1.35	445	377	3.30	5.7	1.50	503	333	2.92	5.5	1.70	557	301	2.64	5.4	1.85	656	256	2.24	5.2	2.20	750	224	1.96	5.1	2.40	896	187	1.64	4.9	2.60	1035	162	1.42	4.7	2.70	533	315	2.76	2.9	1.20	593	283	2.48	3.2	1.35	684	245	2.15	3.4	1.50	762	220	1.93	3.6	1.55	919	183	1.60	3.6	1.65	1058	159	1.39	3.5	1.75	684	245	2.15	3.4	1.50	762	220	1.93	3.6	1.55	919	183	1.60	3.6	1.65	1058	159	1.39	3.5	1.75																																																																																																																																																																																																																
49	3460	30.30	69	3.50	18	9292	81.38	37	0.80	GR137 GRF137	4P	20	8439	73.91			48	0.90	22	7488	65.58			51	1.00	25	6795	59.51			52	1.10	29	5840	51.15			54	1.30	33	5098	44.65			55	1.50	39	4324	37.87			56	1.75	44	3779	33.10			57	2.00	53	3196	27.99			57	2.30	49	3425	30.00			57	2.20	60	2784	24.38	57	2.80	GR137 GRF137	4P	66	2537	22.22			58	3.00	76	2213	19.38			58	3.50	86	1947	17.05	58	4.00	GR107 GRF107	4P	36	4609	40.37			19	0.90	42	4026	35.26			21	1.00	50	3367	29.49			20	1.20	59	2843	24.90			20	1.45	65	2583	22.62	20	1.60	73	2292	20.07	19	1.80	81	2079	18.21	19	1.95	94	1787	15.65	18	2.30	108	1560	13.66	18	2.60	127	1323	11.59	17	3.10	145	1157	10.13	16	3.50	187	897	7.86	15	3.10	221	760	6.66	15	3.70	73	2300	20.14	14	1.05	81	2083	18.24	14	1.15	91	1846	16.17	14	1.25	101	1669	14.62	13	1.30	119	1415	12.39	13	1.45	136	1237	10.83	13	1.60	158	1061	9.29	13	1.80	175	958	8.39	12	2.00	206	813	7.12	12	2.30	237	709	6.21	11	2.50	283	594	5.20	11	2.80	327	514	4.50	11	3.00	110	1528	13.38	10	0.80	123	1368	11.98	9.9	0.85	148	1135	9.94	9.7	1.00	161	1044	9.14	10	1.10	179	939	8.22	9.8	1.15	206	814	7.13	9.5	1.25	230	730	6.39	9.3	1.30	277	605	5.30	8.9	1.40	306	577	4.80	10	2.30	377	469	3.90	5.9	2.90	413	428	3.56	5.9	3.40	474	373	3.10	6.5	4.00	538	328	2.73	6.9	4.25	634	279	2.32	5.9	4.35	721	245	2.04	6.0	4.90	350	480	4.20	7.3	1.65	386	435	3.81	7.2	1.80	435	386	3.38	7.0	2.00	479	351	3.07	6.9	2.20	557	301	2.64	6.7	2.60	639	263	2.30	6.4	3.00	754	223	1.95	6.2	3.20	860	195	1.71	6.0	3.40	1021	164	1.44	5.7	3.70	404	416	3.64	5.8	1.35	445	377	3.30	5.7	1.50	503	333	2.92	5.5	1.70	557	301	2.64	5.4	1.85	656	256	2.24	5.2	2.20	750	224	1.96	5.1	2.40	896	187	1.64	4.9	2.60	1035	162	1.42	4.7	2.70	533	315	2.76	2.9	1.20	593	283	2.48	3.2	1.35	684	245	2.15	3.4	1.50	762	220	1.93	3.6	1.55	919	183	1.60	3.6	1.65	1058	159	1.39	3.5	1.75	684	245	2.15	3.4	1.50	762	220	1.93	3.6	1.55	919	183	1.60	3.6	1.65	1058	159	1.39	3.5	1.75																																																																																																																																																																																																																					
18	9292	81.38	37	0.80	GR137 GRF137	4P	20	8439	73.91			48	0.90	22			7488	65.58	51	1.00	25			6795	59.51	52	1.10	29			5840	51.15	54	1.30	33			5098	44.65	55	1.50	39			4324	37.87	56	1.75	44			3779	33.10	57	2.00	53			3196	27.99	57	2.30	49			3425	30.00	57	2.20	60	2784	24.38	57	2.80	GR137 GRF137	4P	66	2537	22.22			58	3.00	76			2213	19.38	58	3.50	86	1947	17.05	58	4.00	GR107 GRF107	4P	36	4609	40.37			19	0.90	42			4026	35.26	21	1.00	50			3367	29.49	20	1.20	59			2843	24.90	20	1.45	65	2583	22.62	20	1.60	73	2292	20.07	19	1.80	81	2079	18.21	19	1.95	94	1787	15.65	18	2.30	108	1560	13.66	18	2.60	127	1323	11.59	17	3.10	145	1157	10.13	16	3.50	187	897	7.86	15	3.10	221	760	6.66	15	3.70	73	2300	20.14	14	1.05	81	2083	18.24	14	1.15	91	1846	16.17	14	1.25	101	1669	14.62	13	1.30	119	1415	12.39	13	1.45	136	1237	10.83	13	1.60	158	1061	9.29	13	1.80	175	958	8.39	12	2.00	206	813	7.12	12	2.30	237	709	6.21	11	2.50	283	594	5.20	11	2.80	327	514	4.50	11	3.00	110	1528	13.38	10	0.80	123	1368	11.98	9.9	0.85	148	1135	9.94	9.7	1.00	161	1044	9.14	10	1.10	179	939	8.22	9.8	1.15	206	814	7.13	9.5	1.25	230	730	6.39	9.3	1.30	277	605	5.30	8.9	1.40	306	577	4.80	10	2.30	377	469	3.90	5.9	2.90	413	428	3.56	5.9	3.40	474	373	3.10	6.5	4.00	538	328	2.73	6.9	4.25	634	279	2.32	5.9	4.35	721	245	2.04	6.0	4.90	350	480	4.20	7.3	1.65	386	435	3.81	7.2	1.80	435	386	3.38	7.0	2.00	479	351	3.07	6.9	2.20	557	301	2.64	6.7	2.60	639	263	2.30	6.4	3.00	754	223	1.95	6.2	3.20	860	195	1.71	6.0	3.40	1021	164	1.44	5.7	3.70	404	416	3.64	5.8	1.35	445	377	3.30	5.7	1.50	503	333	2.92	5.5	1.70	557	301	2.64	5.4	1.85	656	256	2.24	5.2	2.20	750	224	1.96	5.1	2.40	896	187	1.64	4.9	2.60	1035	162	1.42	4.7	2.70	533	315	2.76	2.9	1.20	593	283	2.48	3.2	1.35	684	245	2.15	3.4	1.50	762	220	1.93	3.6	1.55	919	183	1.60	3.6	1.65	1058	159	1.39	3.5	1.75	684	245	2.15	3.4	1.50	762	220	1.93	3.6	1.55	919	183	1.60	3.6	1.65	1058	159	1.39	3.5	1.75																																																																																																																																																																																																																										
20	8439	73.91	48	0.90			22	7488	65.58			51	1.00	25			6795	59.51	52	1.10	29			5840	51.15	54	1.30	33			5098	44.65	55	1.50	39			4324	37.87	56	1.75	44			3779	33.10	57	2.00	53			3196	27.99	57	2.30	49			3425	30.00	57	2.20	60	2784	24.38	57	2.80	GR137 GRF137	4P	66	2537	22.22	58	3.00			76	2213	19.38			58	3.50	86	1947	17.05	58	4.00	GR107 GRF107	4P	36	4609	40.37	19	0.90			42	4026	35.26			21	1.00	50			3367	29.49	20	1.20	59			2843	24.90	20	1.45	65	2583	22.62	20	1.60	73	2292	20.07	19	1.80	81	2079	18.21	19	1.95	94	1787	15.65	18	2.30	108	1560	13.66	18	2.60	127	1323	11.59	17	3.10	145	1157	10.13	16	3.50	187	897	7.86	15	3.10	221	760	6.66	15	3.70	73	2300	20.14	14	1.05	81	2083	18.24	14	1.15	91	1846	16.17	14	1.25	101	1669	14.62	13	1.30	119	1415	12.39	13	1.45	136	1237	10.83	13	1.60	158	1061	9.29	13	1.80	175	958	8.39	12	2.00	206	813	7.12	12	2.30	237	709	6.21	11	2.50	283	594	5.20	11	2.80	327	514	4.50	11	3.00	110	1528	13.38	10	0.80	123	1368	11.98	9.9	0.85	148	1135	9.94	9.7	1.00	161	1044	9.14	10	1.10	179	939	8.22	9.8	1.15	206	814	7.13	9.5	1.25	230	730	6.39	9.3	1.30	277	605	5.30	8.9	1.40	306	577	4.80	10	2.30	377	469	3.90	5.9	2.90	413	428	3.56	5.9	3.40	474	373	3.10	6.5	4.00	538	328	2.73	6.9	4.25	634	279	2.32	5.9	4.35	721	245	2.04	6.0	4.90	350	480	4.20	7.3	1.65	386	435	3.81	7.2	1.80	435	386	3.38	7.0	2.00	479	351	3.07	6.9	2.20	557	301	2.64	6.7	2.60	639	263	2.30	6.4	3.00	754	223	1.95	6.2	3.20	860	195	1.71	6.0	3.40	1021	164	1.44	5.7	3.70	404	416	3.64	5.8	1.35	445	377	3.30	5.7	1.50	503	333	2.92	5.5	1.70	557	301	2.64	5.4	1.85	656	256	2.24	5.2	2.20	750	224	1.96	5.1	2.40	896	187	1.64	4.9	2.60	1035	162	1.42	4.7	2.70	533	315	2.76	2.9	1.20	593	283	2.48	3.2	1.35	684	245	2.15	3.4	1.50	762	220	1.93	3.6	1.55	919	183	1.60	3.6	1.65	1058	159	1.39	3.5	1.75	684	245	2.15	3.4	1.50	762	220	1.93	3.6	1.55	919	183	1.60	3.6	1.65	1058	159	1.39	3.5	1.75																																																																																																																																																																																																																																	
22	7488	65.58	51	1.00			25	6795	59.51			52	1.10	29			5840	51.15	54	1.30	33			5098	44.65	55	1.50	39			4324	37.87	56	1.75	44			3779	33.10	57	2.00	53			3196	27.99	57	2.30	49			3425	30.00	57	2.20	60	2784	24.38	57	2.80	GR137 GRF137	4P	66	2537	22.22	58	3.00			76	2213	19.38	58	3.50			86	1947	17.05	58	4.00	GR107 GRF107	4P	36	4609	40.37	19	0.90			42	4026	35.26	21	1.00			50	3367	29.49			20	1.20	59			2843	24.90	20	1.45	65	2583	22.62	20	1.60	73	2292	20.07	19	1.80	81	2079	18.21	19	1.95	94	1787	15.65	18	2.30	108	1560	13.66	18	2.60	127	1323	11.59	17	3.10	145	1157	10.13	16	3.50	187	897	7.86	15	3.10	221	760	6.66	15	3.70	73	2300	20.14	14	1.05	81	2083	18.24	14	1.15	91	1846	16.17	14	1.25	101	1669	14.62	13	1.30	119	1415	12.39	13	1.45	136	1237	10.83	13	1.60	158	1061	9.29	13	1.80	175	958	8.39	12	2.00	206	813	7.12	12	2.30	237	709	6.21	11	2.50	283	594	5.20	11	2.80	327	514	4.50	11	3.00	110	1528	13.38	10	0.80	123	1368	11.98	9.9	0.85	148	1135	9.94	9.7	1.00	161	1044	9.14	10	1.10	179	939	8.22	9.8	1.15	206	814	7.13	9.5	1.25	230	730	6.39	9.3	1.30	277	605	5.30	8.9	1.40	306	577	4.80	10	2.30	377	469	3.90	5.9	2.90	413	428	3.56	5.9	3.40	474	373	3.10	6.5	4.00	538	328	2.73	6.9	4.25	634	279	2.32	5.9	4.35	721	245	2.04	6.0	4.90	350	480	4.20	7.3	1.65	386	435	3.81	7.2	1.80	435	386	3.38	7.0	2.00	479	351	3.07	6.9	2.20	557	301	2.64	6.7	2.60	639	263	2.30	6.4	3.00	754	223	1.95	6.2	3.20	860	195	1.71	6.0	3.40	1021	164	1.44	5.7	3.70	404	416	3.64	5.8	1.35	445	377	3.30	5.7	1.50	503	333	2.92	5.5	1.70	557	301	2.64	5.4	1.85	656	256	2.24	5.2	2.20	750	224	1.96	5.1	2.40	896	187	1.64	4.9	2.60	1035	162	1.42	4.7	2.70	533	315	2.76	2.9	1.20	593	283	2.48	3.2	1.35	684	245	2.15	3.4	1.50	762	220	1.93	3.6	1.55	919	183	1.60	3.6	1.65	1058	159	1.39	3.5	1.75	684	245	2.15	3.4	1.50	762	220	1.93	3.6	1.55	919	183	1.60	3.6	1.65	1058	159	1.39	3.5	1.75																																																																																																																																																																																																																																								
25	6795	59.51	52	1.10			29	5840	51.15			54	1.30	33			5098	44.65	55	1.50	39			4324	37.87	56	1.75	44			3779	33.10	57	2.00	53			3196	27.99	57	2.30	49			3425	30.00	57	2.20	60	2784	24.38	57	2.80	GR137 GRF137	4P	66	2537	22.22	58	3.00			76	2213	19.38	58	3.50			86	1947	17.05	58	4.00	GR107 GRF107	4P	36	4609	40.37	19	0.90			42	4026	35.26	21	1.00			50	3367	29.49	20	1.20			59	2843	24.90			20	1.45	65	2583	22.62	20	1.60	73	2292	20.07	19	1.80	81	2079	18.21	19	1.95	94	1787	15.65	18	2.30	108	1560	13.66	18	2.60	127	1323	11.59	17	3.10	145	1157	10.13	16	3.50	187	897	7.86	15	3.10	221	760	6.66	15	3.70	73	2300	20.14	14	1.05	81	2083	18.24	14	1.15	91	1846	16.17	14	1.25	101	1669	14.62	13	1.30	119	1415	12.39	13	1.45	136	1237	10.83	13	1.60	158	1061	9.29	13	1.80	175	958	8.39	12	2.00	206	813	7.12	12	2.30	237	709	6.21	11	2.50	283	594	5.20	11	2.80	327	514	4.50	11	3.00	110	1528	13.38	10	0.80	123	1368	11.98	9.9	0.85	148	1135	9.94	9.7	1.00	161	1044	9.14	10	1.10	179	939	8.22	9.8	1.15	206	814	7.13	9.5	1.25	230	730	6.39	9.3	1.30	277	605	5.30	8.9	1.40	306	577	4.80	10	2.30	377	469	3.90	5.9	2.90	413	428	3.56	5.9	3.40	474	373	3.10	6.5	4.00	538	328	2.73	6.9	4.25	634	279	2.32	5.9	4.35	721	245	2.04	6.0	4.90	350	480	4.20	7.3	1.65	386	435	3.81	7.2	1.80	435	386	3.38	7.0	2.00	479	351	3.07	6.9	2.20	557	301	2.64	6.7	2.60	639	263	2.30	6.4	3.00	754	223	1.95	6.2	3.20	860	195	1.71	6.0	3.40	1021	164	1.44	5.7	3.70	404	416	3.64	5.8	1.35	445	377	3.30	5.7	1.50	503	333	2.92	5.5	1.70	557	301	2.64	5.4	1.85	656	256	2.24	5.2	2.20	750	224	1.96	5.1	2.40	896	187	1.64	4.9	2.60	1035	162	1.42	4.7	2.70	533	315	2.76	2.9	1.20	593	283	2.48	3.2	1.35	684	245	2.15	3.4	1.50	762	220	1.93	3.6	1.55	919	183	1.60	3.6	1.65	1058	159	1.39	3.5	1.75	684	245	2.15	3.4	1.50	762	220	1.93	3.6	1.55	919	183	1.60	3.6	1.65	1058	159	1.39	3.5	1.75																																																																																																																																																																																																																																															
29	5840	51.15	54	1.30			33	5098	44.65			55	1.50	39			4324	37.87	56	1.75	44			3779	33.10	57	2.00	53			3196	27.99	57	2.30	49			3425	30.00	57	2.20	60	2784	24.38	57	2.80	GR137 GRF137	4P	66	2537	22.22	58	3.00			76	2213	19.38	58	3.50			86	1947	17.05	58	4.00	GR107 GRF107	4P	36	4609	40.37	19	0.90			42	4026	35.26	21	1.00			50	3367	29.49	20	1.20			59	2843	24.90	20	1.45			65	2583	22.62	20	1.60	73	2292	20.07	19	1.80	81	2079	18.21	19	1.95	94	1787	15.65	18	2.30	108	1560	13.66	18	2.60	127	1323	11.59	17	3.10	145	1157	10.13	16	3.50	187	897	7.86	15	3.10	221	760	6.66	15	3.70	73	2300	20.14	14	1.05	81	2083	18.24	14	1.15	91	1846	16.17	14	1.25	101	1669	14.62	13	1.30	119	1415	12.39	13	1.45	136	1237	10.83	13	1.60	158	1061	9.29	13	1.80	175	958	8.39	12	2.00	206	813	7.12	12	2.30	237	709	6.21	11	2.50	283	594	5.20	11	2.80	327	514	4.50	11	3.00	110	1528	13.38	10	0.80	123	1368	11.98	9.9	0.85	148	1135	9.94	9.7	1.00	161	1044	9.14	10	1.10	179	939	8.22	9.8	1.15	206	814	7.13	9.5	1.25	230	730	6.39	9.3	1.30	277	605	5.30	8.9	1.40	306	577	4.80	10	2.30	377	469	3.90	5.9	2.90	413	428	3.56	5.9	3.40	474	373	3.10	6.5	4.00	538	328	2.73	6.9	4.25	634	279	2.32	5.9	4.35	721	245	2.04	6.0	4.90	350	480	4.20	7.3	1.65	386	435	3.81	7.2	1.80	435	386	3.38	7.0	2.00	479	351	3.07	6.9	2.20	557	301	2.64	6.7	2.60	639	263	2.30	6.4	3.00	754	223	1.95	6.2	3.20	860	195	1.71	6.0	3.40	1021	164	1.44	5.7	3.70	404	416	3.64	5.8	1.35	445	377	3.30	5.7	1.50	503	333	2.92	5.5	1.70	557	301	2.64	5.4	1.85	656	256	2.24	5.2	2.20	750	224	1.96	5.1	2.40	896	187	1.64	4.9	2.60	1035	162	1.42	4.7	2.70	533	315	2.76	2.9	1.20	593	283	2.48	3.2	1.35	684	245	2.15	3.4	1.50	762	220	1.93	3.6	1.55	919	183	1.60	3.6	1.65	1058	159	1.39	3.5	1.75	684	245	2.15	3.4	1.50	762	220	1.93	3.6	1.55	919	183	1.60	3.6	1.65	1058	159	1.39	3.5	1.75																																																																																																																																																																																																																																																						
33	5098	44.65	55	1.50			39	4324	37.87			56	1.75	44			3779	33.10	57	2.00	53			3196	27.99	57	2.30	49			3425	30.00	57	2.20	60	2784	24.38	57	2.80	GR137 GRF137	4P	66	2537	22.22	58	3.00			76	2213	19.38	58	3.50			86	1947	17.05	58	4.00	GR107 GRF107	4P	36	4609	40.37	19	0.90			42	4026	35.26	21	1.00			50	3367	29.49	20	1.20			59	2843	24.90	20	1.45			65	2583	22.62	20	1.60	73	2292	20.07	19	1.80	81	2079	18.21	19	1.95	94	1787	15.65	18	2.30	108	1560	13.66	18	2.60	127	1323	11.59	17	3.10	145	1157	10.13	16	3.50	187	897	7.86	15	3.10	221	760	6.66	15	3.70	73	2300	20.14	14	1.05	81	2083	18.24	14	1.15	91	1846	16.17	14	1.25	101	1669	14.62	13	1.30	119	1415	12.39	13	1.45	136	1237	10.83	13	1.60	158	1061	9.29	13	1.80	175	958	8.39	12	2.00	206	813	7.12	12	2.30	237	709	6.21	11	2.50	283	594	5.20	11	2.80	327	514	4.50	11	3.00	110	1528	13.38	10	0.80	123	1368	11.98	9.9	0.85	148	1135	9.94	9.7	1.00	161	1044	9.14	10	1.10	179	939	8.22	9.8	1.15	206	814	7.13	9.5	1.25	230	730	6.39	9.3	1.30	277	605	5.30	8.9	1.40	306	577	4.80	10	2.30	377	469	3.90	5.9	2.90	413	428	3.56	5.9	3.40	474	373	3.10	6.5	4.00	538	328	2.73	6.9	4.25	634	279	2.32	5.9	4.35	721	245	2.04	6.0	4.90	350	480	4.20	7.3	1.65	386	435	3.81	7.2	1.80	435	386	3.38	7.0	2.00	479	351	3.07	6.9	2.20	557	301	2.64	6.7	2.60	639	263	2.30	6.4	3.00	754	223	1.95	6.2	3.20	860	195	1.71	6.0	3.40	1021	164	1.44	5.7	3.70	404	416	3.64	5.8	1.35	445	377	3.30	5.7	1.50	503	333	2.92	5.5	1.70	557	301	2.64	5.4	1.85	656	256	2.24	5.2	2.20	750	224	1.96	5.1	2.40	896	187	1.64	4.9	2.60	1035	162	1.42	4.7	2.70	533	315	2.76	2.9	1.20	593	283	2.48	3.2	1.35	684	245	2.15	3.4	1.50	762	220	1.93	3.6	1.55	919	183	1.60	3.6	1.65	1058	159	1.39	3.5	1.75	684	245	2.15	3.4	1.50	762	220	1.93	3.6	1.55	919	183	1.60	3.6	1.65	1058	159	1.39	3.5	1.75																																																																																																																																																																																																																																																													
39	4324	37.87	56	1.75			44	3779	33.10			57	2.00	53			3196	27.99	57	2.30	49			3425	30.00	57	2.20	60	2784	24.38	57	2.80	GR137 GRF137	4P	66	2537	22.22	58	3.00			76	2213	19.38	58	3.50			86	1947	17.05	58	4.00	GR107 GRF107	4P	36	4609	40.37	19	0.90			42	4026	35.26	21	1.00			50	3367	29.49	20	1.20			59	2843	24.90	20	1.45			65	2583	22.62	20	1.60	73	2292	20.07	19	1.80	81	2079	18.21	19	1.95	94	1787	15.65	18	2.30	108	1560	13.66	18	2.60	127	1323	11.59	17	3.10	145	1157	10.13	16	3.50	187	897	7.86	15	3.10	221	760	6.66	15	3.70	73	2300	20.14	14	1.05	81	2083	18.24	14	1.15	91	1846	16.17	14	1.25	101	1669	14.62	13	1.30	119	1415	12.39	13	1.45	136	1237	10.83	13	1.60	158	1061	9.29	13	1.80	175	958	8.39	12	2.00	206	813	7.12	12	2.30	237	709	6.21	11	2.50	283	594	5.20	11	2.80	327	514	4.50	11	3.00	110	1528	13.38	10	0.80	123	1368	11.98	9.9	0.85	148	1135	9.94	9.7	1.00	161	1044	9.14	10	1.10	179	939	8.22	9.8	1.15	206	814	7.13	9.5	1.25	230	730	6.39	9.3	1.30	277	605	5.30	8.9	1.40	306	577	4.80	10	2.30	377	469	3.90	5.9	2.90	413	428	3.56	5.9	3.40	474	373	3.10	6.5	4.00	538	328	2.73	6.9	4.25	634	279	2.32	5.9	4.35	721	245	2.04	6.0	4.90	350	480	4.20	7.3	1.65	386	435	3.81	7.2	1.80	435	386	3.38	7.0	2.00	479	351	3.07	6.9	2.20	557	301	2.64	6.7	2.60	639	263	2.30	6.4	3.00	754	223	1.95	6.2	3.20	860	195	1.71	6.0	3.40	1021	164	1.44	5.7	3.70	404	416	3.64	5.8	1.35	445	377	3.30	5.7	1.50	503	333	2.92	5.5	1.70	557	301	2.64	5.4	1.85	656	256	2.24	5.2	2.20	750	224	1.96	5.1	2.40	896	187	1.64	4.9	2.60	1035	162	1.42	4.7	2.70	533	315	2.76	2.9	1.20	593	283	2.48	3.2	1.35	684	245	2.15	3.4	1.50	762	220	1.93	3.6	1.55	919	183	1.60	3.6	1.65	1058	159	1.39	3.5	1.75	684	245	2.15	3.4	1.50	762	220	1.93	3.6	1.55	919	183	1.60	3.6	1.65	1058	159	1.39	3.5	1.75																																																																																																																																																																																																																																																																				
44	3779	33.10	57	2.00			53	3196	27.99			57	2.30	49			3425	30.00	57	2.20	60	2784	24.38	57	2.80	GR137 GRF137	4P	66	2537	22.22	58	3.00			76	2213	19.38	58	3.50			86	1947	17.05	58	4.00	GR107 GRF107	4P	36	4609	40.37	19	0.90			42	4026	35.26	21	1.00			50	3367	29.49	20	1.20			59	2843	24.90	20	1.45			65	2583	22.62	20	1.60	73	2292	20.07	19	1.80	81	2079	18.21	19	1.95	94	1787	15.65	18	2.30	108	1560	13.66	18	2.60	127	1323	11.59	17	3.10	145	1157	10.13	16	3.50	187	897	7.86	15	3.10	221	760	6.66	15	3.70	73	2300	20.14	14	1.05	81	2083	18.24	14	1.15	91	1846	16.17	14	1.25	101	1669	14.62	13	1.30	119	1415	12.39	13	1.45	136	1237	10.83	13	1.60	158	1061	9.29	13	1.80	175	958	8.39	12	2.00	206	813	7.12	12	2.30	237	709	6.21	11	2.50	283	594	5.20	11	2.80	327	514	4.50	11	3.00	110	1528	13.38	10	0.80	123	1368	11.98	9.9	0.85	148	1135	9.94	9.7	1.00	161	1044	9.14	10	1.10	179	939	8.22	9.8	1.15	206	814	7.13	9.5	1.25	230	730	6.39	9.3	1.30	277	605	5.30	8.9	1.40	306	577	4.80	10	2.30	377	469	3.90	5.9	2.90	413	428	3.56	5.9	3.40	474	373	3.10	6.5	4.00	538	328	2.73	6.9	4.25	634	279	2.32	5.9	4.35	721	245	2.04	6.0	4.90	350	480	4.20	7.3	1.65	386	435	3.81	7.2	1.80	435	386	3.38	7.0	2.00	479	351	3.07	6.9	2.20	557	301	2.64	6.7	2.60	639	263	2.30	6.4	3.00	754	223	1.95	6.2	3.20	860	195	1.71	6.0	3.40	1021	164	1.44	5.7	3.70	404	416	3.64	5.8	1.35	445	377	3.30	5.7	1.50	503	333	2.92	5.5	1.70	557	301	2.64	5.4	1.85	656	256	2.24	5.2	2.20	750	224	1.96	5.1	2.40	896	187	1.64	4.9	2.60	1035	162	1.42	4.7	2.70	533	315	2.76	2.9	1.20	593	283	2.48	3.2	1.35	684	245	2.15	3.4	1.50	762	220	1.93	3.6	1.55	919	183	1.60	3.6	1.65	1058	159	1.39	3.5	1.75	684	245	2.15	3.4	1.50	762	220	1.93	3.6	1.55	919	183	1.60	3.6	1.65	1058	159	1.39	3.5	1.75																																																																																																																																																																																																																																																																											
53	3196	27.99	57	2.30			49	3425	30.00			57	2.20	60	2784	24.38	57	2.80	GR137 GRF137	4P	66	2537	22.22	58	3.00			76	2213	19.38	58	3.50			86	1947	17.05	58	4.00	GR107 GRF107	4P	36	4609	40.37	19	0.90			42	4026	35.26	21	1.00			50	3367	29.49	20	1.20			59	2843	24.90	20	1.45			65	2583	22.62	20	1.60	73	2292	20.07	19	1.80	81	2079	18.21	19	1.95	94	1787	15.65	18	2.30	108	1560	13.66	18	2.60	127	1323	11.59	17	3.10	145	1157	10.13	16	3.50	187	897	7.86	15	3.10	221	760	6.66	15	3.70	73	2300	20.14	14	1.05	81	2083	18.24	14	1.15	91	1846	16.17	14	1.25	101	1669	14.62	13	1.30	119	1415	12.39	13	1.45	136	1237	10.83	13	1.60	158	1061	9.29	13	1.80	175	958	8.39	12	2.00	206	813	7.12	12	2.30	237	709	6.21	11	2.50	283	594	5.20	11	2.80	327	514	4.50	11	3.00	110	1528	13.38	10	0.80	123	1368	11.98	9.9	0.85	148	1135	9.94	9.7	1.00	161	1044	9.14	10	1.10	179	939	8.22	9.8	1.15	206	814	7.13	9.5	1.25	230	730	6.39	9.3	1.30	277	605	5.30	8.9	1.40	306	577	4.80	10	2.30	377	469	3.90	5.9	2.90	413	428	3.56	5.9	3.40	474	373	3.10	6.5	4.00	538	328	2.73	6.9	4.25	634	279	2.32	5.9	4.35	721	245	2.04	6.0	4.90	350	480	4.20	7.3	1.65	386	435	3.81	7.2	1.80	435	386	3.38	7.0	2.00	479	351	3.07	6.9	2.20	557	301	2.64	6.7	2.60	639	263	2.30	6.4	3.00	754	223	1.95	6.2	3.20	860	195	1.71	6.0	3.40	1021	164	1.44	5.7	3.70	404	416	3.64	5.8	1.35	445	377	3.30	5.7	1.50	503	333	2.92	5.5	1.70	557	301	2.64	5.4	1.85	656	256	2.24	5.2	2.20	750	224	1.96	5.1	2.40	896	187	1.64	4.9	2.60	1035	162	1.42	4.7	2.70	533	315	2.76	2.9	1.20	593	283	2.48	3.2	1.35	684	245	2.15	3.4	1.50	762	220	1.93	3.6	1.55	919	183	1.60	3.6	1.65	1058	159	1.39	3.5	1.75	684	245	2.15	3.4	1.50	762	220	1.93	3.6	1.55	919	183	1.60	3.6	1.65	1058	159	1.39	3.5	1.75																																																																																																																																																																																																																																																																																		
49	3425	30.00	57	2.20			60	2784	24.38	57	2.80	GR137 GRF137	4P	66	2537	22.22	58	3.00			76	2213	19.38	58	3.50			86	1947	17.05	58	4.00	GR107 GRF107	4P	36	4609	40.37	19	0.90			42	4026	35.26	21	1.00			50	3367	29.49	20	1.20			59	2843	24.90	20	1.45			65	2583	22.62	20	1.60	73	2292	20.07	19	1.80	81	2079	18.21	19	1.95	94	1787	15.65	18	2.30	108	1560	13.66	18	2.60	127	1323	11.59	17	3.10	145	1157	10.13	16	3.50	187	897	7.86	15	3.10	221	760	6.66	15	3.70	73	2300	20.14	14	1.05	81	2083	18.24	14	1.15	91	1846	16.17	14	1.25	101	1669	14.62	13	1.30	119	1415	12.39	13	1.45	136	1237	10.83	13	1.60	158	1061	9.29	13	1.80	175	958	8.39	12	2.00	206	813	7.12	12	2.30	237	709	6.21	11	2.50	283	594	5.20	11	2.80	327	514	4.50	11	3.00	110	1528	13.38	10	0.80	123	1368	11.98	9.9	0.85	148	1135	9.94	9.7	1.00	161	1044	9.14	10	1.10	179	939	8.22	9.8	1.15	206	814	7.13	9.5	1.25	230	730	6.39	9.3	1.30	277	605	5.30	8.9	1.40	306	577	4.80	10	2.30	377	469	3.90	5.9	2.90	413	428	3.56	5.9	3.40	474	373	3.10	6.5	4.00	538	328	2.73	6.9	4.25	634	279	2.32	5.9	4.35	721	245	2.04	6.0	4.90	350	480	4.20	7.3	1.65	386	435	3.81	7.2	1.80	435	386	3.38	7.0	2.00	479	351	3.07	6.9	2.20	557	301	2.64	6.7	2.60	639	263	2.30	6.4	3.00	754	223	1.95	6.2	3.20	860	195	1.71	6.0	3.40	1021	164	1.44	5.7	3.70	404	416	3.64	5.8	1.35	445	377	3.30	5.7	1.50	503	333	2.92	5.5	1.70	557	301	2.64	5.4	1.85	656	256	2.24	5.2	2.20	750	224	1.96	5.1	2.40	896	187	1.64	4.9	2.60	1035	162	1.42	4.7	2.70	533	315	2.76	2.9	1.20	593	283	2.48	3.2	1.35	684	245	2.15	3.4	1.50	762	220	1.93	3.6	1.55	919	183	1.60	3.6	1.65	1058	159	1.39	3.5	1.75	684	245	2.15	3.4	1.50	762	220	1.93	3.6	1.55	919	183	1.60	3.6	1.65	1058	159	1.39	3.5	1.75																																																																																																																																																																																																																																																																																									
60	2784	24.38	57	2.80	GR137 GRF137	4P	66	2537	22.22	58	3.00			76	2213	19.38	58	3.50			86	1947	17.05	58	4.00	GR107 GRF107	4P	36	4609	40.37	19	0.90			42	4026	35.26	21	1.00			50	3367	29.49	20	1.20			59	2843	24.90	20	1.45			65	2583	22.62	20	1.60	73	2292	20.07	19	1.80	81	2079	18.21	19	1.95	94	1787	15.65	18	2.30	108	1560	13.66	18	2.60	127	1323	11.59	17	3.10	145	1157	10.13	16	3.50	187	897	7.86	15	3.10	221	760	6.66	15	3.70	73	2300	20.14	14	1.05	81	2083	18.24	14	1.15	91	1846	16.17	14	1.25	101	1669	14.62	13	1.30	119	1415	12.39	13	1.45	136	1237	10.83	13	1.60	158	1061	9.29	13	1.80	175	958	8.39	12	2.00	206	813	7.12	12	2.30	237	709	6.21	11	2.50	283	594	5.20	11	2.80	327	514	4.50	11	3.00	110	1528	13.38	10	0.80	123	1368	11.98	9.9	0.85	148	1135	9.94	9.7	1.00	161	1044	9.14	10	1.10	179	939	8.22	9.8	1.15	206	814	7.13	9.5	1.25	230	730	6.39	9.3	1.30	277	605	5.30	8.9	1.40	306	577	4.80	10	2.30	377	469	3.90	5.9	2.90	413	428	3.56	5.9	3.40	474	373	3.10	6.5	4.00	538	328	2.73	6.9	4.25	634	279	2.32	5.9	4.35	721	245	2.04	6.0	4.90	350	480	4.20	7.3	1.65	386	435	3.81	7.2	1.80	435	386	3.38	7.0	2.00	479	351	3.07	6.9	2.20	557	301	2.64	6.7	2.60	639	263	2.30	6.4	3.00	754	223	1.95	6.2	3.20	860	195	1.71	6.0	3.40	1021	164	1.44	5.7	3.70	404	416	3.64	5.8	1.35	445	377	3.30	5.7	1.50	503	333	2.92	5.5	1.70	557	301	2.64	5.4	1.85	656	256	2.24	5.2	2.20	750	224	1.96	5.1	2.40	896	187	1.64	4.9	2.60	1035	162	1.42	4.7	2.70	533	315	2.76	2.9	1.20	593	283	2.48	3.2	1.35	684	245	2.15	3.4	1.50	762	220	1.93	3.6	1.55	919	183	1.60	3.6	1.65	1058	159	1.39	3.5	1.75	684	245	2.15	3.4	1.50	762	220	1.93	3.6	1.55	919	183	1.60	3.6	1.65	1058	159	1.39	3.5	1.75																																																																																																																																																																																																																																																																																																
66	2537	22.22	58	3.00			76	2213	19.38	58	3.50			86	1947	17.05	58	4.00	GR107 GRF107	4P	36	4609	40.37	19	0.90			42	4026	35.26	21	1.00			50	3367	29.49	20	1.20			59	2843	24.90	20	1.45			65	2583	22.62	20	1.60	73	2292	20.07	19	1.80	81	2079	18.21	19	1.95	94	1787	15.65	18	2.30	108	1560	13.66	18	2.60	127	1323	11.59	17	3.10	145	1157	10.13	16	3.50	187	897	7.86	15	3.10	221	760	6.66	15	3.70	73	2300	20.14	14	1.05	81	2083	18.24	14	1.15	91	1846	16.17	14	1.25	101	1669	14.62	13	1.30	119	1415	12.39	13	1.45	136	1237	10.83	13	1.60	158	1061	9.29	13	1.80	175	958	8.39	12	2.00	206	813	7.12	12	2.30	237	709	6.21	11	2.50	283	594	5.20	11	2.80	327	514	4.50	11	3.00	110	1528	13.38	10	0.80	123	1368	11.98	9.9	0.85	148	1135	9.94	9.7	1.00	161	1044	9.14	10	1.10	179	939	8.22	9.8	1.15	206	814	7.13	9.5	1.25	230	730	6.39	9.3	1.30	277	605	5.30	8.9	1.40	306	577	4.80	10	2.30	377	469	3.90	5.9	2.90	413	428	3.56	5.9	3.40	474	373	3.10	6.5	4.00	538	328	2.73	6.9	4.25	634	279	2.32	5.9	4.35	721	245	2.04	6.0	4.90	350	480	4.20	7.3	1.65	386	435	3.81	7.2	1.80	435	386	3.38	7.0	2.00	479	351	3.07	6.9	2.20	557	301	2.64	6.7	2.60	639	263	2.30	6.4	3.00	754	223	1.95	6.2	3.20	860	195	1.71	6.0	3.40	1021	164	1.44	5.7	3.70	404	416	3.64	5.8	1.35	445	377	3.30	5.7	1.50	503	333	2.92	5.5	1.70	557	301	2.64	5.4	1.85	656	256	2.24	5.2	2.20	750	224	1.96	5.1	2.40	896	187	1.64	4.9	2.60	1035	162	1.42	4.7	2.70	533	315	2.76	2.9	1.20	593	283	2.48	3.2	1.35	684	245	2.15	3.4	1.50	762	220	1.93	3.6	1.55	919	183	1.60	3.6	1.65	1058	159	1.39	3.5	1.75	684	245	2.15	3.4	1.50	762	220	1.93	3.6	1.55	919	183	1.60	3.6	1.65	1058	159	1.39	3.5	1.75																																																																																																																																																																																																																																																																																																							
76	2213	19.38	58	3.50			86	1947	17.05	58	4.00	GR107 GRF107	4P	36	4609	40.37	19	0.90			42	4026	35.26	21	1.00			50	3367	29.49	20	1.20			59	2843	24.90	20	1.45			65	2583	22.62	20	1.60	73	2292	20.07	19	1.80	81	2079	18.21	19	1.95	94	1787	15.65	18	2.30	108	1560	13.66	18	2.60	127	1323	11.59	17	3.10	145	1157	10.13	16	3.50	187	897	7.86	15	3.10	221	760	6.66	15	3.70	73	2300	20.14	14	1.05	81	2083	18.24	14	1.15	91	1846	16.17	14	1.25	101	1669	14.62	13	1.30	119	1415	12.39	13	1.45	136	1237	10.83	13	1.60	158	1061	9.29	13	1.80	175	958	8.39	12	2.00	206	813	7.12	12	2.30	237	709	6.21	11	2.50	283	594	5.20	11	2.80	327	514	4.50	11	3.00	110	1528	13.38	10	0.80	123	1368	11.98	9.9	0.85	148	1135	9.94	9.7	1.00	161	1044	9.14	10	1.10	179	939	8.22	9.8	1.15	206	814	7.13	9.5	1.25	230	730	6.39	9.3	1.30	277	605	5.30	8.9	1.40	306	577	4.80	10	2.30	377	469	3.90	5.9	2.90	413	428	3.56	5.9	3.40	474	373	3.10	6.5	4.00	538	328	2.73	6.9	4.25	634	279	2.32	5.9	4.35	721	245	2.04	6.0	4.90	350	480	4.20	7.3	1.65	386	435	3.81	7.2	1.80	435	386	3.38	7.0	2.00	479	351	3.07	6.9	2.20	557	301	2.64	6.7	2.60	639	263	2.30	6.4	3.00	754	223	1.95	6.2	3.20	860	195	1.71	6.0	3.40	1021	164	1.44	5.7	3.70	404	416	3.64	5.8	1.35	445	377	3.30	5.7	1.50	503	333	2.92	5.5	1.70	557	301	2.64	5.4	1.85	656	256	2.24	5.2	2.20	750	224	1.96	5.1	2.40	896	187	1.64	4.9	2.60	1035	162	1.42	4.7	2.70	533	315	2.76	2.9	1.20	593	283	2.48	3.2	1.35	684	245	2.15	3.4	1.50	762	220	1.93	3.6	1.55	919	183	1.60	3.6	1.65	1058	159	1.39	3.5	1.75	684	245	2.15	3.4	1.50	762	220	1.93	3.6	1.55	919	183	1.60	3.6	1.65	1058	159	1.39	3.5	1.75																																																																																																																																																																																																																																																																																																														
86	1947	17.05	58	4.00	GR107 GRF107	4P	36	4609	40.37	19	0.90			42	4026	35.26	21	1.00			50	3367	29.49	20	1.20			59	2843	24.90	20	1.45			65	2583	22.62	20	1.60	73	2292	20.07	19	1.80	81	2079	18.21	19	1.95	94	1787	15.65	18	2.30	108	1560	13.66	18	2.60	127	1323	11.59	17	3.10	145	1157	10.13	16	3.50	187	897	7.86	15	3.10	221	760	6.66	15	3.70	73	2300	20.14	14	1.05	81	2083	18.24	14	1.15	91	1846	16.17	14	1.25	101	1669	14.62	13	1.30	119	1415	12.39	13	1.45	136	1237	10.83	13	1.60	158	1061	9.29	13	1.80	175	958	8.39	12	2.00	206	813	7.12	12	2.30	237	709	6.21	11	2.50	283	594	5.20	11	2.80	327	514	4.50	11	3.00	110	1528	13.38	10	0.80	123	1368	11.98	9.9	0.85	148	1135	9.94	9.7	1.00	161	1044	9.14	10	1.10	179	939	8.22	9.8	1.15	206	814	7.13	9.5	1.25	230	730	6.39	9.3	1.30	277	605	5.30	8.9	1.40	306	577	4.80	10	2.30	377	469	3.90	5.9	2.90	413	428	3.56	5.9	3.40	474	373	3.10	6.5	4.00	538	328	2.73	6.9	4.25	634	279	2.32	5.9	4.35	721	245	2.04	6.0	4.90	350	480	4.20	7.3	1.65	386	435	3.81	7.2	1.80	435	386	3.38	7.0	2.00	479	351	3.07	6.9	2.20	557	301	2.64	6.7	2.60	639	263	2.30	6.4	3.00	754	223	1.95	6.2	3.20	860	195	1.71	6.0	3.40	1021	164	1.44	5.7	3.70	404	416	3.64	5.8	1.35	445	377	3.30	5.7	1.50	503	333	2.92	5.5	1.70	557	301	2.64	5.4	1.85	656	256	2.24	5.2	2.20	750	224	1.96	5.1	2.40	896	187	1.64	4.9	2.60	1035	162	1.42	4.7	2.70	533	315	2.76	2.9	1.20	593	283	2.48	3.2	1.35	684	245	2.15	3.4	1.50	762	220	1.93	3.6	1.55	919	183	1.60	3.6	1.65	1058	159	1.39	3.5	1.75	684	245	2.15	3.4	1.50	762	220	1.93	3.6	1.55	919	183	1.60	3.6	1.65	1058	159	1.39	3.5	1.75																																																																																																																																																																																																																																																																																																																					
36	4609	40.37	19	0.90			42	4026	35.26	21	1.00			50	3367	29.49	20	1.20			59	2843	24.90	20	1.45			65	2583	22.62	20	1.60	73	2292	20.07	19	1.80	81	2079	18.21	19	1.95	94	1787	15.65	18	2.30	108	1560	13.66	18	2.60	127	1323	11.59	17	3.10	145	1157	10.13	16	3.50	187	897	7.86	15	3.10	221	760	6.66	15	3.70	73	2300	20.14	14	1.05	81	2083	18.24	14	1.15	91	1846	16.17	14	1.25	101	1669	14.62	13	1.30	119	1415	12.39	13	1.45	136	1237	10.83	13	1.60	158	1061	9.29	13	1.80	175	958	8.39	12	2.00	206	813	7.12	12	2.30	237	709	6.21	11	2.50	283	594	5.20	11	2.80	327	514	4.50	11	3.00	110	1528	13.38	10	0.80	123	1368	11.98	9.9	0.85	148	1135	9.94	9.7	1.00	161	1044	9.14	10	1.10	179	939	8.22	9.8	1.15	206	814	7.13	9.5	1.25	230	730	6.39	9.3	1.30	277	605	5.30	8.9	1.40	306	577	4.80	10	2.30	377	469	3.90	5.9	2.90	413	428	3.56	5.9	3.40	474	373	3.10	6.5	4.00	538	328	2.73	6.9	4.25	634	279	2.32	5.9	4.35	721	245	2.04	6.0	4.90	350	480	4.20	7.3	1.65	386	435	3.81	7.2	1.80	435	386	3.38	7.0	2.00	479	351	3.07	6.9	2.20	557	301	2.64	6.7	2.60	639	263	2.30	6.4	3.00	754	223	1.95	6.2	3.20	860	195	1.71	6.0	3.40	1021	164	1.44	5.7	3.70	404	416	3.64	5.8	1.35	445	377	3.30	5.7	1.50	503	333	2.92	5.5	1.70	557	301	2.64	5.4	1.85	656	256	2.24	5.2	2.20	750	224	1.96	5.1	2.40	896	187	1.64	4.9	2.60	1035	162	1.42	4.7	2.70	533	315	2.76	2.9	1.20	593	283	2.48	3.2	1.35	684	245	2.15	3.4	1.50	762	220	1.93	3.6	1.55	919	183	1.60	3.6	1.65	1058	159	1.39	3.5	1.75	684	245	2.15	3.4	1.50	762	220	1.93	3.6	1.55	919	183	1.60	3.6	1.65	1058	159	1.39	3.5	1.75																																																																																																																																																																																																																																																																																																																												
42	4026	35.26	21	1.00			50	3367	29.49	20	1.20			59	2843	24.90	20	1.45			65	2583	22.62	20	1.60	73	2292	20.07	19	1.80	81	2079	18.21	19	1.95	94	1787	15.65	18	2.30	108	1560	13.66	18	2.60	127	1323	11.59	17	3.10	145	1157	10.13	16	3.50	187	897	7.86	15	3.10	221	760	6.66	15	3.70	73	2300	20.14	14	1.05	81	2083	18.24	14	1.15	91	1846	16.17	14	1.25	101	1669	14.62	13	1.30	119	1415	12.39	13	1.45	136	1237	10.83	13	1.60	158	1061	9.29	13	1.80	175	958	8.39	12	2.00	206	813	7.12	12	2.30	237	709	6.21	11	2.50	283	594	5.20	11	2.80	327	514	4.50	11	3.00	110	1528	13.38	10	0.80	123	1368	11.98	9.9	0.85	148	1135	9.94	9.7	1.00	161	1044	9.14	10	1.10	179	939	8.22	9.8	1.15	206	814	7.13	9.5	1.25	230	730	6.39	9.3	1.30	277	605	5.30	8.9	1.40	306	577	4.80	10	2.30	377	469	3.90	5.9	2.90	413	428	3.56	5.9	3.40	474	373	3.10	6.5	4.00	538	328	2.73	6.9	4.25	634	279	2.32	5.9	4.35	721	245	2.04	6.0	4.90	350	480	4.20	7.3	1.65	386	435	3.81	7.2	1.80	435	386	3.38	7.0	2.00	479	351	3.07	6.9	2.20	557	301	2.64	6.7	2.60	639	263	2.30	6.4	3.00	754	223	1.95	6.2	3.20	860	195	1.71	6.0	3.40	1021	164	1.44	5.7	3.70	404	416	3.64	5.8	1.35	445	377	3.30	5.7	1.50	503	333	2.92	5.5	1.70	557	301	2.64	5.4	1.85	656	256	2.24	5.2	2.20	750	224	1.96	5.1	2.40	896	187	1.64	4.9	2.60	1035	162	1.42	4.7	2.70	533	315	2.76	2.9	1.20	593	283	2.48	3.2	1.35	684	245	2.15	3.4	1.50	762	220	1.93	3.6	1.55	919	183	1.60	3.6	1.65	1058	159	1.39	3.5	1.75	684	245	2.15	3.4	1.50	762	220	1.93	3.6	1.55	919	183	1.60	3.6	1.65	1058	159	1.39	3.5	1.75																																																																																																																																																																																																																																																																																																																																			
50	3367	29.49	20	1.20			59	2843	24.90	20	1.45			65	2583	22.62	20	1.60	73	2292	20.07	19	1.80	81	2079	18.21	19	1.95	94	1787	15.65	18	2.30	108	1560	13.66	18	2.60	127	1323	11.59	17	3.10	145	1157	10.13	16	3.50	187	897	7.86	15	3.10	221	760	6.66	15	3.70	73	2300	20.14	14	1.05	81	2083	18.24	14	1.15	91	1846	16.17	14	1.25	101	1669	14.62	13	1.30	119	1415	12.39	13	1.45	136	1237	10.83	13	1.60	158	1061	9.29	13	1.80	175	958	8.39	12	2.00	206	813	7.12	12	2.30	237	709	6.21	11	2.50	283	594	5.20	11	2.80	327	514	4.50	11	3.00	110	1528	13.38	10	0.80	123	1368	11.98	9.9	0.85	148	1135	9.94	9.7	1.00	161	1044	9.14	10	1.10	179	939	8.22	9.8	1.15	206	814	7.13	9.5	1.25	230	730	6.39	9.3	1.30	277	605	5.30	8.9	1.40	306	577	4.80	10	2.30	377	469	3.90	5.9	2.90	413	428	3.56	5.9	3.40	474	373	3.10	6.5	4.00	538	328	2.73	6.9	4.25	634	279	2.32	5.9	4.35	721	245	2.04	6.0	4.90	350	480	4.20	7.3	1.65	386	435	3.81	7.2	1.80	435	386	3.38	7.0	2.00	479	351	3.07	6.9	2.20	557	301	2.64	6.7	2.60	639	263	2.30	6.4	3.00	754	223	1.95	6.2	3.20	860	195	1.71	6.0	3.40	1021	164	1.44	5.7	3.70	404	416	3.64	5.8	1.35	445	377	3.30	5.7	1.50	503	333	2.92	5.5	1.70	557	301	2.64	5.4	1.85	656	256	2.24	5.2	2.20	750	224	1.96	5.1	2.40	896	187	1.64	4.9	2.60	1035	162	1.42	4.7	2.70	533	315	2.76	2.9	1.20	593	283	2.48	3.2	1.35	684	245	2.15	3.4	1.50	762	220	1.93	3.6	1.55	919	183	1.60	3.6	1.65	1058	159	1.39	3.5	1.75	684	245	2.15	3.4	1.50	762	220	1.93	3.6	1.55	919	183	1.60	3.6	1.65	1058	159	1.39	3.5	1.75																																																																																																																																																																																																																																																																																																																																										
59	2843	24.90	20	1.45			65	2583	22.62	20	1.60	73	2292	20.07	19	1.80	81	2079	18.21	19	1.95	94	1787	15.65	18	2.30	108	1560	13.66	18	2.60	127	1323	11.59	17	3.10	145	1157	10.13	16	3.50	187	897	7.86	15	3.10	221	760	6.66	15	3.70	73	2300	20.14	14	1.05	81	2083	18.24	14	1.15	91	1846	16.17	14	1.25	101	1669	14.62	13	1.30	119	1415	12.39	13	1.45	136	1237	10.83	13	1.60	158	1061	9.29	13	1.80	175	958	8.39	12	2.00	206	813	7.12	12	2.30	237	709	6.21	11	2.50	283	594	5.20	11	2.80	327	514	4.50	11	3.00	110	1528	13.38	10	0.80	123	1368	11.98	9.9	0.85	148	1135	9.94	9.7	1.00	161	1044	9.14	10	1.10	179	939	8.22	9.8	1.15	206	814	7.13	9.5	1.25	230	730	6.39	9.3	1.30	277	605	5.30	8.9	1.40	306	577	4.80	10	2.30	377	469	3.90	5.9	2.90	413	428	3.56	5.9	3.40	474	373	3.10	6.5	4.00	538	328	2.73	6.9	4.25	634	279	2.32	5.9	4.35	721	245	2.04	6.0	4.90	350	480	4.20	7.3	1.65	386	435	3.81	7.2	1.80	435	386	3.38	7.0	2.00	479	351	3.07	6.9	2.20	557	301	2.64	6.7	2.60	639	263	2.30	6.4	3.00	754	223	1.95	6.2	3.20	860	195	1.71	6.0	3.40	1021	164	1.44	5.7	3.70	404	416	3.64	5.8	1.35	445	377	3.30	5.7	1.50	503	333	2.92	5.5	1.70	557	301	2.64	5.4	1.85	656	256	2.24	5.2	2.20	750	224	1.96	5.1	2.40	896	187	1.64	4.9	2.60	1035	162	1.42	4.7	2.70	533	315	2.76	2.9	1.20	593	283	2.48	3.2	1.35	684	245	2.15	3.4	1.50	762	220	1.93	3.6	1.55	919	183	1.60	3.6	1.65	1058	159	1.39	3.5	1.75	684	245	2.15	3.4	1.50	762	220	1.93	3.6	1.55	919	183	1.60	3.6	1.65	1058	159	1.39	3.5	1.75																																																																																																																																																																																																																																																																																																																																																	
65	2583	22.62	20	1.60	73	2292	20.07	19	1.80	81	2079	18.21	19	1.95	94	1787	15.65	18	2.30	108	1560	13.66	18	2.60	127	1323	11.59	17	3.10	145	1157	10.13	16	3.50	187	897	7.86	15	3.10	221	760	6.66	15	3.70	73	2300	20.14	14	1.05	81	2083	18.24	14	1.15	91	1846	16.17	14	1.25	101	1669	14.62	13	1.30	119	1415	12.39	13	1.45	136	1237	10.83	13	1.60	158	1061	9.29	13	1.80	175	958	8.39	12	2.00	206	813	7.12	12	2.30	237	709	6.21	11	2.50	283	594	5.20	11	2.80	327	514	4.50	11	3.00	110	1528	13.38	10	0.80	123	1368	11.98	9.9	0.85	148	1135	9.94	9.7	1.00	161	1044	9.14	10	1.10	179	939	8.22	9.8	1.15	206	814	7.13	9.5	1.25	230	730	6.39	9.3	1.30	277	605	5.30	8.9	1.40	306	577	4.80	10	2.30	377	469	3.90	5.9	2.90	413	428	3.56	5.9	3.40	474	373	3.10	6.5	4.00	538	328	2.73	6.9	4.25	634	279	2.32	5.9	4.35	721	245	2.04	6.0	4.90	350	480	4.20	7.3	1.65	386	435	3.81	7.2	1.80	435	386	3.38	7.0	2.00	479	351	3.07	6.9	2.20	557	301	2.64	6.7	2.60	639	263	2.30	6.4	3.00	754	223	1.95	6.2	3.20	860	195	1.71	6.0	3.40	1021	164	1.44	5.7	3.70	404	416	3.64	5.8	1.35	445	377	3.30	5.7	1.50	503	333	2.92	5.5	1.70	557	301	2.64	5.4	1.85	656	256	2.24	5.2	2.20	750	224	1.96	5.1	2.40	896	187	1.64	4.9	2.60	1035	162	1.42	4.7	2.70	533	315	2.76	2.9	1.20	593	283	2.48	3.2	1.35	684	245	2.15	3.4	1.50	762	220	1.93	3.6	1.55	919	183	1.60	3.6	1.65	1058	159	1.39	3.5	1.75	684	245	2.15	3.4	1.50	762	220	1.93	3.6	1.55	919	183	1.60	3.6	1.65	1058	159	1.39	3.5	1.75																																																																																																																																																																																																																																																																																																																																																								
73	2292	20.07	19	1.80	81	2079	18.21	19	1.95	94	1787	15.65	18	2.30	108	1560	13.66	18	2.60	127	1323	11.59	17	3.10	145	1157	10.13	16	3.50	187	897	7.86	15	3.10	221	760	6.66	15	3.70	73	2300	20.14	14	1.05	81	2083	18.24	14	1.15	91	1846	16.17	14	1.25	101	1669	14.62	13	1.30	119	1415	12.39	13	1.45	136	1237	10.83	13	1.60	158	1061	9.29	13	1.80	175	958	8.39	12	2.00	206	813	7.12	12	2.30	237	709	6.21	11	2.50	283	594	5.20	11	2.80	327	514	4.50	11	3.00	110	1528	13.38	10	0.80	123	1368	11.98	9.9	0.85	148	1135	9.94	9.7	1.00	161	1044	9.14	10	1.10	179	939	8.22	9.8	1.15	206	814	7.13	9.5	1.25	230	730	6.39	9.3	1.30	277	605	5.30	8.9	1.40	306	577	4.80	10	2.30	377	469	3.90	5.9	2.90	413	428	3.56	5.9	3.40	474	373	3.10	6.5	4.00	538	328	2.73	6.9	4.25	634	279	2.32	5.9	4.35	721	245	2.04	6.0	4.90	350	480	4.20	7.3	1.65	386	435	3.81	7.2	1.80	435	386	3.38	7.0	2.00	479	351	3.07	6.9	2.20	557	301	2.64	6.7	2.60	639	263	2.30	6.4	3.00	754	223	1.95	6.2	3.20	860	195	1.71	6.0	3.40	1021	164	1.44	5.7	3.70	404	416	3.64	5.8	1.35	445	377	3.30	5.7	1.50	503	333	2.92	5.5	1.70	557	301	2.64	5.4	1.85	656	256	2.24	5.2	2.20	750	224	1.96	5.1	2.40	896	187	1.64	4.9	2.60	1035	162	1.42	4.7	2.70	533	315	2.76	2.9	1.20	593	283	2.48	3.2	1.35	684	245	2.15	3.4	1.50	762	220	1.93	3.6	1.55	919	183	1.60	3.6	1.65	1058	159	1.39	3.5	1.75	684	245	2.15	3.4	1.50	762	220	1.93	3.6	1.55	919	183	1.60	3.6	1.65	1058	159	1.39	3.5	1.75																																																																																																																																																																																																																																																																																																																																																													
81	2079	18.21	19	1.95	94	1787	15.65	18	2.30	108	1560	13.66	18	2.60	127	1323	11.59	17	3.10	145	1157	10.13	16	3.50	187	897	7.86	15	3.10	221	760	6.66	15	3.70	73	2300	20.14	14	1.05	81	2083	18.24	14	1.15	91	1846	16.17	14	1.25	101	1669	14.62	13	1.30	119	1415	12.39	13	1.45	136	1237	10.83	13	1.60	158	1061	9.29	13	1.80	175	958	8.39	12	2.00	206	813	7.12	12	2.30	237	709	6.21	11	2.50	283	594	5.20	11	2.80	327	514	4.50	11	3.00	110	1528	13.38	10	0.80	123	1368	11.98	9.9	0.85	148	1135	9.94	9.7	1.00	161	1044	9.14	10	1.10	179	939	8.22	9.8	1.15	206	814	7.13	9.5	1.25	230	730	6.39	9.3	1.30	277	605	5.30	8.9	1.40	306	577	4.80	10	2.30	377	469	3.90	5.9	2.90	413	428	3.56	5.9	3.40	474	373	3.10	6.5	4.00	538	328	2.73	6.9	4.25	634	279	2.32	5.9	4.35	721	245	2.04	6.0	4.90	350	480	4.20	7.3	1.65	386	435	3.81	7.2	1.80	435	386	3.38	7.0	2.00	479	351	3.07	6.9	2.20	557	301	2.64	6.7	2.60	639	263	2.30	6.4	3.00	754	223	1.95	6.2	3.20	860	195	1.71	6.0	3.40	1021	164	1.44	5.7	3.70	404	416	3.64	5.8	1.35	445	377	3.30	5.7	1.50	503	333	2.92	5.5	1.70	557	301	2.64	5.4	1.85	656	256	2.24	5.2	2.20	750	224	1.96	5.1	2.40	896	187	1.64	4.9	2.60	1035	162	1.42	4.7	2.70	533	315	2.76	2.9	1.20	593	283	2.48	3.2	1.35	684	245	2.15	3.4	1.50	762	220	1.93	3.6	1.55	919	183	1.60	3.6	1.65	1058	159	1.39	3.5	1.75	684	245	2.15	3.4	1.50	762	220	1.93	3.6	1.55	919	183	1.60	3.6	1.65	1058	159	1.39	3.5	1.75																																																																																																																																																																																																																																																																																																																																																																		
94	1787	15.65	18	2.30	108	1560	13.66	18	2.60	127	1323	11.59	17	3.10	145	1157	10.13	16	3.50	187	897	7.86	15	3.10	221	760	6.66	15	3.70	73	2300	20.14	14	1.05	81	2083	18.24	14	1.15	91	1846	16.17	14	1.25	101	1669	14.62	13	1.30	119	1415	12.39	13	1.45	136	1237	10.83	13	1.60	158	1061	9.29	13	1.80	175	958	8.39	12	2.00	206	813	7.12	12	2.30	237	709	6.21	11	2.50	283	594	5.20	11	2.80	327	514	4.50	11	3.00	110	1528	13.38	10	0.80	123	1368	11.98	9.9	0.85	148	1135	9.94	9.7	1.00	161	1044	9.14	10	1.10	179	939	8.22	9.8	1.15	206	814	7.13	9.5	1.25	230	730	6.39	9.3	1.30	277	605	5.30	8.9	1.40	306	577	4.80	10	2.30	377	469	3.90	5.9	2.90	413	428	3.56	5.9	3.40	474	373	3.10	6.5	4.00	538	328	2.73	6.9	4.25	634	279	2.32	5.9	4.35	721	245	2.04	6.0	4.90	350	480	4.20	7.3	1.65	386	435	3.81	7.2	1.80	435	386	3.38	7.0	2.00	479	351	3.07	6.9	2.20	557	301	2.64	6.7	2.60	639	263	2.30	6.4	3.00	754	223	1.95	6.2	3.20	860	195	1.71	6.0	3.40	1021	164	1.44	5.7	3.70	404	416	3.64	5.8	1.35	445	377	3.30	5.7	1.50	503	333	2.92	5.5	1.70	557	301	2.64	5.4	1.85	656	256	2.24	5.2	2.20	750	224	1.96	5.1	2.40	896	187	1.64	4.9	2.60	1035	162	1.42	4.7	2.70	533	315	2.76	2.9	1.20	593	283	2.48	3.2	1.35	684	245	2.15	3.4	1.50	762	220	1.93	3.6	1.55	919	183	1.60	3.6	1.65	1058	159	1.39	3.5	1.75	684	245	2.15	3.4	1.50	762	220	1.93	3.6	1.55	919	183	1.60	3.6	1.65	1058	159	1.39	3.5	1.75																																																																																																																																																																																																																																																																																																																																																																							
108	1560	13.66	18	2.60	127	1323	11.59	17	3.10	145	1157	10.13	16	3.50	187	897	7.86	15	3.10	221	760	6.66	15	3.70	73	2300	20.14	14	1.05	81	2083	18.24	14	1.15	91	1846	16.17	14	1.25	101	1669	14.62	13	1.30	119	1415	12.39	13	1.45	136	1237	10.83	13	1.60	158	1061	9.29	13	1.80	175	958	8.39	12	2.00	206	813	7.12	12	2.30	237	709	6.21	11	2.50	283	594	5.20	11	2.80	327	514	4.50	11	3.00	110	1528	13.38	10	0.80	123	1368	11.98	9.9	0.85	148	1135	9.94	9.7	1.00	161	1044	9.14	10	1.10	179	939	8.22	9.8	1.15	206	814	7.13	9.5	1.25	230	730	6.39	9.3	1.30	277	605	5.30	8.9	1.40	306	577	4.80	10	2.30	377	469	3.90	5.9	2.90	413	428	3.56	5.9	3.40	474	373	3.10	6.5	4.00	538	328	2.73	6.9	4.25	634	279	2.32	5.9	4.35	721	245	2.04	6.0	4.90	350	480	4.20	7.3	1.65	386	435	3.81	7.2	1.80	435	386	3.38	7.0	2.00	479	351	3.07	6.9	2.20	557	301	2.64	6.7	2.60	639	263	2.30	6.4	3.00	754	223	1.95	6.2	3.20	860	195	1.71	6.0	3.40	1021	164	1.44	5.7	3.70	404	416	3.64	5.8	1.35	445	377	3.30	5.7	1.50	503	333	2.92	5.5	1.70	557	301	2.64	5.4	1.85	656	256	2.24	5.2	2.20	750	224	1.96	5.1	2.40	896	187	1.64	4.9	2.60	1035	162	1.42	4.7	2.70	533	315	2.76	2.9	1.20	593	283	2.48	3.2	1.35	684	245	2.15	3.4	1.50	762	220	1.93	3.6	1.55	919	183	1.60	3.6	1.65	1058	159	1.39	3.5	1.75	684	245	2.15	3.4	1.50	762	220	1.93	3.6	1.55	919	183	1.60	3.6	1.65	1058	159	1.39	3.5	1.75																																																																																																																																																																																																																																																																																																																																																																												
127	1323	11.59	17	3.10	145	1157	10.13	16	3.50	187	897	7.86	15	3.10	221	760	6.66	15	3.70	73	2300	20.14	14	1.05	81	2083	18.24	14	1.15	91	1846	16.17	14	1.25	101	1669	14.62	13	1.30	119	1415	12.39	13	1.45	136	1237	10.83	13	1.60	158	1061	9.29	13	1.80	175	958	8.39	12	2.00	206	813	7.12	12	2.30	237	709	6.21	11	2.50	283	594	5.20	11	2.80	327	514	4.50	11	3.00	110	1528	13.38	10	0.80	123	1368	11.98	9.9	0.85	148	1135	9.94	9.7	1.00	161	1044	9.14	10	1.10	179	939	8.22	9.8	1.15	206	814	7.13	9.5	1.25	230	730	6.39	9.3	1.30	277	605	5.30	8.9	1.40	306	577	4.80	10	2.30	377	469	3.90	5.9	2.90	413	428	3.56	5.9	3.40	474	373	3.10	6.5	4.00	538	328	2.73	6.9	4.25	634	279	2.32	5.9	4.35	721	245	2.04	6.0	4.90	350	480	4.20	7.3	1.65	386	435	3.81	7.2	1.80	435	386	3.38	7.0	2.00	479	351	3.07	6.9	2.20	557	301	2.64	6.7	2.60	639	263	2.30	6.4	3.00	754	223	1.95	6.2	3.20	860	195	1.71	6.0	3.40	1021	164	1.44	5.7	3.70	404	416	3.64	5.8	1.35	445	377	3.30	5.7	1.50	503	333	2.92	5.5	1.70	557	301	2.64	5.4	1.85	656	256	2.24	5.2	2.20	750	224	1.96	5.1	2.40	896	187	1.64	4.9	2.60	1035	162	1.42	4.7	2.70	533	315	2.76	2.9	1.20	593	283	2.48	3.2	1.35	684	245	2.15	3.4	1.50	762	220	1.93	3.6	1.55	919	183	1.60	3.6	1.65	1058	159	1.39	3.5	1.75	684	245	2.15	3.4	1.50	762	220	1.93	3.6	1.55	919	183	1.60	3.6	1.65	1058	159	1.39	3.5	1.75																																																																																																																																																																																																																																																																																																																																																																																	
145	1157	10.13	16	3.50	187	897	7.86	15	3.10	221	760	6.66	15	3.70	73	2300	20.14	14	1.05	81	2083	18.24	14	1.15	91	1846	16.17	14	1.25	101	1669	14.62	13	1.30	119	1415	12.39	13	1.45	136	1237	10.83	13	1.60	158	1061	9.29	13	1.80	175	958	8.39	12	2.00	206	813	7.12	12	2.30	237	709	6.21	11	2.50	283	594	5.20	11	2.80	327	514	4.50	11	3.00	110	1528	13.38	10	0.80	123	1368	11.98	9.9	0.85	148	1135	9.94	9.7	1.00	161	1044	9.14	10	1.10	179	939	8.22	9.8	1.15	206	814	7.13	9.5	1.25	230	730	6.39	9.3	1.30	277	605	5.30	8.9	1.40	306	577	4.80	10	2.30	377	469	3.90	5.9	2.90	413	428	3.56	5.9	3.40	474	373	3.10	6.5	4.00	538	328	2.73	6.9	4.25	634	279	2.32	5.9	4.35	721	245	2.04	6.0	4.90	350	480	4.20	7.3	1.65	386	435	3.81	7.2	1.80	435	386	3.38	7.0	2.00	479	351	3.07	6.9	2.20	557	301	2.64	6.7	2.60	639	263	2.30	6.4	3.00	754	223	1.95	6.2	3.20	860	195	1.71	6.0	3.40	1021	164	1.44	5.7	3.70	404	416	3.64	5.8	1.35	445	377	3.30	5.7	1.50	503	333	2.92	5.5	1.70	557	301	2.64	5.4	1.85	656	256	2.24	5.2	2.20	750	224	1.96	5.1	2.40	896	187	1.64	4.9	2.60	1035	162	1.42	4.7	2.70	533	315	2.76	2.9	1.20	593	283	2.48	3.2	1.35	684	245	2.15	3.4	1.50	762	220	1.93	3.6	1.55	919	183	1.60	3.6	1.65	1058	159	1.39	3.5	1.75	684	245	2.15	3.4	1.50	762	220	1.93	3.6	1.55	919	183	1.60	3.6	1.65	1058	159	1.39	3.5	1.75																																																																																																																																																																																																																																																																																																																																																																																						
187	897	7.86	15	3.10	221	760	6.66	15	3.70	73	2300	20.14	14	1.05	81	2083	18.24	14	1.15	91	1846	16.17	14	1.25	101	1669	14.62	13	1.30	119	1415	12.39	13	1.45	136	1237	10.83	13	1.60	158	1061	9.29	13	1.80	175	958	8.39	12	2.00	206	813	7.12	12	2.30	237	709	6.21	11	2.50	283	594	5.20	11	2.80	327	514	4.50	11	3.00	110	1528	13.38	10	0.80	123	1368	11.98	9.9	0.85	148	1135	9.94	9.7	1.00	161	1044	9.14	10	1.10	179	939	8.22	9.8	1.15	206	814	7.13	9.5	1.25	230	730	6.39	9.3	1.30	277	605	5.30	8.9	1.40	306	577	4.80	10	2.30	377	469	3.90	5.9	2.90	413	428	3.56	5.9	3.40	474	373	3.10	6.5	4.00	538	328	2.73	6.9	4.25	634	279	2.32	5.9	4.35	721	245	2.04	6.0	4.90	350	480	4.20	7.3	1.65	386	435	3.81	7.2	1.80	435	386	3.38	7.0	2.00	479	351	3.07	6.9	2.20	557	301	2.64	6.7	2.60	639	263	2.30	6.4	3.00	754	223	1.95	6.2	3.20	860	195	1.71	6.0	3.40	1021	164	1.44	5.7	3.70	404	416	3.64	5.8	1.35	445	377	3.30	5.7	1.50	503	333	2.92	5.5	1.70	557	301	2.64	5.4	1.85	656	256	2.24	5.2	2.20	750	224	1.96	5.1	2.40	896	187	1.64	4.9	2.60	1035	162	1.42	4.7	2.70	533	315	2.76	2.9	1.20	593	283	2.48	3.2	1.35	684	245	2.15	3.4	1.50	762	220	1.93	3.6	1.55	919	183	1.60	3.6	1.65	1058	159	1.39	3.5	1.75	684	245	2.15	3.4	1.50	762	220	1.93	3.6	1.55	919	183	1.60	3.6	1.65	1058	159	1.39	3.5	1.75																																																																																																																																																																																																																																																																																																																																																																																											
221	760	6.66	15	3.70	73	2300	20.14	14	1.05	81	2083	18.24	14	1.15	91	1846	16.17	14	1.25	101	1669	14.62	13	1.30	119	1415	12.39	13	1.45	136	1237	10.83	13	1.60	158	1061	9.29	13	1.80	175	958	8.39	12	2.00	206	813	7.12	12	2.30	237	709	6.21	11	2.50	283	594	5.20	11	2.80	327	514	4.50	11	3.00	110	1528	13.38	10	0.80	123	1368	11.98	9.9	0.85	148	1135	9.94	9.7	1.00	161	1044	9.14	10	1.10	179	939	8.22	9.8	1.15	206	814	7.13	9.5	1.25	230	730	6.39	9.3	1.30	277	605	5.30	8.9	1.40	306	577	4.80	10	2.30	377	469	3.90	5.9	2.90	413	428	3.56	5.9	3.40	474	373	3.10	6.5	4.00	538	328	2.73	6.9	4.25	634	279	2.32	5.9	4.35	721	245	2.04	6.0	4.90	350	480	4.20	7.3	1.65	386	435	3.81	7.2	1.80	435	386	3.38	7.0	2.00	479	351	3.07	6.9	2.20	557	301	2.64	6.7	2.60	639	263	2.30	6.4	3.00	754	223	1.95	6.2	3.20	860	195	1.71	6.0	3.40	1021	164	1.44	5.7	3.70	404	416	3.64	5.8	1.35	445	377	3.30	5.7	1.50	503	333	2.92	5.5	1.70	557	301	2.64	5.4	1.85	656	256	2.24	5.2	2.20	750	224	1.96	5.1	2.40	896	187	1.64	4.9	2.60	1035	162	1.42	4.7	2.70	533	315	2.76	2.9	1.20	593	283	2.48	3.2	1.35	684	245	2.15	3.4	1.50	762	220	1.93	3.6	1.55	919	183	1.60	3.6	1.65	1058	159	1.39	3.5	1.75	684	245	2.15	3.4	1.50	762	220	1.93	3.6	1.55	919	183	1.60	3.6	1.65	1058	159	1.39	3.5	1.75																																																																																																																																																																																																																																																																																																																																																																																																
73	2300	20.14	14	1.05	81	2083	18.24	14	1.15	91	1846	16.17	14	1.25	101	1669	14.62	13	1.30	119	1415	12.39	13	1.45	136	1237	10.83	13	1.60	158	1061	9.29	13	1.80	175	958	8.39	12	2.00	206	813	7.12	12	2.30	237	709	6.21	11	2.50	283	594	5.20	11	2.80	327	514	4.50	11	3.00	110	1528	13.38	10	0.80	123	1368	11.98	9.9	0.85	148	1135	9.94	9.7	1.00	161	1044	9.14	10	1.10	179	939	8.22	9.8	1.15	206	814	7.13	9.5	1.25	230	730	6.39	9.3	1.30	277	605	5.30	8.9	1.40	306	577	4.80	10	2.30	377	469	3.90	5.9	2.90	413	428	3.56	5.9	3.40	474	373	3.10	6.5	4.00	538	328	2.73	6.9	4.25	634	279	2.32	5.9	4.35	721	245	2.04	6.0	4.90	350	480	4.20	7.3	1.65	386	435	3.81	7.2	1.80	435	386	3.38	7.0	2.00	479	351	3.07	6.9	2.20	557	301	2.64	6.7	2.60	639	263	2.30	6.4	3.00	754	223	1.95	6.2	3.20	860	195	1.71	6.0	3.40	1021	164	1.44	5.7	3.70	404	416	3.64	5.8	1.35	445	377	3.30	5.7	1.50	503	333	2.92	5.5	1.70	557	301	2.64	5.4	1.85	656	256	2.24	5.2	2.20	750	224	1.96	5.1	2.40	896	187	1.64	4.9	2.60	1035	162	1.42	4.7	2.70	533	315	2.76	2.9	1.20	593	283	2.48	3.2	1.35	684	245	2.15	3.4	1.50	762	220	1.93	3.6	1.55	919	183	1.60	3.6	1.65	1058	159	1.39	3.5	1.75	684	245	2.15	3.4	1.50	762	220	1.93	3.6	1.55	919	183	1.60	3.6	1.65	1058	159	1.39	3.5	1.75																																																																																																																																																																																																																																																																																																																																																																																																					
81	2083	18.24	14	1.15	91	1846	16.17	14	1.25	101	1669	14.62	13	1.30	119	1415	12.39	13	1.45	136	1237	10.83	13	1.60	158	1061	9.29	13	1.80	175	958	8.39	12	2.00	206	813	7.12	12	2.30	237	709	6.21	11	2.50	283	594	5.20	11	2.80	327	514	4.50	11	3.00	110	1528	13.38	10	0.80	123	1368	11.98	9.9	0.85	148	1135	9.94	9.7	1.00	161	1044	9.14	10	1.10	179	939	8.22	9.8	1.15	206	814	7.13	9.5	1.25	230	730	6.39	9.3	1.30	277	605	5.30	8.9	1.40	306	577	4.80	10	2.30	377	469	3.90	5.9	2.90	413	428	3.56	5.9	3.40	474	373	3.10	6.5	4.00	538	328	2.73	6.9	4.25	634	279	2.32	5.9	4.35	721	245	2.04	6.0	4.90	350	480	4.20	7.3	1.65	386	435	3.81	7.2	1.80	435	386	3.38	7.0	2.00	479	351	3.07	6.9	2.20	557	301	2.64	6.7	2.60	639	263	2.30	6.4	3.00	754	223	1.95	6.2	3.20	860	195	1.71	6.0	3.40	1021	164	1.44	5.7	3.70	404	416	3.64	5.8	1.35	445	377	3.30	5.7	1.50	503	333	2.92	5.5	1.70	557	301	2.64	5.4	1.85	656	256	2.24	5.2	2.20	750	224	1.96	5.1	2.40	896	187	1.64	4.9	2.60	1035	162	1.42	4.7	2.70	533	315	2.76	2.9	1.20	593	283	2.48	3.2	1.35	684	245	2.15	3.4	1.50	762	220	1.93	3.6	1.55	919	183	1.60	3.6	1.65	1058	159	1.39	3.5	1.75	684	245	2.15	3.4	1.50	762	220	1.93	3.6	1.55	919	183	1.60	3.6	1.65	1058	159	1.39	3.5	1.75																																																																																																																																																																																																																																																																																																																																																																																																										
91	1846	16.17	14	1.25	101	1669	14.62	13	1.30	119	1415	12.39	13	1.45	136	1237	10.83	13	1.60	158	1061	9.29	13	1.80	175	958	8.39	12	2.00	206	813	7.12	12	2.30	237	709	6.21	11	2.50	283	594	5.20	11	2.80	327	514	4.50	11	3.00	110	1528	13.38	10	0.80	123	1368	11.98	9.9	0.85	148	1135	9.94	9.7	1.00	161	1044	9.14	10	1.10	179	939	8.22	9.8	1.15	206	814	7.13	9.5	1.25	230	730	6.39	9.3	1.30	277	605	5.30	8.9	1.40	306	577	4.80	10	2.30	377	469	3.90	5.9	2.90	413	428	3.56	5.9	3.40	474	373	3.10	6.5	4.00	538	328	2.73	6.9	4.25	634	279	2.32	5.9	4.35	721	245	2.04	6.0	4.90	350	480	4.20	7.3	1.65	386	435	3.81	7.2	1.80	435	386	3.38	7.0	2.00	479	351	3.07	6.9	2.20	557	301	2.64	6.7	2.60	639	263	2.30	6.4	3.00	754	223	1.95	6.2	3.20	860	195	1.71	6.0	3.40	1021	164	1.44	5.7	3.70	404	416	3.64	5.8	1.35	445	377	3.30	5.7	1.50	503	333	2.92	5.5	1.70	557	301	2.64	5.4	1.85	656	256	2.24	5.2	2.20	750	224	1.96	5.1	2.40	896	187	1.64	4.9	2.60	1035	162	1.42	4.7	2.70	533	315	2.76	2.9	1.20	593	283	2.48	3.2	1.35	684	245	2.15	3.4	1.50	762	220	1.93	3.6	1.55	919	183	1.60	3.6	1.65	1058	159	1.39	3.5	1.75	684	245	2.15	3.4	1.50	762	220	1.93	3.6	1.55	919	183	1.60	3.6	1.65	1058	159	1.39	3.5	1.75																																																																																																																																																																																																																																																																																																																																																																																																															
101	1669	14.62	13	1.30	119	1415	12.39	13	1.45	136	1237	10.83	13	1.60	158	1061	9.29	13	1.80	175	958	8.39	12	2.00	206	813	7.12	12	2.30	237	709	6.21	11	2.50	283	594	5.20	11	2.80	327	514	4.50	11	3.00	110	1528	13.38	10	0.80	123	1368	11.98	9.9	0.85	148	1135	9.94	9.7	1.00	161	1044	9.14	10	1.10	179	939	8.22	9.8	1.15	206	814	7.13	9.5	1.25	230	730	6.39	9.3	1.30	277	605	5.30	8.9	1.40	306	577	4.80	10	2.30	377	469	3.90	5.9	2.90	413	428	3.56	5.9	3.40	474	373	3.10	6.5	4.00	538	328	2.73	6.9	4.25	634	279	2.32	5.9	4.35	721	245	2.04	6.0	4.90	350	480	4.20	7.3	1.65	386	435	3.81	7.2	1.80	435	386	3.38	7.0	2.00	479	351	3.07	6.9	2.20	557	301	2.64	6.7	2.60	639	263	2.30	6.4	3.00	754	223	1.95	6.2	3.20	860	195	1.71	6.0	3.40	1021	164	1.44	5.7	3.70	404	416	3.64	5.8	1.35	445	377	3.30	5.7	1.50	503	333	2.92	5.5	1.70	557	301	2.64	5.4	1.85	656	256	2.24	5.2	2.20	750	224	1.96	5.1	2.40	896	187	1.64	4.9	2.60	1035	162	1.42	4.7	2.70	533	315	2.76	2.9	1.20	593	283	2.48	3.2	1.35	684	245	2.15	3.4	1.50	762	220	1.93	3.6	1.55	919	183	1.60	3.6	1.65	1058	159	1.39	3.5	1.75	684	245	2.15	3.4	1.50	762	220	1.93	3.6	1.55	919	183	1.60	3.6	1.65	1058	159	1.39	3.5	1.75																																																																																																																																																																																																																																																																																																																																																																																																																				
119	1415	12.39	13	1.45	136	1237	10.83	13	1.60	158	1061	9.29	13	1.80	175	958	8.39	12	2.00	206	813	7.12	12	2.30	237	709	6.21	11	2.50	283	594	5.20	11	2.80	327	514	4.50	11	3.00	110	1528	13.38	10	0.80	123	1368	11.98	9.9	0.85	148	1135	9.94	9.7	1.00	161	1044	9.14	10	1.10	179	939	8.22	9.8	1.15	206	814	7.13	9.5	1.25	230	730	6.39	9.3	1.30	277	605	5.30	8.9	1.40	306	577	4.80	10	2.30	377	469	3.90	5.9	2.90	413	428	3.56	5.9	3.40	474	373	3.10	6.5	4.00	538	328	2.73	6.9	4.25	634	279	2.32	5.9	4.35	721	245	2.04	6.0	4.90	350	480	4.20	7.3	1.65	386	435	3.81	7.2	1.80	435	386	3.38	7.0	2.00	479	351	3.07	6.9	2.20	557	301	2.64	6.7	2.60	639	263	2.30	6.4	3.00	754	223	1.95	6.2	3.20	860	195	1.71	6.0	3.40	1021	164	1.44	5.7	3.70	404	416	3.64	5.8	1.35	445	377	3.30	5.7	1.50	503	333	2.92	5.5	1.70	557	301	2.64	5.4	1.85	656	256	2.24	5.2	2.20	750	224	1.96	5.1	2.40	896	187	1.64	4.9	2.60	1035	162	1.42	4.7	2.70	533	315	2.76	2.9	1.20	593	283	2.48	3.2	1.35	684	245	2.15	3.4	1.50	762	220	1.93	3.6	1.55	919	183	1.60	3.6	1.65	1058	159	1.39	3.5	1.75	684	245	2.15	3.4	1.50	762	220	1.93	3.6	1.55	919	183	1.60	3.6	1.65	1058	159	1.39	3.5	1.75																																																																																																																																																																																																																																																																																																																																																																																																																									
136	1237	10.83	13	1.60	158	1061	9.29	13	1.80	175	958	8.39	12	2.00	206	813	7.12	12	2.30	237	709	6.21	11	2.50	283	594	5.20	11	2.80	327	514	4.50	11	3.00	110	1528	13.38	10	0.80	123	1368	11.98	9.9	0.85	148	1135	9.94	9.7	1.00	161	1044	9.14	10	1.10	179	939	8.22	9.8	1.15	206	814	7.13	9.5	1.25	230	730	6.39	9.3	1.30	277	605	5.30	8.9	1.40	306	577	4.80	10	2.30	377	469	3.90	5.9	2.90	413	428	3.56	5.9	3.40	474	373	3.10	6.5	4.00	538	328	2.73	6.9	4.25	634	279	2.32	5.9	4.35	721	245	2.04	6.0	4.90	350	480	4.20	7.3	1.65	386	435	3.81	7.2	1.80	435	386	3.38	7.0	2.00	479	351	3.07	6.9	2.20	557	301	2.64	6.7	2.60	639	263	2.30	6.4	3.00	754	223	1.95	6.2	3.20	860	195	1.71	6.0	3.40	1021	164	1.44	5.7	3.70	404	416	3.64	5.8	1.35	445	377	3.30	5.7	1.50	503	333	2.92	5.5	1.70	557	301	2.64	5.4	1.85	656	256	2.24	5.2	2.20	750	224	1.96	5.1	2.40	896	187	1.64	4.9	2.60	1035	162	1.42	4.7	2.70	533	315	2.76	2.9	1.20	593	283	2.48	3.2	1.35	684	245	2.15	3.4	1.50	762	220	1.93	3.6	1.55	919	183	1.60	3.6	1.65	1058	159	1.39	3.5	1.75	684	245	2.15	3.4	1.50	762	220	1.93	3.6	1.55	919	183	1.60	3.6	1.65	1058	159	1.39	3.5	1.75																																																																																																																																																																																																																																																																																																																																																																																																																														
158	1061	9.29	13	1.80	175	958	8.39	12	2.00	206	813	7.12	12	2.30	237	709	6.21	11	2.50	283	594	5.20	11	2.80	327	514	4.50	11	3.00	110	1528	13.38	10	0.80	123	1368	11.98	9.9	0.85	148	1135	9.94	9.7	1.00	161	1044	9.14	10	1.10	179	939	8.22	9.8	1.15	206	814	7.13	9.5	1.25	230	730	6.39	9.3	1.30	277	605	5.30	8.9	1.40	306	577	4.80	10	2.30	377	469	3.90	5.9	2.90	413	428	3.56	5.9	3.40	474	373	3.10	6.5	4.00	538	328	2.73	6.9	4.25	634	279	2.32	5.9	4.35	721	245	2.04	6.0	4.90	350	480	4.20	7.3	1.65	386	435	3.81	7.2	1.80	435	386	3.38	7.0	2.00	479	351	3.07	6.9	2.20	557	301	2.64	6.7	2.60	639	263	2.30	6.4	3.00	754	223	1.95	6.2	3.20	860	195	1.71	6.0	3.40	1021	164	1.44	5.7	3.70	404	416	3.64	5.8	1.35	445	377	3.30	5.7	1.50	503	333	2.92	5.5	1.70	557	301	2.64	5.4	1.85	656	256	2.24	5.2	2.20	750	224	1.96	5.1	2.40	896	187	1.64	4.9	2.60	1035	162	1.42	4.7	2.70	533	315	2.76	2.9	1.20	593	283	2.48	3.2	1.35	684	245	2.15	3.4	1.50	762	220	1.93	3.6	1.55	919	183	1.60	3.6	1.65	1058	159	1.39	3.5	1.75	684	245	2.15	3.4	1.50	762	220	1.93	3.6	1.55	919	183	1.60	3.6	1.65	1058	159	1.39	3.5	1.75																																																																																																																																																																																																																																																																																																																																																																																																																																			
175	958	8.39	12	2.00	206	813	7.12	12	2.30	237	709	6.21	11	2.50	283	594	5.20	11	2.80	327	514	4.50	11	3.00	110	1528	13.38	10	0.80	123	1368	11.98	9.9	0.85	148	1135	9.94	9.7	1.00	161	1044	9.14	10	1.10	179	939	8.22	9.8	1.15	206	814	7.13	9.5	1.25	230	730	6.39	9.3	1.30	277	605	5.30	8.9	1.40	306	577	4.80	10	2.30	377	469	3.90	5.9	2.90	413	428	3.56	5.9	3.40	474	373	3.10	6.5	4.00	538	328	2.73	6.9	4.25	634	279	2.32	5.9	4.35	721	245	2.04	6.0	4.90	350	480	4.20	7.3	1.65	386	435	3.81	7.2	1.80	435	386	3.38	7.0	2.00	479	351	3.07	6.9	2.20	557	301	2.64	6.7	2.60	639	263	2.30	6.4	3.00	754	223	1.95	6.2	3.20	860	195	1.71	6.0	3.40	1021	164	1.44	5.7	3.70	404	416	3.64	5.8	1.35	445	377	3.30	5.7	1.50	503	333	2.92	5.5	1.70	557	301	2.64	5.4	1.85	656	256	2.24	5.2	2.20	750	224	1.96	5.1	2.40	896	187	1.64	4.9	2.60	1035	162	1.42	4.7	2.70	533	315	2.76	2.9	1.20	593	283	2.48	3.2	1.35	684	245	2.15	3.4	1.50	762	220	1.93	3.6	1.55	919	183	1.60	3.6	1.65	1058	159	1.39	3.5	1.75	684	245	2.15	3.4	1.50	762	220	1.93	3.6	1.55	919	183	1.60	3.6	1.65	1058	159	1.39	3.5	1.75																																																																																																																																																																																																																																																																																																																																																																																																																																								
206	813	7.12	12	2.30	237	709	6.21	11	2.50	283	594	5.20	11	2.80	327	514	4.50	11	3.00	110	1528	13.38	10	0.80	123	1368	11.98	9.9	0.85	148	1135	9.94	9.7	1.00	161	1044	9.14	10	1.10	179	939	8.22	9.8	1.15	206	814	7.13	9.5	1.25	230	730	6.39	9.3	1.30	277	605	5.30	8.9	1.40	306	577	4.80	10	2.30	377	469	3.90	5.9	2.90	413	428	3.56	5.9	3.40	474	373	3.10	6.5	4.00	538	328	2.73	6.9	4.25	634	279	2.32	5.9	4.35	721	245	2.04	6.0	4.90	350	480	4.20	7.3	1.65	386	435	3.81	7.2	1.80	435	386	3.38	7.0	2.00	479	351	3.07	6.9	2.20	557	301	2.64	6.7	2.60	639	263	2.30	6.4	3.00	754	223	1.95	6.2	3.20	860	195	1.71	6.0	3.40	1021	164	1.44	5.7	3.70	404	416	3.64	5.8	1.35	445	377	3.30	5.7	1.50	503	333	2.92	5.5	1.70	557	301	2.64	5.4	1.85	656	256	2.24	5.2	2.20	750	224	1.96	5.1	2.40	896	187	1.64	4.9	2.60	1035	162	1.42	4.7	2.70	533	315	2.76	2.9	1.20	593	283	2.48	3.2	1.35	684	245	2.15	3.4	1.50	762	220	1.93	3.6	1.55	919	183	1.60	3.6	1.65	1058	159	1.39	3.5	1.75	684	245	2.15	3.4	1.50	762	220	1.93	3.6	1.55	919	183	1.60	3.6	1.65	1058	159	1.39	3.5	1.75																																																																																																																																																																																																																																																																																																																																																																																																																																													
237	709	6.21	11	2.50	283	594	5.20	11	2.80	327	514	4.50	11	3.00	110	1528	13.38	10	0.80	123	1368	11.98	9.9	0.85	148	1135	9.94	9.7	1.00	161	1044	9.14	10	1.10	179	939	8.22	9.8	1.15	206	814	7.13	9.5	1.25	230	730	6.39	9.3	1.30	277	605	5.30	8.9	1.40	306	577	4.80	10	2.30	377	469	3.90	5.9	2.90	413	428	3.56	5.9	3.40	474	373	3.10	6.5	4.00	538	328	2.73	6.9	4.25	634	279	2.32	5.9	4.35	721	245	2.04	6.0	4.90	350	480	4.20	7.3	1.65	386	435	3.81	7.2	1.80	435	386	3.38	7.0	2.00	479	351	3.07	6.9	2.20	557	301	2.64	6.7	2.60	639	263	2.30	6.4	3.00	754	223	1.95	6.2	3.20	860	195	1.71	6.0	3.40	1021	164	1.44	5.7	3.70	404	416	3.64	5.8	1.35	445	377	3.30	5.7	1.50	503	333	2.92	5.5	1.70	557	301	2.64	5.4	1.85	656	256	2.24	5.2	2.20	750	224	1.96	5.1	2.40	896	187	1.64	4.9	2.60	1035	162	1.42	4.7	2.70	533	315	2.76	2.9	1.20	593	283	2.48	3.2	1.35	684	245	2.15	3.4	1.50	762	220	1.93	3.6	1.55	919	183	1.60	3.6	1.65	1058	159	1.39	3.5	1.75	684	245	2.15	3.4	1.50	762	220	1.93	3.6	1.55	919	183	1.60	3.6	1.65	1058	159	1.39	3.5	1.75																																																																																																																																																																																																																																																																																																																																																																																																																																																		
283	594	5.20	11	2.80	327	514	4.50	11	3.00	110	1528	13.38	10	0.80	123	1368	11.98	9.9	0.85	148	1135	9.94	9.7	1.00	161	1044	9.14	10	1.10	179	939	8.22	9.8	1.15	206	814	7.13	9.5	1.25	230	730	6.39	9.3	1.30	277	605	5.30	8.9	1.40	306	577	4.80	10	2.30	377	469	3.90	5.9	2.90	413	428	3.56	5.9	3.40	474	373	3.10	6.5	4.00	538	328	2.73	6.9	4.25	634	279	2.32	5.9	4.35	721	245	2.04	6.0	4.90	350	480	4.20	7.3	1.65	386	435	3.81	7.2	1.80	435	386	3.38	7.0	2.00	479	351	3.07	6.9	2.20	557	301	2.64	6.7	2.60	639	263	2.30	6.4	3.00	754	223	1.95	6.2	3.20	860	195	1.71	6.0	3.40	1021	164	1.44	5.7	3.70	404	416	3.64	5.8	1.35	445	377	3.30	5.7	1.50	503	333	2.92	5.5	1.70	557	301	2.64	5.4	1.85	656	256	2.24	5.2	2.20	750	224	1.96	5.1	2.40	896	187	1.64	4.9	2.60	1035	162	1.42	4.7	2.70	533	315	2.76	2.9	1.20	593	283	2.48	3.2	1.35	684	245	2.15	3.4	1.50	762	220	1.93	3.6	1.55	919	183	1.60	3.6	1.65	1058	159	1.39	3.5	1.75	684	245	2.15	3.4	1.50	762	220	1.93	3.6	1.55	919	183	1.60	3.6	1.65	1058	159	1.39	3.5	1.75																																																																																																																																																																																																																																																																																																																																																																																																																																																							
327	514	4.50	11	3.00	110	1528	13.38	10	0.80	123	1368	11.98	9.9	0.85	148	1135	9.94	9.7	1.00	161	1044	9.14	10	1.10	179	939	8.22	9.8	1.15	206	814	7.13	9.5	1.25	230	730	6.39	9.3	1.30	277	605	5.30	8.9	1.40	306	577	4.80	10	2.30	377	469	3.90	5.9	2.90	413	428	3.56	5.9	3.40	474	373	3.10	6.5	4.00	538	328	2.73	6.9	4.25	634	279	2.32	5.9	4.35	721	245	2.04	6.0	4.90	350	480	4.20	7.3	1.65	386	435	3.81	7.2	1.80	435	386	3.38	7.0	2.00	479	351	3.07	6.9	2.20	557	301	2.64	6.7	2.60	639	263	2.30	6.4	3.00	754	223	1.95	6.2	3.20	860	195	1.71	6.0	3.40	1021	164	1.44	5.7	3.70	404	416	3.64	5.8	1.35	445	377	3.30	5.7	1.50	503	333	2.92	5.5	1.70	557	301	2.64	5.4	1.85	656	256	2.24	5.2	2.20	750	224	1.96	5.1	2.40	896	187	1.64	4.9	2.60	1035	162	1.42	4.7	2.70	533	315	2.76	2.9	1.20	593	283	2.48	3.2	1.35	684	245	2.15	3.4	1.50	762	220	1.93	3.6	1.55	919	183	1.60	3.6	1.65	1058	159	1.39	3.5	1.75	684	245	2.15	3.4	1.50	762	220	1.93	3.6	1.55	919	183	1.60	3.6	1.65	1058	159	1.39	3.5	1.75																																																																																																																																																																																																																																																																																																																																																																																																																																																												
110	1528	13.38	10	0.80	123	1368	11.98	9.9	0.85	148	1135	9.94	9.7	1.00	161	1044	9.14	10	1.10	179	939	8.22	9.8	1.15	206	814	7.13	9.5	1.25	230	730	6.39	9.3	1.30	277	605	5.30	8.9	1.40	306	577	4.80	10	2.30	377	469	3.90	5.9	2.90	413	428	3.56	5.9	3.40	474	373	3.10	6.5	4.00	538	328	2.73	6.9	4.25	634	279	2.32	5.9	4.35	721	245	2.04	6.0	4.90	350	480	4.20	7.3	1.65	386	435	3.81	7.2	1.80	435	386	3.38	7.0	2.00	479	351	3.07	6.9	2.20	557	301	2.64	6.7	2.60	639	263	2.30	6.4	3.00	754	223	1.95	6.2	3.20	860	195	1.71	6.0	3.40	1021	164	1.44	5.7	3.70	404	416	3.64	5.8	1.35	445	377	3.30	5.7	1.50	503	333	2.92	5.5	1.70	557	301	2.64	5.4	1.85	656	256	2.24	5.2	2.20	750	224	1.96	5.1	2.40	896	187	1.64	4.9	2.60	1035	162	1.42	4.7	2.70	533	315	2.76	2.9	1.20	593	283	2.48	3.2	1.35	684	245	2.15	3.4	1.50	762	220	1.93	3.6	1.55	919	183	1.60	3.6	1.65	1058	159	1.39	3.5	1.75	684	245	2.15	3.4	1.50	762	220	1.93	3.6	1.55	919	183	1.60	3.6	1.65	1058	159	1.39	3.5	1.75																																																																																																																																																																																																																																																																																																																																																																																																																																																																	
123	1368	11.98	9.9	0.85	148	1135	9.94	9.7	1.00	161	1044	9.14	10	1.10	179	939	8.22	9.8	1.15	206	814	7.13	9.5	1.25	230	730	6.39	9.3	1.30	277	605	5.30	8.9	1.40	306	577	4.80	10	2.30	377	469	3.90	5.9	2.90	413	428	3.56	5.9	3.40	474	373	3.10	6.5	4.00	538	328	2.73	6.9	4.25	634	279	2.32	5.9	4.35	721	245	2.04	6.0	4.90	350	480	4.20	7.3	1.65	386	435	3.81	7.2	1.80	435	386	3.38	7.0	2.00	479	351	3.07	6.9	2.20	557	301	2.64	6.7	2.60	639	263	2.30	6.4	3.00	754	223	1.95	6.2	3.20	860	195	1.71	6.0	3.40	1021	164	1.44	5.7	3.70	404	416	3.64	5.8	1.35	445	377	3.30	5.7	1.50	503	333	2.92	5.5	1.70	557	301	2.64	5.4	1.85	656	256	2.24	5.2	2.20	750	224	1.96	5.1	2.40	896	187	1.64	4.9	2.60	1035	162	1.42	4.7	2.70	533	315	2.76	2.9	1.20	593	283	2.48	3.2	1.35	684	245	2.15	3.4	1.50	762	220	1.93	3.6	1.55	919	183	1.60	3.6	1.65	1058	159	1.39	3.5	1.75	684	245	2.15	3.4	1.50	762	220	1.93	3.6	1.55	919	183	1.60	3.6	1.65	1058	159	1.39	3.5	1.75																																																																																																																																																																																																																																																																																																																																																																																																																																																																						
148	1135	9.94	9.7	1.00	161	1044	9.14	10	1.10	179	939	8.22	9.8	1.15	206	814	7.13	9.5	1.25	230	730	6.39	9.3	1.30	277	605	5.30	8.9	1.40	306	577	4.80	10	2.30	377	469	3.90	5.9	2.90	413	428	3.56	5.9	3.40	474	373	3.10	6.5	4.00	538	328	2.73	6.9	4.25	634	279	2.32	5.9	4.35	721	245	2.04	6.0	4.90	350	480	4.20	7.3	1.65	386	435	3.81	7.2	1.80	435	386	3.38	7.0	2.00	479	351	3.07	6.9	2.20	557	301	2.64	6.7	2.60	639	263	2.30	6.4	3.00	754	223	1.95	6.2	3.20	860	195	1.71	6.0	3.40	1021	164	1.44	5.7	3.70	404	416	3.64	5.8	1.35	445	377	3.30	5.7	1.50	503	333	2.92	5.5	1.70	557	301	2.64	5.4	1.85	656	256	2.24	5.2	2.20	750	224	1.96	5.1	2.40	896	187	1.64	4.9	2.60	1035	162	1.42	4.7	2.70	533	315	2.76	2.9	1.20	593	283	2.48	3.2	1.35	684	245	2.15	3.4	1.50	762	220	1.93	3.6	1.55	919	183	1.60	3.6	1.65	1058	159	1.39	3.5	1.75	684	245	2.15	3.4	1.50	762	220	1.93	3.6	1.55	919	183	1.60	3.6	1.65	1058	159	1.39	3.5	1.75																																																																																																																																																																																																																																																																																																																																																																																																																																																																											
161	1044	9.14	10	1.10	179	939	8.22	9.8	1.15	206	814	7.13	9.5	1.25	230	730	6.39	9.3	1.30	277	605	5.30	8.9	1.40	306	577	4.80	10	2.30	377	469	3.90	5.9	2.90	413	428	3.56	5.9	3.40	474	373	3.10	6.5	4.00	538	328	2.73	6.9	4.25	634	279	2.32	5.9	4.35	721	245	2.04	6.0	4.90	350	480	4.20	7.3	1.65	386	435	3.81	7.2	1.80	435	386	3.38	7.0	2.00	479	351	3.07	6.9	2.20	557	301	2.64	6.7	2.60	639	263	2.30	6.4	3.00	754	223	1.95	6.2	3.20	860	195	1.71	6.0	3.40	1021	164	1.44	5.7	3.70	404	416	3.64	5.8	1.35	445	377	3.30	5.7	1.50	503	333	2.92	5.5	1.70	557	301	2.64	5.4	1.85	656	256	2.24	5.2	2.20	750	224	1.96	5.1	2.40	896	187	1.64	4.9	2.60	1035	162	1.42	4.7	2.70	533	315	2.76	2.9	1.20	593	283	2.48	3.2	1.35	684	245	2.15	3.4	1.50	762	220	1.93	3.6	1.55	919	183	1.60	3.6	1.65	1058	159	1.39	3.5	1.75	684	245	2.15	3.4	1.50	762	220	1.93	3.6	1.55	919	183	1.60	3.6	1.65	1058	159	1.39	3.5	1.75																																																																																																																																																																																																																																																																																																																																																																																																																																																																																
179	939	8.22	9.8	1.15	206	814	7.13	9.5	1.25	230	730	6.39	9.3	1.30	277	605	5.30	8.9	1.40	306	577	4.80	10	2.30	377	469	3.90	5.9	2.90	413	428	3.56	5.9	3.40	474	373	3.10	6.5	4.00	538	328	2.73	6.9	4.25	634	279	2.32	5.9	4.35	721	245	2.04	6.0	4.90	350	480	4.20	7.3	1.65	386	435	3.81	7.2	1.80	435	386	3.38	7.0	2.00	479	351	3.07	6.9	2.20	557	301	2.64	6.7	2.60	639	263	2.30	6.4	3.00	754	223	1.95	6.2	3.20	860	195	1.71	6.0	3.40	1021	164	1.44	5.7	3.70	404	416	3.64	5.8	1.35	445	377	3.30	5.7	1.50	503	333	2.92	5.5	1.70	557	301	2.64	5.4	1.85	656	256	2.24	5.2	2.20	750	224	1.96	5.1	2.40	896	187	1.64	4.9	2.60	1035	162	1.42	4.7	2.70	533	315	2.76	2.9	1.20	593	283	2.48	3.2	1.35	684	245	2.15	3.4	1.50	762	220	1.93	3.6	1.55	919	183	1.60	3.6	1.65	1058	159	1.39	3.5	1.75	684	245	2.15	3.4	1.50	762	220	1.93	3.6	1.55	919	183	1.60	3.6	1.65	1058	159	1.39	3.5	1.75																																																																																																																																																																																																																																																																																																																																																																																																																																																																																					
206	814	7.13	9.5	1.25	230	730	6.39	9.3	1.30	277	605	5.30	8.9	1.40	306	577	4.80	10	2.30	377	469	3.90	5.9	2.90	413	428	3.56	5.9	3.40	474	373	3.10	6.5	4.00	538	328	2.73	6.9	4.25	634	279	2.32	5.9	4.35	721	245	2.04	6.0	4.90	350	480	4.20	7.3	1.65	386	435	3.81	7.2	1.80	435	386	3.38	7.0	2.00	479	351	3.07	6.9	2.20	557	301	2.64	6.7	2.60	639	263	2.30	6.4	3.00	754	223	1.95	6.2	3.20	860	195	1.71	6.0	3.40	1021	164	1.44	5.7	3.70	404	416	3.64	5.8	1.35	445	377	3.30	5.7	1.50	503	333	2.92	5.5	1.70	557	301	2.64	5.4	1.85	656	256	2.24	5.2	2.20	750	224	1.96	5.1	2.40	896	187	1.64	4.9	2.60	1035	162	1.42	4.7	2.70	533	315	2.76	2.9	1.20	593	283	2.48	3.2	1.35	684	245	2.15	3.4	1.50	762	220	1.93	3.6	1.55	919	183	1.60	3.6	1.65	1058	159	1.39	3.5	1.75	684	245	2.15	3.4	1.50	762	220	1.93	3.6	1.55	919	183	1.60	3.6	1.65	1058	159	1.39	3.5	1.75																																																																																																																																																																																																																																																																																																																																																																																																																																																																																										
230	730	6.39	9.3	1.30	277	605	5.30	8.9	1.40	306	577	4.80	10	2.30	377	469	3.90	5.9	2.90	413	428	3.56	5.9	3.40	474	373	3.10	6.5	4.00	538	328	2.73	6.9	4.25	634	279	2.32	5.9	4.35	721	245	2.04	6.0	4.90	350	480	4.20	7.3	1.65	386	435	3.81	7.2	1.80	435	386	3.38	7.0	2.00	479	351	3.07	6.9	2.20	557	301	2.64	6.7	2.60	639	263	2.30	6.4	3.00	754	223	1.95	6.2	3.20	860	195	1.71	6.0	3.40	1021	164	1.44	5.7	3.70	404	416	3.64	5.8	1.35	445	377	3.30	5.7	1.50	503	333	2.92	5.5	1.70	557	301	2.64	5.4	1.85	656	256	2.24	5.2	2.20	750	224	1.96	5.1	2.40	896	187	1.64	4.9	2.60	1035	162	1.42	4.7	2.70	533	315	2.76	2.9	1.20	593	283	2.48	3.2	1.35	684	245	2.15	3.4	1.50	762	220	1.93	3.6	1.55	919	183	1.60	3.6	1.65	1058	159	1.39	3.5	1.75	684	245	2.15	3.4	1.50	762	220	1.93	3.6	1.55	919	183	1.60	3.6	1.65	1058	159	1.39	3.5	1.75																																																																																																																																																																																																																																																																																																																																																																																																																																																																																															
277	605	5.30	8.9	1.40	306	577	4.80	10	2.30	377	469	3.90	5.9	2.90	413	428	3.56	5.9	3.40	474	373	3.10	6.5	4.00	538	328	2.73	6.9	4.25	634	279	2.32	5.9	4.35	721	245	2.04	6.0	4.90	350	480	4.20	7.3	1.65	386	435	3.81	7.2	1.80	435	386	3.38	7.0	2.00	479	351	3.07	6.9	2.20	557	301	2.64	6.7	2.60	639	263	2.30	6.4	3.00	754	223	1.95	6.2	3.20	860	195	1.71	6.0	3.40	1021	164	1.44	5.7	3.70	404	416	3.64	5.8	1.35	445	377	3.30	5.7	1.50	503	333	2.92	5.5	1.70	557	301	2.64	5.4	1.85	656	256	2.24	5.2	2.20	750	224	1.96	5.1	2.40	896	187	1.64	4.9	2.60	1035	162	1.42	4.7	2.70	533	315	2.76	2.9	1.20	593	283	2.48	3.2	1.35	684	245	2.15	3.4	1.50	762	220	1.93	3.6	1.55	919	183	1.60	3.6	1.65	1058	159	1.39	3.5	1.75	684	245	2.15	3.4	1.50	762	220	1.93	3.6	1.55	919	183	1.60	3.6	1.65	1058	159	1.39	3.5	1.75																																																																																																																																																																																																																																																																																																																																																																																																																																																																																																				
306	577	4.80	10	2.30	377	469	3.90	5.9	2.90	413	428	3.56	5.9	3.40	474	373	3.10	6.5	4.00	538	328	2.73	6.9	4.25	634	279	2.32	5.9	4.35	721	245	2.04	6.0	4.90	350	480	4.20	7.3	1.65	386	435	3.81	7.2	1.80	435	386	3.38	7.0	2.00	479	351	3.07	6.9	2.20	557	301	2.64	6.7	2.60	639	263	2.30	6.4	3.00	754	223	1.95	6.2	3.20	860	195	1.71	6.0	3.40	1021	164	1.44	5.7	3.70	404	416	3.64	5.8	1.35	445	377	3.30	5.7	1.50	503	333	2.92	5.5	1.70	557	301	2.64	5.4	1.85	656	256	2.24	5.2	2.20	750	224	1.96	5.1	2.40	896	187	1.64	4.9	2.60	1035	162	1.42	4.7	2.70	533	315	2.76	2.9	1.20	593	283	2.48	3.2	1.35	684	245	2.15	3.4	1.50	762	220	1.93	3.6	1.55	919	183	1.60	3.6	1.65	1058	159	1.39	3.5	1.75	684	245	2.15	3.4	1.50	762	220	1.93	3.6	1.55	919	183	1.60	3.6	1.65	1058	159	1.39	3.5	1.75																																																																																																																																																																																																																																																																																																																																																																																																																																																																																																									
377	469	3.90	5.9	2.90	413	428	3.56	5.9	3.40	474	373	3.10	6.5	4.00	538	328	2.73	6.9	4.25	634	279	2.32	5.9	4.35	721	245	2.04	6.0	4.90	350	480	4.20	7.3	1.65	386	435	3.81	7.2	1.80	435	386	3.38	7.0	2.00	479	351	3.07	6.9	2.20	557	301	2.64	6.7	2.60	639	263	2.30	6.4	3.00	754	223	1.95	6.2	3.20	860	195	1.71	6.0	3.40	1021	164	1.44	5.7	3.70	404	416	3.64	5.8	1.35	445	377	3.30	5.7	1.50	503	333	2.92	5.5	1.70	557	301	2.64	5.4	1.85	656	256	2.24	5.2	2.20	750	224	1.96	5.1	2.40	896	187	1.64	4.9	2.60	1035	162	1.42	4.7	2.70	533	315	2.76	2.9	1.20	593	283	2.48	3.2	1.35	684	245	2.15	3.4	1.50	762	220	1.93	3.6	1.55	919	183	1.60	3.6	1.65	1058	159	1.39	3.5	1.75	684	245	2.15	3.4	1.50	762	220	1.93	3.6	1.55	919	183	1.60	3.6	1.65	1058	159	1.39	3.5	1.75																																																																																																																																																																																																																																																																																																																																																																																																																																																																																																														
413	428	3.56	5.9	3.40	474	373	3.10	6.5	4.00	538	328	2.73	6.9	4.25	634	279	2.32	5.9	4.35	721	245	2.04	6.0	4.90	350	480	4.20	7.3	1.65	386	435	3.81	7.2	1.80	435	386	3.38	7.0	2.00	479	351	3.07	6.9	2.20	557	301	2.64	6.7	2.60	639	263	2.30	6.4	3.00	754	223	1.95	6.2	3.20	860	195	1.71	6.0	3.40	1021	164	1.44	5.7	3.70	404	416	3.64	5.8	1.35	445	377	3.30	5.7	1.50	503	333	2.92	5.5	1.70	557	301	2.64	5.4	1.85	656	256	2.24	5.2	2.20	750	224	1.96	5.1	2.40	896	187	1.64	4.9	2.60	1035	162	1.42	4.7	2.70	533	315	2.76	2.9	1.20	593	283	2.48	3.2	1.35	684	245	2.15	3.4	1.50	762	220	1.93	3.6	1.55	919	183	1.60	3.6	1.65	1058	159	1.39	3.5	1.75	684	245	2.15	3.4	1.50	762	220	1.93	3.6	1.55	919	183	1.60	3.6	1.65	1058	159	1.39	3.5	1.75																																																																																																																																																																																																																																																																																																																																																																																																																																																																																																																			
474	373	3.10	6.5	4.00	538	328	2.73	6.9	4.25	634	279	2.32	5.9	4.35	721	245	2.04	6.0	4.90	350	480	4.20	7.3	1.65	386	435	3.81	7.2	1.80	435	386	3.38	7.0	2.00	479	351	3.07	6.9	2.20	557	301	2.64	6.7	2.60	639	263	2.30	6.4	3.00	754	223	1.95	6.2	3.20	860	195	1.71	6.0	3.40	1021	164	1.44	5.7	3.70	404	416	3.64	5.8	1.35	445	377	3.30	5.7	1.50	503	333	2.92	5.5	1.70	557	301	2.64	5.4	1.85	656	256	2.24	5.2	2.20	750	224	1.96	5.1	2.40	896	187	1.64	4.9	2.60	1035	162	1.42	4.7	2.70	533	315	2.76	2.9	1.20	593	283	2.48	3.2	1.35	684	245	2.15	3.4	1.50	762	220	1.93	3.6	1.55	919	183	1.60	3.6	1.65	1058	159	1.39	3.5	1.75	684	245	2.15	3.4	1.50	762	220	1.93	3.6	1.55	919	183	1.60	3.6	1.65	1058	159	1.39	3.5	1.75																																																																																																																																																																																																																																																																																																																																																																																																																																																																																																																								
538	328	2.73	6.9	4.25	634	279	2.32	5.9	4.35	721	245	2.04	6.0	4.90	350	480	4.20	7.3	1.65	386	435	3.81	7.2	1.80	435	386	3.38	7.0	2.00	479	351	3.07	6.9	2.20	557	301	2.64	6.7	2.60	639	263	2.30	6.4	3.00	754	223	1.95	6.2	3.20	860	195	1.71	6.0	3.40	1021	164	1.44	5.7	3.70	404	416	3.64	5.8	1.35	445	377	3.30	5.7	1.50	503	333	2.92	5.5	1.70	557	301	2.64	5.4	1.85	656	256	2.24	5.2	2.20	750	224	1.96	5.1	2.40	896	187	1.64	4.9	2.60	1035	162	1.42	4.7	2.70	533	315	2.76	2.9	1.20	593	283	2.48	3.2	1.35	684	245	2.15	3.4	1.50	762	220	1.93	3.6	1.55	919	183	1.60	3.6	1.65	1058	159	1.39	3.5	1.75	684	245	2.15	3.4	1.50	762	220	1.93	3.6	1.55	919	183	1.60	3.6	1.65	1058	159	1.39	3.5	1.75																																																																																																																																																																																																																																																																																																																																																																																																																																																																																																																													
634	279	2.32	5.9	4.35	721	245	2.04	6.0	4.90	350	480	4.20	7.3	1.65	386	435	3.81	7.2	1.80	435	386	3.38	7.0	2.00	479	351	3.07	6.9	2.20	557	301	2.64	6.7	2.60	639	263	2.30	6.4	3.00	754	223	1.95	6.2	3.20	860	195	1.71	6.0	3.40	1021	164	1.44	5.7	3.70	404	416	3.64	5.8	1.35	445	377	3.30	5.7	1.50	503	333	2.92	5.5	1.70	557	301	2.64	5.4	1.85	656	256	2.24	5.2	2.20	750	224	1.96	5.1	2.40	896	187	1.64	4.9	2.60	1035	162	1.42	4.7	2.70	533	315	2.76	2.9	1.20	593	283	2.48	3.2	1.35	684	245	2.15	3.4	1.50	762	220	1.93	3.6	1.55	919	183	1.60	3.6	1.65	1058	159	1.39	3.5	1.75	684	245	2.15	3.4	1.50	762	220	1.93	3.6	1.55	919	183	1.60	3.6	1.65	1058	159	1.39	3.5	1.75																																																																																																																																																																																																																																																																																																																																																																																																																																																																																																																																		
721	245	2.04	6.0	4.90	350	480	4.20	7.3	1.65	386	435	3.81	7.2	1.80	435	386	3.38	7.0	2.00	479	351	3.07	6.9	2.20	557	301	2.64	6.7	2.60	639	263	2.30	6.4	3.00	754	223	1.95	6.2	3.20	860	195	1.71	6.0	3.40	1021	164	1.44	5.7	3.70	404	416	3.64	5.8	1.35	445	377	3.30	5.7	1.50	503	333	2.92	5.5	1.70	557	301	2.64	5.4	1.85	656	256	2.24	5.2	2.20	750	224	1.96	5.1	2.40	896	187	1.64	4.9	2.60	1035	162	1.42	4.7	2.70	533	315	2.76	2.9	1.20	593	283	2.48	3.2	1.35	684	245	2.15	3.4	1.50	762	220	1.93	3.6	1.55	919	183	1.60	3.6	1.65	1058	159	1.39	3.5	1.75	684	245	2.15	3.4	1.50	762	220	1.93	3.6	1.55	919	183	1.60	3.6	1.65	1058	159	1.39	3.5	1.75																																																																																																																																																																																																																																																																																																																																																																																																																																																																																																																																							
350	480	4.20	7.3	1.65	386	435	3.81	7.2	1.80	435	386	3.38	7.0	2.00	479	351	3.07	6.9	2.20	557	301	2.64	6.7	2.60	639	263	2.30	6.4	3.00	754	223	1.95	6.2	3.20	860	195	1.71	6.0	3.40	1021	164	1.44	5.7	3.70	404	416	3.64	5.8	1.35	445	377	3.30	5.7	1.50	503	333	2.92	5.5	1.70	557	301	2.64	5.4	1.85	656	256	2.24	5.2	2.20	750	224	1.96	5.1	2.40	896	187	1.64	4.9	2.60	1035	162	1.42	4.7	2.70	533	315	2.76	2.9	1.20	593	283	2.48	3.2	1.35	684	245	2.15	3.4	1.50	762	220	1.93	3.6	1.55	919	183	1.60	3.6	1.65	1058	159	1.39	3.5	1.75	684	245	2.15	3.4	1.50	762	220	1.93	3.6	1.55	919	183	1.60	3.6	1.65	1058	159	1.39	3.5	1.75																																																																																																																																																																																																																																																																																																																																																																																																																																																																																																																																												
386	435	3.81	7.2	1.80	435	386	3.38	7.0	2.00	479	351	3.07	6.9	2.20	557	301	2.64	6.7	2.60	639	263	2.30	6.4	3.00	754	223	1.95	6.2	3.20	860	195	1.71	6.0	3.40	1021	164	1.44	5.7	3.70	404	416	3.64	5.8	1.35	445	377	3.30	5.7	1.50	503	333	2.92	5.5	1.70	557	301	2.64	5.4	1.85	656	256	2.24	5.2	2.20	750	224	1.96	5.1	2.40	896	187	1.64	4.9	2.60	1035	162	1.42	4.7	2.70	533	315	2.76	2.9	1.20	593	283	2.48	3.2	1.35	684	245	2.15	3.4	1.50	762	220	1.93	3.6	1.55	919	183	1.60	3.6	1.65	1058	159	1.39	3.5	1.75	684	245	2.15	3.4	1.50	762	220	1.93	3.6	1.55	919	183	1.60	3.6	1.65	1058	159	1.39	3.5	1.75																																																																																																																																																																																																																																																																																																																																																																																																																																																																																																																																																	
435	386	3.38	7.0	2.00	479	351	3.07	6.9	2.20	557	301	2.64	6.7	2.60	639	263	2.30	6.4	3.00	754	223	1.95	6.2	3.20	860	195	1.71	6.0	3.40	1021	164	1.44	5.7	3.70	404	416	3.64	5.8	1.35	445	377	3.30	5.7	1.50	503	333	2.92	5.5	1.70	557	301	2.64	5.4	1.85	656	256	2.24	5.2	2.20	750	224	1.96	5.1	2.40	896	187	1.64	4.9	2.60	1035	162	1.42	4.7	2.70	533	315	2.76	2.9	1.20	593	283	2.48	3.2	1.35	684	245	2.15	3.4	1.50	762	220	1.93	3.6	1.55	919	183	1.60	3.6	1.65	1058	159	1.39	3.5	1.75	684	245	2.15	3.4	1.50	762	220	1.93	3.6	1.55	919	183	1.60	3.6	1.65	1058	159	1.39	3.5	1.75																																																																																																																																																																																																																																																																																																																																																																																																																																																																																																																																																						
479	351	3.07	6.9	2.20	557	301	2.64	6.7	2.60	639	263	2.30	6.4	3.00	754	223	1.95	6.2	3.20	860	195	1.71	6.0	3.40	1021	164	1.44	5.7	3.70	404	416	3.64	5.8	1.35	445	377	3.30	5.7	1.50	503	333	2.92	5.5	1.70	557	301	2.64	5.4	1.85	656	256	2.24	5.2	2.20	750	224	1.96	5.1	2.40	896	187	1.64	4.9	2.60	1035	162	1.42	4.7	2.70	533	315	2.76	2.9	1.20	593	283	2.48	3.2	1.35	684	245	2.15	3.4	1.50	762	220	1.93	3.6	1.55	919	183	1.60	3.6	1.65	1058	159	1.39	3.5	1.75	684	245	2.15	3.4	1.50	762	220	1.93	3.6	1.55	919	183	1.60	3.6	1.65	1058	159	1.39	3.5	1.75																																																																																																																																																																																																																																																																																																																																																																																																																																																																																																																																																											
557	301	2.64	6.7	2.60	639	263	2.30	6.4	3.00	754	223	1.95	6.2	3.20	860	195	1.71	6.0	3.40	1021	164	1.44	5.7	3.70	404	416	3.64	5.8	1.35	445	377	3.30	5.7	1.50	503	333	2.92	5.5	1.70	557	301	2.64	5.4	1.85	656	256	2.24	5.2	2.20	750	224	1.96	5.1	2.40	896	187	1.64	4.9	2.60	1035	162	1.42	4.7	2.70	533	315	2.76	2.9	1.20	593	283	2.48	3.2	1.35	684	245	2.15	3.4	1.50	762	220	1.93	3.6	1.55	919	183	1.60	3.6	1.65	1058	159	1.39	3.5	1.75	684	245	2.15	3.4	1.50	762	220	1.93	3.6	1.55	919	183	1.60	3.6	1.65	1058	159	1.39	3.5	1.75																																																																																																																																																																																																																																																																																																																																																																																																																																																																																																																																																																
639	263	2.30	6.4	3.00	754	223	1.95	6.2	3.20	860	195	1.71	6.0	3.40	1021	164	1.44	5.7	3.70	404	416	3.64	5.8	1.35	445	377	3.30	5.7	1.50	503	333	2.92	5.5	1.70	557	301	2.64	5.4	1.85	656	256	2.24	5.2	2.20	750	224	1.96	5.1	2.40	896	187	1.64	4.9	2.60	1035	162	1.42	4.7	2.70	533	315	2.76	2.9	1.20	593	283	2.48	3.2	1.35	684	245	2.15	3.4	1.50	762	220	1.93	3.6	1.55	919	183	1.60	3.6	1.65	1058	159	1.39	3.5	1.75	684	245	2.15	3.4	1.50	762	220	1.93	3.6	1.55	919	183	1.60	3.6	1.65	1058	159	1.39	3.5	1.75																																																																																																																																																																																																																																																																																																																																																																																																																																																																																																																																																																					
754	223	1.95	6.2	3.20	860	195	1.71	6.0	3.40	1021	164	1.44	5.7	3.70	404	416	3.64	5.8	1.35	445	377	3.30	5.7	1.50	503	333	2.92	5.5	1.70	557	301	2.64	5.4	1.85	656	256	2.24	5.2	2.20	750	224	1.96	5.1	2.40	896	187	1.64	4.9	2.60	1035	162	1.42	4.7	2.70	533	315	2.76	2.9	1.20	593	283	2.48	3.2	1.35	684	245	2.15	3.4	1.50	762	220	1.93	3.6	1.55	919	183	1.60	3.6	1.65	1058	159	1.39	3.5	1.75	684	245	2.15	3.4	1.50	762	220	1.93	3.6	1.55	919	183	1.60	3.6	1.65	1058	159	1.39	3.5	1.75																																																																																																																																																																																																																																																																																																																																																																																																																																																																																																																																																																										
860	195	1.71	6.0	3.40	1021	164	1.44	5.7	3.70	404	416	3.64	5.8	1.35	445	377	3.30	5.7	1.50	503	333	2.92	5.5	1.70	557	301	2.64	5.4	1.85	656	256	2.24	5.2	2.20	750	224	1.96	5.1	2.40	896	187	1.64	4.9	2.60	1035	162	1.42	4.7	2.70	533	315	2.76	2.9	1.20	593	283	2.48	3.2	1.35	684	245	2.15	3.4	1.50	762	220	1.93	3.6	1.55	919	183	1.60	3.6	1.65	1058	159	1.39	3.5	1.75	684	245	2.15	3.4	1.50	762	220	1.93	3.6	1.55	919	183	1.60	3.6	1.65	1058	159	1.39	3.5	1.75																																																																																																																																																																																																																																																																																																																																																																																																																																																																																																																																																																															
1021	164	1.44	5.7	3.70	404	416	3.64	5.8	1.35	445	377	3.30	5.7	1.50	503	333	2.92	5.5	1.70	557	301	2.64	5.4	1.85	656	256	2.24	5.2	2.20	750	224	1.96	5.1	2.40	896	187	1.64	4.9	2.60	1035	162	1.42	4.7	2.70	533	315	2.76	2.9	1.20	593	283	2.48	3.2	1.35	684	245	2.15	3.4	1.50	762	220	1.93	3.6	1.55	919	183	1.60	3.6	1.65	1058	159	1.39	3.5	1.75	684	245	2.15	3.4	1.50	762	220	1.93	3.6	1.55	919	183	1.60	3.6	1.65	1058	159	1.39	3.5	1.75																																																																																																																																																																																																																																																																																																																																																																																																																																																																																																																																																																																				
404	416	3.64	5.8	1.35	445	377	3.30	5.7	1.50	503	333	2.92	5.5	1.70	557	301	2.64	5.4	1.85	656	256	2.24	5.2	2.20	750	224	1.96	5.1	2.40	896	187	1.64	4.9	2.60	1035	162	1.42	4.7	2.70	533	315	2.76	2.9	1.20	593	283	2.48	3.2	1.35	684	245	2.15	3.4	1.50	762	220	1.93	3.6	1.55	919	183	1.60	3.6	1.65	1058	159	1.39	3.5	1.75	684	245	2.15	3.4	1.50	762	220	1.93	3.6	1.55	919	183	1.60	3.6	1.65	1058	159	1.39	3.5	1.75																																																																																																																																																																																																																																																																																																																																																																																																																																																																																																																																																																																									
445	377	3.30	5.7	1.50	503	333	2.92	5.5	1.70	557	301	2.64	5.4	1.85	656	256	2.24	5.2	2.20	750	224	1.96	5.1	2.40	896	187	1.64	4.9	2.60	1035	162	1.42	4.7	2.70	533	315	2.76	2.9	1.20	593	283	2.48	3.2	1.35	684	245	2.15	3.4	1.50	762	220	1.93	3.6	1.55	919	183	1.60	3.6	1.65	1058	159	1.39	3.5	1.75	684	245	2.15	3.4	1.50	762	220	1.93	3.6	1.55	919	183	1.60	3.6	1.65	1058	159	1.39	3.5	1.75																																																																																																																																																																																																																																																																																																																																																																																																																																																																																																																																																																																														
503	333	2.92	5.5	1.70	557	301	2.64	5.4	1.85	656	256	2.24	5.2	2.20	750	224	1.96	5.1	2.40	896	187	1.64	4.9	2.60	1035	162	1.42	4.7	2.70	533	315	2.76	2.9	1.20	593	283	2.48	3.2	1.35	684	245	2.15	3.4	1.50	762	220	1.93	3.6	1.55	919	183	1.60	3.6	1.65	1058	159	1.39	3.5	1.75	684	245	2.15	3.4	1.50	762	220	1.93	3.6	1.55	919	183	1.60	3.6	1.65	1058	159	1.39	3.5	1.75																																																																																																																																																																																																																																																																																																																																																																																																																																																																																																																																																																																																			
557	301	2.64	5.4	1.85	656	256	2.24	5.2	2.20	750	224	1.96	5.1	2.40	896	187	1.64	4.9	2.60	1035	162	1.42	4.7	2.70	533	315	2.76	2.9	1.20	593	283	2.48	3.2	1.35	684	245	2.15	3.4	1.50	762	220	1.93	3.6	1.55	919	183	1.60	3.6	1.65	1058	159	1.39	3.5	1.75	684	245	2.15	3.4	1.50	762	220	1.93	3.6	1.55	919	183	1.60	3.6	1.65	1058	159	1.39	3.5	1.75																																																																																																																																																																																																																																																																																																																																																																																																																																																																																																																																																																																																								
656	256	2.24	5.2	2.20	750	224	1.96	5.1	2.40	896	187	1.64	4.9	2.60	1035	162	1.42	4.7	2.70	533	315	2.76	2.9	1.20	593	283	2.48	3.2	1.35	684	245	2.15	3.4	1.50	762	220	1.93	3.6	1.55	919	183	1.60	3.6	1.65	1058	159	1.39	3.5	1.75	684	245	2.15	3.4	1.50	762	220	1.93	3.6	1.55	919	183	1.60	3.6	1.65	1058	159	1.39	3.5	1.75																																																																																																																																																																																																																																																																																																																																																																																																																																																																																																																																																																																																													
750	224	1.96	5.1	2.40	896	187	1.64	4.9	2.60	1035	162	1.42	4.7	2.70	533	315	2.76	2.9	1.20	593	283	2.48	3.2	1.35	684	245	2.15	3.4	1.50	762	220	1.93	3.6	1.55	919	183	1.60	3.6	1.65	1058	159	1.39	3.5	1.75	684	245	2.15	3.4	1.50	762	220	1.93	3.6	1.55	919	183	1.60	3.6	1.65	1058	159	1.39	3.5	1.75																																																																																																																																																																																																																																																																																																																																																																																																																																																																																																																																																																																																																		
896	187	1.64	4.9	2.60	1035	162	1.42	4.7	2.70	533	315	2.76	2.9	1.20	593	283	2.48	3.2	1.35	684	245	2.15	3.4	1.50	762	220	1.93	3.6	1.55	919	183	1.60	3.6	1.65	1058	159	1.39	3.5	1.75	684	245	2.15	3.4	1.50	762	220	1.93	3.6	1.55	919	183	1.60	3.6	1.65	1058	159	1.39	3.5	1.75																																																																																																																																																																																																																																																																																																																																																																																																																																																																																																																																																																																																																							
1035	162	1.42	4.7	2.70	533	315	2.76	2.9	1.20	593	283	2.48	3.2	1.35	684	245	2.15	3.4	1.50	762	220	1.93	3.6	1.55	919	183	1.60	3.6	1.65	1058	159	1.39	3.5	1.75	684	245	2.15	3.4	1.50	762	220	1.93	3.6	1.55	919	183	1.60	3.6	1.65	1058	159	1.39	3.5	1.75																																																																																																																																																																																																																																																																																																																																																																																																																																																																																																																																																																																																																												
533	315	2.76	2.9	1.20	593	283	2.48	3.2	1.35	684	245	2.15	3.4	1.50	762	220	1.93	3.6	1.55	919	183	1.60	3.6	1.65	1058	159	1.39	3.5	1.75	684	245	2.15	3.4	1.50	762	220	1.93	3.6	1.55	919	183	1.60	3.6	1.65	1058	159	1.39	3.5	1.75																																																																																																																																																																																																																																																																																																																																																																																																																																																																																																																																																																																																																																	
593	283	2.48	3.2	1.35	684	245	2.15	3.4	1.50	762	220	1.93	3.6	1.55	919	183	1.60	3.6	1.65	1058	159	1.39	3.5	1.75	684	245	2.15	3.4	1.50	762	220	1.93	3.6	1.55	919	183	1.60	3.6	1.65	1058	159	1.39	3.5	1.75																																																																																																																																																																																																																																																																																																																																																																																																																																																																																																																																																																																																																																						
684	245	2.15	3.4	1.50	762	220	1.93	3.6	1.55	919	183	1.60	3.6	1.65	1058	159	1.39	3.5	1.75	684	245	2.15	3.4	1.50	762	220	1.93	3.6	1.55	919	183	1.60	3.6	1.65	1058	159	1.39	3.5	1.75																																																																																																																																																																																																																																																																																																																																																																																																																																																																																																																																																																																																																																											
762	220	1.93	3.6	1.55	919	183	1.60	3.6	1.65	1058	159	1.39	3.5	1.75	684	245	2.15	3.4	1.50	762	220	1.93	3.6	1.55	919	183	1.60	3.6	1.65	1058	159	1.39	3.5	1.75																																																																																																																																																																																																																																																																																																																																																																																																																																																																																																																																																																																																																																																
919	183	1.60	3.6	1.65	1058	159	1.39	3.5	1.75	684	245	2.15	3.4	1.50	762	220	1.93	3.6	1.55	919	183	1.60	3.6	1.65	1058	159	1.39	3.5	1.75																																																																																																																																																																																																																																																																																																																																																																																																																																																																																																																																																																																																																																																					
1058	159	1.39	3.5	1.75	684	245	2.15	3.4	1.50	762	220	1.93	3.6	1.55	919	183	1.60	3.6	1.65	1058	159	1.39	3.5	1.75																																																																																																																																																																																																																																																																																																																																																																																																																																																																																																																																																																																																																																																										
684	245	2.15	3.4	1.50	762	220	1.93	3.6	1.55	919	183	1.60	3.6	1.65	1058	159	1.39	3.5	1.75																																																																																																																																																																																																																																																																																																																																																																																																																																																																																																																																																																																																																																																															
762	220	1.93	3.6	1.55	919	183	1.60	3.6	1.65	1058	159	1.39	3.5	1.75																																																																																																																																																																																																																																																																																																																																																																																																																																																																																																																																																																																																																																																																				
919	183	1.60	3.6	1.65	1058	159	1.39	3.5	1.75																																																																																																																																																																																																																																																																																																																																																																																																																																																																																																																																																																																																																																																																									
1058	159	1.39	3.5	1.75																																																																																																																																																																																																																																																																																																																																																																																																																																																																																																																																																																																																																																																																														

选型参数表
(恒功率)

Selection Table
(Constant Power)

n_a [r/min]	Ma [Nm]	i	F_{ra} [kN]	f_B	机型号 Type size	极数 Pole	n_a [r/min]	Ma [Nm]	i	F_{ra} [kN]	f_B	机型号 Type size	极数 Pole																																																																																																																																																																																																																																																																																																																																																																																																																																																									
22kW							22kW																																																																																																																																																																																																																																																																																																																																																																																																																																																															
4.7	46281	315	128	0.80	GR177R107 GRF177R107	4P	94	2125	15.65	18	1.90	GR107 GRF107	4P																																																																																																																																																																																																																																																																																																																																																																																																																																																									
5.3	40992	279	128	0.90			5.8	37318	254	128	1.00			6.7	32029	218	128	1.15	7.7	27915	190	128	1.30	9.1	23655	161	128	1.55	4.9	43306	303	128	0.85	GR177R97 GRF177R97	4P	108	1855	13.66	17	2.20	5.3	37725	183.34	128	0.90	GR177 GRF177	6P	127	1574	11.59	16	2.60	5.9	33866	164.59	128	1.05	6.7	29810	144.87	128	1.15	7.6	26186	127.26	128	1.30	7.3	27364	201.53	128	1.25	GR177 GRF177	4P	145	1375	10.13	16	3.00	8.0	24893	183.34	128	1.40	8.9	22347	164.59	128	1.55	10	19670	144.87	128	1.75	12	17279	127.26	116	2.00	9.7	20592	151.66	114	0.80	GR167 GRF167	4P	172	1162	8.56	15	3.50	10	19036	140.20	114	0.90	12	16649	122.62	114	1.05	14	14239	104.87	114	1.15	16	12651	93.17	114	1.35	18	11308	83.28	114	1.50	20	9954	73.31	114	1.70	22	9203	67.78	114	1.85	25	8048	59.27	114	2.10	29	6883	50.69	114	2.40	33	6115	45.04	114	2.80	37	5466	40.26	114	3.10	42	4752	35.00	114	3.50	14	14758	108.69	39	0.85	GR147 GRF147	4P	187	1067	7.86	15	2.60	16	12868	94.77	58	0.95	18	11320	83.37	61	1.10	21	9623	70.87	64	1.25	22	9070	66.80	65	1.35	24	8269	60.90	66	1.50	28	7209	53.09	67	1.70	31	6342	46.71	68	1.95	37	5390	39.70	69	2.20	42	4748	34.97	69	2.50	49	4114	30.30	70	3.00	72	2775	20.44	70	4.00	22	8904	65.58	45	0.85	GR137 GRF137	4P	221	904	6.66	15	3.10	25	8080	59.51	49	0.95	29	6945	51.15	52	1.10	33	6063	44.65	54	1.25	39	5142	37.87	55	1.50	44	4494	33.10	56	1.70	53	3800	27.99	57	1.90	49	4073	30.00	56	1.85	GR137 GRF137	4P	253	790	5.82	14	3.60	60	3310	24.38	57	2.30	66	3017	22.22	57	2.50	76	2631	19.38	57	2.90	86	2315	17.05	58	3.30	101	1967	14.49	58	3.80	115	1733	12.76	58	4.30	42	4788	35.26	6.9	0.85	GR107	4P	73	2735	20.14	13	0.90	50	4004	29.49	19	1.00	GRF107	4P	81	2477	18.24	13	0.95	59	3381	24.90	19	1.20	GR107 GRF107	4P	91	2196	16.17	13	1.05	65	3071	22.62	19	1.35	73	2725	20.07	18	1.50	81	2473	18.21	18	1.65								30kW														6.7	43676.2	218	128	0.85	GR177R107	4P								7.7	38066.4	190	128	0.95	GRF177R107								9.1	32256.3	161	128	1.15																												
5.8	37318	254	128	1.00			6.7	32029	218	128	1.15			7.7	27915	190	128	1.30	9.1	23655	161	128	1.55	4.9	43306	303	128	0.85	GR177R97 GRF177R97	4P	108	1855	13.66	17	2.20	5.3	37725	183.34	128	0.90	GR177 GRF177	6P	127	1574	11.59			16	2.60	5.9	33866	164.59	128	1.05	6.7	29810	144.87	128	1.15	7.6	26186	127.26	128	1.30	7.3	27364	201.53	128	1.25	GR177 GRF177	4P	145			1375	10.13	16	3.00	8.0	24893	183.34	128	1.40	8.9	22347	164.59	128	1.55	10	19670	144.87	128	1.75	12	17279	127.26	116	2.00	9.7	20592	151.66	114	0.80	GR167 GRF167			4P	172	1162	8.56	15	3.50	10	19036	140.20	114	0.90	12	16649	122.62	114	1.05	14	14239	104.87	114	1.15	16	12651	93.17	114	1.35	18	11308	83.28	114	1.50	20	9954	73.31	114	1.70	22	9203	67.78	114	1.85	25	8048	59.27	114	2.10	29	6883	50.69	114	2.40	33	6115	45.04	114	2.80	37	5466	40.26	114	3.10	42	4752	35.00	114	3.50	14	14758	108.69	39			0.85	GR147 GRF147	4P	187	1067	7.86	15	2.60	16	12868	94.77	58	0.95	18	11320	83.37	61	1.10	21	9623	70.87	64	1.25	22	9070	66.80	65	1.35	24	8269	60.90	66	1.50	28	7209	53.09	67	1.70	31	6342	46.71	68	1.95	37	5390	39.70	69	2.20	42	4748	34.97	69	2.50	49	4114	30.30	70	3.00	72	2775	20.44	70	4.00	22	8904			65.58	45	0.85	GR137 GRF137	4P	221	904	6.66	15	3.10	25	8080	59.51	49	0.95	29	6945	51.15	52	1.10	33	6063	44.65	54	1.25	39	5142	37.87	55	1.50	44	4494	33.10	56	1.70	53	3800	27.99	57	1.90			49	4073	30.00	56	1.85	GR137 GRF137	4P	253	790	5.82	14	3.60	60	3310	24.38	57	2.30	66	3017	22.22	57	2.50	76	2631	19.38	57	2.90	86	2315	17.05	58	3.30	101	1967	14.49	58	3.80	115	1733	12.76	58	4.30	42	4788	35.26	6.9	0.85	GR107	4P	73	2735	20.14	13	0.90	50	4004	29.49	19	1.00	GRF107	4P	81	2477	18.24			13	0.95	59	3381	24.90	19	1.20	GR107 GRF107	4P	91	2196	16.17	13	1.05	65	3071	22.62	19	1.35	73	2725	20.07	18	1.50	81	2473	18.21	18	1.65								30kW														6.7	43676.2	218	128	0.85	GR177R107	4P								7.7	38066.4	190	128	0.95	GRF177R107								9.1	32256.3	161	128	1.15																			
6.7	32029	218	128	1.15			7.7	27915	190	128	1.30			9.1	23655	161	128	1.55	4.9	43306	303	128	0.85	GR177R97 GRF177R97	4P	108	1855	13.66	17	2.20	5.3	37725	183.34	128	0.90	GR177 GRF177	6P	127	1574	11.59			16	2.60	5.9			33866	164.59	128	1.05	6.7	29810	144.87	128	1.15	7.6	26186	127.26	128	1.30	7.3	27364	201.53	128	1.25	GR177 GRF177	4P	145			1375			10.13	16	3.00	8.0	24893	183.34	128	1.40	8.9	22347	164.59	128	1.55	10	19670	144.87	128	1.75	12	17279	127.26	116	2.00	9.7	20592	151.66	114	0.80	GR167 GRF167					4P	172	1162	8.56	15	3.50	10	19036	140.20	114	0.90	12	16649	122.62	114	1.05	14	14239	104.87	114	1.15	16	12651	93.17	114	1.35	18	11308	83.28	114	1.50	20	9954	73.31	114	1.70	22	9203	67.78	114	1.85	25	8048	59.27	114	2.10	29	6883	50.69	114	2.40	33	6115	45.04	114	2.80	37	5466	40.26	114	3.10	42	4752	35.00	114	3.50	14	14758	108.69			39			0.85	GR147 GRF147	4P	187	1067	7.86	15	2.60	16	12868	94.77	58	0.95	18	11320	83.37	61	1.10	21	9623	70.87	64	1.25	22	9070	66.80	65	1.35	24	8269	60.90	66	1.50	28	7209	53.09	67	1.70	31	6342	46.71	68	1.95	37	5390	39.70	69	2.20	42	4748	34.97	69	2.50	49	4114	30.30	70	3.00	72	2775	20.44	70			4.00	22	8904			65.58	45	0.85	GR137 GRF137	4P	221	904	6.66	15	3.10	25	8080	59.51	49	0.95	29	6945	51.15	52	1.10	33	6063	44.65	54	1.25	39	5142	37.87	55	1.50	44	4494	33.10	56	1.70			53	3800	27.99	57	1.90			49	4073	30.00	56	1.85	GR137 GRF137	4P	253	790	5.82	14	3.60	60	3310	24.38	57	2.30	66	3017	22.22	57	2.50	76	2631	19.38	57	2.90	86	2315	17.05	58	3.30	101	1967	14.49	58	3.80	115	1733	12.76	58	4.30	42	4788	35.26	6.9	0.85	GR107	4P	73	2735	20.14	13	0.90	50	4004	29.49			19	1.00	GRF107	4P	81	2477	18.24			13	0.95	59	3381	24.90	19	1.20	GR107 GRF107	4P	91	2196	16.17	13	1.05	65	3071	22.62	19	1.35	73	2725	20.07	18	1.50	81	2473	18.21	18	1.65								30kW														6.7	43676.2	218	128	0.85	GR177R107	4P								7.7	38066.4	190	128	0.95	GRF177R107								9.1	32256.3	161	128	1.15										
7.7	27915	190	128	1.30			9.1	23655	161	128	1.55			4.9	43306	303	128	0.85	GR177R97 GRF177R97	4P	108	1855	13.66	17	2.20	5.3	37725	183.34	128	0.90	GR177 GRF177	6P	127	1574	11.59			16	2.60	5.9			33866	164.59	128			1.05	6.7	29810	144.87	128	1.15	7.6	26186	127.26	128	1.30	7.3	27364	201.53	128	1.25	GR177 GRF177	4P	145			1375			10.13			16	3.00	8.0	24893	183.34	128	1.40	8.9	22347	164.59	128	1.55	10	19670	144.87	128	1.75	12	17279	127.26	116	2.00	9.7	20592	151.66	114	0.80	GR167 GRF167							4P	172	1162	8.56	15	3.50	10	19036	140.20	114	0.90	12	16649	122.62	114	1.05	14	14239	104.87	114	1.15	16	12651	93.17	114	1.35	18	11308	83.28	114	1.50	20	9954	73.31	114	1.70	22	9203	67.78	114	1.85	25	8048	59.27	114	2.10	29	6883	50.69	114	2.40	33	6115	45.04	114	2.80	37	5466	40.26	114	3.10	42	4752	35.00	114	3.50	14	14758			108.69			39			0.85	GR147 GRF147	4P	187	1067	7.86	15	2.60	16	12868	94.77	58	0.95	18	11320	83.37	61	1.10	21	9623	70.87	64	1.25	22	9070	66.80	65	1.35	24	8269	60.90	66	1.50	28	7209	53.09	67	1.70	31	6342	46.71	68	1.95	37	5390	39.70	69	2.20	42	4748	34.97	69	2.50	49	4114	30.30	70	3.00	72			2775	20.44	70			4.00	22	8904			65.58	45	0.85	GR137 GRF137	4P	221	904	6.66	15	3.10	25	8080	59.51	49	0.95	29	6945	51.15	52	1.10	33	6063	44.65	54	1.25	39	5142	37.87	55	1.50			44	4494	33.10	56	1.70			53	3800	27.99	57	1.90			49	4073	30.00	56	1.85	GR137 GRF137	4P	253	790	5.82	14	3.60	60	3310	24.38	57	2.30	66	3017	22.22	57	2.50	76	2631	19.38	57	2.90	86	2315	17.05	58	3.30	101	1967	14.49	58	3.80	115	1733	12.76	58	4.30	42	4788	35.26	6.9	0.85	GR107	4P	73			2735	20.14	13	0.90	50	4004	29.49			19	1.00	GRF107	4P	81	2477	18.24			13	0.95	59	3381	24.90	19	1.20	GR107 GRF107	4P	91	2196	16.17	13	1.05	65	3071	22.62	19	1.35	73	2725	20.07	18	1.50	81	2473	18.21	18	1.65								30kW														6.7	43676.2	218	128	0.85	GR177R107	4P								7.7	38066.4	190	128	0.95	GRF177R107								9.1	32256.3	161	128	1.15	
9.1	23655	161	128	1.55			4.9	43306	303	128	0.85			GR177R97 GRF177R97	4P	108	1855	13.66	17	2.20	5.3	37725	183.34	128	0.90	GR177 GRF177	6P	127	1574	11.59			16	2.60	5.9			33866	164.59	128			1.05	6.7	29810	144.87	128	1.15	7.6	26186	127.26	128	1.30	7.3	27364	201.53	128	1.25	GR177 GRF177	4P	145	1375	10.13			16			3.00			8.0			24893	183.34	128	1.40	8.9	22347	164.59	128	1.55	10	19670	144.87	128	1.75	12	17279	127.26	116	2.00	9.7	20592	151.66	114	0.80	GR167 GRF167	4P	172									1162	8.56	15	3.50	10	19036	140.20	114	0.90	12	16649	122.62	114	1.05	14	14239	104.87	114	1.15	16	12651	93.17	114	1.35	18	11308	83.28	114	1.50	20	9954	73.31	114	1.70	22	9203	67.78	114	1.85	25	8048	59.27	114	2.10	29	6883	50.69	114	2.40	33	6115	45.04	114	2.80	37	5466	40.26	114	3.10	42	4752	35.00	114	3.50	14	14758	108.69			39			0.85			GR147 GRF147			4P	187	1067	7.86	15	2.60	16	12868	94.77	58	0.95	18	11320	83.37	61	1.10	21	9623	70.87	64	1.25	22	9070	66.80	65	1.35	24	8269	60.90	66	1.50	28	7209	53.09	67	1.70	31	6342	46.71	68	1.95	37	5390	39.70	69	2.20	42	4748	34.97	69	2.50	49	4114	30.30	70	3.00			72	2775	20.44			70	4.00	22			8904	65.58	45			0.85	GR137 GRF137	4P	221	904	6.66	15	3.10	25	8080	59.51	49	0.95	29	6945	51.15	52	1.10	33	6063	44.65	54	1.25	39	5142			37.87	55	1.50	44	4494			33.10	56	1.70	53	3800			27.99	57	1.90	49	4073			30.00	56	1.85	GR137 GRF137	4P	253	790	5.82	14	3.60	60	3310	24.38	57	2.30	66	3017	22.22	57	2.50	76	2631	19.38	57	2.90	86	2315	17.05	58	3.30	101	1967	14.49	58	3.80	115	1733	12.76	58	4.30	42	4788	35.26	6.9	0.85	GR107	4P	73	2735	20.14	13	0.90			50	4004	29.49	19	1.00	GRF107	4P			81	2477	18.24	13	0.95	59	3381			24.90	19	1.20	GR107 GRF107	4P	91	2196	16.17	13	1.05	65	3071	22.62	19	1.35	73	2725	20.07	18	1.50	81	2473	18.21	18	1.65								30kW														6.7		43676.2	218	128	0.85	GR177R107	4P								7.7	38066.4	190	128	0.95	GRF177R107							
4.9	43306	303	128	0.85	GR177R97 GRF177R97	4P	108	1855	13.66	17	2.20																																																																																																																																																																																																																																																																																																																																																																																																																																																											
5.3	37725	183.34	128	0.90	GR177 GRF177	6P	127	1574	11.59	16	2.60																																																																																																																																																																																																																																																																																																																																																																																																																																																											
5.9	33866	164.59	128	1.05																																																																																																																																																																																																																																																																																																																																																																																																																																																																		
6.7	29810	144.87	128	1.15																																																																																																																																																																																																																																																																																																																																																																																																																																																																		
7.6	26186	127.26	128	1.30																																																																																																																																																																																																																																																																																																																																																																																																																																																																		
7.3	27364	201.53	128	1.25	GR177 GRF177	4P	145	1375	10.13	16	3.00																																																																																																																																																																																																																																																																																																																																																																																																																																																											
8.0	24893	183.34	128	1.40																																																																																																																																																																																																																																																																																																																																																																																																																																																																		
8.9	22347	164.59	128	1.55																																																																																																																																																																																																																																																																																																																																																																																																																																																																		
10	19670	144.87	128	1.75																																																																																																																																																																																																																																																																																																																																																																																																																																																																		
12	17279	127.26	116	2.00																																																																																																																																																																																																																																																																																																																																																																																																																																																																		
9.7	20592	151.66	114	0.80			GR167 GRF167	4P	172	1162	8.56	15	3.50																																																																																																																																																																																																																																																																																																																																																																																																																																																									
10	19036	140.20	114	0.90																																																																																																																																																																																																																																																																																																																																																																																																																																																																		
12	16649	122.62	114	1.05																																																																																																																																																																																																																																																																																																																																																																																																																																																																		
14	14239	104.87	114	1.15																																																																																																																																																																																																																																																																																																																																																																																																																																																																		
16	12651	93.17	114	1.35																																																																																																																																																																																																																																																																																																																																																																																																																																																																		
18	11308	83.28	114	1.50																																																																																																																																																																																																																																																																																																																																																																																																																																																																		
20	9954	73.31	114	1.70																																																																																																																																																																																																																																																																																																																																																																																																																																																																		
22	9203	67.78	114	1.85																																																																																																																																																																																																																																																																																																																																																																																																																																																																		
25	8048	59.27	114	2.10																																																																																																																																																																																																																																																																																																																																																																																																																																																																		
29	6883	50.69	114	2.40																																																																																																																																																																																																																																																																																																																																																																																																																																																																		
33	6115	45.04	114	2.80																																																																																																																																																																																																																																																																																																																																																																																																																																																																		
37	5466	40.26	114	3.10																																																																																																																																																																																																																																																																																																																																																																																																																																																																		
42	4752	35.00	114	3.50																																																																																																																																																																																																																																																																																																																																																																																																																																																																		
14	14758	108.69	39	0.85	GR147 GRF147	4P			187	1067	7.86	15	2.60																																																																																																																																																																																																																																																																																																																																																																																																																																																									
16	12868	94.77	58	0.95																																																																																																																																																																																																																																																																																																																																																																																																																																																																		
18	11320	83.37	61	1.10																																																																																																																																																																																																																																																																																																																																																																																																																																																																		
21	9623	70.87	64	1.25																																																																																																																																																																																																																																																																																																																																																																																																																																																																		
22	9070	66.80	65	1.35																																																																																																																																																																																																																																																																																																																																																																																																																																																																		
24	8269	60.90	66	1.50																																																																																																																																																																																																																																																																																																																																																																																																																																																																		
28	7209	53.09	67	1.70																																																																																																																																																																																																																																																																																																																																																																																																																																																																		
31	6342	46.71	68	1.95																																																																																																																																																																																																																																																																																																																																																																																																																																																																		
37	5390	39.70	69	2.20																																																																																																																																																																																																																																																																																																																																																																																																																																																																		
42	4748	34.97	69	2.50																																																																																																																																																																																																																																																																																																																																																																																																																																																																		
49	4114	30.30	70	3.00																																																																																																																																																																																																																																																																																																																																																																																																																																																																		
72	2775	20.44	70	4.00																																																																																																																																																																																																																																																																																																																																																																																																																																																																		
22	8904	65.58	45	0.85			GR137 GRF137	4P	221	904	6.66	15	3.10																																																																																																																																																																																																																																																																																																																																																																																																																																																									
25	8080	59.51	49	0.95																																																																																																																																																																																																																																																																																																																																																																																																																																																																		
29	6945	51.15	52	1.10																																																																																																																																																																																																																																																																																																																																																																																																																																																																		
33	6063	44.65	54	1.25																																																																																																																																																																																																																																																																																																																																																																																																																																																																		
39	5142	37.87	55	1.50																																																																																																																																																																																																																																																																																																																																																																																																																																																																		
44	4494	33.10	56	1.70																																																																																																																																																																																																																																																																																																																																																																																																																																																																		
53	3800	27.99	57	1.90																																																																																																																																																																																																																																																																																																																																																																																																																																																																		
49	4073	30.00	56	1.85	GR137 GRF137	4P	253	790	5.82	14	3.60																																																																																																																																																																																																																																																																																																																																																																																																																																																											
60	3310	24.38	57	2.30																																																																																																																																																																																																																																																																																																																																																																																																																																																																		
66	3017	22.22	57	2.50																																																																																																																																																																																																																																																																																																																																																																																																																																																																		
76	2631	19.38	57	2.90																																																																																																																																																																																																																																																																																																																																																																																																																																																																		
86	2315	17.05	58	3.30																																																																																																																																																																																																																																																																																																																																																																																																																																																																		
101	1967	14.49	58	3.80																																																																																																																																																																																																																																																																																																																																																																																																																																																																		
115	1733	12.76	58	4.30																																																																																																																																																																																																																																																																																																																																																																																																																																																																		
42	4788	35.26	6.9	0.85	GR107	4P	73	2735	20.14	13	0.90																																																																																																																																																																																																																																																																																																																																																																																																																																																											
50	4004	29.49	19	1.00	GRF107	4P	81	2477	18.24	13	0.95																																																																																																																																																																																																																																																																																																																																																																																																																																																											
59	3381	24.90	19	1.20	GR107 GRF107	4P	91	2196	16.17	13	1.05																																																																																																																																																																																																																																																																																																																																																																																																																																																											
65	3071	22.62	19	1.35																																																																																																																																																																																																																																																																																																																																																																																																																																																																		
73	2725	20.07	18	1.50																																																																																																																																																																																																																																																																																																																																																																																																																																																																		
81	2473	18.21	18	1.65																																																																																																																																																																																																																																																																																																																																																																																																																																																																		
							30kW																																																																																																																																																																																																																																																																																																																																																																																																																																																															
							6.7	43676.2	218	128	0.85	GR177R107	4P																																																																																																																																																																																																																																																																																																																																																																																																																																																									
							7.7	38066.4	190	128	0.95	GRF177R107																																																																																																																																																																																																																																																																																																																																																																																																																																																										
							9.1	32256.3	161	128	1.15																																																																																																																																																																																																																																																																																																																																																																																																																																																											

选型参数表
(恒功率)

Selection Table
(Constant Power)

n_a [r/min]	Ma [Nm]	i	F_{ra} [kN]	f_B	机型号 Type size	极数 Pole	n_a [r/min]	Ma [Nm]	i	F_{ra} [kN]	f_B	机型号 Type size	极数 Pole																																																																																																																																																																																																																																																																																																																																									
30kW							30kW																																																																																																																																																																																																																																																																																																																																															
8.0	33945	183.34	128	1.00	GR177 GRF177	4P	101	2707	14.62	11	0.80	GR97 GRF97	4P																																																																																																																																																																																																																																																																																																																																									
8.9	30473	164.59	128	1.15			10	26823	144.87	128	1.30			12	23563	127.26	128	1.45	13	21348	115.30	128	1.65	14	18869	101.91	128	1.85	16	16877	91.15	128	2.05	19	14466	78.13	128	2.40	23	11802	63.74	128	2.95	26	10556	57.01	128	3.30	14	19417	104.87	114	0.85	GR167 GRF167	4P	377	760	3.90	5.9	1.80	GRX137 GRXF137	4P	16	17251	93.17	114	1.00	18	15420	83.28	114	1.10	20	13574	73.31	114	1.25	22	12550	67.78	114	1.35	25	10974	59.27	114	1.55	29	9385	50.69	114	1.80	33	8339	45.04	114	2.10	37	7454	40.26	114	2.30	42	6480	35.00	114	2.70	52	5258	28.40	114	3.30	GR147 GRF147	4P	474	604	3.10	6.5	2.50	60	4538	24.51	114	3.90	18	15436	83.37	31	0.80	21	13122	70.87	57	0.95	22	12368	66.80	59	1.00	24	11276	60.90	61	1.10	28	9830	53.09	64	1.25	31	8648	46.71	66	1.45	37	7351	39.70	67	1.65	42	6475	34.97	68	1.85	49	5610	30.30	69	2.20	61	4462	24.10	69	2.50	72	3785	20.44	70	3.00	GR137 GRF137	4P	634	452	2.32	5.9	2.70	84	3236	17.48	70	3.00	95	2875	15.53	70	4.30	29	9471	51.15	34	0.80	33	8267	44.65	49	0.90	39	7012	37.87	52	1.10	44	6129	33.10	54	1.25	53	5182	27.99	55	1.40	60	4514	24.38	56	1.70	66	4114	22.22	56	1.85	76	3588	19.38	57	2.20	86	3157	17.05	57	2.40	101	2683	14.49	57	2.80	115	2363	12.76	55	3.20	133	2048	11.06	54	3.80	197	1379	7.45	51	3.50	228	1194	6.45	49	4.10	73	3716	20.07	17	1.10	81	3372	18.21	17	1.20	94	2898	15.65	16	1.40	108	2529	13.66	16	1.60	127	2146	11.59	15	1.90	145	1876	10.13	15	2.20	172	1585	8.56	15	2.60	187	1455	7.86	15	1.95	221	1233	6.66	14	2.30	253	1078	5.82	14	2.60	299	911	4.92	13	3.00																					
10	26823	144.87	128	1.30			12	23563	127.26	128	1.45			13	21348	115.30	128	1.65	14	18869	101.91	128	1.85	16	16877	91.15	128	2.05	19	14466	78.13	128	2.40	23	11802	63.74	128	2.95	26	10556	57.01	128	3.30	14	19417	104.87	114	0.85	GR167 GRF167	4P	377	760	3.90			5.9	1.80	GRX137 GRXF137	4P	16			17251	93.17	114	1.00	18	15420	83.28	114	1.10	20	13574	73.31	114	1.25	22	12550	67.78	114	1.35	25	10974	59.27	114	1.55	29	9385	50.69	114	1.80	33	8339	45.04	114	2.10	37	7454	40.26	114	2.30	42	6480	35.00	114	2.70	52	5258	28.40	114	3.30	GR147 GRF147			4P	474	604	3.10	6.5	2.50	60	4538	24.51	114	3.90	18	15436	83.37	31	0.80	21	13122	70.87	57	0.95	22	12368	66.80	59	1.00	24	11276	60.90	61	1.10	28	9830	53.09	64	1.25	31	8648	46.71	66	1.45	37	7351	39.70	67	1.65	42	6475	34.97	68	1.85	49	5610	30.30	69	2.20	61	4462	24.10	69	2.50	72	3785	20.44	70			3.00	GR137 GRF137	4P	634	452	2.32	5.9	2.70	84	3236	17.48	70	3.00	95	2875	15.53	70	4.30	29	9471	51.15	34	0.80	33	8267	44.65	49	0.90	39	7012	37.87	52	1.10	44	6129	33.10	54	1.25	53	5182	27.99	55	1.40	60	4514	24.38	56	1.70	66	4114	22.22	56	1.85	76	3588	19.38	57	2.20	86	3157	17.05	57	2.40	101	2683	14.49	57	2.80	115	2363	12.76	55	3.20	133	2048	11.06	54	3.80	197	1379	7.45	51	3.50	228	1194	6.45	49	4.10	73	3716	20.07	17	1.10	81	3372	18.21	17	1.20	94	2898	15.65	16	1.40	108	2529	13.66	16	1.60	127	2146	11.59	15	1.90	145	1876	10.13	15	2.20	172	1585	8.56	15	2.60	187	1455	7.86	15	1.95	221	1233	6.66	14	2.30	253	1078	5.82	14	2.60	299	911	4.92	13	3.00																		
12	23563	127.26	128	1.45			13	21348	115.30	128	1.65			14	18869	101.91	128	1.85	16	16877	91.15	128	2.05	19	14466	78.13	128	2.40	23	11802	63.74	128	2.95	26	10556	57.01	128	3.30	14	19417	104.87	114	0.85	GR167 GRF167	4P	377	760	3.90			5.9	1.80	GRX137 GRXF137			4P	16			17251			93.17	114	1.00	18	15420	83.28	114	1.10	20	13574	73.31	114	1.25	22	12550	67.78	114	1.35	25	10974	59.27	114	1.55	29	9385	50.69	114	1.80	33	8339	45.04	114	2.10	37	7454	40.26	114	2.30	42	6480	35.00	114	2.70	52	5258	28.40	114	3.30	GR147 GRF147					4P	474	604	3.10	6.5	2.50	60	4538	24.51	114	3.90	18	15436	83.37	31	0.80	21	13122	70.87	57	0.95	22	12368	66.80	59	1.00	24	11276	60.90	61	1.10	28	9830	53.09	64	1.25	31	8648	46.71	66	1.45	37	7351	39.70	67	1.65	42	6475	34.97	68	1.85	49	5610	30.30	69	2.20	61	4462	24.10	69	2.50	72	3785	20.44			70			3.00	GR137 GRF137	4P	634	452	2.32	5.9	2.70	84	3236	17.48	70	3.00	95	2875	15.53	70	4.30	29	9471	51.15	34	0.80	33	8267	44.65	49	0.90	39	7012	37.87	52	1.10	44	6129	33.10	54	1.25	53	5182	27.99	55	1.40	60	4514	24.38	56	1.70	66	4114	22.22	56	1.85	76	3588	19.38	57	2.20	86	3157	17.05	57	2.40	101	2683	14.49	57	2.80	115	2363	12.76	55	3.20	133	2048	11.06	54	3.80	197	1379	7.45	51	3.50	228	1194	6.45	49	4.10	73	3716	20.07	17	1.10	81	3372	18.21	17	1.20	94	2898	15.65	16	1.40	108	2529	13.66	16	1.60	127	2146	11.59	15	1.90	145	1876	10.13	15	2.20	172	1585	8.56	15	2.60	187	1455	7.86	15	1.95	221	1233	6.66	14	2.30	253	1078	5.82	14	2.60	299	911	4.92	13	3.00															
13	21348	115.30	128	1.65			14	18869	101.91	128	1.85			16	16877	91.15	128	2.05	19	14466	78.13	128	2.40	23	11802	63.74	128	2.95	26	10556	57.01	128	3.30	14	19417	104.87	114	0.85	GR167 GRF167	4P	377	760	3.90			5.9	1.80	GRX137 GRXF137			4P	16					17251			93.17			114	1.00	18	15420	83.28	114	1.10	20	13574	73.31	114	1.25	22	12550	67.78	114	1.35	25	10974	59.27	114	1.55	29	9385	50.69	114	1.80	33	8339	45.04	114	2.10	37	7454	40.26	114	2.30	42	6480	35.00	114	2.70	52	5258	28.40	114	3.30	GR147 GRF147							4P	474	604	3.10	6.5	2.50	60	4538	24.51	114	3.90	18	15436	83.37	31	0.80	21	13122	70.87	57	0.95	22	12368	66.80	59	1.00	24	11276	60.90	61	1.10	28	9830	53.09	64	1.25	31	8648	46.71	66	1.45	37	7351	39.70	67	1.65	42	6475	34.97	68	1.85	49	5610	30.30	69	2.20	61	4462	24.10	69	2.50	72	3785			20.44			70			3.00	GR137 GRF137	4P	634	452	2.32	5.9	2.70	84	3236	17.48	70	3.00	95	2875	15.53	70	4.30	29	9471	51.15	34	0.80	33	8267	44.65	49	0.90	39	7012	37.87	52	1.10	44	6129	33.10	54	1.25	53	5182	27.99	55	1.40	60	4514	24.38	56	1.70	66	4114	22.22	56	1.85	76	3588	19.38	57	2.20	86	3157	17.05	57	2.40	101	2683	14.49	57	2.80	115	2363	12.76	55	3.20	133	2048	11.06	54	3.80	197	1379	7.45	51	3.50	228	1194	6.45	49	4.10	73	3716	20.07	17	1.10	81	3372	18.21	17	1.20	94	2898	15.65	16	1.40	108	2529	13.66	16	1.60	127	2146	11.59	15	1.90	145	1876	10.13	15	2.20	172	1585	8.56	15	2.60	187	1455	7.86	15	1.95	221	1233	6.66	14	2.30	253	1078	5.82	14	2.60	299	911	4.92	13	3.00												
14	18869	101.91	128	1.85			16	16877	91.15	128	2.05			19	14466	78.13	128	2.40	23	11802	63.74	128	2.95	26	10556	57.01	128	3.30	14	19417	104.87	114	0.85	GR167 GRF167	4P	377	760	3.90			5.9	1.80	GRX137 GRXF137			4P	16					17251					93.17			114			1.00	18	15420	83.28	114	1.10	20	13574	73.31	114	1.25	22	12550	67.78	114	1.35	25	10974	59.27	114	1.55	29	9385	50.69	114	1.80	33	8339	45.04	114	2.10	37	7454	40.26	114	2.30	42	6480	35.00	114	2.70	52	5258	28.40	114	3.30	GR147 GRF147									4P	474	604	3.10	6.5	2.50	60	4538	24.51	114	3.90	18	15436	83.37	31	0.80	21	13122	70.87	57	0.95	22	12368	66.80	59	1.00	24	11276	60.90	61	1.10	28	9830	53.09	64	1.25	31	8648	46.71	66	1.45	37	7351	39.70	67	1.65	42	6475	34.97	68	1.85	49	5610	30.30	69	2.20	61	4462	24.10	69	2.50	72			3785			20.44			70			3.00	GR137 GRF137	4P	634	452	2.32	5.9	2.70	84	3236	17.48	70	3.00	95	2875	15.53	70	4.30	29	9471	51.15	34	0.80	33	8267	44.65	49	0.90	39	7012	37.87	52	1.10	44	6129	33.10	54	1.25	53	5182	27.99	55	1.40	60	4514	24.38	56	1.70	66	4114	22.22	56	1.85	76	3588	19.38	57	2.20	86	3157	17.05	57	2.40	101	2683	14.49	57	2.80	115	2363	12.76	55	3.20	133	2048	11.06	54	3.80	197	1379	7.45	51	3.50	228	1194	6.45	49	4.10	73	3716	20.07	17	1.10	81	3372	18.21	17	1.20	94	2898	15.65	16	1.40	108	2529	13.66	16	1.60	127	2146	11.59	15	1.90	145	1876	10.13	15	2.20	172	1585	8.56	15	2.60	187	1455	7.86	15	1.95	221	1233	6.66	14	2.30	253	1078	5.82	14	2.60	299	911	4.92	13	3.00									
16	16877	91.15	128	2.05			19	14466	78.13	128	2.40			23	11802	63.74	128	2.95	26	10556	57.01	128	3.30	14	19417	104.87	114	0.85	GR167 GRF167	4P	377	760	3.90			5.9	1.80	GRX137 GRXF137			4P	16					17251					93.17					114			1.00			18	15420	83.28	114	1.10	20	13574	73.31	114	1.25	22	12550	67.78	114	1.35	25	10974	59.27	114	1.55	29	9385	50.69	114	1.80	33	8339	45.04	114	2.10	37	7454	40.26	114	2.30	42	6480	35.00	114	2.70	52	5258	28.40	114	3.30	GR147 GRF147											4P	474	604	3.10	6.5	2.50	60	4538	24.51	114	3.90	18	15436	83.37	31	0.80	21	13122	70.87	57	0.95	22	12368	66.80	59	1.00	24	11276	60.90	61	1.10	28	9830	53.09	64	1.25	31	8648	46.71	66	1.45	37	7351	39.70	67	1.65	42	6475	34.97	68	1.85	49	5610	30.30	69	2.20	61	4462	24.10	69	2.50			72			3785			20.44			70			3.00	GR137 GRF137	4P	634	452	2.32	5.9	2.70	84	3236	17.48	70	3.00	95	2875	15.53	70	4.30	29	9471	51.15	34	0.80	33	8267	44.65	49	0.90	39	7012	37.87	52	1.10	44	6129	33.10	54	1.25	53	5182	27.99	55	1.40	60	4514	24.38	56	1.70	66	4114	22.22	56	1.85	76	3588	19.38	57	2.20	86	3157	17.05	57	2.40	101	2683	14.49	57	2.80	115	2363	12.76	55	3.20	133	2048	11.06	54	3.80	197	1379	7.45	51	3.50	228	1194	6.45	49	4.10	73	3716	20.07	17	1.10	81	3372	18.21	17	1.20	94	2898	15.65	16	1.40	108	2529	13.66	16	1.60	127	2146	11.59	15	1.90	145	1876	10.13	15	2.20	172	1585	8.56	15	2.60	187	1455	7.86	15	1.95	221	1233	6.66	14	2.30	253	1078	5.82	14	2.60	299	911	4.92	13	3.00						
19	14466	78.13	128	2.40			23	11802	63.74	128	2.95			26	10556	57.01	128	3.30	14	19417	104.87	114	0.85	GR167 GRF167	4P	377	760	3.90			5.9	1.80	GRX137 GRXF137			4P	16					17251					93.17					114					1.00			18			15420	83.28	114	1.10	20	13574	73.31	114	1.25	22	12550	67.78	114	1.35	25	10974	59.27	114	1.55	29	9385	50.69	114	1.80	33	8339	45.04	114	2.10	37	7454	40.26	114	2.30	42	6480	35.00	114	2.70	52	5258	28.40	114	3.30	GR147 GRF147													4P	474	604	3.10	6.5	2.50	60	4538	24.51	114	3.90	18	15436	83.37	31	0.80	21	13122	70.87	57	0.95	22	12368	66.80	59	1.00	24	11276	60.90	61	1.10	28	9830	53.09	64	1.25	31	8648	46.71	66	1.45	37	7351	39.70	67	1.65	42	6475	34.97	68	1.85	49	5610	30.30	69	2.20	61	4462	24.10	69			2.50			72			3785			20.44			70			3.00	GR137 GRF137	4P	634	452	2.32	5.9	2.70	84	3236	17.48	70	3.00	95	2875	15.53	70	4.30	29	9471	51.15	34	0.80	33	8267	44.65	49	0.90	39	7012	37.87	52	1.10	44	6129	33.10	54	1.25	53	5182	27.99	55	1.40	60	4514	24.38	56	1.70	66	4114	22.22	56	1.85	76	3588	19.38	57	2.20	86	3157	17.05	57	2.40	101	2683	14.49	57	2.80	115	2363	12.76	55	3.20	133	2048	11.06	54	3.80	197	1379	7.45	51	3.50	228	1194	6.45	49	4.10	73	3716	20.07	17	1.10	81	3372	18.21	17	1.20	94	2898	15.65	16	1.40	108	2529	13.66	16	1.60	127	2146	11.59	15	1.90	145	1876	10.13	15	2.20	172	1585	8.56	15	2.60	187	1455	7.86	15	1.95	221	1233	6.66	14	2.30	253	1078	5.82	14	2.60	299	911	4.92	13	3.00			
23	11802	63.74	128	2.95			26	10556	57.01	128	3.30			14	19417	104.87	114	0.85	GR167 GRF167	4P	377	760	3.90			5.9	1.80	GRX137 GRXF137			4P	16					17251					93.17					114					1.00					18			15420			83.28	114	1.10	20	13574	73.31	114	1.25	22	12550	67.78	114	1.35	25	10974	59.27	114	1.55	29	9385	50.69	114	1.80	33	8339	45.04	114	2.10	37	7454	40.26	114	2.30	42	6480	35.00	114	2.70	52	5258	28.40	114	3.30	GR147 GRF147															4P	474	604	3.10	6.5	2.50	60	4538	24.51	114	3.90	18	15436	83.37	31	0.80	21	13122	70.87	57	0.95	22	12368	66.80	59	1.00	24	11276	60.90	61	1.10	28	9830	53.09	64	1.25	31	8648	46.71	66	1.45	37	7351	39.70	67	1.65	42	6475	34.97	68	1.85	49	5610	30.30	69	2.20	61	4462	24.10			69			2.50			72			3785			20.44			70			3.00	GR137 GRF137	4P	634	452	2.32	5.9	2.70	84	3236	17.48	70	3.00	95	2875	15.53	70	4.30	29	9471	51.15	34	0.80	33	8267	44.65	49	0.90	39	7012	37.87	52	1.10	44	6129	33.10	54	1.25	53	5182	27.99	55	1.40	60	4514	24.38	56	1.70	66	4114	22.22	56	1.85	76	3588	19.38	57	2.20	86	3157	17.05	57	2.40	101	2683	14.49	57	2.80	115	2363	12.76	55	3.20	133	2048	11.06	54	3.80	197	1379	7.45	51	3.50	228	1194	6.45	49	4.10	73	3716	20.07	17	1.10	81	3372	18.21	17	1.20	94	2898	15.65	16	1.40	108	2529	13.66	16	1.60	127	2146	11.59	15	1.90	145	1876	10.13	15	2.20	172	1585	8.56	15	2.60	187	1455	7.86	15	1.95	221	1233	6.66	14	2.30	253	1078	5.82	14	2.60	299	911	4.92	13	3.00
26	10556	57.01	128	3.30			14	19417	104.87	114	0.85			GR167 GRF167	4P	377	760	3.90			5.9	1.80	GRX137 GRXF137			4P	16					17251					93.17					114					1.00					18					15420			83.28			114	1.10	20	13574	73.31	114	1.25	22	12550	67.78	114	1.35	25	10974	59.27	114	1.55	29	9385	50.69	114	1.80	33	8339	45.04	114	2.10	37	7454	40.26	114	2.30	42	6480	35.00	114	2.70	52	5258	28.40	114	3.30	GR147 GRF147																	4P	474	604	3.10	6.5	2.50	60	4538	24.51	114	3.90	18	15436	83.37	31	0.80	21	13122	70.87	57	0.95	22	12368	66.80	59	1.00	24	11276	60.90	61	1.10	28	9830	53.09	64	1.25	31	8648	46.71	66	1.45	37	7351	39.70	67	1.65	42	6475	34.97	68	1.85	49	5610	30.30	69	2.20	61	4462			24.10			69			2.50			72			3785			20.44			70			3.00	GR137 GRF137	4P	634	452	2.32	5.9	2.70	84	3236	17.48	70	3.00	95	2875	15.53	70	4.30	29	9471	51.15	34	0.80	33	8267	44.65	49	0.90	39	7012	37.87	52	1.10	44	6129	33.10	54	1.25	53	5182	27.99	55	1.40	60	4514	24.38	56	1.70	66	4114	22.22	56	1.85	76	3588	19.38	57	2.20	86	3157	17.05	57	2.40	101	2683	14.49	57	2.80	115	2363	12.76	55	3.20	133	2048	11.06	54	3.80	197	1379	7.45	51	3.50	228	1194	6.45	49	4.10	73	3716	20.07	17	1.10	81	3372	18.21	17	1.20	94	2898	15.65	16	1.40	108	2529	13.66	16	1.60	127	2146	11.59	15	1.90	145	1876	10.13	15	2.20	172	1585	8.56	15	2.60	187	1455	7.86	15	1.95	221	1233	6.66	14	2.30	253	1078	5.82	14	2.60	299	911
14	19417	104.87	114	0.85	GR167 GRF167	4P	377	760	3.90	5.9	1.80	GRX137 GRXF137	4P																																																																																																																																																																																																																																																																																																																																									
16	17251	93.17	114	1.00			18	15420	83.28	114	1.10					20	13574	73.31			114	1.25					22					12550					67.78					114					1.35					25		10974	59.27		114			1.55	29	9385	50.69	114	1.80	33	8339	45.04	114	2.10	37	7454	40.26	114	2.30	42	6480	35.00	114	2.70	52	5258	28.40	114	3.30	GR147 GRF147	4P	474	604	3.10	6.5	2.50	60	4538	24.51	114	3.90	18	15436	83.37	31	0.80	21	13122									70.87	57									0.95	22	12368	66.80	59	1.00	24	11276	60.90	61	1.10	28	9830	53.09	64	1.25	31	8648	46.71	66	1.45	37	7351	39.70	67	1.65	42	6475	34.97	68	1.85	49	5610	30.30	69	2.20	61	4462	24.10	69	2.50	72	3785	20.44	70	3.00	GR137 GRF137	4P	634	452	2.32	5.9	2.70	84	3236	17.48	70	3.00	95	2875			15.53			70			4.30			29			9471			51.15			34			0.80	33	8267	44.65	49	0.90	39	7012	37.87	52	1.10	44	6129	33.10	54	1.25	53	5182	27.99	55	1.40	60	4514	24.38	56	1.70	66	4114	22.22	56	1.85	76	3588	19.38	57	2.20	86	3157	17.05	57	2.40	101	2683	14.49	57	2.80	115	2363	12.76	55	3.20	133	2048	11.06	54	3.80	197	1379	7.45	51	3.50	228	1194	6.45	49	4.10	73	3716	20.07	17	1.10	81	3372	18.21	17	1.20	94	2898	15.65	16	1.40	108	2529	13.66	16	1.60	127	2146	11.59	15	1.90	145	1876	10.13	15	2.20	172	1585	8.56	15	2.60	187	1455	7.86	15	1.95	221	1233	6.66	14	2.30	253	1078	5.82	14	2.60	299	911	4.92	13	3.00																
18	15420	83.28	114	1.10			20	13574	73.31	114	1.25					22	12550	67.78			114	1.35					25					10974					59.27					114					1.55		29	9385		50.69		114	1.80		33	8339	45.04	114	2.10	37	7454	40.26	114	2.30	42	6480	35.00	114	2.70	52	5258	28.40	114	3.30	GR147 GRF147	4P	474	604	3.10	6.5	2.50	60	4538			24.51	114	3.90	18	15436	83.37	31	0.80	21	13122	70.87	57	0.95	22	12368	66.80	59								1.00	24	11276	60.90								61	1.10	28	9830	53.09	64	1.25	31	8648	46.71	66	1.45	37	7351	39.70	67	1.65	42	6475	34.97	68	1.85	49	5610	30.30	69	2.20	61	4462	24.10	69	2.50	72	3785	20.44	70	3.00	GR137 GRF137	4P	634	452	2.32	5.9	2.70	84	3236			17.48	70	3.00	95	2875	15.53	70	4.30	29	9471	51.15	34	0.80	33	8267			44.65			49			0.90			39			7012			37.87			52	1.10	44	6129	33.10	54	1.25	53	5182	27.99	55	1.40	60	4514	24.38	56	1.70	66	4114	22.22	56	1.85	76	3588	19.38	57	2.20	86	3157	17.05	57	2.40	101	2683	14.49	57	2.80	115	2363	12.76	55	3.20	133	2048	11.06	54	3.80	197	1379	7.45	51	3.50	228	1194	6.45	49	4.10	73	3716	20.07	17	1.10	81	3372	18.21	17	1.20	94	2898	15.65	16	1.40	108	2529	13.66	16	1.60	127	2146	11.59	15	1.90	145	1876	10.13	15	2.20	172	1585	8.56	15	2.60	187	1455	7.86	15	1.95	221	1233	6.66	14	2.30	253	1078	5.82	14	2.60	299	911	4.92	13	3.00																									
20	13574	73.31	114	1.25			22	12550	67.78	114	1.35					25	10974	59.27			114	1.55					29					9385					50.69					114		1.80	33		8339		45.04	114		2.10	37	7454	40.26	114	2.30	42	6480	35.00	114	2.70	52	5258	28.40	114	3.30	GR147 GRF147	4P	474	604	3.10	6.5	2.50	60	4538			24.51	114	3.90	18	15436	83.37	31			0.80	21	13122	70.87	57	0.95	22	12368	66.80	59	1.00	24	11276	60.90	61	1.10	28							9830	53.09	64	1.25	31	8648							46.71	66	1.45	37	7351	39.70	67	1.65	42	6475	34.97	68	1.85	49	5610	30.30	69	2.20	61	4462	24.10	69	2.50	72	3785	20.44	70	3.00	GR137 GRF137	4P	634	452	2.32	5.9	2.70	84	3236			17.48	70	3.00	95	2875	15.53	70			4.30	29	9471	51.15	34	0.80	33	8267	44.65	49	0.90	39	7012	37.87	52	1.10	44	6129			33.10			54			1.25			53			5182			27.99	55	1.40	60	4514	24.38	56	1.70	66	4114	22.22	56	1.85	76	3588	19.38	57	2.20	86	3157	17.05	57	2.40	101	2683	14.49	57	2.80	115	2363	12.76	55	3.20	133	2048	11.06	54	3.80	197	1379	7.45	51	3.50	228	1194	6.45	49	4.10	73	3716	20.07	17	1.10	81	3372	18.21	17	1.20	94	2898	15.65	16	1.40	108	2529	13.66	16	1.60	127	2146	11.59	15	1.90	145	1876	10.13	15	2.20	172	1585	8.56	15	2.60	187	1455	7.86	15	1.95	221	1233	6.66	14	2.30	253	1078	5.82	14	2.60	299	911	4.92	13	3.00																																		
22	12550	67.78	114	1.35			25	10974	59.27	114	1.55					29	9385	50.69			114	1.80					33					8339					45.04		114	2.10		37		7454	40.26		114	2.30	42	6480	35.00	114	2.70	52	5258	28.40	114	3.30	GR147 GRF147	4P	474	604	3.10	6.5	2.50	60	4538			24.51	114	3.90	18	15436	83.37	31			0.80	21	13122	70.87	57	0.95	22			12368	66.80	59	1.00	24	11276	60.90	61	1.10	28	9830	53.09	64	1.25	31	8648	46.71						66	1.45	37	7351	39.70	67	1.65	42						6475	34.97	68	1.85	49	5610	30.30	69	2.20	61	4462	24.10	69	2.50	72	3785	20.44	70	3.00	GR137 GRF137	4P	634	452	2.32	5.9	2.70	84	3236			17.48	70	3.00	95	2875	15.53	70			4.30	29	9471	51.15	34	0.80	33			8267	44.65	49	0.90	39	7012	37.87	52	1.10	44	6129	33.10	54	1.25	53	5182	27.99	55	1.40	60	4514			24.38			56			1.70			66			4114	22.22	56	1.85	76	3588	19.38	57	2.20	86	3157	17.05	57	2.40	101	2683	14.49	57	2.80	115	2363	12.76	55	3.20	133	2048	11.06	54	3.80	197	1379	7.45	51	3.50	228	1194	6.45	49	4.10	73	3716	20.07	17	1.10	81	3372	18.21	17	1.20	94	2898	15.65	16	1.40	108	2529	13.66	16	1.60	127	2146	11.59	15	1.90	145	1876	10.13	15	2.20	172	1585	8.56	15	2.60	187	1455	7.86	15	1.95	221	1233	6.66	14	2.30	253	1078	5.82	14	2.60	299	911	4.92	13	3.00																																											
25	10974	59.27	114	1.55			29	9385	50.69	114	1.80					33	8339	45.04			114	2.10					37					7454		40.26	114		2.30		42	6480		35.00	114	2.70	52	5258	28.40	114	3.30	GR147 GRF147	4P	474	604	3.10	6.5	2.50	60	4538			24.51	114	3.90	18	15436	83.37	31			0.80	21	13122	70.87	57	0.95	22			12368	66.80	59	1.00	24	11276	60.90			61	1.10	28	9830	53.09	64	1.25	31	8648	46.71	66	1.45	37	7351	39.70	67	1.65					42	6475	34.97	68	1.85	49	5610	30.30	69	2.20					61	4462	24.10	69	2.50	72	3785	20.44	70	3.00	GR137 GRF137	4P	634	452	2.32	5.9	2.70	84	3236			17.48	70	3.00	95	2875	15.53	70			4.30	29	9471	51.15	34	0.80	33			8267	44.65	49	0.90	39	7012	37.87			52	1.10	44	6129	33.10	54	1.25	53	5182	27.99	55	1.40	60	4514	24.38	56	1.70	66	4114	22.22	56	1.85	76	3588			19.38			57			2.20			86	3157	17.05	57	2.40	101	2683	14.49	57	2.80	115	2363	12.76	55	3.20	133	2048	11.06	54	3.80	197	1379	7.45	51	3.50	228	1194	6.45	49	4.10	73	3716	20.07	17	1.10	81	3372	18.21	17	1.20	94	2898	15.65	16	1.40	108	2529	13.66	16	1.60	127	2146	11.59	15	1.90	145	1876	10.13	15	2.20	172	1585	8.56	15	2.60	187	1455	7.86	15	1.95	221	1233	6.66	14	2.30	253	1078	5.82	14	2.60	299	911	4.92	13	3.00																																																				
29	9385	50.69	114	1.80			33	8339	45.04	114	2.10					37	7454	40.26			114	2.30					42		6480	35.00		114		2.70	52		5258	28.40	114	3.30	GR147 GRF147	4P	474	604	3.10	6.5	2.50	60	4538			24.51	114	3.90	18	15436	83.37	31			0.80	21	13122	70.87	57	0.95	22			12368	66.80	59	1.00	24	11276	60.90			61	1.10	28	9830	53.09	64	1.25			31	8648	46.71	66	1.45	37	7351	39.70	67	1.65	42	6475	34.97	68	1.85	49	5610				30.30	69	2.20	61	4462	24.10	69	2.50	72	3785	20.44	70				3.00	GR137 GRF137	4P	634	452	2.32	5.9	2.70	84	3236			17.48	70	3.00	95	2875	15.53	70			4.30	29	9471	51.15	34	0.80	33			8267	44.65	49	0.90	39	7012	37.87			52	1.10	44	6129	33.10	54	1.25			53	5182	27.99	55	1.40	60	4514	24.38	56	1.70	66	4114	22.22	56	1.85	76	3588	19.38	57	2.20	86	3157	17.05	57	2.40	101	2683			14.49			57			2.80	115	2363	12.76	55	3.20	133	2048	11.06	54	3.80	197	1379	7.45	51	3.50	228	1194	6.45	49	4.10	73	3716	20.07	17	1.10	81	3372	18.21	17	1.20	94	2898	15.65	16	1.40	108	2529	13.66	16	1.60	127	2146	11.59	15	1.90	145	1876	10.13	15	2.20	172	1585	8.56	15	2.60	187	1455	7.86	15	1.95	221	1233	6.66	14	2.30	253	1078	5.82	14	2.60	299	911	4.92	13	3.00																																																													
33	8339	45.04	114	2.10			37	7454	40.26	114	2.30					42	6480	35.00			114	2.70		52	5258		28.40		114	3.30		GR147 GRF147	4P	474	604	3.10	6.5	2.50	60	4538			24.51	114	3.90	18	15436	83.37	31			0.80	21	13122	70.87	57	0.95	22			12368	66.80	59	1.00	24	11276	60.90			61	1.10	28	9830	53.09	64	1.25			31	8648	46.71	66	1.45	37	7351			39.70	67	1.65	42	6475	34.97	68	1.85	49	5610	30.30	69	2.20	61	4462	24.10	69			2.50	72	3785	20.44	70	3.00	GR137 GRF137	4P	634	452	2.32	5.9	2.70	84			3236			17.48	70	3.00	95	2875	15.53	70			4.30	29	9471	51.15	34	0.80	33			8267	44.65	49	0.90	39	7012	37.87			52	1.10	44	6129	33.10	54	1.25			53	5182	27.99	55	1.40	60	4514			24.38	56	1.70	66	4114	22.22	56	1.85	76	3588	19.38	57	2.20	86	3157	17.05	57	2.40	101	2683	14.49	57	2.80	115	2363	12.76	55	3.20	133	2048			11.06			54	3.80	197	1379	7.45	51	3.50	228	1194	6.45	49	4.10	73	3716	20.07	17	1.10	81	3372	18.21	17	1.20	94	2898	15.65	16	1.40	108	2529	13.66	16	1.60	127	2146	11.59	15	1.90	145	1876	10.13	15	2.20	172	1585	8.56	15	2.60	187	1455	7.86	15	1.95	221	1233	6.66	14	2.30	253	1078	5.82	14	2.60	299	911	4.92	13	3.00																																																																						
37	7454	40.26	114	2.30			42	6480	35.00	114	2.70					52	5258	28.40	114	3.30	GR147 GRF147	4P		474	604		3.10	6.5	2.50	60	4538			24.51	114	3.90	18	15436	83.37	31			0.80	21	13122	70.87	57	0.95	22			12368	66.80	59	1.00	24	11276	60.90			61	1.10	28	9830	53.09	64	1.25			31	8648	46.71	66	1.45	37	7351			39.70	67	1.65	42	6475	34.97	68			1.85	49	5610	30.30	69	2.20	61	4462	24.10	69	2.50	72	3785	20.44	70	3.00	GR137 GRF137		4P	634	452	2.32	5.9	2.70	84			3236	17.48	70	3.00	95	2875	15.53		70			4.30	29	9471	51.15	34	0.80	33			8267	44.65	49	0.90	39	7012	37.87			52	1.10	44	6129	33.10	54	1.25			53	5182	27.99	55	1.40	60	4514			24.38	56	1.70	66	4114	22.22	56			1.85	76	3588	19.38	57	2.20	86	3157	17.05	57	2.40	101	2683	14.49	57	2.80	115	2363	12.76	55	3.20	133	2048	11.06	54	3.80	197	1379	7.45	51	3.50	228	1194			6.45	49	4.10	73	3716	20.07	17	1.10	81	3372	18.21	17	1.20	94	2898	15.65	16	1.40	108	2529	13.66	16	1.60	127	2146	11.59	15	1.90	145	1876	10.13	15	2.20	172	1585	8.56	15	2.60	187	1455	7.86	15	1.95	221	1233	6.66	14	2.30	253	1078	5.82	14	2.60	299	911	4.92	13	3.00																																																																															
42	6480	35.00	114	2.70			52	5258	28.40	114	3.30			GR147 GRF147	4P	474	604	3.10	6.5	2.50			60	4538	24.51	114	3.90	18	15436	83.37	31			0.80	21	13122	70.87	57	0.95	22			12368	66.80	59	1.00	24	11276	60.90			61	1.10	28	9830	53.09	64	1.25			31	8648	46.71	66	1.45	37	7351			39.70	67	1.65	42	6475	34.97	68			1.85	49	5610	30.30	69	2.20	61			4462	24.10	69	2.50	72	3785	20.44	70	3.00	GR137 GRF137	4P	634	452	2.32	5.9	2.70		84		3236	17.48	70	3.00	95	2875			15.53	70	4.30	29	9471	51.15	34	0.80	33			8267	44.65	49	0.90	39	7012	37.87			52	1.10	44	6129	33.10	54	1.25			53	5182	27.99	55	1.40	60	4514			24.38	56	1.70	66	4114	22.22	56			1.85	76	3588	19.38	57	2.20	86			3157	17.05	57	2.40	101	2683	14.49	57	2.80	115	2363	12.76	55	3.20	133	2048	11.06	54	3.80	197	1379	7.45	51	3.50	228	1194	6.45	49	4.10	73	3716	20.07	17	1.10	81	3372	18.21	17	1.20	94	2898	15.65	16	1.40	108	2529	13.66	16	1.60	127	2146	11.59	15	1.90	145	1876	10.13	15	2.20	172	1585	8.56	15	2.60	187	1455	7.86	15	1.95	221	1233	6.66	14	2.30	253	1078	5.82	14	2.60	299	911	4.92	13	3.00																																																																																								
52	5258	28.40	114	3.30	GR147 GRF147	4P	474	604	3.10	6.5	2.50	60	4538			24.51	114	3.90	18	15436			83.37	31	0.80	21	13122	70.87	57	0.95	22			12368	66.80	59	1.00	24	11276	60.90			61	1.10	28	9830	53.09	64	1.25			31	8648	46.71	66	1.45	37	7351			39.70	67	1.65	42	6475	34.97	68			1.85	49	5610	30.30	69	2.20	61			4462	24.10	69	2.50	72	3785	20.44			70	3.00	GR137 GRF137	4P	634	452	2.32	5.9	2.70			84	3236	17.48	70	3.00		95		2875	15.53	70	4.30	29	9471			51.15	34	0.80	33	8267	44.65	49	0.90	39			7012	37.87	52	1.10	44	6129	33.10			54	1.25	53	5182	27.99	55	1.40			60	4514	24.38	56	1.70	66	4114			22.22	56	1.85	76	3588	19.38	57			2.20	86	3157	17.05	57	2.40	101			2683	14.49	57	2.80	115	2363	12.76	55	3.20	133	2048	11.06	54	3.80	197	1379	7.45	51	3.50	228	1194	6.45	49	4.10	73	3716	20.07	17	1.10	81	3372	18.21	17	1.20	94	2898	15.65	16	1.40	108	2529	13.66	16	1.60	127	2146	11.59	15	1.90	145	1876	10.13	15	2.20	172	1585	8.56	15	2.60	187	1455	7.86	15	1.95	221	1233	6.66	14	2.30	253	1078	5.82	14	2.60	299	911	4.92	13	3.00																																																																																													
60	4538	24.51	114	3.90			18	15436	83.37	31	0.80	21	13122			70.87	57	0.95	22	12368			66.80	59	1.00	24	11276	60.90	61	1.10	28			9830	53.09	64	1.25	31	8648	46.71			66	1.45	37	7351	39.70	67	1.65			42	6475	34.97	68	1.85	49	5610			30.30	69	2.20	61	4462	24.10	69			2.50	72	3785	20.44	70	3.00	GR137 GRF137			4P	634	452	2.32	5.9	2.70	84	3236	17.48	70	3.00			95	2875	15.53	70	4.30			29	9471	51.15	34	0.80		33		8267	44.65	49	0.90	39	7012			37.87	52	1.10	44	6129	33.10	54	1.25	53			5182	27.99	55	1.40	60	4514	24.38			56	1.70	66	4114	22.22	56	1.85			76	3588	19.38	57	2.20	86	3157			17.05	57	2.40	101	2683	14.49	57			2.80	115	2363	12.76	55	3.20	133	2048	11.06	54	3.80	197	1379	7.45	51	3.50	228	1194	6.45	49	4.10	73	3716	20.07	17	1.10	81	3372	18.21	17	1.20	94	2898	15.65	16	1.40	108	2529	13.66	16	1.60	127	2146	11.59	15	1.90	145	1876	10.13	15	2.20	172	1585	8.56	15	2.60	187	1455	7.86	15	1.95	221	1233	6.66	14	2.30	253	1078	5.82	14	2.60	299	911	4.92	13	3.00																																																																																																									
18	15436	83.37	31	0.80			21	13122	70.87	57	0.95	22	12368			66.80	59	1.00	24	11276			60.90	61	1.10	28	9830	53.09	64	1.25	31			8648	46.71	66	1.45	37	7351	39.70			67	1.65	42	6475	34.97	68	1.85			49	5610	30.30	69	2.20	61	4462			24.10	69	2.50	72	3785	20.44	70			3.00	GR137 GRF137	4P	634	452	2.32		5.9	2.70		84	3236	17.48	70	3.00	95	2875	15.53	70	4.30			29	9471	51.15	34	0.80			33	8267	44.65	49	0.90		39		7012	37.87	52	1.10	44	6129			33.10	54	1.25	53	5182	27.99	55	1.40	60			4514	24.38	56	1.70	66	4114	22.22			56	1.85	76	3588	19.38	57	2.20			86	3157	17.05	57	2.40	101	2683			14.49	57	2.80	115	2363	12.76	55	3.20	133	2048	11.06	54	3.80	197	1379	7.45	51	3.50	228	1194	6.45	49	4.10	73	3716	20.07	17	1.10	81	3372	18.21	17	1.20	94	2898	15.65	16	1.40	108	2529	13.66	16	1.60	127	2146	11.59	15	1.90	145	1876	10.13	15	2.20	172	1585	8.56	15	2.60	187	1455	7.86	15	1.95	221	1233	6.66	14	2.30	253	1078	5.82	14	2.60	299	911	4.92	13	3.00																																																																																																																
21	13122	70.87	57	0.95			22	12368	66.80	59	1.00	24	11276			60.90	61	1.10	28	9830			53.09	64	1.25	31	8648	46.71	66	1.45	37			7351	39.70	67	1.65	42	6475	34.97			68	1.85	49	5610	30.30	69	2.20			61	4462	24.10	69	2.50	72	3785			20.44	70	3.00	GR137 GRF137	4P	634	452	2.32	5.9	2.70			84	3236	17.48		70	3.00		95	2875	15.53	70	4.30	29	9471	51.15	34	0.80			33	8267	44.65	49	0.90			39	7012	37.87	52	1.10		44		6129	33.10	54	1.25	53	5182			27.99	55	1.40	60	4514	24.38	56	1.70	66			4114	22.22	56	1.85	76	3588	19.38			57	2.20	86	3157	17.05	57	2.40			101	2683	14.49	57	2.80	115	2363	12.76	55	3.20	133	2048	11.06	54	3.80	197	1379	7.45	51	3.50	228	1194	6.45	49	4.10	73	3716	20.07	17	1.10	81	3372	18.21	17	1.20	94	2898	15.65	16	1.40	108	2529	13.66	16	1.60	127	2146	11.59	15	1.90	145	1876	10.13	15	2.20	172	1585	8.56	15	2.60	187	1455	7.86	15	1.95	221	1233	6.66	14	2.30	253	1078	5.82	14	2.60	299	911	4.92	13	3.00																																																																																																																							
22	12368	66.80	59	1.00			24	11276	60.90	61	1.10	28	9830			53.09	64	1.25	31	8648			46.71	66	1.45	37	7351	39.70	67	1.65	42			6475	34.97	68	1.85	49	5610	30.30			69	2.20	61	4462	24.10	69	2.50			72	3785	20.44	70	3.00	GR137 GRF137	4P	634	452	2.32	5.9	2.70			84	3236	17.48	70	3.00			95	2875	15.53		70	4.30		29	9471	51.15	34	0.80	33	8267	44.65	49	0.90			39	7012	37.87	52	1.10			44	6129	33.10	54	1.25		53		5182	27.99	55	1.40	60	4514			24.38	56	1.70	66	4114	22.22	56	1.85	76			3588	19.38	57	2.20	86	3157	17.05			57	2.40	101	2683	14.49	57	2.80	115	2363	12.76	55	3.20	133	2048	11.06	54	3.80	197	1379	7.45	51	3.50	228	1194	6.45	49	4.10	73	3716	20.07	17	1.10	81	3372	18.21	17	1.20	94	2898	15.65	16	1.40	108	2529	13.66	16	1.60	127	2146	11.59	15	1.90	145	1876	10.13	15	2.20	172	1585	8.56	15	2.60	187	1455	7.86	15	1.95	221	1233	6.66	14	2.30	253	1078	5.82	14	2.60	299	911	4.92	13	3.00																																																																																																																														
24	11276	60.90	61	1.10			28	9830	53.09	64	1.25	31	8648			46.71	66	1.45	37	7351			39.70	67	1.65	42	6475	34.97	68	1.85	49			5610	30.30	69	2.20	61	4462	24.10			69	2.50	72	3785	20.44	70	3.00	GR137 GRF137	4P	634	452	2.32	5.9	2.70			84	3236	17.48	70	3.00			95	2875	15.53	70	4.30			29	9471	51.15		34	0.80		33	8267	44.65	49	0.90	39	7012	37.87	52	1.10			44	6129	33.10	54	1.25			53	5182	27.99	55	1.40		60		4514	24.38	56	1.70	66	4114			22.22	56	1.85	76	3588	19.38	57	2.20	86			3157	17.05	57	2.40	101	2683	14.49	57	2.80	115	2363	12.76	55	3.20	133	2048	11.06	54	3.80	197	1379	7.45	51	3.50	228	1194	6.45	49	4.10	73	3716	20.07	17	1.10	81	3372	18.21	17	1.20	94	2898	15.65	16	1.40	108	2529	13.66	16	1.60	127	2146	11.59	15	1.90	145	1876	10.13	15	2.20	172	1585	8.56	15	2.60	187	1455	7.86	15	1.95	221	1233	6.66	14	2.30	253	1078	5.82	14	2.60	299	911	4.92	13	3.00																																																																																																																																					
28	9830	53.09	64	1.25			31	8648	46.71	66	1.45	37	7351			39.70	67	1.65	42	6475			34.97	68	1.85	49	5610	30.30	69	2.20	61			4462	24.10	69	2.50	72	3785	20.44	70	3.00	GR137 GRF137	4P	634	452	2.32	5.9	2.70			84	3236	17.48	70	3.00			95	2875	15.53	70	4.30			29	9471	51.15	34	0.80			33	8267	44.65		49	0.90		39	7012	37.87	52	1.10	44	6129	33.10	54	1.25			53	5182	27.99	55	1.40			60	4514	24.38	56	1.70		66		4114	22.22	56	1.85	76	3588			19.38	57	2.20	86	3157	17.05	57	2.40	101	2683	14.49	57	2.80	115	2363	12.76	55	3.20	133	2048	11.06	54	3.80	197	1379	7.45	51	3.50	228	1194	6.45	49	4.10	73	3716	20.07	17	1.10	81	3372	18.21	17	1.20	94	2898	15.65	16	1.40	108	2529	13.66	16	1.60	127	2146	11.59	15	1.90	145	1876	10.13	15	2.20	172	1585	8.56	15	2.60	187	1455	7.86	15	1.95	221	1233	6.66	14	2.30	253	1078	5.82	14	2.60	299	911	4.92	13	3.00																																																																																																																																												
31	8648	46.71	66	1.45			37	7351	39.70	67	1.65	42	6475			34.97	68	1.85	49	5610			30.30	69	2.20	61	4462	24.10	69	2.50	72	3785	20.44	70	3.00	GR137 GRF137	4P	634	452	2.32	5.9	2.70			84	3236	17.48	70	3.00			95	2875	15.53	70	4.30			29	9471	51.15	34	0.80			33	8267	44.65	49	0.90			39	7012	37.87		52	1.10		44	6129	33.10	54	1.25	53	5182	27.99	55	1.40			60	4514	24.38	56	1.70			66	4114	22.22	56	1.85		76		3588	19.38	57	2.20	86	3157	17.05	57	2.40	101	2683	14.49	57	2.80	115	2363	12.76	55	3.20	133	2048	11.06	54	3.80	197	1379	7.45	51	3.50	228	1194	6.45	49	4.10	73	3716	20.07	17	1.10	81	3372	18.21	17	1.20	94	2898	15.65	16	1.40	108	2529	13.66	16	1.60	127	2146	11.59	15	1.90	145	1876	10.13	15	2.20	172	1585	8.56	15	2.60	187	1455	7.86	15	1.95	221	1233	6.66	14	2.30	253	1078	5.82	14	2.60	299	911	4.92	13	3.00																																																																																																																																																			
37	7351	39.70	67	1.65			42	6475	34.97	68	1.85	49	5610			30.30	69	2.20	61	4462	24.10	69	2.50	72	3785	20.44	70	3.00	GR137 GRF137	4P	634	452	2.32	5.9	2.70			84	3236	17.48	70	3.00			95	2875	15.53	70	4.30			29	9471	51.15	34	0.80			33	8267	44.65	49	0.90			39	7012	37.87	52	1.10			44	6129	33.10		54	1.25		53	5182	27.99	55	1.40	60	4514	24.38	56	1.70			66	4114	22.22	56	1.85			76	3588	19.38	57	2.20	86	3157	17.05	57	2.40	101	2683	14.49	57	2.80	115	2363	12.76	55	3.20	133	2048	11.06	54	3.80	197	1379	7.45	51	3.50	228	1194	6.45	49	4.10	73	3716	20.07	17	1.10	81	3372	18.21	17	1.20	94	2898	15.65	16	1.40	108	2529	13.66	16	1.60	127	2146	11.59	15	1.90	145	1876	10.13	15	2.20	172	1585	8.56	15	2.60	187	1455	7.86	15	1.95	221	1233	6.66	14	2.30	253	1078	5.82	14	2.60	299	911	4.92	13	3.00																																																																																																																																																										
42	6475	34.97	68	1.85			49	5610	30.30	69	2.20	61	4462	24.10	69	2.50	72	3785	20.44	70	3.00	GR137 GRF137	4P	634	452	2.32	5.9	2.70			84	3236	17.48	70	3.00			95	2875	15.53	70	4.30			29	9471	51.15	34	0.80			33	8267	44.65	49	0.90			39	7012	37.87	52	1.10			44	6129	33.10	54	1.25			53	5182	27.99		55	1.40		60	4514	24.38	56	1.70	66	4114	22.22	56	1.85			76	3588	19.38	57	2.20	86	3157	17.05	57	2.40	101	2683	14.49	57	2.80	115	2363	12.76	55	3.20	133	2048	11.06	54	3.80	197	1379	7.45	51	3.50	228	1194	6.45	49	4.10	73	3716	20.07	17	1.10	81	3372	18.21	17	1.20	94	2898	15.65	16	1.40	108	2529	13.66	16	1.60	127	2146	11.59	15	1.90	145	1876	10.13	15	2.20	172	1585	8.56	15	2.60	187	1455	7.86	15	1.95	221	1233	6.66	14	2.30	253	1078	5.82	14	2.60	299	911	4.92	13	3.00																																																																																																																																																																	
49	5610	30.30	69	2.20	61	4462	24.10	69	2.50	72	3785	20.44	70	3.00	GR137 GRF137	4P	634	452	2.32	5.9	2.70			84	3236	17.48	70	3.00			95	2875	15.53	70	4.30			29	9471	51.15	34	0.80			33	8267	44.65	49	0.90			39	7012	37.87	52	1.10			44	6129	33.10	54	1.25			53	5182	27.99	55	1.40			60	4514	24.38		56	1.70		66	4114	22.22	56	1.85	76	3588	19.38	57	2.20	86	3157	17.05	57	2.40	101	2683	14.49	57	2.80	115	2363	12.76	55	3.20	133	2048	11.06	54	3.80	197	1379	7.45	51	3.50	228	1194	6.45	49	4.10	73	3716	20.07	17	1.10	81	3372	18.21	17	1.20	94	2898	15.65	16	1.40	108	2529	13.66	16	1.60	127	2146	11.59	15	1.90	145	1876	10.13	15	2.20	172	1585	8.56	15	2.60	187	1455	7.86	15	1.95	221	1233	6.66	14	2.30	253	1078	5.82	14	2.60	299	911	4.92	13	3.00																																																																																																																																																																								
61	4462	24.10	69	2.50	72	3785	20.44	70	3.00	GR137 GRF137	4P	634	452	2.32			5.9	2.70	84	3236	17.48			70	3.00	95	2875	15.53			70	4.30	29	9471	51.15			34	0.80	33	8267	44.65			49	0.90	39	7012	37.87			52	1.10	44	6129	33.10			54	1.25	53	5182	27.99			55	1.40	60	4514	24.38			56	1.70	66	4114	22.22	56	1.85	76	3588	19.38	57	2.20	86	3157	17.05	57	2.40	101	2683	14.49	57	2.80	115	2363	12.76	55	3.20	133	2048	11.06	54	3.80	197	1379	7.45	51	3.50	228	1194	6.45	49	4.10	73	3716	20.07	17	1.10	81	3372	18.21	17	1.20	94	2898	15.65	16	1.40	108	2529	13.66	16	1.60	127	2146	11.59	15	1.90	145	1876	10.13	15	2.20	172	1585	8.56	15	2.60	187	1455	7.86	15	1.95	221	1233	6.66	14	2.30	253	1078	5.82	14	2.60	299	911	4.92	13	3.00																																																																																																																																																																													
72	3785	20.44	70	3.00	GR137 GRF137	4P	634	452	2.32			5.9	2.70	84			3236	17.48	70	3.00	95			2875	15.53	70	4.30	29			9471	51.15	34	0.80	33			8267	44.65	49	0.90	39			7012	37.87	52	1.10	44			6129	33.10	54	1.25	53			5182	27.99	55	1.40	60			4514	24.38	56	1.70	66	4114	22.22	56	1.85	76	3588	19.38	57	2.20	86	3157	17.05	57	2.40	101	2683	14.49	57	2.80	115	2363	12.76	55	3.20	133	2048	11.06	54	3.80	197	1379	7.45	51	3.50	228	1194	6.45	49	4.10	73	3716	20.07	17	1.10	81	3372	18.21	17	1.20	94	2898	15.65	16	1.40	108	2529	13.66	16	1.60	127	2146	11.59	15	1.90	145	1876	10.13	15	2.20	172	1585	8.56	15	2.60	187	1455	7.86	15	1.95	221	1233	6.66	14	2.30	253	1078	5.82	14	2.60	299	911	4.92	13	3.00																																																																																																																																																																																		
84	3236	17.48	70	3.00			95	2875	15.53			70	4.30	29			9471	51.15	34	0.80	33			8267	44.65	49	0.90	39			7012	37.87	52	1.10	44			6129	33.10	54	1.25	53			5182	27.99	55	1.40	60			4514	24.38	56	1.70	66			4114	22.22	56	1.85	76	3588	19.38	57	2.20	86	3157	17.05	57	2.40	101	2683	14.49	57	2.80	115	2363	12.76	55	3.20	133	2048	11.06	54	3.80	197	1379	7.45	51	3.50	228	1194	6.45	49	4.10	73	3716	20.07	17	1.10	81	3372	18.21	17	1.20	94	2898	15.65	16	1.40	108	2529	13.66	16	1.60	127	2146	11.59	15	1.90	145	1876	10.13	15	2.20	172	1585	8.56	15	2.60	187	1455	7.86	15	1.95	221	1233	6.66	14	2.30	253	1078	5.82	14	2.60	299	911	4.92	13	3.00																																																																																																																																																																																														
95	2875	15.53	70	4.30			29	9471	51.15			34	0.80	33			8267	44.65	49	0.90	39			7012	37.87	52	1.10	44			6129	33.10	54	1.25	53			5182	27.99	55	1.40	60			4514	24.38	56	1.70	66			4114	22.22	56	1.85	76	3588	19.38	57	2.20	86	3157	17.05	57	2.40	101	2683	14.49	57	2.80	115	2363	12.76	55	3.20	133	2048	11.06	54	3.80	197	1379	7.45	51	3.50	228	1194	6.45	49	4.10	73	3716	20.07	17	1.10	81	3372	18.21	17	1.20	94	2898	15.65	16	1.40	108	2529	13.66	16	1.60	127	2146	11.59	15	1.90	145	1876	10.13	15	2.20	172	1585	8.56	15	2.60	187	1455	7.86	15	1.95	221	1233	6.66	14	2.30	253	1078	5.82	14	2.60	299	911	4.92	13	3.00																																																																																																																																																																																																					
29	9471	51.15	34	0.80			33	8267	44.65			49	0.90	39			7012	37.87	52	1.10	44			6129	33.10	54	1.25	53			5182	27.99	55	1.40	60			4514	24.38	56	1.70	66			4114	22.22	56	1.85	76	3588	19.38	57	2.20	86	3157	17.05	57	2.40	101	2683	14.49	57	2.80	115	2363	12.76	55	3.20	133	2048	11.06	54	3.80	197	1379	7.45	51	3.50	228	1194	6.45	49	4.10	73	3716	20.07	17	1.10	81	3372	18.21	17	1.20	94	2898	15.65	16	1.40	108	2529	13.66	16	1.60	127	2146	11.59	15	1.90	145	1876	10.13	15	2.20	172	1585	8.56	15	2.60	187	1455	7.86	15	1.95	221	1233	6.66	14	2.30	253	1078	5.82	14	2.60	299	911	4.92	13	3.00																																																																																																																																																																																																												
33	8267	44.65	49	0.90			39	7012	37.87			52	1.10	44			6129	33.10	54	1.25	53			5182	27.99	55	1.40	60			4514	24.38	56	1.70	66			4114	22.22	56	1.85	76	3588	19.38	57	2.20	86	3157	17.05	57	2.40	101	2683	14.49	57	2.80	115	2363	12.76	55	3.20	133	2048	11.06	54	3.80	197	1379	7.45	51	3.50	228	1194	6.45	49	4.10	73	3716	20.07	17	1.10	81	3372	18.21	17	1.20	94	2898	15.65	16	1.40	108	2529	13.66	16	1.60	127	2146	11.59	15	1.90	145	1876	10.13	15	2.20	172	1585	8.56	15	2.60	187	1455	7.86	15	1.95	221	1233	6.66	14	2.30	253	1078	5.82	14	2.60	299	911	4.92	13	3.00																																																																																																																																																																																																																			
39	7012	37.87	52	1.10			44	6129	33.10			54	1.25	53			5182	27.99	55	1.40	60			4514	24.38	56	1.70	66			4114	22.22	56	1.85	76	3588	19.38	57	2.20	86	3157	17.05	57	2.40	101	2683	14.49	57	2.80	115	2363	12.76	55	3.20	133	2048	11.06	54	3.80	197	1379	7.45	51	3.50	228	1194	6.45	49	4.10	73	3716	20.07	17	1.10	81	3372	18.21	17	1.20	94	2898	15.65	16	1.40	108	2529	13.66	16	1.60	127	2146	11.59	15	1.90	145	1876	10.13	15	2.20	172	1585	8.56	15	2.60	187	1455	7.86	15	1.95	221	1233	6.66	14	2.30	253	1078	5.82	14	2.60	299	911	4.92	13	3.00																																																																																																																																																																																																																										
44	6129	33.10	54	1.25			53	5182	27.99			55	1.40	60			4514	24.38	56	1.70	66			4114	22.22	56	1.85	76	3588	19.38	57	2.20	86	3157	17.05	57	2.40	101	2683	14.49	57	2.80	115	2363	12.76	55	3.20	133	2048	11.06	54	3.80	197	1379	7.45	51	3.50	228	1194	6.45	49	4.10	73	3716	20.07	17	1.10	81	3372	18.21	17	1.20	94	2898	15.65	16	1.40	108	2529	13.66	16	1.60	127	2146	11.59	15	1.90	145	1876	10.13	15	2.20	172	1585	8.56	15	2.60	187	1455	7.86	15	1.95	221	1233	6.66	14	2.30	253	1078	5.82	14	2.60	299	911	4.92	13	3.00																																																																																																																																																																																																																																	
53	5182	27.99	55	1.40			60	4514	24.38			56	1.70	66			4114	22.22	56	1.85	76	3588	19.38	57	2.20	86	3157	17.05	57	2.40	101	2683	14.49	57	2.80	115	2363	12.76	55	3.20	133	2048	11.06	54	3.80	197	1379	7.45	51	3.50	228	1194	6.45	49	4.10	73	3716	20.07	17	1.10	81	3372	18.21	17	1.20	94	2898	15.65	16	1.40	108	2529	13.66	16	1.60	127	2146	11.59	15	1.90	145	1876	10.13	15	2.20	172	1585	8.56	15	2.60	187	1455	7.86	15	1.95	221	1233	6.66	14	2.30	253	1078	5.82	14	2.60	299	911	4.92	13	3.00																																																																																																																																																																																																																																								
60	4514	24.38	56	1.70			66	4114	22.22			56	1.85	76	3588	19.38	57	2.20	86	3157	17.05	57	2.40	101	2683	14.49	57	2.80	115	2363	12.76	55	3.20	133	2048	11.06	54	3.80	197	1379	7.45	51	3.50	228	1194	6.45	49	4.10	73	3716	20.07	17	1.10	81	3372	18.21	17	1.20	94	2898	15.65	16	1.40	108	2529	13.66	16	1.60	127	2146	11.59	15	1.90	145	1876	10.13	15	2.20	172	1585	8.56	15	2.60	187	1455	7.86	15	1.95	221	1233	6.66	14	2.30	253	1078	5.82	14	2.60	299	911	4.92	13	3.00																																																																																																																																																																																																																																															
66	4114	22.22	56	1.85			76	3588	19.38	57	2.20	86	3157	17.05	57	2.40	101	2683	14.49	57	2.80	115	2363	12.76	55	3.20	133	2048	11.06	54	3.80	197	1379	7.45	51	3.50	228	1194	6.45	49	4.10	73	3716	20.07	17	1.10	81	3372	18.21	17	1.20	94	2898	15.65	16	1.40	108	2529	13.66	16	1.60	127	2146	11.59	15	1.90	145	1876	10.13	15	2.20	172	1585	8.56	15	2.60	187	1455	7.86	15	1.95	221	1233	6.66	14	2.30	253	1078	5.82	14	2.60	299	911	4.92	13	3.00																																																																																																																																																																																																																																																						
76	3588	19.38	57	2.20	86	3157	17.05	57	2.40	101	2683	14.49	57	2.80	115	2363	12.76	55	3.20	133	2048	11.06	54	3.80	197	1379	7.45	51	3.50	228	1194	6.45	49	4.10	73	3716	20.07	17	1.10	81	3372	18.21	17	1.20	94	2898	15.65	16	1.40	108	2529	13.66	16	1.60	127	2146	11.59	15	1.90	145	1876	10.13	15	2.20	172	1585	8.56	15	2.60	187	1455	7.86	15	1.95	221	1233	6.66	14	2.30	253	1078	5.82	14	2.60	299	911	4.92	13	3.00																																																																																																																																																																																																																																																													
86	3157	17.05	57	2.40	101	2683	14.49	57	2.80	115	2363	12.76	55	3.20	133	2048	11.06	54	3.80	197	1379	7.45	51	3.50	228	1194	6.45	49	4.10	73	3716	20.07	17	1.10	81	3372	18.21	17	1.20	94	2898	15.65	16	1.40	108	2529	13.66	16	1.60	127	2146	11.59	15	1.90	145	1876	10.13	15	2.20	172	1585	8.56	15	2.60	187	1455	7.86	15	1.95	221	1233	6.66	14	2.30	253	1078	5.82	14	2.60	299	911	4.92	13	3.00																																																																																																																																																																																																																																																																		
101	2683	14.49	57	2.80	115	2363	12.76	55	3.20	133	2048	11.06	54	3.80	197	1379	7.45	51	3.50	228	1194	6.45	49	4.10	73	3716	20.07	17	1.10	81	3372	18.21	17	1.20	94	2898	15.65	16	1.40	108	2529	13.66	16	1.60	127	2146	11.59	15	1.90	145	1876	10.13	15	2.20	172	1585	8.56	15	2.60	187	1455	7.86	15	1.95	221	1233	6.66	14	2.30	253	1078	5.82	14	2.60	299	911	4.92	13	3.00																																																																																																																																																																																																																																																																							
115	2363	12.76	55	3.20	133	2048	11.06	54	3.80	197	1379	7.45	51	3.50	228	1194	6.45	49	4.10	73	3716	20.07	17	1.10	81	3372	18.21	17	1.20	94	2898	15.65	16	1.40	108	2529	13.66	16	1.60	127	2146	11.59	15	1.90	145	1876	10.13	15	2.20	172	1585	8.56	15	2.60	187	1455	7.86	15	1.95	221	1233	6.66	14	2.30	253	1078	5.82	14	2.60	299	911	4.92	13	3.00																																																																																																																																																																																																																																																																												
133	2048	11.06	54	3.80	197	1379	7.45	51	3.50	228	1194	6.45	49	4.10	73	3716	20.07	17	1.10	81	3372	18.21	17	1.20	94	2898	15.65	16	1.40	108	2529	13.66	16	1.60	127	2146	11.59	15	1.90	145	1876	10.13	15	2.20	172	1585	8.56	15	2.60	187	1455	7.86	15	1.95	221	1233	6.66	14	2.30	253	1078	5.82	14	2.60	299	911	4.92	13	3.00																																																																																																																																																																																																																																																																																	
197	1379	7.45	51	3.50	228	1194	6.45	49	4.10	73	3716	20.07	17	1.10	81	3372	18.21	17	1.20	94	2898	15.65	16	1.40	108	2529	13.66	16	1.60	127	2146	11.59	15	1.90	145	1876	10.13	15	2.20	172	1585	8.56	15	2.60	187	1455	7.86	15	1.95	221	1233	6.66	14	2.30	253	1078	5.82	14	2.60	299	911	4.92	13	3.00																																																																																																																																																																																																																																																																																						
228	1194	6.45	49	4.10	73	3716	20.07	17	1.10	81	3372	18.21	17	1.20	94	2898	15.65	16	1.40	108	2529	13.66	16	1.60	127	2146	11.59	15	1.90	145	1876	10.13	15	2.20	172	1585	8.56	15	2.60	187	1455	7.86	15	1.95	221	1233	6.66	14	2.30	253	1078	5.82	14	2.60	299	911	4.92	13	3.00																																																																																																																																																																																																																																																																																											
73	3716	20.07	17	1.10	81	3372	18.21	17	1.20	94	2898	15.65	16	1.40	108	2529	13.66	16	1.60	127	2146	11.59	15	1.90	145	1876	10.13	15	2.20	172	1585	8.56	15	2.60	187	1455	7.86	15	1.95	221	1233	6.66	14	2.30	253	1078	5.82	14	2.60	299	911	4.92	13	3.00																																																																																																																																																																																																																																																																																																
81	3372	18.21	17	1.20	94	2898	15.65	16	1.40	108	2529	13.66	16	1.60	127	2146	11.59	15	1.90	145	1876	10.13	15	2.20	172	1585	8.56	15	2.60	187	1455	7.86	15	1.95	221	1233	6.66	14	2.30	253	1078	5.82	14	2.60	299	911	4.92	13	3.00																																																																																																																																																																																																																																																																																																					
94	2898	15.65	16	1.40	108	2529	13.66	16	1.60	127	2146	11.59	15	1.90	145	1876	10.13	15	2.20	172	1585	8.56	15	2.60	187	1455	7.86	15	1.95	221	1233	6.66	14	2.30	253	1078	5.82	14	2.60	299	911	4.92	13	3.00																																																																																																																																																																																																																																																																																																										
108	2529	13.66	16	1.60	127	2146	11.59	15	1.90	145	1876	10.13	15	2.20	172	1585	8.56	15	2.60	187	1455	7.86	15	1.95	221	1233	6.66	14	2.30	253	1078	5.82	14	2.60	299	911	4.92	13	3.00																																																																																																																																																																																																																																																																																																															
127	2146	11.59	15	1.90	145	1876	10.13	15	2.20	172	1585	8.56	15	2.60	187	1455	7.86	15	1.95	221	1233	6.66	14	2.30	253	1078	5.82	14	2.60	299	911	4.92	13	3.00																																																																																																																																																																																																																																																																																																																				
145	1876	10.13	15	2.20	172	1585	8.56	15	2.60	187	1455	7.86	15	1.95	221	1233	6.66	14	2.30	253	1078	5.82	14	2.60	299	911	4.92	13	3.00																																																																																																																																																																																																																																																																																																																									
172	1585	8.56	15	2.60	187	1455	7.86	15	1.95	221	1233	6.66	14	2.30	253	1078	5.82	14	2.60	299	911	4.92	13	3.00																																																																																																																																																																																																																																																																																																																														
187	1455	7.86	15	1.95	221	1233	6.66	14	2.30	253	1078	5.82	14	2.60	299	911	4.92	13	3.00																																																																																																																																																																																																																																																																																																																																			
221	1233	6.66	14	2.30	253	1078	5.82	14	2.60	299	911	4.92	13	3.00																																																																																																																																																																																																																																																																																																																																								
253	1078	5.82	14	2.60	299	911	4.92	13	3.00																																																																																																																																																																																																																																																																																																																																													
299	911	4.92	13	3.00																																																																																																																																																																																																																																																																																																																																																		

选型参数表
(恒功率)

Selection Table
(Constant Power)

n_a [r/min]	Ma [Nm]	i	F_{ra} [kN]	f_B	机型号 Type size	极数 Pole	n_a [r/min]	Ma [Nm]	i	F_{ra} [kN]	f_B	机型号 Type size	极数 Pole
37kW							45kW						
22	15151	66.80	33	0.80	GR147 GRF147	4P	38	10847	39.32	128	3.15	GR177	4P
24	13813	60.90	51	0.90			43	9428	34.18	128	3.70	GRF177	
28	12041	53.09	60	1.00			48	8435	30.58	116	2.25	GR177 GRF177	4P
32	10594	46.71	63	1.15			54	7523	27.27	116	2.60		
37	9004	39.70	65	1.35			63	6438	23.34	105	3.25		
42	7932	34.97	66	1.50			71	5769	20.91	105	4.35		
49	6872	30.30	68	1.80			20	20223	73.31	114	0.85		
61	5466	24.10	69	2.00			22	18697	67.78	114	0.90		
72	4636	20.44	69	2.40	25	16350	59.27	114	1.05				
85	3965	17.48	70	2.40	29	13983	50.69	114	1.20				
95	3522	15.53	70	3.50	33	12424	45.04	114	1.35				
107	3148	13.88	70	3.80	37	11106	40.26	114	1.55				
39	8589	37.87	47	0.90	42	9655	35.00	114	1.80				
45	7507	33.10	51	1.00	52	7834	28.40	114	2.20				
53	6348	27.99	53	1.15	60	6761	24.51	114	2.60				
61	5530	24.38	54	1.40	48	8466	30.69	114	1.10				
67	5040	22.22	55	1.50	62	6623	24.01	114	1.95				
76	4396	19.38	55	1.75	69	5931	21.50	114	2.00				
87	3867	17.05	54	2.00	78	5244	19.01	114	2.90				
102	3287	14.49	54	2.30	87	4690	17.00	114	3.00				
116	2894	12.76	53	2.60	102	4019	14.57	114	3.50				
134	2509	11.06	52	3.10	28	14645	53.09	42	0.85				
168	1996	8.80	50	3.70	32	12885	46.71	58	0.95				
199	1690	7.45	49	2.80	37	10951	39.70	62	1.10				
229	1463	6.45	48	3.30	42	9647	34.97	64	1.25				
288	1164	5.13	45	3.70	49	8358	30.30	66	1.50				
74	4552	20.07	15	0.90	61	6648	24.10	68	1.70				
81	4130	18.21	15	1.00	72	5638	20.44	69	2.00				
95	3550	15.65	15	1.15	85	4822	17.48	69	2.00				
108	3098	13.66	15	1.30	95	4284	15.53	70	2.80				
128	2629	11.59	15	1.55	107	3829	13.88	70	3.10				
146	2298	10.13	14	1.75	123	3330	12.07	70	3.70				
173	1942	8.56	14	2.10	201	2033	7.37	71	4.10				
188	1783	7.86	14	1.55	45	9131	33.10	40	0.85				
222	1511	6.66	14	1.85	53	7721	27.99	49	0.95				
254	1320	5.82	13	2.10	61	6725	24.38	50	1.15				
301	1116	4.92	13	2.50	67	6129	22.22	50	1.25				
378	934	3.90	5.9	1.45	76	5346	19.38	51	1.45				
414	853	3.56	5.9	1.70	87	4703	17.05	51	1.65				
476	743	3.10	6.5	2.00	102	3997	14.49	51	1.90				
540	654	2.73	6.9	2.15	116	3520	12.76	50	2.10				
636	556	2.32	5.9	2.20	134	3051	11.06	49	2.50				
723	489	2.04	6.0	2.45	168	2428	8.80	48	3.10				
438	787	3.38	4.2	1.00	199	2055	7.45	48	2.30				
482	715	3.07	4.7	1.10	229	1779	6.45	46	2.70				
561	615	2.64	5.3	1.30	288	1415	5.13	44	3.00				
643	536	2.30	5.3	1.50	95	4317	15.65	14	0.95				
759	454	1.95	5.2	1.65	108	3768	13.66	14	1.10				
865	398	1.71	5.1	1.70	128	3197	11.59	14	1.25				
1028	335	1.44	5.0	1.85	146	2794	10.13	14	1.45				
45kW							45kW						
10	39963	144.87	128	0.85	GR177 GRF177	4P	173	2361	8.56	13	1.70	GR107 GRF107	4P
12	35105	127.26	128	1.00			188	2168	7.86	14	1.30		
13	31806	115.30	128	1.10			222	1837	6.66	13	1.50		
15	28112	101.91	128	1.25			254	1605	5.82	13	1.75		
16	25145	91.15	128	1.40			301	1357	4.92	12	2.00		
19	21553	78.13	128	1.60			378	1136	3.90	5.9	1.20		
23	17583	63.74	128	2.00			414	1037	3.56	5.9	1.40		
26	15727	57.01	128	2.20			476	903	3.10	6.5	1.65		
30	13480	48.87	128	2.60			540	795	2.73	6.9	1.75		
							636	676	2.32	5.9	1.80		
					723	594	2.04	6.0	2.00				

选型参数表
(恒功率)

Selection Table
(Constant Power)

n_a [r/min]	Ma [Nm]	i	F_{ra} [kN]	f_B	机型号 Type size	极数 Pole	n_a [r/min]	Ma [Nm]	i	F_{ra} [kN]	f_B	机型号 Type size	极数 Pole
45kW							75kW						
438	957	3.38	1.3	0.85			16	41909	91.15	128	0.85		
482	869	3.07	2.0	0.90			19	35922	78.13	128	0.95		
561	748	2.64	2.8	1.10	GRX107		23	29305	63.74	128	1.20	GR177	
643	651	2.30	3.5	1.25	GRXF107	4P	26	26212	57.01	128	1.35	GRF177	4P
759	552	1.95	4.0	1.35			30	22467	48.87	128	1.55		
865	484	1.71	4.3	1.40			38	18078	39.32	128	1.90		
1028	408	1.44	4.6	1.55			43	15714	34.18	128	2.20		
55kW							90kW						
12	42906	127.26	128	0.80			54	12539	27.27	116	1.55		
13	38874	115.30	128	0.90			63	10730	23.34	116	1.95		
15	34359	101.91	128	1.00			71	9615	20.91	105	2.60	GR177	4P
16	30733	91.15	128	1.15			88	7745	16.85	105	3.45	GRF177	
19	26343	78.13	128	1.30	GR177	4P	96	7073	15.38	105	3.75		
23	21490	63.74	128	1.60	GRF177		106	6402	13.93	98	4.50		
26	19222	57.01	128	1.80			33	20707	45.04	114	0.85		
30	16476	48.87	128	2.10			37	18510	40.26	114	0.95	GR167	4P
38	13257	39.32	128	2.60			42	16091	35.00	114	1.10	GRF167	
43	11524	34.18	128	3.00			52	13057	28.40	114	1.35		
54	9195	27.27	116	2.15			60	11269	24.51	114	1.55		
63	7869	23.34	116	2.65	GR177	4P	62	11039	24.01	114	1.20		
71	7051	20.91	105	3.55	GRF177		69	9885	21.50	114	1.25		
88	5680	16.85	105	4.70			78	8740	19.01	114	1.75	GR167	4P
25	19983	59.27	114	0.85			87	7816	17.00	114	1.85	GRF167	
29	17090	50.69	114	1.00			102	6699	14.57	114	2.60		
33	15185	45.04	114	1.15	GR167	4P	124	5485	11.93	111	2.90		
37	13574	40.26	114	1.25	GRF167		145	4685	10.19	107	3.40		
42	11800	35.00	114	1.45			49	13931	30.30	54	0.90	GR147	4P
52	9575	28.40	114	1.80			61	11080	24.10	62	1.00	GRF147	
60	8264	24.51	114	2.10			72	9397	20.44	65	1.20		
62	8095	24.01	114	1.60			85	8037	17.48	66	1.20		
69	7249	21.50	114	1.65			95	7140	15.53	67	1.70		
78	6409	19.01	114	2.40	GR167	4P	107	6381	13.88	68	1.85		
87	5732	17.00	114	2.50	GRF167		123	5549	12.07	69	2.20	GR147	4P
102	4912	14.57	114	3.50			151	4501	9.79	69	2.80	GRF147	
124	4022	11.93	114	4.00			175	3885	8.45	70	3.20		
32	15748	46.71	25	0.80			201	3388	7.37	69	2.50		
37	13385	39.70	55	0.90	GR147	4P	247	2749	5.98	67	3.00		
42	11790	34.97	60	1.00	GRF147		287	2372	5.16	64	3.60		
49	10216	30.30	63	1.20			90kW						
61	8125	24.10	66	1.40			19	43106	78.13	128	0.80		
72	6891	20.44	68	1.65			23	35166	63.74	128	1.00		
85	5893	17.48	68	1.65			26	31454	57.01	128	1.10	GR177	4P
95	5236	15.53	69	2.30			30	26961	48.87	128	1.30	GRF177	
107	4680	13.88	69	2.50	GR147	4P	38	21693	39.32	128	1.60		
123	4069	12.07	70	3.00	GRF147		43	18857	34.18	128	1.85		
151	3301	9.79	70	3.80			63	12876	23.34	116	1.60		
201	2485	7.37	70	3.40			71	11538	20.91	116	2.20		
247	2016	5.98	69	4.10			88	9294	16.85	105	2.90	GR177	4P
76	6534	19.38	45	1.20			96	8488	15.38	105	3.10	GRF177	
87	5748	17.05	46	1.35			106	7683	13.93	105	3.75		
102	4885	14.49	46	1.55			120	6821	12.36	98	4.45		
116	4302	12.76	47	1.75	GR137	4P	37	22063	40.26	114	0.80		
134	3729	11.06	46	2.10	GRF137		43	19180	35.00	114	0.90	GR167	4P
168	2967	8.80	46	2.50			52	15563	28.40	114	1.10	GRF167	
199	2512	7.45	46	1.90			61	13432	24.51	114	1.30		
229	2175	6.45	45	2.20			62	13158	24.01	114	1.00		
288	1730	5.13	43	2.50			69	11782	21.50	114	1.00		
477	1100	3.10	6.5	1.35			78	10418	19.01	114	1.45	GR167	4P
542	969	2.73	6.9	1.45	GRX137	4P	88	9316	17.00	114	1.50	GRF167	
638	823	2.32	5.9	1.50	GRXF137		102	7984	14.57	111	2.10		
725	724	2.04	6.0	1.65			125	6538	11.93	108	2.40		
							146	5584	10.19	105	2.90		

选型参数表
(恒功率)

Selection Table
(Constant Power)

n_a [r/min]	M_a [Nm]	i	F_{ra} [kN]	f_B	机型号 Type size	极数 Pole	n_a [r/min]	M_a [Nm]	i	F_{ra} [kN]	f_B	机型号 Type size	极数 Pole																																																																																																																																																																																																																				
90kW							110kW																																																																																																																																																																																																																										
73	11201	20.44	62	1.00	GR147 GRF147	4P	78	12733	19.01	110	1.20	GR167 GRF167	4P																																																																																																																																																																																																																				
85	9579	17.48	64	1.00			96	8510	15.53	66	1.45			107	7606	13.88	67	1.55	123	6614	12.07	68	1.85	152	5365	9.79	69	2.30	176	4631	8.45	69	2.70	202	4039	7.37	67	2.10	249	3277	5.98	65	2.50	287	2828	5.16	63	3.00	110kW							132kW							26	38186	57.01	128	0.90	GR177 GRF177	4P	30	39277	48.87	128	0.90	GR177 GRF177	4P	30	32731	48.87	128	1.05	38	26336	39.32	128	1.30	44	22893	34.18	128	1.50	64	15632	23.34	116	1.35	GR177 GRF177	4P	71	16809	20.91	116	1.50	GR177 GRF177	4P	71	14007	20.91	116	1.80	88	11283	16.85	105	2.35	97	10304	15.38	105	2.55	107	9327	13.93	105	3.10	121	8280	12.36	98	3.70	148	6726	10.04	85	5.10	52	19022	28.40	111	0.90	GR167 GRF167	4P	61	16416	24.51	111	1.05	110kW							160kW							88	11283	16.85	105	2.35	GR177 GRF177	4P	88	16412	16.85	116	1.60	GR177 GRF177	4P	97	10304	15.38	105	2.55	107	9327	13.93	105	3.10	121	8280	12.36	98	3.70	148	6726	10.04	85	5.10	52	19022	28.40	111	0.90	GR167 GRF167	4P	61	16416	24.51	111	1.05																		
96	8510	15.53	66	1.45			107	7606	13.88	67	1.55			123	6614	12.07	68	1.85	152	5365	9.79	69	2.30	176	4631	8.45	69	2.70	202	4039	7.37	67	2.10	249	3277	5.98	65	2.50	287	2828	5.16	63	3.00	110kW							132kW							26	38186	57.01	128	0.90	GR177 GRF177	4P	30	39277	48.87			128	0.90	GR177 GRF177	4P	30			32731	48.87	128	1.05	38	26336	39.32	128	1.30	44	22893	34.18	128	1.50	64	15632	23.34	116	1.35	GR177 GRF177			4P	71	16809	20.91	116			1.50	GR177 GRF177	4P	71	14007	20.91	116	1.80	88	11283	16.85	105	2.35	97	10304	15.38	105	2.55	107	9327	13.93	105	3.10	121	8280	12.36	98	3.70	148	6726	10.04	85	5.10	52	19022			28.40	111	0.90	GR167 GRF167	4P	61	16416	24.51	111	1.05	110kW							160kW									88	11283	16.85	105	2.35			GR177 GRF177	4P	88	16412	16.85	116	1.60	GR177 GRF177	4P	97	10304	15.38	105	2.55	107	9327	13.93	105	3.10	121	8280	12.36	98	3.70	148			6726	10.04	85	5.10	52	19022	28.40	111	0.90	GR167 GRF167	4P	61	16416	24.51	111	1.05							
107	7606	13.88	67	1.55			123	6614	12.07	68	1.85			152	5365	9.79	69	2.30	176	4631	8.45	69	2.70	202	4039	7.37	67	2.10	249	3277	5.98	65	2.50	287	2828	5.16	63	3.00	110kW							132kW							26	38186	57.01	128	0.90	GR177 GRF177	4P	30	39277	48.87			128	0.90	GR177 GRF177			4P	30			32731			48.87	128	1.05	38	26336	39.32	128	1.30	44	22893	34.18	128	1.50	64	15632	23.34	116	1.35	GR177 GRF177					4P	71	16809	20.91			116			1.50	GR177 GRF177	4P	71	14007	20.91	116	1.80	88	11283	16.85	105	2.35	97	10304	15.38	105	2.55	107	9327	13.93	105	3.10	121	8280	12.36	98	3.70	148	6726	10.04	85	5.10	52	19022	28.40	111			0.90	GR167 GRF167	4P	61	16416	24.51	111	1.05	110kW							160kW							88	11283	16.85	105					2.35	GR177 GRF177	4P	88	16412			16.85	116	1.60	GR177 GRF177	4P	97	10304	15.38	105	2.55	107	9327	13.93	105	3.10	121	8280	12.36	98	3.70	148	6726	10.04	85	5.10	52	19022			28.40	111	0.90	GR167 GRF167	4P	61	16416	24.51	111	1.05		
123	6614	12.07	68	1.85			152	5365	9.79	69	2.30			176	4631	8.45	69	2.70	202	4039	7.37	67	2.10	249	3277	5.98	65	2.50	287	2828	5.16	63	3.00	110kW							132kW							26	38186	57.01	128	0.90	GR177 GRF177	4P	30	39277	48.87			128	0.90	GR177 GRF177			4P	30					32731			48.87			128	1.05	38	26336	39.32	128	1.30	44	22893	34.18	128	1.50	64	15632	23.34	116	1.35	GR177 GRF177							4P	71	16809			20.91			116			1.50	GR177 GRF177	4P	71	14007	20.91	116	1.80	88	11283	16.85	105	2.35	97	10304	15.38	105	2.55	107	9327	13.93	105	3.10	121	8280	12.36	98	3.70	148	6726	10.04	85	5.10	52	19022	28.40	111			0.90	GR167 GRF167	4P	61	16416	24.51	111	1.05	110kW							160kW							88					11283			16.85	105			2.35	GR177 GRF177	4P			88	16412	16.85	116	1.60	GR177 GRF177	4P	97	10304	15.38	105	2.55	107	9327	13.93	105	3.10	121	8280	12.36	98	3.70	148	6726	10.04	85	5.10			52	19022	28.40	111	0.90	GR167 GRF167	4P
152	5365	9.79	69	2.30			176	4631	8.45	69	2.70			202	4039	7.37	67	2.10	249	3277	5.98	65	2.50	287	2828	5.16	63	3.00	110kW							132kW							26	38186	57.01	128	0.90	GR177 GRF177	4P	30	39277	48.87			128	0.90	GR177 GRF177			4P	30					32731		48.87	128		1.05			38	26336	39.32	128	1.30	44	22893	34.18	128	1.50	64	15632	23.34	116	1.35	GR177 GRF177	4P	71	16809	20.91									116	1.50			GR177 GRF177			4P			71			14007	20.91	116	1.80	88	11283	16.85	105	2.35	97	10304	15.38	105	2.55	107	9327	13.93	105	3.10	121	8280	12.36	98	3.70	148	6726	10.04	85	5.10	52	19022	28.40	111	0.90	GR167 GRF167	4P	61			16416	24.51	111	1.05	110kW							160kW							88	11283					16.85			105	2.35			GR177 GRF177					4P	88	16412	16.85	116			1.60	GR177 GRF177	4P	97	10304	15.38	105	2.55	107	9327	13.93	105	3.10	121	8280	12.36	98	3.70	148	6726	10.04	85	5.10	52	19022	28.40	111		
176	4631	8.45	69	2.70			202	4039	7.37	67	2.10	249	3277	5.98	65	2.50	287	2828	5.16	63	3.00	110kW							132kW							26	38186	57.01	128	0.90	GR177 GRF177	4P	30	39277	48.87	128	0.90			GR177 GRF177	4P	30			32731	48.87					128		1.05	38		26336		39.32	128		1.30	44	22893	34.18	128	1.50	64	15632	23.34	116	1.35	GR177 GRF177	4P	71	16809	20.91	116	1.50			GR177 GRF177	4P	71									14007	20.91									116			1.80	88	11283	16.85	105	2.35	97	10304	15.38	105	2.55	107	9327	13.93	105	3.10	121	8280	12.36	98	3.70	148	6726	10.04	85	5.10	52	19022	28.40	111	0.90	GR167 GRF167	4P	61			16416	24.51	111	1.05	110kW							160kW							88	11283	16.85	105	2.35					GR177 GRF177			4P	88									16412	16.85	116	1.60			GR177 GRF177			4P	97	10304	15.38	105	2.55	107	9327	13.93	105	3.10	121	8280	12.36	98	3.70	148	6726	10.04	85	5.10	52	19022	28.40	111	0.90
202	4039	7.37	67	2.10			249	3277	5.98	65	2.50	287	2828	5.16	63	3.00	110kW							132kW							26	38186	57.01	128	0.90	GR177 GRF177	4P	30	39277	48.87			128	0.90	GR177 GRF177	4P	30					32731			48.87	128		1.05	38		26336		39.32	128		1.30	44	22893	34.18	128	1.50	64	15632	23.34	116	1.35	GR177 GRF177	4P	71	16809	20.91			116	1.50	GR177 GRF177	4P	71					14007									20.91	116									1.80			88	11283	16.85	105	2.35	97	10304	15.38	105	2.55	107	9327	13.93	105	3.10	121	8280	12.36	98	3.70	148	6726	10.04	85	5.10	52	19022	28.40	111	0.90	GR167 GRF167			4P	61	16416	24.51	111	1.05	110kW							160kW							88	11283	16.85	105	2.35	GR177 GRF177	4P	88							16412									16.85	116	1.60	GR177 GRF177							4P	97	10304	15.38	105	2.55	107	9327	13.93	105	3.10	121	8280	12.36	98	3.70	148	6726	10.04	85	5.10	52	19022	28.40	111
249	3277	5.98	65	2.50			287	2828	5.16	63	3.00	110kW							132kW							26	38186	57.01	128	0.90	GR177 GRF177	4P	30	39277	48.87			128	0.90	GR177 GRF177			4P	30			32731					48.87	128	1.05	38	26336		39.32	128		1.30	44	22893	34.18	128	1.50	64	15632	23.34	116	1.35	GR177 GRF177	4P	71	16809	20.91			116	1.50	GR177 GRF177			4P	71			14007					20.91									116	1.80									88			11283	16.85	105	2.35	97	10304	15.38	105	2.55	107	9327	13.93	105	3.10	121	8280	12.36	98	3.70	148	6726	10.04	85	5.10	52	19022	28.40	111	0.90	GR167 GRF167		4P	61		16416	24.51	111	1.05	110kW							160kW							88	11283	16.85	105	2.35	GR177 GRF177			4P	88	16412					16.85	116	1.60							GR177 GRF177	4P	97									10304	15.38	105	2.55	107	9327	13.93	105	3.10	121	8280	12.36	98	3.70	148	6726	10.04	85	5.10	52	19022	28.40	111	0.90
287	2828	5.16	63	3.00			110kW							132kW							26	38186	57.01	128	0.90	GR177 GRF177	4P	30	39277	48.87			128	0.90	GR177 GRF177			4P	30					32731			48.87	128	1.05			38	26336	39.32	128	1.30	44	22893	34.18	128	1.50	64	15632	23.34	116	1.35	GR177 GRF177	4P	71	16809	20.91			116	1.50	GR177 GRF177			4P	71					14007			20.91					116				1.80	88				11283	16.85									105			2.35	97	10304	15.38	105	2.55	107	9327	13.93	105	3.10	121	8280	12.36	98	3.70	148	6726	10.04	85	5.10	52	19022	28.40	111	0.90	GR167 GRF167	4P	61		16416		24.51	111	1.05	110kW							160kW							88	11283	16.85	105	2.35	GR177 GRF177	4P	88					16412	16.85		116	1.60		GR177 GRF177	4P	97				10304	15.38				105									2.55	107	9327	13.93	105	3.10	121	8280	12.36	98	3.70	148	6726	10.04	85	5.10	52	19022	28.40	111	0.90	GR167 GRF167	4P	61
110kW							132kW																																																																																																																																																																																																																										
26	38186	57.01	128	0.90	GR177 GRF177	4P	30	39277	48.87	128	0.90	GR177 GRF177	4P																																																																																																																																																																																																																				
30	32731	48.87	128	1.05			38	26336	39.32	128	1.30			44	22893	34.18	128	1.50	64	15632	23.34	116	1.35	GR177 GRF177	4P			71	16809	20.91	116	1.50	GR177 GRF177	4P		71	14007		20.91	116	1.80	88	11283	16.85	105	2.35	97	10304	15.38	105	2.55	107	9327	13.93	105	3.10	121	8280	12.36	98	3.70	148	6726	10.04	85	5.10			52	19022	28.40			111	0.90					GR167 GRF167					4P			61					16416	24.51	111	1.05	110kW							160kW								88			11283	16.85	105	2.35	GR177 GRF177	4P	88	16412	16.85	116	1.60	GR177 GRF177	4P	97	10304	15.38	105	2.55	107	9327	13.93	105	3.10	121	8280	12.36	98	3.70	148	6726	10.04	85	5.10	52	19022	28.40	111	0.90	GR167 GRF167	4P	61	16416	24.51	111	1.05																																																																		
38	26336	39.32	128	1.30			44	22893	34.18	128	1.50			64	15632	23.34	116	1.35	GR177 GRF177	4P	71	16809	20.91			116	1.50	GR177 GRF177	4P	71	14007	20.91			116	1.80	88	11283	16.85	105	2.35	97	10304	15.38	105	2.55	107	9327	13.93	105	3.10	121	8280	12.36	98	3.70	148	6726	10.04	85	5.10	52	19022	28.40	111	0.90			GR167 GRF167	4P	61			16416	24.51													111	1.05	110kW							160kW							88	11283		16.85	105		2.35	GR177 GRF177	4P			88	16412	16.85	116			1.60	GR177 GRF177	4P	97	10304			15.38	105	2.55	107	9327	13.93	105	3.10	121	8280	12.36	98	3.70	148	6726	10.04	85	5.10	52	19022	28.40	111	0.90	GR167 GRF167	4P			61	16416	24.51	111	1.05																																																																		
44	22893	34.18	128	1.50			64	15632	23.34	116	1.35			GR177 GRF177	4P	71	16809	20.91			116	1.50	GR177 GRF177			4P	71			14007	20.91	116			1.80	88	11283	16.85	105	2.35	97	10304	15.38	105	2.55	107	9327	13.93	105	3.10	121	8280	12.36	98	3.70	148	6726	10.04	85	5.10	52	19022	28.40	111	0.90	GR167 GRF167					4P			61	16416					24.51		111	1.05		110kW								160kW							88	11283	16.85	105	2.35	GR177 GRF177		4P	88		16412			16.85	116	1.60	GR177 GRF177	4P	97			10304			15.38	105			2.55	107	9327	13.93	105	3.10	121	8280	12.36	98	3.70	148	6726	10.04	85	5.10	52	19022	28.40	111	0.90	GR167 GRF167	4P			61	16416	24.51	111	1.05																																																																				
64	15632	23.34	116	1.35	GR177 GRF177	4P	71	16809	20.91	116	1.50	GR177 GRF177	4P																																																																																																																																																																																																																				
71	14007	20.91	116	1.80			88	11283	16.85	105	2.35					97	10304	15.38			105	2.55					107			9327	13.93	105			3.10	121	8280	12.36	98	3.70	148	6726	10.04	85	5.10	52	19022	28.40	111	0.90	GR167 GRF167	4P	61	16416	24.51	111	1.05	110kW							160kW							88	11283	16.85	105		2.35	GR177 GRF177		4P		88	16412		16.85			116	1.60	GR177 GRF177	4P	97	10304	15.38	105	2.55	107	9327	13.93	105	3.10	121	8280	12.36		98		3.70	148	6726			10.04	85	5.10			52			19022			28.40	111			0.90	GR167 GRF167	4P	61	16416	24.51	111	1.05																																																																																										
88	11283	16.85	105	2.35			97	10304	15.38	105	2.55					107	9327	13.93			105	3.10					121			8280	12.36	98			3.70	148	6726	10.04	85	5.10	52	19022	28.40	111	0.90	GR167 GRF167	4P	61	16416	24.51			111	1.05	110kW							160kW							88	11283	16.85	105	2.35	GR177 GRF177	4P		88					16412	16.85		116	1.60	GR177 GRF177	4P	97			10304	15.38	105	2.55	107	9327	13.93	105	3.10	121	8280	12.36	98		3.70		148	6726	10.04			85	5.10	52			19022			28.40			111	0.90			GR167 GRF167			4P	61	16416	24.51	111	1.05																																																																																									
97	10304	15.38	105	2.55			107	9327	13.93	105	3.10					121	8280	12.36			98	3.70					148			6726	10.04	85			5.10	52	19022	28.40	111	0.90	GR167 GRF167	4P	61	16416	24.51			111	1.05	110kW							160kW							88	11283	16.85	105	2.35	GR177 GRF177	4P	88	16412	16.85				116				1.60	GR177 GRF177	4P	97	10304	15.38			105			2.55	107	9327	13.93	105	3.10	121	8280	12.36	98	3.70	148	6726		10.04		85	5.10	52			19022	28.40	111			0.90	GR167 GRF167	4P	61			16416	24.51	111	1.05																																																																																																		
107	9327	13.93	105	3.10			121	8280	12.36	98	3.70					148	6726	10.04			85	5.10					52			19022	28.40	111			0.90	GR167 GRF167	4P	61	16416	24.51			111	1.05	110kW							160kW							88	11283	16.85	105	2.35	GR177 GRF177	4P	88	16412	16.85			116	1.60	GR177 GRF177			4P	97		10304		15.38			105	2.55	107			9327			13.93	105	3.10	121	8280	12.36	98	3.70	148	6726	10.04	85	5.10		52		19022	28.40	111	0.90	GR167 GRF167	4P	61	16416			24.51			111	1.05																																																																																																							
121	8280	12.36	98	3.70			148	6726	10.04	85	5.10					52	19022	28.40			111	0.90		GR167 GRF167	4P		61			16416	24.51	111			1.05			110kW							160kW							88	11283	16.85	105	2.35	GR177 GRF177	4P	88	16412	16.85	116	1.60			GR177 GRF177	4P	97			10304	15.38					105		2.55		107			9327	13.93	105			3.10			121	8280	12.36	98	3.70	148	6726	10.04	85	5.10	52	19022	28.40	111	0.90	GR167 GRF167	4P	61	16416	24.51			111	1.05																																																																																																														
148	6726	10.04	85	5.10			52	19022	28.40	111	0.90					GR167 GRF167	4P	61	16416	24.51	111	1.05					110kW								160kW							88	11283	16.85	105	2.35	GR177 GRF177	4P	88	16412	16.85	116	1.60	GR177 GRF177	4P	97			10304	15.38	105	2.55	107					9327			13.93	105					3.10		121		8280			12.36	98	3.70			148			6726	10.04	85	5.10	52	19022	28.40	111	0.90	GR167 GRF167	4P	61	16416	24.51	111			1.05																																																																																																																				
52	19022	28.40	111	0.90			GR167 GRF167	4P	61	16416	24.51			111	1.05			110kW							160kW							88	11283	16.85	105	2.35	GR177 GRF177	4P	88	16412	16.85	116	1.60	GR177 GRF177	4P	97			10304	15.38	105	2.55	107			9327			13.93	105	3.10	121	8280					12.36			98	3.70					148	6726	10.04	85	5.10			52	19022	28.40			111	0.90	GR167 GRF167	4P	61	16416	24.51	111	1.05																																																																																																																																
61	16416	24.51	111	1.05	110kW									160kW							88	11283		16.85	105		2.35	GR177 GRF177	4P	88	16412	16.85	116	1.60	GR177 GRF177	4P			97	10304	15.38	105	2.55			107			9327	13.93	105	3.10	121			8280			12.36	98	3.70	148	6726					10.04			85	5.10		52	19022		28.40	111	0.90	GR167 GRF167	4P			61	16416	24.51	111	1.05																																																																																																																																									
110kW							160kW																																																																																																																																																																																																																										
88	11283	16.85	105	2.35	GR177 GRF177	4P	88	16412	16.85	116	1.60	GR177 GRF177	4P																																																																																																																																																																																																																				
97	10304	15.38	105	2.55			107	9327	13.93	105	3.10			121	8280	12.36	98	3.70	148	6726	10.04	85	5.10	52	19022	28.40	111			0.90	GR167 GRF167	4P	61	16416					24.51	111	1.05																																																																																																																																																																																								
107	9327	13.93	105	3.10			121	8280	12.36	98	3.70			148	6726	10.04	85	5.10	52	19022	28.40	111	0.90	GR167 GRF167	4P	61	16416			24.51			111	1.05																																																																																																																																																																																															
121	8280	12.36	98	3.70			148	6726	10.04	85	5.10			52	19022	28.40	111	0.90	GR167 GRF167	4P	61	16416	24.51			111	1.05																																																																																																																																																																																																						
148	6726	10.04	85	5.10			52	19022	28.40	111	0.90			GR167 GRF167	4P	61	16416	24.51			111	1.05																																																																																																																																																																																																											
52	19022	28.40	111	0.90			GR167 GRF167	4P	61	16416	24.51					111	1.05																																																																																																																																																																																																																
61	16416	24.51	111	1.05																																																																																																																																																																																																																													

选型参数表
(恒扭矩)

Selection Table
(Constant Torque)

Mamax [Nm]	n _a [r/min]	i	F _{ra} [kN]	机型号 Type size	P [kW]/4P	Mamax [Nm]	n _a [r/min]	i	F _{ra} [kN]	机型号 Type size	P [kW]/4P																																																																																																																																																																																																																																																																																																																																																																																																																																																																																																																																																																																																																																																											
130	0.16	8612	4	GR27R17 GRF27R17	0.12	200	4.8	289	4.7	GR37R17 GRF37R17	0.18																																																																																																																																																																																																																																																																																																																																																																																																																																																																																																																																																																																																																																																											
	0.19	7425	4				0.20	6921	4			0.23	6050	4	0.27	5217	4	0.30	4661	4	0.34	4073	4	0.40	3516	4	0.44	3160	4	0.50	2763	4	0.58	2414	4	0.66	2110	4	0.76	1822	4	GR27R17 GRF27R17	0.12	300	0.10	13598	5.1	GR47R37 GRF47R37	0.12	0.88	1580	4	0.95	1464	4	1.1	1270	4	1.3	1100	4	1.4	972	4	1.7	840	4	1.9	741	4	2.1	654	4	2.5	566	4	2.8	499	4	3.2	440	4	3.6	381	4	4.2	329	4	4.8	290	4	5.4	256	4	6.1	227	4	6.8	203	4	7.8	179	4	GR27R17 GRF27R17	0.18	450	0.10	14369	6.7	GR57R37 GRF57R37	0.12	8.9	156	4	10	135	4	12	118	4	13	104	4	GR27R17 GRF27R17	0.25	0.11	12095	6.7	15	90	4	0.13	10860	6.7	7.8	179	4	8.9	156	4	10	135	4	12	118	4	13	104	4	15	90	4	0.15	9155	5.1	0.16	8534	5.1	0.19	7460	5.1	0.20	6993	5.1	0.23	6171	5.1	0.25	5624	5.1	0.29	4849	5.1	0.31	4520	5.1	0.35	3951	5.1	0.38	3704	5.1	0.43	3268	5.1	0.48	2898	5.1	0.56	2463	5.1	0.54	2598	5.1	0.58	2383	5.1	0.69	2029	5.1	0.79	1749	5.1	0.85	1630	5.1	0.98	1425	5.1	1.0	1336	5.1	1.2	1179	5.1	1.3	1074	5.1	1.5	927	5.1	1.6	863	5.1	1.8	755	5.1	2.5	546	5.1	2.8	502	5.1	3.2	429	5.1	3.7	372	5.1	4.0	348	5.1	4.6	301	5.1	5.5	255	5.1	6.1	228	5.1	0.16	8595	4.7	GR37R17 GRF37R17	0.12	0.16	8480	6.7	0.19	7411	4.7	0.20	6907	4.7	0.23	6038	4.7	0.27	5206	4.7	0.30	4651	4.7	0.34	4065	4.7	0.38	3658	4.7	0.44	3154	4.7	0.50	2757	4.7	0.58	2409	4.7	0.66	2106	4.7	0.76	1818	4.7	0.88	1576	4.7	1.0	1359	4.7	1.1	1267	4.7	1.3	1098	4.7	1.4	970	4.7	1.7	839	4.7	1.9	740	4.7	2.1	653	4.7	2.4	577	4.7	2.8	498	4.7	3.2	439	4.7	3.7	378	4.7	4.2	328	4.7	0.10	1074	5.1	1.5	927	5.1	1.6	863	5.1	1.8	755	5.1	2.5	546	5.1	2.8	502	5.1	3.2	429	5.1	3.7	372	5.1	4.0	348	5.1	4.6	301	5.1	5.5	255	5.1	6.1	228	5.1	0.10	13598	5.1	0.11	12472	5.1	0.13	10619	5.1	0.15	9155	5.1	0.16	8534	5.1	0.19	7460	5.1	0.20	6993	5.1	0.23	6171	5.1	0.25	5624	5.1	0.29	4849	5.1	0.31	4520	5.1	0.35	3951	5.1	0.38	3704	5.1	0.43	3268	5.1	0.48	2898	5.1	0.56	2463	5.1	0.54	2598	5.1	0.58	2383	5.1	0.69	2029	5.1	0.79	1749	5.1	0.85	1630	5.1	0.98	1425	5.1	1.0	1336	5.1	1.2	1179	5.1	1.3	1074	5.1	1.5	927	5.1	1.6	863	5.1	1.8	755	5.1	2.5	546	5.1	2.8	502	5.1	3.2	429	5.1	3.7	372	5.1	4.0	348	5.1	4.6	301	5.1	5.5	255	5.1	6.1	228	5.1	0.10	13598	5.1	0.11	12472	5.1	0.13	10619	5.1	0.15	9155	5.1	0.16	8534	5.1	0.19	7460	5.1	0.20	6993	5.1	0.23	6171	5.1	0.25	5624	5.1	0.29	4849	5.1	0.31	4520	5.1	0.35	3951	5.1	0.38	3704	5.1	0.43	3268	5.1	0.48	2898	5.1	0.56	2463	5.1	0.54	2598	5.1	0.58	2383	5.1	0.69	2029	5.1	0.79	1749	5.1	0.85	1630	5.1	0.98	1425	5.1	1.0	1336	5.1	1.2	1179	5.1	1.3	1074	5.1	1.5	927	5.1	1.6	863	5.1	1.8	755	5.1	2.5	546	5.1	2.8	502	5.1	3.2	429	5.1	3.7	372	5.1	4.0	348	5.1	4.6	301	5.1	5.5	255	5.1	6.1	228	5.1																																																												
	0.20	6921	4				0.23	6050	4			0.27	5217	4	0.30	4661	4	0.34	4073	4	0.40	3516	4	0.44	3160	4	0.50	2763	4	0.58	2414	4	0.66	2110	4	0.76	1822	4	GR27R17 GRF27R17	0.12	300				0.10	13598	5.1			GR47R37 GRF47R37	0.12	0.88	1580	4	0.95	1464	4	1.1	1270	4	1.3	1100	4	1.4	972	4	1.7	840	4	1.9	741	4	2.1	654	4	2.5	566	4	2.8	499	4	3.2	440	4	3.6	381	4	4.2	329	4	4.8	290	4	5.4	256	4	6.1	227	4	6.8	203	4	7.8				179	4	GR27R17 GRF27R17			0.18	450	0.10	14369	6.7	GR57R37 GRF57R37	0.12	8.9	156	4	10	135			4	12	118	4	13	104	4	GR27R17 GRF27R17	0.25	0.11	12095	6.7	15	90	4	0.13	10860	6.7	7.8	179	4	8.9	156	4	10	135	4	12	118	4	13	104	4	15	90	4	0.15	9155	5.1	0.16	8534	5.1	0.19	7460	5.1	0.20	6993	5.1	0.23	6171	5.1	0.25	5624	5.1	0.29	4849	5.1	0.31	4520	5.1	0.35	3951	5.1	0.38	3704	5.1	0.43	3268	5.1	0.48	2898	5.1	0.56	2463	5.1	0.54	2598	5.1	0.58	2383	5.1	0.69	2029	5.1	0.79	1749	5.1	0.85	1630	5.1	0.98	1425	5.1	1.0	1336	5.1	1.2	1179	5.1	1.3	1074	5.1	1.5	927	5.1	1.6	863	5.1	1.8	755	5.1	2.5	546	5.1	2.8	502	5.1	3.2	429	5.1	3.7	372	5.1	4.0	348	5.1	4.6	301	5.1			5.5	255	5.1	6.1	228	5.1	0.16	8595	4.7	GR37R17 GRF37R17	0.12	0.16	8480	6.7	0.19	7411	4.7	0.20	6907	4.7	0.23	6038	4.7	0.27	5206	4.7	0.30	4651	4.7	0.34	4065	4.7	0.38	3658	4.7	0.44	3154	4.7	0.50	2757	4.7	0.58	2409	4.7	0.66	2106	4.7	0.76	1818	4.7	0.88	1576	4.7	1.0	1359	4.7	1.1	1267	4.7	1.3	1098	4.7	1.4	970	4.7	1.7	839	4.7	1.9	740	4.7	2.1	653	4.7	2.4	577	4.7	2.8	498	4.7	3.2	439	4.7	3.7	378	4.7	4.2	328	4.7	0.10	1074	5.1	1.5	927	5.1	1.6	863	5.1	1.8	755	5.1	2.5	546	5.1	2.8	502	5.1	3.2	429	5.1	3.7	372	5.1	4.0	348	5.1	4.6	301	5.1	5.5	255	5.1	6.1	228	5.1	0.10	13598	5.1	0.11	12472	5.1	0.13	10619	5.1	0.15	9155	5.1	0.16	8534	5.1	0.19	7460	5.1	0.20	6993	5.1	0.23	6171	5.1	0.25	5624	5.1	0.29	4849	5.1	0.31	4520	5.1	0.35	3951	5.1	0.38	3704	5.1	0.43	3268	5.1	0.48	2898	5.1	0.56	2463	5.1	0.54	2598	5.1	0.58	2383	5.1	0.69	2029	5.1	0.79	1749	5.1	0.85	1630	5.1	0.98	1425	5.1	1.0	1336	5.1	1.2	1179	5.1	1.3	1074	5.1	1.5	927	5.1	1.6	863	5.1	1.8	755	5.1	2.5	546	5.1	2.8	502	5.1	3.2	429	5.1	3.7	372	5.1	4.0	348	5.1	4.6	301	5.1	5.5	255	5.1	6.1	228	5.1	0.10	13598	5.1	0.11	12472	5.1	0.13	10619	5.1	0.15	9155	5.1	0.16	8534	5.1	0.19	7460	5.1	0.20	6993	5.1	0.23	6171	5.1	0.25	5624	5.1	0.29	4849	5.1	0.31	4520	5.1	0.35	3951	5.1	0.38	3704	5.1	0.43	3268	5.1	0.48	2898	5.1	0.56	2463	5.1	0.54	2598	5.1	0.58	2383	5.1	0.69	2029	5.1	0.79	1749	5.1	0.85	1630	5.1	0.98	1425	5.1	1.0	1336	5.1	1.2	1179	5.1	1.3	1074	5.1	1.5	927	5.1	1.6	863	5.1	1.8	755	5.1	2.5	546	5.1	2.8	502	5.1	3.2	429	5.1	3.7	372	5.1	4.0	348	5.1	4.6	301	5.1	5.5	255	5.1	6.1	228	5.1																																																	
	0.23	6050	4				0.27	5217	4			0.30	4661	4	0.34	4073	4	0.40	3516	4	0.44	3160	4	0.50	2763	4	0.58	2414	4	0.66	2110	4	0.76	1822	4	GR27R17 GRF27R17	0.12	300							0.10	13598	5.1					GR47R37 GRF47R37	0.12	0.88	1580	4	0.95	1464	4	1.1	1270	4	1.3	1100	4	1.4	972	4	1.7	840	4	1.9	741	4	2.1	654	4	2.5	566	4	2.8	499	4	3.2	440	4	3.6	381	4	4.2	329	4	4.8	290	4	5.4	256	4	6.1	227	4	6.8	203				4	7.8						179	4	GR27R17 GRF27R17			0.18	450	0.10	14369	6.7			GR57R37 GRF57R37	0.12	8.9	156	4	10	135			4	12	118	4	13	104	4	GR27R17 GRF27R17	0.25	0.11	12095	6.7	15	90	4	0.13	10860	6.7	7.8	179	4	8.9	156	4	10	135	4	12	118	4	13	104	4	15	90	4	0.15	9155	5.1	0.16	8534	5.1	0.19	7460	5.1	0.20	6993	5.1	0.23	6171	5.1	0.25	5624	5.1	0.29	4849	5.1	0.31	4520	5.1	0.35	3951	5.1	0.38	3704	5.1	0.43	3268	5.1	0.48	2898	5.1	0.56	2463	5.1	0.54	2598	5.1	0.58	2383	5.1	0.69	2029	5.1	0.79	1749	5.1	0.85	1630	5.1	0.98	1425	5.1	1.0	1336	5.1	1.2	1179	5.1	1.3	1074	5.1	1.5	927	5.1	1.6	863	5.1	1.8	755	5.1	2.5	546	5.1	2.8	502	5.1	3.2	429	5.1			3.7	372	5.1	4.0	348	5.1	4.6	301	5.1			5.5	255	5.1	6.1	228	5.1	0.16	8595	4.7	GR37R17 GRF37R17	0.12	0.16	8480	6.7	0.19	7411	4.7	0.20	6907	4.7	0.23	6038	4.7	0.27	5206	4.7	0.30	4651	4.7	0.34	4065	4.7	0.38	3658	4.7	0.44	3154	4.7	0.50	2757	4.7	0.58	2409	4.7	0.66	2106	4.7	0.76	1818	4.7	0.88	1576	4.7	1.0	1359	4.7	1.1	1267	4.7	1.3	1098	4.7	1.4	970	4.7	1.7	839	4.7	1.9	740	4.7	2.1	653	4.7	2.4	577	4.7	2.8	498	4.7	3.2	439	4.7	3.7	378	4.7	4.2	328	4.7	0.10	1074	5.1	1.5	927	5.1	1.6	863	5.1	1.8	755	5.1	2.5	546	5.1	2.8	502	5.1	3.2	429	5.1	3.7	372	5.1	4.0	348	5.1	4.6	301	5.1	5.5	255	5.1	6.1	228	5.1	0.10	13598	5.1	0.11	12472	5.1	0.13	10619	5.1	0.15	9155	5.1	0.16	8534	5.1	0.19	7460	5.1	0.20	6993	5.1	0.23	6171	5.1	0.25	5624	5.1	0.29	4849	5.1	0.31	4520	5.1	0.35	3951	5.1	0.38	3704	5.1	0.43	3268	5.1	0.48	2898	5.1	0.56	2463	5.1	0.54	2598	5.1	0.58	2383	5.1	0.69	2029	5.1	0.79	1749	5.1	0.85	1630	5.1	0.98	1425	5.1	1.0	1336	5.1	1.2	1179	5.1	1.3	1074	5.1	1.5	927	5.1	1.6	863	5.1	1.8	755	5.1	2.5	546	5.1	2.8	502	5.1	3.2	429	5.1	3.7	372	5.1	4.0	348	5.1	4.6	301	5.1	5.5	255	5.1	6.1	228	5.1	0.10	13598	5.1	0.11	12472	5.1	0.13	10619	5.1	0.15	9155	5.1	0.16	8534	5.1	0.19	7460	5.1	0.20	6993	5.1	0.23	6171	5.1	0.25	5624	5.1	0.29	4849	5.1	0.31	4520	5.1	0.35	3951	5.1	0.38	3704	5.1	0.43	3268	5.1	0.48	2898	5.1	0.56	2463	5.1	0.54	2598	5.1	0.58	2383	5.1	0.69	2029	5.1	0.79	1749	5.1	0.85	1630	5.1	0.98	1425	5.1	1.0	1336	5.1	1.2	1179	5.1	1.3	1074	5.1	1.5	927	5.1	1.6	863	5.1	1.8	755	5.1	2.5	546	5.1	2.8	502	5.1	3.2	429	5.1	3.7	372	5.1	4.0	348	5.1	4.6	301	5.1	5.5	255	5.1	6.1	228	5.1																																						
	0.27	5217	4				0.30	4661	4	0.34	4073	4	0.40	3516	4	0.44	3160	4	0.50	2763	4	0.58	2414	4	0.66	2110	4	0.76	1822	4	GR27R17 GRF27R17	0.12	300	0.10	13598										5.1	GR47R37 GRF47R37	0.12							0.88	1580	4	0.95	1464	4	1.1	1270	4	1.3	1100	4	1.4	972	4	1.7	840	4	1.9	741	4	2.1	654	4	2.5	566	4	2.8	499	4	3.2	440	4	3.6	381	4	4.2	329	4	4.8	290	4	5.4	256	4	6.1	227	4	6.8	203				4	7.8						179	4						GR27R17 GRF27R17	0.18	450					0.10	14369	6.7	GR57R37 GRF57R37	0.12			8.9	156	4	10	135	4	12			118	4	13	104	4	GR27R17 GRF27R17	0.25	0.11	12095	6.7	15	90	4	0.13	10860	6.7	7.8	179	4	8.9	156	4	10	135	4	12	118	4	13	104	4	15	90	4	0.15	9155	5.1	0.16	8534	5.1	0.19	7460	5.1	0.20	6993	5.1	0.23	6171	5.1	0.25	5624	5.1	0.29	4849	5.1	0.31	4520	5.1	0.35	3951	5.1	0.38	3704	5.1	0.43	3268	5.1	0.48	2898	5.1	0.56	2463	5.1	0.54	2598	5.1	0.58	2383	5.1	0.69	2029	5.1	0.79	1749	5.1	0.85	1630	5.1	0.98	1425	5.1	1.0	1336	5.1	1.2	1179	5.1	1.3	1074	5.1	1.5	927	5.1	1.6	863	5.1	1.8	755	5.1	2.5	546			5.1	2.8	502	5.1	3.2	429	5.1	3.7	372			5.1	4.0	348	5.1	4.6	301	5.1	5.5	255			5.1	6.1	228	5.1	0.16	8595	4.7	GR37R17 GRF37R17	0.12	0.16	8480	6.7	0.19	7411	4.7	0.20	6907	4.7	0.23	6038	4.7	0.27	5206	4.7	0.30	4651	4.7	0.34	4065	4.7	0.38	3658	4.7	0.44	3154	4.7	0.50	2757	4.7	0.58	2409	4.7	0.66	2106	4.7	0.76	1818	4.7	0.88	1576	4.7	1.0	1359	4.7	1.1	1267	4.7	1.3	1098	4.7	1.4	970	4.7	1.7	839	4.7	1.9	740	4.7	2.1	653	4.7	2.4	577	4.7	2.8	498	4.7	3.2	439	4.7	3.7	378	4.7	4.2	328	4.7	0.10	1074	5.1	1.5	927	5.1	1.6	863	5.1	1.8	755	5.1	2.5	546	5.1	2.8	502	5.1	3.2	429	5.1	3.7	372	5.1	4.0	348	5.1	4.6	301	5.1	5.5	255	5.1	6.1	228	5.1	0.10	13598	5.1	0.11	12472	5.1	0.13	10619	5.1	0.15	9155	5.1	0.16	8534	5.1	0.19	7460	5.1	0.20	6993	5.1	0.23	6171	5.1	0.25	5624	5.1	0.29	4849	5.1	0.31	4520	5.1	0.35	3951	5.1	0.38	3704	5.1	0.43	3268	5.1	0.48	2898	5.1	0.56	2463	5.1	0.54	2598	5.1	0.58	2383	5.1	0.69	2029	5.1	0.79	1749	5.1	0.85	1630	5.1	0.98	1425	5.1	1.0	1336	5.1	1.2	1179	5.1	1.3	1074	5.1	1.5	927	5.1	1.6	863	5.1	1.8	755	5.1	2.5	546	5.1	2.8	502	5.1	3.2	429	5.1	3.7	372	5.1	4.0	348	5.1	4.6	301	5.1	5.5	255	5.1	6.1	228	5.1	0.10	13598	5.1	0.11	12472	5.1	0.13	10619	5.1	0.15	9155	5.1	0.16	8534	5.1	0.19	7460	5.1	0.20	6993	5.1	0.23	6171	5.1	0.25	5624	5.1	0.29	4849	5.1	0.31	4520	5.1	0.35	3951	5.1	0.38	3704	5.1	0.43	3268	5.1	0.48	2898	5.1	0.56	2463	5.1	0.54	2598	5.1	0.58	2383	5.1	0.69	2029	5.1	0.79	1749	5.1	0.85	1630	5.1	0.98	1425	5.1	1.0	1336	5.1	1.2	1179	5.1	1.3	1074	5.1	1.5	927	5.1	1.6	863	5.1	1.8	755	5.1	2.5	546	5.1	2.8	502	5.1	3.2	429	5.1	3.7	372	5.1	4.0	348	5.1	4.6	301	5.1	5.5	255	5.1	6.1	228	5.1																													
	0.30	4661	4				0.34	4073	4	0.40	3516	4	0.44	3160	4	0.50	2763	4	0.58	2414	4	0.66	2110	4	0.76	1822	4	GR27R17 GRF27R17	0.12	300				0.10	13598										5.1									GR47R37 GRF47R37	0.12	0.88	1580	4	0.95	1464	4	1.1	1270	4	1.3	1100	4	1.4	972	4	1.7	840	4	1.9	741	4	2.1	654	4	2.5	566	4	2.8	499	4	3.2	440	4	3.6	381	4	4.2	329	4	4.8	290	4	5.4	256	4	6.1	227	4	6.8	203		4	7.8						179	4									GR27R17 GRF27R17	0.18			450	0.10	14369					6.7	GR57R37 GRF57R37	0.12	8.9	156	4	10			135	4	12	118	4			13	104	4	GR27R17 GRF27R17	0.25	0.11	12095	6.7	15	90	4	0.13	10860	6.7	7.8	179	4	8.9	156	4	10	135	4	12	118	4	13	104	4	15	90	4	0.15	9155	5.1	0.16	8534	5.1	0.19	7460	5.1	0.20	6993	5.1	0.23	6171	5.1	0.25	5624	5.1	0.29	4849	5.1	0.31	4520	5.1	0.35	3951	5.1	0.38	3704	5.1	0.43	3268	5.1	0.48	2898	5.1	0.56	2463	5.1	0.54	2598	5.1	0.58	2383	5.1	0.69	2029	5.1	0.79	1749	5.1	0.85	1630	5.1	0.98	1425	5.1	1.0	1336	5.1	1.2	1179	5.1	1.3	1074	5.1	1.5	927	5.1	1.6	863	5.1			1.8	755	5.1	2.5	546	5.1	2.8	502	5.1			3.2	429	5.1	3.7	372	5.1	4.0	348	5.1			4.6	301	5.1	5.5	255	5.1	6.1			228	5.1	0.16	8595	4.7	GR37R17 GRF37R17	0.12	0.16	8480	6.7	0.19	7411	4.7	0.20	6907	4.7	0.23	6038	4.7	0.27	5206	4.7	0.30	4651	4.7	0.34	4065	4.7	0.38	3658	4.7	0.44	3154	4.7	0.50	2757	4.7	0.58	2409	4.7	0.66	2106	4.7	0.76	1818	4.7	0.88	1576	4.7	1.0	1359	4.7	1.1	1267	4.7	1.3	1098	4.7	1.4	970	4.7	1.7	839	4.7	1.9	740	4.7	2.1	653	4.7	2.4	577	4.7	2.8	498	4.7	3.2	439	4.7	3.7	378	4.7	4.2	328	4.7	0.10	1074	5.1	1.5	927	5.1	1.6	863	5.1	1.8	755	5.1	2.5	546	5.1	2.8	502	5.1	3.2	429	5.1	3.7	372	5.1	4.0	348	5.1	4.6	301	5.1	5.5	255	5.1	6.1	228	5.1	0.10	13598	5.1	0.11	12472	5.1	0.13	10619	5.1	0.15	9155	5.1	0.16	8534	5.1	0.19	7460	5.1	0.20	6993	5.1	0.23	6171	5.1	0.25	5624	5.1	0.29	4849	5.1	0.31	4520	5.1	0.35	3951	5.1	0.38	3704	5.1	0.43	3268	5.1	0.48	2898	5.1	0.56	2463	5.1	0.54	2598	5.1	0.58	2383	5.1	0.69	2029	5.1	0.79	1749	5.1	0.85	1630	5.1	0.98	1425	5.1	1.0	1336	5.1	1.2	1179	5.1	1.3	1074	5.1	1.5	927	5.1	1.6	863	5.1	1.8	755	5.1	2.5	546	5.1	2.8	502	5.1	3.2	429	5.1	3.7	372	5.1	4.0	348	5.1	4.6	301	5.1	5.5	255	5.1	6.1	228	5.1	0.10	13598	5.1	0.11	12472	5.1	0.13	10619	5.1	0.15	9155	5.1	0.16	8534	5.1	0.19	7460	5.1	0.20	6993	5.1	0.23	6171	5.1	0.25	5624	5.1	0.29	4849	5.1	0.31	4520	5.1	0.35	3951	5.1	0.38	3704	5.1	0.43	3268	5.1	0.48	2898	5.1	0.56	2463	5.1	0.54	2598	5.1	0.58	2383	5.1	0.69	2029	5.1	0.79	1749	5.1	0.85	1630	5.1	0.98	1425	5.1	1.0	1336	5.1	1.2	1179	5.1	1.3	1074	5.1	1.5	927	5.1	1.6	863	5.1	1.8	755	5.1	2.5	546	5.1	2.8	502	5.1	3.2	429	5.1	3.7	372	5.1	4.0	348	5.1	4.6	301	5.1	5.5	255	5.1	6.1	228	5.1																						
	0.34	4073	4				0.40	3516	4	0.44	3160	4	0.50	2763	4	0.58	2414	4	0.66	2110	4	0.76	1822	4	GR27R17 GRF27R17	0.12	300							0.10	13598										5.1											GR47R37 GRF47R37	0.12	0.88	1580	4	0.95	1464	4	1.1	1270	4	1.3	1100	4	1.4	972	4	1.7	840	4	1.9	741	4	2.1	654	4	2.5	566	4	2.8	499	4	3.2	440	4	3.6	381	4	4.2	329	4	4.8	290	4	5.4	256	4	6.1	227	4		6.8	203	4			7.8		179	4														GR27R17 GRF27R17	0.18			450	0.10	14369			6.7	GR57R37 GRF57R37	0.12	8.9			156	4	10	135	4			12	118	4			13	104	4	GR27R17 GRF27R17	0.25	0.11	12095	6.7	15	90	4	0.13	10860	6.7	7.8	179	4	8.9	156	4	10	135	4	12	118	4	13	104	4	15	90	4	0.15	9155	5.1	0.16	8534	5.1	0.19	7460	5.1	0.20	6993	5.1	0.23	6171	5.1	0.25	5624	5.1	0.29	4849	5.1	0.31	4520	5.1	0.35	3951	5.1	0.38	3704	5.1	0.43	3268	5.1	0.48	2898	5.1	0.56	2463	5.1	0.54	2598	5.1	0.58	2383	5.1	0.69	2029	5.1	0.79	1749	5.1	0.85	1630	5.1	0.98	1425	5.1	1.0	1336	5.1	1.2	1179	5.1	1.3	1074	5.1	1.5			927	5.1	1.6	863	5.1	1.8	755	5.1	2.5			546	5.1	2.8	502	5.1	3.2	429	5.1	3.7			372	5.1	4.0	348	5.1	4.6	301			5.1	5.5	255	5.1	6.1			228	5.1	0.16	8595	4.7	GR37R17 GRF37R17	0.12	0.16	8480	6.7	0.19	7411	4.7	0.20	6907	4.7	0.23	6038	4.7	0.27	5206	4.7	0.30	4651	4.7	0.34	4065	4.7	0.38	3658	4.7	0.44	3154	4.7	0.50	2757	4.7	0.58	2409	4.7	0.66	2106	4.7	0.76	1818	4.7	0.88	1576	4.7	1.0	1359	4.7	1.1	1267	4.7	1.3	1098	4.7	1.4	970	4.7	1.7	839	4.7	1.9	740	4.7	2.1	653	4.7	2.4	577	4.7	2.8	498	4.7	3.2	439	4.7	3.7	378	4.7	4.2	328	4.7	0.10	1074	5.1	1.5	927	5.1	1.6	863	5.1	1.8	755	5.1	2.5	546	5.1	2.8	502	5.1	3.2	429	5.1	3.7	372	5.1	4.0	348	5.1	4.6	301	5.1	5.5	255	5.1	6.1	228	5.1	0.10	13598	5.1	0.11	12472	5.1	0.13	10619	5.1	0.15	9155	5.1	0.16	8534	5.1	0.19	7460	5.1	0.20	6993	5.1	0.23	6171	5.1	0.25	5624	5.1	0.29	4849	5.1	0.31	4520	5.1	0.35	3951	5.1	0.38	3704	5.1	0.43	3268	5.1	0.48	2898	5.1	0.56	2463	5.1	0.54	2598	5.1	0.58	2383	5.1	0.69	2029	5.1	0.79	1749	5.1	0.85	1630	5.1	0.98	1425	5.1	1.0	1336	5.1	1.2	1179	5.1	1.3	1074	5.1	1.5	927	5.1	1.6	863	5.1	1.8	755	5.1	2.5	546	5.1	2.8	502	5.1	3.2	429	5.1	3.7	372	5.1	4.0	348	5.1	4.6	301	5.1	5.5	255	5.1	6.1	228	5.1	0.10	13598	5.1	0.11	12472	5.1	0.13	10619	5.1	0.15	9155	5.1	0.16	8534	5.1	0.19	7460	5.1	0.20	6993	5.1	0.23	6171	5.1	0.25	5624	5.1	0.29	4849	5.1	0.31	4520	5.1	0.35	3951	5.1	0.38	3704	5.1	0.43	3268	5.1	0.48	2898	5.1	0.56	2463	5.1	0.54	2598	5.1	0.58	2383	5.1	0.69	2029	5.1	0.79	1749	5.1	0.85	1630	5.1	0.98	1425	5.1	1.0	1336	5.1	1.2	1179	5.1	1.3	1074	5.1	1.5	927	5.1	1.6	863	5.1	1.8	755	5.1	2.5	546	5.1	2.8	502	5.1	3.2	429	5.1	3.7	372	5.1	4.0	348	5.1	4.6	301	5.1	5.5	255	5.1	6.1	228	5.1															
	0.40	3516	4				0.44	3160	4	0.50	2763	4	0.58	2414	4	0.66	2110	4	0.76	1822	4	GR27R17 GRF27R17	0.12	300										0.10	13598										5.1													GR47R37 GRF47R37	0.12	0.88	1580	4	0.95	1464	4	1.1	1270	4	1.3	1100	4	1.4	972	4	1.7	840	4	1.9	741	4	2.1	654	4	2.5	566	4	2.8	499	4	3.2	440	4	3.6	381	4	4.2	329	4	4.8	290	4	5.4	256	4	6.1		227	4	6.8			203		4	7.8	179			4															GR27R17 GRF27R17	0.18			450			0.10	14369	6.7	GR57R37 GRF57R37	0.12	8.9	156	4			10	135	4			12	118	4			13	104	4	GR27R17 GRF27R17	0.25	0.11	12095	6.7	15	90	4	0.13	10860	6.7	7.8	179	4	8.9	156	4	10	135	4	12	118	4	13	104	4	15	90	4	0.15	9155	5.1	0.16	8534	5.1	0.19	7460	5.1	0.20	6993	5.1	0.23	6171	5.1	0.25	5624	5.1	0.29	4849	5.1	0.31	4520	5.1	0.35	3951	5.1	0.38	3704	5.1	0.43	3268	5.1	0.48	2898	5.1	0.56	2463	5.1	0.54	2598	5.1	0.58	2383	5.1	0.69	2029	5.1	0.79	1749	5.1	0.85	1630	5.1	0.98	1425	5.1	1.0	1336	5.1	1.2	1179			5.1	1.3	1074	5.1	1.5	927	5.1	1.6	863			5.1	1.8	755	5.1	2.5	546	5.1	2.8	502			5.1	3.2	429	5.1	3.7	372	5.1			4.0	348	5.1	4.6	301			5.1	5.5	255	5.1	6.1			228	5.1	0.16	8595	4.7	GR37R17 GRF37R17	0.12	0.16	8480	6.7	0.19	7411	4.7	0.20	6907	4.7	0.23	6038	4.7	0.27	5206	4.7	0.30	4651	4.7	0.34	4065	4.7	0.38	3658	4.7	0.44	3154	4.7	0.50	2757	4.7	0.58	2409	4.7	0.66	2106	4.7	0.76	1818	4.7	0.88	1576	4.7	1.0	1359	4.7	1.1	1267	4.7	1.3	1098	4.7	1.4	970	4.7	1.7	839	4.7	1.9	740	4.7	2.1	653	4.7	2.4	577	4.7	2.8	498	4.7	3.2	439	4.7	3.7	378	4.7	4.2	328	4.7	0.10	1074	5.1	1.5	927	5.1	1.6	863	5.1	1.8	755	5.1	2.5	546	5.1	2.8	502	5.1	3.2	429	5.1	3.7	372	5.1	4.0	348	5.1	4.6	301	5.1	5.5	255	5.1	6.1	228	5.1	0.10	13598	5.1	0.11	12472	5.1	0.13	10619	5.1	0.15	9155	5.1	0.16	8534	5.1	0.19	7460	5.1	0.20	6993	5.1	0.23	6171	5.1	0.25	5624	5.1	0.29	4849	5.1	0.31	4520	5.1	0.35	3951	5.1	0.38	3704	5.1	0.43	3268	5.1	0.48	2898	5.1	0.56	2463	5.1	0.54	2598	5.1	0.58	2383	5.1	0.69	2029	5.1	0.79	1749	5.1	0.85	1630	5.1	0.98	1425	5.1	1.0	1336	5.1	1.2	1179	5.1	1.3	1074	5.1	1.5	927	5.1	1.6	863	5.1	1.8	755	5.1	2.5	546	5.1	2.8	502	5.1	3.2	429	5.1	3.7	372	5.1	4.0	348	5.1	4.6	301	5.1	5.5	255	5.1	6.1	228	5.1	0.10	13598	5.1	0.11	12472	5.1	0.13	10619	5.1	0.15	9155	5.1	0.16	8534	5.1	0.19	7460	5.1	0.20	6993	5.1	0.23	6171	5.1	0.25	5624	5.1	0.29	4849	5.1	0.31	4520	5.1	0.35	3951	5.1	0.38	3704	5.1	0.43	3268	5.1	0.48	2898	5.1	0.56	2463	5.1	0.54	2598	5.1	0.58	2383	5.1	0.69	2029	5.1	0.79	1749	5.1	0.85	1630	5.1	0.98	1425	5.1	1.0	1336	5.1	1.2	1179	5.1	1.3	1074	5.1	1.5	927	5.1	1.6	863	5.1	1.8	755	5.1	2.5	546	5.1	2.8	502	5.1	3.2	429	5.1	3.7	372	5.1	4.0	348	5.1	4.6	301	5.1	5.5	255	5.1	6.1	228	5.1								
	0.44	3160	4				0.50	2763	4	0.58	2414	4	0.66	2110	4	0.76	1822	4	GR27R17 GRF27R17	0.12	300													0.10	13598										5.1															GR47R37 GRF47R37	0.12	0.88	1580	4	0.95	1464	4	1.1	1270	4	1.3	1100	4	1.4	972	4	1.7	840	4	1.9	741	4	2.1	654	4	2.5	566	4	2.8	499	4	3.2	440	4	3.6	381	4	4.2	329	4	4.8	290	4	5.4	256		4	6.1	227			4		6.8	203	4			7.8		179	4																			GR27R17 GRF27R17	0.18	450			0.10	14369	6.7	GR57R37 GRF57R37	0.12	8.9	156	4			10	135	4			12	118	4			13	104	4	GR27R17 GRF27R17	0.25	0.11	12095	6.7	15	90	4	0.13	10860	6.7	7.8	179	4	8.9	156	4	10	135	4	12	118	4	13	104	4	15	90	4	0.15	9155	5.1	0.16	8534	5.1	0.19	7460	5.1	0.20	6993	5.1	0.23	6171	5.1	0.25	5624	5.1	0.29	4849	5.1	0.31	4520	5.1	0.35	3951	5.1	0.38	3704	5.1	0.43	3268	5.1	0.48	2898	5.1	0.56	2463	5.1	0.54	2598	5.1	0.58	2383	5.1	0.69	2029	5.1	0.79	1749	5.1	0.85	1630	5.1	0.98	1425	5.1			1.0	1336	5.1	1.2	1179	5.1	1.3	1074	5.1			1.5	927	5.1	1.6	863	5.1	1.8	755	5.1			2.5	546	5.1	2.8	502	5.1	3.2			429	5.1	3.7	372	5.1			4.0	348	5.1	4.6	301			5.1	5.5	255	5.1	6.1			228	5.1	0.16	8595	4.7	GR37R17 GRF37R17	0.12	0.16	8480	6.7	0.19	7411	4.7	0.20	6907	4.7	0.23	6038	4.7	0.27	5206	4.7	0.30	4651	4.7	0.34	4065	4.7	0.38	3658	4.7	0.44	3154	4.7	0.50	2757	4.7	0.58	2409	4.7	0.66	2106	4.7	0.76	1818	4.7	0.88	1576	4.7	1.0	1359	4.7	1.1	1267	4.7	1.3	1098	4.7	1.4	970	4.7	1.7	839	4.7	1.9	740	4.7	2.1	653	4.7	2.4	577	4.7	2.8	498	4.7	3.2	439	4.7	3.7	378	4.7	4.2	328	4.7	0.10	1074	5.1	1.5	927	5.1	1.6	863	5.1	1.8	755	5.1	2.5	546	5.1	2.8	502	5.1	3.2	429	5.1	3.7	372	5.1	4.0	348	5.1	4.6	301	5.1	5.5	255	5.1	6.1	228	5.1	0.10	13598	5.1	0.11	12472	5.1	0.13	10619	5.1	0.15	9155	5.1	0.16	8534	5.1	0.19	7460	5.1	0.20	6993	5.1	0.23	6171	5.1	0.25	5624	5.1	0.29	4849	5.1	0.31	4520	5.1	0.35	3951	5.1	0.38	3704	5.1	0.43	3268	5.1	0.48	2898	5.1	0.56	2463	5.1	0.54	2598	5.1	0.58	2383	5.1	0.69	2029	5.1	0.79	1749	5.1	0.85	1630	5.1	0.98	1425	5.1	1.0	1336	5.1	1.2	1179	5.1	1.3	1074	5.1	1.5	927	5.1	1.6	863	5.1	1.8	755	5.1	2.5	546	5.1	2.8	502	5.1	3.2	429	5.1	3.7	372	5.1	4.0	348	5.1	4.6	301	5.1	5.5	255	5.1	6.1	228	5.1	0.10	13598	5.1	0.11	12472	5.1	0.13	10619	5.1	0.15	9155	5.1	0.16	8534	5.1	0.19	7460	5.1	0.20	6993	5.1	0.23	6171	5.1	0.25	5624	5.1	0.29	4849	5.1	0.31	4520	5.1	0.35	3951	5.1	0.38	3704	5.1	0.43	3268	5.1	0.48	2898	5.1	0.56	2463	5.1	0.54	2598	5.1	0.58	2383	5.1	0.69	2029	5.1	0.79	1749	5.1	0.85	1630	5.1	0.98	1425	5.1	1.0	1336	5.1	1.2	1179	5.1	1.3	1074	5.1	1.5	927	5.1	1.6	863	5.1	1.8	755	5.1	2.5	546	5.1	2.8	502	5.1	3.2	429	5.1	3.7	372	5.1	4.0	348	5.1	4.6	301	5.1	5.5	255	5.1	6.1	228	5.1	
	0.50	2763	4				0.58	2414	4	0.66	2110	4	0.76	1822	4	GR27R17 GRF27R17	0.12	300																0.10	13598										5.1																	GR47R37 GRF47R37	0.12	0.88	1580	4	0.95	1464	4	1.1	1270	4	1.3	1100	4	1.4	972	4	1.7	840	4	1.9	741	4	2.1	654	4	2.5	566	4	2.8	499	4	3.2	440	4	3.6	381	4	4.2	329	4	4.8	290	4		5.4	256	4			6.1		227	4	6.8			203		4	7.8		179	4																					GR27R17 GRF27R17	0.18	450			0.10	14369	6.7	GR57R37 GRF57R37	0.12	8.9	156	4			10	135	4			12	118	4			13	104	4	GR27R17 GRF27R17	0.25	0.11	12095	6.7	15	90	4	0.13	10860	6.7	7.8	179	4	8.9	156	4	10	135	4	12	118	4	13	104	4	15	90	4	0.15	9155	5.1	0.16	8534	5.1	0.19	7460	5.1	0.20	6993	5.1	0.23	6171	5.1	0.25	5624	5.1	0.29	4849	5.1	0.31	4520	5.1	0.35	3951	5.1	0.38	3704	5.1	0.43	3268	5.1	0.48	2898	5.1	0.56	2463	5.1	0.54	2598	5.1	0.58	2383	5.1	0.69	2029	5.1	0.79	1749	5.1	0.85			1630	5.1	0.98	1425	5.1	1.0	1336	5.1	1.2			1179	5.1	1.3	1074	5.1	1.5	927	5.1	1.6			863	5.1	1.8	755	5.1	2.5	546			5.1	2.8	502	5.1	3.2			429	5.1	3.7	372	5.1			4.0	348	5.1	4.6	301			5.1	5.5	255	5.1	6.1			228	5.1	0.16	8595	4.7	GR37R17 GRF37R17	0.12	0.16	8480	6.7	0.19	7411	4.7	0.20	6907	4.7	0.23	6038	4.7	0.27	5206	4.7	0.30	4651	4.7	0.34	4065	4.7	0.38	3658	4.7	0.44	3154	4.7	0.50	2757	4.7	0.58	2409	4.7	0.66	2106	4.7	0.76	1818	4.7	0.88	1576	4.7	1.0	1359	4.7	1.1	1267	4.7	1.3	1098	4.7	1.4	970	4.7	1.7	839	4.7	1.9	740	4.7	2.1	653	4.7	2.4	577	4.7	2.8	498	4.7	3.2	439	4.7	3.7	378	4.7	4.2	328	4.7	0.10	1074	5.1	1.5	927	5.1	1.6	863	5.1	1.8	755	5.1	2.5	546	5.1	2.8	502	5.1	3.2	429	5.1	3.7	372	5.1	4.0	348	5.1	4.6	301	5.1	5.5	255	5.1	6.1	228	5.1	0.10	13598	5.1	0.11	12472	5.1	0.13	10619	5.1	0.15	9155	5.1	0.16	8534	5.1	0.19	7460	5.1	0.20	6993	5.1	0.23	6171	5.1	0.25	5624	5.1	0.29	4849	5.1	0.31	4520	5.1	0.35	3951	5.1	0.38	3704	5.1	0.43	3268	5.1	0.48	2898	5.1	0.56	2463	5.1	0.54	2598	5.1	0.58	2383	5.1	0.69	2029	5.1	0.79	1749	5.1	0.85	1630	5.1	0.98	1425	5.1	1.0	1336	5.1	1.2	1179	5.1	1.3	1074	5.1	1.5	927	5.1	1.6	863	5.1	1.8	755	5.1	2.5	546	5.1	2.8	502	5.1	3.2	429	5.1	3.7	372	5.1	4.0	348	5.1	4.6	301	5.1	5.5	255	5.1	6.1	228	5.1	0.10	13598	5.1	0.11	12472	5.1	0.13	10619	5.1	0.15	9155	5.1	0.16	8534	5.1	0.19	7460	5.1	0.20	6993	5.1	0.23	6171	5.1	0.25	5624	5.1	0.29	4849	5.1	0.31	4520	5.1	0.35	3951	5.1	0.38	3704	5.1	0.43	3268	5.1	0.48	2898	5.1	0.56	2463	5.1	0.54	2598	5.1	0.58	2383	5.1	0.69	2029	5.1	0.79	1749	5.1	0.85	1630	5.1	0.98	1425	5.1	1.0	1336	5.1	1.2	1179	5.1	1.3	1074	5.1	1.5	927	5.1	1.6	863	5.1	1.8	755	5.1	2.5	546	5.1	2.8	502	5.1	3.2	429	5.1	3.7	372	5.1	4.0	348	5.1	4.6	301	5.1
	0.58	2414	4	0.66	2110		4	0.76	1822	4	GR27R17 GRF27R17	0.12	300	0.10	13598																			5.1	GR47R37 GRF47R37										0.12																			0.88	1580	4	0.95	1464	4	1.1	1270	4	1.3	1100	4	1.4	972	4	1.7	840	4	1.9	741	4	2.1	654	4	2.5	566	4	2.8	499	4	3.2	440	4	3.6	381	4	4.2	329	4	4.8	290	4		5.4	256	4			6.1		227	4	6.8			203		4	7.8		179	4				GR27R17 GRF27R17	0.18																					450	0.10	14369			6.7	GR57R37 GRF57R37	0.12	8.9	156	4	10	135			4	12	118			4	13	104			4	GR27R17 GRF27R17	0.25	0.11	12095	6.7	15	90	4	0.13	10860	6.7	7.8	179	4	8.9	156	4	10	135	4	12	118	4	13	104	4	15	90	4	0.15	9155	5.1	0.16	8534	5.1	0.19	7460	5.1	0.20	6993	5.1	0.23	6171	5.1	0.25	5624	5.1	0.29	4849	5.1	0.31	4520	5.1	0.35	3951	5.1	0.38	3704	5.1	0.43	3268	5.1	0.48	2898	5.1	0.56	2463	5.1	0.54	2598	5.1	0.58	2383	5.1	0.69	2029	5.1	0.79			1749	5.1	0.85	1630	5.1	0.98	1425	5.1	1.0			1336	5.1	1.2	1179	5.1	1.3	1074	5.1	1.5			927	5.1	1.6	863	5.1	1.8	755			5.1	2.5	546	5.1	2.8			502	5.1	3.2	429	5.1			3.7	372	5.1	4.0	348			5.1	4.6	301	5.1	5.5			255	5.1	6.1	228	5.1			0.16	8595	4.7	GR37R17 GRF37R17	0.12	0.16	8480	6.7	0.19	7411	4.7	0.20	6907	4.7	0.23	6038	4.7	0.27	5206	4.7	0.30	4651	4.7	0.34	4065	4.7	0.38	3658	4.7	0.44	3154	4.7	0.50	2757	4.7	0.58	2409	4.7	0.66	2106	4.7	0.76	1818	4.7	0.88	1576	4.7	1.0	1359	4.7	1.1	1267	4.7	1.3	1098	4.7	1.4	970	4.7	1.7	839	4.7	1.9	740	4.7	2.1	653	4.7	2.4	577	4.7	2.8	498	4.7	3.2	439	4.7	3.7	378	4.7	4.2	328	4.7	0.10	1074	5.1	1.5	927	5.1	1.6	863	5.1	1.8	755	5.1	2.5	546	5.1	2.8	502	5.1	3.2	429	5.1	3.7	372	5.1	4.0	348	5.1	4.6	301	5.1	5.5	255	5.1	6.1	228	5.1	0.10	13598	5.1	0.11	12472	5.1	0.13	10619	5.1	0.15	9155	5.1	0.16	8534	5.1	0.19	7460	5.1	0.20	6993	5.1	0.23	6171	5.1	0.25	5624	5.1	0.29	4849	5.1	0.31	4520	5.1	0.35	3951	5.1	0.38	3704	5.1	0.43	3268	5.1	0.48	2898	5.1	0.56	2463	5.1	0.54	2598	5.1	0.58	2383	5.1	0.69	2029	5.1	0.79	1749	5.1	0.85	1630	5.1	0.98	1425	5.1	1.0	1336	5.1	1.2	1179	5.1	1.3	1074	5.1	1.5	927	5.1	1.6	863	5.1	1.8	755	5.1	2.5	546	5.1	2.8	502	5.1	3.2	429	5.1	3.7	372	5.1	4.0	348	5.1	4.6	301	5.1	5.5	255	5.1	6.1	228	5.1	0.10	13598	5.1	0.11	12472	5.1	0.13	10619	5.1	0.15	9155	5.1	0.16	8534	5.1	0.19	7460	5.1	0.20	6993	5.1	0.23	6171	5.1	0.25	5624	5.1	0.29	4849	5.1	0.31	4520	5.1	0.35	3951	5.1	0.38	3704	5.1	0.43	3268	5.1	0.48	2898	5.1	0.56	2463	5.1	0.54	2598	5.1	0.58	2383	5.1	0.69	2029	5.1	0.79	1749	5.1	0.85	1630	5.1	0.98	1425	5.1	1.0	1336	5.1	1.2	1179	5.1	1.3	1074	5.1	1.5	927	5.1	1.6	863	5.1	1.8	755	5.1	2.5	546	5.1	2.8	502	5.1	3.2	429	5.1	3.7	372	5.1	4.0
	0.66	2110	4	0.76	1822		4	GR27R17 GRF27R17	0.12	300				0.10	13598																			5.1								GR47R37 GRF47R37	0.12					0.88	1580															4	0.95	1464	4	1.1	1270	4	1.3	1100	4	1.4	972	4	1.7	840	4	1.9	741	4	2.1	654	4	2.5	566	4	2.8	499	4	3.2	440	4	3.6	381	4	4.2	329	4	4.8	290	4	5.4	256		4	6.1	227	4	6.8	203		4	7.8	179			4		GR27R17 GRF27R17	0.18		450	0.10									14369	6.7																	GR57R37 GRF57R37	0.12			8.9			156	4	10	135	4	12	118	4	13	104			4	GR27R17 GRF27R17	0.25			0.11			12095	6.7	15	90	4	0.13	10860	6.7	7.8	179	4	8.9	156	4	10	135	4	12	118	4	13	104	4	15	90	4	0.15	9155	5.1	0.16	8534	5.1	0.19	7460	5.1	0.20	6993	5.1	0.23	6171	5.1	0.25	5624	5.1	0.29	4849	5.1	0.31	4520	5.1	0.35	3951	5.1	0.38	3704	5.1	0.43	3268	5.1	0.48	2898	5.1	0.56	2463	5.1	0.54	2598	5.1	0.58	2383	5.1	0.69	2029	5.1	0.79	1749	5.1	0.85	1630	5.1	0.98	1425	5.1	1.0	1336	5.1	1.2			1179	5.1	1.3	1074	5.1	1.5	927	5.1	1.6			863	5.1	1.8	755	5.1	2.5	546			5.1	2.8	502	5.1	3.2			429	5.1	3.7	372	5.1			4.0	348	5.1	4.6	301			5.1	5.5	255	5.1	6.1			228	5.1	0.16	8595	4.7			GR37R17 GRF37R17	0.12	0.16			8480	6.7	0.19	7411	4.7	0.20	6907	4.7	0.23	6038	4.7	0.27	5206	4.7	0.30	4651	4.7	0.34	4065	4.7	0.38	3658	4.7	0.44	3154	4.7	0.50	2757	4.7	0.58	2409	4.7	0.66	2106	4.7	0.76	1818	4.7	0.88	1576	4.7	1.0	1359	4.7	1.1	1267	4.7	1.3	1098	4.7	1.4	970	4.7	1.7	839	4.7	1.9	740	4.7	2.1	653	4.7	2.4	577	4.7	2.8	498	4.7	3.2	439	4.7	3.7	378	4.7	4.2	328	4.7	0.10	1074	5.1	1.5	927	5.1	1.6	863	5.1	1.8	755	5.1	2.5	546	5.1	2.8	502	5.1	3.2	429	5.1	3.7	372	5.1	4.0	348	5.1	4.6	301	5.1	5.5	255	5.1	6.1	228	5.1	0.10	13598	5.1	0.11	12472	5.1	0.13	10619	5.1	0.15	9155	5.1	0.16	8534	5.1	0.19	7460	5.1	0.20	6993	5.1	0.23	6171	5.1	0.25	5624	5.1	0.29	4849	5.1	0.31	4520	5.1	0.35	3951	5.1	0.38	3704	5.1	0.43	3268	5.1	0.48	2898	5.1	0.56	2463	5.1	0.54	2598	5.1	0.58	2383	5.1	0.69	2029	5.1	0.79	1749	5.1	0.85	1630	5.1	0.98	1425	5.1	1.0	1336	5.1	1.2	1179	5.1	1.3	1074	5.1	1.5	927	5.1	1.6	863	5.1	1.8	755	5.1	2.5	546	5.1	2.8	502	5.1	3.2	429	5.1	3.7	372	5.1	4.0	348	5.1	4.6	301	5.1	5.5	255	5.1	6.1	228	5.1	0.10	13598	5.1	0.11	12472	5.1	0.13	10619	5.1	0.15	9155	5.1	0.16	8534	5.1	0.19	7460	5.1	0.20	6993	5.1	0.23	6171	5.1	0.25	5624	5.1	0.29	4849	5.1	0.31	4520	5.1	0.35	3951	5.1	0.38	3704	5.1	0.43	3268	5.1	0.48	2898	5.1	0.56	2463	5.1	0.54	2598	5.1	0.58	2383	5.1	0.69	2029	5.1	0.79	1749	5.1	0.85	1630	5.1	0.98	1425	5.1	1.0	1336	5.1	1.2	1179	5.1	1.3	1074	5.1	1.5	927	5.1	1.6	863	5.1	1.8	755	5.1	2.5	546	5.1	2.8	502	5.1	3.2	429	5.1	3.7	372	5.1	4.0	348
	0.76	1822	4	GR27R17 GRF27R17	0.12		300							0.10	13598																			5.1					GR47R37 GRF47R37	0.12																																																																																																																																																																																																																																																																																																																																																																																																																																																																																																																																																																																																																														
	0.88	1580	4											0.95	1464																			4		1.1	1270											4	1.3	1100	4	1.4	972											4	1.7	840	4	1.9	741	4	2.1	654	4	2.5	566	4	2.8	499	4	3.2	440	4	3.6	381	4	4.2	329	4	4.8	290	4	5.4	256	4	6.1	227	4	6.8	203	4	7.8	179	4	GR27R17 GRF27R17	0.18		450	0.10	14369	6.7	GR57R37 GRF57R37	0.12		8.9	156	4	10	135	4						12	118	4							13	104						4	GR27R17 GRF27R17				0.25	0.11									12095			6.7	15	90	4	0.13	10860	6.7	7.8	179	4	8.9	156	4			10	135	4			12	118	4	13	104	4	15	90	4	0.15	9155	5.1	0.16	8534	5.1	0.19	7460	5.1	0.20	6993	5.1	0.23	6171	5.1	0.25	5624	5.1	0.29	4849	5.1	0.31	4520	5.1	0.35	3951	5.1	0.38	3704	5.1	0.43	3268	5.1	0.48	2898	5.1	0.56	2463	5.1	0.54	2598	5.1	0.58	2383	5.1	0.69	2029	5.1	0.79	1749	5.1	0.85	1630	5.1	0.98	1425	5.1	1.0	1336	5.1	1.2	1179	5.1	1.3	1074	5.1	1.5	927	5.1	1.6	863	5.1	1.8	755	5.1	2.5	546	5.1	2.8	502	5.1	3.2	429	5.1	3.7	372	5.1	4.0	348	5.1	4.6	301	5.1	5.5	255	5.1	6.1	228			5.1	0.16	8595	4.7	GR37R17 GRF37R17			0.12	0.16	8480	6.7	0.19			7411	4.7	0.20	6907	4.7			0.23	6038	4.7	0.27	5206			4.7	0.30	4651	4.7	0.34					4065			4.7	0.38	3658	4.7	0.44	3154	4.7	0.50	2757	4.7	0.58	2409	4.7	0.66	2106	4.7	0.76	1818	4.7	0.88	1576	4.7	1.0	1359	4.7	1.1	1267	4.7	1.3	1098	4.7	1.4	970	4.7	1.7	839	4.7	1.9	740	4.7	2.1	653	4.7	2.4	577	4.7	2.8	498	4.7	3.2	439	4.7	3.7	378	4.7	4.2	328	4.7	0.10	1074	5.1	1.5	927	5.1	1.6	863	5.1	1.8	755	5.1	2.5	546	5.1	2.8	502	5.1	3.2	429	5.1	3.7	372	5.1	4.0	348	5.1	4.6	301	5.1	5.5	255	5.1	6.1	228	5.1	0.10	13598	5.1	0.11	12472	5.1	0.13	10619	5.1	0.15	9155	5.1	0.16	8534	5.1	0.19	7460	5.1	0.20	6993	5.1	0.23	6171	5.1	0.25	5624	5.1	0.29	4849	5.1	0.31	4520	5.1	0.35	3951	5.1	0.38	3704	5.1	0.43	3268	5.1	0.48	2898	5.1	0.56	2463	5.1	0.54	2598	5.1	0.58	2383	5.1	0.69	2029	5.1	0.79	1749	5.1	0.85	1630	5.1	0.98	1425	5.1	1.0	1336	5.1	1.2	1179	5.1	1.3	1074	5.1	1.5	927	5.1	1.6	863	5.1	1.8	755	5.1	2.5	546	5.1	2.8	502	5.1	3.2	429	5.1	3.7	372	5.1	4.0	348	5.1	4.6	301	5.1	5.5	255	5.1	6.1	228	5.1	0.10	13598	5.1	0.11	12472	5.1	0.13	10619	5.1	0.15	9155	5.1	0.16	8534	5.1	0.19	7460	5.1	0.20	6993	5.1	0.23	6171	5.1	0.25	5624	5.1	0.29	4849	5.1	0.31	4520	5.1	0.35	3951	5.1	0.38	3704	5.1	0.43	3268	5.1	0.48	2898	5.1	0.56	2463	5.1	0.54	2598	5.1	0.58	2383	5.1	0.69	2029	5.1	0.79	1749	5.1	0.85	1630	5.1	0.98	1425	5.1	1.0	1336	5.1	1.2	1179	5.1	1.3	1074	5.1	1.5	927	5.1	1.6	863	5.1	1.8	755	5.1	2.5	546	5.1	2.8	502	5.1	3.2	429	5.1	3.7	372	5.1	4.0	348	5.1	4.6	301	5.1	5.5	255	5.1	6.1	228	5.1									
	0.95	1464	4											1.1	1270																4	1.3		1100		4	1.4									972	4	1.7	840	4	1.9	741	4											2.1	654	4	2.5	566	4	2.8	499	4	3.2	440	4	3.6	381	4	4.2	329	4	4.8	290	4	5.4	256	4	6.1	227	4	6.8	203	4	7.8	179	4	GR27R17 GRF27R17	0.18	450	0.10	14369	6.7	GR57R37 GRF57R37					0.12	8.9	156				4	10	135	4	12	118						4	13	104		4	GR27R17 GRF27R17	0.25	0.11		12095	6.7						15						90									4			0.13	10860	6.7	7.8	179	4	8.9	156	4	10	135	4	12			118	4	13	104	4	15	90	4	0.15	9155	5.1	0.16	8534	5.1	0.19	7460	5.1	0.20	6993	5.1	0.23	6171	5.1	0.25	5624	5.1	0.29	4849	5.1	0.31	4520	5.1	0.35	3951	5.1	0.38	3704	5.1	0.43	3268	5.1	0.48	2898	5.1	0.56	2463	5.1	0.54	2598	5.1	0.58	2383	5.1	0.69	2029	5.1	0.79	1749	5.1	0.85	1630	5.1	0.98	1425	5.1	1.0	1336	5.1	1.2	1179	5.1	1.3	1074	5.1	1.5	927	5.1	1.6	863	5.1	1.8	755	5.1	2.5	546	5.1	2.8	502	5.1	3.2	429	5.1	3.7	372	5.1	4.0	348	5.1	4.6	301	5.1	5.5	255	5.1	6.1	228	5.1	0.16	8595	4.7	GR37R17 GRF37R17	0.12	0.16	8480	6.7	0.19	7411	4.7					0.20	6907	4.7	0.23			6038	4.7	0.27	5206	4.7			0.30	4651	4.7	0.34	4065			4.7	0.38	3658	4.7	0.44					3154			4.7	0.50	2757	4.7	0.58	2409	4.7	0.66	2106	4.7	0.76	1818	4.7	0.88	1576	4.7	1.0	1359	4.7	1.1	1267	4.7	1.3	1098	4.7	1.4	970	4.7	1.7	839	4.7	1.9	740	4.7	2.1	653	4.7	2.4	577	4.7	2.8	498	4.7	3.2	439	4.7	3.7	378	4.7	4.2	328	4.7	0.10	1074	5.1	1.5	927	5.1	1.6	863	5.1	1.8	755	5.1	2.5	546	5.1	2.8	502	5.1	3.2	429	5.1	3.7	372	5.1	4.0	348	5.1	4.6	301	5.1	5.5	255	5.1	6.1	228	5.1	0.10	13598	5.1	0.11	12472	5.1	0.13	10619	5.1	0.15	9155	5.1	0.16	8534	5.1	0.19	7460	5.1	0.20	6993	5.1	0.23	6171	5.1	0.25	5624	5.1	0.29	4849	5.1	0.31	4520	5.1	0.35	3951	5.1	0.38	3704	5.1	0.43	3268	5.1	0.48	2898	5.1	0.56	2463	5.1	0.54	2598	5.1	0.58	2383	5.1	0.69	2029	5.1	0.79	1749	5.1	0.85	1630	5.1	0.98	1425	5.1	1.0	1336	5.1	1.2	1179	5.1	1.3	1074	5.1	1.5	927	5.1	1.6	863	5.1	1.8	755	5.1	2.5	546	5.1	2.8	502	5.1	3.2	429	5.1	3.7	372	5.1	4.0	348	5.1	4.6	301	5.1	5.5	255	5.1	6.1	228	5.1	0.10	13598	5.1	0.11	12472	5.1	0.13	10619	5.1	0.15	9155	5.1	0.16	8534	5.1	0.19	7460	5.1	0.20	6993	5.1	0.23	6171	5.1	0.25	5624	5.1	0.29	4849	5.1	0.31	4520	5.1	0.35	3951	5.1	0.38	3704	5.1	0.43	3268	5.1	0.48	2898	5.1	0.56	2463	5.1	0.54	2598	5.1	0.58	2383	5.1	0.69	2029	5.1	0.79	1749	5.1	0.85	1630	5.1	0.98	1425	5.1	1.0	1336	5.1	1.2	1179	5.1	1.3	1074	5.1	1.5	927	5.1	1.6	863	5.1	1.8	755	5.1	2.5	546	5.1	2.8	502	5.1	3.2	429	5.1	3.7	372	5.1	4.0	348	5.1	4.6	301	5.1	5.5	255	5.1	6.1	228	5.1															
	1.1	1270	4											1.3	1100													4	1.4		972	4		1.7		840	4									1.9	741	4	2.1	654	4	2.5	566	4	2.8									499	4	3.2	440	4	3.6	381	4	4.2	329	4	4.8	290	4	5.4	256	4	6.1	227	4	6.8	203	4	7.8	179	4	GR27R17 GRF27R17	0.18	450	0.10	14369	6.7	GR57R37 GRF57R37				0.12	8.9	156							4	10				135	4	12	118	4	13		104	4			GR27R17 GRF27R17	0.25	0.11		12095			6.7		15	90	4	0.13				10860						6.7									7.8			179	4	8.9	156	4	10	135	4	12	118	4	13	104	4	15	90	4	0.15	9155	5.1	0.16	8534	5.1	0.19	7460	5.1	0.20	6993	5.1	0.23	6171	5.1	0.25	5624	5.1	0.29	4849	5.1	0.31	4520	5.1	0.35	3951	5.1	0.38	3704	5.1	0.43	3268	5.1	0.48	2898	5.1	0.56	2463	5.1	0.54	2598	5.1	0.58	2383	5.1	0.69	2029	5.1	0.79	1749	5.1	0.85	1630	5.1	0.98	1425	5.1	1.0	1336	5.1	1.2	1179	5.1	1.3	1074	5.1	1.5	927	5.1	1.6	863	5.1	1.8	755	5.1	2.5	546	5.1	2.8	502	5.1	3.2	429	5.1	3.7	372	5.1	4.0	348	5.1	4.6	301	5.1	5.5	255	5.1	6.1	228	5.1	0.16	8595	4.7	GR37R17 GRF37R17	0.12	0.16	8480	6.7	0.19			7411	4.7	0.20	6907	4.7	0.23		6038	4.7		0.27	5206	4.7	0.30			4651	4.7	0.34	4065	4.7			0.38	3658	4.7	0.44	3154			4.7	0.50	2757	4.7	0.58					2409			4.7	0.66	2106	4.7	0.76	1818	4.7	0.88	1576	4.7	1.0	1359	4.7	1.1	1267	4.7	1.3	1098	4.7	1.4	970	4.7	1.7	839	4.7	1.9	740	4.7	2.1	653	4.7	2.4	577	4.7	2.8	498	4.7	3.2	439	4.7	3.7	378	4.7	4.2	328	4.7	0.10	1074	5.1	1.5	927	5.1	1.6	863	5.1	1.8	755	5.1	2.5	546	5.1	2.8	502	5.1	3.2	429	5.1	3.7	372	5.1	4.0	348	5.1	4.6	301	5.1	5.5	255	5.1	6.1	228	5.1	0.10	13598	5.1	0.11	12472	5.1	0.13	10619	5.1	0.15	9155	5.1	0.16	8534	5.1	0.19	7460	5.1	0.20	6993	5.1	0.23	6171	5.1	0.25	5624	5.1	0.29	4849	5.1	0.31	4520	5.1	0.35	3951	5.1	0.38	3704	5.1	0.43	3268	5.1	0.48	2898	5.1	0.56	2463	5.1	0.54	2598	5.1	0.58	2383	5.1	0.69	2029	5.1	0.79	1749	5.1	0.85	1630	5.1	0.98	1425	5.1	1.0	1336	5.1	1.2	1179	5.1	1.3	1074	5.1	1.5	927	5.1	1.6	863	5.1	1.8	755	5.1	2.5	546	5.1	2.8	502	5.1	3.2	429	5.1	3.7	372	5.1	4.0	348	5.1	4.6	301	5.1	5.5	255	5.1	6.1	228	5.1	0.10	13598	5.1	0.11	12472	5.1	0.13	10619	5.1	0.15	9155	5.1	0.16	8534	5.1	0.19	7460	5.1	0.20	6993	5.1	0.23	6171	5.1	0.25	5624	5.1	0.29	4849	5.1	0.31	4520	5.1	0.35	3951	5.1	0.38	3704	5.1	0.43	3268	5.1	0.48	2898	5.1	0.56	2463	5.1	0.54	2598	5.1	0.58	2383	5.1	0.69	2029	5.1	0.79	1749	5.1	0.85	1630	5.1	0.98	1425	5.1	1.0	1336	5.1	1.2	1179	5.1	1.3	1074	5.1	1.5	927	5.1	1.6	863	5.1	1.8	755	5.1	2.5	546	5.1	2.8	502	5.1	3.2	429	5.1	3.7	372	5.1	4.0	348	5.1	4.6	301	5.1	5.5	255	5.1	6.1	228	5.1																					
	1.3	1100	4											1.4	972										4	1.7		840	4		1.9	741		4		2.1	654									4	2.5	566	4	2.8	499	4	3.2	440	4	3.6	381							4	4.2	329	4	4.8	290	4	5.4	256	4	6.1	227	4	6.8	203	4	7.8	179	4	GR27R17 GRF27R17	0.18	450	0.10	14369	6.7	GR57R37 GRF57R37				0.12	8.9	156						4	10							135	4				12	118	4	13	104	4		GR27R17 GRF27R17	0.25					0.11		12095			6.7		15	90	4	0.13		10860	6.7	7.8						179									4			8.9	156	4	10	135	4	12	118	4	13	104	4	15	90	4	0.15	9155	5.1	0.16	8534	5.1	0.19	7460	5.1	0.20	6993	5.1	0.23	6171	5.1	0.25	5624	5.1	0.29	4849	5.1	0.31	4520	5.1	0.35	3951	5.1	0.38	3704	5.1	0.43	3268	5.1	0.48	2898	5.1	0.56	2463	5.1	0.54	2598	5.1	0.58	2383	5.1	0.69	2029	5.1	0.79	1749	5.1	0.85	1630	5.1	0.98	1425	5.1	1.0	1336	5.1	1.2	1179	5.1	1.3	1074	5.1	1.5	927	5.1	1.6	863	5.1	1.8	755	5.1	2.5	546	5.1	2.8	502	5.1	3.2	429	5.1	3.7	372	5.1	4.0	348	5.1	4.6	301	5.1	5.5	255	5.1	6.1	228	5.1	0.16	8595	4.7	GR37R17 GRF37R17	0.12			0.16	8480	6.7	0.19			7411	4.7	0.20	6907	4.7	0.23		6038	4.7		0.27	5206	4.7	0.30	4651	4.7	0.34	4065	4.7	0.38	3658			4.7	0.44	3154	4.7	0.50			2757	4.7	0.58	2409	4.7					0.66			2106	4.7	0.76	1818	4.7	0.88	1576	4.7	1.0	1359	4.7	1.1	1267	4.7	1.3	1098	4.7	1.4	970	4.7	1.7	839	4.7	1.9	740	4.7	2.1	653	4.7	2.4	577	4.7	2.8	498	4.7	3.2	439	4.7	3.7	378	4.7	4.2	328	4.7	0.10	1074	5.1	1.5	927	5.1	1.6	863	5.1	1.8	755	5.1	2.5	546	5.1	2.8	502	5.1	3.2	429	5.1	3.7	372	5.1	4.0	348	5.1	4.6	301	5.1	5.5	255	5.1	6.1	228	5.1	0.10	13598	5.1	0.11	12472	5.1	0.13	10619	5.1	0.15	9155	5.1	0.16	8534	5.1	0.19	7460	5.1	0.20	6993	5.1	0.23	6171	5.1	0.25	5624	5.1	0.29	4849	5.1	0.31	4520	5.1	0.35	3951	5.1	0.38	3704	5.1	0.43	3268	5.1	0.48	2898	5.1	0.56	2463	5.1	0.54	2598	5.1	0.58	2383	5.1	0.69	2029	5.1	0.79	1749	5.1	0.85	1630	5.1	0.98	1425	5.1	1.0	1336	5.1	1.2	1179	5.1	1.3	1074	5.1	1.5	927	5.1	1.6	863	5.1	1.8	755	5.1	2.5	546	5.1	2.8	502	5.1	3.2	429	5.1	3.7	372	5.1	4.0	348	5.1	4.6	301	5.1	5.5	255	5.1	6.1	228	5.1	0.10	13598	5.1	0.11	12472	5.1	0.13	10619	5.1	0.15	9155	5.1	0.16	8534	5.1	0.19	7460	5.1	0.20	6993	5.1	0.23	6171	5.1	0.25	5624	5.1	0.29	4849	5.1	0.31	4520	5.1	0.35	3951	5.1	0.38	3704	5.1	0.43	3268	5.1	0.48	2898	5.1	0.56	2463	5.1	0.54	2598	5.1	0.58	2383	5.1	0.69	2029	5.1	0.79	1749	5.1	0.85	1630	5.1	0.98	1425	5.1	1.0	1336	5.1	1.2	1179	5.1	1.3	1074	5.1	1.5	927	5.1	1.6	863	5.1	1.8	755	5.1	2.5	546	5.1	2.8	502	5.1	3.2	429	5.1	3.7	372	5.1	4.0	348	5.1	4.6	301	5.1	5.5	255	5.1	6.1	228	5.1																							
	1.4	972	4											1.7	840							4	1.9		741	4		2.1	654		4	2.5		566		4	2.8									499	4	3.2	440	4	3.6	381	4	4.2	329	4	4.8	290	4					5.4	256	4	6.1	227	4	6.8	203	4	7.8	179	4	GR27R17 GRF27R17	0.18	450	0.10	14369	6.7	GR57R37 GRF57R37				0.12	8.9	156						4	10						135	4		12	118				4	13				104	4	GR27R17 GRF27R17	0.25	0.11	12095								6.7		15			90		4	0.13	10860	6.7		7.8	179	4	8.9		156	4	10	135									4			12	118	4	13	104	4	15	90	4	0.15	9155	5.1	0.16	8534	5.1	0.19	7460	5.1	0.20	6993	5.1	0.23	6171	5.1	0.25	5624	5.1	0.29	4849	5.1	0.31	4520	5.1	0.35	3951	5.1	0.38	3704	5.1	0.43	3268	5.1	0.48	2898	5.1	0.56	2463	5.1	0.54	2598	5.1	0.58	2383	5.1	0.69	2029	5.1	0.79	1749	5.1	0.85	1630	5.1	0.98	1425	5.1	1.0	1336	5.1	1.2	1179	5.1	1.3	1074	5.1	1.5	927	5.1	1.6	863	5.1	1.8	755	5.1	2.5	546	5.1	2.8	502	5.1	3.2	429	5.1	3.7	372	5.1	4.0	348	5.1	4.6	301	5.1	5.5	255	5.1	6.1	228	5.1	0.16	8595	4.7	GR37R17 GRF37R17	0.12	0.16	8480	6.7	0.19					7411	4.7	0.20	6907			4.7	0.23	6038	4.7	0.27	5206		4.7	0.30		4651	4.7	0.34	4065	4.7	0.38	3658	4.7	0.44	3154	4.7	0.50	2757	4.7	0.58	2409	4.7	0.66			2106	4.7	0.76	1818	4.7					0.88			1576	4.7	1.0	1359	4.7	1.1	1267	4.7	1.3	1098	4.7	1.4	970	4.7	1.7	839	4.7	1.9	740	4.7	2.1	653	4.7	2.4	577	4.7	2.8	498	4.7	3.2	439	4.7	3.7	378	4.7	4.2	328	4.7	0.10	1074	5.1	1.5	927	5.1	1.6	863	5.1	1.8	755	5.1	2.5	546	5.1	2.8	502	5.1	3.2	429	5.1	3.7	372	5.1	4.0	348	5.1	4.6	301	5.1	5.5	255	5.1	6.1	228	5.1	0.10	13598	5.1	0.11	12472	5.1	0.13	10619	5.1	0.15	9155	5.1	0.16	8534	5.1	0.19	7460	5.1	0.20	6993	5.1	0.23	6171	5.1	0.25	5624	5.1	0.29	4849	5.1	0.31	4520	5.1	0.35	3951	5.1	0.38	3704	5.1	0.43	3268	5.1	0.48	2898	5.1	0.56	2463	5.1	0.54	2598	5.1	0.58	2383	5.1	0.69	2029	5.1	0.79	1749	5.1	0.85	1630	5.1	0.98	1425	5.1	1.0	1336	5.1	1.2	1179	5.1	1.3	1074	5.1	1.5	927	5.1	1.6	863	5.1	1.8	755	5.1	2.5	546	5.1	2.8	502	5.1	3.2	429	5.1	3.7	372	5.1	4.0	348	5.1	4.6	301	5.1	5.5	255	5.1	6.1	228	5.1	0.10	13598	5.1	0.11	12472	5.1	0.13	10619	5.1	0.15	9155	5.1	0.16	8534	5.1	0.19	7460	5.1	0.20	6993	5.1	0.23	6171	5.1	0.25	5624	5.1	0.29	4849	5.1	0.31	4520	5.1	0.35	3951	5.1	0.38	3704	5.1	0.43	3268	5.1	0.48	2898	5.1	0.56	2463	5.1	0.54	2598	5.1	0.58	2383	5.1	0.69	2029	5.1	0.79	1749	5.1	0.85	1630	5.1	0.98	1425	5.1	1.0	1336	5.1	1.2	1179	5.1	1.3	1074	5.1	1.5	927	5.1	1.6	863	5.1	1.8	755	5.1	2.5	546	5.1	2.8	502	5.1	3.2	429	5.1	3.7	372	5.1	4.0	348	5.1	4.6	301	5.1	5.5	255	5.1	6.1	228	5.1																													
	1.7	840	4											1.9	741				4	2.1		654	4		2.5	566		4	2.8		499	4		3.2		440	4									3.6	381	4	4.2	329	4	4.8	290	4	5.4	256	4	6.1	227	4	6.8			203	4	7.8	179	4	GR27R17 GRF27R17	0.18	450	0.10	14369	6.7	GR57R37 GRF57R37				0.12	8.9	156						4	10						135	4		12	118			4	13		104	4				GR27R17 GRF27R17	0.25				0.11	12095			6.7	15								90		4	0.13	10860	6.7		7.8	179	4	8.9		156	4	10	135		4	12	118	4		13	104						4			15	90	4	0.15	9155	5.1	0.16	8534	5.1	0.19	7460	5.1	0.20	6993	5.1	0.23	6171	5.1	0.25	5624	5.1	0.29	4849	5.1	0.31	4520	5.1	0.35	3951	5.1	0.38	3704	5.1	0.43	3268	5.1	0.48	2898	5.1	0.56	2463	5.1	0.54	2598	5.1	0.58	2383	5.1	0.69	2029	5.1	0.79	1749	5.1	0.85	1630	5.1	0.98	1425	5.1	1.0	1336	5.1	1.2	1179	5.1	1.3	1074	5.1	1.5	927	5.1	1.6	863	5.1	1.8	755	5.1	2.5	546	5.1	2.8	502	5.1	3.2	429	5.1	3.7	372	5.1	4.0	348	5.1	4.6	301	5.1	5.5	255	5.1	6.1	228	5.1	0.16	8595	4.7	GR37R17 GRF37R17	0.12	0.16	8480	6.7	0.19			7411	4.7	0.20	6907					4.7	0.23	6038	4.7			0.27	5206	4.7	0.30	4651	4.7		0.34	4065		4.7	0.38	3658	4.7	0.44	3154	4.7	0.50	2757	4.7	0.58	2409	4.7	0.66	2106	4.7	0.76	1818	4.7	0.88	1576	4.7	1.0	1359	4.7					1.1			1267	4.7	1.3	1098	4.7	1.4	970	4.7	1.7	839	4.7	1.9	740	4.7	2.1	653	4.7	2.4	577	4.7	2.8	498	4.7	3.2	439	4.7	3.7	378	4.7	4.2	328	4.7	0.10	1074	5.1	1.5	927	5.1	1.6	863	5.1	1.8	755	5.1	2.5	546	5.1	2.8	502	5.1	3.2	429	5.1	3.7	372	5.1	4.0	348	5.1	4.6	301	5.1	5.5	255	5.1	6.1	228	5.1	0.10	13598	5.1	0.11	12472	5.1	0.13	10619	5.1	0.15	9155	5.1	0.16	8534	5.1	0.19	7460	5.1	0.20	6993	5.1	0.23	6171	5.1	0.25	5624	5.1	0.29	4849	5.1	0.31	4520	5.1	0.35	3951	5.1	0.38	3704	5.1	0.43	3268	5.1	0.48	2898	5.1	0.56	2463	5.1	0.54	2598	5.1	0.58	2383	5.1	0.69	2029	5.1	0.79	1749	5.1	0.85	1630	5.1	0.98	1425	5.1	1.0	1336	5.1	1.2	1179	5.1	1.3	1074	5.1	1.5	927	5.1	1.6	863	5.1	1.8	755	5.1	2.5	546	5.1	2.8	502	5.1	3.2	429	5.1	3.7	372	5.1	4.0	348	5.1	4.6	301	5.1	5.5	255	5.1	6.1	228	5.1	0.10	13598	5.1	0.11	12472	5.1	0.13	10619	5.1	0.15	9155	5.1	0.16	8534	5.1	0.19	7460	5.1	0.20	6993	5.1	0.23	6171	5.1	0.25	5624	5.1	0.29	4849	5.1	0.31	4520	5.1	0.35	3951	5.1	0.38	3704	5.1	0.43	3268	5.1	0.48	2898	5.1	0.56	2463	5.1	0.54	2598	5.1	0.58	2383	5.1	0.69	2029	5.1	0.79	1749	5.1	0.85	1630	5.1	0.98	1425	5.1	1.0	1336	5.1	1.2	1179	5.1	1.3	1074	5.1	1.5	927	5.1	1.6	863	5.1	1.8	755	5.1	2.5	546	5.1	2.8	502	5.1	3.2	429	5.1	3.7	372	5.1	4.0	348	5.1	4.6	301	5.1	5.5	255	5.1	6.1	228	5.1																																			
	1.9	741	4											2.1	654	4	2.5		566	4		2.8	499		4	3.2		440	4		3.6	381		4		4.2	329									4	4.8	290	4	5.4	256	4	6.1	227	4	6.8	203	4	7.8	179	4	GR27R17 GRF27R17	0.18	450	0.10	14369	6.7	GR57R37 GRF57R37				0.12	8.9	156						4	10						135	4		12	118			4	13		104	4			GR27R17 GRF27R17	0.25		0.11	12095									6.7	15			90	4						0.13	10860	6.7		7.8	179	4	8.9		156	4	10	135		4	12	118	4		13	104	4	15		90	4				0.15	9155	5.1			0.16	8534	5.1	0.19	7460	5.1	0.20	6993	5.1	0.23	6171	5.1	0.25	5624	5.1	0.29	4849	5.1	0.31	4520	5.1	0.35	3951	5.1	0.38	3704	5.1	0.43	3268	5.1	0.48	2898	5.1	0.56	2463	5.1	0.54	2598	5.1	0.58	2383	5.1	0.69	2029	5.1	0.79	1749	5.1	0.85	1630	5.1	0.98	1425	5.1	1.0	1336	5.1	1.2	1179	5.1	1.3	1074	5.1	1.5	927	5.1	1.6	863	5.1	1.8	755	5.1	2.5	546	5.1	2.8	502	5.1	3.2	429	5.1	3.7	372	5.1	4.0	348	5.1	4.6	301	5.1	5.5	255	5.1	6.1	228	5.1	0.16	8595	4.7	GR37R17 GRF37R17	0.12	0.16	8480	6.7	0.19			7411	4.7	0.20	6907			4.7	0.23	6038	4.7					0.27	5206	4.7	0.30			4651	4.7	0.34	4065	4.7	0.38		3658	4.7		0.44	3154	4.7	0.50	2757	4.7	0.58	2409	4.7	0.66	2106	4.7	0.76	1818	4.7	0.88	1576	4.7	1.0	1359	4.7	1.1	1267	4.7	1.3	1098	4.7			1.4			970	4.7	1.7	839	4.7	1.9	740	4.7	2.1	653	4.7	2.4	577	4.7	2.8	498	4.7	3.2	439	4.7	3.7	378	4.7	4.2	328	4.7	0.10	1074	5.1	1.5	927	5.1	1.6	863	5.1	1.8	755	5.1	2.5	546	5.1	2.8	502	5.1	3.2	429	5.1	3.7	372	5.1	4.0	348	5.1	4.6	301	5.1	5.5	255	5.1	6.1	228	5.1	0.10	13598	5.1	0.11	12472	5.1	0.13	10619	5.1	0.15	9155	5.1	0.16	8534	5.1	0.19	7460	5.1	0.20	6993	5.1	0.23	6171	5.1	0.25	5624	5.1	0.29	4849	5.1	0.31	4520	5.1	0.35	3951	5.1	0.38	3704	5.1	0.43	3268	5.1	0.48	2898	5.1	0.56	2463	5.1	0.54	2598	5.1	0.58	2383	5.1	0.69	2029	5.1	0.79	1749	5.1	0.85	1630	5.1	0.98	1425	5.1	1.0	1336	5.1	1.2	1179	5.1	1.3	1074	5.1	1.5	927	5.1	1.6	863	5.1	1.8	755	5.1	2.5	546	5.1	2.8	502	5.1	3.2	429	5.1	3.7	372	5.1	4.0	348	5.1	4.6	301	5.1	5.5	255	5.1	6.1	228	5.1	0.10	13598	5.1	0.11	12472	5.1	0.13	10619	5.1	0.15	9155	5.1	0.16	8534	5.1	0.19	7460	5.1	0.20	6993	5.1	0.23	6171	5.1	0.25	5624	5.1	0.29	4849	5.1	0.31	4520	5.1	0.35	3951	5.1	0.38	3704	5.1	0.43	3268	5.1	0.48	2898	5.1	0.56	2463	5.1	0.54	2598	5.1	0.58	2383	5.1	0.69	2029	5.1	0.79	1749	5.1	0.85	1630	5.1	0.98	1425	5.1	1.0	1336	5.1	1.2	1179	5.1	1.3	1074	5.1	1.5	927	5.1	1.6	863	5.1	1.8	755	5.1	2.5	546	5.1	2.8	502	5.1	3.2	429	5.1	3.7	372	5.1	4.0	348	5.1	4.6	301	5.1	5.5	255	5.1	6.1	228	5.1																																									
2.1	654	4	2.5			566					4	2.8		499	4	3.2	440		4	3.6		381	4		4.2	329		4	4.8		290	4		5.4	256	4	6.1								227	4	6.8	203	4	7.8	179	4	GR27R17 GRF27R17	0.18	450	0.10	14369	6.7	GR57R37 GRF57R37	0.12	8.9				156	4	10						135	4						12	118		4	13			104	4		GR27R17 GRF27R17	0.25			0.11	12095		6.7	15						90	4									0.13	10860			6.7	7.8		179	4			8.9	156	4		10	135	4	12		118	4	13	104		4	15	90	4		0.15	9155	5.1	0.16		8534	5.1				0.19	7460	5.1	0.20	6993	5.1	0.23	6171	5.1	0.25	5624	5.1	0.29	4849	5.1	0.31	4520	5.1	0.35	3951	5.1	0.38	3704	5.1	0.43	3268	5.1	0.48	2898	5.1	0.56	2463	5.1	0.54	2598	5.1	0.58	2383	5.1	0.69	2029	5.1	0.79	1749	5.1	0.85	1630	5.1	0.98	1425	5.1	1.0	1336	5.1	1.2	1179	5.1	1.3	1074	5.1	1.5	927	5.1	1.6	863	5.1	1.8	755	5.1	2.5	546	5.1	2.8	502	5.1	3.2	429	5.1	3.7	372	5.1	4.0	348	5.1	4.6	301	5.1	5.5	255	5.1	6.1	228	5.1	0.16	8595	4.7	GR37R17 GRF37R17	0.12	0.16	8480	6.7	0.19	7411	4.7			0.20	6907	4.7	0.23			6038	4.7	0.27	5206			4.7	0.30	4651	4.7					0.34	4065	4.7	0.38			3658	4.7	0.44	3154	4.7	0.50		2757	4.7		0.58	2409	4.7	0.66	2106	4.7	0.76	1818	4.7	0.88	1576	4.7	1.0	1359	4.7	1.1	1267	4.7	1.3	1098	4.7	1.4	970	4.7	1.7	839	4.7			1.9	740	4.7	2.1	653	4.7	2.4	577	4.7	2.8	498	4.7	3.2	439	4.7	3.7	378	4.7	4.2	328	4.7	0.10	1074	5.1	1.5	927	5.1	1.6	863	5.1	1.8	755	5.1	2.5	546	5.1	2.8	502	5.1	3.2	429	5.1	3.7	372	5.1	4.0	348	5.1	4.6	301	5.1	5.5	255	5.1	6.1	228	5.1	0.10	13598	5.1	0.11	12472	5.1	0.13	10619	5.1	0.15	9155	5.1	0.16	8534	5.1	0.19	7460	5.1	0.20	6993	5.1	0.23	6171	5.1	0.25	5624	5.1	0.29	4849	5.1	0.31	4520	5.1	0.35	3951	5.1	0.38	3704	5.1	0.43	3268	5.1	0.48	2898	5.1	0.56	2463	5.1	0.54	2598	5.1	0.58	2383	5.1	0.69	2029	5.1	0.79	1749	5.1	0.85	1630	5.1	0.98	1425	5.1	1.0	1336	5.1	1.2	1179	5.1	1.3	1074	5.1	1.5	927	5.1	1.6	863	5.1	1.8	755	5.1	2.5	546	5.1	2.8	502	5.1	3.2	429	5.1	3.7	372	5.1	4.0	348	5.1	4.6	301	5.1	5.5	255	5.1	6.1	228	5.1	0.10	13598	5.1	0.11	12472	5.1	0.13	10619	5.1	0.15	9155	5.1	0.16	8534	5.1	0.19	7460	5.1	0.20	6993	5.1	0.23	6171	5.1	0.25	5624	5.1	0.29	4849	5.1	0.31	4520	5.1	0.35	3951	5.1	0.38	3704	5.1	0.43	3268	5.1	0.48	2898	5.1	0.56	2463	5.1	0.54	2598	5.1	0.58	2383	5.1	0.69	2029	5.1	0.79	1749	5.1	0.85	1630	5.1	0.98	1425	5.1	1.0	1336	5.1	1.2	1179	5.1	1.3	1074	5.1	1.5	927	5.1	1.6	863	5.1	1.8	755	5.1	2.5	546	5.1	2.8	502	5.1	3.2	429	5.1	3.7	372	5.1	4.0	348	5.1	4.6	301	5.1	5.5	255	5.1	6.1	228	5.1																																																	
2.5	566	4	2.8			499		4	3.2		440	4		3.6	381	4	4.2		329	4		4.8	290		4	5.4		256	4		6.1	227		4	6.8	203	4					7.8	179	4	GR27R17 GRF27R17	0.18	450	0.10	14369	6.7	GR57R37 GRF57R37	0.12				8.9	156	4			10				135	4	12						118	4		13	104			4	GR27R17 GRF27R17		0.25	0.11			12095	6.7						15	90		4	0.13						10860	6.7	7.8								179	4	8.9	156	4	10		135	4			12	118	4		13	104	4	15		90	4	0.15	9155		5.1	0.16	8534	5.1		0.19	7460	5.1	0.20		6993	5.1		0.23	6171	5.1	0.25	5624	5.1	0.29	4849	5.1	0.31	4520	5.1	0.35	3951	5.1	0.38	3704	5.1	0.43	3268	5.1	0.48	2898	5.1	0.56	2463	5.1	0.54	2598	5.1	0.58	2383	5.1	0.69	2029	5.1	0.79	1749	5.1	0.85	1630	5.1	0.98	1425	5.1	1.0	1336	5.1	1.2	1179	5.1	1.3	1074	5.1	1.5	927	5.1	1.6	863	5.1	1.8	755	5.1	2.5	546	5.1	2.8	502	5.1	3.2	429	5.1	3.7	372	5.1	4.0	348	5.1	4.6	301	5.1	5.5	255	5.1	6.1	228	5.1	0.16	8595	4.7	GR37R17 GRF37R17	0.12	0.16	8480	6.7	0.19	7411	4.7			0.20	6907	4.7	0.23	6038	4.7			0.27	5206	4.7	0.30			4651	4.7	0.34	4065			4.7	0.38	3658	4.7					0.44	3154	4.7	0.50			2757	4.7	0.58	2409	4.7	0.66		2106	4.7		0.76	1818	4.7	0.88	1576	4.7	1.0	1359	4.7	1.1	1267	4.7	1.3	1098	4.7	1.4	970	4.7	1.7	839	4.7	1.9	740	4.7	2.1	653	4.7	2.4	577	4.7	2.8	498	4.7	3.2	439	4.7	3.7	378	4.7	4.2	328	4.7	0.10	1074	5.1	1.5	927	5.1	1.6	863	5.1	1.8	755	5.1	2.5	546	5.1	2.8	502	5.1	3.2	429	5.1	3.7	372	5.1	4.0	348	5.1	4.6	301	5.1	5.5	255	5.1	6.1	228	5.1	0.10	13598	5.1	0.11	12472	5.1	0.13	10619	5.1	0.15	9155	5.1	0.16	8534	5.1	0.19	7460	5.1	0.20	6993	5.1	0.23	6171	5.1	0.25	5624	5.1	0.29	4849	5.1	0.31	4520	5.1	0.35	3951	5.1	0.38	3704	5.1	0.43	3268	5.1	0.48	2898	5.1	0.56	2463	5.1	0.54	2598	5.1	0.58	2383	5.1	0.69	2029	5.1	0.79	1749	5.1	0.85	1630	5.1	0.98	1425	5.1	1.0	1336	5.1	1.2	1179	5.1	1.3	1074	5.1	1.5	927	5.1	1.6	863	5.1	1.8	755	5.1	2.5	546	5.1	2.8	502	5.1	3.2	429	5.1	3.7	372	5.1	4.0	348	5.1	4.6	301	5.1	5.5	255	5.1	6.1	228	5.1	0.10	13598	5.1	0.11	12472	5.1	0.13	10619	5.1	0.15	9155	5.1	0.16	8534	5.1	0.19	7460	5.1	0.20	6993	5.1	0.23	6171	5.1	0.25	5624	5.1	0.29	4849	5.1	0.31	4520	5.1	0.35	3951	5.1	0.38	3704	5.1	0.43	3268	5.1	0.48	2898	5.1	0.56	2463	5.1	0.54	2598	5.1	0.58	2383	5.1	0.69	2029	5.1	0.79	1749	5.1	0.85	1630	5.1	0.98	1425	5.1	1.0	1336	5.1	1.2	1179	5.1	1.3	1074	5.1	1.5	927	5.1	1.6	863	5.1	1.8	755	5.1	2.5	546	5.1	2.8	502	5.1	3.2	429	5.1	3.7	372	5.1	4.0	348	5.1	4.6	301	5.1	5.5	255	5.1	6.1	228	5.1																																																									
2.8	499	4	3.2	440	4	3.6		381	4		4.2	329		4	4.8	290	4		5.4	256		4	6.1		227	4		6.8	203		4	7.8		179	4	GR27R17 GRF27R17	0.18		450	0.10	14369	6.7	GR57R37 GRF57R37	0.12				8.9	156	4						10	135	4			12				118	4	13		104	4			GR27R17 GRF27R17	0.25		0.11	12095			6.7				15			90	4						0.13	10860		6.7	7.8						179	4	8.9			156	4			10	135	4	12	118	4	13		104	4			15	90	4		0.15	9155	5.1	0.16		8534	5.1	0.19	7460		5.1	0.20	6993	5.1		0.23	6171	5.1	0.25		5624	5.1		0.29	4849	5.1	0.31	4520	5.1	0.35	3951	5.1	0.38	3704	5.1	0.43	3268	5.1	0.48	2898	5.1	0.56	2463	5.1	0.54	2598	5.1	0.58	2383	5.1	0.69	2029	5.1	0.79	1749	5.1	0.85	1630	5.1	0.98	1425	5.1	1.0	1336	5.1	1.2	1179	5.1	1.3	1074	5.1	1.5	927	5.1	1.6	863	5.1	1.8	755	5.1	2.5	546	5.1	2.8	502	5.1	3.2	429	5.1	3.7	372	5.1	4.0	348	5.1	4.6	301	5.1	5.5	255	5.1	6.1	228	5.1	0.16	8595	4.7	GR37R17 GRF37R17	0.12	0.16	8480	6.7	0.19			7411	4.7	0.20	6907	4.7	0.23			6038	4.7	0.27	5206	4.7	0.30			4651	4.7	0.34	4065			4.7	0.38	3658	4.7			0.44	3154	4.7	0.50					2757	4.7	0.58	2409			4.7	0.66	2106	4.7	0.76	1818		4.7	0.88		1576	4.7	1.0	1359	4.7	1.1	1267	4.7	1.3	1098	4.7	1.4	970	4.7	1.7	839	4.7	1.9	740	4.7	2.1	653	4.7	2.4	577	4.7	2.8	498	4.7	3.2	439	4.7	3.7	378	4.7	4.2	328	4.7	0.10	1074	5.1	1.5	927	5.1	1.6	863	5.1	1.8	755	5.1	2.5	546	5.1	2.8	502	5.1	3.2	429	5.1	3.7	372	5.1	4.0	348	5.1	4.6	301	5.1	5.5	255	5.1	6.1	228	5.1	0.10	13598	5.1	0.11	12472	5.1	0.13	10619	5.1	0.15	9155	5.1	0.16	8534	5.1	0.19	7460	5.1	0.20	6993	5.1	0.23	6171	5.1	0.25	5624	5.1	0.29	4849	5.1	0.31	4520	5.1	0.35	3951	5.1	0.38	3704	5.1	0.43	3268	5.1	0.48	2898	5.1	0.56	2463	5.1	0.54	2598	5.1	0.58	2383	5.1	0.69	2029	5.1	0.79	1749	5.1	0.85	1630	5.1	0.98	1425	5.1	1.0	1336	5.1	1.2	1179	5.1	1.3	1074	5.1	1.5	927	5.1	1.6	863	5.1	1.8	755	5.1	2.5	546	5.1	2.8	502	5.1	3.2	429	5.1	3.7	372	5.1	4.0	348	5.1	4.6	301	5.1	5.5	255	5.1	6.1	228	5.1	0.10	13598	5.1	0.11	12472	5.1	0.13	10619	5.1	0.15	9155	5.1	0.16	8534	5.1	0.19	7460	5.1	0.20	6993	5.1	0.23	6171	5.1	0.25	5624	5.1	0.29	4849	5.1	0.31	4520	5.1	0.35	3951	5.1	0.38	3704	5.1	0.43	3268	5.1	0.48	2898	5.1	0.56	2463	5.1	0.54	2598	5.1	0.58	2383	5.1	0.69	2029	5.1	0.79	1749	5.1	0.85	1630	5.1	0.98	1425	5.1	1.0	1336	5.1	1.2	1179	5.1	1.3	1074	5.1	1.5	927	5.1	1.6	863	5.1	1.8	755	5.1	2.5	546	5.1	2.8	502	5.1	3.2	429	5.1	3.7	372	5.1	4.0	348	5.1	4.6	301	5.1	5.5	255	5.1	6.1	228	5.1																																																													
3.2	440	4	3.6	381	4	4.2		329	4		4.8	290		4	5.4	256	4		6.1	227		4	6.8		203	4		7.8	179		4	GR27R17 GRF27R17		0.18	450			0.10		14369	6.7	GR57R37 GRF57R37						0.12	8.9	156						4	10	135			4	12	118		4	13	104		4	GR27R17 GRF27R17						0.25	0.11			12095				6.7			15	90						4	0.13		10860	6.7			7.8	179		4	8.9	156			4	10	135	4	12	118	4	13	104	4	15	90	4	0.15			9155	5.1	0.16		8534	5.1	0.19	7460		5.1	0.20	6993	5.1		0.23	6171	5.1	0.25		5624	5.1	0.29	4849		5.1	0.31		4520	5.1	0.35	3951	5.1	0.38	3704	5.1	0.43	3268	5.1	0.48	2898	5.1	0.56	2463	5.1	0.54	2598	5.1	0.58	2383	5.1	0.69	2029	5.1	0.79	1749	5.1	0.85	1630	5.1	0.98	1425	5.1	1.0	1336	5.1	1.2	1179	5.1	1.3	1074	5.1	1.5	927	5.1	1.6	863	5.1	1.8	755	5.1	2.5	546	5.1	2.8	502	5.1	3.2	429	5.1	3.7	372	5.1	4.0	348	5.1	4.6	301	5.1	5.5	255	5.1	6.1	228	5.1	0.16	8595	4.7	GR37R17 GRF37R17	0.12	0.16	8480			6.7	0.19	7411	4.7			0.20	6907	4.7	0.23	6038	4.7			0.27	5206	4.7	0.30	4651	4.7			0.34	4065	4.7	0.38			3658	4.7	0.44	3154			4.7	0.50	2757	4.7					0.58	2409	4.7	0.66			2106	4.7	0.76	1818	4.7	0.88	1576	4.7	1.0	1359	4.7	1.1	1267	4.7	1.3	1098	4.7	1.4	970	4.7	1.7	839	4.7	1.9	740	4.7	2.1	653	4.7	2.4	577	4.7	2.8	498	4.7	3.2	439	4.7	3.7	378	4.7	4.2	328	4.7	0.10	1074	5.1	1.5	927	5.1	1.6	863	5.1	1.8	755	5.1	2.5	546	5.1	2.8	502	5.1	3.2	429	5.1	3.7	372	5.1	4.0	348	5.1	4.6	301	5.1	5.5	255	5.1	6.1	228	5.1	0.10	13598	5.1	0.11	12472	5.1	0.13	10619	5.1	0.15	9155	5.1	0.16	8534	5.1	0.19	7460	5.1	0.20	6993	5.1	0.23	6171	5.1	0.25	5624	5.1	0.29	4849	5.1	0.31	4520	5.1	0.35	3951	5.1	0.38	3704	5.1	0.43	3268	5.1	0.48	2898	5.1	0.56	2463	5.1	0.54	2598	5.1	0.58	2383	5.1	0.69	2029	5.1	0.79	1749	5.1	0.85	1630	5.1	0.98	1425	5.1	1.0	1336	5.1	1.2	1179	5.1	1.3	1074	5.1	1.5	927	5.1	1.6	863	5.1	1.8	755	5.1	2.5	546	5.1	2.8	502	5.1	3.2	429	5.1	3.7	372	5.1	4.0	348	5.1	4.6	301	5.1	5.5	255	5.1	6.1	228	5.1	0.10	13598	5.1	0.11	12472	5.1	0.13	10619	5.1	0.15	9155	5.1	0.16	8534	5.1	0.19	7460	5.1	0.20	6993	5.1	0.23	6171	5.1	0.25	5624	5.1	0.29	4849	5.1	0.31	4520	5.1	0.35	3951	5.1	0.38	3704	5.1	0.43	3268	5.1	0.48	2898	5.1	0.56	2463	5.1	0.54	2598	5.1	0.58	2383	5.1	0.69	2029	5.1	0.79	1749	5.1	0.85	1630	5.1	0.98	1425	5.1	1.0	1336	5.1	1.2	1179	5.1	1.3	1074	5.1	1.5	927	5.1	1.6	863	5.1	1.8	755	5.1	2.5	546	5.1	2.8	502	5.1	3.2	429	5.1	3.7	372	5.1	4.0	348	5.1	4.6	301	5.1	5.5	255	5.1	6.1	228	5.1																																																																	
3.6	381	4	4.2	329	4	4.8		290	4		5.4	256		4	6.1	227	4		6.8	203		4	7.8		179	4		GR27R17 GRF27R17	0.18		450		0.10					14369		6.7	GR57R37 GRF57R37								0.12	8.9			156	4		10	135	4			12	118	4		13	104	4		GR27R17 GRF27R17								0.25			0.11				12095			6.7	15		90	4			0.13	10860		6.7	7.8			179	4	8.9	156	4	10		135	4	12	118	4	13	104	4	15	90	4	0.15	9155	5.1	0.16	8534		5.1	0.19	7460		5.1	0.20	6993	5.1		0.23	6171	5.1	0.25		5624	5.1	0.29	4849		5.1	0.31	4520	5.1		0.35	3951		5.1	0.38	3704	5.1	0.43	3268	5.1	0.48	2898	5.1	0.56	2463	5.1	0.54	2598	5.1	0.58	2383	5.1	0.69	2029	5.1	0.79	1749	5.1	0.85	1630	5.1	0.98	1425	5.1	1.0	1336	5.1	1.2	1179	5.1	1.3	1074	5.1	1.5	927	5.1	1.6	863	5.1	1.8	755	5.1	2.5	546	5.1	2.8	502	5.1	3.2	429	5.1	3.7	372	5.1	4.0	348	5.1	4.6	301	5.1	5.5	255	5.1	6.1	228	5.1	0.16	8595	4.7	GR37R17 GRF37R17	0.12	0.16	8480			6.7	0.19			7411	4.7	0.20	6907			4.7	0.23	6038	4.7	0.27	5206			4.7	0.30	4651	4.7	0.34	4065			4.7	0.38	3658	4.7			0.44	3154	4.7	0.50			2757	4.7	0.58	2409					4.7	0.66	2106	4.7	0.76	1818	4.7	0.88	1576	4.7	1.0	1359	4.7	1.1	1267	4.7	1.3	1098	4.7	1.4	970	4.7	1.7	839	4.7	1.9	740	4.7	2.1	653	4.7	2.4	577	4.7	2.8	498	4.7	3.2	439	4.7	3.7	378	4.7	4.2	328	4.7	0.10	1074	5.1	1.5	927	5.1	1.6	863	5.1	1.8	755	5.1	2.5	546	5.1	2.8	502	5.1	3.2	429	5.1	3.7	372	5.1	4.0	348	5.1	4.6	301	5.1	5.5	255	5.1	6.1	228	5.1	0.10	13598	5.1	0.11	12472	5.1	0.13	10619	5.1	0.15	9155	5.1	0.16	8534	5.1	0.19	7460	5.1	0.20	6993	5.1	0.23	6171	5.1	0.25	5624	5.1	0.29	4849	5.1	0.31	4520	5.1	0.35	3951	5.1	0.38	3704	5.1	0.43	3268	5.1	0.48	2898	5.1	0.56	2463	5.1	0.54	2598	5.1	0.58	2383	5.1	0.69	2029	5.1	0.79	1749	5.1	0.85	1630	5.1	0.98	1425	5.1	1.0	1336	5.1	1.2	1179	5.1	1.3	1074	5.1	1.5	927	5.1	1.6	863	5.1	1.8	755	5.1	2.5	546	5.1	2.8	502	5.1	3.2	429	5.1	3.7	372	5.1	4.0	348	5.1	4.6	301	5.1	5.5	255	5.1	6.1	228	5.1	0.10	13598	5.1	0.11	12472	5.1	0.13	10619	5.1	0.15	9155	5.1	0.16	8534	5.1	0.19	7460	5.1	0.20	6993	5.1	0.23	6171	5.1	0.25	5624	5.1	0.29	4849	5.1	0.31	4520	5.1	0.35	3951	5.1	0.38	3704	5.1	0.43	3268	5.1	0.48	2898	5.1	0.56	2463	5.1	0.54	2598	5.1	0.58	2383	5.1	0.69	2029	5.1	0.79	1749	5.1	0.85	1630	5.1	0.98	1425	5.1	1.0	1336	5.1	1.2	1179	5.1	1.3	1074	5.1	1.5	927	5.1	1.6	863	5.1	1.8	755	5.1	2.5	546	5.1	2.8	502	5.1	3.2	429	5.1	3.7	372	5.1	4.0	348	5.1	4.6	301	5.1	5.5	255	5.1	6.1	228	5.1																																																																					
4.2	329	4	4.8	290	4	5.4		256	4		6.1	227		4	6.8	203	4		7.8	179		4	GR27R17 GRF27R17		0.18	450				0.10			14369					6.7		GR57R37 GRF57R37					0.12	8.9				156			4	10		135	4	12			118	4	13		104	4	GR27R17 GRF27R17													0.25	0.11		12095	6.7			15	90		4	0.13			10860	6.7	7.8	179	4		8.9	156	4	10	135	4	12		118	4	13	104	4	15	90	4	0.15	9155	5.1	0.16	8534	5.1	0.19	7460		5.1	0.20	6993	5.1	0.23	6171	5.1	0.25		5624	5.1	0.29	4849		5.1	0.31	4520	5.1		0.35	3951	5.1	0.38		3704	5.1		0.43	3268	5.1	0.48	2898	5.1	0.56	2463	5.1	0.54	2598	5.1	0.58	2383	5.1	0.69	2029	5.1	0.79	1749	5.1	0.85	1630	5.1	0.98	1425	5.1	1.0	1336	5.1	1.2	1179	5.1	1.3	1074	5.1	1.5	927	5.1	1.6	863	5.1	1.8	755	5.1	2.5	546	5.1	2.8	502	5.1	3.2	429	5.1	3.7	372	5.1	4.0	348	5.1	4.6	301	5.1	5.5	255	5.1	6.1	228	5.1	0.16	8595	4.7	GR37R17 GRF37R17	0.12	0.16	8480			6.7	0.19			7411	4.7			0.20	6907	4.7	0.23			6038	4.7	0.27	5206	4.7	0.30			4651	4.7	0.34	4065	4.7	0.38			3658	4.7	0.44	3154			4.7	0.50	2757	4.7			0.58	2409	4.7	0.66			2106	4.7	0.76	1818	4.7	0.88	1576	4.7	1.0	1359	4.7	1.1	1267	4.7	1.3	1098	4.7	1.4	970	4.7	1.7	839	4.7	1.9	740	4.7	2.1	653	4.7	2.4	577	4.7	2.8	498	4.7	3.2	439	4.7	3.7	378	4.7	4.2	328	4.7	0.10	1074	5.1	1.5	927	5.1	1.6	863	5.1	1.8	755	5.1	2.5	546	5.1	2.8	502	5.1	3.2	429	5.1	3.7	372	5.1	4.0	348	5.1	4.6	301	5.1	5.5	255	5.1	6.1	228	5.1	0.10	13598	5.1	0.11	12472	5.1	0.13	10619	5.1	0.15	9155	5.1	0.16	8534	5.1	0.19	7460	5.1	0.20	6993	5.1	0.23	6171	5.1	0.25	5624	5.1	0.29	4849	5.1	0.31	4520	5.1	0.35	3951	5.1	0.38	3704	5.1	0.43	3268	5.1	0.48	2898	5.1	0.56	2463	5.1	0.54	2598	5.1	0.58	2383	5.1	0.69	2029	5.1	0.79	1749	5.1	0.85	1630	5.1	0.98	1425	5.1	1.0	1336	5.1	1.2	1179	5.1	1.3	1074	5.1	1.5	927	5.1	1.6	863	5.1	1.8	755	5.1	2.5	546	5.1	2.8	502	5.1	3.2	429	5.1	3.7	372	5.1	4.0	348	5.1	4.6	301	5.1	5.5	255	5.1	6.1	228	5.1	0.10	13598	5.1	0.11	12472	5.1	0.13	10619	5.1	0.15	9155	5.1	0.16	8534	5.1	0.19	7460	5.1	0.20	6993	5.1	0.23	6171	5.1	0.25	5624	5.1	0.29	4849	5.1	0.31	4520	5.1	0.35	3951	5.1	0.38	3704	5.1	0.43	3268	5.1	0.48	2898	5.1	0.56	2463	5.1	0.54	2598	5.1	0.58	2383	5.1	0.69	2029	5.1	0.79	1749	5.1	0.85	1630	5.1	0.98	1425	5.1	1.0	1336	5.1	1.2	1179	5.1	1.3	1074	5.1	1.5	927	5.1	1.6	863	5.1	1.8	755	5.1	2.5	546	5.1	2.8	502	5.1	3.2	429	5.1	3.7	372	5.1	4.0	348	5.1	4.6	301	5.1	5.5	255	5.1	6.1	228	5.1																																																																									
4.8	290	4	5.4	256	4	6.1		227	4		6.8	203		4	7.8	179	4		GR27R17 GRF27R17	0.18		450					0.10			14369			6.7			GR57R37 GRF57R37	0.12	8.9								156				4			10	135		4	12	118			4	13	104		4	GR27R17 GRF27R17							0.25	0.11							12095		6.7	15			90	4	0.13	10860	6.7		7.8	179	4	8.9	156	4		10	135	4	12	118	4	13		104	4	15	90	4	0.15	9155	5.1	0.16	8534	5.1	0.19	7460	5.1	0.20	6993		5.1	0.23	6171	5.1	0.25	5624	5.1	0.29	4849	5.1	0.31	4520	5.1		0.35	3951	5.1	0.38		3704	5.1	0.43	3268		5.1	0.48		2898	5.1	0.56	2463	5.1	0.54	2598	5.1	0.58	2383	5.1	0.69	2029	5.1	0.79	1749	5.1	0.85	1630	5.1	0.98	1425	5.1	1.0	1336	5.1	1.2	1179	5.1	1.3	1074	5.1	1.5	927	5.1	1.6	863	5.1	1.8	755	5.1	2.5	546	5.1	2.8	502	5.1	3.2	429	5.1	3.7	372	5.1	4.0	348	5.1	4.6	301	5.1	5.5	255	5.1	6.1	228	5.1	0.16	8595	4.7	GR37R17 GRF37R17	0.12	0.16	8480			6.7	0.19			7411	4.7			0.20	6907			4.7	0.23	6038	4.7			0.27	5206	4.7	0.30	4651	4.7			0.34	4065	4.7	0.38	3658	4.7			0.44	3154	4.7	0.50			2757	4.7	0.58	2409			4.7	0.66	2106	4.7	0.76	1818	4.7	0.88	1576	4.7	1.0	1359	4.7	1.1	1267	4.7	1.3	1098	4.7	1.4	970	4.7	1.7	839	4.7	1.9	740	4.7	2.1	653	4.7	2.4	577	4.7	2.8	498	4.7	3.2	439	4.7	3.7	378	4.7	4.2	328	4.7	0.10	1074	5.1	1.5	927	5.1	1.6	863	5.1	1.8	755	5.1	2.5	546	5.1	2.8	502	5.1	3.2	429	5.1	3.7	372	5.1	4.0	348	5.1	4.6	301	5.1	5.5	255	5.1	6.1	228	5.1	0.10	13598	5.1	0.11	12472	5.1	0.13	10619	5.1	0.15	9155	5.1	0.16	8534	5.1	0.19	7460	5.1	0.20	6993	5.1	0.23	6171	5.1	0.25	5624	5.1	0.29	4849	5.1	0.31	4520	5.1	0.35	3951	5.1	0.38	3704	5.1	0.43	3268	5.1	0.48	2898	5.1	0.56	2463	5.1	0.54	2598	5.1	0.58	2383	5.1	0.69	2029	5.1	0.79	1749	5.1	0.85	1630	5.1	0.98	1425	5.1	1.0	1336	5.1	1.2	1179	5.1	1.3	1074	5.1	1.5	927	5.1	1.6	863	5.1	1.8	755	5.1	2.5	546	5.1	2.8	502	5.1	3.2	429	5.1	3.7	372	5.1	4.0	348	5.1	4.6	301	5.1	5.5	255	5.1	6.1	228	5.1	0.10	13598	5.1	0.11	12472	5.1	0.13	10619	5.1	0.15	9155	5.1	0.16	8534	5.1	0.19	7460	5.1	0.20	6993	5.1	0.23	6171	5.1	0.25	5624	5.1	0.29	4849	5.1	0.31	4520	5.1	0.35	3951	5.1	0.38	3704	5.1	0.43	3268	5.1	0.48	2898	5.1	0.56	2463	5.1	0.54	2598	5.1	0.58	2383	5.1	0.69	2029	5.1	0.79	1749	5.1	0.85	1630	5.1	0.98	1425	5.1	1.0	1336	5.1	1.2	1179	5.1	1.3	1074	5.1	1.5	927	5.1	1.6	863	5.1	1.8	755	5.1	2.5	546	5.1	2.8	502	5.1	3.2	429	5.1	3.7	372	5.1	4.0	348	5.1	4.6	301	5.1	5.5	255	5.1	6.1	228	5.1																																																																													
5.4	256	4	6.1	227	4	6.8		203	4		7.8	179		4	GR27R17 GRF27R17	0.18	450							0.10			14369			6.7		GR57R37 GRF57R37	0.12	8.9				156								4				10			135	4		12	118	4			13	104	4		GR27R17 GRF27R17					0.25				0.11		12095					6.7	15	90	4		0.13	10860	6.7	7.8	179	4		8.9	156	4	10	135	4		12	118	4	13	104	4	15		90	4	0.15	9155	5.1	0.16	8534	5.1	0.19	7460	5.1	0.20	6993	5.1	0.23	6171		5.1	0.25	5624	5.1	0.29	4849	5.1	0.31	4520	5.1	0.35	3951	5.1	0.38	3704	5.1	0.43	3268		5.1	0.48	2898	5.1		0.56	2463		5.1	0.54	2598	5.1	0.58	2383	5.1	0.69	2029	5.1	0.79	1749	5.1	0.85	1630	5.1	0.98	1425	5.1	1.0	1336	5.1	1.2	1179	5.1	1.3	1074	5.1	1.5	927	5.1	1.6	863	5.1	1.8	755	5.1	2.5	546	5.1	2.8	502	5.1	3.2	429	5.1	3.7	372	5.1	4.0	348	5.1	4.6	301	5.1	5.5	255	5.1	6.1	228	5.1	0.16	8595	4.7	GR37R17 GRF37R17	0.12	0.16	8480			6.7	0.19			7411	4.7			0.20	6907			4.7	0.23			6038	4.7	0.27	5206			4.7	0.30	4651	4.7	0.34	4065			4.7	0.38	3658	4.7	0.44	3154			4.7	0.50	2757	4.7			0.58	2409	4.7	0.66	2106	4.7	0.76	1818	4.7	0.88	1576	4.7	1.0	1359	4.7	1.1	1267	4.7	1.3	1098	4.7	1.4	970	4.7	1.7	839	4.7	1.9	740	4.7	2.1	653	4.7	2.4	577	4.7	2.8	498	4.7	3.2	439	4.7	3.7	378	4.7	4.2	328	4.7	0.10	1074	5.1	1.5	927	5.1	1.6	863	5.1	1.8	755	5.1	2.5	546	5.1	2.8	502	5.1	3.2	429	5.1	3.7	372	5.1	4.0	348	5.1	4.6	301	5.1	5.5	255	5.1	6.1	228	5.1	0.10	13598	5.1	0.11	12472	5.1	0.13	10619	5.1	0.15	9155	5.1	0.16	8534	5.1	0.19	7460	5.1	0.20	6993	5.1	0.23	6171	5.1	0.25	5624	5.1	0.29	4849	5.1	0.31	4520	5.1	0.35	3951	5.1	0.38	3704	5.1	0.43	3268	5.1	0.48	2898	5.1	0.56	2463	5.1	0.54	2598	5.1	0.58	2383	5.1	0.69	2029	5.1	0.79	1749	5.1	0.85	1630	5.1	0.98	1425	5.1	1.0	1336	5.1	1.2	1179	5.1	1.3	1074	5.1	1.5	927	5.1	1.6	863	5.1	1.8	755	5.1	2.5	546	5.1	2.8	502	5.1	3.2	429	5.1	3.7	372	5.1	4.0	348	5.1	4.6	301	5.1	5.5	255	5.1	6.1	228	5.1	0.10	13598	5.1	0.11	12472	5.1	0.13	10619	5.1	0.15	9155	5.1	0.16	8534	5.1	0.19	7460	5.1	0.20	6993	5.1	0.23	6171	5.1	0.25	5624	5.1	0.29	4849	5.1	0.31	4520	5.1	0.35	3951	5.1	0.38	3704	5.1	0.43	3268	5.1	0.48	2898	5.1	0.56	2463	5.1	0.54	2598	5.1	0.58	2383	5.1	0.69	2029	5.1	0.79	1749	5.1	0.85	1630	5.1	0.98	1425	5.1	1.0	1336	5.1	1.2	1179	5.1	1.3	1074	5.1	1.5	927	5.1	1.6	863	5.1	1.8	755	5.1	2.5	546	5.1	2.8	502	5.1	3.2	429	5.1	3.7	372	5.1	4.0	348	5.1	4.6	301	5.1	5.5	255	5.1	6.1	228	5.1																																																																																	
6.1	227	4	6.8	203	4	7.8		179	4		GR27R17 GRF27R17	0.18		450							0.10			14369			6.7	GR57R37 GRF57R37	0.12	8.9				156				4								10				135			4	12		118	4	13			104	4	GR27R17 GRF27R17						0.25					0.11	12095	6.7	15		90		4	0.13	10860	6.7		7.8	179	4	8.9	156	4		10	135	4	12	118	4		13	104	4	15	90	4	0.15		9155	5.1	0.16	8534	5.1	0.19	7460	5.1	0.20	6993	5.1	0.23	6171	5.1	0.25	5624		5.1	0.29	4849	5.1	0.31	4520	5.1	0.35	3951	5.1	0.38	3704	5.1	0.43	3268	5.1	0.48	2898	5.1	0.56	2463	5.1	0.54		2598	5.1		0.58	2383	5.1	0.69	2029	5.1	0.79	1749	5.1	0.85	1630	5.1	0.98	1425	5.1	1.0	1336	5.1	1.2	1179	5.1	1.3	1074	5.1	1.5	927	5.1	1.6	863	5.1	1.8	755	5.1	2.5	546	5.1	2.8	502	5.1	3.2	429	5.1	3.7	372	5.1	4.0	348	5.1	4.6	301	5.1	5.5	255	5.1	6.1	228	5.1	0.16	8595	4.7	GR37R17 GRF37R17	0.12	0.16	8480			6.7	0.19			7411	4.7			0.20	6907			4.7	0.23			6038	4.7			0.27	5206	4.7	0.30			4651	4.7	0.34	4065	4.7	0.38			3658	4.7	0.44	3154	4.7	0.50			2757	4.7	0.58	2409	4.7	0.66	2106	4.7	0.76	1818	4.7	0.88	1576	4.7	1.0	1359	4.7	1.1	1267	4.7	1.3	1098	4.7	1.4	970	4.7	1.7	839	4.7	1.9	740	4.7	2.1	653	4.7	2.4	577	4.7	2.8	498	4.7	3.2	439	4.7	3.7	378	4.7	4.2	328	4.7	0.10	1074	5.1	1.5	927	5.1	1.6	863	5.1	1.8	755	5.1	2.5	546	5.1	2.8	502	5.1	3.2	429	5.1	3.7	372	5.1	4.0	348	5.1	4.6	301	5.1	5.5	255	5.1	6.1	228	5.1	0.10	13598	5.1	0.11	12472	5.1	0.13	10619	5.1	0.15	9155	5.1	0.16	8534	5.1	0.19	7460	5.1	0.20	6993	5.1	0.23	6171	5.1	0.25	5624	5.1	0.29	4849	5.1	0.31	4520	5.1	0.35	3951	5.1	0.38	3704	5.1	0.43	3268	5.1	0.48	2898	5.1	0.56	2463	5.1	0.54	2598	5.1	0.58	2383	5.1	0.69	2029	5.1	0.79	1749	5.1	0.85	1630	5.1	0.98	1425	5.1	1.0	1336	5.1	1.2	1179	5.1	1.3	1074	5.1	1.5	927	5.1	1.6	863	5.1	1.8	755	5.1	2.5	546	5.1	2.8	502	5.1	3.2	429	5.1	3.7	372	5.1	4.0	348	5.1	4.6	301	5.1	5.5	255	5.1	6.1	228	5.1	0.10	13598	5.1	0.11	12472	5.1	0.13	10619	5.1	0.15	9155	5.1	0.16	8534	5.1	0.19	7460	5.1	0.20	6993	5.1	0.23	6171	5.1	0.25	5624	5.1	0.29	4849	5.1	0.31	4520	5.1	0.35	3951	5.1	0.38	3704	5.1	0.43	3268	5.1	0.48	2898	5.1	0.56	2463	5.1	0.54	2598	5.1	0.58	2383	5.1	0.69	2029	5.1	0.79	1749	5.1	0.85	1630	5.1	0.98	1425	5.1	1.0	1336	5.1	1.2	1179	5.1	1.3	1074	5.1	1.5	927	5.1	1.6	863	5.1	1.8	755	5.1	2.5	546	5.1	2.8	502	5.1	3.2	429	5.1	3.7	372	5.1	4.0	348	5.1	4.6	301	5.1	5.5	255	5.1	6.1	228	5.1																																																																																					
6.8	203	4	7.8	179	4	GR27R17 GRF27R17		0.18	450									0.10			14369		6.7	GR57R37 GRF57R37	0.12		8.9			156				4				10								135				4			12	118		4	13	104			4	GR27R17 GRF27R17					0.25	0.11				12095		6.7	15	90	4		0.13	10860	6.7	7.8	179	4		8.9	156	4	10	135	4		12	118	4	13	104	4		15	90	4	0.15	9155	5.1	0.16		8534	5.1	0.19	7460	5.1	0.20	6993	5.1	0.23	6171	5.1	0.25	5624	5.1	0.29	4849		5.1	0.31	4520	5.1	0.35	3951	5.1	0.38	3704	5.1	0.43	3268	5.1	0.48	2898	5.1	0.56	2463	5.1	0.54	2598	5.1	0.58	2383	5.1	0.69		2029	5.1	0.79	1749	5.1	0.85	1630	5.1	0.98	1425	5.1	1.0	1336	5.1	1.2	1179	5.1	1.3	1074	5.1	1.5	927	5.1	1.6	863	5.1	1.8	755	5.1	2.5	546	5.1	2.8	502	5.1	3.2	429	5.1	3.7	372	5.1	4.0	348	5.1	4.6	301	5.1	5.5	255	5.1	6.1	228	5.1	0.16	8595	4.7	GR37R17 GRF37R17	0.12	0.16	8480			6.7	0.19			7411	4.7			0.20	6907			4.7	0.23			6038	4.7			0.27	5206			4.7	0.30	4651	4.7			0.34	4065	4.7	0.38	3658	4.7			0.44	3154	4.7	0.50	2757	4.7	0.58	2409	4.7	0.66	2106	4.7	0.76	1818	4.7	0.88	1576	4.7	1.0	1359	4.7	1.1	1267	4.7	1.3	1098	4.7	1.4	970	4.7	1.7	839	4.7	1.9	740	4.7	2.1	653	4.7	2.4	577	4.7	2.8	498	4.7	3.2	439	4.7	3.7	378	4.7	4.2	328	4.7	0.10	1074	5.1	1.5	927	5.1	1.6	863	5.1	1.8	755	5.1	2.5	546	5.1	2.8	502	5.1	3.2	429	5.1	3.7	372	5.1	4.0	348	5.1	4.6	301	5.1	5.5	255	5.1	6.1	228	5.1	0.10	13598	5.1	0.11	12472	5.1	0.13	10619	5.1	0.15	9155	5.1	0.16	8534	5.1	0.19	7460	5.1	0.20	6993	5.1	0.23	6171	5.1	0.25	5624	5.1	0.29	4849	5.1	0.31	4520	5.1	0.35	3951	5.1	0.38	3704	5.1	0.43	3268	5.1	0.48	2898	5.1	0.56	2463	5.1	0.54	2598	5.1	0.58	2383	5.1	0.69	2029	5.1	0.79	1749	5.1	0.85	1630	5.1	0.98	1425	5.1	1.0	1336	5.1	1.2	1179	5.1	1.3	1074	5.1	1.5	927	5.1	1.6	863	5.1	1.8	755	5.1	2.5	546	5.1	2.8	502	5.1	3.2	429	5.1	3.7	372	5.1	4.0	348	5.1	4.6	301	5.1	5.5	255	5.1	6.1	228	5.1	0.10	13598	5.1	0.11	12472	5.1	0.13	10619	5.1	0.15	9155	5.1	0.16	8534	5.1	0.19	7460	5.1	0.20	6993	5.1	0.23	6171	5.1	0.25	5624	5.1	0.29	4849	5.1	0.31	4520	5.1	0.35	3951	5.1	0.38	3704	5.1	0.43	3268	5.1	0.48	2898	5.1	0.56	2463	5.1	0.54	2598	5.1	0.58	2383	5.1	0.69	2029	5.1	0.79	1749	5.1	0.85	1630	5.1	0.98	1425	5.1	1.0	1336	5.1	1.2	1179	5.1	1.3	1074	5.1	1.5	927	5.1	1.6	863	5.1	1.8	755	5.1	2.5	546	5.1	2.8	502	5.1	3.2	429	5.1	3.7	372	5.1	4.0	348	5.1	4.6	301	5.1	5.5	255	5.1	6.1	228	5.1																																																																																									
7.8	179	4	GR27R17 GRF27R17	0.18	450								0.10					14369	6.7	GR57R37 GRF57R37	0.12																																																																																																																																																																																																																																																																																																																																																																																																																																																																																																																																																																																																																																																	
8.9	156	4								10			135		4	12		118	4				13				104			4				GR27R17 GRF27R17				0.25								0.11				12095	6.7	15	90	4		0.13	10860	6.7	7.8	179	4				8.9	156		4		10		135	4	12	118	4	13		104	4	15	90	4	0.15		9155	5.1	0.16	8534	5.1	0.19		7460	5.1	0.20	6993	5.1	0.23		6171	5.1	0.25	5624	5.1	0.29	4849		5.1	0.31	4520	5.1	0.35	3951	5.1	0.38	3704	5.1	0.43	3268	5.1	0.48	2898	5.1	0.56	2463	5.1	0.54	2598	5.1	0.58	2383	5.1	0.69	2029	5.1	0.79	1749	5.1	0.85	1630	5.1	0.98	1425	5.1	1.0	1336	5.1	1.2	1179	5.1	1.3	1074	5.1	1.5	927	5.1	1.6	863	5.1	1.8	755	5.1	2.5	546	5.1	2.8	502	5.1	3.2	429	5.1	3.7	372	5.1	4.0	348	5.1	4.6	301	5.1	5.5	255	5.1	6.1	228	5.1	0.16	8595	4.7	GR37R17 GRF37R17	0.12	0.16	8480	6.7	0.19	7411	4.7	0.20	6907	4.7	0.23	6038	4.7	0.27	5206	4.7	0.30			4651	4.7			0.34	4065			4.7	0.38			3658	4.7			0.44	3154			4.7	0.50			2757	4.7			0.58	2409	4.7	0.66	2106	4.7	0.76	1818	4.7	0.88	1576	4.7	1.0	1359	4.7	1.1	1267	4.7	1.3	1098	4.7	1.4	970	4.7	1.7	839	4.7	1.9	740	4.7	2.1	653	4.7	2.4	577	4.7	2.8	498	4.7	3.2	439	4.7	3.7	378	4.7	4.2	328	4.7	0.10	1074	5.1	1.5	927	5.1	1.6	863	5.1	1.8	755	5.1	2.5	546	5.1	2.8	502	5.1	3.2	429	5.1	3.7	372	5.1	4.0	348	5.1	4.6	301	5.1	5.5	255	5.1	6.1	228	5.1	0.10	13598	5.1	0.11	12472	5.1	0.13	10619	5.1	0.15	9155	5.1	0.16	8534	5.1	0.19	7460	5.1	0.20	6993	5.1	0.23	6171	5.1	0.25	5624	5.1	0.29	4849	5.1	0.31	4520	5.1	0.35	3951	5.1	0.38	3704	5.1	0.43	3268	5.1	0.48	2898	5.1	0.56	2463	5.1	0.54	2598	5.1	0.58	2383	5.1	0.69	2029	5.1	0.79	1749	5.1	0.85	1630	5.1	0.98	1425	5.1	1.0	1336	5.1	1.2	1179	5.1	1.3	1074	5.1	1.5	927	5.1	1.6	863	5.1	1.8	755	5.1	2.5	546	5.1	2.8	502	5.1	3.2	429	5.1	3.7	372	5.1	4.0	348	5.1	4.6	301	5.1	5.5	255	5.1	6.1	228	5.1	0.10	13598	5.1	0.11	12472	5.1	0.13	10619	5.1	0.15	9155	5.1	0.16	8534	5.1	0.19	7460	5.1	0.20	6993	5.1	0.23	6171	5.1	0.25	5624	5.1	0.29	4849	5.1	0.31	4520	5.1	0.35	3951	5.1	0.38	3704	5.1	0.43	3268	5.1	0.48	2898	5.1	0.56	2463	5.1	0.54	2598	5.1	0.58	2383	5.1	0.69	2029	5.1	0.79	1749	5.1	0.85	1630	5.1	0.98	1425	5.1	1.0	1336	5.1	1.2	1179	5.1	1.3	1074	5.1	1.5	927	5.1	1.6	863	5.1	1.8	755	5.1	2.5	546	5.1	2.8	502	5.1	3.2	429	5.1	3.7	372	5.1	4.0	348	5.1	4.6	301	5.1	5.5	255	5.1	6.1	228	5.1																																																																																																													
10	135	4					12			118	4	13	104		4	GR27R17 GRF27R17		0.25	0.11				12095				6.7			15													90	4		0.13				10860	6.7	7.8	179	4		8.9	156	4	10	135	4		12		118	4		13	104	4		15	90	4	0.15	9155	5.1		0.16	8534	5.1	0.19	7460	5.1		0.20	6993	5.1	0.23	6171	5.1		0.25	5624	5.1	0.29	4849	5.1		0.31	4520	5.1	0.35	3951	5.1	0.38		3704	5.1	0.43	3268	5.1	0.48	2898	5.1	0.56	2463	5.1	0.54	2598	5.1	0.58	2383	5.1	0.69	2029	5.1	0.79	1749	5.1	0.85	1630	5.1	0.98	1425	5.1	1.0	1336	5.1	1.2	1179	5.1	1.3	1074	5.1	1.5	927	5.1	1.6	863	5.1	1.8	755	5.1	2.5	546	5.1	2.8	502	5.1	3.2	429	5.1	3.7	372	5.1	4.0	348	5.1	4.6	301	5.1	5.5	255	5.1	6.1	228	5.1	0.16	8595	4.7	GR37R17 GRF37R17	0.12	0.16	8480	6.7	0.19	7411	4.7			0.20	6907	4.7	0.23	6038	4.7	0.27	5206	4.7	0.30	4651	4.7	0.34	4065	4.7	0.38			3658	4.7			0.44	3154			4.7	0.50			2757	4.7			0.58	2409			4.7	0.66			2106	4.7	0.76	1818	4.7	0.88	1576	4.7	1.0	1359	4.7	1.1	1267	4.7	1.3	1098	4.7	1.4	970	4.7	1.7	839	4.7	1.9	740	4.7	2.1	653	4.7	2.4	577	4.7	2.8	498	4.7	3.2	439	4.7	3.7	378	4.7	4.2	328	4.7	0.10	1074	5.1	1.5	927	5.1	1.6	863	5.1	1.8	755	5.1	2.5	546	5.1	2.8	502	5.1	3.2	429	5.1	3.7	372	5.1	4.0	348	5.1	4.6	301	5.1	5.5	255	5.1	6.1	228	5.1	0.10	13598	5.1	0.11	12472	5.1	0.13	10619	5.1	0.15	9155	5.1	0.16	8534	5.1	0.19	7460	5.1	0.20	6993	5.1	0.23	6171	5.1	0.25	5624	5.1	0.29	4849	5.1	0.31	4520	5.1	0.35	3951	5.1	0.38	3704	5.1	0.43	3268	5.1	0.48	2898	5.1	0.56	2463	5.1	0.54	2598	5.1	0.58	2383	5.1	0.69	2029	5.1	0.79	1749	5.1	0.85	1630	5.1	0.98	1425	5.1	1.0	1336	5.1	1.2	1179	5.1	1.3	1074	5.1	1.5	927	5.1	1.6	863	5.1	1.8	755	5.1	2.5	546	5.1	2.8	502	5.1	3.2	429	5.1	3.7	372	5.1	4.0	348	5.1	4.6	301	5.1	5.5	255	5.1	6.1	228	5.1	0.10	13598	5.1	0.11	12472	5.1	0.13	10619	5.1	0.15	9155	5.1	0.16	8534	5.1	0.19	7460	5.1	0.20	6993	5.1	0.23	6171	5.1	0.25	5624	5.1	0.29	4849	5.1	0.31	4520	5.1	0.35	3951	5.1	0.38	3704	5.1	0.43	3268	5.1	0.48	2898	5.1	0.56	2463	5.1	0.54	2598	5.1	0.58	2383	5.1	0.69	2029	5.1	0.79	1749	5.1	0.85	1630	5.1	0.98	1425	5.1	1.0	1336	5.1	1.2	1179	5.1	1.3	1074	5.1	1.5	927	5.1	1.6	863	5.1	1.8	755	5.1	2.5	546	5.1	2.8	502	5.1	3.2	429	5.1	3.7	372	5.1	4.0	348	5.1	4.6	301	5.1	5.5	255	5.1	6.1	228	5.1																																																																																																																					
12	118	4				13	104	4		GR27R17 GRF27R17	0.25	0.11	12095		6.7				15				90				4			0.13												10860	6.7	7.8		179		4		8.9	156	4	10	135		4	12	118	4	13	104	4	15		90	4	0.15	9155	5.1	0.16		8534	5.1	0.19	7460	5.1	0.20		6993	5.1	0.23	6171	5.1	0.25		5624	5.1	0.29	4849	5.1	0.31		4520	5.1	0.35	3951	5.1	0.38		3704	5.1	0.43	3268	5.1	0.48	2898	5.1	0.56	2463	5.1	0.54	2598	5.1	0.58	2383	5.1	0.69	2029	5.1	0.79	1749	5.1	0.85	1630	5.1	0.98	1425	5.1	1.0	1336	5.1	1.2	1179	5.1	1.3	1074	5.1	1.5	927	5.1	1.6	863	5.1	1.8	755	5.1	2.5	546	5.1	2.8	502	5.1	3.2	429	5.1	3.7	372	5.1	4.0	348	5.1	4.6	301	5.1	5.5	255	5.1	6.1	228	5.1	0.16	8595	4.7	GR37R17 GRF37R17	0.12	0.16	8480	6.7	0.19	7411	4.7			0.20	6907	4.7	0.23	6038	4.7			0.27	5206	4.7	0.30	4651	4.7	0.34	4065	4.7	0.38	3658	4.7	0.44	3154	4.7	0.50			2757	4.7			0.58	2409			4.7	0.66			2106	4.7			0.76	1818			4.7	0.88	1576	4.7	1.0	1359	4.7	1.1	1267	4.7	1.3	1098	4.7	1.4	970	4.7	1.7	839	4.7	1.9	740	4.7	2.1	653	4.7	2.4	577	4.7	2.8	498	4.7	3.2	439	4.7	3.7	378	4.7	4.2	328	4.7	0.10	1074	5.1	1.5	927	5.1	1.6	863	5.1	1.8	755	5.1	2.5	546	5.1	2.8	502	5.1	3.2	429	5.1	3.7	372	5.1	4.0	348	5.1	4.6	301	5.1	5.5	255	5.1	6.1	228	5.1	0.10	13598	5.1	0.11	12472	5.1	0.13	10619	5.1	0.15	9155	5.1	0.16	8534	5.1	0.19	7460	5.1	0.20	6993	5.1	0.23	6171	5.1	0.25	5624	5.1	0.29	4849	5.1	0.31	4520	5.1	0.35	3951	5.1	0.38	3704	5.1	0.43	3268	5.1	0.48	2898	5.1	0.56	2463	5.1	0.54	2598	5.1	0.58	2383	5.1	0.69	2029	5.1	0.79	1749	5.1	0.85	1630	5.1	0.98	1425	5.1	1.0	1336	5.1	1.2	1179	5.1	1.3	1074	5.1	1.5	927	5.1	1.6	863	5.1	1.8	755	5.1	2.5	546	5.1	2.8	502	5.1	3.2	429	5.1	3.7	372	5.1	4.0	348	5.1	4.6	301	5.1	5.5	255	5.1	6.1	228	5.1	0.10	13598	5.1	0.11	12472	5.1	0.13	10619	5.1	0.15	9155	5.1	0.16	8534	5.1	0.19	7460	5.1	0.20	6993	5.1	0.23	6171	5.1	0.25	5624	5.1	0.29	4849	5.1	0.31	4520	5.1	0.35	3951	5.1	0.38	3704	5.1	0.43	3268	5.1	0.48	2898	5.1	0.56	2463	5.1	0.54	2598	5.1	0.58	2383	5.1	0.69	2029	5.1	0.79	1749	5.1	0.85	1630	5.1	0.98	1425	5.1	1.0	1336	5.1	1.2	1179	5.1	1.3	1074	5.1	1.5	927	5.1	1.6	863	5.1	1.8	755	5.1	2.5	546	5.1	2.8	502	5.1	3.2	429	5.1	3.7	372	5.1	4.0	348	5.1	4.6	301	5.1	5.5	255	5.1	6.1	228	5.1																																																																																																																													
13	104	4	GR27R17 GRF27R17	0.25		0.11	12095	6.7				15	90		4				0.13				10860				6.7			7.8											179	4	8.9	156		4		10	135	4	12	118	4	13		104	4	15	90	4	0.15	9155	5.1		0.16	8534	5.1	0.19	7460	5.1		0.20	6993	5.1	0.23	6171	5.1		0.25	5624	5.1	0.29	4849	5.1		0.31	4520	5.1	0.35	3951	5.1		0.38	3704	5.1	0.43	3268	5.1	0.48	2898	5.1	0.56	2463	5.1	0.54	2598	5.1	0.58	2383	5.1	0.69	2029	5.1	0.79	1749	5.1	0.85	1630	5.1	0.98	1425	5.1	1.0	1336	5.1	1.2	1179	5.1	1.3	1074	5.1	1.5	927	5.1	1.6	863	5.1	1.8	755	5.1	2.5	546	5.1	2.8	502	5.1	3.2	429	5.1	3.7	372	5.1	4.0	348	5.1	4.6	301	5.1	5.5	255	5.1	6.1	228	5.1	0.16	8595	4.7	GR37R17 GRF37R17	0.12	0.16	8480	6.7	0.19			7411	4.7	0.20	6907	4.7	0.23			6038	4.7	0.27	5206	4.7	0.30			4651	4.7	0.34	4065	4.7	0.38	3658	4.7	0.44	3154	4.7	0.50	2757	4.7	0.58	2409			4.7	0.66			2106	4.7			0.76	1818			4.7	0.88			1576	4.7	1.0	1359	4.7	1.1	1267	4.7	1.3	1098	4.7	1.4	970	4.7	1.7	839	4.7	1.9	740	4.7	2.1	653	4.7	2.4	577	4.7	2.8	498	4.7	3.2	439	4.7	3.7	378	4.7	4.2	328	4.7	0.10	1074	5.1	1.5	927	5.1	1.6	863	5.1	1.8	755	5.1	2.5	546	5.1	2.8	502	5.1	3.2	429	5.1	3.7	372	5.1	4.0	348	5.1	4.6	301	5.1	5.5	255	5.1	6.1	228	5.1	0.10	13598	5.1	0.11	12472	5.1	0.13	10619	5.1	0.15	9155	5.1	0.16	8534	5.1	0.19	7460	5.1	0.20	6993	5.1	0.23	6171	5.1	0.25	5624	5.1	0.29	4849	5.1	0.31	4520	5.1	0.35	3951	5.1	0.38	3704	5.1	0.43	3268	5.1	0.48	2898	5.1	0.56	2463	5.1	0.54	2598	5.1	0.58	2383	5.1	0.69	2029	5.1	0.79	1749	5.1	0.85	1630	5.1	0.98	1425	5.1	1.0	1336	5.1	1.2	1179	5.1	1.3	1074	5.1	1.5	927	5.1	1.6	863	5.1	1.8	755	5.1	2.5	546	5.1	2.8	502	5.1	3.2	429	5.1	3.7	372	5.1	4.0	348	5.1	4.6	301	5.1	5.5	255	5.1	6.1	228	5.1	0.10	13598	5.1	0.11	12472	5.1	0.13	10619	5.1	0.15	9155	5.1	0.16	8534	5.1	0.19	7460	5.1	0.20	6993	5.1	0.23	6171	5.1	0.25	5624	5.1	0.29	4849	5.1	0.31	4520	5.1	0.35	3951	5.1	0.38	3704	5.1	0.43	3268	5.1	0.48	2898	5.1	0.56	2463	5.1	0.54	2598	5.1	0.58	2383	5.1	0.69	2029	5.1	0.79	1749	5.1	0.85	1630	5.1	0.98	1425	5.1	1.0	1336	5.1	1.2	1179	5.1	1.3	1074	5.1	1.5	927	5.1	1.6	863	5.1	1.8	755	5.1	2.5	546	5.1	2.8	502	5.1	3.2	429	5.1	3.7	372	5.1	4.0	348	5.1	4.6	301	5.1	5.5	255	5.1	6.1	228	5.1																																																																																																																																			
15	90	4				0.13	10860	6.7				7.8	179		4				8.9				156				4			10				135				4		12	118	4	13	104	4	15		90	4	0.15	9155	5.1	0.16	8534		5.1	0.19	7460	5.1	0.20	6993	5.1	0.23		6171	5.1	0.25	5624	5.1	0.29		4849	5.1	0.31	4520	5.1	0.35		3951	5.1	0.38	3704	5.1	0.43		3268	5.1	0.48	2898	5.1	0.56	2463	5.1	0.54	2598	5.1	0.58	2383	5.1	0.69	2029	5.1	0.79	1749	5.1	0.85	1630	5.1	0.98	1425	5.1	1.0	1336	5.1	1.2	1179	5.1	1.3	1074	5.1	1.5	927	5.1	1.6	863	5.1	1.8	755	5.1	2.5	546	5.1	2.8	502	5.1	3.2	429	5.1	3.7	372	5.1	4.0	348	5.1	4.6	301	5.1	5.5	255	5.1	6.1	228	5.1	0.16	8595	4.7	GR37R17 GRF37R17	0.12	0.16	8480	6.7	0.19	7411	4.7	0.20	6907	4.7			0.23	6038	4.7	0.27			5206	4.7	0.30	4651	4.7	0.34			4065	4.7	0.38	3658	4.7	0.44			3154	4.7	0.50	2757	4.7	0.58	2409	4.7	0.66	2106	4.7	0.76	1818	4.7	0.88	1576			4.7	1.0			1359	4.7			1.1	1267			4.7	1.3	1098	4.7	1.4	970	4.7	1.7	839	4.7	1.9	740	4.7	2.1	653	4.7	2.4	577	4.7	2.8	498	4.7	3.2	439	4.7	3.7	378	4.7	4.2	328	4.7	0.10	1074	5.1	1.5	927	5.1	1.6	863	5.1	1.8	755	5.1	2.5	546	5.1	2.8	502	5.1	3.2	429	5.1	3.7	372	5.1	4.0	348	5.1	4.6	301	5.1	5.5	255	5.1	6.1	228	5.1	0.10	13598	5.1	0.11	12472	5.1	0.13	10619	5.1	0.15	9155	5.1	0.16	8534	5.1	0.19	7460	5.1	0.20	6993	5.1	0.23	6171	5.1	0.25	5624	5.1	0.29	4849	5.1	0.31	4520	5.1	0.35	3951	5.1	0.38	3704	5.1	0.43	3268	5.1	0.48	2898	5.1	0.56	2463	5.1	0.54	2598	5.1	0.58	2383	5.1	0.69	2029	5.1	0.79	1749	5.1	0.85	1630	5.1	0.98	1425	5.1	1.0	1336	5.1	1.2	1179	5.1	1.3	1074	5.1	1.5	927	5.1	1.6	863	5.1	1.8	755	5.1	2.5	546	5.1	2.8	502	5.1	3.2	429	5.1	3.7	372	5.1	4.0	348	5.1	4.6	301	5.1	5.5	255	5.1	6.1	228	5.1	0.10	13598	5.1	0.11	12472	5.1	0.13	10619	5.1	0.15	9155	5.1	0.16	8534	5.1	0.19	7460	5.1	0.20	6993	5.1	0.23	6171	5.1	0.25	5624	5.1	0.29	4849	5.1	0.31	4520	5.1	0.35	3951	5.1	0.38	3704	5.1	0.43	3268	5.1	0.48	2898	5.1	0.56	2463	5.1	0.54	2598	5.1	0.58	2383	5.1	0.69	2029	5.1	0.79	1749	5.1	0.85	1630	5.1	0.98	1425	5.1	1.0	1336	5.1	1.2	1179	5.1	1.3	1074	5.1	1.5	927	5.1	1.6	863	5.1	1.8	755	5.1	2.5	546	5.1	2.8	502	5.1	3.2	429	5.1	3.7	372	5.1	4.0	348	5.1	4.6	301	5.1	5.5	255	5.1	6.1	228	5.1																																																																																																																																														
0.13	10860	6.7				7.8	179	4				8.9	156		4	10		135	4				12				118			4				13		104	4	15		90	4	0.15	9155	5.1	0.16	8534		5.1	0.19	7460	5.1	0.20	6993	5.1		0.23	6171	5.1	0.25	5624	5.1	0.29	4849		5.1	0.31	4520	5.1	0.35	3951		5.1	0.38	3704	5.1	0.43	3268		5.1	0.48	2898	5.1	0.56	2463	5.1	0.54	2598	5.1	0.58	2383	5.1	0.69	2029	5.1	0.79	1749	5.1	0.85	1630	5.1	0.98	1425	5.1	1.0	1336	5.1	1.2	1179	5.1	1.3	1074	5.1	1.5	927	5.1	1.6	863	5.1	1.8	755	5.1	2.5	546	5.1	2.8	502	5.1	3.2	429	5.1	3.7	372	5.1	4.0	348	5.1	4.6	301	5.1	5.5	255	5.1	6.1	228	5.1	0.16	8595	4.7	GR37R17 GRF37R17	0.12	0.16	8480	6.7	0.19	7411	4.7			0.20	6907	4.7	0.23	6038	4.7	0.27	5206	4.7			0.30	4651	4.7	0.34			4065	4.7	0.38	3658	4.7	0.44			3154	4.7	0.50	2757	4.7	0.58			2409	4.7	0.66	2106	4.7	0.76	1818	4.7	0.88	1576	4.7	1.0	1359	4.7	1.1	1267			4.7	1.3			1098	4.7			1.4	970	4.7	1.7	839	4.7	1.9	740	4.7	2.1	653	4.7	2.4	577	4.7	2.8	498	4.7	3.2	439	4.7	3.7	378	4.7	4.2	328	4.7	0.10	1074	5.1	1.5	927	5.1	1.6	863	5.1	1.8	755	5.1	2.5	546	5.1	2.8	502	5.1	3.2	429	5.1	3.7	372	5.1	4.0	348	5.1	4.6	301	5.1	5.5	255	5.1	6.1	228	5.1	0.10	13598	5.1	0.11	12472	5.1	0.13	10619	5.1	0.15	9155	5.1	0.16	8534	5.1	0.19	7460	5.1	0.20	6993	5.1	0.23	6171	5.1	0.25	5624	5.1	0.29	4849	5.1	0.31	4520	5.1	0.35	3951	5.1	0.38	3704	5.1	0.43	3268	5.1	0.48	2898	5.1	0.56	2463	5.1	0.54	2598	5.1	0.58	2383	5.1	0.69	2029	5.1	0.79	1749	5.1	0.85	1630	5.1	0.98	1425	5.1	1.0	1336	5.1	1.2	1179	5.1	1.3	1074	5.1	1.5	927	5.1	1.6	863	5.1	1.8	755	5.1	2.5	546	5.1	2.8	502	5.1	3.2	429	5.1	3.7	372	5.1	4.0	348	5.1	4.6	301	5.1	5.5	255	5.1	6.1	228	5.1	0.10	13598	5.1	0.11	12472	5.1	0.13	10619	5.1	0.15	9155	5.1	0.16	8534	5.1	0.19	7460	5.1	0.20	6993	5.1	0.23	6171	5.1	0.25	5624	5.1	0.29	4849	5.1	0.31	4520	5.1	0.35	3951	5.1	0.38	3704	5.1	0.43	3268	5.1	0.48	2898	5.1	0.56	2463	5.1	0.54	2598	5.1	0.58	2383	5.1	0.69	2029	5.1	0.79	1749	5.1	0.85	1630	5.1	0.98	1425	5.1	1.0	1336	5.1	1.2	1179	5.1	1.3	1074	5.1	1.5	927	5.1	1.6	863	5.1	1.8	755	5.1	2.5	546	5.1	2.8	502	5.1	3.2	429	5.1	3.7	372	5.1	4.0	348	5.1	4.6	301	5.1	5.5	255	5.1	6.1	228	5.1																																																																																																																																																						
7.8	179	4				8.9	156	4		10	135	4	12		118	4		13	104				4				15			90		4	0.15	9155		5.1	0.16	8534		5.1	0.19	7460	5.1	0.20	6993	5.1		0.23	6171	5.1	0.25	5624	5.1	0.29		4849	5.1	0.31	4520	5.1	0.35	3951	5.1		0.38	3704	5.1	0.43	3268	5.1		0.48	2898	5.1	0.56	2463	5.1	0.54	2598	5.1	0.58	2383	5.1	0.69	2029	5.1	0.79	1749	5.1	0.85	1630	5.1	0.98	1425	5.1	1.0	1336	5.1	1.2	1179	5.1	1.3	1074	5.1	1.5	927	5.1	1.6	863	5.1	1.8	755	5.1	2.5	546	5.1	2.8	502	5.1	3.2	429	5.1	3.7	372	5.1	4.0	348	5.1	4.6	301	5.1	5.5	255	5.1	6.1	228	5.1	0.16	8595	4.7	GR37R17 GRF37R17	0.12	0.16	8480	6.7	0.19	7411	4.7			0.20	6907	4.7	0.23	6038	4.7			0.27	5206	4.7	0.30	4651	4.7	0.34	4065	4.7			0.38	3658	4.7	0.44			3154	4.7	0.50	2757	4.7	0.58			2409	4.7	0.66	2106	4.7	0.76			1818	4.7	0.88	1576	4.7	1.0	1359	4.7	1.1	1267	4.7	1.3	1098	4.7	1.4	970			4.7	1.7			839	4.7	1.9	740	4.7	2.1	653	4.7	2.4	577	4.7	2.8	498	4.7	3.2	439	4.7	3.7	378	4.7	4.2	328	4.7	0.10	1074	5.1	1.5	927	5.1	1.6	863	5.1	1.8	755	5.1	2.5	546	5.1	2.8	502	5.1	3.2	429	5.1	3.7	372	5.1	4.0	348	5.1	4.6	301	5.1	5.5	255	5.1	6.1	228	5.1	0.10	13598	5.1	0.11	12472	5.1	0.13	10619	5.1	0.15	9155	5.1	0.16	8534	5.1	0.19	7460	5.1	0.20	6993	5.1	0.23	6171	5.1	0.25	5624	5.1	0.29	4849	5.1	0.31	4520	5.1	0.35	3951	5.1	0.38	3704	5.1	0.43	3268	5.1	0.48	2898	5.1	0.56	2463	5.1	0.54	2598	5.1	0.58	2383	5.1	0.69	2029	5.1	0.79	1749	5.1	0.85	1630	5.1	0.98	1425	5.1	1.0	1336	5.1	1.2	1179	5.1	1.3	1074	5.1	1.5	927	5.1	1.6	863	5.1	1.8	755	5.1	2.5	546	5.1	2.8	502	5.1	3.2	429	5.1	3.7	372	5.1	4.0	348	5.1	4.6	301	5.1	5.5	255	5.1	6.1	228	5.1	0.10	13598	5.1	0.11	12472	5.1	0.13	10619	5.1	0.15	9155	5.1	0.16	8534	5.1	0.19	7460	5.1	0.20	6993	5.1	0.23	6171	5.1	0.25	5624	5.1	0.29	4849	5.1	0.31	4520	5.1	0.35	3951	5.1	0.38	3704	5.1	0.43	3268	5.1	0.48	2898	5.1	0.56	2463	5.1	0.54	2598	5.1	0.58	2383	5.1	0.69	2029	5.1	0.79	1749	5.1	0.85	1630	5.1	0.98	1425	5.1	1.0	1336	5.1	1.2	1179	5.1	1.3	1074	5.1	1.5	927	5.1	1.6	863	5.1	1.8	755	5.1	2.5	546	5.1	2.8	502	5.1	3.2	429	5.1	3.7	372	5.1	4.0	348	5.1	4.6	301	5.1	5.5	255	5.1	6.1	228	5.1																																																																																																																																																														
8.9	156	4	10	135		4	12	118		4	13	104	4		15	90		4	0.15				9155				5.1	0.16	8534	5.1		0.19	7460	5.1		0.20	6993	5.1		0.23	6171	5.1	0.25	5624	5.1	0.29		4849	5.1	0.31	4520	5.1	0.35	3951		5.1	0.38	3704	5.1	0.43	3268	5.1	0.48		2898	5.1	0.56	2463	5.1	0.54	2598	5.1	0.58	2383	5.1	0.69	2029	5.1	0.79	1749	5.1	0.85	1630	5.1	0.98	1425	5.1	1.0	1336	5.1	1.2	1179	5.1	1.3	1074	5.1	1.5	927	5.1	1.6	863	5.1	1.8	755	5.1	2.5	546	5.1	2.8	502	5.1	3.2	429	5.1	3.7	372	5.1	4.0	348	5.1	4.6	301	5.1	5.5	255	5.1	6.1	228	5.1	0.16	8595	4.7	GR37R17 GRF37R17	0.12	0.16	8480	6.7	0.19	7411	4.7			0.20	6907	4.7	0.23	6038	4.7			0.27	5206	4.7	0.30	4651	4.7			0.34	4065	4.7	0.38	3658	4.7	0.44	3154	4.7			0.50	2757	4.7	0.58			2409	4.7	0.66	2106	4.7	0.76			1818	4.7	0.88	1576	4.7	1.0			1359	4.7	1.1	1267	4.7	1.3	1098	4.7	1.4	970	4.7	1.7	839	4.7	1.9	740			4.7	2.1	653	4.7	2.4	577	4.7	2.8	498	4.7	3.2	439	4.7	3.7	378	4.7	4.2	328	4.7	0.10	1074	5.1	1.5	927	5.1	1.6	863	5.1	1.8	755	5.1	2.5	546	5.1	2.8	502	5.1	3.2	429	5.1	3.7	372	5.1	4.0	348	5.1	4.6	301	5.1	5.5	255	5.1	6.1	228	5.1	0.10	13598	5.1	0.11	12472	5.1	0.13	10619	5.1	0.15	9155	5.1	0.16	8534	5.1	0.19	7460	5.1	0.20	6993	5.1	0.23	6171	5.1	0.25	5624	5.1	0.29	4849	5.1	0.31	4520	5.1	0.35	3951	5.1	0.38	3704	5.1	0.43	3268	5.1	0.48	2898	5.1	0.56	2463	5.1	0.54	2598	5.1	0.58	2383	5.1	0.69	2029	5.1	0.79	1749	5.1	0.85	1630	5.1	0.98	1425	5.1	1.0	1336	5.1	1.2	1179	5.1	1.3	1074	5.1	1.5	927	5.1	1.6	863	5.1	1.8	755	5.1	2.5	546	5.1	2.8	502	5.1	3.2	429	5.1	3.7	372	5.1	4.0	348	5.1	4.6	301	5.1	5.5	255	5.1	6.1	228	5.1	0.10	13598	5.1	0.11	12472	5.1	0.13	10619	5.1	0.15	9155	5.1	0.16	8534	5.1	0.19	7460	5.1	0.20	6993	5.1	0.23	6171	5.1	0.25	5624	5.1	0.29	4849	5.1	0.31	4520	5.1	0.35	3951	5.1	0.38	3704	5.1	0.43	3268	5.1	0.48	2898	5.1	0.56	2463	5.1	0.54	2598	5.1	0.58	2383	5.1	0.69	2029	5.1	0.79	1749	5.1	0.85	1630	5.1	0.98	1425	5.1	1.0	1336	5.1	1.2	1179	5.1	1.3	1074	5.1	1.5	927	5.1	1.6	863	5.1	1.8	755	5.1	2.5	546	5.1	2.8	502	5.1	3.2	429	5.1	3.7	372	5.1	4.0	348	5.1	4.6	301	5.1	5.5	255	5.1	6.1	228	5.1																																																																																																																																																																						
10	135	4	12	118		4	13	104		4	15	90	4		0.15	9155		5.1	0.16				8534	5.1	0.19		7460	5.1	0.20	6993		5.1	0.23	6171		5.1	0.25	5624		5.1	0.29	4849	5.1	0.31	4520	5.1		0.35	3951	5.1	0.38	3704	5.1	0.43		3268	5.1	0.48	2898	5.1	0.56	2463	5.1	0.54	2598	5.1	0.58	2383	5.1	0.69	2029	5.1	0.79	1749	5.1	0.85	1630	5.1	0.98	1425	5.1	1.0	1336	5.1	1.2	1179	5.1	1.3	1074	5.1	1.5	927	5.1	1.6	863	5.1	1.8	755	5.1	2.5	546	5.1	2.8	502	5.1	3.2	429	5.1	3.7	372	5.1	4.0	348	5.1	4.6	301	5.1	5.5	255	5.1	6.1	228	5.1	0.16	8595	4.7	GR37R17 GRF37R17	0.12	0.16	8480	6.7	0.19			7411	4.7	0.20	6907	4.7	0.23			6038	4.7	0.27	5206	4.7	0.30			4651	4.7	0.34	4065	4.7	0.38			3658	4.7	0.44	3154	4.7	0.50	2757	4.7	0.58			2409	4.7	0.66	2106			4.7	0.76	1818	4.7	0.88	1576			4.7	1.0	1359	4.7	1.1	1267			4.7	1.3	1098	4.7	1.4	970	4.7	1.7	839	4.7	1.9	740	4.7	2.1	653	4.7	2.4	577	4.7	2.8	498	4.7	3.2	439	4.7	3.7	378	4.7	4.2	328	4.7	0.10	1074	5.1	1.5	927	5.1	1.6	863	5.1	1.8	755	5.1	2.5	546	5.1	2.8	502	5.1	3.2	429	5.1	3.7	372	5.1	4.0	348	5.1	4.6	301	5.1	5.5	255	5.1	6.1	228	5.1	0.10	13598	5.1	0.11	12472	5.1	0.13	10619	5.1	0.15	9155	5.1	0.16	8534	5.1	0.19	7460	5.1	0.20	6993	5.1	0.23	6171	5.1	0.25	5624	5.1	0.29	4849	5.1	0.31	4520	5.1	0.35	3951	5.1	0.38	3704	5.1	0.43	3268	5.1	0.48	2898	5.1	0.56	2463	5.1	0.54	2598	5.1	0.58	2383	5.1	0.69	2029	5.1	0.79	1749	5.1	0.85	1630	5.1	0.98	1425	5.1	1.0	1336	5.1	1.2	1179	5.1	1.3	1074	5.1	1.5	927	5.1	1.6	863	5.1	1.8	755	5.1	2.5	546	5.1	2.8	502	5.1	3.2	429	5.1	3.7	372	5.1	4.0	348	5.1	4.6	301	5.1	5.5	255	5.1	6.1	228	5.1	0.10	13598	5.1	0.11	12472	5.1	0.13	10619	5.1	0.15	9155	5.1	0.16	8534	5.1	0.19	7460	5.1	0.20	6993	5.1	0.23	6171	5.1	0.25	5624	5.1	0.29	4849	5.1	0.31	4520	5.1	0.35	3951	5.1	0.38	3704	5.1	0.43	3268	5.1	0.48	2898	5.1	0.56	2463	5.1	0.54	2598	5.1	0.58	2383	5.1	0.69	2029	5.1	0.79	1749	5.1	0.85	1630	5.1	0.98	1425	5.1	1.0	1336	5.1	1.2	1179	5.1	1.3	1074	5.1	1.5	927	5.1	1.6	863	5.1	1.8	755	5.1	2.5	546	5.1	2.8	502	5.1	3.2	429	5.1	3.7	372	5.1	4.0	348	5.1	4.6	301	5.1	5.5	255	5.1	6.1	228	5.1																																																																																																																																																																												
12	118	4	13	104		4	15	90		4	0.15	9155	5.1		0.16	8534		5.1	0.19	7460	5.1		0.20	6993	5.1		0.23	6171	5.1	0.25		5624	5.1	0.29		4849	5.1	0.31		4520	5.1	0.35	3951	5.1	0.38	3704		5.1	0.43	3268	5.1	0.48	2898	5.1	0.56	2463	5.1	0.54	2598	5.1	0.58	2383	5.1	0.69	2029	5.1	0.79	1749	5.1	0.85	1630	5.1	0.98	1425	5.1	1.0	1336	5.1	1.2	1179	5.1	1.3	1074	5.1	1.5	927	5.1	1.6	863	5.1	1.8	755	5.1	2.5	546	5.1	2.8	502	5.1	3.2	429	5.1	3.7	372	5.1	4.0	348	5.1	4.6	301	5.1	5.5	255	5.1	6.1	228	5.1	0.16	8595	4.7	GR37R17 GRF37R17	0.12	0.16	8480	6.7	0.19			7411	4.7	0.20	6907			4.7	0.23	6038	4.7	0.27	5206			4.7	0.30	4651	4.7	0.34	4065			4.7	0.38	3658	4.7	0.44	3154			4.7	0.50	2757	4.7	0.58	2409	4.7	0.66	2106			4.7	0.76	1818	4.7			0.88	1576	4.7	1.0	1359	4.7			1.1	1267	4.7	1.3	1098	4.7			1.4	970	4.7	1.7	839	4.7	1.9	740	4.7	2.1	653	4.7	2.4	577	4.7	2.8	498	4.7	3.2	439	4.7	3.7	378	4.7	4.2	328	4.7	0.10	1074	5.1	1.5	927	5.1	1.6	863	5.1	1.8	755	5.1	2.5	546	5.1	2.8	502	5.1	3.2	429	5.1	3.7	372	5.1	4.0	348	5.1	4.6	301	5.1	5.5	255	5.1	6.1	228	5.1	0.10	13598	5.1	0.11	12472	5.1	0.13	10619	5.1	0.15	9155	5.1	0.16	8534	5.1	0.19	7460	5.1	0.20	6993	5.1	0.23	6171	5.1	0.25	5624	5.1	0.29	4849	5.1	0.31	4520	5.1	0.35	3951	5.1	0.38	3704	5.1	0.43	3268	5.1	0.48	2898	5.1	0.56	2463	5.1	0.54	2598	5.1	0.58	2383	5.1	0.69	2029	5.1	0.79	1749	5.1	0.85	1630	5.1	0.98	1425	5.1	1.0	1336	5.1	1.2	1179	5.1	1.3	1074	5.1	1.5	927	5.1	1.6	863	5.1	1.8	755	5.1	2.5	546	5.1	2.8	502	5.1	3.2	429	5.1	3.7	372	5.1	4.0	348	5.1	4.6	301	5.1	5.5	255	5.1	6.1	228	5.1	0.10	13598	5.1	0.11	12472	5.1	0.13	10619	5.1	0.15	9155	5.1	0.16	8534	5.1	0.19	7460	5.1	0.20	6993	5.1	0.23	6171	5.1	0.25	5624	5.1	0.29	4849	5.1	0.31	4520	5.1	0.35	3951	5.1	0.38	3704	5.1	0.43	3268	5.1	0.48	2898	5.1	0.56	2463	5.1	0.54	2598	5.1	0.58	2383	5.1	0.69	2029	5.1	0.79	1749	5.1	0.85	1630	5.1	0.98	1425	5.1	1.0	1336	5.1	1.2	1179	5.1	1.3	1074	5.1	1.5	927	5.1	1.6	863	5.1	1.8	755	5.1	2.5	546	5.1	2.8	502	5.1	3.2	429	5.1	3.7	372	5.1	4.0	348	5.1	4.6	301	5.1	5.5	255	5.1	6.1	228	5.1																																																																																																																																																																																
13	104	4	15	90		4	0.15	9155		5.1	0.16	8534	5.1		0.19	7460		5.1	0.20	6993	5.1		0.23	6171	5.1		0.25	5624	5.1	0.29		4849	5.1	0.31		4520	5.1	0.35		3951	5.1	0.38	3704	5.1	0.43	3268	5.1	0.48	2898	5.1	0.56	2463	5.1	0.54	2598	5.1	0.58	2383	5.1	0.69	2029	5.1	0.79	1749	5.1	0.85	1630	5.1	0.98	1425	5.1	1.0	1336	5.1	1.2	1179	5.1	1.3	1074	5.1	1.5	927	5.1	1.6	863	5.1	1.8	755	5.1	2.5	546	5.1	2.8	502	5.1	3.2	429	5.1	3.7	372	5.1	4.0	348	5.1	4.6	301	5.1	5.5	255	5.1	6.1	228	5.1	0.16	8595	4.7	GR37R17 GRF37R17	0.12	0.16	8480			6.7	0.19	7411	4.7			0.20	6907	4.7	0.23			6038	4.7	0.27	5206	4.7	0.30			4651	4.7	0.34	4065	4.7	0.38			3658	4.7	0.44	3154	4.7	0.50			2757	4.7	0.58	2409	4.7	0.66	2106	4.7	0.76			1818	4.7	0.88	1576			4.7	1.0	1359	4.7	1.1	1267			4.7	1.3	1098	4.7	1.4	970	4.7	1.7	839	4.7	1.9	740	4.7	2.1	653	4.7	2.4	577	4.7	2.8	498	4.7	3.2	439	4.7	3.7	378	4.7	4.2	328	4.7	0.10	1074	5.1	1.5	927	5.1	1.6	863	5.1	1.8	755	5.1	2.5	546	5.1	2.8	502	5.1	3.2	429	5.1	3.7	372	5.1	4.0	348	5.1	4.6	301	5.1	5.5	255	5.1	6.1	228	5.1	0.10	13598	5.1	0.11	12472	5.1	0.13	10619	5.1	0.15	9155	5.1	0.16	8534	5.1	0.19	7460	5.1	0.20	6993	5.1	0.23	6171	5.1	0.25	5624	5.1	0.29	4849	5.1	0.31	4520	5.1	0.35	3951	5.1	0.38	3704	5.1	0.43	3268	5.1	0.48	2898	5.1	0.56	2463	5.1	0.54	2598	5.1	0.58	2383	5.1	0.69	2029	5.1	0.79	1749	5.1	0.85	1630	5.1	0.98	1425	5.1	1.0	1336	5.1	1.2	1179	5.1	1.3	1074	5.1	1.5	927	5.1	1.6	863	5.1	1.8	755	5.1	2.5	546	5.1	2.8	502	5.1	3.2	429	5.1	3.7	372	5.1	4.0	348	5.1	4.6	301	5.1	5.5	255	5.1	6.1	228	5.1	0.10	13598	5.1	0.11	12472	5.1	0.13	10619	5.1	0.15	9155	5.1	0.16	8534	5.1	0.19	7460	5.1	0.20	6993	5.1	0.23	6171	5.1	0.25	5624	5.1	0.29	4849	5.1	0.31	4520	5.1	0.35	3951	5.1	0.38	3704	5.1	0.43	3268	5.1	0.48	2898	5.1	0.56	2463	5.1	0.54	2598	5.1	0.58	2383	5.1	0.69	2029	5.1	0.79	1749	5.1	0.85	1630	5.1	0.98	1425	5.1	1.0	1336	5.1	1.2	1179	5.1	1.3	1074	5.1	1.5	927	5.1	1.6	863	5.1	1.8	755	5.1	2.5	546	5.1	2.8	502	5.1	3.2	429	5.1	3.7	372	5.1	4.0	348	5.1	4.6	301	5.1	5.5	255	5.1	6.1	228	5.1																																																																																																																																																																																				
15	90	4	0.15	9155		5.1	0.16	8534		5.1	0.19	7460	5.1		0.20	6993		5.1	0.23	6171	5.1		0.25	5624	5.1		0.29	4849	5.1	0.31		4520	5.1	0.35		3951	5.1	0.38	3704	5.1	0.43	3268	5.1	0.48	2898	5.1	0.56	2463	5.1	0.54	2598	5.1	0.58	2383	5.1	0.69	2029	5.1	0.79	1749	5.1	0.85	1630	5.1	0.98	1425	5.1	1.0	1336	5.1	1.2	1179	5.1	1.3	1074	5.1	1.5	927	5.1	1.6	863	5.1	1.8	755	5.1	2.5	546	5.1	2.8	502	5.1	3.2	429	5.1	3.7	372	5.1	4.0	348	5.1	4.6	301	5.1	5.5	255	5.1	6.1	228	5.1	0.16	8595	4.7	GR37R17 GRF37R17	0.12	0.16	8480			6.7	0.19			7411	4.7	0.20	6907			4.7	0.23	6038	4.7			0.27	5206	4.7	0.30	4651	4.7			0.34	4065	4.7	0.38	3658	4.7			0.44	3154	4.7	0.50	2757	4.7			0.58	2409	4.7	0.66	2106	4.7	0.76	1818	4.7			0.88	1576	4.7	1.0			1359	4.7	1.1	1267	4.7	1.3	1098	4.7	1.4	970	4.7	1.7	839	4.7	1.9	740	4.7	2.1	653	4.7	2.4	577	4.7	2.8	498	4.7	3.2	439	4.7	3.7	378	4.7	4.2	328	4.7	0.10	1074	5.1	1.5	927	5.1	1.6	863	5.1	1.8	755	5.1	2.5	546	5.1	2.8	502	5.1	3.2	429	5.1	3.7	372	5.1	4.0	348	5.1	4.6	301	5.1	5.5	255	5.1	6.1	228	5.1	0.10	13598	5.1	0.11	12472	5.1	0.13	10619	5.1	0.15	9155	5.1	0.16	8534	5.1	0.19	7460	5.1	0.20	6993	5.1	0.23	6171	5.1	0.25	5624	5.1	0.29	4849	5.1	0.31	4520	5.1	0.35	3951	5.1	0.38	3704	5.1	0.43	3268	5.1	0.48	2898	5.1	0.56	2463	5.1	0.54	2598	5.1	0.58	2383	5.1	0.69	2029	5.1	0.79	1749	5.1	0.85	1630	5.1	0.98	1425	5.1	1.0	1336	5.1	1.2	1179	5.1	1.3	1074	5.1	1.5	927	5.1	1.6	863	5.1	1.8	755	5.1	2.5	546	5.1	2.8	502	5.1	3.2	429	5.1	3.7	372	5.1	4.0	348	5.1	4.6	301	5.1	5.5	255	5.1	6.1	228	5.1	0.10	13598	5.1	0.11	12472	5.1	0.13	10619	5.1	0.15	9155	5.1	0.16	8534	5.1	0.19	7460	5.1	0.20	6993	5.1	0.23	6171	5.1	0.25	5624	5.1	0.29	4849	5.1	0.31	4520	5.1	0.35	3951	5.1	0.38	3704	5.1	0.43	3268	5.1	0.48	2898	5.1	0.56	2463	5.1	0.54	2598	5.1	0.58	2383	5.1	0.69	2029	5.1	0.79	1749	5.1	0.85	1630	5.1	0.98	1425	5.1	1.0	1336	5.1	1.2	1179	5.1	1.3	1074	5.1	1.5	927	5.1	1.6	863	5.1	1.8	755	5.1	2.5	546	5.1	2.8	502	5.1	3.2	429	5.1	3.7	372	5.1	4.0	348	5.1	4.6	301	5.1	5.5	255	5.1	6.1	228	5.1																																																																																																																																																																																								
0.15	9155	5.1	0.16	8534		5.1	0.19	7460		5.1	0.20	6993	5.1		0.23	6171		5.1	0.25	5624	5.1		0.29	4849	5.1		0.31	4520	5.1	0.35		3951	5.1	0.38	3704	5.1	0.43	3268	5.1	0.48	2898	5.1	0.56	2463	5.1	0.54	2598	5.1	0.58	2383	5.1	0.69	2029	5.1	0.79	1749	5.1	0.85	1630	5.1	0.98	1425	5.1	1.0	1336	5.1	1.2	1179	5.1	1.3	1074	5.1	1.5	927	5.1	1.6	863	5.1	1.8	755	5.1	2.5	546	5.1	2.8	502	5.1	3.2	429	5.1	3.7	372	5.1	4.0	348	5.1	4.6	301	5.1	5.5	255	5.1	6.1	228	5.1	0.16	8595	4.7	GR37R17 GRF37R17	0.12	0.16	8480			6.7	0.19			7411	4.7			0.20	6907	4.7	0.23			6038	4.7	0.27	5206			4.7	0.30	4651	4.7	0.34	4065			4.7	0.38	3658	4.7	0.44	3154			4.7	0.50	2757	4.7	0.58	2409			4.7	0.66	2106	4.7	0.76	1818	4.7	0.88	1576			4.7	1.0	1359	4.7	1.1	1267	4.7	1.3	1098	4.7	1.4	970	4.7	1.7	839	4.7	1.9	740	4.7	2.1	653	4.7	2.4	577	4.7	2.8	498	4.7	3.2	439	4.7	3.7	378	4.7	4.2	328	4.7	0.10	1074	5.1	1.5	927	5.1	1.6	863	5.1	1.8	755	5.1	2.5	546	5.1	2.8	502	5.1	3.2	429	5.1	3.7	372	5.1	4.0	348	5.1	4.6	301	5.1	5.5	255	5.1	6.1	228	5.1	0.10	13598	5.1	0.11	12472	5.1	0.13	10619	5.1	0.15	9155	5.1	0.16	8534	5.1	0.19	7460	5.1	0.20	6993	5.1	0.23	6171	5.1	0.25	5624	5.1	0.29	4849	5.1	0.31	4520	5.1	0.35	3951	5.1	0.38	3704	5.1	0.43	3268	5.1	0.48	2898	5.1	0.56	2463	5.1	0.54	2598	5.1	0.58	2383	5.1	0.69	2029	5.1	0.79	1749	5.1	0.85	1630	5.1	0.98	1425	5.1	1.0	1336	5.1	1.2	1179	5.1	1.3	1074	5.1	1.5	927	5.1	1.6	863	5.1	1.8	755	5.1	2.5	546	5.1	2.8	502	5.1	3.2	429	5.1	3.7	372	5.1	4.0	348	5.1	4.6	301	5.1	5.5	255	5.1	6.1	228	5.1	0.10	13598	5.1	0.11	12472	5.1	0.13	10619	5.1	0.15	9155	5.1	0.16	8534	5.1	0.19	7460	5.1	0.20	6993	5.1	0.23	6171	5.1	0.25	5624	5.1	0.29	4849	5.1	0.31	4520	5.1	0.35	3951	5.1	0.38	3704	5.1	0.43	3268	5.1	0.48	2898	5.1	0.56	2463	5.1	0.54	2598	5.1	0.58	2383	5.1	0.69	2029	5.1	0.79	1749	5.1	0.85	1630	5.1	0.98	1425	5.1	1.0	1336	5.1	1.2	1179	5.1	1.3	1074	5.1	1.5	927	5.1	1.6	863	5.1	1.8	755	5.1	2.5	546	5.1	2.8	502	5.1	3.2	429	5.1	3.7	372	5.1	4.0	348	5.1	4.6	301	5.1	5.5	255	5.1	6.1	228	5.1																																																																																																																																																																																												
0.16	8534	5.1	0.19	7460		5.1	0.20	6993		5.1	0.23	6171	5.1		0.25	5624		5.1	0.29	4849	5.1		0.31	4520	5.1		0.35	3951	5.1	0.38	3704	5.1	0.43	3268	5.1	0.48	2898	5.1	0.56	2463	5.1	0.54	2598	5.1	0.58	2383	5.1	0.69	2029	5.1	0.79	1749	5.1	0.85	1630	5.1	0.98	1425	5.1	1.0	1336	5.1	1.2	1179	5.1	1.3	1074	5.1	1.5	927	5.1	1.6	863	5.1	1.8	755	5.1	2.5	546	5.1	2.8	502	5.1	3.2	429	5.1	3.7	372	5.1	4.0	348	5.1	4.6	301	5.1	5.5	255	5.1	6.1	228	5.1	0.16	8595	4.7	GR37R17 GRF37R17	0.12	0.16	8480			6.7	0.19			7411	4.7			0.20	6907			4.7	0.23	6038	4.7			0.27	5206	4.7	0.30			4651	4.7	0.34	4065	4.7	0.38			3658	4.7	0.44	3154	4.7	0.50			2757	4.7	0.58	2409	4.7	0.66			2106	4.7	0.76	1818	4.7	0.88	1576	4.7	1.0	1359	4.7	1.1	1267	4.7	1.3	1098	4.7	1.4	970	4.7	1.7	839	4.7	1.9	740	4.7	2.1	653	4.7	2.4	577	4.7	2.8	498	4.7	3.2	439	4.7	3.7	378	4.7	4.2	328	4.7	0.10	1074	5.1	1.5	927	5.1	1.6	863	5.1	1.8	755	5.1	2.5	546	5.1	2.8	502	5.1	3.2	429	5.1	3.7	372	5.1	4.0	348	5.1	4.6	301	5.1	5.5	255	5.1	6.1	228	5.1	0.10	13598	5.1	0.11	12472	5.1	0.13	10619	5.1	0.15	9155	5.1	0.16	8534	5.1	0.19	7460	5.1	0.20	6993	5.1	0.23	6171	5.1	0.25	5624	5.1	0.29	4849	5.1	0.31	4520	5.1	0.35	3951	5.1	0.38	3704	5.1	0.43	3268	5.1	0.48	2898	5.1	0.56	2463	5.1	0.54	2598	5.1	0.58	2383	5.1	0.69	2029	5.1	0.79	1749	5.1	0.85	1630	5.1	0.98	1425	5.1	1.0	1336	5.1	1.2	1179	5.1	1.3	1074	5.1	1.5	927	5.1	1.6	863	5.1	1.8	755	5.1	2.5	546	5.1	2.8	502	5.1	3.2	429	5.1	3.7	372	5.1	4.0	348	5.1	4.6	301	5.1	5.5	255	5.1	6.1	228	5.1	0.10	13598	5.1	0.11	12472	5.1	0.13	10619	5.1	0.15	9155	5.1	0.16	8534	5.1	0.19	7460	5.1	0.20	6993	5.1	0.23	6171	5.1	0.25	5624	5.1	0.29	4849	5.1	0.31	4520	5.1	0.35	3951	5.1	0.38	3704	5.1	0.43	3268	5.1	0.48	2898	5.1	0.56	2463	5.1	0.54	2598	5.1	0.58	2383	5.1	0.69	2029	5.1	0.79	1749	5.1	0.85	1630	5.1	0.98	1425	5.1	1.0	1336	5.1	1.2	1179	5.1	1.3	1074	5.1	1.5	927	5.1	1.6	863	5.1	1.8	755	5.1	2.5	546	5.1	2.8	502	5.1	3.2	429	5.1	3.7	372	5.1	4.0	348	5.1	4.6	301	5.1	5.5	255	5.1	6.1	228	5.1																																																																																																																																																																																																
0.19	7460	5.1	0.20	6993		5.1	0.23	6171		5.1	0.25	5624	5.1		0.29	4849		5.1	0.31	4520	5.1		0.35	3951	5.1	0.38	3704	5.1	0.43	3268	5.1	0.48	2898	5.1	0.56	2463	5.1	0.54	2598	5.1	0.58	2383	5.1	0.69	2029	5.1	0.79	1749	5.1	0.85	1630	5.1	0.98	1425	5.1	1.0	1336	5.1	1.2	1179	5.1	1.3	1074	5.1	1.5	927	5.1	1.6	863	5.1	1.8	755	5.1	2.5	546	5.1	2.8	502	5.1	3.2	429	5.1	3.7	372	5.1	4.0	348	5.1	4.6	301	5.1	5.5	255	5.1	6.1	228	5.1	0.16	8595	4.7	GR37R17 GRF37R17	0.12	0.16	8480			6.7	0.19			7411	4.7			0.20	6907			4.7	0.23			6038	4.7	0.27	5206			4.7	0.30	4651	4.7			0.34	4065	4.7	0.38	3658	4.7			0.44	3154	4.7	0.50	2757	4.7			0.58	2409	4.7	0.66	2106	4.7	0.76	1818	4.7	0.88	1576	4.7	1.0	1359	4.7	1.1	1267	4.7	1.3	1098	4.7	1.4	970	4.7	1.7	839	4.7	1.9	740	4.7	2.1	653	4.7	2.4	577	4.7	2.8	498	4.7	3.2	439	4.7	3.7	378	4.7	4.2	328	4.7	0.10	1074	5.1	1.5	927	5.1	1.6	863	5.1	1.8	755	5.1	2.5	546	5.1	2.8	502	5.1	3.2	429	5.1	3.7	372	5.1	4.0	348	5.1	4.6	301	5.1	5.5	255	5.1	6.1	228	5.1	0.10	13598	5.1	0.11	12472	5.1	0.13	10619	5.1	0.15	9155	5.1	0.16	8534	5.1	0.19	7460	5.1	0.20	6993	5.1	0.23	6171	5.1	0.25	5624	5.1	0.29	4849	5.1	0.31	4520	5.1	0.35	3951	5.1	0.38	3704	5.1	0.43	3268	5.1	0.48	2898	5.1	0.56	2463	5.1	0.54	2598	5.1	0.58	2383	5.1	0.69	2029	5.1	0.79	1749	5.1	0.85	1630	5.1	0.98	1425	5.1	1.0	1336	5.1	1.2	1179	5.1	1.3	1074	5.1	1.5	927	5.1	1.6	863	5.1	1.8	755	5.1	2.5	546	5.1	2.8	502	5.1	3.2	429	5.1	3.7	372	5.1	4.0	348	5.1	4.6	301	5.1	5.5	255	5.1	6.1	228	5.1	0.10	13598	5.1	0.11	12472	5.1	0.13	10619	5.1	0.15	9155	5.1	0.16	8534	5.1	0.19	7460	5.1	0.20	6993	5.1	0.23	6171	5.1	0.25	5624	5.1	0.29	4849	5.1	0.31	4520	5.1	0.35	3951	5.1	0.38	3704	5.1	0.43	3268	5.1	0.48	2898	5.1	0.56	2463	5.1	0.54	2598	5.1	0.58	2383	5.1	0.69	2029	5.1	0.79	1749	5.1	0.85	1630	5.1	0.98	1425	5.1	1.0	1336	5.1	1.2	1179	5.1	1.3	1074	5.1	1.5	927	5.1	1.6	863	5.1	1.8	755	5.1	2.5	546	5.1	2.8	502	5.1	3.2	429	5.1	3.7	372	5.1	4.0	348	5.1	4.6	301	5.1	5.5	255	5.1	6.1	228	5.1																																																																																																																																																																																																				
0.20	6993	5.1	0.23	6171		5.1	0.25	5624		5.1	0.29	4849	5.1		0.31	4520		5.1	0.35	3951	5.1	0.38	3704	5.1	0.43	3268	5.1	0.48	2898	5.1	0.56	2463	5.1	0.54	2598	5.1	0.58	2383	5.1	0.69	2029	5.1	0.79	1749	5.1	0.85	1630	5.1	0.98	1425	5.1	1.0	1336	5.1	1.2	1179	5.1	1.3	1074	5.1	1.5	927	5.1	1.6	863	5.1	1.8	755	5.1	2.5	546	5.1	2.8	502	5.1	3.2	429	5.1	3.7	372	5.1	4.0	348	5.1	4.6	301	5.1	5.5	255	5.1	6.1	228	5.1	0.16	8595	4.7	GR37R17 GRF37R17	0.12	0.16	8480			6.7	0.19			7411	4.7			0.20	6907			4.7	0.23			6038	4.7			0.27	5206	4.7	0.30			4651	4.7	0.34	4065			4.7	0.38	3658	4.7	0.44	3154			4.7	0.50	2757	4.7	0.58	2409	4.7	0.66	2106	4.7	0.76	1818	4.7	0.88	1576	4.7	1.0	1359	4.7	1.1	1267	4.7	1.3	1098	4.7	1.4	970	4.7	1.7	839	4.7	1.9	740	4.7	2.1	653	4.7	2.4	577	4.7	2.8	498	4.7	3.2	439	4.7	3.7	378	4.7	4.2	328	4.7	0.10	1074	5.1	1.5	927	5.1	1.6	863	5.1	1.8	755	5.1	2.5	546	5.1	2.8	502	5.1	3.2	429	5.1	3.7	372	5.1	4.0	348	5.1	4.6	301	5.1	5.5	255	5.1	6.1	228	5.1	0.10	13598	5.1	0.11	12472	5.1	0.13	10619	5.1	0.15	9155	5.1	0.16	8534	5.1	0.19	7460	5.1	0.20	6993	5.1	0.23	6171	5.1	0.25	5624	5.1	0.29	4849	5.1	0.31	4520	5.1	0.35	3951	5.1	0.38	3704	5.1	0.43	3268	5.1	0.48	2898	5.1	0.56	2463	5.1	0.54	2598	5.1	0.58	2383	5.1	0.69	2029	5.1	0.79	1749	5.1	0.85	1630	5.1	0.98	1425	5.1	1.0	1336	5.1	1.2	1179	5.1	1.3	1074	5.1	1.5	927	5.1	1.6	863	5.1	1.8	755	5.1	2.5	546	5.1	2.8	502	5.1	3.2	429	5.1	3.7	372	5.1	4.0	348	5.1	4.6	301	5.1	5.5	255	5.1	6.1	228	5.1	0.10	13598	5.1	0.11	12472	5.1	0.13	10619	5.1	0.15	9155	5.1	0.16	8534	5.1	0.19	7460	5.1	0.20	6993	5.1	0.23	6171	5.1	0.25	5624	5.1	0.29	4849	5.1	0.31	4520	5.1	0.35	3951	5.1	0.38	3704	5.1	0.43	3268	5.1	0.48	2898	5.1	0.56	2463	5.1	0.54	2598	5.1	0.58	2383	5.1	0.69	2029	5.1	0.79	1749	5.1	0.85	1630	5.1	0.98	1425	5.1	1.0	1336	5.1	1.2	1179	5.1	1.3	1074	5.1	1.5	927	5.1	1.6	863	5.1	1.8	755	5.1	2.5	546	5.1	2.8	502	5.1	3.2	429	5.1	3.7	372	5.1	4.0	348	5.1	4.6	301	5.1	5.5	255	5.1	6.1	228	5.1																																																																																																																																																																																																								
0.23	6171	5.1	0.25	5624		5.1	0.29	4849		5.1	0.31	4520	5.1		0.35	3951	5.1	0.38	3704	5.1	0.43	3268	5.1	0.48	2898	5.1	0.56	2463	5.1	0.54	2598	5.1	0.58	2383	5.1	0.69	2029	5.1	0.79	1749	5.1	0.85	1630	5.1	0.98	1425	5.1	1.0	1336	5.1	1.2	1179	5.1	1.3	1074	5.1	1.5	927	5.1	1.6	863	5.1	1.8	755	5.1	2.5	546	5.1	2.8	502	5.1	3.2	429	5.1	3.7	372	5.1	4.0	348	5.1	4.6	301	5.1	5.5	255	5.1	6.1	228	5.1	0.16	8595	4.7	GR37R17 GRF37R17	0.12	0.16	8480			6.7	0.19			7411	4.7			0.20	6907			4.7	0.23			6038	4.7			0.27	5206			4.7	0.30	4651	4.7			0.34	4065	4.7	0.38			3658	4.7	0.44	3154	4.7	0.50	2757	4.7	0.58	2409	4.7	0.66	2106	4.7	0.76	1818	4.7	0.88	1576	4.7	1.0	1359	4.7	1.1	1267	4.7	1.3	1098	4.7	1.4	970	4.7	1.7	839	4.7	1.9	740	4.7	2.1	653	4.7	2.4	577	4.7	2.8	498	4.7	3.2	439	4.7	3.7	378	4.7	4.2	328	4.7	0.10	1074	5.1	1.5	927	5.1	1.6	863	5.1	1.8	755	5.1	2.5	546	5.1	2.8	502	5.1	3.2	429	5.1	3.7	372	5.1	4.0	348	5.1	4.6	301	5.1	5.5	255	5.1	6.1	228	5.1	0.10	13598	5.1	0.11	12472	5.1	0.13	10619	5.1	0.15	9155	5.1	0.16	8534	5.1	0.19	7460	5.1	0.20	6993	5.1	0.23	6171	5.1	0.25	5624	5.1	0.29	4849	5.1	0.31	4520	5.1	0.35	3951	5.1	0.38	3704	5.1	0.43	3268	5.1	0.48	2898	5.1	0.56	2463	5.1	0.54	2598	5.1	0.58	2383	5.1	0.69	2029	5.1	0.79	1749	5.1	0.85	1630	5.1	0.98	1425	5.1	1.0	1336	5.1	1.2	1179	5.1	1.3	1074	5.1	1.5	927	5.1	1.6	863	5.1	1.8	755	5.1	2.5	546	5.1	2.8	502	5.1	3.2	429	5.1	3.7	372	5.1	4.0	348	5.1	4.6	301	5.1	5.5	255	5.1	6.1	228	5.1	0.10	13598	5.1	0.11	12472	5.1	0.13	10619	5.1	0.15	9155	5.1	0.16	8534	5.1	0.19	7460	5.1	0.20	6993	5.1	0.23	6171	5.1	0.25	5624	5.1	0.29	4849	5.1	0.31	4520	5.1	0.35	3951	5.1	0.38	3704	5.1	0.43	3268	5.1	0.48	2898	5.1	0.56	2463	5.1	0.54	2598	5.1	0.58	2383	5.1	0.69	2029	5.1	0.79	1749	5.1	0.85	1630	5.1	0.98	1425	5.1	1.0	1336	5.1	1.2	1179	5.1	1.3	1074	5.1	1.5	927	5.1	1.6	863	5.1	1.8	755	5.1	2.5	546	5.1	2.8	502	5.1	3.2	429	5.1	3.7	372	5.1	4.0	348	5.1	4.6	301	5.1	5.5	255	5.1	6.1	228	5.1																																																																																																																																																																																																												
0.25	5624	5.1	0.29	4849		5.1	0.31	4520		5.1	0.35	3951	5.1	0.38	3704	5.1	0.43	3268	5.1	0.48	2898	5.1	0.56	2463	5.1	0.54	2598	5.1	0.58	2383	5.1	0.69	2029	5.1	0.79	1749	5.1	0.85	1630	5.1	0.98	1425	5.1	1.0	1336	5.1	1.2	1179	5.1	1.3	1074	5.1	1.5	927	5.1	1.6	863	5.1	1.8	755	5.1	2.5	546	5.1	2.8	502	5.1	3.2	429	5.1	3.7	372	5.1	4.0	348	5.1	4.6	301	5.1	5.5	255	5.1	6.1	228	5.1	0.16	8595	4.7	GR37R17 GRF37R17	0.12	0.16	8480			6.7	0.19			7411	4.7			0.20	6907			4.7	0.23			6038	4.7			0.27	5206			4.7	0.30			4651	4.7	0.34	4065			4.7	0.38	3658	4.7	0.44	3154	4.7	0.50	2757	4.7	0.58	2409	4.7	0.66	2106	4.7	0.76	1818	4.7	0.88	1576	4.7	1.0	1359	4.7	1.1	1267	4.7	1.3	1098	4.7	1.4	970	4.7	1.7	839	4.7	1.9	740	4.7	2.1	653	4.7	2.4	577	4.7	2.8	498	4.7	3.2	439	4.7	3.7	378	4.7	4.2	328	4.7	0.10	1074	5.1	1.5	927	5.1	1.6	863	5.1	1.8	755	5.1	2.5	546	5.1	2.8	502	5.1	3.2	429	5.1	3.7	372	5.1	4.0	348	5.1	4.6	301	5.1	5.5	255	5.1	6.1	228	5.1	0.10	13598	5.1	0.11	12472	5.1	0.13	10619	5.1	0.15	9155	5.1	0.16	8534	5.1	0.19	7460	5.1	0.20	6993	5.1	0.23	6171	5.1	0.25	5624	5.1	0.29	4849	5.1	0.31	4520	5.1	0.35	3951	5.1	0.38	3704	5.1	0.43	3268	5.1	0.48	2898	5.1	0.56	2463	5.1	0.54	2598	5.1	0.58	2383	5.1	0.69	2029	5.1	0.79	1749	5.1	0.85	1630	5.1	0.98	1425	5.1	1.0	1336	5.1	1.2	1179	5.1	1.3	1074	5.1	1.5	927	5.1	1.6	863	5.1	1.8	755	5.1	2.5	546	5.1	2.8	502	5.1	3.2	429	5.1	3.7	372	5.1	4.0	348	5.1	4.6	301	5.1	5.5	255	5.1	6.1	228	5.1	0.10	13598	5.1	0.11	12472	5.1	0.13	10619	5.1	0.15	9155	5.1	0.16	8534	5.1	0.19	7460	5.1	0.20	6993	5.1	0.23	6171	5.1	0.25	5624	5.1	0.29	4849	5.1	0.31	4520	5.1	0.35	3951	5.1	0.38	3704	5.1	0.43	3268	5.1	0.48	2898	5.1	0.56	2463	5.1	0.54	2598	5.1	0.58	2383	5.1	0.69	2029	5.1	0.79	1749	5.1	0.85	1630	5.1	0.98	1425	5.1	1.0	1336	5.1	1.2	1179	5.1	1.3	1074	5.1	1.5	927	5.1	1.6	863	5.1	1.8	755	5.1	2.5	546	5.1	2.8	502	5.1	3.2	429	5.1	3.7	372	5.1	4.0	348	5.1	4.6	301	5.1	5.5	255	5.1	6.1	228	5.1																																																																																																																																																																																																																
0.29	4849	5.1	0.31	4520		5.1	0.35	3951	5.1	0.38	3704	5.1	0.43	3268	5.1	0.48	2898	5.1	0.56	2463	5.1	0.54	2598	5.1	0.58	2383	5.1	0.69	2029	5.1	0.79	1749	5.1	0.85	1630	5.1	0.98	1425	5.1	1.0	1336	5.1	1.2	1179	5.1	1.3	1074	5.1	1.5	927	5.1	1.6	863	5.1	1.8	755	5.1	2.5	546	5.1	2.8	502	5.1	3.2	429	5.1	3.7	372	5.1	4.0	348	5.1	4.6	301	5.1	5.5	255	5.1	6.1	228	5.1	0.16	8595	4.7	GR37R17 GRF37R17	0.12	0.16	8480			6.7	0.19			7411	4.7			0.20	6907			4.7	0.23			6038	4.7			0.27	5206			4.7	0.30			4651	4.7			0.34	4065	4.7	0.38	3658	4.7	0.44	3154	4.7	0.50	2757	4.7	0.58	2409	4.7	0.66	2106	4.7	0.76	1818	4.7	0.88	1576	4.7	1.0	1359	4.7	1.1	1267	4.7	1.3	1098	4.7	1.4	970	4.7	1.7	839	4.7	1.9	740	4.7	2.1	653	4.7	2.4	577	4.7	2.8	498	4.7	3.2	439	4.7	3.7	378	4.7	4.2	328	4.7	0.10	1074	5.1	1.5	927	5.1	1.6	863	5.1	1.8	755	5.1	2.5	546	5.1	2.8	502	5.1	3.2	429	5.1	3.7	372	5.1	4.0	348	5.1	4.6	301	5.1	5.5	255	5.1	6.1	228	5.1	0.10	13598	5.1	0.11	12472	5.1	0.13	10619	5.1	0.15	9155	5.1	0.16	8534	5.1	0.19	7460	5.1	0.20	6993	5.1	0.23	6171	5.1	0.25	5624	5.1	0.29	4849	5.1	0.31	4520	5.1	0.35	3951	5.1	0.38	3704	5.1	0.43	3268	5.1	0.48	2898	5.1	0.56	2463	5.1	0.54	2598	5.1	0.58	2383	5.1	0.69	2029	5.1	0.79	1749	5.1	0.85	1630	5.1	0.98	1425	5.1	1.0	1336	5.1	1.2	1179	5.1	1.3	1074	5.1	1.5	927	5.1	1.6	863	5.1	1.8	755	5.1	2.5	546	5.1	2.8	502	5.1	3.2	429	5.1	3.7	372	5.1	4.0	348	5.1	4.6	301	5.1	5.5	255	5.1	6.1	228	5.1	0.10	13598	5.1	0.11	12472	5.1	0.13	10619	5.1	0.15	9155	5.1	0.16	8534	5.1	0.19	7460	5.1	0.20	6993	5.1	0.23	6171	5.1	0.25	5624	5.1	0.29	4849	5.1	0.31	4520	5.1	0.35	3951	5.1	0.38	3704	5.1	0.43	3268	5.1	0.48	2898	5.1	0.56	2463	5.1	0.54	2598	5.1	0.58	2383	5.1	0.69	2029	5.1	0.79	1749	5.1	0.85	1630	5.1	0.98	1425	5.1	1.0	1336	5.1	1.2	1179	5.1	1.3	1074	5.1	1.5	927	5.1	1.6	863	5.1	1.8	755	5.1	2.5	546	5.1	2.8	502	5.1	3.2	429	5.1	3.7	372	5.1	4.0	348	5.1	4.6	301	5.1	5.5	255	5.1	6.1	228	5.1																																																																																																																																																																																																																				
0.31	4520	5.1	0.35	3951	5.1	0.38	3704	5.1	0.43	3268	5.1	0.48	2898	5.1	0.56	2463	5.1	0.54	2598	5.1	0.58	2383	5.1	0.69	2029	5.1	0.79	1749	5.1	0.85	1630	5.1	0.98	1425	5.1	1.0	1336	5.1	1.2	1179	5.1	1.3	1074	5.1	1.5	927	5.1	1.6	863	5.1	1.8	755	5.1	2.5	546	5.1	2.8	502	5.1	3.2	429	5.1	3.7	372	5.1	4.0	348	5.1	4.6	301	5.1	5.5	255	5.1	6.1	228	5.1	0.16	8595	4.7	GR37R17 GRF37R17	0.12	0.16	8480			6.7	0.19			7411	4.7			0.20	6907			4.7	0.23			6038	4.7			0.27	5206			4.7	0.30			4651	4.7			0.34	4065	4.7	0.38	3658	4.7	0.44	3154	4.7	0.50	2757	4.7	0.58	2409	4.7	0.66	2106	4.7	0.76	1818	4.7	0.88	1576	4.7	1.0	1359	4.7	1.1	1267	4.7	1.3	1098	4.7	1.4	970	4.7	1.7	839	4.7	1.9	740	4.7	2.1	653	4.7	2.4	577	4.7	2.8	498	4.7	3.2	439	4.7	3.7	378	4.7	4.2	328	4.7	0.10	1074	5.1	1.5	927	5.1	1.6	863	5.1	1.8	755	5.1	2.5	546	5.1	2.8	502	5.1	3.2	429	5.1	3.7	372	5.1	4.0	348	5.1	4.6	301	5.1	5.5	255	5.1	6.1	228	5.1	0.10	13598	5.1	0.11	12472	5.1	0.13	10619	5.1	0.15	9155	5.1	0.16	8534	5.1	0.19	7460	5.1	0.20	6993	5.1	0.23	6171	5.1	0.25	5624	5.1	0.29	4849	5.1	0.31	4520	5.1	0.35	3951	5.1	0.38	3704	5.1	0.43	3268	5.1	0.48	2898	5.1	0.56	2463	5.1	0.54	2598	5.1	0.58	2383	5.1	0.69	2029	5.1	0.79	1749	5.1	0.85	1630	5.1	0.98	1425	5.1	1.0	1336	5.1	1.2	1179	5.1	1.3	1074	5.1	1.5	927	5.1	1.6	863	5.1	1.8	755	5.1	2.5	546	5.1	2.8	502	5.1	3.2	429	5.1	3.7	372	5.1	4.0	348	5.1	4.6	301	5.1	5.5	255	5.1	6.1	228	5.1	0.10	13598	5.1	0.11	12472	5.1	0.13	10619	5.1	0.15	9155	5.1	0.16	8534	5.1	0.19	7460	5.1	0.20	6993	5.1	0.23	6171	5.1	0.25	5624	5.1	0.29	4849	5.1	0.31	4520	5.1	0.35	3951	5.1	0.38	3704	5.1	0.43	3268	5.1	0.48	2898	5.1	0.56	2463	5.1	0.54	2598	5.1	0.58	2383	5.1	0.69	2029	5.1	0.79	1749	5.1	0.85	1630	5.1	0.98	1425	5.1	1.0	1336	5.1	1.2	1179	5.1	1.3	1074	5.1	1.5	927	5.1	1.6	863	5.1	1.8	755	5.1	2.5	546	5.1	2.8	502	5.1	3.2	429	5.1	3.7	372	5.1	4.0	348	5.1	4.6	301	5.1	5.5	255	5.1	6.1	228	5.1																																																																																																																																																																																																																								
0.35	3951	5.1	0.38	3704	5.1	0.43	3268	5.1	0.48	2898	5.1	0.56	2463	5.1	0.54	2598	5.1	0.58	2383	5.1	0.69	2029	5.1	0.79	1749	5.1	0.85	1630	5.1	0.98	1425	5.1	1.0	1336	5.1	1.2	1179	5.1	1.3	1074	5.1	1.5	927	5.1	1.6	863	5.1	1.8	755	5.1	2.5	546	5.1	2.8	502	5.1	3.2	429	5.1	3.7	372	5.1	4.0	348	5.1	4.6	301	5.1	5.5	255	5.1	6.1	228	5.1	0.16	8595	4.7	GR37R17 GRF37R17	0.12	0.16			8480	6.7			0.19	7411			4.7	0.20			6907	4.7			0.23	6038			4.7	0.27			5206	4.7			0.30	4651			4.7	0.34	4065	4.7	0.38	3658	4.7	0.44	3154	4.7	0.50	2757	4.7	0.58	2409	4.7	0.66	2106	4.7	0.76	1818	4.7	0.88	1576	4.7	1.0	1359	4.7	1.1	1267	4.7	1.3	1098	4.7	1.4	970	4.7	1.7	839	4.7	1.9	740	4.7	2.1	653	4.7	2.4	577	4.7	2.8	498	4.7	3.2	439	4.7	3.7	378	4.7	4.2	328	4.7	0.10	1074	5.1	1.5	927	5.1	1.6	863	5.1	1.8	755	5.1	2.5	546	5.1	2.8	502	5.1	3.2	429	5.1	3.7	372	5.1	4.0	348	5.1	4.6	301	5.1	5.5	255	5.1	6.1	228	5.1	0.10	13598	5.1	0.11	12472	5.1	0.13	10619	5.1	0.15	9155	5.1	0.16	8534	5.1	0.19	7460	5.1	0.20	6993	5.1	0.23	6171	5.1	0.25	5624	5.1	0.29	4849	5.1	0.31	4520	5.1	0.35	3951	5.1	0.38	3704	5.1	0.43	3268	5.1	0.48	2898	5.1	0.56	2463	5.1	0.54	2598	5.1	0.58	2383	5.1	0.69	2029	5.1	0.79	1749	5.1	0.85	1630	5.1	0.98	1425	5.1	1.0	1336	5.1	1.2	1179	5.1	1.3	1074	5.1	1.5	927	5.1	1.6	863	5.1	1.8	755	5.1	2.5	546	5.1	2.8	502	5.1	3.2	429	5.1	3.7	372	5.1	4.0	348	5.1	4.6	301	5.1	5.5	255	5.1	6.1	228	5.1	0.10	13598	5.1	0.11	12472	5.1	0.13	10619	5.1	0.15	9155	5.1	0.16	8534	5.1	0.19	7460	5.1	0.20	6993	5.1	0.23	6171	5.1	0.25	5624	5.1	0.29	4849	5.1	0.31	4520	5.1	0.35	3951	5.1	0.38	3704	5.1	0.43	3268	5.1	0.48	2898	5.1	0.56	2463	5.1	0.54	2598	5.1	0.58	2383	5.1	0.69	2029	5.1	0.79	1749	5.1	0.85	1630	5.1	0.98	1425	5.1	1.0	1336	5.1	1.2	1179	5.1	1.3	1074	5.1	1.5	927	5.1	1.6	863	5.1	1.8	755	5.1	2.5	546	5.1	2.8	502	5.1	3.2	429	5.1	3.7	372	5.1	4.0	348	5.1	4.6	301	5.1	5.5	255	5.1	6.1	228	5.1																																																																																																																																																																																																																											
0.38	3704	5.1	0.43	3268	5.1	0.48	2898	5.1	0.56	2463	5.1	0.54	2598	5.1	0.58	2383	5.1	0.69	2029	5.1	0.79	1749	5.1	0.85	1630	5.1	0.98	1425	5.1	1.0	1336	5.1	1.2	1179	5.1	1.3	1074	5.1	1.5	927	5.1	1.6	863	5.1	1.8	755	5.1	2.5	546	5.1	2.8	502	5.1	3.2	429	5.1	3.7	372	5.1	4.0	348	5.1	4.6	301	5.1	5.5	255	5.1	6.1	228	5.1	0.16	8595	4.7	GR37R17 GRF37R17	0.12	0.16			8480			6.7	0.19			7411	4.7			0.20	6907			4.7	0.23			6038	4.7			0.27	5206			4.7	0.30			4651	4.7	0.34	4065	4.7	0.38	3658	4.7	0.44	3154	4.7	0.50	2757	4.7	0.58	2409	4.7	0.66	2106	4.7	0.76	1818	4.7	0.88	1576	4.7	1.0	1359	4.7	1.1	1267	4.7	1.3	1098	4.7	1.4	970	4.7	1.7	839	4.7	1.9	740	4.7	2.1	653	4.7	2.4	577	4.7	2.8	498	4.7	3.2	439	4.7	3.7	378	4.7	4.2	328	4.7	0.10	1074	5.1	1.5	927	5.1	1.6	863	5.1	1.8	755	5.1	2.5	546	5.1	2.8	502	5.1	3.2	429	5.1	3.7	372	5.1	4.0	348	5.1	4.6	301	5.1	5.5	255	5.1	6.1	228	5.1	0.10	13598	5.1	0.11	12472	5.1	0.13	10619	5.1	0.15	9155	5.1	0.16	8534	5.1	0.19	7460	5.1	0.20	6993	5.1	0.23	6171	5.1	0.25	5624	5.1	0.29	4849	5.1	0.31	4520	5.1	0.35	3951	5.1	0.38	3704	5.1	0.43	3268	5.1	0.48	2898	5.1	0.56	2463	5.1	0.54	2598	5.1	0.58	2383	5.1	0.69	2029	5.1	0.79	1749	5.1	0.85	1630	5.1	0.98	1425	5.1	1.0	1336	5.1	1.2	1179	5.1	1.3	1074	5.1	1.5	927	5.1	1.6	863	5.1	1.8	755	5.1	2.5	546	5.1	2.8	502	5.1	3.2	429	5.1	3.7	372	5.1	4.0	348	5.1	4.6	301	5.1	5.5	255	5.1	6.1	228	5.1	0.10	13598	5.1	0.11	12472	5.1	0.13	10619	5.1	0.15	9155	5.1	0.16	8534	5.1	0.19	7460	5.1	0.20	6993	5.1	0.23	6171	5.1	0.25	5624	5.1	0.29	4849	5.1	0.31	4520	5.1	0.35	3951	5.1	0.38	3704	5.1	0.43	3268	5.1	0.48	2898	5.1	0.56	2463	5.1	0.54	2598	5.1	0.58	2383	5.1	0.69	2029	5.1	0.79	1749	5.1	0.85	1630	5.1	0.98	1425	5.1	1.0	1336	5.1	1.2	1179	5.1	1.3	1074	5.1	1.5	927	5.1	1.6	863	5.1	1.8	755	5.1	2.5	546	5.1	2.8	502	5.1	3.2	429	5.1	3.7	372	5.1	4.0	348	5.1	4.6	301	5.1	5.5	255	5.1	6.1	228	5.1																																																																																																																																																																																																																														
0.43	3268	5.1	0.48	2898	5.1	0.56	2463	5.1	0.54	2598	5.1	0.58	2383	5.1	0.69	2029	5.1	0.79	1749	5.1	0.85	1630	5.1	0.98	1425	5.1	1.0	1336	5.1	1.2	1179	5.1	1.3	1074	5.1	1.5	927	5.1	1.6	863	5.1	1.8	755	5.1	2.5	546	5.1	2.8	502	5.1	3.2	429	5.1	3.7	372	5.1	4.0	348	5.1	4.6	301	5.1	5.5	255	5.1	6.1	228	5.1	0.16	8595	4.7	GR37R17 GRF37R17	0.12	0.16			8480			6.7			0.19	7411			4.7	0.20			6907	4.7			0.23	6038			4.7	0.27			5206	4.7			0.30	4651	4.7	0.34	4065	4.7	0.38	3658	4.7	0.44	3154	4.7	0.50	2757	4.7	0.58	2409	4.7	0.66	2106	4.7	0.76	1818	4.7	0.88	1576	4.7	1.0	1359	4.7	1.1	1267	4.7	1.3	1098	4.7	1.4	970	4.7	1.7	839	4.7	1.9	740	4.7	2.1	653	4.7	2.4	577	4.7	2.8	498	4.7	3.2	439	4.7	3.7	378	4.7	4.2	328	4.7	0.10	1074	5.1	1.5	927	5.1	1.6	863	5.1	1.8	755	5.1	2.5	546	5.1	2.8	502	5.1	3.2	429	5.1	3.7	372	5.1	4.0	348	5.1	4.6	301	5.1	5.5	255	5.1	6.1	228	5.1	0.10	13598	5.1	0.11	12472	5.1	0.13	10619	5.1	0.15	9155	5.1	0.16	8534	5.1	0.19	7460	5.1	0.20	6993	5.1	0.23	6171	5.1	0.25	5624	5.1	0.29	4849	5.1	0.31	4520	5.1	0.35	3951	5.1	0.38	3704	5.1	0.43	3268	5.1	0.48	2898	5.1	0.56	2463	5.1	0.54	2598	5.1	0.58	2383	5.1	0.69	2029	5.1	0.79	1749	5.1	0.85	1630	5.1	0.98	1425	5.1	1.0	1336	5.1	1.2	1179	5.1	1.3	1074	5.1	1.5	927	5.1	1.6	863	5.1	1.8	755	5.1	2.5	546	5.1	2.8	502	5.1	3.2	429	5.1	3.7	372	5.1	4.0	348	5.1	4.6	301	5.1	5.5	255	5.1	6.1	228	5.1	0.10	13598	5.1	0.11	12472	5.1	0.13	10619	5.1	0.15	9155	5.1	0.16	8534	5.1	0.19	7460	5.1	0.20	6993	5.1	0.23	6171	5.1	0.25	5624	5.1	0.29	4849	5.1	0.31	4520	5.1	0.35	3951	5.1	0.38	3704	5.1	0.43	3268	5.1	0.48	2898	5.1	0.56	2463	5.1	0.54	2598	5.1	0.58	2383	5.1	0.69	2029	5.1	0.79	1749	5.1	0.85	1630	5.1	0.98	1425	5.1	1.0	1336	5.1	1.2	1179	5.1	1.3	1074	5.1	1.5	927	5.1	1.6	863	5.1	1.8	755	5.1	2.5	546	5.1	2.8	502	5.1	3.2	429	5.1	3.7	372	5.1	4.0	348	5.1	4.6	301	5.1	5.5	255	5.1	6.1	228	5.1																																																																																																																																																																																																																																	
0.48	2898	5.1	0.56	2463	5.1	0.54	2598	5.1	0.58	2383	5.1	0.69	2029	5.1	0.79	1749	5.1	0.85	1630	5.1	0.98	1425	5.1	1.0	1336	5.1	1.2	1179	5.1	1.3	1074	5.1	1.5	927	5.1	1.6	863	5.1	1.8	755	5.1	2.5	546	5.1	2.8	502	5.1	3.2	429	5.1	3.7	372	5.1	4.0	348	5.1	4.6	301	5.1	5.5	255	5.1	6.1	228	5.1	0.16	8595	4.7	GR37R17 GRF37R17	0.12	0.16			8480			6.7			0.19			7411	4.7			0.20	6907			4.7	0.23			6038	4.7			0.27	5206			4.7	0.30	4651	4.7	0.34	4065	4.7	0.38	3658	4.7	0.44	3154	4.7	0.50	2757	4.7	0.58	2409	4.7	0.66	2106	4.7	0.76	1818	4.7	0.88	1576	4.7	1.0	1359	4.7	1.1	1267	4.7	1.3	1098	4.7	1.4	970	4.7	1.7	839	4.7	1.9	740	4.7	2.1	653	4.7	2.4	577	4.7	2.8	498	4.7	3.2	439	4.7	3.7	378	4.7	4.2	328	4.7	0.10	1074	5.1	1.5	927	5.1	1.6	863	5.1	1.8	755	5.1	2.5	546	5.1	2.8	502	5.1	3.2	429	5.1	3.7	372	5.1	4.0	348	5.1	4.6	301	5.1	5.5	255	5.1	6.1	228	5.1	0.10	13598	5.1	0.11	12472	5.1	0.13	10619	5.1	0.15	9155	5.1	0.16	8534	5.1	0.19	7460	5.1	0.20	6993	5.1	0.23	6171	5.1	0.25	5624	5.1	0.29	4849	5.1	0.31	4520	5.1	0.35	3951	5.1	0.38	3704	5.1	0.43	3268	5.1	0.48	2898	5.1	0.56	2463	5.1	0.54	2598	5.1	0.58	2383	5.1	0.69	2029	5.1	0.79	1749	5.1	0.85	1630	5.1	0.98	1425	5.1	1.0	1336	5.1	1.2	1179	5.1	1.3	1074	5.1	1.5	927	5.1	1.6	863	5.1	1.8	755	5.1	2.5	546	5.1	2.8	502	5.1	3.2	429	5.1	3.7	372	5.1	4.0	348	5.1	4.6	301	5.1	5.5	255	5.1	6.1	228	5.1	0.10	13598	5.1	0.11	12472	5.1	0.13	10619	5.1	0.15	9155	5.1	0.16	8534	5.1	0.19	7460	5.1	0.20	6993	5.1	0.23	6171	5.1	0.25	5624	5.1	0.29	4849	5.1	0.31	4520	5.1	0.35	3951	5.1	0.38	3704	5.1	0.43	3268	5.1	0.48	2898	5.1	0.56	2463	5.1	0.54	2598	5.1	0.58	2383	5.1	0.69	2029	5.1	0.79	1749	5.1	0.85	1630	5.1	0.98	1425	5.1	1.0	1336	5.1	1.2	1179	5.1	1.3	1074	5.1	1.5	927	5.1	1.6	863	5.1	1.8	755	5.1	2.5	546	5.1	2.8	502	5.1	3.2	429	5.1	3.7	372	5.1	4.0	348	5.1	4.6	301	5.1	5.5	255	5.1	6.1	228	5.1																																																																																																																																																																																																																																				
0.56	2463	5.1	0.54	2598	5.1	0.58	2383	5.1	0.69	2029	5.1	0.79	1749	5.1	0.85	1630	5.1	0.98	1425	5.1	1.0	1336	5.1	1.2	1179	5.1	1.3	1074	5.1	1.5	927	5.1	1.6	863	5.1	1.8	755	5.1	2.5	546	5.1	2.8	502	5.1	3.2	429	5.1	3.7	372	5.1	4.0	348	5.1	4.6	301	5.1	5.5	255	5.1	6.1	228	5.1	0.16	8595	4.7	GR37R17 GRF37R17	0.12	0.16			8480			6.7			0.19			7411			4.7	0.20			6907	4.7			0.23	6038			4.7	0.27			5206	4.7	0.30	4651	4.7	0.34	4065	4.7	0.38	3658	4.7	0.44	3154	4.7	0.50	2757	4.7	0.58	2409	4.7	0.66	2106	4.7	0.76	1818	4.7	0.88	1576	4.7	1.0	1359	4.7	1.1	1267	4.7	1.3	1098	4.7	1.4	970	4.7	1.7	839	4.7	1.9	740	4.7	2.1	653	4.7	2.4	577	4.7	2.8	498	4.7	3.2	439	4.7	3.7	378	4.7	4.2	328	4.7	0.10	1074	5.1	1.5	927	5.1	1.6	863	5.1	1.8	755	5.1	2.5	546	5.1	2.8	502	5.1	3.2	429	5.1	3.7	372	5.1	4.0	348	5.1	4.6	301	5.1	5.5	255	5.1	6.1	228	5.1	0.10	13598	5.1	0.11	12472	5.1	0.13	10619	5.1	0.15	9155	5.1	0.16	8534	5.1	0.19	7460	5.1	0.20	6993	5.1	0.23	6171	5.1	0.25	5624	5.1	0.29	4849	5.1	0.31	4520	5.1	0.35	3951	5.1	0.38	3704	5.1	0.43	3268	5.1	0.48	2898	5.1	0.56	2463	5.1	0.54	2598	5.1	0.58	2383	5.1	0.69	2029	5.1	0.79	1749	5.1	0.85	1630	5.1	0.98	1425	5.1	1.0	1336	5.1	1.2	1179	5.1	1.3	1074	5.1	1.5	927	5.1	1.6	863	5.1	1.8	755	5.1	2.5	546	5.1	2.8	502	5.1	3.2	429	5.1	3.7	372	5.1	4.0	348	5.1	4.6	301	5.1	5.5	255	5.1	6.1	228	5.1	0.10	13598	5.1	0.11	12472	5.1	0.13	10619	5.1	0.15	9155	5.1	0.16	8534	5.1	0.19	7460	5.1	0.20	6993	5.1	0.23	6171	5.1	0.25	5624	5.1	0.29	4849	5.1	0.31	4520	5.1	0.35	3951	5.1	0.38	3704	5.1	0.43	3268	5.1	0.48	2898	5.1	0.56	2463	5.1	0.54	2598	5.1	0.58	2383	5.1	0.69	2029	5.1	0.79	1749	5.1	0.85	1630	5.1	0.98	1425	5.1	1.0	1336	5.1	1.2	1179	5.1	1.3	1074	5.1	1.5	927	5.1	1.6	863	5.1	1.8	755	5.1	2.5	546	5.1	2.8	502	5.1	3.2	429	5.1	3.7	372	5.1	4.0	348	5.1	4.6	301	5.1	5.5	255	5.1	6.1	228	5.1																																																																																																																																																																																																																																							
0.54	2598	5.1	0.58	2383	5.1	0.69	2029	5.1	0.79	1749	5.1	0.85	1630	5.1	0.98	1425	5.1	1.0	1336	5.1	1.2	1179	5.1	1.3	1074	5.1	1.5	927	5.1	1.6	863	5.1	1.8	755	5.1	2.5	546	5.1	2.8	502	5.1	3.2	429	5.1	3.7	372	5.1	4.0	348	5.1	4.6	301	5.1	5.5	255	5.1	6.1	228	5.1	0.16	8595	4.7	GR37R17 GRF37R17	0.12	0.16			8480			6.7			0.19			7411			4.7			0.20	6907			4.7	0.23			6038	4.7			0.27	5206	4.7	0.30	4651	4.7	0.34	4065	4.7	0.38	3658	4.7	0.44	3154	4.7	0.50	2757	4.7	0.58	2409	4.7	0.66	2106	4.7	0.76	1818	4.7	0.88	1576	4.7	1.0	1359	4.7	1.1	1267	4.7	1.3	1098	4.7	1.4	970	4.7	1.7	839	4.7	1.9	740	4.7	2.1	653	4.7	2.4	577	4.7	2.8	498	4.7	3.2	439	4.7	3.7	378	4.7	4.2	328	4.7	0.10	1074	5.1	1.5	927	5.1	1.6	863	5.1	1.8	755	5.1	2.5	546	5.1	2.8	502	5.1	3.2	429	5.1	3.7	372	5.1	4.0	348	5.1	4.6	301	5.1	5.5	255	5.1	6.1	228	5.1	0.10	13598	5.1	0.11	12472	5.1	0.13	10619	5.1	0.15	9155	5.1	0.16	8534	5.1	0.19	7460	5.1	0.20	6993	5.1	0.23	6171	5.1	0.25	5624	5.1	0.29	4849	5.1	0.31	4520	5.1	0.35	3951	5.1	0.38	3704	5.1	0.43	3268	5.1	0.48	2898	5.1	0.56	2463	5.1	0.54	2598	5.1	0.58	2383	5.1	0.69	2029	5.1	0.79	1749	5.1	0.85	1630	5.1	0.98	1425	5.1	1.0	1336	5.1	1.2	1179	5.1	1.3	1074	5.1	1.5	927	5.1	1.6	863	5.1	1.8	755	5.1	2.5	546	5.1	2.8	502	5.1	3.2	429	5.1	3.7	372	5.1	4.0	348	5.1	4.6	301	5.1	5.5	255	5.1	6.1	228	5.1	0.10	13598	5.1	0.11	12472	5.1	0.13	10619	5.1	0.15	9155	5.1	0.16	8534	5.1	0.19	7460	5.1	0.20	6993	5.1	0.23	6171	5.1	0.25	5624	5.1	0.29	4849	5.1	0.31	4520	5.1	0.35	3951	5.1	0.38	3704	5.1	0.43	3268	5.1	0.48	2898	5.1	0.56	2463	5.1	0.54	2598	5.1	0.58	2383	5.1	0.69	2029	5.1	0.79	1749	5.1	0.85	1630	5.1	0.98	1425	5.1	1.0	1336	5.1	1.2	1179	5.1	1.3	1074	5.1	1.5	927	5.1	1.6	863	5.1	1.8	755	5.1	2.5	546	5.1	2.8	502	5.1	3.2	429	5.1	3.7	372	5.1	4.0	348	5.1	4.6	301	5.1	5.5	255	5.1	6.1	228	5.1																																																																																																																																																																																																																																										
0.58	2383	5.1	0.69	2029	5.1	0.79	1749	5.1	0.85	1630	5.1	0.98	1425	5.1	1.0	1336	5.1	1.2	1179	5.1	1.3	1074	5.1	1.5	927	5.1	1.6	863	5.1	1.8	755	5.1	2.5	546	5.1	2.8	502	5.1	3.2	429	5.1	3.7	372	5.1	4.0	348	5.1	4.6	301	5.1	5.5	255	5.1	6.1	228	5.1	0.16	8595	4.7	GR37R17 GRF37R17	0.12	0.16			8480			6.7			0.19			7411			4.7			0.20			6907	4.7			0.23	6038			4.7	0.27	5206	4.7	0.30	4651	4.7	0.34	4065	4.7	0.38	3658	4.7	0.44	3154	4.7	0.50	2757	4.7	0.58	2409	4.7	0.66	2106	4.7	0.76	1818	4.7	0.88	1576	4.7	1.0	1359	4.7	1.1	1267	4.7	1.3	1098	4.7	1.4	970	4.7	1.7	839	4.7	1.9	740	4.7	2.1	653	4.7	2.4	577	4.7	2.8	498	4.7	3.2	439	4.7	3.7	378	4.7	4.2	328	4.7	0.10	1074	5.1	1.5	927	5.1	1.6	863	5.1	1.8	755	5.1	2.5	546	5.1	2.8	502	5.1	3.2	429	5.1	3.7	372	5.1	4.0	348	5.1	4.6	301	5.1	5.5	255	5.1	6.1	228	5.1	0.10	13598	5.1	0.11	12472	5.1	0.13	10619	5.1	0.15	9155	5.1	0.16	8534	5.1	0.19	7460	5.1	0.20	6993	5.1	0.23	6171	5.1	0.25	5624	5.1	0.29	4849	5.1	0.31	4520	5.1	0.35	3951	5.1	0.38	3704	5.1	0.43	3268	5.1	0.48	2898	5.1	0.56	2463	5.1	0.54	2598	5.1	0.58	2383	5.1	0.69	2029	5.1	0.79	1749	5.1	0.85	1630	5.1	0.98	1425	5.1	1.0	1336	5.1	1.2	1179	5.1	1.3	1074	5.1	1.5	927	5.1	1.6	863	5.1	1.8	755	5.1	2.5	546	5.1	2.8	502	5.1	3.2	429	5.1	3.7	372	5.1	4.0	348	5.1	4.6	301	5.1	5.5	255	5.1	6.1	228	5.1	0.10	13598	5.1	0.11	12472	5.1	0.13	10619	5.1	0.15	9155	5.1	0.16	8534	5.1	0.19	7460	5.1	0.20	6993	5.1	0.23	6171	5.1	0.25	5624	5.1	0.29	4849	5.1	0.31	4520	5.1	0.35	3951	5.1	0.38	3704	5.1	0.43	3268	5.1	0.48	2898	5.1	0.56	2463	5.1	0.54	2598	5.1	0.58	2383	5.1	0.69	2029	5.1	0.79	1749	5.1	0.85	1630	5.1	0.98	1425	5.1	1.0	1336	5.1	1.2	1179	5.1	1.3	1074	5.1	1.5	927	5.1	1.6	863	5.1	1.8	755	5.1	2.5	546	5.1	2.8	502	5.1	3.2	429	5.1	3.7	372	5.1	4.0	348	5.1	4.6	301	5.1	5.5	255	5.1	6.1	228	5.1																																																																																																																																																																																																																																													
0.69	2029	5.1	0.79	1749	5.1	0.85	1630	5.1	0.98	1425	5.1	1.0	1336	5.1	1.2	1179	5.1	1.3	1074	5.1	1.5	927	5.1	1.6	863	5.1	1.8	755	5.1	2.5	546	5.1	2.8	502	5.1	3.2	429	5.1	3.7	372	5.1	4.0	348	5.1	4.6	301	5.1	5.5	255	5.1	6.1	228	5.1	0.16	8595	4.7	GR37R17 GRF37R17	0.12	0.16			8480			6.7			0.19			7411			4.7			0.20			6907			4.7	0.23			6038	4.7	0.27	5206	4.7	0.30	4651	4.7	0.34	4065	4.7	0.38	3658	4.7	0.44	3154	4.7	0.50	2757	4.7	0.58	2409	4.7	0.66	2106	4.7	0.76	1818	4.7	0.88	1576	4.7	1.0	1359	4.7	1.1	1267	4.7	1.3	1098	4.7	1.4	970	4.7	1.7	839	4.7	1.9	740	4.7	2.1	653	4.7	2.4	577	4.7	2.8	498	4.7	3.2	439	4.7	3.7	378	4.7	4.2	328	4.7	0.10	1074	5.1	1.5	927	5.1	1.6	863	5.1	1.8	755	5.1	2.5	546	5.1	2.8	502	5.1	3.2	429	5.1	3.7	372	5.1	4.0	348	5.1	4.6	301	5.1	5.5	255	5.1	6.1	228	5.1	0.10	13598	5.1	0.11	12472	5.1	0.13	10619	5.1	0.15	9155	5.1	0.16	8534	5.1	0.19	7460	5.1	0.20	6993	5.1	0.23	6171	5.1	0.25	5624	5.1	0.29	4849	5.1	0.31	4520	5.1	0.35	3951	5.1	0.38	3704	5.1	0.43	3268	5.1	0.48	2898	5.1	0.56	2463	5.1	0.54	2598	5.1	0.58	2383	5.1	0.69	2029	5.1	0.79	1749	5.1	0.85	1630	5.1	0.98	1425	5.1	1.0	1336	5.1	1.2	1179	5.1	1.3	1074	5.1	1.5	927	5.1	1.6	863	5.1	1.8	755	5.1	2.5	546	5.1	2.8	502	5.1	3.2	429	5.1	3.7	372	5.1	4.0	348	5.1	4.6	301	5.1	5.5	255	5.1	6.1	228	5.1	0.10	13598	5.1	0.11	12472	5.1	0.13	10619	5.1	0.15	9155	5.1	0.16	8534	5.1	0.19	7460	5.1	0.20	6993	5.1	0.23	6171	5.1	0.25	5624	5.1	0.29	4849	5.1	0.31	4520	5.1	0.35	3951	5.1	0.38	3704	5.1	0.43	3268	5.1	0.48	2898	5.1	0.56	2463	5.1	0.54	2598	5.1	0.58	2383	5.1	0.69	2029	5.1	0.79	1749	5.1	0.85	1630	5.1	0.98	1425	5.1	1.0	1336	5.1	1.2	1179	5.1	1.3	1074	5.1	1.5	927	5.1	1.6	863	5.1	1.8	755	5.1	2.5	546	5.1	2.8	502	5.1	3.2	429	5.1	3.7	372	5.1	4.0	348	5.1	4.6	301	5.1	5.5	255	5.1	6.1	228	5.1																																																																																																																																																																																																																																																
0.79	1749	5.1	0.85	1630	5.1	0.98	1425	5.1	1.0	1336	5.1	1.2	1179	5.1	1.3	1074	5.1	1.5	927	5.1	1.6	863	5.1	1.8	755	5.1	2.5	546	5.1	2.8	502	5.1	3.2	429	5.1	3.7	372	5.1	4.0	348	5.1	4.6	301	5.1	5.5	255	5.1	6.1	228	5.1	0.16	8595	4.7	GR37R17 GRF37R17	0.12	0.16			8480			6.7			0.19			7411			4.7			0.20			6907			4.7			0.23	6038	4.7	0.27	5206	4.7	0.30	4651	4.7	0.34	4065	4.7	0.38	3658	4.7	0.44	3154	4.7	0.50	2757	4.7	0.58	2409	4.7	0.66	2106	4.7	0.76	1818	4.7	0.88	1576	4.7	1.0	1359	4.7	1.1	1267	4.7	1.3	1098	4.7	1.4	970	4.7	1.7	839	4.7	1.9	740	4.7	2.1	653	4.7	2.4	577	4.7	2.8	498	4.7	3.2	439	4.7	3.7	378	4.7	4.2	328	4.7	0.10	1074	5.1	1.5	927	5.1	1.6	863	5.1	1.8	755	5.1	2.5	546	5.1	2.8	502	5.1	3.2	429	5.1	3.7	372	5.1	4.0	348	5.1	4.6	301	5.1	5.5	255	5.1	6.1	228	5.1	0.10	13598	5.1	0.11	12472	5.1	0.13	10619	5.1	0.15	9155	5.1	0.16	8534	5.1	0.19	7460	5.1	0.20	6993	5.1	0.23	6171	5.1	0.25	5624	5.1	0.29	4849	5.1	0.31	4520	5.1	0.35	3951	5.1	0.38	3704	5.1	0.43	3268	5.1	0.48	2898	5.1	0.56	2463	5.1	0.54	2598	5.1	0.58	2383	5.1	0.69	2029	5.1	0.79	1749	5.1	0.85	1630	5.1	0.98	1425	5.1	1.0	1336	5.1	1.2	1179	5.1	1.3	1074	5.1	1.5	927	5.1	1.6	863	5.1	1.8	755	5.1	2.5	546	5.1	2.8	502	5.1	3.2	429	5.1	3.7	372	5.1	4.0	348	5.1	4.6	301	5.1	5.5	255	5.1	6.1	228	5.1	0.10	13598	5.1	0.11	12472	5.1	0.13	10619	5.1	0.15	9155	5.1	0.16	8534	5.1	0.19	7460	5.1	0.20	6993	5.1	0.23	6171	5.1	0.25	5624	5.1	0.29	4849	5.1	0.31	4520	5.1	0.35	3951	5.1	0.38	3704	5.1	0.43	3268	5.1	0.48	2898	5.1	0.56	2463	5.1	0.54	2598	5.1	0.58	2383	5.1	0.69	2029	5.1	0.79	1749	5.1	0.85	1630	5.1	0.98	1425	5.1	1.0	1336	5.1	1.2	1179	5.1	1.3	1074	5.1	1.5	927	5.1	1.6	863	5.1	1.8	755	5.1	2.5	546	5.1	2.8	502	5.1	3.2	429	5.1	3.7	372	5.1	4.0	348	5.1	4.6	301	5.1	5.5	255	5.1	6.1	228	5.1																																																																																																																																																																																																																																																			
0.85	1630	5.1	0.98	1425	5.1	1.0	1336	5.1	1.2	1179	5.1	1.3	1074	5.1	1.5	927	5.1	1.6	863	5.1	1.8	755	5.1	2.5	546	5.1	2.8	502	5.1	3.2	429	5.1	3.7	372	5.1	4.0	348	5.1	4.6	301	5.1	5.5	255	5.1	6.1	228	5.1	0.16	8595	4.7	GR37R17 GRF37R17	0.12	0.16			8480			6.7			0.19			7411			4.7			0.20			6907			4.7			0.23	6038	4.7	0.27	5206	4.7	0.30	4651	4.7	0.34	4065	4.7	0.38	3658	4.7	0.44	3154	4.7	0.50	2757	4.7	0.58	2409	4.7	0.66	2106	4.7	0.76	1818	4.7	0.88	1576	4.7	1.0	1359	4.7	1.1	1267	4.7	1.3	1098	4.7	1.4	970	4.7	1.7	839	4.7	1.9	740	4.7	2.1	653	4.7	2.4	577	4.7	2.8	498	4.7	3.2	439	4.7	3.7	378	4.7	4.2	328	4.7	0.10	1074	5.1	1.5	927	5.1	1.6	863	5.1	1.8	755	5.1	2.5	546	5.1	2.8	502	5.1	3.2	429	5.1	3.7	372	5.1	4.0	348	5.1	4.6	301	5.1	5.5	255	5.1	6.1	228	5.1	0.10	13598	5.1	0.11	12472	5.1	0.13	10619	5.1	0.15	9155	5.1	0.16	8534	5.1	0.19	7460	5.1	0.20	6993	5.1	0.23	6171	5.1	0.25	5624	5.1	0.29	4849	5.1	0.31	4520	5.1	0.35	3951	5.1	0.38	3704	5.1	0.43	3268	5.1	0.48	2898	5.1	0.56	2463	5.1	0.54	2598	5.1	0.58	2383	5.1	0.69	2029	5.1	0.79	1749	5.1	0.85	1630	5.1	0.98	1425	5.1	1.0	1336	5.1	1.2	1179	5.1	1.3	1074	5.1	1.5	927	5.1	1.6	863	5.1	1.8	755	5.1	2.5	546	5.1	2.8	502	5.1	3.2	429	5.1	3.7	372	5.1	4.0	348	5.1	4.6	301	5.1	5.5	255	5.1	6.1	228	5.1	0.10	13598	5.1	0.11	12472	5.1	0.13	10619	5.1	0.15	9155	5.1	0.16	8534	5.1	0.19	7460	5.1	0.20	6993	5.1	0.23	6171	5.1	0.25	5624	5.1	0.29	4849	5.1	0.31	4520	5.1	0.35	3951	5.1	0.38	3704	5.1	0.43	3268	5.1	0.48	2898	5.1	0.56	2463	5.1	0.54	2598	5.1	0.58	2383	5.1	0.69	2029	5.1	0.79	1749	5.1	0.85	1630	5.1	0.98	1425	5.1	1.0	1336	5.1	1.2	1179	5.1	1.3	1074	5.1	1.5	927	5.1	1.6	863	5.1	1.8	755	5.1	2.5	546	5.1	2.8	502	5.1	3.2	429	5.1	3.7	372	5.1	4.0	348	5.1	4.6	301	5.1	5.5	255	5.1	6.1	228	5.1																																																																																																																																																																																																																																																						
0.98	1425	5.1	1.0	1336	5.1	1.2	1179	5.1	1.3	1074	5.1	1.5	927	5.1	1.6	863	5.1	1.8	755	5.1	2.5	546	5.1	2.8	502	5.1	3.2	429	5.1	3.7	372	5.1	4.0	348	5.1	4.6	301	5.1	5.5	255	5.1	6.1	228	5.1	0.16	8595	4.7	GR37R17 GRF37R17	0.12	0.16			8480			6.7			0.19			7411			4.7			0.20			6907			4.7			0.23	6038	4.7	0.27	5206	4.7	0.30	4651	4.7	0.34	4065	4.7	0.38	3658	4.7	0.44	3154	4.7	0.50	2757	4.7	0.58	2409	4.7	0.66	2106	4.7	0.76	1818	4.7	0.88	1576	4.7	1.0	1359	4.7	1.1	1267	4.7	1.3	1098	4.7	1.4	970	4.7	1.7	839	4.7	1.9	740	4.7	2.1	653	4.7	2.4	577	4.7	2.8	498	4.7	3.2	439	4.7	3.7	378	4.7	4.2	328	4.7	0.10	1074	5.1	1.5	927	5.1	1.6	863	5.1	1.8	755	5.1	2.5	546	5.1	2.8	502	5.1	3.2	429	5.1	3.7	372	5.1	4.0	348	5.1	4.6	301	5.1	5.5	255	5.1	6.1	228	5.1	0.10	13598	5.1	0.11	12472	5.1	0.13	10619	5.1	0.15	9155	5.1	0.16	8534	5.1	0.19	7460	5.1	0.20	6993	5.1	0.23	6171	5.1	0.25	5624	5.1	0.29	4849	5.1	0.31	4520	5.1	0.35	3951	5.1	0.38	3704	5.1	0.43	3268	5.1	0.48	2898	5.1	0.56	2463	5.1	0.54	2598	5.1	0.58	2383	5.1	0.69	2029	5.1	0.79	1749	5.1	0.85	1630	5.1	0.98	1425	5.1	1.0	1336	5.1	1.2	1179	5.1	1.3	1074	5.1	1.5	927	5.1	1.6	863	5.1	1.8	755	5.1	2.5	546	5.1	2.8	502	5.1	3.2	429	5.1	3.7	372	5.1	4.0	348	5.1	4.6	301	5.1	5.5	255	5.1	6.1	228	5.1	0.10	13598	5.1	0.11	12472	5.1	0.13	10619	5.1	0.15	9155	5.1	0.16	8534	5.1	0.19	7460	5.1	0.20	6993	5.1	0.23	6171	5.1	0.25	5624	5.1	0.29	4849	5.1	0.31	4520	5.1	0.35	3951	5.1	0.38	3704	5.1	0.43	3268	5.1	0.48	2898	5.1	0.56	2463	5.1	0.54	2598	5.1	0.58	2383	5.1	0.69	2029	5.1	0.79	1749	5.1	0.85	1630	5.1	0.98	1425	5.1	1.0	1336	5.1	1.2	1179	5.1	1.3	1074	5.1	1.5	927	5.1	1.6	863	5.1	1.8	755	5.1	2.5	546	5.1	2.8	502	5.1	3.2	429	5.1	3.7	372	5.1	4.0	348	5.1	4.6	301	5.1	5.5	255	5.1	6.1	228	5.1																																																																																																																																																																																																																																																									
1.0	1336	5.1	1.2	1179	5.1	1.3	1074	5.1	1.5	927	5.1	1.6	863	5.1	1.8	755	5.1	2.5	546	5.1	2.8	502	5.1	3.2	429	5.1	3.7	372	5.1	4.0	348	5.1	4.6	301	5.1	5.5	255	5.1	6.1	228	5.1	0.16	8595	4.7	GR37R17 GRF37R17	0.12	0.16			8480			6.7			0.19			7411			4.7			0.20			6907			4.7			0.23	6038	4.7	0.27	5206	4.7	0.30	4651	4.7	0.34	4065	4.7	0.38	3658	4.7	0.44	3154	4.7	0.50	2757	4.7	0.58	2409	4.7	0.66	2106	4.7	0.76	1818	4.7	0.88	1576	4.7	1.0	1359	4.7	1.1	1267	4.7	1.3	1098	4.7	1.4	970	4.7	1.7	839	4.7	1.9	740	4.7	2.1	653	4.7	2.4	577	4.7	2.8	498	4.7	3.2	439	4.7	3.7	378	4.7	4.2	328	4.7	0.10	1074	5.1	1.5	927	5.1	1.6	863	5.1	1.8	755	5.1	2.5	546	5.1	2.8	502	5.1	3.2	429	5.1	3.7	372	5.1	4.0	348	5.1	4.6	301	5.1	5.5	255	5.1	6.1	228	5.1	0.10	13598	5.1	0.11	12472	5.1	0.13	10619	5.1	0.15	9155	5.1	0.16	8534	5.1	0.19	7460	5.1	0.20	6993	5.1	0.23	6171	5.1	0.25	5624	5.1	0.29	4849	5.1	0.31	4520	5.1	0.35	3951	5.1	0.38	3704	5.1	0.43	3268	5.1	0.48	2898	5.1	0.56	2463	5.1	0.54	2598	5.1	0.58	2383	5.1	0.69	2029	5.1	0.79	1749	5.1	0.85	1630	5.1	0.98	1425	5.1	1.0	1336	5.1	1.2	1179	5.1	1.3	1074	5.1	1.5	927	5.1	1.6	863	5.1	1.8	755	5.1	2.5	546	5.1	2.8	502	5.1	3.2	429	5.1	3.7	372	5.1	4.0	348	5.1	4.6	301	5.1	5.5	255	5.1	6.1	228	5.1	0.10	13598	5.1	0.11	12472	5.1	0.13	10619	5.1	0.15	9155	5.1	0.16	8534	5.1	0.19	7460	5.1	0.20	6993	5.1	0.23	6171	5.1	0.25	5624	5.1	0.29	4849	5.1	0.31	4520	5.1	0.35	3951	5.1	0.38	3704	5.1	0.43	3268	5.1	0.48	2898	5.1	0.56	2463	5.1	0.54	2598	5.1	0.58	2383	5.1	0.69	2029	5.1	0.79	1749	5.1	0.85	1630	5.1	0.98	1425	5.1	1.0	1336	5.1	1.2	1179	5.1	1.3	1074	5.1	1.5	927	5.1	1.6	863	5.1	1.8	755	5.1	2.5	546	5.1	2.8	502	5.1	3.2	429	5.1	3.7	372	5.1	4.0	348	5.1	4.6	301	5.1	5.5	255	5.1	6.1	228	5.1																																																																																																																																																																																																																																																												
1.2	1179	5.1	1.3	1074	5.1	1.5	927	5.1	1.6	863	5.1	1.8	755	5.1	2.5	546	5.1	2.8	502	5.1	3.2	429	5.1	3.7	372	5.1	4.0	348	5.1	4.6	301	5.1	5.5	255	5.1	6.1	228	5.1	0.16	8595	4.7	GR37R17 GRF37R17	0.12	0.16			8480			6.7			0.19			7411			4.7			0.20			6907			4.7			0.23	6038	4.7	0.27	5206	4.7	0.30	4651	4.7	0.34	4065	4.7	0.38	3658	4.7	0.44	3154	4.7	0.50	2757	4.7	0.58	2409	4.7	0.66	2106	4.7	0.76	1818	4.7	0.88	1576	4.7	1.0	1359	4.7	1.1	1267	4.7	1.3	1098	4.7	1.4	970	4.7	1.7	839	4.7	1.9	740	4.7	2.1	653	4.7	2.4	577	4.7	2.8	498	4.7	3.2	439	4.7	3.7	378	4.7	4.2	328	4.7	0.10	1074	5.1	1.5	927	5.1	1.6	863	5.1	1.8	755	5.1	2.5	546	5.1	2.8	502	5.1	3.2	429	5.1	3.7	372	5.1	4.0	348	5.1	4.6	301	5.1	5.5	255	5.1	6.1	228	5.1	0.10	13598	5.1	0.11	12472	5.1	0.13	10619	5.1	0.15	9155	5.1	0.16	8534	5.1	0.19	7460	5.1	0.20	6993	5.1	0.23	6171	5.1	0.25	5624	5.1	0.29	4849	5.1	0.31	4520	5.1	0.35	3951	5.1	0.38	3704	5.1	0.43	3268	5.1	0.48	2898	5.1	0.56	2463	5.1	0.54	2598	5.1	0.58	2383	5.1	0.69	2029	5.1	0.79	1749	5.1	0.85	1630	5.1	0.98	1425	5.1	1.0	1336	5.1	1.2	1179	5.1	1.3	1074	5.1	1.5	927	5.1	1.6	863	5.1	1.8	755	5.1	2.5	546	5.1	2.8	502	5.1	3.2	429	5.1	3.7	372	5.1	4.0	348	5.1	4.6	301	5.1	5.5	255	5.1	6.1	228	5.1	0.10	13598	5.1	0.11	12472	5.1	0.13	10619	5.1	0.15	9155	5.1	0.16	8534	5.1	0.19	7460	5.1	0.20	6993	5.1	0.23	6171	5.1	0.25	5624	5.1	0.29	4849	5.1	0.31	4520	5.1	0.35	3951	5.1	0.38	3704	5.1	0.43	3268	5.1	0.48	2898	5.1	0.56	2463	5.1	0.54	2598	5.1	0.58	2383	5.1	0.69	2029	5.1	0.79	1749	5.1	0.85	1630	5.1	0.98	1425	5.1	1.0	1336	5.1	1.2	1179	5.1	1.3	1074	5.1	1.5	927	5.1	1.6	863	5.1	1.8	755	5.1	2.5	546	5.1	2.8	502	5.1	3.2	429	5.1	3.7	372	5.1	4.0	348	5.1	4.6	301	5.1	5.5	255	5.1	6.1	228	5.1																																																																																																																																																																																																																																																															
1.3	1074	5.1	1.5	927	5.1	1.6	863	5.1	1.8	755	5.1	2.5	546	5.1	2.8	502	5.1	3.2	429	5.1	3.7	372	5.1	4.0	348	5.1	4.6	301	5.1	5.5	255	5.1	6.1	228	5.1	0.16	8595	4.7	GR37R17 GRF37R17	0.12	0.16			8480			6.7			0.19			7411			4.7			0.20			6907			4.7			0.23	6038	4.7	0.27	5206	4.7	0.30	4651	4.7	0.34	4065	4.7	0.38	3658	4.7	0.44	3154	4.7	0.50	2757	4.7	0.58	2409	4.7	0.66	2106	4.7	0.76	1818	4.7	0.88	1576	4.7	1.0	1359	4.7	1.1	1267	4.7	1.3	1098	4.7	1.4	970	4.7	1.7	839	4.7	1.9	740	4.7	2.1	653	4.7	2.4	577	4.7	2.8	498	4.7	3.2	439	4.7	3.7	378	4.7	4.2	328	4.7	0.10	1074	5.1	1.5	927	5.1	1.6	863	5.1	1.8	755	5.1	2.5	546	5.1	2.8	502	5.1	3.2	429	5.1	3.7	372	5.1	4.0	348	5.1	4.6	301	5.1	5.5	255	5.1	6.1	228	5.1	0.10	13598	5.1	0.11	12472	5.1	0.13	10619	5.1	0.15	9155	5.1	0.16	8534	5.1	0.19	7460	5.1	0.20	6993	5.1	0.23	6171	5.1	0.25	5624	5.1	0.29	4849	5.1	0.31	4520	5.1	0.35	3951	5.1	0.38	3704	5.1	0.43	3268	5.1	0.48	2898	5.1	0.56	2463	5.1	0.54	2598	5.1	0.58	2383	5.1	0.69	2029	5.1	0.79	1749	5.1	0.85	1630	5.1	0.98	1425	5.1	1.0	1336	5.1	1.2	1179	5.1	1.3	1074	5.1	1.5	927	5.1	1.6	863	5.1	1.8	755	5.1	2.5	546	5.1	2.8	502	5.1	3.2	429	5.1	3.7	372	5.1	4.0	348	5.1	4.6	301	5.1	5.5	255	5.1	6.1	228	5.1	0.10	13598	5.1	0.11	12472	5.1	0.13	10619	5.1	0.15	9155	5.1	0.16	8534	5.1	0.19	7460	5.1	0.20	6993	5.1	0.23	6171	5.1	0.25	5624	5.1	0.29	4849	5.1	0.31	4520	5.1	0.35	3951	5.1	0.38	3704	5.1	0.43	3268	5.1	0.48	2898	5.1	0.56	2463	5.1	0.54	2598	5.1	0.58	2383	5.1	0.69	2029	5.1	0.79	1749	5.1	0.85	1630	5.1	0.98	1425	5.1	1.0	1336	5.1	1.2	1179	5.1	1.3	1074	5.1	1.5	927	5.1	1.6	863	5.1	1.8	755	5.1	2.5	546	5.1	2.8	502	5.1	3.2	429	5.1	3.7	372	5.1	4.0	348	5.1	4.6	301	5.1	5.5	255	5.1	6.1	228	5.1																																																																																																																																																																																																																																																																		
1.5	927	5.1	1.6	863	5.1	1.8	755	5.1	2.5	546	5.1	2.8	502	5.1	3.2	429	5.1	3.7	372	5.1	4.0	348	5.1	4.6	301	5.1	5.5	255	5.1	6.1	228	5.1	0.16	8595	4.7	GR37R17 GRF37R17	0.12	0.16			8480			6.7			0.19			7411			4.7			0.20			6907			4.7			0.23	6038	4.7	0.27	5206	4.7	0.30	4651	4.7	0.34	4065	4.7	0.38	3658	4.7	0.44	3154	4.7	0.50	2757	4.7	0.58	2409	4.7	0.66	2106	4.7	0.76	1818	4.7	0.88	1576	4.7	1.0	1359	4.7	1.1	1267	4.7	1.3	1098	4.7	1.4	970	4.7	1.7	839	4.7	1.9	740	4.7	2.1	653	4.7	2.4	577	4.7	2.8	498	4.7	3.2	439	4.7	3.7	378	4.7	4.2	328	4.7	0.10	1074	5.1	1.5	927	5.1	1.6	863	5.1	1.8	755	5.1	2.5	546	5.1	2.8	502	5.1	3.2	429	5.1	3.7	372	5.1	4.0	348	5.1	4.6	301	5.1	5.5	255	5.1	6.1	228	5.1	0.10	13598	5.1	0.11	12472	5.1	0.13	10619	5.1	0.15	9155	5.1	0.16	8534	5.1	0.19	7460	5.1	0.20	6993	5.1	0.23	6171	5.1	0.25	5624	5.1	0.29	4849	5.1	0.31	4520	5.1	0.35	3951	5.1	0.38	3704	5.1	0.43	3268	5.1	0.48	2898	5.1	0.56	2463	5.1	0.54	2598	5.1	0.58	2383	5.1	0.69	2029	5.1	0.79	1749	5.1	0.85	1630	5.1	0.98	1425	5.1	1.0	1336	5.1	1.2	1179	5.1	1.3	1074	5.1	1.5	927	5.1	1.6	863	5.1	1.8	755	5.1	2.5	546	5.1	2.8	502	5.1	3.2	429	5.1	3.7	372	5.1	4.0	348	5.1	4.6	301	5.1	5.5	255	5.1	6.1	228	5.1	0.10	13598	5.1	0.11	12472	5.1	0.13	10619	5.1	0.15	9155	5.1	0.16	8534	5.1	0.19	7460	5.1	0.20	6993	5.1	0.23	6171	5.1	0.25	5624	5.1	0.29	4849	5.1	0.31	4520	5.1	0.35	3951	5.1	0.38	3704	5.1	0.43	3268	5.1	0.48	2898	5.1	0.56	2463	5.1	0.54	2598	5.1	0.58	2383	5.1	0.69	2029	5.1	0.79	1749	5.1	0.85	1630	5.1	0.98	1425	5.1	1.0	1336	5.1	1.2	1179	5.1	1.3	1074	5.1	1.5	927	5.1	1.6	863	5.1	1.8	755	5.1	2.5	546	5.1	2.8	502	5.1	3.2	429	5.1	3.7	372	5.1	4.0	348	5.1	4.6	301	5.1	5.5	255	5.1	6.1	228	5.1																																																																																																																																																																																																																																																																					
1.6	863	5.1	1.8	755	5.1	2.5	546	5.1	2.8	502	5.1	3.2	429	5.1	3.7	372	5.1	4.0	348	5.1	4.6	301	5.1	5.5	255	5.1	6.1	228	5.1	0.16	8595	4.7	GR37R17 GRF37R17	0.12	0.16			8480			6.7			0.19			7411			4.7			0.20			6907			4.7			0.23	6038	4.7	0.27	5206	4.7	0.30	4651	4.7	0.34	4065	4.7	0.38	3658	4.7	0.44	3154	4.7	0.50	2757	4.7	0.58	2409	4.7	0.66	2106	4.7	0.76	1818	4.7	0.88	1576	4.7	1.0	1359	4.7	1.1	1267	4.7	1.3	1098	4.7	1.4	970	4.7	1.7	839	4.7	1.9	740	4.7	2.1	653	4.7	2.4	577	4.7	2.8	498	4.7	3.2	439	4.7	3.7	378	4.7	4.2	328	4.7	0.10	1074	5.1	1.5	927	5.1	1.6	863	5.1	1.8	755	5.1	2.5	546	5.1	2.8	502	5.1	3.2	429	5.1	3.7	372	5.1	4.0	348	5.1	4.6	301	5.1	5.5	255	5.1	6.1	228	5.1	0.10	13598	5.1	0.11	12472	5.1	0.13	10619	5.1	0.15	9155	5.1	0.16	8534	5.1	0.19	7460	5.1	0.20	6993	5.1	0.23	6171	5.1	0.25	5624	5.1	0.29	4849	5.1	0.31	4520	5.1	0.35	3951	5.1	0.38	3704	5.1	0.43	3268	5.1	0.48	2898	5.1	0.56	2463	5.1	0.54	2598	5.1	0.58	2383	5.1	0.69	2029	5.1	0.79	1749	5.1	0.85	1630	5.1	0.98	1425	5.1	1.0	1336	5.1	1.2	1179	5.1	1.3	1074	5.1	1.5	927	5.1	1.6	863	5.1	1.8	755	5.1	2.5	546	5.1	2.8	502	5.1	3.2	429	5.1	3.7	372	5.1	4.0	348	5.1	4.6	301	5.1	5.5	255	5.1	6.1	228	5.1	0.10	13598	5.1	0.11	12472	5.1	0.13	10619	5.1	0.15	9155	5.1	0.16	8534	5.1	0.19	7460	5.1	0.20	6993	5.1	0.23	6171	5.1	0.25	5624	5.1	0.29	4849	5.1	0.31	4520	5.1	0.35	3951	5.1	0.38	3704	5.1	0.43	3268	5.1	0.48	2898	5.1	0.56	2463	5.1	0.54	2598	5.1	0.58	2383	5.1	0.69	2029	5.1	0.79	1749	5.1	0.85	1630	5.1	0.98	1425	5.1	1.0	1336	5.1	1.2	1179	5.1	1.3	1074	5.1	1.5	927	5.1	1.6	863	5.1	1.8	755	5.1	2.5	546	5.1	2.8	502	5.1	3.2	429	5.1	3.7	372	5.1	4.0	348	5.1	4.6	301	5.1	5.5	255	5.1	6.1	228	5.1																																																																																																																																																																																																																																																																								
1.8	755	5.1	2.5	546	5.1	2.8	502	5.1	3.2	429	5.1	3.7	372	5.1	4.0	348	5.1	4.6	301	5.1	5.5	255	5.1	6.1	228	5.1	0.16	8595	4.7	GR37R17 GRF37R17	0.12	0.16			8480			6.7			0.19			7411			4.7			0.20			6907			4.7			0.23	6038	4.7	0.27	5206	4.7	0.30	4651	4.7	0.34	4065	4.7	0.38	3658	4.7	0.44	3154	4.7	0.50	2757	4.7	0.58	2409	4.7	0.66	2106	4.7	0.76	1818	4.7	0.88	1576	4.7	1.0	1359	4.7	1.1	1267	4.7	1.3	1098	4.7	1.4	970	4.7	1.7	839	4.7	1.9	740	4.7	2.1	653	4.7	2.4	577	4.7	2.8	498	4.7	3.2	439	4.7	3.7	378	4.7	4.2	328	4.7	0.10	1074	5.1	1.5	927	5.1	1.6	863	5.1	1.8	755	5.1	2.5	546	5.1	2.8	502	5.1	3.2	429	5.1	3.7	372	5.1	4.0	348	5.1	4.6	301	5.1	5.5	255	5.1	6.1	228	5.1	0.10	13598	5.1	0.11	12472	5.1	0.13	10619	5.1	0.15	9155	5.1	0.16	8534	5.1	0.19	7460	5.1	0.20	6993	5.1	0.23	6171	5.1	0.25	5624	5.1	0.29	4849	5.1	0.31	4520	5.1	0.35	3951	5.1	0.38	3704	5.1	0.43	3268	5.1	0.48	2898	5.1	0.56	2463	5.1	0.54	2598	5.1	0.58	2383	5.1	0.69	2029	5.1	0.79	1749	5.1	0.85	1630	5.1	0.98	1425	5.1	1.0	1336	5.1	1.2	1179	5.1	1.3	1074	5.1	1.5	927	5.1	1.6	863	5.1	1.8	755	5.1	2.5	546	5.1	2.8	502	5.1	3.2	429	5.1	3.7	372	5.1	4.0	348	5.1	4.6	301	5.1	5.5	255	5.1	6.1	228	5.1	0.10	13598	5.1	0.11	12472	5.1	0.13	10619	5.1	0.15	9155	5.1	0.16	8534	5.1	0.19	7460	5.1	0.20	6993	5.1	0.23	6171	5.1	0.25	5624	5.1	0.29	4849	5.1	0.31	4520	5.1	0.35	3951	5.1	0.38	3704	5.1	0.43	3268	5.1	0.48	2898	5.1	0.56	2463	5.1	0.54	2598	5.1	0.58	2383	5.1	0.69	2029	5.1	0.79	1749	5.1	0.85	1630	5.1	0.98	1425	5.1	1.0	1336	5.1	1.2	1179	5.1	1.3	1074	5.1	1.5	927	5.1	1.6	863	5.1	1.8	755	5.1	2.5	546	5.1	2.8	502	5.1	3.2	429	5.1	3.7	372	5.1	4.0	348	5.1	4.6	301	5.1	5.5	255	5.1	6.1	228	5.1																																																																																																																																																																																																																																																																											
2.5	546	5.1	2.8	502	5.1	3.2	429	5.1	3.7	372	5.1	4.0	348	5.1	4.6	301	5.1	5.5	255	5.1	6.1	228	5.1	0.16	8595	4.7	GR37R17 GRF37R17	0.12	0.16			8480			6.7			0.19			7411			4.7			0.20			6907			4.7			0.23	6038	4.7	0.27	5206	4.7	0.30	4651	4.7	0.34	4065	4.7	0.38	3658	4.7	0.44	3154	4.7	0.50	2757	4.7	0.58	2409	4.7	0.66	2106	4.7	0.76	1818	4.7	0.88	1576	4.7	1.0	1359	4.7	1.1	1267	4.7	1.3	1098	4.7	1.4	970	4.7	1.7	839	4.7	1.9	740	4.7	2.1	653	4.7	2.4	577	4.7	2.8	498	4.7	3.2	439	4.7	3.7	378	4.7	4.2	328	4.7	0.10	1074	5.1	1.5	927	5.1	1.6	863	5.1	1.8	755	5.1	2.5	546	5.1	2.8	502	5.1	3.2	429	5.1	3.7	372	5.1	4.0	348	5.1	4.6	301	5.1	5.5	255	5.1	6.1	228	5.1	0.10	13598	5.1	0.11	12472	5.1	0.13	10619	5.1	0.15	9155	5.1	0.16	8534	5.1	0.19	7460	5.1	0.20	6993	5.1	0.23	6171	5.1	0.25	5624	5.1	0.29	4849	5.1	0.31	4520	5.1	0.35	3951	5.1	0.38	3704	5.1	0.43	3268	5.1	0.48	2898	5.1	0.56	2463	5.1	0.54	2598	5.1	0.58	2383	5.1	0.69	2029	5.1	0.79	1749	5.1	0.85	1630	5.1	0.98	1425	5.1	1.0	1336	5.1	1.2	1179	5.1	1.3	1074	5.1	1.5	927	5.1	1.6	863	5.1	1.8	755	5.1	2.5	546	5.1	2.8	502	5.1	3.2	429	5.1	3.7	372	5.1	4.0	348	5.1	4.6	301	5.1	5.5	255	5.1	6.1	228	5.1	0.10	13598	5.1	0.11	12472	5.1	0.13	10619	5.1	0.15	9155	5.1	0.16	8534	5.1	0.19	7460	5.1	0.20	6993	5.1	0.23	6171	5.1	0.25	5624	5.1	0.29	4849	5.1	0.31	4520	5.1	0.35	3951	5.1	0.38	3704	5.1	0.43	3268	5.1	0.48	2898	5.1	0.56	2463	5.1	0.54	2598	5.1	0.58	2383	5.1	0.69	2029	5.1	0.79	1749	5.1	0.85	1630	5.1	0.98	1425	5.1	1.0	1336	5.1	1.2	1179	5.1	1.3	1074	5.1	1.5	927	5.1	1.6	863	5.1	1.8	755	5.1	2.5	546	5.1	2.8	502	5.1	3.2	429	5.1	3.7	372	5.1	4.0	348	5.1	4.6	301	5.1	5.5	255	5.1	6.1	228	5.1																																																																																																																																																																																																																																																																														
2.8	502	5.1	3.2	429	5.1	3.7	372	5.1	4.0	348	5.1	4.6	301	5.1	5.5	255	5.1	6.1	228	5.1	0.16	8595	4.7	GR37R17 GRF37R17	0.12	0.16			8480			6.7			0.19			7411			4.7			0.20			6907			4.7			0.23	6038	4.7	0.27	5206	4.7	0.30	4651	4.7	0.34	4065	4.7	0.38	3658	4.7	0.44	3154	4.7	0.50	2757	4.7	0.58	2409	4.7	0.66	2106	4.7	0.76	1818	4.7	0.88	1576	4.7	1.0	1359	4.7	1.1	1267	4.7	1.3	1098	4.7	1.4	970	4.7	1.7	839	4.7	1.9	740	4.7	2.1	653	4.7	2.4	577	4.7	2.8	498	4.7	3.2	439	4.7	3.7	378	4.7	4.2	328	4.7	0.10	1074	5.1	1.5	927	5.1	1.6	863	5.1	1.8	755	5.1	2.5	546	5.1	2.8	502	5.1	3.2	429	5.1	3.7	372	5.1	4.0	348	5.1	4.6	301	5.1	5.5	255	5.1	6.1	228	5.1	0.10	13598	5.1	0.11	12472	5.1	0.13	10619	5.1	0.15	9155	5.1	0.16	8534	5.1	0.19	7460	5.1	0.20	6993	5.1	0.23	6171	5.1	0.25	5624	5.1	0.29	4849	5.1	0.31	4520	5.1	0.35	3951	5.1	0.38	3704	5.1	0.43	3268	5.1	0.48	2898	5.1	0.56	2463	5.1	0.54	2598	5.1	0.58	2383	5.1	0.69	2029	5.1	0.79	1749	5.1	0.85	1630	5.1	0.98	1425	5.1	1.0	1336	5.1	1.2	1179	5.1	1.3	1074	5.1	1.5	927	5.1	1.6	863	5.1	1.8	755	5.1	2.5	546	5.1	2.8	502	5.1	3.2	429	5.1	3.7	372	5.1	4.0	348	5.1	4.6	301	5.1	5.5	255	5.1	6.1	228	5.1	0.10	13598	5.1	0.11	12472	5.1	0.13	10619	5.1	0.15	9155	5.1	0.16	8534	5.1	0.19	7460	5.1	0.20	6993	5.1	0.23	6171	5.1	0.25	5624	5.1	0.29	4849	5.1	0.31	4520	5.1	0.35	3951	5.1	0.38	3704	5.1	0.43	3268	5.1	0.48	2898	5.1	0.56	2463	5.1	0.54	2598	5.1	0.58	2383	5.1	0.69	2029	5.1	0.79	1749	5.1	0.85	1630	5.1	0.98	1425	5.1	1.0	1336	5.1	1.2	1179	5.1	1.3	1074	5.1	1.5	927	5.1	1.6	863	5.1	1.8	755	5.1	2.5	546	5.1	2.8	502	5.1	3.2	429	5.1	3.7	372	5.1	4.0	348	5.1	4.6	301	5.1	5.5	255	5.1	6.1	228	5.1																																																																																																																																																																																																																																																																																	
3.2	429	5.1	3.7	372	5.1	4.0	348	5.1	4.6	301	5.1	5.5	255	5.1	6.1	228	5.1	0.16	8595	4.7	GR37R17 GRF37R17	0.12	0.16			8480			6.7			0.19			7411			4.7			0.20			6907			4.7			0.23	6038	4.7	0.27	5206	4.7	0.30	4651	4.7	0.34	4065	4.7	0.38	3658	4.7	0.44	3154	4.7	0.50	2757	4.7	0.58	2409	4.7	0.66	2106	4.7	0.76	1818	4.7	0.88	1576	4.7	1.0	1359	4.7	1.1	1267	4.7	1.3	1098	4.7	1.4	970	4.7	1.7	839	4.7	1.9	740	4.7	2.1	653	4.7	2.4	577	4.7	2.8	498	4.7	3.2	439	4.7	3.7	378	4.7	4.2	328	4.7	0.10	1074	5.1	1.5	927	5.1	1.6	863	5.1	1.8	755	5.1	2.5	546	5.1	2.8	502	5.1	3.2	429	5.1	3.7	372	5.1	4.0	348	5.1	4.6	301	5.1	5.5	255	5.1	6.1	228	5.1	0.10	13598	5.1	0.11	12472	5.1	0.13	10619	5.1	0.15	9155	5.1	0.16	8534	5.1	0.19	7460	5.1	0.20	6993	5.1	0.23	6171	5.1	0.25	5624	5.1	0.29	4849	5.1	0.31	4520	5.1	0.35	3951	5.1	0.38	3704	5.1	0.43	3268	5.1	0.48	2898	5.1	0.56	2463	5.1	0.54	2598	5.1	0.58	2383	5.1	0.69	2029	5.1	0.79	1749	5.1	0.85	1630	5.1	0.98	1425	5.1	1.0	1336	5.1	1.2	1179	5.1	1.3	1074	5.1	1.5	927	5.1	1.6	863	5.1	1.8	755	5.1	2.5	546	5.1	2.8	502	5.1	3.2	429	5.1	3.7	372	5.1	4.0	348	5.1	4.6	301	5.1	5.5	255	5.1	6.1	228	5.1	0.10	13598	5.1	0.11	12472	5.1	0.13	10619	5.1	0.15	9155	5.1	0.16	8534	5.1	0.19	7460	5.1	0.20	6993	5.1	0.23	6171	5.1	0.25	5624	5.1	0.29	4849	5.1	0.31	4520	5.1	0.35	3951	5.1	0.38	3704	5.1	0.43	3268	5.1	0.48	2898	5.1	0.56	2463	5.1	0.54	2598	5.1	0.58	2383	5.1	0.69	2029	5.1	0.79	1749	5.1	0.85	1630	5.1	0.98	1425	5.1	1.0	1336	5.1	1.2	1179	5.1	1.3	1074	5.1	1.5	927	5.1	1.6	863	5.1	1.8	755	5.1	2.5	546	5.1	2.8	502	5.1	3.2	429	5.1	3.7	372	5.1	4.0	348	5.1	4.6	301	5.1	5.5	255	5.1	6.1	228	5.1																																																																																																																																																																																																																																																																																				
3.7	372	5.1	4.0	348	5.1	4.6	301	5.1	5.5	255	5.1	6.1	228	5.1	0.16	8595	4.7	GR37R17 GRF37R17	0.12	0.16			8480			6.7			0.19			7411			4.7			0.20			6907			4.7			0.23	6038	4.7	0.27	5206	4.7	0.30	4651	4.7	0.34	4065	4.7	0.38	3658	4.7	0.44	3154	4.7	0.50	2757	4.7	0.58	2409	4.7	0.66	2106	4.7	0.76	1818	4.7	0.88	1576	4.7	1.0	1359	4.7	1.1	1267	4.7	1.3	1098	4.7	1.4	970	4.7	1.7	839	4.7	1.9	740	4.7	2.1	653	4.7	2.4	577	4.7	2.8	498	4.7	3.2	439	4.7	3.7	378	4.7	4.2	328	4.7	0.10	1074	5.1	1.5	927	5.1	1.6	863	5.1	1.8	755	5.1	2.5	546	5.1	2.8	502	5.1	3.2	429	5.1	3.7	372	5.1	4.0	348	5.1	4.6	301	5.1	5.5	255	5.1	6.1	228	5.1	0.10	13598	5.1	0.11	12472	5.1	0.13	10619	5.1	0.15	9155	5.1	0.16	8534	5.1	0.19	7460	5.1	0.20	6993	5.1	0.23	6171	5.1	0.25	5624	5.1	0.29	4849	5.1	0.31	4520	5.1	0.35	3951	5.1	0.38	3704	5.1	0.43	3268	5.1	0.48	2898	5.1	0.56	2463	5.1	0.54	2598	5.1	0.58	2383	5.1	0.69	2029	5.1	0.79	1749	5.1	0.85	1630	5.1	0.98	1425	5.1	1.0	1336	5.1	1.2	1179	5.1	1.3	1074	5.1	1.5	927	5.1	1.6	863	5.1	1.8	755	5.1	2.5	546	5.1	2.8	502	5.1	3.2	429	5.1	3.7	372	5.1	4.0	348	5.1	4.6	301	5.1	5.5	255	5.1	6.1	228	5.1	0.10	13598	5.1	0.11	12472	5.1	0.13	10619	5.1	0.15	9155	5.1	0.16	8534	5.1	0.19	7460	5.1	0.20	6993	5.1	0.23	6171	5.1	0.25	5624	5.1	0.29	4849	5.1	0.31	4520	5.1	0.35	3951	5.1	0.38	3704	5.1	0.43	3268	5.1	0.48	2898	5.1	0.56	2463	5.1	0.54	2598	5.1	0.58	2383	5.1	0.69	2029	5.1	0.79	1749	5.1	0.85	1630	5.1	0.98	1425	5.1	1.0	1336	5.1	1.2	1179	5.1	1.3	1074	5.1	1.5	927	5.1	1.6	863	5.1	1.8	755	5.1	2.5	546	5.1	2.8	502	5.1	3.2	429	5.1	3.7	372	5.1	4.0	348	5.1	4.6	301	5.1	5.5	255	5.1	6.1	228	5.1																																																																																																																																																																																																																																																																																							
4.0	348	5.1	4.6	301	5.1	5.5	255	5.1	6.1	228	5.1	0.16	8595	4.7	GR37R17 GRF37R17	0.12	0.16			8480			6.7			0.19			7411			4.7			0.20			6907			4.7			0.23	6038	4.7	0.27	5206	4.7	0.30	4651	4.7	0.34	4065	4.7	0.38	3658	4.7	0.44	3154	4.7	0.50	2757	4.7	0.58	2409	4.7	0.66	2106	4.7	0.76	1818	4.7	0.88	1576	4.7	1.0	1359	4.7	1.1	1267	4.7	1.3	1098	4.7	1.4	970	4.7	1.7	839	4.7	1.9	740	4.7	2.1	653	4.7	2.4	577	4.7	2.8	498	4.7	3.2	439	4.7	3.7	378	4.7	4.2	328	4.7	0.10	1074	5.1	1.5	927	5.1	1.6	863	5.1	1.8	755	5.1	2.5	546	5.1	2.8	502	5.1	3.2	429	5.1	3.7	372	5.1	4.0	348	5.1	4.6	301	5.1	5.5	255	5.1	6.1	228	5.1	0.10	13598	5.1	0.11	12472	5.1	0.13	10619	5.1	0.15	9155	5.1	0.16	8534	5.1	0.19	7460	5.1	0.20	6993	5.1	0.23	6171	5.1	0.25	5624	5.1	0.29	4849	5.1	0.31	4520	5.1	0.35	3951	5.1	0.38	3704	5.1	0.43	3268	5.1	0.48	2898	5.1	0.56	2463	5.1	0.54	2598	5.1	0.58	2383	5.1	0.69	2029	5.1	0.79	1749	5.1	0.85	1630	5.1	0.98	1425	5.1	1.0	1336	5.1	1.2	1179	5.1	1.3	1074	5.1	1.5	927	5.1	1.6	863	5.1	1.8	755	5.1	2.5	546	5.1	2.8	502	5.1	3.2	429	5.1	3.7	372	5.1	4.0	348	5.1	4.6	301	5.1	5.5	255	5.1	6.1	228	5.1	0.10	13598	5.1	0.11	12472	5.1	0.13	10619	5.1	0.15	9155	5.1	0.16	8534	5.1	0.19	7460	5.1	0.20	6993	5.1	0.23	6171	5.1	0.25	5624	5.1	0.29	4849	5.1	0.31	4520	5.1	0.35	3951	5.1	0.38	3704	5.1	0.43	3268	5.1	0.48	2898	5.1	0.56	2463	5.1	0.54	2598	5.1	0.58	2383	5.1	0.69	2029	5.1	0.79	1749	5.1	0.85	1630	5.1	0.98	1425	5.1	1.0	1336	5.1	1.2	1179	5.1	1.3	1074	5.1	1.5	927	5.1	1.6	863	5.1	1.8	755	5.1	2.5	546	5.1	2.8	502	5.1	3.2	429	5.1	3.7	372	5.1	4.0	348	5.1	4.6	301	5.1	5.5	255	5.1	6.1	228	5.1																																																																																																																																																																																																																																																																																										
4.6	301	5.1	5.5	255	5.1	6.1	228	5.1	0.16	8595	4.7	GR37R17 GRF37R17	0.12	0.16			8480			6.7			0.19			7411			4.7			0.20			6907			4.7			0.23	6038	4.7	0.27	5206	4.7	0.30	4651	4.7	0.34	4065	4.7	0.38	3658	4.7	0.44	3154	4.7	0.50	2757	4.7	0.58	2409	4.7	0.66	2106	4.7	0.76	1818	4.7	0.88	1576	4.7	1.0	1359	4.7	1.1	1267	4.7	1.3	1098	4.7	1.4	970	4.7	1.7	839	4.7	1.9	740	4.7	2.1	653	4.7	2.4	577	4.7	2.8	498	4.7	3.2	439	4.7	3.7	378	4.7	4.2	328	4.7	0.10	1074	5.1	1.5	927	5.1	1.6	863	5.1	1.8	755	5.1	2.5	546	5.1	2.8	502	5.1	3.2	429	5.1	3.7	372	5.1	4.0	348	5.1	4.6	301	5.1	5.5	255	5.1	6.1	228	5.1	0.10	13598	5.1	0.11	12472	5.1	0.13	10619	5.1	0.15	9155	5.1	0.16	8534	5.1	0.19	7460	5.1	0.20	6993	5.1	0.23	6171	5.1	0.25	5624	5.1	0.29	4849	5.1	0.31	4520	5.1	0.35	3951	5.1	0.38	3704	5.1	0.43	3268	5.1	0.48	2898	5.1	0.56	2463	5.1	0.54	2598	5.1	0.58	2383	5.1	0.69	2029	5.1	0.79	1749	5.1	0.85	1630	5.1	0.98	1425	5.1	1.0	1336	5.1	1.2	1179	5.1	1.3	1074	5.1	1.5	927	5.1	1.6	863	5.1	1.8	755	5.1	2.5	546	5.1	2.8	502	5.1	3.2	429	5.1	3.7	372	5.1	4.0	348	5.1	4.6	301	5.1	5.5	255	5.1	6.1	228	5.1	0.10	13598	5.1	0.11	12472	5.1	0.13	10619	5.1	0.15	9155	5.1	0.16	8534	5.1	0.19	7460	5.1	0.20	6993	5.1	0.23	6171	5.1	0.25	5624	5.1	0.29	4849	5.1	0.31	4520	5.1	0.35	3951	5.1	0.38	3704	5.1	0.43	3268	5.1	0.48	2898	5.1	0.56	2463	5.1	0.54	2598	5.1	0.58	2383	5.1	0.69	2029	5.1	0.79	1749	5.1	0.85	1630	5.1	0.98	1425	5.1	1.0	1336	5.1	1.2	1179	5.1	1.3	1074	5.1	1.5	927	5.1	1.6	863	5.1	1.8	755	5.1	2.5	546	5.1	2.8	502	5.1	3.2	429	5.1	3.7	372	5.1	4.0	348	5.1	4.6	301	5.1	5.5	255	5.1	6.1	228	5.1																																																																																																																																																																																																																																																																																													
5.5	255	5.1	6.1	228	5.1	0.16	8595	4.7	GR37R17 GRF37R17	0.12	0.16			8480			6.7			0.19			7411			4.7			0.20			6907			4.7			0.23	6038	4.7	0.27	5206	4.7	0.30	4651	4.7	0.34	4065	4.7	0.38	3658	4.7	0.44	3154	4.7	0.50	2757	4.7	0.58	2409	4.7	0.66	2106	4.7	0.76	1818	4.7	0.88	1576	4.7	1.0	1359	4.7	1.1	1267	4.7	1.3	1098	4.7	1.4	970	4.7	1.7	839	4.7	1.9	740	4.7	2.1	653	4.7	2.4	577	4.7	2.8	498	4.7	3.2	439	4.7	3.7	378	4.7	4.2	328	4.7	0.10	1074	5.1	1.5	927	5.1	1.6	863	5.1	1.8	755	5.1	2.5	546	5.1	2.8	502	5.1	3.2	429	5.1	3.7	372	5.1	4.0	348	5.1	4.6	301	5.1	5.5	255	5.1	6.1	228	5.1	0.10	13598	5.1	0.11	12472	5.1	0.13	10619	5.1	0.15	9155	5.1	0.16	8534	5.1	0.19	7460	5.1	0.20	6993	5.1	0.23	6171	5.1	0.25	5624	5.1	0.29	4849	5.1	0.31	4520	5.1	0.35	3951	5.1	0.38	3704	5.1	0.43	3268	5.1	0.48	2898	5.1	0.56	2463	5.1	0.54	2598	5.1	0.58	2383	5.1	0.69	2029	5.1	0.79	1749	5.1	0.85	1630	5.1	0.98	1425	5.1	1.0	1336	5.1	1.2	1179	5.1	1.3	1074	5.1	1.5	927	5.1	1.6	863	5.1	1.8	755	5.1	2.5	546	5.1	2.8	502	5.1	3.2	429	5.1	3.7	372	5.1	4.0	348	5.1	4.6	301	5.1	5.5	255	5.1	6.1	228	5.1	0.10	13598	5.1	0.11	12472	5.1	0.13	10619	5.1	0.15	9155	5.1	0.16	8534	5.1	0.19	7460	5.1	0.20	6993	5.1	0.23	6171	5.1	0.25	5624	5.1	0.29	4849	5.1	0.31	4520	5.1	0.35	3951	5.1	0.38	3704	5.1	0.43	3268	5.1	0.48	2898	5.1	0.56	2463	5.1	0.54	2598	5.1	0.58	2383	5.1	0.69	2029	5.1	0.79	1749	5.1	0.85	1630	5.1	0.98	1425	5.1	1.0	1336	5.1	1.2	1179	5.1	1.3	1074	5.1	1.5	927	5.1	1.6	863	5.1	1.8	755	5.1	2.5	546	5.1	2.8	502	5.1	3.2	429	5.1	3.7	372	5.1	4.0	348	5.1	4.6	301	5.1	5.5	255	5.1	6.1	228	5.1																																																																																																																																																																																																																																																																																																
6.1	228	5.1	0.16	8595	4.7	GR37R17 GRF37R17	0.12	0.16			8480			6.7			0.19			7411			4.7			0.20			6907			4.7			0.23	6038	4.7	0.27	5206	4.7	0.30	4651	4.7	0.34	4065	4.7	0.38	3658	4.7	0.44	3154	4.7	0.50	2757	4.7	0.58	2409	4.7	0.66	2106	4.7	0.76	1818	4.7	0.88	1576	4.7	1.0	1359	4.7	1.1	1267	4.7	1.3	1098	4.7	1.4	970	4.7	1.7	839	4.7	1.9	740	4.7	2.1	653	4.7	2.4	577	4.7	2.8	498	4.7	3.2	439	4.7	3.7	378	4.7	4.2	328	4.7	0.10	1074	5.1	1.5	927	5.1	1.6	863	5.1	1.8	755	5.1	2.5	546	5.1	2.8	502	5.1	3.2	429	5.1	3.7	372	5.1	4.0	348	5.1	4.6	301	5.1	5.5	255	5.1	6.1	228	5.1	0.10	13598	5.1	0.11	12472	5.1	0.13	10619	5.1	0.15	9155	5.1	0.16	8534	5.1	0.19	7460	5.1	0.20	6993	5.1	0.23	6171	5.1	0.25	5624	5.1	0.29	4849	5.1	0.31	4520	5.1	0.35	3951	5.1	0.38	3704	5.1	0.43	3268	5.1	0.48	2898	5.1	0.56	2463	5.1	0.54	2598	5.1	0.58	2383	5.1	0.69	2029	5.1	0.79	1749	5.1	0.85	1630	5.1	0.98	1425	5.1	1.0	1336	5.1	1.2	1179	5.1	1.3	1074	5.1	1.5	927	5.1	1.6	863	5.1	1.8	755	5.1	2.5	546	5.1	2.8	502	5.1	3.2	429	5.1	3.7	372	5.1	4.0	348	5.1	4.6	301	5.1	5.5	255	5.1	6.1	228	5.1	0.10	13598	5.1	0.11	12472	5.1	0.13	10619	5.1	0.15	9155	5.1	0.16	8534	5.1	0.19	7460	5.1	0.20	6993	5.1	0.23	6171	5.1	0.25	5624	5.1	0.29	4849	5.1	0.31	4520	5.1	0.35	3951	5.1	0.38	3704	5.1	0.43	3268	5.1	0.48	2898	5.1	0.56	2463	5.1	0.54	2598	5.1	0.58	2383	5.1	0.69	2029	5.1	0.79	1749	5.1	0.85	1630	5.1	0.98	1425	5.1	1.0	1336	5.1	1.2	1179	5.1	1.3	1074	5.1	1.5	927	5.1	1.6	863	5.1	1.8	755	5.1	2.5	546	5.1	2.8	502	5.1	3.2	429	5.1	3.7	372	5.1	4.0	348	5.1	4.6	301	5.1	5.5	255	5.1	6.1	228	5.1																																																																																																																																																																																																																																																																																																			
0.16	8595	4.7	GR37R17 GRF37R17	0.12	0.16			8480			6.7			0.19			7411			4.7			0.20			6907			4.7			0.23	6038	4.7	0.27	5206	4.7	0.30	4651	4.7	0.34	4065	4.7	0.38	3658	4.7	0.44	3154	4.7	0.50	2757	4.7	0.58	2409	4.7	0.66	2106	4.7	0.76	1818	4.7	0.88	1576	4.7	1.0	1359	4.7	1.1	1267	4.7	1.3	1098	4.7	1.4	970	4.7	1.7	839	4.7	1.9	740	4.7	2.1	653	4.7	2.4	577	4.7	2.8	498	4.7	3.2	439	4.7	3.7	378	4.7	4.2	328	4.7	0.10	1074	5.1	1.5	927	5.1	1.6	863	5.1	1.8	755	5.1	2.5	546	5.1	2.8	502	5.1	3.2	429	5.1	3.7	372	5.1	4.0	348	5.1	4.6	301	5.1	5.5	255	5.1	6.1	228	5.1	0.10	13598	5.1	0.11	12472	5.1	0.13	10619	5.1	0.15	9155	5.1	0.16	8534	5.1	0.19	7460	5.1	0.20	6993	5.1	0.23	6171	5.1	0.25	5624	5.1	0.29	4849	5.1	0.31	4520	5.1	0.35	3951	5.1	0.38	3704	5.1	0.43	3268	5.1	0.48	2898	5.1	0.56	2463	5.1	0.54	2598	5.1	0.58	2383	5.1	0.69	2029	5.1	0.79	1749	5.1	0.85	1630	5.1	0.98	1425	5.1	1.0	1336	5.1	1.2	1179	5.1	1.3	1074	5.1	1.5	927	5.1	1.6	863	5.1	1.8	755	5.1	2.5	546	5.1	2.8	502	5.1	3.2	429	5.1	3.7	372	5.1	4.0	348	5.1	4.6	301	5.1	5.5	255	5.1	6.1	228	5.1	0.10	13598	5.1	0.11	12472	5.1	0.13	10619	5.1	0.15	9155	5.1	0.16	8534	5.1	0.19	7460	5.1	0.20	6993	5.1	0.23	6171	5.1	0.25	5624	5.1	0.29	4849	5.1	0.31	4520	5.1	0.35	3951	5.1	0.38	3704	5.1	0.43	3268	5.1	0.48	2898	5.1	0.56	2463	5.1	0.54	2598	5.1	0.58	2383	5.1	0.69	2029	5.1	0.79	1749	5.1	0.85	1630	5.1	0.98	1425	5.1	1.0	1336	5.1	1.2	1179	5.1	1.3	1074	5.1	1.5	927	5.1	1.6	863	5.1	1.8	755	5.1	2.5	546	5.1	2.8	502	5.1	3.2	429	5.1	3.7	372	5.1	4.0	348	5.1	4.6	301	5.1	5.5	255	5.1	6.1	228	5.1																																																																																																																																																																																																																																																																																																						
0.19	7411	4.7			0.20			6907			4.7			0.23			6038			4.7			0.27			5206			4.7	0.30	4651	4.7	0.34	4065	4.7	0.38	3658	4.7	0.44	3154	4.7	0.50	2757	4.7	0.58	2409	4.7	0.66	2106	4.7	0.76	1818	4.7	0.88	1576	4.7	1.0	1359	4.7	1.1	1267	4.7	1.3	1098	4.7	1.4	970	4.7	1.7	839	4.7	1.9	740	4.7	2.1	653	4.7	2.4	577	4.7	2.8	498	4.7	3.2	439	4.7	3.7	378	4.7	4.2	328	4.7	0.10	1074	5.1	1.5	927	5.1	1.6	863	5.1	1.8	755	5.1	2.5	546	5.1	2.8	502	5.1	3.2	429	5.1	3.7	372	5.1	4.0	348	5.1	4.6	301	5.1	5.5	255	5.1	6.1	228	5.1	0.10	13598	5.1	0.11	12472	5.1	0.13	10619	5.1	0.15	9155	5.1	0.16	8534	5.1	0.19	7460	5.1	0.20	6993	5.1	0.23	6171	5.1	0.25	5624	5.1	0.29	4849	5.1	0.31	4520	5.1	0.35	3951	5.1	0.38	3704	5.1	0.43	3268	5.1	0.48	2898	5.1	0.56	2463	5.1	0.54	2598	5.1	0.58	2383	5.1	0.69	2029	5.1	0.79	1749	5.1	0.85	1630	5.1	0.98	1425	5.1	1.0	1336	5.1	1.2	1179	5.1	1.3	1074	5.1	1.5	927	5.1	1.6	863	5.1	1.8	755	5.1	2.5	546	5.1	2.8	502	5.1	3.2	429	5.1	3.7	372	5.1	4.0	348	5.1	4.6	301	5.1	5.5	255	5.1	6.1	228	5.1	0.10	13598	5.1	0.11	12472	5.1	0.13	10619	5.1	0.15	9155	5.1	0.16	8534	5.1	0.19	7460	5.1	0.20	6993	5.1	0.23	6171	5.1	0.25	5624	5.1	0.29	4849	5.1	0.31	4520	5.1	0.35	3951	5.1	0.38	3704	5.1	0.43	3268	5.1	0.48	2898	5.1	0.56	2463	5.1	0.54	2598	5.1	0.58	2383	5.1	0.69	2029	5.1	0.79	1749	5.1	0.85	1630	5.1	0.98	1425	5.1	1.0	1336	5.1	1.2	1179	5.1	1.3	1074	5.1	1.5	927	5.1	1.6	863	5.1	1.8	755	5.1	2.5	546	5.1	2.8	502	5.1	3.2	429	5.1	3.7	372	5.1	4.0	348	5.1	4.6	301	5.1	5.5	255	5.1	6.1	228	5.1																																																																																																																																																																																																																																																																																																														
0.20	6907	4.7			0.23			6038			4.7			0.27			5206			4.7			0.30			4651	4.7	0.34	4065	4.7	0.38	3658	4.7	0.44	3154	4.7	0.50	2757	4.7	0.58	2409	4.7	0.66	2106	4.7	0.76	1818	4.7	0.88	1576	4.7	1.0	1359	4.7	1.1	1267	4.7	1.3	1098	4.7	1.4	970	4.7	1.7	839	4.7	1.9	740	4.7	2.1	653	4.7	2.4	577	4.7	2.8	498	4.7	3.2	439	4.7	3.7	378	4.7	4.2	328	4.7	0.10	1074	5.1	1.5	927	5.1	1.6	863	5.1	1.8	755	5.1	2.5	546	5.1	2.8	502	5.1	3.2	429	5.1	3.7	372	5.1	4.0	348	5.1	4.6	301	5.1	5.5	255	5.1	6.1	228	5.1	0.10	13598	5.1	0.11	12472	5.1	0.13	10619	5.1	0.15	9155	5.1	0.16	8534	5.1	0.19	7460	5.1	0.20	6993	5.1	0.23	6171	5.1	0.25	5624	5.1	0.29	4849	5.1	0.31	4520	5.1	0.35	3951	5.1	0.38	3704	5.1	0.43	3268	5.1	0.48	2898	5.1	0.56	2463	5.1	0.54	2598	5.1	0.58	2383	5.1	0.69	2029	5.1	0.79	1749	5.1	0.85	1630	5.1	0.98	1425	5.1	1.0	1336	5.1	1.2	1179	5.1	1.3	1074	5.1	1.5	927	5.1	1.6	863	5.1	1.8	755	5.1	2.5	546	5.1	2.8	502	5.1	3.2	429	5.1	3.7	372	5.1	4.0	348	5.1	4.6	301	5.1	5.5	255	5.1	6.1	228	5.1	0.10	13598	5.1	0.11	12472	5.1	0.13	10619	5.1	0.15	9155	5.1	0.16	8534	5.1	0.19	7460	5.1	0.20	6993	5.1	0.23	6171	5.1	0.25	5624	5.1	0.29	4849	5.1	0.31	4520	5.1	0.35	3951	5.1	0.38	3704	5.1	0.43	3268	5.1	0.48	2898	5.1	0.56	2463	5.1	0.54	2598	5.1	0.58	2383	5.1	0.69	2029	5.1	0.79	1749	5.1	0.85	1630	5.1	0.98	1425	5.1	1.0	1336	5.1	1.2	1179	5.1	1.3	1074	5.1	1.5	927	5.1	1.6	863	5.1	1.8	755	5.1	2.5	546	5.1	2.8	502	5.1	3.2	429	5.1	3.7	372	5.1	4.0	348	5.1	4.6	301	5.1	5.5	255	5.1	6.1	228	5.1																																																																																																																																																																																																																																																																																																																			
0.23	6038	4.7			0.27			5206			4.7			0.30			4651			4.7			0.34	4065	4.7	0.38	3658	4.7	0.44	3154	4.7	0.50	2757	4.7	0.58	2409	4.7	0.66	2106	4.7	0.76	1818	4.7	0.88	1576	4.7	1.0	1359	4.7	1.1	1267	4.7	1.3	1098	4.7	1.4	970	4.7	1.7	839	4.7	1.9	740	4.7	2.1	653	4.7	2.4	577	4.7	2.8	498	4.7	3.2	439	4.7	3.7	378	4.7	4.2	328	4.7	0.10	1074	5.1	1.5	927	5.1	1.6	863	5.1	1.8	755	5.1	2.5	546	5.1	2.8	502	5.1	3.2	429	5.1	3.7	372	5.1	4.0	348	5.1	4.6	301	5.1	5.5	255	5.1	6.1	228	5.1	0.10	13598	5.1	0.11	12472	5.1	0.13	10619	5.1	0.15	9155	5.1	0.16	8534	5.1	0.19	7460	5.1	0.20	6993	5.1	0.23	6171	5.1	0.25	5624	5.1	0.29	4849	5.1	0.31	4520	5.1	0.35	3951	5.1	0.38	3704	5.1	0.43	3268	5.1	0.48	2898	5.1	0.56	2463	5.1	0.54	2598	5.1	0.58	2383	5.1	0.69	2029	5.1	0.79	1749	5.1	0.85	1630	5.1	0.98	1425	5.1	1.0	1336	5.1	1.2	1179	5.1	1.3	1074	5.1	1.5	927	5.1	1.6	863	5.1	1.8	755	5.1	2.5	546	5.1	2.8	502	5.1	3.2	429	5.1	3.7	372	5.1	4.0	348	5.1	4.6	301	5.1	5.5	255	5.1	6.1	228	5.1	0.10	13598	5.1	0.11	12472	5.1	0.13	10619	5.1	0.15	9155	5.1	0.16	8534	5.1	0.19	7460	5.1	0.20	6993	5.1	0.23	6171	5.1	0.25	5624	5.1	0.29	4849	5.1	0.31	4520	5.1	0.35	3951	5.1	0.38	3704	5.1	0.43	3268	5.1	0.48	2898	5.1	0.56	2463	5.1	0.54	2598	5.1	0.58	2383	5.1	0.69	2029	5.1	0.79	1749	5.1	0.85	1630	5.1	0.98	1425	5.1	1.0	1336	5.1	1.2	1179	5.1	1.3	1074	5.1	1.5	927	5.1	1.6	863	5.1	1.8	755	5.1	2.5	546	5.1	2.8	502	5.1	3.2	429	5.1	3.7	372	5.1	4.0	348	5.1	4.6	301	5.1	5.5	255	5.1	6.1	228	5.1																																																																																																																																																																																																																																																																																																																								
0.27	5206	4.7			0.30			4651			4.7			0.34			4065			4.7	0.38	3658	4.7	0.44	3154	4.7	0.50	2757	4.7	0.58	2409	4.7	0.66	2106	4.7	0.76	1818	4.7	0.88	1576	4.7	1.0	1359	4.7	1.1	1267	4.7	1.3	1098	4.7	1.4	970	4.7	1.7	839	4.7	1.9	740	4.7	2.1	653	4.7	2.4	577	4.7	2.8	498	4.7	3.2	439	4.7	3.7	378	4.7	4.2	328	4.7	0.10	1074	5.1	1.5	927	5.1	1.6	863	5.1	1.8	755	5.1	2.5	546	5.1	2.8	502	5.1	3.2	429	5.1	3.7	372	5.1	4.0	348	5.1	4.6	301	5.1	5.5	255	5.1	6.1	228	5.1	0.10	13598	5.1	0.11	12472	5.1	0.13	10619	5.1	0.15	9155	5.1	0.16	8534	5.1	0.19	7460	5.1	0.20	6993	5.1	0.23	6171	5.1	0.25	5624	5.1	0.29	4849	5.1	0.31	4520	5.1	0.35	3951	5.1	0.38	3704	5.1	0.43	3268	5.1	0.48	2898	5.1	0.56	2463	5.1	0.54	2598	5.1	0.58	2383	5.1	0.69	2029	5.1	0.79	1749	5.1	0.85	1630	5.1	0.98	1425	5.1	1.0	1336	5.1	1.2	1179	5.1	1.3	1074	5.1	1.5	927	5.1	1.6	863	5.1	1.8	755	5.1	2.5	546	5.1	2.8	502	5.1	3.2	429	5.1	3.7	372	5.1	4.0	348	5.1	4.6	301	5.1	5.5	255	5.1	6.1	228	5.1	0.10	13598	5.1	0.11	12472	5.1	0.13	10619	5.1	0.15	9155	5.1	0.16	8534	5.1	0.19	7460	5.1	0.20	6993	5.1	0.23	6171	5.1	0.25	5624	5.1	0.29	4849	5.1	0.31	4520	5.1	0.35	3951	5.1	0.38	3704	5.1	0.43	3268	5.1	0.48	2898	5.1	0.56	2463	5.1	0.54	2598	5.1	0.58	2383	5.1	0.69	2029	5.1	0.79	1749	5.1	0.85	1630	5.1	0.98	1425	5.1	1.0	1336	5.1	1.2	1179	5.1	1.3	1074	5.1	1.5	927	5.1	1.6	863	5.1	1.8	755	5.1	2.5	546	5.1	2.8	502	5.1	3.2	429	5.1	3.7	372	5.1	4.0	348	5.1	4.6	301	5.1	5.5	255	5.1	6.1	228	5.1																																																																																																																																																																																																																																																																																																																													
0.30	4651	4.7			0.34			4065			4.7			0.38			3658	4.7	0.44	3154	4.7	0.50	2757	4.7	0.58	2409	4.7	0.66	2106	4.7	0.76	1818	4.7	0.88	1576	4.7	1.0	1359	4.7	1.1	1267	4.7	1.3	1098	4.7	1.4	970	4.7	1.7	839	4.7	1.9	740	4.7	2.1	653	4.7	2.4	577	4.7	2.8	498	4.7	3.2	439	4.7	3.7	378	4.7	4.2	328	4.7	0.10	1074	5.1	1.5	927	5.1	1.6	863	5.1	1.8	755	5.1	2.5	546	5.1	2.8	502	5.1	3.2	429	5.1	3.7	372	5.1	4.0	348	5.1	4.6	301	5.1	5.5	255	5.1	6.1	228	5.1	0.10	13598	5.1	0.11	12472	5.1	0.13	10619	5.1	0.15	9155	5.1	0.16	8534	5.1	0.19	7460	5.1	0.20	6993	5.1	0.23	6171	5.1	0.25	5624	5.1	0.29	4849	5.1	0.31	4520	5.1	0.35	3951	5.1	0.38	3704	5.1	0.43	3268	5.1	0.48	2898	5.1	0.56	2463	5.1	0.54	2598	5.1	0.58	2383	5.1	0.69	2029	5.1	0.79	1749	5.1	0.85	1630	5.1	0.98	1425	5.1	1.0	1336	5.1	1.2	1179	5.1	1.3	1074	5.1	1.5	927	5.1	1.6	863	5.1	1.8	755	5.1	2.5	546	5.1	2.8	502	5.1	3.2	429	5.1	3.7	372	5.1	4.0	348	5.1	4.6	301	5.1	5.5	255	5.1	6.1	228	5.1	0.10	13598	5.1	0.11	12472	5.1	0.13	10619	5.1	0.15	9155	5.1	0.16	8534	5.1	0.19	7460	5.1	0.20	6993	5.1	0.23	6171	5.1	0.25	5624	5.1	0.29	4849	5.1	0.31	4520	5.1	0.35	3951	5.1	0.38	3704	5.1	0.43	3268	5.1	0.48	2898	5.1	0.56	2463	5.1	0.54	2598	5.1	0.58	2383	5.1	0.69	2029	5.1	0.79	1749	5.1	0.85	1630	5.1	0.98	1425	5.1	1.0	1336	5.1	1.2	1179	5.1	1.3	1074	5.1	1.5	927	5.1	1.6	863	5.1	1.8	755	5.1	2.5	546	5.1	2.8	502	5.1	3.2	429	5.1	3.7	372	5.1	4.0	348	5.1	4.6	301	5.1	5.5	255	5.1	6.1	228	5.1																																																																																																																																																																																																																																																																																																																																		
0.34	4065	4.7			0.38			3658			4.7			0.44	3154	4.7	0.50	2757	4.7	0.58	2409	4.7	0.66	2106	4.7	0.76	1818	4.7	0.88	1576	4.7	1.0	1359	4.7	1.1	1267	4.7	1.3	1098	4.7	1.4	970	4.7	1.7	839	4.7	1.9	740	4.7	2.1	653	4.7	2.4	577	4.7	2.8	498	4.7	3.2	439	4.7	3.7	378	4.7	4.2	328	4.7	0.10	1074	5.1	1.5	927	5.1	1.6	863	5.1	1.8	755	5.1	2.5	546	5.1	2.8	502	5.1	3.2	429	5.1	3.7	372	5.1	4.0	348	5.1	4.6	301	5.1	5.5	255	5.1	6.1	228	5.1	0.10	13598	5.1	0.11	12472	5.1	0.13	10619	5.1	0.15	9155	5.1	0.16	8534	5.1	0.19	7460	5.1	0.20	6993	5.1	0.23	6171	5.1	0.25	5624	5.1	0.29	4849	5.1	0.31	4520	5.1	0.35	3951	5.1	0.38	3704	5.1	0.43	3268	5.1	0.48	2898	5.1	0.56	2463	5.1	0.54	2598	5.1	0.58	2383	5.1	0.69	2029	5.1	0.79	1749	5.1	0.85	1630	5.1	0.98	1425	5.1	1.0	1336	5.1	1.2	1179	5.1	1.3	1074	5.1	1.5	927	5.1	1.6	863	5.1	1.8	755	5.1	2.5	546	5.1	2.8	502	5.1	3.2	429	5.1	3.7	372	5.1	4.0	348	5.1	4.6	301	5.1	5.5	255	5.1	6.1	228	5.1	0.10	13598	5.1	0.11	12472	5.1	0.13	10619	5.1	0.15	9155	5.1	0.16	8534	5.1	0.19	7460	5.1	0.20	6993	5.1	0.23	6171	5.1	0.25	5624	5.1	0.29	4849	5.1	0.31	4520	5.1	0.35	3951	5.1	0.38	3704	5.1	0.43	3268	5.1	0.48	2898	5.1	0.56	2463	5.1	0.54	2598	5.1	0.58	2383	5.1	0.69	2029	5.1	0.79	1749	5.1	0.85	1630	5.1	0.98	1425	5.1	1.0	1336	5.1	1.2	1179	5.1	1.3	1074	5.1	1.5	927	5.1	1.6	863	5.1	1.8	755	5.1	2.5	546	5.1	2.8	502	5.1	3.2	429	5.1	3.7	372	5.1	4.0	348	5.1	4.6	301	5.1	5.5	255	5.1	6.1	228	5.1																																																																																																																																																																																																																																																																																																																																							
0.38	3658	4.7			0.44			3154			4.7	0.50	2757	4.7	0.58	2409	4.7	0.66	2106	4.7	0.76	1818	4.7	0.88	1576	4.7	1.0	1359	4.7	1.1	1267	4.7	1.3	1098	4.7	1.4	970	4.7	1.7	839	4.7	1.9	740	4.7	2.1	653	4.7	2.4	577	4.7	2.8	498	4.7	3.2	439	4.7	3.7	378	4.7	4.2	328	4.7	0.10	1074	5.1	1.5	927	5.1	1.6	863	5.1	1.8	755	5.1	2.5	546	5.1	2.8	502	5.1	3.2	429	5.1	3.7	372	5.1	4.0	348	5.1	4.6	301	5.1	5.5	255	5.1	6.1	228	5.1	0.10	13598	5.1	0.11	12472	5.1	0.13	10619	5.1	0.15	9155	5.1	0.16	8534	5.1	0.19	7460	5.1	0.20	6993	5.1	0.23	6171	5.1	0.25	5624	5.1	0.29	4849	5.1	0.31	4520	5.1	0.35	3951	5.1	0.38	3704	5.1	0.43	3268	5.1	0.48	2898	5.1	0.56	2463	5.1	0.54	2598	5.1	0.58	2383	5.1	0.69	2029	5.1	0.79	1749	5.1	0.85	1630	5.1	0.98	1425	5.1	1.0	1336	5.1	1.2	1179	5.1	1.3	1074	5.1	1.5	927	5.1	1.6	863	5.1	1.8	755	5.1	2.5	546	5.1	2.8	502	5.1	3.2	429	5.1	3.7	372	5.1	4.0	348	5.1	4.6	301	5.1	5.5	255	5.1	6.1	228	5.1	0.10	13598	5.1	0.11	12472	5.1	0.13	10619	5.1	0.15	9155	5.1	0.16	8534	5.1	0.19	7460	5.1	0.20	6993	5.1	0.23	6171	5.1	0.25	5624	5.1	0.29	4849	5.1	0.31	4520	5.1	0.35	3951	5.1	0.38	3704	5.1	0.43	3268	5.1	0.48	2898	5.1	0.56	2463	5.1	0.54	2598	5.1	0.58	2383	5.1	0.69	2029	5.1	0.79	1749	5.1	0.85	1630	5.1	0.98	1425	5.1	1.0	1336	5.1	1.2	1179	5.1	1.3	1074	5.1	1.5	927	5.1	1.6	863	5.1	1.8	755	5.1	2.5	546	5.1	2.8	502	5.1	3.2	429	5.1	3.7	372	5.1	4.0	348	5.1	4.6	301	5.1	5.5	255	5.1	6.1	228	5.1																																																																																																																																																																																																																																																																																																																																												
0.44	3154	4.7			0.50			2757	4.7	0.58	2409	4.7	0.66	2106	4.7	0.76	1818	4.7	0.88	1576	4.7	1.0	1359	4.7	1.1	1267	4.7	1.3	1098	4.7	1.4	970	4.7	1.7	839	4.7	1.9	740	4.7	2.1	653	4.7	2.4	577	4.7	2.8	498	4.7	3.2	439	4.7	3.7	378	4.7	4.2	328	4.7	0.10	1074	5.1	1.5	927	5.1	1.6	863	5.1	1.8	755	5.1	2.5	546	5.1	2.8	502	5.1	3.2	429	5.1	3.7	372	5.1	4.0	348	5.1	4.6	301	5.1	5.5	255	5.1	6.1	228	5.1	0.10	13598	5.1	0.11	12472	5.1	0.13	10619	5.1	0.15	9155	5.1	0.16	8534	5.1	0.19	7460	5.1	0.20	6993	5.1	0.23	6171	5.1	0.25	5624	5.1	0.29	4849	5.1	0.31	4520	5.1	0.35	3951	5.1	0.38	3704	5.1	0.43	3268	5.1	0.48	2898	5.1	0.56	2463	5.1	0.54	2598	5.1	0.58	2383	5.1	0.69	2029	5.1	0.79	1749	5.1	0.85	1630	5.1	0.98	1425	5.1	1.0	1336	5.1	1.2	1179	5.1	1.3	1074	5.1	1.5	927	5.1	1.6	863	5.1	1.8	755	5.1	2.5	546	5.1	2.8	502	5.1	3.2	429	5.1	3.7	372	5.1	4.0	348	5.1	4.6	301	5.1	5.5	255	5.1	6.1	228	5.1	0.10	13598	5.1	0.11	12472	5.1	0.13	10619	5.1	0.15	9155	5.1	0.16	8534	5.1	0.19	7460	5.1	0.20	6993	5.1	0.23	6171	5.1	0.25	5624	5.1	0.29	4849	5.1	0.31	4520	5.1	0.35	3951	5.1	0.38	3704	5.1	0.43	3268	5.1	0.48	2898	5.1	0.56	2463	5.1	0.54	2598	5.1	0.58	2383	5.1	0.69	2029	5.1	0.79	1749	5.1	0.85	1630	5.1	0.98	1425	5.1	1.0	1336	5.1	1.2	1179	5.1	1.3	1074	5.1	1.5	927	5.1	1.6	863	5.1	1.8	755	5.1	2.5	546	5.1	2.8	502	5.1	3.2	429	5.1	3.7	372	5.1	4.0	348	5.1	4.6	301	5.1	5.5	255	5.1	6.1	228	5.1																																																																																																																																																																																																																																																																																																																																																	
0.50	2757	4.7			0.58	2409	4.7	0.66	2106	4.7	0.76	1818	4.7	0.88	1576	4.7	1.0	1359	4.7	1.1	1267	4.7	1.3	1098	4.7	1.4	970	4.7	1.7	839	4.7	1.9	740	4.7	2.1	653	4.7	2.4	577	4.7	2.8	498	4.7	3.2	439	4.7	3.7	378	4.7	4.2	328	4.7	0.10	1074	5.1	1.5	927	5.1	1.6	863	5.1	1.8	755	5.1	2.5	546	5.1	2.8	502	5.1	3.2	429	5.1	3.7	372	5.1	4.0	348	5.1	4.6	301	5.1	5.5	255	5.1	6.1	228	5.1	0.10	13598	5.1	0.11	12472	5.1	0.13	10619	5.1	0.15	9155	5.1	0.16	8534	5.1	0.19	7460	5.1	0.20	6993	5.1	0.23	6171	5.1	0.25	5624	5.1	0.29	4849	5.1	0.31	4520	5.1	0.35	3951	5.1	0.38	3704	5.1	0.43	3268	5.1	0.48	2898	5.1	0.56	2463	5.1	0.54	2598	5.1	0.58	2383	5.1	0.69	2029	5.1	0.79	1749	5.1	0.85	1630	5.1	0.98	1425	5.1	1.0	1336	5.1	1.2	1179	5.1	1.3	1074	5.1	1.5	927	5.1	1.6	863	5.1	1.8	755	5.1	2.5	546	5.1	2.8	502	5.1	3.2	429	5.1	3.7	372	5.1	4.0	348	5.1	4.6	301	5.1	5.5	255	5.1	6.1	228	5.1	0.10	13598	5.1	0.11	12472	5.1	0.13	10619	5.1	0.15	9155	5.1	0.16	8534	5.1	0.19	7460	5.1	0.20	6993	5.1	0.23	6171	5.1	0.25	5624	5.1	0.29	4849	5.1	0.31	4520	5.1	0.35	3951	5.1	0.38	3704	5.1	0.43	3268	5.1	0.48	2898	5.1	0.56	2463	5.1	0.54	2598	5.1	0.58	2383	5.1	0.69	2029	5.1	0.79	1749	5.1	0.85	1630	5.1	0.98	1425	5.1	1.0	1336	5.1	1.2	1179	5.1	1.3	1074	5.1	1.5	927	5.1	1.6	863	5.1	1.8	755	5.1	2.5	546	5.1	2.8	502	5.1	3.2	429	5.1	3.7	372	5.1	4.0	348	5.1	4.6	301	5.1	5.5	255	5.1	6.1	228	5.1																																																																																																																																																																																																																																																																																																																																																						
0.58	2409	4.7	0.66	2106	4.7	0.76	1818	4.7	0.88	1576	4.7	1.0	1359	4.7	1.1	1267	4.7	1.3	1098	4.7	1.4	970	4.7	1.7	839	4.7	1.9	740	4.7	2.1	653	4.7	2.4	577	4.7	2.8	498	4.7	3.2	439	4.7	3.7	378	4.7	4.2	328	4.7	0.10	1074	5.1	1.5	927	5.1	1.6	863	5.1	1.8	755	5.1	2.5	546	5.1	2.8	502	5.1	3.2	429	5.1	3.7	372	5.1	4.0	348	5.1	4.6	301	5.1	5.5	255	5.1	6.1	228	5.1	0.10	13598	5.1	0.11	12472	5.1	0.13	10619	5.1	0.15	9155	5.1	0.16	8534	5.1	0.19	7460	5.1	0.20	6993	5.1	0.23	6171	5.1	0.25	5624	5.1	0.29	4849	5.1	0.31	4520	5.1	0.35	3951	5.1	0.38	3704	5.1	0.43	3268	5.1	0.48	2898	5.1	0.56	2463	5.1	0.54	2598	5.1	0.58	2383	5.1	0.69	2029	5.1	0.79	1749	5.1	0.85	1630	5.1	0.98	1425	5.1	1.0	1336	5.1	1.2	1179	5.1	1.3	1074	5.1	1.5	927	5.1	1.6	863	5.1	1.8	755	5.1	2.5	546	5.1	2.8	502	5.1	3.2	429	5.1	3.7	372	5.1	4.0	348	5.1	4.6	301	5.1	5.5	255	5.1	6.1	228	5.1	0.10	13598	5.1	0.11	12472	5.1	0.13	10619	5.1	0.15	9155	5.1	0.16	8534	5.1	0.19	7460	5.1	0.20	6993	5.1	0.23	6171	5.1	0.25	5624	5.1	0.29	4849	5.1	0.31	4520	5.1	0.35	3951	5.1	0.38	3704	5.1	0.43	3268	5.1	0.48	2898	5.1	0.56	2463	5.1	0.54	2598	5.1	0.58	2383	5.1	0.69	2029	5.1	0.79	1749	5.1	0.85	1630	5.1	0.98	1425	5.1	1.0	1336	5.1	1.2	1179	5.1	1.3	1074	5.1	1.5	927	5.1	1.6	863	5.1	1.8	755	5.1	2.5	546	5.1	2.8	502	5.1	3.2	429	5.1	3.7	372	5.1	4.0	348	5.1	4.6	301	5.1	5.5	255	5.1	6.1	228	5.1																																																																																																																																																																																																																																																																																																																																																											
0.66	2106	4.7	0.76	1818	4.7	0.88	1576	4.7	1.0	1359	4.7	1.1	1267	4.7	1.3	1098	4.7	1.4	970	4.7	1.7	839	4.7	1.9	740	4.7	2.1	653	4.7	2.4	577	4.7	2.8	498	4.7	3.2	439	4.7	3.7	378	4.7	4.2	328	4.7	0.10	1074	5.1	1.5	927	5.1	1.6	863	5.1	1.8	755	5.1	2.5	546	5.1	2.8	502	5.1	3.2	429	5.1	3.7	372	5.1	4.0	348	5.1	4.6	301	5.1	5.5	255	5.1	6.1	228	5.1	0.10	13598	5.1	0.11	12472	5.1	0.13	10619	5.1	0.15	9155	5.1	0.16	8534	5.1	0.19	7460	5.1	0.20	6993	5.1	0.23	6171	5.1	0.25	5624	5.1	0.29	4849	5.1	0.31	4520	5.1	0.35	3951	5.1	0.38	3704	5.1	0.43	3268	5.1	0.48	2898	5.1	0.56	2463	5.1	0.54	2598	5.1	0.58	2383	5.1	0.69	2029	5.1	0.79	1749	5.1	0.85	1630	5.1	0.98	1425	5.1	1.0	1336	5.1	1.2	1179	5.1	1.3	1074	5.1	1.5	927	5.1	1.6	863	5.1	1.8	755	5.1	2.5	546	5.1	2.8	502	5.1	3.2	429	5.1	3.7	372	5.1	4.0	348	5.1	4.6	301	5.1	5.5	255	5.1	6.1	228	5.1	0.10	13598	5.1	0.11	12472	5.1	0.13	10619	5.1	0.15	9155	5.1	0.16	8534	5.1	0.19	7460	5.1	0.20	6993	5.1	0.23	6171	5.1	0.25	5624	5.1	0.29	4849	5.1	0.31	4520	5.1	0.35	3951	5.1	0.38	3704	5.1	0.43	3268	5.1	0.48	2898	5.1	0.56	2463	5.1	0.54	2598	5.1	0.58	2383	5.1	0.69	2029	5.1	0.79	1749	5.1	0.85	1630	5.1	0.98	1425	5.1	1.0	1336	5.1	1.2	1179	5.1	1.3	1074	5.1	1.5	927	5.1	1.6	863	5.1	1.8	755	5.1	2.5	546	5.1	2.8	502	5.1	3.2	429	5.1	3.7	372	5.1	4.0	348	5.1	4.6	301	5.1	5.5	255	5.1	6.1	228	5.1																																																																																																																																																																																																																																																																																																																																																														
0.76	1818	4.7	0.88	1576	4.7	1.0	1359	4.7	1.1	1267	4.7	1.3	1098	4.7	1.4	970	4.7	1.7	839	4.7	1.9	740	4.7	2.1	653	4.7	2.4	577	4.7	2.8	498	4.7	3.2	439	4.7	3.7	378	4.7	4.2	328	4.7	0.10	1074	5.1	1.5	927	5.1	1.6	863	5.1	1.8	755	5.1	2.5	546	5.1	2.8	502	5.1	3.2	429	5.1	3.7	372	5.1	4.0	348	5.1	4.6	301	5.1	5.5	255	5.1	6.1	228	5.1	0.10	13598	5.1	0.11	12472	5.1	0.13	10619	5.1	0.15	9155	5.1	0.16	8534	5.1	0.19	7460	5.1	0.20	6993	5.1	0.23	6171	5.1	0.25	5624	5.1	0.29	4849	5.1	0.31	4520	5.1	0.35	3951	5.1	0.38	3704	5.1	0.43	3268	5.1	0.48	2898	5.1	0.56	2463	5.1	0.54	2598	5.1	0.58	2383	5.1	0.69	2029	5.1	0.79	1749	5.1	0.85	1630	5.1	0.98	1425	5.1	1.0	1336	5.1	1.2	1179	5.1	1.3	1074	5.1	1.5	927	5.1	1.6	863	5.1	1.8	755	5.1	2.5	546	5.1	2.8	502	5.1	3.2	429	5.1	3.7	372	5.1	4.0	348	5.1	4.6	301	5.1	5.5	255	5.1	6.1	228	5.1	0.10	13598	5.1	0.11	12472	5.1	0.13	10619	5.1	0.15	9155	5.1	0.16	8534	5.1	0.19	7460	5.1	0.20	6993	5.1	0.23	6171	5.1	0.25	5624	5.1	0.29	4849	5.1	0.31	4520	5.1	0.35	3951	5.1	0.38	3704	5.1	0.43	3268	5.1	0.48	2898	5.1	0.56	2463	5.1	0.54	2598	5.1	0.58	2383	5.1	0.69	2029	5.1	0.79	1749	5.1	0.85	1630	5.1	0.98	1425	5.1	1.0	1336	5.1	1.2	1179	5.1	1.3	1074	5.1	1.5	927	5.1	1.6	863	5.1	1.8	755	5.1	2.5	546	5.1	2.8	502	5.1	3.2	429	5.1	3.7	372	5.1	4.0	348	5.1	4.6	301	5.1	5.5	255	5.1	6.1	228	5.1																																																																																																																																																																																																																																																																																																																																																																	
0.88	1576	4.7	1.0	1359	4.7	1.1	1267	4.7	1.3	1098	4.7	1.4	970	4.7	1.7	839	4.7	1.9	740	4.7	2.1	653	4.7	2.4	577	4.7	2.8	498	4.7	3.2	439	4.7	3.7	378	4.7	4.2	328	4.7	0.10	1074	5.1	1.5	927	5.1	1.6	863	5.1	1.8	755	5.1	2.5	546	5.1	2.8	502	5.1	3.2	429	5.1	3.7	372	5.1	4.0	348	5.1	4.6	301	5.1	5.5	255	5.1	6.1	228	5.1	0.10	13598	5.1	0.11	12472	5.1	0.13	10619	5.1	0.15	9155	5.1	0.16	8534	5.1	0.19	7460	5.1	0.20	6993	5.1	0.23	6171	5.1	0.25	5624	5.1	0.29	4849	5.1	0.31	4520	5.1	0.35	3951	5.1	0.38	3704	5.1	0.43	3268	5.1	0.48	2898	5.1	0.56	2463	5.1	0.54	2598	5.1	0.58	2383	5.1	0.69	2029	5.1	0.79	1749	5.1	0.85	1630	5.1	0.98	1425	5.1	1.0	1336	5.1	1.2	1179	5.1	1.3	1074	5.1	1.5	927	5.1	1.6	863	5.1	1.8	755	5.1	2.5	546	5.1	2.8	502	5.1	3.2	429	5.1	3.7	372	5.1	4.0	348	5.1	4.6	301	5.1	5.5	255	5.1	6.1	228	5.1	0.10	13598	5.1	0.11	12472	5.1	0.13	10619	5.1	0.15	9155	5.1	0.16	8534	5.1	0.19	7460	5.1	0.20	6993	5.1	0.23	6171	5.1	0.25	5624	5.1	0.29	4849	5.1	0.31	4520	5.1	0.35	3951	5.1	0.38	3704	5.1	0.43	3268	5.1	0.48	2898	5.1	0.56	2463	5.1	0.54	2598	5.1	0.58	2383	5.1	0.69	2029	5.1	0.79	1749	5.1	0.85	1630	5.1	0.98	1425	5.1	1.0	1336	5.1	1.2	1179	5.1	1.3	1074	5.1	1.5	927	5.1	1.6	863	5.1	1.8	755	5.1	2.5	546	5.1	2.8	502	5.1	3.2	429	5.1	3.7	372	5.1	4.0	348	5.1	4.6	301	5.1	5.5	255	5.1	6.1	228	5.1																																																																																																																																																																																																																																																																																																																																																																				
1.0	1359	4.7	1.1	1267	4.7	1.3	1098	4.7	1.4	970	4.7	1.7	839	4.7	1.9	740	4.7	2.1	653	4.7	2.4	577	4.7	2.8	498	4.7	3.2	439	4.7	3.7	378	4.7	4.2	328	4.7	0.10	1074	5.1	1.5	927	5.1	1.6	863	5.1	1.8	755	5.1	2.5	546	5.1	2.8	502	5.1	3.2	429	5.1	3.7	372	5.1	4.0	348	5.1	4.6	301	5.1	5.5	255	5.1	6.1	228	5.1	0.10	13598	5.1	0.11	12472	5.1	0.13	10619	5.1	0.15	9155	5.1	0.16	8534	5.1	0.19	7460	5.1	0.20	6993	5.1	0.23	6171	5.1	0.25	5624	5.1	0.29	4849	5.1	0.31	4520	5.1	0.35	3951	5.1	0.38	3704	5.1	0.43	3268	5.1	0.48	2898	5.1	0.56	2463	5.1	0.54	2598	5.1	0.58	2383	5.1	0.69	2029	5.1	0.79	1749	5.1	0.85	1630	5.1	0.98	1425	5.1	1.0	1336	5.1	1.2	1179	5.1	1.3	1074	5.1	1.5	927	5.1	1.6	863	5.1	1.8	755	5.1	2.5	546	5.1	2.8	502	5.1	3.2	429	5.1	3.7	372	5.1	4.0	348	5.1	4.6	301	5.1	5.5	255	5.1	6.1	228	5.1	0.10	13598	5.1	0.11	12472	5.1	0.13	10619	5.1	0.15	9155	5.1	0.16	8534	5.1	0.19	7460	5.1	0.20	6993	5.1	0.23	6171	5.1	0.25	5624	5.1	0.29	4849	5.1	0.31	4520	5.1	0.35	3951	5.1	0.38	3704	5.1	0.43	3268	5.1	0.48	2898	5.1	0.56	2463	5.1	0.54	2598	5.1	0.58	2383	5.1	0.69	2029	5.1	0.79	1749	5.1	0.85	1630	5.1	0.98	1425	5.1	1.0	1336	5.1	1.2	1179	5.1	1.3	1074	5.1	1.5	927	5.1	1.6	863	5.1	1.8	755	5.1	2.5	546	5.1	2.8	502	5.1	3.2	429	5.1	3.7	372	5.1	4.0	348	5.1	4.6	301	5.1	5.5	255	5.1	6.1	228	5.1																																																																																																																																																																																																																																																																																																																																																																							
1.1	1267	4.7	1.3	1098	4.7	1.4	970	4.7	1.7	839	4.7	1.9	740	4.7	2.1	653	4.7	2.4	577	4.7	2.8	498	4.7	3.2	439	4.7	3.7	378	4.7	4.2	328	4.7	0.10	1074	5.1	1.5	927	5.1	1.6	863	5.1	1.8	755	5.1	2.5	546	5.1	2.8	502	5.1	3.2	429	5.1	3.7	372	5.1	4.0	348	5.1	4.6	301	5.1	5.5	255	5.1	6.1	228	5.1	0.10	13598	5.1	0.11	12472	5.1	0.13	10619	5.1	0.15	9155	5.1	0.16	8534	5.1	0.19	7460	5.1	0.20	6993	5.1	0.23	6171	5.1	0.25	5624	5.1	0.29	4849	5.1	0.31	4520	5.1	0.35	3951	5.1	0.38	3704	5.1	0.43	3268	5.1	0.48	2898	5.1	0.56	2463	5.1	0.54	2598	5.1	0.58	2383	5.1	0.69	2029	5.1	0.79	1749	5.1	0.85	1630	5.1	0.98	1425	5.1	1.0	1336	5.1	1.2	1179	5.1	1.3	1074	5.1	1.5	927	5.1	1.6	863	5.1	1.8	755	5.1	2.5	546	5.1	2.8	502	5.1	3.2	429	5.1	3.7	372	5.1	4.0	348	5.1	4.6	301	5.1	5.5	255	5.1	6.1	228	5.1	0.10	13598	5.1	0.11	12472	5.1	0.13	10619	5.1	0.15	9155	5.1	0.16	8534	5.1	0.19	7460	5.1	0.20	6993	5.1	0.23	6171	5.1	0.25	5624	5.1	0.29	4849	5.1	0.31	4520	5.1	0.35	3951	5.1	0.38	3704	5.1	0.43	3268	5.1	0.48	2898	5.1	0.56	2463	5.1	0.54	2598	5.1	0.58	2383	5.1	0.69	2029	5.1	0.79	1749	5.1	0.85	1630	5.1	0.98	1425	5.1	1.0	1336	5.1	1.2	1179	5.1	1.3	1074	5.1	1.5	927	5.1	1.6	863	5.1	1.8	755	5.1	2.5	546	5.1	2.8	502	5.1	3.2	429	5.1	3.7	372	5.1	4.0	348	5.1	4.6	301	5.1	5.5	255	5.1	6.1	228	5.1																																																																																																																																																																																																																																																																																																																																																																										
1.3	1098	4.7	1.4	970	4.7	1.7	839	4.7	1.9	740	4.7	2.1	653	4.7	2.4	577	4.7	2.8	498	4.7	3.2	439	4.7	3.7	378	4.7	4.2	328	4.7	0.10	1074	5.1	1.5	927	5.1	1.6	863	5.1	1.8	755	5.1	2.5	546	5.1	2.8	502	5.1	3.2	429	5.1	3.7	372	5.1	4.0	348	5.1	4.6	301	5.1	5.5	255	5.1	6.1	228	5.1	0.10	13598	5.1	0.11	12472	5.1	0.13	10619	5.1	0.15	9155	5.1	0.16	8534	5.1	0.19	7460	5.1	0.20	6993	5.1	0.23	6171	5.1	0.25	5624	5.1	0.29	4849	5.1	0.31	4520	5.1	0.35	3951	5.1	0.38	3704	5.1	0.43	3268	5.1	0.48	2898	5.1	0.56	2463	5.1	0.54	2598	5.1	0.58	2383	5.1	0.69	2029	5.1	0.79	1749	5.1	0.85	1630	5.1	0.98	1425	5.1	1.0	1336	5.1	1.2	1179	5.1	1.3	1074	5.1	1.5	927	5.1	1.6	863	5.1	1.8	755	5.1	2.5	546	5.1	2.8	502	5.1	3.2	429	5.1	3.7	372	5.1	4.0	348	5.1	4.6	301	5.1	5.5	255	5.1	6.1	228	5.1	0.10	13598	5.1	0.11	12472	5.1	0.13	10619	5.1	0.15	9155	5.1	0.16	8534	5.1	0.19	7460	5.1	0.20	6993	5.1	0.23	6171	5.1	0.25	5624	5.1	0.29	4849	5.1	0.31	4520	5.1	0.35	3951	5.1	0.38	3704	5.1	0.43	3268	5.1	0.48	2898	5.1	0.56	2463	5.1	0.54	2598	5.1	0.58	2383	5.1	0.69	2029	5.1	0.79	1749	5.1	0.85	1630	5.1	0.98	1425	5.1	1.0	1336	5.1	1.2	1179	5.1	1.3	1074	5.1	1.5	927	5.1	1.6	863	5.1	1.8	755	5.1	2.5	546	5.1	2.8	502	5.1	3.2	429	5.1	3.7	372	5.1	4.0	348	5.1	4.6	301	5.1	5.5	255	5.1	6.1	228	5.1																																																																																																																																																																																																																																																																																																																																																																													
1.4	970	4.7	1.7	839	4.7	1.9	740	4.7	2.1	653	4.7	2.4	577	4.7	2.8	498	4.7	3.2	439	4.7	3.7	378	4.7	4.2	328	4.7	0.10	1074	5.1	1.5	927	5.1	1.6	863	5.1	1.8	755	5.1	2.5	546	5.1	2.8	502	5.1	3.2	429	5.1	3.7	372	5.1	4.0	348	5.1	4.6	301	5.1	5.5	255	5.1	6.1	228	5.1	0.10	13598	5.1	0.11	12472	5.1	0.13	10619	5.1	0.15	9155	5.1	0.16	8534	5.1	0.19	7460	5.1	0.20	6993	5.1	0.23	6171	5.1	0.25	5624	5.1	0.29	4849	5.1	0.31	4520	5.1	0.35	3951	5.1	0.38	3704	5.1	0.43	3268	5.1	0.48	2898	5.1	0.56	2463	5.1	0.54	2598	5.1	0.58	2383	5.1	0.69	2029	5.1	0.79	1749	5.1	0.85	1630	5.1	0.98	1425	5.1	1.0	1336	5.1	1.2	1179	5.1	1.3	1074	5.1	1.5	927	5.1	1.6	863	5.1	1.8	755	5.1	2.5	546	5.1	2.8	502	5.1	3.2	429	5.1	3.7	372	5.1	4.0	348	5.1	4.6	301	5.1	5.5	255	5.1	6.1	228	5.1	0.10	13598	5.1	0.11	12472	5.1	0.13	10619	5.1	0.15	9155	5.1	0.16	8534	5.1	0.19	7460	5.1	0.20	6993	5.1	0.23	6171	5.1	0.25	5624	5.1	0.29	4849	5.1	0.31	4520	5.1	0.35	3951	5.1	0.38	3704	5.1	0.43	3268	5.1	0.48	2898	5.1	0.56	2463	5.1	0.54	2598	5.1	0.58	2383	5.1	0.69	2029	5.1	0.79	1749	5.1	0.85	1630	5.1	0.98	1425	5.1	1.0	1336	5.1	1.2	1179	5.1	1.3	1074	5.1	1.5	927	5.1	1.6	863	5.1	1.8	755	5.1	2.5	546	5.1	2.8	502	5.1	3.2	429	5.1	3.7	372	5.1	4.0	348	5.1	4.6	301	5.1	5.5	255	5.1	6.1	228	5.1																																																																																																																																																																																																																																																																																																																																																																																
1.7	839	4.7	1.9	740	4.7	2.1	653	4.7	2.4	577	4.7	2.8	498	4.7	3.2	439	4.7	3.7	378	4.7	4.2	328	4.7	0.10	1074	5.1	1.5	927	5.1	1.6	863	5.1	1.8	755	5.1	2.5	546	5.1	2.8	502	5.1	3.2	429	5.1	3.7	372	5.1	4.0	348	5.1	4.6	301	5.1	5.5	255	5.1	6.1	228	5.1	0.10	13598	5.1	0.11	12472	5.1	0.13	10619	5.1	0.15	9155	5.1	0.16	8534	5.1	0.19	7460	5.1	0.20	6993	5.1	0.23	6171	5.1	0.25	5624	5.1	0.29	4849	5.1	0.31	4520	5.1	0.35	3951	5.1	0.38	3704	5.1	0.43	3268	5.1	0.48	2898	5.1	0.56	2463	5.1	0.54	2598	5.1	0.58	2383	5.1	0.69	2029	5.1	0.79	1749	5.1	0.85	1630	5.1	0.98	1425	5.1	1.0	1336	5.1	1.2	1179	5.1	1.3	1074	5.1	1.5	927	5.1	1.6	863	5.1	1.8	755	5.1	2.5	546	5.1	2.8	502	5.1	3.2	429	5.1	3.7	372	5.1	4.0	348	5.1	4.6	301	5.1	5.5	255	5.1	6.1	228	5.1	0.10	13598	5.1	0.11	12472	5.1	0.13	10619	5.1	0.15	9155	5.1	0.16	8534	5.1	0.19	7460	5.1	0.20	6993	5.1	0.23	6171	5.1	0.25	5624	5.1	0.29	4849	5.1	0.31	4520	5.1	0.35	3951	5.1	0.38	3704	5.1	0.43	3268	5.1	0.48	2898	5.1	0.56	2463	5.1	0.54	2598	5.1	0.58	2383	5.1	0.69	2029	5.1	0.79	1749	5.1	0.85	1630	5.1	0.98	1425	5.1	1.0	1336	5.1	1.2	1179	5.1	1.3	1074	5.1	1.5	927	5.1	1.6	863	5.1	1.8	755	5.1	2.5	546	5.1	2.8	502	5.1	3.2	429	5.1	3.7	372	5.1	4.0	348	5.1	4.6	301	5.1	5.5	255	5.1	6.1	228	5.1																																																																																																																																																																																																																																																																																																																																																																																			
1.9	740	4.7	2.1	653	4.7	2.4	577	4.7	2.8	498	4.7	3.2	439	4.7	3.7	378	4.7	4.2	328	4.7	0.10	1074	5.1	1.5	927	5.1	1.6	863	5.1	1.8	755	5.1	2.5	546	5.1	2.8	502	5.1	3.2	429	5.1	3.7	372	5.1	4.0	348	5.1	4.6	301	5.1	5.5	255	5.1	6.1	228	5.1	0.10	13598	5.1	0.11	12472	5.1	0.13	10619	5.1	0.15	9155	5.1	0.16	8534	5.1	0.19	7460	5.1	0.20	6993	5.1	0.23	6171	5.1	0.25	5624	5.1	0.29	4849	5.1	0.31	4520	5.1	0.35	3951	5.1	0.38	3704	5.1	0.43	3268	5.1	0.48	2898	5.1	0.56	2463	5.1	0.54	2598	5.1	0.58	2383	5.1	0.69	2029	5.1	0.79	1749	5.1	0.85	1630	5.1	0.98	1425	5.1	1.0	1336	5.1	1.2	1179	5.1	1.3	1074	5.1	1.5	927	5.1	1.6	863	5.1	1.8	755	5.1	2.5	546	5.1	2.8	502	5.1	3.2	429	5.1	3.7	372	5.1	4.0	348	5.1	4.6	301	5.1	5.5	255	5.1	6.1	228	5.1	0.10	13598	5.1	0.11	12472	5.1	0.13	10619	5.1	0.15	9155	5.1	0.16	8534	5.1	0.19	7460	5.1	0.20	6993	5.1	0.23	6171	5.1	0.25	5624	5.1	0.29	4849	5.1	0.31	4520	5.1	0.35	3951	5.1	0.38	3704	5.1	0.43	3268	5.1	0.48	2898	5.1	0.56	2463	5.1	0.54	2598	5.1	0.58	2383	5.1	0.69	2029	5.1	0.79	1749	5.1	0.85	1630	5.1	0.98	1425	5.1	1.0	1336	5.1	1.2	1179	5.1	1.3	1074	5.1	1.5	927	5.1	1.6	863	5.1	1.8	755	5.1	2.5	546	5.1	2.8	502	5.1	3.2	429	5.1	3.7	372	5.1	4.0	348	5.1	4.6	301	5.1	5.5	255	5.1	6.1	228	5.1																																																																																																																																																																																																																																																																																																																																																																																						
2.1	653	4.7	2.4	577	4.7	2.8	498	4.7	3.2	439	4.7	3.7	378	4.7	4.2	328	4.7	0.10	1074	5.1	1.5	927	5.1	1.6	863	5.1	1.8	755	5.1	2.5	546	5.1	2.8	502	5.1	3.2	429	5.1	3.7	372	5.1	4.0	348	5.1	4.6	301	5.1	5.5	255	5.1	6.1	228	5.1	0.10	13598	5.1	0.11	12472	5.1	0.13	10619	5.1	0.15	9155	5.1	0.16	8534	5.1	0.19	7460	5.1	0.20	6993	5.1	0.23	6171	5.1	0.25	5624	5.1	0.29	4849	5.1	0.31	4520	5.1	0.35	3951	5.1	0.38	3704	5.1	0.43	3268	5.1	0.48	2898	5.1	0.56	2463	5.1	0.54	2598	5.1	0.58	2383	5.1	0.69	2029	5.1	0.79	1749	5.1	0.85	1630	5.1	0.98	1425	5.1	1.0	1336	5.1	1.2	1179	5.1	1.3	1074	5.1	1.5	927	5.1	1.6	863	5.1	1.8	755	5.1	2.5	546	5.1	2.8	502	5.1	3.2	429	5.1	3.7	372	5.1	4.0	348	5.1	4.6	301	5.1	5.5	255	5.1	6.1	228	5.1	0.10	13598	5.1	0.11	12472	5.1	0.13	10619	5.1	0.15	9155	5.1	0.16	8534	5.1	0.19	7460	5.1	0.20	6993	5.1	0.23	6171	5.1	0.25	5624	5.1	0.29	4849	5.1	0.31	4520	5.1	0.35	3951	5.1	0.38	3704	5.1	0.43	3268	5.1	0.48	2898	5.1	0.56	2463	5.1	0.54	2598	5.1	0.58	2383	5.1	0.69	2029	5.1	0.79	1749	5.1	0.85	1630	5.1	0.98	1425	5.1	1.0	1336	5.1	1.2	1179	5.1	1.3	1074	5.1	1.5	927	5.1	1.6	863	5.1	1.8	755	5.1	2.5	546	5.1	2.8	502	5.1	3.2	429	5.1	3.7	372	5.1	4.0	348	5.1	4.6	301	5.1	5.5	255	5.1	6.1	228	5.1																																																																																																																																																																																																																																																																																																																																																																																									
2.4	577	4.7	2.8	498	4.7	3.2	439	4.7	3.7	378	4.7	4.2	328	4.7	0.10	1074	5.1	1.5	927	5.1	1.6	863	5.1	1.8	755	5.1	2.5	546	5.1	2.8	502	5.1	3.2	429	5.1	3.7	372	5.1	4.0	348	5.1	4.6	301	5.1	5.5	255	5.1	6.1	228	5.1	0.10	13598	5.1	0.11	12472	5.1	0.13	10619	5.1	0.15	9155	5.1	0.16	8534	5.1	0.19	7460	5.1	0.20	6993	5.1	0.23	6171	5.1	0.25	5624	5.1	0.29	4849	5.1	0.31	4520	5.1	0.35	3951	5.1	0.38	3704	5.1	0.43	3268	5.1	0.48	2898	5.1	0.56	2463	5.1	0.54	2598	5.1	0.58	2383	5.1	0.69	2029	5.1	0.79	1749	5.1	0.85	1630	5.1	0.98	1425	5.1	1.0	1336	5.1	1.2	1179	5.1	1.3	1074	5.1	1.5	927	5.1	1.6	863	5.1	1.8	755	5.1	2.5	546	5.1	2.8	502	5.1	3.2	429	5.1	3.7	372	5.1	4.0	348	5.1	4.6	301	5.1	5.5	255	5.1	6.1	228	5.1	0.10	13598	5.1	0.11	12472	5.1	0.13	10619	5.1	0.15	9155	5.1	0.16	8534	5.1	0.19	7460	5.1	0.20	6993	5.1	0.23	6171	5.1	0.25	5624	5.1	0.29	4849	5.1	0.31	4520	5.1	0.35	3951	5.1	0.38	3704	5.1	0.43	3268	5.1	0.48	2898	5.1	0.56	2463	5.1	0.54	2598	5.1	0.58	2383	5.1	0.69	2029	5.1	0.79	1749	5.1	0.85	1630	5.1	0.98	1425	5.1	1.0	1336	5.1	1.2	1179	5.1	1.3	1074	5.1	1.5	927	5.1	1.6	863	5.1	1.8	755	5.1	2.5	546	5.1	2.8	502	5.1	3.2	429	5.1	3.7	372	5.1	4.0	348	5.1	4.6	301	5.1	5.5	255	5.1	6.1	228	5.1																																																																																																																																																																																																																																																																																																																																																																																												
2.8	498	4.7	3.2	439	4.7	3.7	378	4.7	4.2	328	4.7	0.10	1074	5.1	1.5	927	5.1	1.6	863	5.1	1.8	755	5.1	2.5	546	5.1	2.8	502	5.1	3.2	429	5.1	3.7	372	5.1	4.0	348	5.1	4.6	301	5.1	5.5	255	5.1	6.1	228	5.1	0.10	13598	5.1	0.11	12472	5.1	0.13	10619	5.1	0.15	9155	5.1	0.16	8534	5.1	0.19	7460	5.1	0.20	6993	5.1	0.23	6171	5.1	0.25	5624	5.1	0.29	4849	5.1	0.31	4520	5.1	0.35	3951	5.1	0.38	3704	5.1	0.43	3268	5.1	0.48	2898	5.1	0.56	2463	5.1	0.54	2598	5.1	0.58	2383	5.1	0.69	2029	5.1	0.79	1749	5.1	0.85	1630	5.1	0.98	1425	5.1	1.0	1336	5.1	1.2	1179	5.1	1.3	1074	5.1	1.5	927	5.1	1.6	863	5.1	1.8	755	5.1	2.5	546	5.1	2.8	502	5.1	3.2	429	5.1	3.7	372	5.1	4.0	348	5.1	4.6	301	5.1	5.5	255	5.1	6.1	228	5.1	0.10	13598	5.1	0.11	12472	5.1	0.13	10619	5.1	0.15	9155	5.1	0.16	8534	5.1	0.19	7460	5.1	0.20	6993	5.1	0.23	6171	5.1	0.25	5624	5.1	0.29	4849	5.1	0.31	4520	5.1	0.35	3951	5.1	0.38	3704	5.1	0.43	3268	5.1	0.48	2898	5.1	0.56	2463	5.1	0.54	2598	5.1	0.58	2383	5.1	0.69	2029	5.1	0.79	1749	5.1	0.85	1630	5.1	0.98	1425	5.1	1.0	1336	5.1	1.2	1179	5.1	1.3	1074	5.1	1.5	927	5.1	1.6	863	5.1	1.8	755	5.1	2.5	546	5.1	2.8	502	5.1	3.2	429	5.1	3.7	372	5.1	4.0	348	5.1	4.6	301	5.1	5.5	255	5.1	6.1	228	5.1																																																																																																																																																																																																																																																																																																																																																																																															
3.2	439	4.7	3.7	378	4.7	4.2	328	4.7	0.10	1074	5.1	1.5	927	5.1	1.6	863	5.1	1.8	755	5.1	2.5	546	5.1	2.8	502	5.1	3.2	429	5.1	3.7	372	5.1	4.0	348	5.1	4.6	301	5.1	5.5	255	5.1	6.1	228	5.1	0.10	13598	5.1	0.11	12472	5.1	0.13	10619	5.1	0.15	9155	5.1	0.16	8534	5.1	0.19	7460	5.1	0.20	6993	5.1	0.23	6171	5.1	0.25	5624	5.1	0.29	4849	5.1	0.31	4520	5.1	0.35	3951	5.1	0.38	3704	5.1	0.43	3268	5.1	0.48	2898	5.1	0.56	2463	5.1	0.54	2598	5.1	0.58	2383	5.1	0.69	2029	5.1	0.79	1749	5.1	0.85	1630	5.1	0.98	1425	5.1	1.0	1336	5.1	1.2	1179	5.1	1.3	1074	5.1	1.5	927	5.1	1.6	863	5.1	1.8	755	5.1	2.5	546	5.1	2.8	502	5.1	3.2	429	5.1	3.7	372	5.1	4.0	348	5.1	4.6	301	5.1	5.5	255	5.1	6.1	228	5.1	0.10	13598	5.1	0.11	12472	5.1	0.13	10619	5.1	0.15	9155	5.1	0.16	8534	5.1	0.19	7460	5.1	0.20	6993	5.1	0.23	6171	5.1	0.25	5624	5.1	0.29	4849	5.1	0.31	4520	5.1	0.35	3951	5.1	0.38	3704	5.1	0.43	3268	5.1	0.48	2898	5.1	0.56	2463	5.1	0.54	2598	5.1	0.58	2383	5.1	0.69	2029	5.1	0.79	1749	5.1	0.85	1630	5.1	0.98	1425	5.1	1.0	1336	5.1	1.2	1179	5.1	1.3	1074	5.1	1.5	927	5.1	1.6	863	5.1	1.8	755	5.1	2.5	546	5.1	2.8	502	5.1	3.2	429	5.1	3.7	372	5.1	4.0	348	5.1	4.6	301	5.1	5.5	255	5.1	6.1	228	5.1																																																																																																																																																																																																																																																																																																																																																																																																		
3.7	378	4.7	4.2	328	4.7	0.10	1074	5.1	1.5	927	5.1	1.6	863	5.1	1.8	755	5.1	2.5	546	5.1	2.8	502	5.1	3.2	429	5.1	3.7	372	5.1	4.0	348	5.1	4.6	301	5.1	5.5	255	5.1	6.1	228	5.1	0.10	13598	5.1	0.11	12472	5.1	0.13	10619	5.1	0.15	9155	5.1	0.16	8534	5.1	0.19	7460	5.1	0.20	6993	5.1	0.23	6171	5.1	0.25	5624	5.1	0.29	4849	5.1	0.31	4520	5.1	0.35	3951	5.1	0.38	3704	5.1	0.43	3268	5.1	0.48	2898	5.1	0.56	2463	5.1	0.54	2598	5.1	0.58	2383	5.1	0.69	2029	5.1	0.79	1749	5.1	0.85	1630	5.1	0.98	1425	5.1	1.0	1336	5.1	1.2	1179	5.1	1.3	1074	5.1	1.5	927	5.1	1.6	863	5.1	1.8	755	5.1	2.5	546	5.1	2.8	502	5.1	3.2	429	5.1	3.7	372	5.1	4.0	348	5.1	4.6	301	5.1	5.5	255	5.1	6.1	228	5.1	0.10	13598	5.1	0.11	12472	5.1	0.13	10619	5.1	0.15	9155	5.1	0.16	8534	5.1	0.19	7460	5.1	0.20	6993	5.1	0.23	6171	5.1	0.25	5624	5.1	0.29	4849	5.1	0.31	4520	5.1	0.35	3951	5.1	0.38	3704	5.1	0.43	3268	5.1	0.48	2898	5.1	0.56	2463	5.1	0.54	2598	5.1	0.58	2383	5.1	0.69	2029	5.1	0.79	1749	5.1	0.85	1630	5.1	0.98	1425	5.1	1.0	1336	5.1	1.2	1179	5.1	1.3	1074	5.1	1.5	927	5.1	1.6	863	5.1	1.8	755	5.1	2.5	546	5.1	2.8	502	5.1	3.2	429	5.1	3.7	372	5.1	4.0	348	5.1	4.6	301	5.1	5.5	255	5.1	6.1	228	5.1																																																																																																																																																																																																																																																																																																																																																																																																					
4.2	328	4.7	0.10	1074	5.1	1.5	927	5.1	1.6	863	5.1	1.8	755	5.1	2.5	546	5.1	2.8	502	5.1	3.2	429	5.1	3.7	372	5.1	4.0	348	5.1	4.6	301	5.1	5.5	255	5.1	6.1	228	5.1	0.10	13598	5.1	0.11	12472	5.1	0.13	10619	5.1	0.15	9155	5.1	0.16	8534	5.1	0.19	7460	5.1	0.20	6993	5.1	0.23	6171	5.1	0.25	5624	5.1	0.29	4849	5.1	0.31	4520	5.1	0.35	3951	5.1	0.38	3704	5.1	0.43	3268	5.1	0.48	2898	5.1	0.56	2463	5.1	0.54	2598	5.1	0.58	2383	5.1	0.69	2029	5.1	0.79	1749	5.1	0.85	1630	5.1	0.98	1425	5.1	1.0	1336	5.1	1.2	1179	5.1	1.3	1074	5.1	1.5	927	5.1	1.6	863	5.1	1.8	755	5.1	2.5	546	5.1	2.8	502	5.1	3.2	429	5.1	3.7	372	5.1	4.0	348	5.1	4.6	301	5.1	5.5	255	5.1	6.1	228	5.1	0.10	13598	5.1	0.11	12472	5.1	0.13	10619	5.1	0.15	9155	5.1	0.16	8534	5.1	0.19	7460	5.1	0.20	6993	5.1	0.23	6171	5.1	0.25	5624	5.1	0.29	4849	5.1	0.31	4520	5.1	0.35	3951	5.1	0.38	3704	5.1	0.43	3268	5.1	0.48	2898	5.1	0.56	2463	5.1	0.54	2598	5.1	0.58	2383	5.1	0.69	2029	5.1	0.79	1749	5.1	0.85	1630	5.1	0.98	1425	5.1	1.0	1336	5.1	1.2	1179	5.1	1.3	1074	5.1	1.5	927	5.1	1.6	863	5.1	1.8	755	5.1	2.5	546	5.1	2.8	502	5.1	3.2	429	5.1	3.7	372	5.1	4.0	348	5.1	4.6	301	5.1	5.5	255	5.1	6.1	228	5.1																																																																																																																																																																																																																																																																																																																																																																																																								
0.10	1074	5.1	1.5	927	5.1	1.6	863	5.1	1.8	755	5.1	2.5	546	5.1	2.8	502	5.1	3.2	429	5.1	3.7	372	5.1	4.0	348	5.1	4.6	301	5.1	5.5	255	5.1	6.1	228	5.1	0.10	13598	5.1	0.11	12472	5.1	0.13	10619	5.1	0.15	9155	5.1	0.16	8534	5.1	0.19	7460	5.1	0.20	6993	5.1	0.23	6171	5.1	0.25	5624	5.1	0.29	4849	5.1	0.31	4520	5.1	0.35	3951	5.1	0.38	3704	5.1	0.43	3268	5.1	0.48	2898	5.1	0.56	2463	5.1	0.54	2598	5.1	0.58	2383	5.1	0.69	2029	5.1	0.79	1749	5.1	0.85	1630	5.1	0.98	1425	5.1	1.0	1336	5.1	1.2	1179	5.1	1.3	1074	5.1	1.5	927	5.1	1.6	863	5.1	1.8	755	5.1	2.5	546	5.1	2.8	502	5.1	3.2	429	5.1	3.7	372	5.1	4.0	348	5.1	4.6	301	5.1	5.5	255	5.1	6.1	228	5.1	0.10	13598	5.1	0.11	12472	5.1	0.13	10619	5.1	0.15	9155	5.1	0.16	8534	5.1	0.19	7460	5.1	0.20	6993	5.1	0.23	6171	5.1	0.25	5624	5.1	0.29	4849	5.1	0.31	4520	5.1	0.35	3951	5.1	0.38	3704	5.1	0.43	3268	5.1	0.48	2898	5.1	0.56	2463	5.1	0.54	2598	5.1	0.58	2383	5.1	0.69	2029	5.1	0.79	1749	5.1	0.85	1630	5.1	0.98	1425	5.1	1.0	1336	5.1	1.2	1179	5.1	1.3	1074	5.1	1.5	927	5.1	1.6	863	5.1	1.8	755	5.1	2.5	546	5.1	2.8	502	5.1	3.2	429	5.1	3.7	372	5.1	4.0	348	5.1	4.6	301	5.1	5.5	255	5.1	6.1	228	5.1																																																																																																																																																																																																																																																																																																																																																																																																											
1.5	927	5.1	1.6	863	5.1	1.8	755	5.1	2.5	546	5.1	2.8	502	5.1	3.2	429	5.1	3.7	372	5.1	4.0	348	5.1	4.6	301	5.1	5.5	255	5.1	6.1	228	5.1	0.10	13598	5.1	0.11	12472	5.1	0.13	10619	5.1	0.15	9155	5.1	0.16	8534	5.1	0.19	7460	5.1	0.20	6993	5.1	0.23	6171	5.1	0.25	5624	5.1	0.29	4849	5.1	0.31	4520	5.1	0.35	3951	5.1	0.38	3704	5.1	0.43	3268	5.1	0.48	2898	5.1	0.56	2463	5.1	0.54	2598	5.1	0.58	2383	5.1	0.69	2029	5.1	0.79	1749	5.1	0.85	1630	5.1	0.98	1425	5.1	1.0	1336	5.1	1.2	1179	5.1	1.3	1074	5.1	1.5	927	5.1	1.6	863	5.1	1.8	755	5.1	2.5	546	5.1	2.8	502	5.1	3.2	429	5.1	3.7	372	5.1	4.0	348	5.1	4.6	301	5.1	5.5	255	5.1	6.1	228	5.1	0.10	13598	5.1	0.11	12472	5.1	0.13	10619	5.1	0.15	9155	5.1	0.16	8534	5.1	0.19	7460	5.1	0.20	6993	5.1	0.23	6171	5.1	0.25	5624	5.1	0.29	4849	5.1	0.31	4520	5.1	0.35	3951	5.1	0.38	3704	5.1	0.43	3268	5.1	0.48	2898	5.1	0.56	2463	5.1	0.54	2598	5.1	0.58	2383	5.1	0.69	2029	5.1	0.79	1749	5.1	0.85	1630	5.1	0.98	1425	5.1	1.0	1336	5.1	1.2	1179	5.1	1.3	1074	5.1	1.5	927	5.1	1.6	863	5.1	1.8	755	5.1	2.5	546	5.1	2.8	502	5.1	3.2	429	5.1	3.7	372	5.1	4.0	348	5.1	4.6	301	5.1	5.5	255	5.1	6.1	228	5.1																																																																																																																																																																																																																																																																																																																																																																																																														
1.6	863	5.1	1.8	755	5.1	2.5	546	5.1	2.8	502	5.1	3.2	429	5.1	3.7	372	5.1	4.0	348	5.1	4.6	301	5.1	5.5	255	5.1	6.1	228	5.1	0.10	13598	5.1	0.11	12472	5.1	0.13	10619	5.1	0.15	9155	5.1	0.16	8534	5.1	0.19	7460	5.1	0.20	6993	5.1	0.23	6171	5.1	0.25	5624	5.1	0.29	4849	5.1	0.31	4520	5.1	0.35	3951	5.1	0.38	3704	5.1	0.43	3268	5.1	0.48	2898	5.1	0.56	2463	5.1	0.54	2598	5.1	0.58	2383	5.1	0.69	2029	5.1	0.79	1749	5.1	0.85	1630	5.1	0.98	1425	5.1	1.0	1336	5.1	1.2	1179	5.1	1.3	1074	5.1	1.5	927	5.1	1.6	863	5.1	1.8	755	5.1	2.5	546	5.1	2.8	502	5.1	3.2	429	5.1	3.7	372	5.1	4.0	348	5.1	4.6	301	5.1	5.5	255	5.1	6.1	228	5.1	0.10	13598	5.1	0.11	12472	5.1	0.13	10619	5.1	0.15	9155	5.1	0.16	8534	5.1	0.19	7460	5.1	0.20	6993	5.1	0.23	6171	5.1	0.25	5624	5.1	0.29	4849	5.1	0.31	4520	5.1	0.35	3951	5.1	0.38	3704	5.1	0.43	3268	5.1	0.48	2898	5.1	0.56	2463	5.1	0.54	2598	5.1	0.58	2383	5.1	0.69	2029	5.1	0.79	1749	5.1	0.85	1630	5.1	0.98	1425	5.1	1.0	1336	5.1	1.2	1179	5.1	1.3	1074	5.1	1.5	927	5.1	1.6	863	5.1	1.8	755	5.1	2.5	546	5.1	2.8	502	5.1	3.2	429	5.1	3.7	372	5.1	4.0	348	5.1	4.6	301	5.1	5.5	255	5.1	6.1	228	5.1																																																																																																																																																																																																																																																																																																																																																																																																																	
1.8	755	5.1	2.5	546	5.1	2.8	502	5.1	3.2	429	5.1	3.7	372	5.1	4.0	348	5.1	4.6	301	5.1	5.5	255	5.1	6.1	228	5.1	0.10	13598	5.1	0.11	12472	5.1	0.13	10619	5.1	0.15	9155	5.1	0.16	8534	5.1	0.19	7460	5.1	0.20	6993	5.1	0.23	6171	5.1	0.25	5624	5.1	0.29	4849	5.1	0.31	4520	5.1	0.35	3951	5.1	0.38	3704	5.1	0.43	3268	5.1	0.48	2898	5.1	0.56	2463	5.1	0.54	2598	5.1	0.58	2383	5.1	0.69	2029	5.1	0.79	1749	5.1	0.85	1630	5.1	0.98	1425	5.1	1.0	1336	5.1	1.2	1179	5.1	1.3	1074	5.1	1.5	927	5.1	1.6	863	5.1	1.8	755	5.1	2.5	546	5.1	2.8	502	5.1	3.2	429	5.1	3.7	372	5.1	4.0	348	5.1	4.6	301	5.1	5.5	255	5.1	6.1	228	5.1	0.10	13598	5.1	0.11	12472	5.1	0.13	10619	5.1	0.15	9155	5.1	0.16	8534	5.1	0.19	7460	5.1	0.20	6993	5.1	0.23	6171	5.1	0.25	5624	5.1	0.29	4849	5.1	0.31	4520	5.1	0.35	3951	5.1	0.38	3704	5.1	0.43	3268	5.1	0.48	2898	5.1	0.56	2463	5.1	0.54	2598	5.1	0.58	2383	5.1	0.69	2029	5.1	0.79	1749	5.1	0.85	1630	5.1	0.98	1425	5.1	1.0	1336	5.1	1.2	1179	5.1	1.3	1074	5.1	1.5	927	5.1	1.6	863	5.1	1.8	755	5.1	2.5	546	5.1	2.8	502	5.1	3.2	429	5.1	3.7	372	5.1	4.0	348	5.1	4.6	301	5.1	5.5	255	5.1	6.1	228	5.1																																																																																																																																																																																																																																																																																																																																																																																																																				
2.5	546	5.1	2.8	502	5.1	3.2	429	5.1	3.7	372	5.1	4.0	348	5.1	4.6	301	5.1	5.5	255	5.1	6.1	228	5.1	0.10	13598	5.1	0.11	12472	5.1	0.13	10619	5.1	0.15	9155	5.1	0.16	8534	5.1	0.19	7460	5.1	0.20	6993	5.1	0.23	6171	5.1	0.25	5624	5.1	0.29	4849	5.1	0.31	4520	5.1	0.35	3951	5.1	0.38	3704	5.1	0.43	3268	5.1	0.48	2898	5.1	0.56	2463	5.1	0.54	2598	5.1	0.58	2383	5.1	0.69	2029	5.1	0.79	1749	5.1	0.85	1630	5.1	0.98	1425	5.1	1.0	1336	5.1	1.2	1179	5.1	1.3	1074	5.1	1.5	927	5.1	1.6	863	5.1	1.8	755	5.1	2.5	546	5.1	2.8	502	5.1	3.2	429	5.1	3.7	372	5.1	4.0	348	5.1	4.6	301	5.1	5.5	255	5.1	6.1	228	5.1	0.10	13598	5.1	0.11	12472	5.1	0.13	10619	5.1	0.15	9155	5.1	0.16	8534	5.1	0.19	7460	5.1	0.20	6993	5.1	0.23	6171	5.1	0.25	5624	5.1	0.29	4849	5.1	0.31	4520	5.1	0.35	3951	5.1	0.38	3704	5.1	0.43	3268	5.1	0.48	2898	5.1	0.56	2463	5.1	0.54	2598	5.1	0.58	2383	5.1	0.69	2029	5.1	0.79	1749	5.1	0.85	1630	5.1	0.98	1425	5.1	1.0	1336	5.1	1.2	1179	5.1	1.3	1074	5.1	1.5	927	5.1	1.6	863	5.1	1.8	755	5.1	2.5	546	5.1	2.8	502	5.1	3.2	429	5.1	3.7	372	5.1	4.0	348	5.1	4.6	301	5.1	5.5	255	5.1	6.1	228	5.1																																																																																																																																																																																																																																																																																																																																																																																																																							
2.8	502	5.1	3.2	429	5.1	3.7	372	5.1	4.0	348	5.1	4.6	301	5.1	5.5	255	5.1	6.1	228	5.1	0.10	13598	5.1	0.11	12472	5.1	0.13	10619	5.1	0.15	9155	5.1	0.16	8534	5.1	0.19	7460	5.1	0.20	6993	5.1	0.23	6171	5.1	0.25	5624	5.1	0.29	4849	5.1	0.31	4520	5.1	0.35	3951	5.1	0.38	3704	5.1	0.43	3268	5.1	0.48	2898	5.1	0.56	2463	5.1	0.54	2598	5.1	0.58	2383	5.1	0.69	2029	5.1	0.79	1749	5.1	0.85	1630	5.1	0.98	1425	5.1	1.0	1336	5.1	1.2	1179	5.1	1.3	1074	5.1	1.5	927	5.1	1.6	863	5.1	1.8	755	5.1	2.5	546	5.1	2.8	502	5.1	3.2	429	5.1	3.7	372	5.1	4.0	348	5.1	4.6	301	5.1	5.5	255	5.1	6.1	228	5.1	0.10	13598	5.1	0.11	12472	5.1	0.13	10619	5.1	0.15	9155	5.1	0.16	8534	5.1	0.19	7460	5.1	0.20	6993	5.1	0.23	6171	5.1	0.25	5624	5.1	0.29	4849	5.1	0.31	4520	5.1	0.35	3951	5.1	0.38	3704	5.1	0.43	3268	5.1	0.48	2898	5.1	0.56	2463	5.1	0.54	2598	5.1	0.58	2383	5.1	0.69	2029	5.1	0.79	1749	5.1	0.85	1630	5.1	0.98	1425	5.1	1.0	1336	5.1	1.2	1179	5.1	1.3	1074	5.1	1.5	927	5.1	1.6	863	5.1	1.8	755	5.1	2.5	546	5.1	2.8	502	5.1	3.2	429	5.1	3.7	372	5.1	4.0	348	5.1	4.6	301	5.1	5.5	255	5.1	6.1	228	5.1																																																																																																																																																																																																																																																																																																																																																																																																																										
3.2	429	5.1	3.7	372	5.1	4.0	348	5.1	4.6	301	5.1	5.5	255	5.1	6.1	228	5.1	0.10	13598	5.1	0.11	12472	5.1	0.13	10619	5.1	0.15	9155	5.1	0.16	8534	5.1	0.19	7460	5.1	0.20	6993	5.1	0.23	6171	5.1	0.25	5624	5.1	0.29	4849	5.1	0.31	4520	5.1	0.35	3951	5.1	0.38	3704	5.1	0.43	3268	5.1	0.48	2898	5.1	0.56	2463	5.1	0.54	2598	5.1	0.58	2383	5.1	0.69	2029	5.1	0.79	1749	5.1	0.85	1630	5.1	0.98	1425	5.1	1.0	1336	5.1	1.2	1179	5.1	1.3	1074	5.1	1.5	927	5.1	1.6	863	5.1	1.8	755	5.1	2.5	546	5.1	2.8	502	5.1	3.2	429	5.1	3.7	372	5.1	4.0	348	5.1	4.6	301	5.1	5.5	255	5.1	6.1	228	5.1	0.10	13598	5.1	0.11	12472	5.1	0.13	10619	5.1	0.15	9155	5.1	0.16	8534	5.1	0.19	7460	5.1	0.20	6993	5.1	0.23	6171	5.1	0.25	5624	5.1	0.29	4849	5.1	0.31	4520	5.1	0.35	3951	5.1	0.38	3704	5.1	0.43	3268	5.1	0.48	2898	5.1	0.56	2463	5.1	0.54	2598	5.1	0.58	2383	5.1	0.69	2029	5.1	0.79	1749	5.1	0.85	1630	5.1	0.98	1425	5.1	1.0	1336	5.1	1.2	1179	5.1	1.3	1074	5.1	1.5	927	5.1	1.6	863	5.1	1.8	755	5.1	2.5	546	5.1	2.8	502	5.1	3.2	429	5.1	3.7	372	5.1	4.0	348	5.1	4.6	301	5.1	5.5	255	5.1	6.1	228	5.1																																																																																																																																																																																																																																																																																																																																																																																																																													
3.7	372	5.1	4.0	348	5.1	4.6	301	5.1	5.5	255	5.1	6.1	228	5.1	0.10	13598	5.1	0.11	12472	5.1	0.13	10619	5.1	0.15	9155	5.1	0.16	8534	5.1	0.19	7460	5.1	0.20	6993	5.1	0.23	6171	5.1	0.25	5624	5.1	0.29	4849	5.1	0.31	4520	5.1	0.35	3951	5.1	0.38	3704	5.1	0.43	3268	5.1	0.48	2898	5.1	0.56	2463	5.1	0.54	2598	5.1	0.58	2383	5.1	0.69	2029	5.1	0.79	1749	5.1	0.85	1630	5.1	0.98	1425	5.1	1.0	1336	5.1	1.2	1179	5.1	1.3	1074	5.1	1.5	927	5.1	1.6	863	5.1	1.8	755	5.1	2.5	546	5.1	2.8	502	5.1	3.2	429	5.1	3.7	372	5.1	4.0	348	5.1	4.6	301	5.1	5.5	255	5.1	6.1	228	5.1	0.10	13598	5.1	0.11	12472	5.1	0.13	10619	5.1	0.15	9155	5.1	0.16	8534	5.1	0.19	7460	5.1	0.20	6993	5.1	0.23	6171	5.1	0.25	5624	5.1	0.29	4849	5.1	0.31	4520	5.1	0.35	3951	5.1	0.38	3704	5.1	0.43	3268	5.1	0.48	2898	5.1	0.56	2463	5.1	0.54	2598	5.1	0.58	2383	5.1	0.69	2029	5.1	0.79	1749	5.1	0.85	1630	5.1	0.98	1425	5.1	1.0	1336	5.1	1.2	1179	5.1	1.3	1074	5.1	1.5	927	5.1	1.6	863	5.1	1.8	755	5.1	2.5	546	5.1	2.8	502	5.1	3.2	429	5.1	3.7	372	5.1	4.0	348	5.1	4.6	301	5.1	5.5	255	5.1	6.1	228	5.1																																																																																																																																																																																																																																																																																																																																																																																																																																
4.0	348	5.1	4.6	301	5.1	5.5	255	5.1	6.1	228	5.1	0.10	13598	5.1	0.11	12472	5.1	0.13	10619	5.1	0.15	9155	5.1	0.16	8534	5.1	0.19	7460	5.1	0.20	6993	5.1	0.23	6171	5.1	0.25	5624	5.1	0.29	4849	5.1	0.31	4520	5.1	0.35	3951	5.1	0.38	3704	5.1	0.43	3268	5.1	0.48	2898	5.1	0.56	2463	5.1	0.54	2598	5.1	0.58	2383	5.1	0.69	2029	5.1	0.79	1749	5.1	0.85	1630	5.1	0.98	1425	5.1	1.0	1336	5.1	1.2	1179	5.1	1.3	1074	5.1	1.5	927	5.1	1.6	863	5.1	1.8	755	5.1	2.5	546	5.1	2.8	502	5.1	3.2	429	5.1	3.7	372	5.1	4.0	348	5.1	4.6	301	5.1	5.5	255	5.1	6.1	228	5.1	0.10	13598	5.1	0.11	12472	5.1	0.13	10619	5.1	0.15	9155	5.1	0.16	8534	5.1	0.19	7460	5.1	0.20	6993	5.1	0.23	6171	5.1	0.25	5624	5.1	0.29	4849	5.1	0.31	4520	5.1	0.35	3951	5.1	0.38	3704	5.1	0.43	3268	5.1	0.48	2898	5.1	0.56	2463	5.1	0.54	2598	5.1	0.58	2383	5.1	0.69	2029	5.1	0.79	1749	5.1	0.85	1630	5.1	0.98	1425	5.1	1.0	1336	5.1	1.2	1179	5.1	1.3	1074	5.1	1.5	927	5.1	1.6	863	5.1	1.8	755	5.1	2.5	546	5.1	2.8	502	5.1	3.2	429	5.1	3.7	372	5.1	4.0	348	5.1	4.6	301	5.1	5.5	255	5.1	6.1	228	5.1																																																																																																																																																																																																																																																																																																																																																																																																																																			
4.6	301	5.1	5.5	255	5.1	6.1	228	5.1	0.10	13598	5.1	0.11	12472	5.1	0.13	10619	5.1	0.15	9155	5.1	0.16	8534	5.1	0.19	7460	5.1	0.20	6993	5.1	0.23	6171	5.1	0.25	5624	5.1	0.29	4849	5.1	0.31	4520	5.1	0.35	3951	5.1	0.38	3704	5.1	0.43	3268	5.1	0.48	2898	5.1	0.56	2463	5.1	0.54	2598	5.1	0.58	2383	5.1	0.69	2029	5.1	0.79	1749	5.1	0.85	1630	5.1	0.98	1425	5.1	1.0	1336	5.1	1.2	1179	5.1	1.3	1074	5.1	1.5	927	5.1	1.6	863	5.1	1.8	755	5.1	2.5	546	5.1	2.8	502	5.1	3.2	429	5.1	3.7	372	5.1	4.0	348	5.1	4.6	301	5.1	5.5	255	5.1	6.1	228	5.1	0.10	13598	5.1	0.11	12472	5.1	0.13	10619	5.1	0.15	9155	5.1	0.16	8534	5.1	0.19	7460	5.1	0.20	6993	5.1	0.23	6171	5.1	0.25	5624	5.1	0.29	4849	5.1	0.31	4520	5.1	0.35	3951	5.1	0.38	3704	5.1	0.43	3268	5.1	0.48	2898	5.1	0.56	2463	5.1	0.54	2598	5.1	0.58	2383	5.1	0.69	2029	5.1	0.79	1749	5.1	0.85	1630	5.1	0.98	1425	5.1	1.0	1336	5.1	1.2	1179	5.1	1.3	1074	5.1	1.5	927	5.1	1.6	863	5.1	1.8	755	5.1	2.5	546	5.1	2.8	502	5.1	3.2	429	5.1	3.7	372	5.1	4.0	348	5.1	4.6	301	5.1	5.5	255	5.1	6.1	228	5.1																																																																																																																																																																																																																																																																																																																																																																																																																																						
5.5	255	5.1	6.1	228	5.1	0.10	13598	5.1	0.11	12472	5.1	0.13	10619	5.1	0.15	9155	5.1	0.16	8534	5.1	0.19	7460	5.1	0.20	6993	5.1	0.23	6171	5.1	0.25	5624	5.1	0.29	4849	5.1	0.31	4520	5.1	0.35	3951	5.1	0.38	3704	5.1	0.43	3268	5.1	0.48	2898	5.1	0.56	2463	5.1	0.54	2598	5.1	0.58	2383	5.1	0.69	2029	5.1	0.79	1749	5.1	0.85	1630	5.1	0.98	1425	5.1	1.0	1336	5.1	1.2	1179	5.1	1.3	1074	5.1	1.5	927	5.1	1.6	863	5.1	1.8	755	5.1	2.5	546	5.1	2.8	502	5.1	3.2	429	5.1	3.7	372	5.1	4.0	348	5.1	4.6	301	5.1	5.5	255	5.1	6.1	228	5.1	0.10	13598	5.1	0.11	12472	5.1	0.13	10619	5.1	0.15	9155	5.1	0.16	8534	5.1	0.19	7460	5.1	0.20	6993	5.1	0.23	6171	5.1	0.25	5624	5.1	0.29	4849	5.1	0.31	4520	5.1	0.35	3951	5.1	0.38	3704	5.1	0.43	3268	5.1	0.48	2898	5.1	0.56	2463	5.1	0.54	2598	5.1	0.58	2383	5.1	0.69	2029	5.1	0.79	1749	5.1	0.85	1630	5.1	0.98	1425	5.1	1.0	1336	5.1	1.2	1179	5.1	1.3	1074	5.1	1.5	927	5.1	1.6	863	5.1	1.8	755	5.1	2.5	546	5.1	2.8	502	5.1	3.2	429	5.1	3.7	372	5.1	4.0	348	5.1	4.6	301	5.1	5.5	255	5.1	6.1	228	5.1																																																																																																																																																																																																																																																																																																																																																																																																																																									
6.1	228	5.1	0.10	13598	5.1	0.11	12472	5.1	0.13	10619	5.1	0.15	9155	5.1	0.16	8534	5.1	0.19	7460	5.1	0.20	6993	5.1	0.23	6171	5.1	0.25	5624	5.1	0.29	4849	5.1	0.31	4520	5.1	0.35	3951	5.1	0.38	3704	5.1	0.43	3268	5.1	0.48	2898	5.1	0.56	2463	5.1	0.54	2598	5.1	0.58	2383	5.1	0.69	2029	5.1	0.79	1749	5.1	0.85	1630	5.1	0.98	1425	5.1	1.0	1336	5.1	1.2	1179	5.1	1.3	1074	5.1	1.5	927	5.1	1.6	863	5.1	1.8	755	5.1	2.5	546	5.1	2.8	502	5.1	3.2	429	5.1	3.7	372	5.1	4.0	348	5.1	4.6	301	5.1	5.5	255	5.1	6.1	228	5.1	0.10	13598	5.1	0.11	12472	5.1	0.13	10619	5.1	0.15	9155	5.1	0.16	8534	5.1	0.19	7460	5.1	0.20	6993	5.1	0.23	6171	5.1	0.25	5624	5.1	0.29	4849	5.1	0.31	4520	5.1	0.35	3951	5.1	0.38	3704	5.1	0.43	3268	5.1	0.48	2898	5.1	0.56	2463	5.1	0.54	2598	5.1	0.58	2383	5.1	0.69	2029	5.1	0.79	1749	5.1	0.85	1630	5.1	0.98	1425	5.1	1.0	1336	5.1	1.2	1179	5.1	1.3	1074	5.1	1.5	927	5.1	1.6	863	5.1	1.8	755	5.1	2.5	546	5.1	2.8	502	5.1	3.2	429	5.1	3.7	372	5.1	4.0	348	5.1	4.6	301	5.1	5.5	255	5.1	6.1	228	5.1																																																																																																																																																																																																																																																																																																																																																																																																																																												
0.10	13598	5.1	0.11	12472	5.1	0.13	10619	5.1	0.15	9155	5.1	0.16	8534	5.1	0.19	7460	5.1	0.20	6993	5.1	0.23	6171	5.1	0.25	5624	5.1	0.29	4849	5.1	0.31	4520	5.1	0.35	3951	5.1	0.38	3704	5.1	0.43	3268	5.1	0.48	2898	5.1	0.56	2463	5.1	0.54	2598	5.1	0.58	2383	5.1	0.69	2029	5.1	0.79	1749	5.1	0.85	1630	5.1	0.98	1425	5.1	1.0	1336	5.1	1.2	1179	5.1	1.3	1074	5.1	1.5	927	5.1	1.6	863	5.1	1.8	755	5.1	2.5	546	5.1	2.8	502	5.1	3.2	429	5.1	3.7	372	5.1	4.0	348	5.1	4.6	301	5.1	5.5	255	5.1	6.1	228	5.1	0.10	13598	5.1	0.11	12472	5.1	0.13	10619	5.1	0.15	9155	5.1	0.16	8534	5.1	0.19	7460	5.1	0.20	6993	5.1	0.23	6171	5.1	0.25	5624	5.1	0.29	4849	5.1	0.31	4520	5.1	0.35	3951	5.1	0.38	3704	5.1	0.43	3268	5.1	0.48	2898	5.1	0.56	2463	5.1	0.54	2598	5.1	0.58	2383	5.1	0.69	2029	5.1	0.79	1749	5.1	0.85	1630	5.1	0.98	1425	5.1	1.0	1336	5.1	1.2	1179	5.1	1.3	1074	5.1	1.5	927	5.1	1.6	863	5.1	1.8	755	5.1	2.5	546	5.1	2.8	502	5.1	3.2	429	5.1	3.7	372	5.1	4.0	348	5.1	4.6	301	5.1	5.5	255	5.1	6.1	228	5.1																																																																																																																																																																																																																																																																																																																																																																																																																																															
0.11	12472	5.1	0.13	10619	5.1	0.15	9155	5.1	0.16	8534	5.1	0.19	7460	5.1	0.20	6993	5.1	0.23	6171	5.1	0.25	5624	5.1	0.29	4849	5.1	0.31	4520	5.1	0.35	3951	5.1	0.38	3704	5.1	0.43	3268	5.1	0.48	2898	5.1	0.56	2463	5.1	0.54	2598	5.1	0.58	2383	5.1	0.69	2029	5.1	0.79	1749	5.1	0.85	1630	5.1	0.98	1425	5.1	1.0	1336	5.1	1.2	1179	5.1	1.3	1074	5.1	1.5	927	5.1	1.6	863	5.1	1.8	755	5.1	2.5	546	5.1	2.8	502	5.1	3.2	429	5.1	3.7	372	5.1	4.0	348	5.1	4.6	301	5.1	5.5	255	5.1	6.1	228	5.1	0.10	13598	5.1	0.11	12472	5.1	0.13	10619	5.1	0.15	9155	5.1	0.16	8534	5.1	0.19	7460	5.1	0.20	6993	5.1	0.23	6171	5.1	0.25	5624	5.1	0.29	4849	5.1	0.31	4520	5.1	0.35	3951	5.1	0.38	3704	5.1	0.43	3268	5.1	0.48	2898	5.1	0.56	2463	5.1	0.54	2598	5.1	0.58	2383	5.1	0.69	2029	5.1	0.79	1749	5.1	0.85	1630	5.1	0.98	1425	5.1	1.0	1336	5.1	1.2	1179	5.1	1.3	1074	5.1	1.5	927	5.1	1.6	863	5.1	1.8	755	5.1	2.5	546	5.1	2.8	502	5.1	3.2	429	5.1	3.7	372	5.1	4.0	348	5.1	4.6	301	5.1	5.5	255	5.1	6.1	228	5.1																																																																																																																																																																																																																																																																																																																																																																																																																																																		
0.13	10619	5.1	0.15	9155	5.1	0.16	8534	5.1	0.19	7460	5.1	0.20	6993	5.1	0.23	6171	5.1	0.25	5624	5.1	0.29	4849	5.1	0.31	4520	5.1	0.35	3951	5.1	0.38	3704	5.1	0.43	3268	5.1	0.48	2898	5.1	0.56	2463	5.1	0.54	2598	5.1	0.58	2383	5.1	0.69	2029	5.1	0.79	1749	5.1	0.85	1630	5.1	0.98	1425	5.1	1.0	1336	5.1	1.2	1179	5.1	1.3	1074	5.1	1.5	927	5.1	1.6	863	5.1	1.8	755	5.1	2.5	546	5.1	2.8	502	5.1	3.2	429	5.1	3.7	372	5.1	4.0	348	5.1	4.6	301	5.1	5.5	255	5.1	6.1	228	5.1	0.10	13598	5.1	0.11	12472	5.1	0.13	10619	5.1	0.15	9155	5.1	0.16	8534	5.1	0.19	7460	5.1	0.20	6993	5.1	0.23	6171	5.1	0.25	5624	5.1	0.29	4849	5.1	0.31	4520	5.1	0.35	3951	5.1	0.38	3704	5.1	0.43	3268	5.1	0.48	2898	5.1	0.56	2463	5.1	0.54	2598	5.1	0.58	2383	5.1	0.69	2029	5.1	0.79	1749	5.1	0.85	1630	5.1	0.98	1425	5.1	1.0	1336	5.1	1.2	1179	5.1	1.3	1074	5.1	1.5	927	5.1	1.6	863	5.1	1.8	755	5.1	2.5	546	5.1	2.8	502	5.1	3.2	429	5.1	3.7	372	5.1	4.0	348	5.1	4.6	301	5.1	5.5	255	5.1	6.1	228	5.1																																																																																																																																																																																																																																																																																																																																																																																																																																																					
0.15	9155	5.1	0.16	8534	5.1	0.19	7460	5.1	0.20	6993	5.1	0.23	6171	5.1	0.25	5624	5.1	0.29	4849	5.1	0.31	4520	5.1	0.35	3951	5.1	0.38	3704	5.1	0.43	3268	5.1	0.48	2898	5.1	0.56	2463	5.1	0.54	2598	5.1	0.58	2383	5.1	0.69	2029	5.1	0.79	1749	5.1	0.85	1630	5.1	0.98	1425	5.1	1.0	1336	5.1	1.2	1179	5.1	1.3	1074	5.1	1.5	927	5.1	1.6	863	5.1	1.8	755	5.1	2.5	546	5.1	2.8	502	5.1	3.2	429	5.1	3.7	372	5.1	4.0	348	5.1	4.6	301	5.1	5.5	255	5.1	6.1	228	5.1	0.10	13598	5.1	0.11	12472	5.1	0.13	10619	5.1	0.15	9155	5.1	0.16	8534	5.1	0.19	7460	5.1	0.20	6993	5.1	0.23	6171	5.1	0.25	5624	5.1	0.29	4849	5.1	0.31	4520	5.1	0.35	3951	5.1	0.38	3704	5.1	0.43	3268	5.1	0.48	2898	5.1	0.56	2463	5.1	0.54	2598	5.1	0.58	2383	5.1	0.69	2029	5.1	0.79	1749	5.1	0.85	1630	5.1	0.98	1425	5.1	1.0	1336	5.1	1.2	1179	5.1	1.3	1074	5.1	1.5	927	5.1	1.6	863	5.1	1.8	755	5.1	2.5	546	5.1	2.8	502	5.1	3.2	429	5.1	3.7	372	5.1	4.0	348	5.1	4.6	301	5.1	5.5	255	5.1	6.1	228	5.1																																																																																																																																																																																																																																																																																																																																																																																																																																																								
0.16	8534	5.1	0.19	7460	5.1	0.20	6993	5.1	0.23	6171	5.1	0.25	5624	5.1	0.29	4849	5.1	0.31	4520	5.1	0.35	3951	5.1	0.38	3704	5.1	0.43	3268	5.1	0.48	2898	5.1	0.56	2463	5.1	0.54	2598	5.1	0.58	2383	5.1	0.69	2029	5.1	0.79	1749	5.1	0.85	1630	5.1	0.98	1425	5.1	1.0	1336	5.1	1.2	1179	5.1	1.3	1074	5.1	1.5	927	5.1	1.6	863	5.1	1.8	755	5.1	2.5	546	5.1	2.8	502	5.1	3.2	429	5.1	3.7	372	5.1	4.0	348	5.1	4.6	301	5.1	5.5	255	5.1	6.1	228	5.1	0.10	13598	5.1	0.11	12472	5.1	0.13	10619	5.1	0.15	9155	5.1	0.16	8534	5.1	0.19	7460	5.1	0.20	6993	5.1	0.23	6171	5.1	0.25	5624	5.1	0.29	4849	5.1	0.31	4520	5.1	0.35	3951	5.1	0.38	3704	5.1	0.43	3268	5.1	0.48	2898	5.1	0.56	2463	5.1	0.54	2598	5.1	0.58	2383	5.1	0.69	2029	5.1	0.79	1749	5.1	0.85	1630	5.1	0.98	1425	5.1	1.0	1336	5.1	1.2	1179	5.1	1.3	1074	5.1	1.5	927	5.1	1.6	863	5.1	1.8	755	5.1	2.5	546	5.1	2.8	502	5.1	3.2	429	5.1	3.7	372	5.1	4.0	348	5.1	4.6	301	5.1	5.5	255	5.1	6.1	228	5.1																																																																																																																																																																																																																																																																																																																																																																																																																																																											
0.19	7460	5.1	0.20	6993	5.1	0.23	6171	5.1	0.25	5624	5.1	0.29	4849	5.1	0.31	4520	5.1	0.35	3951	5.1	0.38	3704	5.1	0.43	3268	5.1	0.48	2898	5.1	0.56	2463	5.1	0.54	2598	5.1	0.58	2383	5.1	0.69	2029	5.1	0.79	1749	5.1	0.85	1630	5.1	0.98	1425	5.1	1.0	1336	5.1	1.2	1179	5.1	1.3	1074	5.1	1.5	927	5.1	1.6	863	5.1	1.8	755	5.1	2.5	546	5.1	2.8	502	5.1	3.2	429	5.1	3.7	372	5.1	4.0	348	5.1	4.6	301	5.1	5.5	255	5.1	6.1	228	5.1	0.10	13598	5.1	0.11	12472	5.1	0.13	10619	5.1	0.15	9155	5.1	0.16	8534	5.1	0.19	7460	5.1	0.20	6993	5.1	0.23	6171	5.1	0.25	5624	5.1	0.29	4849	5.1	0.31	4520	5.1	0.35	3951	5.1	0.38	3704	5.1	0.43	3268	5.1	0.48	2898	5.1	0.56	2463	5.1	0.54	2598	5.1	0.58	2383	5.1	0.69	2029	5.1	0.79	1749	5.1	0.85	1630	5.1	0.98	1425	5.1	1.0	1336	5.1	1.2	1179	5.1	1.3	1074	5.1	1.5	927	5.1	1.6	863	5.1	1.8	755	5.1	2.5	546	5.1	2.8	502	5.1	3.2	429	5.1	3.7	372	5.1	4.0	348	5.1	4.6	301	5.1	5.5	255	5.1	6.1	228	5.1																																																																																																																																																																																																																																																																																																																																																																																																																																																														
0.20	6993	5.1	0.23	6171	5.1	0.25	5624	5.1	0.29	4849	5.1	0.31	4520	5.1	0.35	3951	5.1	0.38	3704	5.1	0.43	3268	5.1	0.48	2898	5.1	0.56	2463	5.1	0.54	2598	5.1	0.58	2383	5.1	0.69	2029	5.1	0.79	1749	5.1	0.85	1630	5.1	0.98	1425	5.1	1.0	1336	5.1	1.2	1179	5.1	1.3	1074	5.1	1.5	927	5.1	1.6	863	5.1	1.8	755	5.1	2.5	546	5.1	2.8	502	5.1	3.2	429	5.1	3.7	372	5.1	4.0	348	5.1	4.6	301	5.1	5.5	255	5.1	6.1	228	5.1	0.10	13598	5.1	0.11	12472	5.1	0.13	10619	5.1	0.15	9155	5.1	0.16	8534	5.1	0.19	7460	5.1	0.20	6993	5.1	0.23	6171	5.1	0.25	5624	5.1	0.29	4849	5.1	0.31	4520	5.1	0.35	3951	5.1	0.38	3704	5.1	0.43	3268	5.1	0.48	2898	5.1	0.56	2463	5.1	0.54	2598	5.1	0.58	2383	5.1	0.69	2029	5.1	0.79	1749	5.1	0.85	1630	5.1	0.98	1425	5.1	1.0	1336	5.1	1.2	1179	5.1	1.3	1074	5.1	1.5	927	5.1	1.6	863	5.1	1.8	755	5.1	2.5	546	5.1	2.8	502	5.1	3.2	429	5.1	3.7	372	5.1	4.0	348	5.1	4.6	301	5.1	5.5	255	5.1	6.1	228	5.1																																																																																																																																																																																																																																																																																																																																																																																																																																																																	
0.23	6171	5.1	0.25	5624	5.1	0.29	4849	5.1	0.31	4520	5.1	0.35	3951	5.1	0.38	3704	5.1	0.43	3268	5.1	0.48	2898	5.1	0.56	2463	5.1	0.54	2598	5.1	0.58	2383	5.1	0.69	2029	5.1	0.79	1749	5.1	0.85	1630	5.1	0.98	1425	5.1	1.0	1336	5.1	1.2	1179	5.1	1.3	1074	5.1	1.5	927	5.1	1.6	863	5.1	1.8	755	5.1	2.5	546	5.1	2.8	502	5.1	3.2	429	5.1	3.7	372	5.1	4.0	348	5.1	4.6	301	5.1	5.5	255	5.1	6.1	228	5.1	0.10	13598	5.1	0.11	12472	5.1	0.13	10619	5.1	0.15	9155	5.1	0.16	8534	5.1	0.19	7460	5.1	0.20	6993	5.1	0.23	6171	5.1	0.25	5624	5.1	0.29	4849	5.1	0.31	4520	5.1	0.35	3951	5.1	0.38	3704	5.1	0.43	3268	5.1	0.48	2898	5.1	0.56	2463	5.1	0.54	2598	5.1	0.58	2383	5.1	0.69	2029	5.1	0.79	1749	5.1	0.85	1630	5.1	0.98	1425	5.1	1.0	1336	5.1	1.2	1179	5.1	1.3	1074	5.1	1.5	927	5.1	1.6	863	5.1	1.8	755	5.1	2.5	546	5.1	2.8	502	5.1	3.2	429	5.1	3.7	372	5.1	4.0	348	5.1	4.6	301	5.1	5.5	255	5.1	6.1	228	5.1																																																																																																																																																																																																																																																																																																																																																																																																																																																																				
0.25	5624	5.1	0.29	4849	5.1	0.31	4520	5.1	0.35	3951	5.1	0.38	3704	5.1	0.43	3268	5.1	0.48	2898	5.1	0.56	2463	5.1	0.54	2598	5.1	0.58	2383	5.1	0.69	2029	5.1	0.79	1749	5.1	0.85	1630	5.1	0.98	1425	5.1	1.0	1336	5.1	1.2	1179	5.1	1.3	1074	5.1	1.5	927	5.1	1.6	863	5.1	1.8	755	5.1	2.5	546	5.1	2.8	502	5.1	3.2	429	5.1	3.7	372	5.1	4.0	348	5.1	4.6	301	5.1	5.5	255	5.1	6.1	228	5.1	0.10	13598	5.1	0.11	12472	5.1	0.13	10619	5.1	0.15	9155	5.1	0.16	8534	5.1	0.19	7460	5.1	0.20	6993	5.1	0.23	6171	5.1	0.25	5624	5.1	0.29	4849	5.1	0.31	4520	5.1	0.35	3951	5.1	0.38	3704	5.1	0.43	3268	5.1	0.48	2898	5.1	0.56	2463	5.1	0.54	2598	5.1	0.58	2383	5.1	0.69	2029	5.1	0.79	1749	5.1	0.85	1630	5.1	0.98	1425	5.1	1.0	1336	5.1	1.2	1179	5.1	1.3	1074	5.1	1.5	927	5.1	1.6	863	5.1	1.8	755	5.1	2.5	546	5.1	2.8	502	5.1	3.2	429	5.1	3.7	372	5.1	4.0	348	5.1	4.6	301	5.1	5.5	255	5.1	6.1	228	5.1																																																																																																																																																																																																																																																																																																																																																																																																																																																																							
0.29	4849	5.1	0.31	4520	5.1	0.35	3951	5.1	0.38	3704	5.1	0.43	3268	5.1	0.48	2898	5.1	0.56	2463	5.1	0.54	2598	5.1	0.58	2383	5.1	0.69	2029	5.1	0.79	1749	5.1	0.85	1630	5.1	0.98	1425	5.1	1.0	1336	5.1	1.2	1179	5.1	1.3	1074	5.1	1.5	927	5.1	1.6	863	5.1	1.8	755	5.1	2.5	546	5.1	2.8	502	5.1	3.2	429	5.1	3.7	372	5.1	4.0	348	5.1	4.6	301	5.1	5.5	255	5.1	6.1	228	5.1	0.10	13598	5.1	0.11	12472	5.1	0.13	10619	5.1	0.15	9155	5.1	0.16	8534	5.1	0.19	7460	5.1	0.20	6993	5.1	0.23	6171	5.1	0.25	5624	5.1	0.29	4849	5.1	0.31	4520	5.1	0.35	3951	5.1	0.38	3704	5.1	0.43	3268	5.1	0.48	2898	5.1	0.56	2463	5.1	0.54	2598	5.1	0.58	2383	5.1	0.69	2029	5.1	0.79	1749	5.1	0.85	1630	5.1	0.98	1425	5.1	1.0	1336	5.1	1.2	1179	5.1	1.3	1074	5.1	1.5	927	5.1	1.6	863	5.1	1.8	755	5.1	2.5	546	5.1	2.8	502	5.1	3.2	429	5.1	3.7	372	5.1	4.0	348	5.1	4.6	301	5.1	5.5	255	5.1	6.1	228	5.1																																																																																																																																																																																																																																																																																																																																																																																																																																																																										
0.31	4520	5.1	0.35	3951	5.1	0.38	3704	5.1	0.43	3268	5.1	0.48	2898	5.1	0.56	2463	5.1	0.54	2598	5.1	0.58	2383	5.1	0.69	2029	5.1	0.79	1749	5.1	0.85	1630	5.1	0.98	1425	5.1	1.0	1336	5.1	1.2	1179	5.1	1.3	1074	5.1	1.5	927	5.1	1.6	863	5.1	1.8	755	5.1	2.5	546	5.1	2.8	502	5.1	3.2	429	5.1	3.7	372	5.1	4.0	348	5.1	4.6	301	5.1	5.5	255	5.1	6.1	228	5.1	0.10	13598	5.1	0.11	12472	5.1	0.13	10619	5.1	0.15	9155	5.1	0.16	8534	5.1	0.19	7460	5.1	0.20	6993	5.1	0.23	6171	5.1	0.25	5624	5.1	0.29	4849	5.1	0.31	4520	5.1	0.35	3951	5.1	0.38	3704	5.1	0.43	3268	5.1	0.48	2898	5.1	0.56	2463	5.1	0.54	2598	5.1	0.58	2383	5.1	0.69	2029	5.1	0.79	1749	5.1	0.85	1630	5.1	0.98	1425	5.1	1.0	1336	5.1	1.2	1179	5.1	1.3	1074	5.1	1.5	927	5.1	1.6	863	5.1	1.8	755	5.1	2.5	546	5.1	2.8	502	5.1	3.2	429	5.1	3.7	372	5.1	4.0	348	5.1	4.6	301	5.1	5.5	255	5.1	6.1	228	5.1																																																																																																																																																																																																																																																																																																																																																																																																																																																																													
0.35	3951	5.1	0.38	3704	5.1	0.43	3268	5.1	0.48	2898	5.1	0.56	2463	5.1	0.54	2598	5.1	0.58	2383	5.1	0.69	2029	5.1	0.79	1749	5.1	0.85	1630	5.1	0.98	1425	5.1	1.0	1336	5.1	1.2	1179	5.1	1.3	1074	5.1	1.5	927	5.1	1.6	863	5.1	1.8	755	5.1	2.5	546	5.1	2.8	502	5.1	3.2	429	5.1	3.7	372	5.1	4.0	348	5.1	4.6	301	5.1	5.5	255	5.1	6.1	228	5.1	0.10	13598	5.1	0.11	12472	5.1	0.13	10619	5.1	0.15	9155	5.1	0.16	8534	5.1	0.19	7460	5.1	0.20	6993	5.1	0.23	6171	5.1	0.25	5624	5.1	0.29	4849	5.1	0.31	4520	5.1	0.35	3951	5.1	0.38	3704	5.1	0.43	3268	5.1	0.48	2898	5.1	0.56	2463	5.1	0.54	2598	5.1	0.58	2383	5.1	0.69	2029	5.1	0.79	1749	5.1	0.85	1630	5.1	0.98	1425	5.1	1.0	1336	5.1	1.2	1179	5.1	1.3	1074	5.1	1.5	927	5.1	1.6	863	5.1	1.8	755	5.1	2.5	546	5.1	2.8	502	5.1	3.2	429	5.1	3.7	372	5.1	4.0	348	5.1	4.6	301	5.1	5.5	255	5.1	6.1	228	5.1																																																																																																																																																																																																																																																																																																																																																																																																																																																																																
0.38	3704	5.1	0.43	3268	5.1	0.48	2898	5.1	0.56	2463	5.1	0.54	2598	5.1	0.58	2383	5.1	0.69	2029	5.1	0.79	1749	5.1	0.85	1630	5.1	0.98	1425	5.1	1.0	1336	5.1	1.2	1179	5.1	1.3	1074	5.1	1.5	927	5.1	1.6	863	5.1	1.8	755	5.1	2.5	546	5.1	2.8	502	5.1	3.2	429	5.1	3.7	372	5.1	4.0	348	5.1	4.6	301	5.1	5.5	255	5.1	6.1	228	5.1	0.10	13598	5.1	0.11	12472	5.1	0.13	10619	5.1	0.15	9155	5.1	0.16	8534	5.1	0.19	7460	5.1	0.20	6993	5.1	0.23	6171	5.1	0.25	5624	5.1	0.29	4849	5.1	0.31	4520	5.1	0.35	3951	5.1	0.38	3704	5.1	0.43	3268	5.1	0.48	2898	5.1	0.56	2463	5.1	0.54	2598	5.1	0.58	2383	5.1	0.69	2029	5.1	0.79	1749	5.1	0.85	1630	5.1	0.98	1425	5.1	1.0	1336	5.1	1.2	1179	5.1	1.3	1074	5.1	1.5	927	5.1	1.6	863	5.1	1.8	755	5.1	2.5	546	5.1	2.8	502	5.1	3.2	429	5.1	3.7	372	5.1	4.0	348	5.1	4.6	301	5.1	5.5	255	5.1	6.1	228	5.1																																																																																																																																																																																																																																																																																																																																																																																																																																																																																			
0.43	3268	5.1	0.48	2898	5.1	0.56	2463	5.1	0.54	2598	5.1	0.58	2383	5.1	0.69	2029	5.1	0.79	1749	5.1	0.85	1630	5.1	0.98	1425	5.1	1.0	1336	5.1	1.2	1179	5.1	1.3	1074	5.1	1.5	927	5.1	1.6	863	5.1	1.8	755	5.1	2.5	546	5.1	2.8	502	5.1	3.2	429	5.1	3.7	372	5.1	4.0	348	5.1	4.6	301	5.1	5.5	255	5.1	6.1	228	5.1	0.10	13598	5.1	0.11	12472	5.1	0.13	10619	5.1	0.15	9155	5.1	0.16	8534	5.1	0.19	7460	5.1	0.20	6993	5.1	0.23	6171	5.1	0.25	5624	5.1	0.29	4849	5.1	0.31	4520	5.1	0.35	3951	5.1	0.38	3704	5.1	0.43	3268	5.1	0.48	2898	5.1	0.56	2463	5.1	0.54	2598	5.1	0.58	2383	5.1	0.69	2029	5.1	0.79	1749	5.1	0.85	1630	5.1	0.98	1425	5.1	1.0	1336	5.1	1.2	1179	5.1	1.3	1074	5.1	1.5	927	5.1	1.6	863	5.1	1.8	755	5.1	2.5	546	5.1	2.8	502	5.1	3.2	429	5.1	3.7	372	5.1	4.0	348	5.1	4.6	301	5.1	5.5	255	5.1	6.1	228	5.1																																																																																																																																																																																																																																																																																																																																																																																																																																																																																						
0.48	2898	5.1	0.56	2463	5.1	0.54	2598	5.1	0.58	2383	5.1	0.69	2029	5.1	0.79	1749	5.1	0.85	1630	5.1	0.98	1425	5.1	1.0	1336	5.1	1.2	1179	5.1	1.3	1074	5.1	1.5	927	5.1	1.6	863	5.1	1.8	755	5.1	2.5	546	5.1	2.8	502	5.1	3.2	429	5.1	3.7	372	5.1	4.0	348	5.1	4.6	301	5.1	5.5	255	5.1	6.1	228	5.1	0.10	13598	5.1	0.11	12472	5.1	0.13	10619	5.1	0.15	9155	5.1	0.16	8534	5.1	0.19	7460	5.1	0.20	6993	5.1	0.23	6171	5.1	0.25	5624	5.1	0.29	4849	5.1	0.31	4520	5.1	0.35	3951	5.1	0.38	3704	5.1	0.43	3268	5.1	0.48	2898	5.1	0.56	2463	5.1	0.54	2598	5.1	0.58	2383	5.1	0.69	2029	5.1	0.79	1749	5.1	0.85	1630	5.1	0.98	1425	5.1	1.0	1336	5.1	1.2	1179	5.1	1.3	1074	5.1	1.5	927	5.1	1.6	863	5.1	1.8	755	5.1	2.5	546	5.1	2.8	502	5.1	3.2	429	5.1	3.7	372	5.1	4.0	348	5.1	4.6	301	5.1	5.5	255	5.1	6.1	228	5.1																																																																																																																																																																																																																																																																																																																																																																																																																																																																																									
0.56	2463	5.1	0.54	2598	5.1	0.58	2383	5.1	0.69	2029	5.1	0.79	1749	5.1	0.85	1630	5.1	0.98	1425	5.1	1.0	1336	5.1	1.2	1179	5.1	1.3	1074	5.1	1.5	927	5.1	1.6	863	5.1	1.8	755	5.1	2.5	546	5.1	2.8	502	5.1	3.2	429	5.1	3.7	372	5.1	4.0	348	5.1	4.6	301	5.1	5.5	255	5.1	6.1	228	5.1	0.10	13598	5.1	0.11	12472	5.1	0.13	10619	5.1	0.15	9155	5.1	0.16	8534	5.1	0.19	7460	5.1	0.20	6993	5.1	0.23	6171	5.1	0.25	5624	5.1	0.29	4849	5.1	0.31	4520	5.1	0.35	3951	5.1	0.38	3704	5.1	0.43	3268	5.1	0.48	2898	5.1	0.56	2463	5.1	0.54	2598	5.1	0.58	2383	5.1	0.69	2029	5.1	0.79	1749	5.1	0.85	1630	5.1	0.98	1425	5.1	1.0	1336	5.1	1.2	1179	5.1	1.3	1074	5.1	1.5	927	5.1	1.6	863	5.1	1.8	755	5.1	2.5	546	5.1	2.8	502	5.1	3.2	429	5.1	3.7	372	5.1	4.0	348	5.1	4.6	301	5.1	5.5	255	5.1	6.1	228	5.1																																																																																																																																																																																																																																																																																																																																																																																																																																																																																												
0.54	2598	5.1	0.58	2383	5.1	0.69	2029	5.1	0.79	1749	5.1	0.85	1630	5.1	0.98	1425	5.1	1.0	1336	5.1	1.2	1179	5.1	1.3	1074	5.1	1.5	927	5.1	1.6	863	5.1	1.8	755	5.1	2.5	546	5.1	2.8	502	5.1	3.2	429	5.1	3.7	372	5.1	4.0	348	5.1	4.6	301	5.1	5.5	255	5.1	6.1	228	5.1	0.10	13598	5.1	0.11	12472	5.1	0.13	10619	5.1	0.15	9155	5.1	0.16	8534	5.1	0.19	7460	5.1	0.20	6993	5.1	0.23	6171	5.1	0.25	5624	5.1	0.29	4849	5.1	0.31	4520	5.1	0.35	3951	5.1	0.38	3704	5.1	0.43	3268	5.1	0.48	2898	5.1	0.56	2463	5.1	0.54	2598	5.1	0.58	2383	5.1	0.69	2029	5.1	0.79	1749	5.1	0.85	1630	5.1	0.98	1425	5.1	1.0	1336	5.1	1.2	1179	5.1	1.3	1074	5.1	1.5	927	5.1	1.6	863	5.1	1.8	755	5.1	2.5	546	5.1	2.8	502	5.1	3.2	429	5.1	3.7	372	5.1	4.0	348	5.1	4.6	301	5.1	5.5	255	5.1	6.1	228	5.1																																																																																																																																																																																																																																																																																																																																																																																																																																																																																															
0.58	2383	5.1	0.69	2029	5.1	0.79	1749	5.1	0.85	1630	5.1	0.98	1425	5.1	1.0	1336	5.1	1.2	1179	5.1	1.3	1074	5.1	1.5	927	5.1	1.6	863	5.1	1.8	755	5.1	2.5	546	5.1	2.8	502	5.1	3.2	429	5.1	3.7	372	5.1	4.0	348	5.1	4.6	301	5.1	5.5	255	5.1	6.1	228	5.1	0.10	13598	5.1	0.11	12472	5.1	0.13	10619	5.1	0.15	9155	5.1	0.16	8534	5.1	0.19	7460	5.1	0.20	6993	5.1	0.23	6171	5.1	0.25	5624	5.1	0.29	4849	5.1	0.31	4520	5.1	0.35	3951	5.1	0.38	3704	5.1	0.43	3268	5.1	0.48	2898	5.1	0.56	2463	5.1	0.54	2598	5.1	0.58	2383	5.1	0.69	2029	5.1	0.79	1749	5.1	0.85	1630	5.1	0.98	1425	5.1	1.0	1336	5.1	1.2	1179	5.1	1.3	1074	5.1	1.5	927	5.1	1.6	863	5.1	1.8	755	5.1	2.5	546	5.1	2.8	502	5.1	3.2	429	5.1	3.7	372	5.1	4.0	348	5.1	4.6	301	5.1	5.5	255	5.1	6.1	228	5.1																																																																																																																																																																																																																																																																																																																																																																																																																																																																																																		
0.69	2029	5.1	0.79	1749	5.1	0.85	1630	5.1	0.98	1425	5.1	1.0	1336	5.1	1.2	1179	5.1	1.3	1074	5.1	1.5	927	5.1	1.6	863	5.1	1.8	755	5.1	2.5	546	5.1	2.8	502	5.1	3.2	429	5.1	3.7	372	5.1	4.0	348	5.1	4.6	301	5.1	5.5	255	5.1	6.1	228	5.1	0.10	13598	5.1	0.11	12472	5.1	0.13	10619	5.1	0.15	9155	5.1	0.16	8534	5.1	0.19	7460	5.1	0.20	6993	5.1	0.23	6171	5.1	0.25	5624	5.1	0.29	4849	5.1	0.31	4520	5.1	0.35	3951	5.1	0.38	3704	5.1	0.43	3268	5.1	0.48	2898	5.1	0.56	2463	5.1	0.54	2598	5.1	0.58	2383	5.1	0.69	2029	5.1	0.79	1749	5.1	0.85	1630	5.1	0.98	1425	5.1	1.0	1336	5.1	1.2	1179	5.1	1.3	1074	5.1	1.5	927	5.1	1.6	863	5.1	1.8	755	5.1	2.5	546	5.1	2.8	502	5.1	3.2	429	5.1	3.7	372	5.1	4.0	348	5.1	4.6	301	5.1	5.5	255	5.1	6.1	228	5.1																																																																																																																																																																																																																																																																																																																																																																																																																																																																																																					
0.79	1749	5.1	0.85	1630	5.1	0.98	1425	5.1	1.0	1336	5.1	1.2	1179	5.1	1.3	1074	5.1	1.5	927	5.1	1.6	863	5.1	1.8	755	5.1	2.5	546	5.1	2.8	502	5.1	3.2	429	5.1	3.7	372	5.1	4.0	348	5.1	4.6	301	5.1	5.5	255	5.1	6.1	228	5.1	0.10	13598	5.1	0.11	12472	5.1	0.13	10619	5.1	0.15	9155	5.1	0.16	8534	5.1	0.19	7460	5.1	0.20	6993	5.1	0.23	6171	5.1	0.25	5624	5.1	0.29	4849	5.1	0.31	4520	5.1	0.35	3951	5.1	0.38	3704	5.1	0.43	3268	5.1	0.48	2898	5.1	0.56	2463	5.1	0.54	2598	5.1	0.58	2383	5.1	0.69	2029	5.1	0.79	1749	5.1	0.85	1630	5.1	0.98	1425	5.1	1.0	1336	5.1	1.2	1179	5.1	1.3	1074	5.1	1.5	927	5.1	1.6	863	5.1	1.8	755	5.1	2.5	546	5.1	2.8	502	5.1	3.2	429	5.1	3.7	372	5.1	4.0	348	5.1	4.6	301	5.1	5.5	255	5.1	6.1	228	5.1																																																																																																																																																																																																																																																																																																																																																																																																																																																																																																								
0.85	1630	5.1	0.98	1425	5.1	1.0	1336	5.1	1.2	1179	5.1	1.3	1074	5.1	1.5	927	5.1	1.6	863	5.1	1.8	755	5.1	2.5	546	5.1	2.8	502	5.1	3.2	429	5.1	3.7	372	5.1	4.0	348	5.1	4.6	301	5.1	5.5	255	5.1	6.1	228	5.1	0.10	13598	5.1	0.11	12472	5.1	0.13	10619	5.1	0.15	9155	5.1	0.16	8534	5.1	0.19	7460	5.1	0.20	6993	5.1	0.23	6171	5.1	0.25	5624	5.1	0.29	4849	5.1	0.31	4520	5.1	0.35	3951	5.1	0.38	3704	5.1	0.43	3268	5.1	0.48	2898	5.1	0.56	2463	5.1	0.54	2598	5.1	0.58	2383	5.1	0.69	2029	5.1	0.79	1749	5.1	0.85	1630	5.1	0.98	1425	5.1	1.0	1336	5.1	1.2	1179	5.1	1.3	1074	5.1	1.5	927	5.1	1.6	863	5.1	1.8	755	5.1	2.5	546	5.1	2.8	502	5.1	3.2	429	5.1	3.7	372	5.1	4.0	348	5.1	4.6	301	5.1	5.5	255	5.1	6.1	228	5.1																																																																																																																																																																																																																																																																																																																																																																																																																																																																																																											
0.98	1425	5.1	1.0	1336	5.1	1.2	1179	5.1	1.3	1074	5.1	1.5	927	5.1	1.6	863	5.1	1.8	755	5.1	2.5	546	5.1	2.8	502	5.1	3.2	429	5.1	3.7	372	5.1	4.0	348	5.1	4.6	301	5.1	5.5	255	5.1	6.1	228	5.1	0.10	13598	5.1	0.11	12472	5.1	0.13	10619	5.1	0.15	9155	5.1	0.16	8534	5.1	0.19	7460	5.1	0.20	6993	5.1	0.23	6171	5.1	0.25	5624	5.1	0.29	4849	5.1	0.31	4520	5.1	0.35	3951	5.1	0.38	3704	5.1	0.43	3268	5.1	0.48	2898	5.1	0.56	2463	5.1	0.54	2598	5.1	0.58	2383	5.1	0.69	2029	5.1	0.79	1749	5.1	0.85	1630	5.1	0.98	1425	5.1	1.0	1336	5.1	1.2	1179	5.1	1.3	1074	5.1	1.5	927	5.1	1.6	863	5.1	1.8	755	5.1	2.5	546	5.1	2.8	502	5.1	3.2	429	5.1	3.7	372	5.1	4.0	348	5.1	4.6	301	5.1	5.5	255	5.1	6.1	228	5.1																																																																																																																																																																																																																																																																																																																																																																																																																																																																																																														
1.0	1336	5.1	1.2	1179	5.1	1.3	1074	5.1	1.5	927	5.1	1.6	863	5.1	1.8	755	5.1	2.5	546	5.1	2.8	502	5.1	3.2	429	5.1	3.7	372	5.1	4.0	348	5.1	4.6	301	5.1	5.5	255	5.1	6.1	228	5.1	0.10	13598	5.1	0.11	12472	5.1	0.13	10619	5.1	0.15	9155	5.1	0.16	8534	5.1	0.19	7460	5.1	0.20	6993	5.1	0.23	6171	5.1	0.25	5624	5.1	0.29	4849	5.1	0.31	4520	5.1	0.35	3951	5.1	0.38	3704	5.1	0.43	3268	5.1	0.48	2898	5.1	0.56	2463	5.1	0.54	2598	5.1	0.58	2383	5.1	0.69	2029	5.1	0.79	1749	5.1	0.85	1630	5.1	0.98	1425	5.1	1.0	1336	5.1	1.2	1179	5.1	1.3	1074	5.1	1.5	927	5.1	1.6	863	5.1	1.8	755	5.1	2.5	546	5.1	2.8	502	5.1	3.2	429	5.1	3.7	372	5.1	4.0	348	5.1	4.6	301	5.1	5.5	255	5.1	6.1	228	5.1																																																																																																																																																																																																																																																																																																																																																																																																																																																																																																																	
1.2	1179	5.1	1.3	1074	5.1	1.5	927	5.1	1.6	863	5.1	1.8	755	5.1	2.5	546	5.1	2.8	502	5.1	3.2	429	5.1	3.7	372	5.1	4.0	348	5.1	4.6	301	5.1	5.5	255	5.1	6.1	228	5.1	0.10	13598	5.1	0.11	12472	5.1	0.13	10619	5.1	0.15	9155	5.1	0.16	8534	5.1	0.19	7460	5.1	0.20	6993	5.1	0.23	6171	5.1	0.25	5624	5.1	0.29	4849	5.1	0.31	4520	5.1	0.35	3951	5.1	0.38	3704	5.1	0.43	3268	5.1	0.48	2898	5.1	0.56	2463	5.1	0.54	2598	5.1	0.58	2383	5.1	0.69	2029	5.1	0.79	1749	5.1	0.85	1630	5.1	0.98	1425	5.1	1.0	1336	5.1	1.2	1179	5.1	1.3	1074	5.1	1.5	927	5.1	1.6	863	5.1	1.8	755	5.1	2.5	546	5.1	2.8	502	5.1	3.2	429	5.1	3.7	372	5.1	4.0	348	5.1	4.6	301	5.1	5.5	255	5.1	6.1	228	5.1																																																																																																																																																																																																																																																																																																																																																																																																																																																																																																																				
1.3	1074	5.1	1.5	927	5.1	1.6	863	5.1	1.8	755	5.1	2.5	546	5.1	2.8	502	5.1	3.2	429	5.1	3.7	372	5.1	4.0	348	5.1	4.6	301	5.1	5.5	255	5.1	6.1	228	5.1	0.10	13598	5.1	0.11	12472	5.1	0.13	10619	5.1	0.15	9155	5.1	0.16	8534	5.1	0.19	7460	5.1	0.20	6993	5.1	0.23	6171	5.1	0.25	5624	5.1	0.29	4849	5.1	0.31	4520	5.1	0.35	3951	5.1	0.38	3704	5.1	0.43	3268	5.1	0.48	2898	5.1	0.56	2463	5.1	0.54	2598	5.1	0.58	2383	5.1	0.69	2029	5.1	0.79	1749	5.1	0.85	1630	5.1	0.98	1425	5.1	1.0	1336	5.1	1.2	1179	5.1	1.3	1074	5.1	1.5	927	5.1	1.6	863	5.1	1.8	755	5.1	2.5	546	5.1	2.8	502	5.1	3.2	429	5.1	3.7	372	5.1	4.0	348	5.1	4.6	301	5.1	5.5	255	5.1	6.1	228	5.1																																																																																																																																																																																																																																																																																																																																																																																																																																																																																																																							
1.5	927	5.1	1.6	863	5.1	1.8	755	5.1	2.5	546	5.1	2.8	502	5.1	3.2	429	5.1	3.7	372	5.1	4.0	348	5.1	4.6	301	5.1	5.5	255	5.1	6.1	228	5.1	0.10	13598	5.1	0.11	12472	5.1	0.13	10619	5.1	0.15	9155	5.1	0.16	8534	5.1	0.19	7460	5.1	0.20	6993	5.1	0.23	6171	5.1	0.25	5624	5.1	0.29	4849	5.1	0.31	4520	5.1	0.35	3951	5.1	0.38	3704	5.1	0.43	3268	5.1	0.48	2898	5.1	0.56	2463	5.1	0.54	2598	5.1	0.58	2383	5.1	0.69	2029	5.1	0.79	1749	5.1	0.85	1630	5.1	0.98	1425	5.1	1.0	1336	5.1	1.2	1179	5.1	1.3	1074	5.1	1.5	927	5.1	1.6	863	5.1	1.8	755	5.1	2.5	546	5.1	2.8	502	5.1	3.2	429	5.1	3.7	372	5.1	4.0	348	5.1	4.6	301	5.1	5.5	255	5.1	6.1	228	5.1																																																																																																																																																																																																																																																																																																																																																																																																																																																																																																																										
1.6	863	5.1	1.8	755	5.1	2.5	546	5.1	2.8	502	5.1	3.2	429	5.1	3.7	372	5.1	4.0	348	5.1	4.6	301	5.1	5.5	255	5.1	6.1	228	5.1	0.10	13598	5.1	0.11	12472	5.1	0.13	10619	5.1	0.15	9155	5.1	0.16	8534	5.1	0.19	7460	5.1	0.20	6993	5.1	0.23	6171	5.1	0.25	5624	5.1	0.29	4849	5.1	0.31	4520	5.1	0.35	3951	5.1	0.38	3704	5.1	0.43	3268	5.1	0.48	2898	5.1	0.56	2463	5.1	0.54	2598	5.1	0.58	2383	5.1	0.69	2029	5.1	0.79	1749	5.1	0.85	1630	5.1	0.98	1425	5.1	1.0	1336	5.1	1.2	1179	5.1	1.3	1074	5.1	1.5	927	5.1	1.6	863	5.1	1.8	755	5.1	2.5	546	5.1	2.8	502	5.1	3.2	429	5.1	3.7	372	5.1	4.0	348	5.1	4.6	301	5.1	5.5	255	5.1	6.1	228	5.1																																																																																																																																																																																																																																																																																																																																																																																																																																																																																																																													
1.8	755	5.1	2.5	546	5.1	2.8	502	5.1	3.2	429	5.1	3.7	372	5.1	4.0	348	5.1	4.6	301	5.1	5.5	255	5.1	6.1	228	5.1	0.10	13598	5.1	0.11	12472	5.1	0.13	10619	5.1	0.15	9155	5.1	0.16	8534	5.1	0.19	7460	5.1	0.20	6993	5.1	0.23	6171	5.1	0.25	5624	5.1	0.29	4849	5.1	0.31	4520	5.1	0.35	3951	5.1	0.38	3704	5.1	0.43	3268	5.1	0.48	2898	5.1	0.56	2463	5.1	0.54	2598	5.1	0.58	2383	5.1	0.69	2029	5.1	0.79	1749	5.1	0.85	1630	5.1	0.98	1425	5.1	1.0	1336	5.1	1.2	1179	5.1	1.3	1074	5.1	1.5	927	5.1	1.6	863	5.1	1.8	755	5.1	2.5	546	5.1	2.8	502	5.1	3.2	429	5.1	3.7	372	5.1	4.0	348	5.1	4.6	301	5.1	5.5	255	5.1	6.1	228	5.1																																																																																																																																																																																																																																																																																																																																																																																																																																																																																																																																
2.5	546	5.1	2.8	502	5.1	3.2	429	5.1	3.7	372	5.1	4.0	348	5.1	4.6	301	5.1	5.5	255	5.1	6.1	228	5.1	0.10	13598	5.1	0.11	12472	5.1	0.13	10619	5.1	0.15	9155	5.1	0.16	8534	5.1	0.19	7460	5.1	0.20	6993	5.1	0.23	6171	5.1	0.25	5624	5.1	0.29	4849	5.1	0.31	4520	5.1	0.35	3951	5.1	0.38	3704	5.1	0.43	3268	5.1	0.48	2898	5.1	0.56	2463	5.1	0.54	2598	5.1	0.58	2383	5.1	0.69	2029	5.1	0.79	1749	5.1	0.85	1630	5.1	0.98	1425	5.1	1.0	1336	5.1	1.2	1179	5.1	1.3	1074	5.1	1.5	927	5.1	1.6	863	5.1	1.8	755	5.1	2.5	546	5.1	2.8	502	5.1	3.2	429	5.1	3.7	372	5.1	4.0	348	5.1	4.6	301	5.1	5.5	255	5.1	6.1	228	5.1																																																																																																																																																																																																																																																																																																																																																																																																																																																																																																																																			
2.8	502	5.1	3.2	429	5.1	3.7	372	5.1	4.0	348	5.1	4.6	301	5.1	5.5	255	5.1	6.1	228	5.1	0.10	13598	5.1	0.11	12472	5.1	0.13	10619	5.1	0.15	9155	5.1	0.16	8534	5.1	0.19	7460	5.1	0.20	6993	5.1	0.23	6171	5.1	0.25	5624	5.1	0.29	4849	5.1	0.31	4520	5.1	0.35	3951	5.1	0.38	3704	5.1	0.43	3268	5.1	0.48	2898	5.1	0.56	2463	5.1	0.54	2598	5.1	0.58	2383	5.1	0.69	2029	5.1	0.79	1749	5.1	0.85	1630	5.1	0.98	1425	5.1	1.0	1336	5.1	1.2	1179	5.1	1.3	1074	5.1	1.5	927	5.1	1.6	863	5.1	1.8	755	5.1	2.5	546	5.1	2.8	502	5.1	3.2	429	5.1	3.7	372	5.1	4.0	348	5.1	4.6	301	5.1	5.5	255	5.1	6.1	228	5.1																																																																																																																																																																																																																																																																																																																																																																																																																																																																																																																																						
3.2	429	5.1	3.7	372	5.1	4.0	348	5.1	4.6	301	5.1	5.5	255	5.1	6.1	228	5.1	0.10	13598	5.1	0.11	12472	5.1	0.13	10619	5.1	0.15	9155	5.1	0.16	8534	5.1	0.19	7460	5.1	0.20	6993	5.1	0.23	6171	5.1	0.25	5624	5.1	0.29	4849	5.1	0.31	4520	5.1	0.35	3951	5.1	0.38	3704	5.1	0.43	3268	5.1	0.48	2898	5.1	0.56	2463	5.1	0.54	2598	5.1	0.58	2383	5.1	0.69	2029	5.1	0.79	1749	5.1	0.85	1630	5.1	0.98	1425	5.1	1.0	1336	5.1	1.2	1179	5.1	1.3	1074	5.1	1.5	927	5.1	1.6	863	5.1	1.8	755	5.1	2.5	546	5.1	2.8	502	5.1	3.2	429	5.1	3.7	372	5.1	4.0	348	5.1	4.6	301	5.1	5.5	255	5.1	6.1	228	5.1																																																																																																																																																																																																																																																																																																																																																																																																																																																																																																																																									
3.7	372	5.1	4.0	348	5.1	4.6	301	5.1	5.5	255	5.1	6.1	228	5.1	0.10	13598	5.1	0.11	12472	5.1	0.13	10619	5.1	0.15	9155	5.1	0.16	8534	5.1	0.19	7460	5.1	0.20	6993	5.1	0.23	6171	5.1	0.25	5624	5.1	0.29	4849	5.1	0.31	4520	5.1	0.35	3951	5.1	0.38	3704	5.1	0.43	3268	5.1	0.48	2898	5.1	0.56	2463	5.1	0.54	2598	5.1	0.58	2383	5.1	0.69	2029	5.1	0.79	1749	5.1	0.85	1630	5.1	0.98	1425	5.1	1.0	1336	5.1	1.2	1179	5.1	1.3	1074	5.1	1.5	927	5.1	1.6	863	5.1	1.8	755	5.1	2.5	546	5.1	2.8	502	5.1	3.2	429	5.1	3.7	372	5.1	4.0	348	5.1	4.6	301	5.1	5.5	255	5.1	6.1	228	5.1																																																																																																																																																																																																																																																																																																																																																																																																																																																																																																																																												
4.0	348	5.1	4.6	301	5.1	5.5	255	5.1	6.1	228	5.1	0.10	13598	5.1	0.11	12472	5.1	0.13	10619	5.1	0.15	9155	5.1	0.16	8534	5.1	0.19	7460	5.1	0.20	6993	5.1	0.23	6171	5.1	0.25	5624	5.1	0.29	4849	5.1	0.31	4520	5.1	0.35	3951	5.1	0.38	3704	5.1	0.43	3268	5.1	0.48	2898	5.1	0.56	2463	5.1	0.54	2598	5.1	0.58	2383	5.1	0.69	2029	5.1	0.79	1749	5.1	0.85	1630	5.1	0.98	1425	5.1	1.0	1336	5.1	1.2	1179	5.1	1.3	1074	5.1	1.5	927	5.1	1.6	863	5.1	1.8	755	5.1	2.5	546	5.1	2.8	502	5.1	3.2	429	5.1	3.7	372	5.1	4.0	348	5.1	4.6	301	5.1	5.5	255	5.1	6.1	228	5.1																																																																																																																																																																																																																																																																																																																																																																																																																																																																																																																																															
4.6	301	5.1	5.5	255	5.1	6.1	228	5.1	0.10	13598	5.1	0.11	12472	5.1	0.13	10619	5.1	0.15	9155	5.1	0.16	8534	5.1	0.19	7460	5.1	0.20	6993	5.1	0.23	6171	5.1	0.25	5624	5.1	0.29	4849	5.1	0.31	4520	5.1	0.35	3951	5.1	0.38	3704	5.1	0.43	3268	5.1	0.48	2898	5.1	0.56	2463	5.1	0.54	2598	5.1	0.58	2383	5.1	0.69	2029	5.1	0.79	1749	5.1	0.85	1630	5.1	0.98	1425	5.1	1.0	1336	5.1	1.2	1179	5.1	1.3	1074	5.1	1.5	927	5.1	1.6	863	5.1	1.8	755	5.1	2.5	546	5.1	2.8	502	5.1	3.2	429	5.1	3.7	372	5.1	4.0	348	5.1	4.6	301	5.1	5.5	255	5.1	6.1	228	5.1																																																																																																																																																																																																																																																																																																																																																																																																																																																																																																																																																		
5.5	255	5.1	6.1	228	5.1	0.10	13598	5.1	0.11	12472	5.1	0.13	10619	5.1	0.15	9155	5.1	0.16	8534	5.1	0.19	7460	5.1	0.20	6993	5.1	0.23	6171	5.1	0.25	5624	5.1	0.29	4849	5.1	0.31	4520	5.1	0.35	3951	5.1	0.38	3704	5.1	0.43	3268	5.1	0.48	2898	5.1	0.56	2463	5.1	0.54	2598	5.1	0.58	2383	5.1	0.69	2029	5.1	0.79	1749	5.1	0.85	1630	5.1	0.98	1425	5.1	1.0	1336	5.1	1.2	1179	5.1	1.3	1074	5.1	1.5	927	5.1	1.6	863	5.1	1.8	755	5.1	2.5	546	5.1	2.8	502	5.1	3.2	429	5.1	3.7	372	5.1	4.0	348	5.1	4.6	301	5.1	5.5	255	5.1	6.1	228	5.1																																																																																																																																																																																																																																																																																																																																																																																																																																																																																																																																																					
6.1	228	5.1	0.10	13598	5.1	0.11	12472	5.1	0.13	10619	5.1	0.15	9155	5.1	0.16	8534	5.1	0.19	7460	5.1	0.20	6993	5.1	0.23	6171	5.1	0.25	5624	5.1	0.29	4849	5.1	0.31	4520	5.1	0.35	3951	5.1	0.38	3704	5.1	0.43	3268	5.1	0.48	2898	5.1	0.56	2463	5.1	0.54	2598	5.1	0.58	2383	5.1	0.69	2029	5.1	0.79	1749	5.1	0.85	1630	5.1	0.98	1425	5.1	1.0	1336	5.1	1.2	1179	5.1	1.3	1074	5.1	1.5	927	5.1	1.6	863	5.1	1.8	755	5.1	2.5	546	5.1	2.8	502	5.1	3.2	429	5.1	3.7	372	5.1	4.0	348	5.1	4.6	301	5.1	5.5	255	5.1	6.1	228	5.1																																																																																																																																																																																																																																																																																																																																																																																																																																																																																																																																																								
0.10	13598	5.1	0.11	12472	5.1	0.13	10619	5.1	0.15	9155	5.1	0.16	8534	5.1	0.19	7460	5.1	0.20	6993	5.1	0.23	6171	5.1	0.25	5624	5.1	0.29	4849	5.1	0.31	4520	5.1	0.35	3951	5.1	0.38	3704	5.1	0.43	3268	5.1	0.48	2898	5.1	0.56	2463	5.1	0.54	2598	5.1	0.58	2383	5.1	0.69	2029	5.1	0.79	1749	5.1	0.85	1630	5.1	0.98	1425	5.1	1.0	1336	5.1	1.2	1179	5.1	1.3	1074	5.1	1.5	927	5.1	1.6	863	5.1	1.8	755	5.1	2.5	546	5.1	2.8	502	5.1	3.2	429	5.1	3.7	372	5.1	4.0	348	5.1	4.6	301	5.1	5.5	255	5.1	6.1	228	5.1																																																																																																																																																																																																																																																																																																																																																																																																																																																																																																																																																											
0.11	12472	5.1	0.13	10619	5.1	0.15	9155	5.1	0.16	8534	5.1	0.19	7460	5.1	0.20	6993	5.1	0.23	6171	5.1	0.25	5624	5.1	0.29	4849	5.1	0.31	4520	5.1	0.35	3951	5.1	0.38	3704	5.1	0.43	3268	5.1	0.48	2898	5.1	0.56	2463	5.1	0.54	2598	5.1	0.58	2383	5.1	0.69	2029	5.1	0.79	1749	5.1	0.85	1630	5.1	0.98	1425	5.1	1.0	1336	5.1	1.2	1179	5.1	1.3	1074	5.1	1.5	927	5.1	1.6	863	5.1	1.8	755	5.1	2.5	546	5.1	2.8	502	5.1	3.2	429	5.1	3.7	372	5.1	4.0	348	5.1	4.6	301	5.1	5.5	255	5.1	6.1	228	5.1																																																																																																																																																																																																																																																																																																																																																																																																																																																																																																																																																														
0.13	10619	5.1	0.15	9155	5.1	0.16	8534	5.1	0.19	7460	5.1	0.20	6993	5.1	0.23	6171	5.1	0.25	5624	5.1	0.29	4849	5.1	0.31	4520	5.1	0.35	3951	5.1	0.38	3704	5.1	0.43	3268	5.1	0.48	2898	5.1	0.56	2463	5.1	0.54	2598	5.1	0.58	2383	5.1	0.69	2029	5.1	0.79	1749	5.1	0.85	1630	5.1	0.98	1425	5.1	1.0	1336	5.1	1.2	1179	5.1	1.3	1074	5.1	1.5	927	5.1	1.6	863	5.1	1.8	755	5.1	2.5	546	5.1	2.8	502	5.1	3.2	429	5.1	3.7	372	5.1	4.0	348	5.1	4.6	301	5.1	5.5	255	5.1	6.1	228	5.1																																																																																																																																																																																																																																																																																																																																																																																																																																																																																																																																																																	
0.15	9155	5.1	0.16	8534	5.1	0.19	7460	5.1	0.20	6993	5.1	0.23	6171	5.1	0.25	5624	5.1	0.29	4849	5.1	0.31	4520	5.1	0.35	3951	5.1	0.38	3704	5.1	0.43	3268	5.1	0.48	2898	5.1	0.56	2463	5.1	0.54	2598	5.1	0.58	2383	5.1	0.69	2029	5.1	0.79	1749	5.1	0.85	1630	5.1	0.98	1425	5.1	1.0	1336	5.1	1.2	1179	5.1	1.3	1074	5.1	1.5	927	5.1	1.6	863	5.1	1.8	755	5.1	2.5	546	5.1	2.8	502	5.1	3.2	429	5.1	3.7	372	5.1	4.0	348	5.1	4.6	301	5.1	5.5	255	5.1	6.1	228	5.1																																																																																																																																																																																																																																																																																																																																																																																																																																																																																																																																																																				
0.16	8534	5.1	0.19	7460	5.1	0.20	6993	5.1	0.23	6171	5.1	0.25	5624	5.1	0.29	4849	5.1	0.31	4520	5.1	0.35	3951	5.1	0.38	3704	5.1	0.43	3268	5.1	0.48	2898	5.1	0.56	2463	5.1	0.54	2598	5.1	0.58	2383	5.1	0.69	2029	5.1	0.79	1749	5.1	0.85	1630	5.1	0.98	1425	5.1	1.0	1336	5.1	1.2	1179	5.1	1.3	1074	5.1	1.5	927	5.1	1.6	863	5.1	1.8	755	5.1	2.5	546	5.1	2.8	502	5.1	3.2	429	5.1	3.7	372	5.1	4.0	348	5.1	4.6	301	5.1	5.5	255	5.1	6.1	228	5.1																																																																																																																																																																																																																																																																																																																																																																																																																																																																																																																																																																							
0.19	7460	5.1	0.20	6993	5.1	0.23	6171	5.1	0.25	5624	5.1	0.29	4849	5.1	0.31	4520	5.1	0.35	3951	5.1	0.38	3704	5.1	0.43	3268	5.1	0.48	2898	5.1	0.56	2463	5.1	0.54	2598	5.1	0.58	2383	5.1	0.69	2029	5.1	0.79	1749	5.1	0.85	1630	5.1	0.98	1425	5.1	1.0	1336	5.1	1.2	1179	5.1	1.3	1074	5.1	1.5	927	5.1	1.6	863	5.1	1.8	755	5.1	2.5	546	5.1	2.8	502	5.1	3.2	429	5.1	3.7	372	5.1	4.0	348	5.1	4.6	301	5.1	5.5	255	5.1	6.1	228	5.1																																																																																																																																																																																																																																																																																																																																																																																																																																																																																																																																																																										
0.20	6993	5.1	0.23	6171	5.1	0.25	5624	5.1	0.29	4849	5.1	0.31	4520	5.1	0.35	3951	5.1	0.38	3704	5.1	0.43	3268	5.1	0.48	2898	5.1	0.56	2463	5.1	0.54	2598	5.1	0.58	2383	5.1	0.69	2029	5.1	0.79	1749	5.1	0.85	1630	5.1	0.98	1425	5.1	1.0	1336	5.1	1.2	1179	5.1	1.3	1074	5.1	1.5	927	5.1	1.6	863	5.1	1.8	755	5.1	2.5	546	5.1	2.8	502	5.1	3.2	429	5.1	3.7	372	5.1	4.0	348	5.1	4.6	301	5.1	5.5	255	5.1	6.1	228	5.1																																																																																																																																																																																																																																																																																																																																																																																																																																																																																																																																																																													
0.23	6171	5.1	0.25	5624	5.1	0.29	4849	5.1	0.31	4520	5.1	0.35	3951	5.1	0.38	3704	5.1	0.43	3268	5.1	0.48	2898	5.1	0.56	2463	5.1	0.54	2598	5.1	0.58	2383	5.1	0.69	2029	5.1	0.79	1749	5.1	0.85	1630	5.1	0.98	1425	5.1	1.0	1336	5.1	1.2	1179	5.1	1.3	1074	5.1	1.5	927	5.1	1.6	863	5.1	1.8	755	5.1	2.5	546	5.1	2.8	502	5.1	3.2	429	5.1	3.7	372	5.1	4.0	348	5.1	4.6	301	5.1	5.5	255	5.1	6.1	228	5.1																																																																																																																																																																																																																																																																																																																																																																																																																																																																																																																																																																																
0.25	5624	5.1	0.29	4849	5.1	0.31	4520	5.1	0.35	3951	5.1	0.38	3704	5.1	0.43	3268	5.1	0.48	2898	5.1	0.56	2463	5.1	0.54	2598	5.1	0.58	2383	5.1	0.69	2029	5.1	0.79	1749	5.1	0.85	1630	5.1	0.98	1425	5.1	1.0	1336	5.1	1.2	1179	5.1	1.3	1074	5.1	1.5	927	5.1	1.6	863	5.1	1.8	755	5.1	2.5	546	5.1	2.8	502	5.1	3.2	429	5.1	3.7	372	5.1	4.0	348	5.1	4.6	301	5.1	5.5	255	5.1	6.1	228	5.1																																																																																																																																																																																																																																																																																																																																																																																																																																																																																																																																																																																			
0.29	4849	5.1	0.31	4520	5.1	0.35	3951	5.1	0.38	3704	5.1	0.43	3268	5.1	0.48	2898	5.1	0.56	2463	5.1	0.54	2598	5.1	0.58	2383	5.1	0.69	2029	5.1	0.79	1749	5.1	0.85	1630	5.1	0.98	1425	5.1	1.0	1336	5.1	1.2	1179	5.1	1.3	1074	5.1	1.5	927	5.1	1.6	863	5.1	1.8	755	5.1	2.5	546	5.1	2.8	502	5.1	3.2	429	5.1	3.7	372	5.1	4.0	348	5.1	4.6	301	5.1	5.5	255	5.1	6.1	228	5.1																																																																																																																																																																																																																																																																																																																																																																																																																																																																																																																																																																																						
0.31	4520	5.1	0.35	3951	5.1	0.38	3704	5.1	0.43	3268	5.1	0.48	2898	5.1	0.56	2463	5.1	0.54	2598	5.1	0.58	2383	5.1	0.69	2029	5.1	0.79	1749	5.1	0.85	1630	5.1	0.98	1425	5.1	1.0	1336	5.1	1.2	1179	5.1	1.3	1074	5.1	1.5	927	5.1	1.6	863	5.1	1.8	755	5.1	2.5	546	5.1	2.8	502	5.1	3.2	429	5.1	3.7	372	5.1	4.0	348	5.1	4.6	301	5.1	5.5	255	5.1	6.1	228	5.1																																																																																																																																																																																																																																																																																																																																																																																																																																																																																																																																																																																									
0.35	3951	5.1	0.38	3704	5.1	0.43	3268	5.1	0.48	2898	5.1	0.56	2463	5.1	0.54	2598	5.1	0.58	2383	5.1	0.69	2029	5.1	0.79	1749	5.1	0.85	1630	5.1	0.98	1425	5.1	1.0	1336	5.1	1.2	1179	5.1	1.3	1074	5.1	1.5	927	5.1	1.6	863	5.1	1.8	755	5.1	2.5	546	5.1	2.8	502	5.1	3.2	429	5.1	3.7	372	5.1	4.0	348	5.1	4.6	301	5.1	5.5	255	5.1	6.1	228	5.1																																																																																																																																																																																																																																																																																																																																																																																																																																																																																																																																																																																												
0.38	3704	5.1	0.43	3268	5.1	0.48	2898	5.1	0.56	2463	5.1	0.54	2598	5.1	0.58	2383	5.1	0.69	2029	5.1	0.79	1749	5.1	0.85	1630	5.1	0.98	1425	5.1	1.0	1336	5.1	1.2	1179	5.1	1.3	1074	5.1	1.5	927	5.1	1.6	863	5.1	1.8	755	5.1	2.5	546	5.1	2.8	502	5.1	3.2	429	5.1	3.7	372	5.1	4.0	348	5.1	4.6	301	5.1	5.5	255	5.1	6.1	228	5.1																																																																																																																																																																																																																																																																																																																																																																																																																																																																																																																																																																																															
0.43	3268	5.1	0.48	2898	5.1	0.56	2463	5.1	0.54	2598	5.1	0.58	2383	5.1	0.69	2029	5.1	0.79	1749	5.1	0.85	1630	5.1	0.98	1425	5.1	1.0	1336	5.1	1.2	1179	5.1	1.3	1074	5.1	1.5	927	5.1	1.6	863	5.1	1.8	755	5.1	2.5	546	5.1	2.8	502	5.1	3.2	429	5.1	3.7	372	5.1	4.0	348	5.1	4.6	301	5.1	5.5	255	5.1	6.1	228	5.1																																																																																																																																																																																																																																																																																																																																																																																																																																																																																																																																																																																																		
0.48	2898	5.1	0.56	2463	5.1	0.54	2598	5.1	0.58	2383	5.1	0.69	2029	5.1	0.79	1749	5.1	0.85	1630	5.1	0.98	1425	5.1	1.0	1336	5.1	1.2	1179	5.1	1.3	1074	5.1	1.5	927	5.1	1.6	863	5.1	1.8	755	5.1	2.5	546	5.1	2.8	502	5.1	3.2	429	5.1	3.7	372	5.1	4.0	348	5.1	4.6	301	5.1	5.5	255	5.1	6.1	228	5.1																																																																																																																																																																																																																																																																																																																																																																																																																																																																																																																																																																																																					
0.56	2463	5.1	0.54	2598	5.1	0.58	2383	5.1	0.69	2029	5.1	0.79	1749	5.1	0.85	1630	5.1	0.98	1425	5.1	1.0	1336	5.1	1.2	1179	5.1	1.3	1074	5.1	1.5	927	5.1	1.6	863	5.1	1.8	755	5.1	2.5	546	5.1	2.8	502	5.1	3.2	429	5.1	3.7	372	5.1	4.0	348	5.1	4.6	301	5.1	5.5	255	5.1	6.1	228	5.1																																																																																																																																																																																																																																																																																																																																																																																																																																																																																																																																																																																																								
0.54	2598	5.1	0.58	2383	5.1	0.69	2029	5.1	0.79	1749	5.1	0.85	1630	5.1	0.98	1425	5.1	1.0	1336	5.1	1.2	1179	5.1	1.3	1074	5.1	1.5	927	5.1	1.6	863	5.1	1.8	755	5.1	2.5	546	5.1	2.8	502	5.1	3.2	429	5.1	3.7	372	5.1	4.0	348	5.1	4.6	301	5.1	5.5	255	5.1	6.1	228	5.1																																																																																																																																																																																																																																																																																																																																																																																																																																																																																																																																																																																																											
0.58	2383	5.1	0.69	2029	5.1	0.79	1749	5.1	0.85	1630	5.1	0.98	1425	5.1	1.0	1336	5.1	1.2	1179	5.1	1.3	1074	5.1	1.5	927	5.1	1.6	863	5.1	1.8	755	5.1	2.5	546	5.1	2.8	502	5.1	3.2	429	5.1	3.7	372	5.1	4.0	348	5.1	4.6	301	5.1	5.5	255	5.1	6.1	228	5.1																																																																																																																																																																																																																																																																																																																																																																																																																																																																																																																																																																																																														
0.69	2029	5.1	0.79	1749	5.1	0.85	1630	5.1	0.98	1425	5.1	1.0	1336	5.1	1.2	1179	5.1	1.3	1074	5.1	1.5	927	5.1	1.6	863	5.1	1.8	755	5.1	2.5	546	5.1	2.8	502	5.1	3.2	429	5.1	3.7	372	5.1	4.0	348	5.1	4.6	301	5.1	5.5	255	5.1	6.1	228	5.1																																																																																																																																																																																																																																																																																																																																																																																																																																																																																																																																																																																																																	
0.79	1749	5.1	0.85	1630	5.1	0.98	1425	5.1	1.0	1336	5.1	1.2	1179	5.1	1.3	1074	5.1	1.5	927	5.1	1.6	863	5.1	1.8	755	5.1	2.5	546	5.1	2.8	502	5.1	3.2	429	5.1	3.7	372	5.1	4.0	348	5.1	4.6	301	5.1	5.5	255	5.1	6.1	228	5.1																																																																																																																																																																																																																																																																																																																																																																																																																																																																																																																																																																																																																				
0.85	1630	5.1	0.98	1425	5.1	1.0	1336	5.1	1.2	1179	5.1	1.3	1074	5.1	1.5	927	5.1	1.6	863	5.1	1.8	755	5.1	2.5	546	5.1	2.8	502	5.1	3.2	429	5.1	3.7	372	5.1	4.0	348	5.1	4.6	301	5.1	5.5	255	5.1	6.1	228	5.1																																																																																																																																																																																																																																																																																																																																																																																																																																																																																																																																																																																																																							
0.98	1425	5.1	1.0	1336	5.1	1.2	1179	5.1	1.3	1074	5.1	1.5	927	5.1	1.6	863	5.1	1.8	755	5.1	2.5	546	5.1	2.8	502	5.1	3.2	429	5.1	3.7	372	5.1	4.0	348	5.1	4.6	301	5.1	5.5	255	5.1	6.1	228	5.1																																																																																																																																																																																																																																																																																																																																																																																																																																																																																																																																																																																																																										
1.0	1336	5.1	1.2	1179	5.1	1.3	1074	5.1	1.5	927	5.1	1.6	863	5.1	1.8	755	5.1	2.5	546	5.1	2.8	502	5.1	3.2	429	5.1	3.7	372	5.1	4.0	348	5.1	4.6	301	5.1	5.5	255	5.1	6.1	228	5.1																																																																																																																																																																																																																																																																																																																																																																																																																																																																																																																																																																																																																													
1.2	1179	5.1	1.3	1074	5.1	1.5	927	5.1	1.6	863	5.1	1.8	755	5.1	2.5	546	5.1	2.8	502	5.1	3.2	429	5.1	3.7	372	5.1	4.0	348	5.1	4.6	301	5.1	5.5	255	5.1	6.1	228	5.1																																																																																																																																																																																																																																																																																																																																																																																																																																																																																																																																																																																																																																
1.3	1074	5.1	1.5	927	5.1	1.6	863	5.1	1.8	755	5.1	2.5	546	5.1	2.8	502	5.1	3.2	429	5.1	3.7	372	5.1	4.0	348	5.1	4.6	301	5.1	5.5	255	5.1	6.1	228	5.1																																																																																																																																																																																																																																																																																																																																																																																																																																																																																																																																																																																																																																			
1.5	927	5.1	1.6	863	5.1	1.8	755	5.1	2.5	546	5.1	2.8	502	5.1	3.2	429	5.1	3.7	372	5.1	4.0	348	5.1	4.6	301	5.1	5.5	255	5.1	6.1	228	5.1																																																																																																																																																																																																																																																																																																																																																																																																																																																																																																																																																																																																																																						
1.6	863	5.1	1.8	755	5.1	2.5	546	5.1	2.8	502	5.1	3.2	429	5.1	3.7	372	5.1	4.0	348	5.1	4.6	301	5.1	5.5	255	5.1	6.1	228	5.1																																																																																																																																																																																																																																																																																																																																																																																																																																																																																																																																																																																																																																									
1.8	755	5.1	2.5	546	5.1	2.8	502	5.1	3.2	429	5.1	3.7	372	5.1	4.0	348	5.1	4.6	301	5.1	5.5	255	5.1	6.1	228	5.1																																																																																																																																																																																																																																																																																																																																																																																																																																																																																																																																																																																																																																												
2.5	546	5.1	2.8	502	5.1	3.2	429	5.1	3.7	372	5.1	4.0	348	5.1	4.6	301	5.1	5.5	255	5.1	6.1	228	5.1																																																																																																																																																																																																																																																																																																																																																																																																																																																																																																																																																																																																																																															
2.8	502	5.1	3.2	429	5.1	3.7	372	5.1	4.0	348	5.1	4.6	301	5.1	5.5	255	5.1	6.1	228	5.1																																																																																																																																																																																																																																																																																																																																																																																																																																																																																																																																																																																																																																																		
3.2	429	5.1	3.7	372	5.1	4.0	348	5.1	4.6	301	5.1	5.5	255	5.1	6.1	228	5.1																																																																																																																																																																																																																																																																																																																																																																																																																																																																																																																																																																																																																																																					
3.7	372	5.1	4.0	348	5.1	4.6	301	5.1	5.5	255	5.1	6.1	228	5.1																																																																																																																																																																																																																																																																																																																																																																																																																																																																																																																																																																																																																																																								
4.0	348	5.1	4.6	301	5.1	5.5	255	5.1	6.1	228	5.1																																																																																																																																																																																																																																																																																																																																																																																																																																																																																																																																																																																																																																																											
4.6	301	5.1	5.5	255	5.1	6.1	228	5.1																																																																																																																																																																																																																																																																																																																																																																																																																																																																																																																																																																																																																																																														
5.5	255	5.1	6.1	228	5.1																																																																																																																																																																																																																																																																																																																																																																																																																																																																																																																																																																																																																																																																	
6.1	228	5.1																																																																																																																																																																																																																																																																																																																																																																																																																																																																																																																																																																																																																																																																				

选型参数表
(恒扭矩)

Selection Table
(Constant Torque)

Mamax [Nm]	n _a [r/min]	i	F _{ra} [kN]	机型号 Type size	P [kW]/4P	Mamax [Nm]	n _a [r/min]	i	F _{ra} [kN]	机型号 Type size	P [kW]/4P	
450	0.80	1732	6.7		0.12	820	0.16	8714	9.4	GR77R37 GRF77R37	0.12	
	0.89	1555	6.7				0.18	7617	9.4			
	0.99	1399	6.7	GR57R37			0.21	6770	9.4			
	1.2	1189	6.7	GRF57R37			0.24	5838	9.4			
	1.3	1034	6.7				0.27	5184	9.4			
	1.8	782	6.7		0.31		4470	9.4				
	2.1	678	6.7		0.35		3999	9.4				
	2.3	604	6.7	GR57R37	0.40		3488	9.4				
	2.6	537	6.7	GRF57R37	0.46		3053	9.4				
	3.0	471	6.7		0.52		2671	9.4				
3.9	357	6.7	GR57R37	0.25	0.44	3151	9.4					
4.4	319	6.7	GRF57R37		0.48	2890	9.4					
5.1	273	6.7	GR57R37	0.37	0.57	2460	9.4					
5.8	241	6.7	GRF57R37		0.66	2121	9.4					
600	0.09	15361	7.2		0.12	0.70	1977	9.4	GR77R37 GRF77R37	0.12		
	0.11	12931	7.2			0.80	1728	9.4				
	0.12	11996	7.2			0.86	1620	9.4				
	0.14	10097	7.2			0.97	1430	9.4				
	0.15	9066	7.2			1.1	1303	9.4				
	0.18	7816	7.2			1.2	1124	9.4				
	0.21	6732	7.2	GR67R37		1.3	1047	9.4	GR77R37			
	0.23	5970	7.2	GRF67R37		1.5	915	9.4	GRF77R37		0.18	
	0.26	5268	7.2			1.6	858	9.4				
	0.30	4680	7.2			1.8	757	9.4				
	0.34	4136	7.2			2.1	671	9.4	GR77R37			
	0.39	3566	7.2			2.4	571	9.4	GRF77R37		0.25	
	0.44	3125	7.2			2.5	560	9.4	GR77R37 GRF77R37			
	0.51	2745	7.2			2.8	488	9.4	GR77R37			
	0.58	2403	7.2			3.2	436	9.4	GRF77R37		0.37	
	0.52	2682	7.2			3.7	373	9.4				
	0.57	2460	7.2			4.3	327	9.4	GR77R37			
	0.66	2094	7.2	GR67R37		4.8	289	9.4	GRF77R37		0.55	
	0.77	1805	7.2	GRF67R37		5.3	260	9.4				
	0.85	1629	7.2			1550	0.08	17528	16		GR87R57 GRF87R57	0.12
	0.94	1471	7.2				0.09	15375	16			
	1.0	1379	7.2				0.10	13873	16			
	1.9	730	7.2	GR67R37			0.12	12077	16			
	2.4	571	7.2	GRF67R37			0.13	10594	16			
	2.9	486	7.2	GR67R37 GRF67R37			0.15	9284	16			
	0.84	1652	7.2	GR67R37			0.17	8144	16			
	0.97	1432	7.2	GRF67R37			0.20	7069	16			
	1.1	1259	7.2				0.22	6201	16			
	1.3	1106	7.2				0.25	5473	16			
	1.7	836	7.2	GR67R37			0.29	4852	16			
1.9	750	7.2	GRF67R37	0.33	4224		16					
2.2	646	7.2		0.37	3761		16					
2.4	574	7.2		0.43	3247		16					
2.8	495	7.2	GR67R37	0.48	2885		16					
3.2	438	7.2	GRF67R37	0.71	1969	16	GR87R57 GRF87R57	0.18				
3.6	388	7.2		0.34	4037	16						
4.0	344	7.2	GR67R37	0.44	3195	16	GR87R57					
4.7	294	7.2	GRF67R37	0.50	2781	16	GRF87R57	0.12				
820	0.08	16370	9.4		0.53	2606	16					
	0.09	15015	9.4		0.65	2138	16					
	0.10	13885	9.4	GR77R37	0.72	1938	16	GR87R57				
	0.11	12783	9.4	GRF77R37	0.80	1740	16	GRF87R57	0.18			
	0.13	11021	9.4		0.93	1495	16					
	0.14	9788	9.4									

选型参数表
(恒扭矩)

Selection Table
(Constant Torque)

Mamax [Nm]	n _a [r/min]	i	F _{ra} [kN]	机型号 Type size	P [kW]/4P	Mamax [Nm]	n _a [r/min]	i	F _{ra} [kN]	机型号 Type size	P [kW]/4P
1550	1.0	1401	16		0.25	3000	1.8	755	19	GR97R57	0.75
	1.1	1237	16	GR87R57			GRF97R57				
	1.2	1150	16	GRF87R57			GR97R57	0.37			
	1.3	1042	16				GRF97R57				
	1.7	806	16	GR87R57	0.37		1.0	1396	19		
	1.8	758	16	GRF87R57			GR97R57				
	0.8	1744	16	GR87R57	0.18		1.1	1228	19	GR97R57	
	0.9	1530	16	GRF87R57			GRF97R57	0.55			
	1.1	1308	16	GR87R57	0.25		1.5		938	19	
				GRF87R57			GR97R57	0.75			
	1.4	1012	16	GR87R57	0.55		1.7		824	19	GR97R57
				GRF87R57			GRF97R57	0.75			
	1.6	889	16	GR87R57	0.37		1.9		737	19	GRF97R57
				GRF87R57			GR97R57	1.1			
	2.0	688	16	GR87R57	0.55		2.2		632	19	GR97R57
	2.3	601	16	GRF87R57			GRF97R57	1.5			
	3.5	399	16	GR87R57	0.75		2.5		560	19	GRF97R57
	3.9	354	16	GRF87R57			GR97R57	2.2			
	4.6	306	16	GR87R57	1.1		2.9		484	19	
	5.2	269	16	GRF87R57			GR97R57	1.1			
2.6	540	16	GR87R57	0.55	3.2	431	19		GR97R57		
2.9	474	16	GRF87R57		GRF97R57	1.5					
3.5	402	16	GR87R57	0.75	3.7		379	19	GRF97R57		
3.8	363	16	GRF87R57		GR97R57	2.2					
4.7	301	16	GR87R57	1.1	4.2		336	19			
5.4	257	16	GRF87R57		GRF97R57	4300	4.8	296	19	GR97R57	
					5.7		249	19	GRF97R57		
					6.1		234	19			
					2.2		625	19	GR97R57		
					2.6		549	19	GRF97R57		
					5.3		270	19	GR97R57		
					6.3		227	19	GRF97R57		
					0.07		20018	28			
					0.08		17080	28			
					0.09		14936	28			
					0.11		12829	28	GR107R77		
					0.12		11256	28	GRF107R77		
					0.15		9547	28			
					0.16		8618	28			
					0.18		7583	28			
					0.21		6743	28			
					0.24		5914	28	GR107R77		
					0.27		5168	28	GRF107R77		
					0.31		4435	28			
					0.36		3896	28	GR107R77		
					0.46	3039	28	GRF107R77			
					0.35	3918	28	GR107R77			
								GRF107R77			
					0.42	3343	28	GR107R77			
					0.46	3034	28	GRF107R77			
					0.52	2653	28	GR107R77			
					0.61	2280	28	GRF107R77			
					0.67	2067	28				
					0.82	1693	28	GR107R77			
					0.90	1550	28	GRF107R77			
					0.99	1407	28				
					1.1	1209	28	GR107R77			
					1.3	1055	28	GRF107R77			
					1.5	919	28	GR107R77			
					1.7	815	28	GRF107R77			
					2.0	717	28				
					2.2	626	28	GR107R77			
					2.7	528	28	GRF107R77			
3000	0.06	21769	19		0.12						
	0.07	19332	19								
	0.08	17230	19								
	0.09	14999	19								
	0.10	13320	19								
	0.12	11156	19	GR97R57							
	0.14	10030	19	GRF97R57							
	0.16	8706	19								
	0.18	7692	19								
	0.21	6708	19								
	0.23	5931	19								
	0.27	5161	19								
	0.35	4004	19	GR97R57		0.18					
	0.40	3481	19	GRF97R57							
	0.30	4678	19	GR97R57		0.12					
				GRF97R57							
	0.32	4309	19	GR97R57		0.18					
	0.38	3702	19	GRF97R57							
0.46	3019	19									
0.52	2668	19	GR97R57	0.25							
0.62	2245	19	GRF97R57								
0.69	2016	19									
0.80	1733	19	GR97R57	0.37							
0.86	1623	19	GRF97R57								
0.97	1434	19									
1.2	1207	19		0.55							
1.3	1084	19	GR97R57								
1.5	934	19	GRF97R57								
1.6	878	19									

选型参数表
(恒扭矩)

Selection Table
(Constant Torque)

Mamax [Nm]	n _a [r/min]	i	F _{ra} [kN]	机型号 Type size	P [kW]/4P	Mamax [Nm]	n _a [r/min]	i	F _{ra} [kN]	机型号 Type size	P [kW]/4P
4300	0.70	1987	28	GR107R77 GRF107R77	0.37	8000	1.3	1117	51	GR137R77	1.5
	0.76	1827	28	GR107R77			1.3	1055	51	GRF137R77	
	0.87	1599	28	GRF107R77	1.6		898	51			
	0.99	1400	28		2.0		707	51	GR137R77	2.2	
	1.1	1226	28	GR107R77	2.3		615	51	GRF137R77		
	1.3	1104	28	GRF107R77	0.52		2662	51	GR137R77	0.5	
	1.5	939	28		0.58		2416	51	GRF137R77		
	1.7	822	28	GR107R77 GRF107R77	0.67		2076	51	GR137R77	0.75	
	2.3	614	28	GR107R77	0.75		1842	51	GRF137R77		
	2.6	544	28	GRF107R77	0.88		1600	51	GR137R77	1.1	
	2.8	492	28		1.0		1405	51	GRF137R77		
	3.4	417	28	GR107R77	1.1		1233	51		1.5	
	3.8	369	28	GRF107R77	1.3		1096	51	GR137R77		
	4.4	323	28		1.5		957	51	GRF137R77	2.2	
	5.0	285	28	GR107R77	1.7		836	51	GR137R77		
	5.6	253	28	GRF107R77	1.9		734	51	GRF137R77	3	
	6.7	214	28	GR107R77	2.2		632	51			
	7.7	187	28	GRF107R77	2.5		563	51	GR137R77	4	
	3.0	469	28	GR107R77 GRF107R77	2.9		493	51	GRF137R77		
	3.3	426	28	GR107R77	3.3		430	51	GR137R77	4	
3.8	377	28	GRF107R77	3.8	384	51	GRF137R77				
4.4	325	28		4.4	325	51	GR137R77	5.5			
5.0	284	28	GR107R77	4.9	293	51	GRF137R77				
5.5	256	28	GRF107R77	5.6	256	51		3			
6.5	220	28	GR107R77	2.5	570	51	GR137R77				
7.5	193	28	GRF107R77	2.7	522	51	GRF137R77	4			
8.4	172	28		3.1	458	51					
8000	0.06	22238	51		13000	0.06	23277	59	GR147R77	0.12	
	0.07	18975	51	GR137R77		0.07	21221	59	GRF147R77		
	0.08	16592	51	GRF137R77		0.08	18107	59	GR147R77	0.18	
	0.09	14802	51			0.09	15833	59	GRF147R77		
	0.11	12943	51			0.10	13837	59		0.25	
	0.12	11731	51	GR137R77		0.11	12278	59	GR147R77		
	0.13	10589	51	GRF137R77		0.13	11084	59	GRF147R77	0.37	
	0.16	8798	51			0.14	9760	59			
	0.19	7491	51	GR137R77		0.17	8395	59	GR147R77	0.55	
	0.21	6570	51	GRF137R77		0.19	7320	59	GRF147R77		
	0.24	5844	51			0.22	6439	59		0.75	
	0.27	5125	51	GR137R77		0.25	5474	59	GR147R77		
	0.31	4471	51	GRF137R77		0.28	4935	59	GRF147R77	1.1	
	0.35	3951	51			0.32	4343	59			
	0.40	3459	51	GR137R77		0.38	3690	59	GR147R77	1.5	
	0.46	2997	51	GRF137R77		0.43	3247	59	GRF147R77		
	0.29	4760	51	GR137R77		0.48	2890	59		2.2	
	0.34	4061	51	GRF137R77		0.55	2540	59	GR147R77		
	0.39	3551	51			0.63	2215	59	GRF147R77	2.2	
	0.41	3374	51	GR137R77		0.72	1948	59			
0.47	2960	51	GRF137R77	0.83	1696	59	GR147R77	2.2			
0.55	2511	51		0.92	1527	59	GRF147R77				
0.61	2267	51	GR137R77	1.1	1332	59	GR147R77	2.2			
0.74	1883	51	GRF137R77	1.2	1169	59	GRF147R77				
0.87	1603	51	GR137R77	1.4	1028	59					
1.0	1406	51	GRF137R77								
1.1	1269	51									

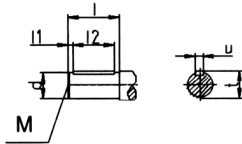
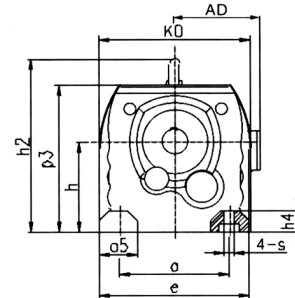
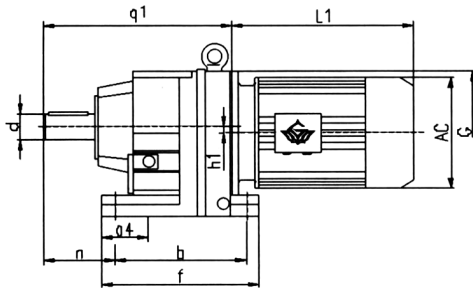
选型参数表
(恒扭矩)

Selection Table
(Constant Torque)

Mamax [Nm]	n _a [r/min]	i	F _{ra} [kN]	机型号 Type size	P [kW]/4P	Mamax [Nm]	n _a [r/min]	i	F _{ra} [kN]	机型号 Type size	P [kW]/4P
13000	1.6	874	59	GR147R77	3	18000	4.9	300	91	GR167R107	11
	1.8	771	59	GRF147R77			GRF167R107				
	2.1	683	59	GR147R77	4		6.3	233	91	GR167R107	15
	2.4	609	59	GRF147R77			GRF167R107				
	2.6	549	59		5.5		5.0	292	91	GR167R107	11
	3.0	481	59	GR147R77 GRF147R77			GRF167R107				
	2.7	533	59	GR147R87	4		5.5	265	91	GR167R107	15
	3.1	464	59	GR147R87			GRF167R107				
	3.4	427	59	GRF147R87	5.5		6.4	228	91	GRF167R107	15
	4.0	363	59	GR147R87			GRF167R107				
	4.5	320	59	GRF147R87	7.5		7.3	199	91		0.55
	5.1	281	59	GR147R87			0.06 24586 128				
	5.8	248	59	GRF147R87	7.5		0.06 22040 128	0.07 19714 128	128	GR177R97	0.55
	6.8	216	59	GR147R87 GRF147R87			0.08 17327 128	0.09 15498 128	0.10 13744 128		
18000	0.05	26995	91		11	0.12 11871 128	0.13 10618 128	128	GR177R97	0.75	
	0.06	22477	91			0.15 9104 128	0.17 8430 128	128	GR177R97		1.1
	0.07	20091	91			0.19 7355 128	0.21 6579 128	128	GRF177R97	1.5	
	0.08	17358	91	GR167R97		0.55	0.25 5692 128	0.28 5055 128	128		GR177R97
	0.09	15515	91	GRF167R97			0.32 4519 128	0.35 4063 128	128	GRF177R97	
	0.10	14048	91			1.1	0.41 3527 128	0.45 3187 128	128	GR177R97	3
	0.12	11809	91				0.52 2771 128	0.56 2551 128	128	GRF177R97	
	0.13	10556	91			0.55	0.63 2282 128	0.70 2052 128	128	GR177R97	4
	0.14	9713	91				0.78 1836 128	0.78 1836 128	128	GR177R97	
	0.18	7747	91	GR167R97		1.1	1.0 1427 128	1.2 1223 128	128	GR177R97	5.5
	0.20	6925	91	GRF167R97			1.2 1223 128	1.3 1148 128	128	GRF177R97	
	0.23	6076	91	GR167R97		0.55	1.5 984 128	1.8 790 128	128	GR177R97	7.5
	0.26	5431	91	GR167R97			2.1 706 128	2.4 617 128	128	GRF177R97	
	0.30	4689	91	GRF167R97		0.75	2.7 535 128	3.1 479 128	128	GR177R97	11
	0.33	4164	91				3.2 454 128	3.6 406 128	128	GRF177R97	
	0.38	3723	91	GR167R97		1.1	4.2 354 128	4.9 303 128	128	GR177R97	15
	0.52	2669	91	GR167R97			4.2 347 128	5.3 279 128	5.8 254 128	128	
	0.60	2332	91	GRF167R97		1.5	6.8 218 128	7.8 190 128	128	GR177R107	18.5
	0.67	2084	91				GRF177R107				
	0.76	1876	91	GR167R97		2.2					22
	0.85	1677	91	GRF167R97							
	0.98	1444	91			3					30
	1.1	1290	91	GR167R97							
	1.3	1127	91	GRF167R97		4					37
	1.4	1008	91								
	1.6	876	91	GR167R97		5.5					45
	1.9	772	91	GRF167R97							
	2.2	658	91	GR167R97		7.5					37
	2.5	579	91	GRF167R97							
	2.9	512	91	GR167R97		7.5					45
	3.3	436	91	GRF167R97							
	3.9	378	91	GR167R97		7.5					45
4.3	338	91	GRF167R97								
4.7	308	91	GR167R97	11					45		
5.2	280	91	GRF167R97								

GR17-177
安装结构尺寸

GR17-177
Mounting Dimensional Description



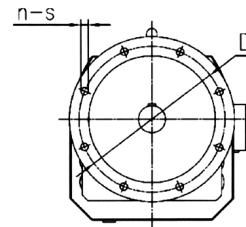
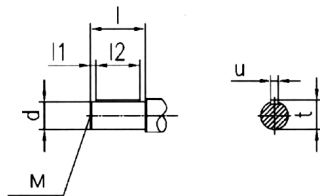
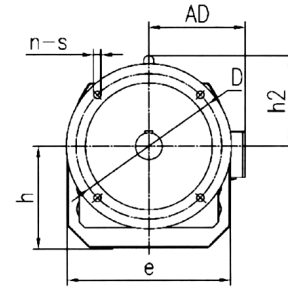
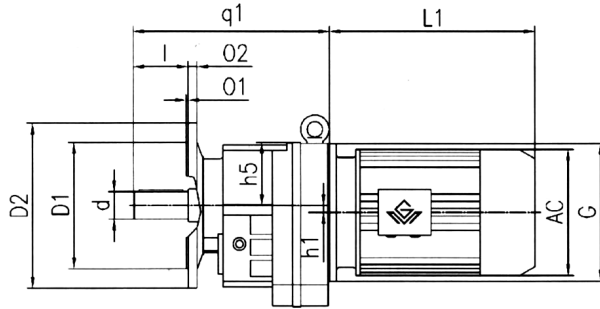
规格 Specification	q ₁ e	d s	n h ₄	a ₄ K0	b l	f l ₁	h ₁ l ₂	p ₃ M	h u	a ₅ t	a h ₂	G	电机尺寸 Motor Size			
													AC	AD	L1	
GR17	162 135	Φ20k6 Φ9	58 12	28 140	110 40	131 4	0 32	134 M6	75 ^{-0.5} 6	25 22.5	110 /	Φ120	见附录 A-2 Please see appendix A-2			
GR27	193 145	Φ25k6 Φ9	75 18	27 151	130 50	152 3.5	3.4 40	147 M10	90 ^{-0.5} 8	32 28	110 /	Φ120				
GR37	201 145	Φ25k6 Φ9	75 18	40 161	130 50	160 3.5	10.1 40	151 M10	90 ^{-0.5} 8	35 28	110 /	Φ120				
GR47	235 170	Φ30k6 Φ13.5	90 24	50 178	165 60	195 3.5	14 50	187 M10	115 ^{-0.5} 8	42 33	135 /	Φ160				
GR57	257 190	Φ35k6 Φ13.5	100 24	60 202	165 70	200 7	11.2 56	187 M12	115 ^{-0.5} 10	55 38	135 /	Φ160				
GR67	280 210	Φ35k6 Φ14	100 30	60 215	195 70	235 7	20.7 56	212 M12	130 ^{-0.5} 10	60 38	150 243	Φ160				
GR77	300 230	Φ40k6 Φ17.5	115 30	60 235	205 80	245 5	15.9 70	228 M16	140 ^{-0.5} 12	60 43	170 269	Φ200				
GR87	372 290	Φ50k6 Φ17.5	140 45	90 297	260 100	310 10	12.6 80	295 M16	180 ^{-0.5} 14	75 53.5	215 345	Φ250				
GR97	440 340	Φ60m6 Φ22	160 55	100 348	310 120	365 5	10.2 110	368 M20	225 ^{-0.5} 18	90 64	250 418	Φ300				
GR107	495 400	Φ70m6 Φ26	185 65	125 409	370 140	440 7.5	20.4 125	408 M20	250 ^{-0.5} 20	110 74.5	290 475	Φ350				
GR137	589 450	Φ90m6 Φ33	220 70	130 458	410 170	490 5	25.1 160	495 M24	315 ⁻¹ 25	110 95	340 562	Φ400				
GR147	695 530	Φ110m6 Φ39	260 80	150 540	500 210	590 15	33.4 180	565 M24	355 ⁻¹ 28	150 116	380 637	Φ450				
GR167	790 660	Φ120m6 Φ39	270 100	160 670	580 210	670 5	59.9 200	675 M24	425 ⁻¹ 32	160 127	500 749	Φ550				
GR177	955 780	Φ160m6 Φ45	280 110	280 780	790 250	904 15	93 220	835 M30	525 ⁻¹ 40	180 169	600 /	Φ550				

注:电机需方配或配特殊电机时需加联接法兰(见附录 D)

Note: When equipping the user's motor or the special one, the flange is required to connected.(Please see appendix D)

GRF17-177
安装结构尺寸

GRF17-177
Mounting Dimensional Description



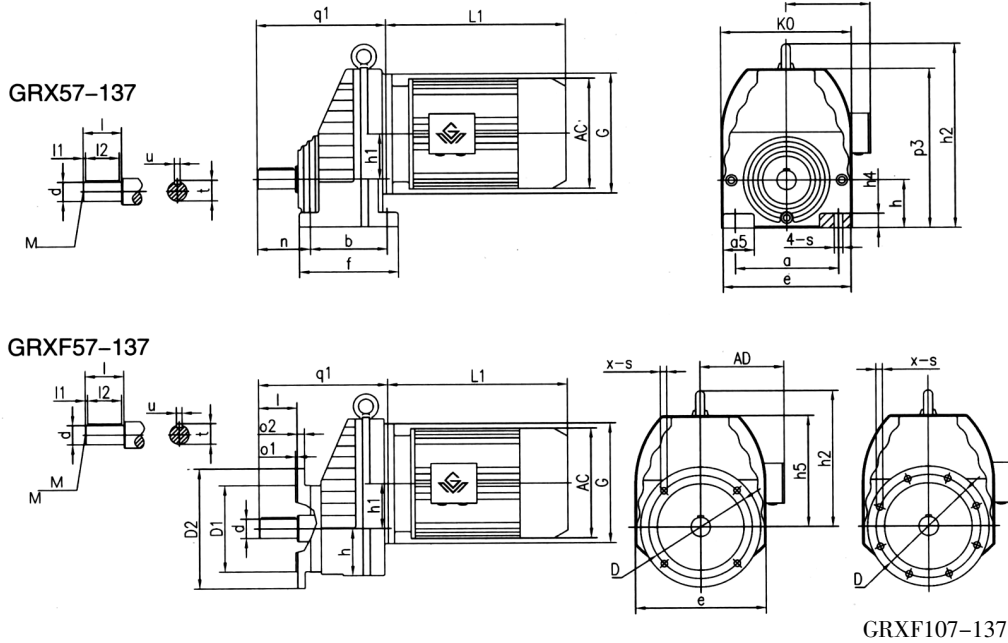
规格 Specification	d	D2	o ₂	O ₁	s	D1	D	n	q ₁ l	h ₅ l ₁	h ₁ l ₂	h M	e u	h ₂ t	G	电机尺寸 Motor Size		
																AC	AD	L1
GRF17	Φ20k6	Φ120 Φ140	8 9	3 3	Φ6.5 Φ8.5	Φ80j6 Φ95j6	Φ100 Φ115	4 4	170 40	59 4	/ 32	76 M6	130 6	/ 22.5	Φ120	见附录 A-2 Please see appendix A-2		
GRF27	Φ25k6	Φ120 Φ140 Φ160	8 8 10	3 3 3.5	Φ6.5 Φ8.5 Φ8.5	Φ80j6 Φ95j6 Φ110j6	Φ100 Φ115 Φ130	4 4 4	199 50	57 3.5	3.4 40	92 M10	142 8	/ 28	Φ120			
GRF37	Φ25k6	Φ120 Φ160 Φ200	8 10 12	3 3.5 3.5	Φ6.5 Φ9 Φ11	Φ80j6 Φ110j6 Φ130j6	Φ100 Φ130 Φ165	4 4 4	207 50	61 3.5	10.1 40	94 M10	161 8	/ 28	Φ120			
GRF47	Φ30k6	Φ140 Φ160 Φ200	10 10 12	3 3.5 3.5	Φ9 Φ9 Φ11	Φ95j6 Φ110j6 Φ130j6	Φ115 Φ130 Φ165	4 4 4	235 60	72 3.5	14 50	118 M10	178 8	/ 33	Φ160			
GRF57	Φ35k6	Φ160 Φ200 Φ250	10 12 15	3.5 3.5 4	Φ9 Φ11 Φ13.5	Φ110j6 Φ130j6 Φ180j6	Φ130 Φ165 Φ215	4 4 4	257 70	72 7	11.2 56	121 M12	202 10	/ 38	Φ160			
GRF67	Φ35k6	Φ200 Φ250	12 15	3.5 4	Φ11 Φ13.5	Φ130j6 Φ180j6	Φ165 Φ215	4 4	280 70	82 7	20.7 56	134 M12	215 10	113 38	Φ160			
GRF77	Φ40k6	Φ250 Φ300	15 18.5	4 4	Φ13.5 Φ13.5	Φ180j6 Φ230j6	Φ215 Φ265	4 4	300 80	88 5	15.9 70	144 M16	235 12	129 43	Φ200			
GRF87	Φ50k6	Φ300 Φ350	16 18	4 5	Φ13.5 Φ17.5	Φ230j6 Φ250h6 Φ250h6	Φ265 Φ300	4 4	372 100	115 10	12.6 80	184 M16	297 14	165 53.5	Φ250			
GRF97	Φ60m6	Φ350 Φ450	18 22	5 5	Φ17.5 Φ17.5	Φ250h6 Φ350h6	Φ300 Φ400	4 8	440 120	144 5	10.2 110	230 M20	348 18	193 64	Φ300			
GRF107	Φ70m6	Φ350 Φ450	20 22	5 5	Φ17.5 Φ17.5	Φ250h6 Φ350h6	Φ300 Φ400	4 8	495 140	158 7.5	20.4 125	255 M20	409 20	224 74.5	Φ350			
GRF137	Φ90m6	Φ450 Φ550	22 25	5 5	Φ17.5 Φ17.5	Φ350h6 Φ450h6	Φ400 Φ500	8 8	589 170	180 5	25.1 160	320 M24	458 25	247 95	Φ400			
GRF147	Φ110m6	Φ450 Φ550	22 25	5 5	Φ17.5 Φ17.5	Φ350h6 Φ450h6	Φ400 Φ500	8 8	695 210	210 15	33.4 180	361 M24	540 28	285 116	Φ450			
GRF167	Φ120m6	Φ550 Φ660	25 28	5 6	Φ17.5 Φ22	Φ450h6 Φ550h6	Φ500 Φ600	8 8	790 210	250 5	59.9 200	430 M24	670 32	324 127	Φ550			
GRF177	Φ160m6	Φ660 Φ880	32 36	6 10	Φ22 Φ33	Φ550h6 Φ680h6	Φ600 Φ800	8 8	980 250	330 15	93 220	525 M30	780 40	/ 169	Φ550			

注: 电机需方配或配特殊电机时需加联接法兰(见附录 D)

Note: When equipping the user's motor or the special one, the flange is required to connected.(Please see appendix D)

GRX57-137/GRXF57-137
安装结构尺寸

GRX57-137/GRXF57-137
Mounting Dimensional Description



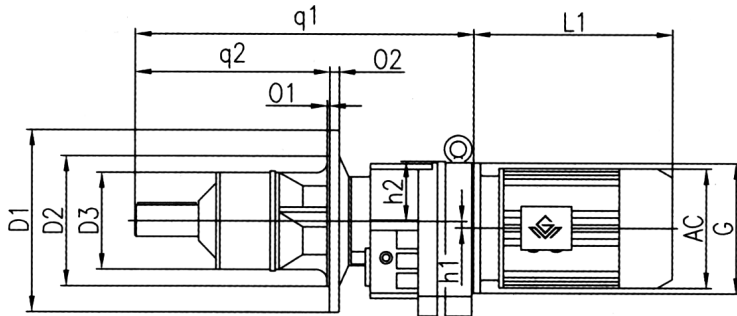
GRXF107-137

规格 Specification	q ₁ h	d p ₃	h ₁ h ₂	n K0	b l ₁	f l ₂	a ₅ l	a M	e u	s t	h ₄ G	电机尺寸 Motor Size			
												AC	AD	L1	
GRX57	174 63 _{-0.5}	Φ20k6 202	52 /	56 162	110 3.5	137 32	31 40	125 M6	156 6	Φ11 22.5	18 Φ160	见附录 A-2 Please see appendix A-2			
GRX67	201 80 _{-0.5}	Φ25k6 226	60 /	75 176	120 3.5	150 40	35 50	135 M10	170 8	Φ13.5 28	20 Φ160				
GRX77	227 90 _{-0.5}	Φ30k6 271	72 311	85 210	150 3.5	190 50	50 60	170 M10	204 8	Φ17.5 33	25 Φ200				
GRX87	269 100 _{-0.5}	Φ40k6 332	93.5 372	110 272	160 5	206 70	60 80	215 M16	266 12	Φ17.5 43	30 Φ250				
GRX97	316 112 _{-0.5}	Φ50k6 393	116 440	140 328	185 10	240 80	70 100	250 M16	320 14	Φ22 53.5	35 Φ300				
GRX107	364 140 _{-0.5}	Φ60m6 459	130 506	152 370	210 5	260 110	80 120	310 M20	360 18	Φ22 64	45 Φ350				
GRX137	378 160 _{-0.5}	Φ70m6 526	158 598	175 416	240 7.5	320 125	110 140	340 M20	450 20	Φ35 74.5	50 Φ400				

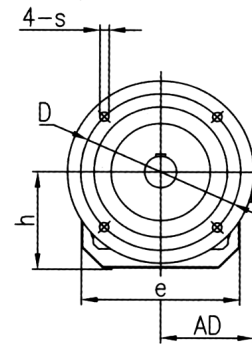
规格 Specification	d	D2	D1	o ₂	o ₁	D	x	s	h l ₂	h ₁ l	h ₅ M	h ₂ u	e t	l ₁ q ₁	G	电机尺寸 Motor Size		
																AC	AD	L1
GRXF57	Φ20k6	Φ140 Φ160	Φ95j6 Φ110j6	10 10	3 3.5	Φ115 Φ130	4 4	Φ9 Φ9	62 32	52 40	139 M6	/	162 22.5	5 174	Φ160			
GRXF67	Φ25k6	Φ160 Φ200	Φ110j6 Φ130j6	10 12	3.5 3.5	Φ130 Φ165	4 4	Φ9 Φ11	70 40	60 M6	147 /	/	175 3.5	3.5 Φ160				
GRXF77	Φ30k6	Φ200 Φ250	Φ130j6 Φ180j6	12 15	3.5 4	Φ165 Φ215	4 4	Φ11 Φ13.5	40 50	50 M10	221 8	210 28	3.5 201	Φ200				
GRXF87	Φ40k6	Φ250 Φ300	Φ180j6 Φ230j6	15 16	4 4	Φ215 Φ265	4 4	Φ13.5 Φ13.5	98 70	93.5 80	232 M16	272 12	272 43	5 269	Φ250			
GRXF97	Φ50k6	Φ300 Φ350	Φ230j6 Φ250h6	16 18	4 5	Φ265 Φ300	4 4	Φ13.5 Φ17.5	118 80	116 100	281 M16	328 14	328 53.5	10 316	Φ300			
GRXF107	Φ60m6	Φ350 Φ450	Φ250h6 Φ350h6	18 22	5 5	Φ300 Φ400	4 8	Φ17.5 Φ17.5	135 110	130 120	319 M20	366 18	370 64	5 364	Φ350			
GRXF137	Φ70m6	Φ350 Φ450	Φ250h6 Φ350h6	18 22	5 5	Φ300 Φ400	4 8	Φ17.5 Φ17.5	170 125	158 140	366 M20	438 20	416 74.5	7.5 378	Φ400			

GRM57-167
安装结构尺寸

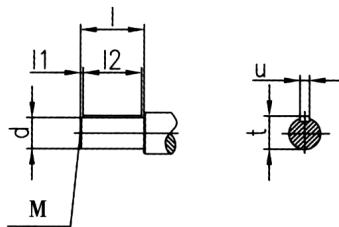
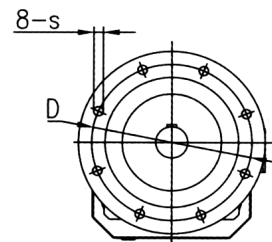
GRM57-167
Mounting Dimensional Description



GRM57-87



GRM97-167



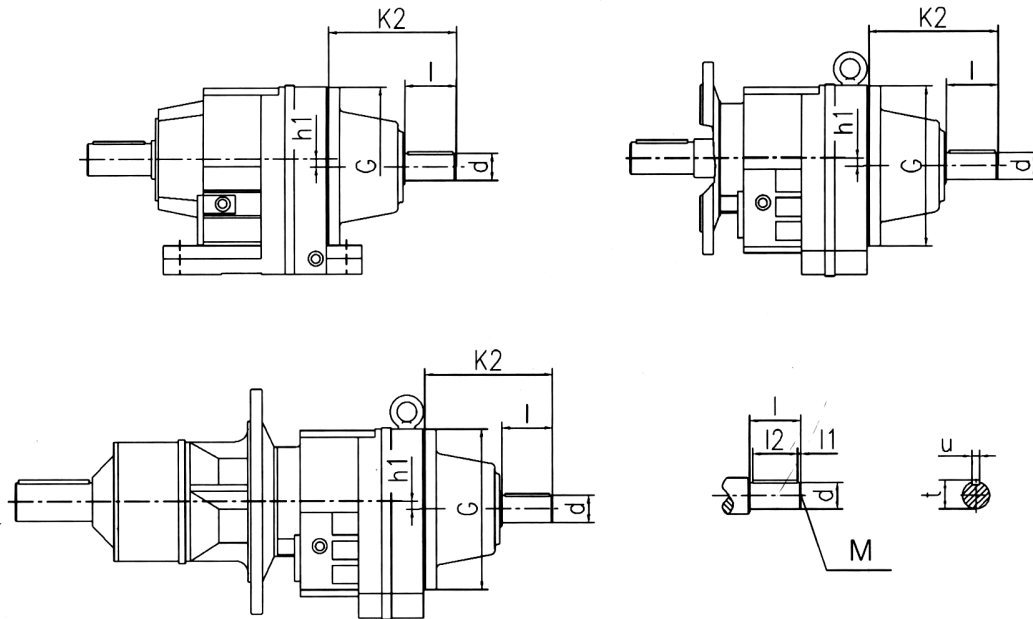
规格 Specification	q ₁ q ₂	o ₁ o ₂	h ₁ h ₂	h e	D D ₁	D ₂ d	D ₃ l	l ₁ l ₂	s M	u t	G	电机尺寸 Motor Size		
												AC	AD	L1
GRM57	420	4	11.2	121	Φ215	Φ180j6	Φ135	5	Φ13.5	10	Φ160	见附录 A-2 Please see appendix A-2		
	230	15	72	202	Φ250	Φ35k6	70	60	M12	38				
GRM67	459	4	20.7	134	Φ265	Φ230j6	Φ144	5	Φ13.5	12	Φ160			
	240	16	82	215	Φ300	Φ40k6	80	70	M16	43				
GRM77	527	5	15.9	144	Φ300	Φ250h6	Φ170	10	Φ17.5	14	Φ200			
	300	18	88	235	Φ350	Φ50k6	100	80	M16	53.5				
GRM87	639	5	12.6	184	Φ300	Φ250h6	Φ186	5	Φ17.5	18	Φ250			
	360	18	115	297	Φ350	Φ60m6	120	110	M20	64				
GRM97	745	5	10.2	230	Φ400	Φ350h6	Φ214	7.5	Φ17.5	20	Φ300			
	420	22	144	348	Φ450	Φ70m6	140	125	M20	74.5				
GRM107	864	5	20.4	255	Φ500	Φ450h6	Φ232	20	Φ17.5	22	Φ350			
	500	25	158	409	Φ550	Φ80m6	170	125	M20	85				
GRM137	1024	5	25.1	320	Φ500	Φ450h6	Φ253	15	Φ17.5	28	Φ400			
	600	25	180	458	Φ550	Φ100m6	210	180	M24	106				
GRM147	1154	6	33.4	361	Φ600	Φ550h6	Φ274	15	Φ22	28	Φ450			
	660	28	210	540	Φ660	Φ110m6	210	180	M24	116				
GRM167	1313	6	59.9	430	Φ600	Φ550h6	Φ290	5	Φ22	32	Φ550			
	730	28	250	670	Φ660	Φ125m6	210	200	M24	134				

注:电机需方配或配特殊电机时需加联接法兰 (见附录 D)

Note: When equipping the user's motor or the special one, the flange is required to connected.(Please see appendix D)

GR..SZ37-177AD1-8
安装结构尺寸

GR..SZ37-177AD1-8
Mounting Dimensional Description



GR..SZ37-177AD1-8 安装结构尺寸 (GR..SZ37-177AD1-8 Mounting Dimensional Description)

机型号 Type Size		d	G	k ₂	l	M	l ₁	l ₂	t	u	h ₁
GR..SZ37	AD1	16k6	Φ120	115	40	M5	4	32	18	5	10.1
	AD2	19k6	Φ120	115	40	M6	4	32	21.5	6	10.1
GR..SZ47/57/67	AD2	19k6	Φ160	120	40	M6	4	32	21.5	6	14/11.2/20.7
	AD3	24k6	Φ160	130	50	M8	5	40	27	8	14/11.2/20.7
GR..SZ77	AD2	19k6	Φ200	130	40	M6	4	32	21.5	6	15.9
	AD3	24k6	Φ200	140	50	M8	5	40	27	8	15.9
	AD4	38k6	Φ200	140	50	M12	5	40	41	10	15.9
GR..SZ87	AD2	19k6	Φ250	160	40	M6	4	32	21.5	6	12.6
	AD3	28k6	Φ250	180	60	M10	5	50	31	8	12.6
	AD4	38k6	Φ250	200	80	M12	5	70	41	10	12.6
	AD5	42k6	Φ250	200	80	M16	5	70	45	12	12.6
GR..SZ97	AD3	28k6	Φ300	200	60	M10	5	50	31	8	10.2
	AD4	38k6	Φ300	220	80	M12	5	70	41	10	10.2
	AD5	42k6	Φ300	220	80	M16	5	70	45	12	10.2
	AD6	48k6	Φ300	220	80	M16	5	70	51.5	14	10.2
GR..SZ107	AD3	28k6	Φ350	220	60	M10	5	50	31	8	20.4
	AD4	38k6	Φ350	240	80	M12	5	70	41	10	20.4
	AD5	42k6	Φ350	270	110	M16	10	90	45	12	20.4
	AD6	48k6	Φ350	270	110	M16	10	90	51.5	14	20.4
GR..SZ137/147	AD4	38k6	Φ400/450	267	80	M12	5	70	41	10	25.1/33.4
	AD5	42k6	Φ400/450	297	110	M16	10	90	45	12	25.1/33.4
	AD6	48k6	Φ400/450	297	110	M16	10	90	51.5	14	25.1/33.4
	AD7	55m6	Φ400/450	297	110	M20	10	90	59	16	25.1/33.4
	AD8	70m6	Φ400/450	297	110	M20	10	90	74.5	20	25.1/33.4
GR..SZ167/177	AD5	42k6	Φ550	344	110	M16	10	90	45	12	59.9/93
	AD6	48k6	Φ550	344	110	M16	10	90	51.5	14	59.9/93
	AD7	55m6	Φ550	344	110	M20	10	90	59	16	59.9/93
	AD8	70m6	Φ550	374	140	M20	15	110	74.5	20	59.9/93

其它尺寸请参照 GR 型。

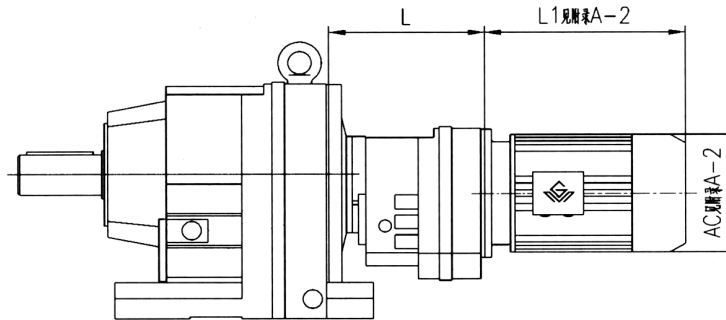
注:GRF/GRX/GRXF/GRM 也可采用双轴型,并分别记为 GRFSZ..AD..、GRXSZ..AD..、GRXFSZ..AD..和 GRMSZ..AD..。

For other dimensions, see the type GR.

Note: double shafts type is also available for type GRF/GRX/GRXF/GRM, and these double shafts types are respectively named type GRFSZ..AD..、GRXSZ..AD..、GRXFSZ..AD.. and GRMSZ..AD..

GR..R..
安装结构尺寸

GR..R..
Mounting Dimensional Description



机型号 Type Size	电机机座号 Motor frame size	L
GR..27R17 GR..37R17	63	131
	71	
GR..47R37 GR..57R37 GR..67R37	63	157
	71	
	80	
GR..77R37	63	157
	71	
	80	
GR..87R57	63	187
	71	
	80	
	90	
GR..97R57	63	187
	71	
	80	
	90	
GR..107R77	63	220
	71	
	80	
	90	
	100	
	112	
GR..137R77	132	220
	160	
	63	
	71	
	80	
	90	
	100	

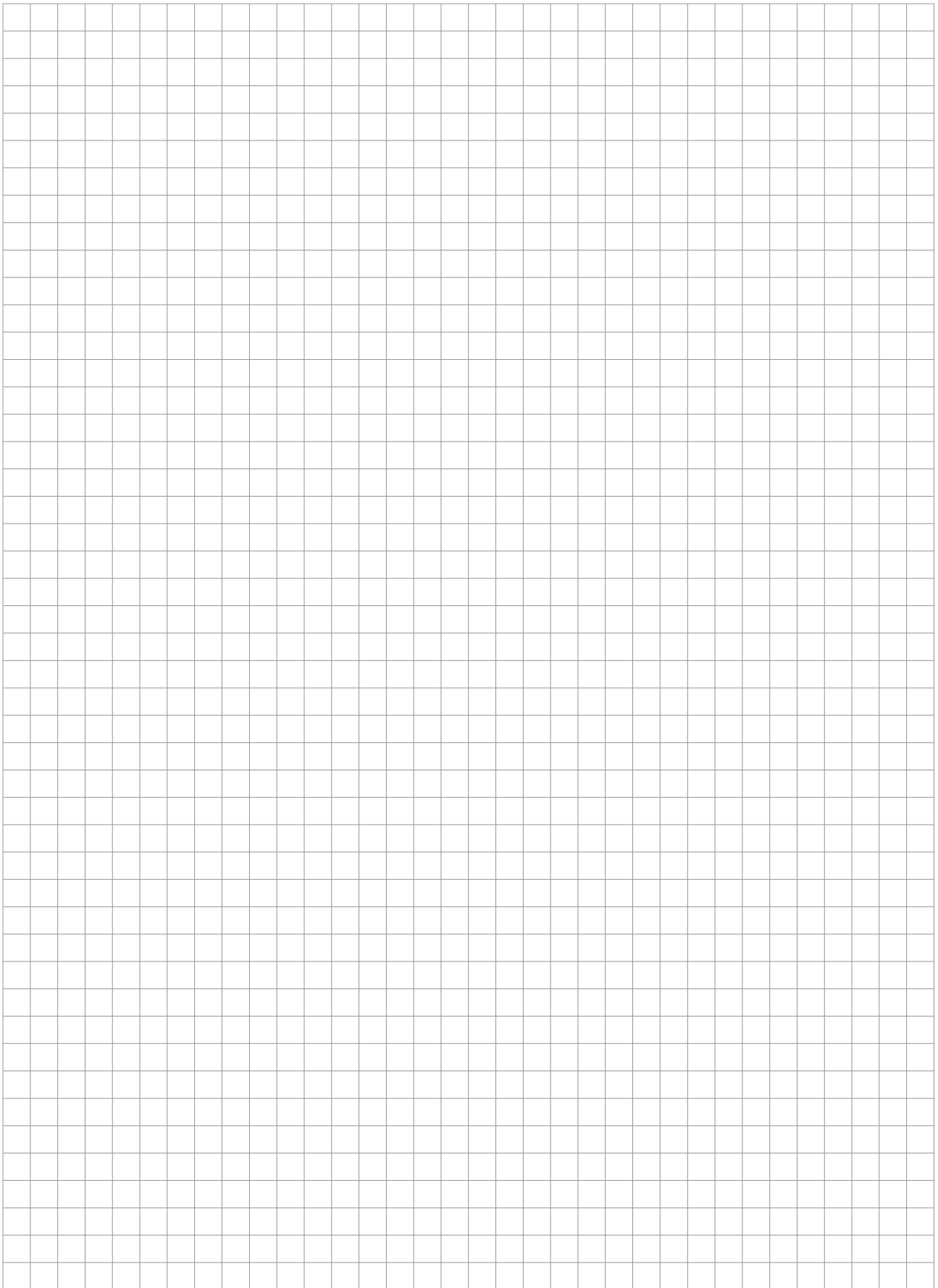
机型号 Type Size	电机机座号 Motor frame size	L
GR..147R77	63	220
	71	
	80	
	90	
	100	
	112	
GR..147R87	132	272
	160	
	180	
	90	
	100	
GR..167R97 GR..177R97	112	320
	132	
	160	
	180	
	80	
	90	
GR..167R107 GR..177R107	100	355
	112	
	132	
	160	
	180	
	200	
	225	

注:GRF 也可采用串联组合机型

Note: Combined type is also available for type GRF.

注:电机需方配或配特殊电机时需加联接法兰 (见附录 D)

Note: When equipping the user's motor or the special one, the flange is required to connected.(Please see appendix D)

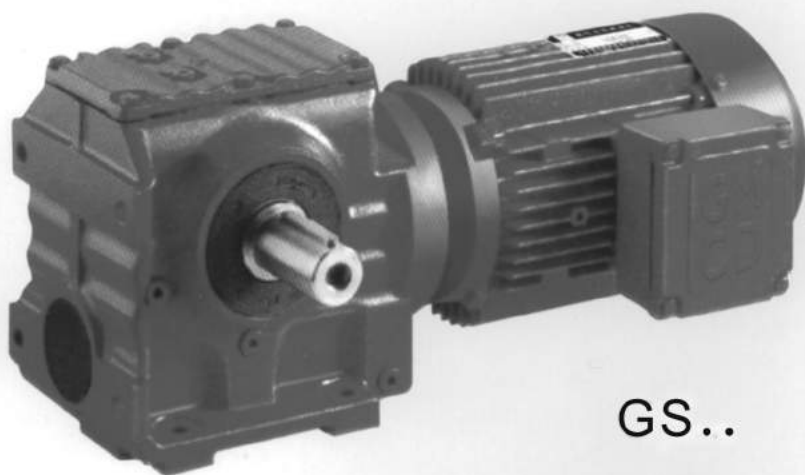




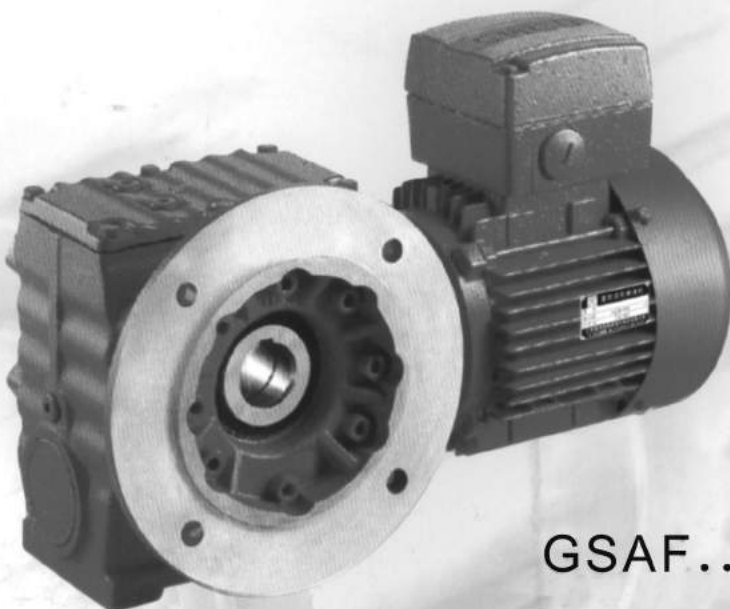
GM — GS

GS Series Helical-Worm Geared Motors

GS
系列
斜
齿
轮
—
蜗
轮
蜗
杆
减
速
电
机



GS..



GSAF..



GSA/T..

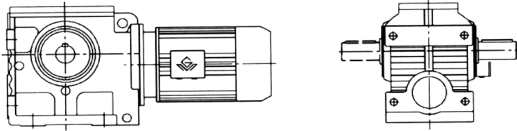
结构型式说明 Dimensional Description

GS 系列输出轴垂直于输入轴,由一级斜齿轮和一级蜗轮蜗杆构成。

Output shafts of GS series are vertical to input shafts. Units of GS series consist of single stage helical gears and single stage worm gears.

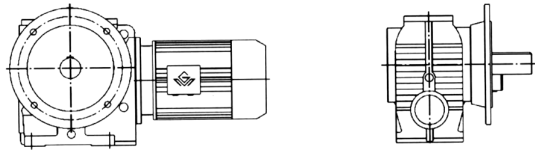
1、GS 型: 底脚轴伸式安装斜齿轮-蜗轮蜗杆减速电机。

Type GS: Foot-mounted helical-worm gear units with solid shaft.



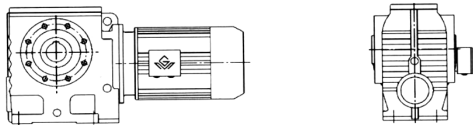
2、GSF 型: B5 法兰轴伸式安装斜齿轮-蜗轮蜗杆减速电机。

Type GSF: B5 flange mounted helical-worm gear units with solid shaft.



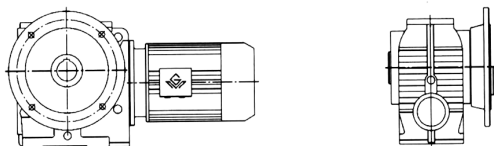
3、GSA 型: 空心轴安装斜齿轮-蜗轮蜗杆减速电机。

Type GSA: Helical-worm gear units with hollow shaft.



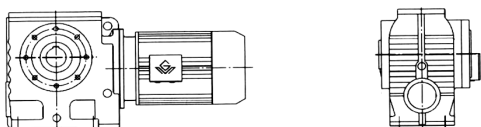
4、GSAF 型: B5 法兰空心轴安装斜齿轮-蜗轮蜗杆减速电机。

Type GSAF: B5 flange mounted helical-worm gear units with hollow shaft.



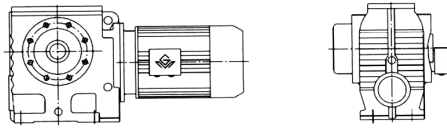
5、GSAZ 型: B14 法兰空心轴安装斜齿轮-蜗轮蜗杆减速电机。

Type GSAZ: B14 flange-mounted helical-worm gear units with hollow shaft.



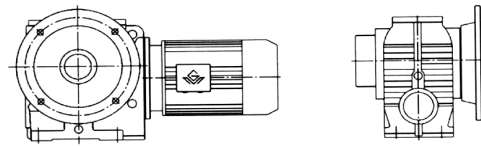
6、GSH 型: 空心轴锁紧盘安装斜齿轮-蜗轮蜗杆减速电机。

Type GSH: Helical-worm geared motor with hollow shaft and shrink disk.



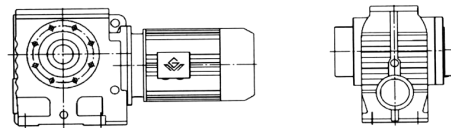
7、GSHF 型: B5 法兰空心轴锁紧盘安装斜齿轮-蜗轮蜗杆减速电机。

Type GSHF: B5 flange-mounted helical-worm geared motor with hollow shaft and shrink disk.



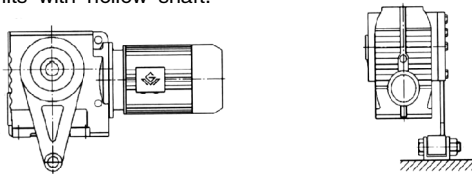
8、GSHZ 型: B14 法兰空心轴锁紧盘安装斜齿轮-蜗轮蜗杆减速电机。

Type GSHZ: B14 flange-mounted helical-worm geared motor with hollow shaft and shrink disk.



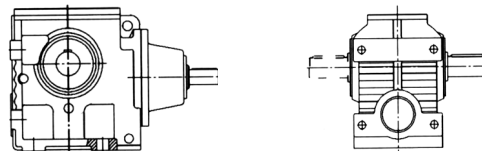
9、GSAT/GSHT 型: 带防转臂空心轴安装斜齿轮-蜗轮蜗杆减速电机。

Type GSAT/GSHT: Torque-arm-mounted helical-worm gear units with hollow shaft.



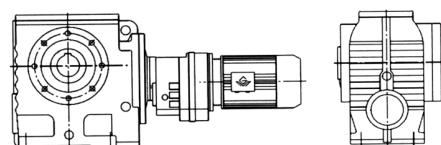
10、GS..SZ..AD..型: 轴输入的斜齿轮-蜗轮蜗杆减速电机。

Type GS..SZ..AD..: Shaft input helical-worm gear units.

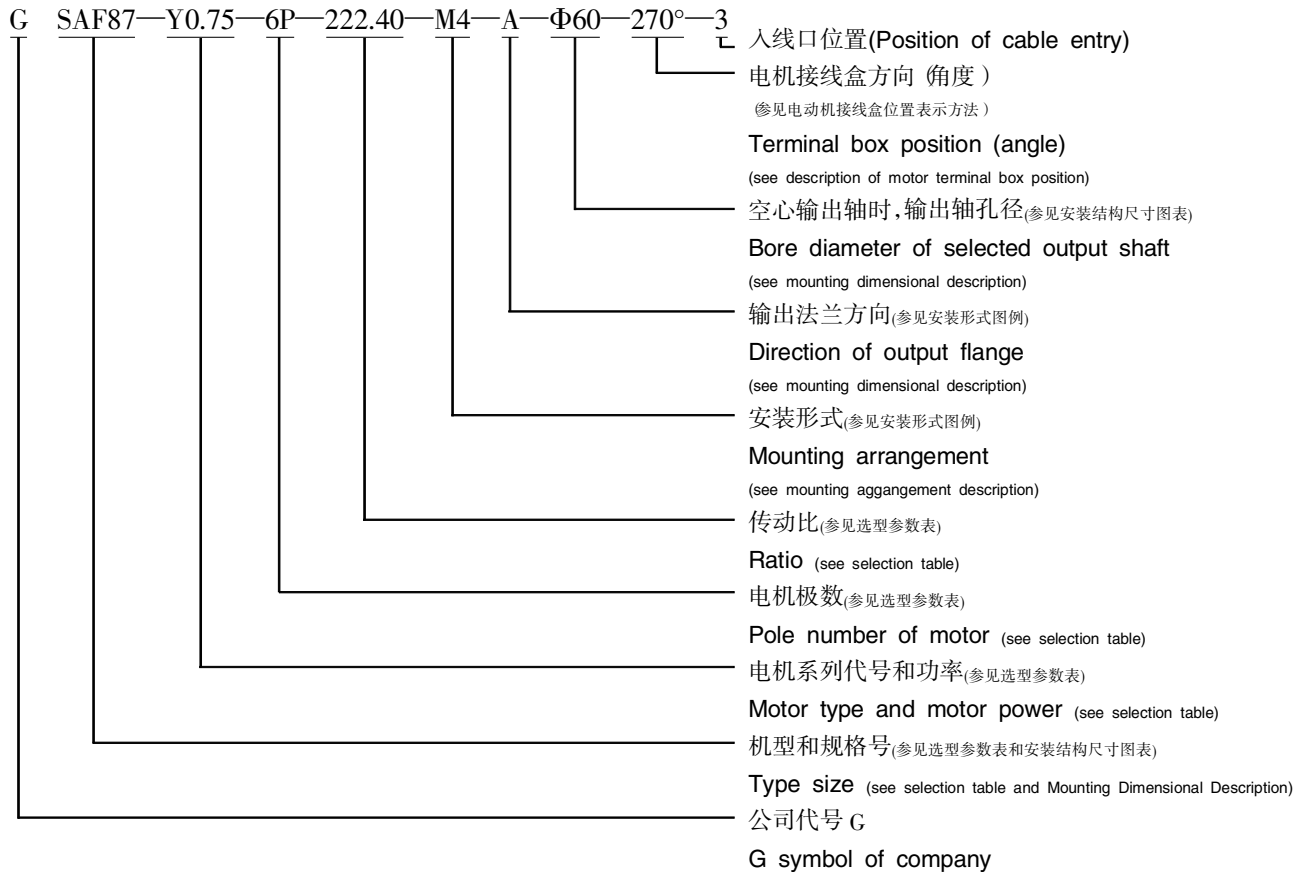


11、GS..R 型: GS 系列和 GR 系列的组合。

Type GS..R: Combined types of series GS and series GR.



GS系列机型号表示方法 Type Expression of GS Series



注:1、需带联接法兰时请注明

2、输入轴型没有电动机各项内容。

3、不注明接线盒方向时,则默认为安装形式中的0度位置。不注明入线口位置时,则默认为X位置。

4、对输出轴旋转方向和输入轴旋转方向有特别要求的用户,请与技术部联系,并在订货时用简图或文字说明。

Note: 1、Please make a note, if it needs connecting flange.

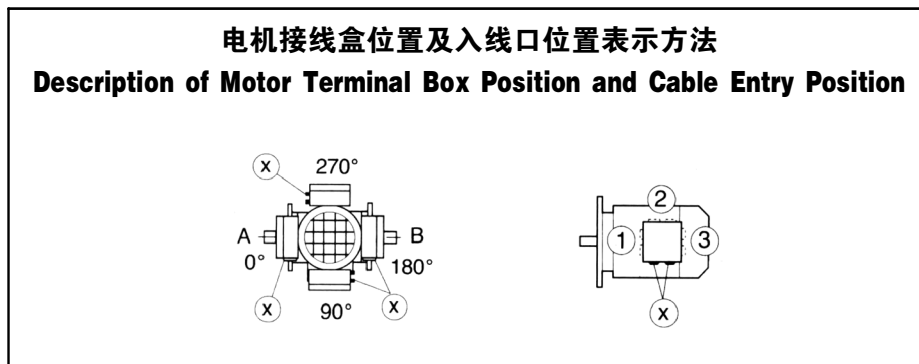
2、Contents of motors for input shaft types are not listed.

3、Degree=0°, if terminal box position is not mentioned. It is X, if cable entry position is not mentioned.

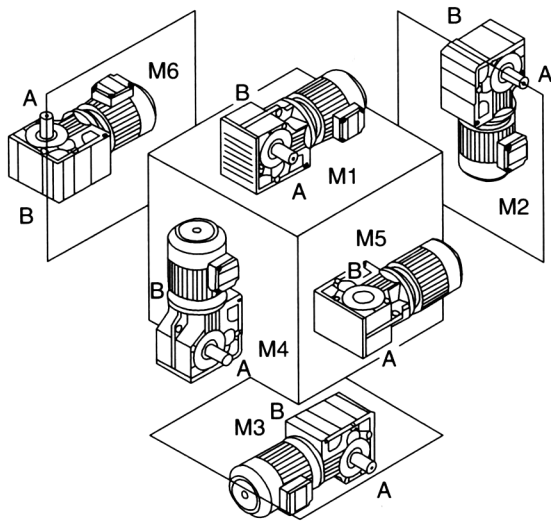
4、If specific rotation directions of output shaft or/and input shaft are specially requested, please contact our technology department, and make detailed description while placing order.

电机接线盒位置及入线口位置表示方法

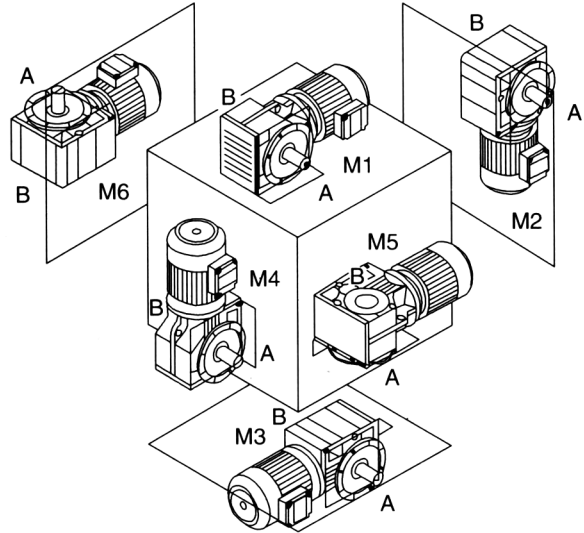
Description of Motor Terminal Box Position and Cable Entry Position



安装形式图例



Mounting Arrangements Description



各种安装形式定义为:

- M1—电机水平放置;减速机底脚朝下。
- M2—电机居下。
- M3—电机水平放置;减速机底脚朝上。
- M4—电机居上。
- M5—电机水平放置;当减速机在 M1 安装位置时,从电机方向看,减速机的左面旋转到下方位置。
- M6—电机水平放置;当减速机在 M1 安装位置时,从电机方向看,减速机的左面旋转到上方位置。

Different kinds of mounting arrangements are defined as following:

- M1—horizontally mounted motor, unit base is at bottom.
- M2—motor is vertically mounted downwards.
- M3—horizontally mounted motor, unit base is top.
- M4—motor is vertically mounted upwards.
- M5—horizontally mounted motor, if placed on M1 position, left side of unit turns to bottom (view point: towards from motor side).
- M6—horizontally mounted motor, if placed on M1 position, left side of unit turns to top (view point: towards from motor side).

减速机重量 (Gear unit weight)

规格 Size	GS37	GS47	GS57	GS67	GS77	GS87	GS97	GS100
重量(kg) Weight	7	10	14	26	50	95	170	240

注:重量为平均值,不包括电机,仅供参考。

(Note: The weights mean are values, without the motor, only for reference.)

选型表注释 (Description of selection table)

恒功率 Constant power

n_a [r/min]	M_a [Nm]	i	F_{ra} [kN]	f_B	机型号 Type size	极数 Pole
↓	↓	↓	↓	↓		
输出转速 Output speed	输出转矩 Output torque	减速机速比 Gear unit ratio	许用径向载荷 Permissible radial load	使用系数 Service factor		

恒转矩 Constant torque

M_{max} [Nm]	n_a [r/min]	i	F_{ra} [kN]	机型号 Type size	P [kW]/4P
↓	↓	↓	↓		↓
最大输出转矩 Max. output torque	输出转速 Output speed	减速机速比 Gear unit ratio	许用径向载荷 Permissible radial load		电机功率 Motor power

选型参数表
(恒功率)

Selection Table
(Constant Power)

n_a [r/min]	M_a [Nm]	i	F_{ra} [kN]	f_B	机型号 Type size	极数 Pole	n_a [r/min]	M_a [Nm]	i	F_{ra} [kN]	f_B	机型号 Type size	极数 Pole																																																																																																																																																																																																																																																																																																																																																																																																																																																																																																																																																													
0.12kW							0.12kW																																																																																																																																																																																																																																																																																																																																																																																																																																																																																																																																																																			
0.10	7446	12901	40	0.85	GS100R77	4P	8.3	72	157.43	2.9	1.10	GS37 GSF37 GSA37 GSAF37	4P																																																																																																																																																																																																																																																																																																																																																																																																																																																																																																																																																													
0.11	6757	11708	40	0.95	GSF100R77		0.12	6186	10719	40	1.05			GSA100R77	0.13	5614	9727	40	1.15	GSAF100R77	0.16	4825	8360	40	1.35		0.12	4325	11267	27	0.90	GS97R57	4P	15	41	86.36	2.9	1.40	GS37 GSF37 GSA37 GSAF37	4P	0.13	3869	10078	31	1.10	GSF97R57	0.15	3304	8608	32	1.25	GSA97R57	0.17	2900	7554	33	1.45	GSAF97R57	0.17	2767	7643	14	0.90		0.20	2428	6706	26	1.05	GS87R57	4P	23	33	55.93	2.9	1.50	GS37 GSF37 GSA37 GSAF37	4P	0.22	2184	5875	26	1.15	GSF87R57	0.25	1928	5187	27	1.30	GSA87R57	0.28	1759	4606	27	1.40	GSAF87R57	0.34	1479	3872	28	1.55		0.37	1334	3540	9.2	0.95		4P	35	23	37.66	2.9	1.75	GS37 GSF37 GSA37 GSAF37	4P	0.42	1167	3098	12	1.10		0.55	1309	2374	11	0.90	GS77R37	0.63	1149	2083	12	1.10	GSF77R37	0.72	1015	1813	13	1.30	GSA77R37	0.75	977	1745	14	1.35	GSAF77R37	0.82	896	1600	14	1.40		0.93	786	1404	14	1.50		1.1	708	1245	15	1.60		1.0	713	1363	4.6	0.80		4P	37	21	35.10	2.9	1.75	GS37 GSF37 GSA37 GSAF37	4P	1.1	668	1194	7.8	0.85		1.3	589	1045	8.3	1.00		1.4	519	914	8.8	1.10	GS67R37	1.6	463	809	9.1	1.25	GSF67R37	1.8	410	712	9.4	1.40	GSA67R37	2.1	356	615	10	1.55	GSAF67R37	2.4	317	543	10	1.60		2.8	276	469	10	1.75		3.1	250	424	10	1.80		3.6	217	365	10	1.95		4P	43	19	30.68	2.9	1.85	GS37 GSF37 GSA37 GSAF37	4P	2.0	355	655	6.6	0.85		2.3	321	574	6.9	0.95		2.6	284	506	7.2	1.10	GS57R17	3.0	248	438	7.4	1.25	GSF57R17	3.4	221	388	7.5	1.35	GSA57R17	3.9	193	336	7.6	1.45	GSAF57R17	4.5	170	294	7.7	1.55		4.9	156	269	7.7	1.60		3.0	231	438	4.8	0.80		4P	46	18	28.76	2.9	1.90	GS37 GSF37 GSA37 GSAF37	4P	3.4	225	388	4.9	0.85		3.9	196	336	5.1	0.95	GS47R17	4.5	173	294	5.2	1.10	GSF47R17	5.1	115	257	5.4	1.40	GSA47R17	5.7	136	229	5.3	1.30	GSAF47R17	6.6	119	200	5.3	1.35		7.0	112	187	5.4	1.40		6.5	108	202	2.9	0.85		7.3	96	179	2.9	0.95	GS37R17	8.3	86	158	2.9	1.05	GSF37R17	9.1	78	144	2.9	1.05	GSA37R17	11	65	118	2.9	1.15	GSAF37R17	12	61	110	2.9	1.15		4P	52	16	25.38	2.9	2.00	GS37 GSF37 GSA37 GSAF37	4P	6.5	93	201.00	5.4	1.55		7.1	86	184.80	5.4	1.60	GS47	8.3	75	158.12	5.5	1.65	GSF47	9.6	65	137.05	5.5	1.80	GSA47	10	62	128.10	5.5	1.80	GSAF47	12	54	110.73	5.5	1.90		3.0	372	438	6.3	0.85		3.4	332	388	6.7	0.90		3.9	290	336	7.0	1.05	GS57R17	4.5	255	294	7.2	1.20	GSF57R17	4.9	234	269	7.3	1.30	GSA57R17	5.7	201	229	7.5	1.40	GSAF57R17	6.4	180	204	7.6	1.50		7.0	166	187	7.6	1.55																																																																													
0.12	6186	10719	40	1.05	GSA100R77		0.13	5614	9727	40	1.15			GSAF100R77	0.16	4825	8360	40	1.35		0.12	4325	11267	27	0.90	GS97R57	4P	15	41	86.36	2.9	1.40		GS37 GSF37 GSA37 GSAF37	4P	0.13	3869	10078			31	1.10	GSF97R57	0.15	3304	8608	32	1.25	GSA97R57	0.17	2900	7554	33	1.45	GSAF97R57	0.17	2767	7643	14	0.90		0.20	2428	6706	26	1.05	GS87R57	4P	23	33		55.93	2.9	1.50	GS37 GSF37 GSA37 GSAF37	4P			0.22	2184	5875	26	1.15	GSF87R57	0.25	1928	5187	27	1.30	GSA87R57	0.28	1759	4606	27	1.40	GSAF87R57	0.34	1479	3872	28	1.55		0.37	1334	3540	9.2	0.95			4P	35	23	37.66	2.9			1.75	GS37 GSF37 GSA37 GSAF37	4P	0.42	1167	3098	12	1.10		0.55	1309	2374	11	0.90	GS77R37	0.63	1149	2083	12	1.10	GSF77R37	0.72	1015	1813	13	1.30	GSA77R37	0.75	977	1745	14	1.35	GSAF77R37	0.82	896	1600	14	1.40		0.93	786	1404	14	1.50		1.1	708	1245	15	1.60		1.0	713	1363		4.6	0.80		4P	37			21	35.10	2.9	1.75	GS37 GSF37 GSA37 GSAF37	4P	1.1	668	1194	7.8	0.85		1.3	589	1045	8.3	1.00		1.4	519	914	8.8	1.10	GS67R37	1.6	463	809	9.1	1.25	GSF67R37	1.8	410	712	9.4	1.40	GSA67R37	2.1	356	615	10	1.55	GSAF67R37	2.4	317	543	10	1.60		2.8	276	469	10	1.75		3.1	250	424	10	1.80			3.6	217	365	10	1.95				4P	43	19	30.68	2.9	1.85	GS37 GSF37 GSA37 GSAF37	4P	2.0	355	655	6.6	0.85		2.3	321	574	6.9	0.95		2.6	284	506	7.2	1.10	GS57R17	3.0	248	438	7.4	1.25	GSF57R17	3.4	221	388	7.5	1.35	GSA57R17	3.9	193	336	7.6	1.45	GSAF57R17	4.5	170	294	7.7	1.55		4.9	156	269		7.7	1.60		3.0	231			438	4.8	0.80		4P	46	18	28.76	2.9	1.90	GS37 GSF37 GSA37 GSAF37	4P	3.4	225	388	4.9	0.85		3.9	196	336	5.1	0.95	GS47R17	4.5	173	294	5.2	1.10	GSF47R17	5.1	115	257	5.4	1.40	GSA47R17	5.7	136	229	5.3	1.30	GSAF47R17	6.6	119	200	5.3	1.35		7.0	112	187	5.4	1.40		6.5	108	202	2.9	0.85		7.3	96	179	2.9	0.95	GS37R17	8.3	86	158	2.9	1.05	GSF37R17	9.1	78	144	2.9	1.05	GSA37R17		11	65	118	2.9	1.15			GSAF37R17	12	61	110	2.9	1.15		4P	52	16	25.38	2.9	2.00	GS37 GSF37 GSA37 GSAF37	4P	6.5	93	201.00	5.4	1.55		7.1	86	184.80	5.4	1.60	GS47	8.3	75	158.12	5.5	1.65	GSF47	9.6	65	137.05	5.5	1.80	GSA47	10	62	128.10	5.5	1.80	GSAF47	12	54	110.73	5.5	1.90		3.0	372	438	6.3	0.85		3.4	332	388	6.7	0.90		3.9	290	336	7.0	1.05	GS57R17	4.5	255	294	7.2	1.20	GSF57R17	4.9	234	269	7.3	1.30	GSA57R17	5.7	201	229	7.5	1.40	GSAF57R17	6.4	180	204	7.6	1.50		7.0	166	187	7.6	1.55																																																														
0.13	5614	9727	40	1.15	GSAF100R77		0.16	4825	8360	40	1.35				0.12	4325	11267	27	0.90	GS97R57	4P	15	41	86.36	2.9	1.40		GS37 GSF37 GSA37 GSAF37	4P	0.13	3869	10078				31	1.10	GSF97R57			0.15	3304	8608	32	1.25	GSA97R57	0.17	2900	7554	33	1.45	GSAF97R57	0.17	2767	7643	14	0.90		0.20	2428	6706	26	1.05	GS87R57	4P	23	33		55.93	2.9		1.50	GS37 GSF37 GSA37 GSAF37	4P					0.22	2184	5875	26	1.15	GSF87R57	0.25	1928	5187	27	1.30	GSA87R57	0.28	1759	4606	27	1.40	GSAF87R57	0.34	1479	3872	28	1.55		0.37	1334	3540	9.2	0.95				4P	35	23	37.66			2.9			1.75	GS37 GSF37 GSA37 GSAF37	4P	0.42	1167	3098	12	1.10		0.55	1309	2374	11	0.90	GS77R37	0.63	1149	2083	12	1.10	GSF77R37	0.72	1015	1813	13	1.30	GSA77R37	0.75	977	1745	14	1.35	GSAF77R37	0.82	896	1600	14	1.40		0.93	786	1404	14	1.50		1.1	708	1245	15	1.60			1.0	713	1363		4.6			0.80		4P	37			21	35.10	2.9	1.75	GS37 GSF37 GSA37 GSAF37	4P	1.1	668	1194	7.8	0.85		1.3	589	1045	8.3	1.00		1.4	519	914	8.8	1.10	GS67R37	1.6	463	809	9.1	1.25	GSF67R37	1.8	410	712	9.4	1.40	GSA67R37	2.1	356	615	10	1.55	GSAF67R37	2.4	317	543	10	1.60		2.8	276	469	10	1.75			3.1	250	424	10	1.80					3.6	217	365	10	1.95				4P	43	19	30.68	2.9	1.85	GS37 GSF37 GSA37 GSAF37	4P	2.0	355	655	6.6	0.85		2.3	321	574	6.9	0.95		2.6	284	506	7.2	1.10	GS57R17	3.0	248	438	7.4	1.25	GSF57R17	3.4	221	388	7.5	1.35	GSA57R17	3.9	193	336	7.6	1.45	GSAF57R17		4.5	170	294	7.7	1.55				4.9	156	269		7.7	1.60		3.0	231			438	4.8	0.80		4P	46	18	28.76	2.9	1.90	GS37 GSF37 GSA37 GSAF37	4P	3.4	225	388	4.9	0.85		3.9	196	336	5.1	0.95	GS47R17	4.5	173	294	5.2	1.10	GSF47R17	5.1	115	257	5.4	1.40	GSA47R17	5.7	136	229	5.3	1.30	GSAF47R17	6.6	119	200	5.3	1.35		7.0	112	187	5.4	1.40		6.5	108	202	2.9	0.85		7.3	96	179	2.9	0.95	GS37R17		8.3	86	158	2.9	1.05			GSF37R17	9.1	78	144	2.9	1.05	GSA37R17		11	65	118	2.9	1.15			GSAF37R17	12	61	110	2.9	1.15		4P	52	16	25.38	2.9	2.00	GS37 GSF37 GSA37 GSAF37	4P	6.5	93	201.00	5.4	1.55		7.1	86	184.80	5.4	1.60	GS47	8.3	75	158.12	5.5	1.65	GSF47	9.6	65	137.05	5.5	1.80	GSA47	10	62	128.10	5.5	1.80	GSAF47	12	54	110.73	5.5	1.90		3.0	372	438	6.3	0.85		3.4	332	388	6.7	0.90		3.9	290	336	7.0	1.05	GS57R17	4.5	255	294	7.2	1.20	GSF57R17	4.9	234	269	7.3	1.30	GSA57R17	5.7	201	229	7.5	1.40	GSAF57R17	6.4	180	204	7.6	1.50		7.0	166	187	7.6	1.55																																															
0.16	4825	8360	40	1.35			0.12	4325	11267	27	0.90			GS97R57	4P	15	41	86.36	2.9	1.40		GS37 GSF37 GSA37 GSAF37	4P	0.13	3869	10078				31	1.10	GSF97R57				0.15	3304	8608			32	1.25	GSA97R57	0.17	2900	7554	33	1.45	GSAF97R57	0.17	2767	7643	14	0.90		0.20	2428	6706	26	1.05	GS87R57	4P	23	33		55.93	2.9		1.50	GS37 GSF37 GSA37 GSAF37		4P							0.22	2184	5875	26	1.15	GSF87R57	0.25	1928	5187	27	1.30	GSA87R57	0.28	1759	4606	27	1.40	GSAF87R57	0.34	1479	3872	28	1.55		0.37	1334	3540	9.2	0.95					4P	35	23			37.66			2.9			1.75	GS37 GSF37 GSA37 GSAF37	4P	0.42	1167	3098	12	1.10		0.55	1309	2374	11	0.90	GS77R37	0.63	1149	2083	12	1.10	GSF77R37	0.72	1015	1813	13	1.30	GSA77R37	0.75	977	1745	14	1.35	GSAF77R37	0.82	896	1600	14	1.40		0.93	786	1404	14	1.50		1.1	708	1245		15	1.60			1.0			713	1363		4.6			0.80		4P	37			21	35.10	2.9	1.75	GS37 GSF37 GSA37 GSAF37	4P	1.1	668	1194	7.8	0.85		1.3	589	1045	8.3	1.00		1.4	519	914	8.8	1.10	GS67R37	1.6	463	809	9.1	1.25	GSF67R37	1.8	410	712	9.4	1.40	GSA67R37	2.1	356	615	10	1.55	GSAF67R37	2.4	317	543	10	1.60			2.8	276	469	10	1.75					3.1	250	424	10	1.80					3.6	217	365	10	1.95				4P	43	19	30.68	2.9	1.85	GS37 GSF37 GSA37 GSAF37	4P	2.0	355	655	6.6	0.85		2.3	321	574	6.9	0.95		2.6	284	506	7.2	1.10	GS57R17	3.0	248	438	7.4	1.25	GSF57R17	3.4	221	388		7.5	1.35	GSA57R17	3.9	193			336	7.6	1.45	GSAF57R17		4.5	170	294	7.7	1.55				4.9	156	269		7.7	1.60		3.0	231			438	4.8	0.80		4P	46	18	28.76	2.9	1.90	GS37 GSF37 GSA37 GSAF37	4P	3.4	225	388	4.9	0.85		3.9	196	336	5.1	0.95	GS47R17	4.5	173	294	5.2	1.10	GSF47R17	5.1	115	257	5.4	1.40	GSA47R17	5.7	136	229	5.3	1.30	GSAF47R17	6.6	119	200	5.3	1.35		7.0	112	187	5.4	1.40			6.5	108	202	2.9	0.85				7.3	96	179	2.9	0.95	GS37R17		8.3	86	158	2.9	1.05			GSF37R17	9.1	78	144	2.9	1.05	GSA37R17		11	65	118	2.9	1.15			GSAF37R17	12	61	110	2.9	1.15		4P	52	16	25.38	2.9	2.00	GS37 GSF37 GSA37 GSAF37	4P	6.5	93	201.00	5.4	1.55		7.1	86	184.80	5.4	1.60	GS47	8.3	75	158.12	5.5	1.65	GSF47	9.6	65	137.05	5.5	1.80	GSA47	10	62	128.10	5.5	1.80	GSAF47	12	54	110.73	5.5	1.90		3.0	372	438	6.3	0.85		3.4	332	388	6.7	0.90		3.9	290	336	7.0	1.05	GS57R17	4.5	255	294	7.2	1.20	GSF57R17	4.9	234	269	7.3	1.30	GSA57R17	5.7	201	229	7.5	1.40	GSAF57R17	6.4	180	204	7.6	1.50		7.0	166	187	7.6	1.55																																
0.12	4325	11267	27	0.90	GS97R57	4P	15	41	86.36	2.9	1.40			GS37 GSF37 GSA37 GSAF37		4P																																																																																																																																																																																																																																																																																																																																																																																																																																																																																																																																																										
0.13	3869	10078	31	1.10	GSF97R57		0.15	3304	8608	32	1.25						GSA97R57	0.17	2900	7554				33	1.45	GSAF97R57				0.17	2767	7643	14			0.90		0.20			2428	6706	26	1.05	GS87R57	4P	23	33	55.93	2.9	1.50	GS37 GSF37 GSA37 GSAF37	4P	0.22	2184	5875	26	1.15	GSF87R57	0.25	1928		5187	27		1.30	GSA87R57		0.28		1759								4606	27	1.40	GSAF87R57	0.34	1479	3872	28	1.55		0.37	1334	3540	9.2	0.95		4P	35	23	37.66	2.9	1.75	GS37 GSF37 GSA37 GSAF37	4P	0.42	1167	3098	12	1.10						0.55	1309			2374			11			0.90			GS77R37	0.63	1149	2083	12	1.10	GSF77R37	0.72	1015	1813	13	1.30	GSA77R37	0.75	977	1745	14	1.35	GSAF77R37	0.82	896	1600	14	1.40		0.93	786	1404	14	1.50		1.1	708	1245	15	1.60		1.0	713	1363	4.6	0.80		4P	37		21	35.10	2.9		1.75			GS37 GSF37 GSA37 GSAF37	4P		1.1			668	1194		7.8			0.85		1.3	589			1045	8.3	1.00		1.4	519	914	8.8	1.10	GS67R37	1.6	463	809	9.1	1.25	GSF67R37	1.8	410	712	9.4	1.40	GSA67R37	2.1	356	615	10	1.55	GSAF67R37	2.4	317	543	10	1.60		2.8	276	469	10	1.75		3.1	250		424	10	1.80		3.6			217		365	10	1.95		4P			43		19	30.68	2.9	1.85	GS37 GSF37 GSA37 GSAF37			4P		2.0	355	655	6.6	0.85				2.3	321	574	6.9	0.95		2.6	284	506	7.2	1.10	GS57R17	3.0	248	438	7.4	1.25	GSF57R17	3.4	221	388	7.5	1.35	GSA57R17	3.9	193		336	7.6	1.45	GSAF57R17	4.5			170	294	7.7	1.55			4.9	156	269	7.7			1.60		3.0	231		438	4.8	0.80		4P			46	18	28.76	2.9		1.90	GS37 GSF37 GSA37 GSAF37	4P	3.4	225			388	4.9	0.85		3.9	196	336	5.1	0.95	GS47R17	4.5	173	294	5.2	1.10	GSF47R17	5.1	115	257	5.4	1.40	GSA47R17	5.7	136	229	5.3	1.30	GSAF47R17	6.6	119	200	5.3	1.35		7.0	112	187	5.4	1.40		6.5	108		202	2.9	0.85		7.3			96	179	2.9	0.95	GS37R17	8.3	86		158	2.9	1.05	GSF37R17	9.1			78	144	2.9	1.05	GSA37R17	11	65		118	2.9	1.15	GSAF37R17	12			61	110	2.9	1.15		4P	52		16	25.38	2.9	2.00	GS37 GSF37 GSA37 GSAF37			4P	6.5	93	201.00	5.4	1.55		7.1	86	184.80	5.4	1.60	GS47	8.3	75	158.12	5.5	1.65	GSF47	9.6	65	137.05	5.5	1.80	GSA47	10	62	128.10	5.5	1.80	GSAF47	12	54	110.73	5.5	1.90		3.0	372	438	6.3	0.85		3.4	332	388	6.7	0.90		3.9	290	336	7.0	1.05	GS57R17	4.5	255	294	7.2	1.20	GSF57R17	4.9	234	269	7.3	1.30	GSA57R17	5.7	201	229	7.5	1.40	GSAF57R17	6.4	180	204	7.6	1.50		7.0	166	187	7.6	1.55																															
0.15	3304	8608	32	1.25	GSA97R57		0.17	2900	7554	33	1.45						GSAF97R57	0.17	2767	7643				14	0.90		0.20			2428	6706	26	1.05			GS87R57	4P	23			33	55.93	2.9	1.50	GS37 GSF37 GSA37 GSAF37		4P	0.22	2184	5875	26			1.15	GSF87R57	0.25	1928	5187	27	1.30	GSA87R57		0.28	1759		4606	27	1.40	GSAF87R57		0.34								1479	3872	28	1.55		0.37	1334	3540	9.2	0.95		4P	35	23	37.66	2.9		1.75	GS37 GSF37 GSA37 GSAF37	4P	0.42	1167			3098	12	1.10		0.55	1309					2374	11			0.90			GS77R37			0.63			1149	2083	12	1.10	GSF77R37	0.72	1015	1813	13	1.30	GSA77R37	0.75	977	1745	14	1.35	GSAF77R37	0.82	896	1600	14	1.40		0.93	786	1404	14	1.50		1.1	708	1245	15	1.60		1.0	713	1363	4.6	0.80		4P	37		21		35.10	2.9	1.75		GS37 GSF37 GSA37 GSAF37						4P			1.1	668		1194			7.8	0.85		1.3			589	1045	8.3	1.00		1.4	519	914	8.8	1.10	GS67R37	1.6	463	809	9.1	1.25	GSF67R37	1.8	410	712	9.4	1.40	GSA67R37	2.1	356	615	10	1.55	GSAF67R37	2.4	317	543	10	1.60		2.8	276	469	10	1.75		3.1		250	424	10	1.80				3.6		217	365	10	1.95						4P	43	19	30.68						2.9	1.85	GS37 GSF37 GSA37 GSAF37	4P	2.0			355	655	6.6	0.85		2.3	321	574	6.9	0.95		2.6	284	506	7.2	1.10	GS57R17	3.0	248	438	7.4	1.25	GSF57R17	3.4	221	388	7.5		1.35	GSA57R17	3.9	193	336			7.6	1.45	GSAF57R17	4.5		170	294	7.7	1.55				4.9	156	269	7.7		1.60		3.0	231				438	4.8	0.80			4P			46	18			28.76	2.9	1.90	GS37 GSF37 GSA37 GSAF37	4P	3.4	225	388	4.9	0.85		3.9	196	336	5.1	0.95	GS47R17	4.5	173	294	5.2	1.10	GSF47R17	5.1	115	257	5.4	1.40	GSA47R17	5.7	136	229	5.3	1.30	GSAF47R17	6.6	119	200	5.3	1.35		7.0		112	187	5.4	1.40				6.5	108	202	2.9	0.85		7.3		96	179	2.9	0.95	GS37R17			8.3	86	158	2.9	1.05	GSF37R17	9.1		78	144	2.9	1.05	GSA37R17			11	65	118	2.9	1.15		GSAF37R17		12	61	110	2.9					1.15		4P	52	16	25.38	2.9	2.00	GS37 GSF37 GSA37 GSAF37	4P	6.5	93	201.00	5.4	1.55		7.1	86	184.80	5.4	1.60	GS47	8.3	75	158.12	5.5	1.65	GSF47	9.6	65	137.05	5.5	1.80	GSA47	10	62	128.10	5.5	1.80	GSAF47	12	54	110.73	5.5	1.90		3.0	372	438	6.3	0.85		3.4	332	388	6.7	0.90		3.9	290	336	7.0	1.05	GS57R17	4.5	255	294	7.2	1.20	GSF57R17	4.9	234	269	7.3	1.30	GSA57R17	5.7	201	229	7.5	1.40	GSAF57R17	6.4	180	204	7.6	1.50		7.0	166	187	7.6	1.55																					
0.17	2900	7554	33	1.45	GSAF97R57		0.17	2767	7643	14	0.90							0.20	2428	6706	26			1.05	GS87R57	4P	23			33	55.93	2.9	1.50			GS37 GSF37 GSA37 GSAF37		4P			0.22	2184	5875	26				1.15	GSF87R57	0.25	1928			5187	27	1.30	GSA87R57	0.28	1759	4606	27		1.40	GSAF87R57	0.34	1479	3872	28	1.55										0.37	1334	3540	9.2	0.95		4P	35	23	37.66	2.9		1.75	GS37 GSF37 GSA37 GSAF37	4P	0.42		1167			3098	12			1.10		0.55	1309	2374	11					0.90	GS77R37			0.63			1149			2083			12	1.10	GSF77R37	0.72	1015	1813	13	1.30	GSA77R37	0.75	977	1745	14	1.35	GSAF77R37	0.82	896	1600	14	1.40		0.93	786	1404	14	1.50		1.1	708	1245	15	1.60		1.0	713	1363	4.6	0.80		4P	37		21		35.10		2.9	1.75	GS37 GSF37 GSA37 GSAF37											4P	1.1		668			1194	7.8	0.85				1.3	589	1045	8.3	1.00		1.4	519	914	8.8	1.10	GS67R37	1.6	463	809	9.1	1.25	GSF67R37	1.8	410	712	9.4	1.40	GSA67R37	2.1	356	615	10	1.55	GSAF67R37	2.4	317	543	10	1.60		2.8	276	469	10	1.75			3.1	250	424	10	1.80					3.6	217	365	10				1.95				4P	43						19	30.68			2.9			1.85	GS37 GSF37 GSA37 GSAF37	4P	2.0	355	655	6.6	0.85		2.3	321	574	6.9	0.95		2.6	284	506	7.2	1.10	GS57R17	3.0	248	438	7.4	1.25	GSF57R17		3.4	221	388	7.5	1.35			GSA57R17	3.9	193	336		7.6	1.45	GSAF57R17	4.5	170			294	7.7	1.55			4.9	156	269	7.7				1.60		3.0	231					438	4.8			0.80		4P			46	18	28.76	2.9	1.90	GS37 GSF37 GSA37 GSAF37	4P	3.4	225	388	4.9	0.85		3.9	196	336	5.1	0.95	GS47R17	4.5	173	294	5.2	1.10	GSF47R17	5.1	115	257	5.4	1.40	GSA47R17	5.7	136	229	5.3	1.30	GSAF47R17		6.6	119	200	5.3	1.35				7.0	112	187	5.4	1.40			6.5	108	202	2.9	0.85				7.3	96	179	2.9	0.95	GS37R17		8.3	86	158	2.9	1.05			GSF37R17	9.1	78	144	2.9		1.05		GSA37R17	11	65	118					2.9	1.15		GSAF37R17	12	61	110	2.9			1.15		4P	52	16	25.38	2.9	2.00	GS37 GSF37 GSA37 GSAF37	4P	6.5	93	201.00	5.4	1.55		7.1	86	184.80	5.4	1.60	GS47	8.3	75	158.12	5.5	1.65	GSF47	9.6	65	137.05	5.5	1.80	GSA47	10	62	128.10	5.5	1.80	GSAF47	12	54	110.73	5.5	1.90		3.0	372	438	6.3	0.85		3.4	332	388	6.7	0.90		3.9	290	336	7.0	1.05	GS57R17	4.5	255	294	7.2	1.20	GSF57R17	4.9	234	269	7.3	1.30	GSA57R17	5.7	201	229	7.5	1.40	GSAF57R17	6.4	180	204	7.6	1.50		7.0	166	187	7.6	1.55											
0.17	2767	7643	14	0.90			0.20	2428	6706	26	1.05				GS87R57		4P	23	33	55.93	2.9			1.50	GS37 GSF37 GSA37 GSAF37		4P			0.22	2184	5875	26								1.15	GSF87R57	0.25	1928				5187	27	1.30	GSA87R57			0.28	1759	4606	27	1.40	GSAF87R57	0.34	1479	3872	28	1.55		0.37	1334	3540	9.2		0.95									4P	35	23	37.66	2.9		1.75	GS37 GSF37 GSA37 GSAF37	4P	0.42		1167			3098		12			1.10				0.55	1309	2374	11	0.90	GS77R37					0.63	1149			2083			12			1.10			GSF77R37	0.72	1015	1813	13	1.30	GSA77R37	0.75	977	1745	14	1.35	GSAF77R37	0.82	896	1600	14	1.40		0.93	786	1404	14	1.50		1.1	708	1245	15	1.60		1.0	713	1363	4.6	0.80		4P	37		21		35.10		2.9		1.75	GS37 GSF37 GSA37 GSAF37													4P		1.1			668	1194	7.8	0.85				1.3	589	1045	8.3	1.00		1.4	519	914	8.8	1.10	GS67R37	1.6	463	809	9.1	1.25	GSF67R37	1.8	410	712	9.4	1.40	GSA67R37	2.1	356	615	10	1.55	GSAF67R37	2.4	317	543	10	1.60		2.8	276	469	10	1.75			3.1	250	424	10			1.80			3.6	217	365				10			1.95								4P	43			19			30.68			2.9	1.85	GS37 GSF37 GSA37 GSAF37	4P	2.0	355	655	6.6	0.85		2.3	321	574	6.9	0.95		2.6	284	506	7.2	1.10	GS57R17	3.0	248		438	7.4	1.25	GSF57R17	3.4			221	388	7.5	1.35		GSA57R17	3.9	193	336	7.6			1.45	GSAF57R17	4.5	170		294	7.7	1.55					4.9	156	269	7.7					1.60				3.0	231				438	4.8	0.80		4P			46	18	28.76	2.9	1.90	GS37 GSF37 GSA37 GSAF37	4P	3.4	225	388	4.9	0.85		3.9	196	336	5.1	0.95	GS47R17	4.5	173	294	5.2	1.10	GSF47R17	5.1	115	257	5.4	1.40		GSA47R17	5.7	136	229	5.3			1.30	GSAF47R17	6.6	119	200	5.3	1.35			7.0	112	187	5.4			1.40		6.5	108	202	2.9	0.85			7.3	96	179	2.9			0.95	GS37R17	8.3	86	158		2.9		1.05	GSF37R17	9.1	78					144	2.9		1.05	GSA37R17	11	65	118			2.9	1.15		GSAF37R17	12	61	110	2.9			1.15		4P	52	16	25.38	2.9	2.00	GS37 GSF37 GSA37 GSAF37	4P	6.5	93	201.00	5.4	1.55		7.1	86	184.80	5.4	1.60	GS47	8.3	75	158.12	5.5	1.65	GSF47	9.6	65	137.05	5.5	1.80	GSA47	10	62	128.10	5.5	1.80	GSAF47	12	54	110.73	5.5	1.90		3.0	372	438	6.3	0.85		3.4	332	388	6.7	0.90		3.9	290	336	7.0	1.05	GS57R17	4.5	255	294	7.2	1.20	GSF57R17	4.9	234	269	7.3	1.30	GSA57R17	5.7	201	229	7.5	1.40	GSAF57R17	6.4	180	204	7.6	1.50		7.0	166	187	7.6	1.55	
0.20	2428	6706	26	1.05	GS87R57	4P	23	33	55.93	2.9	1.50				GS37 GSF37 GSA37 GSAF37			4P																																																																																																																																																																																																																																																																																																																																																																																																																																																																																																																																																								
0.22	2184	5875	26	1.15	GSF87R57		0.25	1928	5187	27	1.30								GSA87R57	0.28	1759			4606						27	1.40	GSAF87R57	0.34								1479	3872	28	1.55				0.37	1334	3540	9.2			0.95		4P	35	23	37.66	2.9	1.75	GS37 GSF37 GSA37 GSAF37	4P	0.42	1167	3098	12	1.10			0.55								1309		2374	11	0.90	GS77R37		0.63			1149		2083			12		1.10			GSF77R37	0.72			1015	1813	13	1.30	GSA77R37	0.75	977				1745	14			1.35			GSAF77R37			0.82			896	1600	14	1.40		0.93	786	1404	14	1.50		1.1	708	1245	15	1.60		1.0	713	1363	4.6	0.80		4P	37	21	35.10	2.9	1.75	GS37 GSF37 GSA37 GSAF37	4P	1.1	668	1194	7.8	0.85			1.3		589		1045		8.3	1.00																	1.4			519	914	8.8	1.10			GS67R37	1.6	463	809	9.1	1.25	GSF67R37	1.8	410	712	9.4	1.40	GSA67R37	2.1	356	615	10	1.55	GSAF67R37	2.4	317	543	10	1.60		2.8	276	469	10	1.75		3.1	250	424	10	1.80		3.6	217	365	10	1.95		4P	43	19	30.68	2.9			1.85		GS37 GSF37 GSA37 GSAF37	4P	2.0	355				655			6.6		0.85										2.3			321			574	6.9			0.95		2.6	284	506	7.2	1.10	GS57R17	3.0	248	438	7.4	1.25	GSF57R17	3.4	221	388	7.5	1.35	GSA57R17	3.9	193	336	7.6	1.45	GSAF57R17			4.5	170	294	7.7		1.55		4.9	156	269			7.7	1.60		3.0		231	438	4.8	0.80					4P	46	18					28.76	2.9			1.90	GS37 GSF37 GSA37 GSAF37				4P	3.4	225	388				4.9	0.85		3.9	196			336	5.1	0.95	GS47R17	4.5	173	294	5.2	1.10	GSF47R17	5.1	115	257	5.4	1.40	GSA47R17	5.7	136	229	5.3	1.30	GSAF47R17	6.6	119	200	5.3	1.35		7.0			112	187	5.4	1.40		6.5	108		202	2.9	0.85		7.3			96	179	2.9	0.95	GS37R17	8.3	86		158	2.9	1.05	GSF37R17	9.1			78	144	2.9	1.05	GSA37R17		11		65	118	2.9	1.15					GSAF37R17	12		61	110	2.9	1.15				4P	52		16	25.38	2.9	2.00	GS37 GSF37 GSA37 GSAF37			4P	6.5		93	201.00	5.4	1.55				7.1	86	184.80	5.4	1.60	GS47	8.3	75	158.12	5.5	1.65	GSF47	9.6	65	137.05	5.5	1.80	GSA47	10	62	128.10	5.5	1.80	GSAF47	12	54	110.73	5.5	1.90		3.0	372	438	6.3	0.85		3.4	332	388	6.7	0.90		3.9	290	336	7.0	1.05	GS57R17	4.5	255	294	7.2	1.20	GSF57R17	4.9	234	269	7.3	1.30	GSA57R17	5.7	201	229	7.5	1.40	GSAF57R17	6.4	180	204	7.6	1.50		7.0	166	187	7.6	1.55							
0.25	1928	5187	27	1.30	GSA87R57		0.28	1759	4606	27	1.40								GSAF87R57	0.34	1479			3872						28	1.55		0.37				1334				3540	9.2	0.95			4P		35	23	37.66	2.9			1.75	GS37 GSF37 GSA37 GSAF37		4P	0.42	1167	3098	12			1.10		0.55	1309	2374	11		0.90								GS77R37		0.63	1149	2083	12		1.10			GSF77R37		0.72			1015		1813			13	1.30			GSA77R37	0.75	977	1745	14	1.35	GSAF77R37	0.82			896	1600			14			1.40						0.93	786	1404	14	1.50		1.1	708	1245	15	1.60		1.0	713	1363	4.6	0.80		4P	37	21	35.10	2.9		1.75	GS37 GSF37 GSA37 GSAF37	4P	1.1	668			1194	7.8	0.85		1.3	589		1045		8.3		1.00			1.4	519			914													8.8			1.10	GS67R37	1.6	463			809	9.1	1.25	GSF67R37	1.8	410	712	9.4	1.40	GSA67R37	2.1	356	615	10	1.55	GSAF67R37	2.4	317	543	10	1.60		2.8	276	469	10	1.75		3.1	250	424	10	1.80		3.6	217	365	10	1.95		4P	43	19		30.68	2.9	1.85	GS37 GSF37 GSA37 GSAF37			4P	2.0			355	655				6.6			0.85									2.3			321			574			6.9	0.95				2.6	284	506	7.2	1.10	GS57R17	3.0	248	438	7.4	1.25	GSF57R17	3.4	221	388	7.5	1.35	GSA57R17	3.9	193	336	7.6	1.45	GSAF57R17	4.5			170	294	7.7	1.55		4.9	156	269	7.7	1.60				3.0	231	438		4.8	0.80		4P				46		18	28.76					2.9	1.90			GS37 GSF37 GSA37 GSAF37						4P	3.4	225				388	4.9	0.85		3.9			196	336	5.1	0.95	GS47R17	4.5	173	294	5.2	1.10	GSF47R17	5.1	115	257	5.4	1.40	GSA47R17	5.7	136	229	5.3	1.30	GSAF47R17	6.6	119	200	5.3	1.35				7.0	112	187	5.4	1.40		6.5	108	202	2.9	0.85		7.3			96	179	2.9	0.95	GS37R17	8.3	86		158	2.9	1.05	GSF37R17	9.1			78	144	2.9	1.05	GSA37R17		11		65	118	2.9	1.15					GSAF37R17	12		61	110	2.9	1.15					4P		52	16	25.38	2.9					2.00		GS37 GSF37 GSA37 GSAF37	4P	6.5	93	201.00			5.4	1.55		7.1	86	184.80	5.4	1.60	GS47	8.3	75	158.12	5.5	1.65	GSF47	9.6	65	137.05	5.5	1.80	GSA47	10	62	128.10	5.5	1.80	GSAF47	12	54	110.73	5.5	1.90		3.0	372	438	6.3	0.85		3.4	332	388	6.7	0.90		3.9	290	336	7.0	1.05	GS57R17	4.5	255	294	7.2	1.20	GSF57R17	4.9	234	269	7.3	1.30	GSA57R17	5.7	201	229	7.5	1.40	GSAF57R17	6.4	180	204	7.6	1.50		7.0	166	187	7.6	1.55				
0.28	1759	4606	27	1.40	GSAF87R57		0.34	1479	3872	28	1.55									0.37	1334			3540		9.2				0.95		4P	35				23				37.66	2.9	1.75	GS37 GSF37 GSA37 GSAF37				4P	0.42	1167	3098			12				1.10		0.55	1309			2374	11	0.90	GS77R37	0.63	1149		2083								12		1.10	GSF77R37	0.72	1015		1813			13		1.30			GSA77R37		0.75			977	1745			14	1.35	GSAF77R37	0.82	896	1600	14	1.40			0.93	786			1404			14			1.50				1.1	708	1245	15	1.60		1.0	713	1363	4.6	0.80		4P	37	21	35.10	2.9		1.75	GS37 GSF37 GSA37 GSAF37	4P	1.1		668			1194	7.8			0.85		1.3	589	1045	8.3		1.00				1.4		519	914	8.8			1.10						GS67R37							1.6			463	809	9.1	1.25			GSF67R37	1.8	410	712	9.4	1.40	GSA67R37	2.1	356	615	10	1.55	GSAF67R37	2.4	317	543	10	1.60		2.8	276	469	10	1.75		3.1	250	424	10	1.80		3.6	217	365	10	1.95		4P	43	19		30.68	2.9		1.85	GS37 GSF37 GSA37 GSAF37	4P					2.0			355	655				6.6	0.85				2.3							321			574			6.9			0.95				2.6	284	506	7.2	1.10	GS57R17	3.0	248	438	7.4	1.25	GSF57R17	3.4	221	388	7.5	1.35	GSA57R17	3.9	193	336	7.6	1.45	GSAF57R17	4.5	170			294	7.7	1.55		4.9	156	269	7.7	1.60				3.0	231	438	4.8	0.80		4P	46					18		28.76	2.9					1.90	GS37 GSF37 GSA37 GSAF37										4P	3.4				225	388	4.9	0.85				3.9	196	336	5.1	0.95	GS47R17	4.5	173	294	5.2	1.10	GSF47R17	5.1	115	257	5.4	1.40	GSA47R17	5.7	136	229	5.3	1.30	GSAF47R17	6.6	119	200	5.3	1.35				7.0	112	187	5.4	1.40		6.5	108	202	2.9	0.85				7.3	96	179	2.9	0.95	GS37R17	8.3	86	158	2.9	1.05	GSF37R17	9.1			78	144	2.9	1.05	GSA37R17		11		65	118	2.9	1.15					GSAF37R17	12		61	110	2.9	1.15							4P	52	16	25.38					2.9				2.00	GS37 GSF37 GSA37 GSAF37	4P			6.5	93	201.00	5.4	1.55		7.1	86	184.80	5.4	1.60	GS47	8.3	75	158.12	5.5	1.65	GSF47	9.6	65	137.05	5.5	1.80	GSA47	10	62	128.10	5.5	1.80	GSAF47	12	54	110.73	5.5	1.90		3.0	372	438	6.3	0.85		3.4	332	388	6.7	0.90		3.9	290	336	7.0	1.05	GS57R17	4.5	255	294	7.2	1.20	GSF57R17	4.9	234	269	7.3	1.30	GSA57R17	5.7	201	229	7.5	1.40	GSAF57R17	6.4	180	204	7.6	1.50		7.0	166	187	7.6	1.55	
0.34	1479	3872	28	1.55			0.37	1334	3540	9.2	0.95								4P	35	23			37.66		2.9				1.75	GS37 GSF37 GSA37 GSAF37		4P				0.42				1167	3098	12						1.10		0.55			1309				2374	11	0.90	GS77R37			0.63	1149	2083	12	1.10	GSF77R37		0.72								1015		1813	13	1.30	GSA77R37		0.75			977		1745			14		1.35			GSAF77R37	0.82			896	1600	14	1.40		0.93	786	1404	14	1.50		1.1			708			1245			15			1.60		1.0	713	1363	4.6	0.80		4P	37	21	35.10	2.9		1.75	GS37 GSF37 GSA37 GSAF37	4P	1.1		668			1194		7.8			0.85				1.3	589	1045	8.3	1.00			1.4		519		914		8.8	1.10	GS67R37			1.6						463						809	9.1			1.25	GSF67R37	1.8	410			712	9.4	1.40	GSA67R37	2.1	356	615	10	1.55	GSAF67R37	2.4	317	543	10	1.60		2.8	276	469	10	1.75		3.1	250	424	10	1.80		3.6	217	365	10	1.95		4P	43	19		30.68	2.9		1.85	GS37 GSF37 GSA37 GSAF37		4P							2.0			355	655				6.6	0.85				2.3					321		574			6.9			0.95				2.6			284	506	7.2	1.10	GS57R17	3.0	248	438	7.4	1.25	GSF57R17	3.4	221	388	7.5	1.35	GSA57R17	3.9	193	336	7.6	1.45	GSAF57R17	4.5	170	294			7.7	1.55		4.9	156	269	7.7	1.60		3.0			231	438	4.8	0.80		4P		46					18		28.76	2.9	1.90				GS37 GSF37 GSA37 GSAF37												4P				3.4	225	388	4.9	0.85				3.9	196	336	5.1	0.95	GS47R17	4.5	173	294	5.2	1.10	GSF47R17	5.1	115	257	5.4	1.40	GSA47R17	5.7	136	229	5.3	1.30	GSAF47R17	6.6	119	200	5.3			1.35		7.0	112	187	5.4	1.40		6.5	108	202	2.9	0.85				7.3	96	179	2.9	0.95	GS37R17	8.3	86	158	2.9	1.05	GSF37R17			9.1	78	144	2.9	1.05		GSA37R17	11	65	118	2.9	1.15					GSAF37R17	12		61	110	2.9	1.15								4P	52	16					25.38				2.9					2.00	GS37 GSF37 GSA37 GSAF37	4P	6.5	93	201.00	5.4	1.55		7.1	86	184.80	5.4	1.60	GS47	8.3	75	158.12	5.5	1.65	GSF47	9.6	65	137.05	5.5	1.80	GSA47	10	62	128.10	5.5	1.80	GSAF47	12	54	110.73	5.5	1.90		3.0	372	438	6.3	0.85		3.4	332	388	6.7	0.90		3.9	290	336	7.0	1.05	GS57R17	4.5	255	294	7.2	1.20	GSF57R17	4.9	234	269	7.3	1.30	GSA57R17	5.7	201	229	7.5	1.40	GSAF57R17	6.4	180	204	7.6	1.50		7.0	166	187
0.37	1334	3540	9.2	0.95		4P	35	23	37.66	2.9	1.75	GS37 GSF37 GSA37 GSAF37	4P																																																																																																																																																																																																																																																																																																																																																																																																																																																																																																																																																													
0.42	1167	3098	12	1.10			0.55	1309	2374	11	0.90						GS77R37			0.63	1149			2083		12				1.10							GSF77R37		0.72	1015	1813	13	1.30						GSA77R37	0.75	977			1745				14	1.35	GSAF77R37	0.82			896	1600	14	1.40		0.93		786						1404	14	1.50			1.1	708	1245		15			1.60					1.0	713	1363			4.6	0.80				4P	37	21	35.10	2.9	1.75	GS37 GSF37 GSA37 GSAF37	4P	1.1	668	1194	7.8	0.85				1.3			589			1045	8.3	1.00		1.4	519	914	8.8		1.10	GS67R37	1.6	463		809			9.1		1.25			GSF67R37		1.8			410	712			9.4	1.40	GSA67R37	2.1	356	615		10		1.55		GSAF67R37	2.4	317	543	10			1.60			2.8			276						469	10			1.75		3.1	250			424	10	1.80		3.6	217	365	10	1.95		4P	43	19	30.68	2.9	1.85	GS37 GSF37 GSA37 GSAF37	4P	2.0	355	655	6.6	0.85		2.3	321	574	6.9	0.95		2.6	284	506	7.2		1.10	GS57R17		3.0	248		438							7.4	1.25		GSF57R17			3.4	221	388			7.5	1.35		GSA57R17		3.9					193		336			7.6			1.45			GSAF57R17	4.5			170	294	7.7	1.55		4.9	156	269	7.7	1.60		3.0	231	438	4.8	0.80		4P	46	18	28.76	2.9	1.90	GS37 GSF37 GSA37 GSAF37	4P	3.4	225	388	4.9	0.85		3.9	196	336	5.1	0.95	GS47R17	4.5			173	294	5.2	1.10	GSF47R17			5.1		115			257		5.4	1.40	GSA47R17																				5.7	136	229	5.3	1.30			GSAF47R17	6.6	119	200	5.3	1.35		7.0	112	187	5.4	1.40		6.5	108	202	2.9	0.85		7.3	96	179	2.9	0.95	GS37R17	8.3	86	158	2.9	1.05	GSF37R17	9.1	78	144	2.9	1.05	GSA37R17	11	65	118	2.9	1.15	GSAF37R17	12			61	110	2.9	1.15		4P	52	16	25.38	2.9	2.00	GS37 GSF37 GSA37 GSAF37	4P			6.5	93	201.00	5.4	1.55		7.1	86	184.80	5.4	1.60	GS47					8.3	75		158.12	5.5	1.65	GSF47	9.6								65	137.05					5.5				1.80					GSA47			10	62	128.10	5.5	1.80	GSAF47	12	54	110.73	5.5	1.90		3.0	372	438	6.3	0.85		3.4	332	388	6.7	0.90		3.9	290	336	7.0	1.05	GS57R17	4.5	255	294	7.2	1.20	GSF57R17	4.9	234	269	7.3	1.30	GSA57R17	5.7	201	229	7.5	1.40	GSAF57R17	6.4	180	204	7.6	1.50		7.0	166	187	7.6	1.55																						
0.55	1309	2374	11	0.90	GS77R37		0.63	1149	2083	12	1.10						GSF77R37			0.72	1015			1813		13				1.30				GSA77R37	0.75		977		1745	14	1.35	GSAF77R37	0.82						896	1600	14			1.40					0.93	786	1404			14	1.50		1.1	708	1245		15				1.60		1.0	713	1363		4.6	0.80		4P		37			21	35.10	2.9			1.75	GS37 GSF37 GSA37 GSAF37	4P			1.1	668			1194		7.8	0.85		1.3	589			1045	8.3	1.00		1.4	519	914	8.8	1.10			GS67R37			1.6	463	809	9.1	1.25	GSF67R37	1.8	410		712	9.4	1.40	GSA67R37		2.1			356		615			10		1.55			GSAF67R37	2.4			317	543	10	1.60		2.8		276		469	10	1.75		3.1	250	424			10		1.80				3.6		217	365			10	1.95				4P	43	19			30.68	2.9	1.85	GS37 GSF37 GSA37 GSAF37	4P	2.0	355	655	6.6	0.85			2.3	321	574	6.9			0.95		2.6	284	506	7.2	1.10	GS57R17	3.0	248	438	7.4	1.25	GSF57R17	3.4	221		388	7.5		1.35	GSA57R17		3.9							193	336		7.6			1.45	GSAF57R17	4.5	170	294	7.7	1.55		4.9		156					269		7.7			1.60						3.0	231			438	4.8	0.80		4P	46	18	28.76	2.9	1.90	GS37 GSF37 GSA37 GSAF37	4P	3.4	225	388	4.9	0.85			3.9	196	336	5.1			0.95	GS47R17	4.5	173	294	5.2	1.10	GSF47R17	5.1	115	257	5.4	1.40	GSA47R17	5.7	136	229	5.3	1.30	GSAF47R17			6.6		119			200		5.3	1.35		7.0																			112	187	5.4	1.40				6.5	108	202	2.9	0.85		7.3	96	179	2.9	0.95	GS37R17	8.3	86	158	2.9	1.05	GSF37R17	9.1	78	144	2.9	1.05	GSA37R17	11	65	118	2.9	1.15	GSAF37R17	12	61	110	2.9	1.15		4P	52	16	25.38	2.9	2.00	GS37 GSF37 GSA37 GSAF37	4P	6.5	93	201.00	5.4	1.55		7.1		86	184.80	5.4	1.60	GS47					8.3	75	158.12	5.5	1.65	GSF47	9.6	65	137.05	5.5	1.80	GSA47					10	62	128.10	5.5	1.80	GSAF47	12	54								110.73	5.5					1.90									3.0			372	438	6.3	0.85		3.4	332	388	6.7	0.90		3.9	290	336	7.0	1.05	GS57R17	4.5	255	294	7.2	1.20	GSF57R17	4.9	234	269	7.3	1.30	GSA57R17	5.7	201	229	7.5	1.40	GSAF57R17	6.4	180	204	7.6	1.50		7.0	166	187	7.6	1.55																																			
0.63	1149	2083	12	1.10	GSF77R37		0.72	1015	1813	13	1.30						GSA77R37			0.75	977			1745		14		1.35	GSAF77R37	0.82				896	1600		14		1.40		0.93	786	1404						14	1.50				1.1				708	1245	15	1.60				1.0	713	1363	4.6	0.80				4P	37	21	35.10	2.9	1.75	GS37 GSF37 GSA37 GSAF37		4P	1.1	668		1194	7.8			0.85		1.3			589					1045	8.3			1.00			1.4	519	914	8.8			1.10	GS67R37	1.6	463	809	9.1	1.25	GSF67R37	1.8	410	712	9.4			1.40	GSA67R37	2.1	356	615	10	1.55	GSAF67R37		2.4	317	543	10		1.60					2.8			276		469			10	1.75				3.1	250	424	10	1.80			3.6	217	365	10	1.95		4P	43			19		30.68	2.9			1.85		GS37 GSF37 GSA37 GSAF37	4P			2.0	355	655	6.6	0.85			2.3			321	574	6.9			0.95		2.6	284	506		7.2	1.10	GS57R17	3.0	248			438	7.4	1.25	GSF57R17	3.4	221	388	7.5	1.35	GSA57R17	3.9	193	336	7.6	1.45	GSAF57R17		4.5	170		294	7.7		1.55								4.9		156			269	7.7	1.60		3.0	231	438	4.8	0.80		4P		46	18		28.76		2.9			1.90			GS37 GSF37 GSA37 GSAF37			4P	3.4			225	388	4.9	0.85			3.9	196	336	5.1			0.95	GS47R17	4.5	173	294		5.2	1.10	GSF47R17	5.1	115			257	5.4	1.40	GSA47R17	5.7	136	229	5.3	1.30	GSAF47R17	6.6	119	200	5.3	1.35		7.0	112	187	5.4			1.40			6.5	108	202		2.9	0.85		7.3									96										179	2.9	0.95	GS37R17	8.3			86	158	2.9	1.05	GSF37R17	9.1	78	144	2.9	1.05	GSA37R17	11	65	118	2.9	1.15	GSAF37R17	12	61	110	2.9	1.15		4P	52	16	25.38	2.9	2.00	GS37 GSF37 GSA37 GSAF37	4P	6.5	93	201.00	5.4	1.55			7.1	86	184.80	5.4			1.60	GS47	8.3	75	158.12	5.5	1.65		GSF47	9.6	65	137.05	5.5			1.80	GSA47	10	62	128.10	5.5	1.80	GSAF47	12	54	110.73	5.5	1.90						3.0	372	438	6.3	0.85		3.4	332					388			6.7	0.90									3.9					290			336	7.0	1.05	GS57R17	4.5	255	294	7.2	1.20	GSF57R17	4.9	234	269	7.3	1.30	GSA57R17	5.7	201	229	7.5	1.40	GSAF57R17	6.4	180	204	7.6	1.50		7.0	166	187	7.6	1.55																																																
0.72	1015	1813	13	1.30	GSA77R37		0.75	977	1745	14	1.35						GSAF77R37			0.82	896	1600	14	1.40				0.93	786	1404				14	1.50				1.1	708	1245	15	1.60							1.0	713			1363				4.6	0.80		4P			37	21	35.10	2.9	1.75	GS37 GSF37 GSA37 GSAF37	4P	1.1	668		1194	7.8	0.85		1.3		589		1045	8.3		1.00				1.4	519	914			8.8					1.10	GS67R37			1.6		463	809	9.1	1.25	GSF67R37			1.8	410	712	9.4	1.40	GSA67R37	2.1	356	615	10	1.55	GSAF67R37	2.4	317	543	10	1.60		2.8	276	469	10		1.75		3.1	250		424			10		1.80					3.6			217	365			10	1.95		4P	43	19	30.68	2.9	1.85	GS37 GSF37 GSA37 GSAF37	4P	2.0	355	655		6.6			0.85			2.3			321						574	6.9	0.95		2.6		284	506	7.2	1.10	GS57R17	3.0	248			438	7.4	1.25	GSF57R17	3.4		221	388	7.5	1.35	GSA57R17			3.9	193	336	7.6	1.45	GSAF57R17	4.5	170	294	7.7	1.55		4.9	156	269	7.7		1.60			3.0	231		438							4.8	0.80					4P	46	18	28.76	2.9	1.90	GS37 GSF37 GSA37 GSAF37	4P	3.4	225			388	4.9		0.85		3.9			196	336	5.1					0.95			GS47R17	4.5	173	294		5.2	1.10	GSF47R17	5.1	115			257	5.4	1.40	GSA47R17	5.7		136	229	5.3	1.30	GSAF47R17			6.6	119	200	5.3	1.35		7.0	112	187	5.4	1.40		6.5	108	202	2.9	0.85		7.3	96			179		2.9	0.95	GS37R17	8.3		86	158	2.9	1.05					GSF37R17	9.1			78							144			2.9	1.05	GSA37R17	11	65			118	2.9	1.15	GSAF37R17	12	61	110	2.9	1.15		4P	52	16	25.38	2.9	2.00	GS37 GSF37 GSA37 GSAF37	4P	6.5	93	201.00	5.4	1.55			7.1	86	184.80	5.4			1.60	GS47	8.3	75	158.12		5.5	1.65	GSF47	9.6	65			137.05	5.5	1.80	GSA47	10	62	128.10		5.5	1.80	GSAF47	12	54			110.73	5.5	1.90		3.0	372	438	6.3	0.85		3.4	332	388	6.7		0.90			3.9	290	336	7.0	1.05	GS57R17	4.5	255					294			7.2	1.20					GSF57R17	4.9			234					269			7.3	1.30	GSA57R17	5.7	201	229	7.5	1.40	GSAF57R17	6.4	180	204	7.6	1.50		7.0	166	187	7.6	1.55																																																													
0.75	977	1745	14	1.35	GSAF77R37		0.82	896	1600	14	1.40					0.93	786			1404	14	1.50		1.1		708		1245	15	1.60					1.0		713		1363	4.6	0.80		4P						37	21	35.10			2.9				1.75	GS37 GSF37 GSA37 GSAF37	4P				1.1	668	1194	7.8	0.85				1.3		589	1045	8.3	1.00			1.4		519	914		8.8	1.10			GS67R37	1.6	463			809					9.1	1.25			GSF67R37		1.8	410	712	9.4	1.40			GSA67R37	2.1	356	615	10	1.55	GSAF67R37	2.4	317	543	10	1.60		2.8	276	469	10	1.75		3.1	250	424		10	1.80		3.6		217			365		10			1.95					4P	43			19	30.68	2.9		1.85	GS37 GSF37 GSA37 GSAF37	4P	2.0	355			655	6.6	0.85					2.3		321	574			6.9						0.95		2.6	284	506		7.2	1.10	GS57R17	3.0	248	438	7.4			1.25	GSF57R17	3.4	221	388		7.5	1.35	GSA57R17	3.9	193			336	7.6	1.45	GSAF57R17	4.5	170	294	7.7	1.55		4.9	156	269	7.7	1.60			3.0	231		438	4.8		0.80								4P		46				18	28.76	2.9	1.90	GS37 GSF37 GSA37 GSAF37			4P	3.4			225	388		4.9	0.85				3.9	196	336					5.1			0.95	GS47R17	4.5	173		294	5.2	1.10	GSF47R17	5.1			115	257	5.4	1.40	GSA47R17		5.7	136	229	5.3	1.30			GSAF47R17	6.6	119	200	5.3	1.35		7.0	112	187	5.4	1.40		6.5	108	202	2.9	0.85		7.3			96		179	2.9	0.95	GS37R17		8.3	86	158	2.9					1.05	GSF37R17			9.1							78			144	2.9	1.05	GSA37R17	11			65	118	2.9	1.15	GSAF37R17	12	61	110	2.9	1.15			4P	52	16	25.38			2.9	2.00	GS37 GSF37 GSA37 GSAF37	4P	6.5		93	201.00	5.4	1.55				7.1	86	184.80	5.4	1.60		GS47	8.3	75	158.12	5.5			1.65	GSF47	9.6	65	137.05	5.5	1.80		GSA47	10	62	128.10	5.5			1.80	GSAF47	12	54	110.73	5.5	1.90		3.0	372	438	6.3	0.85			3.4	332		388	6.7	0.90		3.9	290	336	7.0					1.05			GS57R17	4.5					255	294			7.2					1.20			GSF57R17	4.9	234	269	7.3	1.30	GSA57R17	5.7	201	229	7.5	1.40	GSAF57R17	6.4	180	204	7.6	1.50		7.0	166	187	7.6	1.55																																																									
0.82	896	1600	14	1.40			0.93	786	1404	14	1.50					1.1	708			1245	15	1.60		1.0		713		1363	4.6	0.80					4P		37		21	35.10	2.9	1.75							GS37 GSF37 GSA37 GSAF37	4P	1.1	668	1194	7.8		0.85								1.3	589	1045	8.3	1.00				1.4		519	914	8.8	1.10	GS67R37		1.6		463	809		9.1	1.25			GSF67R37	1.8	410			712					9.4	1.40	GSA67R37	2.1	356		615	10	1.55	GSAF67R37	2.4			317	543	10	1.60		2.8	276	469	10	1.75		3.1	250	424	10	1.80		3.6	217	365	10	1.95			4P	43	19		30.68			2.9		1.85			GS37 GSF37 GSA37 GSAF37	4P	2.0				355			655	6.6	0.85					2.3	321			574	6.9	0.95					2.6		284	506	7.2	1.10	GS57R17						3.0	248	438	7.4	1.25		GSF57R17	3.4	221	388	7.5	1.35	GSA57R17			3.9	193	336	7.6	1.45		GSAF57R17	4.5	170	294	7.7			1.55		4.9	156	269	7.7	1.60		3.0	231	438	4.8	0.80		4P	46		18	28.76		2.9	1.90		GS37 GSF37 GSA37 GSAF37		4P					3.4			225				388	4.9	0.85						3.9		196	336	5.1	0.95	GS47R17	4.5	173			294	5.2	1.10					GSF47R17			5.1	115	257	5.4		1.40	GSA47R17	5.7	136	229			5.3	1.30	GSAF47R17	6.6	119		200	5.3	1.35		7.0			112	187	5.4	1.40		6.5	108	202	2.9	0.85		7.3	96	179	2.9	0.95	GS37R17	8.3	86	158			2.9		1.05	GSF37R17	9.1	78	144	2.9	1.05	GSA37R17	11	65	118			2.9	1.15			GSAF37R17							12			61	110	2.9	1.15				4P	52	16	25.38	2.9	2.00	GS37 GSF37 GSA37 GSAF37	4P	6.5	93		201.00		5.4	1.55				7.1	86			184.80		5.4	1.60	GS47	8.3	75			158.12	5.5	1.65	GSF47	9.6		65	137.05	5.5	1.80	GSA47			10	62	128.10	5.5	1.80	GSAF47	12		54	110.73	5.5	1.90				3.0	372	438	6.3	0.85		3.4	332	388	6.7	0.90		3.9	290	336	7.0	1.05	GS57R17	4.5	255	294	7.2	1.20	GSF57R17	4.9	234			269		7.3			1.30	GSA57R17					5.7	201			229					7.5			1.40	GSAF57R17	6.4	180	204	7.6	1.50		7.0	166	187	7.6	1.55																																																																				
0.93	786	1404	14	1.50			1.1	708	1245	15	1.60					1.0	713			1363	4.6	0.80		4P		37		21	35.10	2.9				1.75			GS37 GSF37 GSA37 GSAF37		4P	1.1	668	1194			7.8	0.85					1.3	589	1045	8.3		1.00								1.4	519	914	8.8	1.10			GS67R37	1.6		463	809	9.1	1.25	GSF67R37		1.8		410	712		9.4	1.40			GSA67R37	2.1	356			615			10	1.55	GSAF67R37	2.4	317	543	10		1.60		2.8	276	469			10	1.75		3.1	250	424	10	1.80		3.6	217	365	10	1.95		4P	43	19	30.68	2.9	1.85	GS37 GSF37 GSA37 GSAF37		4P		2.0	355		655			6.6	0.85						2.3				321			574	6.9	0.95					2.6	284			506	7.2	1.10		GS57R17			3.0	248	438	7.4	1.25	GSF57R17	3.4	221					388	7.5	1.35	GSA57R17	3.9		193	336	7.6	1.45	GSAF57R17	4.5	170			294	7.7	1.55		4.9		156	269	7.7	1.60				3.0	231	438	4.8	0.80		4P	46	18	28.76	2.9	1.90	GS37 GSF37 GSA37 GSAF37	4P		3.4		225	388		4.9	0.85									3.9			196				336	5.1	0.95	GS47R17					4.5		173	294	5.2	1.10	GSF47R17	5.1	115	257	5.4	1.40	GSA47R17	5.7					136			229	5.3	1.30	GSAF47R17		6.6	119	200	5.3	1.35				7.0	112	187	5.4		1.40		6.5	108	202			2.9	0.85		7.3	96	179	2.9	0.95	GS37R17	8.3	86	158	2.9	1.05	GSF37R17	9.1	78	144	2.9	1.05			GSA37R17	11	65	118	2.9	1.15	GSAF37R17	12	61	110	2.9	1.15				4P	52			16	25.38	2.9					2.00			GS37 GSF37 GSA37 GSAF37	4P	6.5	93	201.00				5.4	1.55		7.1	86			184.80	5.4		1.60		GS47	8.3	75			158.12	5.5			1.65		GSF47	9.6	65	137.05	5.5			1.80	GSA47	10	62	128.10		5.5	1.80	GSAF47	12	54			110.73	5.5	1.90		3.0	372	438		6.3	0.85		3.4	332			388	6.7	0.90		3.9	290	336	7.0	1.05	GS57R17	4.5	255	294	7.2	1.20	GSF57R17	4.9	234	269	7.3	1.30	GSA57R17	5.7	201	229	7.5	1.40	GSAF57R17	6.4	180	204			7.6	1.50						7.0			166					187			7.6	1.55																																																																															
1.1	708	1245	15	1.60			1.0	713	1363	4.6	0.80					4P	37			21	35.10	2.9	1.75			GS37 GSF37 GSA37 GSAF37		4P	1.1	668		1194		7.8		0.85				1.3	589	1045			8.3	1.00					1.4	519	914	8.8		1.10		GS67R37						1.6	463	809	9.1	1.25			GSF67R37	1.8		410	712	9.4	1.40	GSA67R37		2.1		356	615		10	1.55			GSAF67R37	2.4	317	543	10	1.60				2.8	276	469	10	1.75			3.1	250	424	10	1.80				3.6	217	365	10	1.95		4P	43	19	30.68	2.9	1.85	GS37 GSF37 GSA37 GSAF37	4P		2.0	355	655	6.6	0.85						2.3	321	574			6.9	0.95						2.6				284			506	7.2	1.10		GS57R17			3.0	248			438	7.4	1.25		GSF57R17		3.4	221	388	7.5	1.35	GSA57R17	3.9	193	336			7.6		1.45	GSAF57R17	4.5	170	294		7.7	1.55		4.9	156	269	7.7			1.60		3.0	231	438		4.8	0.80		4P	46			18	28.76	2.9	1.90	GS37 GSF37 GSA37 GSAF37	4P		3.4	225	388	4.9	0.85						3.9	196	336	5.1	0.95	GS47R17								4.5			173				294	5.2	1.10	GSF47R17					5.1		115	257	5.4	1.40	GSA47R17	5.7	136	229	5.3	1.30	GSAF47R17	6.6		119	200		5.3			1.35		7.0	112		187	5.4	1.40		6.5			108	202	2.9	0.85			7.3	96	179	2.9	0.95			GS37R17	8.3	86	158	2.9	1.05	GSF37R17	9.1	78	144	2.9	1.05	GSA37R17	11	65	118	2.9	1.15	GSAF37R17	12		61	110	2.9	1.15		4P	52	16	25.38	2.9	2.00	GS37 GSF37 GSA37 GSAF37	4P	6.5				93			201.00	5.4	1.55						7.1	86			184.80	5.4	1.60				GS47	8.3	75	158.12	5.5			1.65	GSF47		9.6		65	137.05	5.5			1.80	GSA47			10		62	128.10	5.5	1.80	GSAF47			12	54	110.73	5.5	1.90			3.0	372	438	6.3			0.85		3.4	332	388	6.7	0.90			3.9	290	336	7.0			1.05	GS57R17	4.5	255	294	7.2	1.20	GSF57R17	4.9	234	269	7.3	1.30	GSA57R17	5.7	201	229	7.5	1.40	GSAF57R17	6.4	180	204	7.6	1.50		7.0	166	187	7.6	1.55																																																																																																					
1.0	713	1363	4.6	0.80			4P	37	21	35.10	2.9			1.75			GS37 GSF37 GSA37 GSAF37		4P																																																																																																																																																																																																																																																																																																																																																																																																																																																																																																																																																							
1.1	668	1194	7.8	0.85		1.3		589	1045	8.3	1.00				1.4			519		914	8.8	1.10	GS67R37		1.6		463		809	9.1		1.25		GSF67R37		1.8		410		712	9.4	1.40			GSA67R37	2.1	356				615	10	1.55	GSAF67R37		2.4		317						543	10	1.60		2.8			276	469		10	1.75		3.1	250		424		10	1.80			3.6	217	365	10	1.95		4P	43	19			30.68	2.9	1.85	GS37 GSF37 GSA37 GSAF37	4P	2.0	355		655	6.6	0.85		2.3			321	574	6.9	0.95		2.6	284		506	7.2	1.10	GS57R17	3.0				248	438	7.4	1.25	GSF57R17		3.4			221	388	7.5	1.35			GSA57R17	3.9	193					336				7.6			1.45	GSAF57R17	4.5		170			294	7.7			1.55		4.9		156	269	7.7	1.60		3.0	231	438	4.8	0.80				4P	46	18	28.76	2.9	1.90	GS37 GSF37 GSA37 GSAF37		4P	3.4	225	388	4.9	0.85				3.9	196	336	5.1	0.95		GS47R17	4.5	173		294			5.2	1.10	GSF47R17	5.1				115	257	5.4	1.40	GSA47R17				5.7	136	229	5.3	1.30	GSAF47R17	6.6	119								200			5.3				1.35		7.0	112					187		5.4	1.40		6.5	108	202	2.9	0.85		7.3	96	179		2.9	0.95		GS37R17	8.3	86	158	2.9	1.05	GSF37R17		9.1	78	144	2.9	1.05			GSA37R17	11	65	118	2.9		1.15	GSAF37R17	12	61	110			2.9	1.15		4P	52	16	25.38	2.9	2.00	GS37 GSF37 GSA37 GSAF37	4P	6.5	93	201.00	5.4	1.55		7.1	86	184.80	5.4	1.60	GS47	8.3	75	158.12		5.5	1.65	GSF47	9.6	65			137.05				5.5			1.80	GSA47	10					62	128.10	5.5			1.80	GSAF47	12	54	110.73		5.5	1.90		3.0	372			438	6.3		0.85			3.4	332			388	6.7			0.90			3.9	290	336	7.0			1.05	GS57R17	4.5	255	294		7.2	1.20	GSF57R17	4.9	234			269	7.3	1.30	GSA57R17	5.7	201	229		7.5	1.40	GSAF57R17	6.4	180			204	7.6	1.50		7.0	166	187	7.6	1.55																																																																																																																											
1.3	589	1045	8.3	1.00		1.4		519	914	8.8	1.10			GS67R37	1.6			463		809	9.1	1.25	GSF67R37		1.8		410		712	9.4		1.40		GSA67R37		2.1		356		615	10	1.55			GSAF67R37	2.4	317				543	10	1.60			2.8		276				469	10	1.75		3.1	250	424			10	1.80			3.6	217	365	10		1.95			4P		43	19	30.68	2.9	1.85	GS37 GSF37 GSA37 GSAF37	4P		2.0	355			655	6.6	0.85				2.3	321	574	6.9	0.95		2.6			284	506	7.2	1.10	GS57R17	3.0	248		438	7.4	1.25	GSF57R17	3.4				221	388	7.5	1.35	GSA57R17		3.9			193	336	7.6	1.45			GSAF57R17	4.5	170					294				7.7	1.55		4.9	156	269		7.7			1.60				3.0	231	438		4.8	0.80		4P	46	18	28.76	2.9	1.90	GS37 GSF37 GSA37 GSAF37	4P				3.4	225	388	4.9	0.85					3.9	196	336	5.1	0.95			GS47R17	4.5	173	294	5.2	1.10	GSF47R17	5.1	115		257			5.4	1.40	GSA47R17	5.7				136	229	5.3	1.30	GSAF47R17				6.6	119	200	5.3	1.35		7.0	112								187			5.4	1.40			6.5	108	202	2.9					0.85			7.3	96	179	2.9	0.95	GS37R17	8.3	86	158	2.9	1.05		GSF37R17	9.1		78	144	2.9	1.05	GSA37R17	11	65		118	2.9	1.15	GSAF37R17	12			61	110	2.9	1.15		4P	52	16	25.38	2.9	2.00			GS37 GSF37 GSA37 GSAF37	4P	6.5		93	201.00	5.4	1.55				7.1	86	184.80	5.4	1.60	GS47	8.3	75	158.12	5.5	1.65	GSF47	9.6	65	137.05		5.5	1.80	GSA47	10	62			128.10				5.5		1.80	GSAF47	12	54	110.73				5.5	1.90				3.0	372	438	6.3	0.85			3.4	332	388	6.7			0.90			3.9		290	336	7.0			1.05	GS57R17			4.5		255	294	7.2	1.20	GSF57R17			4.9	234	269	7.3	1.30		GSA57R17	5.7	201	229	7.5			1.40	GSAF57R17	6.4	180	204	7.6	1.50		7.0	166	187	7.6	1.55																																																																																																																																						
1.4	519	914	8.8	1.10	GS67R37	1.6		463	809	9.1	1.25			GSF67R37	1.8			410		712	9.4	1.40	GSA67R37		2.1		356		615	10		1.55		GSAF67R37		2.4		317		543	10	1.60				2.8	276				469	10	1.75		3.1	250	424	10				1.80		3.6	217	365	10	1.95				4P		43	19	30.68	2.9	1.85		GS37 GSF37 GSA37 GSAF37		4P		2.0	355	655	6.6	0.85					2.3	321			574	6.9	0.95				2.6	284	506	7.2	1.10	GS57R17	3.0			248	438	7.4	1.25	GSF57R17	3.4	221		388	7.5	1.35	GSA57R17	3.9				193	336	7.6	1.45	GSAF57R17		4.5			170	294	7.7	1.55				4.9	156					269	7.7	1.60			3.0	231	438	4.8	0.80					4P	46			18	28.76	2.9		1.90	GS37 GSF37 GSA37 GSAF37	4P		3.4	225	388	4.9	0.85							3.9	196	336	5.1		0.95		GS47R17	4.5	173	294	5.2	1.10			GSF47R17	5.1	115	257	5.4	1.40	GSA47R17	5.7	136		229			5.3	1.30	GSAF47R17	6.6				119	200	5.3	1.35					7.0	112	187	5.4	1.40		6.5	108							202	2.9		0.85		7.3	96		179	2.9	0.95	GS37R17					8.3		86	158	2.9	1.05	GSF37R17	9.1	78	144	2.9	1.05	GSA37R17	11		65	118		2.9	1.15	GSAF37R17	12	61	110	2.9	1.15		4P	52	16	25.38			2.9	2.00	GS37 GSF37 GSA37 GSAF37	4P	6.5		93	201.00	5.4	1.55						7.1		86	184.80	5.4	1.60	GS47			8.3	75	158.12	5.5	1.65	GSF47	9.6	65	137.05	5.5	1.80	GSA47	10	62	128.10		5.5	1.80	GSAF47	12	54			110.73				5.5	1.90		3.0	372	438	6.3	0.85				3.4	332			388	6.7	0.90		3.9		290	336	7.0	1.05	GS57R17			4.5	255		294		7.2	1.20	GSF57R17			4.9	234			269		7.3	1.30	GSA57R17	5.7	201			229	7.5	1.40	GSAF57R17	6.4	180	204	7.6	1.50		7.0			166	187	7.6	1.55																																																																																																																																															
1.6	463	809	9.1	1.25	GSF67R37	1.8		410	712	9.4	1.40			GSA67R37	2.1			356		615	10	1.55	GSAF67R37		2.4		317		543	10		1.60				2.8		276		469	10	1.75			3.1	250	424	10			1.80		3.6	217	365	10	1.95					4P	43	19	30.68	2.9	1.85	GS37 GSF37 GSA37 GSAF37			4P		2.0	355	655	6.6	0.85							2.3	321	574	6.9	0.95					2.6	284			506	7.2	1.10			GS57R17	3.0	248	438	7.4	1.25	GSF57R17	3.4			221	388	7.5	1.35	GSA57R17	3.9	193		336	7.6	1.45	GSAF57R17	4.5				170	294	7.7	1.55			4.9			156	269	7.7	1.60				3.0	231	438	4.8			0.80		4P		46	18	28.76	2.9	1.90	GS37 GSF37 GSA37 GSAF37		4P				3.4			225	388	4.9	0.85					3.9	196	336	5.1	0.95						GS47R17	4.5	173	294	5.2		1.10		GSF47R17	5.1	115	257	5.4	1.40			GSA47R17	5.7	136	229	5.3	1.30	GSAF47R17	6.6	119		200			5.3	1.35		7.0				112	187	5.4	1.40					6.5	108	202	2.9	0.85		7.3	96					179	2.9	0.95	GS37R17		8.3	86	158	2.9		1.05	GSF37R17	9.1	78					144	2.9	1.05	GSA37R17	11	65	118	2.9	1.15	GSAF37R17	12	61	110	2.9		1.15			4P	52	16	25.38	2.9	2.00	GS37 GSF37 GSA37 GSAF37	4P	6.5		93	201.00	5.4			1.55				7.1		86	184.80	5.4	1.60	GS47					8.3		75	158.12	5.5	1.65	GSF47			9.6	65	137.05	5.5	1.80	GSA47	10	62	128.10	5.5	1.80	GSAF47	12	54	110.73		5.5	1.90		3.0	372			438		6.3		0.85		3.4	332	388	6.7	0.90		3.9		290	336	7.0			1.05	GS57R17	4.5	255	294		7.2	1.20	GSF57R17	4.9	234			269	7.3		1.30		GSA57R17	5.7	201			229	7.5			1.40	GSAF57R17	6.4	180	204	7.6	1.50				7.0	166	187	7.6	1.55																																																																																																																																																										
1.8	410	712	9.4	1.40	GSA67R37	2.1		356	615	10	1.55			GSAF67R37	2.4			317		543	10	1.60			2.8		276		469	10	1.75		3.1	250		424		10		1.80		3.6		217	365	10	1.95				4P	43	19	30.68	2.9	1.85	GS37 GSF37 GSA37 GSAF37	4P			2.0		355	655	6.6	0.85							2.3	321	574	6.9	0.95							2.6	284	506	7.2	1.10	GS57R17				3.0	248			438	7.4	1.25			GSF57R17	3.4	221	388	7.5	1.35	GSA57R17	3.9			193	336	7.6	1.45	GSAF57R17	4.5	170		294	7.7	1.55		4.9				156	269	7.7	1.60			3.0			231	438	4.8	0.80		4P	46	18	28.76	2.9	1.90			GS37 GSF37 GSA37 GSAF37	4P			3.4	225	388	4.9	0.85							3.9			196	336	5.1	0.95	GS47R17				4.5	173	294	5.2	1.10						GSF47R17	5.1	115	257	5.4		1.40		GSA47R17	5.7	136	229	5.3	1.30			GSAF47R17	6.6	119	200	5.3	1.35		7.0	112		187			5.4	1.40		6.5				108	202	2.9	0.85					7.3	96	179	2.9	0.95	GS37R17	8.3	86		158		2.9	1.05	GSF37R17	9.1	78		144	2.9	1.05	GSA37R17	11	65	118	2.9	1.15					GSAF37R17	12	61	110	2.9	1.15		4P	52	16	25.38	2.9	2.00	GS37 GSF37 GSA37 GSAF37		4P	6.5			93	201.00	5.4	1.55				7.1		86	184.80	5.4			1.60	GS47			8.3		75	158.12	5.5	1.65	GSF47					9.6		65	137.05	5.5	1.80	GSA47			10	62	128.10	5.5	1.80	GSAF47	12	54	110.73	5.5	1.90		3.0	372	438		6.3	0.85		3.4	332			388	6.7	0.90			3.9	290	336	7.0	1.05	GS57R17	4.5	255	294	7.2	1.20	GSF57R17			4.9	234	269	7.3	1.30		GSA57R17	5.7	201	229	7.5			1.40	GSAF57R17	6.4	180		204	7.6	1.50				7.0			166	187	7.6	1.55																																																																																																																																																																					
2.1	356	615	10	1.55	GSAF67R37	2.4		317	543	10	1.60		2.8	276	469			10		1.75		3.1	250		424		10		1.80		3.6	217	365	10		1.95				4P	43	19	30.68	2.9	1.85	GS37 GSF37 GSA37 GSAF37	4P	2.0				355	655	6.6	0.85						2.3		321	574	6.9	0.95							2.6	284	506	7.2	1.10	GS57R17						3.0	248	438	7.4	1.25	GSF57R17				3.4	221			388	7.5	1.35			GSA57R17	3.9	193	336	7.6	1.45	GSAF57R17	4.5			170	294	7.7	1.55		4.9	156		269	7.7	1.60		3.0				231	438	4.8	0.80			4P			46	18	28.76	2.9	1.90		GS37 GSF37 GSA37 GSAF37	4P	3.4	225	388						4.9	0.85		3.9	196	336		5.1					0.95			GS47R17	4.5	173	294	5.2				1.10	GSF47R17	5.1	115	257						5.4	1.40	GSA47R17	5.7	136		229		5.3	1.30	GSAF47R17	6.6	119	200			5.3	1.35		7.0	112	187	5.4	1.40			6.5			108	202	2.9	0.85					7.3	96	179	2.9				0.95	GS37R17	8.3	86	158	2.9	1.05	GSF37R17		9.1		78	144	2.9	1.05	GSA37R17	11	65	118	2.9	1.15	GSAF37R17	12	61	110	2.9					1.15		4P	52	16	25.38	2.9		2.00	GS37 GSF37 GSA37 GSAF37	4P	6.5	93				201.00			5.4	1.55		7.1	86			184.80		5.4	1.60	GS47			8.3	75			158.12		5.5	1.65	GSF47	9.6	65					137.05		5.5	1.80	GSA47	10	62			128.10	5.5	1.80	GSAF47	12	54	110.73	5.5	1.90		3.0	372	438	6.3	0.85			3.4	332	388	6.7			0.90		3.9		290	336	7.0	1.05	GS57R17	4.5	255	294	7.2	1.20	GSF57R17	4.9	234			269	7.3	1.30	GSA57R17	5.7		201	229	7.5	1.40	GSAF57R17			6.4	180	204	7.6	1.50		7.0	166			187	7.6			1.55																																																																																																																																																																								
2.4	317	543	10	1.60		2.8		276	469	10	1.75		3.1	250	424			10		1.80		3.6	217		365		10		1.95		4P	43	19	30.68	2.9	1.85		GS37 GSF37 GSA37 GSAF37			4P	2.0	355	655	6.6			0.85					2.3	321	574	6.9					0.95			2.6	284	506	7.2						1.10	GS57R17	3.0	248	438	7.4						1.25	GSF57R17	3.4	221	388	7.5				1.35	GSA57R17			3.9	193	336			7.6	1.45	GSAF57R17	4.5	170	294	7.7	1.55		4.9	156	269	7.7	1.60		3.0	231		438	4.8	0.80		4P				46	18	28.76	2.9	1.90				GS37 GSF37 GSA37 GSAF37	4P	3.4	225	388	4.9				0.85		3.9						196	336	5.1	0.95	GS47R17	4.5		173					294			5.2	1.10	GSF47R17	5.1	115				257	5.4	1.40	GSA47R17	5.7						136	229	5.3	1.30	GSAF47R17		6.6		119	200	5.3	1.35		7.0			112	187	5.4	1.40		6.5	108	202	2.9		0.85		7.3	96	179	2.9	0.95				GS37R17	8.3	86	158	2.9			1.05	GSF37R17	9.1	78	144	2.9	1.05	GSA37R17	11		65		118	2.9	1.15	GSAF37R17	12	61	110	2.9	1.15		4P	52	16	25.38	2.9					2.00	GS37 GSF37 GSA37 GSAF37		4P	6.5	93	201.00		5.4			1.55					7.1			86	184.80	5.4	1.60	GS47			8.3		75	158.12	5.5			1.65	GSF47			9.6		65	137.05	5.5	1.80	GSA47	10	62			128.10		5.5	1.80	GSAF47	12	54			110.73	5.5	1.90		3.0	372	438	6.3	0.85		3.4	332	388	6.7	0.90			3.9	290	336	7.0			1.05	GS57R17	4.5		255	294	7.2	1.20	GSF57R17	4.9	234	269	7.3	1.30	GSA57R17	5.7	201			229	7.5	1.40	GSAF57R17	6.4	180	204	7.6	1.50		7.0			166	187	7.6	1.55																																																																																																																																																																																			
2.8	276	469	10	1.75		3.1		250	424	10	1.80		3.6	217	365			10		1.95		4P	43	19	30.68		2.9		1.85	GS37 GSF37 GSA37 GSAF37		4P	2.0	355	655	6.6						0.85		2.3	321			574				6.9	0.95		2.6	284					506		7.2	1.10	GS57R17	3.0	248						438	7.4	1.25	GSF57R17	3.4	221						388	7.5	1.35	GSA57R17	3.9	193				336	7.6	1.45	GSAF57R17	4.5	170	294			7.7	1.55		4.9	156	269	7.7	1.60		3.0	231	438	4.8	0.80		4P	46		18	28.76	2.9	1.90				GS37 GSF37 GSA37 GSAF37	4P	3.4	225	388	4.9						0.85		3.9	196				336	5.1	0.95						GS47R17	4.5	173	294	5.2	1.10		GSF47R17					5.1			115	257	5.4	1.40	GSA47R17				5.7	136	229	5.3	1.30						GSAF47R17	6.6	119	200	5.3		1.35			7.0	112	187	5.4	1.40		6.5	108	202	2.9	0.85		7.3	96	179	2.9		0.95	GS37R17	8.3	86	158	2.9	1.05			GSF37R17	9.1	78	144	2.9	1.05			GSA37R17	11	65	118	2.9	1.15	GSAF37R17	12	61		110		2.9	1.15		4P	52	16	25.38	2.9	2.00	GS37 GSF37 GSA37 GSAF37		4P	6.5	93	201.00					5.4				1.55		7.1		86			184.80	5.4				1.60			GS47	8.3	75	158.12	5.5			1.65		GSF47	9.6	65	137.05	5.5	1.80	GSA47			10		62	128.10	5.5	1.80	GSAF47	12	54			110.73		5.5	1.90		3.0	372			438	6.3	0.85		3.4	332	388	6.7	0.90		3.9	290	336	7.0	1.05		GS57R17	4.5	255	294	7.2			1.20	GSF57R17	4.9	234	269	7.3	1.30	GSA57R17	5.7	201	229	7.5	1.40	GSAF57R17	6.4	180	204			7.6	1.50		7.0	166	187	7.6	1.55																																																																																																																																																																																												
3.1	250	424	10	1.80		3.6		217	365	10	1.95		4P	43	19	30.68		2.9		1.85	GS37 GSF37 GSA37 GSAF37		4P	2.0	355		655		6.6				0.85		2.3	321						574	6.9	0.95				2.6				284	506	7.2	1.10	GS57R17					3.0		248	438	7.4	1.25	GSF57R17						3.4	221	388	7.5	1.35	GSA57R17	3.9		193			336	7.6	1.45	GSAF57R17	4.5	170				294	7.7	1.55		4.9	156	269			7.7	1.60		3.0	231	438	4.8	0.80		4P	46	18	28.76	2.9	1.90		GS37 GSF37 GSA37 GSAF37	4P	3.4	225	388	4.9						0.85		3.9	196						336	5.1	0.95	GS47R17				4.5	173	294						5.2	1.10	GSF47R17	5.1	115	257		5.4					1.40			GSA47R17	5.7	136	229	5.3				1.30	GSAF47R17	6.6	119	200			5.3	1.35			7.0	112	187	5.4		1.40			6.5	108	202	2.9	0.85		7.3	96	179	2.9	0.95	GS37R17	8.3	86	158	2.9	1.05	GSF37R17	9.1	78	144	2.9	1.05	GSA37R17			11	65	118	2.9	1.15	GSAF37R17			12	61	110	2.9	1.15		4P	52	16		25.38		2.9	2.00	GS37 GSF37 GSA37 GSAF37		4P	6.5	93	201.00	5.4				1.55		7.1					86				184.80	5.4	1.60		GS47			8.3	75		158.12		5.5	1.65		GSF47	9.6	65	137.05	5.5			1.80		GSA47	10	62	128.10	5.5	1.80	GSAF47			12		54	110.73	5.5	1.90		3.0	372			438		6.3	0.85		3.4	332			388	6.7	0.90		3.9	290	336	7.0	1.05	GS57R17	4.5	255	294	7.2	1.20	GSF57R17	4.9	234	269	7.3	1.30			GSA57R17	5.7	201	229	7.5	1.40	GSAF57R17	6.4	180	204	7.6	1.50		7.0	166	187	7.6			1.55																																																																																																																																																																																																			
3.6	217	365	10	1.95		4P	43	19	30.68	2.9	1.85	GS37 GSF37 GSA37 GSAF37		4P																																																																																																																																																																																																																																																																																																																																																																																																																																																																																																																																																												
2.0	355	655	6.6	0.85			2.3	321	574	6.9	0.95					2.6		284		506				7.2	1.10		GS57R17		3.0				248	438	7.4	1.25						GSF57R17	3.4	221	388			7.5				1.35	GSA57R17	3.9	193	336			7.6	1.45	GSAF57R17		4.5	170	294	7.7	1.55			4.9			156	269	7.7	1.60		3.0	231		438			4.8	0.80		4P	46	18			28.76	2.9	1.90	GS37 GSF37 GSA37 GSAF37	4P	3.4	225	388			4.9	0.85		3.9	196	336	5.1	0.95	GS47R17		4.5	173	294	5.2	1.10				GSF47R17	5.1	115	257						5.4	1.40	GSA47R17	5.7						136	229	5.3	1.30				GSAF47R17	6.6	119						200	5.3	1.35		7.0	112		187		5.4	1.40			6.5	108	202	2.9	0.85		7.3				96	179	2.9	0.95	GS37R17			8.3	86	158	2.9	1.05	GSF37R17	9.1	78		144		2.9	1.05	GSA37R17	11	65	118	2.9	1.15	GSAF37R17	12	61	110	2.9	1.15		4P	52	16	25.38	2.9	2.00	GS37 GSF37 GSA37 GSAF37	4P	6.5	93			201.00	5.4	1.55		7.1	86			184.80	5.4	1.60	GS47	8.3	75		158.12	5.5		1.65		GSF47	9.6				65	137.05	5.5	1.80				GSA47	10	62	128.10	5.5	1.80	GSAF47	12				54	110.73	5.5		1.90				3.0		372		438	6.3		0.85		3.4	332	388			6.7		0.90		3.9	290	336	7.0	1.05			GS57R17		4.5	255	294	7.2	1.20	GSF57R17	4.9			234	269	7.3	1.30	GSA57R17	5.7	201			229	7.5	1.40	GSAF57R17	6.4	180	204	7.6	1.50		7.0	166	187	7.6	1.55																																																																																																																																																																																																																															
2.3	321	574	6.9	0.95			2.6	284	506	7.2	1.10				GS57R17	3.0		248		438				7.4	1.25		GSF57R17		3.4				221	388	7.5	1.35						GSA57R17	3.9	193	336			7.6	1.45	GSAF57R17		4.5	170	294	7.7	1.55				4.9	156		269	7.7	1.60		3.0		231	438			4.8	0.80		4P	46	18	28.76		2.9		1.90	GS37 GSF37 GSA37 GSAF37	4P	3.4		225	388			4.9	0.85				3.9	196	336			5.1	0.95	GS47R17	4.5	173	294	5.2	1.10	GSF47R17		5.1	115	257	5.4	1.40				GSA47R17	5.7	136	229						5.3	1.30	GSAF47R17	6.6						119	200	5.3	1.35					7.0	112	187	5.4				1.40		6.5	108	202	2.9		0.85			7.3		96	179	2.9	0.95	GS37R17	8.3	86	158			2.9	1.05	GSF37R17	9.1	78	144			2.9	1.05	GSA37R17	11	65	118	2.9	1.15		GSAF37R17		12	61	110	2.9	1.15		4P	52	16	25.38	2.9	2.00	GS37 GSF37 GSA37 GSAF37	4P	6.5		93	201.00	5.4	1.55				7.1	86			184.80	5.4	1.60	GS47	8.3	75			158.12	5.5	1.65	GSF47	9.6	65		137.05	5.5	1.80	GSA47	10	62	128.10				5.5	1.80	GSAF47	12				54	110.73	5.5	1.90		3.0	372	438				6.3	0.85			3.4			332	388		6.7		0.90			3.9	290	336	7.0	1.05			GS57R17		4.5	255	294	7.2	1.20	GSF57R17	4.9			234	269	7.3	1.30	GSA57R17	5.7	201	229	7.5			1.40	GSAF57R17	6.4	180	204	7.6	1.50				7.0	166	187	7.6	1.55																																																																																																																																																																																																																																								
2.6	284	506	7.2	1.10	GS57R17		3.0	248	438	7.4	1.25				GSF57R17	3.4		221		388				7.5	1.35		GSA57R17		3.9				193	336	7.6	1.45	GSAF57R17		4.5			170	294	7.7	1.55				4.9	156		269	7.7	1.60		3.0			231	438	4.8		0.80		4P	46	18		28.76	2.9		1.90	GS37 GSF37 GSA37 GSAF37	4P	3.4		225	388	4.9		0.85					3.9		196	336			5.1	0.95	GS47R17			4.5	173	294			5.2	1.10	GSF47R17	5.1	115	257	5.4	1.40	GSA47R17		5.7	136	229	5.3	1.30				GSAF47R17	6.6	119	200						5.3	1.35		7.0	112		187			5.4	1.40		6.5				108	202	2.9	0.85					7.3	96	179	2.9	0.95	GS37R17		8.3		86	158	2.9	1.05	GSF37R17	9.1	78	144	2.9	1.05	GSA37R17			11	65	118	2.9	1.15	GSAF37R17			12	61	110	2.9	1.15		4P	52		16		25.38	2.9	2.00	GS37 GSF37 GSA37 GSAF37	4P	6.5		93	201.00	5.4	1.55				7.1		86	184.80	5.4	1.60	GS47			8.3	75			158.12	5.5	1.65	GSF47	9.6	65	137.05	5.5	1.80	GSA47	10	62	128.10	5.5		1.80	GSAF47	12	54	110.73	5.5	1.90					3.0	372	438				6.3	0.85		3.4	332	388	6.7	0.90					3.9	290		336			7.0	1.05		GS57R17		4.5	255		294	7.2	1.20	GSF57R17	4.9			234	269	7.3	1.30	GSA57R17	5.7	201	229	7.5			1.40	GSAF57R17	6.4	180	204	7.6	1.50		7.0			166	187	7.6	1.55																																																																																																																																																																																																																																																			
3.0	248	438	7.4	1.25	GSF57R17		3.4	221	388	7.5	1.35				GSA57R17	3.9		193		336				7.6	1.45	GSAF57R17	4.5	170	294				7.7	1.55		4.9	156		269			7.7	1.60		3.0			231	438	4.8		0.80		4P	46	18			28.76	2.9	1.90	GS37 GSF37 GSA37 GSAF37	4P	3.4		225	388		4.9	0.85					3.9		196	336	5.1		0.95		GS47R17			4.5		173	294			5.2	1.10	GSF47R17			5.1	115	257			5.4	1.40	GSA47R17	5.7	136	229	5.3	1.30	GSAF47R17		6.6	119	200	5.3	1.35					7.0	112	187		5.4	1.40				6.5	108	202	2.9		0.85				7.3	96	179				2.9	0.95	GS37R17	8.3	86			158	2.9	1.05	GSF37R17	9.1	78	144		2.9		1.05	GSA37R17	11	65	118	2.9	1.15	GSAF37R17	12	61	110			2.9	1.15		4P	52	16			25.38	2.9	2.00	GS37 GSF37 GSA37 GSAF37	4P	6.5		93		201.00		5.4	1.55				7.1		86	184.80	5.4	1.60	GS47			8.3		75	158.12	5.5	1.65	GSF47			9.6	65	137.05	5.5	1.80	GSA47	10	62	128.10	5.5	1.80	GSAF47	12	54	110.73	5.5	1.90			3.0	372	438	6.3	0.85		3.4				332	388	6.7	0.90					3.9	290	336	7.0	1.05	GS57R17	4.5				255	294	7.2		1.20			GSF57R17	4.9		234		269	7.3	1.30	GSA57R17	5.7	201	229	7.5			1.40	GSAF57R17	6.4	180	204	7.6	1.50		7.0			166	187	7.6	1.55																																																																																																																																																																																																																																																														
3.4	221	388	7.5	1.35	GSA57R17		3.9	193	336	7.6	1.45				GSAF57R17	4.5	170	294	7.7	1.55					4.9	156	269	7.7	1.60					3.0	231	438	4.8		0.80				4P	46	18			28.76	2.9	1.90	GS37 GSF37 GSA37 GSAF37	4P	3.4		225	388			4.9	0.85				3.9		196	336		5.1	0.95		GS47R17			4.5		173	294	5.2		1.10		GSF47R17			5.1		115	257			5.4	1.40	GSA47R17			5.7	136	229			5.3	1.30	GSAF47R17	6.6	119	200	5.3	1.35			7.0	112	187	5.4	1.40					6.5	108	202		2.9	0.85				7.3	96	179	2.9		0.95			GS37R17	8.3	86	158	2.9			1.05	GSF37R17	9.1	78	144			2.9	1.05	GSA37R17	11	65	118	2.9		1.15		GSAF37R17	12	61	110	2.9	1.15		4P	52	16	25.38			2.9	2.00	GS37 GSF37 GSA37 GSAF37		4P	6.5			93	201.00	5.4			1.55				7.1		86	184.80	5.4			1.60		GS47	8.3	75	158.12	5.5			1.65		GSF47	9.6	65	137.05	5.5			1.80	GSA47	10	62	128.10	5.5	1.80	GSAF47	12	54	110.73	5.5	1.90		3.0	372	438	6.3		0.85		3.4	332	388	6.7	0.90					3.9	290	336				7.0	1.05	GS57R17	4.5	255	294	7.2	1.20				GSF57R17	4.9	234	269	7.3			1.30	GSA57R17		5.7		201	229	7.5	1.40	GSAF57R17	6.4	180	204			7.6	1.50		7.0	166	187	7.6	1.55																																																																																																																																																																																																																																																																					
3.9	193	336	7.6	1.45	GSAF57R17		4.5	170	294	7.7	1.55					4.9	156	269	7.7	1.60					3.0	231	438	4.8	0.80					4P	46	18	28.76		2.9	1.90		GS37 GSF37 GSA37 GSAF37		4P	3.4			225	388	4.9			0.85			3.9			196	336	5.1			0.95		GS47R17	4.5		173	294		5.2			1.10		GSF47R17	5.1	115		257		5.4			1.40		GSA47R17	5.7			136	229	5.3			1.30	GSAF47R17	6.6	119	200	5.3	1.35		7.0	112	187	5.4	1.40			6.5	108	202	2.9	0.85					7.3	96	179		2.9	0.95			GS37R17	8.3	86	158	2.9	1.05	GSF37R17			9.1	78	144	2.9	1.05			GSA37R17	11	65	118	2.9			1.15	GSAF37R17	12	61	110	2.9	1.15				4P	52	16	25.38	2.9	2.00	GS37 GSF37 GSA37 GSAF37		4P	6.5	93			201.00	5.4				1.55				7.1	86			184.80		5.4	1.60	GS47	8.3	75	158.12	5.5			1.65		GSF47	9.6	65	137.05	5.5			1.80		GSA47	10	62	128.10	5.5			1.80	GSAF47	12	54	110.73	5.5	1.90		3.0	372	438	6.3	0.85		3.4	332	388	6.7		0.90		3.9	290	336	7.0	1.05				GS57R17	4.5	255	294				7.2	1.20	GSF57R17	4.9	234	269	7.3	1.30		GSA57R17		5.7	201	229	7.5	1.40			GSAF57R17	6.4		180		204	7.6	1.50		7.0	166	187	7.6			1.55																																																																																																																																																																																																																																																																												
4.5	170	294	7.7	1.55			4.9	156	269	7.7	1.60					3.0	231	438	4.8	0.80					4P	46	18	28.76	2.9		1.90		GS37 GSF37 GSA37 GSAF37		4P	3.4	225		388	4.9					0.85				3.9	196			336		5.1	0.95			GS47R17	4.5	173			294		5.2	1.10		GSF47R17	5.1		115			257		5.4	1.40	GSA47R17		5.7		136			229		5.3	1.30	GSAF47R17	6.6	119	200	5.3			1.35		7.0	112	187	5.4	1.40		6.5	108	202	2.9	0.85			7.3	96	179	2.9	0.95				GS37R17	8.3	86	158	2.9	1.05	GSF37R17			9.1	78	144	2.9	1.05	GSA37R17	11			65	118	2.9	1.15	GSAF37R17			12	61	110	2.9	1.15				4P	52	16	25.38	2.9	2.00		GS37 GSF37 GSA37 GSAF37			4P	6.5	93	201.00	5.4				1.55				7.1	86				184.80	5.4	1.60	GS47	8.3	75			158.12		5.5	1.65	GSF47	9.6	65	137.05	5.5			1.80		GSA47	10	62	128.10	5.5			1.80		GSAF47	12	54	110.73	5.5			1.90		3.0	372	438	6.3	0.85		3.4	332	388	6.7	0.90		3.9	290	336	7.0		1.05	GS57R17	4.5	255	294	7.2	1.20				GSF57R17	4.9	234	269		7.3		1.30	GSA57R17	5.7	201	229	7.5	1.40	GSAF57R17		6.4		180	204	7.6	1.50				7.0	166		187		7.6	1.55																																																																																																																																																																																																																																																																																					
4.9	156	269	7.7	1.60			3.0	231	438	4.8	0.80					4P	46	18	28.76	2.9		1.90		GS37 GSF37 GSA37 GSAF37		4P	3.4	225	388		4.9					0.85			3.9	196					336			5.1	0.95	GS47R17			4.5		173	294			5.2	1.10	GSF47R17			5.1		115	257		5.4	1.40		GSA47R17			5.7		136	229	5.3	1.30	GSAF47R17	6.6	119			200		5.3	1.35		7.0	112	187	5.4			1.40		6.5	108	202	2.9	0.85		7.3	96	179	2.9	0.95	GS37R17		8.3	86	158	2.9	1.05	GSF37R17			9.1	78	144	2.9	1.05	GSA37R17	11			65	118	2.9	1.15	GSAF37R17	12	61			110	2.9	1.15		4P			52	16	25.38	2.9	2.00			GS37 GSF37 GSA37 GSAF37		4P	6.5	93	201.00	5.4						1.55		7.1	86				184.80	5.4	1.60	GS47	8.3	75				158.12	5.5	1.65	GSF47	9.6	65			137.05		5.5	1.80	GSA47	10	62	128.10	5.5			1.80		GSAF47	12	54	110.73	5.5			1.90			3.0	372	438	6.3			0.85		3.4	332	388	6.7	0.90		3.9	290	336	7.0	1.05	GS57R17	4.5	255	294	7.2		1.20	GSF57R17	4.9	234	269	7.3	1.30		GSA57R17		5.7	201	229	7.5		1.40		GSAF57R17	6.4	180	204	7.6	1.50		7.0		166		187	7.6	1.55																																																																																																																																																																																																																																																																																																
3.0	231	438	4.8	0.80			4P	46	18	28.76	2.9		1.90		GS37 GSF37 GSA37 GSAF37		4P																																																																																																																																																																																																																																																																																																																																																																																																																																																																																																																																																									
3.4	225	388	4.9	0.85		3.9		196	336	5.1	0.95		GS47R17					4.5	173	294		5.2					1.10	GSF47R17	5.1		115					257	5.4		1.40	GSA47R17					5.7			136	229	5.3			1.30		GSAF47R17	6.6	119	200	5.3	1.35				7.0		112	187	5.4	1.40		6.5	108			202		2.9	0.85		7.3	96	179	2.9			0.95		GS37R17	8.3	86	158	2.9	1.05	GSF37R17			9.1	78	144	2.9	1.05	GSA37R17	11	65	118	2.9	1.15	GSAF37R17	12	61	110	2.9	1.15		4P	52	16			25.38	2.9	2.00	GS37 GSF37 GSA37 GSAF37	4P	6.5	93			201.00	5.4	1.55		7.1	86	184.80			5.4	1.60	GS47	8.3				75	158.12	5.5	1.65	GSF47	9.6	65				137.05	5.5	1.80	GSA47	10		62			128.10	5.5	1.80	GSAF47				12	54	110.73	5.5	1.90					3.0	372	438	6.3	0.85				3.4		332	388	6.7	0.90		3.9	290			336		7.0	1.05	GS57R17	4.5	255			294		7.2	1.20	GSF57R17	4.9	234			269	7.3	1.30	GSA57R17	5.7	201	229	7.5	1.40	GSAF57R17	6.4	180	204	7.6	1.50		7.0	166	187	7.6	1.55																																																																																																																																																																																																																																																																																																																													
3.9	196	336	5.1	0.95	GS47R17	4.5		173	294	5.2	1.10		GSF47R17					5.1	115	257		5.4					1.40	GSA47R17	5.7		136					229	5.3		1.30	GSAF47R17					6.6	119	200	5.3	1.35				7.0		112	187	5.4	1.40		6.5	108			202		2.9	0.85		7.3	96	179	2.9			0.95		GS37R17	8.3	86	158	2.9	1.05	GSF37R17			9.1	78	144	2.9	1.05	GSA37R17	11	65	118			2.9	1.15	GSAF37R17	12	61	110	2.9	1.15		4P	52	16	25.38	2.9	2.00	GS37 GSF37 GSA37 GSAF37	4P	6.5		93	201.00			5.4	1.55				7.1	86			184.80	5.4	1.60	GS47	8.3	75	158.12			5.5	1.65	GSF47	9.6		65	137.05	5.5	1.80	GSA47	10	62	128.10	5.5				1.80	GSAF47	12	54	110.73		5.5			1.90		3.0	372				438	6.3	0.85		3.4	332				388	6.7	0.90		3.9	290			336		7.0	1.05	GS57R17	4.5	255	294	7.2			1.20		GSF57R17	4.9	234	269	7.3			1.30	GSA57R17	5.7	201	229	7.5	1.40			GSAF57R17	6.4	180	204	7.6	1.50		7.0	166	187	7.6	1.55																																																																																																																																																																																																																																																																																																																																						
4.5	173	294	5.2	1.10	GSF47R17	5.1		115	257	5.4	1.40		GSA47R17					5.7	136	229		5.3					1.30	GSAF47R17	6.6		119					200	5.3	1.35		7.0	112				187	5.4	1.40		6.5	108			202		2.9	0.85		7.3	96	179	2.9			0.95		GS37R17	8.3	86	158	2.9	1.05	GSF37R17			9.1	78	144	2.9	1.05	GSA37R17	11	65	118			2.9	1.15	GSAF37R17	12	61	110	2.9	1.15				4P	52	16	25.38	2.9	2.00	GS37 GSF37 GSA37 GSAF37	4P	6.5		93	201.00	5.4	1.55				7.1		86	184.80			5.4	1.60	GS47			8.3	75			158.12	5.5	1.65	GSF47	9.6	65	137.05	5.5	1.80	GSA47	10	62	128.10		5.5	1.80	GSAF47	12	54	110.73	5.5	1.90					3.0	372	438	6.3	0.85					3.4	332	388	6.7				0.90		3.9	290	336	7.0				1.05	GS57R17	4.5	255	294	7.2			1.20		GSF57R17	4.9	234	269	7.3	1.30	GSA57R17			5.7	201	229	7.5	1.40	GSAF57R17	6.4			180	204	7.6	1.50		7.0	166			187	7.6	1.55																																																																																																																																																																																																																																																																																																																																															
5.1	115	257	5.4	1.40	GSA47R17	5.7		136	229	5.3	1.30		GSAF47R17					6.6	119	200		5.3					1.35		7.0	112	187	5.4				1.40		6.5	108	202	2.9				0.85		7.3	96	179	2.9			0.95		GS37R17	8.3	86	158	2.9	1.05	GSF37R17			9.1	78	144	2.9	1.05	GSA37R17	11	65	118			2.9	1.15	GSAF37R17	12	61	110	2.9	1.15				4P	52	16	25.38	2.9	2.00	GS37 GSF37 GSA37 GSAF37	4P	6.5				93	201.00	5.4	1.55				7.1		86	184.80	5.4	1.60	GS47			8.3		75	158.12			5.5	1.65	GSF47			9.6	65	137.05	5.5	1.80	GSA47	10	62	128.10	5.5	1.80	GSAF47	12	54	110.73	5.5	1.90			3.0	372	438	6.3	0.85		3.4	332				388	6.7	0.90		3.9		290			336	7.0	1.05	GS57R17				4.5	255	294	7.2	1.20	GSF57R17				4.9	234	269	7.3	1.30	GSA57R17			5.7	201	229	7.5	1.40	GSAF57R17	6.4	180	204			7.6	1.50		7.0	166	187	7.6			1.55																																																																																																																																																																																																																																																																																																																																																										
5.7	136	229	5.3	1.30	GSAF47R17	6.6		119	200	5.3	1.35							7.0	112	187	5.4	1.40					6.5	108	202	2.9	0.85					7.3	96	179	2.9	0.95	GS37R17				8.3	86	158	2.9	1.05	GSF37R17			9.1	78	144	2.9	1.05	GSA37R17	11	65	118			2.9	1.15	GSAF37R17	12	61	110	2.9	1.15				4P	52	16	25.38	2.9	2.00	GS37 GSF37 GSA37 GSAF37	4P	6.5				93	201.00	5.4	1.55				7.1				86	184.80	5.4	1.60	GS47			8.3		75	158.12	5.5	1.65	GSF47			9.6		65	137.05	5.5	1.80	GSA47	10	62			128.10	5.5	1.80	GSAF47	12	54	110.73	5.5	1.90		3.0	372	438	6.3	0.85		3.4		332	388	6.7	0.90		3.9	290	336	7.0				1.05	GS57R17	4.5	255	294		7.2			1.20	GSF57R17	4.9	234				269	7.3	1.30	GSA57R17	5.7	201		229		7.5	1.40	GSAF57R17	6.4	180	204			7.6	1.50		7.0	166	187	7.6	1.55																																																																																																																																																																																																																																																																																																																																																																							
6.6	119	200	5.3	1.35		7.0		112	187	5.4	1.40		6.5	108				202	2.9	0.85		7.3	96				179	2.9	0.95	GS37R17	8.3	86				158	2.9	1.05	GSF37R17	9.1	78		144		2.9	1.05	GSA37R17	11	65	118			2.9	1.15	GSAF37R17	12	61	110	2.9	1.15				4P	52	16	25.38	2.9	2.00	GS37 GSF37 GSA37 GSAF37	4P	6.5				93	201.00	5.4	1.55				7.1				86	184.80	5.4	1.60	GS47			8.3				75	158.12	5.5	1.65	GSF47			9.6		65	137.05	5.5	1.80	GSA47			10		62	128.10	5.5	1.80	GSAF47	12	54			110.73	5.5	1.90		3.0	372	438	6.3	0.85		3.4	332	388	6.7	0.90		3.9		290	336	7.0	1.05	GS57R17	4.5	255	294	7.2				1.20	GSF57R17	4.9	234	269		7.3			1.30	GSA57R17	5.7	201		229		7.5	1.40	GSAF57R17	6.4	180	204		7.6		1.50		7.0	166	187	7.6			1.55																																																																																																																																																																																																																																																																																																																																																																														
7.0	112	187	5.4	1.40		6.5		108	202	2.9	0.85		7.3	96				179	2.9	0.95	GS37R17	8.3	86				158	2.9	1.05	GSF37R17	9.1	78		144		2.9	1.05	GSA37R17	11	65	118		2.9		1.15	GSAF37R17	12	61	110	2.9			1.15		4P	52	16	25.38	2.9	2.00	GS37 GSF37 GSA37 GSAF37				4P	6.5	93	201.00	5.4			1.55					7.1	86	184.80	5.4			1.60				GS47	8.3	75	158.12	5.5			1.65	GSF47	9.6		65	137.05	5.5	1.80	GSA47			10		62	128.10	5.5	1.80	GSAF47			12		54	110.73	5.5	1.90		3.0	372			438	6.3	0.85		3.4	332	388	6.7	0.90		3.9	290	336	7.0	1.05	GS57R17	4.5		255	294	7.2	1.20	GSF57R17	4.9	234	269	7.3				1.30	GSA57R17	5.7	201	229		7.5	1.40		GSAF57R17	6.4	180	204		7.6		1.50		7.0	166	187	7.6		1.55																																																																																																																																																																																																																																																																																																																																																																																								
6.5	108	202	2.9	0.85		7.3		96	179	2.9	0.95	GS37R17	8.3	86				158	2.9	1.05	GSF37R17	9.1	78		144		2.9	1.05	GSA37R17	11	65	118		2.9		1.15	GSAF37R17	12	61	110	2.9		1.15			4P	52	16	25.38	2.9			2.00	GS37 GSF37 GSA37 GSAF37		4P	6.5	93	201.00	5.4						1.55		7.1	86			184.80				5.4	1.60	GS47	8.3	75			158.12	5.5	1.65		GSF47	9.6	65	137.05	5.5			1.80	GSA47	10		62	128.10	5.5	1.80	GSAF47			12		54	110.73	5.5	1.90				3.0		372	438	6.3	0.85		3.4	332			388	6.7	0.90		3.9	290	336	7.0	1.05	GS57R17	4.5	255	294	7.2	1.20	GSF57R17	4.9		234	269	7.3	1.30	GSA57R17	5.7	201	229	7.5		1.40		GSAF57R17	6.4	180	204	7.6		1.50			7.0	166	187	7.6		1.55																																																																																																																																																																																																																																																																																																																																																																																																	
7.3	96	179	2.9	0.95	GS37R17	8.3		86	158	2.9	1.05	GSF37R17	9.1	78		144		2.9	1.05	GSA37R17	11	65	118		2.9		1.15	GSAF37R17	12	61	110	2.9		1.15			4P	52	16	25.38	2.9		2.00		GS37 GSF37 GSA37 GSAF37		4P	6.5	93	201.00			5.4				1.55		7.1	86						184.80	5.4	1.60	GS47			8.3	75	158.12		5.5	1.65	GSF47	9.6	65			137.05	5.5	1.80		GSA47	10	62	128.10	5.5			1.80	GSAF47	12		54	110.73	5.5	1.90				3.0		372	438	6.3	0.85				3.4		332	388	6.7	0.90		3.9	290			336	7.0	1.05	GS57R17	4.5	255	294	7.2	1.20	GSF57R17	4.9	234	269	7.3	1.30	GSA57R17	5.7	201	229	7.5	1.40	GSAF57R17	6.4	180	204	7.6	1.50				7.0	166	187	7.6	1.55																																																																																																																																																																																																																																																																																																																																																																																																											
8.3	86	158	2.9	1.05	GSF37R17	9.1	78	144	2.9	1.05	GSA37R17	11	65	118		2.9		1.15	GSAF37R17	12	61	110	2.9		1.15			4P	52	16	25.38	2.9		2.00		GS37 GSF37 GSA37 GSAF37		4P	6.5	93	201.00		5.4					1.55		7.1			86				184.80	5.4	1.60	GS47		8.3	75			158.12	5.5	1.65	GSF47			9.6	65	137.05		5.5	1.80	GSA47	10	62			128.10	5.5	1.80		GSAF47	12	54	110.73	5.5			1.90		3.0		372	438	6.3	0.85				3.4		332	388	6.7	0.90				3.9		290	336	7.0	1.05	GS57R17	4.5	255			294	7.2	1.20	GSF57R17	4.9	234	269	7.3	1.30	GSA57R17	5.7	201	229	7.5	1.40	GSAF57R17	6.4	180	204	7.6	1.50		7.0	166	187	7.6	1.55																																																																																																																																																																																																																																																																																																																																																																																																																			
9.1	78	144	2.9	1.05	GSA37R17	11	65	118	2.9	1.15	GSAF37R17	12	61	110		2.9		1.15		4P	52	16	25.38		2.9		2.00		GS37 GSF37 GSA37 GSAF37	4P	6.5	93		201.00					5.4	1.55			7.1					86	184.80	5.4	1.60	GS47	8.3				75	158.12	5.5	1.65		GSF47	9.6			65	137.05	5.5	1.80			GSA47	10	62		128.10	5.5	1.80	GSAF47	12			54	110.73	5.5		1.90		3.0	372	438			6.3	0.85			3.4	332	388	6.7	0.90					3.9	290	336	7.0	1.05			GS57R17	4.5	255	294	7.2	1.20	GSF57R17	4.9	234			269	7.3	1.30	GSA57R17	5.7	201	229	7.5	1.40	GSAF57R17	6.4	180	204	7.6	1.50		7.0	166	187	7.6	1.55																																																																																																																																																																																																																																																																																																																																																																																																																									
11	65	118	2.9	1.15	GSAF37R17	12	61	110	2.9	1.15		4P	52	16		25.38		2.9	2.00		GS37 GSF37 GSA37 GSAF37	4P	6.5		93		201.00				5.4	1.55							7.1	86	184.80	5.4	1.60	GS47				8.3	75	158.12	5.5	1.65	GSF47				9.6	65	137.05	5.5		1.80	GSA47			10	62	128.10	5.5			1.80	GSAF47	12		54	110.73	5.5	1.90				3.0	372	438		6.3	0.85		3.4	332			388	6.7	0.90			3.9	290	336	7.0			1.05	GS57R17	4.5	255	294	7.2	1.20			GSF57R17	4.9	234	269	7.3	1.30	GSA57R17	5.7	201			229	7.5	1.40	GSAF57R17	6.4	180	204	7.6	1.50		7.0	166	187	7.6	1.55																																																																																																																																																																																																																																																																																																																																																																																																																															
12	61	110	2.9	1.15		4P	52	16	25.38	2.9	2.00		GS37 GSF37 GSA37 GSAF37	4P																																																																																																																																																																																																																																																																																																																																																																																																																																																																																																																																																												
6.5	93	201.00	5.4	1.55			7.1	86	184.80	5.4	1.60					GS47		8.3	75				158.12	5.5	1.65	GSF47	9.6				65	137.05	5.5	1.80	GSA47				10	62	128.10	5.5	1.80	GSAF47				12	54	110.73	5.5	1.90					3.0	372	438	6.3		0.85				3.4	332	388	6.7			0.90		3.9		290	336	7.0	1.05	GS57R17			4.5	255	294	7.2	1.20	GSF57R17	4.9	234	269			7.3	1.30	GSA57R17	5.7	201	229	7.5	1.40	GSAF57R17			6.4	180	204	7.6	1.50		7.0			166	187	7.6	1.55																																																																																																																																																																																																																																																																																																																																																																																																																																																					
7.1	86	184.80	5.4	1.60	GS47		8.3	75	158.12	5.5	1.65				GSF47	9.6	65	137.05	5.5				1.80	GSA47	10	62	128.10				5.5	1.80	GSAF47	12	54				110.73	5.5	1.90		3.0	372				438	6.3	0.85		3.4	332				388	6.7	0.90			3.9	290			336	7.0	1.05	GS57R17			4.5	255	294	7.2	1.20	GSF57R17	4.9	234	269			7.3	1.30	GSA57R17	5.7	201	229	7.5	1.40	GSAF57R17			6.4	180	204	7.6	1.50		7.0	166	187			7.6	1.55																																																																																																																																																																																																																																																																																																																																																																																																																																																																
8.3	75	158.12	5.5	1.65	GSF47		9.6	65	137.05	5.5	1.80				GSA47	10	62	128.10	5.5				1.80	GSAF47	12	54	110.73				5.5	1.90		3.0	372				438	6.3	0.85		3.4	332				388	6.7	0.90		3.9	290				336	7.0	1.05	GS57R17		4.5	255	294		7.2	1.20	GSF57R17	4.9			234	269	7.3	1.30	GSA57R17	5.7	201	229	7.5			1.40	GSAF57R17	6.4	180	204	7.6	1.50		7.0			166	187	7.6	1.55																																																																																																																																																																																																																																																																																																																																																																																																																																																																									
9.6	65	137.05	5.5	1.80	GSA47		10	62	128.10	5.5	1.80				GSAF47	12	54	110.73	5.5				1.90		3.0	372	438				6.3	0.85		3.4	332				388	6.7	0.90		3.9	290				336	7.0	1.05	GS57R17	4.5	255		294		7.2	1.20	GSF57R17	4.9		234	269	7.3		1.30	GSA57R17	5.7	201			229	7.5	1.40	GSAF57R17	6.4	180	204	7.6	1.50				7.0	166	187	7.6	1.55																																																																																																																																																																																																																																																																																																																																																																																																																																																																																		
10	62	128.10	5.5	1.80	GSAF47		12	54	110.73	5.5	1.90					3.0	372	438	6.3				0.85		3.4	332	388				6.7	0.90		3.9	290				336	7.0	1.05	GS57R17	4.5	255		294		7.2	1.20	GSF57R17	4.9	234	269		7.3		1.30	GSA57R17	5.7	201		229	7.5	1.40		GSAF57R17	6.4	180	204			7.6	1.50		7.0	166	187	7.6	1.55																																																																																																																																																																																																																																																																																																																																																																																																																																																																																											
12	54	110.73	5.5	1.90			3.0	372	438	6.3	0.85					3.4	332	388	6.7				0.90		3.9	290	336				7.0	1.05	GS57R17	4.5	255		294		7.2	1.20	GSF57R17	4.9	234	269		7.3		1.30	GSA57R17	5.7	201	229	7.5		1.40		GSAF57R17	6.4	180	204		7.6	1.50			7.0	166	187	7.6			1.55																																																																																																																																																																																																																																																																																																																																																																																																																																																																																																		
3.0	372	438	6.3	0.85			3.4	332	388	6.7	0.90					3.9	290	336	7.0				1.05	GS57R17	4.5	255	294	7.2			1.20	GSF57R17	4.9	234	269		7.3		1.30	GSA57R17	5.7	201	229	7.5		1.40		GSAF57R17	6.4	180	204	7.6	1.50				7.0	166	187	7.6		1.55																																																																																																																																																																																																																																																																																																																																																																																																																																																																																																												
3.4	332	388	6.7	0.90			3.9	290	336	7.0	1.05				GS57R17	4.5	255	294	7.2	1.20			GSF57R17	4.9	234	269	7.3	1.30			GSA57R17	5.7	201	229	7.5		1.40		GSAF57R17	6.4	180	204	7.6	1.50				7.0	166	187	7.6	1.55																																																																																																																																																																																																																																																																																																																																																																																																																																																																																																																						
3.9	290	336	7.0	1.05	GS57R17		4.5	255	294	7.2	1.20	GSF57R17			4.9	234	269	7.3	1.30	GSA57R17			5.7	201	229	7.5	1.40	GSAF57R17			6.4	180	204	7.6	1.50				7.0	166	187	7.6	1.55																																																																																																																																																																																																																																																																																																																																																																																																																																																																																																																															
4.5	255	294	7.2	1.20	GSF57R17	4.9	234	269	7.3	1.30	GSA57R17	5.7			201	229	7.5	1.40	GSAF57R17	6.4			180	204	7.6	1.50		7.0			166	187	7.6	1.55																																																																																																																																																																																																																																																																																																																																																																																																																																																																																																																																								
4.9	234	269	7.3	1.30	GSA57R17	5.7	201	229	7.5	1.40	GSAF57R17	6.4			180	204	7.6	1.50		7.0			166	187	7.6	1.55																																																																																																																																																																																																																																																																																																																																																																																																																																																																																																																																																
5.7	201	229	7.5	1.40	GSAF57R17	6.4	180	204	7.6	1.50		7.0			166	187	7.6	1.55																																																																																																																																																																																																																																																																																																																																																																																																																																																																																																																																																								
6.4	180	204	7.6	1.50		7.0	166	187	7.6	1.55																																																																																																																																																																																																																																																																																																																																																																																																																																																																																																																																																																
7.0	166	187	7.6	1.55																																																																																																																																																																																																																																																																																																																																																																																																																																																																																																																																																																						

选型参数表
(恒功率)

Selection Table
(Constant Power)

n_a [r/min]	Ma [Nm]	i	F_{ra} [kN]	f_B	机型号 Type size	极数 Pole	n_a [r/min]	Ma [Nm]	i	F_{ra} [kN]	f_B	机型号 Type size	极数 Pole
0.18kW							0.25kW						
4.5	231	294	4.7	0.80			0.20	7766	6557	40	0.85	GS100R77	4P
5.1	173	257	5.1	1.10			0.23	6832	5769	40	0.95	GSF100R77	
5.7	204	229	4.9	0.95	GS47R17		0.27	5873	4958	40	1.10	GSA100R77	
6.6	179	200	5.1	1.05	GSF47R17	4P	0.31	5126	4328	40	1.25	GSAF100R77	
7.0	168	187	5.1	1.10	GSA47R17		0.46	2405	2905	23	0.85		
7.9	149	165	5.2	1.20	GSAF47R17		0.51	2141	2586	26	1.00	GS87R57	4P
8.9	134	148	5.3	1.25			0.57	1956	2335	27	1.10	GSF87R57	
10	120	131	5.3	1.35			0.65	1741	2054	27	1.30	GSA87R57	
					GS67		0.73	1565	1824	27	1.45	GSAF87R57	
					GSF67	6P	0.82	1417	1631	28	1.60		
3.9	247	217.41	10	1.80	GSA67		1.4	848	930	28	2.05		
4.5	219	190.11	10	1.90	GSAF67		1.4	1148	954	11	1.00		
4.7	208	180.60	10	1.95			1.6	1013	837	13	1.15	GS77R37	4P
4.2	229	201.00	7.3	1.35	GS57		1.9	864	714	14	1.35	GSF77R37	
4.6	210	184.80	7.4	1.40	GSF57	6P	2.1	776	637	14	1.55	GSA77R37	
5.4	180	158.12	7.5	1.50	GSA57		2.3	704	574	14	1.60	GSAF77R37	
6.2	160	137.05	7.6	1.55	GSAF57		2.7	616	499	15	1.70		
6.5	144	201.00	7.6	1.65	GS57		2.4	660	543	7.0	0.90		
7.1	136	184.80	7.6	1.70	GSF57	4P	2.8	574	469	8.1	1.00	GS67R37	4P
8.3	116	158.12	7.7	1.80	GSA57		3.1	521	424	8.5	1.10	GSF67R37	
9.6	102	137.05	7.8	1.90	GSAF57		3.6	451	365	8.9	1.30	GSA67R37	
4.2	212	201.00	4.8	0.85	GS47		4.2	397	319	9.3	1.40	GSAF67R37	
4.6	195	184.80	4.9	0.90	GSF47	6P	4.7	354	281	9.5	1.50		
5.4	175	158.12	5.1	1.00	GSA47		4.5	355	294	6.4	0.85		
6.2	152	137.05	5.1	1.10	GSAF47		4.9	326	269	6.6	0.95	GS57R17	4P
6.6	146	128.10	5.2	1.20			5.8	279	229	7.0	1.10	GSF57R17	
6.5	140	201.00	5.2	1.20			6.5	250	204	7.2	1.20	GSA57R17	
7.1	128	184.80	5.2	1.30			7.1	230	187	7.3	1.30	GSAF57R17	
8.3	113	158.12	5.3	1.35			8.1	206	165	7.4	1.40		
9.6	98	137.05	5.3	1.45	GS47		10	166	131	7.6	1.50		
10	93	128.10	5.4	1.50	GSF47	4P	2.9	432	217.41	8.9	1.20	GS67	8P
12	82	110.73	5.4	1.55	GSA47		3.4	390	190.11	9.2	1.35	GSF67	
14	70	94.08	5.5	1.65	GSAF47		3.5	370	180.60	9.3	1.45	GSA67	
16	64	84.00	5.5	1.75			4.0	329	158.45	9.5	1.55	GSAF67	
18	55	71.75	5.5	1.85			3.9	343	217.41	9.4	1.50	GS67	
19	66	69.39	5.5	1.70			4.5	304	190.11	10	1.60	GSF67	
8.3	108	157.43	2.8	0.85			4.7	289	180.60	10	1.65	GSA67	
9.1	99	144.40	2.8	0.90			5.4	257	158.45	10	1.75	GSAF67	
11	87	122.94	2.8	1.00			6.1	221	217.41	10	1.85		
12	75	106.00	2.8	1.05			7.0	196	190.11	10	1.95	GS67	4P
13	71	98.80	2.8	1.05			7.4	186	180.60	10	2.00	GSF67	
15	62	86.36	2.8	1.15			8.4	166	158.45	10	2.10	GSA67	
16	59	80.96	2.8	1.15			10	143	134.40	10	2.20	GSAF67	
18	53	71.44	2.8	1.20			11	131	121.33	10	2.30		
21	47	63.33	2.8	1.25			12	117	106.75	10	2.40		
23	49	55.93	2.8	1.20			4.2	318	201.00	6.7	0.95	GS57	6P
26	46	51.30	2.8	1.25	GS37		4.6	292	184.80	6.9	1.00	GSF57	
30	39	43.68	2.8	1.35	GSF37		5.4	250	158.12	7.1	1.20	GSA57	
35	34	37.66	2.8	1.40	GSA37	4P	6.2	222	137.05	7.3	1.35	GSAF57	
37	32	35.10	2.8	1.45	GSAF37		6.6	208	128.10	7.4	1.35		
43	28	30.68	2.8	1.50			6.6	200	201.00	7.3	1.40		
46	26	28.76	2.8	1.55			7.2	189	184.80	7.4	1.45		
52	23	25.38	2.8	1.60			8.4	161	158.12	7.5	1.55	GS57	4P
58	21	22.50	2.8	1.70			9.7	142	137.05	7.6	1.60	GSF57	
68	18	19.13	2.8	1.80			10	134	128.10	7.6	1.65	GSA57	
69	19	18.85	2.8	1.75			12	118	110.73	7.7	1.75	GSAF57	
79	17	16.48	2.7	1.80			14	102	94.08	7.8	1.85		
85	16	15.45	2.6	1.85			16	92	84.00	7.8	1.95		
96	14	13.63	2.5	1.95			19	80	71.75	7.8	2.00		
108	13	12.08	2.5	2.00									
128	11	10.27	2.4	2.15									

选型参数表
(恒功率)

Selection Table
(Constant Power)

n_a [r/min]	M_a [Nm]	i	F_{ra} [kN]	f_B	机型号 Type size	极数 Pole	n_a [r/min]	M_a [Nm]	i	F_{ra} [kN]	f_B	机型号 Type size	极数 Pole
0.25kW							0.37kW						
6.6	194	201.00	4.9	0.80			1.9	1279	714	11	1.00		
7.2	178	184.80	4.9	0.85			2.1	1149	637	12	1.15	GS77R37	4P
8.4	157	158.12	5.1	1.00			2.3	1042	574	13	1.25	GSF77R37	
9.7	136	137.05	5.2	1.10			2.7	912	499	14	1.35	GSA77R37	
10	129	128.10	5.2	1.20			3.0	805	438	14	1.50	GSAF77R37	
12	113	110.73	5.3	1.35			3.4	715	389	15	1.60		
14	98	94.08	5.3	1.40			3.6	668	365	7.3	0.85	GS67R37	4P
16	89	84.00	5.4	1.45	GS47	4P	4.2	588	319	8.1	1.00	GSF67R37	
19	77	71.75	5.4	1.55	GSF47		4.7	523	281	8.6	1.10	GSA67R37	
19	92	69.39	5.4	1.40	GSA47		5.4	461	246	9.0	1.25	GSAF67R37	
20	73	67.20	5.5	1.60	GSAF47							GS87	
21	84	63.80	5.4	1.45				2.3	843	288.00	28	2.00	GSF87
24	73	54.59	5.4	1.55			2.6	766	258.18	28	2.10	GSA87	
28	63	47.32	5.5	1.65			3.0	669	222.40	28	2.25	GSAF87	
30	58	44.22	5.5	1.70			2.9	661	225.26	14	1.65	GS77	8P
35	52	38.23	5.5	1.80			3.1	628	214.00	15	1.65	GSF77	
41	44	32.48	5.5	1.90			3.5	563	189.09	15	1.75	GSA77	
46	40	29.00	5.5	2.00			4.1	487	161.60	15	1.90	GSAF77	
13	98	98.80	2.8	0.85								GS77	
15	86	86.36	2.8	0.90			3.5	570	256.47	15	1.75	GSF77	
16	82	80.96	2.8	0.95			4.0	514	225.26	15	1.85	GSA77	
19	73	71.44	2.8	1.00			4.2	489	214.00	15	1.90	GSAF77	
21	66	63.33	2.8	1.05			4.1	487	217.41	8.4	1.10	GS67	6P
24	68	55.93	2.8	1.05			4.7	432	190.11	8.8	1.25	GSF67	
26	63	51.30	2.8	1.05			4.9	416	180.60	8.9	1.35	GSA67	
30	54	43.68	2.8	1.15			5.6	370	158.45	9.2	1.45	GSAF67	
35	47	37.66	2.8	1.20	GS37	4P	6.1	328	217.41	9.4	1.50		
38	44	35.10	2.8	1.20	GSF37		7.0	290	190.11	10	1.60	GS67	
43	39	30.68	2.8	1.30	GSA37		7.4	276	180.60	10	1.65	GSF67	
46	37	28.76	2.8	1.30	GSAF37		8.4	246	158.45	10	1.70	GSA67	
52	33	25.38	2.8	1.40				9.9	211	134.40	10	1.85	GSAF67
59	29	22.50	2.8	1.45			11	194	121.33	10	1.90		
70	25	19.13	2.7	1.60			5.6	355	158.12	6.2	0.80		6P
71	27	18.85	2.7	1.50			6.5	316	137.05	6.6	0.95	GS57	
81	24	16.48	2.6	1.60			6.9	296	128.10	6.7	1.00	GSF57	
86	22	15.45	2.6	1.65			8.0	263	110.37	7.0	1.10	GSA57	
98	20	13.63	2.5	1.70			9.4	226	94.08	7.2	1.30	GSAF57	
110	17	12.08	2.4	1.80			11	205	84.00	7.4	1.35		
130	15	10.27	2.3	1.85			6.6	295	201.00	6.7	0.95		4P
95	19	28.76	2.6	1.70			7.2	279	184.80	6.9	1.05		
107	17	25.38	2.5	1.75			8.4	239	158.12	7.1	1.20		
121	15	22.50	2.4	1.85			9.7	210	137.05	7.3	1.35		
142	13	19.13	2.3	1.95	GS37	2P	10	199	128.10	7.4	1.35	GS57	
144	14	18.85	2.2	1.90	GSF37		12	175	110.73	7.5	1.45	GSF57	
165	12	16.48	2.2	2.00	GSA37		14	150	94.08	7.6	1.50	GSA57	
176	11	15.45	2.1	2.05	GSAF37		16	136	84.00	7.7	1.60	GSAF57	
200	10	13.63	2.1	2.15				19	118	71.75	7.7	1.70	
225	9	12.08	2.0	2.20			19	135	69.39	7.7	1.60		
0.37kW							20	112	67.20	7.7	1.70		4P
0.31	7586	4328	40	0.85	GS100R77	4P	21	124	63.80	7.7	1.65		
0.41	5685	3243	40	1.15	GSF100R77		24	104	54.59	7.7	1.80		
0.53	4434	2530	40	1.45	GSA100R77		10	202	137.05	4.9	0.80		
0.60	3870	2208	40	1.55	GSAF100R77		10	191	128.10	4.9	0.85		
0.68	3418	1950	40	1.65				12	168	110.73	5.1	0.95	GS47
0.65	2577	2054	24	1.00			14	145	94.08	5.2	1.10	GSF47	
0.73	2316	1824	26	1.10	GS87R57	4P	16	131	84.00	5.2	1.20	GSA47	
0.82	2097	1631	27	1.20	GSF87R57		19	114	71.75	5.3	1.30	GSAF47	
1.4	1255	930	28	1.70	GSA87R57		19	136	69.39	5.2	1.15		
1.6	1136	831	28	1.75	GSAF87R57		20	107	67.20	5.3	1.30		

选型参数表
(恒功率)

Selection Table
(Constant Power)

n_a [r/min]	M_a [Nm]	i	F_{ra} [kN]	f_B	机型号 Type size	极数 Pole	n_a [r/min]	M_a [Nm]	i	F_{ra} [kN]	f_B	机型号 Type size	极数 Pole
0.37kW							0.55kW						
21	125	63.80	5.2	1.20			5.7	686	246	6.3	0.85	GS67R37	
24	108	54.59	5.3	1.30			6.3	623	221	7.7	0.95	GSF67R37	4P
28	93	47.32	5.1	1.35			7.0	560	198	8.2	1.05	GSA67R37	
30	86	44.22	5.1	1.40			8.3	478	168	8.8	1.20	GSAF67R37	
35	77	38.23	4.9	1.45	GS47							GS87	
41	66	32.48	4.7	1.55	GSF47	4P	2.3	1254	288.00	28	1.65	GSF87	8P
46	59	29.00	4.6	1.65	GSA47		2.6	1139	258.18	28	1.70	GSA87	
54	51	24.77	4.4	1.70	GSAF47		3.0	994	222.40	28	1.85	GSAF87	
57	48	23.20	4.3	1.75			3.1	975	288.00	28	1.85	GS87	
68	41	19.54	4.0	1.90			3.4	886	258.18	28	1.95	GSF87	6P
75	38	17.80	3.8	2.00			4.0	773	222.40	28	2.05	GSA87	
88	33	15.12	3.8	2.10			4.4	716	202.96	28	2.10	GSAF87	
21	97	63.33	2.8	0.85			2.9	983	225.26	13	1.15	GS77	
26	94	51.30	2.8	0.85			3.1	934	214.00	13	1.20	GSF77	8P
30	80	43.68	2.8	0.95			3.5	848	189.09	13	1.35	GSA77	
35	69	37.66	2.8	1.00			4.1	725	161.60	14	1.55	GSAF77	
38	65	35.10	2.8	1.00			3.5	847	256.47	13	1.35	GS77	
43	58	30.68	2.8	1.05			4.0	765	225.26	14	1.50	GSF77	6P
46	54	28.76	2.8	1.10			4.2	726	214.00	14	1.55	GSA77	
52	48	25.38	2.8	1.20	GS37		4.7	651	189.09	14	1.60	GSAF77	
59	43	22.50	2.7	1.20	GSF37	4P	5.5	564	161.60	15	1.70		
70	37	19.13	2.5	1.30	GSA37		5.4	570	256.47	15	1.70	GS77	
71	40	18.85	2.4	1.25	GSAF37		6.2	508	225.26	15	1.80	GSF77	4P
81	35	16.48	2.4	1.30			6.5	482	214.00	15	1.85	GSA77	
86	33	15.45	2.4	1.35			7.4	432	189.09	15	1.95	GSAF77	
98	29	13.63	2.3	1.40			8.6	375	161.60	15	2.05		
110	26	12.08	2.3	1.40			6.4	487	217.41	8.2	1.00	GS67	
130	22	10.27	2.2	1.50			7.3	432	190.11	8.7	1.10	GSF67	4P
139	21	9.57	2.1	1.55			7.7	410	180.60	8.8	1.15	GSA67	
176	17	7.57	2.0	1.70			8.8	365	158.45	9.1	1.30	GSAF67	
108	25	25.38	2.4	1.45			10	314	134.40	9.4	1.50		
122	23	22.50	2.3	1.50			11	288	121.33	10	1.55		
143	20	19.13	2.2	1.60			13	257	106.75	10	1.65		
145	20	18.85	2.1	1.55	GS37		14	245	100.80	10	1.65		
166	18	16.48	2.1	1.65	GSF37	2P	16	212	85.83	10	1.75	GS67	
177	17	15.45	2.1	1.65	GSA37		19	232	75.06	10	1.70	GSF67	4P
201	15	13.63	2.0	1.75	GSAF37		21	204	65.63	10	1.75	GSA67	
227	13	12.08	1.9	1.80			22	185	62.35	10	1.85	GSAF67	
267	11	10.27	1.8	1.95			25	163	54.70	10	1.95		
286	11	9.57	1.8	2.00			30	140	46.40	10	2.05		
0.55kW							33	127	41.89	10	2.20		
0.55	6307	2530	40	1.05	GS100R77		9.5	336	94.08	6.4	0.85		
0.63	5505	2208	40	1.20	GSF100R77	4P	11	305	84.00	6.7	0.95		
0.71	4861	1950	40	1.35	GSA100R77		12	264	71.75	7.0	1.10	GS57	6P
0.79	4411	1769	40	1.45	GSAF100R77		13	247	67.20	7.1	1.15	GSF57	
0.91	3791	1521	40	1.55			16	244	54.59	7.1	1.10	GSA57	
1.0	2545	1332	24	0.90			19	215	47.32	7.3	1.30	GSAF57	
1.2	2276	1191	26	1.00			20	201	44.22	7.4	1.35		
1.3	2097	1032	27	1.15	GS87R57		23	175	38.23	7.5	1.40		
1.5	1890	930	27	1.25	GSF87R57	4P	8.8	355	158.12	6.0	0.80		
1.7	1689	831	27	1.35	GSA87R57		10	312	137.05	6.5	0.90		
1.9	1461	719	28	1.55	GSAF87R57		11	296	128.10	6.7	0.95		
2.2	1327	624	28	1.60			13	259	110.73	7.0	1.10		
2.5	1186	558	28	1.70			15	224	94.08	7.2	1.25	GS57	4P
3.2	950	435	28	1.90			17	203	84.00	7.3	1.30	GSF57	
2.8	1364	499	6.6	0.90			19	176	71.75	7.5	1.40	GSA57	
3.2	1197	438	12	1.05	GS77R37	4P	21	166	67.20	7.5	1.40	GSAF57	
3.6	1063	389	13	1.15	GSF77R37		25	159	54.59	7.6	1.45		
4.3	894	327	14	1.35	GSA77R37		29	139	47.32	7.6	1.55		
4.8	816	289	14	1.45	GSAF77R37		31	131	44.22	7.7	1.55		
5.6	706	250	15	1.55			36	114	38.23	7.7	1.65		

选型参数表
(恒功率)

Selection Table
(Constant Power)

n_a [r/min]	M_a [Nm]	i	F_{ra} [kN]	f_b	机型号 Type size	极数 Pole	n_a [r/min]	M_a [Nm]	i	F_{ra} [kN]	f_b	机型号 Type size	极数 Pole																																																																																																																																																																																																																																																																																																																																																																																																																																																																																																																																																																																																																				
0.55kW							0.75kW																																																																																																																																																																																																																																																																																																																																																																																																																																																																																																																																																																																																																										
43	97	32.48	7.6	1.75	GS57	4P	1.3	2860	1032	18	0.90	GS87R57 GSF87R57 GSA87R57 GSAF87R57	4P																																																																																																																																																																																																																																																																																																																																																																																																																																																																																																																																																																																																																				
48	88	29.00	7.3	1.85	GSF57		56	76	24.77	7.0	1.95			GSA57	60	71	23.20	6.9	2.00	GSAF57	71	60	19.54	6.4	2.10		17	195	84.00	4.9	0.80	GS47 GSF47 GSA47 GSAF47	4P	2.2	1809	624	27	1.40	GS77R37 GSF77R37 GSA77R37 GSAF77R37	4P	19	169	71.75	5.0	0.95		21	160	67.20	5.1	1.00		25	161	54.59	4.9	0.95		29	138	47.32	4.8	1.10		31	129	44.22	4.7	1.15		36	114	38.32	4.6	1.20		43	98	32.48	4.4	1.30		48	88	29.00	4.3	1.30		56	76	24.77	4.2	1.40		60	71	23.20	4.1	1.45		71	60	19.54	3.7	1.55		78	57	17.80	3.6	1.65		92	49	15.12	3.6	1.75		103	44	13.50	3.4	1.80		121	38	11.53	3.3	1.90		129	35	10.80	3.2	1.95		153	30	9.10	3.1	2.10		173	27	8.04	3.1	2.15		45	86	30.68	2.5	0.80	GS37 GSF37 GSA37 GSAF37	4P	2.4	1845	286.40	34	1.90	GS97	8P	48	80	28.76	2.5	0.85		55	72	25.38	2.5	0.95		62	64	22.50	2.5	1.00		73	55	19.13	2.4	1.05		74	59	18.85	2.4	1.05		84	52	16.48	2.2	1.10		90	49	15.45	2.1	1.10		102	43	13.63	2.1	1.15		115	38	12.08	2.1	1.20		135	33	10.27	2.0	1.30		145	31	9.57	2.0	1.30		184	25	7.57	1.9	1.45		95	42	28.76	2.3	1.15		108	38	25.38	2.2	1.20		122	34	22.50	2.2	1.25		143	29	19.13	2.0	1.30		145	30	18.85	2.0	1.30		166	26	16.48	1.9	1.35		177	25	15.45	1.9	1.35		201	22	13.63	1.9	1.45		227	20	12.08	1.7	1.50		267	17	10.27	1.7	1.60		286	16	9.57	1.6	1.60		362	13	7.57	1.6	1.75		0.75kW							0.75kW							0.63	7506	2208	40	0.85	GS100R77 GSF100R77 GSA100R77 GSAF100R77	4P	4.0	1014	225.26	12	1.10	GS77	6P	0.71	6628	1950	40	1.00		0.79	6015	1769	40	1.05		0.91	5170	1521	40	1.25		1.05	4513	1327	40	1.45		1.23	3827	1126	40	1.55		1.1	4323	1223	20	0.85	GS37 GSF37 GSA37 GSAF37	2P	6.2	692	225.26	14	1.55	GS77	4P	1.3	3804	1070	29	1.00		1.5	3319	928	32	1.15		1.7	2965	824	33	1.30		1.9	2117	714	34	1.75		2.2	2280	626	34	1.70		2.6	1960	538	34	1.85		2.9	1789	484	34	1.95		7.3	660	190.11	7.2	0.80		7.7	627	180.60	7.5	0.85		8.8	498	158.45	8.1	1.00		10	428	134.40	8.7	1.15		11	392	121.33	9.0	1.25	GS67	4P	13	350	106.75	9.3	1.40	GSF67	14	334	100.80	9.4	1.40	GSA67	16	289	85.83	10	1.50	GSAF67	19	299	75.06	10	1.50		21	263	65.63	10	1.55		22	252	62.35	10	1.60		25	223	54.70	10	1.65		30	190	46.40	9.3	1.80		13	350	71.75	6.1	0.80	GS57	6P	14	328	67.20	6.3	0.85	GSF57	16	284	56.61	6.8	1.00	GSA57	19	285	47.32	6.8	0.90	GSAF57	21	266	44.22	6.9	1.00		13	354	110.73	6.1	0.80	GS57 GSF57 GSA57 GSAF57	4P	15	305	94.08	6.6	0.95		17	276	84.00	6.8	1.05		19	240	71.75	7.1	1.15		21	226	67.20	7.2	1.20		25	217	54.59	7.3	1.25		29	189	47.32	7.4	1.30		31	178	44.22	7.5	1.35		36	155	38.23	7.6	1.40																									
56	76	24.77	7.0	1.95	GSA57		60	71	23.20	6.9	2.00			GSAF57	71	60	19.54	6.4	2.10		17	195	84.00	4.9	0.80	GS47 GSF47 GSA47 GSAF47	4P	2.2	1809	624	27			1.40	GS77R37 GSF77R37 GSA77R37 GSAF77R37	4P	19	169			71.75	5.0	0.95		21	160	67.20	5.1	1.00		25	161	54.59	4.9	0.95		29	138	47.32	4.8	1.10		31	129	44.22	4.7	1.15		36	114	38.32	4.6	1.20		43	98	32.48	4.4	1.30		48	88	29.00	4.3	1.30		56	76	24.77	4.2	1.40		60	71	23.20	4.1	1.45		71	60	19.54	3.7	1.55		78	57	17.80	3.6	1.65		92	49	15.12	3.6	1.75		103	44	13.50	3.4	1.80		121	38	11.53	3.3	1.90		129	35	10.80	3.2	1.95		153	30	9.10	3.1	2.10		173	27	8.04	3.1	2.15		45	86	30.68	2.5	0.80	GS37 GSF37 GSA37 GSAF37	4P			2.4	1845	286.40	34	1.90	GS97		8P	48	80	28.76	2.5	0.85		55	72	25.38	2.5	0.95		62	64	22.50	2.5	1.00		73	55	19.13	2.4	1.05		74	59	18.85	2.4	1.05		84	52	16.48	2.2	1.10		90	49	15.45	2.1	1.10		102	43	13.63	2.1	1.15		115	38	12.08	2.1	1.20		135	33	10.27	2.0	1.30		145	31	9.57	2.0	1.30		184	25	7.57	1.9	1.45		95	42	28.76	2.3	1.15		108	38	25.38	2.2	1.20		122	34	22.50	2.2	1.25		143	29	19.13	2.0	1.30		145	30	18.85	2.0	1.30		166	26	16.48	1.9	1.35		177	25	15.45	1.9	1.35		201	22	13.63	1.9	1.45		227	20	12.08	1.7	1.50		267	17	10.27	1.7	1.60		286	16	9.57	1.6	1.60		362	13	7.57	1.6	1.75		0.75kW							0.75kW							0.63	7506	2208	40			0.85	GS100R77 GSF100R77 GSA100R77 GSAF100R77	4P	4.0	1014	225.26		12	1.10	GS77	6P	0.71	6628	1950	40	1.00		0.79	6015	1769	40	1.05		0.91	5170	1521	40	1.25		1.05	4513	1327	40	1.45		1.23	3827	1126	40	1.55		1.1			4323	1223	20	0.85	GS37 GSF37 GSA37 GSAF37	2P		6.2	692	225.26	14	1.55	GS77	4P	1.3	3804	1070	29	1.00		1.5	3319	928	32	1.15		1.7	2965	824	33	1.30		1.9	2117	714	34	1.75		2.2	2280	626	34	1.70		2.6	1960	538	34	1.85		2.9	1789	484	34	1.95		7.3	660	190.11	7.2	0.80		7.7	627	180.60	7.5	0.85		8.8	498	158.45	8.1	1.00		10	428	134.40	8.7	1.15			11	392	121.33	9.0	1.25	GS67	4P	13	350	106.75	9.3	1.40	GSF67	14	334	100.80	9.4	1.40	GSA67	16	289	85.83	10	1.50	GSAF67	19	299	75.06	10	1.50		21	263	65.63	10	1.55		22	252	62.35	10	1.60		25	223	54.70	10	1.65		30	190	46.40	9.3		1.80		13	350	71.75	6.1	0.80	GS57	6P	14	328	67.20	6.3	0.85	GSF57	16	284	56.61	6.8	1.00	GSA57	19	285	47.32	6.8	0.90	GSAF57	21	266			44.22	6.9	1.00		13	354	110.73	6.1	0.80	GS57 GSF57 GSA57 GSAF57	4P	15	305	94.08	6.6	0.95		17	276	84.00	6.8	1.05		19	240	71.75	7.1	1.15		21	226	67.20	7.2	1.20		25	217	54.59	7.3	1.25		29	189	47.32	7.4	1.30		31	178	44.22	7.5	1.35		36	155	38.23	7.6	1.40														
60	71	23.20	6.9	2.00	GSAF57		71	60	19.54	6.4	2.10				17	195	84.00	4.9	0.80	GS47 GSF47 GSA47 GSAF47	4P	2.2	1809	624	27			1.40	GS77R37 GSF77R37 GSA77R37 GSAF77R37	4P	19			169			71.75	5.0			0.95		21	160	67.20	5.1	1.00		25	161	54.59	4.9	0.95		29	138	47.32	4.8	1.10		31	129	44.22	4.7	1.15		36	114	38.32	4.6	1.20		43	98	32.48	4.4	1.30		48	88	29.00	4.3	1.30		56	76	24.77	4.2	1.40		60	71	23.20	4.1	1.45		71	60	19.54	3.7	1.55		78	57	17.80	3.6	1.65		92	49	15.12	3.6	1.75		103	44	13.50	3.4	1.80		121	38	11.53	3.3	1.90		129	35	10.80	3.2	1.95		153	30	9.10	3.1	2.10		173	27	8.04	3.1	2.15		45	86	30.68	2.5	0.80	GS37 GSF37 GSA37 GSAF37	4P					2.4	1845	286.40	34	1.90	GS97			8P	48	80	28.76	2.5	0.85		55	72	25.38	2.5	0.95		62	64	22.50	2.5	1.00		73	55	19.13	2.4	1.05		74	59	18.85	2.4	1.05		84	52	16.48	2.2	1.10		90	49	15.45	2.1	1.10		102	43	13.63	2.1	1.15		115	38	12.08	2.1	1.20		135	33	10.27	2.0	1.30		145	31	9.57	2.0	1.30		184	25	7.57	1.9	1.45		95	42	28.76	2.3	1.15		108	38	25.38	2.2	1.20		122	34	22.50	2.2	1.25		143	29	19.13	2.0	1.30		145	30	18.85	2.0	1.30		166	26	16.48	1.9	1.35		177	25	15.45	1.9	1.35		201	22	13.63	1.9	1.45		227	20	12.08	1.7	1.50		267	17	10.27	1.7	1.60		286	16	9.57	1.6	1.60		362	13	7.57	1.6	1.75		0.75kW							0.75kW							0.63	7506	2208			40			0.85	GS100R77 GSF100R77 GSA100R77 GSAF100R77	4P		4.0	1014	225.26		12	1.10	GS77	6P	0.71	6628	1950	40	1.00		0.79	6015	1769	40	1.05		0.91	5170	1521	40	1.25		1.05	4513	1327	40	1.45		1.23	3827	1126			40	1.55		1.1				4323	1223	20	0.85	GS37 GSF37 GSA37 GSAF37	2P		6.2	692	225.26	14	1.55	GS77	4P	1.3	3804	1070	29	1.00		1.5	3319	928	32	1.15		1.7	2965	824	33	1.30		1.9	2117	714	34	1.75		2.2	2280	626	34	1.70		2.6	1960	538	34	1.85		2.9	1789	484	34	1.95		7.3	660	190.11	7.2	0.80		7.7	627	180.60	7.5	0.85		8.8	498	158.45	8.1		1.00		10	428	134.40	8.7	1.15			11	392	121.33	9.0	1.25	GS67	4P	13	350	106.75	9.3	1.40	GSF67	14	334	100.80	9.4	1.40	GSA67	16	289	85.83	10	1.50	GSAF67	19	299	75.06	10	1.50		21	263	65.63	10	1.55		22	252	62.35	10	1.60		25	223		54.70	10	1.65		30	190	46.40	9.3		1.80		13	350	71.75	6.1	0.80	GS57	6P	14	328	67.20	6.3	0.85	GSF57	16	284	56.61	6.8	1.00			GSA57	19	285	47.32	6.8	0.90	GSAF57	21	266			44.22	6.9	1.00		13	354	110.73	6.1	0.80	GS57 GSF57 GSA57 GSAF57	4P	15	305	94.08	6.6	0.95		17	276	84.00	6.8	1.05		19	240	71.75	7.1	1.15		21	226	67.20	7.2	1.20		25	217	54.59	7.3	1.25		29	189	47.32	7.4	1.30		31	178	44.22	7.5	1.35		36	155	38.23	7.6	1.40			
71	60	19.54	6.4	2.10			17	195	84.00	4.9	0.80			GS47 GSF47 GSA47 GSAF47	4P	2.2	1809	624	27			1.40	GS77R37 GSF77R37 GSA77R37 GSAF77R37	4P	19			169			71.75			5.0			0.95				21	160	67.20	5.1	1.00		25	161	54.59	4.9	0.95		29	138	47.32	4.8	1.10		31	129	44.22	4.7	1.15		36	114	38.32	4.6	1.20		43	98	32.48	4.4	1.30		48	88	29.00	4.3	1.30		56	76	24.77	4.2	1.40		60	71	23.20	4.1	1.45		71	60	19.54	3.7	1.55		78	57	17.80	3.6	1.65		92	49	15.12	3.6	1.75		103	44	13.50	3.4	1.80		121	38	11.53	3.3	1.90		129	35	10.80	3.2	1.95		153	30	9.10	3.1	2.10		173	27	8.04	3.1	2.15		45	86	30.68	2.5	0.80	GS37 GSF37 GSA37 GSAF37	4P							2.4	1845	286.40	34	1.90	GS97	8P			48	80	28.76	2.5	0.85		55	72	25.38	2.5	0.95		62	64	22.50	2.5	1.00		73	55	19.13	2.4	1.05		74	59	18.85	2.4	1.05		84	52	16.48	2.2	1.10		90	49	15.45	2.1	1.10		102	43	13.63	2.1	1.15		115	38	12.08	2.1	1.20		135	33	10.27	2.0	1.30		145	31	9.57	2.0	1.30		184	25	7.57	1.9	1.45		95	42	28.76	2.3	1.15		108	38	25.38	2.2	1.20		122	34	22.50	2.2	1.25		143	29	19.13	2.0	1.30		145	30	18.85	2.0	1.30		166	26	16.48	1.9	1.35		177	25	15.45	1.9	1.35		201	22	13.63	1.9	1.45		227	20	12.08	1.7	1.50		267	17	10.27	1.7	1.60		286	16	9.57	1.6	1.60		362	13	7.57	1.6	1.75		0.75kW							0.75kW							0.63	7506	2208			40			0.85			GS100R77 GSF100R77 GSA100R77 GSAF100R77	4P	4.0	1014		225.26	12	1.10		GS77	6P	0.71	6628	1950	40	1.00		0.79	6015	1769	40	1.05		0.91	5170	1521	40	1.25		1.05	4513	1327	40	1.45		1.23			3827	1126	40	1.55				1.1	4323	1223	20				0.85	GS37 GSF37 GSA37 GSAF37	2P	6.2	692	225.26		14	1.55	GS77	4P	1.3	3804	1070	29	1.00		1.5	3319	928	32	1.15		1.7	2965	824	33	1.30		1.9	2117	714	34	1.75		2.2	2280	626	34	1.70		2.6	1960	538	34	1.85		2.9	1789	484	34	1.95		7.3	660	190.11	7.2	0.80		7.7	627	180.60	7.5	0.85			8.8	498	158.45	8.1	1.00		10		428	134.40	8.7	1.15		11	392		121.33	9.0	1.25	GS67	4P	13	350	106.75	9.3	1.40	GSF67	14	334	100.80	9.4	1.40	GSA67	16	289	85.83	10	1.50	GSAF67	19	299	75.06	10	1.50		21	263	65.63	10	1.55		22	252	62.35		10	1.60		25	223	54.70	10	1.65			30	190	46.40	9.3	1.80		13		350	71.75	6.1	0.80	GS57	6P	14	328	67.20	6.3	0.85			GSF57	16	284	56.61	6.8	1.00	GSA57	19	285			47.32	6.8	0.90	GSAF57	21	266	44.22	6.9	1.00				13	354	110.73	6.1	0.80	GS57 GSF57 GSA57 GSAF57	4P	15	305	94.08	6.6	0.95		17	276	84.00	6.8	1.05		19	240	71.75	7.1	1.15		21	226	67.20	7.2	1.20		25	217	54.59	7.3	1.25		29	189	47.32	7.4	1.30		31	178	44.22	7.5	1.35	
17	195	84.00	4.9	0.80	GS47 GSF47 GSA47 GSAF47	4P	2.2	1809	624	27	1.40	GS77R37 GSF77R37 GSA77R37 GSAF77R37	4P																																																																																																																																																																																																																																																																																																																																																																																																																																																																																																																																																																																																																				
19	169	71.75	5.0	0.95				21	160	67.20	5.1					1.00		25	161			54.59			4.9			0.95						29			138	47.32	4.8	1.10		31	129	44.22	4.7	1.15		36	114	38.32	4.6	1.20		43	98	32.48	4.4	1.30		48	88	29.00	4.3	1.30		56	76	24.77	4.2	1.40		60	71	23.20	4.1	1.45		71	60	19.54	3.7	1.55		78	57	17.80	3.6	1.65		92	49	15.12	3.6	1.75		103	44	13.50	3.4	1.80		121	38	11.53	3.3	1.90		129	35	10.80	3.2	1.95		153	30	9.10	3.1	2.10		173	27	8.04	3.1	2.15		45	86	30.68	2.5	0.80	GS37 GSF37 GSA37 GSAF37	4P	2.4	1845	286.40	34	1.90	GS97	8P	48	80	28.76	2.5	0.85		55	72									25.38	2.5	0.95		62	64		22.50	2.5	1.00		73	55	19.13	2.4	1.05		74	59	18.85	2.4	1.05		84	52	16.48	2.2	1.10		90	49	15.45	2.1	1.10		102	43	13.63	2.1	1.15		115	38	12.08	2.1	1.20		135	33	10.27	2.0	1.30		145	31	9.57	2.0	1.30		184	25	7.57	1.9	1.45		95	42	28.76	2.3	1.15		108	38	25.38	2.2	1.20		122	34	22.50	2.2	1.25		143	29	19.13	2.0	1.30		145	30	18.85	2.0	1.30		166	26	16.48	1.9	1.35		177	25	15.45	1.9	1.35		201	22	13.63	1.9	1.45		227	20	12.08	1.7	1.50		267	17	10.27	1.7	1.60		286	16	9.57	1.6	1.60		362	13	7.57	1.6	1.75		0.75kW							0.75kW							0.63	7506	2208	40	0.85	GS100R77 GSF100R77 GSA100R77 GSAF100R77	4P	4.0	1014	225.26	12	1.10	GS77	6P	0.71	6628	1950	40	1.00		0.79	6015			1769					40	1.05		0.91	5170	1521	40	1.25			1.05	4513	1327	40	1.45		1.23	3827	1126	40	1.55		1.1	4323	1223	20	0.85	GS37 GSF37 GSA37 GSAF37	2P	6.2	692	225.26	14	1.55			GS77	4P	1.3	3804			1070	29	1.00		1.5			3319	928			32	1.15		1.7	2965	824	33		1.30		1.9	2117	714	34	1.75		2.2	2280	626	34	1.70		2.6	1960	538	34	1.85		2.9	1789	484	34	1.95		7.3	660	190.11	7.2	0.80		7.7	627	180.60	7.5	0.85		8.8	498	158.45	8.1	1.00		10	428	134.40	8.7	1.15		11	392	121.33	9.0		1.25	GS67	4P	13	350	106.75	9.3		1.40	GSF67	14	334	100.80	9.4	1.40		GSA67	16	289	85.83		10	1.50	GSAF67	19	299	75.06	10	1.50		21	263	65.63	10	1.55		22	252	62.35	10	1.60		25	223	54.70	10	1.65		30	190	46.40	9.3	1.80		13	350	71.75	6.1	0.80	GS57	6P	14	328		67.20	6.3	0.85	GSF57	16	284	56.61	6.8		1.00	GSA57	19	285	47.32		6.8	0.90	GSAF57	21	266			44.22	6.9	1.00		13	354	110.73	6.1	0.80			GS57 GSF57 GSA57 GSAF57	4P	15	305	94.08	6.6	0.95		17			276	84.00	6.8	1.05		19			240	71.75	7.1	1.15		21	226	67.20	7.2	1.20		25	217	54.59	7.3	1.25		29	189	47.32	7.4	1.30		31	178	44.22	7.5	1.35		36	155	38.23	7.6	1.40								
21	160	67.20	5.1	1.00				25	161	54.59	4.9					0.95		29	138			47.32			4.8			1.10						31	129	44.22	4.7	1.15		36	114	38.32	4.6	1.20		43	98	32.48	4.4	1.30		48	88	29.00	4.3	1.30		56	76	24.77	4.2	1.40		60	71	23.20	4.1	1.45		71	60	19.54	3.7	1.55		78	57	17.80	3.6	1.65		92	49	15.12	3.6	1.75		103	44	13.50	3.4	1.80		121	38	11.53	3.3	1.90		129	35	10.80	3.2	1.95		153	30	9.10	3.1	2.10		173	27	8.04	3.1	2.15		45	86	30.68	2.5	0.80	GS37 GSF37 GSA37 GSAF37	4P	2.4	1845	286.40	34	1.90	GS97			8P	48	80	28.76	2.5	0.85			55	72	25.38	2.5	0.95		62									64	22.50	2.5	1.00		73	55	19.13	2.4	1.05		74	59	18.85	2.4	1.05		84	52	16.48	2.2	1.10		90	49	15.45	2.1	1.10		102	43	13.63	2.1	1.15		115	38	12.08	2.1	1.20		135	33	10.27	2.0	1.30		145	31	9.57	2.0	1.30		184	25	7.57	1.9	1.45		95	42	28.76	2.3	1.15		108	38	25.38	2.2	1.20		122	34	22.50	2.2	1.25		143	29	19.13	2.0	1.30		145	30	18.85	2.0	1.30		166	26	16.48	1.9	1.35		177	25	15.45	1.9	1.35		201	22	13.63	1.9	1.45		227	20	12.08	1.7	1.50		267	17	10.27	1.7	1.60		286	16	9.57	1.6	1.60		362	13	7.57	1.6	1.75		0.75kW							0.75kW							0.63	7506	2208	40	0.85	GS100R77 GSF100R77 GSA100R77 GSAF100R77	4P	4.0	1014	225.26	12			1.10	GS77	6P	0.71	6628	1950		40	1.00		0.79	6015	1769	40	1.05		0.91	5170					1521	40	1.25		1.05	4513	1327	40	1.45		1.23	3827	1126	40	1.55		1.1	4323	1223	20	0.85	GS37 GSF37 GSA37 GSAF37	2P	6.2	692	225.26	14			1.55	GS77	4P	1.3	3804			1070		29	1.00				1.5	3319	928	32			1.15				1.7	2965	824	33	1.30		1.9	2117	714	34	1.75		2.2	2280	626	34	1.70		2.6	1960	538	34	1.85		2.9	1789	484	34	1.95		7.3	660	190.11	7.2	0.80		7.7	627	180.60	7.5	0.85		8.8	498	158.45	8.1	1.00		10	428	134.40	8.7	1.15		11	392	121.33	9.0	1.25	GS67	4P	13		350	106.75		9.3	1.40	GSF67	14		334	100.80	9.4	1.40	GSA67	16	289		85.83	10	1.50	GSAF67		19	299	75.06	10	1.50		21	263	65.63	10	1.55		22	252	62.35	10	1.60		25	223	54.70	10	1.65		30	190	46.40	9.3	1.80		13	350	71.75	6.1	0.80	GS57	6P	14	328		67.20	6.3	0.85	GSF57	16	284	56.61	6.8	1.00	GSA57	19		285	47.32	6.8	0.90	GSAF57		21	266	44.22	6.9	1.00				13	354	110.73	6.1	0.80	GS57 GSF57 GSA57 GSAF57	4P	15					305	94.08	6.6	0.95		17	276			84.00	6.8	1.05		19	240			71.75	7.1	1.15		21	226	67.20	7.2	1.20		25	217	54.59	7.3	1.25		29	189	47.32	7.4	1.30		31	178	44.22	7.5	1.35		36	155	38.23	7.6	1.40									
25	161	54.59	4.9	0.95				29	138	47.32	4.8					1.10		31	129			44.22			4.7			1.15		36	114			38.32	4.6	1.20		43	98	32.48	4.4	1.30		48	88	29.00	4.3	1.30		56	76	24.77	4.2	1.40		60	71	23.20	4.1	1.45		71	60	19.54	3.7	1.55		78	57	17.80	3.6	1.65		92	49	15.12	3.6	1.75		103	44	13.50	3.4	1.80		121	38	11.53	3.3	1.90		129	35	10.80	3.2	1.95		153	30	9.10	3.1	2.10		173	27	8.04	3.1	2.15		45	86	30.68	2.5	0.80	GS37 GSF37 GSA37 GSAF37	4P	2.4	1845	286.40	34	1.90	GS97			8P	48	80	28.76	2.5	0.85					55	72	25.38	2.5		0.95		62	64	22.50	2.5	1.00										73	55	19.13	2.4	1.05		74	59	18.85	2.4	1.05		84	52	16.48	2.2	1.10		90	49	15.45	2.1	1.10		102	43	13.63	2.1	1.15		115	38	12.08	2.1	1.20		135	33	10.27	2.0	1.30		145	31	9.57	2.0	1.30		184	25	7.57	1.9	1.45		95	42	28.76	2.3	1.15		108	38	25.38	2.2	1.20		122	34	22.50	2.2	1.25		143	29	19.13	2.0	1.30		145	30	18.85	2.0	1.30		166	26	16.48	1.9	1.35		177	25	15.45	1.9	1.35		201	22	13.63	1.9	1.45		227	20	12.08	1.7	1.50		267	17	10.27	1.7	1.60		286	16	9.57	1.6	1.60		362	13	7.57	1.6	1.75		0.75kW							0.75kW							0.63	7506	2208	40	0.85	GS100R77 GSF100R77 GSA100R77 GSAF100R77	4P	4.0	1014	225.26			12	1.10	GS77	6P			0.71	6628		1950	40	1.00			0.79	6015	1769	40	1.05		0.91	5170	1521	40	1.25				1.05	4513	1327	40	1.45		1.23	3827	1126	40	1.55		1.1	4323	1223	20	0.85	GS37 GSF37 GSA37 GSAF37	2P	6.2	692			225.26	14	1.55	GS77			4P	1.3		3804	1070			29		1.00				1.5	3319	928	32	1.15				1.7			2965	824	33	1.30		1.9	2117	714	34	1.75		2.2	2280	626	34	1.70		2.6	1960	538	34	1.85		2.9	1789	484	34	1.95		7.3	660	190.11	7.2	0.80		7.7	627	180.60	7.5	0.85		8.8	498	158.45	8.1	1.00		10	428	134.40	8.7	1.15		11	392	121.33	9.0	1.25	GS67	4P		13		350	106.75		9.3	1.40	GSF67	14		334	100.80	9.4	1.40	GSA67	16	289		85.83	10	1.50	GSAF67		19	299	75.06	10	1.50		21	263	65.63	10	1.55		22	252	62.35	10	1.60		25	223	54.70	10	1.65		30	190	46.40	9.3	1.80		13	350	71.75	6.1	0.80	GS57		6P	14		328	67.20	6.3	0.85	GSF57	16	284	56.61	6.8	1.00	GSA57	19	285	47.32	6.8	0.90	GSAF57		21	266	44.22	6.9	1.00				13	354	110.73	6.1	0.80			GS57 GSF57 GSA57 GSAF57					4P	15	305	94.08	6.6	0.95				17	276	84.00	6.8	1.05				19	240	71.75	7.1	1.15		21	226	67.20	7.2	1.20		25	217	54.59	7.3	1.25		29	189	47.32	7.4	1.30		31	178	44.22	7.5	1.35		36	155	38.23	7.6	1.40							
29	138	47.32	4.8	1.10				31	129	44.22	4.7					1.15		36	114			38.32	4.6	1.20				43	98	32.48	4.4			1.30		48	88	29.00	4.3	1.30		56	76	24.77	4.2	1.40		60	71	23.20	4.1	1.45		71	60	19.54	3.7	1.55		78	57	17.80	3.6	1.65		92	49	15.12	3.6	1.75		103	44	13.50	3.4	1.80		121	38	11.53	3.3	1.90		129	35	10.80	3.2	1.95		153	30	9.10	3.1	2.10		173	27	8.04	3.1	2.15		45	86	30.68	2.5	0.80	GS37 GSF37 GSA37 GSAF37	4P	2.4	1845	286.40	34	1.90	GS97			8P	48	80	28.76	2.5	0.85					55	72	25.38	2.5				0.95		62	64	22.50	2.5	1.00		73	55	19.13	2.4	1.05										74	59	18.85	2.4	1.05		84	52	16.48	2.2	1.10		90	49	15.45	2.1	1.10		102	43	13.63	2.1	1.15		115	38	12.08	2.1	1.20		135	33	10.27	2.0	1.30		145	31	9.57	2.0	1.30		184	25	7.57	1.9	1.45		95	42	28.76	2.3	1.15		108	38	25.38	2.2	1.20		122	34	22.50	2.2	1.25		143	29	19.13	2.0	1.30		145	30	18.85	2.0	1.30		166	26	16.48	1.9	1.35		177	25	15.45	1.9	1.35		201	22	13.63	1.9	1.45		227	20	12.08	1.7	1.50		267	17	10.27	1.7	1.60		286	16	9.57	1.6	1.60		362	13	7.57	1.6	1.75		0.75kW							0.75kW							0.63	7506	2208	40	0.85	GS100R77 GSF100R77 GSA100R77 GSAF100R77	4P	4.0	1014	225.26	12			1.10	GS77	6P			0.71	6628	1950				40	1.00			0.79	6015	1769	40	1.05		0.91	5170	1521	40	1.25		1.05	4513	1327	40	1.45		1.23	3827	1126	40	1.55		1.1	4323	1223	20	0.85	GS37 GSF37 GSA37 GSAF37	2P	6.2	692	225.26	14			1.55	GS77			4P	1.3	3804	1070				29		1.00				1.5	3319	928	32			1.15		1.7	2965	824			33	1.30				1.9	2117	714	34	1.75		2.2	2280	626	34	1.70		2.6	1960	538	34	1.85		2.9	1789	484	34	1.95		7.3	660	190.11	7.2	0.80		7.7	627	180.60	7.5	0.85		8.8	498	158.45	8.1	1.00		10	428	134.40	8.7	1.15		11	392	121.33	9.0	1.25	GS67	4P	13	350	106.75			9.3		1.40	GSF67		14	334	100.80	9.4		1.40	GSA67	16	289	85.83	10	1.50		GSAF67	19	299	75.06		10	1.50		21	263	65.63	10	1.55		22	252	62.35	10	1.60		25	223	54.70	10	1.65		30	190	46.40	9.3	1.80		13	350	71.75	6.1	0.80	GS57	6P	14	328			67.20		6.3	0.85	GSF57	16	284	56.61	6.8	1.00	GSA57	19	285	47.32	6.8	0.90	GSAF57	21	266	44.22	6.9	1.00		13	354			110.73	6.1	0.80	GS57 GSF57 GSA57 GSAF57	4P	15									305	94.08	6.6	0.95		17			276	84.00	6.8	1.05		19			240	71.75	7.1	1.15		21	226	67.20	7.2	1.20		25	217	54.59	7.3	1.25		29	189	47.32	7.4	1.30		31	178	44.22	7.5	1.35		36	155	38.23	7.6	1.40								
31	129	44.22	4.7	1.15				36	114	38.32	4.6	1.20				43	98	32.48	4.4			1.30		48	88			29.00	4.3	1.30				56	76	24.77	4.2	1.40		60	71	23.20	4.1	1.45		71	60	19.54	3.7	1.55		78	57	17.80	3.6	1.65		92	49	15.12	3.6	1.75		103	44	13.50	3.4	1.80		121	38	11.53	3.3	1.90		129	35	10.80	3.2	1.95		153	30	9.10	3.1	2.10		173	27	8.04	3.1	2.15		45	86	30.68	2.5	0.80	GS37 GSF37 GSA37 GSAF37	4P	2.4	1845	286.40	34	1.90	GS97			8P	48	80	28.76	2.5	0.85					55	72	25.38	2.5				0.95		62	64	22.50			2.5	1.00		73	55	19.13	2.4	1.05		74	59	18.85	2.4	1.05										84	52	16.48	2.2	1.10		90	49	15.45	2.1	1.10		102	43	13.63	2.1	1.15		115	38	12.08	2.1	1.20		135	33	10.27	2.0	1.30		145	31	9.57	2.0	1.30		184	25	7.57	1.9	1.45		95	42	28.76	2.3	1.15		108	38	25.38	2.2	1.20		122	34	22.50	2.2	1.25		143	29	19.13	2.0	1.30		145	30	18.85	2.0	1.30		166	26	16.48	1.9	1.35		177	25	15.45	1.9	1.35		201	22	13.63	1.9	1.45		227	20	12.08	1.7	1.50		267	17	10.27	1.7	1.60		286	16	9.57	1.6	1.60		362	13	7.57	1.6	1.75		0.75kW							0.75kW							0.63	7506	2208	40	0.85	GS100R77 GSF100R77 GSA100R77 GSAF100R77	4P	4.0	1014	225.26	12			1.10	GS77	6P	0.71			6628	1950				40	1.00					0.79	6015	1769	40	1.05		0.91	5170	1521	40	1.25		1.05	4513	1327	40	1.45		1.23	3827	1126	40	1.55		1.1	4323	1223	20	0.85	GS37 GSF37 GSA37 GSAF37	2P	6.2	692			225.26	14	1.55	GS77			4P	1.3				3804	1070	29				1.00		1.5	3319			928	32	1.15				1.7	2965	824	33	1.30				1.9			2117	714	34	1.75		2.2	2280	626	34	1.70		2.6	1960	538	34	1.85		2.9	1789	484	34	1.95		7.3	660	190.11	7.2	0.80		7.7	627	180.60	7.5	0.85		8.8	498	158.45	8.1	1.00		10	428	134.40	8.7	1.15		11	392	121.33	9.0	1.25	GS67	4P	13		350	106.75	9.3			1.40		GSF67	14		334	100.80	9.4	1.40		GSA67	16	289	85.83	10	1.50	GSAF67		19	299	75.06	10		1.50		21	263	65.63	10	1.55		22	252	62.35	10	1.60		25	223	54.70	10	1.65		30	190	46.40	9.3	1.80		13	350	71.75	6.1	0.80	GS57	6P		14	328			67.20		6.3	0.85	GSF57	16	284	56.61	6.8	1.00	GSA57	19	285	47.32	6.8	0.90	GSAF57	21	266	44.22	6.9	1.00		13	354			110.73	6.1	0.80			GS57 GSF57 GSA57 GSAF57									4P	15	305	94.08	6.6	0.95				17	276	84.00	6.8	1.05				19	240	71.75	7.1	1.15		21	226	67.20	7.2	1.20		25	217	54.59	7.3	1.25		29	189	47.32	7.4	1.30		31	178	44.22	7.5	1.35		36	155	38.23	7.6	1.40						
36	114	38.32	4.6	1.20				43	98	32.48	4.4	1.30				48	88	29.00	4.3			1.30		56	76			24.77	4.2	1.40				60	71	23.20	4.1	1.45		71	60	19.54	3.7	1.55		78	57	17.80	3.6	1.65		92	49	15.12	3.6	1.75		103	44	13.50	3.4	1.80		121	38	11.53	3.3	1.90		129	35	10.80	3.2	1.95		153	30	9.10	3.1	2.10		173	27	8.04	3.1	2.15		45	86	30.68	2.5	0.80	GS37 GSF37 GSA37 GSAF37	4P	2.4	1845	286.40	34			1.90	GS97	8P	48	80	28.76				2.5	0.85		55	72				25.38	2.5	0.95		62			64	22.50	2.5	1.00		73			55	19.13	2.4	1.05		74	59	18.85	2.4	1.05		84	52	16.48	2.2									1.10		90	49	15.45	2.1	1.10		102	43	13.63	2.1	1.15		115	38	12.08	2.1	1.20		135	33	10.27	2.0	1.30		145	31	9.57	2.0	1.30		184	25	7.57	1.9	1.45		95	42	28.76	2.3	1.15		108	38	25.38	2.2	1.20		122	34	22.50	2.2	1.25		143	29	19.13	2.0	1.30		145	30	18.85	2.0	1.30		166	26	16.48	1.9	1.35		177	25	15.45	1.9	1.35		201	22	13.63	1.9	1.45		227	20	12.08	1.7	1.50		267	17	10.27	1.7	1.60		286	16	9.57	1.6	1.60		362	13	7.57	1.6	1.75		0.75kW							0.75kW							0.63	7506	2208	40	0.85	GS100R77 GSF100R77 GSA100R77 GSAF100R77	4P	4.0	1014			225.26	12	1.10	GS77			6P	0.71		6628			1950	40				1.00		0.79	6015	1769	40	1.05		0.91	5170	1521	40	1.25		1.05	4513	1327	40	1.45		1.23	3827	1126	40	1.55		1.1	4323	1223	20	0.85	GS37 GSF37 GSA37 GSAF37	2P	6.2	692			225.26	14			1.55	GS77	4P	1.3				3804				1070	29	1.00				1.5	3319	928	32			1.15		1.7	2965			824	33	1.30		1.9			2117	714			34	1.75		2.2	2280	626	34	1.70		2.6	1960	538	34	1.85		2.9	1789	484	34	1.95		7.3	660	190.11	7.2	0.80		7.7	627	180.60	7.5	0.85		8.8	498	158.45	8.1	1.00		10	428	134.40	8.7	1.15		11	392	121.33	9.0	1.25	GS67	4P	13		350		106.75	9.3	1.40			GSF67		14	334		100.80	9.4	1.40	GSA67		16	289	85.83	10	1.50	GSAF67	19		299	75.06	10	1.50			21	263	65.63	10	1.55		22	252	62.35	10	1.60		25	223	54.70	10	1.65		30	190	46.40	9.3	1.80		13	350	71.75	6.1	0.80	GS57	6P			14	328			67.20	6.3	0.85	GSF57	16	284	56.61	6.8	1.00	GSA57	19	285	47.32	6.8	0.90	GSAF57	21	266	44.22	6.9	1.00		13	354	110.73			6.1	0.80	GS57 GSF57 GSA57 GSAF57													4P	15	305	94.08	6.6			0.95		17	276	84.00	6.8			1.05		19	240	71.75	7.1	1.15		21	226	67.20	7.2	1.20		25	217	54.59	7.3	1.25		29	189	47.32	7.4	1.30		31	178	44.22	7.5	1.35		36	155	38.23	7.6	1.40					
43	98	32.48	4.4	1.30				48	88	29.00	4.3	1.30				56	76	24.77	4.2			1.40		60	71			23.20	4.1	1.45				71	60	19.54	3.7	1.55		78	57	17.80	3.6	1.65		92	49	15.12	3.6	1.75		103	44	13.50	3.4	1.80		121	38	11.53	3.3	1.90		129	35	10.80	3.2	1.95		153	30	9.10	3.1	2.10		173	27	8.04	3.1	2.15		45	86	30.68	2.5	0.80	GS37 GSF37 GSA37 GSAF37	4P	2.4	1845	286.40	34			1.90	GS97	8P	48			80	28.76		2.5	0.85					55	72	25.38	2.5	0.95				62	64	22.50	2.5	1.00				73	55	19.13	2.4	1.05				74	59	18.85	2.4	1.05		84	52	16.48	2.2	1.10		90	49									15.45	2.1	1.10		102	43	13.63	2.1	1.15		115	38	12.08	2.1	1.20		135	33	10.27	2.0	1.30		145	31	9.57	2.0	1.30		184	25	7.57	1.9	1.45		95	42	28.76	2.3	1.15		108	38	25.38	2.2	1.20		122	34	22.50	2.2	1.25		143	29	19.13	2.0	1.30		145	30	18.85	2.0	1.30		166	26	16.48	1.9	1.35		177	25	15.45	1.9	1.35		201	22	13.63	1.9	1.45		227	20	12.08	1.7	1.50		267	17	10.27	1.7	1.60		286	16	9.57	1.6	1.60		362	13	7.57	1.6	1.75		0.75kW							0.75kW							0.63	7506	2208	40	0.85	GS100R77 GSF100R77 GSA100R77 GSAF100R77	4P	4.0	1014			225.26	12			1.10	GS77	6P	0.71				6628		1950			40	1.00		0.79	6015	1769	40	1.05		0.91	5170	1521	40	1.25		1.05	4513	1327	40	1.45		1.23	3827	1126	40	1.55		1.1	4323	1223	20	0.85	GS37 GSF37 GSA37 GSAF37	2P	6.2	692			225.26	14			1.55	GS77			4P	1.3		3804				1070			29	1.00		1.5			3319	928	32	1.15				1.7	2965	824	33			1.30		1.9	2117	714			34	1.75				2.2	2280	626	34	1.70		2.6	1960	538	34	1.85		2.9	1789	484	34	1.95		7.3	660	190.11	7.2	0.80		7.7	627	180.60	7.5	0.85		8.8	498	158.45	8.1	1.00		10	428	134.40	8.7	1.15		11	392	121.33	9.0	1.25	GS67	4P	13		350		106.75		9.3	1.40	GSF67			14		334	100.80		9.4	1.40	GSA67	16		289	85.83	10	1.50	GSAF67	19	299		75.06	10	1.50			21	263	65.63	10	1.55		22	252	62.35	10	1.60		25	223	54.70	10	1.65		30	190	46.40	9.3	1.80		13	350	71.75	6.1	0.80	GS57	6P				14	328	67.20		6.3	0.85	GSF57	16	284	56.61	6.8	1.00	GSA57	19	285	47.32	6.8	0.90	GSAF57	21	266	44.22	6.9	1.00		13	354	110.73	6.1			0.80	GS57 GSF57 GSA57 GSAF57															4P	15	305	94.08			6.6	0.95		17	276	84.00			6.8	1.05		19	240	71.75	7.1	1.15		21	226	67.20	7.2	1.20		25	217	54.59	7.3	1.25		29	189	47.32	7.4	1.30		31	178	44.22	7.5	1.35		36	155	38.23	7.6	1.40				
48	88	29.00	4.3	1.30				56	76	24.77	4.2	1.40				60	71	23.20	4.1			1.45		71	60			19.54	3.7	1.55				78	57	17.80	3.6	1.65		92	49	15.12	3.6	1.75		103	44	13.50	3.4	1.80		121	38	11.53	3.3	1.90		129	35	10.80	3.2	1.95		153	30	9.10	3.1	2.10		173	27	8.04	3.1	2.15		45	86	30.68	2.5	0.80	GS37 GSF37 GSA37 GSAF37	4P	2.4	1845	286.40	34			1.90	GS97	8P	48			80	28.76		2.5			0.85			55	72	25.38			2.5	0.95		62	64	22.50			2.5	1.00		73	55	19.13			2.4	1.05		74	59	18.85			2.4	1.05		84	52	16.48	2.2	1.10		90	49	15.45	2.1	1.10										102	43	13.63	2.1	1.15		115	38	12.08	2.1	1.20		135	33	10.27	2.0	1.30		145	31	9.57	2.0	1.30		184	25	7.57	1.9	1.45		95	42	28.76	2.3	1.15		108	38	25.38	2.2	1.20		122	34	22.50	2.2	1.25		143	29	19.13	2.0	1.30		145	30	18.85	2.0	1.30		166	26	16.48	1.9	1.35		177	25	15.45	1.9	1.35		201	22	13.63	1.9	1.45		227	20	12.08	1.7	1.50		267	17	10.27	1.7	1.60		286	16	9.57	1.6	1.60		362	13	7.57	1.6	1.75		0.75kW							0.75kW							0.63	7506	2208	40	0.85	GS100R77 GSF100R77 GSA100R77 GSAF100R77	4P	4.0	1014			225.26	12			1.10	GS77			6P	0.71		6628				1950	40	1.00		0.79	6015	1769	40	1.05		0.91	5170	1521	40	1.25		1.05	4513	1327	40	1.45		1.23	3827	1126	40	1.55		1.1	4323	1223	20	0.85	GS37 GSF37 GSA37 GSAF37	2P	6.2	692			225.26	14			1.55	GS77			4P	1.3				3804		1070			29	1.00				1.5	3319	928			32	1.15		1.7	2965			824	33	1.30				1.9	2117	714	34	1.75				2.2			2280	626	34	1.70		2.6	1960	538	34	1.85		2.9	1789	484	34	1.95		7.3	660	190.11	7.2	0.80		7.7	627	180.60	7.5	0.85		8.8	498	158.45	8.1	1.00		10	428	134.40	8.7	1.15		11	392	121.33	9.0	1.25	GS67	4P	13		350		106.75		9.3		1.40	GSF67	14			334		100.80	9.4		1.40	GSA67	16	289		85.83	10	1.50	GSAF67	19	299	75.06		10	1.50		21		263	65.63	10	1.55		22	252	62.35	10	1.60		25	223	54.70	10	1.65		30	190	46.40	9.3	1.80		13	350	71.75	6.1	0.80	GS57	6P					14	328	67.20	6.3	0.85	GSF57	16	284	56.61	6.8	1.00	GSA57	19	285	47.32	6.8	0.90	GSAF57	21	266	44.22	6.9	1.00		13	354	110.73	6.1	0.80			GS57 GSF57 GSA57 GSAF57																	4P	15	305			94.08	6.6	0.95		17	276			84.00	6.8	1.05		19	240	71.75	7.1	1.15		21	226	67.20	7.2	1.20		25	217	54.59	7.3	1.25		29	189	47.32	7.4	1.30		31	178	44.22	7.5	1.35		36	155	38.23	7.6	1.40			
56	76	24.77	4.2	1.40				60	71	23.20	4.1	1.45				71	60	19.54	3.7			1.55		78	57			17.80	3.6	1.65				92	49	15.12	3.6	1.75		103	44	13.50	3.4	1.80		121	38	11.53	3.3	1.90		129	35	10.80	3.2	1.95		153	30	9.10	3.1	2.10		173	27	8.04	3.1	2.15		45	86	30.68	2.5	0.80	GS37 GSF37 GSA37 GSAF37	4P	2.4	1845	286.40	34			1.90	GS97	8P	48			80	28.76		2.5			0.85			55			72	25.38	2.5	0.95		62			64	22.50	2.5	1.00		73			55	19.13	2.4	1.05		74			59	18.85	2.4	1.05		84			52	16.48	2.2	1.10		90	49	15.45	2.1	1.10		102	43	13.63	2.1									1.15		115	38	12.08	2.1	1.20		135	33	10.27	2.0	1.30		145	31	9.57	2.0	1.30		184	25	7.57	1.9	1.45		95	42	28.76	2.3	1.15		108	38	25.38	2.2	1.20		122	34	22.50	2.2	1.25		143	29	19.13	2.0	1.30		145	30	18.85	2.0	1.30		166	26	16.48	1.9	1.35		177	25	15.45	1.9	1.35		201	22	13.63	1.9	1.45		227	20	12.08	1.7	1.50		267	17	10.27	1.7	1.60		286	16	9.57	1.6	1.60		362	13	7.57	1.6	1.75		0.75kW							0.75kW							0.63	7506	2208	40	0.85	GS100R77 GSF100R77 GSA100R77 GSAF100R77	4P	4.0	1014			225.26	12			1.10	GS77			6P	0.71				6628		1950	40	1.00		0.79	6015	1769	40	1.05		0.91	5170	1521	40	1.25		1.05	4513	1327	40	1.45		1.23	3827	1126	40	1.55		1.1	4323	1223	20	0.85	GS37 GSF37 GSA37 GSAF37	2P	6.2	692			225.26	14			1.55	GS77			4P	1.3				3804				1070	29	1.00				1.5			3319	928	32	1.15				1.7	2965	824	33			1.30		1.9	2117			714	34	1.75		2.2			2280	626			34	1.70		2.6	1960	538	34	1.85		2.9	1789	484	34	1.95		7.3	660	190.11	7.2	0.80		7.7	627	180.60	7.5	0.85		8.8	498	158.45	8.1	1.00		10	428	134.40	8.7	1.15		11	392	121.33	9.0	1.25	GS67	4P	13		350		106.75		9.3		1.40		GSF67	14	334			100.80		9.4	1.40		GSA67	16	289	85.83		10	1.50	GSAF67	19	299	75.06	10		1.50		21	263		65.63	10	1.55		22	252	62.35	10	1.60		25	223	54.70	10	1.65		30	190	46.40	9.3	1.80		13	350	71.75	6.1	0.80	GS57	6P					14	328	67.20	6.3	0.85	GSF57	16	284	56.61	6.8	1.00	GSA57	19	285	47.32	6.8	0.90	GSAF57	21	266	44.22	6.9	1.00		13	354	110.73	6.1	0.80	GS57 GSF57 GSA57 GSAF57																					4P	15			305	94.08	6.6	0.95		17			276	84.00	6.8	1.05		19	240	71.75	7.1	1.15		21	226	67.20	7.2	1.20		25	217	54.59	7.3	1.25		29	189	47.32	7.4	1.30		31	178	44.22	7.5	1.35		36	155	38.23	7.6	1.40		
60	71	23.20	4.1	1.45				71	60	19.54	3.7	1.55				78	57	17.80	3.6			1.65		92	49			15.12	3.6	1.75				103	44	13.50	3.4	1.80		121	38	11.53	3.3	1.90		129	35	10.80	3.2	1.95		153	30	9.10	3.1	2.10		173	27	8.04	3.1	2.15		45	86	30.68	2.5	0.80	GS37 GSF37 GSA37 GSAF37	4P	2.4	1845	286.40	34			1.90	GS97	8P	48			80	28.76		2.5			0.85			55			72	25.38	2.5	0.95				62	64	22.50	2.5	1.00				73	55	19.13	2.4	1.05				74	59	18.85	2.4	1.05				84	52	16.48	2.2	1.10				90	49	15.45	2.1	1.10		102	43	13.63	2.1	1.15		115	38									12.08	2.1	1.20		135	33	10.27	2.0	1.30		145	31	9.57	2.0	1.30		184	25	7.57	1.9	1.45		95	42	28.76	2.3	1.15		108	38	25.38	2.2	1.20		122	34	22.50	2.2	1.25		143	29	19.13	2.0	1.30		145	30	18.85	2.0	1.30		166	26	16.48	1.9	1.35		177	25	15.45	1.9	1.35		201	22	13.63	1.9	1.45		227	20	12.08	1.7	1.50		267	17	10.27	1.7	1.60		286	16	9.57	1.6	1.60		362	13	7.57	1.6	1.75		0.75kW							0.75kW							0.63	7506	2208	40	0.85	GS100R77 GSF100R77 GSA100R77 GSAF100R77	4P	4.0	1014			225.26	12			1.10	GS77			6P	0.71				6628	1950	40		1.00		0.79	6015	1769	40	1.05		0.91	5170	1521	40	1.25		1.05	4513	1327	40	1.45		1.23	3827	1126	40	1.55		1.1	4323	1223	20	0.85	GS37 GSF37 GSA37 GSAF37	2P	6.2	692			225.26	14			1.55	GS77			4P	1.3				3804				1070			29	1.00		1.5			3319	928			32	1.15		1.7			2965	824	33	1.30				1.9	2117	714	34			1.75		2.2	2280	626			34	1.70				2.6	1960	538	34	1.85		2.9	1789	484	34	1.95		7.3	660	190.11	7.2	0.80		7.7	627	180.60	7.5	0.85		8.8	498	158.45	8.1	1.00		10	428	134.40	8.7	1.15		11	392	121.33	9.0	1.25	GS67	4P	13		350		106.75		9.3		1.40		GSF67		14	334	100.80			9.4		1.40	GSA67		16	289	85.83	10		1.50	GSAF67	19	299	75.06	10	1.50			21	263	65.63		10	1.55		22	252	62.35	10	1.60		25	223	54.70	10	1.65		30	190	46.40	9.3	1.80		13	350	71.75	6.1	0.80	GS57	6P					14	328	67.20	6.3	0.85	GSF57	16	284	56.61	6.8	1.00	GSA57	19	285	47.32	6.8	0.90	GSAF57	21	266	44.22	6.9	1.00		13	354	110.73	6.1	0.80	GS57 GSF57 GSA57 GSAF57																							4P			15	305	94.08	6.6	0.95				17	276	84.00	6.8	1.05		19	240	71.75	7.1	1.15		21	226	67.20	7.2	1.20		25	217	54.59	7.3	1.25		29	189	47.32	7.4	1.30		31	178	44.22	7.5	1.35		36	155	38.23	7.6	1.40	
71	60	19.54	3.7	1.55				78	57	17.80	3.6	1.65				92	49	15.12	3.6			1.75		103	44			13.50	3.4	1.80		121	38	11.53	3.3	1.90		129	35	10.80	3.2	1.95		153	30	9.10	3.1	2.10		173	27	8.04	3.1	2.15		45	86	30.68	2.5	0.80	GS37 GSF37 GSA37 GSAF37	4P	2.4	1845	286.40	34	1.90	GS97			8P	48	80	28.76			2.5	0.85					55	72		25.38			2.5	0.95		62			64	22.50	2.5	1.00				73	55	19.13	2.4	1.05				74	59	18.85	2.4	1.05				84	52	16.48	2.2	1.10				90	49	15.45	2.1	1.10				102	43	13.63	2.1	1.15		115	38	12.08	2.1	1.20		135	33							10.27	2.0	1.30		145	31	9.57	2.0	1.30		184	25	7.57	1.9	1.45		95	42	28.76	2.3	1.15		108	38	25.38	2.2	1.20		122	34	22.50	2.2	1.25		143	29	19.13	2.0	1.30		145	30	18.85	2.0	1.30		166	26	16.48	1.9	1.35		177	25	15.45	1.9	1.35		201	22	13.63	1.9	1.45		227	20	12.08	1.7	1.50		267	17	10.27	1.7	1.60		286	16	9.57	1.6	1.60		362	13	7.57	1.6	1.75		0.75kW							0.75kW							0.63	7506	2208	40	0.85	GS100R77 GSF100R77 GSA100R77 GSAF100R77	4P	4.0	1014	225.26	12	1.10	GS77			6P	0.71			6628	1950			40	1.00					0.79	6015		1769	40	1.05		0.91	5170	1521	40	1.25		1.05	4513	1327	40	1.45		1.23	3827	1126	40	1.55		1.1	4323	1223	20	0.85	GS37 GSF37 GSA37 GSAF37	2P	6.2	692	225.26	14	1.55	GS77			4P	1.3			3804	1070			29	1.00								1.5			3319	928			32	1.15		1.7			2965	824			33	1.30		1.9			2117	714	34	1.75		2.2	2280	626	34	1.70				2.6	1960	538	34	1.85				2.9			1789	484	34	1.95		7.3	660	190.11	7.2	0.80		7.7	627	180.60	7.5	0.85		8.8	498	158.45	8.1	1.00		10	428	134.40	8.7	1.15		11	392	121.33	9.0	1.25	GS67	4P	13	350	106.75	9.3	1.40	GSF67	14		334		100.80		9.4		1.40		GSA67		16		289	85.83	10			1.50	GSAF67	19	299		75.06	10	1.50			21	263	65.63	10	1.55		22		252	62.35	10	1.60			25	223	54.70	10	1.65		30	190	46.40	9.3	1.80		13	350	71.75	6.1	0.80	GS57	6P	14	328	67.20	6.3	0.85	GSF57	16					284	56.61	6.8	1.00	GSA57	19	285	47.32	6.8	0.90	GSAF57	21	266	44.22	6.9	1.00		13	354	110.73	6.1	0.80	GS57 GSF57 GSA57 GSAF57	4P	15	305	94.08	6.6	0.95				17	276																							84.00	6.8	1.05		19	240			71.75	7.1	1.15		21	226	67.20	7.2	1.20		25	217	54.59	7.3	1.25		29	189	47.32	7.4	1.30		31	178	44.22	7.5	1.35		36	155	38.23	7.6	1.40									
78	57	17.80	3.6	1.65				92	49	15.12	3.6	1.75				103	44	13.50	3.4			1.80		121	38	11.53	3.3	1.90		129	35	10.80	3.2	1.95		153	30	9.10	3.1	2.10		173	27	8.04	3.1	2.15		45	86	30.68	2.5	0.80	GS37 GSF37 GSA37 GSAF37	4P	2.4	1845	286.40	34	1.90	GS97			8P	48	80	28.76	2.5	0.85					55	72			25.38	2.5		0.95				62	64	22.50			2.5	1.00		73			55	19.13	2.4	1.05				74	59	18.85	2.4	1.05				84	52	16.48	2.2	1.10				90	49	15.45	2.1	1.10				102	43	13.63	2.1	1.15				115	38	12.08	2.1	1.20		135	33	10.27	2.0	1.30		145	31					9.57	2.0	1.30		184	25	7.57	1.9	1.45		95	42	28.76	2.3	1.15		108	38	25.38	2.2	1.20		122	34	22.50	2.2	1.25		143	29	19.13	2.0	1.30		145	30	18.85	2.0	1.30		166	26	16.48	1.9	1.35		177	25	15.45	1.9	1.35		201	22	13.63	1.9	1.45		227	20	12.08	1.7	1.50		267	17	10.27	1.7	1.60		286	16	9.57	1.6	1.60		362	13	7.57	1.6	1.75		0.75kW							0.75kW							0.63	7506	2208	40	0.85	GS100R77 GSF100R77 GSA100R77 GSAF100R77	4P	4.0	1014	225.26	12	1.10	GS77			6P	0.71	6628	1950	40	1.00							0.79	6015			1769	40	1.05			0.91	5170	1521	40	1.25		1.05	4513	1327	40	1.45		1.23	3827	1126	40	1.55		1.1	4323	1223	20	0.85	GS37 GSF37 GSA37 GSAF37	2P	6.2	692	225.26	14	1.55	GS77			4P	1.3	3804	1070	29	1.00							1.5	3319			928	32				1.15				1.7			2965	824			33	1.30		1.9			2117	714			34	1.75		2.2			2280	626	34	1.70		2.6	1960	538	34	1.85		2.9	1789	484	34	1.95		7.3			660	190.11			7.2	0.80		7.7	627	180.60	7.5	0.85		8.8	498	158.45	8.1	1.00		10	428	134.40	8.7	1.15		11	392	121.33	9.0	1.25	GS67	4P	13	350	106.75	9.3	1.40	GSF67	14		334	100.80	9.4	1.40	GSA67	16	289		85.83		10		1.50		GSAF67		19		299		75.06	10	1.50				21	263	65.63		10	1.55		22	252	62.35	10	1.60		25	223	54.70		10	1.65		30		190	46.40	9.3	1.80		13	350	71.75	6.1	0.80	GS57	6P	14	328	67.20	6.3	0.85	GSF57	16		284	56.61	6.8	1.00	GSA57	19	285				47.32	6.8	0.90	GSAF57	21	266	44.22	6.9	1.00		13	354	110.73	6.1	0.80	GS57 GSF57 GSA57 GSAF57	4P	15	305	94.08	6.6	0.95				17	276	84.00	6.8	1.05				19	240										71.75	7.1												1.15		21	226	67.20	7.2			1.20		25	217	54.59	7.3	1.25		29	189	47.32	7.4	1.30		31	178	44.22	7.5	1.35		36	155	38.23	7.6	1.40																	
92	49	15.12	3.6	1.75				103	44	13.50	3.4	1.80				121	38	11.53	3.3	1.90		129	35	10.80	3.2	1.95		153	30	9.10	3.1	2.10		173	27	8.04	3.1	2.15		45	86	30.68	2.5	0.80	GS37 GSF37 GSA37 GSAF37	4P	2.4	1845	286.40	34	1.90	GS97			8P	48	80	28.76	2.5	0.85					55	72	25.38	2.5				0.95		62			64	22.50	2.5	1.00				73	55	19.13			2.4	1.05		74			59	18.85	2.4	1.05				84	52	16.48	2.2	1.10				90	49	15.45	2.1	1.10				102	43	13.63	2.1	1.15				115	38	12.08	2.1	1.20				135	33	10.27	2.0	1.30		145	31	9.57	2.0	1.30		184	25			7.57	1.9	1.45		95	42	28.76	2.3	1.15		108	38	25.38	2.2	1.20		122	34	22.50	2.2	1.25		143	29	19.13	2.0	1.30		145	30	18.85	2.0	1.30		166	26	16.48	1.9	1.35		177	25	15.45	1.9	1.35		201	22	13.63	1.9	1.45		227	20	12.08	1.7	1.50		267	17	10.27	1.7	1.60		286	16	9.57	1.6	1.60		362	13	7.57	1.6	1.75		0.75kW							0.75kW							0.63	7506	2208	40	0.85	GS100R77 GSF100R77 GSA100R77 GSAF100R77	4P	4.0	1014	225.26	12	1.10	GS77			6P	0.71	6628	1950	40	1.00					0.79	6015	1769	40				1.05				0.91	5170	1521	40	1.25		1.05	4513	1327	40	1.45		1.23	3827	1126	40	1.55		1.1	4323	1223	20	0.85	GS37 GSF37 GSA37 GSAF37	2P	6.2	692	225.26	14	1.55	GS77			4P	1.3	3804	1070	29	1.00					1.5	3319	928	32				1.15				1.7			2965	824			33	1.30				1.9			2117	714			34	1.75		2.2			2280	626			34	1.70		2.6			1960	538	34	1.85		2.9	1789	484	34	1.95		7.3	660	190.11	7.2	0.80		7.7	627	180.60	7.5	0.85				8.8	498	158.45	8.1	1.00		10	428	134.40	8.7	1.15		11	392	121.33	9.0	1.25	GS67	4P	13	350	106.75	9.3	1.40	GSF67	14		334	100.80	9.4	1.40	GSA67	16	289		85.83	10	1.50	GSAF67	19	299	75.06		10		1.50				21		263		65.63		10	1.55				22	252	62.35	10		1.60		25	223	54.70	10	1.65		30	190	46.40	9.3	1.80		13	350	71.75		6.1	0.80	GS57	6P	14	328	67.20	6.3	0.85	GSF57	16		284	56.61	6.8	1.00	GSA57	19	285		47.32	6.8	0.90	GSAF57	21	266	44.22			6.9	1.00		13	354	110.73	6.1	0.80	GS57 GSF57 GSA57 GSAF57	4P	15	305	94.08	6.6	0.95				17	276	84.00	6.8	1.05				19	240	71.75	7.1	1.15				21	226										67.20	7.2										1.20		25	217	54.59	7.3	1.25				29	189	47.32	7.4	1.30		31	178	44.22	7.5	1.35		36	155	38.23	7.6	1.40																									
103	44	13.50	3.4	1.80				121	38	11.53	3.3	1.90		129	35	10.80	3.2	1.95		153	30	9.10	3.1	2.10		173	27	8.04	3.1	2.15		45	86	30.68	2.5	0.80	GS37 GSF37 GSA37 GSAF37	4P	2.4	1845	286.40	34	1.90	GS97			8P	48	80	28.76	2.5	0.85					55	72	25.38	2.5				0.95		62	64	22.50			2.5	1.00		73			55	19.13	2.4	1.05				74	59	18.85			2.4	1.05		84			52	16.48	2.2	1.10				90	49	15.45	2.1	1.10				102	43	13.63	2.1	1.15				115	38	12.08	2.1	1.20				135	33	10.27	2.0	1.30				145	31	9.57	2.0	1.30		184	25	7.57	1.9	1.45		95	42	28.76	2.3	1.15		108	38	25.38	2.2	1.20		122	34	22.50	2.2	1.25		143	29	19.13	2.0	1.30		145	30	18.85	2.0	1.30		166	26	16.48	1.9	1.35		177	25	15.45	1.9	1.35		201	22	13.63	1.9	1.45		227	20	12.08	1.7	1.50		267	17	10.27	1.7	1.60		286	16	9.57	1.6	1.60		362	13	7.57	1.6	1.75		0.75kW							0.75kW							0.63	7506	2208	40	0.85	GS100R77 GSF100R77 GSA100R77 GSAF100R77	4P	4.0	1014	225.26	12	1.10	GS77			6P	0.71	6628	1950	40	1.00					0.79	6015	1769	40				1.05		0.91	5170	1521			40	1.25		1.05	4513	1327	40	1.45		1.23	3827	1126	40	1.55		1.1	4323	1223	20	0.85	GS37 GSF37 GSA37 GSAF37	2P	6.2	692	225.26	14	1.55	GS77			4P	1.3	3804	1070	29	1.00					1.5	3319	928	32				1.15		1.7	2965	824			33	1.30				1.9			2117	714			34	1.75				2.2			2280	626			34	1.70		2.6			1960	538			34	1.85		2.9			1789	484	34	1.95		7.3	660	190.11	7.2	0.80		7.7	627	180.60	7.5	0.85		8.8	498	158.45	8.1	1.00		10	428	134.40	8.7	1.15		11	392	121.33	9.0	1.25	GS67	4P	13	350	106.75	9.3	1.40	GSF67	14		334	100.80	9.4	1.40	GSA67	16	289		85.83	10	1.50	GSAF67	19	299	75.06		10	1.50		21	263	65.63	10		1.55				22		252		62.35		10		1.60		25			223	54.70	10	1.65			30	190	46.40	9.3	1.80		13	350	71.75	6.1	0.80	GS57	6P	14	328	67.20	6.3	0.85	GSF57	16		284	56.61	6.8	1.00	GSA57	19	285		47.32	6.8	0.90	GSAF57	21	266	44.22		6.9	1.00		13	354	110.73	6.1		0.80	GS57 GSF57 GSA57 GSAF57	4P	15	305	94.08	6.6	0.95				17	276	84.00	6.8	1.05				19	240	71.75	7.1	1.15				21	226	67.20	7.2	1.20				25	217										54.59	7.3										1.25		29	189	47.32	7.4	1.30		31	178	44.22	7.5	1.35		36	155	38.23	7.6	1.40																																	
121	38	11.53	3.3	1.90		129	35	10.80	3.2	1.95		153	30	9.10	3.1	2.10		173	27	8.04	3.1	2.15		45	86	30.68	2.5	0.80	GS37 GSF37 GSA37 GSAF37	4P	2.4	1845	286.40	34	1.90	GS97			8P	48	80	28.76	2.5	0.85					55	72	25.38	2.5				0.95		62	64	22.50			2.5	1.00		73	55	19.13			2.4	1.05		74			59	18.85	2.4	1.05				84	52	16.48			2.2	1.10		90			49	15.45	2.1	1.10				102	43	13.63	2.1	1.15				115	38	12.08	2.1	1.20				135	33	10.27	2.0	1.30				145	31	9.57	2.0	1.30				184	25	7.57	1.9	1.45		95	42	28.76	2.3	1.15		108	38	25.38	2.2	1.20		122	34	22.50	2.2	1.25		143	29	19.13	2.0	1.30		145	30	18.85	2.0	1.30		166	26	16.48	1.9	1.35		177	25	15.45	1.9	1.35		201	22	13.63	1.9	1.45		227	20	12.08	1.7	1.50		267	17	10.27	1.7	1.60		286	16	9.57	1.6	1.60		362	13	7.57	1.6	1.75		0.75kW							0.75kW							0.63	7506	2208	40	0.85	GS100R77 GSF100R77 GSA100R77 GSAF100R77	4P	4.0	1014	225.26	12			1.10	GS77	6P	0.71	6628	1950				40	1.00		0.79	6015				1769	40	1.05		0.91			5170	1521	40	1.25		1.05	4513	1327	40	1.45		1.23	3827	1126	40	1.55		1.1	4323	1223	20	0.85	GS37 GSF37 GSA37 GSAF37	2P	6.2	692	225.26	14			1.55	GS77	4P	1.3	3804	1070				29	1.00		1.5	3319				928	32	1.15		1.7			2965	824	33	1.30		1.9			2117	714			34	1.75				2.2			2280	626			34	1.70				2.6			1960	538	34	1.85				2.9			1789	484	34	1.95				7.3	660	190.11	7.2	0.80		7.7	627	180.60	7.5	0.85		8.8	498	158.45	8.1	1.00		10	428	134.40	8.7	1.15		11	392	121.33	9.0	1.25	GS67	4P	13	350	106.75		9.3	1.40	GSF67	14	334	100.80	9.4		1.40	GSA67	16	289	85.83	10	1.50		GSAF67	19	299	75.06	10	1.50			21	263	65.63	10	1.55		22		252		62.35		10		1.60				25		223	54.70	10			1.65		30	190		46.40	9.3	1.80		13	350	71.75	6.1	0.80	GS57	6P	14	328		67.20	6.3	0.85	GSF57	16	284	56.61		6.8	1.00	GSA57	19	285	47.32	6.8		0.90	GSAF57	21	266	44.22	6.9	1.00			13	354	110.73	6.1	0.80	GS57 GSF57 GSA57 GSAF57	4P	15			305	94.08	6.6	0.95		17			276	84.00	6.8	1.05		19			240	71.75	7.1	1.15		21			226	67.20	7.2	1.20		25			217	54.59										7.3	1.25											29	189	47.32	7.4	1.30		31	178	44.22	7.5	1.35		36	155	38.23	7.6	1.40																																		
129	35	10.80	3.2	1.95		153	30	9.10	3.1	2.10		173	27	8.04	3.1	2.15		45	86	30.68	2.5	0.80	GS37 GSF37 GSA37 GSAF37	4P	2.4	1845	286.40	34			1.90	GS97	8P	48	80	28.76				2.5	0.85		55	72				25.38	2.5	0.95		62			64	22.50	2.5	1.00		73			55	19.13	2.4	1.05		74			59	18.85	2.4	1.05				84	52	16.48			2.2	1.10		90			49	15.45	2.1	1.10				102	43	13.63			2.1	1.15		115	38	12.08			2.1	1.20		135	33	10.27			2.0	1.30		145	31	9.57			2.0	1.30		184	25	7.57	1.9	1.45		95	42	28.76	2.3	1.15		108	38	25.38	2.2	1.20		122	34	22.50	2.2	1.25		143	29	19.13	2.0	1.30		145	30	18.85	2.0	1.30		166	26	16.48	1.9	1.35		177	25	15.45	1.9	1.35		201	22	13.63	1.9	1.45		227	20	12.08	1.7	1.50		267	17	10.27	1.7	1.60		286	16	9.57	1.6	1.60		362	13	7.57	1.6	1.75		0.75kW							0.75kW							0.63	7506	2208	40	0.85	GS100R77 GSF100R77 GSA100R77 GSAF100R77	4P	4.0	1014	225.26	12			1.10	GS77	6P	0.71			6628	1950		40	1.00					0.79	6015	1769	40	1.05				0.91	5170	1521	40	1.25		1.05	4513	1327	40	1.45		1.23	3827	1126	40	1.55		1.1	4323	1223	20	0.85	GS37 GSF37 GSA37 GSAF37	2P	6.2	692	225.26	14			1.55	GS77	4P	1.3			3804	1070		29	1.00					1.5	3319	928	32	1.15				1.7	2965	824	33	1.30				1.9	2117	714	34	1.75				2.2			2280	626			34	1.70				2.6			1960	538			34	1.85				2.9	1789	484			34	1.95				7.3	660	190.11	7.2	0.80		7.7	627	180.60	7.5	0.85		8.8	498	158.45	8.1	1.00		10	428	134.40	8.7	1.15		11	392	121.33	9.0	1.25	GS67	4P	13	350	106.75	9.3	1.40		GSF67	14	334		100.80	9.4	1.40	GSA67	16	289	85.83		10	1.50	GSAF67	19	299	75.06	10		1.50		21	263	65.63	10	1.55			22	252	62.35	10	1.60			25		223		54.70		10		1.65				30	190	46.40			9.3	1.80		13	350	71.75	6.1	0.80	GS57	6P	14	328	67.20	6.3	0.85		GSF57	16		284	56.61	6.8	1.00	GSA57	19	285		47.32	6.8	0.90	GSAF57	21	266	44.22		6.9	1.00		13	354	110.73	6.1	0.80	GS57 GSF57 GSA57 GSAF57	4P	15	305	94.08	6.6			0.95				17	276	84.00	6.8	1.05				19	240	71.75	7.1	1.15				21	226	67.20	7.2	1.20				25	217	54.59	7.3	1.25				29										189	47.32	7.4	1.30									31	178	44.22	7.5	1.35		36	155	38.23	7.6	1.40																																								
153	30	9.10	3.1	2.10		173	27	8.04	3.1	2.15		45	86	30.68	2.5	0.80	GS37 GSF37 GSA37 GSAF37	4P	2.4	1845	286.40	34			1.90	GS97	8P	48			80	28.76		2.5	0.85					55	72	25.38	2.5	0.95				62	64	22.50	2.5	1.00				73	55	19.13	2.4	1.05				74	59	18.85	2.4	1.05				84	52	16.48			2.2	1.10		90			49	15.45	2.1	1.10				102	43	13.63			2.1	1.15		115			38	12.08	2.1	1.20		135			33	10.27	2.0	1.30		145			31	9.57	2.0	1.30		184	25	7.57	1.9	1.45		95	42	28.76	2.3	1.15		108	38	25.38	2.2	1.20		122	34	22.50	2.2	1.25		143	29	19.13	2.0	1.30		145	30	18.85	2.0	1.30		166	26	16.48	1.9	1.35		177	25	15.45	1.9	1.35		201	22	13.63	1.9	1.45		227	20	12.08	1.7	1.50		267	17	10.27	1.7	1.60		286	16	9.57	1.6	1.60		362	13	7.57	1.6	1.75		0.75kW							0.75kW							0.63	7506	2208	40	0.85	GS100R77 GSF100R77 GSA100R77 GSAF100R77	4P	4.0	1014	225.26	12			1.10	GS77	6P	0.71			6628	1950		40			1.00			0.79	6015	1769			40	1.05		0.91	5170	1521	40	1.25		1.05	4513	1327	40	1.45		1.23	3827	1126	40	1.55		1.1	4323	1223	20	0.85	GS37 GSF37 GSA37 GSAF37	2P	6.2	692	225.26	14			1.55	GS77	4P	1.3			3804	1070		29			1.00			1.5	3319	928			32	1.15		1.7	2965	824			33	1.30		1.9	2117	714			34	1.75		2.2	2280	626			34	1.70				2.6			1960	538			34	1.85				2.9			1789	484			34	1.95		7.3			660	190.11	7.2	0.80		7.7	627	180.60	7.5	0.85		8.8	498	158.45	8.1	1.00		10	428	134.40	8.7	1.15		11	392	121.33	9.0	1.25	GS67	4P	13	350	106.75	9.3	1.40		GSF67	14	334	100.80	9.4		1.40	GSA67	16		289	85.83	10	1.50	GSAF67	19	299		75.06	10	1.50		21	263	65.63		10	1.55		22	252	62.35	10		1.60		25	223	54.70	10	1.65				30		190		46.40		9.3		1.80			13	350		71.75	6.1	0.80	GS57	6P	14	328	67.20	6.3	0.85		GSF57	16	284	56.61	6.8		1.00	GSA57		19	285	47.32	6.8	0.90	GSAF57	21		266	44.22	6.9	1.00		13	354	110.73	6.1	0.80	GS57 GSF57 GSA57 GSAF57	4P	15	305	94.08	6.6			0.95		17	276			84.00			6.8	1.05		19	240	71.75			7.1	1.15		21	226	67.20			7.2	1.20		25	217	54.59			7.3	1.25		29	189	47.32			7.4	1.30								31		178	44.22	7.5	1.35									36	155	38.23	7.6	1.40																																														
173	27	8.04	3.1	2.15		45	86	30.68	2.5	0.80	GS37 GSF37 GSA37 GSAF37	4P	2.4	1845	286.40	34			1.90	GS97	8P	48			80	28.76		2.5			0.85			55	72	25.38			2.5	0.95		62	64	22.50			2.5	1.00		73	55	19.13			2.4	1.05		74	59	18.85			2.4	1.05		84	52	16.48			2.2	1.10		90			49	15.45	2.1	1.10				102	43	13.63			2.1	1.15		115			38	12.08	2.1	1.20				135	33	10.27	2.0	1.30				145	31	9.57	2.0	1.30		184	25	7.57	1.9	1.45		95	42	28.76	2.3	1.15		108	38	25.38	2.2	1.20		122	34	22.50	2.2	1.25		143	29	19.13	2.0	1.30		145	30	18.85	2.0	1.30		166	26	16.48	1.9	1.35		177	25	15.45	1.9	1.35		201	22	13.63	1.9	1.45		227	20	12.08	1.7	1.50		267	17	10.27	1.7	1.60		286	16	9.57	1.6	1.60		362	13	7.57	1.6	1.75		0.75kW							0.75kW							0.63	7506	2208	40	0.85	GS100R77 GSF100R77 GSA100R77 GSAF100R77	4P	4.0	1014	225.26	12			1.10	GS77	6P	0.71			6628	1950		40			1.00			0.79			6015	1769	40	1.05		0.91	5170	1521	40	1.25		1.05	4513	1327	40	1.45		1.23	3827	1126	40	1.55		1.1	4323	1223	20	0.85	GS37 GSF37 GSA37 GSAF37	2P	6.2	692	225.26	14			1.55	GS77	4P	1.3			3804	1070		29			1.00			1.5			3319	928	32	1.15		1.7			2965	824	33	1.30		1.9			2117	714	34	1.75		2.2			2280	626	34	1.70		2.6			1960	538			34	1.85				2.9			1789	484			34	1.95				7.3			660	190.11	7.2	0.80		7.7	627	180.60	7.5	0.85		8.8	498	158.45	8.1	1.00		10	428	134.40	8.7	1.15		11	392	121.33	9.0	1.25	GS67	4P	13	350	106.75	9.3	1.40		GSF67	14	334	100.80	9.4		1.40	GSA67	16	289	85.83		10	1.50	GSAF67		19	299	75.06	10	1.50		21		263	65.63	10	1.55		22	252		62.35	10	1.60		25	223	54.70		10	1.65		30	190	46.40	9.3		1.80				13		350		71.75		6.1		0.80	GS57	6P	14	328	67.20	6.3	0.85		GSF57	16	284	56.61	6.8		1.00	GSA57	19	285	47.32		6.8	0.90		GSAF57	21	266	44.22	6.9	1.00		13	354	110.73	6.1	0.80	GS57 GSF57 GSA57 GSAF57	4P	15	305	94.08	6.6			0.95		17	276			84.00	6.8	1.05				19			240	71.75	7.1	1.15		21			226	67.20	7.2	1.20		25			217	54.59	7.3	1.25		29			189	47.32	7.4	1.30		31			178	44.22							7.5	1.35		36	155	38.23	7.6	1.40																																																										
45	86	30.68	2.5	0.80	GS37 GSF37 GSA37 GSAF37	4P	2.4	1845	286.40	34			1.90	GS97	8P																																																																																																																																																																																																																																																																																																																																																																																																																																																																																																																																																																																																																		
48	80	28.76	2.5	0.85				55	72	25.38			2.5	0.95					62	64		22.50			2.5	1.00		73			55	19.13	2.4	1.05		74			59	18.85	2.4	1.05		84			52	16.48	2.2	1.10		90			49	15.45	2.1	1.10		102			43	13.63	2.1	1.15		115			38	12.08	2.1	1.20				135	33	10.27			2.0	1.30		145			31	9.57	2.0	1.30				184	25	7.57	1.9	1.45		95	42	28.76	2.3	1.15		108	38	25.38	2.2	1.20		122	34	22.50	2.2	1.25		143	29	19.13	2.0	1.30		145	30	18.85	2.0	1.30		166	26	16.48	1.9	1.35		177	25	15.45	1.9	1.35		201	22	13.63	1.9	1.45		227	20	12.08	1.7	1.50		267	17	10.27	1.7	1.60		286	16	9.57	1.6	1.60		362	13	7.57	1.6	1.75		0.75kW							0.75kW							0.63	7506	2208	40	0.85	GS100R77 GSF100R77 GSA100R77 GSAF100R77	4P	4.0	1014	225.26	12	1.10	GS77	6P	0.71	6628	1950	40	1.00		0.79	6015	1769	40	1.05				0.91	5170	1521			40	1.25					1.05	4513	1327	40	1.45		1.23	3827	1126	40	1.55		1.1	4323	1223	20	0.85	GS37 GSF37 GSA37 GSAF37	2P	6.2	692	225.26	14	1.55	GS77	4P	1.3	3804	1070	29	1.00		1.5	3319	928	32	1.15		1.7	2965			824	33	1.30				1.9	2117		714			34	1.75		2.2			2280	626	34	1.70				2.6	1960	538	34	1.85				2.9	1789	484	34	1.95				7.3	660	190.11	7.2	0.80				7.7	627	180.60	7.5	0.85				8.8			498	158.45			8.1	1.00				10			428	134.40	8.7	1.15		11	392	121.33	9.0	1.25	GS67	4P	13	350	106.75	9.3	1.40	GSF67	14	334	100.80	9.4	1.40	GSA67	16	289	85.83	10	1.50	GSAF67	19	299	75.06	10	1.50		21		263	65.63	10	1.55			22	252	62.35	10	1.60			25	223	54.70	10		1.65		30		190	46.40	9.3	1.80		13	350		71.75	6.1	0.80	GS57	6P	14	328		67.20	6.3	0.85	GSF57	16	284	56.61		6.8	1.00	GSA57	19	285	47.32	6.8		0.90		GSAF57		21		266		44.22	6.9	1.00		13	354		110.73	6.1	0.80	GS57 GSF57 GSA57 GSAF57	4P		15	305	94.08	6.6	0.95			17	276	84.00	6.8	1.05		19	240	71.75	7.1	1.15		21	226	67.20	7.2	1.20		25	217			54.59	7.3	1.25				29	189	47.32	7.4			1.30		31	178			44.22			7.5	1.35		36	155	38.23			7.6	1.40																																																																																																
55	72	25.38	2.5	0.95				62	64	22.50			2.5	1.00					73	55	19.13	2.4			1.05		74	59			18.85	2.4	1.05		84	52			16.48	2.2	1.10		90	49			15.45	2.1	1.10		102	43			13.63	2.1	1.15		115	38			12.08	2.1	1.20		135	33			10.27	2.0	1.30				145	31	9.57	2.0			1.30		184	25			7.57	1.9	1.45		95	42	28.76	2.3	1.15		108	38	25.38	2.2	1.20		122	34	22.50	2.2	1.25		143	29	19.13	2.0	1.30		145	30	18.85	2.0	1.30		166	26	16.48	1.9	1.35		177	25	15.45	1.9	1.35		201	22	13.63	1.9	1.45		227	20	12.08	1.7	1.50		267	17	10.27	1.7	1.60		286	16	9.57	1.6	1.60		362	13	7.57	1.6	1.75		0.75kW							0.75kW							0.63	7506	2208	40	0.85	GS100R77 GSF100R77 GSA100R77 GSAF100R77	4P	4.0	1014	225.26	12	1.10	GS77	6P			0.71	6628	1950	40	1.00			0.79	6015	1769	40	1.05		0.91	5170	1521	40	1.25				1.05	4513	1327			40	1.45		1.23	3827	1126	40	1.55		1.1	4323	1223	20	0.85	GS37 GSF37 GSA37 GSAF37	2P	6.2	692	225.26	14	1.55	GS77	4P			1.3	3804	1070	29	1.00			1.5	3319	928	32	1.15		1.7	2965	824	33	1.30		1.9	2117			714	34	1.75				2.2	2280	626	34			1.70		2.6	1960			538	34	1.85				2.9	1789	484	34	1.95				7.3	660	190.11	7.2	0.80				7.7	627	180.60	7.5	0.85				8.8	498	158.45	8.1	1.00				10	428			134.40	8.7			1.15				11	392	121.33	9.0	1.25	GS67	4P	13	350	106.75	9.3	1.40	GSF67	14	334		100.80	9.4	1.40	GSA67	16	289	85.83	10	1.50	GSAF67	19	299	75.06	10	1.50		21	263	65.63	10	1.55		22	252	62.35		10	1.60		25	223		54.70	10	1.65		30		190	46.40	9.3	1.80			13	350	71.75		6.1	0.80	GS57	6P	14	328	67.20		6.3	0.85	GSF57	16		284	56.61		6.8	1.00	GSA57	19	285	47.32	6.8		0.90	GSAF57	21	266	44.22	6.9	1.00				13		354		110.73	6.1	0.80	GS57 GSF57 GSA57 GSAF57	4P	15	305	94.08		6.6	0.95					17	276	84.00	6.8	1.05		19	240	71.75	7.1	1.15		21	226	67.20	7.2	1.20		25	217	54.59	7.3	1.25		29	189	47.32			7.4	1.30		31			178	44.22	7.5	1.35				36	155	38.23			7.6			1.40																																																																																																									
62	64	22.50	2.5	1.00				73	55	19.13			2.4	1.05		74			59	18.85	2.4	1.05				84	52	16.48			2.2	1.10		90	49	15.45			2.1	1.10		102	43	13.63			2.1	1.15		115	38	12.08			2.1	1.20		135	33	10.27			2.0	1.30		145	31	9.57			2.0	1.30		184			25	7.57	1.9	1.45				95	42	28.76	2.3	1.15		108	38	25.38	2.2	1.20		122	34	22.50	2.2	1.25		143	29	19.13	2.0	1.30		145	30	18.85	2.0	1.30		166	26	16.48	1.9	1.35		177	25	15.45	1.9	1.35		201	22	13.63	1.9	1.45		227	20	12.08	1.7	1.50		267	17	10.27	1.7	1.60		286	16	9.57	1.6	1.60		362	13	7.57	1.6	1.75		0.75kW							0.75kW							0.63	7506	2208	40	0.85	GS100R77 GSF100R77 GSA100R77 GSAF100R77	4P	4.0	1014	225.26	12	1.10	GS77	6P			0.71	6628	1950	40	1.00					0.79	6015	1769	40	1.05			0.91	5170	1521	40	1.25		1.05	4513	1327	40	1.45				1.23	3827	1126	40	1.55		1.1	4323	1223	20	0.85	GS37 GSF37 GSA37 GSAF37	2P	6.2	692	225.26	14	1.55	GS77			4P	1.3	3804	1070	29	1.00					1.5	3319	928	32	1.15			1.7	2965	824	33	1.30		1.9	2117	714	34	1.75		2.2			2280	626	34	1.70				2.6	1960	538			34	1.85		2.9			1789	484	34	1.95				7.3	660	190.11	7.2	0.80				7.7	627	180.60	7.5	0.85				8.8	498	158.45	8.1	1.00				10	428	134.40	8.7	1.15				11			392	121.33			9.0	1.25	GS67	4P	13	350	106.75	9.3	1.40	GSF67		14	334	100.80	9.4	1.40	GSA67	16	289		85.83	10	1.50	GSAF67	19	299	75.06	10	1.50		21	263	65.63	10	1.55		22	252	62.35	10	1.60		25	223	54.70		10	1.65		30	190		46.40	9.3	1.80		13		350	71.75	6.1	0.80	GS57		6P	14	328		67.20	6.3	0.85		GSF57	16	284		56.61	6.8	1.00	GSA57		19	285		47.32	6.8	0.90	GSAF57	21	266	44.22		6.9	1.00		13	354	110.73	6.1		0.80		GS57 GSF57 GSA57 GSAF57		4P	15	305	94.08	6.6			0.95		17		276	84.00	6.8			1.05		19	240	71.75	7.1	1.15		21	226	67.20	7.2	1.20		25	217	54.59	7.3	1.25		29	189	47.32	7.4	1.30		31	178			44.22	7.5	1.35				36	155	38.23	7.6			1.40																																																																																																																		
73	55	19.13	2.4	1.05				74	59	18.85			2.4	1.05		84			52	16.48	2.2	1.10				90	49	15.45			2.1	1.10		102	43	13.63			2.1	1.15		115	38	12.08			2.1	1.20		135	33	10.27			2.0	1.30		145	31	9.57			2.0	1.30		184	25	7.57			1.9	1.45		95			42	28.76	2.3	1.15		108	38	25.38	2.2	1.20		122	34	22.50	2.2	1.25		143	29	19.13	2.0	1.30		145	30	18.85	2.0	1.30		166	26	16.48	1.9	1.35		177	25	15.45	1.9	1.35		201	22	13.63	1.9	1.45		227	20	12.08	1.7	1.50		267	17	10.27	1.7	1.60		286	16	9.57	1.6	1.60		362	13	7.57	1.6	1.75		0.75kW							0.75kW							0.63	7506	2208	40	0.85	GS100R77 GSF100R77 GSA100R77 GSAF100R77	4P	4.0	1014	225.26	12	1.10	GS77			6P	0.71	6628	1950	40	1.00					0.79	6015	1769	40	1.05					0.91	5170	1521	40	1.25		1.05	4513	1327	40	1.45		1.23	3827	1126	40	1.55		1.1	4323	1223	20	0.85	GS37 GSF37 GSA37 GSAF37	2P	6.2	692	225.26	14	1.55	GS77			4P	1.3	3804	1070	29	1.00					1.5	3319	928	32				1.15		1.7	2965	824	33	1.30		1.9	2117	714	34	1.75		2.2	2280	626	34	1.70		2.6			1960	538	34	1.85				2.9	1789	484			34	1.95		7.3			660	190.11	7.2	0.80				7.7	627	180.60	7.5	0.85				8.8	498	158.45	8.1	1.00				10	428	134.40	8.7	1.15				11	392	121.33	9.0	1.25			GS67	4P			13	350	106.75	9.3	1.40	GSF67	14		334	100.80	9.4	1.40	GSA67	16		289	85.83	10	1.50	GSAF67	19	299	75.06		10	1.50		21	263	65.63	10	1.55		22	252	62.35	10	1.60		25	223	54.70	10	1.65		30	190	46.40	9.3		1.80		13	350	71.75		6.1	0.80	GS57	6P	14		328	67.20	6.3	0.85	GSF57			16	284		56.61	6.8	1.00		GSA57	19	285		47.32	6.8	0.90	GSAF57		21	266		44.22	6.9	1.00		13	354	110.73		6.1	0.80	GS57 GSF57 GSA57 GSAF57	4P	15	305	94.08		6.6			0.95			17	276	84.00			6.8	1.05		19	240	71.75	7.1			1.15		21	226	67.20	7.2	1.20		25	217	54.59	7.3	1.25		29	189	47.32	7.4	1.30		31	178	44.22	7.5	1.35		36	155			38.23	7.6	1.40																																																																																																																												
74	59	18.85	2.4	1.05				84	52	16.48			2.2	1.10		90			49	15.45	2.1	1.10				102	43	13.63			2.1	1.15		115	38	12.08			2.1	1.20		135	33	10.27			2.0	1.30		145	31	9.57			2.0	1.30		184	25	7.57			1.9	1.45		95	42	28.76			2.3	1.15		108	38	25.38	2.2	1.20		122	34	22.50	2.2	1.25		143	29	19.13	2.0	1.30		145	30	18.85	2.0	1.30		166	26	16.48	1.9	1.35		177	25	15.45	1.9	1.35		201	22	13.63	1.9	1.45		227	20	12.08	1.7	1.50		267	17	10.27	1.7	1.60		286	16	9.57	1.6	1.60		362	13	7.57	1.6	1.75		0.75kW							0.75kW							0.63	7506	2208	40	0.85	GS100R77 GSF100R77 GSA100R77 GSAF100R77	4P	4.0	1014	225.26	12	1.10	GS77			6P	0.71	6628	1950	40	1.00					0.79	6015	1769	40				1.05		0.91	5170	1521	40	1.25				1.05	4513	1327	40	1.45		1.23	3827	1126	40	1.55		1.1	4323	1223	20	0.85	GS37 GSF37 GSA37 GSAF37	2P	6.2	692	225.26	14			1.55	GS77	4P	1.3	3804	1070				29	1.00		1.5	3319				928	32	1.15		1.7	2965			824	33	1.30		1.9	2117	714	34	1.75		2.2	2280	626	34	1.70		2.6	1960	538	34	1.85				2.9	1789	484			34	1.95		7.3			660	190.11	7.2	0.80				7.7	627	180.60			7.5	0.85		8.8	498	158.45			8.1	1.00		10	428	134.40			8.7	1.15		11	392	121.33			9.0	1.25	GS67	4P	13	350			106.75		9.3	1.40	GSF67	14	334	100.80	9.4	1.40	GSA67		16	289	85.83	10	1.50	GSAF67		19	299	75.06	10	1.50		21	263		65.63	10	1.55		22	252	62.35	10	1.60		25	223	54.70	10	1.65		30	190	46.40	9.3	1.80		13	350	71.75		6.1	0.80	GS57	6P	14		328	67.20	6.3		0.85		GSF57	16	284	56.61	6.8			1.00	GSA57		19	285	47.32		6.8	0.90	GSAF57		21	266	44.22	6.9		1.00			13	354	110.73	6.1	0.80	GS57 GSF57 GSA57 GSAF57	4P		15	305			94.08	6.6	0.95			17		276		84.00	6.8	1.05				19	240	71.75	7.1	1.15		21			226	67.20	7.2	1.20		25	217	54.59	7.3	1.25		29	189	47.32	7.4	1.30		31	178	44.22	7.5	1.35		36	155	38.23	7.6	1.40																																																																																																																																	
84	52	16.48	2.2	1.10				90	49	15.45			2.1	1.10		102			43	13.63	2.1	1.15				115	38	12.08			2.1	1.20		135	33	10.27			2.0	1.30		145	31	9.57			2.0	1.30		184	25	7.57			1.9	1.45		95	42	28.76			2.3	1.15		108	38	25.38	2.2	1.20		122	34	22.50	2.2	1.25		143	29	19.13	2.0	1.30		145	30	18.85	2.0	1.30		166	26	16.48	1.9	1.35		177	25	15.45	1.9	1.35		201	22	13.63	1.9	1.45		227	20	12.08	1.7	1.50		267	17	10.27	1.7	1.60		286	16	9.57	1.6	1.60		362	13	7.57	1.6	1.75		0.75kW							0.75kW							0.63	7506	2208	40	0.85	GS100R77 GSF100R77 GSA100R77 GSAF100R77	4P	4.0	1014	225.26	12	1.10	GS77			6P	0.71	6628	1950	40	1.00					0.79	6015	1769	40				1.05		0.91	5170	1521	40			1.25		1.05	4513	1327	40	1.45		1.23	3827	1126	40	1.55		1.1	4323	1223	20	0.85	GS37 GSF37 GSA37 GSAF37	2P	6.2	692	225.26	14	1.55	GS77			4P	1.3	3804	1070			29	1.00			1.5	3319				928	32	1.15		1.7			2965	824	33	1.30		1.9	2117			714	34	1.75		2.2	2280	626	34	1.70		2.6	1960	538	34	1.85		2.9	1789	484	34	1.95				7.3	660	190.11			7.2	0.80		7.7			627	180.60	7.5	0.85				8.8	498	158.45			8.1	1.00		10	428	134.40			8.7	1.15		11	392	121.33			9.0	1.25	GS67	4P	13	350			106.75	9.3	1.40		GSF67	14	334	100.80	9.4		1.40	GSA67	16	289	85.83	10	1.50	GSAF67	19		299	75.06	10	1.50		21		263	65.63	10	1.55		22	252	62.35		10	1.60		25	223	54.70	10	1.65		30	190	46.40	9.3	1.80		13	350	71.75	6.1	0.80	GS57	6P	14	328	67.20		6.3	0.85	GSF57		16		284	56.61	6.8		1.00		GSA57	19	285	47.32	6.8			0.90	GSAF57		21	266	44.22		6.9	1.00			13	354	110.73	6.1	0.80	GS57 GSF57 GSA57 GSAF57	4P		15	305	94.08	6.6	0.95					17			276	84.00	6.8	1.05		19		240		71.75	7.1	1.15				21	226	67.20	7.2	1.20		25			217	54.59	7.3	1.25		29	189	47.32	7.4	1.30		31	178	44.22	7.5	1.35		36	155	38.23	7.6	1.40																																																																																																																																							
90	49	15.45	2.1	1.10				102	43	13.63			2.1	1.15		115			38	12.08	2.1	1.20				135	33	10.27			2.0	1.30		145	31	9.57			2.0	1.30		184	25	7.57			1.9	1.45		95	42	28.76			2.3	1.15		108	38	25.38	2.2	1.20		122	34	22.50	2.2	1.25		143	29	19.13	2.0	1.30		145	30	18.85	2.0	1.30		166	26	16.48	1.9	1.35		177	25	15.45	1.9	1.35		201	22	13.63	1.9	1.45		227	20	12.08	1.7	1.50		267	17	10.27	1.7	1.60		286	16	9.57	1.6	1.60		362	13	7.57	1.6	1.75		0.75kW							0.75kW							0.63	7506	2208	40	0.85	GS100R77 GSF100R77 GSA100R77 GSAF100R77	4P	4.0	1014	225.26	12	1.10	GS77			6P	0.71	6628	1950	40	1.00					0.79	6015	1769	40				1.05		0.91	5170	1521			40	1.25		1.05	4513	1327	40	1.45		1.23	3827	1126	40	1.55		1.1	4323	1223	20	0.85	GS37 GSF37 GSA37 GSAF37	2P	6.2	692	225.26	14	1.55	GS77			4P	1.3	3804	1070	29	1.00					1.5	3319			928	32		1.15		1.7			2965	824	33	1.30		1.9			2117	714	34	1.75		2.2	2280			626	34	1.70		2.6	1960	538	34	1.85		2.9	1789	484	34	1.95		7.3	660	190.11	7.2	0.80				7.7	627	180.60			7.5	0.85		8.8			498	158.45	8.1	1.00				10	428	134.40			8.7	1.15		11	392	121.33			9.0	1.25	GS67	4P	13	350			106.75	9.3	1.40		GSF67	14	334	100.80	9.4	1.40	GSA67		16	289	85.83	10	1.50		GSAF67	19	299	75.06	10	1.50		21	263		65.63	10	1.55		22	252		62.35	10	1.60		25	223	54.70	10		1.65		30	190	46.40	9.3	1.80		13	350	71.75	6.1	0.80	GS57	6P	14	328	67.20	6.3	0.85	GSF57		16	284	56.61		6.8	1.00	GSA57		19		285	47.32	6.8		0.90		GSAF57	21	266	44.22	6.9			1.00			13	354	110.73	6.1	0.80	GS57 GSF57 GSA57 GSAF57	4P		15	305	94.08	6.6	0.95					17	276	84.00	6.8			1.05		19			240	71.75	7.1	1.15		21		226		67.20	7.2	1.20				25	217	54.59	7.3	1.25		29			189	47.32	7.4	1.30		31	178	44.22	7.5	1.35		36	155	38.23	7.6	1.40																																																																																																																																													
102	43	13.63	2.1	1.15				115	38	12.08			2.1	1.20		135			33	10.27	2.0	1.30				145	31	9.57			2.0	1.30		184	25	7.57			1.9	1.45		95	42	28.76			2.3	1.15		108	38	25.38	2.2	1.20		122	34	22.50	2.2	1.25		143	29	19.13	2.0	1.30		145	30	18.85	2.0	1.30		166	26	16.48	1.9	1.35		177	25	15.45	1.9	1.35		201	22	13.63	1.9	1.45		227	20	12.08	1.7	1.50		267	17	10.27	1.7	1.60		286	16	9.57	1.6	1.60		362	13	7.57	1.6	1.75		0.75kW							0.75kW							0.63	7506	2208	40	0.85	GS100R77 GSF100R77 GSA100R77 GSAF100R77	4P	4.0	1014	225.26	12	1.10	GS77			6P	0.71	6628	1950	40	1.00					0.79	6015	1769	40				1.05		0.91	5170	1521			40	1.25		1.05	4513	1327	40	1.45		1.23	3827	1126	40	1.55		1.1	4323	1223	20	0.85	GS37 GSF37 GSA37 GSAF37	2P	6.2	692	225.26	14	1.55	GS77			4P	1.3	3804	1070	29	1.00					1.5	3319	928	32				1.15		1.7			2965	824	33	1.30		1.9			2117	714	34	1.75		2.2			2280	626	34	1.70		2.6	1960			538	34	1.85		2.9	1789	484	34	1.95		7.3	660	190.11	7.2	0.80		7.7	627	180.60	7.5	0.85				8.8	498	158.45			8.1	1.00		10			428	134.40	8.7	1.15				11	392	121.33			9.0	1.25	GS67	4P	13	350			106.75	9.3	1.40		GSF67	14	334	100.80	9.4	1.40	GSA67		16	289	85.83	10	1.50	GSAF67	19		299	75.06	10	1.50			21	263	65.63	10	1.55		22	252	62.35		10	1.60		25	223	54.70		10	1.65		30	190	46.40	9.3	1.80			13	350	71.75	6.1	0.80	GS57	6P	14	328	67.20	6.3	0.85	GSF57		16	284	56.61	6.8	1.00	GSA57		19	285	47.32		6.8	0.90	GSAF57		21		266	44.22	6.9		1.00			13	354	110.73	6.1		0.80	GS57 GSF57 GSA57 GSAF57	4P		15	305	94.08	6.6	0.95					17	276	84.00	6.8			1.05		19	240	71.75	7.1			1.15		21			226	67.20	7.2	1.20		25		217		54.59	7.3	1.25				29	189	47.32	7.4	1.30		31			178	44.22	7.5	1.35		36	155	38.23	7.6	1.40																																																																																																																																																			
115	38	12.08	2.1	1.20				135	33	10.27			2.0	1.30		145			31	9.57	2.0	1.30				184	25	7.57			1.9	1.45		95	42	28.76			2.3	1.15		108	38	25.38	2.2	1.20		122	34	22.50	2.2	1.25		143	29	19.13	2.0	1.30		145	30	18.85	2.0	1.30		166	26	16.48	1.9	1.35		177	25	15.45	1.9	1.35		201	22	13.63	1.9	1.45		227	20	12.08	1.7	1.50		267	17	10.27	1.7	1.60		286	16	9.57	1.6	1.60		362	13	7.57	1.6	1.75		0.75kW							0.75kW							0.63	7506	2208	40	0.85	GS100R77 GSF100R77 GSA100R77 GSAF100R77	4P	4.0	1014	225.26	12	1.10	GS77			6P	0.71	6628	1950	40	1.00					0.79	6015	1769	40				1.05		0.91	5170	1521			40	1.25		1.05	4513	1327	40	1.45		1.23	3827	1126	40	1.55		1.1	4323	1223	20	0.85	GS37 GSF37 GSA37 GSAF37	2P	6.2	692	225.26	14	1.55	GS77			4P	1.3	3804	1070	29	1.00					1.5	3319	928	32				1.15		1.7	2965	824			33	1.30		1.9			2117	714	34	1.75		2.2			2280	626	34	1.70		2.6			1960	538	34	1.85		2.9	1789			484	34	1.95		7.3	660	190.11	7.2	0.80		7.7	627	180.60	7.5	0.85		8.8	498	158.45	8.1	1.00				10	428	134.40			8.7	1.15		11			392	121.33	9.0	1.25			GS67	4P	13	350			106.75	9.3	1.40		GSF67	14	334	100.80	9.4	1.40	GSA67		16	289	85.83	10	1.50	GSAF67	19		299	75.06	10	1.50		21	263		65.63	10	1.55		22		252	62.35	10	1.60		25	223	54.70	10		1.65		30	190	46.40	9.3		1.80		13	350	71.75	6.1	0.80	GS57		6P	14	328	67.20	6.3	0.85	GSF57		16	284	56.61	6.8	1.00	GSA57		19	285	47.32	6.8	0.90	GSAF57		21	266	44.22		6.9	1.00			13		354	110.73	6.1	0.80	GS57 GSF57 GSA57 GSAF57		4P	15	305	94.08	6.6		0.95					17	276	84.00	6.8			1.05		19	240	71.75	7.1			1.15		21	226	67.20	7.2			1.20		25			217	54.59	7.3	1.25		29		189		47.32	7.4	1.30				31	178	44.22	7.5	1.35		36			155	38.23	7.6	1.40																																																																																																																																																									
135	33	10.27	2.0	1.30				145	31	9.57			2.0	1.30		184			25	7.57	1.9	1.45				95	42	28.76			2.3	1.15		108	38	25.38	2.2	1.20		122	34	22.50	2.2	1.25		143	29	19.13	2.0	1.30		145	30	18.85	2.0	1.30		166	26	16.48	1.9	1.35		177	25	15.45	1.9	1.35		201	22	13.63	1.9	1.45		227	20	12.08	1.7	1.50		267	17	10.27	1.7	1.60		286	16	9.57	1.6	1.60		362	13	7.57	1.6	1.75		0.75kW							0.75kW							0.63	7506	2208	40	0.85	GS100R77 GSF100R77 GSA100R77 GSAF100R77	4P	4.0	1014	225.26	12	1.10	GS77			6P	0.71	6628	1950	40	1.00					0.79	6015	1769	40				1.05		0.91	5170	1521			40	1.25		1.05	4513	1327	40	1.45		1.23	3827	1126	40	1.55		1.1	4323	1223	20	0.85	GS37 GSF37 GSA37 GSAF37	2P	6.2	692	225.26	14	1.55	GS77			4P	1.3	3804	1070	29	1.00					1.5	3319	928	32				1.15		1.7	2965	824			33	1.30		1.9	2117	714			34	1.75		2.2			2280	626	34	1.70		2.6			1960	538	34	1.85		2.9			1789	484	34	1.95		7.3	660			190.11	7.2	0.80		7.7	627	180.60	7.5	0.85		8.8	498	158.45	8.1	1.00		10	428	134.40	8.7	1.15				11	392	121.33			9.0	1.25	GS67	4P			13	350	106.75	9.3			1.40		GSF67	14	334	100.80	9.4	1.40	GSA67		16	289	85.83	10	1.50	GSAF67	19		299	75.06	10	1.50		21	263		65.63	10	1.55		22	252	62.35		10	1.60		25	223		54.70	10	1.65		30	190	46.40	9.3	1.80			13	350	71.75	6.1	0.80		GS57	6P	14	328	67.20	6.3	0.85	GSF57			16	284	56.61	6.8	1.00	GSA57		19	285	47.32	6.8	0.90	GSAF57		21	266	44.22	6.9	1.00			13	354	110.73		6.1	0.80	GS57 GSF57 GSA57 GSAF57	4P	15		305	94.08	6.6	0.95					17	276	84.00		6.8			1.05		19	240	71.75	7.1			1.15		21	226	67.20	7.2			1.20		25	217	54.59	7.3			1.25		29			189	47.32	7.4	1.30		31		178		44.22	7.5	1.35				36	155	38.23	7.6	1.40																																																																																																																																																																	
145	31	9.57	2.0	1.30				184	25	7.57			1.9	1.45		95			42	28.76	2.3	1.15				108	38	25.38	2.2	1.20		122	34	22.50	2.2	1.25		143	29	19.13	2.0	1.30		145	30	18.85	2.0	1.30		166	26	16.48	1.9	1.35		177	25	15.45	1.9	1.35		201	22	13.63	1.9	1.45		227	20	12.08	1.7	1.50		267	17	10.27	1.7	1.60		286	16	9.57	1.6	1.60		362	13	7.57	1.6	1.75		0.75kW							0.75kW							0.63	7506	2208	40	0.85	GS100R77 GSF100R77 GSA100R77 GSAF100R77	4P	4.0	1014	225.26	12	1.10	GS77			6P	0.71	6628	1950	40	1.00					0.79	6015	1769	40				1.05		0.91	5170	1521			40	1.25		1.05	4513	1327	40	1.45		1.23	3827	1126	40	1.55		1.1	4323	1223	20	0.85	GS37 GSF37 GSA37 GSAF37	2P	6.2	692	225.26	14	1.55	GS77			4P	1.3	3804	1070	29	1.00					1.5	3319	928	32				1.15		1.7	2965	824			33	1.30		1.9	2117	714			34	1.75		2.2	2280	626			34	1.70		2.6			1960	538	34	1.85		2.9			1789	484	34	1.95		7.3			660	190.11	7.2	0.80		7.7	627			180.60	7.5	0.85		8.8	498	158.45	8.1	1.00		10	428	134.40	8.7	1.15		11	392	121.33	9.0	1.25			GS67	4P	13	350			106.75	9.3	1.40				GSF67	14	334	100.80	9.4	1.40	GSA67		16	289	85.83	10	1.50	GSAF67	19		299	75.06	10	1.50		21	263		65.63	10	1.55		22	252	62.35		10	1.60		25	223	54.70	10		1.65		30	190	46.40		9.3	1.80		13	350	71.75	6.1	0.80	GS57		6P	14	328	67.20	6.3	0.85		GSF57		16	284	56.61	6.8	1.00	GSA57			19	285	47.32	6.8	0.90	GSAF57		21	266	44.22	6.9	1.00			13	354	110.73	6.1	0.80	GS57 GSF57 GSA57 GSAF57	4P	15	305	94.08		6.6	0.95					17	276	84.00	6.8				1.05		19	240	71.75	7.1			1.15		21	226	67.20	7.2			1.20		25	217	54.59	7.3			1.25		29	189	47.32	7.4			1.30		31			178	44.22	7.5	1.35		36		155		38.23	7.6	1.40																																																																																																																																																																									
184	25	7.57	1.9	1.45				95	42	28.76			2.3	1.15		108			38	25.38	2.2	1.20		122	34	22.50	2.2	1.25		143	29	19.13	2.0	1.30		145	30	18.85	2.0	1.30		166	26	16.48	1.9	1.35		177	25	15.45	1.9	1.35		201	22	13.63	1.9	1.45		227	20	12.08	1.7	1.50		267	17	10.27	1.7	1.60		286	16	9.57	1.6	1.60		362	13	7.57	1.6	1.75		0.75kW							0.75kW							0.63	7506	2208	40	0.85	GS100R77 GSF100R77 GSA100R77 GSAF100R77	4P	4.0	1014	225.26	12	1.10	GS77			6P	0.71	6628	1950	40	1.00					0.79	6015	1769	40				1.05		0.91	5170	1521			40	1.25		1.05	4513	1327	40	1.45		1.23	3827	1126	40	1.55		1.1	4323	1223	20	0.85	GS37 GSF37 GSA37 GSAF37	2P	6.2	692	225.26	14	1.55	GS77			4P	1.3	3804	1070	29	1.00					1.5	3319	928	32				1.15		1.7	2965	824			33	1.30		1.9	2117	714			34	1.75		2.2	2280	626			34	1.70		2.6	1960	538			34	1.85		2.9			1789	484	34	1.95		7.3			660	190.11	7.2	0.80		7.7			627	180.60	7.5	0.85		8.8	498			158.45	8.1	1.00		10	428	134.40	8.7	1.15		11	392	121.33	9.0	1.25	GS67	4P	13	350	106.75	9.3			1.40		GSF67	14			334	100.80	9.4		1.40	GSA67	16	289	85.83	10	1.50	GSAF67	19		299	75.06	10	1.50		21	263		65.63	10	1.55		22	252	62.35		10	1.60		25	223	54.70	10		1.65		30	190	46.40	9.3	1.80			13	350	71.75	6.1		0.80	GS57	6P	14	328	67.20	6.3	0.85	GSF57			16	284	56.61	6.8	1.00		GSA57		19	285	47.32	6.8	0.90	GSAF57			21	266	44.22	6.9	1.00			13	354	110.73	6.1	0.80	GS57 GSF57 GSA57 GSAF57	4P	15	305	94.08	6.6	0.95				17	276		84.00	6.8			1.05			19	240	71.75		7.1		1.15		21	226	67.20	7.2			1.20		25	217	54.59	7.3			1.25		29	189	47.32	7.4			1.30		31	178	44.22	7.5			1.35		36			155	38.23	7.6	1.40																																																																																																																																																																																	
95	42	28.76	2.3	1.15				108	38	25.38			2.2	1.20		122	34	22.50	2.2	1.25		143	29	19.13	2.0	1.30		145	30	18.85	2.0	1.30		166	26	16.48	1.9	1.35		177	25	15.45	1.9	1.35		201	22	13.63	1.9	1.45		227	20	12.08	1.7	1.50		267	17	10.27	1.7	1.60		286	16	9.57	1.6	1.60		362	13	7.57	1.6	1.75		0.75kW							0.75kW							0.63	7506	2208	40	0.85	GS100R77 GSF100R77 GSA100R77 GSAF100R77	4P	4.0	1014	225.26	12	1.10	GS77			6P	0.71	6628	1950	40	1.00					0.79	6015	1769	40				1.05		0.91	5170	1521			40	1.25		1.05	4513	1327	40	1.45		1.23	3827	1126	40	1.55		1.1	4323	1223	20	0.85	GS37 GSF37 GSA37 GSAF37	2P	6.2	692	225.26	14	1.55	GS77			4P	1.3	3804	1070	29	1.00					1.5	3319	928	32				1.15		1.7	2965	824			33	1.30		1.9	2117	714			34	1.75		2.2	2280	626			34	1.70		2.6	1960	538			34	1.85		2.9	1789	484			34	1.95		7.3			660	190.11	7.2	0.80		7.7			627	180.60	7.5	0.85		8.8			498	158.45	8.1	1.00		10	428			134.40	8.7	1.15		11	392	121.33	9.0	1.25	GS67	4P	13	350	106.75	9.3	1.40		GSF67	14	334	100.80			9.4		1.40	GSA67	16	289	85.83	10	1.50		GSAF67	19	299	75.06	10	1.50		21	263		65.63	10	1.55		22	252	62.35		10	1.60		25	223	54.70	10		1.65		30	190	46.40	9.3	1.80			13	350	71.75	6.1	0.80	GS57		6P	14	328	67.20	6.3		0.85	GSF57		16	284	56.61	6.8	1.00	GSA57			19	285	47.32	6.8	0.90		GSAF57		21	266	44.22	6.9	1.00				13	354	110.73	6.1	0.80	GS57 GSF57 GSA57 GSAF57	4P	15	305	94.08	6.6	0.95				17	276	84.00	6.8			1.05		19		240	71.75			7.1	1.15		21	226	67.20		7.2		1.20		25	217	54.59	7.3			1.25		29	189	47.32	7.4			1.30		31	178	44.22	7.5			1.35		36	155	38.23	7.6			1.40																																																																																																																																																																																									
108	38	25.38	2.2	1.20				122	34	22.50	2.2	1.25		143	29	19.13	2.0	1.30		145	30	18.85	2.0	1.30		166	26	16.48	1.9	1.35		177	25	15.45	1.9	1.35		201	22	13.63	1.9	1.45		227	20	12.08	1.7	1.50		267	17	10.27	1.7	1.60		286	16	9.57	1.6	1.60		362	13	7.57	1.6	1.75		0.75kW							0.75kW							0.63	7506	2208	40	0.85	GS100R77 GSF100R77 GSA100R77 GSAF100R77	4P	4.0	1014	225.26	12	1.10	GS77			6P	0.71	6628	1950	40	1.00					0.79	6015	1769	40				1.05		0.91	5170	1521			40	1.25		1.05	4513	1327	40	1.45		1.23	3827	1126	40	1.55		1.1	4323	1223	20	0.85	GS37 GSF37 GSA37 GSAF37	2P	6.2	692	225.26	14	1.55	GS77			4P	1.3	3804	1070	29	1.00					1.5	3319	928	32				1.15		1.7	2965	824			33	1.30		1.9	2117	714			34	1.75		2.2	2280	626			34	1.70		2.6	1960	538			34	1.85		2.9	1789	484			34	1.95		7.3	660	190.11			7.2	0.80		7.7			627	180.60	7.5	0.85		8.8			498	158.45	8.1	1.00		10			428	134.40	8.7	1.15		11	392			121.33	9.0	1.25	GS67	4P	13	350	106.75	9.3	1.40		GSF67	14	334	100.80	9.4		1.40	GSA67	16	289	85.83	10	1.50		GSAF67	19	299	75.06	10	1.50			21	263	65.63	10	1.55		22	252	62.35		10	1.60		25	223	54.70	10		1.65		30	190	46.40	9.3	1.80			13	350	71.75	6.1	0.80	GS57		6P	14	328	67.20	6.3	0.85	GSF57			16	284	56.61	6.8		1.00	GSA57		19	285	47.32	6.8	0.90	GSAF57			21	266	44.22	6.9	1.00				13	354	110.73	6.1	0.80	GS57 GSF57 GSA57 GSAF57		4P	15	305	94.08	6.6	0.95				17	276	84.00	6.8			1.05		19	240	71.75			7.1	1.15		21	226	67.20			7.2	1.20		25	217	54.59		7.3		1.25		29	189	47.32	7.4			1.30		31	178	44.22	7.5			1.35		36	155	38.23	7.6			1.40																																																																																																																																																																																																	
122	34	22.50	2.2	1.25		143	29	19.13	2.0	1.30		145	30	18.85	2.0	1.30		166	26	16.48	1.9	1.35		177	25	15.45	1.9	1.35		201	22	13.63	1.9	1.45		227	20	12.08	1.7	1.50		267	17	10.27	1.7	1.60		286	16	9.57	1.6	1.60		362	13	7.57	1.6	1.75		0.75kW							0.75kW							0.63	7506	2208	40	0.85	GS100R77 GSF100R77 GSA100R77 GSAF100R77	4P	4.0	1014	225.26	12	1.10	GS77			6P	0.71	6628	1950	40	1.00					0.79	6015	1769	40				1.05		0.91	5170	1521			40	1.25		1.05	4513	1327	40	1.45		1.23	3827	1126	40	1.55		1.1	4323	1223	20	0.85	GS37 GSF37 GSA37 GSAF37	2P	6.2	692	225.26	14	1.55	GS77			4P	1.3	3804	1070	29	1.00					1.5	3319	928	32				1.15		1.7	2965	824			33	1.30		1.9	2117	714			34	1.75		2.2	2280	626			34	1.70		2.6	1960	538			34	1.85		2.9	1789	484			34	1.95		7.3	660	190.11			7.2	0.80		7.7	627	180.60			7.5	0.85		8.8			498	158.45	8.1	1.00		10			428	134.40	8.7	1.15		11			392	121.33	9.0	1.25	GS67	4P	13			350	106.75	9.3	1.40		GSF67	14	334	100.80	9.4		1.40	GSA67	16	289	85.83		10	1.50	GSAF67	19	299	75.06	10		1.50		21	263	65.63	10	1.55			22	252	62.35	10	1.60		25	223		54.70	10	1.65		30	190	46.40		9.3	1.80		13	350	71.75	6.1		0.80	GS57	6P	14	328	67.20	6.3			0.85	GSF57	16	284	56.61	6.8			1.00	GSA57	19	285		47.32	6.8		0.90	GSAF57	21	266	44.22	6.9			1.00		13	354	110.73		6.1	0.80	GS57 GSF57 GSA57 GSAF57	4P	15	305	94.08				6.6	0.95		17	276			84.00	6.8	1.05		19			240	71.75	7.1	1.15				21	226	67.20	7.2	1.20				25	217	54.59	7.3	1.25			29		189	47.32	7.4	1.30		31			178	44.22	7.5	1.35		36			155	38.23	7.6	1.40																																																																																																																																																																																																						
143	29	19.13	2.0	1.30		145	30	18.85	2.0	1.30		166	26	16.48	1.9	1.35		177	25	15.45	1.9	1.35		201	22	13.63	1.9	1.45		227	20	12.08	1.7	1.50		267	17	10.27	1.7	1.60		286	16	9.57	1.6	1.60		362	13	7.57	1.6	1.75		0.75kW							0.75kW							0.63	7506	2208	40	0.85	GS100R77 GSF100R77 GSA100R77 GSAF100R77	4P	4.0	1014	225.26	12			1.10	GS77	6P	0.71	6628	1950				40	1.00		0.79	6015				1769	40	1.05		0.91			5170	1521	40	1.25		1.05	4513	1327	40	1.45		1.23	3827	1126	40	1.55		1.1	4323	1223	20	0.85	GS37 GSF37 GSA37 GSAF37	2P	6.2	692	225.26	14			1.55	GS77	4P	1.3	3804	1070				29	1.00		1.5	3319				928	32	1.15		1.7			2965	824	33	1.30		1.9			2117	714	34	1.75		2.2			2280	626	34	1.70		2.6			1960	538	34	1.85		2.9			1789	484	34	1.95		7.3			660	190.11	7.2	0.80		7.7			627	180.60	7.5	0.85		8.8			498	158.45	8.1	1.00				10	428	134.40	8.7	1.15				11	392	121.33	9.0	1.25			GS67	4P	13	350	106.75		9.3	1.40	GSF67	14	334	100.80	9.4		1.40	GSA67	16	289	85.83		10	1.50	GSAF67	19	299		75.06	10	1.50		21	263	65.63		10	1.55		22	252	62.35	10		1.60		25	223	54.70	10	1.65		30		190	46.40	9.3	1.80		13	350		71.75	6.1	0.80	GS57	6P	14	328		67.20	6.3		0.85	GSF57	16	284			56.61	6.8	1.00	GSA57	19	285			47.32	6.8	0.90	GSAF57		21	266		44.22	6.9	1.00		13	354		110.73	6.1	0.80	GS57 GSF57 GSA57 GSAF57	4P	15		305	94.08			6.6	0.95			17		276	84.00	6.8	1.05				19	240	71.75	7.1	1.15				21	226	67.20	7.2			1.20		25	217	54.59	7.3			1.25		29	189	47.32	7.4		1.30			31	178	44.22	7.5	1.35				36	155	38.23	7.6	1.40																																																																																																																																																																																																												
145	30	18.85	2.0	1.30		166	26	16.48	1.9	1.35		177	25	15.45	1.9	1.35		201	22	13.63	1.9	1.45		227	20	12.08	1.7	1.50		267	17	10.27	1.7	1.60		286	16	9.57	1.6	1.60		362	13	7.57	1.6	1.75		0.75kW							0.75kW							0.63	7506	2208	40	0.85	GS100R77 GSF100R77 GSA100R77 GSAF100R77	4P	4.0	1014	225.26	12			1.10	GS77	6P	0.71			6628	1950		40	1.00					0.79	6015	1769	40	1.05				0.91	5170	1521	40	1.25		1.05	4513	1327	40	1.45		1.23	3827	1126	40	1.55		1.1	4323	1223	20	0.85	GS37 GSF37 GSA37 GSAF37	2P	6.2	692	225.26	14			1.55	GS77	4P	1.3			3804	1070		29	1.00					1.5	3319	928	32	1.15				1.7	2965	824	33	1.30				1.9	2117	714	34	1.75				2.2	2280	626	34	1.70				2.6	1960	538	34	1.85				2.9	1789	484	34	1.95				7.3	660	190.11	7.2	0.80				7.7	627	180.60	7.5	0.85				8.8	498	158.45	8.1	1.00				10	428	134.40			8.7	1.15		11	392	121.33			9.0	1.25	GS67	4P	13	350	106.75	9.3	1.40		GSF67	14	334		100.80	9.4	1.40	GSA67	16	289	85.83		10	1.50	GSAF67	19	299		75.06	10	1.50		21		263	65.63	10	1.55		22	252		62.35	10	1.60		25	223	54.70		10	1.65		30	190	46.40	9.3	1.80			13	350	71.75	6.1	0.80	GS57	6P		14	328	67.20	6.3		0.85	GSF57		16	284		56.61	6.8	1.00	GSA57			19	285	47.32	6.8	0.90	GSAF57			21	266	44.22	6.9		1.00		13	354	110.73	6.1	0.80	GS57 GSF57 GSA57 GSAF57	4P		15	305	94.08			6.6	0.95		17			276	84.00	6.8		1.05			19	240	71.75	7.1			1.15		21	226	67.20			7.2	1.20		25	217			54.59	7.3	1.25		29	189			47.32	7.4	1.30		31	178		44.22		7.5	1.35		36	155	38.23			7.6	1.40																																																																																																																																																																																																																
166	26	16.48	1.9	1.35		177	25	15.45	1.9	1.35		201	22	13.63	1.9	1.45		227	20	12.08	1.7	1.50		267	17	10.27	1.7	1.60		286	16	9.57	1.6	1.60		362	13	7.57	1.6	1.75		0.75kW							0.75kW							0.63	7506	2208	40	0.85	GS100R77 GSF100R77 GSA100R77 GSAF100R77	4P	4.0	1014	225.26	12			1.10	GS77	6P	0.71			6628	1950		40			1.00			0.79	6015	1769			40	1.05		0.91	5170	1521	40	1.25		1.05	4513	1327	40	1.45		1.23	3827	1126	40	1.55		1.1	4323	1223	20	0.85	GS37 GSF37 GSA37 GSAF37	2P	6.2	692	225.26	14			1.55	GS77	4P	1.3			3804	1070		29			1.00			1.5	3319	928			32	1.15		1.7	2965	824			33	1.30		1.9	2117	714			34	1.75		2.2	2280	626			34	1.70		2.6	1960	538			34	1.85		2.9	1789	484			34	1.95		7.3	660	190.11			7.2	0.80		7.7	627	180.60			7.5	0.85		8.8	498	158.45			8.1	1.00		10	428	134.40			8.7	1.15		11			392	121.33	9.0	1.25	GS67	4P	13	350	106.75	9.3	1.40		GSF67	14	334	100.80	9.4		1.40	GSA67	16		289	85.83	10	1.50	GSAF67	19	299		75.06	10	1.50		21		263	65.63	10	1.55			22	252	62.35	10	1.60		25		223	54.70	10	1.65		30	190		46.40	9.3	1.80		13	350	71.75	6.1	0.80		GS57	6P	14	328	67.20	6.3			0.85	GSF57	16	284		56.61	6.8		1.00	GSA57		19	285	47.32	6.8			0.90	GSAF57	21	266	44.22	6.9		1.00		13	354	110.73		6.1	0.80	GS57 GSF57 GSA57 GSAF57	4P	15	305	94.08			6.6	0.95		17			276	84.00	6.8	1.05				19	240		71.75		7.1	1.15		21	226			67.20	7.2	1.20		25			217	54.59	7.3	1.25				29	189	47.32	7.4	1.30				31	178	44.22	7.5	1.35			36		155	38.23	7.6	1.40																																																																																																																																																																																																																						
177	25	15.45	1.9	1.35		201	22	13.63	1.9	1.45		227	20	12.08	1.7	1.50		267	17	10.27	1.7	1.60		286	16	9.57	1.6	1.60		362	13	7.57	1.6	1.75		0.75kW							0.75kW							0.63	7506	2208	40	0.85	GS100R77 GSF100R77 GSA100R77 GSAF100R77	4P	4.0	1014	225.26	12			1.10	GS77	6P	0.71			6628	1950		40			1.00			0.79			6015	1769	40	1.05		0.91	5170	1521	40	1.25		1.05	4513	1327	40	1.45		1.23	3827	1126	40	1.55		1.1	4323	1223	20	0.85	GS37 GSF37 GSA37 GSAF37	2P	6.2	692	225.26	14			1.55	GS77	4P	1.3			3804	1070		29			1.00			1.5			3319	928	32	1.15		1.7			2965	824	33	1.30		1.9			2117	714	34	1.75		2.2			2280	626	34	1.70		2.6			1960	538	34	1.85		2.9			1789	484	34	1.95		7.3			660	190.11	7.2	0.80		7.7			627	180.60	7.5	0.85		8.8			498	158.45	8.1	1.00		10			428	134.40	8.7	1.15		11			392	121.33	9.0	1.25	GS67	4P	13	350	106.75	9.3	1.40		GSF67	14	334	100.80	9.4		1.40	GSA67	16	289	85.83		10	1.50	GSAF67		19	299	75.06	10	1.50		21		263	65.63	10	1.55			22	252	62.35	10	1.60			25	223	54.70	10	1.65			30	190	46.40	9.3	1.80		13		350	71.75	6.1	0.80	GS57	6P	14	328	67.20		6.3		0.85	GSF57	16	284			56.61	6.8	1.00	GSA57		19	285		47.32	6.8		0.90	GSAF57	21	266		44.22	6.9	1.00		13	354	110.73		6.1	0.80	GS57 GSF57 GSA57 GSAF57	4P	15	305	94.08	6.6			0.95		17			276	84.00	6.8	1.05				19	240	71.75			7.1	1.15			21		226	67.20	7.2	1.20				25	217	54.59	7.3	1.25				29	189	47.32	7.4			1.30		31	178	44.22	7.5			1.35		36	155	38.23	7.6		1.40																																																																																																																																																																																																																											
201	22	13.63	1.9	1.45		227	20	12.08	1.7	1.50		267	17	10.27	1.7	1.60		286	16	9.57	1.6	1.60		362	13	7.57	1.6	1.75		0.75kW							0.75kW							0.63	7506	2208	40	0.85	GS100R77 GSF100R77 GSA100R77 GSAF100R77	4P	4.0	1014	225.26	12			1.10	GS77	6P	0.71			6628	1950		40			1.00			0.79			6015	1769	40	1.05		0.91	5170	1521	40	1.25		1.05	4513	1327	40	1.45		1.23	3827	1126	40	1.55		1.1	4323	1223	20	0.85	GS37 GSF37 GSA37 GSAF37	2P	6.2	692	225.26	14			1.55	GS77	4P	1.3			3804	1070		29			1.00			1.5			3319	928	32	1.15				1.7	2965	824	33	1.30				1.9	2117	714	34	1.75				2.2	2280	626	34	1.70				2.6	1960	538	34	1.85				2.9	1789	484	34	1.95				7.3	660	190.11	7.2	0.80				7.7	627	180.60	7.5	0.85				8.8	498	158.45	8.1	1.00				10	428	134.40	8.7	1.15				11	392	121.33	9.0	1.25	GS67	4P	13	350	106.75	9.3	1.40		GSF67	14	334	100.80	9.4		1.40	GSA67	16	289	85.83		10	1.50	GSAF67	19	299		75.06	10	1.50			21	263	65.63	10	1.55			22	252	62.35	10	1.60			25	223	54.70	10		1.65		30	190	46.40	9.3	1.80			13	350	71.75	6.1	0.80	GS57		6P	14	328	67.20	6.3		0.85	GSF57	16		284		56.61	6.8	1.00	GSA57			19	285	47.32	6.8		0.90	GSAF57		21	266	44.22	6.9	1.00		13		354	110.73	6.1	0.80	GS57 GSF57 GSA57 GSAF57	4P	15	305	94.08	6.6			0.95		17	276			84.00	6.8	1.05				19	240	71.75			7.1	1.15		21			226	67.20	7.2		1.20			25	217	54.59	7.3			1.25		29	189	47.32			7.4	1.30		31	178			44.22	7.5	1.35		36	155			38.23	7.6	1.40																																																																																																																																																																																																																																
227	20	12.08	1.7	1.50		267	17	10.27	1.7	1.60		286	16	9.57	1.6	1.60		362	13	7.57	1.6	1.75		0.75kW							0.75kW							0.63	7506	2208	40	0.85	GS100R77 GSF100R77 GSA100R77 GSAF100R77	4P	4.0	1014	225.26	12			1.10	GS77	6P	0.71			6628	1950		40			1.00			0.79			6015	1769	40	1.05		0.91	5170	1521	40	1.25		1.05	4513	1327	40	1.45		1.23	3827	1126	40	1.55		1.1	4323	1223	20	0.85	GS37 GSF37 GSA37 GSAF37	2P	6.2	692	225.26	14			1.55	GS77	4P	1.3			3804	1070		29			1.00			1.5			3319	928	32	1.15				1.7	2965	824			33	1.30		1.9	2117	714			34	1.75		2.2	2280	626			34	1.70		2.6	1960	538			34	1.85		2.9	1789	484			34	1.95		7.3	660	190.11			7.2	0.80		7.7	627	180.60			7.5	0.85		8.8	498	158.45			8.1	1.00		10	428	134.40			8.7	1.15		11	392	121.33	9.0	1.25	GS67	4P	13	350	106.75	9.3	1.40		GSF67	14	334	100.80	9.4		1.40	GSA67	16	289	85.83		10	1.50	GSAF67	19	299		75.06	10	1.50		21		263	65.63	10		1.55		22	252	62.35	10	1.60			25	223	54.70	10		1.65		30	190	46.40		9.3	1.80		13	350	71.75	6.1		0.80	GS57	6P	14	328	67.20	6.3			0.85	GSF57	16	284		56.61	6.8	1.00		GSA57		19	285	47.32	6.8			0.90	GSAF57	21	266	44.22	6.9	1.00			13	354	110.73	6.1	0.80	GS57 GSF57 GSA57 GSAF57	4P	15	305	94.08	6.6			0.95		17	276			84.00	6.8	1.05				19	240	71.75			7.1	1.15		21			226	67.20	7.2	1.20				25	217		54.59		7.3	1.25		29	189			47.32	7.4	1.30		31			178	44.22	7.5	1.35				36	155	38.23	7.6	1.40																																																																																																																																																																																																																																						
267	17	10.27	1.7	1.60		286	16	9.57	1.6	1.60		362	13	7.57	1.6	1.75		0.75kW							0.75kW							0.63	7506	2208	40	0.85	GS100R77 GSF100R77 GSA100R77 GSAF100R77	4P	4.0	1014	225.26	12			1.10	GS77	6P	0.71			6628	1950		40			1.00			0.79			6015	1769	40	1.05		0.91	5170	1521	40	1.25		1.05	4513	1327	40	1.45		1.23	3827	1126	40	1.55		1.1	4323	1223	20	0.85	GS37 GSF37 GSA37 GSAF37	2P	6.2	692	225.26	14			1.55	GS77	4P	1.3			3804	1070		29			1.00			1.5			3319	928	32	1.15				1.7	2965	824			33	1.30		1.9			2117	714	34	1.75		2.2			2280	626	34	1.70		2.6			1960	538	34	1.85		2.9			1789	484	34	1.95		7.3			660	190.11	7.2	0.80		7.7			627	180.60	7.5	0.85		8.8			498	158.45	8.1	1.00		10			428	134.40	8.7	1.15		11	392	121.33	9.0	1.25	GS67	4P	13	350	106.75	9.3	1.40		GSF67	14	334	100.80	9.4		1.40	GSA67	16	289	85.83		10	1.50	GSAF67	19	299		75.06	10	1.50		21		263	65.63	10	1.55			22	252	62.35		10	1.60		25	223	54.70	10		1.65		30	190	46.40		9.3	1.80		13	350		71.75	6.1	0.80	GS57	6P	14	328		67.20	6.3		0.85	GSF57	16	284			56.61	6.8	1.00	GSA57		19	285	47.32		6.8		0.90	GSAF57	21	266	44.22		6.9	1.00		13	354	110.73	6.1	0.80	GS57 GSF57 GSA57 GSAF57	4P	15	305	94.08	6.6			0.95		17	276			84.00	6.8	1.05				19	240	71.75	7.1			1.15		21			226	67.20	7.2	1.20				25	217	54.59			7.3	1.25			29		189	47.32	7.4	1.30				31	178	44.22	7.5	1.35				36	155	38.23	7.6			1.40																																																																																																																																																																																																																																										
286	16	9.57	1.6	1.60		362	13	7.57	1.6	1.75		0.75kW							0.75kW							0.63	7506	2208	40	0.85	GS100R77 GSF100R77 GSA100R77 GSAF100R77	4P	4.0	1014	225.26	12			1.10	GS77	6P	0.71			6628	1950		40			1.00			0.79			6015	1769	40	1.05		0.91	5170	1521	40	1.25		1.05	4513	1327	40	1.45		1.23	3827	1126	40	1.55		1.1	4323	1223	20	0.85	GS37 GSF37 GSA37 GSAF37	2P	6.2	692	225.26	14			1.55	GS77	4P	1.3			3804	1070		29			1.00			1.5			3319	928	32	1.15				1.7	2965	824			33	1.30		1.9			2117	714	34	1.75				2.2	2280	626	34	1.70				2.6	1960	538	34	1.85				2.9	1789	484	34	1.95				7.3	660	190.11	7.2	0.80				7.7	627	180.60	7.5	0.85				8.8	498	158.45	8.1	1.00				10	428	134.40	8.7	1.15		11	392	121.33	9.0	1.25	GS67	4P	13	350	106.75	9.3	1.40		GSF67	14	334	100.80	9.4		1.40	GSA67	16	289	85.83		10	1.50	GSAF67	19	299		75.06	10	1.50		21		263	65.63	10	1.55			22	252	62.35	10	1.60			25	223		54.70	10	1.65		30	190	46.40		9.3	1.80		13	350		71.75	6.1	0.80	GS57	6P		14	328	67.20	6.3		0.85	GSF57		16	284		56.61	6.8	1.00	GSA57			19	285	47.32	6.8		0.90	GSAF57	21		266	44.22	6.9	1.00		13	354	110.73	6.1	0.80	GS57 GSF57 GSA57 GSAF57	4P	15	305	94.08	6.6			0.95		17	276			84.00	6.8	1.05				19	240	71.75	7.1			1.15		21	226			67.20	7.2	1.20				25	217	54.59			7.3	1.25		29			189	47.32	7.4		1.30			31	178	44.22	7.5			1.35		36	155	38.23			7.6	1.40																																																																																																																																																																																																																																																
362	13	7.57	1.6	1.75		0.75kW							0.75kW							0.63	7506	2208	40	0.85	GS100R77 GSF100R77 GSA100R77 GSAF100R77	4P	4.0	1014	225.26	12			1.10	GS77	6P	0.71			6628	1950		40			1.00			0.79			6015	1769	40	1.05		0.91	5170	1521	40	1.25		1.05	4513	1327	40	1.45		1.23	3827	1126	40	1.55		1.1	4323	1223	20	0.85	GS37 GSF37 GSA37 GSAF37	2P	6.2	692	225.26	14			1.55	GS77	4P	1.3			3804	1070		29			1.00			1.5			3319	928	32	1.15				1.7	2965	824			33	1.30		1.9			2117	714	34	1.75				2.2	2280	626			34	1.70		2.6	1960	538			34	1.85		2.9	1789	484			34	1.95		7.3	660	190.11			7.2	0.80		7.7	627	180.60			7.5	0.85		8.8	498	158.45			8.1	1.00		10	428	134.40	8.7	1.15		11	392	121.33	9.0	1.25	GS67	4P	13	350	106.75	9.3	1.40		GSF67	14	334	100.80	9.4		1.40	GSA67	16	289	85.83		10	1.50	GSAF67	19	299		75.06	10	1.50		21		263	65.63	10	1.55			22	252	62.35	10	1.60			25	223	54.70	10		1.65		30		190	46.40	9.3	1.80		13	350		71.75	6.1	0.80	GS57	6P		14	328	67.20	6.3			0.85	GSF57	16	284		56.61	6.8		1.00	GSA57		19	285	47.32	6.8			0.90	GSAF57	21	266	44.22	6.9	1.00		13	354	110.73	6.1	0.80	GS57 GSF57 GSA57 GSAF57	4P	15	305	94.08	6.6			0.95		17	276			84.00	6.8	1.05				19	240	71.75	7.1			1.15		21	226			67.20	7.2	1.20				25	217	54.59			7.3	1.25		29			189	47.32	7.4	1.30				31	178		44.22		7.5	1.35		36	155			38.23	7.6	1.40																																																																																																																																																																																																																																																						
0.75kW							0.75kW																																																																																																																																																																																																																																																																																																																																																																																																																																																																																																																																																																																																																										
0.63	7506	2208	40	0.85	GS100R77 GSF100R77 GSA100R77 GSAF100R77	4P	4.0	1014	225.26	12	1.10	GS77	6P																																																																																																																																																																																																																																																																																																																																																																																																																																																																																																																																																																																																																				
0.71	6628	1950	40	1.00				0.79	6015	1769	40	1.05			0.91	5170	1521	40	1.25		1.05	4513	1327	40			1.45		1.23	3827			1126	40	1.55		1.1	4323	1223	20	0.85	GS37 GSF37 GSA37 GSAF37	2P	6.2	692	225.26	14	1.55	GS77	4P	1.3	3804	1070	29	1.00		1.5	3319	928	32	1.15		1.7	2965	824	33	1.30		1.9	2117	714	34	1.75		2.2	2280	626	34			1.70		2.6	1960			538	34	1.85				2.9	1789	484	34			1.95		7.3	660			190.11	7.2	0.80				7.7	627	180.60	7.5			0.85		8.8	498			158.45	8.1	1.00				10	428	134.40	8.7			1.15		11	392	121.33	9.0			1.25	GS67	4P	13	350	106.75			9.3	1.40	GSF67	14	334	100.80	9.4	1.40	GSA67	16	289	85.83	10	1.50	GSAF67	19	299	75.06	10	1.50		21	263	65.63	10	1.55		22	252	62.35	10	1.60		25	223	54.70	10	1.65			30	190	46.40	9.3	1.80			13	350	71.75	6.1		0.80	GS57	6P	14	328		67.20	6.3	0.85	GSF57	16		284	56.61	6.8	1.00	GSA57		19	285	47.32	6.8	0.90		GSAF57	21	266	44.22	6.9		1.00		13	354	110.73		6.1	0.80	GS57 GSF57 GSA57 GSAF57		4P	15	305	94.08	6.6	0.95			17	276	84.00	6.8			1.05		19	240		71.75	7.1	1.15		21	226	67.20	7.2	1.20		25	217	54.59	7.3	1.25		29	189	47.32	7.4	1.30		31	178	44.22	7.5	1.35		36	155	38.23			7.6	1.40																																																																																																																																																																																																																																																																																																																									
0.79	6015	1769	40	1.05				0.91	5170	1521	40	1.25			1.05	4513	1327	40	1.45		1.23	3827	1126	40			1.55		1.1	4323	1223	20	0.85	GS37 GSF37 GSA37 GSAF37	2P	6.2	692	225.26	14	1.55	GS77			4P	1.3	3804	1070	29	1.00			1.5	3319	928	32	1.15		1.7	2965	824	33	1.30		1.9	2117	714	34	1.75		2.2	2280	626	34	1.70		2.6	1960	538			34	1.85		2.9			1789	484	34	1.95				7.3	660	190.11			7.2	0.80		7.7			627	180.60	7.5	0.85				8.8	498	158.45			8.1	1.00		10			428	134.40	8.7	1.15				11	392	121.33			9.0	1.25	GS67	4P	13	350			106.75	9.3		1.40	GSF67	14	334	100.80	9.4	1.40	GSA67	16	289	85.83	10	1.50	GSAF67	19	299	75.06	10	1.50		21	263	65.63	10	1.55		22	252	62.35	10	1.60		25	223	54.70	10	1.65		30	190	46.40	9.3	1.80			13	350	71.75	6.1	0.80		GS57	6P	14	328	67.20		6.3	0.85		GSF57	16		284	56.61	6.8	1.00	GSA57		19	285	47.32	6.8	0.90		GSAF57	21	266	44.22	6.9		1.00		13	354	110.73		6.1	0.80	GS57 GSF57 GSA57 GSAF57	4P	15		305	94.08				6.6	0.95		17	276	84.00		6.8	1.05		19		240	71.75	7.1	1.15		21	226	67.20	7.2	1.20		25	217	54.59	7.3	1.25		29	189	47.32	7.4	1.30		31	178	44.22	7.5	1.35		36	155	38.23	7.6	1.40																																																																																																																																																																																																																																																																																																																																
0.91	5170	1521	40	1.25				1.05	4513	1327	40	1.45		1.23	3827	1126	40	1.55		1.1	4323	1223	20	0.85	GS37 GSF37 GSA37 GSAF37	2P	6.2	692	225.26	14	1.55	GS77	4P			1.3	3804	1070	29	1.00					1.5	3319	928	32	1.15			1.7	2965	824	33	1.30		1.9	2117	714	34	1.75		2.2	2280	626	34	1.70		2.6	1960	538	34	1.85		2.9	1789	484			34	1.95		7.3			660	190.11	7.2	0.80				7.7	627	180.60			7.5	0.85		8.8			498	158.45	8.1	1.00				10	428	134.40			8.7	1.15		11			392	121.33	9.0	1.25			GS67	4P	13	350			106.75	9.3	1.40		GSF67	14	334	100.80	9.4	1.40		GSA67	16	289	85.83	10	1.50	GSAF67	19	299	75.06	10	1.50		21	263	65.63	10	1.55		22	252	62.35	10	1.60		25	223	54.70	10	1.65		30	190	46.40	9.3	1.80		13	350	71.75	6.1	0.80	GS57	6P		14	328	67.20	6.3	0.85		GSF57		16	284	56.61		6.8	1.00		GSA57	19		285	47.32	6.8	0.90	GSAF57		21	266	44.22	6.9	1.00			13	354	110.73	6.1		0.80	GS57 GSF57 GSA57 GSAF57	4P	15	305		94.08	6.6			0.95			17				276	84.00	6.8	1.05		19	240	71.75	7.1	1.15		21	226	67.20	7.2	1.20		25	217	54.59	7.3	1.25		29	189	47.32	7.4	1.30		31	178	44.22	7.5	1.35		36	155	38.23	7.6	1.40																																																																																																																																																																																																																																																																																																																																						
1.05	4513	1327	40	1.45				1.23	3827	1126	40	1.55		1.1	4323	1223	20	0.85	GS37 GSF37 GSA37 GSAF37	2P	6.2	692	225.26	14			1.55	GS77	4P	1.3	3804	1070				29	1.00		1.5	3319	928				32	1.15		1.7	2965	824	33	1.30		1.9	2117	714	34	1.75		2.2	2280	626	34	1.70		2.6	1960	538	34	1.85		2.9	1789	484	34	1.95		7.3			660	190.11	7.2	0.80				7.7	627	180.60			7.5	0.85		8.8			498	158.45	8.1	1.00				10	428	134.40			8.7	1.15		11			392	121.33	9.0	1.25			GS67	4P	13	350			106.75		9.3	1.40	GSF67	14	334	100.80	9.4		1.40	GSA67	16	289	85.83	10		1.50	GSAF67	19	299	75.06	10	1.50		21	263	65.63	10	1.55		22	252	62.35	10	1.60		25	223	54.70	10	1.65		30	190	46.40	9.3	1.80		13	350	71.75	6.1	0.80	GS57	6P	14	328	67.20	6.3			0.85	GSF57	16	284	56.61		6.8		1.00	GSA57	19		285	47.32		6.8	0.90		GSAF57	21	266	44.22	6.9		1.00		13	354	110.73		6.1	0.80	GS57 GSF57 GSA57 GSAF57	4P	15		305			94.08	6.6		0.95				17		276	84.00		6.8		1.05		19	240	71.75	7.1	1.15		21	226	67.20	7.2	1.20		25	217	54.59	7.3	1.25		29	189	47.32	7.4	1.30		31	178	44.22	7.5	1.35		36	155	38.23	7.6	1.40																																																																																																																																																																																																																																																																																																																																									
1.23	3827	1126	40	1.55		1.1	4323	1223	20	0.85	GS37 GSF37 GSA37 GSAF37	2P	6.2	692	225.26	14	1.55	GS77			4P	1.3	3804	1070			29	1.00			1.5	3319				928	32	1.15		1.7	2965			824	33	1.30		1.9	2117	714	34	1.75		2.2	2280	626	34	1.70		2.6	1960	538	34	1.85		2.9	1789	484	34	1.95		7.3	660	190.11	7.2	0.80		7.7			627	180.60	7.5	0.85				8.8	498	158.45			8.1	1.00		10			428	134.40	8.7	1.15				11	392	121.33			9.0	1.25	GS67	4P			13	350	106.75	9.3			1.40		GSF67	14	334	100.80	9.4		1.40	GSA67	16	289	85.83	10	1.50		GSAF67	19	299	75.06	10	1.50			21	263	65.63	10	1.55		22	252	62.35	10	1.60		25	223	54.70	10	1.65		30	190	46.40	9.3	1.80		13	350	71.75	6.1	0.80	GS57	6P	14	328	67.20	6.3	0.85	GSF57		16	284	56.61	6.8			1.00	GSA57	19	285	47.32		6.8		0.90	GSAF57	21		266	44.22		6.9	1.00			13	354	110.73	6.1		0.80	GS57 GSF57 GSA57 GSAF57	4P	15	305		94.08	6.6			0.95					17	276		84.00	6.8			1.05		19	240		71.75		7.1	1.15		21	226	67.20	7.2	1.20		25	217	54.59	7.3	1.25		29	189	47.32	7.4	1.30		31	178	44.22	7.5	1.35		36	155	38.23	7.6	1.40																																																																																																																																																																																																																																																																																																																																														
1.1	4323	1223	20	0.85	GS37 GSF37 GSA37 GSAF37	2P	6.2	692	225.26	14			1.55	GS77	4P																																																																																																																																																																																																																																																																																																																																																																																																																																																																																																																																																																																																																		
1.3	3804	1070	29	1.00				1.5	3319	928			32	1.15			1.7	2965				824	33	1.30				1.9	2117	714	34	1.75				2.2	2280	626	34	1.70				2.6	1960	538	34	1.85		2.9	1789	484	34	1.95		7.3	660	190.11	7.2	0.80		7.7	627	180.60	7.5	0.85		8.8	498	158.45	8.1	1.00		10	428	134.40	8.7	1.15				11	392	121.33			9.0	1.25	GS67	4P			13	350	106.75	9.3			1.40	GSF67	14	334			100.80	9.4	1.40	GSA67			16	289	85.83		10	1.50	GSAF67	19	299	75.06	10	1.50			21	263	65.63	10	1.55			22	252	62.35	10	1.60			25	223	54.70	10	1.65			30	190	46.40	9.3	1.80		13	350	71.75	6.1	0.80	GS57	6P	14	328	67.20	6.3	0.85	GSF57	16	284	56.61	6.8	1.00	GSA57	19	285	47.32	6.8	0.90	GSAF57		21	266	44.22	6.9	1.00			13	354	110.73	6.1			0.80	GS57 GSF57 GSA57 GSAF57	4P	15	305		94.08	6.6	0.95		17		276	84.00	6.8	1.05			19	240	71.75	7.1	1.15					21	226		67.20	7.2			1.20		25			217	54.59	7.3	1.25				29	189	47.32	7.4		1.30			31	178	44.22	7.5	1.35		36	155	38.23	7.6	1.40																																																																																																																																																																																																																																																																																																																																																																		
1.5	3319	928	32	1.15				1.7	2965	824			33	1.30			1.9	2117			714	34	1.75				2.2	2280	626	34	1.70		2.6			1960	538	34	1.85		2.9			1789	484	34	1.95		7.3	660	190.11	7.2	0.80		7.7	627	180.60	7.5	0.85		8.8	498	158.45	8.1	1.00		10	428	134.40	8.7	1.15		11	392	121.33	9.0	1.25	GS67			4P	13	350	106.75			9.3	1.40	GSF67				14	334	100.80	9.4			1.40	GSA67	16	289			85.83	10	1.50	GSAF67	19	299	75.06	10	1.50			21	263	65.63	10	1.55		22	252		62.35	10	1.60		25		223	54.70	10	1.65		30	190		46.40	9.3	1.80		13	350		71.75	6.1	0.80	GS57	6P	14	328	67.20	6.3	0.85	GSF57	16		284	56.61	6.8	1.00	GSA57	19	285	47.32	6.8	0.90	GSAF57	21	266	44.22	6.9	1.00		13		354	110.73	6.1	0.80	GS57 GSF57 GSA57 GSAF57	4P		15	305	94.08	6.6	0.95					17	276		84.00	6.8	1.05		19		240	71.75	7.1	1.15			21	226	67.20	7.2	1.20					25	217	54.59	7.3	1.25				29	189			47.32	7.4	1.30		31			178	44.22	7.5	1.35				36	155	38.23	7.6	1.40																																																																																																																																																																																																																																																																																																																																																																									
1.7	2965	824	33	1.30				1.9	2117	714			34	1.75		2.2	2280	626			34	1.70		2.6			1960	538	34	1.85		2.9	1789			484	34	1.95		7.3	660			190.11	7.2	0.80		7.7	627	180.60	7.5	0.85		8.8	498	158.45	8.1	1.00		10	428	134.40	8.7	1.15		11	392	121.33	9.0	1.25	GS67	4P	13	350	106.75	9.3	1.40	GSF67				14	334	100.80			9.4	1.40	GSA67				16	289	85.83	10			1.50	GSAF67	19	299	75.06	10	1.50		21	263	65.63	10	1.55		22		252	62.35	10	1.60		25	223	54.70	10		1.65		30	190	46.40		9.3	1.80		13	350	71.75	6.1		0.80	GS57	6P	14	328	67.20		6.3	0.85	GSF57	16		284	56.61	6.8	1.00	GSA57	19	285		47.32	6.8	0.90	GSAF57	21	266	44.22	6.9	1.00		13	354	110.73	6.1	0.80	GS57 GSF57 GSA57 GSAF57	4P	15		305	94.08	6.6	0.95				17	276	84.00	6.8	1.05					19	240		71.75	7.1	1.15		21		226	67.20	7.2	1.20			25	217	54.59	7.3	1.25		29			189	47.32	7.4	1.30				31	178	44.22			7.5	1.35		36	155			38.23	7.6	1.40																																																																																																																																																																																																																																																																																																																																																																																		
1.9	2117	714	34	1.75				2.2	2280	626			34	1.70		2.6	1960	538			34	1.85		2.9			1789	484	34	1.95		7.3	660			190.11	7.2	0.80		7.7	627			180.60	7.5	0.85		8.8	498	158.45	8.1	1.00		10	428	134.40	8.7	1.15		11	392	121.33	9.0	1.25	GS67	4P	13	350	106.75	9.3	1.40		GSF67	14	334	100.80	9.4	1.40				GSA67	16	289			85.83	10	1.50				GSAF67	19	299	75.06	10	1.50		21	263	65.63	10	1.55		22	252	62.35	10	1.60		25	223		54.70	10	1.65		30	190	46.40	9.3	1.80			13	350	71.75	6.1		0.80	GS57	6P	14	328	67.20	6.3		0.85	GSF57		16	284	56.61		6.8	1.00	GSA57	19		285	47.32	6.8	0.90	GSAF57	21	266		44.22	6.9	1.00		13	354	110.73	6.1	0.80	GS57 GSF57 GSA57 GSAF57	4P	15	305	94.08	6.6			0.95		17	276	84.00	6.8			1.05		19	240	71.75	7.1		1.15				21		226	67.20	7.2	1.20			25	217	54.59	7.3	1.25		29	189	47.32	7.4	1.30		31			178	44.22	7.5	1.35				36	155	38.23			7.6	1.40																																																																																																																																																																																																																																																																																																																																																																																										
2.2	2280	626	34	1.70				2.6	1960	538			34	1.85		2.9	1789	484			34	1.95		7.3			660	190.11	7.2	0.80		7.7	627			180.60	7.5	0.85		8.8	498			158.45	8.1	1.00		10	428	134.40	8.7	1.15		11	392	121.33	9.0	1.25	GS67	4P	13	350	106.75	9.3	1.40		GSF67	14	334	100.80	9.4		1.40	GSA67	16	289	85.83	10				1.50	GSAF67	19			299	75.06	10		1.50		21	263	65.63	10	1.55		22	252	62.35	10	1.60		25	223	54.70	10	1.65		30	190	46.40		9.3	1.80		13	350	71.75	6.1	0.80	GS57		6P	14	328	67.20	6.3		0.85	GSF57		16	284	56.61	6.8		1.00	GSA57		19	285	47.32		6.8	0.90	GSAF57	21		266	44.22	6.9	1.00		13	354		110.73	6.1	0.80	GS57 GSF57 GSA57 GSAF57	4P	15	305	94.08	6.6			0.95		17	276			84.00	6.8	1.05		19	240			71.75	7.1	1.15		21	226		67.20			7.2	1.20			25	217	54.59	7.3	1.25		29	189	47.32	7.4	1.30		31	178	44.22	7.5	1.35				36	155	38.23	7.6	1.40																																																																																																																																																																																																																																																																																																																																																																																																			
2.6	1960	538	34	1.85				2.9	1789	484			34	1.95		7.3	660	190.11			7.2	0.80		7.7			627	180.60	7.5	0.85		8.8	498			158.45	8.1	1.00		10	428			134.40	8.7	1.15		11	392	121.33	9.0	1.25	GS67	4P	13	350	106.75	9.3	1.40		GSF67	14	334	100.80	9.4		1.40	GSA67	16	289	85.83		10	1.50	GSAF67	19	299	75.06				10	1.50		21	263	65.63	10	1.55			22	252	62.35	10	1.60		25	223	54.70	10	1.65		30	190	46.40	9.3	1.80		13	350	71.75	6.1		0.80	GS57	6P	14	328	67.20	6.3	0.85	GSF57			16	284	56.61	6.8		1.00	GSA57		19	285	47.32	6.8		0.90	GSAF57		21	266	44.22		6.9	1.00		13		354	110.73	6.1	0.80	GS57 GSF57 GSA57 GSAF57	4P	15	305	94.08	6.6	0.95				17	276	84.00			6.8	1.05		19			240	71.75	7.1	1.15		21			226	67.20	7.2	1.20		25		217			54.59	7.3	1.25		29	189	47.32	7.4	1.30		31	178	44.22	7.5	1.35		36	155	38.23	7.6	1.40																																																																																																																																																																																																																																																																																																																																																																																																											
2.9	1789	484	34	1.95				7.3	660	190.11			7.2	0.80		7.7	627	180.60			7.5	0.85		8.8			498	158.45	8.1	1.00		10	428			134.40	8.7	1.15		11	392			121.33	9.0	1.25	GS67	4P	13	350	106.75	9.3	1.40		GSF67	14	334	100.80	9.4		1.40	GSA67	16	289	85.83		10	1.50	GSAF67	19	299		75.06	10	1.50		21	263	65.63	10		1.55		22	252	62.35	10	1.60			25	223	54.70	10	1.65		30	190	46.40	9.3	1.80		13	350	71.75	6.1	0.80	GS57	6P	14	328	67.20	6.3		0.85	GSF57		16	284	56.61	6.8	1.00	GSA57			19	285	47.32	6.8		0.90	GSAF57		21	266	44.22	6.9		1.00			13	354	110.73		6.1	0.80	GS57 GSF57 GSA57 GSAF57	4P	15	305	94.08	6.6	0.95				17	276	84.00	6.8			1.05		19	240			71.75	7.1	1.15				21	226	67.20	7.2	1.20				25	217	54.59	7.3	1.25		29	189			47.32	7.4	1.30		31	178	44.22	7.5	1.35		36	155	38.23	7.6	1.40																																																																																																																																																																																																																																																																																																																																																																																																																	
7.3	660	190.11	7.2	0.80				7.7	627	180.60			7.5	0.85		8.8	498	158.45			8.1	1.00		10			428	134.40	8.7	1.15		11	392			121.33	9.0	1.25	GS67	4P	13			350	106.75	9.3	1.40		GSF67	14	334	100.80	9.4		1.40	GSA67	16	289	85.83		10	1.50	GSAF67	19	299		75.06	10	1.50		21		263	65.63	10	1.55		22	252	62.35		10	1.60		25	223	54.70	10	1.65			30	190	46.40	9.3	1.80		13	350	71.75	6.1	0.80	GS57	6P	14	328	67.20	6.3		0.85	GSF57	16	284		56.61	6.8		1.00	GSA57	19	285	47.32	6.8			0.90	GSAF57	21	266		44.22	6.9		1.00		13	354		110.73	6.1	0.80	GS57 GSF57 GSA57 GSAF57	4P	15		305	94.08			6.6	0.95		17	276			84.00	6.8	1.05		19			240	71.75	7.1	1.15				21	226	67.20			7.2	1.20		25	217	54.59			7.3	1.25		29	189	47.32	7.4	1.30				31	178	44.22	7.5	1.35		36	155	38.23	7.6	1.40																																																																																																																																																																																																																																																																																																																																																																																																																				
7.7	627	180.60	7.5	0.85				8.8	498	158.45			8.1	1.00		10	428	134.40			8.7	1.15		11			392	121.33	9.0	1.25	GS67	4P	13			350	106.75	9.3	1.40		GSF67			14	334	100.80	9.4		1.40	GSA67	16	289	85.83		10	1.50	GSAF67	19	299		75.06	10	1.50		21		263	65.63	10	1.55			22	252	62.35	10	1.60		25	223		54.70	10	1.65		30	190	46.40	9.3		1.80		13	350	71.75	6.1	0.80	GS57	6P	14	328	67.20	6.3		0.85	GSF57	16	284		56.61	6.8	1.00	GSA57		19	285		47.32	6.8	0.90	GSAF57	21	266			44.22	6.9	1.00			13	354	110.73	6.1	0.80	GS57 GSF57 GSA57 GSAF57	4P		15	305	94.08			6.6		0.95				17	276	84.00	6.8	1.05				19	240	71.75	7.1			1.15		21	226			67.20	7.2	1.20				25	217	54.59	7.3	1.25				29	189	47.32	7.4	1.30		31	178			44.22	7.5	1.35		36	155	38.23	7.6	1.40																																																																																																																																																																																																																																																																																																																																																																																																																							
8.8	498	158.45	8.1	1.00				10	428	134.40			8.7	1.15		11	392	121.33			9.0	1.25	GS67	4P			13	350	106.75	9.3	1.40		GSF67			14	334	100.80	9.4		1.40	GSA67	16	289	85.83	10	1.50		GSAF67	19	299	75.06	10		1.50		21	263	65.63		10	1.55		22	252		62.35	10	1.60		25		223	54.70	10	1.65		30	190	46.40		9.3	1.80		13	350	71.75	6.1	0.80		GS57	6P	14	328	67.20	6.3	0.85	GSF57		16	284	56.61	6.8		1.00	GSA57	19	285		47.32	6.8	0.90	GSAF57		21	266		44.22	6.9	1.00		13	354		110.73	6.1	0.80	GS57 GSF57 GSA57 GSAF57	4P		15	305	94.08	6.6	0.95					17	276			84.00	6.8	1.05				19	240	71.75	7.1	1.15				21	226	67.20	7.2			1.20		25	217			54.59	7.3	1.25				29	189	47.32	7.4	1.30				31	178	44.22	7.5	1.35		36	155			38.23	7.6	1.40																																																																																																																																																																																																																																																																																																																																																																																																																													
10	428	134.40	8.7	1.15				11	392	121.33			9.0	1.25	GS67	4P	13	350			106.75	9.3	1.40				GSF67	14	334	100.80	9.4		1.40	GSA67	16	289	85.83	10	1.50		GSAF67	19	299	75.06	10	1.50			21	263	65.63	10	1.55			22	252	62.35	10		1.60		25	223	54.70		10	1.65		30	190		46.40	9.3	1.80		13	350	71.75	6.1		0.80	GS57	6P	14	328	67.20	6.3	0.85		GSF57		16	284	56.61	6.8	1.00	GSA57		19	285	47.32	6.8		0.90	GSAF57	21	266		44.22	6.9	1.00			13	354	110.73	6.1	0.80	GS57 GSF57 GSA57 GSAF57	4P	15	305		94.08	6.6	0.95					17	276	84.00	6.8			1.05		19	240			71.75	7.1	1.15				21	226	67.20	7.2	1.20				25	217	54.59	7.3			1.25		29	189			47.32	7.4	1.30				31	178	44.22	7.5	1.35				36	155	38.23	7.6	1.40																																																																																																																																																																																																																																																																																																																																																																																																																																					
11	392	121.33	9.0	1.25			GS67	4P																																																																																																																																																																																																																																																																																																																																																																																																																																																																																																																																																																																																																									
13	350	106.75	9.3	1.40			GSF67		14	334			100.80	9.4	1.40		GSA67	16	289	85.83	10	1.50	GSAF67		19	299	75.06	10	1.50		21		263	65.63	10	1.55		22	252		62.35	10	1.60		25	223	54.70		10	1.65		30	190		46.40	9.3	1.80		13		350	71.75	6.1	0.80	GS57		6P	14	328	67.20	6.3		0.85	GSF57	16	284	56.61	6.8	1.00	GSA57		19	285		47.32	6.8	0.90	GSAF57	21		266		44.22	6.9	1.00		13	354		110.73	6.1	0.80	GS57 GSF57 GSA57 GSAF57	4P	15	305	94.08	6.6	0.95		17	276	84.00		6.8	1.05		19	240			71.75	7.1	1.15		21	226			67.20	7.2	1.20		25	217			54.59	7.3	1.25				29	189	47.32	7.4			1.30		31	178	44.22			7.5	1.35		36	155			38.23	7.6	1.40																																																																																																																																																																																																																																																																																																																																																																																																																																																											
14	334	100.80	9.4	1.40			GSA67		16	289	85.83	10	1.50	GSAF67	19		299	75.06	10	1.50		21	263		65.63	10	1.55		22	252	62.35		10	1.60		25	223	54.70	10		1.65		30	190	46.40	9.3	1.80			13	350	71.75	6.1		0.80	GS57	6P	14	328		67.20	6.3	0.85	GSF57	16			284	56.61	6.8	1.00		GSA57	19	285	47.32	6.8	0.90	GSAF57	21		266	44.22		6.9	1.00		13	354		110.73		6.1	0.80	GS57 GSF57 GSA57 GSAF57	4P	15	305	94.08	6.6	0.95				17	276	84.00	6.8	1.05		19	240	71.75	7.1	1.15		21	226	67.20			7.2	1.20		25	217	54.59			7.3	1.25		29	189	47.32			7.4	1.30		31			178	44.22	7.5	1.35				36	155	38.23	7.6			1.40																																																																																																																																																																																																																																																																																																																																																																																																																																																																				
16	289	85.83	10	1.50	GSAF67	19	299		75.06	10	1.50		21	263	65.63		10	1.55		22	252	62.35	10		1.60		25	223	54.70	10	1.65			30	190	46.40	9.3	1.80			13	350	71.75	6.1	0.80	GS57	6P		14	328	67.20	6.3	0.85		GSF57	16		284	56.61		6.8	1.00	GSA57	19	285			47.32	6.8	0.90	GSAF57		21	266	44.22	6.9	1.00		13	354		110.73	6.1		0.80	GS57 GSF57 GSA57 GSAF57	4P	15	305		94.08	6.6	0.95				17	276	84.00	6.8	1.05				19	240	71.75	7.1	1.15		21	226	67.20	7.2	1.20		25	217	54.59			7.3	1.25		29	189	47.32			7.4	1.30		31	178	44.22			7.5	1.35		36			155	38.23	7.6	1.40																																																																																																																																																																																																																																																																																																																																																																																																																																																																														
19	299	75.06	10	1.50		21	263		65.63	10	1.55		22	252	62.35		10	1.60		25	223	54.70	10		1.65		30	190	46.40	9.3	1.80			13	350	71.75	6.1	0.80	GS57		6P	14	328	67.20	6.3	0.85			GSF57	16	284	56.61	6.8		1.00	GSA57		19	285		47.32	6.8	0.90	GSAF57	21			266	44.22	6.9	1.00			13	354	110.73	6.1	0.80	GS57 GSF57 GSA57 GSAF57	4P		15	305	94.08	6.6			0.95		17	276	84.00	6.8	1.05				19	240	71.75	7.1	1.15				21	226	67.20	7.2	1.20		25	217	54.59	7.3	1.25		29	189			47.32	7.4	1.30		31	178			44.22	7.5	1.35		36	155			38.23	7.6	1.40																																																																																																																																																																																																																																																																																																																																																																																																																																																																																					
21	263	65.63	10	1.55		22	252		62.35	10	1.60		25	223	54.70		10	1.65		30	190	46.40	9.3		1.80		13	350	71.75	6.1	0.80		GS57	6P	14	328	67.20	6.3	0.85			GSF57	16	284	56.61	6.8			1.00	GSA57	19	285	47.32		6.8	0.90		GSAF57	21		266	44.22	6.9	1.00				13	354	110.73	6.1		0.80	GS57 GSF57 GSA57 GSAF57	4P	15	305	94.08			6.6	0.95		17	276			84.00	6.8	1.05		19	240	71.75			7.1	1.15		21	226	67.20			7.2	1.20		25	217	54.59	7.3	1.25		29	189	47.32	7.4	1.30				31	178	44.22	7.5	1.35				36	155	38.23	7.6	1.40																																																																																																																																																																																																																																																																																																																																																																																																																																																																																											
22	252	62.35	10	1.60		25	223		54.70	10	1.65		30	190	46.40		9.3	1.80		13	350	71.75	6.1		0.80	GS57	6P	14	328	67.20	6.3		0.85		GSF57	16	284	56.61	6.8			1.00	GSA57	19	285	47.32			6.8	0.90	GSAF57	21	266		44.22	6.9		1.00			13	354	110.73	6.1	0.80		GS57 GSF57 GSA57 GSAF57	4P	15	305	94.08	6.6	0.95				17	276			84.00	6.8	1.05		19			240	71.75	7.1	1.15		21	226			67.20	7.2	1.20		25	217			54.59	7.3	1.25		29	189	47.32	7.4	1.30		31	178	44.22	7.5	1.35				36	155	38.23	7.6	1.40																																																																																																																																																																																																																																																																																																																																																																																																																																																																																																		
25	223	54.70	10	1.65		30	190		46.40	9.3	1.80		13	350	71.75		6.1	0.80	GS57	6P	14	328	67.20		6.3	0.85		GSF57	16	284	56.61		6.8		1.00	GSA57	19	285	47.32			6.8	0.90	GSAF57	21	266			44.22	6.9	1.00		13		354	110.73	6.1	0.80	GS57 GSF57 GSA57 GSAF57		4P	15	305	94.08	6.6	0.95				17	276	84.00	6.8			1.05		19			240	71.75	7.1	1.15				21	226	67.20	7.2	1.20		25			217	54.59	7.3	1.25		29			189	47.32	7.4	1.30		31	178	44.22	7.5	1.35		36	155	38.23	7.6			1.40																																																																																																																																																																																																																																																																																																																																																																																																																																																																																																							
30	190	46.40	9.3	1.80		13	350		71.75	6.1	0.80	GS57	6P	14	328		67.20	6.3	0.85		GSF57	16	284		56.61	6.8		1.00	GSA57	19	285		47.32		6.8	0.90	GSAF57	21	266			44.22	6.9	1.00		13	354		110.73	6.1	0.80	GS57 GSF57 GSA57 GSAF57	4P		15	305	94.08	6.6		0.95			17	276	84.00	6.8			1.05		19	240	71.75			7.1	1.15				21	226	67.20	7.2	1.20				25	217	54.59	7.3	1.25				29	189	47.32	7.4	1.30				31	178	44.22	7.5	1.35		36	155	38.23	7.6	1.40																																																																																																																																																																																																																																																																																																																																																																																																																																																																																																														
13	350	71.75	6.1	0.80	GS57	6P																																																																																																																																																																																																																																																																																																																																																																																																																																																																																																																																																																																																																											
14	328	67.20	6.3	0.85	GSF57		16		284	56.61	6.8	1.00		GSA57	19		285	47.32	6.8		0.90	GSAF57	21		266	44.22		6.9	1.00		13		354	110.73	6.1	0.80	GS57 GSF57 GSA57 GSAF57	4P	15		305	94.08	6.6	0.95		17	276	84.00	6.8	1.05				19	240	71.75	7.1	1.15				21	226	67.20	7.2	1.20				25	217	54.59	7.3			1.25		29			189	47.32	7.4	1.30				31	178	44.22	7.5	1.35		36			155	38.23	7.6	1.40																																																																																																																																																																																																																																																																																																																																																																																																																																																																																																																													
16	284	56.61	6.8	1.00	GSA57		19		285	47.32	6.8	0.90		GSAF57	21		266	44.22	6.9		1.00		13		354	110.73	6.1	0.80	GS57 GSF57 GSA57 GSAF57	4P	15		305	94.08	6.6	0.95				17	276	84.00	6.8	1.05		19	240	71.75	7.1	1.15				21	226	67.20	7.2	1.20				25	217	54.59	7.3	1.25				29	189	47.32	7.4			1.30		31			178	44.22	7.5	1.35				36	155	38.23	7.6	1.40																																																																																																																																																																																																																																																																																																																																																																																																																																																																																																																																					
19	285	47.32	6.8	0.90	GSAF57		21		266	44.22	6.9	1.00			13		354	110.73	6.1	0.80	GS57 GSF57 GSA57 GSAF57	4P	15		305	94.08	6.6	0.95				17	276	84.00	6.8	1.05				19	240	71.75	7.1	1.15		21	226	67.20	7.2	1.20				25	217	54.59	7.3	1.25				29	189	47.32	7.4	1.30				31	178	44.22	7.5			1.35		36			155	38.23	7.6	1.40																																																																																																																																																																																																																																																																																																																																																																																																																																																																																																																																													
21	266	44.22	6.9	1.00			13		354	110.73	6.1	0.80	GS57 GSF57 GSA57 GSAF57	4P	15		305	94.08	6.6	0.95				17	276	84.00	6.8	1.05				19	240	71.75	7.1	1.15				21	226	67.20	7.2	1.20		25	217	54.59	7.3	1.25				29	189	47.32	7.4	1.30				31	178	44.22	7.5	1.35				36	155	38.23	7.6			1.40																																																																																																																																																																																																																																																																																																																																																																																																																																																																																																																																																					
13	354	110.73	6.1	0.80	GS57 GSF57 GSA57 GSAF57	4P																																																																																																																																																																																																																																																																																																																																																																																																																																																																																																																																																																																																																											
15	305	94.08	6.6	0.95				17	276	84.00	6.8	1.05				19	240	71.75	7.1	1.15				21	226	67.20	7.2	1.20				25	217	54.59	7.3	1.25				29	189	47.32	7.4	1.30		31	178	44.22	7.5	1.35				36	155	38.23	7.6	1.40																																																																																																																																																																																																																																																																																																																																																																																																																																																																																																																																																																							
17	276	84.00	6.8	1.05				19	240	71.75	7.1	1.15				21	226	67.20	7.2	1.20				25	217	54.59	7.3	1.25				29	189	47.32	7.4	1.30				31	178	44.22	7.5	1.35		36	155	38.23	7.6	1.40																																																																																																																																																																																																																																																																																																																																																																																																																																																																																																																																																																															
19	240	71.75	7.1	1.15				21	226	67.20	7.2	1.20				25	217	54.59	7.3	1.25				29	189	47.32	7.4	1.30				31	178	44.22	7.5	1.35				36	155	38.23	7.6	1.40																																																																																																																																																																																																																																																																																																																																																																																																																																																																																																																																																																																					
21	226	67.20	7.2	1.20				25	217	54.59	7.3	1.25				29	189	47.32	7.4	1.30				31	178	44.22	7.5	1.35				36	155	38.23	7.6	1.40																																																																																																																																																																																																																																																																																																																																																																																																																																																																																																																																																																																													
25	217	54.59	7.3	1.25				29	189	47.32	7.4	1.30				31	178	44.22	7.5	1.35				36	155	38.23	7.6	1.40																																																																																																																																																																																																																																																																																																																																																																																																																																																																																																																																																																																																					
29	189	47.32	7.4	1.30				31	178	44.22	7.5	1.35				36	155	38.23	7.6	1.40																																																																																																																																																																																																																																																																																																																																																																																																																																																																																																																																																																																																													
31	178	44.22	7.5	1.35				36	155	38.23	7.6	1.40																																																																																																																																																																																																																																																																																																																																																																																																																																																																																																																																																																																																																					
36	155	38.23	7.6	1.40																																																																																																																																																																																																																																																																																																																																																																																																																																																																																																																																																																																																																													

选型参数表
(恒功率)

Selection Table
(Constant Power)

n_a [r/min]	M_a [Nm]	i	F_{ra} [kN]	f_b	机型号 Type size	极数 Pole	n_a [r/min]	M_a [Nm]	i	F_{ra} [kN]	f_b	机型号 Type size	极数 Pole	
0.75kW							1.1kW							
43	133	32.48	7.3	1.50			2.5	2517	271.63	40	1.90	GS100		
48	120	29.00	7.1	1.55			3.0	2167	229.96	38	2.00	GSF100	8P	
56	103	24.77	6.8	1.65	GS57		3.2	2008	212.81	37	2.10	GSA100		
60	97	23.20	6.7	1.70	GSF57	4P	3.6	1806	190.74	36	2.20	GSAF100		
71	82	19.54	6.2	1.80	GSA57		2.4	2706	286.40	33	1.40	GS97		
78	78	17.80	5.9	1.85	GSAF57		2.6	2507	262.22	33	1.50	GSF97		
92	67	15.12	5.9	2.00				3.0	2241	231.67	34	1.70	GSA97	
103	60	13.50	5.6	2.05			3.5	1924	196.52	34	1.80	GSAF97		
29	188	47.32	4.3	0.80								GS97		
31	175	44.22	4.3	0.85			3.2	2070	286.40	34	1.75	GSF97	6P	
36	156	38.23	4.2	1.00			3.5	1918	262.22	34	1.80	GSA97		
43	133	32.48	4.1	1.10			3.9	1715	231.67	34	1.90	GSAF97		
48	120	29.00	4.0	1.15			3.2	1896	288.00	27	1.10	GS87		
56	104	24.77	3.9	1.20			3.5	1723	258.00	27	1.20	GSF87	6P	
60	97	23.20	3.9	1.25	GS47		4.1	1504	222.40	27	1.35	GSA87		
71	82	19.54	3.4	1.30	GSF47	4P	4.5	1392	202.96	28	1.45	GSAF87		
78	78	17.80	3.4	1.40	GSA47		4.9	1302	288.00	28	1.55			
92	66	15.12	3.3	1.50	GSAF47		5.4	1167	258.18	28	1.65	GS87		
103	60	13.50	3.2	1.55				6.3	1020	222.40	28	1.75	GSF87	
121	51	11.53	3.1	1.65			6.9	944	202.96	28	1.80	GSA87	4P	
129	48	10.80	3.1	1.70			7.8	850	180.00	28	1.90	GSAF87		
153	41	9.10	3.0	1.80			9.3	731	151.30	28	2.00			
173	36	8.04	2.9	1.85			6.2	1008	225.26	12	1.10			
73	75	19.13	2.2	0.85			6.5	958	214.00	13	1.15			
102	59	13.63	1.9	0.85	GS37		7.4	859	189.09	13	1.35			
115	52	12.08	1.8	0.95	GSF37		8.7	745	161.60	14	1.45	GS77		
135	45	10.27	1.8	1.00	GSA37	4P	9.4	693	148.15	14	1.50	GSF77	4P	
145	42	9.57	1.8	1.10	GSAF37		11	617	130.00	15	1.60	GSA77		
184	34	7.57	1.8	1.25				11	590	123.20	15	1.60		GSAF77
148	39	19.13	2.0	1.10				13	525	107.83	15	1.70		
208	30	13.63	1.7	1.25	GS37		14	477	97.14	15	1.75			
234	27	12.08	1.7	1.30	GSF37	2P	16	425	85.22	15	1.85			
276	23	10.27	1.7	1.35	GSA37		12	572	121.33	7.4	0.85			
296	21	9.57	1.6	1.40	GSAF37		13	510	106.75	8.1	0.95			
374	17	7.57	1.6	1.50				14	486	100.80	8.3	1.00		
1.1kW							1.1kW							
0.9	7529	1521	40	0.85			16	420	85.83	8.8	1.15			
1.1	6571	1327	40	1.00	GS100R77		18	385	78.00	9.1	1.30	GS67	4P	
1.2	5574	1126	40	1.15	GSF100R77		21	383	65.63	9.1	1.30	GSF67		
1.4	4872	984	40	1.35	GSA100R77	4P	22	367	62.35	9.2	1.30	GSA67		
1.6	4275	864	40	1.45	GSAF100R77		26	324	54.70	9.1	1.40	GSAF67		
1.7	4018	812	40	1.50				30	277	46.40	8.8	1.45		
2.0	3408	688	40	1.60				33	252	41.89	8.6	1.55		
1.7	4317	824	22	0.95			38	223	36.85	8.3	1.60			
2.0	3082	714	33	1.35	GS97R57		40	210	34.80	8.2	1.65			
2.2	3320	626	32	1.25	GSF97R57	4P	47	181	29.63	7.9	1.75			
2.6	2854	538	33	1.45	GSA97R57		20	349	71.75	6.2	1.00			
2.9	2605	484	33	1.60	GSAF97R57		21	330	67.20	6.4	1.00			
3.3	2260	420	34	1.70				25	282	56.61	6.8	1.05		
2.2	2635	624	24	0.95			30	275	47.32	6.9	1.10			
2.5	2356	558	26	1.10			32	259	44.22	7.0	1.10			
2.9	1840	485	27	1.35			37	226	38.23	7.0	1.20			
3.2	1887	435	27	1.35	GS87R57		43	194	32.48	6.8	1.25	GS57	4P	
3.7	1639	378	27	1.45	GSF87R57	4P	48	174	29.00	6.7	1.30	GSF57		
4.3	1303	323	28	1.60	GSA87R57		57	150	24.77	6.4	1.40	GSA57		
5.0	1134	281	28	1.45	GSAF87R57		60	141	23.20	6.3	1.40	GSAF57		
5.5	1540	255	28	1.45				72	120	19.54	6.1	1.50		
6.3	1349	222	28	1.55				79	114	17.80	5.6	1.55		
6.8	1254	205	28	1.60				93	97	15.12	5.5	1.65		
					GS77R37			104	87	13.50	5.3	1.70		
					GSF77R37			121	75	11.53	5.1	1.80		
6.4	1228	219	11	1.05	GSA77R37	4P	130	70	10.80	5.0	1.85			
					GSAF77R37		154	60	9.10	4.8	2.00			

选型参数表
(恒功率)

Selection Table
(Constant Power)

n_a [r/min]	M_a [Nm]	i	F_{ra} [kN]	f_b	机型号 Type size	极数 Pole	n_a [r/min]	M_a [Nm]	i	F_{ra} [kN]	f_b	机型号 Type size	极数 Pole
1.1kW							1.5kW						
48	175	29.00	3.5	0.95			3.6	2323	258.18	25	0.90	GS87	
57	151	24.77	3.5	1.00			4.2	2029	222.40	26	1.00	GSF87	6P
60	141	23.20	3.5	1.05			4.6	1877	202.96	27	1.10	GSA87	
72	120	19.54	3.4	1.10	GS47	4P	5.2	1689	180.00	27	1.20	GSAF87	
79	113	17.80	2.9	1.15	GSF47		4.9	1775	288.00	27	1.10		
93	97	15.12	2.9	1.25	GSA47		5.4	1592	258.18	27	1.20		
104	87	13.50	2.9	1.30	GSAF47		6.3	1391	222.40	28	1.40		
121	75	11.53	2.8	1.35			6.9	1287	202.96	28	1.55	GS87	
130	70	10.80	2.8	1.40			7.8	1159	180.00	28	1.60	GSF87	
154	59	9.10	2.7	1.45			9.3	996	151.30	28	1.75	GSA87	
174	53	8.04	2.7	1.55			10	923	139.05	28	1.80	GSAF87	
								11	826	123.48	28	1.85	
								13	751	110.40	28	1.95	
185	49	7.57	1.5	0.85	GS37	4P	14	686	99.26	28	2.00		
					GSF37		7.4	1171	189.09	10	1.10		
					GSA37		8.7	1016	161.60	12	1.15		
					GSAF37		9.4	945	148.15	13	1.30		
208	44	13.63	1.5	0.85	GS37	2P	11	842	130.00	13	1.35		
234	39	12.08	1.5	0.90	GSF37		11	804	123.20	14	1.40		
276	33	10.27	1.5	1.00	GSA37		13	715	107.83	14	1.45		
296	31	9.57	1.5	1.05	GSAF37		14	650	97.14	15	1.50	GS77	
374	25	7.57	1.4	1.25			16	580	85.22	15	1.60	GSF77	
							19	608	75.09	13	1.50	GSA77	
							20	581	71.33	13	1.55	GSAF77	
1.2	7600	1126	40	0.85	GS100R77	4P	21	468	66.67	14	1.70		
1.4	6643	984	40	1.00	GSF100R77		22	514	63.03	13	1.65		
1.6	5830	864	40	1.10	GSA100R77		25	413	56.92	13	1.80		
1.7	5479	812	40	1.20	GSAF100R77		26	445	53.87	13	1.75		
2.0	4647	688	40	1.40			28	408	49.38	12	1.80		
2.3	4062	602	40	1.50		32	362	43.33	12	1.90			
2.0	4203	714	28	0.90			16	573	85.83	7.5	0.85		
2.2	4528	626	18	0.85	GS97R57	4P	18	525	78.00	8.0	0.95		
2.6	3891	538	30	1.00	GSF97R57		21	523	65.63	8.1	0.95		
2.9	3552	484	32	1.10	GSA97R57		22	500	62.35	8.3	0.95		
3.3	3082	420	33	1.25	GSAF97R57		26	442	54.70	8.4	1.05	GS67	
3.7	2786	376	33	1.40			30	378	46.40	8.2	1.25	GSF67	
4.3	2435	327	34	1.65		33	344	41.89	8.0	1.30	GSA67		
							38	304	36.85	7.8	1.40	GSAF67	
2.9	2792	485	16	0.80			40	286	34.80	7.8	1.40		
3.2	2573	435	25	0.90			47	247	29.63	7.5	1.50		
3.7	2235	378	26	1.00	GS87R57	4P	52	225	26.93	7.4	1.55		
4.3	1777	323	27	1.15	GSF87R57		58	209	24.00	6.7	1.60		
5.0	2315	281	27	1.10	GSA87R57		65	189	21.67	6.6	1.70		
5.5	1993	255	27	1.25	GSAF87R57		73	166	19.06	6.5	1.75	GS67	
6.3	1735	222	27	1.35			78	158	18.00	6.3	1.80	GSF67	
6.8	1637	205	28	1.40		91	135	15.33	6.1	1.90	GSA67		
2.5	3482	271.63	40	1.60	GS100	8P	101	124	13.93	5.9	1.95	GSAF67	
3.0	2999	229.96	38	1.70	GSF100		43	265	32.48	6.3	0.90		
3.2	2778	212.81	37	1.75	GSA100		48	238	29.00	6.2	1.00		
					GSAF100	57	205	24.77	6.0	1.15			
3.5	2571	271.63	36	1.85	GS100	6P	60	193	23.20	6.0	1.25	GS57	
4.1	2182	229.96	34	2.00	GSF100		72	164	19.54	5.8	1.30	GSF57	
4.4	2031	212.81	34	2.05	GSA100		79	155	17.80	5.2	1.35	GSA57	
4.9	1842	190.74	32	2.15	GSAF100	93	132	15.12	5.1	1.40	GSAF57		
2.4	3637	286.40	31	1.05	GS97	8P	104	119	13.50	5.0	1.45		
2.6	3369	262.22	32	1.15	GSF97		121	102	11.53	4.8	1.55		
2.9	3012	231.67	33	1.25	GSA97		130	96	10.80	4.7	1.60		
3.5	2585	196.52	33	1.45	GSAF97		154	82	9.10	4.6	1.70		
3.3	2792	286.40	33	1.35	GS97		104	118	13.50	2.5	0.85	GS47	
3.6	2587	262.22	33	1.45	GSF97	121	102	11.53	2.5	1.00	GSF47		
4.1	2314	231.67	34	1.65	GSA97	130	95	10.80	2.5	1.10	GSA47		
4.8	1987	196.52	34	1.75	GSAF97	154	81	9.10	2.5	1.25	GSAF47		
4.9	1903	286.40	34	1.80	GS97	174	72	8.04	2.4	1.30			
5.3	1764	262.22	34	1.85	GSF97								
6.0	1578	231.67	35	1.95	GSA97								
7.1	1356	196.52	35	2.10	GSAF97								

选型参数表
(恒功率)
Selection Table
(Constant Power)

n_a [r/min]	Ma [Nm]	i	F_{ra} [kN]	f_B	机型号 Type size	极数 Pole	n_a [r/min]	Ma [Nm]	i	F_{ra} [kN]	f_B	机型号 Type size	极数 Pole		
1.5kW							2.2kW								
297	43	9.57	1.3	0.85	GS37	2P	21	683	66.67	13	1.40		4P		
					GSF37			23	743	63.03	12	1.35		GS77	
375	34	7.57	1.3	0.90	GSA37			25	598	56.92	12	1.50		GSF77	
					GSAF37			27	644	53.87	11	1.45		GSA77	
2.2kW							2.2kW								
2.1	6672	688	40	1.00	GS100R77	4P	29	594	49.38	11	1.50	GSAF77		4P	
2.4	5832	602	40	1.10	GSF100R77			33	523	43.33	11	1.55			
2.6	5274	544	40	1.25	GSA100R77			35	496	41.07	11	1.60			
3.0	4610	476	40	1.40	GSAF100R77			40	437	35.94	11	1.65			GS77
3.5	4656	409	40	1.40				44	397	32.38	10	1.75			GSF77
3.4	4457	420	18	0.90	GS97R57	4P	50	351	28.41	10	1.80	GSA77			
3.8	4028	376	27	1.00	GSF97R57			57	312	25.07	10	1.90	GSAF77		
4.4	3522	327	32	1.20	GSA97R57			60	303	23.87	9.0	1.95			
5.0	3124	287	33	1.35	GSAF97R57			68	267	20.89	8.9	2.05			
5.7	2772	252	33	1.50				31	546	46.40	7.1	0.95			
3.5	3771	271.63	35	1.50	GS100	6P	34	497	41.89	7.1	1.05		4P		
4.1	3200	229.96	33	1.65	GSA100			39	439	36.85	7.0	1.15			
4.4	2979	212.81	33	1.70	GSAF100			41	413	34.80	7.0	1.20			
4.9	2701	190.74	32	1.75	GSF100			48	357	29.63	6.8	1.25			
5.3	2543	271.63	31	1.80			53	327	26.93	6.7	1.30				
6.2	2205	229.96	30	1.95	GS100	4P	61	286	23.33	6.6	1.35	GS67			
6.7	2066	212.81	29	2.00	GSF100			66	274	21.67	5.8	1.40		GSF67	
7.5	1874	190.74	28	2.10	GSA100			75	242	19.06	5.7	1.45		GSA67	
8.3	1713	172.20	27	2.15	GSAF100			79	229	18.00	5.7	1.50		GSAF67	
9.1	1576	156.41	26	2.20				93	196	15.33	5.6	1.60			
3.3	4056	286.40	29	1.00	GS97	6P	103	179	13.93	5.5	1.65		4P		
3.6	3759	262.22	31	1.30	GSF97			118	156	12.07	5.4	1.70			
4.1	3321	231.67	32	1.35	GSA97			136	137	10.50	5.3	1.80			
4.8	2852	196.52	33	1.45	GSAF97			156	120	9.17	5.2	1.90			
5.0	2786	286.40	33	1.45			184	103	7.79	5.0	2.00				
5.5	2551	262.22	33	1.55			106	172	13.50	4.4	1.00	GS57			
6.2	2282	231.67	34	1.65			124	148	11.53	4.4	1.15	GSF57			
7.3	1986	196.52	34	1.75	GS97	4P	132	139	10.80	4.3	1.20	GSA57			
7.9	1828	180.95	34	1.80	GSF97			157	118	9.10	4.2	1.40		GSAF57	
8.8	1657	161.74	34	1.85	GSA97			178	105	8.04	4.2	1.45			
9.8	1502	145.60	35	1.95	GSAF97										
11	1370	131.85	35	2.05											
12	1231	116.92	35	2.10			3.0kW								
14	1128	105.71	35	2.20			2.6	7192	544	40	0.90	GS100R77	4p		
16	976	89.60	35	2.35			3.0	6286	476	40	1.05	GSF100R77			
5.5	2301	258.18	25	1.00			3.5	6349	409	40	1.05	GSA100R77			
6.4	2040	222.40	26	1.10			4.1	5458	352	40	1.20	GSAF100R77			
7.0	1862	202.96	27	1.25			4.7	4764	307	40	1.35				
7.9	1675	180.00	27	1.35			5.0	4260	287	23	1.00	GS97R57	4P		
9.5	1441	151.30	27	1.45			5.7	3780	252	31	1.10	GSF97R57			
10	1335	139.05	28	1.50	GS87	4P	6.5	3285	219	32	1.30	GSA97R57			
12	1205	123.48	28	1.55	GSF87			7.0	3075	205	33	1.35		GSAF97R57	
13	1086	110.40	28	1.60	GSA87			3.5	5047	271.63	33	1.30	GS100		
14	992	99.26	28	1.70	GSAF87			4.2	4297	229.96	32	1.40	GSF100		
17	874	86.15	28	1.75				4.5	3986	212.81	31	1.45	GSA100		
17	980	81.76	28	1.65			5.0	3606	190.74	30	1.50	GSAF100			
19	802	77.14	28	1.80			5.3	3468	271.63	30	1.55		4P		
20	850	70.43	28	1.75			6.2	3007	229.96	29	1.65	GS100			
22	780	64.27	28	1.80			6.7	2817	212.81	28	1.70	GSF100			
25	696	57.00	28	1.90			7.5	2556	190.74	27	1.75	GSA100			
							8.3	2336	172.20	26	1.85	GSAF100			
11	1227	130.00	6	1.00			9.1	2149	156.41	26	1.90		4P		
12	1163	123.20	11	1.05	GS77	4P	5.0	3799	286.40	31	1.05				
13	1035	107.83	12	1.20	GSF77			5.5	3478	262.22	32	1.15		GS97	
15	940	97.14	13	1.25	GSA77			6.2	3111	231.67	32	1.30		GSF97	
17	838	85.22	13	1.30	GSAF77			7.3	2708	196.52	33	1.45		GSA97	
19	751	75.20	13	1.35				7.9	2493	180.95	33	1.55		GSAF97	
								8.8	2259	161.74	34	1.60			
								9.8	2048	145.60	34	1.65			

选型参数表
(恒功率)

Selection Table
(Constant Power)

n_a [r/min]	Ma [Nm]	i	F_{ra} [kN]	f_B	机型号 Type size	极数 Pole	n_a [r/min]	Ma [Nm]	i	F_{ra} [kN]	f_B	机型号 Type size	极数 Pole																																																																																																																																																																																																																																																																																																																																																																																																																																																																																																																																																																																																																																																																																																																																																																																																																																																
3.0kW							4.0kW																																																																																																																																																																																																																																																																																																																																																																																																																																																																																																																																																																																																																																																																																																																																																																																																																																																						
11	1868	131.85	34	1.75	GS97	4P	6.6	4320	219	21	0.95	GS97R57	4P																																																																																																																																																																																																																																																																																																																																																																																																																																																																																																																																																																																																																																																																																																																																																																																																																																																
12	1679	116.92	34	1.80	GSF97		14	1539	105.71	35	1.90	GSA97		16	1331	89.60	35	2.00	GSAF97	18	1333	80.85	35	2.00		7.9	2285	180.00	26	1.00		6P	3.5	6729	271.63	31	1.00	GS100	9.5	1965	151.30	27	1.15		10	1820	139.05	27	1.25		12	1643	123.48	27	1.30		13	1481	110.40	27	1.40		14	1352	99.26	28	1.45		4P	4.2	5730	229.96	30	1.15	GSF100	17	1192	86.15	28	1.50	GS87	17	1336	81.76	28	1.40	GSF87	19	1094	77.14	28	1.55	GSA87	20	1158	70.43	28	1.50	GSAF87	22	1064	64.27	28	1.55		4.5	5315	212.81	30	1.20	GSA100	25	950	57.00	28	1.65		5.0	4809	190.74	29	1.30	GSAF100	30	801	47.91	28	1.75		5.3	4592	271.63	29	1.35		32	739	44.03	28	1.80		6.3	3981	229.96	28	1.45		37	660	39.10	28	1.90		6.8	3730	212.81	27	1.50		41	594	34.96	28	1.95		7.5	3384	190.74	26	1.55		17	1143	85.22	11	1.05		8.4	3093	172.20	26	1.60	GS100	19	1039	75.20	12	1.15		9.2	2845	156.41	25	1.65	GSF100	21	937	66.67	12	1.20		10	2557	138.77	24	1.75	GSA100	23	1027	63.03	10	1.15	GS77	4P	11	2350	125.93	23	1.80	GSAF100	25	815	56.92	11	1.30	GSF77	27	878	53.87	10	1.25	GSA77	29	810	49.38	10	1.25	GSAF77	33	713	43.33	10	1.35		13	2060	108.24	22	1.90		35	676	41.07	10	1.35		15	1783	94.48	21	2.00		40	596	35.94	10	1.45		18	1711	80.13	21	2.10		44	541	32.38	10	1.50		21	1552	70.04	20	2.20		50	478	28.41	10	1.55		22	1409	65.10	19	2.25		57	425	25.07	9.3	1.65		6.2	4091	231.67	27	1.00		60	414	23.87	8.2	1.65	GS77	4P	7.3	3560	196.52	32	1.10		68	364	20.89	8.2	1.75	GSF77	76	329	18.82	8.0	1.80	GSA77	87	291	16.51	8.0	1.90	GSAF77	98	258	14.57	7.8	2.00		8.0	3300	180.95	32	1.20		111	231	12.92	7.7	2.10		8.9	2971	161.74	33	1.35		130	198	11.03	7.5	2.20		9.9	2693	145.60	33	1.45	GS97	148	175	9.69	7.3	2.30		11	2456	131.85	34	1.50	GSF97	41	564	34.80	6.0	0.85		12	2208	116.92	34	1.60	GSA97	48	487	29.63	6.0	1.00		14	2023	105.71	34	1.65	GSAF97	53	446	26.93	6.0	1.10		16	1751	89.60	34	1.75		61	390	23.33	6.0	1.15		18	1753	80.85	34	1.75		66	373	21.67	5.2	1.20	GS67	4P	20	1568	71.43	35	1.85		75	330	19.06	5.0	1.25	GSF67	79	312	18.00	5.0	1.30	GSA67	93	268	15.33	5.0	1.35	GSAF67	103	244	13.93	4.9	1.40		24	1335	60.59	35	1.95		118	213	12.07	4.9	1.50		26	1233	55.79	35	2.00		136	187	10.50	4.8	1.55		12	2160	123.48	26	0.95		156	164	9.17	4.7	1.65		13	1947	110.40	27	1.00		184	140	7.79	4.6	1.75		15	1778	99.26	27	1.10		132	190	10.80	3.8	0.90	GS57	4P	17	1580	86.15	27	1.20		157	161	9.10	3.8	1.00	GSF57	178	143	8.04	3.8	1.20	GSA57						GSAF57													18	1757	81.76	27	0.90								19	1438	77.14	28	1.25								20	1523	70.43	27	1.05	GS87							22	1399	64.27	28	1.14	GSF87							25	1249	57.00	28	1.30	GSA87							30	1053	47.91	28	1.50	GSAF87							33	971	44.03	28	1.55								37	868	39.10	28	1.65								41	782	34.96	28	1.70								46	707	31.43	28	1.80								53	618	27.28	27	1.85								60	551	23.92	25	1.95								25	1072	56.92	10	0.90								27	1154	53.87	8.8	0.95								29	1065	49.38	8.9	1.05								33	938	43.33	8.9	1.15	GS77							35	892	41.07	8.9	1.20	GSF77							40	784	35.94	8.9	1.25	GSA77							44	712	32.38	8.8	1.30	GSAF77							51	629	28.41	8.7	1.35								57	559	25.07	8.6	1.40								60	539	23.87	7.3	1.30	
14	1539	105.71	35	1.90	GSA97		16	1331	89.60	35	2.00	GSAF97		18	1333	80.85	35	2.00		7.9	2285	180.00	26	1.00		6P	3.5	6729	271.63	31	1.00		GS100	9.5	1965	151.30	27	1.15		10	1820	139.05	27	1.25		12	1643	123.48	27	1.30		13	1481	110.40	27	1.40		14	1352	99.26	28	1.45		4P	4.2	5730	229.96	30		1.15	GSF100	17	1192	86.15	28	1.50	GS87	17	1336	81.76	28	1.40	GSF87	19	1094	77.14	28	1.55	GSA87	20	1158	70.43	28	1.50	GSAF87	22	1064	64.27	28	1.55		4.5	5315	212.81	30	1.20	GSA100	25	950	57.00	28	1.65		5.0	4809	190.74	29	1.30	GSAF100	30	801	47.91	28	1.75		5.3	4592	271.63	29	1.35		32	739	44.03	28	1.80		6.3	3981	229.96	28	1.45		37	660	39.10	28	1.90		6.8	3730	212.81	27	1.50		41	594	34.96	28	1.95		7.5	3384	190.74	26	1.55		17	1143	85.22	11	1.05		8.4	3093	172.20	26	1.60	GS100	19	1039	75.20	12	1.15		9.2	2845	156.41	25	1.65	GSF100	21	937	66.67	12	1.20		10	2557	138.77	24	1.75	GSA100	23	1027	63.03	10	1.15	GS77	4P	11	2350	125.93		23	1.80	GSAF100	25	815	56.92	11	1.30	GSF77	27	878	53.87	10	1.25	GSA77	29	810	49.38	10	1.25	GSAF77	33	713	43.33	10	1.35		13	2060	108.24	22	1.90		35	676	41.07	10	1.35		15	1783	94.48	21	2.00		40	596	35.94	10	1.45		18	1711	80.13	21	2.10		44	541	32.38	10	1.50		21	1552	70.04	20	2.20		50	478	28.41	10	1.55		22	1409	65.10	19	2.25		57	425	25.07	9.3	1.65		6.2	4091	231.67	27	1.00		60	414	23.87	8.2	1.65	GS77	4P	7.3	3560		196.52	32	1.10		68	364	20.89	8.2	1.75	GSF77	76	329	18.82	8.0	1.80	GSA77	87	291	16.51	8.0	1.90	GSAF77	98	258	14.57	7.8	2.00		8.0	3300	180.95	32	1.20		111	231	12.92	7.7	2.10		8.9	2971	161.74	33	1.35		130	198	11.03	7.5	2.20		9.9	2693	145.60	33	1.45	GS97	148	175	9.69	7.3	2.30		11	2456	131.85	34	1.50	GSF97	41	564	34.80	6.0	0.85		12	2208	116.92	34	1.60	GSA97	48	487	29.63	6.0	1.00		14	2023	105.71	34	1.65	GSAF97	53	446	26.93	6.0	1.10		16	1751	89.60	34	1.75		61	390	23.33	6.0	1.15		18	1753	80.85	34	1.75		66	373	21.67	5.2	1.20	GS67	4P	20		1568	71.43	35	1.85		75	330	19.06	5.0	1.25	GSF67	79	312	18.00	5.0	1.30	GSA67	93	268	15.33	5.0	1.35	GSAF67	103	244	13.93	4.9	1.40		24	1335	60.59	35	1.95		118	213	12.07	4.9	1.50		26	1233	55.79	35	2.00		136	187	10.50	4.8	1.55		12	2160	123.48	26	0.95		156	164	9.17	4.7	1.65		13	1947	110.40	27	1.00		184	140	7.79	4.6	1.75		15	1778	99.26	27	1.10		132	190	10.80	3.8	0.90	GS57	4P		17	1580	86.15	27	1.20		157	161	9.10	3.8	1.00	GSF57	178	143	8.04	3.8	1.20	GSA57						GSAF57													18	1757	81.76	27	0.90								19	1438	77.14	28	1.25								20	1523	70.43	27	1.05	GS87							22	1399	64.27	28	1.14	GSF87							25	1249	57.00	28	1.30	GSA87							30	1053	47.91	28	1.50	GSAF87							33	971	44.03	28	1.55								37	868	39.10	28	1.65								41	782	34.96	28	1.70								46	707	31.43	28	1.80								53	618	27.28	27	1.85								60	551	23.92	25	1.95								25	1072	56.92	10	0.90								27	1154	53.87	8.8	0.95								29	1065	49.38	8.9	1.05								33	938	43.33	8.9	1.15	GS77							35	892	41.07	8.9	1.20	GSF77							40	784	35.94	8.9	1.25	GSA77							44	712	32.38	8.8	1.30	GSAF77							51	629	28.41	8.7	1.35								57	559	25.07	8.6	1.40								60	539	23.87	7.3	1.30	
16	1331	89.60	35	2.00	GSAF97		18	1333	80.85	35	2.00			7.9	2285	180.00	26	1.00		6P	3.5	6729	271.63	31	1.00		GS100	9.5	1965	151.30	27		1.15		10	1820	139.05	27	1.25		12	1643	123.48	27	1.30		13	1481	110.40	27	1.40		14	1352	99.26	28	1.45		4P	4.2	5730	229.96	30		1.15	GSF100	17	1192		86.15	28	1.50	GS87	17	1336	81.76	28	1.40	GSF87	19	1094	77.14	28	1.55	GSA87	20	1158	70.43	28	1.50	GSAF87	22	1064	64.27	28	1.55		4.5	5315	212.81	30	1.20	GSA100	25	950	57.00	28	1.65		5.0	4809	190.74	29	1.30	GSAF100	30	801	47.91	28	1.75		5.3	4592	271.63	29	1.35		32	739	44.03	28	1.80		6.3	3981	229.96	28	1.45		37	660	39.10	28	1.90		6.8	3730	212.81	27	1.50		41	594	34.96	28	1.95		7.5	3384	190.74	26	1.55		17	1143	85.22	11	1.05		8.4	3093	172.20	26	1.60	GS100	19	1039	75.20	12	1.15		9.2	2845	156.41	25	1.65	GSF100	21	937	66.67	12	1.20		10	2557	138.77	24	1.75	GSA100	23	1027	63.03	10	1.15	GS77	4P	11	2350	125.93		23	1.80	GSAF100		25	815	56.92	11	1.30	GSF77	27	878	53.87	10	1.25	GSA77	29	810	49.38	10	1.25	GSAF77	33	713	43.33	10	1.35		13	2060	108.24	22	1.90		35	676	41.07	10	1.35		15	1783	94.48	21	2.00		40	596	35.94	10	1.45		18	1711	80.13	21	2.10		44	541	32.38	10	1.50		21	1552	70.04	20	2.20		50	478	28.41	10	1.55		22	1409	65.10	19	2.25		57	425	25.07	9.3	1.65		6.2	4091	231.67	27	1.00		60	414	23.87	8.2	1.65	GS77	4P	7.3	3560		196.52	32		1.10		68	364	20.89	8.2	1.75	GSF77	76	329	18.82	8.0	1.80	GSA77	87	291	16.51	8.0	1.90	GSAF77	98	258	14.57	7.8	2.00		8.0	3300	180.95	32	1.20		111	231	12.92	7.7	2.10		8.9	2971	161.74	33	1.35		130	198	11.03	7.5	2.20		9.9	2693	145.60	33	1.45	GS97	148	175	9.69	7.3	2.30		11	2456	131.85	34	1.50	GSF97	41	564	34.80	6.0	0.85		12	2208	116.92	34	1.60	GSA97	48	487	29.63	6.0	1.00		14	2023	105.71	34	1.65	GSAF97	53	446	26.93	6.0	1.10		16	1751	89.60	34	1.75		61	390	23.33	6.0	1.15		18	1753	80.85	34	1.75		66	373	21.67	5.2	1.20	GS67	4P	20		1568		71.43	35	1.85		75	330	19.06	5.0	1.25	GSF67	79	312	18.00	5.0	1.30	GSA67	93	268	15.33	5.0	1.35	GSAF67	103	244	13.93	4.9	1.40		24	1335	60.59	35	1.95		118	213	12.07	4.9	1.50		26	1233	55.79	35	2.00		136	187	10.50	4.8	1.55		12	2160	123.48	26	0.95		156	164	9.17	4.7	1.65		13	1947	110.40	27	1.00		184	140	7.79	4.6	1.75		15	1778	99.26	27	1.10		132	190	10.80	3.8	0.90	GS57	4P			17	1580	86.15	27	1.20		157	161	9.10	3.8	1.00	GSF57	178	143	8.04	3.8	1.20	GSA57						GSAF57													18	1757	81.76	27	0.90								19	1438	77.14	28	1.25								20	1523	70.43	27	1.05	GS87							22	1399	64.27	28	1.14	GSF87							25	1249	57.00	28	1.30	GSA87							30	1053	47.91	28	1.50	GSAF87							33	971	44.03	28	1.55								37	868	39.10	28	1.65								41	782	34.96	28	1.70								46	707	31.43	28	1.80								53	618	27.28	27	1.85								60	551	23.92	25	1.95								25	1072	56.92	10	0.90								27	1154	53.87	8.8	0.95								29	1065	49.38	8.9	1.05								33	938	43.33	8.9	1.15	GS77							35	892	41.07	8.9	1.20	GSF77							40	784	35.94	8.9	1.25	GSA77							44	712	32.38	8.8	1.30	GSAF77							51	629	28.41	8.7	1.35								57	559	25.07	8.6	1.40								60	539	23.87	7.3	1.30	
18	1333	80.85	35	2.00			7.9	2285	180.00	26	1.00			6P	3.5	6729	271.63	31	1.00		GS100	9.5	1965	151.30	27		1.15		10	1820	139.05		27	1.25		12	1643	123.48	27	1.30		13	1481	110.40	27	1.40		14	1352	99.26	28	1.45		4P	4.2	5730	229.96	30		1.15	GSF100	17	1192		86.15	28	1.50	GS87		17	1336	81.76	28	1.40	GSF87	19	1094	77.14	28	1.55	GSA87	20	1158	70.43	28	1.50	GSAF87	22	1064	64.27	28	1.55		4.5	5315	212.81	30	1.20	GSA100	25	950	57.00	28	1.65		5.0	4809	190.74	29	1.30	GSAF100	30	801	47.91	28	1.75		5.3	4592	271.63	29	1.35		32	739	44.03	28	1.80		6.3	3981	229.96	28	1.45		37	660	39.10	28	1.90		6.8	3730	212.81	27	1.50		41	594	34.96	28	1.95		7.5	3384	190.74	26	1.55		17	1143	85.22	11	1.05		8.4	3093	172.20	26	1.60	GS100	19	1039	75.20	12	1.15		9.2	2845	156.41	25	1.65	GSF100	21	937	66.67	12	1.20		10	2557	138.77	24	1.75	GSA100	23	1027	63.03	10	1.15	GS77	4P	11	2350	125.93		23	1.80	GSAF100		25	815	56.92		11	1.30	GSF77	27	878	53.87	10	1.25	GSA77	29	810	49.38	10	1.25	GSAF77	33	713	43.33	10	1.35		13	2060	108.24	22	1.90		35	676	41.07	10	1.35		15	1783	94.48	21	2.00		40	596	35.94	10	1.45		18	1711	80.13	21	2.10		44	541	32.38	10	1.50		21	1552	70.04	20	2.20		50	478	28.41	10	1.55		22	1409	65.10	19	2.25		57	425	25.07	9.3	1.65		6.2	4091	231.67	27	1.00		60	414	23.87	8.2	1.65	GS77	4P	7.3	3560		196.52	32		1.10			68	364	20.89	8.2	1.75	GSF77	76	329	18.82	8.0	1.80	GSA77	87	291	16.51	8.0	1.90	GSAF77	98	258	14.57	7.8	2.00		8.0	3300	180.95	32	1.20		111	231	12.92	7.7	2.10		8.9	2971	161.74	33	1.35		130	198	11.03	7.5	2.20		9.9	2693	145.60	33	1.45	GS97	148	175	9.69	7.3	2.30		11	2456	131.85	34	1.50	GSF97	41	564	34.80	6.0	0.85		12	2208	116.92	34	1.60	GSA97	48	487	29.63	6.0	1.00		14	2023	105.71	34	1.65	GSAF97	53	446	26.93	6.0	1.10		16	1751	89.60	34	1.75		61	390	23.33	6.0	1.15		18	1753	80.85	34	1.75		66	373	21.67	5.2	1.20	GS67	4P	20		1568		71.43		35	1.85		75	330	19.06	5.0	1.25	GSF67	79	312	18.00	5.0	1.30	GSA67	93	268	15.33	5.0	1.35	GSAF67	103	244	13.93	4.9	1.40		24	1335	60.59	35	1.95		118	213	12.07	4.9	1.50		26	1233	55.79	35	2.00		136	187	10.50	4.8	1.55		12	2160	123.48	26	0.95		156	164	9.17	4.7	1.65		13	1947	110.40	27	1.00		184	140	7.79	4.6	1.75		15	1778	99.26	27	1.10		132	190	10.80	3.8	0.90	GS57	4P				17	1580	86.15	27	1.20		157	161	9.10	3.8	1.00	GSF57	178	143	8.04	3.8	1.20	GSA57						GSAF57													18	1757	81.76	27	0.90								19	1438	77.14	28	1.25								20	1523	70.43	27	1.05	GS87							22	1399	64.27	28	1.14	GSF87							25	1249	57.00	28	1.30	GSA87							30	1053	47.91	28	1.50	GSAF87							33	971	44.03	28	1.55								37	868	39.10	28	1.65								41	782	34.96	28	1.70								46	707	31.43	28	1.80								53	618	27.28	27	1.85								60	551	23.92	25	1.95								25	1072	56.92	10	0.90								27	1154	53.87	8.8	0.95								29	1065	49.38	8.9	1.05								33	938	43.33	8.9	1.15	GS77							35	892	41.07	8.9	1.20	GSF77							40	784	35.94	8.9	1.25	GSA77							44	712	32.38	8.8	1.30	GSAF77							51	629	28.41	8.7	1.35								57	559	25.07	8.6	1.40								60	539	23.87	7.3	1.30	
7.9	2285	180.00	26	1.00		6P	3.5	6729	271.63	31	1.00	GS100																																																																																																																																																																																																																																																																																																																																																																																																																																																																																																																																																																																																																																																																																																																																																																																																																																																	
9.5	1965	151.30	27	1.15			10	1820	139.05	27	1.25		12		1643	123.48	27	1.30			13	1481	110.40	27	1.40			14	1352	99.26	28	1.45		4P	4.2	5730	229.96	30	1.15	GSF100	17	1192	86.15	28	1.50	GS87	17	1336	81.76	28	1.40	GSF87	19		1094	77.14	28	1.55		GSA87	20	1158	70.43		28	1.50	GSAF87	22	1064	64.27	28	1.55		4.5	5315	212.81	30	1.20	GSA100	25	950	57.00	28	1.65		5.0	4809	190.74	29	1.30	GSAF100	30	801	47.91	28	1.75		5.3	4592	271.63	29	1.35		32	739	44.03	28	1.80		6.3	3981	229.96	28	1.45		37	660	39.10	28	1.90		6.8	3730	212.81	27	1.50		41	594	34.96	28	1.95		7.5	3384	190.74	26	1.55		17	1143	85.22	11	1.05		8.4	3093	172.20	26	1.60	GS100	19	1039	75.20	12	1.15		9.2	2845	156.41	25	1.65	GSF100	21	937	66.67	12	1.20		10	2557	138.77	24	1.75	GSA100	23	1027	63.03	10	1.15	GS77	4P	11	2350	125.93	23	1.80	GSAF100	25	815	56.92	11	1.30	GSF77	27	878	53.87	10	1.25	GSA77	29		810	49.38	10		1.25	GSAF77	33		713	43.33	10	1.35		13	2060	108.24	22	1.90		35	676	41.07	10	1.35		15	1783	94.48	21	2.00		40	596	35.94	10	1.45		18	1711	80.13	21	2.10		44	541	32.38	10	1.50		21	1552	70.04	20	2.20		50	478	28.41	10	1.55		22	1409	65.10	19	2.25		57	425	25.07	9.3	1.65		6.2	4091	231.67	27	1.00		60	414	23.87	8.2	1.65	GS77	4P	7.3	3560	196.52	32	1.10		68	364	20.89	8.2	1.75	GSF77	76	329	18.82	8.0	1.80	GSA77	87		291	16.51		8.0	1.90		GSAF77	98	258	14.57	7.8	2.00		8.0	3300	180.95	32	1.20		111	231	12.92	7.7	2.10		8.9	2971	161.74	33	1.35		130	198	11.03	7.5	2.20		9.9	2693	145.60	33	1.45	GS97	148	175	9.69	7.3	2.30		11	2456	131.85	34	1.50	GSF97	41	564	34.80	6.0	0.85		12	2208	116.92	34	1.60	GSA97	48	487	29.63	6.0	1.00		14	2023	105.71	34	1.65	GSAF97	53	446	26.93	6.0	1.10		16	1751	89.60	34	1.75		61	390	23.33	6.0	1.15		18	1753	80.85	34	1.75		66	373	21.67	5.2	1.20	GS67	4P	20	1568	71.43	35	1.85		75	330	19.06	5.0	1.25	GSF67	79	312	18.00	5.0	1.30	GSA67	93		268		15.33		5.0	1.35	GSAF67	103	244	13.93	4.9	1.40		24	1335	60.59	35	1.95		118	213	12.07	4.9	1.50		26	1233	55.79	35	2.00		136	187	10.50	4.8	1.55		12	2160	123.48	26	0.95		156	164	9.17	4.7	1.65		13	1947	110.40	27	1.00		184	140	7.79	4.6	1.75		15	1778	99.26	27	1.10		132	190	10.80	3.8	0.90	GS57	4P	17	1580	86.15	27	1.20		157	161	9.10	3.8	1.00	GSF57	178	143	8.04	3.8	1.20	GSA57									GSAF57													18	1757	81.76	27	0.90								19	1438	77.14	28	1.25								20	1523	70.43	27	1.05	GS87							22	1399	64.27	28	1.14	GSF87							25	1249	57.00	28	1.30	GSA87							30	1053	47.91	28	1.50	GSAF87							33	971	44.03	28	1.55								37	868	39.10	28	1.65								41	782	34.96	28	1.70								46	707	31.43	28	1.80								53	618	27.28	27	1.85								60	551	23.92	25	1.95								25	1072	56.92	10	0.90								27	1154	53.87	8.8	0.95								29	1065	49.38	8.9	1.05								33	938	43.33	8.9	1.15	GS77							35	892	41.07	8.9	1.20	GSF77							40	784	35.94	8.9	1.25	GSA77							44	712	32.38	8.8	1.30	GSAF77							51	629	28.41	8.7	1.35								57	559	25.07	8.6	1.40								60	539	23.87	7.3	1.30																					
10	1820	139.05	27	1.25			12	1643	123.48	27	1.30		13		1481	110.40	27	1.40			14	1352	99.26	28	1.45		4P	4.2	5730	229.96	30	1.15	GSF100		17	1192	86.15	28	1.50	GS87	17	1336	81.76	28	1.40	GSF87	19	1094	77.14	28	1.55	GSA87	20		1158	70.43	28	1.50		GSAF87	22	1064	64.27	28	1.55		4.5	5315	212.81	30	1.20	GSA100	25	950	57.00	28	1.65		5.0	4809	190.74	29	1.30	GSAF100	30	801	47.91	28	1.75		5.3	4592	271.63	29	1.35		32	739	44.03	28	1.80		6.3	3981	229.96	28	1.45		37	660	39.10	28	1.90		6.8	3730	212.81	27	1.50		41	594	34.96	28	1.95		7.5	3384	190.74	26	1.55		17	1143	85.22	11	1.05		8.4	3093	172.20	26	1.60	GS100	19	1039	75.20	12	1.15		9.2	2845	156.41	25	1.65	GSF100	21	937	66.67	12	1.20		10	2557	138.77	24	1.75	GSA100	23	1027	63.03	10	1.15	GS77	4P	11	2350	125.93	23	1.80	GSAF100		25	815	56.92	11	1.30	GSF77	27	878	53.87	10	1.25	GSA77	29	810	49.38	10	1.25	GSAF77	33		713	43.33	10		1.35		13	2060	108.24	22	1.90		35	676	41.07	10	1.35		15	1783	94.48	21	2.00		40	596	35.94	10	1.45		18	1711	80.13	21	2.10		44	541	32.38	10	1.50		21	1552	70.04	20	2.20		50	478	28.41	10	1.55		22	1409	65.10	19	2.25		57	425	25.07	9.3	1.65		6.2	4091	231.67	27	1.00		60	414	23.87	8.2	1.65	GS77	4P	7.3	3560	196.52	32	1.10			68	364	20.89	8.2	1.75	GSF77	76	329	18.82	8.0	1.80	GSA77	87	291	16.51	8.0	1.90	GSAF77	98		258	14.57		7.8	2.00		8.0	3300	180.95	32	1.20		111	231	12.92	7.7	2.10		8.9	2971	161.74	33	1.35		130	198	11.03	7.5	2.20		9.9	2693	145.60	33	1.45	GS97	148	175	9.69	7.3	2.30		11	2456	131.85	34	1.50	GSF97	41	564	34.80	6.0	0.85		12	2208	116.92	34	1.60	GSA97	48	487	29.63	6.0	1.00		14	2023	105.71	34	1.65	GSAF97	53	446	26.93	6.0	1.10		16	1751	89.60	34	1.75		61	390	23.33	6.0	1.15		18	1753	80.85	34	1.75		66	373	21.67	5.2	1.20	GS67	4P	20	1568	71.43	35	1.85			75	330	19.06	5.0	1.25	GSF67	79	312	18.00	5.0	1.30	GSA67	93	268	15.33	5.0	1.35	GSAF67	103		244		13.93	4.9	1.40		24	1335	60.59	35	1.95		118	213	12.07	4.9	1.50		26	1233	55.79	35	2.00		136	187	10.50	4.8	1.55		12	2160	123.48	26	0.95		156	164	9.17	4.7	1.65		13	1947	110.40	27	1.00		184	140	7.79	4.6	1.75		15	1778	99.26	27	1.10		132	190	10.80	3.8	0.90	GS57	4P	17	1580	86.15	27	1.20			157	161	9.10	3.8	1.00	GSF57	178	143	8.04	3.8	1.20	GSA57						GSAF57															18	1757	81.76	27	0.90								19	1438	77.14	28	1.25								20	1523	70.43	27	1.05	GS87							22	1399	64.27	28	1.14	GSF87							25	1249	57.00	28	1.30	GSA87							30	1053	47.91	28	1.50	GSAF87							33	971	44.03	28	1.55								37	868	39.10	28	1.65								41	782	34.96	28	1.70								46	707	31.43	28	1.80								53	618	27.28	27	1.85								60	551	23.92	25	1.95								25	1072	56.92	10	0.90								27	1154	53.87	8.8	0.95								29	1065	49.38	8.9	1.05								33	938	43.33	8.9	1.15	GS77							35	892	41.07	8.9	1.20	GSF77							40	784	35.94	8.9	1.25	GSA77							44	712	32.38	8.8	1.30	GSAF77							51	629	28.41	8.7	1.35								57	559	25.07	8.6	1.40								60	539	23.87	7.3	1.30																												
12	1643	123.48	27	1.30			13	1481	110.40	27	1.40		14		1352	99.26	28	1.45		4P	4.2	5730	229.96	30	1.15	GSF100		17	1192	86.15	28	1.50	GS87		17	1336	81.76	28	1.40	GSF87	19	1094	77.14	28	1.55	GSA87	20	1158	70.43	28	1.50	GSAF87	22		1064	64.27	28	1.55		4.5	5315	212.81	30	1.20	GSA100	25	950	57.00	28	1.65		5.0	4809	190.74	29	1.30	GSAF100	30	801	47.91	28	1.75		5.3	4592	271.63	29	1.35		32	739	44.03	28	1.80		6.3	3981	229.96	28	1.45		37	660	39.10	28	1.90		6.8	3730	212.81	27	1.50		41	594	34.96	28	1.95		7.5	3384	190.74	26	1.55		17	1143	85.22	11	1.05		8.4	3093	172.20	26	1.60	GS100	19	1039	75.20	12	1.15		9.2	2845	156.41	25	1.65	GSF100	21	937	66.67	12	1.20		10	2557	138.77	24	1.75	GSA100	23	1027	63.03	10	1.15	GS77	4P	11	2350	125.93	23	1.80	GSAF100		25	815	56.92	11	1.30	GSF77		27	878	53.87	10	1.25	GSA77	29	810	49.38	10	1.25	GSAF77	33	713	43.33	10	1.35		13		2060	108.24	22	1.90		35	676	41.07	10	1.35		15	1783	94.48	21	2.00		40	596	35.94	10	1.45		18	1711	80.13	21	2.10		44	541	32.38	10	1.50		21	1552	70.04	20	2.20		50	478	28.41	10	1.55		22	1409	65.10	19	2.25		57	425	25.07	9.3	1.65		6.2	4091	231.67	27	1.00		60	414	23.87	8.2	1.65	GS77	4P	7.3	3560	196.52	32	1.10			68	364	20.89	8.2	1.75	GSF77		76	329	18.82	8.0	1.80	GSA77	87	291	16.51	8.0	1.90	GSAF77	98	258	14.57	7.8	2.00		8.0		3300	180.95	32	1.20		111	231	12.92	7.7	2.10		8.9	2971	161.74	33	1.35		130	198	11.03	7.5	2.20		9.9	2693	145.60	33	1.45	GS97	148	175	9.69	7.3	2.30		11	2456	131.85	34	1.50	GSF97	41	564	34.80	6.0	0.85		12	2208	116.92	34	1.60	GSA97	48	487	29.63	6.0	1.00		14	2023	105.71	34	1.65	GSAF97	53	446	26.93	6.0	1.10		16	1751	89.60	34	1.75		61	390	23.33	6.0	1.15		18	1753	80.85	34	1.75		66	373	21.67	5.2	1.20	GS67	4P	20	1568	71.43	35	1.85			75	330	19.06	5.0	1.25	GSF67		79	312	18.00	5.0	1.30	GSA67	93	268	15.33	5.0	1.35	GSAF67	103	244	13.93	4.9	1.40		24		1335	60.59	35	1.95		118	213	12.07	4.9	1.50		26	1233	55.79	35	2.00		136	187	10.50	4.8	1.55		12	2160	123.48	26	0.95		156	164	9.17	4.7	1.65		13	1947	110.40	27	1.00		184	140	7.79	4.6	1.75		15	1778	99.26	27	1.10		132	190	10.80	3.8	0.90	GS57	4P	17	1580	86.15	27	1.20			157	161	9.10	3.8	1.00	GSF57		178	143	8.04	3.8	1.20	GSA57						GSAF57														18	1757	81.76	27	0.90								19	1438	77.14	28	1.25								20	1523	70.43	27	1.05	GS87							22	1399	64.27	28	1.14	GSF87							25	1249	57.00	28	1.30	GSA87							30	1053	47.91	28	1.50	GSAF87							33	971	44.03	28	1.55								37	868	39.10	28	1.65								41	782	34.96	28	1.70								46	707	31.43	28	1.80								53	618	27.28	27	1.85								60	551	23.92	25	1.95								25	1072	56.92	10	0.90								27	1154	53.87	8.8	0.95								29	1065	49.38	8.9	1.05								33	938	43.33	8.9	1.15	GS77							35	892	41.07	8.9	1.20	GSF77							40	784	35.94	8.9	1.25	GSA77							44	712	32.38	8.8	1.30	GSAF77							51	629	28.41	8.7	1.35								57	559	25.07	8.6	1.40								60	539	23.87	7.3	1.30																																			
13	1481	110.40	27	1.40			14	1352	99.26	28	1.45		4P	4.2	5730	229.96	30	1.15	GSF100		17	1192	86.15	28	1.50	GS87		17	1336	81.76	28	1.40	GSF87		19	1094	77.14	28	1.55	GSA87	20	1158	70.43	28	1.50	GSAF87	22	1064	64.27	28	1.55		4.5	5315	212.81	30	1.20	GSA100	25	950	57.00	28	1.65		5.0	4809	190.74	29	1.30	GSAF100	30	801	47.91	28	1.75		5.3	4592	271.63	29	1.35		32	739	44.03	28	1.80		6.3	3981	229.96	28	1.45		37	660	39.10	28	1.90		6.8	3730	212.81	27	1.50		41	594	34.96	28	1.95		7.5	3384	190.74	26	1.55		17	1143	85.22	11	1.05		8.4	3093	172.20	26	1.60	GS100	19	1039	75.20	12	1.15		9.2	2845	156.41	25	1.65	GSF100	21	937	66.67	12	1.20		10	2557	138.77	24	1.75	GSA100	23	1027	63.03	10	1.15	GS77	4P	11	2350	125.93	23	1.80	GSAF100		25	815	56.92	11	1.30	GSF77		27	878	53.87	10	1.25	GSA77		29	810	49.38	10	1.25	GSAF77	33	713	43.33	10	1.35		13	2060	108.24	22	1.90		35	676	41.07	10	1.35		15	1783	94.48	21	2.00		40	596	35.94	10	1.45		18	1711	80.13	21	2.10		44	541	32.38	10	1.50		21	1552	70.04	20	2.20		50	478	28.41	10	1.55		22	1409	65.10	19	2.25		57	425	25.07	9.3	1.65		6.2	4091	231.67	27	1.00		60	414	23.87	8.2	1.65	GS77	4P	7.3	3560	196.52	32	1.10			68	364	20.89	8.2	1.75	GSF77		76	329	18.82	8.0	1.80	GSA77		87	291	16.51	8.0	1.90	GSAF77	98	258	14.57	7.8	2.00		8.0	3300	180.95	32	1.20		111	231	12.92	7.7	2.10		8.9	2971	161.74	33	1.35		130	198	11.03	7.5	2.20		9.9	2693	145.60	33	1.45	GS97	148	175	9.69	7.3	2.30		11	2456	131.85	34	1.50	GSF97	41	564	34.80	6.0	0.85		12	2208	116.92	34	1.60	GSA97	48	487	29.63	6.0	1.00		14	2023	105.71	34	1.65	GSAF97	53	446	26.93	6.0	1.10		16	1751	89.60	34	1.75		61	390	23.33	6.0	1.15		18	1753	80.85	34	1.75		66	373	21.67	5.2	1.20	GS67	4P	20	1568	71.43	35	1.85			75	330	19.06	5.0	1.25	GSF67		79	312	18.00	5.0	1.30	GSA67		93	268	15.33	5.0	1.35	GSAF67	103	244	13.93	4.9	1.40		24	1335	60.59	35	1.95		118	213	12.07	4.9	1.50		26	1233	55.79	35	2.00		136	187	10.50	4.8	1.55		12	2160	123.48	26	0.95		156	164	9.17	4.7	1.65		13	1947	110.40	27	1.00		184	140	7.79	4.6	1.75		15	1778	99.26	27	1.10		132	190	10.80	3.8	0.90	GS57	4P	17	1580	86.15	27	1.20			157	161	9.10	3.8	1.00	GSF57		178	143	8.04	3.8	1.20	GSA57							GSAF57													18	1757	81.76	27	0.90								19	1438	77.14	28	1.25								20	1523	70.43	27	1.05	GS87							22	1399	64.27	28	1.14	GSF87							25	1249	57.00	28	1.30	GSA87							30	1053	47.91	28	1.50	GSAF87							33	971	44.03	28	1.55								37	868	39.10	28	1.65								41	782	34.96	28	1.70								46	707	31.43	28	1.80								53	618	27.28	27	1.85								60	551	23.92	25	1.95								25	1072	56.92	10	0.90								27	1154	53.87	8.8	0.95								29	1065	49.38	8.9	1.05								33	938	43.33	8.9	1.15	GS77							35	892	41.07	8.9	1.20	GSF77							40	784	35.94	8.9	1.25	GSA77							44	712	32.38	8.8	1.30	GSAF77							51	629	28.41	8.7	1.35								57	559	25.07	8.6	1.40								60	539	23.87	7.3	1.30																																										
14	1352	99.26	28	1.45		4P	4.2	5730	229.96	30	1.15	GSF100																																																																																																																																																																																																																																																																																																																																																																																																																																																																																																																																																																																																																																																																																																																																																																																																																																																	
17	1192	86.15	28	1.50	GS87		17	1336	81.76	28	1.40	GSF87		19	1094	77.14	28	1.55	GSA87		20	1158	70.43	28	1.50	GSAF87		22	1064	64.27	28	1.55		4.5	5315	212.81	30	1.20	GSA100	25	950	57.00	28	1.65		5.0	4809	190.74	29	1.30	GSAF100	30	801	47.91	28	1.75		5.3	4592	271.63	29	1.35		32	739	44.03	28	1.80		6.3	3981	229.96	28	1.45		37	660	39.10	28	1.90		6.8	3730	212.81	27	1.50		41	594	34.96	28	1.95		7.5	3384	190.74	26	1.55		17	1143	85.22	11	1.05		8.4	3093	172.20	26	1.60	GS100	19	1039	75.20	12	1.15		9.2	2845	156.41	25	1.65	GSF100	21	937	66.67	12	1.20		10	2557	138.77	24	1.75	GSA100	23	1027	63.03	10	1.15	GS77	4P	11	2350	125.93	23	1.80	GSAF100	25	815	56.92	11	1.30	GSF77	27	878	53.87	10	1.25	GSA77		29	810	49.38	10	1.25	GSAF77		33	713	43.33	10	1.35			13	2060	108.24	22	1.90		35	676	41.07	10	1.35		15	1783	94.48	21	2.00		40	596	35.94	10	1.45		18	1711	80.13	21	2.10		44	541	32.38	10	1.50		21	1552	70.04	20	2.20		50	478	28.41	10	1.55		22	1409	65.10	19	2.25		57	425	25.07	9.3	1.65		6.2	4091	231.67	27	1.00		60	414	23.87	8.2	1.65	GS77	4P	7.3	3560	196.52	32	1.10		68	364	20.89	8.2	1.75	GSF77	76	329	18.82	8.0	1.80	GSA77		87	291	16.51	8.0	1.90	GSAF77		98	258	14.57	7.8	2.00			8.0	3300	180.95	32	1.20		111	231	12.92	7.7	2.10		8.9	2971	161.74	33	1.35		130	198	11.03	7.5	2.20		9.9	2693	145.60	33	1.45	GS97	148	175	9.69	7.3	2.30		11	2456	131.85	34	1.50	GSF97	41	564	34.80	6.0	0.85		12	2208	116.92	34	1.60	GSA97	48	487	29.63	6.0	1.00		14	2023	105.71	34	1.65	GSAF97	53	446	26.93	6.0	1.10		16	1751	89.60	34	1.75		61	390	23.33	6.0	1.15		18	1753	80.85	34	1.75		66	373	21.67	5.2	1.20	GS67	4P	20	1568	71.43	35	1.85		75	330	19.06	5.0	1.25	GSF67	79	312	18.00	5.0	1.30	GSA67		93	268	15.33	5.0	1.35	GSAF67		103	244	13.93	4.9	1.40			24	1335	60.59	35	1.95		118	213	12.07	4.9	1.50		26	1233	55.79	35	2.00		136	187	10.50	4.8	1.55		12	2160	123.48	26	0.95		156	164	9.17	4.7	1.65		13	1947	110.40	27	1.00		184	140	7.79	4.6	1.75		15	1778	99.26	27	1.10		132	190	10.80	3.8	0.90	GS57	4P	17	1580	86.15	27	1.20		157	161	9.10	3.8	1.00	GSF57	178	143	8.04	3.8	1.20	GSA57							GSAF57															18	1757	81.76	27	0.90								19	1438	77.14	28	1.25								20	1523	70.43	27	1.05	GS87							22	1399	64.27	28	1.14	GSF87							25	1249	57.00	28	1.30	GSA87							30	1053	47.91	28	1.50	GSAF87							33	971	44.03	28	1.55								37	868	39.10	28	1.65								41	782	34.96	28	1.70								46	707	31.43	28	1.80								53	618	27.28	27	1.85								60	551	23.92	25	1.95								25	1072	56.92	10	0.90								27	1154	53.87	8.8	0.95								29	1065	49.38	8.9	1.05								33	938	43.33	8.9	1.15	GS77							35	892	41.07	8.9	1.20	GSF77							40	784	35.94	8.9	1.25	GSA77							44	712	32.38	8.8	1.30	GSAF77							51	629	28.41	8.7	1.35								57	559	25.07	8.6	1.40								60	539	23.87	7.3	1.30																																																													
17	1336	81.76	28	1.40	GSF87		19	1094	77.14	28	1.55	GSA87		20	1158	70.43	28	1.50	GSAF87		22	1064	64.27	28	1.55		4.5	5315	212.81	30	1.20	GSA100	25	950	57.00	28	1.65		5.0	4809	190.74	29	1.30	GSAF100	30	801	47.91	28	1.75		5.3	4592	271.63	29	1.35		32	739	44.03	28	1.80		6.3	3981	229.96	28	1.45		37	660	39.10	28	1.90		6.8	3730	212.81	27	1.50		41	594	34.96	28	1.95		7.5	3384	190.74	26	1.55		17	1143	85.22	11	1.05		8.4	3093	172.20	26	1.60	GS100	19	1039	75.20	12	1.15		9.2	2845	156.41	25	1.65	GSF100	21	937	66.67	12	1.20		10	2557	138.77	24	1.75	GSA100	23	1027	63.03	10	1.15	GS77	4P	11	2350	125.93	23	1.80	GSAF100		25	815	56.92	11	1.30	GSF77	27	878	53.87	10	1.25	GSA77	29	810	49.38	10	1.25	GSAF77		33	713	43.33	10	1.35			13	2060	108.24	22	1.90		35	676	41.07	10	1.35		15	1783	94.48	21	2.00		40	596	35.94	10	1.45		18	1711	80.13	21	2.10		44	541	32.38	10	1.50		21	1552	70.04	20	2.20		50	478	28.41	10	1.55		22	1409	65.10	19	2.25		57	425	25.07	9.3	1.65		6.2	4091	231.67	27	1.00		60	414	23.87	8.2	1.65	GS77	4P	7.3	3560	196.52	32	1.10			68	364	20.89	8.2	1.75	GSF77	76	329	18.82	8.0	1.80	GSA77	87	291	16.51	8.0	1.90	GSAF77		98	258	14.57	7.8	2.00			8.0	3300	180.95	32	1.20		111	231	12.92	7.7	2.10		8.9	2971	161.74	33	1.35		130	198	11.03	7.5	2.20		9.9	2693	145.60	33	1.45	GS97	148	175	9.69	7.3	2.30		11	2456	131.85	34	1.50	GSF97	41	564	34.80	6.0	0.85		12	2208	116.92	34	1.60	GSA97	48	487	29.63	6.0	1.00		14	2023	105.71	34	1.65	GSAF97	53	446	26.93	6.0	1.10		16	1751	89.60	34	1.75		61	390	23.33	6.0	1.15		18	1753	80.85	34	1.75		66	373	21.67	5.2	1.20	GS67	4P	20	1568	71.43	35	1.85			75	330	19.06	5.0	1.25	GSF67	79	312	18.00	5.0	1.30	GSA67	93	268	15.33	5.0	1.35	GSAF67		103	244	13.93	4.9	1.40			24	1335	60.59	35	1.95		118	213	12.07	4.9	1.50		26	1233	55.79	35	2.00		136	187	10.50	4.8	1.55		12	2160	123.48	26	0.95		156	164	9.17	4.7	1.65		13	1947	110.40	27	1.00		184	140	7.79	4.6	1.75		15	1778	99.26	27	1.10		132	190	10.80	3.8	0.90	GS57	4P	17	1580	86.15	27	1.20			157	161	9.10	3.8	1.00	GSF57	178	143	8.04	3.8	1.20	GSA57						GSAF57															18	1757	81.76	27	0.90								19	1438	77.14	28	1.25								20	1523	70.43	27	1.05	GS87							22	1399	64.27	28	1.14	GSF87							25	1249	57.00	28	1.30	GSA87							30	1053	47.91	28	1.50	GSAF87							33	971	44.03	28	1.55								37	868	39.10	28	1.65								41	782	34.96	28	1.70								46	707	31.43	28	1.80								53	618	27.28	27	1.85								60	551	23.92	25	1.95								25	1072	56.92	10	0.90								27	1154	53.87	8.8	0.95								29	1065	49.38	8.9	1.05								33	938	43.33	8.9	1.15	GS77							35	892	41.07	8.9	1.20	GSF77							40	784	35.94	8.9	1.25	GSA77							44	712	32.38	8.8	1.30	GSAF77							51	629	28.41	8.7	1.35								57	559	25.07	8.6	1.40								60	539	23.87	7.3	1.30																																																																				
19	1094	77.14	28	1.55	GSA87		20	1158	70.43	28	1.50	GSAF87		22	1064	64.27	28	1.55		4.5	5315	212.81	30	1.20	GSA100	25	950	57.00	28	1.65		5.0	4809	190.74	29	1.30	GSAF100	30	801	47.91	28	1.75		5.3	4592	271.63	29	1.35		32	739	44.03	28	1.80		6.3	3981	229.96	28	1.45		37	660	39.10	28	1.90		6.8	3730	212.81	27	1.50		41	594	34.96	28	1.95		7.5	3384	190.74	26	1.55		17	1143	85.22	11	1.05		8.4	3093	172.20	26	1.60	GS100	19	1039	75.20	12	1.15		9.2	2845	156.41	25	1.65	GSF100	21	937	66.67	12	1.20		10	2557	138.77	24	1.75	GSA100	23	1027	63.03	10	1.15	GS77	4P	11	2350	125.93	23	1.80	GSAF100		25	815	56.92	11	1.30	GSF77		27	878	53.87	10	1.25	GSA77	29	810	49.38	10	1.25	GSAF77	33	713	43.33	10	1.35			13	2060	108.24	22	1.90		35	676	41.07	10	1.35		15	1783	94.48	21	2.00		40	596	35.94	10	1.45		18	1711	80.13	21	2.10		44	541	32.38	10	1.50		21	1552	70.04	20	2.20		50	478	28.41	10	1.55		22	1409	65.10	19	2.25		57	425	25.07	9.3	1.65		6.2	4091	231.67	27	1.00		60	414	23.87	8.2	1.65	GS77	4P	7.3	3560	196.52	32	1.10			68	364	20.89	8.2	1.75	GSF77		76	329	18.82	8.0	1.80	GSA77	87	291	16.51	8.0	1.90	GSAF77	98	258	14.57	7.8	2.00			8.0	3300	180.95	32	1.20		111	231	12.92	7.7	2.10		8.9	2971	161.74	33	1.35		130	198	11.03	7.5	2.20		9.9	2693	145.60	33	1.45	GS97	148	175	9.69	7.3	2.30		11	2456	131.85	34	1.50	GSF97	41	564	34.80	6.0	0.85		12	2208	116.92	34	1.60	GSA97	48	487	29.63	6.0	1.00		14	2023	105.71	34	1.65	GSAF97	53	446	26.93	6.0	1.10		16	1751	89.60	34	1.75		61	390	23.33	6.0	1.15		18	1753	80.85	34	1.75		66	373	21.67	5.2	1.20	GS67	4P	20	1568	71.43	35	1.85			75	330	19.06	5.0	1.25	GSF67		79	312	18.00	5.0	1.30	GSA67	93	268	15.33	5.0	1.35	GSAF67	103	244	13.93	4.9	1.40			24	1335	60.59	35	1.95		118	213	12.07	4.9	1.50		26	1233	55.79	35	2.00		136	187	10.50	4.8	1.55		12	2160	123.48	26	0.95		156	164	9.17	4.7	1.65		13	1947	110.40	27	1.00		184	140	7.79	4.6	1.75		15	1778	99.26	27	1.10		132	190	10.80	3.8	0.90	GS57	4P	17	1580	86.15	27	1.20			157	161	9.10	3.8	1.00	GSF57		178	143	8.04	3.8	1.20	GSA57						GSAF57														18	1757	81.76	27	0.90								19	1438	77.14	28	1.25								20	1523	70.43	27	1.05	GS87							22	1399	64.27	28	1.14	GSF87							25	1249	57.00	28	1.30	GSA87							30	1053	47.91	28	1.50	GSAF87							33	971	44.03	28	1.55								37	868	39.10	28	1.65								41	782	34.96	28	1.70								46	707	31.43	28	1.80								53	618	27.28	27	1.85								60	551	23.92	25	1.95								25	1072	56.92	10	0.90								27	1154	53.87	8.8	0.95								29	1065	49.38	8.9	1.05								33	938	43.33	8.9	1.15	GS77							35	892	41.07	8.9	1.20	GSF77							40	784	35.94	8.9	1.25	GSA77							44	712	32.38	8.8	1.30	GSAF77							51	629	28.41	8.7	1.35								57	559	25.07	8.6	1.40								60	539	23.87	7.3	1.30																																																																											
20	1158	70.43	28	1.50	GSAF87		22	1064	64.27	28	1.55		4.5	5315	212.81	30	1.20	GSA100	25	950	57.00	28	1.65		5.0	4809	190.74	29	1.30	GSAF100	30	801	47.91	28	1.75		5.3	4592	271.63	29	1.35		32	739	44.03	28	1.80		6.3	3981	229.96	28	1.45		37	660	39.10	28	1.90		6.8	3730	212.81	27	1.50		41	594	34.96	28	1.95		7.5	3384	190.74	26	1.55		17	1143	85.22	11	1.05		8.4	3093	172.20	26	1.60	GS100	19	1039	75.20	12	1.15		9.2	2845	156.41	25	1.65	GSF100	21	937	66.67	12	1.20		10	2557	138.77	24	1.75	GSA100	23	1027	63.03	10	1.15	GS77	4P	11	2350	125.93	23	1.80	GSAF100		25	815	56.92	11	1.30	GSF77		27	878	53.87	10	1.25	GSA77		29	810	49.38	10	1.25	GSAF77	33	713	43.33	10	1.35		13	2060	108.24	22	1.90		35	676	41.07	10	1.35		15	1783	94.48	21	2.00		40	596	35.94	10	1.45		18	1711	80.13	21	2.10		44	541	32.38	10	1.50		21	1552	70.04	20	2.20		50	478	28.41	10	1.55		22	1409	65.10	19	2.25		57	425	25.07	9.3	1.65		6.2	4091	231.67	27	1.00		60	414	23.87	8.2	1.65	GS77	4P	7.3	3560	196.52	32	1.10			68	364	20.89	8.2	1.75	GSF77		76	329	18.82	8.0	1.80	GSA77		87	291	16.51	8.0	1.90	GSAF77	98	258	14.57	7.8	2.00		8.0	3300	180.95	32	1.20		111	231	12.92	7.7	2.10		8.9	2971	161.74	33	1.35		130	198	11.03	7.5	2.20		9.9	2693	145.60	33	1.45	GS97	148	175	9.69	7.3	2.30		11	2456	131.85	34	1.50	GSF97	41	564	34.80	6.0	0.85		12	2208	116.92	34	1.60	GSA97	48	487	29.63	6.0	1.00		14	2023	105.71	34	1.65	GSAF97	53	446	26.93	6.0	1.10		16	1751	89.60	34	1.75		61	390	23.33	6.0	1.15		18	1753	80.85	34	1.75		66	373	21.67	5.2	1.20	GS67	4P	20	1568	71.43	35	1.85			75	330	19.06	5.0	1.25	GSF67		79	312	18.00	5.0	1.30	GSA67		93	268	15.33	5.0	1.35	GSAF67	103	244	13.93	4.9	1.40		24	1335	60.59	35	1.95		118	213	12.07	4.9	1.50		26	1233	55.79	35	2.00		136	187	10.50	4.8	1.55		12	2160	123.48	26	0.95		156	164	9.17	4.7	1.65		13	1947	110.40	27	1.00		184	140	7.79	4.6	1.75		15	1778	99.26	27	1.10		132	190	10.80	3.8	0.90	GS57	4P	17	1580	86.15	27	1.20			157	161	9.10	3.8	1.00	GSF57		178	143	8.04	3.8	1.20	GSA57							GSAF57													18	1757	81.76	27	0.90								19	1438	77.14	28	1.25								20	1523	70.43	27	1.05	GS87							22	1399	64.27	28	1.14	GSF87							25	1249	57.00	28	1.30	GSA87							30	1053	47.91	28	1.50	GSAF87							33	971	44.03	28	1.55								37	868	39.10	28	1.65								41	782	34.96	28	1.70								46	707	31.43	28	1.80								53	618	27.28	27	1.85								60	551	23.92	25	1.95								25	1072	56.92	10	0.90								27	1154	53.87	8.8	0.95								29	1065	49.38	8.9	1.05								33	938	43.33	8.9	1.15	GS77							35	892	41.07	8.9	1.20	GSF77							40	784	35.94	8.9	1.25	GSA77							44	712	32.38	8.8	1.30	GSAF77							51	629	28.41	8.7	1.35								57	559	25.07	8.6	1.40								60	539	23.87	7.3	1.30																																																																																		
22	1064	64.27	28	1.55		4.5	5315	212.81	30	1.20	GSA100																																																																																																																																																																																																																																																																																																																																																																																																																																																																																																																																																																																																																																																																																																																																																																																																																																																		
25	950	57.00	28	1.65		5.0	4809	190.74	29	1.30	GSAF100																																																																																																																																																																																																																																																																																																																																																																																																																																																																																																																																																																																																																																																																																																																																																																																																																																																		
30	801	47.91	28	1.75		5.3	4592	271.63	29	1.35																																																																																																																																																																																																																																																																																																																																																																																																																																																																																																																																																																																																																																																																																																																																																																																																																																																			
32	739	44.03	28	1.80		6.3	3981	229.96	28	1.45																																																																																																																																																																																																																																																																																																																																																																																																																																																																																																																																																																																																																																																																																																																																																																																																																																																			
37	660	39.10	28	1.90		6.8	3730	212.81	27	1.50																																																																																																																																																																																																																																																																																																																																																																																																																																																																																																																																																																																																																																																																																																																																																																																																																																																			
41	594	34.96	28	1.95		7.5	3384	190.74	26	1.55																																																																																																																																																																																																																																																																																																																																																																																																																																																																																																																																																																																																																																																																																																																																																																																																																																																			
17	1143	85.22	11	1.05		8.4	3093	172.20	26	1.60	GS100																																																																																																																																																																																																																																																																																																																																																																																																																																																																																																																																																																																																																																																																																																																																																																																																																																																		
19	1039	75.20	12	1.15		9.2	2845	156.41	25	1.65	GSF100																																																																																																																																																																																																																																																																																																																																																																																																																																																																																																																																																																																																																																																																																																																																																																																																																																																		
21	937	66.67	12	1.20		10	2557	138.77	24	1.75	GSA100																																																																																																																																																																																																																																																																																																																																																																																																																																																																																																																																																																																																																																																																																																																																																																																																																																																		
23	1027	63.03	10	1.15	GS77	4P	11	2350	125.93	23	1.80	GSAF100																																																																																																																																																																																																																																																																																																																																																																																																																																																																																																																																																																																																																																																																																																																																																																																																																																																	
25	815	56.92	11	1.30	GSF77		27	878	53.87	10	1.25	GSA77	29	810	49.38	10	1.25	GSAF77	33	713	43.33	10	1.35		13	2060	108.24	22	1.90		35	676	41.07	10	1.35		15	1783	94.48	21	2.00		40	596	35.94	10	1.45		18	1711	80.13	21	2.10		44	541	32.38	10	1.50		21	1552	70.04	20	2.20		50	478	28.41	10	1.55		22	1409	65.10	19	2.25		57	425	25.07	9.3	1.65		6.2	4091	231.67	27	1.00		60	414	23.87	8.2	1.65	GS77	4P	7.3	3560	196.52	32	1.10		68	364	20.89	8.2	1.75	GSF77	76	329	18.82	8.0	1.80	GSA77	87	291	16.51	8.0	1.90	GSAF77	98	258	14.57	7.8	2.00		8.0	3300	180.95	32	1.20		111	231	12.92	7.7	2.10		8.9	2971	161.74	33	1.35		130	198	11.03	7.5	2.20		9.9	2693	145.60	33	1.45	GS97	148	175	9.69	7.3	2.30		11	2456	131.85	34	1.50	GSF97	41	564	34.80	6.0	0.85		12	2208	116.92	34	1.60	GSA97	48	487	29.63	6.0	1.00		14	2023	105.71	34	1.65	GSAF97	53	446	26.93	6.0	1.10		16	1751	89.60	34	1.75		61	390	23.33	6.0	1.15		18	1753	80.85	34	1.75		66	373	21.67	5.2	1.20	GS67	4P	20	1568	71.43	35	1.85		75	330	19.06	5.0	1.25	GSF67	79	312	18.00	5.0	1.30	GSA67	93	268	15.33	5.0	1.35	GSAF67	103	244	13.93	4.9	1.40		24	1335	60.59	35	1.95		118	213	12.07	4.9	1.50		26	1233	55.79	35	2.00		136	187	10.50	4.8	1.55		12	2160	123.48	26	0.95		156	164	9.17	4.7	1.65		13	1947	110.40	27	1.00		184	140	7.79	4.6	1.75		15	1778	99.26	27	1.10		132	190	10.80	3.8	0.90	GS57	4P	17	1580	86.15	27	1.20		157	161	9.10	3.8	1.00	GSF57	178	143	8.04	3.8	1.20	GSA57						GSAF57													18	1757	81.76	27	0.90								19	1438	77.14	28	1.25								20	1523	70.43	27	1.05	GS87							22	1399	64.27	28	1.14	GSF87							25	1249	57.00	28	1.30	GSA87							30	1053	47.91	28	1.50	GSAF87							33	971	44.03	28	1.55								37	868	39.10	28	1.65								41	782	34.96	28	1.70								46	707	31.43	28	1.80								53	618	27.28	27	1.85								60	551	23.92	25	1.95								25	1072	56.92	10	0.90								27	1154	53.87	8.8	0.95								29	1065	49.38	8.9	1.05								33	938	43.33	8.9	1.15	GS77							35	892	41.07	8.9	1.20	GSF77							40	784	35.94	8.9	1.25	GSA77							44	712	32.38	8.8	1.30	GSAF77							51	629	28.41	8.7	1.35								57	559	25.07	8.6	1.40								60	539	23.87	7.3	1.30																																																																																																																																																																																																																													
27	878	53.87	10	1.25	GSA77		29	810	49.38	10	1.25	GSAF77	33	713	43.33	10	1.35		13	2060	108.24	22	1.90		35	676	41.07	10	1.35		15	1783	94.48	21	2.00		40	596	35.94	10	1.45		18	1711	80.13	21	2.10		44	541	32.38	10	1.50		21	1552	70.04	20	2.20		50	478	28.41	10	1.55		22	1409	65.10	19	2.25		57	425	25.07	9.3	1.65		6.2	4091	231.67	27	1.00		60	414	23.87	8.2	1.65	GS77	4P	7.3	3560	196.52	32	1.10			68	364	20.89	8.2	1.75	GSF77	76	329	18.82	8.0	1.80	GSA77	87	291	16.51	8.0	1.90	GSAF77	98	258	14.57	7.8	2.00		8.0	3300	180.95	32	1.20		111	231	12.92	7.7	2.10		8.9	2971	161.74	33	1.35		130	198	11.03	7.5	2.20		9.9	2693	145.60	33	1.45	GS97	148	175	9.69	7.3	2.30		11	2456	131.85	34	1.50	GSF97	41	564	34.80	6.0	0.85		12	2208	116.92	34	1.60	GSA97	48	487	29.63	6.0	1.00		14	2023	105.71	34	1.65	GSAF97	53	446	26.93	6.0	1.10		16	1751	89.60	34	1.75		61	390	23.33	6.0	1.15		18	1753	80.85	34	1.75		66	373	21.67	5.2	1.20	GS67	4P	20	1568	71.43	35		1.85		75	330	19.06	5.0	1.25	GSF67	79	312	18.00	5.0	1.30	GSA67	93	268	15.33	5.0	1.35	GSAF67	103	244	13.93	4.9	1.40		24	1335	60.59	35	1.95		118	213	12.07	4.9	1.50		26	1233	55.79	35	2.00		136	187	10.50	4.8	1.55		12	2160	123.48	26	0.95		156	164	9.17	4.7	1.65		13	1947	110.40	27	1.00		184	140	7.79	4.6	1.75		15	1778	99.26	27	1.10		132	190	10.80	3.8	0.90	GS57	4P	17	1580	86.15		27	1.20		157	161	9.10	3.8	1.00	GSF57	178	143	8.04	3.8	1.20	GSA57						GSAF57													18	1757	81.76	27	0.90								19	1438	77.14	28	1.25								20	1523	70.43	27	1.05	GS87							22	1399	64.27	28	1.14	GSF87							25	1249	57.00	28	1.30	GSA87							30	1053	47.91	28	1.50	GSAF87							33	971	44.03	28	1.55								37	868	39.10	28	1.65								41	782	34.96	28	1.70								46	707	31.43	28	1.80								53	618	27.28	27	1.85								60	551	23.92	25	1.95								25	1072	56.92	10	0.90								27	1154	53.87	8.8	0.95								29	1065	49.38	8.9	1.05								33	938	43.33	8.9	1.15	GS77							35	892	41.07	8.9	1.20	GSF77							40	784	35.94	8.9	1.25	GSA77							44	712	32.38	8.8	1.30	GSAF77							51	629	28.41	8.7	1.35								57	559	25.07	8.6	1.40								60	539	23.87	7.3	1.30																																																																																																																																																																																																																																
29	810	49.38	10	1.25	GSAF77		33	713	43.33	10	1.35		13	2060	108.24	22	1.90		35	676	41.07	10	1.35		15	1783	94.48	21	2.00		40	596	35.94	10	1.45		18	1711	80.13	21	2.10		44	541	32.38	10	1.50		21	1552	70.04	20	2.20		50	478	28.41	10	1.55		22	1409	65.10	19	2.25		57	425	25.07	9.3	1.65		6.2	4091	231.67	27	1.00		60	414	23.87	8.2	1.65	GS77	4P	7.3	3560	196.52	32	1.10			68	364	20.89	8.2		1.75	GSF77	76	329	18.82	8.0	1.80	GSA77	87	291	16.51	8.0	1.90	GSAF77	98	258	14.57	7.8	2.00		8.0	3300	180.95	32	1.20		111	231	12.92	7.7	2.10		8.9	2971	161.74	33	1.35		130	198	11.03	7.5	2.20		9.9	2693	145.60	33	1.45	GS97	148	175	9.69	7.3	2.30		11	2456	131.85	34	1.50	GSF97	41	564	34.80	6.0	0.85		12	2208	116.92	34	1.60	GSA97	48	487	29.63	6.0	1.00		14	2023	105.71	34	1.65	GSAF97	53	446	26.93	6.0	1.10		16	1751	89.60	34	1.75		61	390	23.33	6.0	1.15		18	1753	80.85	34	1.75		66	373	21.67	5.2	1.20	GS67	4P	20	1568	71.43	35		1.85		75	330		19.06	5.0	1.25	GSF67	79	312	18.00	5.0	1.30	GSA67	93	268	15.33	5.0	1.35	GSAF67	103	244	13.93	4.9	1.40		24	1335	60.59	35	1.95		118	213	12.07	4.9	1.50		26	1233	55.79	35	2.00		136	187	10.50	4.8	1.55		12	2160	123.48	26	0.95		156	164	9.17	4.7	1.65		13	1947	110.40	27	1.00		184	140	7.79	4.6	1.75		15	1778	99.26	27	1.10		132	190	10.80	3.8	0.90	GS57	4P	17	1580	86.15		27	1.20			157	161	9.10	3.8	1.00	GSF57	178	143	8.04	3.8	1.20	GSA57						GSAF57													18	1757	81.76	27	0.90								19	1438	77.14	28	1.25								20	1523	70.43	27	1.05	GS87							22	1399	64.27	28	1.14	GSF87							25	1249	57.00	28	1.30	GSA87							30	1053	47.91	28	1.50	GSAF87							33	971	44.03	28	1.55								37	868	39.10	28	1.65								41	782	34.96	28	1.70								46	707	31.43	28	1.80								53	618	27.28	27	1.85								60	551	23.92	25	1.95								25	1072	56.92	10	0.90								27	1154	53.87	8.8	0.95								29	1065	49.38	8.9	1.05								33	938	43.33	8.9	1.15	GS77							35	892	41.07	8.9	1.20	GSF77							40	784	35.94	8.9	1.25	GSA77							44	712	32.38	8.8	1.30	GSAF77							51	629	28.41	8.7	1.35								57	559	25.07	8.6	1.40								60	539	23.87	7.3	1.30																																																																																																																																																																																																																																			
33	713	43.33	10	1.35			13	2060	108.24	22	1.90																																																																																																																																																																																																																																																																																																																																																																																																																																																																																																																																																																																																																																																																																																																																																																																																																																																		
35	676	41.07	10	1.35		15	1783	94.48	21	2.00																																																																																																																																																																																																																																																																																																																																																																																																																																																																																																																																																																																																																																																																																																																																																																																																																																																			
40	596	35.94	10	1.45		18	1711	80.13	21	2.10																																																																																																																																																																																																																																																																																																																																																																																																																																																																																																																																																																																																																																																																																																																																																																																																																																																			
44	541	32.38	10	1.50		21	1552	70.04	20	2.20																																																																																																																																																																																																																																																																																																																																																																																																																																																																																																																																																																																																																																																																																																																																																																																																																																																			
50	478	28.41	10	1.55		22	1409	65.10	19	2.25																																																																																																																																																																																																																																																																																																																																																																																																																																																																																																																																																																																																																																																																																																																																																																																																																																																			
57	425	25.07	9.3	1.65		6.2	4091	231.67	27	1.00																																																																																																																																																																																																																																																																																																																																																																																																																																																																																																																																																																																																																																																																																																																																																																																																																																																			
60	414	23.87	8.2	1.65	GS77	4P	7.3	3560	196.52	32	1.10																																																																																																																																																																																																																																																																																																																																																																																																																																																																																																																																																																																																																																																																																																																																																																																																																																																		
68	364	20.89	8.2	1.75	GSF77		76	329	18.82	8.0	1.80	GSA77	87	291	16.51	8.0	1.90	GSAF77	98	258	14.57	7.8	2.00		8.0	3300	180.95	32	1.20		111	231	12.92	7.7	2.10		8.9	2971	161.74	33	1.35		130	198	11.03	7.5	2.20		9.9	2693	145.60	33	1.45	GS97	148	175	9.69	7.3	2.30		11	2456	131.85	34	1.50	GSF97	41	564	34.80	6.0	0.85		12	2208	116.92	34	1.60	GSA97	48	487	29.63	6.0	1.00		14	2023	105.71	34	1.65	GSAF97	53	446	26.93	6.0	1.10		16	1751	89.60	34	1.75		61	390	23.33	6.0	1.15		18	1753	80.85	34	1.75		66	373	21.67	5.2	1.20	GS67	4P	20	1568	71.43	35	1.85		75	330	19.06	5.0	1.25	GSF67	79	312	18.00	5.0	1.30	GSA67	93	268	15.33	5.0	1.35	GSAF67	103	244	13.93	4.9	1.40		24	1335	60.59	35	1.95		118	213	12.07	4.9	1.50		26	1233	55.79	35	2.00		136	187	10.50	4.8	1.55		12	2160	123.48	26	0.95		156	164	9.17	4.7	1.65		13	1947	110.40	27	1.00		184	140	7.79	4.6	1.75		15	1778	99.26	27	1.10		132	190	10.80	3.8	0.90	GS57	4P	17	1580	86.15	27	1.20		157	161	9.10	3.8	1.00	GSF57	178	143	8.04	3.8	1.20	GSA57						GSAF57													18	1757	81.76	27	0.90								19	1438	77.14	28	1.25								20	1523	70.43	27	1.05	GS87							22	1399	64.27	28	1.14	GSF87							25	1249	57.00	28	1.30	GSA87							30	1053	47.91	28	1.50	GSAF87							33	971	44.03	28	1.55								37	868	39.10	28	1.65								41	782	34.96	28	1.70								46	707	31.43	28	1.80								53	618	27.28	27	1.85								60	551	23.92	25	1.95								25	1072	56.92	10	0.90								27	1154	53.87	8.8	0.95								29	1065	49.38	8.9	1.05								33	938	43.33	8.9	1.15	GS77							35	892	41.07	8.9	1.20	GSF77							40	784	35.94	8.9	1.25	GSA77							44	712	32.38	8.8	1.30	GSAF77							51	629	28.41	8.7	1.35								57	559	25.07	8.6	1.40								60	539	23.87	7.3	1.30																																																																																																																																																																																																																																																																																																																																				
76	329	18.82	8.0	1.80	GSA77		87	291	16.51	8.0	1.90	GSAF77	98	258	14.57	7.8	2.00		8.0	3300	180.95	32	1.20		111	231	12.92	7.7	2.10		8.9	2971	161.74	33	1.35		130	198	11.03	7.5	2.20		9.9	2693	145.60	33	1.45	GS97	148	175	9.69	7.3	2.30		11	2456	131.85	34	1.50	GSF97	41	564	34.80	6.0	0.85		12	2208	116.92	34	1.60	GSA97	48	487	29.63	6.0	1.00		14	2023	105.71	34	1.65	GSAF97	53	446	26.93	6.0	1.10		16	1751	89.60	34	1.75		61	390	23.33	6.0	1.15		18	1753	80.85	34	1.75		66	373	21.67	5.2	1.20	GS67	4P	20	1568	71.43	35	1.85			75	330	19.06	5.0	1.25	GSF67	79	312	18.00	5.0	1.30	GSA67	93	268	15.33	5.0	1.35	GSAF67	103	244	13.93	4.9	1.40		24	1335	60.59	35	1.95		118	213	12.07	4.9	1.50		26	1233	55.79	35	2.00		136	187	10.50	4.8	1.55		12	2160	123.48	26	0.95		156	164	9.17	4.7	1.65		13	1947	110.40	27	1.00		184	140	7.79	4.6	1.75		15	1778	99.26	27	1.10		132	190	10.80	3.8	0.90	GS57	4P	17	1580	86.15	27		1.20		157	161	9.10	3.8	1.00	GSF57	178	143	8.04	3.8	1.20	GSA57						GSAF57													18	1757	81.76	27	0.90								19	1438	77.14	28	1.25								20	1523	70.43	27	1.05	GS87							22	1399	64.27	28	1.14	GSF87							25	1249	57.00	28	1.30	GSA87							30	1053	47.91	28	1.50	GSAF87							33	971	44.03	28	1.55								37	868	39.10	28	1.65								41	782	34.96	28	1.70								46	707	31.43	28	1.80								53	618	27.28	27	1.85								60	551	23.92	25	1.95								25	1072	56.92	10	0.90								27	1154	53.87	8.8	0.95								29	1065	49.38	8.9	1.05								33	938	43.33	8.9	1.15	GS77							35	892	41.07	8.9	1.20	GSF77							40	784	35.94	8.9	1.25	GSA77							44	712	32.38	8.8	1.30	GSAF77							51	629	28.41	8.7	1.35								57	559	25.07	8.6	1.40								60	539	23.87	7.3	1.30																																																																																																																																																																																																																																																																																																																																								
87	291	16.51	8.0	1.90	GSAF77		98	258	14.57	7.8	2.00		8.0	3300	180.95	32	1.20		111	231	12.92	7.7	2.10		8.9	2971	161.74	33	1.35		130	198	11.03	7.5	2.20		9.9	2693	145.60	33	1.45	GS97	148	175	9.69	7.3	2.30		11	2456	131.85	34	1.50	GSF97	41	564	34.80	6.0	0.85		12	2208	116.92	34	1.60	GSA97	48	487	29.63	6.0	1.00		14	2023	105.71	34	1.65	GSAF97	53	446	26.93	6.0	1.10		16	1751	89.60	34	1.75		61	390	23.33	6.0	1.15		18	1753	80.85	34	1.75		66	373	21.67	5.2	1.20	GS67	4P	20	1568	71.43	35	1.85			75	330	19.06	5.0		1.25	GSF67	79	312	18.00	5.0	1.30	GSA67	93	268	15.33	5.0	1.35	GSAF67	103	244	13.93	4.9	1.40		24	1335	60.59	35	1.95		118	213	12.07	4.9	1.50		26	1233	55.79	35	2.00		136	187	10.50	4.8	1.55		12	2160	123.48	26	0.95		156	164	9.17	4.7	1.65		13	1947	110.40	27	1.00		184	140	7.79	4.6	1.75		15	1778	99.26	27	1.10		132	190	10.80	3.8	0.90	GS57	4P	17	1580	86.15	27		1.20		157	161		9.10	3.8	1.00	GSF57	178	143	8.04	3.8	1.20	GSA57						GSAF57													18	1757	81.76	27	0.90								19	1438	77.14	28	1.25								20	1523	70.43	27	1.05	GS87							22	1399	64.27	28	1.14	GSF87							25	1249	57.00	28	1.30	GSA87							30	1053	47.91	28	1.50	GSAF87							33	971	44.03	28	1.55								37	868	39.10	28	1.65								41	782	34.96	28	1.70								46	707	31.43	28	1.80								53	618	27.28	27	1.85								60	551	23.92	25	1.95								25	1072	56.92	10	0.90								27	1154	53.87	8.8	0.95								29	1065	49.38	8.9	1.05								33	938	43.33	8.9	1.15	GS77							35	892	41.07	8.9	1.20	GSF77							40	784	35.94	8.9	1.25	GSA77							44	712	32.38	8.8	1.30	GSAF77							51	629	28.41	8.7	1.35								57	559	25.07	8.6	1.40								60	539	23.87	7.3	1.30																																																																																																																																																																																																																																																																																																																																												
98	258	14.57	7.8	2.00			8.0	3300	180.95	32	1.20																																																																																																																																																																																																																																																																																																																																																																																																																																																																																																																																																																																																																																																																																																																																																																																																																																																		
111	231	12.92	7.7	2.10		8.9	2971	161.74	33	1.35																																																																																																																																																																																																																																																																																																																																																																																																																																																																																																																																																																																																																																																																																																																																																																																																																																																			
130	198	11.03	7.5	2.20		9.9	2693	145.60	33	1.45	GS97																																																																																																																																																																																																																																																																																																																																																																																																																																																																																																																																																																																																																																																																																																																																																																																																																																																		
148	175	9.69	7.3	2.30		11	2456	131.85	34	1.50	GSF97																																																																																																																																																																																																																																																																																																																																																																																																																																																																																																																																																																																																																																																																																																																																																																																																																																																		
41	564	34.80	6.0	0.85		12	2208	116.92	34	1.60	GSA97																																																																																																																																																																																																																																																																																																																																																																																																																																																																																																																																																																																																																																																																																																																																																																																																																																																		
48	487	29.63	6.0	1.00		14	2023	105.71	34	1.65	GSAF97																																																																																																																																																																																																																																																																																																																																																																																																																																																																																																																																																																																																																																																																																																																																																																																																																																																		
53	446	26.93	6.0	1.10		16	1751	89.60	34	1.75																																																																																																																																																																																																																																																																																																																																																																																																																																																																																																																																																																																																																																																																																																																																																																																																																																																			
61	390	23.33	6.0	1.15		18	1753	80.85	34	1.75																																																																																																																																																																																																																																																																																																																																																																																																																																																																																																																																																																																																																																																																																																																																																																																																																																																			
66	373	21.67	5.2	1.20	GS67	4P	20	1568	71.43	35	1.85																																																																																																																																																																																																																																																																																																																																																																																																																																																																																																																																																																																																																																																																																																																																																																																																																																																		
75	330	19.06	5.0	1.25	GSF67		79	312	18.00	5.0	1.30	GSA67	93	268	15.33	5.0	1.35	GSAF67	103	244	13.93	4.9	1.40		24	1335	60.59	35	1.95		118	213	12.07	4.9	1.50		26	1233	55.79	35	2.00		136	187	10.50	4.8	1.55		12	2160	123.48	26	0.95		156	164	9.17	4.7	1.65		13	1947	110.40	27	1.00		184	140	7.79	4.6	1.75		15	1778	99.26	27	1.10		132	190	10.80	3.8	0.90	GS57	4P	17	1580	86.15	27	1.20		157	161	9.10	3.8	1.00	GSF57	178	143	8.04	3.8	1.20	GSA57						GSAF57													18	1757	81.76	27	0.90								19	1438	77.14	28	1.25								20	1523	70.43	27	1.05	GS87							22	1399	64.27	28	1.14	GSF87							25	1249	57.00	28	1.30	GSA87							30	1053	47.91	28	1.50	GSAF87							33	971	44.03	28	1.55								37	868	39.10	28	1.65								41	782	34.96	28	1.70								46	707	31.43	28	1.80								53	618	27.28	27	1.85								60	551	23.92	25	1.95								25	1072	56.92	10	0.90								27	1154	53.87	8.8	0.95								29	1065	49.38	8.9	1.05								33	938	43.33	8.9	1.15	GS77							35	892	41.07	8.9	1.20	GSF77							40	784	35.94	8.9	1.25	GSA77							44	712	32.38	8.8	1.30	GSAF77							51	629	28.41	8.7	1.35								57	559	25.07	8.6	1.40								60	539	23.87	7.3	1.30																																																																																																																																																																																																																																																																																																																																																																																																																																																																			
79	312	18.00	5.0	1.30	GSA67		93	268	15.33	5.0	1.35	GSAF67	103	244	13.93	4.9	1.40		24	1335	60.59	35	1.95		118	213	12.07	4.9	1.50		26	1233	55.79	35	2.00		136	187	10.50	4.8	1.55		12	2160	123.48	26	0.95		156	164	9.17	4.7	1.65		13	1947	110.40	27	1.00		184	140	7.79	4.6	1.75		15	1778	99.26	27	1.10		132	190	10.80	3.8	0.90	GS57	4P	17	1580	86.15	27	1.20			157	161	9.10	3.8	1.00	GSF57	178	143	8.04	3.8	1.20	GSA57						GSAF57													18	1757	81.76	27	0.90								19	1438	77.14	28	1.25								20	1523	70.43	27	1.05	GS87							22	1399	64.27	28	1.14	GSF87							25	1249	57.00	28	1.30	GSA87							30	1053	47.91	28	1.50	GSAF87							33	971	44.03	28	1.55								37	868	39.10	28	1.65								41	782	34.96	28	1.70								46	707	31.43	28	1.80								53	618	27.28	27	1.85								60	551	23.92	25	1.95								25	1072	56.92	10	0.90								27	1154	53.87	8.8	0.95								29	1065	49.38	8.9	1.05								33	938	43.33	8.9	1.15	GS77							35	892	41.07	8.9	1.20	GSF77							40	784	35.94	8.9	1.25	GSA77							44	712	32.38	8.8	1.30	GSAF77							51	629	28.41	8.7	1.35								57	559	25.07	8.6	1.40								60	539	23.87	7.3	1.30																																																																																																																																																																																																																																																																																																																																																																																																																																																																								
93	268	15.33	5.0	1.35	GSAF67		103	244	13.93	4.9	1.40		24	1335	60.59	35	1.95		118	213	12.07	4.9	1.50		26	1233	55.79	35	2.00		136	187	10.50	4.8	1.55		12	2160	123.48	26	0.95		156	164	9.17	4.7	1.65		13	1947	110.40	27	1.00		184	140	7.79	4.6	1.75		15	1778	99.26	27	1.10		132	190	10.80	3.8	0.90	GS57	4P	17	1580	86.15	27	1.20			157	161	9.10	3.8		1.00	GSF57	178	143	8.04	3.8	1.20	GSA57						GSAF57													18	1757	81.76	27	0.90								19	1438	77.14	28	1.25								20	1523	70.43	27	1.05	GS87							22	1399	64.27	28	1.14	GSF87							25	1249	57.00	28	1.30	GSA87							30	1053	47.91	28	1.50	GSAF87							33	971	44.03	28	1.55								37	868	39.10	28	1.65								41	782	34.96	28	1.70								46	707	31.43	28	1.80								53	618	27.28	27	1.85								60	551	23.92	25	1.95								25	1072	56.92	10	0.90								27	1154	53.87	8.8	0.95								29	1065	49.38	8.9	1.05								33	938	43.33	8.9	1.15	GS77							35	892	41.07	8.9	1.20	GSF77							40	784	35.94	8.9	1.25	GSA77							44	712	32.38	8.8	1.30	GSAF77							51	629	28.41	8.7	1.35								57	559	25.07	8.6	1.40								60	539	23.87	7.3	1.30																																																																																																																																																																																																																																																																																																																																																																																																																																																																													
103	244	13.93	4.9	1.40			24	1335	60.59	35	1.95																																																																																																																																																																																																																																																																																																																																																																																																																																																																																																																																																																																																																																																																																																																																																																																																																																																		
118	213	12.07	4.9	1.50		26	1233	55.79	35	2.00																																																																																																																																																																																																																																																																																																																																																																																																																																																																																																																																																																																																																																																																																																																																																																																																																																																			
136	187	10.50	4.8	1.55		12	2160	123.48	26	0.95																																																																																																																																																																																																																																																																																																																																																																																																																																																																																																																																																																																																																																																																																																																																																																																																																																																			
156	164	9.17	4.7	1.65		13	1947	110.40	27	1.00																																																																																																																																																																																																																																																																																																																																																																																																																																																																																																																																																																																																																																																																																																																																																																																																																																																			
184	140	7.79	4.6	1.75		15	1778	99.26	27	1.10																																																																																																																																																																																																																																																																																																																																																																																																																																																																																																																																																																																																																																																																																																																																																																																																																																																			
132	190	10.80	3.8	0.90	GS57	4P	17	1580	86.15	27	1.20																																																																																																																																																																																																																																																																																																																																																																																																																																																																																																																																																																																																																																																																																																																																																																																																																																																		
157	161	9.10	3.8	1.00	GSF57		178	143	8.04	3.8	1.20	GSA57						GSAF57													18	1757	81.76	27	0.90								19	1438	77.14	28	1.25								20	1523	70.43	27	1.05	GS87							22	1399	64.27	28	1.14	GSF87							25	1249	57.00	28	1.30	GSA87							30	1053	47.91	28	1.50	GSAF87							33	971	44.03	28	1.55								37	868	39.10	28	1.65								41	782	34.96	28	1.70								46	707	31.43	28	1.80								53	618	27.28	27	1.85								60	551	23.92	25	1.95								25	1072	56.92	10	0.90								27	1154	53.87	8.8	0.95								29	1065	49.38	8.9	1.05								33	938	43.33	8.9	1.15	GS77							35	892	41.07	8.9	1.20	GSF77							40	784	35.94	8.9	1.25	GSA77							44	712	32.38	8.8	1.30	GSAF77							51	629	28.41	8.7	1.35								57	559	25.07	8.6	1.40								60	539	23.87	7.3	1.30																																																																																																																																																																																																																																																																																																																																																																																																																																																																																																																																																														
178	143	8.04	3.8	1.20	GSA57							GSAF57													18	1757	81.76	27	0.90								19	1438	77.14	28	1.25								20	1523	70.43	27	1.05	GS87							22	1399	64.27	28	1.14	GSF87							25	1249	57.00	28	1.30	GSA87							30	1053	47.91	28	1.50	GSAF87							33	971	44.03	28	1.55								37	868	39.10	28	1.65								41	782	34.96	28	1.70								46	707	31.43	28	1.80								53	618	27.28	27	1.85								60	551	23.92	25	1.95								25	1072	56.92	10	0.90								27	1154	53.87	8.8	0.95								29	1065	49.38	8.9	1.05								33	938	43.33	8.9	1.15	GS77							35	892	41.07	8.9	1.20	GSF77							40	784	35.94	8.9	1.25	GSA77							44	712	32.38	8.8	1.30	GSAF77							51	629	28.41	8.7	1.35								57	559	25.07	8.6	1.40								60	539	23.87	7.3	1.30																																																																																																																																																																																																																																																																																																																																																																																																																																																																																																																																																																				
					GSAF57														18	1757	81.76	27	0.90								19	1438	77.14	28	1.25								20	1523	70.43	27	1.05	GS87							22	1399	64.27	28	1.14	GSF87							25	1249	57.00	28	1.30	GSA87							30	1053	47.91	28	1.50	GSAF87							33	971	44.03	28	1.55								37	868	39.10	28	1.65								41	782	34.96	28	1.70								46	707	31.43	28	1.80								53	618	27.28	27	1.85								60	551	23.92	25	1.95								25	1072	56.92	10	0.90								27	1154	53.87	8.8	0.95								29	1065	49.38	8.9	1.05								33	938	43.33	8.9	1.15	GS77							35	892	41.07	8.9	1.20	GSF77							40	784	35.94	8.9	1.25	GSA77							44	712	32.38	8.8	1.30	GSAF77							51	629	28.41	8.7	1.35								57	559	25.07	8.6	1.40								60	539	23.87	7.3	1.30																																																																																																																																																																																																																																																																																																																																																																																																																																																																																																																																																																										
													18	1757	81.76	27	0.90								19	1438	77.14	28	1.25								20	1523	70.43	27	1.05	GS87							22	1399	64.27	28	1.14	GSF87							25	1249	57.00	28	1.30	GSA87							30	1053	47.91	28	1.50	GSAF87							33	971	44.03	28	1.55								37	868	39.10	28	1.65								41	782	34.96	28	1.70								46	707	31.43	28	1.80								53	618	27.28	27	1.85								60	551	23.92	25	1.95								25	1072	56.92	10	0.90								27	1154	53.87	8.8	0.95								29	1065	49.38	8.9	1.05								33	938	43.33	8.9	1.15	GS77							35	892	41.07	8.9	1.20	GSF77							40	784	35.94	8.9	1.25	GSA77							44	712	32.38	8.8	1.30	GSAF77							51	629	28.41	8.7	1.35								57	559	25.07	8.6	1.40								60	539	23.87	7.3	1.30																																																																																																																																																																																																																																																																																																																																																																																																																																																																																																																																																																																
						18	1757	81.76	27	0.90																																																																																																																																																																																																																																																																																																																																																																																																																																																																																																																																																																																																																																																																																																																																																																																																																																																			
						19	1438	77.14	28	1.25																																																																																																																																																																																																																																																																																																																																																																																																																																																																																																																																																																																																																																																																																																																																																																																																																																																			
						20	1523	70.43	27	1.05	GS87																																																																																																																																																																																																																																																																																																																																																																																																																																																																																																																																																																																																																																																																																																																																																																																																																																																		
						22	1399	64.27	28	1.14	GSF87																																																																																																																																																																																																																																																																																																																																																																																																																																																																																																																																																																																																																																																																																																																																																																																																																																																		
						25	1249	57.00	28	1.30	GSA87																																																																																																																																																																																																																																																																																																																																																																																																																																																																																																																																																																																																																																																																																																																																																																																																																																																		
						30	1053	47.91	28	1.50	GSAF87																																																																																																																																																																																																																																																																																																																																																																																																																																																																																																																																																																																																																																																																																																																																																																																																																																																		
						33	971	44.03	28	1.55																																																																																																																																																																																																																																																																																																																																																																																																																																																																																																																																																																																																																																																																																																																																																																																																																																																			
						37	868	39.10	28	1.65																																																																																																																																																																																																																																																																																																																																																																																																																																																																																																																																																																																																																																																																																																																																																																																																																																																			
						41	782	34.96	28	1.70																																																																																																																																																																																																																																																																																																																																																																																																																																																																																																																																																																																																																																																																																																																																																																																																																																																			
						46	707	31.43	28	1.80																																																																																																																																																																																																																																																																																																																																																																																																																																																																																																																																																																																																																																																																																																																																																																																																																																																			
						53	618	27.28	27	1.85																																																																																																																																																																																																																																																																																																																																																																																																																																																																																																																																																																																																																																																																																																																																																																																																																																																			
						60	551	23.92	25	1.95																																																																																																																																																																																																																																																																																																																																																																																																																																																																																																																																																																																																																																																																																																																																																																																																																																																			
						25	1072	56.92	10	0.90																																																																																																																																																																																																																																																																																																																																																																																																																																																																																																																																																																																																																																																																																																																																																																																																																																																			
						27	1154	53.87	8.8	0.95																																																																																																																																																																																																																																																																																																																																																																																																																																																																																																																																																																																																																																																																																																																																																																																																																																																			
						29	1065	49.38	8.9	1.05																																																																																																																																																																																																																																																																																																																																																																																																																																																																																																																																																																																																																																																																																																																																																																																																																																																			
						33	938	43.33	8.9	1.15	GS77																																																																																																																																																																																																																																																																																																																																																																																																																																																																																																																																																																																																																																																																																																																																																																																																																																																		
						35	892	41.07	8.9	1.20	GSF77																																																																																																																																																																																																																																																																																																																																																																																																																																																																																																																																																																																																																																																																																																																																																																																																																																																		
						40	784	35.94	8.9	1.25	GSA77																																																																																																																																																																																																																																																																																																																																																																																																																																																																																																																																																																																																																																																																																																																																																																																																																																																		
						44	712	32.38	8.8	1.30	GSAF77																																																																																																																																																																																																																																																																																																																																																																																																																																																																																																																																																																																																																																																																																																																																																																																																																																																		
						51	629	28.41	8.7	1.35																																																																																																																																																																																																																																																																																																																																																																																																																																																																																																																																																																																																																																																																																																																																																																																																																																																			
						57	559	25.07	8.6	1.40																																																																																																																																																																																																																																																																																																																																																																																																																																																																																																																																																																																																																																																																																																																																																																																																																																																			
						60	539	23.87	7.3	1.30																																																																																																																																																																																																																																																																																																																																																																																																																																																																																																																																																																																																																																																																																																																																																																																																																																																			

选型参数表
(恒功率)

Selection Table
(Constant Power)

n_a [r/min]	M_a [Nm]	i	F_{ra} [kN]	f_B	机型号 Type size	极数 Pole	n_a [r/min]	M_a [Nm]	i	F_{ra} [kN]	f_B	机型号 Type size	极数 Pole
4.0kW							5.5kW						
69	475	20.89	7.3	1.55		4P	35	1227	41.07	7.2	0.90	4P	
77	429	18.82	7.2	1.60			40	1078	35.94	7.4	1.05		
87	378	16.51	7.2	1.65	GS77		44	978	32.38	7.5	1.10		
99	336	14.57	7.1	1.75	GSF77		51	865	28.41	7.5	1.15		
111	299	12.92	7.0	1.85	GSA77		57	768	25.07	7.5	1.20		
131	246	11.03	6.8	2.00	GSAF77		60	748	23.87	7.5	1.25		
149	228	9.69	6.7	2.00			69	658	20.89	7.5	1.30		
179	191	8.06	6.5	2.15			77	596	18.82	5.6	1.35		
80	411	18.00	3.6	0.80		87	526	16.51	5.9	1.40			
94	352	15.33	4.0	0.95	GS67	99	468	14.57	6.2	1.50			
103	321	13.93	4.3	1.05	GSF67	111	417	12.92	6.2	1.55			
119	280	12.07	4.3	1.20	GSA67	131	358	11.03	6.1	1.65			
137	246	10.50	4.3	1.35	GSAF67	149	316	9.69	6.1	1.70			
157	216	9.17	4.3	1.40		179	265	8.06	6.0	1.85			
185	184	7.79	4.2	1.50		119	385	12.07	2.8	0.90			
5.5kW							137	338	10.50	2.8	1.00		
5.3	6314	271.63	27	1.00		157	297	9.17	3.5	1.15	GSF67		
6.3	5474	229.96	26	1.20		185	253	7.79	3.7	1.15	GSA67		
6.8	5128	212.81	26	1.25							GSAF67		
7.5	4653	190.74	25	1.30		7.5kW							
8.4	4253	172.20	24	1.35		6.3	7465	229.96	24	0.85	4P		
9.2	3912	156.41	24	1.40		6.8	6993	212.81	24	0.90			
10	3515	138.77	23	1.45		7.5	6345	190.74	23	1.00			
11	3231	125.93	23	1.55	GS100	8.4	5800	172.20	23	1.10			
13	2833	108.24	22	1.60	GSF100	9.2	5335	156.41	22	1.20			
15	2424	94.48	21	1.70	GSA100	10	4794	138.77	22	1.25			
18	2352	80.13	20	1.80	GSAF100	11	4407	125.93	21	1.30			
21	2133	70.04	20	1.85		13	3863	108.24	21	1.40			
22	1937	65.10	19	1.90		15	3306	94.48	20	1.50			
24	1766	59.13	18	2.00		18	3207	80.13	19	1.55			
27	1583	52.46	18	2.10		21	2909	70.04	19	1.60			
30	1447	47.61	17	2.15		22	2641	65.10	18	1.65			
35	1262	40.92	17	2.30		24	2408	59.13	18	1.70			
8.9	4084	161.74	28	0.95		27	2159	52.46	17	1.80			
9.9	3703	145.60	31	1.00		30	1974	47.61	17	1.85			
11	3376	131.85	32	1.10		35	1721	40.92	16	1.95			
12	3035	116.92	33	1.15		40	1503	35.72	15	2.00			
14	2782	105.71	33	1.25		48	1284	30.29	15	2.20			
16	2407	89.60	34	1.35	GS97	14	3741	105.71	31	0.90			
18	2147	78.26	34	1.45	GSF97	16	3260	89.60	32	1.00			
20	2156	71.43	34	1.55	GSA97	18	2908	78.26	33	1.10			
22	1830	65.45	34	1.65	GSAF97	20	2900	71.43	33	1.15			
24	1835	60.59	34	1.65		22	2468	65.45	34	1.20			
26	1695	55.79	34	1.70		24	2468	60.59	34	1.35			
29	1526	49.87	35	1.80		26	2280	55.79	34	1.45			
32	1378	44.89	35	1.85		29	2052	49.87	34	1.55			
35	1256	40.65	35	1.95		32	1853	44.89	34	1.60			
19	1978	77.14	27	0.90		35	1689	40.65	34	1.65			
23	1688	64.00	27	0.95		40	1508	36.05	34	1.75			
25	1717	57.00	27	0.95		44	1372	32.60	34	1.80			
30	1448	47.91	28	1.10		52	1179	27.63	30	1.90			
33	1335	44.03	28	1.20		64	980	22.65	30	2.15			
37	1194	39.10	28	1.35		70	891	20.48	29	2.25			
41	1075	34.96	27	1.50	GS87	83	759	17.36	29	2.40			
46	972	31.43	27	1.55	GSF87	95	667	15.16	29	2.50			
53	850	27.28	26	1.60	GSA87	33	1796	44.03	26	0.90			
60	758	23.92	24	1.70	GSAF87	37	1606	39.10	26	1.00			
67	681	21.39	23	1.75		41	1445	34.96	26	1.10			
75	616	19.23	23	1.80		46	1308	31.43	25	1.20			
86	539	16.69	22	1.90		53	1147	27.28	25	1.40			
96	485	14.95	22	2.00		60	1019	23.92	22	1.45			
116	405	12.40	21	2.10		67	916	21.39	22	1.50			
134	354	10.78	20	2.25		75	828	19.23	22	1.60			
						86	724	16.69	21	1.65			

选型参数表
(恒功率)

Selection Table
(Constant Power)

n_a [r/min]	M_a [Nm]	i	F_{ra} [kN]	f_B	机型号 Type size	极数 Pole	n_a [r/min]	M_a [Nm]	i	F_{ra} [kN]	f_B	机型号 Type size	极数 Pole	
7.5kW							15.0kW							
96	652	14.95	21	1.75	GS87	4P	33	3707	44.89	30	0.90		4P	
116	544	12.40	20	1.85	GSF87		36	3378	40.65	30	1.00			
134	476	10.78	19	1.95	GSA87		40	3016	36.05	29	1.10			
163	391	8.81	19	2.05	GSAF87		45	2745	32.60	29	1.15			
51	1163	28.41	5.9	0.90		4P	53	2357	27.63	25	1.35	GS97	4P	
57	1033	25.07	6.1	1.00			64	1961	22.65	25	1.55	GSF97		
60	1006	23.87	6.2	0.80			71	1783	20.48	25	1.60	GSA97		
69	885	20.89	6.3	0.80	GS77		84	1518	17.36	24	1.70	GSAF97		
77	802	18.82	1.8	0.90	GSF77		96	1334	15.16	24	1.75			
87	707	16.51	2.2	1.00	GSA77		115	1122	12.68	24	1.90			
99	629	14.57	3.1	1.15	GSAF77		133	974	10.98	23	2.00			
111	561	12.92	3.7	1.25			159	818	9.19	22	2.15			
131	482	11.03	4.9	1.40			98	1304	14.95	17	0.95	GS87		4P
149	425	9.69	5.3	1.50			118	1088	12.40	17	1.15	GSF87		
179	357	8.06	5.3	1.60		135	952	10.78	17	1.30	GSA87			
						166	782	8.81	16	1.30	GSAF87			
11.0kW							18.5kW							
9.3	7717	156.41	20	0.85		4P	16	8425	94.48	15	0.80		4P	
11	6934	138.77	20	0.95			18	7145	80.13	15	0.90			
12	6374	125.93	19	1.00			23	6383	65.10	15	1.00			
13	5588	108.24	19	1.15			25	5818	59.13	15	1.10	GS100		
15	4782	94.48	18	1.25			28	5217	52.46	14	1.15	GSF100		
18	4136	80.13	18	1.30			31	4769	47.61	14	1.20	GSA100		
21	4209	70.04	17	1.30	GS100		36	4159	40.92	14	1.25	GSAF100		
22	3821	65.10	17	1.40	GSF100		41	3631	35.72	13	1.35			
25	3483	59.13	17	1.45	GSA100		49	3101	30.29	13	1.40			
28	3123	52.46	16	1.50	GSAF100		56	2752	26.48	13	1.50			
31	2855	47.61	16	1.55			66	2327	22.39	12	1.55			
36	2490	40.92	15	1.65			41	3669	36.05	27	0.90			
41	2174	35.72	15	1.70			45	3339	32.60	27	0.95			
48	1857	30.29	14	1.80			53	2868	27.63	27	1.05			
55	1647	26.48	14	1.90			65	2386	22.65	27	1.20	GS97		
65	1393	22.39	13	2.00			72	2169	20.48	23	1.20	GSF97		
26	3344	55.79	32	1.00			85	1848	17.36	23	1.40	GSA97		
29	3010	49.87	33	1.10			97	1624	15.16	23	1.60	GSAF97		
33	2718	44.89	33	1.20		116	1366	12.68	22	1.70				
36	2477	40.65	33	1.35		134	1187	10.98	22	1.80				
40	2211	36.05	32	1.45	GS97	160	996	9.19	21	1.80				
45	2013	32.60	32	1.50	GSF97	22kW								
53	1729	27.63	28	1.60	GSA97	23	7590	65.10	14	0.85				
64	1438	22.65	28	1.80	GSAF97	25	6919	59.13	14	0.95				
71	1307	20.48	27	1.85		28	6204	52.46	14	1.00	GS100			
84	1113	17.36	26	2.00		31	5671	47.61	13	1.10	GSF100			
96	979	15.16	26	2.05		36	4946	40.92	13	1.15	GSA100			
115	823	12.68	25	2.20		41	4317	35.72	13	1.20	GSAF100			
133	714	10.98	24	2.35		49	3688	30.29	13	1.30				
54	1682	27.28	23	0.95		56	3272	26.48	12	1.35				
60	1504	24.23	22	1.05		66	2767	22.39	12	1.45				
72	1271	20.27	22	1.25	GS87	53	3410	27.63	25	0.90				
76	1214	19.23	19	1.30	GSF87	65	2837	22.65	25	0.90				
87	1062	16.69	19	1.35	GSA87	72	2579	20.48	19	1.00	GS97			
98	956	14.95	19	1.45	GSAF87	85	2198	17.36	21	1.15	GSF97			
118	798	12.40	18	1.55		97	1931	15.16	21	1.30	GSA97			
135	698	10.78	18	1.60		116	1624	12.68	21	1.50	GSAF97			
166	573	8.81	18	1.75		134	1411	10.98	21	1.65				
15.0kW							30kW							
13	7670	108.24	17	0.85		4P	31	7734	47.61	12	0.85		4P	
15	6878	94.48	16	0.95			36	6745	40.92	12	0.95	GS100		
18	5833	80.13	16	1.10			41	5887	35.72	12	1.05	GSF100		
21	5739	70.04	16	1.15			49	5029	30.29	11	1.10	GSA100		
22	5210	65.10	16	1.20	GS100		56	4462	26.48	11	1.15	GSAF100		
25	4749	59.13	16	1.20	GSF100		66	3773	22.39	11	1.20			
28	4259	52.46	15	1.30	GSA100									
31	3893	47.61	15	1.30	GSAF100									
36	3395	40.92	15	1.40										
41	2964	35.72	14	1.45										
48	2532	30.29	14	1.55										
55	2247	26.48	13	1.65										
65	1899	22.39	13	1.75										

**选型参数表
(恒扭矩)**
**Selection Table
(Constant Torque)**

Mamax [Nm]	n _a [r/min]	i	F _{ra} [kN]	机型号 Type size	P [kW]/4P	Mamax [Nm]	n _a [r/min]	i	F _{ra} [kN]	机型号 Type size	P [kW]/4P
87	0.13	10037	2.8			0.12	170	1.4	965	5.0	
	0.15	8654	2.8					1.5	865	5.0	GS47R17
	0.16	8066	2.8					1.7	750	5.0	GSF47R17
	0.19	7051	2.8					2.0	655	5.0	GSA47R17
	0.22	6079	2.8					2.3	574	5.0	GSAF47R17
	0.24	5431	2.8					2.6	506	5.0	
	0.28	4747	2.8					3.0	438	5.0	
	0.32	4155	2.8	GS37R17							GS47R17
	0.36	3632	2.8	GSF37R17				3.4	388	4.9	GSF47R17
	0.46	2866	2.8	GSA37R17				3.9	336	4.9	GSA47R17
	0.53	2471	2.8	GSAF37R17				4.5	294	4.9	GSAF47R17
	0.61	2160	2.8					5.2	257	4.9	
	0.69	1887	2.8					5.8	229	4.9	GS47R17
	0.79	1665	2.8					6.7	200	4.9	GSF47R17
	0.90	1456	2.8					7.1	187	4.9	GSA47R17
1.0	1271	2.8			8.1	165	4.9	GSAF47R17			
1.2	1121	2.8						GS47R17			
1.3	994	2.8			9.0	148	4.9	GSF47R17			
1.5	869	2.8						GSA47R17			
	1.7	774	2.8						GSAF47R17		
	2.0	666	2.8		0.12	300	0.10	12909	6.7		
	2.2	596	2.8				0.12	11189	6.7		
	2.5	521	2.8	GS37R17				0.13	10374	6.7	
	2.9	456	2.8	GSF37R17				0.15	8992	6.7	GS57R17
	3.3	398	2.8	GSA37R17				0.17	7860	6.7	GSF57R17
	3.7	351	2.8	GSAF37R17				0.19	6887	6.7	GSA57R17
	4.3	303	2.8					0.22	6055	6.7	GSAF57R17
	4.9	265	2.8					0.25	5292	6.7	
	5.6	232	2.8					0.28	4637	6.7	
	6.5	202	2.8					0.32	4092	6.7	
	7.3	179	2.8	GS37R17	0.18	0.36	3628	6.7			
	8.3	158	2.8	GSF37R17		0.42	3131	6.7			
	9.1	144	2.8	GSA37R17		0.48	2714	6.7			
	11	118	2.8	GSAF37R17		0.54	2412	6.7	GS57R17		
				GS37R17	0.12	0.61	2131	6.7	GSF57R17		
				GSF37R17		0.70	1863	6.7	GSA57R17		
	12	110	2.8	GSA37R17		0.79	1663	6.7	GSAF57R17		
				GSAF37R17		0.91	1435	6.7			
170	0.10	12909	5.0			0.12	1.0	1254	6.7		
	0.12	11189	5.0				1.2	1083	6.7		
	0.13	10374	5.0				1.4	965	6.7	GS57R17	
	0.15	8992	5.0				1.5	865	6.7	GSF57R17	
	0.17	7860	5.0				1.7	750	6.7	GSA57R17	
	0.19	6887	5.0				2.0	655	6.7	GSAF57R17	
	0.22	6055	5.0		2.3		574	6.7	GS57R17		
	0.25	5292	5.0		2.6		506	6.7	GSF57R17		
	0.28	4637	5.0	GS47R17	3.0		438	6.7	GSA57R17		
	0.32	4092	5.0	GSF47R17	3.4		388	6.7	GSAF57R17		
	0.37	3582	5.0	GSA47R17					GS57R17		
	0.42	3131	5.0	GSAF47R17	4.0		336	6.7	GSF57R17		
	0.48	2714	5.0		4.5		294	6.7	GSA57R17		
	0.54	2412	5.0		4.9		269	6.7	GSAF57R17		
	0.61	2131	5.0						GS57R17		
0.70	1863	5.0		5.8	229	6.7	GSF57R17				
0.79	1663	5.0		6.5	204	6.7	GSA57R17				
0.91	1435	5.0		7.1	187	6.7	GSAF57R17				
1.0	1254	5.0					GS57R17				
1.2	1120	5.0		8.1	165	6.7	GSF57R17				
1.2	1083	5.0					GSA57R17				
				10	131	6.7	GSAF57R17				

选型参数表
(恒扭矩)

Selection Table
(Constant Torque)

Mamax [Nm]	n _a [r/min]	i	F _{ra} [kN]	机型号 Type size	P [kW]/4P	Mamax [Nm]	n _a [r/min]	i	F _{ra} [kN]	机型号 Type size	P [kW]/4P	
520	0.06	21362	7.8		0.12	1220	0.15	8817	11		0.12	
	0.07	19594	7.8				0.17	7735	11			
	0.07	18120	7.8				0.19	6735	11	GS77R37		
	0.08	16682	7.8				0.22	5943	11	GSF77R37		
	0.09	14383	7.8	GS67R37			0.25	5214	11	GSA77R37		
	0.10	12774	7.8	GSF67R37			0.28	4618	11	GSAF77R37		
	0.12	11013	7.8	GSA67R37			0.33	3992	11			
	0.14	9694	7.8	GSAF67R37			0.37	3540	11			
	0.15	8529	7.8							GS77R37		
	0.18	7455	7.8				0.42	3098	11	GSF77R37		
	0.20	6531	7.8						GSA77R37			
	0.23	5759	7.8						GSAF77R37			
	0.26	4965	7.8		0.12		1220	0.48	2753	11	GS77R37	0.12
	0.30	4410	7.8					GSF77R37				
	0.34	3880	7.8					0.55	2374	11	GSA77R37	
	0.38	3432	7.8								GSAF77R37	
	0.44	2944	7.8	GS67R37				0.63	2083	11	GS77R37	
	0.50	2630	7.8	GSF67R37				0.72	1813	11	GSF77R37	
	0.57	2279	7.8	GSA67R37				0.75	1745	11	GSA77R37	
	0.65	2014	7.8	GSAF67R37				0.82	1600	11	GSAF77R37	
	0.74	1772	7.8					0.95	1404	11	GS77R37	
	0.84	1559	7.8								GSF77R37	
	0.96	1363	7.8		1.1		1245	11	GSA77R37			
1.10	1194	7.8					GSAF77R37					
1.3	1045	7.8	GS67R37	0.18	1220	1.2	1100	11	GS77R37	0.25		
1.4	914	7.8	GSF67R37			GSF77R37						
			GSA67R37					GSA77R37				
			GSAF67R37					GSAF77R37				
1.6	809	7.8	GS67R37	0.18			1.4	954	11	GS77R37	0.37	
			GSF67R37			1.6	837	11	GSF77R37			
			GSA67R37					GSA77R37				
			GSAF67R37					GSAF77R37				
2.2	615	7.8	GS67R37	0.25			1.9	714	11	GS77R37	0.55	
			GSF67R37			2.2	637	11	GSF77R37			
			GSA67R37				GSA77R37					
			GSAF67R37				GSAF77R37					
2.8	469	7.8	GS67R37	0.37		3.2	438	11	GS77R37	0.75		
			GSF67R37					GSF77R37				
3.1	424	7.8	GSA67R37					GSA77R37				
3.6	365	7.8	GSAF67R37					GSAF77R37				
4.4	319	7.8	GS67R37	0.55		4.3	327	11	GS77R37	1.1		
			GSF67R37					GSF77R37				
4.9	281	7.8	GSA67R37					GSA77R37				
5.7	246	7.8	GSAF67R37					GSAF77R37				
6.3	221	7.8	GSAF67R37					GSAF77R37				
7.0	198	7.8	GS67R37	0.75	2300	0.05	25987	26		0.12		
			GSF67R37			0.05	23940	26				
			GSA67R37			0.06	20568	26				
			GSAF67R37			0.07	18265	26				
						0.08	16774	26	GS87R57			
						0.09	14820	26	GSF87R57			
						0.10	13160	26	GSA87R57			
						0.12	11200	26	GSAF87R57			
						0.13	9904	26				
						0.15	8549	26				
						0.17	7643	26				
						0.20	6706	26				
1220	0.05	25493	11				0.12					
	0.06	21787	11									
	0.07	19907	11	GS77R37								
	0.08	17013	11	GSF77R37								
	0.09	14668	11	GSA77R37								
	0.10	13110	11	GSAF77R37								
	0.11	11569	11									
	0.13	9887	11									

选型参数表
(恒扭矩)

Selection Table
(Constant Torque)

Mamax [Nm]	n _a [r/min]	i	F _{ra} [kN]	机型号 Type size	P [kW]/4P	Mamax [Nm]	n _a [r/min]	i	F _{ra} [kN]	机型号 Type size	P [kW]/4P
2300	0.22	5875	26	GS87R57	0.18	4000	0.43	3108	30	GS97R57	0.37
	0.25	5187	26	GSF87R57			0.50	2654	30	GSF97R57	
	0.28	4606	26	GSA87R57			0.57	2329	30	GSA97R57	
				GSAF87R57			0.67	2081	30	GSAF97R57	
	0.34	3872	26	GS87R57	0.25		0.75	1860	30	GS97R57	0.55
				GSF87R57			0.88	1574	30	GSF97R57	
				GSA87R57			1.0	1394	30	GSA97R57	
	0.38	3475	26	GSAF87R57	0.25		1.1	1223	30	GS97R57	0.75
	0.46	2905	26	GS87R57			1.3	1070	30	GSF97R57	
				GSF87R57			1.5	928	30	GSA97R57	
	0.51	2586	26	GSA87R57	0.37		1.7	824	30	GSAF97R57	1.1
	0.57	2335	26	GSAF87R57			2.0	714	31	GS97R57	
	0.65	2054	26	GS87R57			2.2	626	30	GSF97R57	
	0.76	1824	26	GSF87R57			2.6	538	30	GSA97R57	
	0.85	1631	26	GSA87R57	0.55		3.0	484	30	GSAF97R57	1.5
	1.0	1332	26	GSAF87R57			3.4	420	30	GS97R57	
	1.2	1191	26	GS87R57			3.8	376	30	GSF97R57	
	1.3	1032	26	GSF87R57	0.75		4.4	327	30	GSA97R57	2.2
	1.5	930	26	GSA87R57			5.0	287	30	GSAF97R57	
	1.7	831	26	GSAF87R57			5.7	252	30	GS97R57	
1.9	719	26	GS87R57	1.1	6.6	219	30	GSF97R57	3		
2.2	624	26	GSF87R57		7.0	200	30	GSA97R57			
2.5	558	26	GSA87R57		7.5	185	30	GSAF97R57			
2.9	485	26	GSAF87R57	1.5	8.0	170	30	GS97R57	4		
3.2	435	26	GS87R57		8.5	155	30	GSF97R57			
3.7	378	26	GSF87R57		9.0	140	30	GSA97R57			
4.4	323	26	GSA87R57	2.2	9.5	125	30	GSAF97R57	5		
5.1	281	26	GSAF87R57		10.0	110	30	GS97R57			
			GS87R57		10.5	95	30	GSF97R57			
4000	0.04	33818	31	GS87R57	0.12	6500	0.05	27093	40	GS97R57	0.18
	0.04	31154	31	GSF87R57			0.06	23118	40	GSF97R57	
	0.05	27847	31	GSA87R57			0.06	20215	40	GSA97R57	
	0.05	24641	31	GSAF87R57			0.07	18344	40	GSAF97R57	
	0.06	21537	31	GS97R57			0.08	15767	40	GS97R57	
	0.07	18749	31	GSF97R57			0.10	12901	40	GSF97R57	
	0.08	16233	31	GSA97R57			0.11	11708	40	GSA97R57	
	0.09	14576	31	GSAF97R57			0.11	11708	40	GSAF97R57	
	0.10	12752	31				0.12	10719	40	GS97R57	
	0.12	11267	31				0.13	9727	40	GSF100R77	
	0.13	10078	31		0.16		8360	40	GSA100R77		
	0.15	8608	31	GS97R57	0.16		8360	40	GSAF100R77		
	0.17	7554	31	GSF97R57	0.18		7226	40	GS97R57		
	0.20	6640	30	GSA97R57	0.18		7226	40	GSF100R77		
	0.23	5780	30	GSAF97R57	0.20		6557	40	GSA100R77		
	0.27	4937	30		0.20		6557	40	GSAF100R77		
				GS97R57	0.23		5769	40	GS97R57		
	0.30	4444	30	GSF97R57	0.25					GSF100R77	
	0.33	4017	30	GSA97R57						GSA100R77	
	0.39	3453	30	GSAF97R57						GSAF100R77	

选型参数表
(恒扭矩)

Selection Table
(Constant Torque)

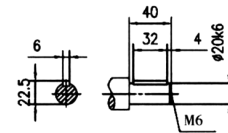
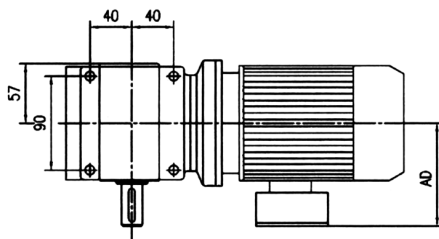
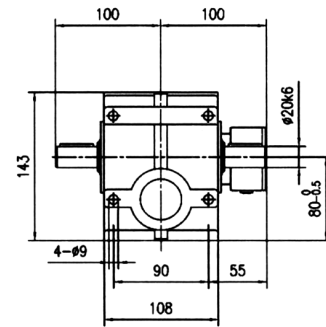
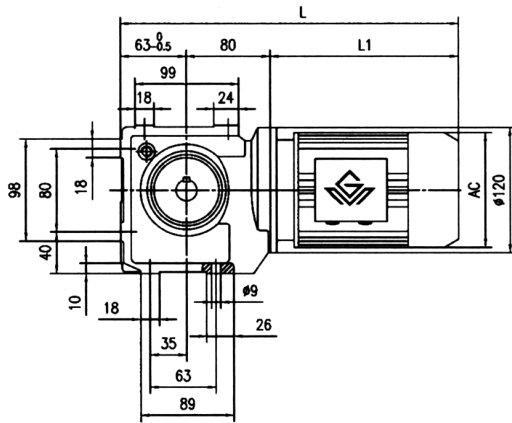
Mamax [Nm]	n _a [r/min]	i	F _{ra} [kN]	机型号 Type size	P [kW]/4P	Mamax [Nm]	n _a [r/min]	i	F _{ra} [kN]	机型号 Type size	P [kW]/4P
6500	0.14	9727	40		0.37	6500	0.94	1521	40		2.2
	0.16	8360	40	GS100R77			1.1	1327	40		
	0.18	7226	40	GSF100R77			1.3	1126	40	GS100R77	
	0.20	6557	40	GSA100R77			1.5	984	40	GSF100R77	
	0.23	5769	40	GSAF100R77			1.7	864	40	GSA100R77	
	0.27	4958	40				1.8	812	40	GSAF100R77	
	0.31	4328	40		2.1		688	40			
	0.19	7226	40		2.4		602	40			
	0.21	6557	40	GS100R77	0.55		1.3	1126	40		3
	0.24	5769	40	GSF100R77			1.5	984	40		
	0.28	4958	40	GSA100R77			1.7	864	40	GS100R77	
	0.32	4328	40	GSAF100R77			1.8	812	40	GSF100R77	
	0.43	3243	40				2.1	688	40	GSA100R77	
	0.55	2530	40				2.4	602	40	GSAF100R77	
	0.24	5769	40		2.6		544	40			
	0.28	4958	40		3.0		476	40			
	0.32	4328	40	GS100R77	3.5		409	40			
	0.43	3243	40	GSF100R77	0.75		1.8	812	40		4
	0.43	3243	40	GSF100R77			2.1	688	40		
	0.55	2530	40	GSA100R77			2.4	602	40	GS100R77	
	0.63	2208	40	GSAF100R77			2.6	544	40	GSF100R77	
	0.71	1950	40				3.0	476	40	GSA100R77	
	0.43	3243	40				3.5	409	40	GSAF100R77	
	0.55	2530	40	GS100R77	4.1		352	40			
	0.63	2208	40	GSF100R77	4.7		307	40			
	0.72	1950	40	GSA100R77	1.1		2.4	602	40		5.5
	0.79	1769	40	GSAF100R77			2.6	544	40	GS100R77	
	0.92	1521	40				3.0	476	40	GSF100R77	
	1.05	1327	40				3.5	409	40	GSA100R77	
	0.55	2530	40				4.1	352	40	GSAF100R77	
	0.63	2208	40				4.7	307	40		
	0.72	1950	40	GS100R77	1.5						
0.79	1769	40	GSF100R77								
0.92	1521	40	GSA100R77								
1.1	1327	40	GSAF100R77								
1.2	1126	40									
1.4	984	40									

GS37

安装结构尺寸

GS37

Mounting Dimensional Description



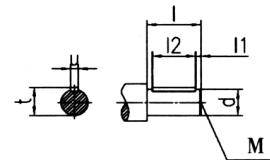
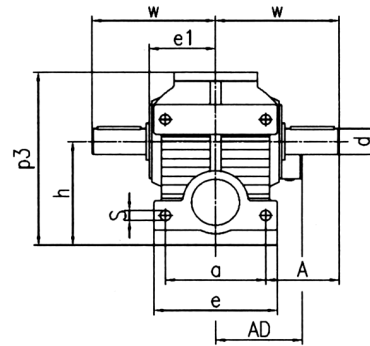
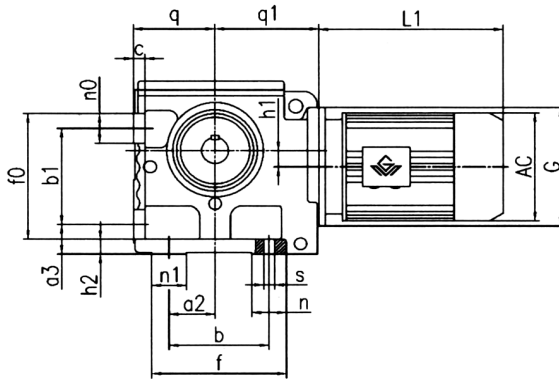
电机机座号 Motor frame size	63	71	80	90S	90L					
AC	130	145	175	195	195					
AD	70	80	145	155	155					
L1	207	225	255	270	295					
L	350	368	398	413	438					

注:电机需方配或配特殊电机时需加联接法兰(见附录 D)

Note: When equipping the user's motor or the special one, the flange is required to connected.(Please see appendix D)

GS47-97
安装结构尺寸

GS47-97
Mounting Dimensional Description



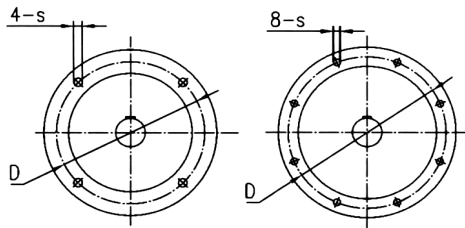
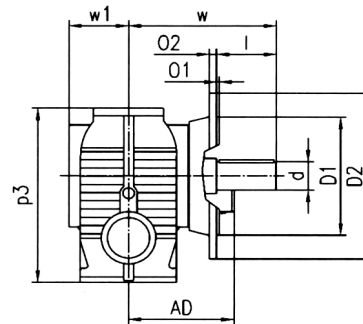
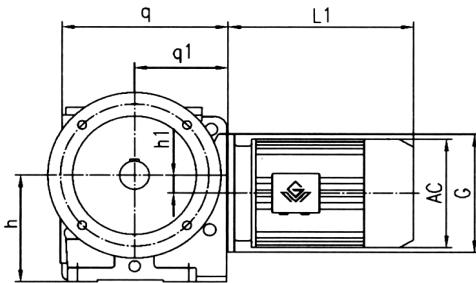
规格 Specification	q	q ₁	c	f ₀	b ₁	n ₀	a ₃	h ₁	h ₂	n ₁	a ₂	s	n	b	f	电机尺寸 Motor Size			
	d	w	A	a	e	h	p ₃	e ₁	u	t	l	l ₁	l ₂	M	G	AC	AD	L1	
GS47	75 ^{-0.5} Φ25k6	96 115	12 65	105 100	80 120	25 100 ^{-0.5}	35 165	8 60	15 8	30 28	35 50	Φ11 5	30 40	80 M10	112 Φ120	见附录 A-2 Please see appendix A-2			
GS57	80 ^{-0.5} Φ30k6	107 134	12 79	130 110	100 136	30 112 ^{-0.5}	35 189	20 71	15 8	30 33	45 60	Φ11 3.5	30 50	100 M10	130 Φ120				
GS67	106 ^{-0.5} Φ35k6	135 160	15 95	170 130	130 160	40 140 ^{-0.5}	40 236	22 85.5	20 10	45 38	60 70	Φ13.5 7	45 56	130 M12	175 Φ160				
GS77	125 ^{-0.5} Φ45k6	162 195	25 120	177 150	135 185	42 180 ^{-0.5}	70 301	34 101	25 14	50 48.5	75 90	Φ17.5 5	69 80	135 M16	204 Φ200				
GS87	150 ^{-0.5} Φ60m6	190 255	30 155	230 200	180 250	50 225 ^{-0.5}	82 368	37.5 130	30 18	60 64	92 120	Φ22 5	67 110	180 M20	247 Φ250				
GS97	180 ^{-0.5} Φ70m6	240 295	35 170	295 250	235 300	60 280 ⁻¹	90 455	52 150	35 20	80 74.5	115 140	Φ26 7.5	85 125	235 M20	320 Φ300				

注:电机需方配或配特殊电机时需加联接法兰(见附录 D)

Note: When equipping the user's motor or the special one, the flange is required to connected.(Please see appendix D)

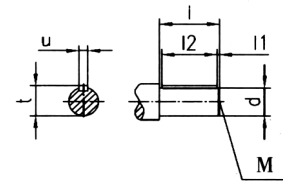
GSF37-97
安装结构尺寸

GSF37-97
Mounting Dimensional Description



GSF37-87

GSF97



规格 Specification	q p ₃	q ₁ w	h w ₁	h ₁ u	s t	D l	D ₁ l ₁	D ₂ l ₂	o ₁ d	O ₂ M	G	电机尺寸 Motor Size			
												AC	AD	L1	
GSF37	143 131	80 115	82 _{-0.5} 57	/ 6	Φ9/Φ6.6 22.5	Φ130/Φ100 40	Φ110j6/Φ80j6 4	Φ160/Φ120 32	3.5/3 Φ20k6	10/8 M6	Φ120	见附录 A-2 Please see appendix A-2			
GSF47	171 179	96 133.5	100 _{-0.5} 57.5	8 8	Φ9 28	Φ130 50	Φ110j6 5	Φ160 40	3.5 Φ25k6	10 M10	Φ120				
GSF57	187 189	107 160	112 _{-0.5} 72	20 8	Φ11 33	Φ165 60	Φ130j6 3.5	Φ200 50	3.5 Φ30k6	12 M10	Φ120				
GSF67	242 236	135 196.5	140 _{-0.5} 80.5	22 10	Φ11 38	Φ165 70	Φ130j6 7	Φ200 56	3.5 Φ35k6	12 M12	Φ160				
GSF77	287 301	162 240.5	180 _{-0.5} 101	34 14	Φ13.5 48.5	Φ215 90	Φ180j6 5	Φ250 80	4 Φ45k6	15 M16	Φ200				
GSF87	340 368	190 297.5	225 _{-0.5} 120	37.5 18	Φ17.5 64	Φ300 120	Φ250h6 5	Φ350 110	5 Φ60m6	18 M20	Φ250				
GSF97	420 455	240 345	280 ₋₁ 140	52 20	Φ17.5 74.5	Φ400 140	Φ350h6 7.5	Φ450 125	5 Φ70m6	22 M20	Φ300				

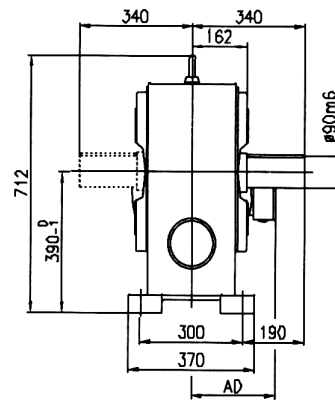
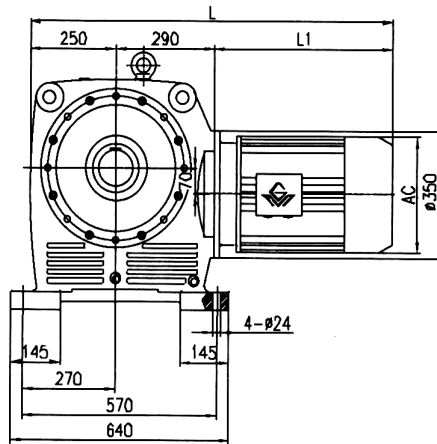
注:电机需方配或配特殊电机时需加联接法兰(见附录 D)

Note: When equipping the user's motor or the special one, the flange is required to connected.(Please see appendix D)

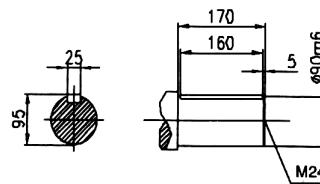
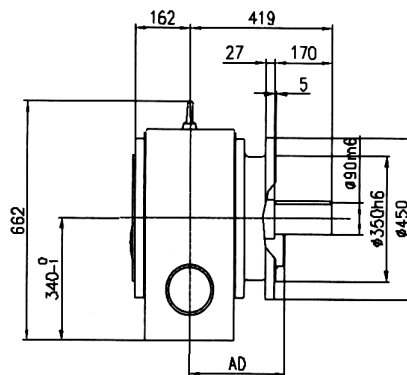
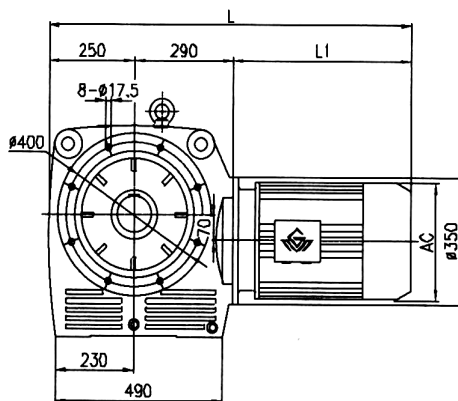
GS100/GSF100
安装结构尺寸

GS100/GSF100
Mounting Dimensional Description

GS100



GSF100



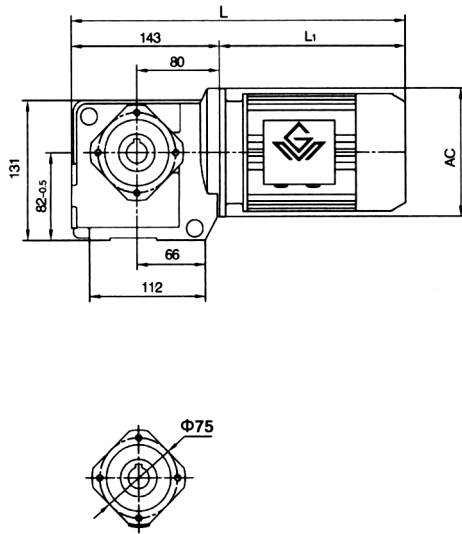
电机机座号 Motor frame size	100L	112M	132S	132M	160M	160L	180M	180L	200L
AC	215	240	275	275	330	330	380	380	420
AD	180	190	210	210	255	255	280	280	305
L1	325	340	390	430	505	560	590	630	660
L	865	880	930	970	1045	1100	1130	1170	1200

注:电机需方配或配特殊电机时需加联接法兰(见附录 D)

Note: When equipping the user's motor or the special one, the flange is required to connected.(Please see appendix D)

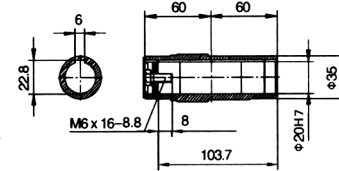
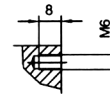
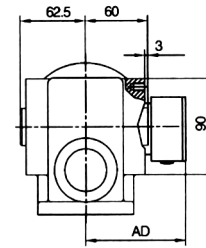
GSA37

安装结构尺寸



GSA37

Mounting Dimensional Description



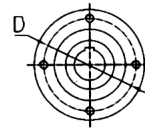
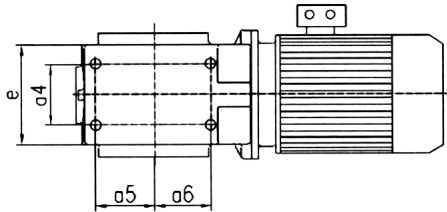
电机机座号 Motor frame size	63	71	80	90S	90L					
AC	130	145	175	195	195					
AD	70	80	145	155	155					
L1	207	225	255	270	295					
L	350	368	398	413	438					

注:电机需方配或配特殊电机时需加联接法兰(见附录 D)

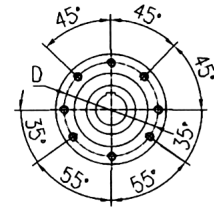
Note: When equipping the user's motor or the special one, the flange is required to connected.(Please see appendix D)

GSA47-97
安装结构尺寸

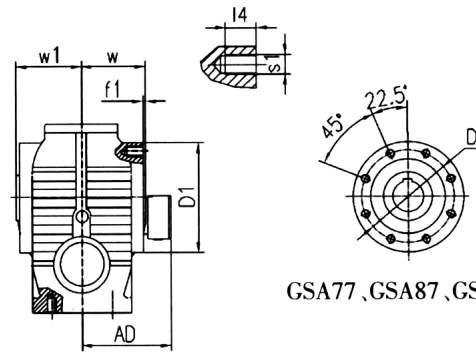
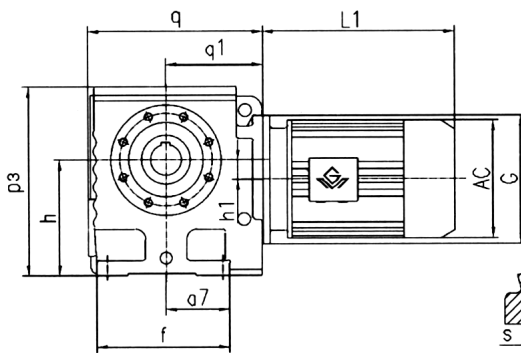
GSA47-97
Mounting Dimensional Description



GSA47, GSA67

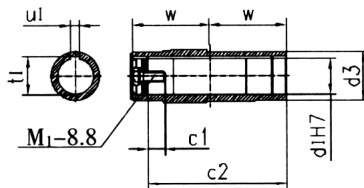


GSA57

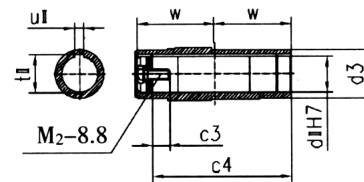


GSA77, GSA87, GSA97

较大孔径(The bigger diameter of bore)



较小孔径(The smaller diameter of bore)



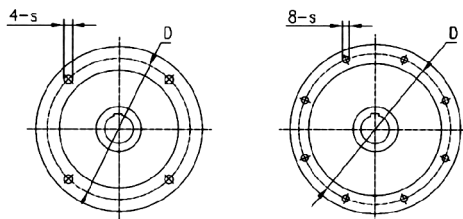
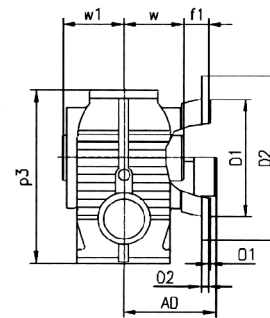
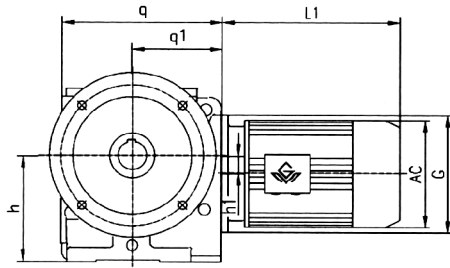
规格 Specification	e	a ₄	a ₅	a ₆	s	l ₃	s ₁	l ₄	D	q	q ₁	p ₃	h	c ₁	c ₃	M ₁	G	电机尺寸 Motor Size			
	h ₁	a ₇	f	w	f ₁	D ₁	d ₃	d ₁	U _I	t _I	d _{II}	u _{II}	t _{II}	c ₂	c ₄	M ₂	W ₁	AC	AD	L1	
GSA47	94 8	60 67	35 127	52 60	M10 2.5	20 Φ130	M8 Φ45	12 Φ30	Φ115 8	171 33.3	96 Φ25	179 8	100 ^{-0.5} 28.3	17 103.7	17 103.7	M10x25 M10x25	Φ120 63	见附录 A-2 Please see appendix A-2			
GSA57	100 20	60 73	58.5 146	58.5 75	M10 3	20 Φ120	M8 Φ50	12 Φ35	Φ102 10	187 38.3	107 Φ30	189 8	112 ^{-0.5} 33.3	22 132	17 132	M12x30 M10x25	Φ120 78				
GSA67	128 22	88 95.5	71.5 182	80.5 84	M12 3.5	25 Φ155	M12 Φ65	20 Φ45	Φ130 14	242 48.8	135 Φ40	236 12	140 ^{-0.5} 43.3	29 144	29 144	M16x40 M16x40	Φ160 87				
GSA77	156 34	102 104	85 204	85 105	M16 4	32 Φ178	M12 Φ80	20 Φ60	Φ155 18	287 64.4	162 Φ50	301 14	180 ^{-0.5} 53.8	37 183	32 183	M20x50 M16x45	Φ200 108				
GSA87	194 37.5	118 125	115 260	110 125	M16 5	32 Φ215	M16 Φ95	26 Φ70	Φ180 20	340 74.9	190 Φ60	368 18	225 ^{-0.5} 64.4	34 220	36 220	M20x50 M20x50	Φ250 128				
GSA97	236 52	160 140	135 301	113 145	M20 5	36 Φ260	M16 Φ120	26 Φ90	Φ220 25	420 95.4	240 Φ70	455 20	280 ⁻¹ 74.9	41 260	34 260	M24x60 M20x50	Φ300 149				

注:电机需方配或配特殊电机时需加联接法兰(见附录 D)

Note: When equipping the user's motor or the special one, the flange is required to connected.(Please see appendix D)

GSAF37-97
安装结构尺寸

GSAF37-97
Mounting Dimensional Description

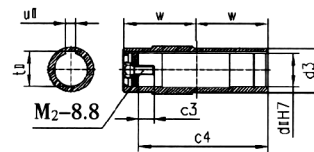
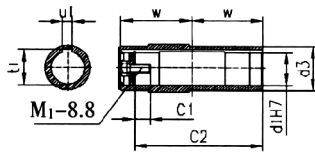


GSAF37-87

GSAF97

较大孔径 (The bigger diameter of bore)

较小孔径 (The smaller diameter of bore)



规格 Specification	q p ₃	q ₁ w	h f ₁	h ₁ d ₃	s dI	D UI	D ₁ tI	D ₂ dII	o ₁ uII	o ₂ tII	c ₁ c ₂	c ₃ c ₄	M ₁ M ₂	G W ₁	电机尺寸 Motor Size			
															AC	AD	L1	
GSAF37	143 131	80 60	82 ^{-0.5} 15	/ Φ35	Φ9/Φ6.6 Φ20	Φ130/Φ100 6	Φ110j6/Φ80j6 22.8	Φ160/Φ120 /	3.5/3 /	10/8 /	17 103.7	/ /	M6x16 /	Φ120 62.5	见附录 A-2 Please see appendix A-2			
GSAF47	171 179	96 60	100 ^{-0.5} 24	8 Φ45	Φ9 Φ30	Φ130 8	Φ110j6 33.3	Φ160 Φ25	3.5 8	10 28.3	17 103.7	17 103.7	M10x25 M10x25	Φ120 63				
GSAF57	187 189	107 75	112 ^{-0.5} 25	20 Φ50	Φ11 Φ35	Φ165 10	Φ130j6 38.3	Φ200 Φ30	3.5 8	12 33.3	22 132	17 132	M12x30 M10x25	Φ120 78				
GSAF67	242 236	135 84	140 ^{-0.5} 42.5	22 Φ65	Φ11 Φ45	Φ165 14	Φ130j6 48.8	Φ200 Φ40	3.5 12	12 43.3	29 144	29 144	M16x40 M16x40	Φ160 87				
GSAF77	287 301	162 105	180 ^{-0.5} 45.5	34 Φ80	Φ13.5 Φ60	Φ215 18	Φ180j6 64.4	Φ250 Φ50	4 14	15 53.8	37 183	32 183	M20x50 M16x45	Φ200 108				
GSAF87	340 368	190 125	225 ^{-0.5} 52.5	37.5 Φ95	Φ17.5 Φ70	Φ300 20	Φ250h6 74.9	Φ350 Φ60	5 18	18 64.4	34 220	36 220	M20x50 M20x50	Φ250 128				
GSAF97	420 455	240 145	280 ⁻¹ 60	52 Φ120	Φ17.5 Φ90	Φ400 25	Φ350h6 95.4	Φ450 Φ70	5 20	22 74.9	41 260	34 260	M24x60 M20x50	Φ300 149				

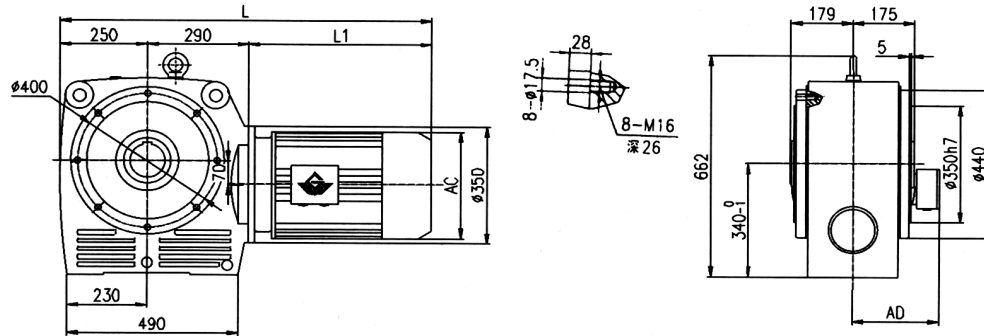
注:电机需方配或配特殊电机时需加联接法兰(见附录 D)

Note: When equipping the user's motor or the special one, the flange is required to connected.(Please see appendix D)

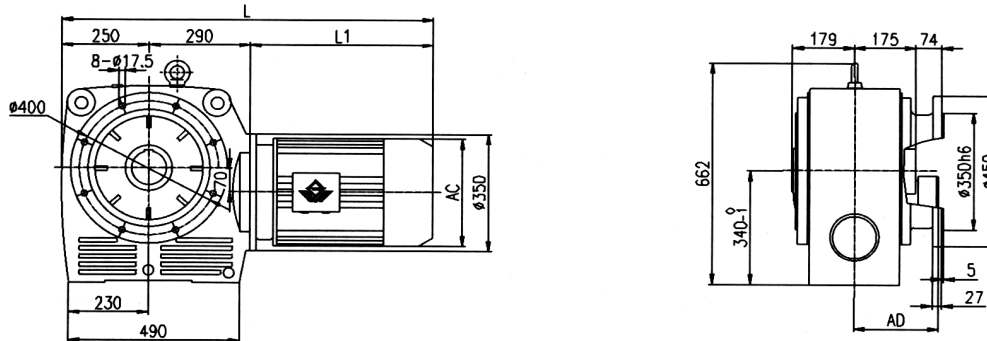
GSA100/GSAF100
安装结构尺寸

GSA100/GSAF100
Mounting Dimensional Description

GSA100

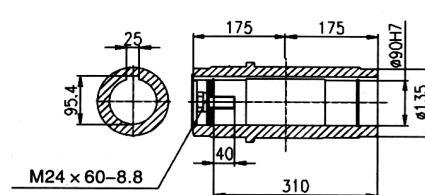
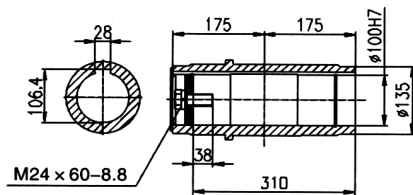


GSAF100



较大孔径 (The bigger diameter of bore)

较小孔径 (The smaller diameter of bore)



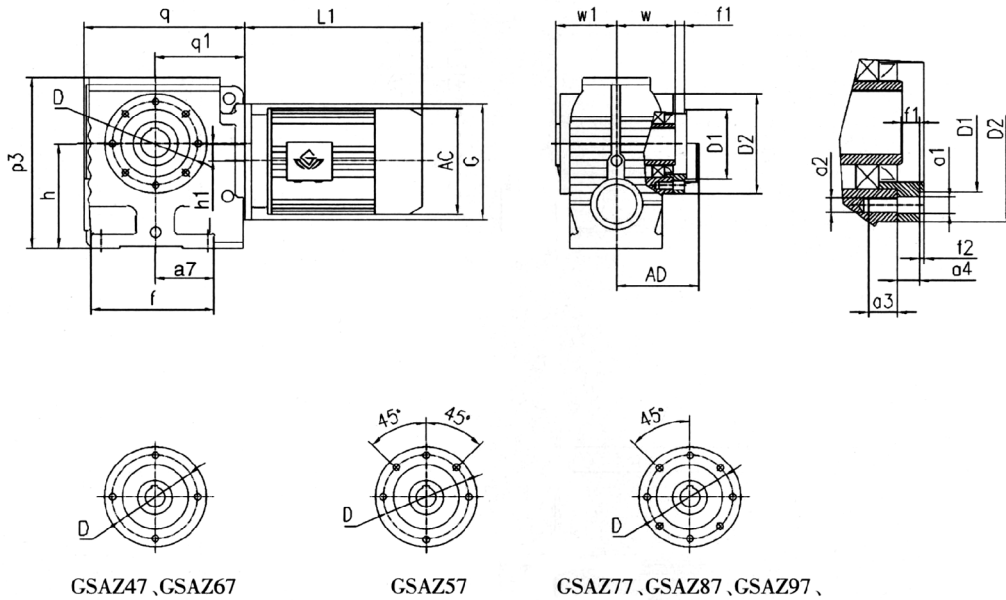
电机机座号 Motor frame size	100L	112M	132S	132M	160M	160L	180M	180L	200L
AC	215	240	275	275	330	330	380	380	420
AD	180	190	210	210	255	255	280	280	305
L1	325	340	390	430	505	560	590	630	660
L	865	880	930	970	1045	1100	1130	1170	1200

注: 电机需方配或配特殊电机时需加联接法兰(见附录 D)

Note: When equipping the user's motor or the special one, the flange is required to connected.(Please see appendix D)

GSAZ47-97
安装结构尺寸

GSAZ47-97
Mounting Dimensional Description



较大孔径(The bigger diameter of bore)

较小孔径(The smaller diameter of bore)

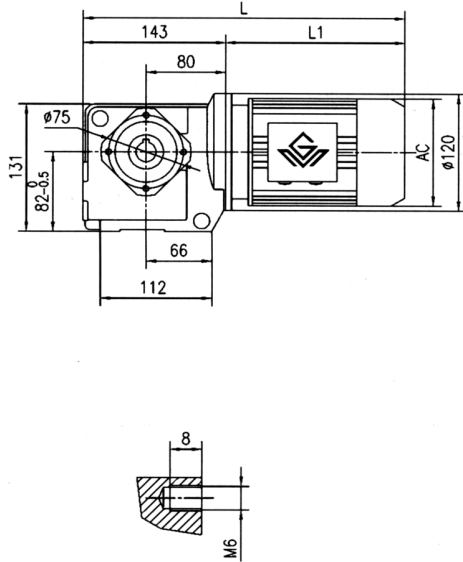


规格 Specification	d ₁ d ₁₁	d ₃ G	M ₁ M ₂	q q ₁	h h ₁	p ₃ f	a ₇ f ₂	a ₂ f ₁	a ₃ a ₁	a ₄ D	D ₁ D ₂	w w ₁	t _I U _I	t _{II} U _{II}	c ₁ c ₂	c ₃ c ₄	电机尺寸 Motor Size			
																	AC	AD	L1	
GSAZ47	Φ30	Φ45	M10x25	171	100 ^{-0.5}	179	67	M8	12	11	Φ95j6	60	33.3	28.3	17	17	见附录 A-2 Please see appendix A-2			
	Φ25	Φ120	M10x25	96	8	127	3	8.5	Φ9	Φ115	Φ130	63	8	8	103.7	103.7				
GSAZ57	Φ35	Φ50	M12x30	187	112 ^{-0.5}	189	73	M8	12	11	Φ80j6	75	38.3	33.3	22	17				
	Φ30	Φ120	M10x25	107	20	146	3	8	Φ9	Φ102	Φ120	78	10	8	132	132				
GSAZ67	Φ45	Φ65	M16x40	242	140 ^{-0.5}	236	95.5	M12	20	13	Φ105j6	84	48.8	43.3	29	29				
	Φ40	Φ160	M16x40	135	22	182	3.5	9.5	Φ13.5	Φ130	Φ155	87	14	12	144	144				
GSAZ77	Φ60	Φ80	M20x50	287	180 ^{-0.5}	301	104	/	/	18.5	Φ125j6	105	64.4	53.8	37	32				
	Φ50	Φ200	M16x45	162	34	204	4	14.5	M12	Φ155	Φ180	108	18	14	183	183				
GSAZ87	Φ70	Φ95	M20x50	340	225 ^{-0.5}	368	125	/	/	23.5	Φ150j6	125	74.9	64.4	34	36				
	Φ60	Φ250	M20x50	190	37.5	260	5	18.5	M16	Φ180	Φ215	128	20	18	220	220				
GSAZ97	Φ90	Φ120	M24x60	420	280 ⁻¹	455	140	/	/	23.5	Φ180j6	145	95.4	74.9	41	34				
	Φ70	Φ300	M20x50	240	52	301	5	18.5	M16	Φ220	Φ260	149	25	20	260	260				

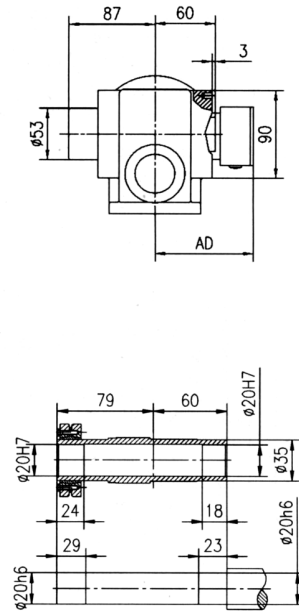
注:电机需方配或配特殊电机时需加联接法兰(见附录 D)

Note: When equipping the user's motor or the special one, the flange is required to connected.(Please see appendix D)

GSH37
安装结构尺寸



GSH37
Mounting Dimensional Description



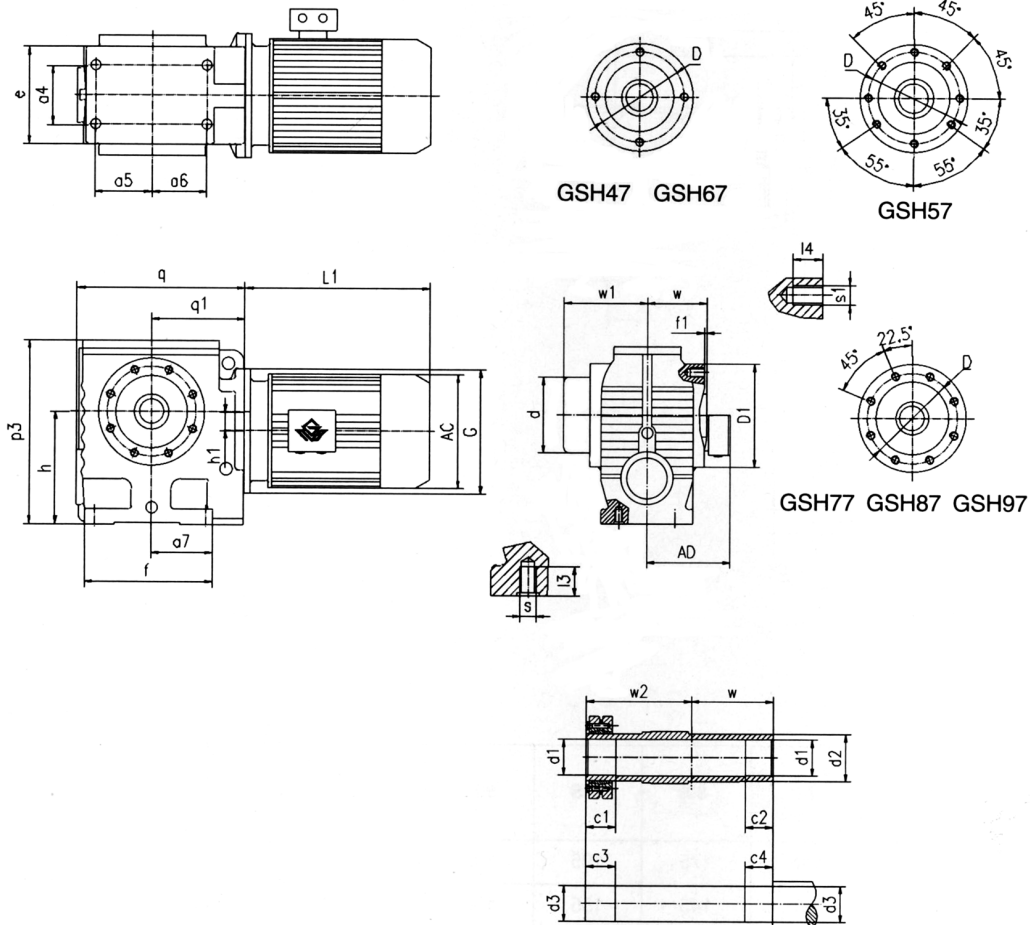
电机机座号 Motor frame size	63	71	80	90S	90L					
AC	130	145	175	195	195					
AD	70	80	145	155	155					
L1	207	225	255	270	295					
L	350	368	398	413	438					

注:电机需方配或配特殊电机时需加联接法兰(见附录 D)

Note: When equipping the user's motor or the special one, the flange is required to connected.(Please see appendix D)

GSH47-97
安装结构尺寸

GSH47-97
Mounting Dimensional Description

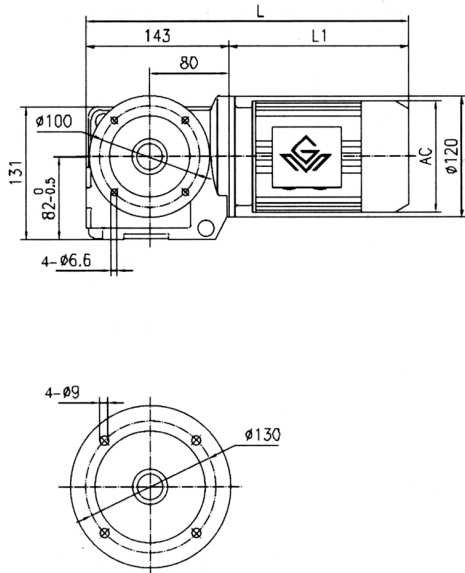


规格 Specification	q	e	a ₆	p ₃	h	f	w	c ₁	c ₃	D	d	d ₂	s	l ₃	w ₂	电机尺寸 Motor Size			
	q ₁	a ₄	a ₅	a ₇	h ₁	f ₁	w ₁	c ₂	c ₄	D ₁	d ₁	d ₃	s ₁	l ₄	G	AC	AD	L1	
GSH47	171 96	94 60	52 35	179 67	100 ^{-0.5} 8	127 2.5	60 95	31 20	36 25	Φ115 Φ130	Φ75 Φ30H7	Φ45 Φ30h6	M10 M8	20 12	86 Φ120	见附录 A-2 Please see appendix A-2			
GSH57	187 107	100 60	58.5 58.5	189 73	112 ^{-0.5} 20	146 3	75 110	32 20	37 25	Φ102 Φ120	Φ83 Φ35H7	Φ50 Φ35h6	M10 M8	20 12	102 Φ120				
GSH67	242 135	128 88	80.5 71.5	236 95.5	140 ^{-0.5} 22	182 3.5	84 120	38 20	43 25	Φ130 Φ155	Φ93 Φ40H7	Φ65 Φ40h6	M12 M12	25 20	112 Φ160				
GSH77	287 162	154 102	85 85	301 104	180 ^{-0.5} 34	204 4	105 146	36 30	41 35	Φ155 Φ178	Φ114 Φ50H7	Φ80 Φ50h6	M16 M12	32 20	136 Φ200				
GSH87	340 190	194 118	110 115	368 125	225 ^{-0.5} 37.5	260 5	125 176	40 40	45 45	Φ180 Φ215	Φ157 Φ65H7	Φ95 Φ65h6	M16 M16	32 26	165 Φ250				
GSH97	420 240	236 160	113 135	455 140	280 ^{-1.0} 52	301 5	145 204	55 50	60 55	Φ220 Φ260	Φ174 Φ75H7	Φ120 Φ75h6	M20 M16	36 26	190 Φ300				

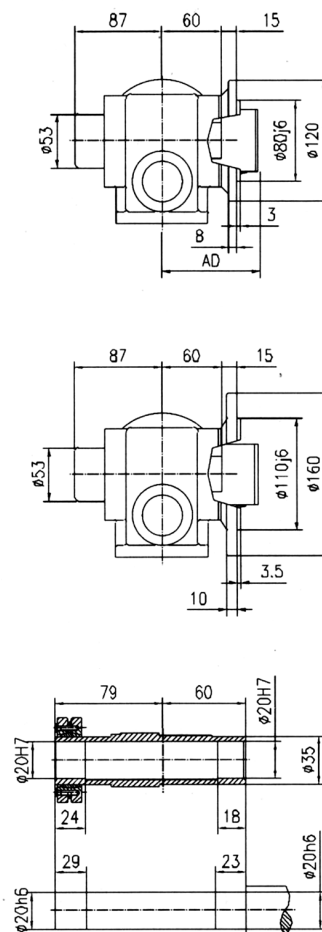
注:电机需方配或配特殊电机时需加联接法兰(见附录 D)

Note: When equipping the user's motor or the special one, the flange is required to connected.(Please see appendix D)

GSHF37
安装结构尺寸



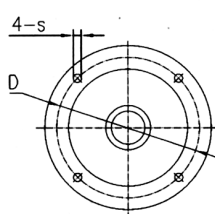
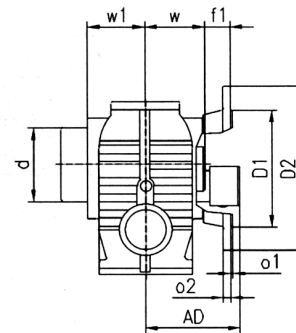
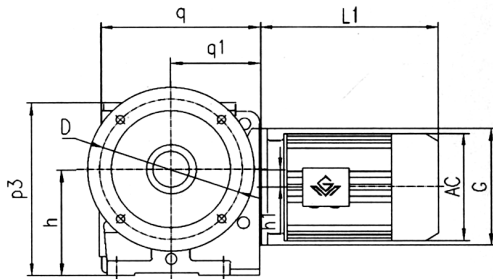
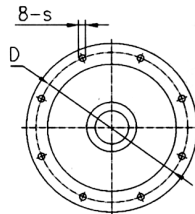
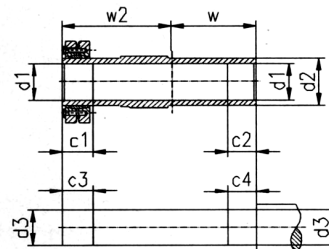
GSHF37
Mounting Dimensional Description



电机机座号 Motor frame size	63	71	80	90S	90L					
AC	130	145	175	195	195					
AD	70	80	145	155	155					
L1	207	225	255	270	295					
L	350	368	398	413	438					

注:电机需方配或配特殊电机时需加联接法兰(见附录 D)

Note: When equipping the user's motor or the special one, the flange is required to connected.(Please see appendix D)

GSHF47-97
安装结构尺寸
GSHF47-97
Mounting Dimensional Description

GSHF37-87

GSHF97


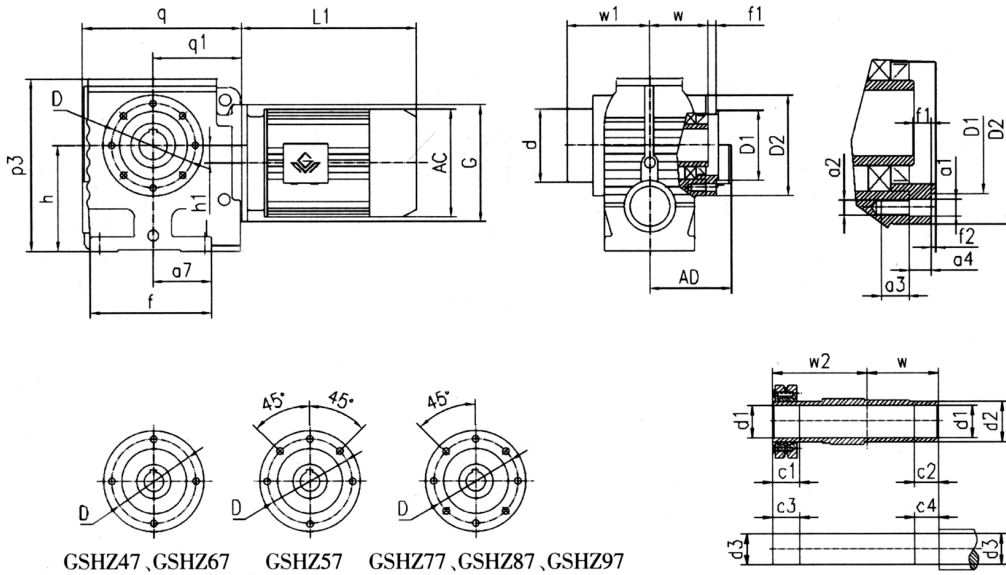
规格 Specification	q q ₁	h h ₁	s D	o ₂ o ₁	D ₂ D ₁	w w ₁	w ₂ c ₁	c ₂ f ₁	c ₃ c ₄	d d ₁	d ₂ d ₃	p ₃ G	电机尺寸 Motor Size			
													AC	AD	L1	
GSHF47	171 96	100 ^{-0.5} 8	Φ9 Φ130	10 3.5	Φ160 Φ110j6	60 95	86 31	20 24	36 25	Φ75 Φ30H7	Φ45 Φ30h6	179 Φ120	见附录 A-2 Please see appendix A-2			
GSHF57	187 107	112 ^{-0.5} 20	Φ11 Φ165	12 3.5	Φ200 Φ130j6	75 110	102 32	20 25	37 25	Φ83 Φ35H7	Φ50 Φ35h6	189 Φ120				
GSHF67	242 135	140 ^{-0.5} 22	Φ11 Φ165	12 3.5	Φ200 Φ130j6	84 120	112 38	20 42.5	43 25	Φ93 Φ40H7	Φ65 Φ40h6	236 Φ160				
GSHF77	287 162	180 ^{-0.5} 34	Φ13.5 Φ215	15 4	Φ250 Φ180j6	105 146	136 36	30 45.5	41 35	Φ114 Φ50H7	Φ80 Φ50h6	301 Φ200				
GSHF87	340 190	225 ^{-0.5} 37.5	Φ17.5 Φ300	18 5	Φ350 Φ250h6	125 176	165 40	40 52.5	45 45	Φ157 Φ65H7	Φ95 Φ65h6	368 Φ250				
GSHF97	420 240	280 ^{-1.0} 52	Φ17.5 Φ400	22 5	Φ450 Φ350h6	145 204	190 55	50 60	60 55	Φ174 Φ75H7	Φ120 Φ75h6	455 Φ300				

注:电机需方配或配特殊电机时需加联接法兰(见附录 D)

Note: When equipping the user's motor or the special one, the flange is required to connected.(Please see appendix D)

GSHZ47-97
安装结构尺寸

GSHZ47-97
Mounting Dimensional Description

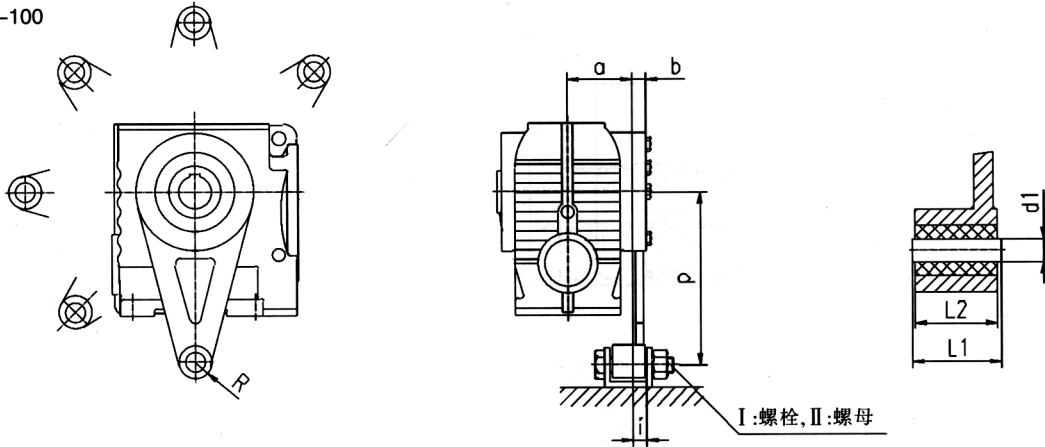
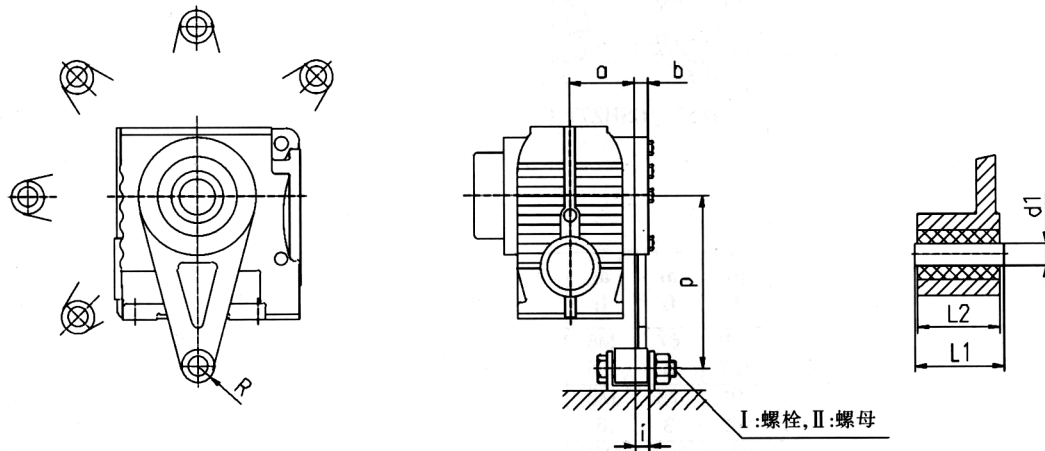


GSHZ47、GSHZ67 GSHZ57 GSHZ77、GSHZ87、GSHZ97

规格 Specifi- cation	d d ₁	d ₃ d ₂	q q ₁	h h ₁	p ₃ f	a ₇ f ₂	a ₂ f ₁	a ₃ a ₁	a ₄ D	D ₁ D ₂	c ₁ c ₂	c ₃ c ₄	w w ₁	w ₂ G	电机尺寸 Motor Size			
															AC	AD	L1	
GSHZ47	Φ75 Φ30H7	Φ30h6 Φ45	171 96	100 _{-0.5} 8	179 127	67 3	M8 8.5	12 Φ9	11 Φ115	Φ95j6 Φ130	31 20	36 25	60 95	86 Φ120	见附录 A-2 Please see appendix A-2			
GSHZ57	Φ83 Φ35H7	Φ35h6 Φ50	187 107	112 _{-0.5} 20	189 146	73 3	M8 8	12 Φ9	11 Φ102	Φ80j6 Φ120	32 20	37 25	75 110	102 Φ120				
GSHZ67	Φ93 Φ40H7	Φ40h6 Φ65	242 135	140 _{-0.5} 22	236 182	95.5 3.5	M12 9.5	20 Φ13.5	13 Φ130	Φ105j6 Φ155	38 20	43 25	84 120	112 Φ160				
GSHZ77	Φ114 Φ50H7	Φ50h6 Φ80	287 162	180 _{-0.5} 34	301 204	104 4	/ 14.5	/ M12	18.5 Φ155	Φ125j6 Φ180	36 30	41 35	105 146	136 Φ200				
GSHZ87	Φ157 Φ65H7	Φ65h6 Φ95	340 190	225 _{-0.5} 37.5	368 260	125 5	/ 18.5	/ M16	23.5 Φ180	Φ150j6 Φ215	40 40	45 45	125 176	165 Φ250				
GSHZ97	Φ174 Φ75H7	Φ75h6 Φ120	420 240	280 _{-1.0} 52	455 301	140 5	/ 18.5	/ M16	23.5 Φ220	Φ180j6 Φ260	55 50	60 55	145 204	190 Φ300				

注:电机需方配或配特殊电机时需加联接法兰(见附录 D)

Note: When equipping the user's motor or the special one, the flange is required to connected.(Please see appendix D)

**GSAT37-100/GSHT47-97
安装结构尺寸**
**GSAT37-100/GSHT47-97
Mounting Dimensional Description**
GSAT37-100

GSHT47-97


机型号 Type Size	a	b	i	p	R	d ₁	L _{1-0.3}	L ₂
GSAT37/GSHT37	57	10	26	110	21	10.4 ^{+0.1} _{-0.1}	36	31
GSAT47/GSHT47	57.5	15	20.5	130	21	10.4 ^{+0.1} _{-0.1}	36	31
GSAT57/GSHT57	72	15	18.5	160	21	10.4 ^{+0.1} _{-0.1}	36	31
GSAT67/GSHT67	80.5	18	19.5	200	21	10.4 ^{+0.1} _{-0.1}	36	31
GSAT77/GSHT77	101	18	32.5	250	30	16.4 ^{+0.08} _{-0.08}	60	54
GSAT87/GSHT87	120	24	25.5	310	30	16.4 ^{+0.08} _{-0.08}	60	54
GSAT97/GSHT97	140	26	33	380	40	25 ^{+0.08} _{-0.08}	80	72
GSAT100	162	24	49	430	40	25 ^{+0.08} _{-0.08}	80	74

其它尺寸请参照 GSA 和 GSH 型。

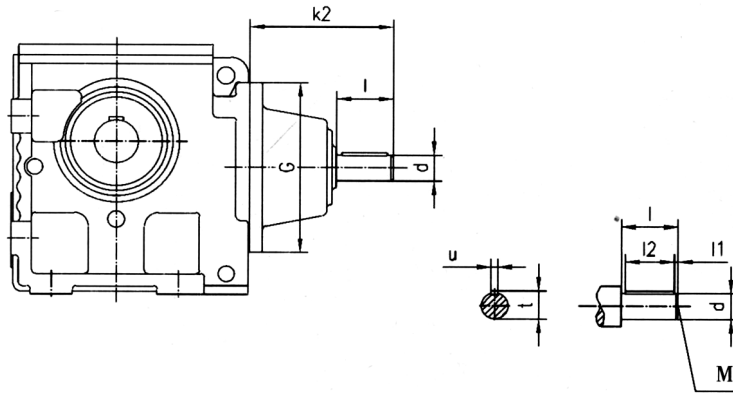
注: I:螺栓、II:螺母用户自配。

For other dimensions, see the type GSA and GSH.

Note: bolts I and nuts II are prepared by customers.

GS..SZ37-100AD1-6
安装结构尺寸

GS..SZ37-100AD1-6
Mounting Dimensional Description



GS..SZ37-100AD1-6 安装结构尺寸 (GS..SZ37-100AD1-6 Mounting Dimensional Description)

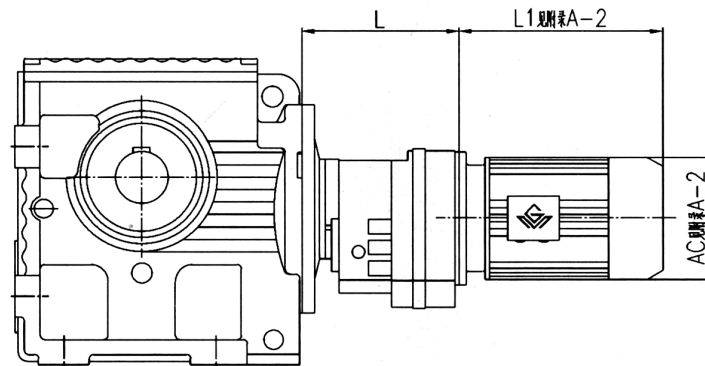
机型号 Type Size		d	G	k ₂	l	M	l ₁	l ₂	t	u
GS..SZ37/47/57	AD1	16k6	Φ 120	115	40	M5	4	32	18	5
	AD2	19k6	Φ 120	115	40	M6	4	32	21.5	6
GS..SZ67	AD2	19k6	Φ 160	120	40	M6	4	32	21.5	6
	AD3	24k6	Φ 160	130	50	M8	5	40	27	8
GS..SZ77	AD2	19k6	Φ 200	130	40	M6	4	32	21.5	6
	AD3	24k6	Φ 200	140	50	M8	5	40	27	8
	AD4	38k6	Φ 200	140	50	M12	5	40	41	10
GS..SZ87	AD2	19k6	Φ 250	160	40	M6	4	32	21.5	6
	AD3	28k6	Φ 250	180	60	M10	5	50	31	8
	AD4	38k6	Φ 250	200	80	M12	5	70	41	10
	AD5	42k6	Φ 250	200	80	M16	5	70	45	12
GS..SZ97	AD3	28k6	Φ 300	200	60	M10	5	50	31	8
	AD4	38k6	Φ 300	220	80	M12	5	70	41	10
	AD5	42k6	Φ 300	220	80	M16	5	70	45	12
	AD6	48k6	Φ 300	220	80	M16	5	70	51.5	14
GS..SZ100	AD3	28k6	Φ 350	220	60	M10	5	50	31	8
	AD4	38k6	Φ 350	240	80	M12	5	70	41	10
	AD5	42k6	Φ 350	270	110	M16	10	90	45	12
	AD6	48k6	Φ 350	270	110	M16	10	90	51.5	14

其它尺寸请参照 GS 型。

注:GSA/GSAF/GSF/GSAZ/GSH/GSHF/GSHZ 均可采用双轴型, 并分别记为 GSASZ..AD..、GSAFSZ..AD..、GSFSZ..AD..、GSAZSZ..AD..、GSHSZ..AD..、GSHFSZ..AD..和 GSHZSZ..AD..。

For other dimensions, see the type GS.

Note: double shafts type is also available for type GSA/GSAF/GSF/GSAZ/GSH/GSHF/GSHZ, and these double shafts types are respectively named type GSASZ..AD..、GSAFSZ..AD..、GSFSZ..AD..、GSAZSZ..AD..、GSHSZ..AD..、GSHFSZ..AD..and GSHZSZ..AD..

GS ..R..
安装结构尺寸
GS..R..
Mounting Dimensional Description


机型号 Type Size	电机机座号 Motor frame size	L
GS..37R17	63	131
	71	
GS..47R17 GS..57R17	63	131
	71	
	80	
GS..67R37	63	157
	71	
	80	
GS..77R37	63	157
	71	
	80	
	90	
GS..87R57	63	187
	71	
	80	
	90	
	100	
GS..97R57	63	187
	71	
	80	
	90	
	100	
	112	
GS..100R77	63	220
	71	
	80	
	90	
	100	

注:GSA/GSAF/GSF/GSAZ/GSH/GSHF/GSHZ 均可采用串联组合机型

Note: Combined type is also available for type GSA/GSAF/GSAZ/GSH/GSHF/GSHZ.

注:电机需方配或配特殊电机时需加联接法兰(见附录 D)

Note: When equipping the user's motor or the special one, the flange is required to connected.(Please see appendix D)



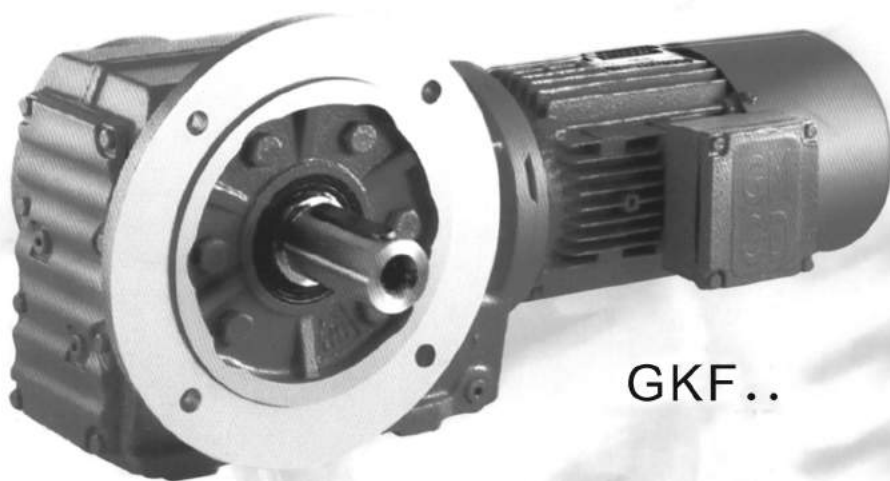
GM — GK

GK Series Helical- Bevel Geared Motors

GK
系列
斜齿轮—
弧齿锥
齿轮减
速电机



GK..



GKF..



GKA/T..

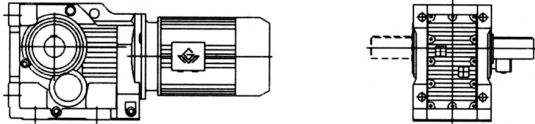
结构型式说明 Dimensional Description

GK 系列输出轴垂直于输入轴,由两级斜齿轮和一级弧齿锥齿轮构成。

Output shafts of GK series geared motors are vertical to input shafts. Each units consist of two stages helical gears and one stage bevel gears.

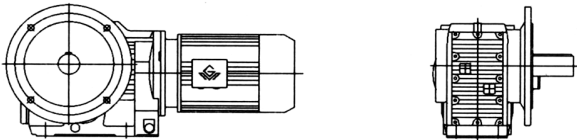
1、GK 型:底脚安装,输出轴为实心轴。

Type GK: Foot mounted Solid output shaft.



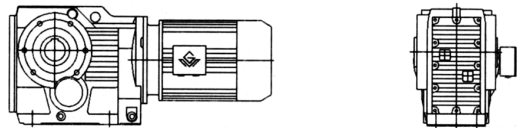
2、GKF 型:B5 法兰安装,输出轴为实心轴。

Type GKF: B5 flange mounted Solid output shaft.



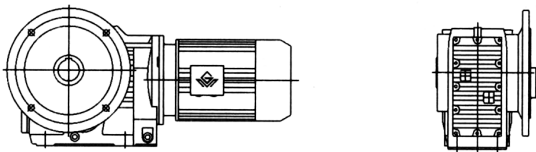
3、GKA 型:轴装式,输出轴为空心轴。

Type GKA: Shaft mounted. Hollow output shaft.



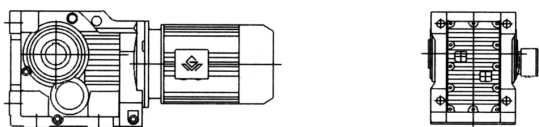
4、GKAF 型:B5 法兰安装,输出轴为空心轴。

Type GKAF: B5 flange mounted. Hollow output shaft.



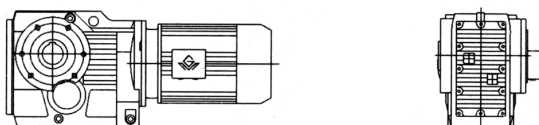
5、GKAB/GKHB 型:用 GK 型箱体,输出轴为空心轴。

Type GKAB/GKHB: Housings of type GK are used. Hollow output shaft.



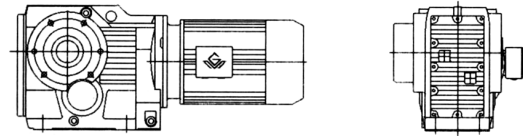
6、GKAZ 型:B14 法兰空心轴安装。

Type GKAZ: B14 flange mounted version with hollow shaft.



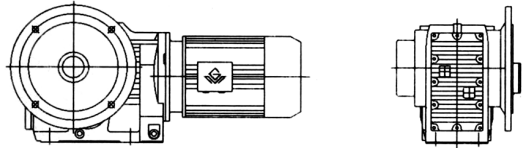
7、GKH 型:空心轴锁紧盘安装。

Type GKH: Hollow shaft and shrink disk.



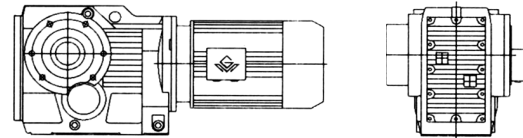
8、GKHF 型:B5 法兰空心轴锁紧盘安装。

Type GKHF: B5 flange-mounted version with hollow shaft and shrink disk.



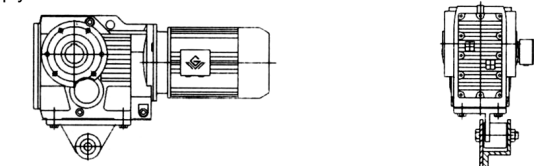
9、GKHZ 型:B14 法兰空心轴锁紧盘安装。

Type GKHZ: B14 flange-mounted version with hollow shaft and shrink disk.



10、GKAT/GKHT 型:即在 GKA/GKH 型上增加防转臂等附件后的派生型。

Type GKAT/GKHT: As altered type from type GKA/GKH, this type is added torque arm and other accessories. Basically, accessories except spring washer do not belong to our standard supply.



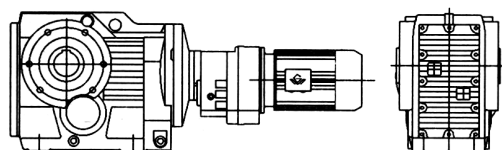
11、GK..SZ..AD..型:输入轴型。

Type GK..SZ..AD..: Input shaft types.

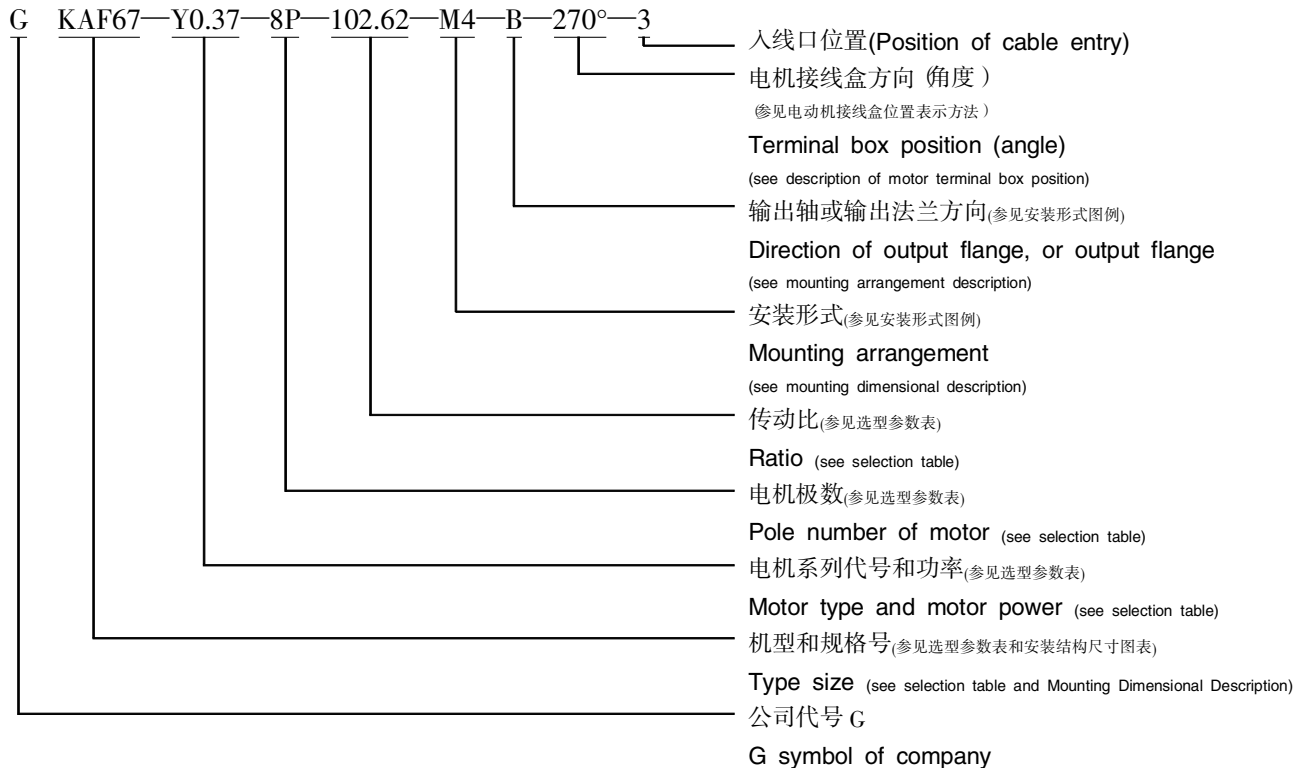


12、GK...R 型:GK 系列和 GR 系列的组合。

Type GK...R: Combined types of type GK and type GR.



GK系列机型号表示方法 Type Expression of GK Series



注:1、需带联接法兰时请注明

2、输入轴型没有电动机各项内容。

3、不注明接线盒方向时,则默认为安装形式中的 0 度位置。不注明入线口位置时,则默认为 X 位置。

4、对输出轴旋转方向和输入轴旋转方向有特别要求的用户,请与技术部联系,并在订货时用简图或文字说明。

Note: 1、Please make a note, if it needs connecting flange.

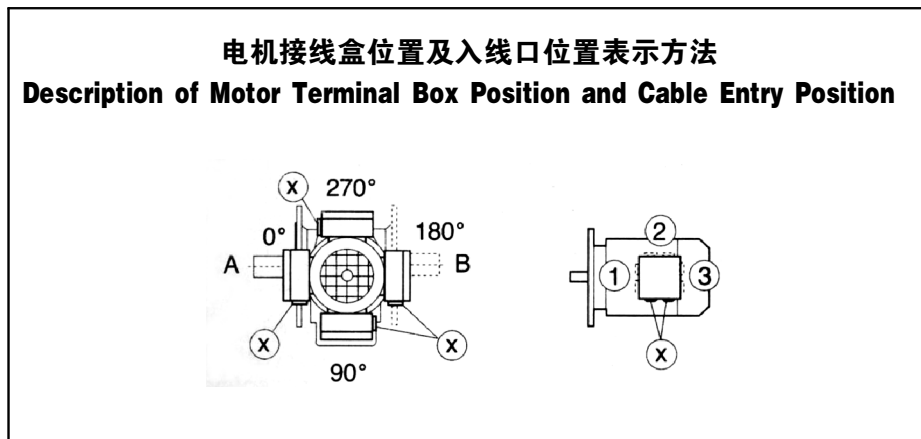
2、Contents of motors for input shaft types are not listed.

3、Degree=0°, if terminal box position is not mentioned. It is X, if cable entry position is not mentioned.

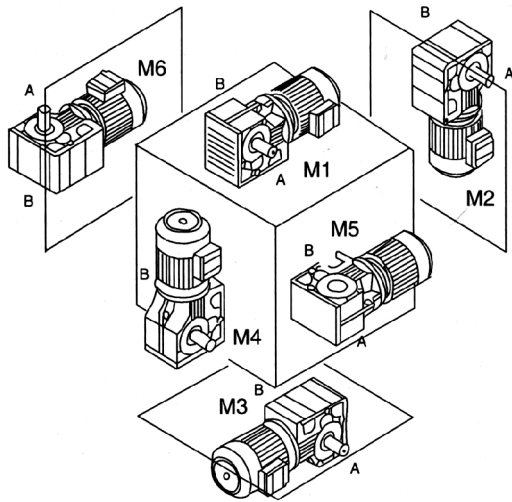
4、If specific rotation directions of output shaft or/and input shaft are specially requested, please contact our technology department, and make detailed description while placing order.

电机接线盒位置及入线口位置表示方法

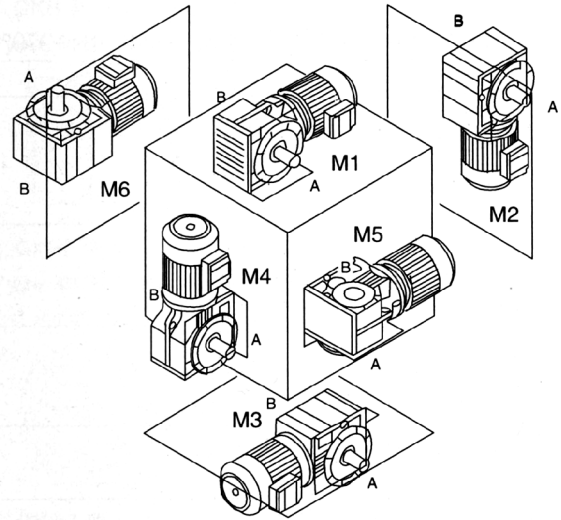
Description of Motor Terminal Box Position and Cable Entry Position



安装形式图例



Mounting Arrangements Description



各种安装形式定义为：

- M1—电机水平放置；减速机底脚朝下。
- M2—电机居下。
- M3—电机水平放置；减速机底脚朝上。
- M4—电机居上。
- M5—电机水平放置；当减速机在 M1 安装位置时，从电机方向看，减速机的左面旋转到下方位置。
- M6—电机水平放置；当减速机在 M1 安装位置时，从电机方向看，减速机的左面旋转到上方位置。

Different kinds of mounting arrangements are defined as following:

- M1—horizontally mounted motor, unit base is at bottom.
- M2—motor is vertically mounted downwards.
- M3—horizontally mounted motor, unit base is top.
- M4—motor is vertically mounted upwards.
- M5—horizontally mounted motor, if placed on M1 position, left side of unit turns to bottom (view point: towards from motor side).
- M6—horizontally mounted motor, if placed on M1 position, left side of unit turns to top (view point: towards from motor side).

减速机重量 (Gear unit weight)

规格 Size	GK37	GK47	GK57	GK67	GK77	GK87	GK97	GK107	GK127	GK157	GK167	GK187
重量(kg) Weight	14	21	28	32	54	93	153	270	403	630	1122	1630

注：重量为平均值，不包括电机，仅供参考。

(Note: The weights mean values, without the motor, only for reference.)

选型表注释 (Description of selection table)

恒功率 Constant power

n_a [r/min]	M_a [Nm]	i	F_{ra} [kN]	f_B	机型号 Type size	极数 Pole
↓	↓	↓	↓	↓	↓	↓
输出转速 Output speed	输出转矩 Output torque	减速机速比 Gear unit ratio	许用径向载荷 Permissible radial load	使用系数 Service factor		

恒转矩 Constant torque

M_{amax} [Nm]	n_a [r/min]	i	F_{ra} [kN]	机型号 Type size	P [kW]/4P
↓	↓	↓	↓	↓	↓
最大输出转矩 Max. output torque	输出转速 Output speed	减速机速比 Gear unit ratio	许用径向载荷 Permissible radial load		电机功率 Motor power

选型参数表
(恒功率)

Selection Table
(Constant Power)

n_a [r/min]	Ma [Nm]	i	F_{ra} [kN]	f_B	机型号 Type size	极数 Pole	n_a [r/min]	Ma [Nm]	i	F_{ra} [kN]	f_B	机型号 Type size	极数 Pole
0.12kW							0.12kW						
0.08	13734	17396	76	1.00			1.42	730	925	19	2.25	GK77R37	
0.08	12521	15859	76	1.10			1.60	645	817	19	2.55	GKF77R37	4P
0.09	11719	14843	77	1.20	GK127R77		1.85	561	710	19	2.95	GKA77R37	
0.11	9736	12331	77	1.40	GKF127R77	4P	2.10	492	623	19	3.35	GKAF77R37	
0.12	8542	10819	78	1.60	GKA127R77		0.97	1067	1351	8.8	0.80		
0.13	7738	9801	78	1.80	GKAF127R77		1.1	925	1171	10	0.95		
0.16	6605	8366	78	2.10				1.3	816	1034	11	1.05	
0.18	5786	7329	78	2.40			1.5	713	903	11	1.20		
0.09	11299	14311	62	0.80			1.7	626	793	12	1.40		
0.11	9641	12211	62	0.90			1.9	550	697	12	1.60	GK67R37	
0.12	8430	10678	62	1.00			2.1	484	613	12	1.80	GKF67R37	
0.14	7519	9524	62	1.15	GK107R77	4P	2.4	428	542	12	2.05	GKA67R37	
0.16	6575	8328	62	1.30	GKF107R77		2.8	372	471	12	2.35	GKAF67R37	
0.18	5739	7269	62	1.45	GKA107R77		3.1	332	420	12	2.60		
0.21	4882	6184	62	1.75	GKAF107R77		3.6	285	361	12	3.05		
0.23	4470	5662	62	1.90			4.1	255	323	12	3.40		
0.25	4057	5138	62	2.10			4.7	220	279	12	3.95		
0.30	3442	4360	62	2.50			5.3	194	246	12	4.50		
0.16	6360	8055	38	0.80			6.0	171	217	12	5.10		
0.19	5502	6969	38	0.85			1.4	715	906	7.4	0.90		
0.22	4758	6027	38	0.95	GK97R57	4P	1.6	636	806	7.8	1.00		
0.24	4257	5392	38	1.05	GKF97R57		1.9	552	699	8.3	1.15		
0.28	3686	4669	38	1.25	GKA97R57		2.1	486	615	8.5	1.30		
0.32	3222	4081	38	1.40	GKAF97R57		2.4	429	544	8.7	1.50		
0.37	2829	3583	38	1.60			2.8	373	473	8.8	1.70	GK57R37	
0.42	2454	3108	38	1.85			3.1	332	421	8.9	1.90	GKF57R37	
0.48	2176	2756	38	2.10			3.6	286	362	9.0	2.25	GKA57R37	
0.54	1910	2419	38	2.50			4.1	252	319	9.1	2.55	GKAF57R37	
0.62	1676	2123	38	2.70	GK97R57	4P	4.7	221	280	9.2	2.90		
0.71	1465	1856	38	3.10	GKF97R57		5.3	194	246	9.3	3.30		
0.81	1283	1625	38	3.55	GKA97R57		6.1	170	215	9.3	3.75		
0.92	1129	1430	38	4.05	GKAF97R57		6.8	152	192	9.4	4.20		
1.04	996	1261	38	4.60			2.1	505	639	2.4	0.85		
1.19	870	1102	38	5.25			2.4	436	552	6.0	0.95	GK47R37	
0.25	4136	5239	25	0.80			2.6	391	495	6.6	1.10	GKF47R37	
0.29	3602	4562	26	0.80	GK87R57	4P	3.1	336	426	6.9	1.25	GKA47R37	
0.32	3187	4037	26	0.90	GKF87R57		3.5	296	375	7.2	1.45	GKAF47R37	
0.36	2849	3609	26	1.00	GKA87R57		4.0	257	326	7.3	1.65		
0.42	2452	3106	27	1.15	GKAF87R57		4.5	228	289	7.4	1.85		
0.48	2154	2728	27	1.35			3.8	273	346	4.6	0.80		
0.55	1872	2371	27	1.55			4.3	240	304	5.4	0.90		
0.63	1647	2086	27	1.75			4.9	211	267	5.5	1.00	GK37R17	
0.71	1464	1854	27	1.95			5.6	185	234	5.8	1.15	GKF37R17	
0.79	1309	1658	27	2.20	GK87R57	4P	6.4	162	205	5.9	1.30	GKA37R17	
0.93	1117	1415	27	2.55	GKF87R57		7.2	143	181	6.0	1.50	GKAF37R17	
1.07	970	1229	27	2.95	GKA87R57		8.2	126	160	6.1	1.70		
1.22	851	1078	27	3.35	GKAF87R57		9.6	107	136	6.2	2.00		
1.38	751	951	28	3.80									
1.57	661	837	28	4.35									
1.80	573	726	28	5.00									
0.48	2148	2721	13	0.80	GK77R37	4P	5.9	185	144.79	12	4.40	GK67	
0.55	1874	2374	15	0.90	GKF77R37							GKF67	
					GKA77R37							GKA67	
					GKAF77R37							GKAF67	
0.64	1621	2053	16	1.00			5.9	186	145.15	9.2	3.20		
0.74	1401	1775	17	1.15	GK77R37	4P	6.9	159	123.85	9.3	3.80	GK57	
0.86	1197	1516	17	1.35	GKF77R37		7.8	139	108.29	9.3	4.30	GKF57	
0.94	1097	1390	18	1.50	GKA77R37		8.3	132	102.88	9.3	4.60	GKA57	
1.07	963	1220	18	1.70	GKAF77R37		9.4	116	90.26	9.4	5.20	GKAF57	
1.24	833	1055	18	1.95			11	98	76.56	9.4	6.20		

*0.12kW(6极)电机需特制。*0.12kW motor of 6 poles needs to be specially requested and then manufactured.

选型参数表
(恒功率)

Selection Table
(Constant Power)

n_a [r/min]	M_a [Nm]	i	F_{ra} [kN]	f_B	机型号 Type size	极数 Pole	n_a [r/min]	M_a [Nm]	i	F_{ra} [kN]	f_B	机型号 Type size	极数 Pole
0.12kW							0.18kW						
9	121	145.15	9.4	5.00			0.28	5529	4669	38	0.85		
11	103	123.85	9.4	5.80	GK57		0.32	4833	4081	38	0.95	GK97R57	
12	90	108.29	9.5	6.70	GKF57	4P	0.37	4243	3583	38	1.10	GKF97R57	4P
13	86	102.88	9.5	7.00	GKA57		0.42	3681	3108	38	1.25	GKA97R57	
15	75	90.26	9.5	8.00	GKAF57		0.48	3264	2756	38	1.40	GKAF97R57	
6.4	169	131.87	7.5	2.40	GK47		0.54	2865	2419	38	1.60		
7.0	156	121.48	7.6	2.60	GKF47	6P*	0.62	2514	2123	38	1.80		
8.1	134	104.37	7.7	3.00	GKA47		0.71	2198	1856	38	2.10		
					GKAF47		0.81	1924	1625	38	2.35		
9.9	110	131.87	7.7	3.70	GK47		0.92	1694	1430	38	2.70	GK97R57	4P
					GKF47	4P	1.04	1493	1261	38	3.05	GKF97R57	
11	101	121.48	7.8	4.00	GKA47		1.19	1305	1102	38	3.50	GKA97R57	
					GKAF47		1.37	1133	957	38	4.05	GKAF97R57	
8.0	136	106.38	5.9	1.50	GK37		1.53	1013	855	38	4.50		
8.7	125	97.81	6.0	1.60	GKF37	6P*	1.76	880	743	38	5.20		
10	107	83.69	6.1	1.90	GKA37		2.01	771	651	38	5.90		
12	93	72.54	6.2	2.20	GKAF37							GK87R57	
12	88	106.38	6.2	2.30			0.42	3678	3106	25	0.80	GKF87R57	4P
13	81	97.81	6.2	2.50			0.48	3231	2728	26	0.90	GKA87R57	
16	70	83.69	6.2	2.90			0.55	2808	2371	26	1.00	GKAF87R57	
18	60	72.54	6.3	3.30			0.63	2470	2086	26	1.15		
19	56	67.80	6.3	3.50			0.71	2196	1854	27	1.30		
22	49	58.61	6.1	4.10			0.79	1964	1658	27	1.45		
26	41	49.79	5.8	4.80			0.93	1676	1415	27	1.70	GK87R57	4P
29	37	44.46	5.6	5.40			1.1	1455	1229	27	1.95	GKF87R57	
35	32	37.97	5.4	6.30	GK37	4P	1.2	1277	1078	27	2.25	GKA87R57	
37	30	35.57	5.3	6.80	GKF37		1.4	1126	951	27	2.55	GKAF87R57	
44	25	29.96	5.0	8.00	GKA37		1.6	991	837	27	2.90		
45	24	28.83	4.9	8.40	GKAF37		1.8	860	726	27	3.35		
53	21	24.88	4.7	9.60			0.86	1795	1516	14	0.90		
56	19	23.36	4.6	10			0.94	1646	1390	15	1.00		
65	17	20.19	4.4	11			1.1	1445	1220	16	1.15		
76	14	17.15	4.2	13			1.2	1248	1054	17	1.30		
86	13	15.32	4.1	14			1.4	1095	925	17	1.50	GK77R37	
100	11	13.08	3.9	15			1.6	968	817	18	1.70	GKF77R37	4P
108	10	12.14	3.8	16			1.8	841	710	18	1.95	GKA77R37	
							2.1	738	623	18	2.25	GKAF77R37	
0.18kW							2.4	655	553	19	2.50		
0.09	17578	14843	70	0.80			2.7	574	485	19	2.85		
0.11	14603	12331	75	0.95			3.1	507	428	19	3.25		
0.12	12813	10819	76	1.10			3.6	436	368	19	3.75		
0.13	11607	9801	76	1.20			1.5	1069	903	5.4	0.80		
0.16	9908	8366	77	1.40	GK127R77	4P	1.7	939	793	9.1	0.95		
0.18	8680	7329	77	1.60	GKF127R77		1.9	825	697	10	1.05		
0.20	7615	6430	78	1.80	GKA127R77		2.1	726	613	11	1.20	GK67R37	4P
0.23	6860	5793	78	2.00	GKAF127R77		2.4	642	542	11	1.35	GKF67R37	
0.27	5831	4924	78	2.35			2.8	558	471	12	1.55	GKA67R37	
0.30	5130	4332	78	2.70			3.1	497	420	12	1.75	GKAF67R37	
0.34	4564	3854	78	3.00			3.6	428	361	12	2.05		
0.40	3887	3282	78	3.55			4.1	383	323	12	2.25		
0.16	9863	8328	62	0.85			4.7	330	279	12	2.65		
0.18	8608	7269	62	1.00			2.1	728	615	5.3	0.90		
0.21	7324	6184	62	1.15			2.4	644	544	7.4	1.00	GK57R37	4P
0.23	6705	5662	62	1.25	GK107R77		2.8	560	473	7.9	1.15	GKF57R37	
0.25	6085	5138	62	1.40	GKF107R77		3.1	499	421	8.2	1.30	GKA57R37	
0.30	5163	4360	62	1.65	GKA107R77	4P	3.6	429	362	8.5	1.50	GKAF57R37	
0.34	4513	3811	62	1.90	GKAF107R77		4.1	378	319	8.6	1.70		
0.39	3977	3358	62	2.15			4.7	332	280	8.8	1.90		
0.44	3526	2977	62	2.40									
0.50	3077	2598	62	2.75									
0.57	2707	2286	62	3.15									

*0.12kW(6极)电机需特制。*0.12kW motor of 6 poles needs to be specially requested and then manufactured.

选型参数表
(恒功率)

Selection Table
(Constant Power)

n_a [r/min]	Ma [Nm]	i	F_{ra} [kN]	f_B	机型号 Type size	极数 Pole	n_a [r/min]	Ma [Nm]	i	F_{ra} [kN]	f_B	机型号 Type size	极数 Pole																																																																																																																																																																																																																																																																																																																																																																																																																																																																																																																																																																									
0.18kW							0.18kW																																																																																																																																																																																																																																																																																																																																																																																																																																																																																																																																																																															
5.3	291	246	8.9	2.20	GK57R37	4P	44	37	29.96	5.0	5.10	GK37 GKF37 GKA37 GKAF37	4P																																																																																																																																																																																																																																																																																																																																																																																																																																																																																																																																																																									
6.1	255	215	9.1	2.50	GKF57R37		6.8	227	192	9.1	2.80			GKA57R37	7.9	197	166	9.2	3.25	GKAF57R37	3.5	444	375	5.6	0.95	GK47R37 GKF47R37 GKA47R37 GKAF47R37	4P	65	25	20.19	4.4	7.00	4.0	386	326	6.1	1.10	4.5	342	289	6.6	1.25	5.1	303	256	6.9	1.40	5.8	266	225	7.1	1.60	6.6	234	198	7.3	1.80	7.7	203	171	7.5	2.10	8.6	181	153	7.6	2.35	10	155	131	7.6	2.75	6.4	243	205	5.0	0.85	GK37R17 GKF37R17 GKA37R17 GKAF37R17	4P	0.14	16121	9801	72	0.85	7.2	214	181	5.4	1.00	8.2	189	160	5.6	1.10	9.6	161	136	5.8	1.30	10	150	127	5.9	1.40	9.0	171	144.79	12	2.90	GK67 GKF67 GKA67 GKAF67	6P	0.16	13761	8366	75	1.00	11	146	123.54	12	3.40	12	128	108.02	12	3.80	13	122	102.62	12	4.00	9.0	180	144.79	12	4.30	GK67 GKF67 GKA67 GKAF67	4P	0.18	12055	7329	76	1.15	11	154	123.54	12	5.10	12	135	108.02	12	5.80	5.9	279	145.15	8.9	2.10	6.9	238	123.85	9.0	2.50	GK57 GKF57 GKA57 GKAF57	6P	0.21	10576	6430	77	1.30	7.8	208	108.29	9.1	2.80	8.3	198	102.88	9.1	3.00	9.4	173	90.26	9.2	3.40	9.0	181	145.15	9.2	3.20	GK57 GKF57 GKA57 GKAF57	4P	0.23	9528	5793	77	1.45	11	154	123.85	9.3	3.70	12	135	108.29	9.3	4.30	13	128	102.88	9.3	4.50	15	113	90.26	9.4	5.10	17	95	76.56	9.4	6.00	6.4	253	131.87	7.0	1.55	GK47 GKF47 GKA47 GKAF47	6P	0.27	8099	4924	78	1.70	7.0	233	121.48	7.2	1.65	8.1	201	104.37	7.4	1.95	9.4	175	90.86	7.5	2.20	10	164	85.12	7.5	2.40	10	164	85.12	7.5	2.40	GK47 GKF47 GKA47 GKAF47	4P	0.31	7125	4332	78	1.95	11	151	121.48	7.6	2.50	13	130	104.37	7.7	2.90	14	113	90.86	7.7	3.40	15	106	85.12	7.7	3.60	8.0	204	106.38	5.2	0.95	GK37 GKF37 GKA37 GKAF37	6P	0.35	6339	3854	78	2.20	8.7	188	97.81	5.4	1.05	10	161	83.69	5.7	1.20	12	139	72.54	5.9	1.40	12	133	106.38	5.9	1.45	GK37 GKF37 GKA37 GKAF37	4P	0.41	5398	3282	78	2.55	13	122	97.81	6.0	1.55	16	104	83.69	6.1	1.85	18	90	72.54	6.1	2.10	19	85	67.80	6.2	2.30	22	73	58.61	6.0	2.60	26	62	49.79	5.7	3.10	29	55	44.46	5.5	3.50	35	47	37.97	5.3	4.10	37	44	35.57	5.2	4.30	0.22	10019	6184	62	0.85	0.23	9173	5662	62	0.90	0.26	8324	5138	62	1.00	0.31	7064	4360	62	1.20	0.35	6174	3811	62	1.35	0.40	5440	3358	62	1.55	0.45	4823	2977	62	1.75	0.51	4209	2598	62	2.00	0.58	3704	2286	62	2.25	0.69	3141	1939	62	2.65	0.78	2775	1713	62	3.00	0.86	2519	1555	62	3.30	1.0	2164	1336	62	3.85	0.42	5152	3180	38	0.85	0.48	4465	2756	38	1.00	0.55	3919	2419	38	1.15	0.63	3439	2123	38	1.30	0.72	3007	1856	38	1.50	0.82	2633	1625	38	1.70	0.93	2317	1430	38	1.95	1.1	2043	1261	38	2.20	1.2	1785	1102	38	2.50	1.4	1550	957	38	2.90	1.6	1385	855	38	3.25	0.64	3380	2086	25	0.85	0.72	3004	1854	26	0.95	0.80	2686	1658	26	1.05	0.94	2292	1415	26	1.25	1.1	1991	1229	27	1.40	1.2	1746	1078	27	1.60	1.4	1541	951	27	1.85	1.6	1356	837	27	2.10	1.8	1176	726	27	2.40	2.1	1034	638	27	2.75																										
6.8	227	192	9.1	2.80	GKA57R37		7.9	197	166	9.2	3.25			GKAF57R37	3.5	444	375	5.6	0.95	GK47R37 GKF47R37 GKA47R37 GKAF47R37	4P	65	25	20.19	4.4			7.00	4.0	386	326	6.1	1.10	4.5	342	289	6.6	1.25	5.1	303	256	6.9	1.40	5.8	266	225	7.1	1.60	6.6	234	198	7.3	1.80	7.7	203	171	7.5	2.10	8.6	181	153	7.6	2.35	10	155	131	7.6	2.75	6.4	243	205	5.0	0.85	GK37R17 GKF37R17 GKA37R17 GKAF37R17	4P	0.14	16121			9801	72	0.85	7.2	214	181	5.4	1.00	8.2	189	160	5.6	1.10	9.6	161	136	5.8	1.30	10	150	127	5.9	1.40	9.0	171	144.79	12	2.90	GK67 GKF67 GKA67 GKAF67	6P			0.16	13761	8366	75	1.00	11	146	123.54	12	3.40	12	128	108.02	12	3.80	13	122	102.62	12	4.00	9.0	180	144.79	12	4.30			GK67 GKF67 GKA67 GKAF67	4P	0.18	12055	7329	76	1.15	11	154	123.54	12	5.10	12	135	108.02	12	5.80	5.9	279	145.15	8.9	2.10	6.9	238	123.85			9.0	2.50	GK57 GKF57 GKA57 GKAF57	6P	0.21	10576	6430	77	1.30	7.8	208	108.29	9.1	2.80	8.3	198	102.88	9.1	3.00	9.4	173	90.26	9.2	3.40	9.0			181	145.15	9.2	3.20	GK57 GKF57 GKA57 GKAF57	4P	0.23	9528	5793	77	1.45	11	154	123.85	9.3	3.70	12	135	108.29	9.3	4.30	13	128	102.88	9.3	4.50	15	113	90.26	9.4	5.10	17	95	76.56	9.4			6.00	6.4	253	131.87	7.0	1.55	GK47 GKF47 GKA47 GKAF47	6P	0.27	8099	4924	78	1.70	7.0	233	121.48	7.2	1.65	8.1	201	104.37	7.4	1.95	9.4	175	90.86	7.5	2.20	10	164			85.12	7.5	2.40	10	164	85.12	7.5	2.40	GK47 GKF47 GKA47 GKAF47	4P	0.31	7125	4332	78	1.95	11	151	121.48	7.6	2.50	13	130	104.37	7.7	2.90	14	113	90.86	7.7	3.40			15	106	85.12	7.7	3.60	8.0	204	106.38	5.2	0.95	GK37 GKF37 GKA37 GKAF37	6P	0.35	6339	3854	78	2.20	8.7	188	97.81	5.4	1.05	10	161	83.69			5.7	1.20	12	139	72.54	5.9	1.40	12	133	106.38	5.9	1.45	GK37 GKF37 GKA37 GKAF37	4P	0.41	5398	3282	78	2.55	13	122	97.81	6.0	1.55	16	104	83.69	6.1	1.85	18	90	72.54	6.1	2.10	19	85	67.80	6.2	2.30	22	73	58.61	6.0	2.60	26	62	49.79	5.7	3.10	29	55	44.46	5.5	3.50	35	47	37.97	5.3	4.10	37	44	35.57	5.2	4.30	0.22	10019	6184	62	0.85	0.23	9173	5662	62	0.90	0.26	8324	5138	62	1.00	0.31	7064	4360	62	1.20	0.35	6174	3811	62	1.35	0.40	5440	3358	62	1.55	0.45	4823	2977	62	1.75	0.51	4209	2598	62	2.00	0.58	3704	2286	62	2.25	0.69	3141	1939	62	2.65	0.78	2775	1713	62	3.00	0.86	2519	1555	62	3.30	1.0	2164	1336	62	3.85	0.42	5152	3180	38	0.85	0.48	4465	2756	38	1.00	0.55	3919	2419	38	1.15	0.63	3439	2123	38	1.30	0.72	3007	1856	38	1.50	0.82	2633	1625	38	1.70	0.93	2317	1430	38	1.95	1.1	2043	1261	38	2.20	1.2	1785	1102	38	2.50	1.4	1550	957	38	2.90	1.6	1385	855	38	3.25	0.64	3380	2086	25	0.85	0.72	3004	1854	26	0.95	0.80	2686	1658	26	1.05	0.94	2292	1415	26	1.25	1.1	1991	1229	27	1.40	1.2	1746	1078	27	1.60	1.4	1541	951	27	1.85	1.6	1356	837	27	2.10	1.8	1176	726	27	2.40	2.1	1034	638	27	2.75												
7.9	197	166	9.2	3.25	GKAF57R37		3.5	444	375	5.6	0.95			GK47R37 GKF47R37 GKA47R37 GKAF47R37	4P	65	25	20.19	4.4			7.00	4.0	386	326			6.1	1.10	4.5	342	289	6.6	1.25	5.1	303	256	6.9	1.40	5.8	266	225	7.1	1.60	6.6	234	198	7.3	1.80	7.7	203	171	7.5	2.10	8.6	181	153	7.6	2.35	10	155	131	7.6	2.75	6.4	243	205	5.0	0.85	GK37R17 GKF37R17 GKA37R17 GKAF37R17	4P	0.14	16121			9801	72			0.85	7.2	214	181	5.4	1.00	8.2	189	160	5.6	1.10	9.6	161	136	5.8	1.30	10	150	127	5.9	1.40	9.0	171	144.79	12	2.90	GK67 GKF67 GKA67 GKAF67	6P					0.16	13761	8366	75	1.00	11	146	123.54	12	3.40	12	128	108.02	12	3.80	13	122	102.62	12	4.00	9.0	180	144.79	12	4.30					GK67 GKF67 GKA67 GKAF67	4P	0.18	12055	7329	76	1.15	11	154	123.54	12	5.10	12	135	108.02	12	5.80	5.9	279	145.15	8.9	2.10	6.9			238	123.85			9.0	2.50	GK57 GKF57 GKA57 GKAF57	6P	0.21	10576	6430	77	1.30	7.8	208	108.29	9.1	2.80	8.3	198	102.88	9.1	3.00	9.4	173			90.26	9.2	3.40	9.0			181	145.15	9.2	3.20	GK57 GKF57 GKA57 GKAF57	4P	0.23	9528	5793	77	1.45	11	154	123.85	9.3	3.70	12	135	108.29	9.3	4.30	13	128	102.88	9.3	4.50	15	113	90.26			9.4	5.10	17	95	76.56	9.4			6.00	6.4	253	131.87	7.0	1.55	GK47 GKF47 GKA47 GKAF47	6P	0.27	8099	4924	78	1.70	7.0	233	121.48	7.2	1.65	8.1	201	104.37	7.4			1.95	9.4	175	90.86	7.5	2.20	10	164			85.12	7.5	2.40	10	164	85.12	7.5	2.40	GK47 GKF47 GKA47 GKAF47	4P	0.31	7125	4332	78	1.95	11	151	121.48	7.6	2.50			13	130	104.37	7.7	2.90	14	113	90.86	7.7	3.40			15	106	85.12	7.7	3.60	8.0	204	106.38	5.2	0.95	GK37 GKF37 GKA37 GKAF37	6P	0.35			6339	3854	78	2.20	8.7	188	97.81	5.4	1.05	10	161	83.69			5.7	1.20	12	139	72.54	5.9	1.40	12	133	106.38	5.9	1.45	GK37 GKF37 GKA37 GKAF37	4P	0.41	5398	3282	78	2.55	13	122	97.81	6.0	1.55	16	104	83.69	6.1	1.85	18	90	72.54	6.1	2.10	19	85	67.80	6.2	2.30	22	73	58.61	6.0	2.60	26	62	49.79	5.7	3.10	29	55	44.46	5.5	3.50	35	47	37.97	5.3	4.10	37	44	35.57	5.2	4.30	0.22	10019	6184	62	0.85	0.23	9173	5662	62	0.90	0.26	8324	5138	62	1.00	0.31	7064	4360	62	1.20	0.35	6174	3811	62	1.35	0.40	5440	3358	62	1.55	0.45	4823	2977	62	1.75	0.51	4209	2598	62	2.00	0.58	3704	2286	62	2.25	0.69	3141	1939	62	2.65	0.78	2775	1713	62	3.00	0.86	2519	1555	62	3.30	1.0	2164	1336	62	3.85	0.42	5152	3180	38	0.85	0.48	4465	2756	38	1.00	0.55	3919	2419	38	1.15	0.63	3439	2123	38	1.30	0.72	3007	1856	38	1.50	0.82	2633	1625	38	1.70	0.93	2317	1430	38	1.95	1.1	2043	1261	38	2.20	1.2	1785	1102	38	2.50	1.4	1550	957	38	2.90	1.6	1385	855	38	3.25	0.64	3380	2086	25	0.85	0.72	3004	1854	26	0.95	0.80	2686	1658	26	1.05	0.94	2292	1415	26	1.25	1.1	1991	1229	27	1.40	1.2	1746	1078	27	1.60	1.4	1541	951	27	1.85	1.6	1356	837	27	2.10	1.8	1176	726	27	2.40	2.1	1034	638
3.5	444	375	5.6	0.95	GK47R37 GKF47R37 GKA47R37 GKAF47R37	4P	65	25	20.19	4.4	7.00		4.0			386	326	6.1	1.10			4.5	342	289	6.6			1.25	5.1	303	256	6.9	1.40	5.8	266	225	7.1	1.60	6.6	234	198	7.3	1.80	7.7	203	171	7.5	2.10	8.6	181	153	7.6	2.35	10	155	131	7.6	2.75	6.4	243	205	5.0	0.85	GK37R17 GKF37R17 GKA37R17 GKAF37R17	4P	0.14	16121	9801	72			0.85	7.2			214	181			5.4	1.00	8.2	189	160	5.6	1.10	9.6	161	136	5.8	1.30	10	150	127	5.9	1.40	9.0	171	144.79	12	2.90	GK67 GKF67 GKA67 GKAF67	6P	0.16	13761							8366	75	1.00	11	146	123.54	12	3.40	12	128	108.02	12	3.80	13	122	102.62	12	4.00	9.0	180	144.79	12	4.30	GK67 GKF67 GKA67 GKAF67	4P							0.18	12055	7329	76	1.15	11	154	123.54	12	5.10	12	135	108.02	12	5.80	5.9	279	145.15	8.9	2.10	6.9			238	123.85			9.0	2.50			GK57 GKF57 GKA57 GKAF57	6P	0.21	10576	6430	77	1.30	7.8	208	108.29	9.1	2.80	8.3	198	102.88	9.1	3.00			9.4	173	90.26	9.2			3.40	9.0	181	145.15			9.2	3.20	GK57 GKF57 GKA57 GKAF57	4P	0.23	9528	5793	77	1.45	11	154	123.85	9.3	3.70	12	135	108.29	9.3	4.30	13	128	102.88	9.3			4.50	15	113	90.26	9.4	5.10			17	95	76.56	9.4	6.00	6.4			253	131.87	7.0	1.55	GK47 GKF47 GKA47 GKAF47	6P	0.27	8099	4924	78	1.70	7.0	233	121.48			7.2	1.65	8.1	201	104.37	7.4	1.95	9.4			175	90.86	7.5	2.20	10	164	85.12	7.5			2.40	10	164	85.12	7.5	2.40	GK47 GKF47 GKA47 GKAF47	4P	0.31	7125			4332	78	1.95	11	151	121.48	7.6	2.50	13	130			104.37	7.7	2.90	14	113	90.86	7.7	3.40	15	106			85.12			7.7	3.60	8.0	204	106.38	5.2	0.95	GK37 GKF37 GKA37 GKAF37	6P	0.35	6339	3854			78	2.20	8.7	188	97.81	5.4	1.05	10	161	83.69	5.7	1.20			12	139	72.54	5.9	1.40	12	133	106.38	5.9	1.45	GK37 GKF37 GKA37 GKAF37	4P	0.41	5398	3282	78	2.55	13	122	97.81	6.0	1.55	16	104	83.69	6.1	1.85	18	90	72.54	6.1	2.10	19	85	67.80	6.2	2.30	22	73	58.61	6.0	2.60	26	62	49.79	5.7	3.10	29	55	44.46	5.5	3.50	35	47	37.97	5.3	4.10	37	44	35.57	5.2	4.30	0.22	10019	6184	62	0.85	0.23	9173	5662	62	0.90	0.26	8324	5138	62	1.00	0.31	7064	4360	62	1.20	0.35	6174	3811	62	1.35	0.40	5440	3358	62	1.55	0.45	4823	2977	62	1.75	0.51	4209	2598	62	2.00	0.58	3704	2286	62	2.25	0.69	3141	1939	62	2.65	0.78	2775	1713	62	3.00	0.86	2519	1555	62	3.30	1.0	2164	1336	62	3.85	0.42	5152	3180	38	0.85	0.48	4465	2756	38	1.00	0.55	3919	2419	38	1.15	0.63	3439	2123	38	1.30	0.72	3007	1856	38	1.50	0.82	2633	1625	38	1.70	0.93	2317	1430	38	1.95	1.1	2043	1261	38	2.20	1.2	1785	1102	38	2.50	1.4	1550	957	38	2.90	1.6	1385	855	38	3.25	0.64	3380	2086	25	0.85	0.72	3004	1854	26	0.95	0.80	2686	1658	26	1.05	0.94	2292	1415	26	1.25	1.1	1991	1229	27	1.40	1.2	1746	1078	27	1.60	1.4	1541	951	27	1.85	1.6
4.0	386	326	6.1	1.10			4.5	342	289	6.6	1.25		5.1			303	256	6.9	1.40			5.8	266	225	7.1			1.60	6.6	234	198	7.3	1.80	7.7	203	171	7.5	2.10	8.6	181	153	7.6	2.35	10	155	131	7.6	2.75	6.4	243	205	5.0	0.85	GK37R17 GKF37R17 GKA37R17 GKAF37R17	4P	0.14	16121	9801	72	0.85	7.2	214	181			5.4	1.00	8.2	189			160	5.6			1.10	9.6	161	136	5.8	1.30	10	150	127	5.9	1.40	9.0	171	144.79	12	2.90	GK67 GKF67 GKA67 GKAF67	6P	0.16	13761	8366	75	1.00	11	146	123.54			12	3.40					12	128	108.02	12	3.80	13	122	102.62	12	4.00	9.0	180	144.79	12	4.30	GK67 GKF67 GKA67 GKAF67	4P	0.18	12055	7329	76	1.15	11	154	123.54			12	5.10					12	135	108.02	12	5.80	5.9	279	145.15	8.9	2.10	6.9	238	123.85	9.0	2.50	GK57 GKF57 GKA57 GKAF57	6P	0.21	10576	6430	77	1.30	7.8	208	108.29			9.1	2.80					8.3	198	102.88	9.1	3.00	9.4	173	90.26	9.2	3.40	9.0	181	145.15	9.2	3.20	GK57 GKF57 GKA57 GKAF57	4P	0.23	9528	5793	77			1.45	11	154	123.85			9.3	3.70			12	135	108.29	9.3	4.30	13	128	102.88	9.3	4.50	15	113	90.26	9.4	5.10	17	95	76.56	9.4	6.00	6.4	253	131.87	7.0	1.55	GK47 GKF47 GKA47 GKAF47	6P			0.27	8099	4924	78	1.70	7.0			233	121.48	7.2	1.65			8.1	201	104.37	7.4	1.95	9.4	175	90.86	7.5	2.20	10	164	85.12	7.5	2.40	10	164	85.12			7.5	2.40	GK47 GKF47 GKA47 GKAF47	4P	0.31	7125	4332	78			1.95	11	151	121.48	7.6	2.50			13	130	104.37	7.7	2.90	14	113	90.86	7.7	3.40	15	106	85.12	7.7			3.60	8.0	204	106.38	5.2	0.95	GK37 GKF37 GKA37 GKAF37	6P	0.35	6339			3854			78	2.20	8.7	188	97.81	5.4	1.05			10	161	83.69			5.7	1.20	12	139	72.54	5.9	1.40	12	133	106.38	5.9	1.45			GK37 GKF37 GKA37 GKAF37	4P	0.41	5398	3282	78	2.55	13	122	97.81			6.0	1.55	16	104	83.69	6.1	1.85	18	90	72.54	6.1	2.10	19	85	67.80	6.2	2.30	22	73	58.61	6.0	2.60	26	62	49.79	5.7	3.10	29	55	44.46	5.5	3.50	35	47	37.97	5.3	4.10	37	44	35.57	5.2	4.30	0.22	10019	6184	62	0.85	0.23	9173	5662	62	0.90	0.26	8324	5138	62	1.00	0.31	7064	4360	62	1.20	0.35	6174	3811	62	1.35	0.40	5440	3358	62	1.55	0.45	4823	2977	62	1.75	0.51	4209	2598	62	2.00	0.58	3704	2286	62	2.25	0.69	3141	1939	62	2.65	0.78	2775	1713	62	3.00	0.86	2519	1555	62	3.30	1.0	2164	1336	62	3.85	0.42	5152	3180	38	0.85	0.48	4465	2756	38	1.00	0.55	3919	2419	38	1.15	0.63	3439	2123	38	1.30	0.72	3007	1856	38	1.50	0.82	2633	1625	38	1.70	0.93	2317	1430	38	1.95	1.1	2043	1261	38	2.20	1.2	1785	1102	38	2.50	1.4	1550	957	38	2.90	1.6	1385	855	38	3.25	0.64	3380	2086	25	0.85	0.72	3004	1854	26	0.95	0.80	2686	1658	26	1.05	0.94	2292	1415	26	1.25	1.1	1991	1229	27	1.40	1.2	1746	1078	27	1.60	1.4	1541	951	27	1.85	1.6	1356	837	27	2.10	1.8	1176	726	27
4.5	342	289	6.6	1.25			5.1	303	256	6.9	1.40		5.8			266	225	7.1	1.60			6.6	234	198	7.3			1.80	7.7	203	171	7.5	2.10	8.6	181	153	7.6	2.35	10	155	131	7.6	2.75	6.4	243	205	5.0	0.85	GK37R17 GKF37R17 GKA37R17 GKAF37R17	4P	0.14	16121	9801			72	0.85	7.2	214	181	5.4	1.00	8.2			189	160	5.6	1.10			9.6	161	136	5.8	1.30	10	150	127	5.9	1.40	9.0	171	144.79	12	2.90	GK67 GKF67 GKA67 GKAF67	6P	0.16	13761	8366			75	1.00	11	146	123.54	12	3.40	12			128	108.02			12	3.80	13	122	102.62	12	4.00	9.0	180	144.79	12	4.30	GK67 GKF67 GKA67 GKAF67	4P	0.18	12055	7329			76	1.15	11	154	123.54	12	5.10	12			135	108.02	12	5.80			5.9	279	145.15	8.9	2.10	6.9	238	123.85	9.0	2.50	GK57 GKF57 GKA57 GKAF57	6P	0.21	10576	6430			77	1.30	7.8	208	108.29	9.1	2.80	8.3	198	102.88	9.1	3.00					9.4	173	90.26	9.2	3.40	9.0	181	145.15	9.2	3.20	GK57 GKF57 GKA57 GKAF57	4P	0.23	9528	5793			77	1.45	11	154	123.85	9.3	3.70	12	135	108.29			9.3	4.30			13	128	102.88	9.3	4.50	15	113	90.26	9.4	5.10	17	95	76.56	9.4	6.00	6.4	253	131.87	7.0	1.55	GK47 GKF47 GKA47 GKAF47	6P	0.27	8099	4924			78	1.70	7.0	233	121.48	7.2	1.65	8.1			201	104.37	7.4	1.95			9.4	175	90.86	7.5	2.20	10	164	85.12	7.5	2.40	10	164	85.12	7.5	2.40	GK47 GKF47 GKA47 GKAF47	4P	0.31	7125	4332	78	1.95			11	151	121.48	7.6			2.50	13	130	104.37	7.7	2.90			14	113	90.86	7.7	3.40	15	106	85.12	7.7	3.60	8.0	204	106.38	5.2	0.95	GK37 GKF37 GKA37 GKAF37	6P	0.35	6339	3854	78	2.20			8.7	188			97.81			5.4	1.05	10	161	83.69	5.7	1.20			12	139	72.54			5.9	1.40	12	133	106.38	5.9	1.45	GK37 GKF37 GKA37 GKAF37	4P	0.41	5398	3282					78	2.55	13	122	97.81	6.0	1.55	16			104	83.69	6.1	1.85	18	90	72.54	6.1	2.10	19	85	67.80	6.2	2.30	22	73	58.61	6.0	2.60	26	62	49.79	5.7	3.10	29	55	44.46	5.5	3.50	35	47	37.97	5.3	4.10	37	44	35.57	5.2	4.30	0.22	10019	6184	62	0.85	0.23	9173	5662	62	0.90	0.26	8324	5138	62	1.00	0.31	7064	4360	62	1.20	0.35	6174	3811	62	1.35	0.40	5440	3358	62	1.55	0.45	4823	2977	62	1.75	0.51	4209	2598	62	2.00	0.58	3704	2286	62	2.25	0.69	3141	1939	62	2.65	0.78	2775	1713	62	3.00	0.86	2519	1555	62	3.30	1.0	2164	1336	62	3.85	0.42	5152	3180	38	0.85	0.48	4465	2756	38	1.00	0.55	3919	2419	38	1.15	0.63	3439	2123	38	1.30	0.72	3007	1856	38	1.50	0.82	2633	1625	38	1.70	0.93	2317	1430	38	1.95	1.1	2043	1261	38	2.20	1.2	1785	1102	38	2.50	1.4	1550	957	38	2.90	1.6	1385	855	38	3.25	0.64	3380	2086	25	0.85	0.72	3004	1854	26	0.95	0.80	2686	1658	26	1.05	0.94	2292	1415	26	1.25	1.1	1991	1229	27	1.40	1.2	1746	1078	27	1.60	1.4	1541	951	27	1.85	1.6	1356	837	27	2.10	1.8	1176	726	27	2.40	2.1	1034
5.1	303	256	6.9	1.40			5.8	266	225	7.1	1.60		6.6			234	198	7.3	1.80			7.7	203	171	7.5			2.10	8.6	181	153	7.6	2.35	10	155	131	7.6	2.75	6.4	243	205	5.0	0.85	GK37R17 GKF37R17 GKA37R17 GKAF37R17	4P	0.14	16121	9801			72	0.85	7.2			214	181	5.4	1.00	8.2	189	160	5.6			1.10	9.6	161	136	5.8	1.30	10	150	127	5.9	1.40	9.0	171	144.79	12	2.90	GK67 GKF67 GKA67 GKAF67	6P	0.16	13761	8366			75	1.00	11			146	123.54	12	3.40	12	128	108.02	12			3.80	13	122	102.62	12	4.00	9.0	180	144.79	12	4.30	GK67 GKF67 GKA67 GKAF67	4P	0.18	12055	7329			76	1.15	11			154	123.54	12	5.10	12	135	108.02	12			5.80	5.9	279	145.15	8.9	2.10	6.9	238	123.85	9.0	2.50	GK57 GKF57 GKA57 GKAF57	6P	0.21	10576	6430			77	1.30	7.8			208	108.29	9.1	2.80	8.3	198	102.88	9.1	3.00	9.4	173	90.26	9.2	3.40			9.0	181	145.15	9.2	3.20	GK57 GKF57 GKA57 GKAF57	4P	0.23	9528	5793			77	1.45	11			154	123.85	9.3	3.70	12	135	108.29	9.3	4.30	13	128	102.88	9.3	4.50			15	113	90.26	9.4	5.10	17	95	76.56	9.4	6.00	6.4	253	131.87	7.0	1.55	GK47 GKF47 GKA47 GKAF47	6P	0.27	8099	4924			78	1.70	7.0			233	121.48	7.2	1.65	8.1	201	104.37	7.4	1.95	9.4	175	90.86	7.5	2.20			10	164	85.12	7.5	2.40	10	164	85.12	7.5	2.40	GK47 GKF47 GKA47 GKAF47	4P	0.31	7125	4332			78	1.95	11	151	121.48			7.6	2.50	13	130	104.37	7.7	2.90	14	113	90.86	7.7	3.40			15	106	85.12	7.7	3.60	8.0	204	106.38	5.2	0.95	GK37 GKF37 GKA37 GKAF37	6P	0.35	6339	3854			78	2.20	8.7	188	97.81			5.4	1.05	10	161	83.69			5.7	1.20	12	139	72.54	5.9	1.40			12	133	106.38			5.9	1.45	GK37 GKF37 GKA37 GKAF37	4P	0.41	5398	3282			78	2.55	13					122	97.81	6.0	1.55	16	104	83.69	6.1			1.85	18	90	72.54	6.1	2.10	19	85	67.80	6.2	2.30	22	73	58.61	6.0	2.60	26	62	49.79	5.7	3.10	29	55	44.46	5.5	3.50	35	47	37.97	5.3	4.10	37	44	35.57	5.2	4.30	0.22	10019	6184	62	0.85	0.23	9173	5662	62	0.90	0.26	8324	5138	62	1.00	0.31	7064	4360	62	1.20	0.35	6174	3811	62	1.35	0.40	5440	3358	62	1.55	0.45	4823	2977	62	1.75	0.51	4209	2598	62	2.00	0.58	3704	2286	62	2.25	0.69	3141	1939	62	2.65	0.78	2775	1713	62	3.00	0.86	2519	1555	62	3.30	1.0	2164	1336	62	3.85	0.42	5152	3180	38	0.85	0.48	4465	2756	38	1.00	0.55	3919	2419	38	1.15	0.63	3439	2123	38	1.30	0.72	3007	1856	38	1.50	0.82	2633	1625	38	1.70	0.93	2317	1430	38	1.95	1.1	2043	1261	38	2.20	1.2	1785	1102	38	2.50	1.4	1550	957	38	2.90	1.6	1385	855	38	3.25	0.64	3380	2086	25	0.85	0.72	3004	1854	26	0.95	0.80	2686	1658	26	1.05	0.94	2292	1415	26	1.25	1.1	1991	1229	27	1.40	1.2	1746	1078	27	1.60	1.4	1541	951	27	1.85	1.6	1356	837	27	2.10	1.8	1176	726	27	2.40	2.1	1034	638	27	2.75
5.8	266	225	7.1	1.60			6.6	234	198	7.3	1.80		7.7			203	171	7.5	2.10			8.6	181	153	7.6			2.35	10	155	131	7.6	2.75	6.4	243	205	5.0	0.85	GK37R17 GKF37R17 GKA37R17 GKAF37R17	4P	0.14	16121	9801			72	0.85	7.2			214	181	5.4			1.00	8.2	189	160	5.6	1.10	9.6	161	136	5.8	1.30	10	150	127	5.9	1.40	9.0	171	144.79	12	2.90	GK67 GKF67 GKA67 GKAF67	6P	0.16	13761	8366			75	1.00	11			146	123.54	12			3.40	12	128	108.02	12	3.80	13	122	102.62	12	4.00	9.0	180	144.79	12	4.30	GK67 GKF67 GKA67 GKAF67	4P	0.18	12055	7329			76	1.15	11			154	123.54	12			5.10	12	135	108.02	12	5.80	5.9	279	145.15	8.9	2.10	6.9	238	123.85	9.0	2.50	GK57 GKF57 GKA57 GKAF57	6P	0.21	10576	6430			77	1.30	7.8			208	108.29	9.1			2.80	8.3	198	102.88	9.1	3.00	9.4	173	90.26	9.2	3.40	9.0	181	145.15	9.2	3.20	GK57 GKF57 GKA57 GKAF57	4P	0.23	9528	5793			77	1.45	11			154	123.85	9.3			3.70	12	135	108.29	9.3	4.30	13	128	102.88	9.3	4.50	15	113	90.26	9.4	5.10	17	95	76.56	9.4	6.00	6.4	253	131.87	7.0	1.55	GK47 GKF47 GKA47 GKAF47	6P	0.27	8099	4924			78	1.70	7.0			233	121.48	7.2			1.65	8.1	201	104.37	7.4	1.95	9.4	175	90.86	7.5	2.20	10	164	85.12	7.5	2.40	10	164	85.12	7.5	2.40	GK47 GKF47 GKA47 GKAF47	4P	0.31	7125	4332			78	1.95	11			151	121.48	7.6	2.50	13			130	104.37	7.7	2.90	14	113	90.86	7.7	3.40	15	106	85.12	7.7	3.60	8.0	204	106.38	5.2	0.95	GK37 GKF37 GKA37 GKAF37	6P	0.35	6339	3854			78	2.20	8.7			188	97.81	5.4	1.05	10			161	83.69	5.7	1.20	12			139	72.54	5.9	1.40	12	133	106.38	5.9	1.45	GK37 GKF37 GKA37 GKAF37	4P	0.41			5398	3282			78	2.55	13			122	97.81	6.0					1.55	16	104	83.69	6.1	1.85	18	90			72.54	6.1	2.10	19	85	67.80	6.2	2.30	22	73	58.61	6.0	2.60	26	62	49.79	5.7	3.10	29	55	44.46	5.5	3.50	35	47	37.97	5.3	4.10	37	44	35.57	5.2	4.30	0.22	10019	6184	62	0.85	0.23	9173	5662	62	0.90	0.26	8324	5138	62	1.00	0.31	7064	4360	62	1.20	0.35	6174	3811	62	1.35	0.40	5440	3358	62	1.55	0.45	4823	2977	62	1.75	0.51	4209	2598	62	2.00	0.58	3704	2286	62	2.25	0.69	3141	1939	62	2.65	0.78	2775	1713	62	3.00	0.86	2519	1555	62	3.30	1.0	2164	1336	62	3.85	0.42	5152	3180	38	0.85	0.48	4465	2756	38	1.00	0.55	3919	2419	38	1.15	0.63	3439	2123	38	1.30	0.72	3007	1856	38	1.50	0.82	2633	1625	38	1.70	0.93	2317	1430	38	1.95	1.1	2043	1261	38	2.20	1.2	1785	1102	38	2.50	1.4	1550	957	38	2.90	1.6	1385	855	38	3.25	0.64	3380	2086	25	0.85	0.72	3004	1854	26	0.95	0.80	2686	1658	26	1.05	0.94	2292	1415	26	1.25	1.1	1991	1229	27	1.40	1.2	1746	1078	27	1.60	1.4	1541	951	27	1.85	1.6	1356	837	27	2.10	1.8	1176	726	27	2.40	2.1	1034	638	27	2.75			
6.6	234	198	7.3	1.80			7.7	203	171	7.5	2.10		8.6			181	153	7.6	2.35			10	155	131	7.6	2.75	6.4	243	205	5.0	0.85	GK37R17 GKF37R17 GKA37R17 GKAF37R17	4P	0.14	16121	9801	72	0.85			7.2	214	181			5.4	1.00	8.2			189	160	5.6	1.10	9.6	161	136	5.8	1.30	10	150	127	5.9	1.40	9.0	171	144.79	12	2.90	GK67 GKF67 GKA67 GKAF67	6P	0.16	13761	8366	75	1.00			11	146	123.54			12	3.40	12			128	108.02	12	3.80	13	122	102.62	12	4.00	9.0	180	144.79	12	4.30	GK67 GKF67 GKA67 GKAF67	4P	0.18	12055	7329	76	1.15			11	154	123.54			12	5.10	12			135	108.02	12	5.80	5.9	279	145.15	8.9	2.10	6.9	238	123.85	9.0	2.50	GK57 GKF57 GKA57 GKAF57	6P	0.21	10576	6430	77	1.30			7.8	208	108.29			9.1	2.80	8.3			198	102.88	9.1	3.00	9.4	173	90.26	9.2	3.40	9.0	181	145.15	9.2	3.20	GK57 GKF57 GKA57 GKAF57	4P	0.23	9528	5793	77	1.45			11	154	123.85			9.3	3.70	12			135	108.29	9.3	4.30	13	128	102.88	9.3	4.50	15	113	90.26	9.4	5.10	17	95	76.56	9.4	6.00	6.4	253	131.87	7.0	1.55	GK47 GKF47 GKA47 GKAF47	6P	0.27	8099	4924	78	1.70			7.0	233	121.48			7.2	1.65	8.1			201	104.37	7.4	1.95	9.4	175	90.86	7.5	2.20	10	164	85.12	7.5	2.40	10	164	85.12	7.5	2.40	GK47 GKF47 GKA47 GKAF47	4P	0.31	7125	4332	78	1.95			11	151	121.48			7.6	2.50	13			130	104.37	7.7	2.90	14	113	90.86	7.7	3.40	15	106	85.12	7.7	3.60	8.0	204	106.38	5.2	0.95	GK37 GKF37 GKA37 GKAF37	6P	0.35	6339	3854	78	2.20			8.7	188	97.81			5.4	1.05	10			161	83.69	5.7	1.20	12	139	72.54	5.9	1.40	12	133	106.38			5.9	1.45	GK37 GKF37 GKA37 GKAF37	4P	0.41	5398	3282	78	2.55			13			122	97.81			6.0	1.55	16			104	83.69	6.1					1.85	18	90	72.54	6.1	2.10	19	85			67.80	6.2	2.30	22	73	58.61	6.0	2.60	26	62	49.79	5.7	3.10	29	55	44.46	5.5	3.50	35	47	37.97	5.3	4.10	37	44	35.57	5.2	4.30	0.22	10019	6184	62	0.85	0.23	9173	5662	62	0.90	0.26	8324	5138	62	1.00	0.31	7064	4360	62	1.20	0.35	6174	3811	62	1.35	0.40	5440	3358	62	1.55	0.45	4823	2977	62	1.75	0.51	4209	2598	62	2.00	0.58	3704	2286	62	2.25	0.69	3141	1939	62	2.65	0.78	2775	1713	62	3.00	0.86	2519	1555	62	3.30	1.0	2164	1336	62	3.85	0.42	5152	3180	38	0.85	0.48	4465	2756	38	1.00	0.55	3919	2419	38	1.15	0.63	3439	2123	38	1.30	0.72	3007	1856	38	1.50	0.82	2633	1625	38	1.70	0.93	2317	1430	38	1.95	1.1	2043	1261	38	2.20	1.2	1785	1102	38	2.50	1.4	1550	957	38	2.90	1.6	1385	855	38	3.25	0.64	3380	2086	25	0.85	0.72	3004	1854	26	0.95	0.80	2686	1658	26	1.05	0.94	2292	1415	26	1.25	1.1	1991	1229	27	1.40	1.2	1746	1078	27	1.60	1.4	1541	951	27	1.85	1.6	1356	837	27	2.10	1.8	1176	726	27	2.40	2.1	1034	638	27	2.75								
7.7	203	171	7.5	2.10			8.6	181	153	7.6	2.35		10			155	131	7.6	2.75	6.4	243	205	5.0	0.85	GK37R17 GKF37R17 GKA37R17 GKAF37R17	4P	0.14	16121	9801	72	0.85			7.2	214	181	5.4	1.00			8.2	189	160			5.6	1.10	9.6	161	136	5.8	1.30	10	150	127	5.9	1.40	9.0	171	144.79	12	2.90	GK67 GKF67 GKA67 GKAF67	6P	0.16	13761	8366	75	1.00			11	146	123.54	12	3.40			12	128	108.02			12	3.80	13	122	102.62	12	4.00	9.0	180	144.79	12	4.30	GK67 GKF67 GKA67 GKAF67	4P	0.18	12055	7329	76	1.15			11	154	123.54	12	5.10			12	135	108.02			12	5.80	5.9	279	145.15	8.9	2.10	6.9	238	123.85	9.0	2.50	GK57 GKF57 GKA57 GKAF57	6P	0.21	10576	6430	77	1.30			7.8	208	108.29	9.1	2.80			8.3	198	102.88			9.1	3.00	9.4	173	90.26	9.2	3.40	9.0	181	145.15	9.2	3.20	GK57 GKF57 GKA57 GKAF57	4P	0.23	9528	5793	77	1.45			11	154	123.85	9.3	3.70			12	135	108.29			9.3	4.30	13	128	102.88	9.3	4.50	15	113	90.26	9.4	5.10	17	95	76.56	9.4	6.00	6.4	253	131.87	7.0	1.55	GK47 GKF47 GKA47 GKAF47	6P	0.27	8099	4924	78	1.70			7.0	233	121.48	7.2	1.65			8.1	201	104.37			7.4	1.95	9.4	175	90.86	7.5	2.20	10	164	85.12	7.5	2.40	10	164	85.12	7.5	2.40	GK47 GKF47 GKA47 GKAF47	4P	0.31	7125	4332	78	1.95			11	151	121.48	7.6	2.50			13	130	104.37			7.7	2.90	14	113	90.86	7.7	3.40	15	106	85.12	7.7	3.60	8.0	204	106.38	5.2	0.95	GK37 GKF37 GKA37 GKAF37	6P	0.35	6339	3854	78	2.20			8.7	188	97.81	5.4	1.05			10	161	83.69			5.7	1.20	12	139	72.54	5.9	1.40	12	133	106.38	5.9	1.45	GK37 GKF37 GKA37 GKAF37	4P	0.41	5398	3282			78	2.55			13	122	97.81	6.0	1.55			16			104	83.69			6.1	1.85	18			90	72.54	6.1					2.10	19	85	67.80	6.2	2.30	22	73			58.61	6.0	2.60	26	62	49.79	5.7	3.10	29	55	44.46	5.5	3.50	35	47	37.97	5.3	4.10	37	44	35.57	5.2	4.30	0.22	10019	6184	62	0.85	0.23	9173	5662	62	0.90	0.26	8324	5138	62	1.00	0.31	7064	4360	62	1.20	0.35	6174	3811	62	1.35	0.40	5440	3358	62	1.55	0.45	4823	2977	62	1.75	0.51	4209	2598	62	2.00	0.58	3704	2286	62	2.25	0.69	3141	1939	62	2.65	0.78	2775	1713	62	3.00	0.86	2519	1555	62	3.30	1.0	2164	1336	62	3.85	0.42	5152	3180	38	0.85	0.48	4465	2756	38	1.00	0.55	3919	2419	38	1.15	0.63	3439	2123	38	1.30	0.72	3007	1856	38	1.50	0.82	2633	1625	38	1.70	0.93	2317	1430	38	1.95	1.1	2043	1261	38	2.20	1.2	1785	1102	38	2.50	1.4	1550	957	38	2.90	1.6	1385	855	38	3.25	0.64	3380	2086	25	0.85	0.72	3004	1854	26	0.95	0.80	2686	1658	26	1.05	0.94	2292	1415	26	1.25	1.1	1991	1229	27	1.40	1.2	1746	1078	27	1.60	1.4	1541	951	27	1.85	1.6	1356	837	27	2.10	1.8	1176	726	27	2.40	2.1	1034	638	27	2.75													
8.6	181	153	7.6	2.35			10	155	131	7.6	2.75		6.4	243	205	5.0	0.85	GK37R17 GKF37R17 GKA37R17 GKAF37R17	4P	0.14	16121	9801	72	0.85			7.2	214	181	5.4	1.00			8.2	189	160	5.6	1.10			9.6	161	136	5.8	1.30	10	150	127	5.9	1.40	9.0	171	144.79	12	2.90	GK67 GKF67 GKA67 GKAF67	6P	0.16	13761	8366	75	1.00			11	146	123.54	12	3.40			12	128	108.02	12	3.80			13	122	102.62	12	4.00	9.0	180	144.79	12	4.30	GK67 GKF67 GKA67 GKAF67	4P	0.18	12055	7329	76	1.15			11	154	123.54	12	5.10			12	135	108.02	12	5.80			5.9	279	145.15	8.9	2.10	6.9	238	123.85	9.0	2.50	GK57 GKF57 GKA57 GKAF57	6P	0.21	10576	6430	77	1.30			7.8	208	108.29	9.1	2.80			8.3	198	102.88	9.1	3.00			9.4	173	90.26	9.2	3.40	9.0	181	145.15	9.2	3.20	GK57 GKF57 GKA57 GKAF57	4P	0.23	9528	5793	77	1.45			11	154	123.85	9.3	3.70			12	135	108.29	9.3	4.30			13	128	102.88	9.3	4.50	15	113	90.26	9.4	5.10	17	95	76.56	9.4	6.00	6.4	253	131.87	7.0	1.55	GK47 GKF47 GKA47 GKAF47	6P	0.27	8099	4924	78	1.70			7.0	233	121.48	7.2	1.65			8.1	201	104.37	7.4	1.95			9.4	175	90.86	7.5	2.20	10	164	85.12	7.5	2.40	10	164	85.12	7.5	2.40	GK47 GKF47 GKA47 GKAF47	4P	0.31	7125	4332	78	1.95			11	151	121.48	7.6	2.50			13	130	104.37	7.7	2.90			14	113	90.86	7.7	3.40	15	106	85.12	7.7	3.60	8.0	204	106.38	5.2	0.95	GK37 GKF37 GKA37 GKAF37	6P	0.35	6339	3854	78	2.20			8.7	188	97.81	5.4	1.05			10	161	83.69	5.7	1.20			12	139	72.54	5.9	1.40	12	133	106.38	5.9	1.45	GK37 GKF37 GKA37 GKAF37	4P	0.41	5398	3282	78	2.55			13	122	97.81			6.0	1.55			16	104	83.69	6.1	1.85			18			90	72.54			6.1	2.10	19			85	67.80	6.2					2.30	22	73	58.61	6.0	2.60	26	62			49.79	5.7	3.10	29	55	44.46	5.5	3.50	35	47	37.97	5.3	4.10	37	44	35.57	5.2	4.30	0.22	10019	6184	62	0.85	0.23	9173	5662	62	0.90	0.26	8324	5138	62	1.00	0.31	7064	4360	62	1.20	0.35	6174	3811	62	1.35	0.40	5440	3358	62	1.55	0.45	4823	2977	62	1.75	0.51	4209	2598	62	2.00	0.58	3704	2286	62	2.25	0.69	3141	1939	62	2.65	0.78	2775	1713	62	3.00	0.86	2519	1555	62	3.30	1.0	2164	1336	62	3.85	0.42	5152	3180	38	0.85	0.48	4465	2756	38	1.00	0.55	3919	2419	38	1.15	0.63	3439	2123	38	1.30	0.72	3007	1856	38	1.50	0.82	2633	1625	38	1.70	0.93	2317	1430	38	1.95	1.1	2043	1261	38	2.20	1.2	1785	1102	38	2.50	1.4	1550	957	38	2.90	1.6	1385	855	38	3.25	0.64	3380	2086	25	0.85	0.72	3004	1854	26	0.95	0.80	2686	1658	26	1.05	0.94	2292	1415	26	1.25	1.1	1991	1229	27	1.40	1.2	1746	1078	27	1.60	1.4	1541	951	27	1.85	1.6	1356	837	27	2.10	1.8	1176	726	27	2.40	2.1	1034	638	27	2.75																		
10	155	131	7.6	2.75	6.4	243	205	5.0	0.85	GK37R17 GKF37R17 GKA37R17 GKAF37R17	4P		0.14	16121	9801	72	0.85			7.2	214	181	5.4	1.00			8.2	189	160	5.6	1.10			9.6	161	136	5.8	1.30	10	150	127	5.9	1.40	9.0	171	144.79	12	2.90	GK67 GKF67 GKA67 GKAF67	6P	0.16	13761	8366	75	1.00			11	146	123.54	12	3.40			12	128	108.02	12	3.80			13	122	102.62	12	4.00	9.0	180	144.79	12	4.30	GK67 GKF67 GKA67 GKAF67	4P	0.18	12055	7329	76	1.15			11	154	123.54	12	5.10			12	135	108.02	12	5.80			5.9	279	145.15	8.9	2.10	6.9	238	123.85	9.0	2.50	GK57 GKF57 GKA57 GKAF57	6P	0.21	10576	6430	77	1.30			7.8	208	108.29	9.1	2.80			8.3	198	102.88	9.1	3.00			9.4	173	90.26	9.2	3.40	9.0	181	145.15	9.2	3.20	GK57 GKF57 GKA57 GKAF57	4P	0.23	9528	5793	77	1.45			11	154	123.85	9.3	3.70			12	135	108.29	9.3	4.30			13	128	102.88	9.3	4.50	15	113	90.26	9.4	5.10	17	95	76.56	9.4	6.00	6.4	253	131.87	7.0	1.55	GK47 GKF47 GKA47 GKAF47	6P	0.27	8099	4924	78	1.70			7.0	233	121.48	7.2	1.65			8.1	201	104.37	7.4	1.95			9.4	175	90.86	7.5	2.20	10	164	85.12	7.5	2.40	10	164	85.12	7.5	2.40	GK47 GKF47 GKA47 GKAF47	4P	0.31	7125	4332	78	1.95			11	151	121.48	7.6	2.50			13	130	104.37	7.7	2.90			14	113	90.86	7.7	3.40	15	106	85.12	7.7	3.60	8.0	204	106.38	5.2	0.95	GK37 GKF37 GKA37 GKAF37	6P	0.35	6339	3854	78	2.20			8.7	188	97.81	5.4	1.05			10	161	83.69	5.7	1.20			12	139	72.54	5.9	1.40	12	133	106.38	5.9	1.45	GK37 GKF37 GKA37 GKAF37	4P	0.41	5398	3282	78	2.55			13	122	97.81	6.0	1.55			16	104	83.69			6.1	1.85			18	90	72.54	6.1	2.10			19			85	67.80			6.2	2.30	22			73	58.61	6.0					2.60	26	62	49.79	5.7	3.10	29	55			44.46	5.5	3.50	35	47	37.97	5.3	4.10	37	44	35.57	5.2	4.30	0.22	10019	6184	62	0.85	0.23	9173	5662	62	0.90	0.26	8324	5138	62	1.00	0.31	7064	4360	62	1.20	0.35	6174	3811	62	1.35	0.40	5440	3358	62	1.55	0.45	4823	2977	62	1.75	0.51	4209	2598	62	2.00	0.58	3704	2286	62	2.25	0.69	3141	1939	62	2.65	0.78	2775	1713	62	3.00	0.86	2519	1555	62	3.30	1.0	2164	1336	62	3.85	0.42	5152	3180	38	0.85	0.48	4465	2756	38	1.00	0.55	3919	2419	38	1.15	0.63	3439	2123	38	1.30	0.72	3007	1856	38	1.50	0.82	2633	1625	38	1.70	0.93	2317	1430	38	1.95	1.1	2043	1261	38	2.20	1.2	1785	1102	38	2.50	1.4	1550	957	38	2.90	1.6	1385	855	38	3.25	0.64	3380	2086	25	0.85	0.72	3004	1854	26	0.95	0.80	2686	1658	26	1.05	0.94	2292	1415	26	1.25	1.1	1991	1229	27	1.40	1.2	1746	1078	27	1.60	1.4	1541	951	27	1.85	1.6	1356	837	27	2.10	1.8	1176	726	27	2.40	2.1	1034	638	27	2.75																							
6.4	243	205	5.0	0.85	GK37R17 GKF37R17 GKA37R17 GKAF37R17	4P	0.14	16121	9801				72	0.85	7.2	214	181			5.4	1.00	8.2	189	160			5.6	1.10	9.6	161	136	5.8	1.30	10	150	127	5.9	1.40	9.0	171	144.79	12	2.90	GK67 GKF67 GKA67 GKAF67	6P	0.16	13761	8366			75	1.00	11	146	123.54			12	3.40	12	128	108.02			12	3.80	13	122	102.62	12	4.00	9.0	180	144.79	12	4.30	GK67 GKF67 GKA67 GKAF67	4P	0.18	12055	7329			76	1.15	11	154	123.54			12	5.10	12	135	108.02			12	5.80	5.9	279	145.15	8.9	2.10	6.9	238	123.85	9.0	2.50	GK57 GKF57 GKA57 GKAF57	6P	0.21	10576	6430			77	1.30	7.8	208	108.29			9.1	2.80	8.3	198	102.88			9.1	3.00	9.4	173	90.26	9.2	3.40	9.0	181	145.15	9.2	3.20	GK57 GKF57 GKA57 GKAF57	4P	0.23	9528	5793			77	1.45	11	154	123.85			9.3	3.70	12	135	108.29			9.3	4.30	13	128	102.88	9.3	4.50	15	113	90.26	9.4	5.10	17	95	76.56	9.4	6.00	6.4	253	131.87	7.0	1.55	GK47 GKF47 GKA47 GKAF47	6P	0.27	8099	4924			78	1.70	7.0	233	121.48			7.2	1.65	8.1	201	104.37			7.4	1.95	9.4	175	90.86	7.5	2.20	10	164	85.12	7.5	2.40	10	164	85.12	7.5	2.40	GK47 GKF47 GKA47 GKAF47	4P	0.31	7125	4332			78	1.95	11	151	121.48			7.6	2.50	13	130	104.37			7.7	2.90	14	113	90.86	7.7	3.40	15	106	85.12	7.7	3.60	8.0	204	106.38	5.2	0.95	GK37 GKF37 GKA37 GKAF37	6P	0.35	6339	3854			78	2.20	8.7	188	97.81			5.4	1.05	10	161	83.69			5.7	1.20	12	139	72.54	5.9	1.40	12	133	106.38	5.9	1.45	GK37 GKF37 GKA37 GKAF37	4P	0.41	5398	3282			78	2.55	13	122	97.81			6.0	1.55	16	104	83.69			6.1	1.85	18	90	72.54	6.1	2.10			19	85	67.80	6.2	2.30			22			73	58.61			6.0	2.60	26			62	49.79	5.7					3.10	29	55	44.46	5.5	3.50	35	47			37.97	5.3	4.10	37	44	35.57	5.2	4.30	0.22	10019	6184	62	0.85	0.23	9173	5662	62	0.90	0.26	8324	5138	62	1.00	0.31	7064	4360	62	1.20	0.35	6174	3811	62	1.35	0.40	5440	3358	62	1.55	0.45	4823	2977	62	1.75	0.51	4209	2598	62	2.00	0.58	3704	2286	62	2.25	0.69	3141	1939	62	2.65	0.78	2775	1713	62	3.00	0.86	2519	1555	62	3.30	1.0	2164	1336	62	3.85	0.42	5152	3180	38	0.85	0.48	4465	2756	38	1.00	0.55	3919	2419	38	1.15	0.63	3439	2123	38	1.30	0.72	3007	1856	38	1.50	0.82	2633	1625	38	1.70	0.93	2317	1430	38	1.95	1.1	2043	1261	38	2.20	1.2	1785	1102	38	2.50	1.4	1550	957	38	2.90	1.6	1385	855	38	3.25	0.64	3380	2086	25	0.85	0.72	3004	1854	26	0.95	0.80	2686	1658	26	1.05	0.94	2292	1415	26	1.25	1.1	1991	1229	27	1.40	1.2	1746	1078	27	1.60	1.4	1541	951	27	1.85	1.6	1356	837	27	2.10	1.8	1176	726	27	2.40	2.1	1034	638	27	2.75																												
7.2	214	181	5.4	1.00			8.2	189	160				5.6	1.10	9.6	161	136			5.8	1.30	10	150	127	5.9	1.40	9.0	171	144.79	12	2.90	GK67 GKF67 GKA67 GKAF67	6P	0.16	13761	8366	75	1.00	11	146	123.54	12	3.40			12	128	108.02			12	3.80	13	122	102.62			12	4.00	9.0	180	144.79	12	4.30	GK67 GKF67 GKA67 GKAF67	4P	0.18	12055	7329	76	1.15	11	154	123.54	12	5.10			12	135	108.02			12	5.80	5.9	279	145.15			8.9	2.10	6.9	238	123.85	9.0	2.50	GK57 GKF57 GKA57 GKAF57	6P	0.21	10576	6430	77	1.30	7.8	208	108.29	9.1	2.80			8.3	198	102.88			9.1	3.00	9.4	173	90.26			9.2	3.40	9.0	181	145.15	9.2	3.20	GK57 GKF57 GKA57 GKAF57	4P	0.23	9528	5793	77	1.45	11	154	123.85	9.3	3.70			12	135	108.29			9.3	4.30	13	128	102.88			9.3	4.50	15	113	90.26	9.4	5.10	17	95	76.56	9.4	6.00	6.4	253	131.87	7.0	1.55	GK47 GKF47 GKA47 GKAF47	6P	0.27	8099	4924	78	1.70	7.0	233	121.48	7.2	1.65			8.1	201	104.37			7.4	1.95	9.4	175	90.86			7.5	2.20	10	164	85.12	7.5	2.40	10	164	85.12	7.5	2.40	GK47 GKF47 GKA47 GKAF47	4P	0.31	7125	4332	78	1.95	11	151	121.48	7.6	2.50			13	130	104.37			7.7	2.90	14	113	90.86			7.7	3.40	15	106	85.12	7.7	3.60	8.0	204	106.38	5.2	0.95	GK37 GKF37 GKA37 GKAF37	6P	0.35	6339	3854	78	2.20	8.7	188	97.81	5.4	1.05			10	161	83.69			5.7	1.20	12	139	72.54			5.9	1.40	12	133	106.38	5.9	1.45	GK37 GKF37 GKA37 GKAF37	4P	0.41	5398	3282	78	2.55	13	122	97.81	6.0	1.55			16	104	83.69			6.1	1.85	18	90	72.54			6.1	2.10	19	85	67.80			6.2	2.30	22	73	58.61	6.0	2.60			26	62	49.79	5.7	3.10			29	55	44.46	5.5	3.50			35	47	37.97			5.3	4.10	37					44	35.57	5.2	4.30	0.22	10019	6184	62			0.85	0.23	9173	5662	62	0.90	0.26	8324	5138	62	1.00	0.31	7064	4360	62	1.20	0.35	6174	3811	62	1.35	0.40	5440	3358	62	1.55	0.45	4823	2977	62	1.75	0.51	4209	2598	62	2.00	0.58	3704	2286	62	2.25	0.69	3141	1939	62	2.65	0.78	2775	1713	62	3.00	0.86	2519	1555	62	3.30	1.0	2164	1336	62	3.85	0.42	5152	3180	38	0.85	0.48	4465	2756	38	1.00	0.55	3919	2419	38	1.15	0.63	3439	2123	38	1.30	0.72	3007	1856	38	1.50	0.82	2633	1625	38	1.70	0.93	2317	1430	38	1.95	1.1	2043	1261	38	2.20	1.2	1785	1102	38	2.50	1.4	1550	957	38	2.90	1.6	1385	855	38	3.25	0.64	3380	2086	25	0.85	0.72	3004	1854	26	0.95	0.80	2686	1658	26	1.05	0.94	2292	1415	26	1.25	1.1	1991	1229	27	1.40	1.2	1746	1078	27	1.60	1.4	1541	951	27	1.85	1.6	1356	837	27	2.10	1.8	1176	726	27	2.40	2.1	1034	638	27	2.75																																								
8.2	189	160	5.6	1.10			9.6	161	136				5.8	1.30	10	150	127	5.9	1.40	9.0	171	144.79	12	2.90	GK67 GKF67 GKA67 GKAF67	6P	0.16	13761	8366	75	1.00			11	146	123.54	12	3.40	12	128	108.02	12	3.80			13	122	102.62			12	4.00	9.0	180	144.79	12	4.30	GK67 GKF67 GKA67 GKAF67	4P	0.18	12055	7329	76	1.15			11	154	123.54	12	5.10	12	135	108.02	12	5.80			5.9	279	145.15			8.9	2.10	6.9	238	123.85	9.0	2.50	GK57 GKF57 GKA57 GKAF57	6P	0.21	10576	6430	77	1.30			7.8	208	108.29	9.1	2.80	8.3	198	102.88	9.1	3.00			9.4	173	90.26			9.2	3.40	9.0	181	145.15	9.2	3.20	GK57 GKF57 GKA57 GKAF57	4P	0.23	9528	5793	77	1.45			11	154	123.85	9.3	3.70	12	135	108.29	9.3	4.30			13	128	102.88			9.3	4.50	15	113	90.26	9.4	5.10	17	95	76.56	9.4	6.00	6.4	253	131.87	7.0	1.55	GK47 GKF47 GKA47 GKAF47	6P	0.27	8099	4924	78	1.70			7.0	233	121.48	7.2	1.65	8.1	201	104.37	7.4	1.95			9.4	175	90.86			7.5	2.20	10	164	85.12	7.5	2.40	10	164	85.12	7.5	2.40	GK47 GKF47 GKA47 GKAF47	4P	0.31	7125	4332	78	1.95			11	151	121.48	7.6	2.50	13	130	104.37	7.7	2.90			14	113	90.86			7.7	3.40	15	106	85.12	7.7	3.60	8.0	204	106.38	5.2	0.95	GK37 GKF37 GKA37 GKAF37	6P	0.35	6339	3854	78	2.20			8.7	188	97.81	5.4	1.05	10	161	83.69	5.7	1.20			12	139	72.54			5.9	1.40	12	133	106.38	5.9	1.45	GK37 GKF37 GKA37 GKAF37	4P	0.41	5398	3282	78	2.55			13	122	97.81	6.0	1.55	16	104	83.69	6.1	1.85			18	90	72.54			6.1	2.10	19	85	67.80			6.2	2.30	22	73	58.61			6.0	2.60	26	62	49.79	5.7	3.10			29	55	44.46	5.5	3.50			35	47	37.97	5.3	4.10			37	44	35.57			5.2	4.30	0.22	10019	6184			62	0.85	0.23	9173	5662	62	0.90	0.26			8324	5138	62	1.00	0.31	7064	4360	62	1.20	0.35	6174	3811	62	1.35	0.40	5440	3358	62	1.55	0.45	4823	2977	62	1.75	0.51	4209	2598	62	2.00	0.58	3704	2286	62	2.25	0.69	3141	1939	62	2.65	0.78	2775	1713	62	3.00	0.86	2519	1555	62	3.30	1.0	2164	1336	62	3.85	0.42	5152	3180	38	0.85	0.48	4465	2756	38	1.00	0.55	3919	2419	38	1.15	0.63	3439	2123	38	1.30	0.72	3007	1856	38	1.50	0.82	2633	1625	38	1.70	0.93	2317	1430	38	1.95	1.1	2043	1261	38	2.20	1.2	1785	1102	38	2.50	1.4	1550	957	38	2.90	1.6	1385	855	38	3.25	0.64	3380	2086	25	0.85	0.72	3004	1854	26	0.95	0.80	2686	1658	26	1.05	0.94	2292	1415	26	1.25	1.1	1991	1229	27	1.40	1.2	1746	1078	27	1.60	1.4	1541	951	27	1.85	1.6	1356	837	27	2.10	1.8	1176	726	27	2.40	2.1	1034	638	27	2.75																																															
9.6	161	136	5.8	1.30			10	150	127	5.9	1.40	9.0	171	144.79	12	2.90	GK67 GKF67 GKA67 GKAF67	6P	0.16	13761	8366	75	1.00	11			146	123.54	12	3.40	12			128	108.02	12	3.80	13	122	102.62	12	4.00	9.0			180	144.79	12	4.30	GK67 GKF67 GKA67 GKAF67	4P	0.18	12055	7329	76	1.15	11			154	123.54	12	5.10	12			135	108.02	12	5.80	5.9	279	145.15	8.9	2.10	6.9			238	123.85	9.0	2.50	GK57 GKF57 GKA57 GKAF57	6P	0.21	10576	6430	77	1.30	7.8			208	108.29	9.1	2.80	8.3			198	102.88	9.1	3.00	9.4	173	90.26	9.2	3.40	9.0			181	145.15	9.2	3.20	GK57 GKF57 GKA57 GKAF57	4P	0.23	9528	5793	77	1.45	11			154	123.85	9.3	3.70	12			135	108.29	9.3	4.30	13	128	102.88	9.3	4.50	15			113	90.26	9.4	5.10	17	95	76.56	9.4	6.00	6.4	253	131.87	7.0	1.55	GK47 GKF47 GKA47 GKAF47	6P	0.27	8099	4924	78	1.70	7.0			233	121.48	7.2	1.65	8.1			201	104.37	7.4	1.95	9.4	175	90.86	7.5	2.20	10			164	85.12	7.5	2.40	10	164	85.12	7.5	2.40	GK47 GKF47 GKA47 GKAF47	4P	0.31	7125	4332	78	1.95	11			151	121.48	7.6	2.50	13			130	104.37	7.7	2.90	14	113	90.86	7.7	3.40	15			106	85.12	7.7	3.60	8.0	204	106.38	5.2	0.95	GK37 GKF37 GKA37 GKAF37	6P	0.35	6339	3854	78	2.20	8.7			188	97.81	5.4	1.05	10			161	83.69	5.7	1.20	12	139	72.54	5.9	1.40	12			133	106.38	5.9	1.45	GK37 GKF37 GKA37 GKAF37	4P	0.41	5398	3282	78	2.55	13			122	97.81	6.0	1.55	16			104	83.69	6.1	1.85	18	90	72.54	6.1	2.10	19			85	67.80	6.2			2.30	22	73	58.61	6.0			2.60	26	62	49.79	5.7			3.10	29	55	44.46	5.5	3.50	35			47	37.97	5.3	4.10	37			44	35.57	5.2	4.30	0.22			10019	6184	62			0.85	0.23	9173	5662	62			0.90	0.26	8324	5138	62	1.00	0.31	7064	4360	62	1.20	0.35	6174	3811	62	1.35	0.40	5440	3358	62	1.55	0.45	4823	2977	62	1.75	0.51	4209	2598	62	2.00	0.58	3704	2286	62	2.25	0.69	3141	1939	62	2.65	0.78	2775	1713	62	3.00	0.86	2519	1555	62	3.30	1.0	2164	1336	62	3.85	0.42	5152	3180	38	0.85	0.48	4465	2756	38	1.00	0.55	3919	2419	38	1.15	0.63	3439	2123	38	1.30	0.72	3007	1856	38	1.50	0.82	2633	1625	38	1.70	0.93	2317	1430	38	1.95	1.1	2043	1261	38	2.20	1.2	1785	1102	38	2.50	1.4	1550	957	38	2.90	1.6	1385	855	38	3.25	0.64	3380	2086	25	0.85	0.72	3004	1854	26	0.95	0.80	2686	1658	26	1.05	0.94	2292	1415	26	1.25	1.1	1991	1229	27	1.40	1.2	1746	1078	27	1.60	1.4	1541	951	27	1.85	1.6	1356	837	27	2.10	1.8	1176	726	27	2.40	2.1	1034	638	27	2.75																																																							
10	150	127	5.9	1.40	9.0	171	144.79	12	2.90	GK67 GKF67 GKA67 GKAF67	6P	0.16	13761	8366	75	1.00			11	146	123.54	12	3.40	12			128	108.02	12	3.80	13			122	102.62	12	4.00	9.0	180	144.79	12	4.30	GK67 GKF67 GKA67 GKAF67	4P	0.18	12055	7329	76	1.15			11	154	123.54	12	5.10	12			135	108.02	12	5.80	5.9			279	145.15	8.9	2.10	6.9	238	123.85	9.0	2.50	GK57 GKF57 GKA57 GKAF57	6P	0.21	10576	6430	77	1.30			7.8	208	108.29	9.1	2.80	8.3			198	102.88	9.1	3.00	9.4			173	90.26	9.2	3.40	9.0	181	145.15	9.2	3.20	GK57 GKF57 GKA57 GKAF57	4P	0.23	9528	5793	77	1.45			11	154	123.85	9.3	3.70	12			135	108.29	9.3	4.30	13			128	102.88	9.3	4.50	15	113	90.26	9.4	5.10	17	95	76.56	9.4	6.00	6.4	253	131.87	7.0	1.55	GK47 GKF47 GKA47 GKAF47	6P	0.27	8099	4924	78	1.70			7.0	233	121.48	7.2	1.65	8.1			201	104.37	7.4	1.95	9.4			175	90.86	7.5	2.20	10	164	85.12	7.5	2.40	10	164	85.12	7.5	2.40	GK47 GKF47 GKA47 GKAF47	4P	0.31	7125	4332	78	1.95			11	151	121.48	7.6	2.50	13			130	104.37	7.7	2.90	14			113	90.86	7.7	3.40	15	106	85.12	7.7	3.60	8.0	204	106.38	5.2	0.95	GK37 GKF37 GKA37 GKAF37	6P	0.35	6339	3854	78	2.20			8.7	188	97.81	5.4	1.05	10			161	83.69	5.7	1.20	12			139	72.54	5.9	1.40	12	133	106.38	5.9	1.45	GK37 GKF37 GKA37 GKAF37	4P	0.41	5398	3282	78	2.55			13	122	97.81	6.0	1.55	16			104	83.69	6.1	1.85	18			90	72.54	6.1	2.10	19	85	67.80	6.2	2.30	22			73	58.61	6.0			2.60	26	62	49.79	5.7			3.10	29	55	44.46	5.5			3.50	35	47	37.97	5.3	4.10	37			44	35.57	5.2	4.30	0.22			10019	6184	62	0.85	0.23			9173	5662	62			0.90	0.26	8324	5138	62	1.00	0.31	7064	4360	62	1.20	0.35	6174	3811	62	1.35	0.40	5440	3358	62	1.55	0.45	4823	2977	62	1.75	0.51	4209	2598	62	2.00	0.58	3704	2286	62	2.25	0.69	3141	1939	62	2.65	0.78	2775	1713	62	3.00	0.86	2519	1555	62	3.30	1.0	2164	1336	62	3.85	0.42	5152	3180	38	0.85	0.48	4465	2756	38	1.00	0.55	3919	2419	38	1.15	0.63	3439	2123	38	1.30	0.72	3007	1856	38	1.50	0.82	2633	1625	38	1.70	0.93	2317	1430	38	1.95	1.1	2043	1261	38	2.20	1.2	1785	1102	38	2.50	1.4	1550	957	38	2.90	1.6	1385	855	38	3.25	0.64	3380	2086	25	0.85	0.72	3004	1854	26	0.95	0.80	2686	1658	26	1.05	0.94	2292	1415	26	1.25	1.1	1991	1229	27	1.40	1.2	1746	1078	27	1.60	1.4	1541	951	27	1.85	1.6	1356	837	27	2.10	1.8	1176	726	27	2.40	2.1	1034	638	27	2.75																																																														
9.0	171	144.79	12	2.90	GK67 GKF67 GKA67 GKAF67	6P	0.16	13761	8366			75	1.00	11	146	123.54			12	3.40	12	128	108.02	12			3.80	13	122	102.62	12	4.00	9.0	180	144.79	12	4.30	GK67 GKF67 GKA67 GKAF67	4P	0.18	12055	7329			76	1.15	11	154	123.54			12	5.10	12	135	108.02	12			5.80	5.9	279	145.15	8.9	2.10	6.9	238	123.85	9.0	2.50	GK57 GKF57 GKA57 GKAF57	6P	0.21	10576	6430			77	1.30	7.8	208	108.29			9.1	2.80	8.3	198	102.88	9.1			3.00	9.4	173	90.26	9.2	3.40	9.0	181	145.15	9.2	3.20	GK57 GKF57 GKA57 GKAF57	4P	0.23	9528	5793			77	1.45	11	154	123.85			9.3	3.70	12	135	108.29	9.3			4.30	13	128	102.88	9.3	4.50	15	113	90.26	9.4	5.10	17	95	76.56	9.4	6.00	6.4	253	131.87	7.0	1.55	GK47 GKF47 GKA47 GKAF47	6P	0.27	8099	4924			78	1.70	7.0	233	121.48			7.2	1.65	8.1	201	104.37	7.4			1.95	9.4	175	90.86	7.5	2.20	10	164	85.12	7.5	2.40	10	164	85.12	7.5	2.40	GK47 GKF47 GKA47 GKAF47	4P	0.31	7125	4332			78	1.95	11	151	121.48			7.6	2.50	13	130	104.37	7.7			2.90	14	113	90.86	7.7	3.40	15	106	85.12	7.7	3.60	8.0	204	106.38	5.2	0.95	GK37 GKF37 GKA37 GKAF37	6P	0.35	6339	3854			78	2.20	8.7	188	97.81			5.4	1.05	10	161	83.69	5.7			1.20	12	139	72.54	5.9	1.40	12	133	106.38	5.9	1.45	GK37 GKF37 GKA37 GKAF37	4P	0.41	5398	3282			78	2.55	13	122	97.81			6.0	1.55	16	104	83.69	6.1			1.85	18	90	72.54	6.1			2.10	19	85	67.80	6.2	2.30	22	73	58.61	6.0			2.60	26	62			49.79	5.7	3.10	29	55			44.46	5.5	3.50	35	47			37.97	5.3	4.10	37	44	35.57	5.2			4.30	0.22	10019	6184	62			0.85	0.23	9173	5662	62			0.90	0.26	8324	5138	62	1.00	0.31	7064	4360	62	1.20	0.35	6174	3811	62	1.35	0.40	5440	3358	62	1.55	0.45	4823	2977	62	1.75	0.51	4209	2598	62	2.00	0.58	3704	2286	62	2.25	0.69	3141	1939	62	2.65	0.78	2775	1713	62	3.00	0.86	2519	1555	62	3.30	1.0	2164	1336	62	3.85	0.42	5152	3180	38	0.85	0.48	4465	2756	38	1.00	0.55	3919	2419	38	1.15	0.63	3439	2123	38	1.30	0.72	3007	1856	38	1.50	0.82	2633	1625	38	1.70	0.93	2317	1430	38	1.95	1.1	2043	1261	38	2.20	1.2	1785	1102	38	2.50	1.4	1550	957	38	2.90	1.6	1385	855	38	3.25	0.64	3380	2086	25	0.85	0.72	3004	1854	26	0.95	0.80	2686	1658	26	1.05	0.94	2292	1415	26	1.25	1.1	1991	1229	27	1.40	1.2	1746	1078	27	1.60	1.4	1541	951	27	1.85	1.6	1356	837	27	2.10	1.8	1176	726	27	2.40	2.1	1034	638	27	2.75																																																																			
11	146	123.54	12	3.40			12	128	108.02			12	3.80	13	122	102.62			12	4.00	9.0	180	144.79	12	4.30	GK67 GKF67 GKA67 GKAF67	4P	0.18	12055	7329	76	1.15	11	154	123.54	12	5.10			12	135	108.02			12	5.80	5.9	279	145.15			8.9	2.10	6.9	238	123.85	9.0	2.50	GK57 GKF57 GKA57 GKAF57	6P	0.21	10576	6430	77	1.30	7.8	208	108.29	9.1	2.80			8.3	198	102.88			9.1	3.00	9.4	173	90.26			9.2	3.40	9.0	181	145.15	9.2	3.20	GK57 GKF57 GKA57 GKAF57	4P	0.23	9528	5793	77	1.45	11	154	123.85	9.3	3.70			12	135	108.29			9.3	4.30	13	128	102.88			9.3	4.50	15	113	90.26	9.4	5.10	17	95	76.56	9.4	6.00	6.4	253	131.87	7.0	1.55	GK47 GKF47 GKA47 GKAF47	6P	0.27	8099	4924	78	1.70	7.0	233	121.48	7.2	1.65			8.1	201	104.37			7.4	1.95	9.4	175	90.86			7.5	2.20	10	164	85.12	7.5	2.40	10	164	85.12	7.5	2.40	GK47 GKF47 GKA47 GKAF47	4P	0.31	7125	4332	78	1.95	11	151	121.48	7.6	2.50			13	130	104.37			7.7	2.90	14	113	90.86			7.7	3.40	15	106	85.12	7.7	3.60	8.0	204	106.38	5.2	0.95	GK37 GKF37 GKA37 GKAF37	6P	0.35	6339	3854	78	2.20	8.7	188	97.81	5.4	1.05			10	161	83.69			5.7	1.20	12	139	72.54			5.9	1.40	12	133	106.38	5.9	1.45	GK37 GKF37 GKA37 GKAF37	4P	0.41	5398	3282	78	2.55	13	122	97.81	6.0	1.55			16	104	83.69			6.1	1.85	18	90	72.54			6.1	2.10	19	85	67.80	6.2			2.30	22	73	58.61	6.0			2.60	26	62	49.79	5.7	3.10	29	55	44.46	5.5			3.50	35	47			37.97	5.3	4.10	37	44			35.57	5.2	4.30	0.22	10019			6184	62	0.85	0.23	9173	5662	62			0.90	0.26	8324	5138	62			1.00	0.31	7064	4360	62	1.20	0.35	6174	3811	62	1.35	0.40	5440	3358	62	1.55	0.45	4823	2977	62	1.75	0.51	4209	2598	62	2.00	0.58	3704	2286	62	2.25	0.69	3141	1939	62	2.65	0.78	2775	1713	62	3.00	0.86	2519	1555	62	3.30	1.0	2164	1336	62	3.85	0.42	5152	3180	38	0.85	0.48	4465	2756	38	1.00	0.55	3919	2419	38	1.15	0.63	3439	2123	38	1.30	0.72	3007	1856	38	1.50	0.82	2633	1625	38	1.70	0.93	2317	1430	38	1.95	1.1	2043	1261	38	2.20	1.2	1785	1102	38	2.50	1.4	1550	957	38	2.90	1.6	1385	855	38	3.25	0.64	3380	2086	25	0.85	0.72	3004	1854	26	0.95	0.80	2686	1658	26	1.05	0.94	2292	1415	26	1.25	1.1	1991	1229	27	1.40	1.2	1746	1078	27	1.60	1.4	1541	951	27	1.85	1.6	1356	837	27	2.10	1.8	1176	726	27	2.40	2.1	1034	638	27	2.75																																																																															
12	128	108.02	12	3.80			13	122	102.62			12	4.00	9.0	180	144.79	12	4.30	GK67 GKF67 GKA67 GKAF67	4P	0.18	12055	7329	76	1.15			11	154	123.54	12	5.10	12	135	108.02	12	5.80			5.9	279	145.15			8.9	2.10	6.9	238	123.85	9.0	2.50	GK57 GKF57 GKA57 GKAF57	6P	0.21	10576	6430	77	1.30			7.8	208	108.29	9.1	2.80	8.3	198	102.88	9.1	3.00			9.4	173	90.26			9.2	3.40	9.0	181	145.15	9.2	3.20	GK57 GKF57 GKA57 GKAF57	4P	0.23	9528	5793	77	1.45			11	154	123.85	9.3	3.70	12	135	108.29	9.3	4.30			13	128	102.88			9.3	4.50	15	113	90.26	9.4	5.10	17	95	76.56	9.4	6.00	6.4	253	131.87	7.0	1.55	GK47 GKF47 GKA47 GKAF47	6P	0.27	8099	4924	78	1.70			7.0	233	121.48	7.2	1.65	8.1	201	104.37	7.4	1.95			9.4	175	90.86			7.5	2.20	10	164	85.12	7.5	2.40	10	164	85.12	7.5	2.40	GK47 GKF47 GKA47 GKAF47	4P	0.31	7125	4332	78	1.95			11	151	121.48	7.6	2.50	13	130	104.37	7.7	2.90			14	113	90.86			7.7	3.40	15	106	85.12	7.7	3.60	8.0	204	106.38	5.2	0.95	GK37 GKF37 GKA37 GKAF37	6P	0.35	6339	3854	78	2.20			8.7	188	97.81	5.4	1.05	10	161	83.69	5.7	1.20			12	139	72.54			5.9	1.40	12	133	106.38	5.9	1.45	GK37 GKF37 GKA37 GKAF37	4P	0.41	5398	3282	78	2.55			13	122	97.81	6.0	1.55	16	104	83.69	6.1	1.85			18	90	72.54			6.1	2.10	19	85	67.80			6.2	2.30	22	73	58.61	6.0			2.60	26	62	49.79	5.7			3.10	29	55	44.46	5.5	3.50	35	47	37.97	5.3			4.10	37	44			35.57	5.2	4.30	0.22	10019			6184	62	0.85	0.23	9173			5662	62	0.90	0.26	8324	5138	62			1.00	0.31	7064	4360	62	1.20	0.35	6174	3811	62	1.35	0.40	5440	3358	62	1.55	0.45	4823	2977	62	1.75	0.51	4209	2598	62	2.00	0.58	3704	2286	62	2.25	0.69	3141	1939	62	2.65	0.78	2775	1713	62	3.00	0.86	2519	1555	62	3.30	1.0	2164	1336	62	3.85	0.42	5152	3180	38	0.85	0.48	4465	2756	38	1.00	0.55	3919	2419	38	1.15	0.63	3439	2123	38	1.30	0.72	3007	1856	38	1.50	0.82	2633	1625	38	1.70	0.93	2317	1430	38	1.95	1.1	2043	1261	38	2.20	1.2	1785	1102	38	2.50	1.4	1550	957	38	2.90	1.6	1385	855	38	3.25	0.64	3380	2086	25	0.85	0.72	3004	1854	26	0.95	0.80	2686	1658	26	1.05	0.94	2292	1415	26	1.25	1.1	1991	1229	27	1.40	1.2	1746	1078	27	1.60	1.4	1541	951	27	1.85	1.6	1356	837	27	2.10	1.8	1176	726	27	2.40	2.1	1034	638	27	2.75																																																																																						
13	122	102.62	12	4.00			9.0	180	144.79	12	4.30	GK67 GKF67 GKA67 GKAF67	4P	0.18	12055	7329	76	1.15			11	154	123.54	12	5.10			12	135	108.02	12	5.80	5.9	279	145.15	8.9	2.10			6.9	238	123.85	9.0	2.50	GK57 GKF57 GKA57 GKAF57	6P	0.21	10576	6430	77	1.30			7.8	208	108.29	9.1	2.80			8.3	198	102.88	9.1	3.00	9.4	173	90.26	9.2	3.40			9.0	181	145.15	9.2	3.20	GK57 GKF57 GKA57 GKAF57	4P	0.23	9528	5793	77	1.45			11	154	123.85	9.3	3.70			12	135	108.29	9.3	4.30	13	128	102.88	9.3	4.50			15	113	90.26	9.4	5.10	17	95	76.56	9.4	6.00	6.4	253	131.87	7.0	1.55	GK47 GKF47 GKA47 GKAF47	6P	0.27	8099	4924	78	1.70			7.0	233	121.48	7.2	1.65			8.1	201	104.37	7.4	1.95	9.4	175	90.86	7.5	2.20			10	164	85.12	7.5	2.40	10	164	85.12	7.5	2.40	GK47 GKF47 GKA47 GKAF47	4P	0.31	7125	4332	78	1.95			11	151	121.48	7.6	2.50			13	130	104.37	7.7	2.90	14	113	90.86	7.7	3.40			15	106	85.12	7.7	3.60	8.0	204	106.38	5.2	0.95	GK37 GKF37 GKA37 GKAF37	6P	0.35	6339	3854	78	2.20			8.7	188	97.81	5.4	1.05			10	161	83.69	5.7	1.20	12	139	72.54	5.9	1.40			12	133	106.38	5.9	1.45	GK37 GKF37 GKA37 GKAF37	4P	0.41	5398	3282	78	2.55			13	122	97.81	6.0	1.55			16	104	83.69	6.1	1.85	18	90	72.54	6.1	2.10			19	85	67.80			6.2	2.30	22	73	58.61			6.0	2.60	26	62	49.79	5.7			3.10	29	55	44.46	5.5			3.50	35	47	37.97	5.3	4.10	37	44	35.57	5.2			4.30	0.22	10019			6184	62	0.85	0.23	9173			5662	62	0.90	0.26	8324			5138	62	1.00	0.31	7064	4360	62	1.20	0.35	6174	3811	62	1.35	0.40	5440	3358	62	1.55	0.45	4823	2977	62	1.75	0.51	4209	2598	62	2.00	0.58	3704	2286	62	2.25	0.69	3141	1939	62	2.65	0.78	2775	1713	62	3.00	0.86	2519	1555	62	3.30	1.0	2164	1336	62	3.85	0.42	5152	3180	38	0.85	0.48	4465	2756	38	1.00	0.55	3919	2419	38	1.15	0.63	3439	2123	38	1.30	0.72	3007	1856	38	1.50	0.82	2633	1625	38	1.70	0.93	2317	1430	38	1.95	1.1	2043	1261	38	2.20	1.2	1785	1102	38	2.50	1.4	1550	957	38	2.90	1.6	1385	855	38	3.25	0.64	3380	2086	25	0.85	0.72	3004	1854	26	0.95	0.80	2686	1658	26	1.05	0.94	2292	1415	26	1.25	1.1	1991	1229	27	1.40	1.2	1746	1078	27	1.60	1.4	1541	951	27	1.85	1.6	1356	837	27	2.10	1.8	1176	726	27	2.40	2.1	1034	638	27	2.75																																																																																													
9.0	180	144.79	12	4.30	GK67 GKF67 GKA67 GKAF67	4P	0.18	12055	7329	76	1.15			11	154	123.54	12	5.10			12	135	108.02	12	5.80			5.9	279	145.15	8.9	2.10	6.9	238	123.85	9.0	2.50	GK57 GKF57 GKA57 GKAF57	6P	0.21	10576	6430	77	1.30			7.8	208	108.29	9.1	2.80			8.3	198	102.88	9.1	3.00			9.4	173	90.26	9.2	3.40	9.0	181	145.15	9.2	3.20	GK57 GKF57 GKA57 GKAF57	4P	0.23	9528	5793	77	1.45			11	154	123.85	9.3	3.70			12	135	108.29	9.3	4.30			13	128	102.88	9.3	4.50	15	113	90.26	9.4	5.10	17	95	76.56	9.4	6.00	6.4	253	131.87	7.0	1.55	GK47 GKF47 GKA47 GKAF47	6P	0.27	8099	4924	78	1.70			7.0	233	121.48	7.2	1.65			8.1	201	104.37	7.4	1.95			9.4	175	90.86	7.5	2.20	10	164	85.12	7.5	2.40	10	164	85.12	7.5	2.40	GK47 GKF47 GKA47 GKAF47	4P	0.31	7125	4332	78	1.95			11	151	121.48	7.6	2.50			13	130	104.37	7.7	2.90			14	113	90.86	7.7	3.40	15	106	85.12	7.7	3.60	8.0	204	106.38	5.2	0.95	GK37 GKF37 GKA37 GKAF37	6P	0.35	6339	3854	78	2.20			8.7	188	97.81	5.4	1.05			10	161	83.69	5.7	1.20			12	139	72.54	5.9	1.40	12	133	106.38	5.9	1.45	GK37 GKF37 GKA37 GKAF37	4P	0.41	5398	3282	78	2.55			13	122	97.81	6.0	1.55			16	104	83.69	6.1	1.85			18	90	72.54	6.1	2.10	19	85	67.80	6.2	2.30			22	73	58.61			6.0	2.60	26	62	49.79			5.7	3.10	29	55	44.46	5.5			3.50	35	47	37.97	5.3			4.10	37	44	35.57	5.2	4.30	0.22	10019	6184	62			0.85	0.23	9173			5662	62	0.90	0.26	8324			5138	62	1.00	0.31	7064	4360	62	1.20	0.35	6174	3811	62	1.35	0.40	5440	3358	62	1.55	0.45	4823	2977	62	1.75	0.51	4209	2598	62	2.00	0.58	3704	2286	62	2.25	0.69	3141	1939	62	2.65	0.78	2775	1713	62	3.00	0.86	2519	1555	62	3.30	1.0	2164	1336	62	3.85	0.42	5152	3180	38	0.85	0.48	4465	2756	38	1.00	0.55	3919	2419	38	1.15	0.63	3439	2123	38	1.30	0.72	3007	1856	38	1.50	0.82	2633	1625	38	1.70	0.93	2317	1430	38	1.95	1.1	2043	1261	38	2.20	1.2	1785	1102	38	2.50	1.4	1550	957	38	2.90	1.6	1385	855	38	3.25	0.64	3380	2086	25	0.85	0.72	3004	1854	26	0.95	0.80	2686	1658	26	1.05	0.94	2292	1415	26	1.25	1.1	1991	1229	27	1.40	1.2	1746	1078	27	1.60	1.4	1541	951	27	1.85	1.6	1356	837	27	2.10	1.8	1176	726	27	2.40	2.1	1034	638	27	2.75																																																																																																				
11	154	123.54	12	5.10			12	135	108.02	12	5.80			5.9	279	145.15	8.9	2.10			6.9	238	123.85	9.0	2.50	GK57 GKF57 GKA57 GKAF57	6P	0.21	10576	6430	77	1.30	7.8	208	108.29	9.1	2.80			8.3	198	102.88	9.1	3.00			9.4	173	90.26	9.2	3.40			9.0	181	145.15	9.2	3.20	GK57 GKF57 GKA57 GKAF57	4P	0.23	9528	5793	77	1.45	11	154	123.85	9.3	3.70			12	135	108.29	9.3	4.30			13	128	102.88	9.3	4.50			15	113	90.26	9.4	5.10	17	95	76.56	9.4	6.00	6.4	253	131.87	7.0	1.55	GK47 GKF47 GKA47 GKAF47	6P	0.27	8099	4924	78	1.70	7.0	233	121.48	7.2	1.65			8.1	201	104.37	7.4	1.95			9.4	175	90.86	7.5	2.20			10	164	85.12	7.5	2.40	10	164	85.12	7.5	2.40	GK47 GKF47 GKA47 GKAF47	4P	0.31	7125	4332	78	1.95	11	151	121.48	7.6	2.50			13	130	104.37	7.7	2.90			14	113	90.86	7.7	3.40			15	106	85.12	7.7	3.60	8.0	204	106.38	5.2	0.95	GK37 GKF37 GKA37 GKAF37	6P	0.35	6339	3854	78	2.20	8.7	188	97.81	5.4	1.05			10	161	83.69	5.7	1.20			12	139	72.54	5.9	1.40			12	133	106.38	5.9	1.45	GK37 GKF37 GKA37 GKAF37	4P	0.41	5398	3282	78	2.55	13	122	97.81	6.0	1.55			16	104	83.69	6.1	1.85			18	90	72.54	6.1	2.10			19	85	67.80	6.2	2.30			22	73	58.61	6.0	2.60	26	62	49.79	5.7	3.10			29	55	44.46			5.5	3.50	35	47	37.97			5.3	4.10	37	44	35.57	5.2			4.30	0.22	10019	6184	62			0.85	0.23	9173	5662	62	0.90	0.26	8324	5138	62			1.00	0.31	7064			4360	62	1.20	0.35	6174	3811	62	1.35	0.40	5440	3358	62	1.55	0.45	4823	2977	62	1.75	0.51	4209	2598	62	2.00	0.58	3704	2286	62	2.25	0.69	3141	1939	62	2.65	0.78	2775	1713	62	3.00	0.86	2519	1555	62	3.30	1.0	2164	1336	62	3.85	0.42	5152	3180	38	0.85	0.48	4465	2756	38	1.00	0.55	3919	2419	38	1.15	0.63	3439	2123	38	1.30	0.72	3007	1856	38	1.50	0.82	2633	1625	38	1.70	0.93	2317	1430	38	1.95	1.1	2043	1261	38	2.20	1.2	1785	1102	38	2.50	1.4	1550	957	38	2.90	1.6	1385	855	38	3.25	0.64	3380	2086	25	0.85	0.72	3004	1854	26	0.95	0.80	2686	1658	26	1.05	0.94	2292	1415	26	1.25	1.1	1991	1229	27	1.40	1.2	1746	1078	27	1.60	1.4	1541	951	27	1.85	1.6	1356	837	27	2.10	1.8	1176	726	27	2.40	2.1	1034	638	27	2.75																																																																																																																
12	135	108.02	12	5.80			5.9	279	145.15	8.9	2.10			6.9	238	123.85	9.0	2.50	GK57 GKF57 GKA57 GKAF57	6P	0.21	10576	6430	77	1.30			7.8	208	108.29	9.1	2.80	8.3	198	102.88	9.1	3.00			9.4	173	90.26	9.2	3.40			9.0	181	145.15	9.2	3.20	GK57 GKF57 GKA57 GKAF57	4P	0.23	9528	5793	77	1.45			11	154	123.85	9.3	3.70	12	135	108.29	9.3	4.30			13	128	102.88	9.3	4.50			15	113	90.26	9.4	5.10	17	95	76.56	9.4	6.00	6.4	253	131.87	7.0	1.55	GK47 GKF47 GKA47 GKAF47	6P	0.27	8099	4924	78	1.70			7.0	233	121.48	7.2	1.65	8.1	201	104.37	7.4	1.95			9.4	175	90.86	7.5	2.20			10	164	85.12	7.5	2.40	10	164	85.12	7.5	2.40	GK47 GKF47 GKA47 GKAF47	4P	0.31	7125	4332	78	1.95			11	151	121.48	7.6	2.50	13	130	104.37	7.7	2.90			14	113	90.86	7.7	3.40			15	106	85.12	7.7	3.60	8.0	204	106.38	5.2	0.95	GK37 GKF37 GKA37 GKAF37	6P	0.35	6339	3854	78	2.20			8.7	188	97.81	5.4	1.05	10	161	83.69	5.7	1.20			12	139	72.54	5.9	1.40			12	133	106.38	5.9	1.45	GK37 GKF37 GKA37 GKAF37	4P	0.41	5398	3282	78	2.55			13	122	97.81	6.0	1.55	16	104	83.69	6.1	1.85			18	90	72.54	6.1	2.10			19	85	67.80	6.2	2.30			22	73	58.61	6.0	2.60			26	62	49.79	5.7	3.10	29	55	44.46	5.5	3.50			35	47	37.97			5.3	4.10	37	44	35.57			5.2	4.30	0.22	10019	6184	62			0.85	0.23	9173	5662	62			0.90	0.26	8324	5138	62	1.00	0.31	7064	4360	62			1.20	0.35	6174	3811	62	1.35	0.40	5440	3358	62	1.55	0.45	4823	2977	62	1.75	0.51	4209	2598	62	2.00	0.58	3704	2286	62	2.25	0.69	3141	1939	62	2.65	0.78	2775	1713	62	3.00	0.86	2519	1555	62	3.30	1.0	2164	1336	62	3.85	0.42	5152	3180	38	0.85	0.48	4465	2756	38	1.00	0.55	3919	2419	38	1.15	0.63	3439	2123	38	1.30	0.72	3007	1856	38	1.50	0.82	2633	1625	38	1.70	0.93	2317	1430	38	1.95	1.1	2043	1261	38	2.20	1.2	1785	1102	38	2.50	1.4	1550	957	38	2.90	1.6	1385	855	38	3.25	0.64	3380	2086	25	0.85	0.72	3004	1854	26	0.95	0.80	2686	1658	26	1.05	0.94	2292	1415	26	1.25	1.1	1991	1229	27	1.40	1.2	1746	1078	27	1.60	1.4	1541	951	27	1.85	1.6	1356	837	27	2.10	1.8	1176	726	27	2.40	2.1	1034	638	27	2.75																																																																																																																							
5.9	279	145.15	8.9	2.10			6.9	238	123.85	9.0	2.50	GK57 GKF57 GKA57 GKAF57	6P	0.21	10576	6430	77	1.30			7.8	208	108.29	9.1	2.80			8.3	198	102.88	9.1	3.00	9.4	173	90.26	9.2	3.40			9.0	181	145.15	9.2	3.20	GK57 GKF57 GKA57 GKAF57	4P	0.23	9528	5793	77	1.45			11	154	123.85	9.3	3.70			12	135	108.29	9.3	4.30	13	128	102.88	9.3	4.50			15	113	90.26	9.4	5.10	17	95	76.56	9.4	6.00	6.4	253	131.87	7.0	1.55	GK47 GKF47 GKA47 GKAF47	6P	0.27	8099	4924	78	1.70			7.0	233	121.48	7.2	1.65			8.1	201	104.37	7.4	1.95	9.4	175	90.86	7.5	2.20			10	164	85.12	7.5	2.40	10	164	85.12	7.5	2.40	GK47 GKF47 GKA47 GKAF47	4P	0.31	7125	4332	78	1.95			11	151	121.48	7.6	2.50			13	130	104.37	7.7	2.90	14	113	90.86	7.7	3.40			15	106	85.12	7.7	3.60	8.0	204	106.38	5.2	0.95	GK37 GKF37 GKA37 GKAF37	6P	0.35	6339	3854	78	2.20			8.7	188	97.81	5.4	1.05			10	161	83.69	5.7	1.20	12	139	72.54	5.9	1.40			12	133	106.38	5.9	1.45	GK37 GKF37 GKA37 GKAF37	4P	0.41	5398	3282	78	2.55			13	122	97.81	6.0	1.55			16	104	83.69	6.1	1.85	18	90	72.54	6.1	2.10			19	85	67.80	6.2	2.30			22	73	58.61	6.0	2.60			26	62	49.79	5.7	3.10			29	55	44.46	5.5	3.50	35	47	37.97	5.3	4.10			37	44	35.57			5.2	4.30	0.22	10019	6184			62	0.85	0.23	9173	5662	62			0.90	0.26	8324	5138	62			1.00	0.31	7064	4360	62	1.20	0.35	6174	3811	62	1.35	0.40	5440	3358	62	1.55	0.45	4823	2977	62	1.75	0.51	4209	2598	62	2.00	0.58	3704	2286	62	2.25	0.69	3141	1939	62	2.65	0.78	2775	1713	62	3.00	0.86	2519	1555	62	3.30	1.0	2164	1336	62	3.85	0.42	5152	3180	38	0.85	0.48	4465	2756	38	1.00	0.55	3919	2419	38	1.15	0.63	3439	2123	38	1.30	0.72	3007	1856	38	1.50	0.82	2633	1625	38	1.70	0.93	2317	1430	38	1.95	1.1	2043	1261	38	2.20	1.2	1785	1102	38	2.50	1.4	1550	957	38	2.90	1.6	1385	855	38	3.25	0.64	3380	2086	25	0.85	0.72	3004	1854	26	0.95	0.80	2686	1658	26	1.05	0.94	2292	1415	26	1.25	1.1	1991	1229	27	1.40	1.2	1746	1078	27	1.60	1.4	1541	951	27	1.85	1.6	1356	837	27	2.10	1.8	1176	726	27	2.40	2.1	1034	638	27	2.75																																																																																																																														
6.9	238	123.85	9.0	2.50	GK57 GKF57 GKA57 GKAF57	6P	0.21	10576	6430	77	1.30			7.8	208	108.29	9.1	2.80			8.3	198	102.88	9.1	3.00			9.4	173	90.26	9.2	3.40	9.0	181	145.15	9.2	3.20	GK57 GKF57 GKA57 GKAF57	4P	0.23	9528	5793	77	1.45			11	154	123.85	9.3	3.70			12	135	108.29	9.3	4.30			13	128	102.88	9.3	4.50	15	113	90.26	9.4	5.10	17	95	76.56	9.4	6.00	6.4	253	131.87	7.0	1.55	GK47 GKF47 GKA47 GKAF47	6P	0.27	8099	4924	78	1.70			7.0	233	121.48	7.2	1.65			8.1	201	104.37	7.4	1.95			9.4	175	90.86	7.5	2.20	10	164	85.12	7.5	2.40	10	164	85.12	7.5	2.40	GK47 GKF47 GKA47 GKAF47	4P	0.31	7125	4332	78	1.95			11	151	121.48	7.6	2.50			13	130	104.37	7.7	2.90			14	113	90.86	7.7	3.40	15	106	85.12	7.7	3.60	8.0	204	106.38	5.2	0.95	GK37 GKF37 GKA37 GKAF37	6P	0.35	6339	3854	78	2.20			8.7	188	97.81	5.4	1.05			10	161	83.69	5.7	1.20			12	139	72.54	5.9	1.40	12	133	106.38	5.9	1.45	GK37 GKF37 GKA37 GKAF37	4P	0.41	5398	3282	78	2.55			13	122	97.81	6.0	1.55			16	104	83.69	6.1	1.85			18	90	72.54	6.1	2.10	19	85	67.80	6.2	2.30			22	73	58.61	6.0	2.60			26	62	49.79	5.7	3.10			29	55	44.46	5.5	3.50			35	47	37.97	5.3	4.10	37	44	35.57	5.2	4.30			0.22	10019	6184			62	0.85	0.23	9173	5662			62	0.90	0.26	8324	5138	62			1.00	0.31	7064	4360	62	1.20	0.35	6174	3811	62	1.35	0.40	5440	3358	62	1.55	0.45	4823	2977	62	1.75	0.51	4209	2598	62	2.00	0.58	3704	2286	62	2.25	0.69	3141	1939	62	2.65	0.78	2775	1713	62	3.00	0.86	2519	1555	62	3.30	1.0	2164	1336	62	3.85	0.42	5152	3180	38	0.85	0.48	4465	2756	38	1.00	0.55	3919	2419	38	1.15	0.63	3439	2123	38	1.30	0.72	3007	1856	38	1.50	0.82	2633	1625	38	1.70	0.93	2317	1430	38	1.95	1.1	2043	1261	38	2.20	1.2	1785	1102	38	2.50	1.4	1550	957	38	2.90	1.6	1385	855	38	3.25	0.64	3380	2086	25	0.85	0.72	3004	1854	26	0.95	0.80	2686	1658	26	1.05	0.94	2292	1415	26	1.25	1.1	1991	1229	27	1.40	1.2	1746	1078	27	1.60	1.4	1541	951	27	1.85	1.6	1356	837	27	2.10	1.8	1176	726	27	2.40	2.1	1034	638	27	2.75																																																																																																																																					
7.8	208	108.29	9.1	2.80			8.3	198	102.88	9.1	3.00			9.4	173	90.26	9.2	3.40			9.0	181	145.15	9.2	3.20	GK57 GKF57 GKA57 GKAF57	4P	0.23	9528	5793	77	1.45	11	154	123.85	9.3	3.70			12	135	108.29	9.3	4.30			13	128	102.88	9.3	4.50			15	113	90.26	9.4	5.10	17	95	76.56	9.4	6.00	6.4	253	131.87	7.0	1.55	GK47 GKF47 GKA47 GKAF47	6P	0.27	8099	4924	78	1.70	7.0	233	121.48	7.2	1.65			8.1	201	104.37	7.4	1.95			9.4	175	90.86	7.5	2.20			10	164	85.12	7.5	2.40	10	164	85.12	7.5	2.40	GK47 GKF47 GKA47 GKAF47	4P	0.31	7125	4332	78	1.95	11	151	121.48	7.6	2.50			13	130	104.37	7.7	2.90			14	113	90.86	7.7	3.40			15	106	85.12	7.7	3.60	8.0	204	106.38	5.2	0.95	GK37 GKF37 GKA37 GKAF37	6P	0.35	6339	3854	78	2.20	8.7	188	97.81	5.4	1.05			10	161	83.69	5.7	1.20			12	139	72.54	5.9	1.40			12	133	106.38	5.9	1.45	GK37 GKF37 GKA37 GKAF37	4P	0.41	5398	3282	78	2.55	13	122	97.81	6.0	1.55			16	104	83.69	6.1	1.85			18	90	72.54	6.1	2.10			19	85	67.80	6.2	2.30			22	73	58.61	6.0	2.60	26	62	49.79	5.7	3.10			29	55	44.46	5.5	3.50			35	47	37.97	5.3	4.10			37	44	35.57	5.2	4.30			0.22	10019	6184	62	0.85	0.23	9173	5662	62	0.90			0.26	8324	5138			62	1.00	0.31	7064	4360			62	1.20	0.35	6174	3811	62	1.35	0.40	5440	3358	62	1.55	0.45	4823	2977	62	1.75	0.51	4209	2598	62	2.00	0.58	3704	2286	62	2.25	0.69	3141	1939	62	2.65	0.78	2775	1713	62	3.00	0.86	2519	1555	62	3.30	1.0	2164	1336	62	3.85	0.42	5152	3180	38	0.85	0.48	4465	2756	38	1.00	0.55	3919	2419	38	1.15	0.63	3439	2123	38	1.30	0.72	3007	1856	38	1.50	0.82	2633	1625	38	1.70	0.93	2317	1430	38	1.95	1.1	2043	1261	38	2.20	1.2	1785	1102	38	2.50	1.4	1550	957	38	2.90	1.6	1385	855	38	3.25	0.64	3380	2086	25	0.85	0.72	3004	1854	26	0.95	0.80	2686	1658	26	1.05	0.94	2292	1415	26	1.25	1.1	1991	1229	27	1.40	1.2	1746	1078	27	1.60	1.4	1541	951	27	1.85	1.6	1356	837	27	2.10	1.8	1176	726	27	2.40	2.1	1034	638	27	2.75																																																																																																																																																	
8.3	198	102.88	9.1	3.00			9.4	173	90.26	9.2	3.40			9.0	181	145.15	9.2	3.20	GK57 GKF57 GKA57 GKAF57	4P	0.23	9528	5793	77	1.45			11	154	123.85	9.3	3.70	12	135	108.29	9.3	4.30			13	128	102.88	9.3	4.50			15	113	90.26	9.4	5.10	17	95	76.56	9.4	6.00	6.4	253	131.87	7.0	1.55	GK47 GKF47 GKA47 GKAF47	6P	0.27	8099	4924	78	1.70			7.0	233	121.48	7.2	1.65	8.1	201	104.37	7.4	1.95			9.4	175	90.86	7.5	2.20			10	164	85.12	7.5	2.40	10	164	85.12	7.5	2.40	GK47 GKF47 GKA47 GKAF47	4P	0.31	7125	4332	78	1.95			11	151	121.48	7.6	2.50	13	130	104.37	7.7	2.90			14	113	90.86	7.7	3.40			15	106	85.12	7.7	3.60	8.0	204	106.38	5.2	0.95	GK37 GKF37 GKA37 GKAF37	6P	0.35	6339	3854	78	2.20			8.7	188	97.81	5.4	1.05	10	161	83.69	5.7	1.20			12	139	72.54	5.9	1.40			12	133	106.38	5.9	1.45	GK37 GKF37 GKA37 GKAF37	4P	0.41	5398	3282	78	2.55			13	122	97.81	6.0	1.55	16	104	83.69	6.1	1.85			18	90	72.54	6.1	2.10			19	85	67.80	6.2	2.30			22	73	58.61	6.0	2.60			26	62	49.79	5.7	3.10	29	55	44.46	5.5	3.50			35	47	37.97	5.3	4.10			37	44	35.57	5.2	4.30			0.22	10019	6184	62	0.85			0.23	9173	5662	62	0.90	0.26	8324	5138	62	1.00			0.31	7064	4360			62	1.20	0.35	6174	3811	62	1.35	0.40	5440	3358	62	1.55	0.45	4823	2977	62	1.75	0.51	4209	2598	62	2.00	0.58	3704	2286	62	2.25	0.69	3141	1939	62	2.65	0.78	2775	1713	62	3.00	0.86	2519	1555	62	3.30	1.0	2164	1336	62	3.85	0.42	5152	3180	38	0.85	0.48	4465	2756	38	1.00	0.55	3919	2419	38	1.15	0.63	3439	2123	38	1.30	0.72	3007	1856	38	1.50	0.82	2633	1625	38	1.70	0.93	2317	1430	38	1.95	1.1	2043	1261	38	2.20	1.2	1785	1102	38	2.50	1.4	1550	957	38	2.90	1.6	1385	855	38	3.25	0.64	3380	2086	25	0.85	0.72	3004	1854	26	0.95	0.80	2686	1658	26	1.05	0.94	2292	1415	26	1.25	1.1	1991	1229	27	1.40	1.2	1746	1078	27	1.60	1.4	1541	951	27	1.85	1.6	1356	837	27	2.10	1.8	1176	726	27	2.40	2.1	1034	638	27	2.75																																																																																																																																																								
9.4	173	90.26	9.2	3.40			9.0	181	145.15	9.2	3.20	GK57 GKF57 GKA57 GKAF57	4P	0.23	9528	5793	77	1.45			11	154	123.85	9.3	3.70			12	135	108.29	9.3	4.30	13	128	102.88	9.3	4.50			15	113	90.26	9.4	5.10	17	95	76.56	9.4	6.00	6.4	253	131.87	7.0	1.55	GK47 GKF47 GKA47 GKAF47	6P	0.27	8099	4924	78	1.70			7.0	233	121.48	7.2	1.65			8.1	201	104.37	7.4	1.95	9.4	175	90.86	7.5	2.20			10	164	85.12	7.5	2.40	10	164	85.12	7.5	2.40	GK47 GKF47 GKA47 GKAF47	4P	0.31	7125	4332	78	1.95			11	151	121.48	7.6	2.50			13	130	104.37	7.7	2.90	14	113	90.86	7.7	3.40			15	106	85.12	7.7	3.60	8.0	204	106.38	5.2	0.95	GK37 GKF37 GKA37 GKAF37	6P	0.35	6339	3854	78	2.20			8.7	188	97.81	5.4	1.05			10	161	83.69	5.7	1.20	12	139	72.54	5.9	1.40			12	133	106.38	5.9	1.45	GK37 GKF37 GKA37 GKAF37	4P	0.41	5398	3282	78	2.55			13	122	97.81	6.0	1.55			16	104	83.69	6.1	1.85	18	90	72.54	6.1	2.10			19	85	67.80	6.2	2.30			22	73	58.61	6.0	2.60			26	62	49.79	5.7	3.10			29	55	44.46	5.5	3.50	35	47	37.97	5.3	4.10			37	44	35.57	5.2	4.30			0.22	10019	6184	62	0.85			0.23	9173	5662	62	0.90			0.26	8324	5138	62	1.00	0.31	7064	4360	62	1.20			0.35	6174	3811	62	1.35	0.40	5440	3358	62	1.55	0.45	4823	2977	62	1.75	0.51	4209	2598	62	2.00	0.58	3704	2286	62	2.25	0.69	3141	1939	62	2.65	0.78	2775	1713	62	3.00	0.86	2519	1555	62	3.30	1.0	2164	1336	62	3.85	0.42	5152	3180	38	0.85	0.48	4465	2756	38	1.00	0.55	3919	2419	38	1.15	0.63	3439	2123	38	1.30	0.72	3007	1856	38	1.50	0.82	2633	1625	38	1.70	0.93	2317	1430	38	1.95	1.1	2043	1261	38	2.20	1.2	1785	1102	38	2.50	1.4	1550	957	38	2.90	1.6	1385	855	38	3.25	0.64	3380	2086	25	0.85	0.72	3004	1854	26	0.95	0.80	2686	1658	26	1.05	0.94	2292	1415	26	1.25	1.1	1991	1229	27	1.40	1.2	1746	1078	27	1.60	1.4	1541	951	27	1.85	1.6	1356	837	27	2.10	1.8	1176	726	27	2.40	2.1	1034	638	27	2.75																																																																																																																																																															
9.0	181	145.15	9.2	3.20	GK57 GKF57 GKA57 GKAF57	4P	0.23	9528	5793	77	1.45			11	154	123.85	9.3	3.70			12	135	108.29	9.3	4.30			13	128	102.88	9.3	4.50	15	113	90.26	9.4	5.10	17	95	76.56	9.4	6.00	6.4	253	131.87	7.0	1.55	GK47 GKF47 GKA47 GKAF47	6P	0.27	8099	4924	78	1.70			7.0	233	121.48	7.2	1.65			8.1	201	104.37	7.4	1.95			9.4	175	90.86	7.5	2.20	10	164	85.12	7.5	2.40	10	164	85.12	7.5	2.40	GK47 GKF47 GKA47 GKAF47	4P	0.31	7125	4332	78	1.95			11	151	121.48	7.6	2.50			13	130	104.37	7.7	2.90			14	113	90.86	7.7	3.40	15	106	85.12	7.7	3.60	8.0	204	106.38	5.2	0.95	GK37 GKF37 GKA37 GKAF37	6P	0.35	6339	3854	78	2.20			8.7	188	97.81	5.4	1.05			10	161	83.69	5.7	1.20			12	139	72.54	5.9	1.40	12	133	106.38	5.9	1.45	GK37 GKF37 GKA37 GKAF37	4P	0.41	5398	3282	78	2.55			13	122	97.81	6.0	1.55			16	104	83.69	6.1	1.85			18	90	72.54	6.1	2.10	19	85	67.80	6.2	2.30			22	73	58.61	6.0	2.60			26	62	49.79	5.7	3.10			29	55	44.46	5.5	3.50			35	47	37.97	5.3	4.10	37	44	35.57	5.2	4.30			0.22	10019	6184	62	0.85			0.23	9173	5662	62	0.90			0.26	8324	5138	62	1.00			0.31	7064	4360	62	1.20	0.35	6174	3811	62	1.35	0.40	5440	3358	62	1.55	0.45	4823	2977	62	1.75	0.51	4209	2598	62	2.00	0.58	3704	2286	62	2.25	0.69	3141	1939	62	2.65	0.78	2775	1713	62	3.00	0.86	2519	1555	62	3.30	1.0	2164	1336	62	3.85	0.42	5152	3180	38	0.85	0.48	4465	2756	38	1.00	0.55	3919	2419	38	1.15	0.63	3439	2123	38	1.30	0.72	3007	1856	38	1.50	0.82	2633	1625	38	1.70	0.93	2317	1430	38	1.95	1.1	2043	1261	38	2.20	1.2	1785	1102	38	2.50	1.4	1550	957	38	2.90	1.6	1385	855	38	3.25	0.64	3380	2086	25	0.85	0.72	3004	1854	26	0.95	0.80	2686	1658	26	1.05	0.94	2292	1415	26	1.25	1.1	1991	1229	27	1.40	1.2	1746	1078	27	1.60	1.4	1541	951	27	1.85	1.6	1356	837	27	2.10	1.8	1176	726	27	2.40	2.1	1034	638	27	2.75																																																																																																																																																																						
11	154	123.85	9.3	3.70			12	135	108.29	9.3	4.30			13	128	102.88	9.3	4.50			15	113	90.26	9.4	5.10	17	95	76.56	9.4	6.00	6.4	253	131.87	7.0	1.55	GK47 GKF47 GKA47 GKAF47	6P	0.27	8099	4924	78	1.70	7.0	233	121.48	7.2	1.65			8.1	201	104.37	7.4	1.95			9.4	175	90.86	7.5	2.20			10	164	85.12	7.5	2.40	10	164	85.12	7.5	2.40	GK47 GKF47 GKA47 GKAF47	4P	0.31	7125	4332	78	1.95	11	151	121.48	7.6	2.50			13	130	104.37	7.7	2.90			14	113	90.86	7.7	3.40			15	106	85.12	7.7	3.60	8.0	204	106.38	5.2	0.95	GK37 GKF37 GKA37 GKAF37	6P	0.35	6339	3854	78	2.20	8.7	188	97.81	5.4	1.05			10	161	83.69	5.7	1.20			12	139	72.54	5.9	1.40			12	133	106.38	5.9	1.45	GK37 GKF37 GKA37 GKAF37	4P	0.41	5398	3282	78	2.55	13	122	97.81	6.0	1.55			16	104	83.69	6.1	1.85			18	90	72.54	6.1	2.10			19	85	67.80	6.2	2.30			22	73	58.61	6.0	2.60	26	62	49.79	5.7	3.10			29	55	44.46	5.5	3.50			35	47	37.97	5.3	4.10			37	44	35.57	5.2	4.30			0.22	10019	6184	62	0.85	0.23	9173	5662	62	0.90			0.26	8324	5138	62	1.00			0.31	7064	4360	62	1.20			0.35	6174	3811	62	1.35	0.40	5440	3358	62	1.55	0.45	4823	2977	62	1.75	0.51	4209	2598	62	2.00	0.58	3704	2286	62	2.25	0.69	3141	1939	62	2.65	0.78	2775	1713	62	3.00	0.86	2519	1555	62	3.30	1.0	2164	1336	62	3.85	0.42	5152	3180	38	0.85	0.48	4465	2756	38	1.00	0.55	3919	2419	38	1.15	0.63	3439	2123	38	1.30	0.72	3007	1856	38	1.50	0.82	2633	1625	38	1.70	0.93	2317	1430	38	1.95	1.1	2043	1261	38	2.20	1.2	1785	1102	38	2.50	1.4	1550	957	38	2.90	1.6	1385	855	38	3.25	0.64	3380	2086	25	0.85	0.72	3004	1854	26	0.95	0.80	2686	1658	26	1.05	0.94	2292	1415	26	1.25	1.1	1991	1229	27	1.40	1.2	1746	1078	27	1.60	1.4	1541	951	27	1.85	1.6	1356	837	27	2.10	1.8	1176	726	27	2.40	2.1	1034	638	27	2.75																																																																																																																																																																																		
12	135	108.29	9.3	4.30			13	128	102.88	9.3	4.50			15	113	90.26	9.4	5.10	17	95	76.56	9.4	6.00	6.4	253	131.87	7.0	1.55	GK47 GKF47 GKA47 GKAF47	6P	0.27	8099	4924	78	1.70			7.0	233	121.48	7.2	1.65	8.1	201	104.37	7.4	1.95			9.4	175	90.86	7.5	2.20			10	164	85.12	7.5	2.40	10	164	85.12	7.5	2.40	GK47 GKF47 GKA47 GKAF47	4P	0.31	7125	4332	78	1.95			11	151	121.48	7.6	2.50	13	130	104.37	7.7	2.90			14	113	90.86	7.7	3.40			15	106	85.12	7.7	3.60	8.0	204	106.38	5.2	0.95	GK37 GKF37 GKA37 GKAF37	6P	0.35	6339	3854	78	2.20			8.7	188	97.81	5.4	1.05	10	161	83.69	5.7	1.20			12	139	72.54	5.9	1.40			12	133	106.38	5.9	1.45	GK37 GKF37 GKA37 GKAF37	4P	0.41	5398	3282	78	2.55			13	122	97.81	6.0	1.55	16	104	83.69	6.1	1.85			18	90	72.54	6.1	2.10			19	85	67.80	6.2	2.30			22	73	58.61	6.0	2.60			26	62	49.79	5.7	3.10	29	55	44.46	5.5	3.50			35	47	37.97	5.3	4.10			37	44	35.57	5.2	4.30			0.22	10019	6184	62	0.85			0.23	9173	5662	62	0.90	0.26	8324	5138	62	1.00			0.31	7064	4360	62	1.20			0.35	6174	3811	62	1.35	0.40	5440	3358	62	1.55	0.45	4823	2977	62	1.75	0.51	4209	2598	62	2.00	0.58	3704	2286	62	2.25	0.69	3141	1939	62	2.65	0.78	2775	1713	62	3.00	0.86	2519	1555	62	3.30	1.0	2164	1336	62	3.85	0.42	5152	3180	38	0.85	0.48	4465	2756	38	1.00	0.55	3919	2419	38	1.15	0.63	3439	2123	38	1.30	0.72	3007	1856	38	1.50	0.82	2633	1625	38	1.70	0.93	2317	1430	38	1.95	1.1	2043	1261	38	2.20	1.2	1785	1102	38	2.50	1.4	1550	957	38	2.90	1.6	1385	855	38	3.25	0.64	3380	2086	25	0.85	0.72	3004	1854	26	0.95	0.80	2686	1658	26	1.05	0.94	2292	1415	26	1.25	1.1	1991	1229	27	1.40	1.2	1746	1078	27	1.60	1.4	1541	951	27	1.85	1.6	1356	837	27	2.10	1.8	1176	726	27	2.40	2.1	1034	638	27	2.75																																																																																																																																																																																									
13	128	102.88	9.3	4.50			15	113	90.26	9.4	5.10	17	95	76.56	9.4	6.00	6.4	253	131.87	7.0	1.55	GK47 GKF47 GKA47 GKAF47	6P	0.27	8099	4924	78	1.70			7.0	233	121.48	7.2	1.65			8.1	201	104.37	7.4	1.95	9.4	175	90.86	7.5	2.20			10	164	85.12	7.5	2.40	10	164	85.12	7.5	2.40	GK47 GKF47 GKA47 GKAF47	4P	0.31	7125	4332	78	1.95			11	151	121.48	7.6	2.50			13	130	104.37	7.7	2.90	14	113	90.86	7.7	3.40			15	106	85.12	7.7	3.60	8.0	204	106.38	5.2	0.95	GK37 GKF37 GKA37 GKAF37	6P	0.35	6339	3854	78	2.20			8.7	188	97.81	5.4	1.05			10	161	83.69	5.7	1.20	12	139	72.54	5.9	1.40			12	133	106.38	5.9	1.45	GK37 GKF37 GKA37 GKAF37	4P	0.41	5398	3282	78	2.55			13	122	97.81	6.0	1.55			16	104	83.69	6.1	1.85	18	90	72.54	6.1	2.10			19	85	67.80	6.2	2.30			22	73	58.61	6.0	2.60			26	62	49.79	5.7	3.10			29	55	44.46	5.5	3.50	35	47	37.97	5.3	4.10			37	44	35.57	5.2	4.30			0.22	10019	6184	62	0.85			0.23	9173	5662	62	0.90			0.26	8324	5138	62	1.00	0.31	7064	4360	62	1.20			0.35	6174	3811	62	1.35	0.40	5440	3358	62	1.55	0.45	4823	2977	62	1.75	0.51	4209	2598	62	2.00	0.58	3704	2286	62	2.25	0.69	3141	1939	62	2.65	0.78	2775	1713	62	3.00	0.86	2519	1555	62	3.30	1.0	2164	1336	62	3.85	0.42	5152	3180	38	0.85	0.48	4465	2756	38	1.00	0.55	3919	2419	38	1.15	0.63	3439	2123	38	1.30	0.72	3007	1856	38	1.50	0.82	2633	1625	38	1.70	0.93	2317	1430	38	1.95	1.1	2043	1261	38	2.20	1.2	1785	1102	38	2.50	1.4	1550	957	38	2.90	1.6	1385	855	38	3.25	0.64	3380	2086	25	0.85	0.72	3004	1854	26	0.95	0.80	2686	1658	26	1.05	0.94	2292	1415	26	1.25	1.1	1991	1229	27	1.40	1.2	1746	1078	27	1.60	1.4	1541	951	27	1.85	1.6	1356	837	27	2.10	1.8	1176	726	27	2.40	2.1	1034	638	27	2.75																																																																																																																																																																																																
15	113	90.26	9.4	5.10	17	95	76.56	9.4	6.00	6.4	253	131.87	7.0	1.55	GK47 GKF47 GKA47 GKAF47	6P	0.27	8099	4924	78	1.70			7.0	233	121.48	7.2	1.65			8.1	201	104.37	7.4	1.95			9.4	175	90.86	7.5	2.20	10	164	85.12	7.5	2.40	10	164	85.12	7.5	2.40	GK47 GKF47 GKA47 GKAF47	4P	0.31	7125	4332	78	1.95			11	151	121.48	7.6	2.50			13	130	104.37	7.7	2.90			14	113	90.86	7.7	3.40	15	106	85.12	7.7	3.60	8.0	204	106.38	5.2	0.95	GK37 GKF37 GKA37 GKAF37	6P	0.35	6339	3854	78	2.20			8.7	188	97.81	5.4	1.05			10	161	83.69	5.7	1.20			12	139	72.54	5.9	1.40	12	133	106.38	5.9	1.45	GK37 GKF37 GKA37 GKAF37	4P	0.41	5398	3282	78	2.55			13	122	97.81	6.0	1.55			16	104	83.69	6.1	1.85			18	90	72.54	6.1	2.10	19	85	67.80	6.2	2.30			22	73	58.61	6.0	2.60			26	62	49.79	5.7	3.10			29	55	44.46	5.5	3.50			35	47	37.97	5.3	4.10	37	44	35.57	5.2	4.30			0.22	10019	6184	62	0.85			0.23	9173	5662	62	0.90			0.26	8324	5138	62	1.00			0.31	7064	4360	62	1.20	0.35	6174	3811	62	1.35	0.40	5440	3358	62	1.55	0.45	4823	2977	62	1.75	0.51	4209	2598	62	2.00	0.58	3704	2286	62	2.25	0.69	3141	1939	62	2.65	0.78	2775	1713	62	3.00	0.86	2519	1555	62	3.30	1.0	2164	1336	62	3.85	0.42	5152	3180	38	0.85	0.48	4465	2756	38	1.00	0.55	3919	2419	38	1.15	0.63	3439	2123	38	1.30	0.72	3007	1856	38	1.50	0.82	2633	1625	38	1.70	0.93	2317	1430	38	1.95	1.1	2043	1261	38	2.20	1.2	1785	1102	38	2.50	1.4	1550	957	38	2.90	1.6	1385	855	38	3.25	0.64	3380	2086	25	0.85	0.72	3004	1854	26	0.95	0.80	2686	1658	26	1.05	0.94	2292	1415	26	1.25	1.1	1991	1229	27	1.40	1.2	1746	1078	27	1.60	1.4	1541	951	27	1.85	1.6	1356	837	27	2.10	1.8	1176	726	27	2.40	2.1	1034	638	27	2.75																																																																																																																																																																																																							
17	95	76.56	9.4	6.00	6.4	253	131.87	7.0	1.55	GK47 GKF47 GKA47 GKAF47	6P	0.27	8099	4924			78	1.70	7.0	233	121.48			7.2	1.65	8.1	201	104.37			7.4	1.95	9.4	175	90.86	7.5	2.20	10	164	85.12	7.5	2.40	10	164	85.12	7.5	2.40	GK47 GKF47 GKA47 GKAF47	4P	0.31	7125	4332			78	1.95	11	151	121.48			7.6	2.50	13	130	104.37			7.7	2.90	14	113	90.86	7.7	3.40	15	106	85.12	7.7	3.60	8.0	204	106.38	5.2	0.95	GK37 GKF37 GKA37 GKAF37	6P	0.35	6339	3854			78	2.20	8.7	188	97.81			5.4	1.05	10	161	83.69			5.7	1.20	12	139	72.54	5.9	1.40	12	133	106.38	5.9	1.45	GK37 GKF37 GKA37 GKAF37	4P	0.41	5398	3282			78	2.55	13	122	97.81			6.0	1.55	16	104	83.69			6.1	1.85	18	90	72.54			6.1	2.10	19	85	67.80	6.2	2.30	22	73	58.61			6.0	2.60	26	62	49.79			5.7	3.10	29	55	44.46			5.5	3.50	35	47	37.97			5.3	4.10	37	44	35.57	5.2	4.30	0.22	10019	6184			62	0.85	0.23	9173	5662			62	0.90	0.26	8324	5138			62	1.00	0.31	7064	4360	62	1.20	0.35	6174	3811	62	1.35	0.40	5440	3358	62	1.55	0.45	4823	2977	62	1.75	0.51	4209	2598	62	2.00	0.58	3704	2286	62	2.25	0.69	3141	1939	62	2.65	0.78	2775	1713	62	3.00	0.86	2519	1555	62	3.30	1.0	2164	1336	62	3.85	0.42	5152	3180	38	0.85	0.48	4465	2756	38	1.00	0.55	3919	2419	38	1.15	0.63	3439	2123	38	1.30	0.72	3007	1856	38	1.50	0.82	2633	1625	38	1.70	0.93	2317	1430	38	1.95	1.1	2043	1261	38	2.20	1.2	1785	1102	38	2.50	1.4	1550	957	38	2.90	1.6	1385	855	38	3.25	0.64	3380	2086	25	0.85	0.72	3004	1854	26	0.95	0.80	2686	1658	26	1.05	0.94	2292	1415	26	1.25	1.1	1991	1229	27	1.40	1.2	1746	1078	27	1.60	1.4	1541	951	27	1.85	1.6	1356	837	27	2.10	1.8	1176	726	27	2.40	2.1	1034	638	27	2.75																																																																																																																																																																																																												
6.4	253	131.87	7.0	1.55	GK47 GKF47 GKA47 GKAF47	6P	0.27	8099	4924			78	1.70	7.0			233	121.48	7.2	1.65	8.1			201	104.37	7.4	1.95	9.4	175	90.86	7.5	2.20	10	164	85.12	7.5	2.40	10	164	85.12	7.5	2.40	GK47 GKF47 GKA47 GKAF47	4P	0.31	7125	4332			78	1.95	11			151	121.48	7.6	2.50	13			130	104.37	7.7	2.90	14	113	90.86	7.7	3.40	15	106	85.12	7.7	3.60	8.0	204	106.38	5.2	0.95	GK37 GKF37 GKA37 GKAF37	6P	0.35	6339	3854			78	2.20	8.7			188	97.81	5.4	1.05	10			161	83.69	5.7	1.20	12	139	72.54	5.9	1.40	12	133	106.38	5.9	1.45	GK37 GKF37 GKA37 GKAF37	4P	0.41	5398	3282			78	2.55	13			122	97.81	6.0	1.55	16			104	83.69	6.1	1.85	18			90	72.54	6.1	2.10	19			85	67.80	6.2	2.30	22	73	58.61	6.0	2.60	26			62	49.79	5.7	3.10	29			55	44.46	5.5	3.50	35			47	37.97	5.3	4.10	37			44	35.57	5.2	4.30	0.22	10019	6184	62	0.85	0.23			9173	5662	62	0.90	0.26			8324	5138	62	1.00	0.31	7064	4360	62	1.20	0.35	6174	3811	62	1.35	0.40	5440	3358	62	1.55	0.45	4823	2977	62	1.75	0.51	4209	2598	62	2.00	0.58	3704	2286	62	2.25	0.69	3141	1939	62	2.65	0.78	2775	1713	62	3.00	0.86	2519	1555	62	3.30	1.0	2164	1336	62	3.85	0.42	5152	3180	38	0.85	0.48	4465	2756	38	1.00	0.55	3919	2419	38	1.15	0.63	3439	2123	38	1.30	0.72	3007	1856	38	1.50	0.82	2633	1625	38	1.70	0.93	2317	1430	38	1.95	1.1	2043	1261	38	2.20	1.2	1785	1102	38	2.50	1.4	1550	957	38	2.90	1.6	1385	855	38	3.25	0.64	3380	2086	25	0.85	0.72	3004	1854	26	0.95	0.80	2686	1658	26	1.05	0.94	2292	1415	26	1.25	1.1	1991	1229	27	1.40	1.2	1746	1078	27	1.60	1.4	1541	951	27	1.85	1.6	1356	837	27	2.10	1.8	1176	726	27	2.40	2.1	1034	638	27	2.75																																																																																																																																																																																																																	
7.0	233	121.48	7.2	1.65			8.1	201	104.37			7.4	1.95	9.4			175	90.86	7.5	2.20	10	164	85.12	7.5	2.40	10	164	85.12	7.5	2.40	GK47 GKF47 GKA47 GKAF47	4P	0.31	7125	4332	78	1.95	11	151	121.48	7.6	2.50			13	130	104.37			7.7	2.90	14			113	90.86	7.7	3.40	15	106	85.12	7.7	3.60	8.0	204	106.38	5.2	0.95	GK37 GKF37 GKA37 GKAF37	6P	0.35	6339	3854	78	2.20	8.7	188	97.81	5.4	1.05			10	161	83.69			5.7	1.20	12			139	72.54	5.9	1.40	12	133	106.38	5.9	1.45	GK37 GKF37 GKA37 GKAF37	4P	0.41	5398	3282	78	2.55	13	122	97.81	6.0	1.55			16	104	83.69			6.1	1.85	18			90	72.54	6.1	2.10	19			85	67.80	6.2	2.30	22			73	58.61	6.0	2.60	26			62	49.79	5.7	3.10	29	55	44.46	5.5	3.50	35			47	37.97	5.3	4.10	37			44	35.57	5.2	4.30	0.22			10019	6184	62	0.85	0.23			9173	5662	62	0.90	0.26	8324	5138	62	1.00	0.31			7064	4360	62	1.20	0.35	6174	3811	62	1.35	0.40	5440	3358	62	1.55	0.45	4823	2977	62	1.75	0.51	4209	2598	62	2.00	0.58	3704	2286	62	2.25	0.69	3141	1939	62	2.65	0.78	2775	1713	62	3.00	0.86	2519	1555	62	3.30	1.0	2164	1336	62	3.85	0.42	5152	3180	38	0.85	0.48	4465	2756	38	1.00	0.55	3919	2419	38	1.15	0.63	3439	2123	38	1.30	0.72	3007	1856	38	1.50	0.82	2633	1625	38	1.70	0.93	2317	1430	38	1.95	1.1	2043	1261	38	2.20	1.2	1785	1102	38	2.50	1.4	1550	957	38	2.90	1.6	1385	855	38	3.25	0.64	3380	2086	25	0.85	0.72	3004	1854	26	0.95	0.80	2686	1658	26	1.05	0.94	2292	1415	26	1.25	1.1	1991	1229	27	1.40	1.2	1746	1078	27	1.60	1.4	1541	951	27	1.85	1.6	1356	837	27	2.10	1.8	1176	726	27	2.40	2.1	1034	638	27	2.75																																																																																																																																																																																																																													
8.1	201	104.37	7.4	1.95			9.4	175	90.86			7.5	2.20	10	164	85.12	7.5	2.40	10	164	85.12	7.5	2.40	GK47 GKF47 GKA47 GKAF47	4P	0.31	7125	4332	78	1.95			11	151	121.48	7.6	2.50	13	130	104.37	7.7	2.90			14	113	90.86			7.7	3.40	15	106	85.12	7.7	3.60	8.0	204	106.38	5.2	0.95	GK37 GKF37 GKA37 GKAF37	6P	0.35	6339	3854	78	2.20			8.7	188	97.81	5.4	1.05	10	161	83.69	5.7	1.20			12	139	72.54			5.9	1.40	12	133	106.38	5.9	1.45	GK37 GKF37 GKA37 GKAF37	4P	0.41	5398	3282	78	2.55			13	122	97.81	6.0	1.55	16	104	83.69	6.1	1.85			18	90	72.54			6.1	2.10	19			85	67.80	6.2	2.30	22			73	58.61	6.0	2.60	26			62	49.79	5.7	3.10	29			55	44.46	5.5	3.50	35	47	37.97	5.3	4.10	37			44	35.57	5.2	4.30	0.22			10019	6184	62	0.85	0.23			9173	5662	62	0.90	0.26			8324	5138	62	1.00	0.31	7064	4360	62	1.20	0.35	6174	3811	62	1.35	0.40	5440	3358	62	1.55	0.45	4823	2977	62	1.75	0.51	4209	2598	62	2.00	0.58	3704	2286	62	2.25	0.69	3141	1939	62	2.65	0.78	2775	1713	62	3.00	0.86	2519	1555	62	3.30	1.0	2164	1336	62	3.85	0.42	5152	3180	38	0.85	0.48	4465	2756	38	1.00	0.55	3919	2419	38	1.15	0.63	3439	2123	38	1.30	0.72	3007	1856	38	1.50	0.82	2633	1625	38	1.70	0.93	2317	1430	38	1.95	1.1	2043	1261	38	2.20	1.2	1785	1102	38	2.50	1.4	1550	957	38	2.90	1.6	1385	855	38	3.25	0.64	3380	2086	25	0.85	0.72	3004	1854	26	0.95	0.80	2686	1658	26	1.05	0.94	2292	1415	26	1.25	1.1	1991	1229	27	1.40	1.2	1746	1078	27	1.60	1.4	1541	951	27	1.85	1.6	1356	837	27	2.10	1.8	1176	726	27	2.40	2.1	1034	638	27	2.75																																																																																																																																																																																																																																				
9.4	175	90.86	7.5	2.20			10	164	85.12	7.5	2.40	10	164	85.12	7.5	2.40	GK47 GKF47 GKA47 GKAF47	4P	0.31	7125	4332	78	1.95			11	151	121.48	7.6	2.50			13	130	104.37	7.7	2.90	14	113	90.86	7.7	3.40			15	106	85.12	7.7	3.60	8.0	204	106.38	5.2	0.95	GK37 GKF37 GKA37 GKAF37	6P	0.35	6339	3854	78	2.20			8.7	188	97.81	5.4	1.05			10	161	83.69	5.7	1.20	12	139	72.54	5.9	1.40			12	133	106.38	5.9	1.45	GK37 GKF37 GKA37 GKAF37	4P	0.41	5398	3282	78	2.55			13	122	97.81	6.0	1.55			16	104	83.69	6.1	1.85	18	90	72.54	6.1	2.10			19	85	67.80			6.2	2.30	22			73	58.61	6.0	2.60	26			62	49.79	5.7	3.10	29			55	44.46	5.5	3.50	35			47	37.97	5.3	4.10	37	44	35.57	5.2	4.30	0.22			10019	6184	62	0.85	0.23			9173	5662	62	0.90	0.26			8324	5138	62	1.00	0.31	7064	4360	62	1.20	0.35	6174	3811	62	1.35	0.40	5440	3358	62	1.55	0.45	4823	2977	62	1.75	0.51	4209	2598	62	2.00	0.58	3704	2286	62	2.25	0.69	3141	1939	62	2.65	0.78	2775	1713	62	3.00	0.86	2519	1555	62	3.30	1.0	2164	1336	62	3.85	0.42	5152	3180	38	0.85	0.48	4465	2756	38	1.00	0.55	3919	2419	38	1.15	0.63	3439	2123	38	1.30	0.72	3007	1856	38	1.50	0.82	2633	1625	38	1.70	0.93	2317	1430	38	1.95	1.1	2043	1261	38	2.20	1.2	1785	1102	38	2.50	1.4	1550	957	38	2.90	1.6	1385	855	38	3.25	0.64	3380	2086	25	0.85	0.72	3004	1854	26	0.95	0.80	2686	1658	26	1.05	0.94	2292	1415	26	1.25	1.1	1991	1229	27	1.40	1.2	1746	1078	27	1.60	1.4	1541	951	27	1.85	1.6	1356	837	27	2.10	1.8	1176	726	27	2.40	2.1	1034	638	27	2.75																																																																																																																																																																																																																																											
10	164	85.12	7.5	2.40	10	164	85.12	7.5	2.40	GK47 GKF47 GKA47 GKAF47	4P	0.31	7125	4332	78	1.95			11	151	121.48	7.6	2.50			13	130	104.37	7.7	2.90			14	113	90.86	7.7	3.40	15	106	85.12	7.7	3.60	8.0	204	106.38	5.2	0.95	GK37 GKF37 GKA37 GKAF37	6P	0.35	6339	3854	78	2.20			8.7	188	97.81	5.4	1.05			10	161	83.69	5.7	1.20			12	139	72.54	5.9	1.40	12	133	106.38	5.9	1.45	GK37 GKF37 GKA37 GKAF37	4P	0.41	5398	3282	78	2.55			13	122	97.81	6.0	1.55			16	104	83.69	6.1	1.85			18	90	72.54	6.1	2.10	19	85	67.80	6.2	2.30			22	73	58.61			6.0	2.60	26			62	49.79	5.7	3.10	29			55	44.46	5.5	3.50	35			47	37.97	5.3	4.10	37			44	35.57	5.2	4.30	0.22	10019	6184	62	0.85	0.23			9173	5662	62	0.90	0.26			8324	5138	62	1.00	0.31	7064	4360	62	1.20	0.35	6174	3811	62	1.35	0.40	5440	3358	62	1.55	0.45	4823	2977	62	1.75	0.51	4209	2598	62	2.00	0.58	3704	2286	62	2.25	0.69	3141	1939	62	2.65	0.78	2775	1713	62	3.00	0.86	2519	1555	62	3.30	1.0	2164	1336	62	3.85	0.42	5152	3180	38	0.85	0.48	4465	2756	38	1.00	0.55	3919	2419	38	1.15	0.63	3439	2123	38	1.30	0.72	3007	1856	38	1.50	0.82	2633	1625	38	1.70	0.93	2317	1430	38	1.95	1.1	2043	1261	38	2.20	1.2	1785	1102	38	2.50	1.4	1550	957	38	2.90	1.6	1385	855	38	3.25	0.64	3380	2086	25	0.85	0.72	3004	1854	26	0.95	0.80	2686	1658	26	1.05	0.94	2292	1415	26	1.25	1.1	1991	1229	27	1.40	1.2	1746	1078	27	1.60	1.4	1541	951	27	1.85	1.6	1356	837	27	2.10	1.8	1176	726	27	2.40	2.1	1034	638	27	2.75																																																																																																																																																																																																																																																		
10	164	85.12	7.5	2.40	GK47 GKF47 GKA47 GKAF47	4P	0.31	7125	4332			78	1.95	11	151	121.48			7.6	2.50	13	130	104.37			7.7	2.90	14	113	90.86	7.7	3.40	15	106	85.12	7.7	3.60	8.0	204	106.38	5.2	0.95	GK37 GKF37 GKA37 GKAF37	6P	0.35	6339	3854			78	2.20	8.7	188	97.81			5.4	1.05	10	161	83.69			5.7	1.20	12	139	72.54	5.9	1.40	12	133	106.38	5.9	1.45	GK37 GKF37 GKA37 GKAF37	4P	0.41	5398	3282			78	2.55	13	122	97.81			6.0	1.55	16	104	83.69			6.1	1.85	18	90	72.54			6.1	2.10	19	85	67.80	6.2	2.30	22	73	58.61			6.0	2.60	26			62	49.79	5.7			3.10	29	55	44.46	5.5			3.50	35	47	37.97	5.3			4.10	37	44	35.57	5.2			4.30	0.22	10019	6184	62	0.85	0.23	9173	5662	62			0.90	0.26	8324	5138	62	1.00	0.31	7064	4360	62	1.20	0.35	6174	3811	62	1.35	0.40	5440	3358	62	1.55	0.45	4823	2977	62	1.75	0.51	4209	2598	62	2.00	0.58	3704	2286	62	2.25	0.69	3141	1939	62	2.65	0.78	2775	1713	62	3.00	0.86	2519	1555	62	3.30	1.0	2164	1336	62	3.85	0.42	5152	3180	38	0.85	0.48	4465	2756	38	1.00	0.55	3919	2419	38	1.15	0.63	3439	2123	38	1.30	0.72	3007	1856	38	1.50	0.82	2633	1625	38	1.70	0.93	2317	1430	38	1.95	1.1	2043	1261	38	2.20	1.2	1785	1102	38	2.50	1.4	1550	957	38	2.90	1.6	1385	855	38	3.25	0.64	3380	2086	25	0.85	0.72	3004	1854	26	0.95	0.80	2686	1658	26	1.05	0.94	2292	1415	26	1.25	1.1	1991	1229	27	1.40	1.2	1746	1078	27	1.60	1.4	1541	951	27	1.85	1.6	1356	837	27	2.10	1.8	1176	726	27	2.40	2.1	1034	638	27	2.75																																																																																																																																																																																																																																																							
11	151	121.48	7.6	2.50			13	130	104.37			7.7	2.90	14	113	90.86			7.7	3.40	15	106	85.12	7.7	3.60	8.0	204	106.38	5.2	0.95	GK37 GKF37 GKA37 GKAF37	6P	0.35	6339	3854	78	2.20	8.7	188	97.81	5.4	1.05			10	161	83.69			5.7	1.20	12	139	72.54			5.9	1.40	12	133	106.38	5.9	1.45	GK37 GKF37 GKA37 GKAF37	4P	0.41	5398	3282	78	2.55	13	122	97.81	6.0	1.55			16	104	83.69			6.1	1.85	18	90	72.54			6.1	2.10	19	85	67.80			6.2	2.30	22	73	58.61			6.0	2.60	26	62	49.79	5.7	3.10	29	55	44.46			5.5	3.50	35			47	37.97	5.3			4.10	37	44	35.57	5.2			4.30	0.22	10019	6184	62			0.85	0.23	9173	5662	62			0.90	0.26	8324	5138	62	1.00	0.31	7064	4360	62	1.20	0.35	6174	3811	62	1.35	0.40	5440	3358	62	1.55	0.45	4823	2977	62	1.75	0.51	4209	2598	62	2.00	0.58	3704	2286	62	2.25	0.69	3141	1939	62	2.65	0.78	2775	1713	62	3.00	0.86	2519	1555	62	3.30	1.0	2164	1336	62	3.85	0.42	5152	3180	38	0.85	0.48	4465	2756	38	1.00	0.55	3919	2419	38	1.15	0.63	3439	2123	38	1.30	0.72	3007	1856	38	1.50	0.82	2633	1625	38	1.70	0.93	2317	1430	38	1.95	1.1	2043	1261	38	2.20	1.2	1785	1102	38	2.50	1.4	1550	957	38	2.90	1.6	1385	855	38	3.25	0.64	3380	2086	25	0.85	0.72	3004	1854	26	0.95	0.80	2686	1658	26	1.05	0.94	2292	1415	26	1.25	1.1	1991	1229	27	1.40	1.2	1746	1078	27	1.60	1.4	1541	951	27	1.85	1.6	1356	837	27	2.10	1.8	1176	726	27	2.40	2.1	1034	638	27	2.75																																																																																																																																																																																																																																																																			
13	130	104.37	7.7	2.90			14	113	90.86			7.7	3.40	15	106	85.12	7.7	3.60	8.0	204	106.38	5.2	0.95	GK37 GKF37 GKA37 GKAF37	6P	0.35	6339	3854	78	2.20			8.7	188	97.81	5.4	1.05	10	161	83.69	5.7	1.20			12	139	72.54			5.9	1.40	12	133	106.38	5.9	1.45	GK37 GKF37 GKA37 GKAF37	4P	0.41	5398	3282	78	2.55			13	122	97.81	6.0	1.55	16	104	83.69	6.1	1.85			18	90	72.54			6.1	2.10	19	85	67.80			6.2	2.30	22	73	58.61			6.0	2.60	26	62	49.79			5.7	3.10	29	55	44.46	5.5	3.50	35	47	37.97			5.3	4.10	37			44	35.57	5.2			4.30	0.22	10019	6184	62			0.85	0.23	9173	5662	62			0.90	0.26	8324	5138	62	1.00	0.31	7064	4360	62	1.20	0.35	6174	3811	62	1.35	0.40	5440	3358	62	1.55	0.45	4823	2977	62	1.75	0.51	4209	2598	62	2.00	0.58	3704	2286	62	2.25	0.69	3141	1939	62	2.65	0.78	2775	1713	62	3.00	0.86	2519	1555	62	3.30	1.0	2164	1336	62	3.85	0.42	5152	3180	38	0.85	0.48	4465	2756	38	1.00	0.55	3919	2419	38	1.15	0.63	3439	2123	38	1.30	0.72	3007	1856	38	1.50	0.82	2633	1625	38	1.70	0.93	2317	1430	38	1.95	1.1	2043	1261	38	2.20	1.2	1785	1102	38	2.50	1.4	1550	957	38	2.90	1.6	1385	855	38	3.25	0.64	3380	2086	25	0.85	0.72	3004	1854	26	0.95	0.80	2686	1658	26	1.05	0.94	2292	1415	26	1.25	1.1	1991	1229	27	1.40	1.2	1746	1078	27	1.60	1.4	1541	951	27	1.85	1.6	1356	837	27	2.10	1.8	1176	726	27	2.40	2.1	1034	638	27	2.75																																																																																																																																																																																																																																																																										
14	113	90.86	7.7	3.40			15	106	85.12	7.7	3.60	8.0	204	106.38	5.2	0.95	GK37 GKF37 GKA37 GKAF37	6P	0.35	6339	3854	78	2.20			8.7	188	97.81	5.4	1.05			10	161	83.69	5.7	1.20	12	139	72.54	5.9	1.40			12	133	106.38	5.9	1.45	GK37 GKF37 GKA37 GKAF37	4P	0.41	5398	3282	78	2.55			13	122	97.81	6.0	1.55			16	104	83.69	6.1	1.85	18	90	72.54	6.1	2.10			19	85	67.80			6.2	2.30	22	73	58.61			6.0	2.60	26	62	49.79			5.7	3.10	29	55	44.46			5.5	3.50	35	47	37.97	5.3	4.10	37	44	35.57			5.2	4.30	0.22			10019	6184	62			0.85	0.23	9173	5662	62			0.90	0.26	8324	5138	62	1.00	0.31	7064	4360	62	1.20	0.35	6174	3811	62	1.35	0.40	5440	3358	62	1.55	0.45	4823	2977	62	1.75	0.51	4209	2598	62	2.00	0.58	3704	2286	62	2.25	0.69	3141	1939	62	2.65	0.78	2775	1713	62	3.00	0.86	2519	1555	62	3.30	1.0	2164	1336	62	3.85	0.42	5152	3180	38	0.85	0.48	4465	2756	38	1.00	0.55	3919	2419	38	1.15	0.63	3439	2123	38	1.30	0.72	3007	1856	38	1.50	0.82	2633	1625	38	1.70	0.93	2317	1430	38	1.95	1.1	2043	1261	38	2.20	1.2	1785	1102	38	2.50	1.4	1550	957	38	2.90	1.6	1385	855	38	3.25	0.64	3380	2086	25	0.85	0.72	3004	1854	26	0.95	0.80	2686	1658	26	1.05	0.94	2292	1415	26	1.25	1.1	1991	1229	27	1.40	1.2	1746	1078	27	1.60	1.4	1541	951	27	1.85	1.6	1356	837	27	2.10	1.8	1176	726	27	2.40	2.1	1034	638	27	2.75																																																																																																																																																																																																																																																																																	
15	106	85.12	7.7	3.60	8.0	204	106.38	5.2	0.95	GK37 GKF37 GKA37 GKAF37	6P	0.35	6339	3854	78	2.20			8.7	188	97.81	5.4	1.05			10	161	83.69	5.7	1.20			12	139	72.54	5.9	1.40	12	133	106.38	5.9	1.45	GK37 GKF37 GKA37 GKAF37	4P	0.41	5398	3282	78	2.55			13	122	97.81	6.0	1.55			16	104	83.69	6.1	1.85			18	90	72.54	6.1	2.10	19	85	67.80	6.2	2.30			22	73	58.61			6.0	2.60	26	62	49.79			5.7	3.10	29	55	44.46			5.5	3.50	35	47	37.97			5.3	4.10	37	44	35.57	5.2	4.30	0.22	10019	6184			62	0.85	0.23			9173	5662	62			0.90	0.26	8324	5138	62	1.00	0.31	7064	4360	62	1.20	0.35	6174	3811	62	1.35	0.40	5440	3358	62	1.55	0.45	4823	2977	62	1.75	0.51	4209	2598	62	2.00	0.58	3704	2286	62	2.25	0.69	3141	1939	62	2.65	0.78	2775	1713	62	3.00	0.86	2519	1555	62	3.30	1.0	2164	1336	62	3.85	0.42	5152	3180	38	0.85	0.48	4465	2756	38	1.00	0.55	3919	2419	38	1.15	0.63	3439	2123	38	1.30	0.72	3007	1856	38	1.50	0.82	2633	1625	38	1.70	0.93	2317	1430	38	1.95	1.1	2043	1261	38	2.20	1.2	1785	1102	38	2.50	1.4	1550	957	38	2.90	1.6	1385	855	38	3.25	0.64	3380	2086	25	0.85	0.72	3004	1854	26	0.95	0.80	2686	1658	26	1.05	0.94	2292	1415	26	1.25	1.1	1991	1229	27	1.40	1.2	1746	1078	27	1.60	1.4	1541	951	27	1.85	1.6	1356	837	27	2.10	1.8	1176	726	27	2.40	2.1	1034	638	27	2.75																																																																																																																																																																																																																																																																																								
8.0	204	106.38	5.2	0.95	GK37 GKF37 GKA37 GKAF37	6P	0.35	6339	3854			78	2.20	8.7	188	97.81			5.4	1.05	10	161	83.69			5.7	1.20	12	139	72.54	5.9	1.40	12	133	106.38	5.9	1.45	GK37 GKF37 GKA37 GKAF37	4P	0.41	5398	3282			78	2.55	13	122	97.81			6.0	1.55	16	104	83.69			6.1	1.85	18	90	72.54			6.1	2.10	19	85	67.80	6.2	2.30	22	73	58.61			6.0	2.60	26			62	49.79	5.7	3.10	29			55	44.46	5.5	3.50	35			47	37.97	5.3	4.10	37			44	35.57	5.2	4.30	0.22	10019	6184	62	0.85	0.23			9173	5662	62			0.90	0.26	8324	5138	62	1.00	0.31	7064	4360	62	1.20	0.35	6174	3811	62	1.35	0.40	5440	3358	62	1.55	0.45	4823	2977	62	1.75	0.51	4209	2598	62	2.00	0.58	3704	2286	62	2.25	0.69	3141	1939	62	2.65	0.78	2775	1713	62	3.00	0.86	2519	1555	62	3.30	1.0	2164	1336	62	3.85	0.42	5152	3180	38	0.85	0.48	4465	2756	38	1.00	0.55	3919	2419	38	1.15	0.63	3439	2123	38	1.30	0.72	3007	1856	38	1.50	0.82	2633	1625	38	1.70	0.93	2317	1430	38	1.95	1.1	2043	1261	38	2.20	1.2	1785	1102	38	2.50	1.4	1550	957	38	2.90	1.6	1385	855	38	3.25	0.64	3380	2086	25	0.85	0.72	3004	1854	26	0.95	0.80	2686	1658	26	1.05	0.94	2292	1415	26	1.25	1.1	1991	1229	27	1.40	1.2	1746	1078	27	1.60	1.4	1541	951	27	1.85	1.6	1356	837	27	2.10	1.8	1176	726	27	2.40	2.1	1034	638	27	2.75																																																																																																																																																																																																																																																																																													
8.7	188	97.81	5.4	1.05			10	161	83.69			5.7	1.20	12	139	72.54			5.9	1.40	12	133	106.38	5.9	1.45	GK37 GKF37 GKA37 GKAF37	4P	0.41	5398	3282	78	2.55	13	122	97.81	6.0	1.55			16	104	83.69			6.1	1.85	18	90	72.54			6.1	2.10	19	85	67.80			6.2	2.30	22	73	58.61			6.0	2.60	26	62	49.79	5.7	3.10	29	55	44.46			5.5	3.50	35			47	37.97	5.3	4.10	37			44	35.57	5.2	4.30	0.22			10019	6184	62	0.85	0.23			9173	5662	62	0.90	0.26	8324	5138	62	1.00	0.31			7064	4360	62	1.20	0.35	6174	3811	62	1.35	0.40	5440	3358	62	1.55	0.45	4823	2977	62	1.75	0.51	4209	2598	62	2.00	0.58	3704	2286	62	2.25	0.69	3141	1939	62	2.65	0.78	2775	1713	62	3.00	0.86	2519	1555	62	3.30	1.0	2164	1336	62	3.85	0.42	5152	3180	38	0.85	0.48	4465	2756	38	1.00	0.55	3919	2419	38	1.15	0.63	3439	2123	38	1.30	0.72	3007	1856	38	1.50	0.82	2633	1625	38	1.70	0.93	2317	1430	38	1.95	1.1	2043	1261	38	2.20	1.2	1785	1102	38	2.50	1.4	1550	957	38	2.90	1.6	1385	855	38	3.25	0.64	3380	2086	25	0.85	0.72	3004	1854	26	0.95	0.80	2686	1658	26	1.05	0.94	2292	1415	26	1.25	1.1	1991	1229	27	1.40	1.2	1746	1078	27	1.60	1.4	1541	951	27	1.85	1.6	1356	837	27	2.10	1.8	1176	726	27	2.40	2.1	1034	638	27	2.75																																																																																																																																																																																																																																																																																																									
10	161	83.69	5.7	1.20			12	139	72.54			5.9	1.40	12	133	106.38	5.9	1.45	GK37 GKF37 GKA37 GKAF37	4P	0.41	5398	3282	78	2.55			13	122	97.81	6.0	1.55	16	104	83.69	6.1	1.85			18	90	72.54			6.1	2.10	19	85	67.80			6.2	2.30	22	73	58.61			6.0	2.60	26	62	49.79			5.7	3.10	29	55	44.46	5.5	3.50	35	47	37.97			5.3	4.10	37			44	35.57	5.2	4.30	0.22			10019	6184	62	0.85	0.23			9173	5662	62	0.90	0.26			8324	5138	62	1.00	0.31	7064	4360	62	1.20	0.35	6174	3811	62	1.35	0.40	5440	3358	62	1.55	0.45	4823	2977	62	1.75	0.51	4209	2598	62	2.00	0.58	3704	2286	62	2.25	0.69	3141	1939	62	2.65	0.78	2775	1713	62	3.00	0.86	2519	1555	62	3.30	1.0	2164	1336	62	3.85	0.42	5152	3180	38	0.85	0.48	4465	2756	38	1.00	0.55	3919	2419	38	1.15	0.63	3439	2123	38	1.30	0.72	3007	1856	38	1.50	0.82	2633	1625	38	1.70	0.93	2317	1430	38	1.95	1.1	2043	1261	38	2.20	1.2	1785	1102	38	2.50	1.4	1550	957	38	2.90	1.6	1385	855	38	3.25	0.64	3380	2086	25	0.85	0.72	3004	1854	26	0.95	0.80	2686	1658	26	1.05	0.94	2292	1415	26	1.25	1.1	1991	1229	27	1.40	1.2	1746	1078	27	1.60	1.4	1541	951	27	1.85	1.6	1356	837	27	2.10	1.8	1176	726	27	2.40	2.1	1034	638	27	2.75																																																																																																																																																																																																																																																																																																																
12	139	72.54	5.9	1.40			12	133	106.38	5.9	1.45	GK37 GKF37 GKA37 GKAF37	4P	0.41	5398	3282	78	2.55			13	122	97.81	6.0	1.55			16	104	83.69	6.1	1.85	18	90	72.54	6.1	2.10			19	85	67.80			6.2	2.30	22	73	58.61			6.0	2.60	26	62	49.79			5.7	3.10	29	55	44.46			5.5	3.50	35	47	37.97	5.3	4.10	37	44	35.57			5.2	4.30	0.22			10019	6184	62	0.85	0.23			9173	5662	62	0.90	0.26			8324	5138	62	1.00	0.31	7064	4360	62	1.20	0.35	6174	3811	62	1.35	0.40	5440	3358	62	1.55	0.45	4823	2977	62	1.75	0.51	4209	2598	62	2.00	0.58	3704	2286	62	2.25	0.69	3141	1939	62	2.65	0.78	2775	1713	62	3.00	0.86	2519	1555	62	3.30	1.0	2164	1336	62	3.85	0.42	5152	3180	38	0.85	0.48	4465	2756	38	1.00	0.55	3919	2419	38	1.15	0.63	3439	2123	38	1.30	0.72	3007	1856	38	1.50	0.82	2633	1625	38	1.70	0.93	2317	1430	38	1.95	1.1	2043	1261	38	2.20	1.2	1785	1102	38	2.50	1.4	1550	957	38	2.90	1.6	1385	855	38	3.25	0.64	3380	2086	25	0.85	0.72	3004	1854	26	0.95	0.80	2686	1658	26	1.05	0.94	2292	1415	26	1.25	1.1	1991	1229	27	1.40	1.2	1746	1078	27	1.60	1.4	1541	951	27	1.85	1.6	1356	837	27	2.10	1.8	1176	726	27	2.40	2.1	1034	638	27	2.75																																																																																																																																																																																																																																																																																																																							
12	133	106.38	5.9	1.45	GK37 GKF37 GKA37 GKAF37	4P	0.41	5398	3282	78	2.55			13	122	97.81	6.0	1.55			16	104	83.69	6.1	1.85			18	90	72.54	6.1	2.10	19	85	67.80	6.2	2.30			22	73	58.61			6.0	2.60	26	62	49.79			5.7	3.10	29	55	44.46			5.5	3.50	35	47	37.97			5.3	4.10	37	44	35.57	5.2	4.30	0.22	10019	6184			62	0.85	0.23			9173	5662	62	0.90	0.26			8324	5138	62	1.00	0.31	7064	4360	62	1.20	0.35	6174	3811	62	1.35	0.40	5440	3358	62	1.55	0.45	4823	2977	62	1.75	0.51	4209	2598	62	2.00	0.58	3704	2286	62	2.25	0.69	3141	1939	62	2.65	0.78	2775	1713	62	3.00	0.86	2519	1555	62	3.30	1.0	2164	1336	62	3.85	0.42	5152	3180	38	0.85	0.48	4465	2756	38	1.00	0.55	3919	2419	38	1.15	0.63	3439	2123	38	1.30	0.72	3007	1856	38	1.50	0.82	2633	1625	38	1.70	0.93	2317	1430	38	1.95	1.1	2043	1261	38	2.20	1.2	1785	1102	38	2.50	1.4	1550	957	38	2.90	1.6	1385	855	38	3.25	0.64	3380	2086	25	0.85	0.72	3004	1854	26	0.95	0.80	2686	1658	26	1.05	0.94	2292	1415	26	1.25	1.1	1991	1229	27	1.40	1.2	1746	1078	27	1.60	1.4	1541	951	27	1.85	1.6	1356	837	27	2.10	1.8	1176	726	27	2.40	2.1	1034	638	27	2.75																																																																																																																																																																																																																																																																																																																														
13	122	97.81	6.0	1.55			16	104	83.69	6.1	1.85			18	90	72.54	6.1	2.10			19	85	67.80	6.2	2.30			22	73	58.61	6.0	2.60	26	62	49.79	5.7	3.10			29	55	44.46			5.5	3.50	35	47	37.97			5.3	4.10	37	44	35.57			5.2	4.30	0.22	10019	6184			62	0.85	0.23	9173	5662	62	0.90	0.26	8324	5138			62	1.00	0.31			7064	4360	62	1.20	0.35	6174	3811	62	1.35	0.40	5440	3358	62	1.55	0.45	4823	2977	62	1.75	0.51	4209	2598	62	2.00	0.58	3704	2286	62	2.25	0.69	3141	1939	62	2.65	0.78	2775	1713	62	3.00	0.86	2519	1555	62	3.30	1.0	2164	1336	62	3.85	0.42	5152	3180	38	0.85	0.48	4465	2756	38	1.00	0.55	3919	2419	38	1.15	0.63	3439	2123	38	1.30	0.72	3007	1856	38	1.50	0.82	2633	1625	38	1.70	0.93	2317	1430	38	1.95	1.1	2043	1261	38	2.20	1.2	1785	1102	38	2.50	1.4	1550	957	38	2.90	1.6	1385	855	38	3.25	0.64	3380	2086	25	0.85	0.72	3004	1854	26	0.95	0.80	2686	1658	26	1.05	0.94	2292	1415	26	1.25	1.1	1991	1229	27	1.40	1.2	1746	1078	27	1.60	1.4	1541	951	27	1.85	1.6	1356	837	27	2.10	1.8	1176	726	27	2.40	2.1	1034	638	27	2.75																																																																																																																																																																																																																																																																																																																																										
16	104	83.69	6.1	1.85			18	90	72.54	6.1	2.10			19	85	67.80	6.2	2.30			22	73	58.61	6.0	2.60			26	62	49.79	5.7	3.10	29	55	44.46	5.5	3.50			35	47	37.97			5.3	4.10	37	44	35.57			5.2	4.30	0.22	10019	6184			62	0.85	0.23	9173	5662			62	0.90	0.26	8324	5138	62	1.00	0.31	7064	4360			62	1.20	0.35	6174	3811	62	1.35	0.40	5440	3358	62	1.55	0.45	4823	2977	62	1.75	0.51	4209	2598	62	2.00	0.58	3704	2286	62	2.25	0.69	3141	1939	62	2.65	0.78	2775	1713	62	3.00	0.86	2519	1555	62	3.30	1.0	2164	1336	62	3.85	0.42	5152	3180	38	0.85	0.48	4465	2756	38	1.00	0.55	3919	2419	38	1.15	0.63	3439	2123	38	1.30	0.72	3007	1856	38	1.50	0.82	2633	1625	38	1.70	0.93	2317	1430	38	1.95	1.1	2043	1261	38	2.20	1.2	1785	1102	38	2.50	1.4	1550	957	38	2.90	1.6	1385	855	38	3.25	0.64	3380	2086	25	0.85	0.72	3004	1854	26	0.95	0.80	2686	1658	26	1.05	0.94	2292	1415	26	1.25	1.1	1991	1229	27	1.40	1.2	1746	1078	27	1.60	1.4	1541	951	27	1.85	1.6	1356	837	27	2.10	1.8	1176	726	27	2.40	2.1	1034	638	27	2.75																																																																																																																																																																																																																																																																																																																																																	
18	90	72.54	6.1	2.10			19	85	67.80	6.2	2.30			22	73	58.61	6.0	2.60			26	62	49.79	5.7	3.10			29	55	44.46	5.5	3.50	35	47	37.97	5.3	4.10			37	44	35.57			5.2	4.30	0.22	10019	6184			62	0.85	0.23	9173	5662			62	0.90	0.26	8324	5138			62	1.00	0.31	7064	4360	62	1.20	0.35	6174	3811	62	1.35	0.40	5440	3358	62	1.55	0.45	4823	2977	62	1.75	0.51	4209	2598	62	2.00	0.58	3704	2286	62	2.25	0.69	3141	1939	62	2.65	0.78	2775	1713	62	3.00	0.86	2519	1555	62	3.30	1.0	2164	1336	62	3.85	0.42	5152	3180	38	0.85	0.48	4465	2756	38	1.00	0.55	3919	2419	38	1.15	0.63	3439	2123	38	1.30	0.72	3007	1856	38	1.50	0.82	2633	1625	38	1.70	0.93	2317	1430	38	1.95	1.1	2043	1261	38	2.20	1.2	1785	1102	38	2.50	1.4	1550	957	38	2.90	1.6	1385	855	38	3.25	0.64	3380	2086	25	0.85	0.72	3004	1854	26	0.95	0.80	2686	1658	26	1.05	0.94	2292	1415	26	1.25	1.1	1991	1229	27	1.40	1.2	1746	1078	27	1.60	1.4	1541	951	27	1.85	1.6	1356	837	27	2.10	1.8	1176	726	27	2.40	2.1	1034	638	27	2.75																																																																																																																																																																																																																																																																																																																																																								
19	85	67.80	6.2	2.30			22	73	58.61	6.0	2.60			26	62	49.79	5.7	3.10			29	55	44.46	5.5	3.50			35	47	37.97	5.3	4.10	37	44	35.57	5.2	4.30			0.22	10019	6184			62	0.85	0.23	9173	5662			62	0.90	0.26	8324	5138			62	1.00	0.31	7064	4360	62	1.20	0.35	6174	3811	62	1.35	0.40	5440	3358	62	1.55	0.45	4823	2977	62	1.75	0.51	4209	2598	62	2.00	0.58	3704	2286	62	2.25	0.69	3141	1939	62	2.65	0.78	2775	1713	62	3.00	0.86	2519	1555	62	3.30	1.0	2164	1336	62	3.85	0.42	5152	3180	38	0.85	0.48	4465	2756	38	1.00	0.55	3919	2419	38	1.15	0.63	3439	2123	38	1.30	0.72	3007	1856	38	1.50	0.82	2633	1625	38	1.70	0.93	2317	1430	38	1.95	1.1	2043	1261	38	2.20	1.2	1785	1102	38	2.50	1.4	1550	957	38	2.90	1.6	1385	855	38	3.25	0.64	3380	2086	25	0.85	0.72	3004	1854	26	0.95	0.80	2686	1658	26	1.05	0.94	2292	1415	26	1.25	1.1	1991	1229	27	1.40	1.2	1746	1078	27	1.60	1.4	1541	951	27	1.85	1.6	1356	837	27	2.10	1.8	1176	726	27	2.40	2.1	1034	638	27	2.75																																																																																																																																																																																																																																																																																																																																																															
22	73	58.61	6.0	2.60			26	62	49.79	5.7	3.10			29	55	44.46	5.5	3.50			35	47	37.97	5.3	4.10			37	44	35.57	5.2	4.30	0.22	10019	6184	62	0.85			0.23	9173	5662			62	0.90	0.26	8324	5138			62	1.00	0.31	7064	4360	62	1.20	0.35	6174	3811	62	1.35	0.40	5440	3358	62	1.55	0.45	4823	2977	62	1.75	0.51	4209	2598	62	2.00	0.58	3704	2286	62	2.25	0.69	3141	1939	62	2.65	0.78	2775	1713	62	3.00	0.86	2519	1555	62	3.30	1.0	2164	1336	62	3.85	0.42	5152	3180	38	0.85	0.48	4465	2756	38	1.00	0.55	3919	2419	38	1.15	0.63	3439	2123	38	1.30	0.72	3007	1856	38	1.50	0.82	2633	1625	38	1.70	0.93	2317	1430	38	1.95	1.1	2043	1261	38	2.20	1.2	1785	1102	38	2.50	1.4	1550	957	38	2.90	1.6	1385	855	38	3.25	0.64	3380	2086	25	0.85	0.72	3004	1854	26	0.95	0.80	2686	1658	26	1.05	0.94	2292	1415	26	1.25	1.1	1991	1229	27	1.40	1.2	1746	1078	27	1.60	1.4	1541	951	27	1.85	1.6	1356	837	27	2.10	1.8	1176	726	27	2.40	2.1	1034	638	27	2.75																																																																																																																																																																																																																																																																																																																																																																						
26	62	49.79	5.7	3.10			29	55	44.46	5.5	3.50			35	47	37.97	5.3	4.10			37	44	35.57	5.2	4.30			0.22	10019	6184	62	0.85	0.23	9173	5662	62	0.90			0.26	8324	5138			62	1.00	0.31	7064	4360	62	1.20	0.35	6174	3811	62	1.35	0.40	5440	3358	62	1.55	0.45	4823	2977	62	1.75	0.51	4209	2598	62	2.00	0.58	3704	2286	62	2.25	0.69	3141	1939	62	2.65	0.78	2775	1713	62	3.00	0.86	2519	1555	62	3.30	1.0	2164	1336	62	3.85	0.42	5152	3180	38	0.85	0.48	4465	2756	38	1.00	0.55	3919	2419	38	1.15	0.63	3439	2123	38	1.30	0.72	3007	1856	38	1.50	0.82	2633	1625	38	1.70	0.93	2317	1430	38	1.95	1.1	2043	1261	38	2.20	1.2	1785	1102	38	2.50	1.4	1550	957	38	2.90	1.6	1385	855	38	3.25	0.64	3380	2086	25	0.85	0.72	3004	1854	26	0.95	0.80	2686	1658	26	1.05	0.94	2292	1415	26	1.25	1.1	1991	1229	27	1.40	1.2	1746	1078	27	1.60	1.4	1541	951	27	1.85	1.6	1356	837	27	2.10	1.8	1176	726	27	2.40	2.1	1034	638	27	2.75																																																																																																																																																																																																																																																																																																																																																																													
29	55	44.46	5.5	3.50			35	47	37.97	5.3	4.10			37	44	35.57	5.2	4.30			0.22	10019	6184	62	0.85			0.23	9173	5662	62	0.90	0.26	8324	5138	62	1.00			0.31	7064	4360	62	1.20	0.35	6174	3811	62	1.35	0.40	5440	3358	62	1.55	0.45	4823	2977	62	1.75	0.51	4209	2598	62	2.00	0.58	3704	2286	62	2.25	0.69	3141	1939	62	2.65	0.78	2775	1713	62	3.00	0.86	2519	1555	62	3.30	1.0	2164	1336	62	3.85	0.42	5152	3180	38	0.85	0.48	4465	2756	38	1.00	0.55	3919	2419	38	1.15	0.63	3439	2123	38	1.30	0.72	3007	1856	38	1.50	0.82	2633	1625	38	1.70	0.93	2317	1430	38	1.95	1.1	2043	1261	38	2.20	1.2	1785	1102	38	2.50	1.4	1550	957	38	2.90	1.6	1385	855	38	3.25	0.64	3380	2086	25	0.85	0.72	3004	1854	26	0.95	0.80	2686	1658	26	1.05	0.94	2292	1415	26	1.25	1.1	1991	1229	27	1.40	1.2	1746	1078	27	1.60	1.4	1541	951	27	1.85	1.6	1356	837	27	2.10	1.8	1176	726	27	2.40	2.1	1034	638	27	2.75																																																																																																																																																																																																																																																																																																																																																																																				
35	47	37.97	5.3	4.10			37	44	35.57	5.2	4.30			0.22	10019	6184	62	0.85			0.23	9173	5662	62	0.90			0.26	8324	5138	62	1.00	0.31	7064	4360	62	1.20	0.35	6174	3811	62	1.35	0.40	5440	3358	62	1.55	0.45	4823	2977	62	1.75	0.51	4209	2598	62	2.00	0.58	3704	2286	62	2.25	0.69	3141	1939	62	2.65	0.78	2775	1713	62	3.00	0.86	2519	1555	62	3.30	1.0	2164	1336	62	3.85	0.42	5152	3180	38	0.85	0.48	4465	2756	38	1.00	0.55	3919	2419	38	1.15	0.63	3439	2123	38	1.30	0.72	3007	1856	38	1.50	0.82	2633	1625	38	1.70	0.93	2317	1430	38	1.95	1.1	2043	1261	38	2.20	1.2	1785	1102	38	2.50	1.4	1550	957	38	2.90	1.6	1385	855	38	3.25	0.64	3380	2086	25	0.85	0.72	3004	1854	26	0.95	0.80	2686	1658	26	1.05	0.94	2292	1415	26	1.25	1.1	1991	1229	27	1.40	1.2	1746	1078	27	1.60	1.4	1541	951	27	1.85	1.6	1356	837	27	2.10	1.8	1176	726	27	2.40	2.1	1034	638	27	2.75																																																																																																																																																																																																																																																																																																																																																																																											
37	44	35.57	5.2	4.30			0.22	10019	6184	62	0.85			0.23	9173	5662	62	0.90			0.26	8324	5138	62	1.00	0.31	7064	4360	62	1.20	0.35	6174	3811	62	1.35	0.40	5440	3358	62	1.55	0.45	4823	2977	62	1.75	0.51	4209	2598	62	2.00	0.58	3704	2286	62	2.25	0.69	3141	1939	62	2.65	0.78	2775	1713	62	3.00	0.86	2519	1555	62	3.30	1.0	2164	1336	62	3.85	0.42	5152	3180	38	0.85	0.48	4465	2756	38	1.00	0.55	3919	2419	38	1.15	0.63	3439	2123	38	1.30	0.72	3007	1856	38	1.50	0.82	2633	1625	38	1.70	0.93	2317	1430	38	1.95	1.1	2043	1261	38	2.20	1.2	1785	1102	38	2.50	1.4	1550	957	38	2.90	1.6	1385	855	38	3.25	0.64	3380	2086	25	0.85	0.72	3004	1854	26	0.95	0.80	2686	1658	26	1.05	0.94	2292	1415	26	1.25	1.1	1991	1229	27	1.40	1.2	1746	1078	27	1.60	1.4	1541	951	27	1.85	1.6	1356	837	27	2.10	1.8	1176	726	27	2.40	2.1	1034	638	27	2.75																																																																																																																																																																																																																																																																																																																																																																																																		
0.22	10019	6184	62	0.85			0.23	9173	5662	62	0.90			0.26	8324	5138	62	1.00	0.31	7064	4360	62	1.20	0.35	6174	3811	62	1.35	0.40	5440	3358	62	1.55	0.45	4823	2977	62	1.75	0.51	4209	2598	62	2.00	0.58	3704	2286	62	2.25	0.69	3141	1939	62	2.65	0.78	2775	1713	62	3.00	0.86	2519	1555	62	3.30	1.0	2164	1336	62	3.85	0.42	5152	3180	38	0.85	0.48	4465	2756	38	1.00	0.55	3919	2419	38	1.15	0.63	3439	2123	38	1.30	0.72	3007	1856	38	1.50	0.82	2633	1625	38	1.70	0.93	2317	1430	38	1.95	1.1	2043	1261	38	2.20	1.2	1785	1102	38	2.50	1.4	1550	957	38	2.90	1.6	1385	855	38	3.25	0.64	3380	2086	25	0.85	0.72	3004	1854	26	0.95	0.80	2686	1658	26	1.05	0.94	2292	1415	26	1.25	1.1	1991	1229	27	1.40	1.2	1746	1078	27	1.60	1.4	1541	951	27	1.85	1.6	1356	837	27	2.10	1.8	1176	726	27	2.40	2.1	1034	638	27	2.75																																																																																																																																																																																																																																																																																																																																																																																																									
0.23	9173	5662	62	0.90			0.26	8324	5138	62	1.00	0.31	7064	4360	62	1.20	0.35	6174	3811	62	1.35	0.40	5440	3358	62	1.55	0.45	4823	2977	62	1.75	0.51	4209	2598	62	2.00	0.58	3704	2286	62	2.25	0.69	3141	1939	62	2.65	0.78	2775	1713	62	3.00	0.86	2519	1555	62	3.30	1.0	2164	1336	62	3.85	0.42	5152	3180	38	0.85	0.48	4465	2756	38	1.00	0.55	3919	2419	38	1.15	0.63	3439	2123	38	1.30	0.72	3007	1856	38	1.50	0.82	2633	1625	38	1.70	0.93	2317	1430	38	1.95	1.1	2043	1261	38	2.20	1.2	1785	1102	38	2.50	1.4	1550	957	38	2.90	1.6	1385	855	38	3.25	0.64	3380	2086	25	0.85	0.72	3004	1854	26	0.95	0.80	2686	1658	26	1.05	0.94	2292	1415	26	1.25	1.1	1991	1229	27	1.40	1.2	1746	1078	27	1.60	1.4	1541	951	27	1.85	1.6	1356	837	27	2.10	1.8	1176	726	27	2.40	2.1	1034	638	27	2.75																																																																																																																																																																																																																																																																																																																																																																																																																
0.26	8324	5138	62	1.00	0.31	7064	4360	62	1.20	0.35	6174	3811	62	1.35	0.40	5440	3358	62	1.55	0.45	4823	2977	62	1.75	0.51	4209	2598	62	2.00	0.58	3704	2286	62	2.25	0.69	3141	1939	62	2.65	0.78	2775	1713	62	3.00	0.86	2519	1555	62	3.30	1.0	2164	1336	62	3.85	0.42	5152	3180	38	0.85	0.48	4465	2756	38	1.00	0.55	3919	2419	38	1.15	0.63	3439	2123	38	1.30	0.72	3007	1856	38	1.50	0.82	2633	1625	38	1.70	0.93	2317	1430	38	1.95	1.1	2043	1261	38	2.20	1.2	1785	1102	38	2.50	1.4	1550	957	38	2.90	1.6	1385	855	38	3.25	0.64	3380	2086	25	0.85	0.72	3004	1854	26	0.95	0.80	2686	1658	26	1.05	0.94	2292	1415	26	1.25	1.1	1991	1229	27	1.40	1.2	1746	1078	27	1.60	1.4	1541	951	27	1.85	1.6	1356	837	27	2.10	1.8	1176	726	27	2.40	2.1	1034	638	27	2.75																																																																																																																																																																																																																																																																																																																																																																																																																							
0.31	7064	4360	62	1.20	0.35	6174	3811	62	1.35	0.40	5440	3358	62	1.55	0.45	4823	2977	62	1.75	0.51	4209	2598	62	2.00	0.58	3704	2286	62	2.25	0.69	3141	1939	62	2.65	0.78	2775	1713	62	3.00	0.86	2519	1555	62	3.30	1.0	2164	1336	62	3.85	0.42	5152	3180	38	0.85	0.48	4465	2756	38	1.00	0.55	3919	2419	38	1.15	0.63	3439	2123	38	1.30	0.72	3007	1856	38	1.50	0.82	2633	1625	38	1.70	0.93	2317	1430	38	1.95	1.1	2043	1261	38	2.20	1.2	1785	1102	38	2.50	1.4	1550	957	38	2.90	1.6	1385	855	38	3.25	0.64	3380	2086	25	0.85	0.72	3004	1854	26	0.95	0.80	2686	1658	26	1.05	0.94	2292	1415	26	1.25	1.1	1991	1229	27	1.40	1.2	1746	1078	27	1.60	1.4	1541	951	27	1.85	1.6	1356	837	27	2.10	1.8	1176	726	27	2.40	2.1	1034	638	27	2.75																																																																																																																																																																																																																																																																																																																																																																																																																												
0.35	6174	3811	62	1.35	0.40	5440	3358	62	1.55	0.45	4823	2977	62	1.75	0.51	4209	2598	62	2.00	0.58	3704	2286	62	2.25	0.69	3141	1939	62	2.65	0.78	2775	1713	62	3.00	0.86	2519	1555	62	3.30	1.0	2164	1336	62	3.85	0.42	5152	3180	38	0.85	0.48	4465	2756	38	1.00	0.55	3919	2419	38	1.15	0.63	3439	2123	38	1.30	0.72	3007	1856	38	1.50	0.82	2633	1625	38	1.70	0.93	2317	1430	38	1.95	1.1	2043	1261	38	2.20	1.2	1785	1102	38	2.50	1.4	1550	957	38	2.90	1.6	1385	855	38	3.25	0.64	3380	2086	25	0.85	0.72	3004	1854	26	0.95	0.80	2686	1658	26	1.05	0.94	2292	1415	26	1.25	1.1	1991	1229	27	1.40	1.2	1746	1078	27	1.60	1.4	1541	951	27	1.85	1.6	1356	837	27	2.10	1.8	1176	726	27	2.40	2.1	1034	638	27	2.75																																																																																																																																																																																																																																																																																																																																																																																																																																	
0.40	5440	3358	62	1.55	0.45	4823	2977	62	1.75	0.51	4209	2598	62	2.00	0.58	3704	2286	62	2.25	0.69	3141	1939	62	2.65	0.78	2775	1713	62	3.00	0.86	2519	1555	62	3.30	1.0	2164	1336	62	3.85	0.42	5152	3180	38	0.85	0.48	4465	2756	38	1.00	0.55	3919	2419	38	1.15	0.63	3439	2123	38	1.30	0.72	3007	1856	38	1.50	0.82	2633	1625	38	1.70	0.93	2317	1430	38	1.95	1.1	2043	1261	38	2.20	1.2	1785	1102	38	2.50	1.4	1550	957	38	2.90	1.6	1385	855	38	3.25	0.64	3380	2086	25	0.85	0.72	3004	1854	26	0.95	0.80	2686	1658	26	1.05	0.94	2292	1415	26	1.25	1.1	1991	1229	27	1.40	1.2	1746	1078	27	1.60	1.4	1541	951	27	1.85	1.6	1356	837	27	2.10	1.8	1176	726	27	2.40	2.1	1034	638	27	2.75																																																																																																																																																																																																																																																																																																																																																																																																																																						
0.45	4823	2977	62	1.75	0.51	4209	2598	62	2.00	0.58	3704	2286	62	2.25	0.69	3141	1939	62	2.65	0.78	2775	1713	62	3.00	0.86	2519	1555	62	3.30	1.0	2164	1336	62	3.85	0.42	5152	3180	38	0.85	0.48	4465	2756	38	1.00	0.55	3919	2419	38	1.15	0.63	3439	2123	38	1.30	0.72	3007	1856	38	1.50	0.82	2633	1625	38	1.70	0.93	2317	1430	38	1.95	1.1	2043	1261	38	2.20	1.2	1785	1102	38	2.50	1.4	1550	957	38	2.90	1.6	1385	855	38	3.25	0.64	3380	2086	25	0.85	0.72	3004	1854	26	0.95	0.80	2686	1658	26	1.05	0.94	2292	1415	26	1.25	1.1	1991	1229	27	1.40	1.2	1746	1078	27	1.60	1.4	1541	951	27	1.85	1.6	1356	837	27	2.10	1.8	1176	726	27	2.40	2.1	1034	638	27	2.75																																																																																																																																																																																																																																																																																																																																																																																																																																											
0.51	4209	2598	62	2.00	0.58	3704	2286	62	2.25	0.69	3141	1939	62	2.65	0.78	2775	1713	62	3.00	0.86	2519	1555	62	3.30	1.0	2164	1336	62	3.85	0.42	5152	3180	38	0.85	0.48	4465	2756	38	1.00	0.55	3919	2419	38	1.15	0.63	3439	2123	38	1.30	0.72	3007	1856	38	1.50	0.82	2633	1625	38	1.70	0.93	2317	1430	38	1.95	1.1	2043	1261	38	2.20	1.2	1785	1102	38	2.50	1.4	1550	957	38	2.90	1.6	1385	855	38	3.25	0.64	3380	2086	25	0.85	0.72	3004	1854	26	0.95	0.80	2686	1658	26	1.05	0.94	2292	1415	26	1.25	1.1	1991	1229	27	1.40	1.2	1746	1078	27	1.60	1.4	1541	951	27	1.85	1.6	1356	837	27	2.10	1.8	1176	726	27	2.40	2.1	1034	638	27	2.75																																																																																																																																																																																																																																																																																																																																																																																																																																																
0.58	3704	2286	62	2.25	0.69	3141	1939	62	2.65	0.78	2775	1713	62	3.00	0.86	2519	1555	62	3.30	1.0	2164	1336	62	3.85	0.42	5152	3180	38	0.85	0.48	4465	2756	38	1.00	0.55	3919	2419	38	1.15	0.63	3439	2123	38	1.30	0.72	3007	1856	38	1.50	0.82	2633	1625	38	1.70	0.93	2317	1430	38	1.95	1.1	2043	1261	38	2.20	1.2	1785	1102	38	2.50	1.4	1550	957	38	2.90	1.6	1385	855	38	3.25	0.64	3380	2086	25	0.85	0.72	3004	1854	26	0.95	0.80	2686	1658	26	1.05	0.94	2292	1415	26	1.25	1.1	1991	1229	27	1.40	1.2	1746	1078	27	1.60	1.4	1541	951	27	1.85	1.6	1356	837	27	2.10	1.8	1176	726	27	2.40	2.1	1034	638	27	2.75																																																																																																																																																																																																																																																																																																																																																																																																																																																					
0.69	3141	1939	62	2.65	0.78	2775	1713	62	3.00	0.86	2519	1555	62	3.30	1.0	2164	1336	62	3.85	0.42	5152	3180	38	0.85	0.48	4465	2756	38	1.00	0.55	3919	2419	38	1.15	0.63	3439	2123	38	1.30	0.72	3007	1856	38	1.50	0.82	2633	1625	38	1.70	0.93	2317	1430	38	1.95	1.1	2043	1261	38	2.20	1.2	1785	1102	38	2.50	1.4	1550	957	38	2.90	1.6	1385	855	38	3.25	0.64	3380	2086	25	0.85	0.72	3004	1854	26	0.95	0.80	2686	1658	26	1.05	0.94	2292	1415	26	1.25	1.1	1991	1229	27	1.40	1.2	1746	1078	27	1.60	1.4	1541	951	27	1.85	1.6	1356	837	27	2.10	1.8	1176	726	27	2.40	2.1	1034	638	27	2.75																																																																																																																																																																																																																																																																																																																																																																																																																																																										
0.78	2775	1713	62	3.00	0.86	2519	1555	62	3.30	1.0	2164	1336	62	3.85	0.42	5152	3180	38	0.85	0.48	4465	2756	38	1.00	0.55	3919	2419	38	1.15	0.63	3439	2123	38	1.30	0.72	3007	1856	38	1.50	0.82	2633	1625	38	1.70	0.93	2317	1430	38	1.95	1.1	2043	1261	38	2.20	1.2	1785	1102	38	2.50	1.4	1550	957	38	2.90	1.6	1385	855	38	3.25	0.64	3380	2086	25	0.85	0.72	3004	1854	26	0.95	0.80	2686	1658	26	1.05	0.94	2292	1415	26	1.25	1.1	1991	1229	27	1.40	1.2	1746	1078	27	1.60	1.4	1541	951	27	1.85	1.6	1356	837	27	2.10	1.8	1176	726	27	2.40	2.1	1034	638	27	2.75																																																																																																																																																																																																																																																																																																																																																																																																																																																															
0.86	2519	1555	62	3.30	1.0	2164	1336	62	3.85	0.42	5152	3180	38	0.85	0.48	4465	2756	38	1.00	0.55	3919	2419	38	1.15	0.63	3439	2123	38	1.30	0.72	3007	1856	38	1.50	0.82	2633	1625	38	1.70	0.93	2317	1430	38	1.95	1.1	2043	1261	38	2.20	1.2	1785	1102	38	2.50	1.4	1550	957	38	2.90	1.6	1385	855	38	3.25	0.64	3380	2086	25	0.85	0.72	3004	1854	26	0.95	0.80	2686	1658	26	1.05	0.94	2292	1415	26	1.25	1.1	1991	1229	27	1.40	1.2	1746	1078	27	1.60	1.4	1541	951	27	1.85	1.6	1356	837	27	2.10	1.8	1176	726	27	2.40	2.1	1034	638	27	2.75																																																																																																																																																																																																																																																																																																																																																																																																																																																																				
1.0	2164	1336	62	3.85	0.42	5152	3180	38	0.85	0.48	4465	2756	38	1.00	0.55	3919	2419	38	1.15	0.63	3439	2123	38	1.30	0.72	3007	1856	38	1.50	0.82	2633	1625	38	1.70	0.93	2317	1430	38	1.95	1.1	2043	1261	38	2.20	1.2	1785	1102	38	2.50	1.4	1550	957	38	2.90	1.6	1385	855	38	3.25	0.64	3380	2086	25	0.85	0.72	3004	1854	26	0.95	0.80	2686	1658	26	1.05	0.94	2292	1415	26	1.25	1.1	1991	1229	27	1.40	1.2	1746	1078	27	1.60	1.4	1541	951	27	1.85	1.6	1356	837	27	2.10	1.8	1176	726	27	2.40	2.1	1034	638	27	2.75																																																																																																																																																																																																																																																																																																																																																																																																																																																																									
0.42	5152	3180	38	0.85	0.48	4465	2756	38	1.00	0.55	3919	2419	38	1.15	0.63	3439	2123	38	1.30	0.72	3007	1856	38	1.50	0.82	2633	1625	38	1.70	0.93	2317	1430	38	1.95	1.1	2043	1261	38	2.20	1.2	1785	1102	38	2.50	1.4	1550	957	38	2.90	1.6	1385	855	38	3.25	0.64	3380	2086	25	0.85	0.72	3004	1854	26	0.95	0.80	2686	1658	26	1.05	0.94	2292	1415	26	1.25	1.1	1991	1229	27	1.40	1.2	1746	1078	27	1.60	1.4	1541	951	27	1.85	1.6	1356	837	27	2.10	1.8	1176	726	27	2.40	2.1	1034	638	27	2.75																																																																																																																																																																																																																																																																																																																																																																																																																																																																														
0.48	4465	2756	38	1.00	0.55	3919	2419	38	1.15	0.63	3439	2123	38	1.30	0.72	3007	1856	38	1.50	0.82	2633	1625	38	1.70	0.93	2317	1430	38	1.95	1.1	2043	1261	38	2.20	1.2	1785	1102	38	2.50	1.4	1550	957	38	2.90	1.6	1385	855	38	3.25	0.64	3380	2086	25	0.85	0.72	3004	1854	26	0.95	0.80	2686	1658	26	1.05	0.94	2292	1415	26	1.25	1.1	1991	1229	27	1.40	1.2	1746	1078	27	1.60	1.4	1541	951	27	1.85	1.6	1356	837	27	2.10	1.8	1176	726	27	2.40	2.1	1034	638	27	2.75																																																																																																																																																																																																																																																																																																																																																																																																																																																																																			
0.55	3919	2419	38	1.15	0.63	3439	2123	38	1.30	0.72	3007	1856	38	1.50	0.82	2633	1625	38	1.70	0.93	2317	1430	38	1.95	1.1	2043	1261	38	2.20	1.2	1785	1102	38	2.50	1.4	1550	957	38	2.90	1.6	1385	855	38	3.25	0.64	3380	2086	25	0.85	0.72	3004	1854	26	0.95	0.80	2686	1658	26	1.05	0.94	2292	1415	26	1.25	1.1	1991	1229	27	1.40	1.2	1746	1078	27	1.60	1.4	1541	951	27	1.85	1.6	1356	837	27	2.10	1.8	1176	726	27	2.40	2.1	1034	638	27	2.75																																																																																																																																																																																																																																																																																																																																																																																																																																																																																								
0.63	3439	2123	38	1.30	0.72	3007	1856	38	1.50	0.82	2633	1625	38	1.70	0.93	2317	1430	38	1.95	1.1	2043	1261	38	2.20	1.2	1785	1102	38	2.50	1.4	1550	957	38	2.90	1.6	1385	855	38	3.25	0.64	3380	2086	25	0.85	0.72	3004	1854	26	0.95	0.80	2686	1658	26	1.05	0.94	2292	1415	26	1.25	1.1	1991	1229	27	1.40	1.2	1746	1078	27	1.60	1.4	1541	951	27	1.85	1.6	1356	837	27	2.10	1.8	1176	726	27	2.40	2.1	1034	638	27	2.75																																																																																																																																																																																																																																																																																																																																																																																																																																																																																													
0.72	3007	1856	38	1.50	0.82	2633	1625	38	1.70	0.93	2317	1430	38	1.95	1.1	2043	1261	38	2.20	1.2	1785	1102	38	2.50	1.4	1550	957	38	2.90	1.6	1385	855	38	3.25	0.64	3380	2086	25	0.85	0.72	3004	1854	26	0.95	0.80	2686	1658	26	1.05	0.94	2292	1415	26	1.25	1.1	1991	1229	27	1.40	1.2	1746	1078	27	1.60	1.4	1541	951	27	1.85	1.6	1356	837	27	2.10	1.8	1176	726	27	2.40	2.1	1034	638	27	2.75																																																																																																																																																																																																																																																																																																																																																																																																																																																																																																		
0.82	2633	1625	38	1.70	0.93	2317	1430	38	1.95	1.1	2043	1261	38	2.20	1.2	1785	1102	38	2.50	1.4	1550	957	38	2.90	1.6	1385	855	38	3.25	0.64	3380	2086	25	0.85	0.72	3004	1854	26	0.95	0.80	2686	1658	26	1.05	0.94	2292	1415	26	1.25	1.1	1991	1229	27	1.40	1.2	1746	1078	27	1.60	1.4	1541	951	27	1.85	1.6	1356	837	27	2.10	1.8	1176	726	27	2.40	2.1	1034	638	27	2.75																																																																																																																																																																																																																																																																																																																																																																																																																																																																																																							
0.93	2317	1430	38	1.95	1.1	2043	1261	38	2.20	1.2	1785	1102	38	2.50	1.4	1550	957	38	2.90	1.6	1385	855	38	3.25	0.64	3380	2086	25	0.85	0.72	3004	1854	26	0.95	0.80	2686	1658	26	1.05	0.94	2292	1415	26	1.25	1.1	1991	1229	27	1.40	1.2	1746	1078	27	1.60	1.4	1541	951	27	1.85	1.6	1356	837	27	2.10	1.8	1176	726	27	2.40	2.1	1034	638	27	2.75																																																																																																																																																																																																																																																																																																																																																																																																																																																																																																												
1.1	2043	1261	38	2.20	1.2	1785	1102	38	2.50	1.4	1550	957	38	2.90	1.6	1385	855	38	3.25	0.64	3380	2086	25	0.85	0.72	3004	1854	26	0.95	0.80	2686	1658	26	1.05	0.94	2292	1415	26	1.25	1.1	1991	1229	27	1.40	1.2	1746	1078	27	1.60	1.4	1541	951	27	1.85	1.6	1356	837	27	2.10	1.8	1176	726	27	2.40	2.1	1034	638	27	2.75																																																																																																																																																																																																																																																																																																																																																																																																																																																																																																																	
1.2	1785	1102	38	2.50	1.4	1550	957	38	2.90	1.6	1385	855	38	3.25	0.64	3380	2086	25	0.85	0.72	3004	1854	26	0.95	0.80	2686	1658	26	1.05	0.94	2292	1415	26	1.25	1.1	1991	1229	27	1.40	1.2	1746	1078	27	1.60	1.4	1541	951	27	1.85	1.6	1356	837	27	2.10	1.8	1176	726	27	2.40	2.1	1034	638	27	2.75																																																																																																																																																																																																																																																																																																																																																																																																																																																																																																																						
1.4	1550	957	38	2.90	1.6	1385	855	38	3.25	0.64	3380	2086	25	0.85	0.72	3004	1854	26	0.95	0.80	2686	1658	26	1.05	0.94	2292	1415	26	1.25	1.1	1991	1229	27	1.40	1.2	1746	1078	27	1.60	1.4	1541	951	27	1.85	1.6	1356	837	27	2.10	1.8	1176	726	27	2.40	2.1	1034	638	27	2.75																																																																																																																																																																																																																																																																																																																																																																																																																																																																																																																											
1.6	1385	855	38	3.25	0.64	3380	2086	25	0.85	0.72	3004	1854	26	0.95	0.80	2686	1658	26	1.05	0.94	2292	1415	26	1.25	1.1	1991	1229	27	1.40	1.2	1746	1078	27	1.60	1.4	1541	951	27	1.85	1.6	1356	837	27	2.10	1.8	1176	726	27	2.40	2.1	1034	638	27	2.75																																																																																																																																																																																																																																																																																																																																																																																																																																																																																																																																
0.64	3380	2086	25	0.85	0.72	3004	1854	26	0.95	0.80	2686	1658	26	1.05	0.94	2292	1415	26	1.25	1.1	1991	1229	27	1.40	1.2	1746	1078	27	1.60	1.4	1541	951	27	1.85	1.6	1356	837	27	2.10	1.8	1176	726	27	2.40	2.1	1034	638	27	2.75																																																																																																																																																																																																																																																																																																																																																																																																																																																																																																																																					
0.72	3004	1854	26	0.95	0.80	2686	1658	26	1.05	0.94	2292	1415	26	1.25	1.1	1991	1229	27	1.40	1.2	1746	1078	27	1.60	1.4	1541	951	27	1.85	1.6	1356	837	27	2.10	1.8	1176	726	27	2.40	2.1	1034	638	27	2.75																																																																																																																																																																																																																																																																																																																																																																																																																																																																																																																																										
0.80	2686	1658	26	1.05	0.94	2292	1415	26	1.25	1.1	1991	1229	27	1.40	1.2	1746	1078	27	1.60	1.4	1541	951	27	1.85	1.6	1356	837	27	2.10	1.8	1176	726	27	2.40	2.1	1034	638	27	2.75																																																																																																																																																																																																																																																																																																																																																																																																																																																																																																																																															
0.94	2292	1415	26	1.25	1.1	1991	1229	27	1.40	1.2	1746	1078	27	1.60	1.4	1541	951	27	1.85	1.6	1356	837	27	2.10	1.8	1176	726	27	2.40	2.1	1034	638	27	2.75																																																																																																																																																																																																																																																																																																																																																																																																																																																																																																																																																				
1.1	1991	1229	27	1.40	1.2	1746	1078	27	1.60	1.4	1541	951	27	1.85	1.6	1356	837	27	2.10	1.8	1176	726	27	2.40	2.1	1034	638	27	2.75																																																																																																																																																																																																																																																																																																																																																																																																																																																																																																																																																									
1.2	1746	1078	27	1.60	1.4	1541	951	27	1.85	1.6	1356	837	27	2.10	1.8	1176	726	27	2.40	2.1	1034	638	27	2.75																																																																																																																																																																																																																																																																																																																																																																																																																																																																																																																																																														
1.4	1541	951	27	1.85	1.6	1356	837	27	2.10	1.8	1176	726	27	2.40	2.1	1034	638	27	2.75																																																																																																																																																																																																																																																																																																																																																																																																																																																																																																																																																																			
1.6	1356	837	27	2.10	1.8	1176	726	27	2.40	2.1	1034	638	27	2.75																																																																																																																																																																																																																																																																																																																																																																																																																																																																																																																																																																								
1.8	1176	726	27	2.40	2.1	1034	638	27	2.75																																																																																																																																																																																																																																																																																																																																																																																																																																																																																																																																																																													
2.1	1034	638	27	2.75																																																																																																																																																																																																																																																																																																																																																																																																																																																																																																																																																																																		

选型参数表
(恒功率)

Selection Table
(Constant Power)

n_a [r/min]	M_a [Nm]	i	F_{ra} [kN]	f_B	机型号 Type size	极数 Pole	n_a [r/min]	M_a [Nm]	i	F_{ra} [kN]	f_B	机型号 Type size	极数 Pole
0.25kW							0.25kW						
1.3	1708	1054	14	0.95			9.2	248	145.15	8.9	2.20		
1.4	1499	925	15	1.10			11	211	123.85	9.1	2.60	GK57	
1.6	1324	817	16	1.20			12	185	108.29	9.2	3.00	GKF57	4P
1.9	1150	710	17	1.40			13	175	102.88	9.2	3.20	GKA57	
2.1	1009	623	17	1.60			15	154	90.26	9.3	3.60	GKAF57	
2.4	896	553	18	1.80			17	131	76.56	9.3	4.30		
2.7	786	485	18	2.05	GK77R37		6.4	352	131.87	6.1	1.10		
3.1	693	428	18	2.35	GKF77R37	4P	7.0	324	121.48	6.4	1.20	GK47	
3.6	596	368	19	2.70	GKA77R37		8.1	278	104.37	6.8	1.40	GKF47	6P
4.1	531	328	19	3.05	GKAF77R37		9.4	242	90.86	7.1	1.60	GKA47	
4.6	471	291	19	3.45			10	227	85.12	7.2	1.75	GKAF47	
5.3	408	252	19	3.95			10	225	131.87	7.1	1.65		
6.0	358	221	19	4.50			11	207	121.48	7.3	1.80	GK47	
6.8	316	195	19	5.15			13	178	104.37	7.4	2.10	GKF47	4P
7.6	284	175	19	5.70			15	155	90.86	7.5	2.40	GKA47	
2.2	993	613	7.0	0.85			16	145	85.12	7.6	2.60	GKAF47	
2.5	878	542	10	1.00			10	223	83.69	5.0	0.90		
2.8	763	471	10	1.10			12	194	72.54	5.4	1.00	GK37	
3.2	680	420	11	1.25	GK67R37		13	181	67.80	5.5	1.10	GKF37	6P
3.7	585	361	11	1.45	GKF67R37	4P	15	156	58.61	5.7	1.25	GKA37	
4.1	523	323	12	1.65	GKA67R37		17	133	49.79	5.9	1.50	GKAF37	
4.8	452	279	12	1.90	GKAF67R37		13	181	106.38	5.4	1.00		
5.4	399	246	12	2.15			14	167	97.81	5.6	1.10		
6.1	352	217	12	2.45			16	143	83.69	5.8	1.30		
3.2	682	421	5.5	0.90			18	124	72.54	5.9	1.50		
3.7	586	362	7.4	1.05			20	116	67.80	5.9	1.60		
4.2	517	319	8.0	1.20			23	100	58.61	5.7	1.85		
4.8	454	280	8.3	1.40			27	85	49.79	5.5	2.20		
5.4	399	246	8.5	1.55	GK57R37		30	76	44.46	5.4	2.50		
6.2	348	215	8.7	1.80	GKF57R37	4P	35	65	37.97	5.2	2.90		
6.9	311	192	8.8	2.00	GKA57R37		37	61	35.57	5.1	3.10		
8.0	269	166	9.0	2.35	GKAF57R37		44	51	29.96	4.8	3.60	GK37	
9.2	235	145	9.1	2.65			46	49	28.83	4.8	3.80	GKF37	4P
10	209	129	9.1	3.00			53	43	24.99	4.6	4.40	GKA37	
12	180	111	9.2	3.50			57	40	23.36	4.5	4.60	GKAF37	
14	157	97	9.3	4.00			66	34	20.19	4.4	5.00		
4.1	547	154.28	19	2.90	GK77		78	29	17.15	4.2	5.70		
4.7	480	135.51	19	3.30	GKF77	8P	87	26	15.31	4.0	6.20		
5.0	456	128.73	19	3.40	GKA77		102	22	13.08	3.8	6.90		
5.6	403	113.75	19	3.90	GKAF77		110	21	12.14	3.7	7.20		
4.4	514	192.50	19	2.80	GK77		127	18	10.49	3.6	8.30		
4.7	479	179.67	19	3.00	GKF77	6P	149	15	8.91	3.4	9.80		
5.5	412	154.28	19	3.70	GKA77		167	14	7.96	3.3	11.00		
6.3	362	135.51	19	4.20	GKAF77		196	12	6.80	3.1	12.00		
5.2	438	123.54	12	1.90	GK67		209	11	6.37	3.1	12.00		
5.9	383	108.02	12	2.20	GKF67	8P	0.37kW						
6.2	364	102.62	12	2.30	GKA67		0.18	17573	7329	69	0.75		
7.1	319	90.04	12	2.60	GKAF67		0.21	15417	6430	73	0.90	GK127R77	
5.9	386	144.79	12	2.10	GK67		0.23	13890	5793	75	1.00	GKF127R77	
6.9	330	123.54	12	2.50	GKF67	6P	0.27	11806	4924	76	1.15	GKA127R77	4P
7.9	288	108.02	12	2.80	GKA67		0.31	10387	4332	77	1.30	GKAF127R77	
8.3	274	102.62	12	3.00	GKAF67		0.35	9241	3854	77	1.45		
9.2	247	144.79	12	3.10	GK67		0.41	7869	3282	78	1.75		
11	211	123.54	12	3.60	GKF67	4P	0.70	4577	1909	78	2.95	GK127R77	
12	184	108.02	12	4.10	GKA67		0.76	4174	1741	78	3.25	GKA127R77	4P
13	175	102.62	12	4.30	GKAF67		0.87	3661	1527	78	3.70	GKAF127R77	
5.9	387	145.15	8.5	1.50			0.35	9138	3811	62	0.90		
6.9	330	123.85	8.7	1.80	GK57		0.40	8052	3358	62	1.05	GK107R77	
7.8	289	108.29	8.8	2.00	GKF57	6P	0.45	7138	2977	62	1.15	GKF107R77	
8.3	275	102.88	8.9	2.20	GKA57		0.51	6229	2598	62	1.35	GKA107R77	4P
9.4	241	90.26	9.0	2.50	GKAF57		0.58	5481	2286	62	1.55	GKAF107R77	
11	204	76.56	9.1	2.90			0.69	4649	1939	62	1.80		

选型参数表
(恒功率)

Selection Table
(Constant Power)

n_a [r/min]	Ma [Nm]	i	F_{ra} [kN]	f_B	机型号 Type size	极数 Pole	n_a [r/min]	Ma [Nm]	i	F_{ra} [kN]	f_B	机型号 Type size	极数 Pole
0.37kW							0.37kW						
0.78	4107	1713	62	2.05	GK107R77	4P	3.8	886	174.19	27	3.00	GK87	8P
0.86	3728	1555	62	2.25	GKF107R77		4.0	836	164.34	27	3.20	GKA87	
1.0	3203	1336	62	2.60	GKA107R77		4.5	749	147.32	27	3.50	GKAF87	
1.1	2796	1166	62	3.00	GKAF107R77		4.5	744	197.37	27	3.50	GK87	
0.63	5090	2123	38	0.90	GK97R57 GKF97R57 GKA97R57 GKAF97R57	4P	5.1	657	174.19	27	4.00	GKAF87	6P
0.72	4450	1856	38	1.00			4.9	689	135.51	18	2.20	GK77	
0.82	3896	1625	38	1.15			5.1	655	128.73	18	2.30	GKF77	
0.93	3429	1430	38	1.30			5.8	579	113.75	19	2.60	GKA77	
1.1	3024	1261	38	1.50			6.8	494	97.21	19	3.10	GKAF77	
1.2	2642	1102	38	1.70			5.8	582	154.28	19	2.60	GK77	
1.4	2295	957	38	1.95			6.6	511	135.51	19	2.90	GKF77	
1.6	2050	855	38	2.20			6.9	486	128.73	19	3.10	GKA77	
1.8	1782	743	38	2.50			7.8	429	113.75	19	3.50	GKAF77	
2.0	1561	651	38	2.90			6.9	486	128.73	19	3.10	GK77	
2.3	1374	573	38	3.25	7.4	453	179.67	19	3.20	GKA77			
0.94	3393	1415	25	0.85	GK87R57 GKF87R57 GKA87R57 GKAF87R57	4P	8.6	389	154.28	19	3.90	GKAF77	4P
1.1	2947	1229	26	0.95			GK67						
1.2	2585	1078	26	1.10			6.1	549	108.02	11	1.45	GKF67	
1.4	2280	951	27	1.25			6.4	522	102.62	12	1.55	GKA67	
1.6	2007	837	27	1.40			7.3	458	90.04	12	1.75	GKAF67	
1.8	1741	726	27	1.60			7.2	466	123.54	12	1.70	GK67	
2.1	1530	638	27	1.85			8.2	407	108.02	12	1.95	GKF67	
2.4	1348	562	27	2.10			8.7	387	102.62	12	2.00	GKA67	
2.8	1137	474	27	2.50			9.9	340	90.04	12	2.30	GKAF67	
3.1	1021	426	27	2.75			9.2	365	144.79	12	2.20	GK67	
3.6	894	373	27	3.15	11	312	123.54	12	2.60	GK67			
1.6	1959	817	10	0.85	GK77R37 GKF77R37 GKA77R37 GKAF77R37	4P	12	273	108.02	12	3.00	GKF67	4P
1.9	1702	710	14	0.95			15	227	90.04	12	3.60	GKA67	
2.1	1494	623	16	1.10			17	193	76.37	12	4.20	GKAF67	
2.4	1326	553	16	1.20			7.2	467	123.85	8.1	1.25	GK57	
2.7	1163	485	17	1.40			8.2	408	108.29	8.3	1.40	GK57	
3.1	1026	428	18	1.60			8.7	388	102.88	8.4	1.50	GKF57	
3.6	882	368	18	1.85			9.9	340	90.26	8.6	1.70	GKA57	
4.1	786	328	18	2.05			11.6	289	76.56	8.8	2.00	GKAF57	
4.6	698	291	18	2.30			12.9	261	69.12	8.9	2.20	GK47	
5.3	604	252	19	2.70			9.2	366	145.15	8.6	1.60	GK47	
6.0	530	221	19	3.05	11	313	123.85	8.8	1.90	GK47			
6.8	468	195	19	3.45	12	273	108.29	8.9	2.20	GK57			
7.6	420	175	19	3.85	13	260	102.88	8.9	2.30	GKF57			
8.6	369	154	19	4.40	15	228	90.26	9.1	2.60	GKA57			
3.2	1007	420	8.6	0.85	GK67R37 GKF67R37 GKA67R37 GKAF67R37	4P	17	193	76.56	9.2	3.10	GKAF57	4P
3.7	866	361	10	1.00			19	174	69.12	9.2	3.40	GK47	
4.1	774	323	11	1.10			8.5	394	104.37	5.2	1.00	GK47	
4.8	669	279	11	1.30			9.8	343	90.86	6.2	1.10	GKF47	
5.4	590	246	12	1.45			10	321	85.12	6.4	1.20	GKA47	
6.1	520	217	12	1.65			12	284	75.20	6.7	1.35	GKAF47	
7.0	458	191	12	1.85			10	333	131.87	6.4	1.20	GK47	
8.0	398	166	12	2.15			11	307	121.48	6.6	1.30	GKA47	
9.2	345	144	12	2.50			13	263	104.37	7.0	1.50	GKAF47	
11	293	122	12	2.95			15	229	90.86	7.2	1.70	GK47	
4.8	671	280	7.1	0.95	GK57R37 GKF57R37 GKA57R37 GKAF57R37	4P	16	215	85.12	7.3	1.85	GK47	4P
5.4	590	246	7.6	1.05			18	190	75.20	7.4	2.10	GKF47	
6.2	516	215	8.1	1.20			19	176	69.84	7.5	2.20	GKA47	
6.9	460	192	8.3	1.35			21	160	63.30	7.6	2.50	GKAF47	
8.0	398	166	8.6	1.55									
9.2	348	145	8.7	1.80									
10	309	129	8.9	2.00									
12	266	111	9.0	2.35									
14	233	97	9.1	2.70									

选型参数表
(恒功率)

Selection Table
(Constant Power)

n_a [r/min]	Ma [Nm]	i	F_{ra} [kN]	f_B	机型号 Type size	极数 Pole	n_a [r/min]	Ma [Nm]	i	F_{ra} [kN]	f_B	机型号 Type size	极数 Pole
0.37kW							0.55kW						
14	247	97.81	2.4	0.80			1.3	3513	1030	62	2.30	GK107R77	
16	211	83.69	5.2	0.95			1.5	3083	904	62	2.60	GKF107R77	4P
18	183	72.54	5.4	1.10			1.8	2704	793	62	2.95	GKA107R77	
20	171	67.80	5.3	1.15			2.0	2374	696	62	3.35	GKAF107R77	
23	148	58.61	5.2	1.35			2.3	2094	614	62	3.80		
27	126	49.79	5.1	1.55			0.97	4877	1430	38	0.90		
30	112	44.46	5.0	1.75			1.1	4300	1261	38	1.00		
35	96	37.97	4.8	2.10			1.3	3758	1102	38	1.15		
37	90	35.57	4.7	2.20			1.5	3264	957	38	1.30		
44	76	29.96	4.6	2.60			1.6	2916	855	38	1.45	GK97R57	
46	73	28.83	4.5	2.70	GK37	4P	1.9	2534	743	38	1.70	GKF97R57	
53	63	24.99	4.4	3.10	GKF37		2.1	2220	651	38	1.95	GKA97R57	
57	59	23.36	4.3	3.30	GKA37		2.4	1954	573	38	2.20	GKAF97R57	
66	51	20.19	4.1	3.60	GKAF37		2.8	1719	504	38	2.50		
78	43	17.15	4.0	4.10			3.2	1490	437	38	2.90		
87	39	15.32	3.8	4.50			3.6	1303	382	38	3.30		
102	33	13.08	3.7	4.90			4.6	1040	305	38	4.15		
110	31	12.14	3.6	5.10			1.5	3243	951	25	0.85		
127	26	10.49	3.4	5.90			1.7	2854	837	26	0.95		
149	22	8.91	3.3	7.00			1.9	2476	726	26	1.10		
167	20	7.96	3.2	7.60		2.2	2176	638	27	1.25			
196	17	6.80	3.0	8.60		2.5	1917	562	27	1.40	GK87R57		
209	16	6.37	3.0	8.90		2.9	1617	474	27	1.65	GKF87R57		
248	14	5.36	2.8	10		3.3	1453	426	27	1.85	GKA87R57		
0.55kW							0.55kW						
0.09	51772	15181	162	0.95			3.7	1272	373	27	2.10	GKAF87R57	
0.11	43519	12761	171	1.10	GK187R97	4P	4.2	1125	330	27	2.40		
0.12	39993	11727	171	1.20	GKA187R97		4.7	1003	294	27	2.70		
0.13	35515	10414	171	1.35			5.6	853	250	27	3.15		
0.21	22389	6565	171	2.10			5.9	805	236	27	3.35		
0.12	39219	11500	135	0.85			6.9	685	201	27	3.95		
0.14	34782	10199	135	0.95		2.5	1886	553	5.5	0.80			
0.16	29237	8573	135	1.15	GK167R97	4P	2.9	1654	485	14	0.95		
0.22	22007	6453	135	1.50	GKA167R97		3.2	1460	428	15	1.05		
0.26	17959	5266	135	1.85			3.8	1255	368	16	1.25	GK77R37	
0.34	13822	4053	135	2.40			4.2	1119	328	17	1.40	GKF77R37	
0.20	23709	6952	104	0.75	GK157R97		4P	4.8	992	291	17	1.55	GKA77R37
0.23	20616	6045	106	0.85	GKF157R97	5.5		859	252	18	1.80	GKAF77R37	
0.39	12202	3578	109	1.50	GKA157R97	6.3		754	221	18	2.05		
0.45	10606	3110	110	1.70	GKAF157R97	7.1		665	195	18	2.35		
0.32	14774	4332	72	0.90		7.9		597	175	19	2.60		
0.36	13143	3854	75	1.00	GK127R77	4P	9.0	525	154	19	2.95		
0.42	11193	3282	76	1.15	GKF127R77		5.0	951	279	7	0.85		
0.47	10170	2982	77	1.30	GKA127R77		5.7	839	246	10	1.00		
0.54	8812	2584	77	1.50	GKAF127R77		6.4	740	217	10	1.10	GK67R37	
0.73	6510	1909	78	2.00			7.3	651	191	11	1.25	GKF67R37	
0.80	5937	1741	78	2.20	GK127R77	4P	8.4	566	166	11	1.45	GKA67R37	
0.91	5208	1527	78	2.50	GKF127R77		9.7	491	144	12	1.65	GKAF67R37	
1.0	4553	1335	78	2.85	GKA127R77		11	416	122	12	1.95		
1.2	3994	1171	78	3.25	GKAF127R77		7.2	655	192	4.9	0.90		
1.4	3410	1000	78	3.80			8.4	566	166	7.5	1.05	GK57R37	
0.47	10153	2977	62	0.80	GK107R77	4P	9.6	495	145	8.0	1.20	GKF57R37	
0.54	8860	2598	62	0.90	GKF107R77		11	440	129	8.2	1.35	GKA57R37	
0.61	7796	2286	62	1.05	GKA107R77		13	379	111	8.5	1.60	GKAF57R37	
0.72	6613	1939	62	1.20	GKAF107R77		14	331	97	8.7	1.80		
0.81	5842	1713	62	1.35	GK107R77							GK87	
0.89	5303	1555	62	1.50	GKF107R77	4P	3.8	1317	174.19	27	2.00	GKF87	
1.0	4556	1336	62	1.75	GKA107R77		4.0	1242	164.34	27	2.10	GKA87	
1.2	3976	1166	62	2.00	GKAF107R77		4.5	1114	147.32	27	2.40	GKAF87	

选型参数表
(恒功率)

Selection Table
(Constant Power)

n_a [r/min]	M_a [Nm]	i	F_{ra} [kN]	f_B	机型号 Type size	极数 Pole	n_a [r/min]	M_a [Nm]	i	F_{ra} [kN]	f_B	机型号 Type size	极数 Pole																																																																																																																																																																																																																																																																																																																																																																																																																																																																																																																																																																																										
0.55kW							0.55kW																																																																																																																																																																																																																																																																																																																																																																																																																																																																																																																																																																																																
4.5	1107	197.37	27	2.30	GK87	6P	106	47	13.08	3.5	3.30	GK37 GKF37 GKA37 GKAF37	4P																																																																																																																																																																																																																																																																																																																																																																																																																																																																																																																																																																																										
5.1	977	174.19	27	2.70	GKF87		5.4	921	164.34	27	2.80			GKA87	6.0	826	147.32	27	3.10	GKAF87	4.9	1025	135.51	17	1.50	GK77	8P	175	29	7.96	3.1	5.10	GKAF37		5.1	973	128.73	17	1.55	GKF77	5.8	860	113.75	18	1.75	GKA77	6.8	735	97.21	18	2.10	GKAF77	5.8	865	154.28	18	1.70	GK77	6P	0.75kW							6.6	760	135.51	18	1.95	GKF77	6.9	722	128.73	18	2.10	GKA77	7.8	638	113.75	18	2.30	GKAF77	9.0	554	154.28	19	2.60	GK77 GKF77 GKA77 GKAF77	4P	0.12	54536	11727	158	0.85	GK187R97 GKA187R97	4P	10	486	135.51	19	3.00		11	462	128.73	19	3.10		12	408	113.75	19	3.50		14	349	97.21	19	4.10		7.2	693	123.54	11	1.15	GK67 GKF67 GKA67 GKAF67	6P	0.21	30530	6565	171	1.50	GK167R97 GKA167R97	4P	8.2	606	108.02	11	1.30		8.7	575	102.62	11	1.35		9.9	505	90.04	12	1.55		12	428	76.37	12	1.85		11	443	123.54	12	1.70	GK67 GKF67 GKA67 GKAF67	4P	0.26	24917	5358	171	1.90	GK157R97 GKF157R97 GKA157R97 GKAF157R97	4P	13	388	108.02	12	1.95		15	323	90.04	12	2.40		18	274	76.37	12	2.80		8.2	607	108.29	7.0	0.95	GK57 GKF57 GKA57 GKAF57	6P	0.39	16639	3578	107	1.10	GK157R97 GKF157R97 GKA157R97 GKAF157R97	4P	8.7	577	102.88	7.2	1.00		9.9	506	90.26	7.8	1.15		12	429	76.56	8.2	1.35		13	388	69.12	8.4	1.50		15	341	60.81	8.6	1.70	GK57 GKF57 GKA57 GKAF57	4P	0.45	14463	3110	108	1.25	GK157R97 GKF157R97 GKA157R97 GKAF157R97	4P	15	322	57.42	8.7	1.80		11	445	123.85	8.1	1.25		13	389	108.29	8.4	1.45		14	369	102.88	8.4	1.50		15	324	90.26	8.6	1.70		18	275	76.56	8.8	2.00		20	248	69.12	8.9	2.20		23	218	60.81	9.0	2.60		24	206	57.42	9.1	2.70		13	375	104.37	5.6	1.00	GK47 GKF47 GKA47 GKAF47	4P	0.83	7757	1668	110	2.30	GK127R77 GKF127R77 GKA127R77 GKAF127R77	4P	15	326	90.86	6.2	1.15		16	306	85.12	6.5	1.50		18	270	75.20	6.8	1.40		20	251	69.84	6.9	1.50		22	227	63.30	7.1	1.65		24	204	56.83	7.3	1.80		28	176	48.95	7.4	2.10		30	165	46.04	7.5	2.20		24	210	58.61	4.6	0.90	GK47 GKF47 GKA47 GKAF47	4P	1.0	6385	1373	110	2.80	GK127R77 GKF127R77 GKA127R77 GKAF127R77	4P	28	179	49.79	4.6	1.05		31	160	44.46	4.5	1.15		37	136	37.97	4.4	1.35		39	128	35.57	4.4	1.45		46	108	29.96	4.2	1.75		48	103	28.83	4.2	1.80		56	90	24.99	4.1	2.10		60	84	23.36	4.0	2.20		69	72	20.19	3.9	2.40		81	62	17.15	3.8	2.70		91	55	15.31	3.7	3.00		1.3	5125	1102	38	0.85	GK107R77 GKF107R77 GKA107R77 GKAF107R77	4P	1.3	5125	1102	38	0.85	GK107R77 GKF107R77 GKA107R77 GKAF107R77	4P	1.5	4451	957	38	0.95		1.6	3976	855	38	1.10		1.9	3455	743	38	1.25		2.1	3027	651	38	1.40		2.4	2665	573	38	1.60		2.8	2344	504	38	1.85		3.2	2032	437	38	2.10		3.6	1776	382	38	2.40		4.6	1418	305	38	3.05		5.4	1200	258	38	3.60		6.0	1079	232	38	4.00		7.0	925	199	38	4.65																																																										
5.4	921	164.34	27	2.80	GKA87		6.0	826	147.32	27	3.10			GKAF87	4.9	1025	135.51	17	1.50	GK77	8P	175	29	7.96	3.1	5.10		GKAF37		5.1	973	128.73			17	1.55	GKF77	5.8	860	113.75	18	1.75	GKA77	6.8	735	97.21	18	2.10	GKAF77	5.8	865	154.28	18	1.70	GK77	6P	0.75kW							6.6	760	135.51	18	1.95	GKF77	6.9	722	128.73	18	2.10	GKA77	7.8	638	113.75	18	2.30	GKAF77	9.0	554	154.28	19	2.60	GK77 GKF77 GKA77 GKAF77	4P	0.12			54536	11727	158	0.85	GK187R97 GKA187R97			4P	10	486	135.51	19	3.00		11	462	128.73	19	3.10		12	408	113.75	19	3.50		14	349	97.21	19	4.10		7.2	693	123.54	11			1.15	GK67 GKF67 GKA67 GKAF67	6P	0.21	30530			6565	171	1.50	GK167R97 GKA167R97	4P	8.2	606	108.02	11	1.30		8.7	575	102.62	11	1.35		9.9	505	90.04	12	1.55		12	428	76.37	12	1.85				11	443	123.54	12	1.70			GK67 GKF67 GKA67 GKAF67	4P	0.26	24917	5358	171	1.90	GK157R97 GKF157R97 GKA157R97 GKAF157R97	4P	13	388	108.02	12	1.95		15	323	90.04	12	2.40		18	274			76.37	12	2.80		8.2			607	108.29	7.0	0.95	GK57 GKF57 GKA57 GKAF57	6P	0.39	16639	3578	107	1.10	GK157R97 GKF157R97 GKA157R97 GKAF157R97	4P	8.7	577	102.88	7.2	1.00		9.9	506	90.26	7.8	1.15		12	429	76.56	8.2			1.35		13	388	69.12			8.4	1.50		15	341	60.81	8.6	1.70	GK57 GKF57 GKA57 GKAF57	4P	0.45	14463	3110	108	1.25	GK157R97 GKF157R97 GKA157R97 GKAF157R97	4P	15	322	57.42	8.7	1.80		11	445	123.85	8.1	1.25		13	389	108.29	8.4	1.45		14	369	102.88	8.4	1.50		15	324	90.26	8.6	1.70		18	275	76.56	8.8	2.00		20	248	69.12	8.9	2.20				23	218	60.81	9.0	2.60				24	206	57.42	9.1	2.70		13	375	104.37	5.6	1.00	GK47 GKF47 GKA47 GKAF47	4P	0.83	7757	1668	110	2.30	GK127R77 GKF127R77 GKA127R77 GKAF127R77	4P	15	326	90.86	6.2	1.15		16	306	85.12	6.5	1.50		18	270	75.20	6.8	1.40		20	251	69.84	6.9	1.50		22	227	63.30	7.1	1.65		24	204			56.83	7.3	1.80		28			176	48.95	7.4	2.10		30	165	46.04	7.5	2.20		24	210	58.61	4.6	0.90	GK47 GKF47 GKA47 GKAF47	4P	1.0	6385	1373	110	2.80	GK127R77 GKF127R77 GKA127R77 GKAF127R77	4P	28	179	49.79	4.6	1.05		31	160	44.46	4.5	1.15		37	136	37.97	4.4	1.35		39	128	35.57	4.4	1.45		46	108	29.96	4.2	1.75		48	103	28.83	4.2	1.80		56	90	24.99	4.1	2.10		60	84	23.36	4.0			2.20		69	72	20.19			3.9	2.40		81	62	17.15	3.8	2.70		91	55	15.31	3.7	3.00		1.3	5125	1102	38	0.85	GK107R77 GKF107R77 GKA107R77 GKAF107R77	4P	1.3	5125	1102	38	0.85	GK107R77 GKF107R77 GKA107R77 GKAF107R77	4P	1.5	4451	957	38	0.95		1.6	3976	855	38	1.10		1.9	3455	743	38	1.25		2.1	3027	651	38	1.40		2.4	2665	573	38	1.60		2.8	2344	504	38	1.85		3.2	2032	437	38	2.10		3.6	1776	382	38	2.40		4.6	1418	305	38	3.05		5.4	1200	258	38	3.60		6.0	1079	232	38	4.00		7.0	925	199	38	4.65																													
6.0	826	147.32	27	3.10	GKAF87		4.9	1025	135.51	17	1.50			GK77	8P	175	29	7.96	3.1	5.10		GKAF37		5.1	973	128.73				17	1.55	GKF77			5.8	860	113.75	18	1.75	GKA77	6.8	735	97.21	18	2.10	GKAF77	5.8	865	154.28	18	1.70	GK77	6P	0.75kW							6.6	760	135.51	18	1.95	GKF77	6.9	722	128.73	18	2.10	GKA77	7.8	638	113.75	18	2.30	GKAF77	9.0	554	154.28	19	2.60	GK77 GKF77 GKA77 GKAF77	4P	0.12			54536			11727	158	0.85	GK187R97 GKA187R97					4P	10	486	135.51	19	3.00		11	462	128.73	19	3.10		12	408	113.75	19	3.50		14	349	97.21	19	4.10		7.2	693	123.54			11			1.15	GK67 GKF67 GKA67 GKAF67			6P	0.21	30530			6565	171	1.50	GK167R97 GKA167R97	4P	8.2	606	108.02	11	1.30		8.7	575	102.62	11	1.35		9.9	505	90.04	12	1.55		12			428	76.37	12	1.85						11	443	123.54	12	1.70			GK67 GKF67 GKA67 GKAF67	4P	0.26	24917	5358	171	1.90	GK157R97 GKF157R97 GKA157R97 GKAF157R97	4P	13	388	108.02	12	1.95				15	323	90.04	12			2.40		18	274			76.37	12	2.80		8.2			607	108.29	7.0	0.95	GK57 GKF57 GKA57 GKAF57	6P	0.39	16639	3578	107	1.10	GK157R97 GKF157R97 GKA157R97 GKAF157R97	4P	8.7	577	102.88			7.2	1.00		9.9	506			90.26	7.8	1.15		12	429	76.56	8.2			1.35		13	388	69.12			8.4	1.50		15	341	60.81	8.6	1.70	GK57 GKF57 GKA57 GKAF57	4P	0.45	14463	3110	108	1.25	GK157R97 GKF157R97 GKA157R97 GKAF157R97	4P	15	322	57.42	8.7	1.80		11	445	123.85	8.1	1.25		13	389	108.29	8.4	1.45		14	369	102.88	8.4	1.50		15			324	90.26	8.6	1.70				18	275	76.56	8.8	2.00		20	248	69.12	8.9	2.20				23	218	60.81	9.0	2.60				24	206	57.42	9.1	2.70		13	375	104.37	5.6	1.00	GK47 GKF47 GKA47 GKAF47	4P	0.83	7757	1668	110	2.30	GK127R77 GKF127R77 GKA127R77 GKAF127R77	4P	15	326	90.86	6.2	1.15		16	306	85.12	6.5	1.50				18	270	75.20	6.8			1.40		20	251	69.84	6.9	1.50		22	227	63.30	7.1	1.65		24	204			56.83	7.3	1.80		28			176	48.95	7.4	2.10		30	165	46.04	7.5	2.20		24	210	58.61	4.6	0.90	GK47 GKF47 GKA47 GKAF47	4P	1.0	6385	1373	110	2.80	GK127R77 GKF127R77 GKA127R77 GKAF127R77	4P	28	179	49.79	4.6	1.05		31	160	44.46	4.5	1.15		37	136	37.97	4.4	1.35		39	128	35.57			4.4	1.45		46	108			29.96	4.2	1.75		48	103	28.83	4.2	1.80		56	90	24.99	4.1	2.10		60	84	23.36	4.0			2.20		69	72	20.19			3.9	2.40		81	62	17.15	3.8	2.70		91	55	15.31	3.7	3.00		1.3	5125	1102	38	0.85	GK107R77 GKF107R77 GKA107R77 GKAF107R77	4P	1.3	5125	1102	38	0.85	GK107R77 GKF107R77 GKA107R77 GKAF107R77	4P	1.5	4451	957	38	0.95		1.6	3976	855	38	1.10		1.9	3455	743	38	1.25		2.1	3027	651	38	1.40		2.4	2665	573	38	1.60		2.8	2344	504	38	1.85		3.2	2032	437	38	2.10		3.6	1776	382	38	2.40		4.6	1418	305	38	3.05		5.4	1200	258	38	3.60		6.0	1079	232	38	4.00		7.0	925	199	38	4.65
4.9	1025	135.51	17	1.50	GK77	8P	175	29	7.96	3.1	5.10	GKAF37																																																																																																																																																																																																																																																																																																																																																																																																																																																																																																																																																																																											
5.1	973	128.73	17	1.55	GKF77		5.8	860	113.75	18	1.75			GKA77		6.8	735	97.21	18	2.10				GKAF77	5.8	865	154.28			18	1.70	GK77	6P	0.75kW							6.6	760	135.51	18	1.95	GKF77	6.9	722	128.73	18	2.10	GKA77		7.8	638		113.75	18	2.30	GKAF77	9.0	554	154.28	19	2.60	GK77 GKF77 GKA77 GKAF77	4P	0.12	54536	11727	158	0.85	GK187R97 GKA187R97	4P	10	486	135.51	19	3.00		11	462	128.73			19			3.10		12	408	113.75	19			3.50				14	349	97.21	19	4.10		7.2	693	123.54	11	1.15	GK67 GKF67 GKA67 GKAF67	6P	0.21	30530	6565	171	1.50	GK167R97 GKA167R97	4P	8.2	606	108.02	11	1.30		8.7	575	102.62	11			1.35			9.9		505	90.04			12	1.55				12	428	76.37	12	1.85		11	443	123.54	12	1.70	GK67 GKF67 GKA67 GKAF67	4P	0.26	24917	5358	171	1.90	GK157R97 GKF157R97 GKA157R97 GKAF157R97	4P	13	388	108.02	12	1.95		15	323			90.04	12	2.40		18					274	76.37	12	2.80				8.2	607	108.29	7.0	0.95	GK57 GKF57 GKA57 GKAF57	6P	0.39	16639	3578	107	1.10	GK157R97 GKF157R97 GKA157R97 GKAF157R97	4P	8.7	577	102.88	7.2			1.00		9.9	506	90.26			7.8	1.15		12			429	76.56	8.2	1.35				13	388	69.12	8.4	1.50		15	341	60.81	8.6	1.70	GK57 GKF57 GKA57 GKAF57	4P	0.45	14463	3110	108	1.25	GK157R97 GKF157R97 GKA157R97 GKAF157R97	4P			15	322	57.42	8.7	1.80				11	445	123.85	8.1	1.25		13			389	108.29	8.4	1.45				14	369	102.88	8.4	1.50		15	324	90.26	8.6	1.70		18	275	76.56	8.8	2.00		20	248	69.12	8.9	2.20		23	218	60.81	9.0	2.60		24	206	57.42	9.1	2.70		13	375	104.37	5.6	1.00	GK47 GKF47 GKA47 GKAF47	4P	0.83	7757	1668			110	2.30	GK127R77 GKF127R77 GKA127R77 GKAF127R77	4P	15			326	90.86	6.2	1.15		16	306	85.12	6.5	1.50		18			270	75.20	6.8	1.40				20	251	69.84	6.9	1.50		22	227	63.30	7.1	1.65		24	204	56.83	7.3	1.80		28	176	48.95	7.4	2.10		30	165	46.04	7.5	2.20		24	210	58.61	4.6	0.90	GK47 GKF47 GKA47 GKAF47			4P	1.0	6385	1373	110			2.80	GK127R77 GKF127R77 GKA127R77 GKAF127R77	4P	28	179	49.79	4.6	1.05		31	160	44.46	4.5	1.15		37			136	37.97	4.4	1.35				39	128	35.57	4.4	1.45		46	108	29.96	4.2	1.75		48	103	28.83	4.2	1.80		56	90	24.99	4.1	2.10		60	84	23.36	4.0	2.20		69	72	20.19	3.9	2.40		81	62	17.15	3.8	2.70		91	55	15.31	3.7	3.00		1.3	5125			1102	38	0.85	GK107R77 GKF107R77 GKA107R77 GKAF107R77	4P			1.3	5125	1102	38	0.85	GK107R77 GKF107R77 GKA107R77 GKAF107R77	4P	1.5	4451	957	38	0.95		1.6	3976	855	38	1.10		1.9			3455	743	38	1.25				2.1	3027	651	38	1.40		2.4	2665	573	38	1.60		2.8	2344	504	38	1.85		3.2	2032	437	38	2.10		3.6	1776	382	38	2.40		4.6	1418	305	38	3.05		5.4	1200	258	38	3.60		6.0	1079	232	38	4.00		7.0	925	199	38	4.65																		
5.8	860	113.75	18	1.75	GKA77		6.8	735	97.21	18	2.10			GKAF77		5.8	865	154.28	18	1.70	GK77			6P	0.75kW							6.6		760	135.51	18	1.95	GKF77	6.9	722	128.73	18	2.10	GKA77	7.8	638	113.75	18	2.30	GKAF77	9.0	554		154.28	19	2.60	GK77 GKF77 GKA77 GKAF77	4P	0.12	54536	11727	158	0.85	GK187R97 GKA187R97	4P			10	486	135.51	19	3.00				11	462	128.73	19	3.10		12	408			113.75	19	3.50		14	349	97.21	19	4.10			7.2	693	123.54		11	1.15	GK67 GKF67 GKA67 GKAF67	6P	0.21	30530	6565	171	1.50	GK167R97 GKA167R97	4P			8.2	606	108.02	11	1.30				8.7	575	102.62	11	1.35		9.9	505	90.04	12	1.55			12	428		76.37	12	1.85		11	443	123.54			12	1.70	GK67 GKF67 GKA67 GKAF67	4P	0.26	24917	5358	171	1.90	GK157R97 GKF157R97 GKA157R97 GKAF157R97	4P			13	388	108.02	12	1.95				15	323	90.04	12	2.40		18	274	76.37	12	2.80		8.2	607	108.29	7.0			0.95	GK57 GKF57 GKA57 GKAF57	6P	0.39	16639			3578	107	1.10	GK157R97 GKF157R97 GKA157R97 GKAF157R97	4P			8.7	577	102.88	7.2	1.00				9.9	506	90.26	7.8	1.15		12	429	76.56	8.2	1.35		13	388	69.12	8.4			1.50		15	341	60.81			8.6	1.70	GK57 GKF57 GKA57 GKAF57	4P	0.45	14463	3110	108	1.25	GK157R97 GKF157R97 GKA157R97 GKAF157R97	4P			15	322	57.42	8.7	1.80				11	445	123.85	8.1	1.25		13	389	108.29	8.4	1.45		14	369	102.88	8.4			1.50		15	324	90.26			8.6	1.70		18	275	76.56	8.8	2.00		20	248	69.12	8.9	2.20		23	218	60.81	9.0	2.60		24	206	57.42	9.1	2.70		13	375	104.37	5.6	1.00	GK47 GKF47 GKA47 GKAF47	4P	0.83	7757	1668	110	2.30	GK127R77 GKF127R77 GKA127R77 GKAF127R77	4P			15	326	90.86	6.2	1.15		16			306	85.12	6.5	1.50		18	270	75.20	6.8	1.40		20	251	69.84	6.9			1.50		22	227	63.30			7.1	1.65		24	204	56.83	7.3	1.80		28	176	48.95	7.4	2.10		30	165	46.04	7.5	2.20		24	210	58.61	4.6	0.90	GK47 GKF47 GKA47 GKAF47	4P	1.0	6385	1373	110	2.80	GK127R77 GKF127R77 GKA127R77 GKAF127R77	4P		28	179		49.79	4.6	1.05		31	160	44.46			4.5	1.15		37	136	37.97	4.4	1.35		39	128	35.57	4.4			1.45		46	108	29.96			4.2	1.75		48	103	28.83	4.2	1.80		56	90	24.99	4.1	2.10		60	84	23.36	4.0	2.20		69	72	20.19	3.9	2.40		81	62	17.15	3.8	2.70		91	55	15.31	3.7	3.00		1.3	5125	1102	38	0.85	GK107R77 GKF107R77 GKA107R77 GKAF107R77	4P	1.3	5125	1102	38	0.85	GK107R77 GKF107R77 GKA107R77 GKAF107R77	4P	1.5	4451			957	38	0.95		1.6	3976	855			38	1.10		1.9	3455	743	38	1.25		2.1	3027	651	38			1.40		2.4	2665	573			38	1.60		2.8	2344	504	38	1.85		3.2	2032	437	38	2.10		3.6	1776	382	38	2.40		4.6	1418	305	38	3.05		5.4	1200	258	38	3.60		6.0	1079	232	38	4.00		7.0	925	199	38	4.65																											
6.8	735	97.21	18	2.10	GKAF77		5.8	865	154.28	18	1.70			GK77	6P	0.75kW							6.6		760	135.51	18	1.95	GKF77	6.9	722	128.73		18	2.10	GKA77	7.8	638	113.75	18	2.30	GKAF77	9.0	554	154.28	19	2.60	GK77 GKF77 GKA77 GKAF77	4P	0.12	54536	11727	158	0.85	GK187R97 GKA187R97	4P			10	486	135.51	19	3.00						11	462	128.73	19			3.10		12	408	113.75	19	3.50		14	349	97.21	19	4.10		7.2	693	123.54	11	1.15	GK67 GKF67 GKA67 GKAF67	6P	0.21	30530	6565	171	1.50	GK167R97 GKA167R97	4P			8.2	606	108.02	11	1.30						8.7	575	102.62	11			1.35		9.9	505	90.04	12	1.55		12	428	76.37	12	1.85		11	443	123.54	12	1.70	GK67 GKF67 GKA67 GKAF67	4P	0.26	24917	5358	171	1.90	GK157R97 GKF157R97 GKA157R97 GKAF157R97	4P			13	388	108.02	12	1.95						15	323	90.04	12			2.40		18	274	76.37	12	2.80		8.2	607	108.29	7.0	0.95	GK57 GKF57 GKA57 GKAF57	6P	0.39	16639	3578	107	1.10			GK157R97 GKF157R97 GKA157R97 GKAF157R97	4P	8.7	577	102.88	7.2	1.00						9.9	506	90.26	7.8			1.15		12	429	76.56	8.2	1.35		13	388	69.12	8.4	1.50		15	341	60.81	8.6	1.70	GK57 GKF57 GKA57 GKAF57	4P	0.45	14463	3110	108	1.25	GK157R97 GKF157R97 GKA157R97 GKAF157R97	4P			15	322	57.42	8.7	1.80						11	445	123.85	8.1			1.25		13	389	108.29	8.4	1.45		14	369	102.88	8.4	1.50		15	324	90.26	8.6	1.70		18	275	76.56	8.8	2.00		20	248	69.12	8.9	2.20		23	218	60.81	9.0	2.60		24	206	57.42	9.1	2.70		13	375	104.37	5.6	1.00	GK47 GKF47 GKA47 GKAF47	4P	0.83	7757	1668	110	2.30	GK127R77 GKF127R77 GKA127R77 GKAF127R77	4P			15	326	90.86	6.2	1.15						16	306	85.12	6.5	1.50				18	270	75.20	6.8	1.40		20	251	69.84	6.9	1.50		22	227	63.30	7.1	1.65		24	204	56.83	7.3	1.80		28	176	48.95	7.4	2.10		30	165	46.04	7.5	2.20		24	210	58.61	4.6	0.90	GK47 GKF47 GKA47 GKAF47	4P	1.0	6385	1373	110	2.80	GK127R77 GKF127R77 GKA127R77 GKAF127R77	4P			28	179	49.79	4.6	1.05					31		160	44.46	4.5	1.15		37	136			37.97	4.4	1.35		39	128	35.57	4.4	1.45		46	108	29.96	4.2	1.75		48	103	28.83	4.2	1.80		56	90	24.99	4.1	2.10		60	84	23.36	4.0	2.20		69	72	20.19	3.9	2.40		81	62	17.15	3.8	2.70		91	55	15.31	3.7	3.00		1.3	5125	1102	38	0.85	GK107R77 GKF107R77 GKA107R77 GKAF107R77	4P	1.3	5125	1102	38	0.85	GK107R77 GKF107R77 GKA107R77 GKAF107R77	4P			1.5	4451	957	38	0.95				1.6			3976	855	38	1.10		1.9	3455			743	38	1.25		2.1	3027	651	38	1.40		2.4	2665	573	38	1.60		2.8	2344	504	38	1.85		3.2	2032	437	38	2.10		3.6	1776	382	38	2.40		4.6	1418	305	38	3.05		5.4	1200	258	38	3.60		6.0	1079	232	38	4.00		7.0	925	199	38	4.65																																				
5.8	865	154.28	18	1.70	GK77	6P	0.75kW																																																																																																																																																																																																																																																																																																																																																																																																																																																																																																																																																																																																
6.6	760	135.51	18	1.95	GKF77		6.9	722	128.73	18	2.10	GKA77	7.8	638		113.75	18	2.30	GKAF77	9.0	554	154.28	19		2.60	GK77 GKF77 GKA77 GKAF77	4P	0.12	54536	11727	158	0.85	GK187R97 GKA187R97	4P	10	486	135.51	19	3.00		11	462	128.73	19	3.10		12			408	113.75	19	3.50						14	349	97.21	19	4.10				7.2	693	123.54	11	1.15	GK67 GKF67 GKA67 GKAF67	6P	0.21	30530	6565	171	1.50	GK167R97 GKA167R97	4P	8.2	606	108.02	11	1.30		8.7	575	102.62	11	1.35		9.9			505	90.04	12	1.55						12	428	76.37	12	1.85				11	443	123.54	12	1.70	GK67 GKF67 GKA67 GKAF67	4P	0.26	24917	5358	171	1.90	GK157R97 GKF157R97 GKA157R97 GKAF157R97	4P	13	388	108.02	12	1.95		15	323	90.04	12	2.40		18			274	76.37	12	2.80						8.2	607	108.29	7.0	0.95			GK57 GKF57 GKA57 GKAF57	6P	0.39	16639	3578	107	1.10	GK157R97 GKF157R97 GKA157R97 GKAF157R97	4P	8.7	577	102.88	7.2	1.00		9.9	506	90.26	7.8	1.15		12			429	76.56	8.2	1.35						13	388	69.12	8.4	1.50				15	341	60.81	8.6	1.70	GK57 GKF57 GKA57 GKAF57	4P	0.45	14463	3110	108	1.25	GK157R97 GKF157R97 GKA157R97 GKAF157R97	4P	15	322	57.42	8.7	1.80		11	445	123.85	8.1	1.25		13			389	108.29	8.4	1.45						14	369	102.88	8.4	1.50				15	324	90.26	8.6	1.70		18	275	76.56	8.8	2.00		20	248	69.12	8.9	2.20		23	218	60.81	9.0	2.60		24	206	57.42	9.1	2.70		13	375	104.37	5.6	1.00	GK47 GKF47 GKA47 GKAF47	4P	0.83	7757	1668	110	2.30	GK127R77 GKF127R77 GKA127R77 GKAF127R77	4P	15	326	90.86	6.2	1.15		16	306	85.12	6.5	1.50		18			270	75.20	6.8	1.40						20	251	69.84	6.9	1.50				22	227	63.30	7.1	1.65		24	204	56.83	7.3	1.80		28	176	48.95	7.4	2.10		30	165	46.04	7.5	2.20		24	210	58.61	4.6	0.90	GK47 GKF47 GKA47 GKAF47	4P	1.0	6385	1373	110	2.80	GK127R77 GKF127R77 GKA127R77 GKAF127R77	4P	28	179	49.79	4.6	1.05		31	160	44.46	4.5	1.15		37			136	37.97	4.4	1.35						39	128	35.57	4.4	1.45				46	108	29.96	4.2	1.75		48	103	28.83	4.2	1.80		56	90	24.99	4.1	2.10		60	84	23.36	4.0	2.20		69	72	20.19	3.9	2.40		81	62	17.15	3.8	2.70		91	55	15.31	3.7	3.00		1.3	5125	1102	38	0.85	GK107R77 GKF107R77 GKA107R77 GKAF107R77	4P	1.3	5125	1102	38	0.85	GK107R77 GKF107R77 GKA107R77 GKAF107R77	4P	1.5	4451	957	38	0.95		1.6	3976	855	38	1.10		1.9			3455	743	38	1.25						2.1	3027	651	38	1.40				2.4	2665	573	38	1.60		2.8	2344	504	38	1.85		3.2	2032	437	38	2.10		3.6	1776	382	38	2.40		4.6	1418	305	38	3.05		5.4	1200	258	38	3.60		6.0	1079	232	38	4.00		7.0	925	199	38	4.65																																																										
6.9	722	128.73	18	2.10	GKA77		7.8	638	113.75	18	2.30	GKAF77	9.0	554		154.28	19	2.60	GK77 GKF77 GKA77 GKAF77	4P	0.12	54536	11727	158	0.85			GK187R97 GKA187R97	4P	10	486	135.51			19	3.00		11	462	128.73	19	3.10		12	408	113.75	19			3.50		14	349	97.21			19	4.10		7.2	693	123.54	11	1.15	GK67 GKF67 GKA67 GKAF67	6P	0.21	30530	6565	171	1.50			GK167R97 GKA167R97	4P	8.2	606	108.02			11	1.30		8.7	575	102.62	11	1.35		9.9	505	90.04	12			1.55		12	428	76.37			12	1.85		11	443	123.54	12	1.70	GK67 GKF67 GKA67 GKAF67	4P	0.26	24917	5358	171	1.90			GK157R97 GKF157R97 GKA157R97 GKAF157R97	4P	13	388	108.02			12	1.95		15	323	90.04	12	2.40		18	274	76.37	12			2.80		8.2	607	108.29			7.0	0.95	GK57 GKF57 GKA57 GKAF57	6P	0.39	16639	3578	107	1.10			GK157R97 GKF157R97 GKA157R97 GKAF157R97	4P	8.7	577	102.88			7.2	1.00		9.9	506	90.26	7.8	1.15		12	429	76.56	8.2			1.35		13	388	69.12	8.4	1.50				15	341	60.81	8.6	1.70	GK57 GKF57 GKA57 GKAF57	4P	0.45	14463	3110	108	1.25			GK157R97 GKF157R97 GKA157R97 GKAF157R97	4P	15	322	57.42			8.7	1.80		11	445	123.85	8.1	1.25		13	389	108.29	8.4			1.45		14	369	102.88			8.4	1.50		15	324	90.26	8.6	1.70		18	275	76.56	8.8	2.00		20	248	69.12	8.9	2.20		23	218	60.81	9.0	2.60		24	206	57.42	9.1	2.70		13	375	104.37	5.6	1.00	GK47 GKF47 GKA47 GKAF47	4P	0.83	7757	1668	110	2.30			GK127R77 GKF127R77 GKA127R77 GKAF127R77	4P	15	326	90.86			6.2	1.15		16	306	85.12	6.5	1.50		18	270	75.20	6.8			1.40		20	251	69.84			6.9	1.50		22	227	63.30	7.1	1.65		24	204	56.83	7.3	1.80		28	176	48.95	7.4	2.10		30	165	46.04	7.5	2.20		24	210	58.61	4.6	0.90	GK47 GKF47 GKA47 GKAF47	4P	1.0	6385	1373	110	2.80			GK127R77 GKF127R77 GKA127R77 GKAF127R77	4P	28	179	49.79			4.6	1.05		31	160	44.46	4.5	1.15		37	136	37.97	4.4			1.35		39	128	35.57			4.4	1.45		46	108	29.96	4.2	1.75		48	103	28.83	4.2	1.80		56	90	24.99	4.1	2.10		60	84	23.36	4.0	2.20		69	72	20.19	3.9	2.40		81	62	17.15	3.8	2.70		91	55	15.31	3.7	3.00		1.3	5125	1102	38	0.85	GK107R77 GKF107R77 GKA107R77 GKAF107R77	4P	1.3	5125	1102	38	0.85			GK107R77 GKF107R77 GKA107R77 GKAF107R77	4P	1.5	4451	957			38	0.95		1.6	3976	855	38	1.10		1.9	3455	743	38			1.25		2.1	3027	651			38	1.40		2.4	2665	573	38	1.60		2.8	2344	504	38	1.85		3.2	2032	437	38	2.10		3.6	1776	382	38	2.40		4.6	1418	305	38	3.05		5.4	1200	258	38	3.60		6.0	1079	232	38	4.00		7.0	925	199	38	4.65																																																																	
7.8	638	113.75	18	2.30	GKAF77		9.0	554	154.28	19	2.60	GK77 GKF77 GKA77 GKAF77	4P	0.12	54536	11727	158	0.85			GK187R97 GKA187R97	4P	10	486	135.51					19	3.00				11	462	128.73	19	3.10		12	408	113.75	19	3.50		14	349	97.21	19	4.10		7.2	693	123.54	11	1.15	GK67 GKF67 GKA67 GKAF67	6P	0.21	30530	6565	171	1.50			GK167R97 GKA167R97	4P	8.2	606	108.02					11	1.30				8.7	575	102.62	11	1.35		9.9	505	90.04	12	1.55		12	428	76.37	12	1.85		11	443	123.54	12	1.70	GK67 GKF67 GKA67 GKAF67	4P	0.26	24917	5358	171	1.90			GK157R97 GKF157R97 GKA157R97 GKAF157R97	4P	13	388	108.02					12	1.95				15	323	90.04	12	2.40		18	274	76.37	12	2.80		8.2	607	108.29	7.0	0.95	GK57 GKF57 GKA57 GKAF57	6P	0.39	16639	3578	107	1.10			GK157R97 GKF157R97 GKA157R97 GKAF157R97	4P	8.7	577	102.88					7.2	1.00				9.9	506	90.26	7.8	1.15		12	429	76.56	8.2	1.35		13	388	69.12	8.4	1.50		15	341	60.81	8.6	1.70	GK57 GKF57 GKA57 GKAF57	4P	0.45	14463	3110	108	1.25			GK157R97 GKF157R97 GKA157R97 GKAF157R97	4P	15	322	57.42					8.7	1.80				11	445	123.85	8.1	1.25		13	389	108.29	8.4	1.45		14	369	102.88	8.4	1.50		15	324	90.26	8.6	1.70		18	275	76.56	8.8	2.00		20	248	69.12	8.9	2.20		23	218	60.81	9.0	2.60		24	206	57.42	9.1	2.70		13	375	104.37	5.6	1.00	GK47 GKF47 GKA47 GKAF47	4P	0.83	7757	1668	110	2.30			GK127R77 GKF127R77 GKA127R77 GKAF127R77	4P	15	326	90.86					6.2	1.15				16	306	85.12	6.5	1.50		18	270	75.20	6.8	1.40		20	251	69.84	6.9	1.50		22	227	63.30	7.1	1.65		24	204	56.83	7.3	1.80		28	176	48.95	7.4	2.10		30	165	46.04	7.5	2.20		24	210	58.61	4.6	0.90	GK47 GKF47 GKA47 GKAF47	4P	1.0	6385	1373	110	2.80			GK127R77 GKF127R77 GKA127R77 GKAF127R77	4P	28	179	49.79					4.6	1.05				31	160	44.46	4.5	1.15		37	136	37.97	4.4	1.35		39	128	35.57	4.4	1.45		46	108	29.96	4.2	1.75		48	103	28.83	4.2	1.80		56	90	24.99	4.1	2.10		60	84	23.36	4.0	2.20		69	72	20.19	3.9	2.40		81	62	17.15	3.8	2.70		91	55	15.31	3.7	3.00		1.3	5125	1102	38	0.85	GK107R77 GKF107R77 GKA107R77 GKAF107R77	4P	1.3	5125	1102	38	0.85			GK107R77 GKF107R77 GKA107R77 GKAF107R77	4P	1.5	4451	957					38	0.95				1.6	3976	855	38	1.10		1.9	3455	743	38	1.25		2.1	3027	651	38	1.40		2.4	2665	573	38	1.60		2.8	2344	504	38	1.85		3.2	2032	437	38	2.10		3.6	1776	382	38	2.40		4.6	1418	305	38	3.05		5.4	1200	258	38	3.60		6.0	1079	232	38	4.00		7.0	925	199	38	4.65																																																																								
9.0	554	154.28	19	2.60	GK77 GKF77 GKA77 GKAF77	4P	0.12	54536	11727	158	0.85			GK187R97 GKA187R97	4P																																																																																																																																																																																																																																																																																																																																																																																																																																																																																																																																																																																								
10	486	135.51	19	3.00				11	462	128.73	19					3.10		12					408	113.75	19	3.50				14	349	97.21	19	4.10		7.2	693	123.54	11	1.15	GK67 GKF67 GKA67 GKAF67	6P	0.21	30530	6565	171	1.50	GK167R97 GKA167R97	4P	8.2	606	108.02	11	1.30		8.7	575			102.62	11	1.35		9.9					505	90.04	12	1.55				12	428	76.37	12	1.85		11	443	123.54	12	1.70	GK67 GKF67 GKA67 GKAF67	4P	0.26	24917	5358	171	1.90	GK157R97 GKF157R97 GKA157R97 GKAF157R97	4P	13	388	108.02	12	1.95		15	323			90.04	12	2.40		18					274	76.37	12	2.80				8.2	607	108.29	7.0	0.95	GK57 GKF57 GKA57 GKAF57	6P	0.39	16639	3578	107	1.10	GK157R97 GKF157R97 GKA157R97 GKAF157R97	4P	8.7	577	102.88	7.2	1.00		9.9	506			90.26	7.8	1.15		12					429	76.56	8.2	1.35				13	388	69.12	8.4	1.50		15	341	60.81	8.6	1.70	GK57 GKF57 GKA57 GKAF57	4P	0.45	14463	3110	108	1.25	GK157R97 GKF157R97 GKA157R97 GKAF157R97	4P	15	322	57.42	8.7	1.80		11	445			123.85	8.1	1.25		13					389	108.29	8.4	1.45				14	369	102.88	8.4	1.50		15	324	90.26	8.6	1.70		18	275	76.56	8.8	2.00		20	248	69.12	8.9	2.20		23	218	60.81	9.0	2.60		24	206	57.42	9.1	2.70		13	375	104.37	5.6	1.00	GK47 GKF47 GKA47 GKAF47	4P	0.83	7757	1668	110	2.30	GK127R77 GKF127R77 GKA127R77 GKAF127R77	4P	15	326	90.86	6.2	1.15		16	306			85.12	6.5	1.50		18					270	75.20	6.8	1.40				20	251	69.84	6.9	1.50		22	227	63.30	7.1	1.65		24	204	56.83	7.3	1.80		28	176	48.95	7.4	2.10		30	165	46.04	7.5	2.20		24	210	58.61	4.6	0.90	GK47 GKF47 GKA47 GKAF47	4P	1.0	6385	1373	110	2.80	GK127R77 GKF127R77 GKA127R77 GKAF127R77	4P	28	179	49.79	4.6	1.05		31	160			44.46	4.5	1.15		37					136	37.97	4.4	1.35				39	128	35.57	4.4	1.45		46	108	29.96	4.2	1.75		48	103	28.83	4.2	1.80		56	90	24.99	4.1	2.10		60	84	23.36	4.0	2.20		69	72	20.19	3.9	2.40		81	62	17.15	3.8	2.70		91	55	15.31	3.7	3.00		1.3	5125	1102	38	0.85	GK107R77 GKF107R77 GKA107R77 GKAF107R77	4P	1.3	5125	1102	38	0.85	GK107R77 GKF107R77 GKA107R77 GKAF107R77	4P	1.5	4451	957	38	0.95		1.6	3976			855	38	1.10		1.9					3455	743	38	1.25				2.1	3027	651	38	1.40		2.4	2665	573	38	1.60		2.8	2344	504	38	1.85		3.2	2032	437	38	2.10		3.6	1776	382	38	2.40		4.6	1418	305	38	3.05		5.4	1200	258	38	3.60		6.0	1079	232	38	4.00		7.0	925	199	38	4.65																																																																																									
11	462	128.73	19	3.10				12	408	113.75	19					3.50		14	349	97.21			19	4.10		7.2	693	123.54	11	1.15	GK67 GKF67 GKA67 GKAF67	6P	0.21	30530	6565	171	1.50	GK167R97 GKA167R97	4P	8.2			606	108.02	11	1.30				8.7	575	102.62	11	1.35		9.9	505			90.04	12	1.55		12	428	76.37			12	1.85		11	443	123.54	12	1.70	GK67 GKF67 GKA67 GKAF67	4P	0.26	24917	5358	171	1.90	GK157R97 GKF157R97 GKA157R97 GKAF157R97	4P	13			388	108.02	12	1.95				15	323	90.04	12	2.40		18	274			76.37	12	2.80		8.2	607	108.29			7.0	0.95	GK57 GKF57 GKA57 GKAF57	6P	0.39	16639	3578	107	1.10	GK157R97 GKF157R97 GKA157R97 GKAF157R97	4P	8.7			577	102.88	7.2	1.00				9.9	506	90.26	7.8	1.15		12	429			76.56	8.2	1.35		13	388	69.12			8.4	1.50		15	341	60.81	8.6	1.70	GK57 GKF57 GKA57 GKAF57	4P	0.45	14463	3110	108	1.25	GK157R97 GKF157R97 GKA157R97 GKAF157R97	4P	15			322	57.42	8.7	1.80				11	445	123.85	8.1	1.25		13	389			108.29	8.4	1.45		14	369	102.88			8.4	1.50		15	324	90.26	8.6	1.70		18	275	76.56	8.8	2.00		20	248	69.12	8.9	2.20		23	218	60.81	9.0	2.60		24	206	57.42	9.1	2.70		13	375	104.37	5.6	1.00	GK47 GKF47 GKA47 GKAF47	4P	0.83	7757	1668	110	2.30	GK127R77 GKF127R77 GKA127R77 GKAF127R77	4P	15			326	90.86	6.2	1.15				16	306	85.12	6.5	1.50		18	270			75.20	6.8	1.40		20	251	69.84			6.9	1.50		22	227	63.30	7.1	1.65		24	204	56.83	7.3	1.80		28	176	48.95	7.4	2.10		30	165	46.04	7.5	2.20		24	210	58.61	4.6	0.90	GK47 GKF47 GKA47 GKAF47	4P	1.0	6385	1373	110	2.80	GK127R77 GKF127R77 GKA127R77 GKAF127R77	4P	28			179	49.79	4.6	1.05				31	160	44.46	4.5	1.15		37	136			37.97	4.4	1.35		39	128	35.57			4.4	1.45		46	108	29.96	4.2	1.75		48	103	28.83	4.2	1.80		56	90	24.99	4.1	2.10		60	84	23.36	4.0	2.20		69	72	20.19	3.9	2.40		81	62	17.15	3.8	2.70		91	55	15.31	3.7	3.00		1.3	5125	1102	38	0.85	GK107R77 GKF107R77 GKA107R77 GKAF107R77	4P	1.3	5125	1102	38	0.85	GK107R77 GKF107R77 GKA107R77 GKAF107R77	4P	1.5			4451	957	38	0.95				1.6	3976	855	38	1.10		1.9	3455			743	38	1.25		2.1	3027	651			38	1.40		2.4	2665	573	38	1.60		2.8	2344	504	38	1.85		3.2	2032	437	38	2.10		3.6	1776	382	38	2.40		4.6	1418	305	38	3.05		5.4	1200	258	38	3.60		6.0	1079	232	38	4.00		7.0	925	199	38	4.65																																																																																																			
12	408	113.75	19	3.50				14	349	97.21	19	4.10				7.2	693	123.54	11	1.15	GK67 GKF67 GKA67 GKAF67	6P	0.21	30530	6565	171	1.50	GK167R97 GKA167R97	4P	8.2			606	108.02	11	1.30				8.7			575	102.62	11	1.35				9.9	505	90.04	12	1.55		12	428	76.37	12	1.85		11	443	123.54	12	1.70	GK67 GKF67 GKA67 GKAF67	4P	0.26	24917	5358	171	1.90	GK157R97 GKF157R97 GKA157R97 GKAF157R97	4P	13			388	108.02	12	1.95				15			323	90.04	12	2.40				18	274	76.37	12	2.80		8.2	607	108.29	7.0	0.95	GK57 GKF57 GKA57 GKAF57	6P	0.39	16639	3578	107	1.10	GK157R97 GKF157R97 GKA157R97 GKAF157R97	4P	8.7			577	102.88	7.2	1.00				9.9			506	90.26	7.8	1.15				12	429	76.56	8.2	1.35		13	388	69.12	8.4	1.50		15	341	60.81	8.6	1.70	GK57 GKF57 GKA57 GKAF57	4P	0.45	14463	3110	108	1.25	GK157R97 GKF157R97 GKA157R97 GKAF157R97	4P	15			322	57.42	8.7	1.80				11			445	123.85	8.1	1.25				13	389	108.29	8.4	1.45		14	369	102.88	8.4	1.50		15	324	90.26	8.6	1.70		18	275	76.56	8.8	2.00		20	248	69.12	8.9	2.20		23	218	60.81	9.0	2.60		24	206	57.42	9.1	2.70		13	375	104.37	5.6	1.00	GK47 GKF47 GKA47 GKAF47	4P	0.83	7757	1668	110	2.30	GK127R77 GKF127R77 GKA127R77 GKAF127R77	4P	15			326	90.86	6.2	1.15				16			306	85.12	6.5	1.50				18	270	75.20	6.8	1.40		20	251	69.84	6.9	1.50		22	227	63.30	7.1	1.65		24	204	56.83	7.3	1.80		28	176	48.95	7.4	2.10		30	165	46.04	7.5	2.20		24	210	58.61	4.6	0.90	GK47 GKF47 GKA47 GKAF47	4P	1.0	6385	1373	110	2.80	GK127R77 GKF127R77 GKA127R77 GKAF127R77	4P	28			179	49.79	4.6	1.05				31			160	44.46	4.5	1.15				37	136	37.97	4.4	1.35		39	128	35.57	4.4	1.45		46	108	29.96	4.2	1.75		48	103	28.83	4.2	1.80		56	90	24.99	4.1	2.10		60	84	23.36	4.0	2.20		69	72	20.19	3.9	2.40		81	62	17.15	3.8	2.70		91	55	15.31	3.7	3.00		1.3	5125	1102	38	0.85	GK107R77 GKF107R77 GKA107R77 GKAF107R77	4P	1.3	5125	1102	38	0.85	GK107R77 GKF107R77 GKA107R77 GKAF107R77	4P	1.5			4451	957	38	0.95				1.6			3976	855	38	1.10				1.9	3455	743	38	1.25		2.1	3027	651	38	1.40		2.4	2665	573	38	1.60		2.8	2344	504	38	1.85		3.2	2032	437	38	2.10		3.6	1776	382	38	2.40		4.6	1418	305	38	3.05		5.4	1200	258	38	3.60		6.0	1079	232	38	4.00		7.0	925	199	38	4.65																																																																																																													
14	349	97.21	19	4.10		7.2	693	123.54	11	1.15	GK67 GKF67 GKA67 GKAF67	6P	0.21	30530	6565	171	1.50	GK167R97 GKA167R97	4P	8.2			606	108.02	11	1.30				8.7			575	102.62	11	1.35				9.9			505	90.04	12	1.55				12	428	76.37	12	1.85		11	443	123.54	12	1.70	GK67 GKF67 GKA67 GKAF67	4P	0.26	24917	5358	171			1.90	GK157R97 GKF157R97 GKA157R97 GKAF157R97	4P	13	388			108.02			12	1.95		15	323			90.04			12	2.40		18	274			76.37	12	2.80		8.2	607	108.29	7.0	0.95	GK57 GKF57 GKA57 GKAF57	6P			0.39	16639	3578	107	1.10			GK157R97 GKF157R97 GKA157R97 GKAF157R97			4P	8.7	577	102.88	7.2			1.00				9.9	506	90.26	7.8			1.15		12	429	76.56	8.2	1.35		13	388	69.12	8.4	1.50		15	341	60.81			8.6	1.70	GK57 GKF57 GKA57 GKAF57	4P	0.45			14463			3110	108	1.25	GK157R97 GKF157R97 GKA157R97 GKAF157R97	4P			15			322	57.42	8.7	1.80				11	445	123.85	8.1	1.25		13	389	108.29	8.4	1.45		14	369	102.88	8.4	1.50		15	324	90.26	8.6	1.70		18	275	76.56	8.8	2.00		20	248	69.12	8.9	2.20		23	218	60.81	9.0	2.60		24	206	57.42	9.1	2.70				13	375	104.37	5.6			1.00			GK47 GKF47 GKA47 GKAF47	4P	0.83	7757	1668			110			2.30	GK127R77 GKF127R77 GKA127R77 GKAF127R77	4P	15	326			90.86	6.2	1.15		16	306	85.12	6.5	1.50		18	270	75.20	6.8	1.40		20	251	69.84	6.9	1.50		22	227	63.30	7.1	1.65		24	204	56.83	7.3	1.80		28	176	48.95	7.4	2.10		30			165	46.04	7.5	2.20				24			210	58.61	4.6	0.90	GK47 GKF47 GKA47 GKAF47			4P			1.0	6385	1373	110	2.80			GK127R77 GKF127R77 GKA127R77 GKAF127R77	4P	28	179	49.79	4.6	1.05		31	160	44.46	4.5	1.15		37	136	37.97	4.4	1.35		39	128	35.57	4.4	1.45		46	108	29.96	4.2	1.75		48	103	28.83	4.2	1.80		56	90	24.99	4.1	2.10		60	84	23.36	4.0	2.20		69	72	20.19	3.9	2.40		81	62	17.15			3.8	2.70		91	55			15.31			3.7	3.00		1.3	5125			1102			38	0.85	GK107R77 GKF107R77 GKA107R77 GKAF107R77	4P	1.3			5125	1102	38	0.85	GK107R77 GKF107R77 GKA107R77 GKAF107R77	4P	1.5	4451	957	38	0.95		1.6	3976	855	38	1.10		1.9	3455	743	38	1.25		2.1	3027	651	38	1.40		2.4	2665	573	38	1.60		2.8	2344	504	38	1.85		3.2	2032	437	38	2.10		3.6	1776	382	38	2.40		4.6	1418	305	38	3.05		5.4	1200	258	38	3.60		6.0	1079	232	38	4.00		7.0	925	199	38	4.65																																																																																											
7.2	693	123.54	11	1.15	GK67 GKF67 GKA67 GKAF67	6P	0.21	30530	6565	171			1.50	GK167R97 GKA167R97	4P																																																																																																																																																																																																																																																																																																																																																																																																																																																																																																																																																																																								
8.2	606	108.02	11	1.30				8.7	575	102.62			11			1.35				9.9			505	90.04	12	1.55				12	428	76.37	12	1.85		11	443	123.54	12	1.70	GK67 GKF67 GKA67 GKAF67	4P	0.26	24917	5358	171	1.90	GK157R97 GKF157R97 GKA157R97 GKAF157R97	4P	13	388	108.02	12	1.95		15	323	90.04	12	2.40				18	274	76.37			12			2.80				8.2	607	108.29	7.0	0.95	GK57 GKF57 GKA57 GKAF57	6P	0.39	16639	3578	107	1.10	GK157R97 GKF157R97 GKA157R97 GKAF157R97	4P	8.7	577	102.88	7.2	1.00		9.9	506	90.26	7.8	1.15		12	429	76.56					8.2	1.35		13	388				69.12	8.4		1.50		15	341	60.81	8.6	1.70	GK57 GKF57 GKA57 GKAF57	4P	0.45	14463	3110	108	1.25	GK157R97 GKF157R97 GKA157R97 GKAF157R97	4P	15	322	57.42	8.7	1.80		11	445	123.85	8.1	1.25		13	389	108.29	8.4	1.45				14			369			102.88	8.4	1.50		15	324			90.26	8.6	1.70		18	275	76.56	8.8	2.00		20	248	69.12	8.9	2.20		23	218	60.81	9.0	2.60		24	206	57.42	9.1	2.70		13	375	104.37	5.6	1.00	GK47 GKF47 GKA47 GKAF47	4P	0.83	7757	1668	110	2.30	GK127R77 GKF127R77 GKA127R77 GKAF127R77	4P	15	326	90.86	6.2	1.15		16	306	85.12	6.5	1.50		18	270	75.20	6.8	1.40				20	251	69.84	6.9			1.50		22			227	63.30	7.1	1.65		24	204	56.83	7.3			1.80		28	176	48.95	7.4	2.10		30	165	46.04	7.5	2.20		24	210	58.61	4.6	0.90	GK47 GKF47 GKA47 GKAF47	4P	1.0	6385	1373	110	2.80	GK127R77 GKF127R77 GKA127R77 GKAF127R77	4P	28	179	49.79	4.6	1.05		31	160	44.46	4.5	1.15		37	136	37.97	4.4	1.35				39	128	35.57	4.4			1.45		46	108	29.96	4.2	1.75			48		103	28.83	4.2	1.80		56	90	24.99	4.1			2.10		60	84	23.36	4.0	2.20		69	72	20.19	3.9	2.40		81	62	17.15	3.8	2.70		91	55	15.31	3.7	3.00		1.3	5125	1102	38	0.85	GK107R77 GKF107R77 GKA107R77 GKAF107R77	4P	1.3	5125	1102	38	0.85	GK107R77 GKF107R77 GKA107R77 GKAF107R77	4P	1.5	4451	957	38	0.95		1.6	3976	855	38	1.10		1.9	3455	743	38	1.25				2.1	3027	651	38			1.40		2.4	2665	573	38	1.60		2.8	2344	504	38	1.85		3.2			2032	437	38	2.10		3.6	1776			382	38	2.40		4.6	1418	305	38	3.05		5.4	1200	258	38	3.60		6.0	1079	232	38	4.00		7.0	925	199	38	4.65																																																																																																																																							
8.7	575	102.62	11	1.35				9.9	505	90.04			12			1.55				12	428	76.37	12	1.85		11	443	123.54	12	1.70	GK67 GKF67 GKA67 GKAF67	4P	0.26	24917	5358	171	1.90	GK157R97 GKF157R97 GKA157R97 GKAF157R97	4P	13			388	108.02	12	1.95				15	323	90.04	12	2.40		18	274	76.37	12	2.80				8.2	607	108.29	7.0	0.95	GK57 GKF57 GKA57 GKAF57			6P	0.39	16639	3578	107	1.10	GK157R97 GKF157R97 GKA157R97 GKAF157R97	4P	8.7			577	102.88	7.2	1.00				9.9	506	90.26	7.8	1.15		12	429	76.56	8.2	1.35		13	388	69.12			8.4	1.50		15	341	60.81	8.6	1.70	GK57 GKF57 GKA57 GKAF57		4P	0.45		14463	3110	108	1.25	GK157R97 GKF157R97 GKA157R97 GKAF157R97	4P	15			322	57.42	8.7	1.80				11	445	123.85	8.1	1.25		13	389	108.29	8.4	1.45		14	369	102.88	8.4	1.50		15	324	90.26			8.6	1.70		18	275	76.56	8.8	2.00				20	248	69.12	8.9	2.20		23	218	60.81	9.0	2.60		24	206	57.42	9.1	2.70		13	375	104.37	5.6	1.00	GK47 GKF47 GKA47 GKAF47	4P	0.83	7757	1668	110	2.30	GK127R77 GKF127R77 GKA127R77 GKAF127R77	4P	15			326	90.86	6.2	1.15				16	306	85.12	6.5	1.50		18	270	75.20	6.8	1.40		20	251	69.84	6.9	1.50		22	227	63.30	7.1	1.65		24	204	56.83	7.3	1.80				28	176	48.95	7.4	2.10		30	165			46.04	7.5	2.20		24	210	58.61	4.6	0.90	GK47 GKF47 GKA47 GKAF47	4P	1.0	6385	1373	110	2.80	GK127R77 GKF127R77 GKA127R77 GKAF127R77	4P	28			179	49.79	4.6	1.05				31	160	44.46	4.5	1.15		37	136	37.97	4.4	1.35		39	128	35.57	4.4	1.45		46	108	29.96	4.2	1.75		48	103	28.83	4.2	1.80		56	90	24.99		4.1	2.10			60	84	23.36	4.0	2.20		69	72			20.19	3.9	2.40		81	62	17.15	3.8	2.70		91	55	15.31	3.7	3.00		1.3	5125	1102	38	0.85	GK107R77 GKF107R77 GKA107R77 GKAF107R77	4P	1.3	5125	1102	38	0.85	GK107R77 GKF107R77 GKA107R77 GKAF107R77	4P	1.5			4451	957	38	0.95				1.6	3976	855	38	1.10		1.9	3455	743	38	1.25		2.1	3027	651	38	1.40		2.4	2665	573	38	1.60		2.8	2344	504	38	1.85		3.2	2032	437	38	2.10		3.6	1776	382	38	2.40				4.6	1418	305	38	3.05				5.4	1200	258	38	3.60		6.0	1079	232	38	4.00		7.0	925	199	38	4.65																																																																																																																																																	
9.9	505	90.04	12	1.55				12	428	76.37	12	1.85				11	443	123.54	12	1.70	GK67 GKF67 GKA67 GKAF67	4P	0.26	24917	5358	171	1.90	GK157R97 GKF157R97 GKA157R97 GKAF157R97	4P	13			388	108.02	12	1.95				15			323	90.04	12	2.40				18	274	76.37	12	2.80		8.2	607	108.29	7.0	0.95	GK57 GKF57 GKA57 GKAF57	6P	0.39	16639	3578	107	1.10	GK157R97 GKF157R97 GKA157R97 GKAF157R97		4P	8.7		577	102.88	7.2	1.00				9.9			506	90.26	7.8	1.15				12	429	76.56	8.2	1.35		13	388	69.12	8.4	1.50		15	341	60.81	8.6	1.70	GK57 GKF57 GKA57 GKAF57	4P	0.45	14463	3110	108	1.25	GK157R97 GKF157R97 GKA157R97 GKAF157R97		4P		15	322	57.42	8.7	1.80				11			445	123.85	8.1	1.25				13	389	108.29	8.4	1.45		14	369	102.88	8.4	1.50		15	324	90.26	8.6	1.70		18	275	76.56	8.8	2.00		20	248	69.12	8.9	2.20		23	218	60.81	9.0	2.60		24	206	57.42	9.1	2.70		13	375	104.37	5.6	1.00	GK47 GKF47 GKA47 GKAF47	4P	0.83	7757	1668	110	2.30	GK127R77 GKF127R77 GKA127R77 GKAF127R77	4P	15			326	90.86	6.2	1.15				16			306	85.12	6.5	1.50				18	270	75.20	6.8	1.40		20	251	69.84	6.9	1.50		22	227	63.30	7.1	1.65		24	204	56.83	7.3	1.80		28	176	48.95	7.4	2.10		30	165	46.04	7.5	2.20		24	210	58.61	4.6	0.90	GK47 GKF47 GKA47 GKAF47	4P	1.0	6385	1373	110	2.80	GK127R77 GKF127R77 GKA127R77 GKAF127R77	4P	28			179	49.79	4.6	1.05				31			160	44.46	4.5	1.15				37	136	37.97	4.4	1.35		39	128	35.57	4.4	1.45		46	108	29.96	4.2	1.75		48	103	28.83	4.2	1.80		56	90	24.99	4.1	2.10		60	84	23.36	4.0	2.20		69	72	20.19	3.9	2.40		81	62	17.15	3.8	2.70		91	55	15.31	3.7	3.00		1.3	5125	1102	38	0.85	GK107R77 GKF107R77 GKA107R77 GKAF107R77	4P	1.3	5125	1102	38	0.85	GK107R77 GKF107R77 GKA107R77 GKAF107R77	4P	1.5			4451	957	38	0.95				1.6			3976	855	38	1.10				1.9	3455	743	38	1.25		2.1	3027	651	38	1.40		2.4	2665	573	38	1.60		2.8	2344	504	38	1.85		3.2	2032	437	38	2.10		3.6	1776	382	38	2.40		4.6	1418	305	38	3.05		5.4	1200	258	38	3.60		6.0	1079	232	38	4.00		7.0	925	199	38	4.65																																																																																																																																																											
12	428	76.37	12	1.85		11	443	123.54	12	1.70	GK67 GKF67 GKA67 GKAF67	4P	0.26	24917	5358	171	1.90	GK157R97 GKF157R97 GKA157R97 GKAF157R97	4P	13			388	108.02	12	1.95				15			323	90.04	12	2.40				18			274	76.37	12	2.80				8.2	607	108.29	7.0	0.95	GK57 GKF57 GKA57 GKAF57	6P	0.39	16639	3578	107			1.10	GK157R97 GKF157R97 GKA157R97 GKAF157R97	4P	8.7	577				102.88		7.2	1.00		9.9	506			90.26			7.8	1.15		12	429			76.56	8.2	1.35		13	388	69.12	8.4	1.50		15	341	60.81	8.6	1.70	GK57 GKF57 GKA57 GKAF57	4P			0.45	14463	3110	108	1.25					GK157R97 GKF157R97 GKA157R97 GKAF157R97	4P	15	322	57.42	8.7			1.80				11	445	123.85	8.1			1.25		13	389	108.29	8.4	1.45		14	369	102.88	8.4	1.50		15	324	90.26	8.6	1.70		18	275	76.56	8.8	2.00		20	248	69.12	8.9	2.20		23	218	60.81	9.0	2.60		24	206	57.42	9.1	2.70		13	375	104.37			5.6	1.00	GK47 GKF47 GKA47 GKAF47	4P	0.83			7757			1668	110	2.30	GK127R77 GKF127R77 GKA127R77 GKAF127R77	4P			15			326	90.86	6.2	1.15				16	306	85.12	6.5	1.50		18	270	75.20	6.8	1.40		20	251	69.84	6.9	1.50		22	227	63.30	7.1	1.65		24	204	56.83	7.3	1.80		28	176	48.95	7.4	2.10		30	165	46.04	7.5	2.20				24	210	58.61	4.6			0.90			GK47 GKF47 GKA47 GKAF47	4P	1.0	6385	1373			110			2.80	GK127R77 GKF127R77 GKA127R77 GKAF127R77	4P	28	179			49.79	4.6	1.05		31	160	44.46	4.5	1.15		37	136	37.97	4.4	1.35		39	128	35.57	4.4	1.45		46	108	29.96	4.2	1.75		48	103	28.83	4.2	1.80		56	90	24.99	4.1	2.10		60	84	23.36	4.0	2.20		69	72	20.19	3.9	2.40		81	62	17.15	3.8	2.70		91			55	15.31	3.7	3.00				1.3			5125	1102	38	0.85	GK107R77 GKF107R77 GKA107R77 GKAF107R77			4P			1.3	5125	1102	38	0.85			GK107R77 GKF107R77 GKA107R77 GKAF107R77	4P	1.5	4451	957	38	0.95		1.6	3976	855	38	1.10		1.9	3455	743	38	1.25		2.1	3027	651	38	1.40		2.4	2665	573	38	1.60		2.8	2344	504	38	1.85		3.2	2032	437	38	2.10		3.6	1776	382	38	2.40		4.6	1418	305	38	3.05		5.4	1200	258	38	3.60		6.0	1079	232	38	4.00		7.0	925	199	38	4.65																																																																																																																																													
11	443	123.54	12	1.70	GK67 GKF67 GKA67 GKAF67	4P	0.26	24917	5358	171			1.90	GK157R97 GKF157R97 GKA157R97 GKAF157R97	4P																																																																																																																																																																																																																																																																																																																																																																																																																																																																																																																																																																																								
13	388	108.02	12	1.95				15	323	90.04			12			2.40				18			274	76.37	12	2.80				8.2	607	108.29	7.0	0.95	GK57 GKF57 GKA57 GKAF57	6P	0.39	16639	3578	107	1.10	GK157R97 GKF157R97 GKA157R97 GKAF157R97	4P	8.7	577	102.88	7.2	1.00		9.9	506	90.26	7.8	1.15				12	429	76.56			8.2			1.35			13		388	69.12	8.4	1.50		15	341	60.81	8.6	1.70	GK57 GKF57 GKA57 GKAF57	4P	0.45	14463	3110	108	1.25	GK157R97 GKF157R97 GKA157R97 GKAF157R97	4P	15	322	57.42	8.7	1.80		11	445	123.85	8.1	1.25		13	389	108.29					8.4	1.45		14	369		102.88		8.4			1.50		15	324	90.26	8.6	1.70		18	275	76.56	8.8	2.00		20	248	69.12	8.9	2.20		23	218	60.81	9.0	2.60		24	206	57.42	9.1	2.70		13	375	104.37	5.6	1.00	GK47 GKF47 GKA47 GKAF47	4P	0.83	7757	1668	110	2.30	GK127R77 GKF127R77 GKA127R77 GKAF127R77	4P	15	326	90.86	6.2	1.15		16	306	85.12	6.5	1.50		18	270	75.20	6.8	1.40				20			251			69.84	6.9	1.50		22	227			63.30	7.1	1.65		24	204	56.83	7.3	1.80		28	176	48.95	7.4	2.10		30	165	46.04	7.5	2.20		24	210	58.61	4.6	0.90	GK47 GKF47 GKA47 GKAF47	4P	1.0	6385	1373	110	2.80	GK127R77 GKF127R77 GKA127R77 GKAF127R77	4P	28	179	49.79	4.6	1.05		31	160	44.46	4.5	1.15		37	136	37.97	4.4	1.35				39	128	35.57	4.4			1.45		46			108	29.96	4.2	1.75		48	103	28.83	4.2			1.80		56	90	24.99	4.1	2.10		60	84	23.36	4.0	2.20		69	72	20.19	3.9	2.40		81	62	17.15	3.8	2.70		91	55	15.31	3.7	3.00		1.3	5125	1102	38	0.85	GK107R77 GKF107R77 GKA107R77 GKAF107R77	4P	1.3	5125	1102	38	0.85	GK107R77 GKF107R77 GKA107R77 GKAF107R77	4P	1.5	4451	957	38	0.95		1.6	3976	855	38	1.10		1.9	3455	743	38	1.25				2.1	3027	651	38			1.40		2.4	2665	573	38	1.60			2.8		2344	504	38	1.85		3.2	2032	437	38			2.10		3.6	1776	382	38	2.40		4.6	1418	305	38	3.05		5.4	1200	258	38	3.60		6.0	1079	232	38	4.00		7.0	925	199	38	4.65																																																																																																																																																																																					
15	323	90.04	12	2.40				18	274	76.37			12			2.80				8.2	607	108.29	7.0	0.95	GK57 GKF57 GKA57 GKAF57	6P	0.39	16639	3578	107	1.10	GK157R97 GKF157R97 GKA157R97 GKAF157R97	4P	8.7			577	102.88	7.2	1.00				9.9	506	90.26	7.8	1.15		12	429	76.56	8.2	1.35				13	388	69.12	8.4	1.50				15	341	60.81	8.6	1.70	GK57 GKF57 GKA57 GKAF57	4P	0.45	14463	3110	108	1.25	GK157R97 GKF157R97 GKA157R97 GKAF157R97	4P	15			322	57.42	8.7	1.80				11	445	123.85	8.1	1.25		13	389	108.29	8.4	1.45		14	369	102.88			8.4	1.50		15	324	90.26	8.6	1.70		18	275			76.56	8.8	2.00		20	248	69.12	8.9	2.20		23	218	60.81	9.0	2.60		24	206	57.42	9.1	2.70		13	375	104.37	5.6	1.00	GK47 GKF47 GKA47 GKAF47	4P	0.83	7757	1668	110	2.30	GK127R77 GKF127R77 GKA127R77 GKAF127R77	4P	15			326	90.86	6.2	1.15				16	306	85.12	6.5	1.50		18	270	75.20	6.8	1.40		20	251	69.84	6.9	1.50		22	227	63.30			7.1	1.65		24	204	56.83	7.3	1.80				28	176	48.95	7.4	2.10		30	165	46.04	7.5	2.20		24	210	58.61	4.6	0.90	GK47 GKF47 GKA47 GKAF47	4P	1.0	6385	1373	110	2.80	GK127R77 GKF127R77 GKA127R77 GKAF127R77	4P	28			179	49.79	4.6	1.05				31	160	44.46	4.5	1.15		37	136	37.97	4.4	1.35		39	128	35.57	4.4	1.45		46	108	29.96	4.2	1.75		48	103	28.83	4.2	1.80				56	90	24.99	4.1	2.10		60	84			23.36	4.0	2.20		69	72	20.19	3.9	2.40		81	62	17.15	3.8	2.70		91	55	15.31	3.7	3.00		1.3	5125	1102	38	0.85	GK107R77 GKF107R77 GKA107R77 GKAF107R77	4P	1.3	5125	1102	38	0.85	GK107R77 GKF107R77 GKA107R77 GKAF107R77	4P	1.5			4451	957	38	0.95				1.6	3976	855	38	1.10		1.9	3455	743	38	1.25		2.1	3027	651	38	1.40		2.4	2665	573	38	1.60		2.8	2344	504	38	1.85		3.2	2032	437		38	2.10			3.6	1776	382	38	2.40		4.6	1418			305	38	3.05		5.4	1200	258	38	3.60		6.0	1079	232	38	4.00		7.0	925	199	38	4.65																																																																																																																																																																																															
18	274	76.37	12	2.80				8.2	607	108.29	7.0	0.95	GK57 GKF57 GKA57 GKAF57			6P	0.39	16639	3578	107	1.10	GK157R97 GKF157R97 GKA157R97 GKAF157R97	4P	8.7			577	102.88	7.2	1.00				9.9			506	90.26	7.8	1.15				12	429	76.56	8.2	1.35		13	388	69.12	8.4	1.50		15	341	60.81	8.6	1.70	GK57 GKF57 GKA57 GKAF57	4P	0.45	14463	3110	108	1.25	GK157R97 GKF157R97 GKA157R97 GKAF157R97	4P	15			322	57.42	8.7	1.80				11			445	123.85	8.1	1.25				13	389	108.29	8.4	1.45		14	369	102.88	8.4	1.50		15	324	90.26	8.6	1.70		18	275	76.56	8.8	2.00		20	248	69.12	8.9	2.20		23	218	60.81	9.0	2.60		24	206	57.42	9.1	2.70		13	375	104.37	5.6	1.00	GK47 GKF47 GKA47 GKAF47	4P	0.83	7757	1668	110	2.30	GK127R77 GKF127R77 GKA127R77 GKAF127R77	4P	15			326	90.86	6.2	1.15				16			306	85.12	6.5	1.50				18	270	75.20	6.8	1.40		20	251	69.84	6.9	1.50		22	227	63.30	7.1	1.65		24	204	56.83	7.3	1.80		28	176	48.95	7.4	2.10		30	165	46.04	7.5	2.20		24	210	58.61	4.6	0.90	GK47 GKF47 GKA47 GKAF47	4P	1.0	6385	1373	110	2.80	GK127R77 GKF127R77 GKA127R77 GKAF127R77	4P	28			179	49.79	4.6	1.05				31			160	44.46	4.5	1.15				37	136	37.97	4.4	1.35		39	128	35.57	4.4	1.45		46	108	29.96	4.2	1.75		48	103	28.83	4.2	1.80		56	90	24.99	4.1	2.10		60	84	23.36	4.0	2.20		69	72	20.19	3.9	2.40		81	62	17.15	3.8	2.70		91	55	15.31	3.7	3.00		1.3	5125	1102	38	0.85	GK107R77 GKF107R77 GKA107R77 GKAF107R77	4P	1.3	5125	1102	38	0.85	GK107R77 GKF107R77 GKA107R77 GKAF107R77	4P	1.5			4451	957	38	0.95				1.6			3976	855	38	1.10				1.9	3455	743	38	1.25		2.1	3027	651	38	1.40		2.4	2665	573	38	1.60		2.8	2344	504	38	1.85		3.2	2032	437	38	2.10		3.6	1776	382	38	2.40		4.6	1418	305	38	3.05		5.4	1200	258	38	3.60		6.0	1079	232	38	4.00		7.0	925	199	38	4.65																																																																																																																																																																																																									
8.2	607	108.29	7.0	0.95	GK57 GKF57 GKA57 GKAF57	6P	0.39	16639	3578	107	1.10	GK157R97 GKF157R97 GKA157R97 GKAF157R97		4P																																																																																																																																																																																																																																																																																																																																																																																																																																																																																																																																																																																									
8.7	577	102.88	7.2	1.00				9.9	506	90.26	7.8				1.15			12	429	76.56	8.2			1.35				13	388	69.12	8.4			1.50		15	341	60.81	8.6	1.70	GK57 GKF57 GKA57 GKAF57	4P	0.45	14463	3110	108	1.25	GK157R97 GKF157R97 GKA157R97 GKAF157R97	4P	15	322	57.42	8.7	1.80		11	445	123.85	8.1	1.25				13	389	108.29	8.4			1.45				14	369	102.88	8.4			1.50		15	324	90.26	8.6	1.70		18	275	76.56	8.8	2.00		20	248	69.12	8.9	2.20		23	218	60.81	9.0	2.60		24	206	57.42	9.1	2.70		13	375	104.37	5.6	1.00	GK47 GKF47 GKA47 GKAF47	4P	0.83	7757	1668	110	2.30	GK127R77 GKF127R77 GKA127R77 GKAF127R77	4P	15	326	90.86	6.2	1.15		16	306	85.12	6.5	1.50				18	270	75.20	6.8			1.40				20	251	69.84	6.9			1.50		22	227	63.30	7.1	1.65		24	204	56.83	7.3	1.80		28	176	48.95	7.4	2.10		30	165	46.04	7.5	2.20		24	210	58.61	4.6	0.90	GK47 GKF47 GKA47 GKAF47	4P	1.0	6385	1373	110	2.80	GK127R77 GKF127R77 GKA127R77 GKAF127R77	4P	28	179	49.79	4.6	1.05		31	160	44.46	4.5	1.15				37	136	37.97	4.4			1.35				39	128	35.57	4.4			1.45		46	108	29.96	4.2	1.75		48	103	28.83	4.2	1.80		56	90	24.99	4.1	2.10		60	84	23.36	4.0	2.20		69	72	20.19	3.9	2.40		81	62	17.15	3.8	2.70		91	55	15.31	3.7	3.00		1.3	5125	1102	38	0.85	GK107R77 GKF107R77 GKA107R77 GKAF107R77	4P	1.3	5125	1102	38	0.85	GK107R77 GKF107R77 GKA107R77 GKAF107R77	4P	1.5	4451	957	38	0.95		1.6	3976	855	38	1.10				1.9	3455	743	38			1.25				2.1	3027	651	38			1.40		2.4	2665	573	38	1.60		2.8	2344	504	38	1.85		3.2	2032	437	38	2.10		3.6	1776	382	38	2.40		4.6	1418	305	38	3.05		5.4	1200	258	38	3.60		6.0	1079	232	38	4.00		7.0	925	199	38	4.65																																																																																																																																																																																																																													
9.9	506	90.26	7.8	1.15				12	429	76.56	8.2				1.35			13	388	69.12	8.4			1.50		15	341	60.81	8.6	1.70	GK57 GKF57 GKA57 GKAF57	4P	0.45	14463	3110	108	1.25	GK157R97 GKF157R97 GKA157R97 GKAF157R97	4P	15			322	57.42	8.7	1.80				11	445	123.85	8.1	1.25		13	389	108.29	8.4	1.45				14	369	102.88	8.4			1.50		15	324	90.26	8.6	1.70		18	275	76.56	8.8	2.00		20	248	69.12	8.9	2.20		23	218	60.81	9.0	2.60		24	206	57.42	9.1	2.70		13	375	104.37	5.6	1.00	GK47 GKF47 GKA47 GKAF47	4P	0.83	7757	1668	110	2.30	GK127R77 GKF127R77 GKA127R77 GKAF127R77	4P	15			326	90.86	6.2	1.15				16	306	85.12	6.5	1.50		18	270	75.20	6.8	1.40				20	251	69.84	6.9			1.50		22	227	63.30	7.1	1.65		24	204	56.83	7.3	1.80		28	176	48.95	7.4	2.10		30	165	46.04	7.5	2.20		24	210	58.61	4.6	0.90	GK47 GKF47 GKA47 GKAF47	4P	1.0	6385	1373	110	2.80	GK127R77 GKF127R77 GKA127R77 GKAF127R77	4P	28			179	49.79	4.6	1.05				31	160	44.46	4.5	1.15		37	136	37.97	4.4	1.35				39	128	35.57	4.4			1.45		46	108	29.96	4.2	1.75		48	103	28.83	4.2	1.80		56	90	24.99	4.1	2.10		60	84	23.36	4.0	2.20		69	72	20.19	3.9	2.40		81	62	17.15	3.8	2.70		91	55	15.31	3.7	3.00		1.3	5125	1102	38	0.85	GK107R77 GKF107R77 GKA107R77 GKAF107R77	4P	1.3	5125	1102	38	0.85	GK107R77 GKF107R77 GKA107R77 GKAF107R77	4P	1.5			4451	957	38	0.95				1.6	3976	855	38	1.10		1.9	3455	743	38	1.25				2.1	3027	651	38			1.40		2.4	2665	573	38	1.60		2.8	2344	504	38	1.85		3.2	2032	437	38	2.10		3.6	1776	382	38	2.40		4.6	1418	305	38	3.05		5.4	1200	258	38	3.60		6.0	1079	232	38	4.00		7.0	925	199	38	4.65																																																																																																																																																																																																																																							
12	429	76.56	8.2	1.35				13	388	69.12	8.4		1.50			15	341	60.81	8.6	1.70	GK57 GKF57 GKA57 GKAF57	4P	0.45	14463	3110	108	1.25	GK157R97 GKF157R97 GKA157R97 GKAF157R97	4P	15			322	57.42	8.7	1.80				11			445	123.85	8.1	1.25				13	389	108.29	8.4	1.45		14	369	102.88	8.4	1.50		15	324	90.26	8.6	1.70		18	275	76.56	8.8	2.00		20	248	69.12	8.9	2.20		23	218	60.81	9.0	2.60		24	206	57.42	9.1	2.70		13	375	104.37	5.6	1.00	GK47 GKF47 GKA47 GKAF47	4P	0.83	7757	1668	110	2.30	GK127R77 GKF127R77 GKA127R77 GKAF127R77	4P	15			326	90.86	6.2	1.15				16			306	85.12	6.5	1.50				18	270	75.20	6.8	1.40		20	251	69.84	6.9	1.50		22	227	63.30	7.1	1.65		24	204	56.83	7.3	1.80		28	176	48.95	7.4	2.10		30	165	46.04	7.5	2.20		24	210	58.61	4.6	0.90	GK47 GKF47 GKA47 GKAF47	4P	1.0	6385	1373	110	2.80	GK127R77 GKF127R77 GKA127R77 GKAF127R77	4P	28			179	49.79	4.6	1.05				31			160	44.46	4.5	1.15				37	136	37.97	4.4	1.35		39	128	35.57	4.4	1.45		46	108	29.96	4.2	1.75		48	103	28.83	4.2	1.80		56	90	24.99	4.1	2.10		60	84	23.36	4.0	2.20		69	72	20.19	3.9	2.40		81	62	17.15	3.8	2.70		91	55	15.31	3.7	3.00		1.3	5125	1102	38	0.85	GK107R77 GKF107R77 GKA107R77 GKAF107R77	4P	1.3	5125	1102	38	0.85	GK107R77 GKF107R77 GKA107R77 GKAF107R77	4P	1.5			4451	957	38	0.95				1.6			3976	855	38	1.10				1.9	3455	743	38	1.25		2.1	3027	651	38	1.40		2.4	2665	573	38	1.60		2.8	2344	504	38	1.85		3.2	2032	437	38	2.10		3.6	1776	382	38	2.40		4.6	1418	305	38	3.05		5.4	1200	258	38	3.60		6.0	1079	232	38	4.00		7.0	925	199	38	4.65																																																																																																																																																																																																																																																	
13	388	69.12	8.4	1.50		15	341	60.81	8.6	1.70	GK57 GKF57 GKA57 GKAF57	4P	0.45	14463	3110	108	1.25	GK157R97 GKF157R97 GKA157R97 GKAF157R97	4P	15			322	57.42	8.7	1.80				11			445	123.85	8.1	1.25				13			389	108.29	8.4	1.45				14	369	102.88	8.4	1.50		15	324	90.26	8.6	1.70		18	275	76.56	8.8	2.00		20	248	69.12	8.9	2.20		23	218	60.81	9.0	2.60		24	206	57.42	9.1	2.70		13	375	104.37	5.6	1.00	GK47 GKF47 GKA47 GKAF47	4P	0.83	7757	1668	110			2.30	GK127R77 GKF127R77 GKA127R77 GKAF127R77	4P	15	326			90.86			6.2	1.15		16	306			85.12			6.5	1.50		18	270			75.20	6.8	1.40		20	251	69.84	6.9	1.50		22	227	63.30	7.1	1.65		24	204	56.83	7.3	1.80		28	176	48.95	7.4	2.10		30	165	46.04	7.5	2.20		24	210	58.61	4.6	0.90	GK47 GKF47 GKA47 GKAF47	4P			1.0	6385	1373	110	2.80			GK127R77 GKF127R77 GKA127R77 GKAF127R77			4P	28	179	49.79	4.6			1.05				31	160	44.46	4.5			1.15		37	136	37.97	4.4	1.35		39	128	35.57	4.4	1.45		46	108	29.96	4.2	1.75		48	103	28.83	4.2	1.80		56	90	24.99	4.1	2.10		60	84	23.36	4.0	2.20		69	72	20.19	3.9	2.40		81	62	17.15	3.8	2.70		91	55	15.31	3.7	3.00		1.3	5125	1102			38	0.85	GK107R77 GKF107R77 GKA107R77 GKAF107R77	4P	1.3			5125			1102	38	0.85	GK107R77 GKF107R77 GKA107R77 GKAF107R77	4P			1.5			4451	957	38	0.95				1.6	3976	855	38	1.10		1.9	3455	743	38	1.25		2.1	3027	651	38	1.40		2.4	2665	573	38	1.60		2.8	2344	504	38	1.85		3.2	2032	437	38	2.10		3.6	1776	382	38	2.40		4.6	1418	305	38	3.05		5.4	1200	258	38	3.60		6.0	1079	232	38	4.00		7.0	925	199	38	4.65																																																																																																																																																																																																																																											
15	341	60.81	8.6	1.70	GK57 GKF57 GKA57 GKAF57	4P	0.45	14463	3110	108			1.25	GK157R97 GKF157R97 GKA157R97 GKAF157R97	4P																																																																																																																																																																																																																																																																																																																																																																																																																																																																																																																																																																																								
15	322	57.42	8.7	1.80				11	445	123.85			8.1			1.25				13			389	108.29	8.4	1.45				14	369	102.88	8.4	1.50		15	324	90.26	8.6	1.70		18	275	76.56	8.8	2.00		20	248	69.12	8.9	2.20		23	218	60.81	9.0	2.60		24	206	57.42	9.1	2.70		13	375	104.37	5.6	1.00	GK47 GKF47 GKA47 GKAF47	4P	0.83	7757	1668	110	2.30	GK127R77 GKF127R77 GKA127R77 GKAF127R77	4P	15	326	90.86	6.2	1.15		16	306	85.12	6.5	1.50				18	270	75.20			6.8			1.40				20	251	69.84	6.9	1.50		22	227	63.30	7.1	1.65		24	204	56.83	7.3	1.80		28	176	48.95	7.4	2.10		30	165	46.04	7.5	2.20		24	210	58.61	4.6	0.90	GK47 GKF47 GKA47 GKAF47	4P	1.0	6385	1373	110	2.80	GK127R77 GKF127R77 GKA127R77 GKAF127R77	4P	28	179	49.79	4.6	1.05		31	160	44.46	4.5	1.15		37	136	37.97					4.4	1.35		39	128				35.57	4.4		1.45		46	108	29.96	4.2	1.75		48	103	28.83	4.2	1.80		56	90	24.99	4.1	2.10		60	84	23.36	4.0	2.20		69	72	20.19	3.9	2.40		81	62	17.15	3.8	2.70		91	55	15.31	3.7	3.00		1.3	5125	1102	38	0.85	GK107R77 GKF107R77 GKA107R77 GKAF107R77	4P	1.3	5125	1102	38	0.85	GK107R77 GKF107R77 GKA107R77 GKAF107R77	4P	1.5	4451	957	38	0.95		1.6	3976	855	38	1.10		1.9	3455	743	38	1.25				2.1			3027			651	38	1.40		2.4	2665			573	38	1.60		2.8	2344	504	38	1.85		3.2	2032	437	38	2.10		3.6	1776	382	38	2.40		4.6	1418	305	38	3.05		5.4	1200	258	38	3.60		6.0	1079	232	38	4.00		7.0	925	199	38	4.65																																																																																																																																																																																																																																																																											
11	445	123.85	8.1	1.25				13	389	108.29			8.4			1.45				14	369	102.88	8.4	1.50		15	324	90.26	8.6	1.70		18	275	76.56	8.8	2.00		20	248	69.12	8.9	2.20		23	218	60.81	9.0	2.60		24	206	57.42	9.1	2.70		13	375	104.37	5.6	1.00	GK47 GKF47 GKA47 GKAF47	4P	0.83	7757	1668	110	2.30	GK127R77 GKF127R77 GKA127R77 GKAF127R77	4P	15			326	90.86	6.2	1.15				16	306	85.12	6.5	1.50		18	270	75.20	6.8	1.40				20	251	69.84	6.9	1.50				22	227	63.30	7.1	1.65		24	204	56.83	7.3	1.80		28	176	48.95	7.4	2.10		30	165	46.04	7.5	2.20		24	210	58.61	4.6	0.90	GK47 GKF47 GKA47 GKAF47	4P	1.0	6385	1373	110	2.80	GK127R77 GKF127R77 GKA127R77 GKAF127R77	4P	28			179	49.79	4.6	1.05				31	160	44.46	4.5	1.15		37	136	37.97	4.4	1.35		39	128	35.57			4.4	1.45		46	108	29.96	4.2	1.75			48	103		28.83	4.2	1.80		56	90	24.99	4.1	2.10		60	84	23.36	4.0	2.20		69	72	20.19	3.9	2.40		81	62	17.15	3.8	2.70		91	55	15.31	3.7	3.00		1.3	5125	1102	38	0.85	GK107R77 GKF107R77 GKA107R77 GKAF107R77	4P	1.3	5125	1102	38	0.85	GK107R77 GKF107R77 GKA107R77 GKAF107R77	4P	1.5			4451	957	38	0.95				1.6	3976	855	38	1.10		1.9	3455	743	38	1.25		2.1	3027	651	38	1.40		2.4	2665	573			38	1.60		2.8	2344	504	38	1.85				3.2	2032	437	38	2.10		3.6	1776	382	38	2.40		4.6	1418	305	38	3.05		5.4	1200	258	38	3.60		6.0	1079	232	38	4.00		7.0	925	199	38	4.65																																																																																																																																																																																																																																																																																					
13	389	108.29	8.4	1.45				14	369	102.88	8.4	1.50				15	324	90.26	8.6	1.70		18	275	76.56	8.8	2.00		20	248	69.12	8.9	2.20		23	218	60.81	9.0	2.60		24	206	57.42	9.1	2.70		13	375	104.37	5.6	1.00	GK47 GKF47 GKA47 GKAF47	4P	0.83	7757	1668	110	2.30	GK127R77 GKF127R77 GKA127R77 GKAF127R77	4P	15			326	90.86	6.2	1.15				16			306	85.12	6.5	1.50				18	270	75.20	6.8	1.40		20	251	69.84	6.9	1.50		22	227	63.30	7.1	1.65		24	204	56.83	7.3	1.80		28	176	48.95	7.4	2.10		30	165	46.04	7.5	2.20		24	210	58.61	4.6	0.90	GK47 GKF47 GKA47 GKAF47	4P	1.0	6385	1373	110	2.80	GK127R77 GKF127R77 GKA127R77 GKAF127R77	4P	28			179	49.79	4.6	1.05				31			160	44.46	4.5	1.15				37	136	37.97	4.4	1.35		39	128	35.57	4.4	1.45		46	108	29.96	4.2	1.75		48	103	28.83	4.2	1.80		56	90	24.99	4.1	2.10		60	84	23.36	4.0	2.20		69	72	20.19	3.9	2.40		81	62	17.15	3.8	2.70		91	55	15.31	3.7	3.00		1.3	5125	1102	38	0.85	GK107R77 GKF107R77 GKA107R77 GKAF107R77	4P	1.3	5125	1102	38	0.85	GK107R77 GKF107R77 GKA107R77 GKAF107R77	4P	1.5			4451	957	38	0.95				1.6			3976	855	38	1.10				1.9	3455	743	38	1.25		2.1	3027	651	38	1.40		2.4	2665	573	38	1.60		2.8	2344	504	38	1.85		3.2	2032	437	38	2.10		3.6	1776	382	38	2.40		4.6	1418	305	38	3.05		5.4	1200	258	38	3.60		6.0	1079	232	38	4.00		7.0	925	199	38	4.65																																																																																																																																																																																																																																																																																															
14	369	102.88	8.4	1.50		15	324	90.26	8.6	1.70		18	275	76.56	8.8	2.00		20	248	69.12	8.9	2.20		23	218	60.81	9.0	2.60		24	206	57.42	9.1	2.70		13	375	104.37	5.6	1.00	GK47 GKF47 GKA47 GKAF47	4P	0.83	7757	1668	110	2.30	GK127R77 GKF127R77 GKA127R77 GKAF127R77	4P	15			326	90.86	6.2	1.15				16			306	85.12	6.5	1.50				18			270	75.20	6.8	1.40				20	251	69.84	6.9	1.50		22	227	63.30	7.1	1.65		24	204	56.83	7.3	1.80		28	176	48.95	7.4	2.10		30	165	46.04	7.5	2.20		24	210	58.61	4.6	0.90	GK47 GKF47 GKA47 GKAF47	4P	1.0	6385	1373	110			2.80	GK127R77 GKF127R77 GKA127R77 GKAF127R77	4P	28	179			49.79			4.6	1.05		31	160			44.46			4.5	1.15		37	136			37.97	4.4	1.35		39	128	35.57	4.4	1.45		46	108	29.96	4.2	1.75		48	103	28.83	4.2	1.80		56	90	24.99	4.1	2.10		60	84	23.36	4.0	2.20		69	72	20.19	3.9	2.40		81	62	17.15	3.8	2.70		91	55	15.31	3.7	3.00		1.3	5125	1102	38	0.85	GK107R77 GKF107R77 GKA107R77 GKAF107R77	4P			1.3	5125	1102	38	0.85			GK107R77 GKF107R77 GKA107R77 GKAF107R77			4P	1.5	4451	957	38			0.95				1.6	3976	855	38			1.10		1.9	3455	743	38	1.25		2.1	3027	651	38	1.40		2.4	2665	573	38	1.60		2.8	2344	504	38	1.85		3.2	2032	437	38	2.10		3.6	1776	382	38	2.40		4.6	1418	305	38	3.05		5.4	1200	258	38	3.60		6.0	1079	232	38	4.00		7.0	925	199	38	4.65																																																																																																																																																																																																																																																																																													
15	324	90.26	8.6	1.70		18	275	76.56	8.8	2.00		20	248	69.12	8.9	2.20		23	218	60.81	9.0	2.60		24	206	57.42	9.1	2.70		13	375	104.37	5.6	1.00	GK47 GKF47 GKA47 GKAF47	4P	0.83	7757	1668	110			2.30	GK127R77 GKF127R77 GKA127R77 GKAF127R77	4P	15	326			90.86			6.2	1.15		16	306			85.12			6.5	1.50		18	270			75.20	6.8	1.40		20	251	69.84	6.9	1.50		22	227	63.30	7.1	1.65		24	204	56.83	7.3	1.80		28	176	48.95	7.4	2.10		30	165	46.04	7.5	2.20		24	210	58.61	4.6	0.90	GK47 GKF47 GKA47 GKAF47	4P	1.0	6385	1373	110			2.80	GK127R77 GKF127R77 GKA127R77 GKAF127R77	4P	28			179			49.79	4.6			1.05				31	160	44.46	4.5			1.15		37	136	37.97	4.4	1.35		39	128	35.57	4.4	1.45		46	108	29.96	4.2	1.75		48	103	28.83	4.2	1.80		56	90	24.99	4.1	2.10		60	84	23.36	4.0	2.20		69	72	20.19	3.9	2.40		81	62	17.15	3.8	2.70		91	55	15.31	3.7	3.00		1.3	5125	1102	38	0.85	GK107R77 GKF107R77 GKA107R77 GKAF107R77	4P	1.3	5125	1102	38					0.85	GK107R77 GKF107R77 GKA107R77 GKAF107R77	4P	1.5	4451							957	38	0.95				1.6	3976	855	38	1.10		1.9	3455	743	38	1.25		2.1	3027	651	38	1.40		2.4	2665	573	38	1.60		2.8	2344	504	38	1.85		3.2	2032	437	38	2.10		3.6	1776	382	38	2.40		4.6	1418	305	38	3.05		5.4	1200	258	38	3.60		6.0	1079	232	38	4.00		7.0	925	199	38	4.65																																																																																																																																																																																																																																																																																																			
18	275	76.56	8.8	2.00		20	248	69.12	8.9	2.20		23	218	60.81	9.0	2.60		24	206	57.42	9.1	2.70		13	375	104.37	5.6	1.00	GK47 GKF47 GKA47 GKAF47	4P	0.83	7757	1668	110			2.30	GK127R77 GKF127R77 GKA127R77 GKAF127R77	4P	15			326			90.86	6.2			1.15				16	306	85.12	6.5			1.50		18	270	75.20	6.8	1.40		20	251	69.84	6.9	1.50		22	227	63.30	7.1	1.65		24	204	56.83	7.3	1.80		28	176	48.95	7.4	2.10		30	165	46.04	7.5	2.20		24	210	58.61	4.6	0.90	GK47 GKF47 GKA47 GKAF47	4P	1.0	6385	1373	110			2.80	GK127R77 GKF127R77 GKA127R77 GKAF127R77	4P	28			179			49.79			4.6			1.05				31	160	44.46	4.5	1.15		37	136	37.97	4.4	1.35		39	128	35.57	4.4	1.45		46	108	29.96	4.2	1.75		48	103	28.83	4.2	1.80		56	90	24.99	4.1	2.10		60	84	23.36	4.0	2.20		69	72	20.19	3.9	2.40		81	62	17.15	3.8	2.70		91	55	15.31	3.7	3.00		1.3	5125	1102	38	0.85	GK107R77 GKF107R77 GKA107R77 GKAF107R77	4P	1.3	5125	1102	38			0.85	GK107R77 GKF107R77 GKA107R77 GKAF107R77	4P	1.5					4451			957	38				0.95			1.6	3976	855	38	1.10		1.9	3455	743	38	1.25		2.1	3027	651	38	1.40		2.4	2665	573	38	1.60		2.8	2344	504	38	1.85		3.2	2032	437	38	2.10		3.6	1776	382	38	2.40		4.6	1418	305	38	3.05		5.4	1200	258	38	3.60		6.0	1079	232	38	4.00		7.0	925	199	38	4.65																																																																																																																																																																																																																																																																																																									
20	248	69.12	8.9	2.20		23	218	60.81	9.0	2.60		24	206	57.42	9.1	2.70		13	375	104.37	5.6	1.00	GK47 GKF47 GKA47 GKAF47	4P	0.83	7757	1668	110			2.30	GK127R77 GKF127R77 GKA127R77 GKAF127R77	4P	15			326			90.86			6.2			1.15				16	306	85.12	6.5	1.50		18	270	75.20	6.8	1.40		20	251	69.84	6.9	1.50		22	227	63.30	7.1	1.65		24	204	56.83	7.3	1.80		28	176	48.95	7.4	2.10		30	165	46.04	7.5	2.20		24	210	58.61	4.6	0.90	GK47 GKF47 GKA47 GKAF47	4P	1.0	6385	1373	110			2.80	GK127R77 GKF127R77 GKA127R77 GKAF127R77	4P	28			179			49.79			4.6			1.05		31	160			44.46	4.5	1.15		37	136	37.97	4.4	1.35		39	128	35.57	4.4	1.45		46	108	29.96	4.2	1.75		48	103	28.83	4.2	1.80		56	90	24.99	4.1	2.10		60	84	23.36	4.0	2.20		69	72	20.19	3.9	2.40		81	62	17.15	3.8	2.70		91	55	15.31	3.7	3.00		1.3	5125	1102	38	0.85	GK107R77 GKF107R77 GKA107R77 GKAF107R77	4P	1.3	5125	1102	38			0.85	GK107R77 GKF107R77 GKA107R77 GKAF107R77	4P	1.5			4451			957			38	0.95				1.6	3976	855	38		1.10			1.9	3455	743	38	1.25		2.1	3027	651	38	1.40		2.4	2665	573	38	1.60		2.8	2344	504	38	1.85		3.2	2032	437	38	2.10		3.6	1776	382	38	2.40		4.6	1418	305	38	3.05		5.4	1200	258	38	3.60		6.0	1079	232	38	4.00		7.0	925	199	38	4.65																																																																																																																																																																																																																																																																																																															
23	218	60.81	9.0	2.60		24	206	57.42	9.1	2.70		13	375	104.37	5.6	1.00	GK47 GKF47 GKA47 GKAF47	4P	0.83	7757	1668	110			2.30	GK127R77 GKF127R77 GKA127R77 GKAF127R77	4P	15			326			90.86			6.2			1.15		16	306			85.12	6.5	1.50		18	270	75.20	6.8	1.40		20	251	69.84	6.9	1.50		22	227	63.30	7.1	1.65		24	204	56.83	7.3	1.80		28	176	48.95	7.4	2.10		30	165	46.04	7.5	2.20		24	210	58.61	4.6	0.90	GK47 GKF47 GKA47 GKAF47	4P	1.0	6385	1373	110			2.80	GK127R77 GKF127R77 GKA127R77 GKAF127R77	4P	28			179			49.79			4.6			1.05		31	160			44.46	4.5	1.15		37	136	37.97	4.4	1.35		39	128	35.57	4.4	1.45		46	108	29.96	4.2	1.75		48	103	28.83	4.2	1.80		56	90	24.99	4.1	2.10		60	84	23.36	4.0	2.20		69	72	20.19	3.9	2.40		81	62	17.15	3.8	2.70		91	55	15.31	3.7	3.00		1.3	5125	1102	38	0.85	GK107R77 GKF107R77 GKA107R77 GKAF107R77	4P	1.3	5125	1102	38			0.85	GK107R77 GKF107R77 GKA107R77 GKAF107R77	4P	1.5			4451			957			38			0.95		1.6	3976	855	38			1.10		1.9	3455	743	38	1.25		2.1	3027	651	38	1.40		2.4	2665	573	38	1.60		2.8	2344	504	38	1.85		3.2	2032	437	38	2.10		3.6	1776	382	38	2.40		4.6	1418	305	38	3.05		5.4	1200	258	38	3.60		6.0	1079	232	38	4.00		7.0	925	199	38	4.65																																																																																																																																																																																																																																																																																																																					
24	206	57.42	9.1	2.70		13	375	104.37	5.6	1.00	GK47 GKF47 GKA47 GKAF47	4P	0.83	7757	1668	110			2.30	GK127R77 GKF127R77 GKA127R77 GKAF127R77	4P	15			326			90.86			6.2			1.15		16	306			85.12	6.5	1.50		18	270	75.20	6.8	1.40		20	251	69.84	6.9	1.50		22	227	63.30	7.1	1.65		24	204	56.83	7.3	1.80		28	176	48.95	7.4	2.10		30	165	46.04	7.5	2.20		24	210	58.61	4.6	0.90	GK47 GKF47 GKA47 GKAF47	4P	1.0	6385	1373	110			2.80	GK127R77 GKF127R77 GKA127R77 GKAF127R77	4P	28			179			49.79			4.6			1.05		31	160			44.46	4.5	1.15		37	136	37.97	4.4	1.35		39	128	35.57	4.4	1.45		46	108	29.96	4.2	1.75		48	103	28.83	4.2	1.80		56	90	24.99	4.1	2.10		60	84	23.36	4.0	2.20		69	72	20.19	3.9	2.40		81	62	17.15	3.8	2.70		91	55	15.31	3.7	3.00		1.3	5125	1102	38	0.85	GK107R77 GKF107R77 GKA107R77 GKAF107R77	4P	1.3	5125	1102	38			0.85	GK107R77 GKF107R77 GKA107R77 GKAF107R77	4P	1.5			4451			957			38			0.95		1.6	3976			855	38	1.10		1.9	3455	743	38	1.25		2.1	3027	651	38	1.40		2.4	2665	573	38	1.60		2.8	2344	504	38	1.85		3.2	2032	437	38	2.10		3.6	1776	382	38	2.40		4.6	1418	305	38	3.05		5.4	1200	258	38	3.60		6.0	1079	232	38	4.00		7.0	925	199	38	4.65																																																																																																																																																																																																																																																																																																																											
13	375	104.37	5.6	1.00	GK47 GKF47 GKA47 GKAF47	4P	0.83	7757	1668	110			2.30	GK127R77 GKF127R77 GKA127R77 GKAF127R77	4P																																																																																																																																																																																																																																																																																																																																																																																																																																																																																																																																																																																								
15	326	90.86	6.2	1.15				16	306	85.12			6.5			1.50						18	270	75.20	6.8			1.40		20	251	69.84	6.9	1.50		22	227	63.30	7.1	1.65		24	204	56.83	7.3	1.80		28	176	48.95	7.4	2.10		30	165	46.04	7.5	2.20		24	210	58.61	4.6	0.90	GK47 GKF47 GKA47 GKAF47	4P	1.0	6385	1373	110	2.80	GK127R77 GKF127R77 GKA127R77 GKAF127R77	4P	28	179	49.79	4.6	1.05		31	160	44.46	4.5	1.15				37	136	37.97			4.4			1.35		39	128			35.57	4.4	1.45		46	108	29.96	4.2	1.75		48	103	28.83	4.2	1.80		56	90	24.99	4.1	2.10		60	84	23.36	4.0	2.20		69	72	20.19	3.9	2.40		81	62	17.15	3.8	2.70		91	55	15.31	3.7	3.00		1.3	5125	1102	38	0.85	GK107R77 GKF107R77 GKA107R77 GKAF107R77	4P	1.3	5125	1102	38	0.85	GK107R77 GKF107R77 GKA107R77 GKAF107R77	4P	1.5	4451	957	38	0.95		1.6	3976	855	38	1.10		1.9	3455	743			38	1.25		2.1			3027			651	38	1.40				2.4	2665	573	38	1.60		2.8	2344	504	38	1.85		3.2	2032	437	38	2.10		3.6	1776	382	38	2.40		4.6	1418	305	38	3.05		5.4	1200	258	38	3.60		6.0	1079	232	38	4.00		7.0	925	199	38	4.65																																																																																																																																																																																																																																																																																																																																																							
16	306	85.12	6.5	1.50				18	270	75.20			6.8			1.40		20	251			69.84	6.9	1.50		22	227	63.30	7.1	1.65		24	204	56.83	7.3	1.80		28	176	48.95	7.4	2.10		30	165	46.04	7.5	2.20		24	210	58.61	4.6	0.90	GK47 GKF47 GKA47 GKAF47	4P	1.0	6385	1373	110	2.80	GK127R77 GKF127R77 GKA127R77 GKAF127R77	4P	28			179	49.79	4.6	1.05				31	160	44.46	4.5	1.15		37	136	37.97	4.4	1.35				39	128	35.57	4.4	1.45				46	108	29.96	4.2	1.75		48	103	28.83	4.2	1.80		56	90	24.99	4.1	2.10		60	84	23.36	4.0	2.20		69	72	20.19	3.9	2.40		81	62	17.15	3.8	2.70		91	55	15.31	3.7	3.00		1.3	5125	1102	38	0.85	GK107R77 GKF107R77 GKA107R77 GKAF107R77	4P	1.3	5125	1102	38	0.85	GK107R77 GKF107R77 GKA107R77 GKAF107R77	4P	1.5			4451	957	38	0.95				1.6	3976	855	38	1.10		1.9	3455	743	38	1.25		2.1	3027	651			38	1.40		2.4	2665	573	38			1.60		2.8	2344	504	38	1.85		3.2	2032	437	38	2.10		3.6	1776	382	38	2.40		4.6	1418	305	38	3.05		5.4	1200	258	38	3.60		6.0	1079	232	38	4.00		7.0	925	199	38	4.65																																																																																																																																																																																																																																																																																																																																																																	
18	270	75.20	6.8	1.40				20	251	69.84	6.9	1.50				22	227	63.30	7.1	1.65		24	204	56.83	7.3	1.80		28	176	48.95	7.4	2.10		30	165	46.04	7.5	2.20		24	210	58.61	4.6	0.90	GK47 GKF47 GKA47 GKAF47	4P	1.0	6385	1373	110	2.80	GK127R77 GKF127R77 GKA127R77 GKAF127R77	4P	28			179	49.79	4.6	1.05				31			160	44.46	4.5	1.15				37	136	37.97	4.4	1.35		39	128	35.57	4.4	1.45		46	108	29.96	4.2	1.75		48	103	28.83	4.2	1.80		56	90	24.99	4.1	2.10		60	84	23.36	4.0	2.20		69	72	20.19	3.9	2.40		81	62	17.15	3.8	2.70		91	55	15.31	3.7	3.00		1.3	5125	1102	38	0.85	GK107R77 GKF107R77 GKA107R77 GKAF107R77	4P	1.3	5125	1102	38	0.85	GK107R77 GKF107R77 GKA107R77 GKAF107R77	4P	1.5			4451	957	38	0.95				1.6			3976	855	38	1.10				1.9	3455	743	38	1.25		2.1	3027	651	38	1.40		2.4	2665	573	38	1.60		2.8	2344	504	38	1.85		3.2	2032	437	38	2.10		3.6	1776	382	38	2.40		4.6	1418	305	38	3.05		5.4	1200	258	38	3.60		6.0	1079	232	38	4.00		7.0	925	199	38	4.65																																																																																																																																																																																																																																																																																																																																																																											
20	251	69.84	6.9	1.50		22	227	63.30	7.1	1.65		24	204	56.83	7.3	1.80		28	176	48.95	7.4	2.10		30	165	46.04	7.5	2.20		24	210	58.61	4.6	0.90	GK47 GKF47 GKA47 GKAF47	4P	1.0	6385	1373	110	2.80	GK127R77 GKF127R77 GKA127R77 GKAF127R77	4P	28			179	49.79	4.6	1.05				31			160	44.46	4.5	1.15				37			136	37.97	4.4	1.35				39	128	35.57	4.4	1.45		46	108	29.96	4.2	1.75		48	103	28.83	4.2	1.80		56	90	24.99	4.1	2.10		60	84	23.36	4.0	2.20		69	72	20.19	3.9	2.40		81	62	17.15	3.8	2.70		91	55	15.31	3.7	3.00		1.3	5125	1102	38	0.85	GK107R77 GKF107R77 GKA107R77 GKAF107R77	4P	1.3	5125	1102	38			0.85	GK107R77 GKF107R77 GKA107R77 GKAF107R77	4P	1.5	4451			957			38	0.95		1.6	3976			855			38	1.10		1.9	3455			743	38	1.25		2.1	3027	651	38	1.40		2.4	2665	573	38	1.60		2.8	2344	504	38	1.85		3.2	2032	437	38	2.10		3.6	1776	382	38	2.40		4.6	1418	305	38	3.05		5.4	1200	258	38	3.60		6.0	1079	232	38	4.00		7.0	925	199	38	4.65																																																																																																																																																																																																																																																																																																																																																																													
22	227	63.30	7.1	1.65		24	204	56.83	7.3	1.80		28	176	48.95	7.4	2.10		30	165	46.04	7.5	2.20		24	210	58.61	4.6	0.90	GK47 GKF47 GKA47 GKAF47	4P	1.0	6385	1373	110			2.80	GK127R77 GKF127R77 GKA127R77 GKAF127R77	4P	28	179			49.79			4.6	1.05		31	160			44.46			4.5	1.15		37	136			37.97	4.4	1.35		39	128	35.57	4.4	1.45		46	108	29.96	4.2	1.75		48	103	28.83	4.2	1.80		56	90	24.99	4.1	2.10		60	84	23.36	4.0	2.20		69	72	20.19	3.9	2.40		81	62	17.15	3.8	2.70		91	55	15.31	3.7	3.00		1.3	5125	1102	38	0.85	GK107R77 GKF107R77 GKA107R77 GKAF107R77	4P	1.3	5125	1102	38			0.85	GK107R77 GKF107R77 GKA107R77 GKAF107R77	4P	1.5			4451			957	38			0.95				1.6	3976	855	38			1.10		1.9	3455	743	38	1.25		2.1	3027	651	38	1.40		2.4	2665	573	38	1.60		2.8	2344	504	38	1.85		3.2	2032	437	38	2.10		3.6	1776	382	38	2.40		4.6	1418	305	38	3.05		5.4	1200	258	38	3.60		6.0	1079	232	38	4.00		7.0	925	199	38	4.65																																																																																																																																																																																																																																																																																																																																																																																			
24	204	56.83	7.3	1.80		28	176	48.95	7.4	2.10		30	165	46.04	7.5	2.20		24	210	58.61	4.6	0.90	GK47 GKF47 GKA47 GKAF47	4P	1.0	6385	1373	110			2.80	GK127R77 GKF127R77 GKA127R77 GKAF127R77	4P	28			179			49.79	4.6			1.05				31	160	44.46	4.5			1.15		37	136	37.97	4.4	1.35		39	128	35.57	4.4	1.45		46	108	29.96	4.2	1.75		48	103	28.83	4.2	1.80		56	90	24.99	4.1	2.10		60	84	23.36	4.0	2.20		69	72	20.19	3.9	2.40		81	62	17.15	3.8	2.70		91	55	15.31	3.7	3.00		1.3	5125	1102	38	0.85	GK107R77 GKF107R77 GKA107R77 GKAF107R77	4P	1.3	5125	1102	38			0.85	GK107R77 GKF107R77 GKA107R77 GKAF107R77	4P	1.5			4451			957			38			0.95				1.6	3976	855	38	1.10		1.9	3455	743	38	1.25		2.1	3027	651	38	1.40		2.4	2665	573	38	1.60		2.8	2344	504	38	1.85		3.2	2032	437	38	2.10		3.6	1776	382	38	2.40		4.6	1418	305	38	3.05		5.4	1200	258	38	3.60		6.0	1079	232	38	4.00		7.0	925	199	38	4.65																																																																																																																																																																																																																																																																																																																																																																																									
28	176	48.95	7.4	2.10		30	165	46.04	7.5	2.20		24	210	58.61	4.6	0.90	GK47 GKF47 GKA47 GKAF47	4P	1.0	6385	1373	110			2.80	GK127R77 GKF127R77 GKA127R77 GKAF127R77	4P	28			179			49.79			4.6			1.05				31	160	44.46	4.5	1.15		37	136	37.97	4.4	1.35		39	128	35.57	4.4	1.45		46	108	29.96	4.2	1.75		48	103	28.83	4.2	1.80		56	90	24.99	4.1	2.10		60	84	23.36	4.0	2.20		69	72	20.19	3.9	2.40		81	62	17.15	3.8	2.70		91	55	15.31	3.7	3.00		1.3	5125	1102	38	0.85	GK107R77 GKF107R77 GKA107R77 GKAF107R77	4P	1.3	5125	1102	38			0.85	GK107R77 GKF107R77 GKA107R77 GKAF107R77	4P	1.5			4451			957			38			0.95		1.6	3976			855	38	1.10		1.9	3455	743	38	1.25		2.1	3027	651	38	1.40		2.4	2665	573	38	1.60		2.8	2344	504	38	1.85		3.2	2032	437	38	2.10		3.6	1776	382	38	2.40		4.6	1418	305	38	3.05		5.4	1200	258	38	3.60		6.0	1079	232	38	4.00		7.0	925	199	38	4.65																																																																																																																																																																																																																																																																																																																																																																																															
30	165	46.04	7.5	2.20		24	210	58.61	4.6	0.90	GK47 GKF47 GKA47 GKAF47	4P	1.0	6385	1373	110			2.80	GK127R77 GKF127R77 GKA127R77 GKAF127R77	4P	28			179			49.79			4.6			1.05		31	160			44.46	4.5	1.15		37	136	37.97	4.4	1.35		39	128	35.57	4.4	1.45		46	108	29.96	4.2	1.75		48	103	28.83	4.2	1.80		56	90	24.99	4.1	2.10		60	84	23.36	4.0	2.20		69	72	20.19	3.9	2.40		81	62	17.15	3.8	2.70		91	55	15.31	3.7	3.00		1.3	5125	1102	38	0.85	GK107R77 GKF107R77 GKA107R77 GKAF107R77	4P	1.3	5125	1102	38			0.85	GK107R77 GKF107R77 GKA107R77 GKAF107R77	4P	1.5			4451			957			38			0.95		1.6	3976			855	38	1.10		1.9	3455	743	38	1.25		2.1	3027	651	38	1.40		2.4	2665	573	38	1.60		2.8	2344	504	38	1.85		3.2	2032	437	38	2.10		3.6	1776	382	38	2.40		4.6	1418	305	38	3.05		5.4	1200	258	38	3.60		6.0	1079	232	38	4.00		7.0	925	199	38	4.65																																																																																																																																																																																																																																																																																																																																																																																																					
24	210	58.61	4.6	0.90	GK47 GKF47 GKA47 GKAF47	4P	1.0	6385	1373	110			2.80	GK127R77 GKF127R77 GKA127R77 GKAF127R77	4P																																																																																																																																																																																																																																																																																																																																																																																																																																																																																																																																																																																								
28	179	49.79	4.6	1.05				31	160	44.46			4.5			1.15						37	136	37.97	4.4			1.35		39	128	35.57	4.4	1.45		46	108	29.96	4.2	1.75		48	103	28.83	4.2	1.80		56	90	24.99	4.1	2.10		60	84	23.36	4.0	2.20		69	72	20.19	3.9	2.40		81	62	17.15	3.8	2.70		91	55	15.31	3.7	3.00		1.3	5125	1102	38	0.85	GK107R77 GKF107R77 GKA107R77 GKAF107R77	4P	1.3	5125	1102	38	0.85	GK107R77 GKF107R77 GKA107R77 GKAF107R77	4P	1.5	4451	957	38	0.95		1.6	3976	855	38	1.10				1.9	3455	743			38			1.25		2.1	3027			651	38	1.40		2.4	2665	573	38	1.60		2.8	2344	504	38	1.85		3.2	2032	437	38	2.10		3.6	1776	382	38	2.40		4.6	1418	305	38	3.05		5.4	1200	258	38	3.60		6.0	1079	232	38	4.00		7.0	925	199	38	4.65																																																																																																																																																																																																																																																																																																																																																																																																																													
31	160	44.46	4.5	1.15				37	136	37.97			4.4			1.35		39	128			35.57	4.4	1.45		46	108	29.96	4.2	1.75		48	103	28.83	4.2	1.80		56	90	24.99	4.1	2.10		60	84	23.36	4.0	2.20		69	72	20.19	3.9	2.40		81	62	17.15	3.8	2.70		91	55	15.31	3.7	3.00		1.3	5125	1102	38	0.85	GK107R77 GKF107R77 GKA107R77 GKAF107R77	4P	1.3	5125	1102	38	0.85	GK107R77 GKF107R77 GKA107R77 GKAF107R77	4P	1.5			4451	957	38	0.95				1.6	3976	855	38	1.10		1.9	3455	743	38	1.25				2.1	3027	651	38	1.40				2.4	2665	573	38	1.60		2.8	2344	504	38	1.85		3.2	2032	437	38	2.10		3.6	1776	382	38	2.40		4.6	1418	305	38	3.05		5.4	1200	258	38	3.60		6.0	1079	232	38	4.00		7.0	925	199	38	4.65																																																																																																																																																																																																																																																																																																																																																																																																																																							
37	136	37.97	4.4	1.35				39	128	35.57	4.4	1.45				46	108	29.96	4.2	1.75		48	103	28.83	4.2	1.80		56	90	24.99	4.1	2.10		60	84	23.36	4.0	2.20		69	72	20.19	3.9	2.40		81	62	17.15	3.8	2.70		91	55	15.31	3.7	3.00		1.3	5125	1102	38	0.85	GK107R77 GKF107R77 GKA107R77 GKAF107R77	4P	1.3	5125	1102	38	0.85	GK107R77 GKF107R77 GKA107R77 GKAF107R77	4P	1.5			4451	957	38	0.95				1.6			3976	855	38	1.10				1.9	3455	743	38	1.25		2.1	3027	651	38	1.40		2.4	2665	573	38	1.60		2.8	2344	504	38	1.85		3.2	2032	437	38	2.10		3.6	1776	382	38	2.40		4.6	1418	305	38	3.05		5.4	1200	258	38	3.60		6.0	1079	232	38	4.00		7.0	925	199	38	4.65																																																																																																																																																																																																																																																																																																																																																																																																																																																	
39	128	35.57	4.4	1.45		46	108	29.96	4.2	1.75		48	103	28.83	4.2	1.80		56	90	24.99	4.1	2.10		60	84	23.36	4.0	2.20		69	72	20.19	3.9	2.40		81	62	17.15	3.8	2.70		91	55	15.31	3.7	3.00		1.3	5125	1102	38	0.85	GK107R77 GKF107R77 GKA107R77 GKAF107R77	4P	1.3	5125	1102	38	0.85	GK107R77 GKF107R77 GKA107R77 GKAF107R77	4P	1.5			4451	957	38	0.95				1.6			3976	855	38	1.10				1.9			3455	743	38	1.25				2.1	3027	651	38	1.40		2.4	2665	573	38	1.60		2.8	2344	504	38	1.85		3.2	2032	437	38	2.10		3.6	1776	382	38	2.40		4.6	1418	305	38	3.05		5.4	1200	258	38	3.60		6.0	1079	232	38	4.00		7.0	925	199	38	4.65																																																																																																																																																																																																																																																																																																																																																																																																																																																							
46	108	29.96	4.2	1.75		48	103	28.83	4.2	1.80		56	90	24.99	4.1	2.10		60	84	23.36	4.0	2.20		69	72	20.19	3.9	2.40		81	62	17.15	3.8	2.70		91	55	15.31	3.7	3.00		1.3	5125	1102	38	0.85	GK107R77 GKF107R77 GKA107R77 GKAF107R77	4P	1.3	5125	1102	38			0.85	GK107R77 GKF107R77 GKA107R77 GKAF107R77	4P	1.5	4451			957			38	0.95		1.6	3976			855			38	1.10		1.9	3455			743	38	1.25		2.1	3027	651	38	1.40		2.4	2665	573	38	1.60		2.8	2344	504	38	1.85		3.2	2032	437	38	2.10		3.6	1776	382	38	2.40		4.6	1418	305	38	3.05		5.4	1200	258	38	3.60		6.0	1079	232	38	4.00		7.0	925	199	38	4.65																																																																																																																																																																																																																																																																																																																																																																																																																																																													
48	103	28.83	4.2	1.80		56	90	24.99	4.1	2.10		60	84	23.36	4.0	2.20		69	72	20.19	3.9	2.40		81	62	17.15	3.8	2.70		91	55	15.31	3.7	3.00		1.3	5125	1102	38	0.85	GK107R77 GKF107R77 GKA107R77 GKAF107R77	4P	1.3	5125	1102	38			0.85	GK107R77 GKF107R77 GKA107R77 GKAF107R77	4P	1.5			4451			957	38			0.95				1.6	3976	855	38			1.10		1.9	3455	743	38	1.25		2.1	3027	651	38	1.40		2.4	2665	573	38	1.60		2.8	2344	504	38	1.85		3.2	2032	437	38	2.10		3.6	1776	382	38	2.40		4.6	1418	305	38	3.05		5.4	1200	258	38	3.60		6.0	1079	232	38	4.00		7.0	925	199	38	4.65																																																																																																																																																																																																																																																																																																																																																																																																																																																																			
56	90	24.99	4.1	2.10		60	84	23.36	4.0	2.20		69	72	20.19	3.9	2.40		81	62	17.15	3.8	2.70		91	55	15.31	3.7	3.00		1.3	5125	1102	38	0.85	GK107R77 GKF107R77 GKA107R77 GKAF107R77	4P	1.3	5125	1102	38			0.85	GK107R77 GKF107R77 GKA107R77 GKAF107R77	4P	1.5			4451			957			38			0.95				1.6	3976	855	38	1.10		1.9	3455	743	38	1.25		2.1	3027	651	38	1.40		2.4	2665	573	38	1.60		2.8	2344	504	38	1.85		3.2	2032	437	38	2.10		3.6	1776	382	38	2.40		4.6	1418	305	38	3.05		5.4	1200	258	38	3.60		6.0	1079	232	38	4.00		7.0	925	199	38	4.65																																																																																																																																																																																																																																																																																																																																																																																																																																																																									
60	84	23.36	4.0	2.20		69	72	20.19	3.9	2.40		81	62	17.15	3.8	2.70		91	55	15.31	3.7	3.00		1.3	5125	1102	38	0.85	GK107R77 GKF107R77 GKA107R77 GKAF107R77	4P	1.3	5125	1102	38			0.85	GK107R77 GKF107R77 GKA107R77 GKAF107R77	4P	1.5			4451			957			38			0.95		1.6	3976			855	38	1.10		1.9	3455	743	38	1.25		2.1	3027	651	38	1.40		2.4	2665	573	38	1.60		2.8	2344	504	38	1.85		3.2	2032	437	38	2.10		3.6	1776	382	38	2.40		4.6	1418	305	38	3.05		5.4	1200	258	38	3.60		6.0	1079	232	38	4.00		7.0	925	199	38	4.65																																																																																																																																																																																																																																																																																																																																																																																																																																																																															
69	72	20.19	3.9	2.40		81	62	17.15	3.8	2.70		91	55	15.31	3.7	3.00		1.3	5125	1102	38	0.85	GK107R77 GKF107R77 GKA107R77 GKAF107R77	4P	1.3	5125	1102	38			0.85	GK107R77 GKF107R77 GKA107R77 GKAF107R77	4P	1.5			4451			957			38			0.95		1.6	3976			855	38	1.10		1.9	3455	743	38	1.25		2.1	3027	651	38	1.40		2.4	2665	573	38	1.60		2.8	2344	504	38	1.85		3.2	2032	437	38	2.10		3.6	1776	382	38	2.40		4.6	1418	305	38	3.05		5.4	1200	258	38	3.60		6.0	1079	232	38	4.00		7.0	925	199	38	4.65																																																																																																																																																																																																																																																																																																																																																																																																																																																																																					
81	62	17.15	3.8	2.70		91	55	15.31	3.7	3.00		1.3	5125	1102	38	0.85	GK107R77 GKF107R77 GKA107R77 GKAF107R77	4P	1.3	5125	1102	38			0.85	GK107R77 GKF107R77 GKA107R77 GKAF107R77	4P	1.5			4451			957			38			0.95		1.6	3976			855	38	1.10		1.9	3455	743	38	1.25		2.1	3027	651	38	1.40		2.4	2665	573	38	1.60		2.8	2344	504	38	1.85		3.2	2032	437	38	2.10		3.6	1776	382	38	2.40		4.6	1418	305	38	3.05		5.4	1200	258	38	3.60		6.0	1079	232	38	4.00		7.0	925	199	38	4.65																																																																																																																																																																																																																																																																																																																																																																																																																																																																																											
91	55	15.31	3.7	3.00		1.3	5125	1102	38	0.85	GK107R77 GKF107R77 GKA107R77 GKAF107R77	4P	1.3	5125	1102	38			0.85	GK107R77 GKF107R77 GKA107R77 GKAF107R77	4P	1.5			4451			957			38			0.95		1.6	3976			855	38	1.10		1.9	3455	743	38	1.25		2.1	3027	651	38	1.40		2.4	2665	573	38	1.60		2.8	2344	504	38	1.85		3.2	2032	437	38	2.10		3.6	1776	382	38	2.40		4.6	1418	305	38	3.05		5.4	1200	258	38	3.60		6.0	1079	232	38	4.00		7.0	925	199	38	4.65																																																																																																																																																																																																																																																																																																																																																																																																																																																																																																	
1.3	5125	1102	38	0.85	GK107R77 GKF107R77 GKA107R77 GKAF107R77	4P	1.3	5125	1102	38			0.85	GK107R77 GKF107R77 GKA107R77 GKAF107R77	4P																																																																																																																																																																																																																																																																																																																																																																																																																																																																																																																																																																																								
1.5	4451	957	38	0.95				1.6	3976	855			38			1.10						1.9	3455	743	38			1.25		2.1	3027	651	38	1.40		2.4	2665	573	38	1.60		2.8	2344	504	38	1.85		3.2	2032	437	38	2.10		3.6	1776	382	38	2.40		4.6	1418	305	38	3.05		5.4	1200	258	38	3.60		6.0	1079	232	38	4.00		7.0	925	199	38	4.65																																																																																																																																																																																																																																																																																																																																																																																																																																																																																																																					
1.6	3976	855	38	1.10				1.9	3455	743			38			1.25		2.1	3027			651	38	1.40		2.4	2665	573	38	1.60		2.8	2344	504	38	1.85		3.2	2032	437	38	2.10		3.6	1776	382	38	2.40		4.6	1418	305	38	3.05		5.4	1200	258	38	3.60		6.0	1079	232	38	4.00		7.0	925	199	38	4.65																																																																																																																																																																																																																																																																																																																																																																																																																																																																																																																															
1.9	3455	743	38	1.25				2.1	3027	651	38	1.40				2.4	2665	573	38	1.60		2.8	2344	504	38	1.85		3.2	2032	437	38	2.10		3.6	1776	382	38	2.40		4.6	1418	305	38	3.05		5.4	1200	258	38	3.60		6.0	1079	232	38	4.00		7.0	925	199	38	4.65																																																																																																																																																																																																																																																																																																																																																																																																																																																																																																																																									
2.1	3027	651	38	1.40		2.4	2665	573	38	1.60		2.8	2344	504	38	1.85		3.2	2032	437	38	2.10		3.6	1776	382	38	2.40		4.6	1418	305	38	3.05		5.4	1200	258	38	3.60		6.0	1079	232	38	4.00		7.0	925	199	38	4.65																																																																																																																																																																																																																																																																																																																																																																																																																																																																																																																																																			
2.4	2665	573	38	1.60		2.8	2344	504	38	1.85		3.2	2032	437	38	2.10		3.6	1776	382	38	2.40		4.6	1418	305	38	3.05		5.4	1200	258	38	3.60		6.0	1079	232	38	4.00		7.0	925	199	38	4.65																																																																																																																																																																																																																																																																																																																																																																																																																																																																																																																																																									
2.8	2344	504	38	1.85		3.2	2032	437	38	2.10		3.6	1776	382	38	2.40		4.6	1418	305	38	3.05		5.4	1200	258	38	3.60		6.0	1079	232	38	4.00		7.0	925	199	38	4.65																																																																																																																																																																																																																																																																																																																																																																																																																																																																																																																																																															
3.2	2032	437	38	2.10		3.6	1776	382	38	2.40		4.6	1418	305	38	3.05		5.4	1200	258	38	3.60		6.0	1079	232	38	4.00		7.0	925	199	38	4.65																																																																																																																																																																																																																																																																																																																																																																																																																																																																																																																																																																					
3.6	1776	382	38	2.40		4.6	1418	305	38	3.05		5.4	1200	258	38	3.60		6.0	1079	232	38	4.00		7.0	925	199	38	4.65																																																																																																																																																																																																																																																																																																																																																																																																																																																																																																																																																																											
4.6	1418	305	38	3.05		5.4	1200	258	38	3.60		6.0	1079	232	38	4.00		7.0	925	199	38	4.65																																																																																																																																																																																																																																																																																																																																																																																																																																																																																																																																																																																	
5.4	1200	258	38	3.60		6.0	1079	232	38	4.00		7.0	925	199	38	4.65																																																																																																																																																																																																																																																																																																																																																																																																																																																																																																																																																																																							
6.0	1079	232	38	4.00		7.0	925	199	38	4.65																																																																																																																																																																																																																																																																																																																																																																																																																																																																																																																																																																																													
7.0	925	199	38	4.65																																																																																																																																																																																																																																																																																																																																																																																																																																																																																																																																																																																																			

选型参数表
(恒功率)

Selection Table
(Constant Power)

n_a [r/min]	M_a [Nm]	i	F_{ra} [kN]	f_B	机型号 Type size	极数 Pole	n_a [r/min]	M_a [Nm]	i	F_{ra} [kN]	f_B	机型号 Type size	极数 Pole
0.75kW							0.75kW						
1.9	3376	726	25	0.80			18	368	75.20	5.8	1.00	GK47	
2.2	2967	638	26	0.90			20	342	69.84	6.1	1.10	GKF47	4P
2.5	2614	562	26	1.05			22	310	63.30	6.5	1.20	GKA47	
2.9	2204	474	27	1.25								GKAF47	
3.3	1981	426	27	1.35	GK87R57		24	278	56.83	6.8	1.35		
3.7	1735	373	27	1.55	GKF87R57	4P	28	240	48.95	7.1	1.55	GK47	
4.2	1535	330	27	1.75	GKA87R57		30	225	46.04	7.2	1.65	GKF47	4P
4.7	1367	294	27	2.00	GKAF87R57		35	194	39.61	7.4	1.95	GKA47	
5.6	1163	250	27	2.30			39	173	35.39	7.4	2.20	GKAF47	
5.9	1098	236	27	2.45			44	153	31.30	7.2	2.50		
6.9	935	201	27	2.90			31	218	44.46	4.0	0.85		
3.8	1711	368	13	0.90	GK77R37		37	186	37.97	3.9	1.00		
4.2	1525	328	15	1.00	GKF77R37	4P	39	174	35.57	3.9	1.10		
4.8	1353	291	16	1.15	GKA77R37		46	147	29.96	3.9	1.30		
5.5	1172	252	17	1.30	GKAF77R37		48	141	28.83	3.9	1.35		
6.3	1028	221	17	1.50			56	122	24.99	3.8	1.55		
					GK97		60	114	23.36	3.8	1.60		
3.9	1736	176.05	38	2.30	GKF97	8P	69	99	20.19	3.7	1.75	GK37	
4.5	1511	153.21	38	2.70	GKA97		81	84	17.15	3.6	2.00	GKF37	4P
4.9	1383	140.28	38	3.00	GKAF97		91	75	15.32	3.5	2.20	GKA37	
4.7	1453	147.32	27	1.75	GK87		106	64	13.08	3.4	2.40	GKAF37	
5.4	1252	126.91	27	2.00	GKF87	8P	114	59	12.14	3.3	2.50		
6.0	1142	115.82	27	2.20	GKA87		133	51	10.49	3.2	2.90		
6.7	1013	102.71	27	2.50	GKAF87		156	44	8.91	3.1	3.50		
5.2	1302	174.19	27	1.95	GK87		175	39	7.96	3.0	3.80		
5.5	1229	164.34	27	2.10	GKF87	6P	204	33	6.80	2.9	4.20		
6.2	1102	147.32	27	2.30	GKA87		218	31	6.37	2.8	4.40		
7.2	949	126.91	27	2.70	GKAF87		259	26	5.36	2.7	5.00		
7.0	966	197.37	27	2.60	GK87		1.1kW						
8.0	853	174.19	27	3.00	GKF87	4P	0.17	56695	8372	154	0.80		
8.5	804	164.34	27	3.20	GKA87		0.19	49205	7266	167	0.95		
9.4	721	147.32	27	3.50	GKAF87		0.21	44458	6565	171	1.05		
6.7	1013	135.51	17	1.45			0.23	40855	6033	171	1.15	GK187R97	4P
7.1	963	128.73	17	1.50	GK77	6P	0.26	36284	5358	171	1.30	GKA187R97	
8.0	851	113.75	18	1.70	GKF77		0.29	32438	4790	171	1.45		
9.4	727	97.21	18	2.00	GKA77		0.33	29167	4307	171	1.60		
10	666	89.12	18	2.20	GKAF77		0.36	26140	3860	171	1.75		
9.0	755	154.28	18	1.95			0.27	35661	5266	135	0.90		
10	663	135.51	18	2.20	GK77	4P	0.30	31882	4708	135	1.05	GK167R97	4P
11	630	128.73	18	2.30	GKF77		0.35	27447	4053	135	1.20	GKA167R97	
12	557	113.75	19	2.60	GKA77		0.42	22483	3320	135	1.45		
14	476	97.21	19	3.10	GKAF77		0.52	18345	2709	135	1.80		
					GK67		0.65	14682	2168	135	2.20		
11	605	123.54	11	1.30	GKF67	4P	0.83	11465	1693	135	2.80	GK167R97	4P
13	529	108.02	11	1.45	GKA67		1.01	9372	1384	135	3.40	GKA167R97	
15	441	90.04	12	1.75	GKAF67		1.10	8627	1274	135	3.70		
18	374	76.37	12	2.10	GK67		0.39	24230	3578	104	0.75	GK157R97	
20	338	68.95	12	2.30	GKF67	4P	0.45	21061	3110	106	0.85	GKF157R97	4P
23	297	60.66	12	2.60	GKA67		0.53	17776	2625	107	1.00	GKA157R97	
24	280	57.28	12	2.80	GKAF67		0.60	15887	2346	108	1.15	GKAF157R97	
11	606	123.85	6.8	0.95			0.84	11296	1668	109	1.60		
13	530	108.29	7.5	1.05			1.0	9298	1373	110	1.95	GK157R97	
14	504	102.88	7.8	1.10			1.1	8370	1236	110	2.15	GKF157R97	4P
15	442	90.26	8.1	1.30	GK57		1.3	7483	1105	110	2.40	GKA157R97	
18	375	76.56	8.4	1.50	GKF57	4P	1.5	6501	960	110	2.75	GKAF157R97	
20	338	69.12	8.6	1.65	GKA57		1.6	5892	870	110	3.05		
23	298	60.81	8.8	1.90	GKAF57		0.73	12928	1909	75	1.00	GK127R77	
24	281	57.42	8.8	2.00			0.80	11790	1741	76	1.10	GKF127R77	4P
28	239	48.89	9.0	2.40			0.92	10341	1527	76	1.25	GKA127R77	
31	217	44.43	9.1	2.60			1.0	9041	1335	77	1.45	GKAF127R77	



选型参数表
(恒功率)

Selection Table
(Constant Power)

n_a [r/min]	Ma [Nm]	i	F_{ra} [kN]	f_B	机型号 Type size	极数 Pole	n_a [r/min]	Ma [Nm]	i	F_{ra} [kN]	f_B	机型号 Type size	极数 Pole	
1.1kW							1.1kW							
1.2	7930	1171	77	1.65			10	966	135.51	17	1.55	GK77		
1.4	6772	1000	78	1.90			11	918	128.73	17	1.60	GKF77	4P	
1.6	5939	877	78	2.20	GK127R77		12	811	113.75	18	1.80	GKA77		
1.8	5302	783	78	2.45	GKF127R77	4P	14	693	97.21	18	2.10	GKAF77		
2.0	4727	698	78	2.75	GKA127R77		16	635	89.12	18	2.30	GK77		
2.3	4097	605	78	3.20	GKAF127R77		18	557	78.20	19	2.70	GKF77		
2.6	3711	548	78	3.50				19	528	74.11	19	2.80	GKA77	
3.0	3203	473	78	4.05				13	770	108.02	10	1.00		
1.2	7896	1166	62	1.00			14	732	102.62	10	1.05	GK67	4P	
1.4	6975	1030	62	1.15			16	642	90.04	11	1.20	GKF67		
1.5	6122	904	62	1.30	GK107R77		18	544	76.37	11	1.45	GKA67		
1.8	5370	793	62	1.50	GKF107R77	4P	20	492	68.95	12	1.60	GKAF67		
2.0	4713	696	62	1.70	GKA107R77		23	432	60.66	12	1.80			
2.3	4158	614	62	1.90	GKAF107R77		24	408	57.28	12	1.90	GK67	4P	
2.7	3535	522	62	2.25				29	348	48.77	12	2.20		GKF67
3.0	3122	461	62	2.55				32	316	44.32	12	2.50		GKA67
3.4	2763	408	62	2.90			36	274	38.39	12	2.80	GKAF67		
3.8	2465	364	62	3.25			16	643	90.26	2.3	0.90			
4.4	2153	318	62	3.70			18	546	76.56	7.4	1.05			
1.9	5032	743	38	0.85			20	493	69.12	7.9	1.15			
2.2	4409	651	38	0.95	GK97R57	4P	23	433	60.81	8.2	1.30	GK57	4P	
2.4	3880	573	38	1.10	GKF97R57		24	409	57.42	8.3	1.40	GKF57		
2.8	3413	504	38	1.25	GKA97R57		29	349	48.89	8.6	1.65	GKA57		
3.2	2959	437	38	1.45	GKAF97R57		32	317	44.43	8.7	1.80	GKAF57		
3.7	2587	382	38	1.65				36	274	38.49	8.9	2.10		
4.1	2316	342	38	1.85			39	254	35.70	8.9	2.20			
3.0	3210	474	25	0.85			46	216	30.28	9.1	2.60			
3.3	2885	426	26	0.95			51	195	27.34	9.0	2.90			
3.8	2526	373	26	1.05	GK87R57	4P	58	171	24.05	8.8	3.30			
4.2	2235	330	26	1.20	GKF87R57		62	162	22.71	8.6	3.50			
4.8	1991	294	27	1.35	GKA87R57		72	138	19.34	8.3	4.00			
5.6	1693	250	27	1.60	GKAF87R57		80	125	17.57	8.1	4.20			
5.9	1598	236	27	1.70				92	108	15.22	7.8	4.70	GK57	4P
7.0	1361	201	27	2.00			106	94	13.25	7.5	5.10	GKF57		
3.9	2546	176.05	38	1.60	GK97		117	85	11.92	7.2	4.60	GKA57		
4.5	2216	153.21	38	1.80	GKF97	124	80	11.26	7.1	4.90	GKAF57			
4.9	2029	140.28	38	2.00	GKA97	146	68	9.59	6.8	5.60				
5.6	1792	123.93	38	2.20	GKAF97	161	62	8.71	6.6	6.00				
5.2	1931	176.05	38	2.10	GK97	185	54	7.55	6.3	6.40				
5.9	1680	153.21	38	2.50	GKF97	213	47	6.57	6.1	7.00				
6.5	1538	140.28	38	2.70	GKA97									
7.3	1359	123.93	38	3.00	GKAF97									
					GK97		25	405	56.83	3.1	0.95	GK47	4P	
8.0	1255	176.05	38	3.30	GKF97		29	349	48.95	6.0	1.10	GKA47		
9.1	1092	153.21	38	3.70	GKA97		30	328	46.04	6.3	1.15	GKAF47		
10	1000	140.28	38	4.10	GKAF97		35	282	39.61	6.7	1.35			
5.2	1910	174.19	27	1.35	GK87		40	252	35.39	6.7	1.50	GK47	4P	
5.5	1802	164.34	27	1.45	GKF87		45	223	31.30	6.6	1.70	GKF47		
6.2	1616	147.32	27	1.60	GKA87		48	209	29.32	6.5	1.80	GKA47		
7.2	1392	126.91	27	1.85	GKAF87		54	185	25.91	6.4	2.10	GKAF47		
8.0	1242	174.19	27	2.10			64	155	21.81	6.2	2.40			
8.5	1171	164.34	27	2.20	GK87		72	140	19.58	6.0	2.70			
9.5	1050	147.32	27	2.40	GKF87	4P	47	214	29.96	3.2	0.90			
11	905	126.91	27	2.80	GKA87		56	178	24.99	3.3	1.05	GK37	4P	
12	826	115.82	27	3.10	GKAF87		60	167	23.36	3.3	1.10	GKF37		
6.7	1486	135.51	15	1.00	GK77	69	144	20.19	3.2	1.20	GKA37			
7.1	1412	128.73	15	1.05	GKF77	82	122	17.15	3.2	1.40	GKAF37			
8.0	1247	113.75	16	1.20	GKA77	91	109	15.32	3.2	1.50				
9.4	1066	97.21	17	1.40	GKAF77	107	93	13.08	3.1	1.70				

选型参数表
(恒功率)

Selection Table
(Constant Power)

n_a [r/min]	M_a [Nm]	i	F_{ra} [kN]	f_B	机型号 Type size	极数 Pole	n_a [r/min]	M_a [Nm]	i	F_{ra} [kN]	f_B	机型号 Type size	极数 Pole
1.1kW							1.5kW						
115	87	12.14	3.1	1.75			2.4	5291	573	38	0.80		
133	75	10.49	3.0	2.00	GK37		2.8	4654	504	38	0.90		
157	64	8.91	2.9	2.40	GKF37		3.2	4035	437	38	1.05		
176	57	7.96	2.8	2.60	GKA37	4P	3.7	3528	382	38	1.20	GK97R57	
206	48	6.80	2.7	2.90	GKAF37		4.1	3158	342	38	1.35	GKF97R57	4P
220	45	6.37	2.7	3.00			4.6	2817	305	38	1.55	GKA97R57	
261	38	5.36	2.6	3.50			5.4	2383	258	38	1.80	GKAF97R57	
1.5kW							1.5kW						
0.23	55712	6033	154	0.80			6.0	2142	232	38	2.00		
0.26	49478	5358	165	0.95	GK187R97		7.0	1838	199	38	2.35		
0.29	44233	4790	171	1.05	GKA187R97	4P	4.2	3047	330	25	0.90		
0.33	39773	4307	171	1.15			4.8	2715	294	26	1.00	GK87R57	
0.36	35645	3860	171	1.30			5.6	2309	250	26	1.15	GKF87R57	4P
0.43	29800	3227	171	1.50			5.9	2179	236	27	1.25	GKA87R57	
0.51	25275	2737	171	1.80	GK187R97	4P	7.0	1856	201	27	1.45	GKAF87R57	
0.62	20796	2252	171	2.20	GKA187R97		7.7	1690	183	27	1.60		
0.69	18728	2028	171	2.50			4.7	2871	143.47	62	2.70	GK107	
0.35	37427	4053	135	0.85	GK167R97		5.6	2431	121.46	62	3.20	GKF107	8P
0.42	30659	3320	135	1.05	GKA167R97	4P	6.0	2250	112.41	62	3.50	GKA107	
0.52	25016	2709	135	1.30								GKAF107	
0.65	20020	2168	135	1.60			4.4	3066	153.21	38	1.35	GK97	
0.83	15634	1693	135	2.10	GK167R97	4P	4.8	2807	140.28	38	1.50	GKF97	8P
1.01	12781	1384	135	2.50	GKA167R97		5.5	2480	123.93	38	1.70	GKA97	
1.10	11765	1274	135	2.70								GKAF97	
0.60	21664	2346	105	0.80	GK157R97		5.3	2549	176.05	38	1.55	GK97	
					GKF157R97	4P	6.1	2218	153.21	38	1.80	GKF97	6P
					GKA157R97		6.7	2031	140.28	38	1.95	GKA97	
					GKAF157R97		7.6	1794	123.93	38	2.20	GKAF97	
0.84	15403	1668	108	1.10			8.0	1711	176.05	38	2.40	GK97	
1.0	12679	1373	109	1.35			9.1	1489	153.21	38	2.80	GKF97	4P
1.1	11414	1236	109	1.50	GK157R97		10	1364	140.28	38	3.00	GKA97	
1.3	10204	1105	110	1.70	GKF157R97	4P	11	1205	123.93	38	3.40	GKAF97	
1.5	8865	960	110	1.95	GKA157R97		6.4	2133	147.32	26	1.20	GK87	
1.6	8034	870	110	2.15	GKAF157R97		7.4	1837	126.91	27	1.35	GKF87	6P
2.5	5264	570	110	3.25			8.1	1677	115.82	27	1.50	GKA87	
2.7	4710	510	111	3.65			9.2	1487	102.71	27	1.70	GKAF87	
2.6	4996	541	78	2.50	GK127R87		8.0	1693	174.19	27	1.55		
3.3	3906	423	78	3.15	GKF127R87	4P	8.5	1597	164.34	27	1.60	GK87	
3.8	3408	369	78	3.65	GKA127R87		9.5	1432	147.32	27	1.80	GKF87	4P
					GKAF127R87		11	1234	126.91	27	2.10	GKA87	
0.80	16077	1741	70	0.80			12	1126	115.82	27	2.30	GKAF87	
0.92	14101	1527	74	0.90			14	998	102.71	27	2.60		
1.0	12328	1335	76	1.05			16	839	86.34	27	3.10		
1.2	10814	1171	76	1.20			8.3	1647	113.75	13	0.90	GK77	
1.4	9235	1000	77	1.40	GK127R77		9.7	1407	97.21	15	1.05	GKF77	6P
1.6	8099	877	77	1.60	GKF127R77	4P	11	1290	89.12	16	1.10	GKA77	
1.8	7231	783	78	1.80	GKA127R77		12	1132	78.20	17	1.30	GKAF77	
2.0	6446	698	78	2.00	GKAF127R77		10	1317	135.51	16	1.15		
2.3	5587	605	78	2.35			11	1251	128.73	16	1.20	GK77	
2.6	5061	548	78	2.55			12	1106	113.75	17	1.35	GKF77	4P
3.0	4368	473	78	3.00			14	945	97.21	17	1.55	GKA77	
3.4	3786	410	78	3.45			16	866	89.12	18	1.70	GKAF77	
1.4	9512	1030	62	0.85			18	760	78.20	18	1.95		
1.5	8348	904	62	0.95			19	720	74.11	18	2.10		
1.8	7323	793	62	1.10			22	630	64.86	18	2.40	GK77	4P
2.0	6427	696	62	1.25	GK107R77		24	568	58.44	19	2.60	GKF77	
2.3	5670	614	62	1.40	GKF107R77	4P	27	498	51.26	19	3.00	GKA77	
2.7	4820	522	62	1.65	GKA107R77		31	440	45.24	19	3.40	GKAF77	
3.0	4257	461	62	1.90	GKAF107R77		35	390	40.10	19	3.80		
3.4	3768	408	62	2.10									
3.8	3361	364	62	2.40									
4.4	2937	318	62	2.70									

选型参数表
(恒功率)

Selection Table
(Constant Power)

n_a [r/min]	Ma [Nm]	i	F_{ra} [kN]	f_B	机型号 Type size	极数 Pole	n_a [r/min]	Ma [Nm]	i	F_{ra} [kN]	f_B	机型号 Type size	极数 Pole
1.5kW							2.2kW						
16	875	90.04	8.9	0.90			0.66	28747	2168	135	1.10		
18	742	76.37	10	1.05	GK67		0.84	22449	1693	135	1.40		
20	670	68.95	11	1.15	GKF67	4P	1.03	18352	1384	135	1.70	GK167R97	4P
23	590	60.66	11	1.35	GKA67		1.12	16893	1274	135	1.85	GKA167R97	
24	557	57.28	11	1.40	GKAF67		1.31	14506	1094	135	2.20		
29	474	48.77	12	1.65			1.54	12318	929	135	2.50		
32	431	44.32	12	1.80			0.86	22117	1668	104	0.80		
36	373	38.39	12	2.00	GK67		1.0	18206	1373	106	1.00	GK157R97	
39	346	35.61	12	2.30	GKF67	4P	1.2	16389	1236	107	1.10	GKF157R97	4P
46	294	30.21	12	2.70	GKA67		1.3	14652	1105	108	1.20	GKA157R97	
51	265	27.27	12	3.00	GKAF67		1.5	12729	960	109	1.40	GKAF157R97	
58	233	23.99	12	3.30			1.6	11536	870	109	1.55		
23	591	60.81	7.1	0.95	GK57			1.9	10077	760	110	1.80	
24	558	57.42	7.4	1.05	GKF57	4P	2.6	7174	541	78	1.80		
29	475	48.89	8.0	1.20	GKA57		3.0	6325	477	78	2.05	GK127R87	
32	432	44.43	8.2	1.35	GKAF57		3.4	5609	423	78	2.30	GKF127R87	4P
36	374	38.49	8.5	1.55			3.9	4893	369	78	2.65	GKA127R87	
39	347	35.70	8.6	1.65	GK57	4.3	4416	333	78	2.95	GKAF127R87		
46	294	30.28	8.7	1.95	GKF57		1.4	13260	1000	74	0.95		
51	266	27.34	8.6	2.20	GKA57	4P	1.6	11629	877	76	1.10		
58	234	24.05	8.3	2.50	GKAF57		1.8	10382	783	76	1.25	GK127R77	4P
62	221	22.71	8.2	2.60			2.0	9255	698	77	1.40	GKF127R77	
72	188	19.34	7.9	2.90			2.4	8022	605	77	1.60	GKA127R77	
					GK47		2.6	7266	548	78	1.80	GKAF127R77	
					GKF47	3.0	6272	473	78	2.05			
35	385	39.61	5.6	1.00	GKA47	4P	3.5	5437	410	78	2.35		
40	344	35.39	6.0	1.10	GKAF47		2.3	8142	614	62	1.00		
45	304	31.30	6.0	1.25			2.7	6922	522	62	1.15		
48	285	29.32	6.0	1.35		3.1	6113	461	62	1.30	GK107R77	4P	
54	252	25.91	5.9	1.50		3.5	5410	408	62	1.45	GKF107R77		
64	212	21.81	5.7	1.80	GK47	3.9	4827	364	62	1.65	GKA107R77		
72	190	19.58	5.7	2.00	GKF47	4.5	4217	318	62	1.90	GKAF107R77		
83	164	16.86	5.5	2.20	GKA47	5.0	3792	286	62	2.10			
88	154	15.86	5.4	2.40	GKAF47	5.7	3328	251	62	2.40			
103	133	13.65	5.3	2.60		3.7	5065	382	38	0.85			
115	118	12.19	5.2	2.80		4.2	4535	342	38	0.95	GK97R57	4P	
119	114	11.77	5.1	2.30		4.7	4044	305	38	1.05	GKF97R57		
60	227	23.36	2.7	0.80		5.5	3421	258	38	1.25	GKA97R57		
69	196	20.19	2.8	0.90		6.2	3076	232	38	1.40	GKAF97R57		
82	167	17.15	2.8	1.05		7.2	2639	199	38	1.60			
91	149	15.31	2.8	1.10	GK37		4.9	4033	143.47	62	1.85	GK107	8P
107	127	13.08	2.8	1.25	GKF37	5.8	3414	121.46	62	2.20	GKF107		
115	118	12.14	2.8	1.30	GKA37	6.3	3160	112.41	62	2.40	GKA107		
133	102	10.49	2.7	1.50	GKAF37		7.0	2832	100.75	62	2.70	GKAF107	
157	87	8.91	2.7	1.75		6.1	3253	153.21	38	1.25	GK97	6P	
176	77	7.96	2.6	1.90		6.7	2979	140.28	38	1.35	GKF97		
206	66	6.80	2.6	2.20		7.6	2631	123.93	38	1.55	GKA97		
220	62	6.37	2.5	2.20		8.9	2232	105.13	38	1.85	GKAF97		
261	52	5.36	2.5	2.60		8.1	2457	176.05	38	1.65	GK97		
2.2kW							2.2kW						
0.37	51183	3860	158	0.85	GK187R97	4P	9.3	2138	153.21	38	1.90	GKF97	4P
0.57	32990	2488	171	1.35	GKA187R97		10	1958	140.28	38	2.10	GKA97	
0.44	42789	3227	171	1.00			12	1730	123.93	38	2.30	GKAF97	
0.52	36292	2737	171	1.20			14	1467	105.13	38	2.80	GK97	4P
0.63	29861	2252	171	1.50	GK187R97	15	1351	96.80	38	3.00	GKF97		
0.71	26891	2028	171	1.65	GKA187R97						GKA97		
0.78	24345	1836	171	1.80							GKAF97		
0.88	21587	1628	171	2.10							GK87		
1.08	17583	1326	171	2.30			9.7	2056	147.32	27	1.25	GKF87	4P
0.53	35921	2709	135	0.85	GK167R97	4P	11	1771	126.91	27	1.45	GKA87	
0.64	29821	2249	135	1.05	GKA167R97		12	1617	115.82	27	1.55	GKAF87	

选型参数表
(恒功率)

Selection Table
(Constant Power)

n_a [r/min]	Ma [Nm]	i	F_{ra} [kN]	f_B	机型号 Type size	极数 Pole	n_a [r/min]	Ma [Nm]	i	F_{ra} [kN]	f_B	机型号 Type size	极数 Pole
2.2kW							2.2kW						
14	1434	102.71	27	1.75			85	235	16.86	4.9	1.50		
17	1205	86.34	27	2.10	GK87		90	221	15.86	4.9	1.60	GK47	
18	1107	79.34	27	2.30	GKF87	4P	105	191	13.65	4.8	1.75	GKF47	4P
20	983	70.46	27	2.60	GKA87		117	170	12.19	4.7	1.95	GKA47	
23	879	63.00	27	2.90	GKAF87		121	164	11.77	4.6	1.60	GKAF47	
25	791	56.64	27	3.20			135	148	10.57	4.6	1.80		
13	1588	113.75	14	0.90				157	127	9.10	4.5	2.10	
15	1357	97.21	15	1.05	GK77	4P	109	183	13.08	2.3	0.85		4P
16	1244	89.12	16	1.15	GKF77		136	146	10.49	2.3	1.00	GK37	
18	1091	78.20	17	1.35	GKA77		160	124	8.91	2.3	1.20	GKF37	
19	1034	74.11	17	1.40	GKAF77		180	111	7.96	2.3	1.30	GKA37	
22	905	64.86	17	1.60			210	95	6.80	2.3	1.50	GKAF37	
24	816	58.44	18	1.80			224	89	6.37	2.3	1.55		
28	715	51.26	18	2.00			267	75	5.36	2.2	1.75		
32	631	45.24	18	2.30	GK77	4P	3.0kW						
36	560	40.10	19	2.60	GKF77		0.52	49489	2737	160	0.90		4P
41	492	35.25	19	3.00	GKA77		0.57	44987	2488	170	0.95		
46	432	30.93	19	3.40	GKAF77		0.63	40720	2252	171	1.05		
49	409	29.31	19	3.60			0.71	36669	2028	171	1.20	GK187R97	
56	358	25.66	19	4.10		0.78	33198	1836	171	1.30	GKA187R97		
24	847	60.66	9.0	0.90			0.88	29437	1628	171	1.50		
25	799	57.28	10	0.95	GK67	4P	1.1	23976	1326	171	1.70		
29	681	48.77	11	1.15	GKF67		1.1	22548	1247	171	1.95		
32	619	44.32	11	1.25	GKA67		1.3	19402	1073	171	2.30		
37	536	38.39	11	1.40	GKAF67		0.84	30612	1693	135	1.00		
40	497	35.61	12	1.55			1.0	25025	1384	135	1.20		
47	422	30.21	12	1.80			1.1	23036	1274	135	1.35	GK167R97	
52	381	27.27	12	2.00			1.3	19781	1094	135	1.55	GKA167R97	
60	335	23.99	12	2.20			1.5	16798	929	135	1.85		
63	316	22.66	12	2.30			1.7	15152	838	135	2.10		
74	269	19.29	12	2.60			1.9	13453	744	135	2.30		
82	245	17.53	12	2.80	GK67	4P	1.2	22349	1236	104	0.80		
94	212	15.19	12	3.10	GKF67		1.3	19980	1105	105	0.90	GK157R97	
108	185	13.22	12	3.40	GKA67		1.5	17358	960	107	1.05	GKF157R97	
115	174	12.48	12	2.80	GKAF67		1.6	15731	870	108	1.15	GKA157R97	
135	148	10.63	12	3.20			1.9	13742	760	108	1.30	GKAF157R97	
148	135	9.66	12	3.30			2.5	10306	570	109	1.75		
171	117	8.37	12	3.50			2.8	9222	510	110	1.95		
196	102	7.28	12	3.90			2.6	9782	541	77	1.30		
32	620	44.43	4.8	0.90	GK57	4P	3.0	8625	477	77	1.50	GK127R87	
37	537	38.49	7.5	1.05	GKF57		3.4	7648	423	77	1.70	GKF127R87	
40	498	35.70	7.8	1.15	GKA57		3.9	6672	369	78	1.95	GKA127R87	
47	423	30.28	7.8	1.35	GKAF57		4.3	6021	333	78	2.15	GKAF127R87	
52	382	27.34	7.8	1.45			4.9	5226	289	78	2.45		
59	336	24.05	7.6	1.65			1.8	14158	783	73	0.90		
63	317	22.71	7.6	1.75			2.0	12621	698	75	1.00	GK127R77	
74	270	19.34	7.4	2.00	GK57	4P	2.4	10939	605	76	1.20	GKF127R77	
81	245	17.57	7.2	2.10	GKF57		2.6	9909	548	77	1.30	GKA127R77	
94	212	15.22	7.1	2.40	GKA57		3.0	8625	477	77	1.50	GKAF127R77	
108	185	13.25	6.9	2.60	GKAF57		3.5	7413	410	77	1.75		
120	166	11.92	6.5	2.30			3.1	8336	461	62	0.95		
127	157	11.26	6.5	2.50			3.5	7377	408	62	1.05	GK107R77	
149	134	9.59	6.5	2.90			3.9	6582	364	62	1.20	GKF107R77	
164	122	8.71	6.5	3.20			4.5	5750	318	62	1.40	GKA107R77	
					GK47	4P	5.0	5171	286	62	1.55	GKAF107R77	
55	362	25.91	5.0	1.05	GKF47		5.7	4538	251	62	1.75		
66	304	21.81	5.0	1.25	GKA47		6.4	4014	222	62	2.00		
73	273	19.58	5.0	1.35	GKAF47								

选型参数表
(恒功率)

Selection Table
(Constant Power)

n_a [r/min]	Ma [Nm]	i	F_{ra} [kN]	f_B	机型号 Type size	极数 Pole	n_a [r/min]	Ma [Nm]	i	F_{ra} [kN]	f_B	机型号 Type size	极数 Pole																																																																																																																																																																																																																																																																																																																																																																																																																																																																																																																																												
3.0kW							3.0kW																																																																																																																																																																																																																																																																																																																																																																																																																																																																																																																																																		
7.3	3544	196	62	2.25	GK107R77	4P	32	861	45.24	18	1.70	GK77 GKF77 GKA77 GKAF77	4P																																																																																																																																																																																																																																																																																																																																																																																																																																																																																																																																												
8.2	3146	174	62	2.55	GKF107R77		9.3	2785	154	62	2.85			GKA107R77	10	2531	140	62	3.15	GKAF107R77	5.5	4665	258	38	0.90	GK97R57	4P	41	671	35.25	18	2.50	GKAF77	4P	6.2	4195	232	38	1.00	GKF97R57	7.2	3598	199	38	1.20	GKA97R57	4.9	5500	143.47	62	1.40	GKAF97R57	5.8	4656	121.46	62	1.65	GK107	8P	32	844	44.32	9.0	0.90	GK67 GKF67 GKA67 GKAF67	4P	6.3	4309	112.41	62	1.80	GKF107	7.0	3862	100.75	62	2.00	GKA107	7.8	3487	90.96	62	2.20	GKAF107	6.7	4068	143.47	62	1.85	GK107	6P	37	731	38.39	10	1.00	GKAF67	4P	7.9	3444	121.46	62	2.20	GKF107	8.5	3187	112.41	62	2.30	GKA107	9.5	2856	100.75	62	2.60	GKAF107	10	2731	143.47	62	2.70	GK107	4P	40	678	35.61	11	1.15	GK67 GKF67 GKA67 GKAF67	4P	12	2312	121.46	62	3.20	GKF107	7.7	3514	123.93	38	1.15	GKA107	7.7	3514	123.93	38	1.15	GKAF107	9.1	2981	105.13	38	1.35	GK97	6P	47	575	30.21	11	1.35	GK67 GKF67 GKA67 GKAF67	4P	9.9	2744	96.80	38	1.45	GKF97	11	2453	86.52	38	1.65	GKA97	11	2453	86.52	38	1.65	GKAF97	8.1	3351	176.05	38	1.20	GK97	4P	52	519	27.27	11	1.45	GK57 GKF57 GKA57 GKAF57	4P	9.3	2916	153.21	38	1.35	GKF97	10	2670	140.28	38	1.50	GKA97	12	2359	123.93	38	1.70	GKAF97	14	2001	105.13	38	2.00	GK97	4P	59	458	24.05	6.8	1.20	GK57 GKF57 GKA57 GKAF57	4P	15	1842	96.80	38	2.20	GKF97	17	1647	86.52	38	2.40	GKA97	18	1482	77.89	38	2.70	GKAF97	20	1343	70.54	38	3.00	GK97	4P	63	431	22.66	12	1.70	GK57 GKF57 GKA57 GKAF57	4P	23	1191	62.55	38	3.40	GKF97	25	1076	56.55	38	3.70	GKA97	9.7	2804	147.32	26	0.90	GKAF97	9.7	2804	147.32	26	0.90	GK87	4P	74	368	19.34	6.7	1.45	GK57 GKF57 GKA57 GKAF57	4P	11	2416	126.91	26	1.05	GKF87	12	2204	115.82	26	1.15	GKA87	14	1955	102.71	27	1.30	GKAF87	17	1643	86.34	27	1.55	GK87	4P	73	373	19.58	4.2	1.00	GK47 GKF47 GKA47 GKAF47	4P	18	1510	79.34	27	1.65	GKF87	20	1341	70.46	27	1.85	GKA87	23	1199	63.00	27	2.10	GKAF87	25	1078	56.64	27	2.30	GK87	4P	85	321	16.86	4.3	1.10	GK47 GKF47 GKA47 GKAF47	4P	29	936	49.16	27	2.70	GKF87	32	838	44.02	27	2.90	GKA87	39	695	36.52	27	3.30	GKAF87	16	1696	89.12	12	0.85	GK87	4P	90	302	15.86	4.3	1.15	GK47 GKF47 GKA47 GKAF47	4P	18	1488	78.20	14	0.95	GKF87	19	1411	74.11	15	1.00	GKA87	22	1234	64.86	16	1.15	GKAF87	24	1112	58.44	17	1.30	GK87	4P	105	260	13.65	4.3	1.30	GK47 GKF47 GKA47 GKAF47	4P	28	976	51.26	17	1.50	GKF87	160	170	8.91	1.9	0.90	GKA87	180	152	7.96	1.9	0.95	GKAF87	210	129	6.80	2.0	1.10	GK47	4P	117	232	12.19	4.3	1.40	GK37 GKF37 GKA37 GKAF37	4P	224	121	6.37	2.0	1.10	GKF47	246	111	5.81	3.8	1.95	GKA47	267	102	5.36	2.0	1.30	GKAF47																																																																					
9.3	2785	154	62	2.85	GKA107R77		10	2531	140	62	3.15			GKAF107R77	5.5	4665	258	38	0.90	GK97R57	4P	41	671	35.25	18	2.50		GKAF77	4P	6.2	4195	232			38	1.00	GKF97R57	7.2	3598	199	38	1.20	GKA97R57	4.9	5500	143.47	62	1.40	GKAF97R57	5.8	4656	121.46	62	1.65	GK107	8P	32	844		44.32	9.0	0.90	GK67 GKF67 GKA67 GKAF67	4P			6.3	4309	112.41	62	1.80	GKF107	7.0	3862	100.75	62	2.00	GKA107	7.8	3487	90.96	62	2.20	GKAF107	6.7	4068	143.47	62	1.85	GK107		6P	37	731	38.39	10			1.00	GKAF67	4P	7.9	3444	121.46	62	2.20	GKF107	8.5	3187	112.41	62	2.30	GKA107	9.5	2856	100.75	62	2.60	GKAF107	10	2731	143.47		62	2.70	GK107	4P	40			678	35.61	11	1.15	GK67 GKF67 GKA67 GKAF67	4P	12	2312	121.46	62	3.20	GKF107	7.7	3514	123.93	38	1.15	GKA107	7.7	3514	123.93	38	1.15	GKAF107		9.1	2981	105.13	38	1.35			GK97	6P	47	575	30.21	11	1.35	GK67 GKF67 GKA67 GKAF67	4P	9.9	2744	96.80	38	1.45	GKF97	11	2453	86.52	38	1.65	GKA97	11	2453	86.52		38	1.65	GKAF97	8.1	3351			176.05	38	1.20	GK97	4P	52	519	27.27	11	1.45	GK57 GKF57 GKA57 GKAF57	4P	9.3	2916	153.21	38	1.35	GKF97	10	2670	140.28	38	1.50	GKA97		12	2359	123.93	38	1.70			GKAF97	14	2001	105.13	38	2.00	GK97	4P	59	458	24.05	6.8	1.20	GK57 GKF57 GKA57 GKAF57	4P	15	1842	96.80	38	2.20	GKF97	17	1647	86.52		38	2.40	GKA97	18	1482			77.89	38	2.70	GKAF97	20	1343	70.54	38	3.00	GK97	4P	63	431	22.66	12	1.70	GK57 GKF57 GKA57 GKAF57	4P	23	1191	62.55	38	3.40	GKF97		25	1076	56.55	38	3.70			GKA97	9.7	2804	147.32	26	0.90	GKAF97	9.7	2804	147.32	26	0.90	GK87	4P	74	368	19.34	6.7	1.45	GK57 GKF57 GKA57 GKAF57	4P	11	2416	126.91		26	1.05	GKF87	12	2204			115.82	26	1.15	GKA87	14	1955	102.71	27	1.30	GKAF87	17	1643	86.34	27	1.55	GK87	4P	73	373	19.58	4.2	1.00	GK47 GKF47 GKA47 GKAF47	4P		18	1510	79.34	27	1.65			GKF87	20	1341	70.46	27	1.85	GKA87	23	1199	63.00	27	2.10	GKAF87	25	1078	56.64	27	2.30	GK87	4P	85	321	16.86	4.3		1.10	GK47 GKF47 GKA47 GKAF47	4P	29	936			49.16	27	2.70	GKF87	32	838	44.02	27	2.90	GKA87	39	695	36.52	27	3.30	GKAF87	16	1696	89.12	12	0.85	GK87	4P	90		302	15.86	4.3	1.15	GK47 GKF47 GKA47 GKAF47			4P	18	1488	78.20	14	0.95	GKF87	19	1411	74.11	15	1.00	GKA87	22	1234	64.86	16	1.15	GKAF87	24	1112	58.44	17	1.30		GK87	4P	105	260	13.65			4.3	1.30	GK47 GKF47 GKA47 GKAF47	4P	28	976	51.26	17	1.50	GKF87	160	170	8.91	1.9	0.90	GKA87	180	152	7.96	1.9	0.95	GKAF87	210	129	6.80	2.0	1.10	GK47	4P	117	232	12.19	4.3	1.40	GK37 GKF37 GKA37 GKAF37	4P	224	121	6.37	2.0	1.10	GKF47	246	111	5.81	3.8	1.95	GKA47	267	102	5.36	2.0	1.30	GKAF47																																	
10	2531	140	62	3.15	GKAF107R77		5.5	4665	258	38	0.90			GK97R57	4P	41	671	35.25	18	2.50		GKAF77	4P	6.2	4195	232				38	1.00	GKF97R57			7.2	3598	199	38	1.20	GKA97R57	4.9	5500	143.47	62	1.40	GKAF97R57	5.8	4656	121.46	62	1.65	GK107	8P	32	844		44.32	9.0		0.90	GK67 GKF67 GKA67 GKAF67	4P					6.3	4309	112.41	62	1.80	GKF107	7.0	3862	100.75	62	2.00	GKA107	7.8	3487	90.96	62	2.20	GKAF107	6.7	4068	143.47	62	1.85	GK107			6P	37	731	38.39			10			1.00	GKAF67	4P	7.9	3444	121.46	62	2.20	GKF107	8.5	3187	112.41	62	2.30	GKA107	9.5	2856	100.75	62	2.60	GKAF107		10	2731	143.47		62			2.70	GK107	4P	40			678	35.61	11	1.15	GK67 GKF67 GKA67 GKAF67	4P	12	2312	121.46	62	3.20	GKF107	7.7	3514	123.93	38	1.15	GKA107		7.7	3514	123.93	38	1.15			GKAF107		9.1	2981	105.13	38	1.35			GK97	6P	47	575	30.21	11	1.35	GK67 GKF67 GKA67 GKAF67	4P	9.9	2744	96.80	38	1.45	GKF97		11	2453	86.52	38	1.65			GKA97	11	2453	86.52		38	1.65	GKAF97	8.1	3351			176.05	38	1.20	GK97	4P	52	519	27.27	11	1.45	GK57 GKF57 GKA57 GKAF57	4P		9.3	2916	153.21	38	1.35			GKF97	10	2670	140.28	38	1.50	GKA97		12	2359	123.93	38	1.70			GKAF97	14	2001	105.13	38	2.00	GK97	4P	59		458	24.05	6.8	1.20	GK57 GKF57 GKA57 GKAF57			4P	15	1842	96.80	38	2.20	GKF97	17	1647	86.52		38	2.40	GKA97	18	1482			77.89	38	2.70	GKAF97	20	1343		70.54	38	3.00	GK97	4P			63	431	22.66	12	1.70	GK57 GKF57 GKA57 GKAF57	4P	23	1191	62.55	38	3.40	GKF97		25	1076	56.55	38	3.70			GKA97	9.7	2804		147.32	26	0.90	GKAF97	9.7			2804	147.32	26	0.90	GK87	4P	74	368	19.34	6.7	1.45	GK57 GKF57 GKA57 GKAF57	4P	11	2416	126.91		26	1.05	GKF87	12	2204				115.82	26	1.15	GKA87	14			1955	102.71	27	1.30	GKAF87	17	1643	86.34	27	1.55	GK87	4P	73	373	19.58	4.2	1.00	GK47 GKF47 GKA47 GKAF47	4P		18	1510	79.34	27		1.65			GKF87	20			1341	70.46	27	1.85	GKA87	23	1199	63.00	27	2.10	GKAF87	25	1078	56.64	27	2.30	GK87	4P	85	321	16.86	4.3		1.10		GK47 GKF47 GKA47 GKAF47	4P	29	936					49.16	27	2.70	GKF87	32	838	44.02	27	2.90	GKA87	39	695	36.52	27	3.30	GKAF87	16	1696	89.12	12	0.85	GK87	4P		90		302	15.86	4.3			1.15	GK47 GKF47 GKA47 GKAF47			4P	18	1488	78.20	14	0.95	GKF87	19	1411	74.11	15	1.00	GKA87	22	1234	64.86	16	1.15	GKAF87	24	1112	58.44	17	1.30		GK87	4P	105	260	13.65			4.3	1.30	GK47 GKF47 GKA47 GKAF47	4P	28	976	51.26	17	1.50	GKF87	160	170	8.91	1.9	0.90	GKA87	180	152	7.96	1.9	0.95	GKAF87	210	129	6.80	2.0	1.10	GK47	4P	117	232	12.19	4.3	1.40	GK37 GKF37 GKA37 GKAF37	4P	224	121	6.37	2.0	1.10	GKF47	246	111	5.81	3.8	1.95	GKA47	267	102	5.36
5.5	4665	258	38	0.90	GK97R57	4P	41	671	35.25	18	2.50	GKAF77	4P																																																																																																																																																																																																																																																																																																																																																																																																																																																																																																																																												
6.2	4195	232	38	1.00	GKF97R57		7.2	3598	199	38	1.20			GKA97R57		4.9	5500	143.47	62	1.40				GKAF97R57	5.8	4656	121.46			62	1.65	GK107	8P	32	844	44.32	9.0	0.90	GK67 GKF67 GKA67 GKAF67	4P	6.3	4309	112.41	62	1.80	GKF107	7.0	3862	100.75	62	2.00	GKA107		7.8	3487		90.96	62	2.20	GKAF107					6.7	4068	143.47	62	1.85	GK107	6P	37	731	38.39	10	1.00	GKAF67	4P	7.9	3444	121.46	62	2.20	GKF107	8.5	3187	112.41	62	2.30	GKA107	9.5			2856	100.75	62	2.60	GKAF107	10			2731			143.47	62	2.70	GK107	4P	40	678	35.61	11	1.15	GK67 GKF67 GKA67 GKAF67	4P	12	2312	121.46	62	3.20	GKF107	7.7	3514	123.93	38		1.15	GKA107	7.7	3514	123.93		38			1.15	GKAF107	9.1	2981			105.13	38	1.35	GK97	6P	47	575	30.21	11	1.35	GK67 GKF67 GKA67 GKAF67	4P	9.9	2744	96.80	38	1.45	GKF97	11	2453	86.52		38	1.65	GKA97	11	2453			86.52		38	1.65	GKAF97	8.1	3351			176.05	38	1.20	GK97	4P	52	519	27.27	11	1.45	GK57 GKF57 GKA57 GKAF57	4P	9.3	2916	153.21	38	1.35	GKF97		10	2670	140.28	38	1.50			GKA97	12	2359	123.93		38	1.70	GKAF97	14	2001			105.13	38	2.00	GK97	4P	59	458	24.05	6.8	1.20	GK57 GKF57 GKA57 GKAF57	4P	15	1842	96.80		38	2.20	GKF97	17	1647			86.52	38	2.40	GKA97	18	1482	77.89		38	2.70	GKAF97	20	1343	70.54		38	3.00		GK97	4P	63	431	22.66	12	1.70	GK57 GKF57 GKA57 GKAF57	4P		23	1191	62.55	38	3.40			GKF97	25	1076	56.55	38	3.70	GKA97	9.7	2804	147.32	26		0.90	GKAF97	9.7	2804	147.32	26	0.90			GK87	4P	74	368	19.34	6.7		1.45	GK57 GKF57 GKA57 GKAF57	4P	11	2416			126.91	26	1.05	GKF87	12	2204	115.82	26	1.15	GKA87	14	1955	102.71	27	1.30	GKAF87		17	1643	86.34	27	1.55			GK87	4P	73		373	19.58	4.2	1.00	GK47 GKF47 GKA47 GKAF47			4P	18	1510	79.34	27	1.65	GKF87	20	1341	70.46	27	1.85	GKA87	23	1199	63.00	27	2.10	GKAF87		25	1078	56.64	27	2.30				GK87	4P	85	321	16.86	4.3			1.10	GK47 GKF47 GKA47 GKAF47	4P	29	936	49.16	27	2.70	GKF87	32	838	44.02	27	2.90	GKA87	39	695	36.52	27	3.30	GKAF87		16	1696	89.12	12		0.85	GK87			4P	90		302	15.86		4.3	1.15	GK47 GKF47 GKA47 GKAF47	4P	18	1488	78.20	14	0.95	GKF87	19	1411	74.11	15	1.00	GKA87	22	1234	64.86	16	1.15	GKAF87		24	1112		58.44	17	1.30	GK87	4P	105					260	13.65	4.3	1.30	GK47 GKF47 GKA47 GKAF47	4P	28	976	51.26	17	1.50	GKF87	160	170	8.91	1.9	0.90	GKA87	180	152	7.96	1.9	0.95		GKAF87		210	129	6.80			2.0	1.10			GK47	4P	117	232	12.19	4.3	1.40	GK37 GKF37 GKA37 GKAF37	4P	224	121	6.37	2.0	1.10	GKF47	246	111	5.81	3.8	1.95	GKA47	267	102	5.36		2.0	1.30	GKAF47																			
7.2	3598	199	38	1.20	GKA97R57		4.9	5500	143.47	62	1.40			GKAF97R57		5.8	4656	121.46	62	1.65	GK107			8P	32	844	44.32	9.0	0.90	GK67 GKF67 GKA67 GKAF67	4P	6.3		4309	112.41	62	1.80	GKF107			7.0	3862	100.75	62	2.00	GKA107	7.8	3487	90.96	62	2.20	GKAF107		6.7	4068	143.47	62	1.85	GK107	6P			37	731	38.39	10	1.00	GKAF67	4P	7.9		3444	121.46	62	2.20	GKF107			8.5	3187	112.41	62	2.30	GKA107	9.5	2856	100.75	62	2.60	GKAF107	10	2731		143.47	62	2.70	GK107	4P	40	678	35.61	11			1.15	GK67 GKF67 GKA67 GKAF67	4P	12		2312	121.46	62	3.20	GKF107			7.7	3514	123.93	38	1.15	GKA107	7.7	3514	123.93	38	1.15	GKAF107	9.1	2981	105.13	38		1.35	GK97	6P	47	575	30.21	11			1.35	GK67 GKF67 GKA67 GKAF67	4P	9.9		2744	96.80	38	1.45	GKF97			11	2453	86.52	38	1.65	GKA97	11	2453	86.52	38	1.65	GKAF97	8.1	3351	176.05	38	1.20	GK97		4P	52	519	27.27	11			1.45	GK57 GKF57 GKA57 GKAF57	4P	9.3		2916	153.21	38	1.35	GKF97			10	2670	140.28	38	1.50	GKA97	12	2359	123.93	38	1.70	GKAF97	14	2001	105.13	38	2.00	GK97		4P	59	458	24.05	6.8			1.20	GK57 GKF57 GKA57 GKAF57	4P	15		1842	96.80	38	2.20	GKF97			17	1647	86.52	38	2.40	GKA97	18	1482	77.89	38	2.70	GKAF97	20	1343	70.54	38	3.00	GK97		4P	63	431	22.66	12	1.70		GK57 GKF57 GKA57 GKAF57	4P		23		1191	62.55	38	3.40	GKF97			25	1076	56.55	38	3.70	GKA97	9.7	2804	147.32	26	0.90	GKAF97	9.7	2804	147.32	26	0.90	GK87	4P		74	368	19.34	6.7	1.45	GK57 GKF57 GKA57 GKAF57	4P			11		2416	126.91	26	1.05	GKF87	12			2204	115.82	26	1.15	GKA87	14	1955	102.71	27	1.30	GKAF87	17	1643	86.34	27	1.55	GK87	4P	73	373		19.58	4.2	1.00	GK47 GKF47 GKA47 GKAF47	4P			18		1510	79.34	27	1.65	GKF87	20		1341	70.46		27	1.85	GKA87	23	1199	63.00	27	2.10	GKAF87	25	1078	56.64	27	2.30	GK87	4P	85	321		16.86	4.3	1.10	GK47 GKF47 GKA47 GKAF47	4P			29	936		49.16	27	2.70	GKF87	32	838	44.02			27	2.90	GKA87	39	695	36.52	27	3.30	GKAF87	16	1696	89.12	12	0.85	GK87	4P	90	302		15.86	4.3	1.15	GK47 GKF47 GKA47 GKAF47	4P	18	1488				78.20	14	0.95	GKF87	19	1411	74.11			15	1.00	GKA87	22	1234	64.86	16	1.15	GKAF87	24	1112	58.44	17	1.30	GK87	4P	105	260		13.65	4.3	1.30	GK47 GKF47 GKA47 GKAF47	4P	28	976		51.26		17	1.50		GKF87	160	170	8.91			1.9	0.90	GKA87	180	152	7.96	1.9	0.95	GKAF87	210	129	6.80	2.0	1.10	GK47	4P	117	232	12.19		4.3	1.40	GK37 GKF37 GKA37 GKAF37	4P	224	121	6.37			2.0		1.10	GKF47	246	111	5.81			3.8	1.95	GKA47	267	102	5.36	2.0	1.30	GKAF47																													
4.9	5500	143.47	62	1.40	GKAF97R57		5.8	4656	121.46	62	1.65			GK107	8P	32	844	44.32	9.0	0.90	GK67 GKF67 GKA67 GKAF67	4P	6.3		4309	112.41	62	1.80	GKF107			7.0		3862	100.75	62	2.00	GKA107			7.8	3487	90.96	62	2.20	GKAF107	6.7	4068	143.47	62	1.85	GK107	6P	37	731	38.39	10	1.00	GKAF67		4P	7.9	3444	121.46	62	2.20	GKF107			8.5		3187	112.41	62	2.30	GKA107			9.5	2856	100.75	62	2.60	GKAF107	10	2731	143.47	62	2.70	GK107	4P	40	678	35.61	11	1.15	GK67 GKF67 GKA67 GKAF67		4P	12	2312	121.46	62	3.20	GKF107			7.7		3514	123.93	38	1.15	GKA107			7.7	3514	123.93	38	1.15	GKAF107	9.1	2981	105.13	38	1.35	GK97	6P	47	575	30.21	11	1.35	GK67 GKF67 GKA67 GKAF67		4P	9.9	2744	96.80	38	1.45	GKF97			11		2453	86.52	38	1.65	GKA97			11	2453	86.52	38	1.65	GKAF97	8.1	3351	176.05	38	1.20	GK97	4P	52	519	27.27	11	1.45	GK57 GKF57 GKA57 GKAF57		4P	9.3	2916	153.21	38	1.35	GKF97			10		2670	140.28	38	1.50	GKA97			12	2359	123.93	38	1.70	GKAF97	14	2001	105.13	38	2.00	GK97	4P	59	458	24.05	6.8	1.20	GK57 GKF57 GKA57 GKAF57		4P	15	1842	96.80	38	2.20	GKF97			17		1647	86.52	38	2.40	GKA97			18	1482	77.89	38	2.70	GKAF97	20	1343	70.54	38	3.00	GK97	4P	63	431	22.66	12	1.70	GK57 GKF57 GKA57 GKAF57		4P	23	1191	62.55	38	3.40			GKF97	25		1076	56.55	38	3.70	GKA97			9.7	2804	147.32	26	0.90	GKAF97	9.7	2804	147.32	26	0.90	GK87	4P	74	368	19.34	6.7	1.45		GK57 GKF57 GKA57 GKAF57	4P	11	2416	126.91	26			1.05	GKF87	12		2204	115.82	26	1.15	GKA87	14			1955	102.71	27	1.30	GKAF87	17	1643	86.34	27	1.55	GK87	4P	73	373	19.58	4.2	1.00		GK47 GKF47 GKA47 GKAF47	4P	18	1510	79.34	27			1.65	GKF87	20		1341	70.46	27	1.85	GKA87	23		1199	63.00		27	2.10	GKAF87	25	1078	56.64	27	2.30	GK87	4P	85	321	16.86	4.3	1.10		GK47 GKF47 GKA47 GKAF47	4P	29	936	49.16	27			2.70	GKF87	32	838		44.02	27	2.90	GKA87	39	695	36.52			27	3.30	GKAF87	16	1696	89.12	12	0.85	GK87	4P	90	302	15.86	4.3	1.15		GK47 GKF47 GKA47 GKAF47	4P	18	1488	78.20	14			0.95	GKF87	19	1411		74.11	15	1.00	GKA87	22	1234	64.86			16	1.15	GKAF87	24	1112	58.44	17	1.30	GK87	4P	105	260	13.65	4.3	1.30		GK47 GKF47 GKA47 GKAF47	4P	28	976	51.26	17			1.50	GKF87		160	170	8.91	1.9	0.90	GKA87	180	152	7.96			1.9	0.95	GKAF87	210	129	6.80	2.0	1.10	GK47	4P	117	232	12.19	4.3	1.40		GK37 GKF37 GKA37 GKAF37	4P	224	121	6.37	2.0			1.10	GKF47	246	111	5.81	3.8		1.95	GKA47	267	102	5.36			2.0	1.30	GKAF47																																			
5.8	4656	121.46	62	1.65	GK107	8P	32	844	44.32	9.0	0.90	GK67 GKF67 GKA67 GKAF67	4P																																																																																																																																																																																																																																																																																																																																																																																																																																																																																																																																												
6.3	4309	112.41	62	1.80	GKF107		7.0	3862	100.75	62	2.00			GKA107		7.8	3487	90.96	62	2.20			GKAF107		6.7	4068	143.47	62	1.85			GK107	6P	37	731	38.39	10	1.00	GKAF67	4P	7.9	3444	121.46	62	2.20	GKF107	8.5	3187	112.41	62	2.30	GKA107		9.5	2856	100.75	62	2.60				GKAF107	10	2731	143.47	62	2.70			GK107	4P	40	678	35.61	11	1.15	GK67 GKF67 GKA67 GKAF67	4P	12	2312	121.46	62	3.20	GKF107	7.7	3514	123.93	38	1.15	GKA107		7.7	3514	123.93	38	1.15				GKAF107	9.1	2981	105.13	38	1.35			GK97	6P	47	575	30.21	11	1.35	GK67 GKF67 GKA67 GKAF67	4P	9.9	2744	96.80	38	1.45	GKF97	11	2453	86.52	38	1.65	GKA97		11	2453	86.52	38	1.65				GKAF97	8.1	3351	176.05	38	1.20			GK97	4P	52	519	27.27	11	1.45	GK57 GKF57 GKA57 GKAF57	4P	9.3	2916	153.21	38	1.35	GKF97	10	2670	140.28	38	1.50	GKA97		12	2359	123.93	38	1.70				GKAF97	14	2001	105.13	38	2.00			GK97	4P	59	458	24.05	6.8	1.20	GK57 GKF57 GKA57 GKAF57	4P	15	1842	96.80	38	2.20	GKF97	17	1647	86.52	38	2.40	GKA97		18	1482	77.89	38	2.70				GKAF97	20	1343	70.54	38	3.00			GK97	4P	63	431	22.66	12	1.70	GK57 GKF57 GKA57 GKAF57	4P	23	1191	62.55	38	3.40	GKF97	25	1076	56.55	38	3.70	GKA97		9.7	2804	147.32	26	0.90				GKAF97	9.7	2804	147.32	26			0.90	GK87	4P	74	368	19.34	6.7	1.45	GK57 GKF57 GKA57 GKAF57	4P	11	2416	126.91	26	1.05	GKF87	12	2204	115.82	26	1.15	GKA87		14	1955	102.71	27	1.30				GKAF87	17	1643	86.34			27	1.55	GK87	4P	73	373	19.58	4.2	1.00	GK47 GKF47 GKA47 GKAF47	4P	18	1510	79.34	27	1.65	GKF87	20	1341	70.46	27	1.85	GKA87		23	1199	63.00	27	2.10				GKAF87	25	1078	56.64			27	2.30	GK87	4P	85	321	16.86	4.3	1.10	GK47 GKF47 GKA47 GKAF47	4P	29	936	49.16	27	2.70	GKF87	32	838	44.02	27	2.90	GKA87		39	695	36.52	27	3.30				GKAF87	16	1696	89.12			12	0.85	GK87	4P	90	302	15.86	4.3	1.15	GK47 GKF47 GKA47 GKAF47	4P	18	1488	78.20	14	0.95	GKF87	19	1411	74.11	15	1.00	GKA87		22	1234	64.86	16	1.15				GKAF87	24	1112	58.44			17	1.30	GK87	4P	105	260	13.65	4.3	1.30	GK47 GKF47 GKA47 GKAF47	4P	28	976	51.26	17	1.50	GKF87	160	170	8.91	1.9	0.90	GKA87		180	152	7.96	1.9	0.95				GKAF87	210	129	6.80			2.0	1.10	GK47	4P	117	232	12.19	4.3	1.40	GK37 GKF37 GKA37 GKAF37	4P	224	121	6.37	2.0	1.10	GKF47	246	111	5.81	3.8	1.95	GKA47		267	102	5.36	2.0	1.30				GKAF47																																																									
7.0	3862	100.75	62	2.00	GKA107		7.8	3487	90.96	62	2.20			GKAF107		6.7	4068	143.47	62	1.85			GK107	6P	37	731	38.39	10	1.00	GKAF67	4P	7.9		3444	121.46	62	2.20	GKF107			8.5	3187	112.41	62	2.30	GKA107	9.5	2856	100.75	62	2.60	GKAF107		10	2731	143.47	62	2.70		GK107		4P	40	678	35.61	11	1.15	GK67 GKF67 GKA67 GKAF67	4P	12		2312	121.46	62	3.20	GKF107			7.7	3514	123.93	38	1.15	GKA107	7.7	3514	123.93	38	1.15	GKAF107		9.1	2981	105.13	38	1.35		GK97		6P	47	575	30.21	11	1.35	GK67 GKF67 GKA67 GKAF67	4P	9.9		2744	96.80	38	1.45	GKF97			11	2453	86.52	38	1.65	GKA97	11	2453	86.52	38	1.65	GKAF97		8.1	3351	176.05	38	1.20		GK97		4P	52	519	27.27	11	1.45	GK57 GKF57 GKA57 GKAF57	4P	9.3		2916	153.21	38	1.35	GKF97			10	2670	140.28	38	1.50	GKA97	12	2359	123.93	38	1.70	GKAF97		14	2001	105.13	38	2.00		GK97		4P	59	458	24.05	6.8	1.20	GK57 GKF57 GKA57 GKAF57	4P	15		1842	96.80	38	2.20	GKF97			17	1647	86.52	38	2.40	GKA97	18	1482	77.89	38	2.70	GKAF97		20	1343	70.54	38	3.00		GK97		4P	63	431	22.66	12	1.70	GK57 GKF57 GKA57 GKAF57	4P	23		1191	62.55	38	3.40	GKF97			25	1076	56.55	38	3.70	GKA97	9.7	2804	147.32	26	0.90	GKAF97		9.7	2804	147.32	26	0.90		GK87		4P	74	368	19.34	6.7	1.45	GK57 GKF57 GKA57 GKAF57	4P	11		2416	126.91	26	1.05	GKF87			12	2204	115.82	26	1.15	GKA87	14	1955	102.71	27	1.30	GKAF87		17	1643	86.34	27	1.55	GK87			4P	73	373	19.58	4.2	1.00	GK47 GKF47 GKA47 GKAF47	4P	18		1510	79.34	27	1.65	GKF87			20	1341	70.46	27	1.85	GKA87	23	1199	63.00	27	2.10	GKAF87		25	1078	56.64	27	2.30	GK87			4P	85	321	16.86	4.3	1.10	GK47 GKF47 GKA47 GKAF47	4P	29		936	49.16	27	2.70	GKF87			32	838	44.02	27	2.90	GKA87	39	695	36.52	27	3.30	GKAF87		16	1696	89.12	12	0.85	GK87			4P	90	302	15.86	4.3	1.15	GK47 GKF47 GKA47 GKAF47	4P	18		1488	78.20	14	0.95	GKF87			19	1411	74.11	15	1.00	GKA87	22	1234	64.86	16	1.15	GKAF87		24	1112	58.44	17	1.30	GK87			4P	105	260	13.65	4.3	1.30	GK47 GKF47 GKA47 GKAF47	4P	28		976	51.26	17	1.50	GKF87			160	170	8.91	1.9	0.90	GKA87	180	152	7.96	1.9	0.95	GKAF87		210	129	6.80	2.0	1.10	GK47			4P	117	232	12.19	4.3	1.40	GK37 GKF37 GKA37 GKAF37	4P	224		121	6.37	2.0	1.10	GKF47			246	111	5.81	3.8	1.95	GKA47	267	102	5.36	2.0	1.30	GKAF47																																																																			
7.8	3487	90.96	62	2.20	GKAF107		6.7	4068	143.47	62	1.85			GK107	6P	37	731	38.39	10	1.00	GKAF67	4P	7.9		3444	121.46	62	2.20	GKF107			8.5		3187	112.41	62	2.30	GKA107			9.5	2856	100.75	62	2.60	GKAF107	10	2731	143.47	62	2.70	GK107	4P	40	678	35.61	11	1.15	GK67 GKF67 GKA67 GKAF67	4P	12		2312	121.46	62	3.20	GKF107			7.7		3514	123.93	38	1.15	GKA107			7.7	3514	123.93	38	1.15	GKAF107	9.1	2981	105.13	38	1.35	GK97	6P	47	575	30.21	11	1.35	GK67 GKF67 GKA67 GKAF67	4P	9.9		2744	96.80	38	1.45	GKF97			11		2453	86.52	38	1.65	GKA97			11	2453	86.52	38	1.65	GKAF97	8.1	3351	176.05	38	1.20	GK97	4P	52	519	27.27	11	1.45	GK57 GKF57 GKA57 GKAF57	4P	9.3		2916	153.21	38	1.35	GKF97			10		2670	140.28	38	1.50	GKA97			12	2359	123.93	38	1.70	GKAF97	14	2001	105.13	38	2.00	GK97	4P	59	458	24.05	6.8	1.20	GK57 GKF57 GKA57 GKAF57	4P	15		1842	96.80	38	2.20	GKF97			17		1647	86.52	38	2.40	GKA97			18	1482	77.89	38	2.70	GKAF97	20	1343	70.54	38	3.00	GK97	4P	63	431	22.66	12	1.70	GK57 GKF57 GKA57 GKAF57	4P	23		1191	62.55	38	3.40	GKF97			25		1076	56.55	38	3.70	GKA97			9.7	2804	147.32	26	0.90	GKAF97	9.7	2804	147.32	26	0.90	GK87	4P	74	368	19.34	6.7	1.45	GK57 GKF57 GKA57 GKAF57	4P	11		2416	126.91	26	1.05	GKF87			12		2204	115.82	26	1.15	GKA87			14	1955	102.71	27	1.30	GKAF87	17	1643	86.34	27	1.55	GK87	4P	73	373	19.58	4.2	1.00	GK47 GKF47 GKA47 GKAF47	4P	18		1510	79.34	27	1.65	GKF87			20		1341	70.46	27	1.85	GKA87			23	1199	63.00	27	2.10	GKAF87	25	1078	56.64	27	2.30	GK87	4P	85	321	16.86	4.3	1.10	GK47 GKF47 GKA47 GKAF47	4P	29		936	49.16	27	2.70	GKF87			32		838	44.02	27	2.90	GKA87			39	695	36.52	27	3.30	GKAF87	16	1696	89.12	12	0.85	GK87	4P	90	302	15.86	4.3	1.15	GK47 GKF47 GKA47 GKAF47	4P	18		1488	78.20	14	0.95	GKF87			19		1411	74.11	15	1.00	GKA87			22	1234	64.86	16	1.15	GKAF87	24	1112	58.44	17	1.30	GK87	4P	105	260	13.65	4.3	1.30	GK47 GKF47 GKA47 GKAF47	4P	28		976	51.26	17	1.50	GKF87			160		170	8.91	1.9	0.90	GKA87			180	152	7.96	1.9	0.95	GKAF87	210	129	6.80	2.0	1.10	GK47	4P	117	232	12.19	4.3	1.40	GK37 GKF37 GKA37 GKAF37	4P	224		121	6.37	2.0	1.10	GKF47			246		111	5.81	3.8	1.95	GKA47			267	102	5.36	2.0	1.30	GKAF47																																																																									
6.7	4068	143.47	62	1.85	GK107	6P	37	731	38.39	10	1.00	GKAF67	4P																																																																																																																																																																																																																																																																																																																																																																																																																																																																																																																																												
7.9	3444	121.46	62	2.20	GKF107		8.5	3187	112.41	62	2.30			GKA107		9.5	2856	100.75	62	2.60			GKAF107		10	2731	143.47	62	2.70			GK107	4P	40	678	35.61	11	1.15	GK67 GKF67 GKA67 GKAF67	4P	12	2312	121.46	62	3.20	GKF107	7.7	3514	123.93	38	1.15	GKA107		7.7	3514	123.93	38	1.15			GKAF107		9.1	2981	105.13	38	1.35			GK97	6P	47	575	30.21	11	1.35	GK67 GKF67 GKA67 GKAF67	4P	9.9	2744	96.80	38	1.45	GKF97	11	2453	86.52	38	1.65	GKA97		11	2453	86.52	38	1.65			GKAF97		8.1	3351	176.05	38	1.20			GK97	4P	52	519	27.27	11	1.45	GK57 GKF57 GKA57 GKAF57	4P	9.3	2916	153.21	38	1.35	GKF97	10	2670	140.28	38	1.50	GKA97		12	2359	123.93	38	1.70			GKAF97		14	2001	105.13	38	2.00			GK97	4P	59	458	24.05	6.8	1.20	GK57 GKF57 GKA57 GKAF57	4P	15	1842	96.80	38	2.20	GKF97	17	1647	86.52	38	2.40	GKA97		18	1482	77.89	38	2.70			GKAF97		20	1343	70.54	38	3.00			GK97	4P	63	431	22.66	12	1.70	GK57 GKF57 GKA57 GKAF57	4P	23	1191	62.55	38	3.40	GKF97	25	1076	56.55	38	3.70	GKA97		9.7	2804	147.32	26	0.90			GKAF97		9.7	2804	147.32	26	0.90			GK87	4P	74	368	19.34	6.7	1.45	GK57 GKF57 GKA57 GKAF57	4P	11	2416	126.91	26	1.05	GKF87	12	2204	115.82	26	1.15	GKA87		14	1955	102.71	27	1.30			GKAF87		17	1643	86.34	27	1.55			GK87	4P	73	373	19.58	4.2	1.00	GK47 GKF47 GKA47 GKAF47	4P	18	1510	79.34	27	1.65	GKF87	20	1341	70.46	27	1.85	GKA87		23	1199	63.00	27	2.10			GKAF87		25	1078	56.64	27	2.30			GK87	4P	85	321	16.86	4.3	1.10	GK47 GKF47 GKA47 GKAF47	4P	29	936	49.16	27	2.70	GKF87	32	838	44.02	27	2.90	GKA87		39	695	36.52	27	3.30			GKAF87		16	1696	89.12	12	0.85			GK87	4P	90	302	15.86	4.3	1.15	GK47 GKF47 GKA47 GKAF47	4P	18	1488	78.20	14	0.95	GKF87	19	1411	74.11	15	1.00	GKA87		22	1234	64.86	16	1.15			GKAF87		24	1112	58.44	17	1.30			GK87	4P	105	260	13.65	4.3	1.30	GK47 GKF47 GKA47 GKAF47	4P	28	976	51.26	17	1.50	GKF87	160	170	8.91	1.9	0.90	GKA87		180	152	7.96	1.9	0.95			GKAF87		210	129	6.80	2.0	1.10			GK47	4P	117	232	12.19	4.3	1.40	GK37 GKF37 GKA37 GKAF37	4P	224	121	6.37	2.0	1.10	GKF47	246	111	5.81	3.8	1.95	GKA47		267	102	5.36	2.0	1.30			GKAF47																																																																																																
8.5	3187	112.41	62	2.30	GKA107		9.5	2856	100.75	62	2.60			GKAF107		10	2731	143.47	62	2.70			GK107	4P	40	678	35.61	11	1.15	GK67 GKF67 GKA67 GKAF67	4P	12		2312	121.46	62	3.20	GKF107			7.7	3514	123.93	38	1.15	GKA107	7.7	3514	123.93	38	1.15	GKAF107		9.1	2981	105.13	38	1.35			GK97	6P	47	575	30.21	11	1.35	GK67 GKF67 GKA67 GKAF67	4P	9.9		2744	96.80	38	1.45	GKF97			11	2453	86.52	38	1.65	GKA97	11	2453	86.52	38	1.65	GKAF97		8.1	3351	176.05	38	1.20			GK97	4P	52	519	27.27	11	1.45	GK57 GKF57 GKA57 GKAF57	4P	9.3		2916	153.21	38	1.35	GKF97			10	2670	140.28	38	1.50	GKA97	12	2359	123.93	38	1.70	GKAF97		14	2001	105.13	38	2.00			GK97	4P	59	458	24.05	6.8	1.20	GK57 GKF57 GKA57 GKAF57	4P	15		1842	96.80	38	2.20	GKF97			17	1647	86.52	38	2.40	GKA97	18	1482	77.89	38	2.70	GKAF97		20	1343	70.54	38	3.00			GK97	4P	63	431	22.66	12	1.70	GK57 GKF57 GKA57 GKAF57	4P	23		1191	62.55	38	3.40	GKF97			25	1076	56.55	38	3.70	GKA97	9.7	2804	147.32	26	0.90	GKAF97		9.7	2804	147.32	26	0.90			GK87	4P	74	368	19.34	6.7	1.45	GK57 GKF57 GKA57 GKAF57	4P	11		2416	126.91	26	1.05	GKF87			12	2204	115.82	26	1.15	GKA87	14	1955	102.71	27	1.30	GKAF87		17	1643	86.34	27	1.55			GK87	4P	73	373	19.58	4.2	1.00	GK47 GKF47 GKA47 GKAF47	4P	18		1510	79.34	27	1.65	GKF87			20	1341	70.46	27	1.85	GKA87	23	1199	63.00	27	2.10	GKAF87		25	1078	56.64	27	2.30			GK87	4P	85	321	16.86	4.3	1.10	GK47 GKF47 GKA47 GKAF47	4P	29		936	49.16	27	2.70	GKF87			32	838	44.02	27	2.90	GKA87	39	695	36.52	27	3.30	GKAF87		16	1696	89.12	12	0.85			GK87	4P	90	302	15.86	4.3	1.15	GK47 GKF47 GKA47 GKAF47	4P	18		1488	78.20	14	0.95	GKF87			19	1411	74.11	15	1.00	GKA87	22	1234	64.86	16	1.15	GKAF87		24	1112	58.44	17	1.30			GK87	4P	105	260	13.65	4.3	1.30	GK47 GKF47 GKA47 GKAF47	4P	28		976	51.26	17	1.50	GKF87			160	170	8.91	1.9	0.90	GKA87	180	152	7.96	1.9	0.95	GKAF87		210	129	6.80	2.0	1.10			GK47	4P	117	232	12.19	4.3	1.40	GK37 GKF37 GKA37 GKAF37	4P	224		121	6.37	2.0	1.10	GKF47			246	111	5.81	3.8	1.95	GKA47	267	102	5.36	2.0	1.30	GKAF47																																																																																																									
9.5	2856	100.75	62	2.60	GKAF107		10	2731	143.47	62	2.70			GK107	4P	40	678	35.61	11	1.15	GK67 GKF67 GKA67 GKAF67	4P	12		2312	121.46	62	3.20	GKF107			7.7		3514	123.93	38	1.15	GKA107			7.7	3514	123.93	38	1.15	GKAF107	9.1	2981	105.13	38	1.35	GK97	6P	47	575	30.21	11	1.35	GK67 GKF67 GKA67 GKAF67	4P	9.9		2744	96.80	38	1.45	GKF97			11		2453	86.52	38	1.65	GKA97			11	2453	86.52	38	1.65	GKAF97	8.1	3351	176.05	38	1.20	GK97	4P	52	519	27.27	11	1.45	GK57 GKF57 GKA57 GKAF57	4P	9.3		2916	153.21	38	1.35	GKF97			10		2670	140.28	38	1.50	GKA97			12	2359	123.93	38	1.70	GKAF97	14	2001	105.13	38	2.00	GK97	4P	59	458	24.05	6.8	1.20	GK57 GKF57 GKA57 GKAF57	4P	15		1842	96.80	38	2.20	GKF97			17		1647	86.52	38	2.40	GKA97			18	1482	77.89	38	2.70	GKAF97	20	1343	70.54	38	3.00	GK97	4P	63	431	22.66	12	1.70	GK57 GKF57 GKA57 GKAF57	4P	23		1191	62.55	38	3.40	GKF97			25		1076	56.55	38	3.70	GKA97			9.7	2804	147.32	26	0.90	GKAF97	9.7	2804	147.32	26	0.90	GK87	4P	74	368	19.34	6.7	1.45	GK57 GKF57 GKA57 GKAF57	4P	11		2416	126.91	26	1.05	GKF87			12		2204	115.82	26	1.15	GKA87			14	1955	102.71	27	1.30	GKAF87	17	1643	86.34	27	1.55	GK87	4P	73	373	19.58	4.2	1.00	GK47 GKF47 GKA47 GKAF47	4P	18		1510	79.34	27	1.65	GKF87			20		1341	70.46	27	1.85	GKA87			23	1199	63.00	27	2.10	GKAF87	25	1078	56.64	27	2.30	GK87	4P	85	321	16.86	4.3	1.10	GK47 GKF47 GKA47 GKAF47	4P	29		936	49.16	27	2.70	GKF87			32		838	44.02	27	2.90	GKA87			39	695	36.52	27	3.30	GKAF87	16	1696	89.12	12	0.85	GK87	4P	90	302	15.86	4.3	1.15	GK47 GKF47 GKA47 GKAF47	4P	18		1488	78.20	14	0.95	GKF87			19		1411	74.11	15	1.00	GKA87			22	1234	64.86	16	1.15	GKAF87	24	1112	58.44	17	1.30	GK87	4P	105	260	13.65	4.3	1.30	GK47 GKF47 GKA47 GKAF47	4P	28		976	51.26	17	1.50	GKF87			160		170	8.91	1.9	0.90	GKA87			180	152	7.96	1.9	0.95	GKAF87	210	129	6.80	2.0	1.10	GK47	4P	117	232	12.19	4.3	1.40	GK37 GKF37 GKA37 GKAF37	4P	224		121	6.37	2.0	1.10	GKF47			246		111	5.81	3.8	1.95	GKA47			267	102	5.36	2.0	1.30	GKAF47																																																																																																															
10	2731	143.47	62	2.70	GK107	4P	40	678	35.61	11	1.15	GK67 GKF67 GKA67 GKAF67	4P																																																																																																																																																																																																																																																																																																																																																																																																																																																																																																																																												
12	2312	121.46	62	3.20	GKF107		7.7	3514	123.93	38	1.15			GKA107		7.7	3514	123.93	38	1.15			GKAF107		9.1	2981	105.13	38	1.35			GK97	6P	47	575	30.21	11	1.35	GK67 GKF67 GKA67 GKAF67	4P	9.9	2744	96.80	38	1.45	GKF97	11	2453	86.52	38	1.65	GKA97		11	2453	86.52	38	1.65			GKAF97		8.1	3351	176.05	38	1.20			GK97	4P	52	519	27.27	11	1.45	GK57 GKF57 GKA57 GKAF57	4P	9.3	2916	153.21	38	1.35	GKF97	10	2670	140.28	38	1.50	GKA97		12	2359	123.93	38	1.70			GKAF97		14	2001	105.13	38	2.00			GK97	4P	59	458	24.05	6.8	1.20	GK57 GKF57 GKA57 GKAF57	4P	15	1842	96.80	38	2.20	GKF97	17	1647	86.52	38	2.40	GKA97		18	1482	77.89	38	2.70			GKAF97		20	1343	70.54	38	3.00			GK97	4P	63	431	22.66	12	1.70	GK57 GKF57 GKA57 GKAF57	4P	23	1191	62.55	38	3.40	GKF97	25	1076	56.55	38	3.70	GKA97		9.7	2804	147.32	26	0.90			GKAF97		9.7	2804	147.32	26	0.90			GK87	4P	74	368	19.34	6.7	1.45	GK57 GKF57 GKA57 GKAF57	4P	11	2416	126.91	26	1.05	GKF87	12	2204	115.82	26	1.15	GKA87		14	1955	102.71	27	1.30			GKAF87		17	1643	86.34	27	1.55			GK87	4P	73	373	19.58	4.2	1.00	GK47 GKF47 GKA47 GKAF47	4P	18	1510	79.34	27	1.65	GKF87	20	1341	70.46	27	1.85	GKA87		23	1199	63.00	27	2.10			GKAF87		25	1078	56.64	27	2.30			GK87	4P	85	321	16.86	4.3	1.10	GK47 GKF47 GKA47 GKAF47	4P	29	936	49.16	27	2.70	GKF87	32	838	44.02	27	2.90	GKA87		39	695	36.52	27	3.30			GKAF87		16	1696	89.12	12	0.85			GK87	4P	90	302	15.86	4.3	1.15	GK47 GKF47 GKA47 GKAF47	4P	18	1488	78.20	14	0.95	GKF87	19	1411	74.11	15	1.00	GKA87		22	1234	64.86	16	1.15			GKAF87		24	1112	58.44	17	1.30			GK87	4P	105	260	13.65	4.3	1.30	GK47 GKF47 GKA47 GKAF47	4P	28	976	51.26	17	1.50	GKF87	160	170	8.91	1.9	0.90	GKA87		180	152	7.96	1.9	0.95			GKAF87		210	129	6.80	2.0	1.10			GK47	4P	117	232	12.19	4.3	1.40	GK37 GKF37 GKA37 GKAF37	4P	224	121	6.37	2.0	1.10	GKF47	246	111	5.81	3.8	1.95	GKA47		267	102	5.36	2.0	1.30			GKAF47																																																																																																																																						
7.7	3514	123.93	38	1.15	GKA107		7.7	3514	123.93	38	1.15			GKAF107		9.1	2981	105.13	38	1.35			GK97	6P	47	575	30.21	11	1.35	GK67 GKF67 GKA67 GKAF67	4P	9.9		2744	96.80	38	1.45	GKF97			11	2453	86.52	38	1.65	GKA97	11	2453	86.52	38	1.65	GKAF97		8.1	3351	176.05	38	1.20			GK97	4P	52	519	27.27	11	1.45	GK57 GKF57 GKA57 GKAF57	4P	9.3		2916	153.21	38	1.35	GKF97			10	2670	140.28	38	1.50	GKA97	12	2359	123.93	38	1.70	GKAF97		14	2001	105.13	38	2.00			GK97	4P	59	458	24.05	6.8	1.20	GK57 GKF57 GKA57 GKAF57	4P	15		1842	96.80	38	2.20	GKF97			17	1647	86.52	38	2.40	GKA97	18	1482	77.89	38	2.70	GKAF97		20	1343	70.54	38	3.00			GK97	4P	63	431	22.66	12	1.70	GK57 GKF57 GKA57 GKAF57	4P	23		1191	62.55	38	3.40	GKF97			25	1076	56.55	38	3.70	GKA97	9.7	2804	147.32	26	0.90	GKAF97		9.7	2804	147.32	26	0.90			GK87	4P	74	368	19.34	6.7	1.45	GK57 GKF57 GKA57 GKAF57	4P	11		2416	126.91	26	1.05	GKF87			12	2204	115.82	26	1.15	GKA87	14	1955	102.71	27	1.30	GKAF87		17	1643	86.34	27	1.55			GK87	4P	73	373	19.58	4.2	1.00	GK47 GKF47 GKA47 GKAF47	4P	18		1510	79.34	27	1.65	GKF87			20	1341	70.46	27	1.85	GKA87	23	1199	63.00	27	2.10	GKAF87		25	1078	56.64	27	2.30			GK87	4P	85	321	16.86	4.3	1.10	GK47 GKF47 GKA47 GKAF47	4P	29		936	49.16	27	2.70	GKF87			32	838	44.02	27	2.90	GKA87	39	695	36.52	27	3.30	GKAF87		16	1696	89.12	12	0.85			GK87	4P	90	302	15.86	4.3	1.15	GK47 GKF47 GKA47 GKAF47	4P	18		1488	78.20	14	0.95	GKF87			19	1411	74.11	15	1.00	GKA87	22	1234	64.86	16	1.15	GKAF87		24	1112	58.44	17	1.30			GK87	4P	105	260	13.65	4.3	1.30	GK47 GKF47 GKA47 GKAF47	4P	28		976	51.26	17	1.50	GKF87			160	170	8.91	1.9	0.90	GKA87	180	152	7.96	1.9	0.95	GKAF87		210	129	6.80	2.0	1.10			GK47	4P	117	232	12.19	4.3	1.40	GK37 GKF37 GKA37 GKAF37	4P	224		121	6.37	2.0	1.10	GKF47			246	111	5.81	3.8	1.95	GKA47	267	102	5.36	2.0	1.30	GKAF47																																																																																																																																															
7.7	3514	123.93	38	1.15	GKAF107		9.1	2981	105.13	38	1.35			GK97	6P	47	575	30.21	11	1.35	GK67 GKF67 GKA67 GKAF67	4P	9.9		2744	96.80	38	1.45	GKF97			11		2453	86.52	38	1.65	GKA97			11	2453	86.52	38	1.65	GKAF97	8.1	3351	176.05	38	1.20	GK97	4P	52	519	27.27	11	1.45	GK57 GKF57 GKA57 GKAF57	4P	9.3		2916	153.21	38	1.35	GKF97			10		2670	140.28	38	1.50	GKA97			12	2359	123.93	38	1.70	GKAF97	14	2001	105.13	38	2.00	GK97	4P	59	458	24.05	6.8	1.20	GK57 GKF57 GKA57 GKAF57	4P	15		1842	96.80	38	2.20	GKF97			17		1647	86.52	38	2.40	GKA97			18	1482	77.89	38	2.70	GKAF97	20	1343	70.54	38	3.00	GK97	4P	63	431	22.66	12	1.70	GK57 GKF57 GKA57 GKAF57	4P	23		1191	62.55	38	3.40	GKF97			25		1076	56.55	38	3.70	GKA97			9.7	2804	147.32	26	0.90	GKAF97	9.7	2804	147.32	26	0.90	GK87	4P	74	368	19.34	6.7	1.45	GK57 GKF57 GKA57 GKAF57	4P	11		2416	126.91	26	1.05	GKF87			12		2204	115.82	26	1.15	GKA87			14	1955	102.71	27	1.30	GKAF87	17	1643	86.34	27	1.55	GK87	4P	73	373	19.58	4.2	1.00	GK47 GKF47 GKA47 GKAF47	4P	18		1510	79.34	27	1.65	GKF87			20		1341	70.46	27	1.85	GKA87			23	1199	63.00	27	2.10	GKAF87	25	1078	56.64	27	2.30	GK87	4P	85	321	16.86	4.3	1.10	GK47 GKF47 GKA47 GKAF47	4P	29		936	49.16	27	2.70	GKF87			32		838	44.02	27	2.90	GKA87			39	695	36.52	27	3.30	GKAF87	16	1696	89.12	12	0.85	GK87	4P	90	302	15.86	4.3	1.15	GK47 GKF47 GKA47 GKAF47	4P	18		1488	78.20	14	0.95	GKF87			19		1411	74.11	15	1.00	GKA87			22	1234	64.86	16	1.15	GKAF87	24	1112	58.44	17	1.30	GK87	4P	105	260	13.65	4.3	1.30	GK47 GKF47 GKA47 GKAF47	4P	28		976	51.26	17	1.50	GKF87			160		170	8.91	1.9	0.90	GKA87			180	152	7.96	1.9	0.95	GKAF87	210	129	6.80	2.0	1.10	GK47	4P	117	232	12.19	4.3	1.40	GK37 GKF37 GKA37 GKAF37	4P	224		121	6.37	2.0	1.10	GKF47			246		111	5.81	3.8	1.95	GKA47			267	102	5.36	2.0	1.30	GKAF47																																																																																																																																																					
9.1	2981	105.13	38	1.35	GK97	6P	47	575	30.21	11	1.35	GK67 GKF67 GKA67 GKAF67	4P																																																																																																																																																																																																																																																																																																																																																																																																																																																																																																																																												
9.9	2744	96.80	38	1.45	GKF97		11	2453	86.52	38	1.65			GKA97		11	2453	86.52	38	1.65			GKAF97		8.1	3351	176.05	38	1.20			GK97	4P	52	519	27.27	11	1.45	GK57 GKF57 GKA57 GKAF57	4P	9.3	2916	153.21	38	1.35	GKF97	10	2670	140.28	38	1.50	GKA97		12	2359	123.93	38	1.70			GKAF97		14	2001	105.13	38	2.00			GK97	4P	59	458	24.05	6.8	1.20	GK57 GKF57 GKA57 GKAF57	4P	15	1842	96.80	38	2.20	GKF97	17	1647	86.52	38	2.40	GKA97		18	1482	77.89	38	2.70			GKAF97		20	1343	70.54	38	3.00			GK97	4P	63	431	22.66	12	1.70	GK57 GKF57 GKA57 GKAF57	4P	23	1191	62.55	38	3.40	GKF97	25	1076	56.55	38	3.70	GKA97		9.7	2804	147.32	26	0.90			GKAF97		9.7	2804	147.32	26	0.90			GK87	4P	74	368	19.34	6.7	1.45	GK57 GKF57 GKA57 GKAF57	4P	11	2416	126.91	26	1.05	GKF87	12	2204	115.82	26	1.15	GKA87		14	1955	102.71	27	1.30			GKAF87		17	1643	86.34	27	1.55			GK87	4P	73	373	19.58	4.2	1.00	GK47 GKF47 GKA47 GKAF47	4P	18	1510	79.34	27	1.65	GKF87	20	1341	70.46	27	1.85	GKA87		23	1199	63.00	27	2.10			GKAF87		25	1078	56.64	27	2.30			GK87	4P	85	321	16.86	4.3	1.10	GK47 GKF47 GKA47 GKAF47	4P	29	936	49.16	27	2.70	GKF87	32	838	44.02	27	2.90	GKA87		39	695	36.52	27	3.30			GKAF87		16	1696	89.12	12	0.85			GK87	4P	90	302	15.86	4.3	1.15	GK47 GKF47 GKA47 GKAF47	4P	18	1488	78.20	14	0.95	GKF87	19	1411	74.11	15	1.00	GKA87		22	1234	64.86	16	1.15			GKAF87		24	1112	58.44	17	1.30			GK87	4P	105	260	13.65	4.3	1.30	GK47 GKF47 GKA47 GKAF47	4P	28	976	51.26	17	1.50	GKF87	160	170	8.91	1.9	0.90	GKA87		180	152	7.96	1.9	0.95			GKAF87		210	129	6.80	2.0	1.10			GK47	4P	117	232	12.19	4.3	1.40	GK37 GKF37 GKA37 GKAF37	4P	224	121	6.37	2.0	1.10	GKF47	246	111	5.81	3.8	1.95	GKA47		267	102	5.36	2.0	1.30			GKAF47																																																																																																																																																																												
11	2453	86.52	38	1.65	GKA97		11	2453	86.52	38	1.65			GKAF97		8.1	3351	176.05	38	1.20			GK97	4P	52	519	27.27	11	1.45	GK57 GKF57 GKA57 GKAF57	4P	9.3		2916	153.21	38	1.35	GKF97			10	2670	140.28	38	1.50	GKA97	12	2359	123.93	38	1.70	GKAF97		14	2001	105.13	38	2.00			GK97	4P	59	458	24.05	6.8	1.20	GK57 GKF57 GKA57 GKAF57	4P	15		1842	96.80	38	2.20	GKF97			17	1647	86.52	38	2.40	GKA97	18	1482	77.89	38	2.70	GKAF97		20	1343	70.54	38	3.00			GK97	4P	63	431	22.66	12	1.70	GK57 GKF57 GKA57 GKAF57	4P	23		1191	62.55	38	3.40	GKF97			25	1076	56.55	38	3.70	GKA97	9.7	2804	147.32	26	0.90	GKAF97		9.7	2804	147.32	26	0.90			GK87	4P	74	368	19.34	6.7	1.45	GK57 GKF57 GKA57 GKAF57	4P	11		2416	126.91	26	1.05	GKF87			12	2204	115.82	26	1.15	GKA87	14	1955	102.71	27	1.30	GKAF87		17	1643	86.34	27	1.55			GK87	4P	73	373	19.58	4.2	1.00	GK47 GKF47 GKA47 GKAF47	4P	18		1510	79.34	27	1.65	GKF87			20	1341	70.46	27	1.85	GKA87	23	1199	63.00	27	2.10	GKAF87		25	1078	56.64	27	2.30			GK87	4P	85	321	16.86	4.3	1.10	GK47 GKF47 GKA47 GKAF47	4P	29		936	49.16	27	2.70	GKF87			32	838	44.02	27	2.90	GKA87	39	695	36.52	27	3.30	GKAF87		16	1696	89.12	12	0.85			GK87	4P	90	302	15.86	4.3	1.15	GK47 GKF47 GKA47 GKAF47	4P	18		1488	78.20	14	0.95	GKF87			19	1411	74.11	15	1.00	GKA87	22	1234	64.86	16	1.15	GKAF87		24	1112	58.44	17	1.30			GK87	4P	105	260	13.65	4.3	1.30	GK47 GKF47 GKA47 GKAF47	4P	28		976	51.26	17	1.50	GKF87			160	170	8.91	1.9	0.90	GKA87	180	152	7.96	1.9	0.95	GKAF87		210	129	6.80	2.0	1.10			GK47	4P	117	232	12.19	4.3	1.40	GK37 GKF37 GKA37 GKAF37	4P	224		121	6.37	2.0	1.10	GKF47			246	111	5.81	3.8	1.95	GKA47	267	102	5.36	2.0	1.30	GKAF47																																																																																																																																																																																					
11	2453	86.52	38	1.65	GKAF97		8.1	3351	176.05	38	1.20			GK97	4P	52	519	27.27	11	1.45	GK57 GKF57 GKA57 GKAF57	4P	9.3		2916	153.21	38	1.35	GKF97			10		2670	140.28	38	1.50	GKA97			12	2359	123.93	38	1.70	GKAF97	14	2001	105.13	38	2.00	GK97	4P	59	458	24.05	6.8	1.20	GK57 GKF57 GKA57 GKAF57	4P	15		1842	96.80	38	2.20	GKF97			17		1647	86.52	38	2.40	GKA97			18	1482	77.89	38	2.70	GKAF97	20	1343	70.54	38	3.00	GK97	4P	63	431	22.66	12	1.70	GK57 GKF57 GKA57 GKAF57	4P	23		1191	62.55	38	3.40	GKF97			25		1076	56.55	38	3.70	GKA97			9.7	2804	147.32	26	0.90	GKAF97	9.7	2804	147.32	26	0.90	GK87	4P	74	368	19.34	6.7	1.45	GK57 GKF57 GKA57 GKAF57	4P	11		2416	126.91	26	1.05	GKF87			12		2204	115.82	26	1.15	GKA87			14	1955	102.71	27	1.30	GKAF87	17	1643	86.34	27	1.55	GK87	4P	73	373	19.58	4.2	1.00	GK47 GKF47 GKA47 GKAF47	4P	18		1510	79.34	27	1.65	GKF87			20		1341	70.46	27	1.85	GKA87			23	1199	63.00	27	2.10	GKAF87	25	1078	56.64	27	2.30	GK87	4P	85	321	16.86	4.3	1.10	GK47 GKF47 GKA47 GKAF47	4P	29		936	49.16	27	2.70	GKF87			32		838	44.02	27	2.90	GKA87			39	695	36.52	27	3.30	GKAF87	16	1696	89.12	12	0.85	GK87	4P	90	302	15.86	4.3	1.15	GK47 GKF47 GKA47 GKAF47	4P	18		1488	78.20	14	0.95	GKF87			19		1411	74.11	15	1.00	GKA87			22	1234	64.86	16	1.15	GKAF87	24	1112	58.44	17	1.30	GK87	4P	105	260	13.65	4.3	1.30	GK47 GKF47 GKA47 GKAF47	4P	28		976	51.26	17	1.50	GKF87			160		170	8.91	1.9	0.90	GKA87			180	152	7.96	1.9	0.95	GKAF87	210	129	6.80	2.0	1.10	GK47	4P	117	232	12.19	4.3	1.40	GK37 GKF37 GKA37 GKAF37	4P	224		121	6.37	2.0	1.10	GKF47			246		111	5.81	3.8	1.95	GKA47			267	102	5.36	2.0	1.30	GKAF47																																																																																																																																																																																											
8.1	3351	176.05	38	1.20	GK97	4P	52	519	27.27	11	1.45	GK57 GKF57 GKA57 GKAF57	4P																																																																																																																																																																																																																																																																																																																																																																																																																																																																																																																																												
9.3	2916	153.21	38	1.35	GKF97		10	2670	140.28	38	1.50			GKA97		12	2359	123.93	38	1.70			GKAF97		14	2001	105.13	38	2.00			GK97	4P	59	458	24.05	6.8	1.20	GK57 GKF57 GKA57 GKAF57	4P	15	1842	96.80	38	2.20	GKF97	17	1647	86.52	38	2.40	GKA97		18	1482	77.89	38	2.70			GKAF97		20	1343	70.54	38	3.00			GK97	4P	63	431	22.66	12	1.70	GK57 GKF57 GKA57 GKAF57	4P	23	1191	62.55	38	3.40	GKF97	25	1076	56.55	38	3.70	GKA97		9.7	2804	147.32	26	0.90			GKAF97		9.7	2804	147.32	26	0.90			GK87	4P	74	368	19.34	6.7	1.45	GK57 GKF57 GKA57 GKAF57	4P	11	2416	126.91	26	1.05	GKF87	12	2204	115.82	26	1.15	GKA87		14	1955	102.71	27	1.30			GKAF87		17	1643	86.34	27	1.55			GK87	4P	73	373	19.58	4.2	1.00	GK47 GKF47 GKA47 GKAF47	4P	18	1510	79.34	27	1.65	GKF87	20	1341	70.46	27	1.85	GKA87		23	1199	63.00	27	2.10			GKAF87		25	1078	56.64	27	2.30			GK87	4P	85	321	16.86	4.3	1.10	GK47 GKF47 GKA47 GKAF47	4P	29	936	49.16	27	2.70	GKF87	32	838	44.02	27	2.90	GKA87		39	695	36.52	27	3.30			GKAF87		16	1696	89.12	12	0.85			GK87	4P	90	302	15.86	4.3	1.15	GK47 GKF47 GKA47 GKAF47	4P	18	1488	78.20	14	0.95	GKF87	19	1411	74.11	15	1.00	GKA87		22	1234	64.86	16	1.15			GKAF87		24	1112	58.44	17	1.30			GK87	4P	105	260	13.65	4.3	1.30	GK47 GKF47 GKA47 GKAF47	4P	28	976	51.26	17	1.50	GKF87	160	170	8.91	1.9	0.90	GKA87		180	152	7.96	1.9	0.95			GKAF87		210	129	6.80	2.0	1.10			GK47	4P	117	232	12.19	4.3	1.40	GK37 GKF37 GKA37 GKAF37	4P	224	121	6.37	2.0	1.10	GKF47	246	111	5.81	3.8	1.95	GKA47		267	102	5.36	2.0	1.30			GKAF47																																																																																																																																																																																																																		
10	2670	140.28	38	1.50	GKA97		12	2359	123.93	38	1.70			GKAF97		14	2001	105.13	38	2.00			GK97	4P	59	458	24.05	6.8	1.20	GK57 GKF57 GKA57 GKAF57	4P	15		1842	96.80	38	2.20	GKF97			17	1647	86.52	38	2.40	GKA97	18	1482	77.89	38	2.70	GKAF97		20	1343	70.54	38	3.00			GK97	4P	63	431	22.66	12	1.70	GK57 GKF57 GKA57 GKAF57	4P	23		1191	62.55	38	3.40	GKF97			25	1076	56.55	38	3.70	GKA97	9.7	2804	147.32	26	0.90	GKAF97		9.7	2804	147.32	26	0.90			GK87	4P	74	368	19.34	6.7	1.45	GK57 GKF57 GKA57 GKAF57	4P	11		2416	126.91	26	1.05	GKF87			12	2204	115.82	26	1.15	GKA87	14	1955	102.71	27	1.30	GKAF87		17	1643	86.34	27	1.55			GK87	4P	73	373	19.58	4.2	1.00	GK47 GKF47 GKA47 GKAF47	4P	18		1510	79.34	27	1.65	GKF87			20	1341	70.46	27	1.85	GKA87	23	1199	63.00	27	2.10	GKAF87		25	1078	56.64	27	2.30			GK87	4P	85	321	16.86	4.3	1.10	GK47 GKF47 GKA47 GKAF47	4P	29		936	49.16	27	2.70	GKF87			32	838	44.02	27	2.90	GKA87	39	695	36.52	27	3.30	GKAF87		16	1696	89.12	12	0.85			GK87	4P	90	302	15.86	4.3	1.15	GK47 GKF47 GKA47 GKAF47	4P	18		1488	78.20	14	0.95	GKF87			19	1411	74.11	15	1.00	GKA87	22	1234	64.86	16	1.15	GKAF87		24	1112	58.44	17	1.30			GK87	4P	105	260	13.65	4.3	1.30	GK47 GKF47 GKA47 GKAF47	4P	28		976	51.26	17	1.50	GKF87			160	170	8.91	1.9	0.90	GKA87	180	152	7.96	1.9	0.95	GKAF87		210	129	6.80	2.0	1.10			GK47	4P	117	232	12.19	4.3	1.40	GK37 GKF37 GKA37 GKAF37	4P	224		121	6.37	2.0	1.10	GKF47			246	111	5.81	3.8	1.95	GKA47	267	102	5.36	2.0	1.30	GKAF47																																																																																																																																																																																																																											
12	2359	123.93	38	1.70	GKAF97		14	2001	105.13	38	2.00			GK97	4P	59	458	24.05	6.8	1.20	GK57 GKF57 GKA57 GKAF57	4P	15		1842	96.80	38	2.20	GKF97			17		1647	86.52	38	2.40	GKA97			18	1482	77.89	38	2.70	GKAF97	20	1343	70.54	38	3.00	GK97	4P	63	431	22.66	12	1.70	GK57 GKF57 GKA57 GKAF57	4P	23		1191	62.55	38	3.40	GKF97			25		1076	56.55	38	3.70	GKA97			9.7	2804	147.32	26	0.90	GKAF97	9.7	2804	147.32	26	0.90	GK87	4P	74	368	19.34	6.7	1.45	GK57 GKF57 GKA57 GKAF57	4P	11		2416	126.91	26	1.05	GKF87			12		2204	115.82	26	1.15	GKA87			14	1955	102.71	27	1.30	GKAF87	17	1643	86.34	27	1.55	GK87	4P	73	373	19.58	4.2	1.00	GK47 GKF47 GKA47 GKAF47	4P	18		1510	79.34	27	1.65	GKF87			20		1341	70.46	27	1.85	GKA87			23	1199	63.00	27	2.10	GKAF87	25	1078	56.64	27	2.30	GK87	4P	85	321	16.86	4.3	1.10	GK47 GKF47 GKA47 GKAF47	4P	29		936	49.16	27	2.70	GKF87			32		838	44.02	27	2.90	GKA87			39	695	36.52	27	3.30	GKAF87	16	1696	89.12	12	0.85	GK87	4P	90	302	15.86	4.3	1.15	GK47 GKF47 GKA47 GKAF47	4P	18		1488	78.20	14	0.95	GKF87			19		1411	74.11	15	1.00	GKA87			22	1234	64.86	16	1.15	GKAF87	24	1112	58.44	17	1.30	GK87	4P	105	260	13.65	4.3	1.30	GK47 GKF47 GKA47 GKAF47	4P	28		976	51.26	17	1.50	GKF87			160		170	8.91	1.9	0.90	GKA87			180	152	7.96	1.9	0.95	GKAF87	210	129	6.80	2.0	1.10	GK47	4P	117	232	12.19	4.3	1.40	GK37 GKF37 GKA37 GKAF37	4P	224		121	6.37	2.0	1.10	GKF47			246		111	5.81	3.8	1.95	GKA47			267	102	5.36	2.0	1.30	GKAF47																																																																																																																																																																																																																																	
14	2001	105.13	38	2.00	GK97	4P	59	458	24.05	6.8	1.20	GK57 GKF57 GKA57 GKAF57	4P																																																																																																																																																																																																																																																																																																																																																																																																																																																																																																																																												
15	1842	96.80	38	2.20	GKF97		17	1647	86.52	38	2.40			GKA97		18	1482	77.89	38	2.70			GKAF97		20	1343	70.54	38	3.00			GK97	4P	63	431	22.66	12	1.70	GK57 GKF57 GKA57 GKAF57	4P	23	1191	62.55	38	3.40	GKF97	25	1076	56.55	38	3.70	GKA97		9.7	2804	147.32	26	0.90			GKAF97		9.7	2804	147.32	26	0.90			GK87	4P	74	368	19.34	6.7	1.45	GK57 GKF57 GKA57 GKAF57	4P	11	2416	126.91	26	1.05	GKF87	12	2204	115.82	26	1.15	GKA87		14	1955	102.71	27	1.30			GKAF87		17	1643	86.34	27	1.55			GK87	4P	73	373	19.58	4.2	1.00	GK47 GKF47 GKA47 GKAF47	4P	18	1510	79.34	27	1.65	GKF87	20	1341	70.46	27	1.85	GKA87		23	1199	63.00	27	2.10			GKAF87		25	1078	56.64	27	2.30			GK87	4P	85	321	16.86	4.3	1.10	GK47 GKF47 GKA47 GKAF47	4P	29	936	49.16	27	2.70	GKF87	32	838	44.02	27	2.90	GKA87		39	695	36.52	27	3.30			GKAF87		16	1696	89.12	12	0.85			GK87	4P	90	302	15.86	4.3	1.15	GK47 GKF47 GKA47 GKAF47	4P	18	1488	78.20	14	0.95	GKF87	19	1411	74.11	15	1.00	GKA87		22	1234	64.86	16	1.15			GKAF87		24	1112	58.44	17	1.30			GK87	4P	105	260	13.65	4.3	1.30	GK47 GKF47 GKA47 GKAF47	4P	28	976	51.26	17	1.50	GKF87	160	170	8.91	1.9	0.90	GKA87		180	152	7.96	1.9	0.95			GKAF87		210	129	6.80	2.0	1.10			GK47	4P	117	232	12.19	4.3	1.40	GK37 GKF37 GKA37 GKAF37	4P	224	121	6.37	2.0	1.10	GKF47	246	111	5.81	3.8	1.95	GKA47		267	102	5.36	2.0	1.30			GKAF47																																																																																																																																																																																																																																																								
17	1647	86.52	38	2.40	GKA97		18	1482	77.89	38	2.70			GKAF97		20	1343	70.54	38	3.00			GK97	4P	63	431	22.66	12	1.70	GK57 GKF57 GKA57 GKAF57	4P	23		1191	62.55	38	3.40	GKF97			25	1076	56.55	38	3.70	GKA97	9.7	2804	147.32	26	0.90	GKAF97		9.7	2804	147.32	26	0.90			GK87	4P	74	368	19.34	6.7	1.45	GK57 GKF57 GKA57 GKAF57	4P	11		2416	126.91	26	1.05	GKF87			12	2204	115.82	26	1.15	GKA87	14	1955	102.71	27	1.30	GKAF87		17	1643	86.34	27	1.55			GK87	4P	73	373	19.58	4.2	1.00	GK47 GKF47 GKA47 GKAF47	4P	18		1510	79.34	27	1.65	GKF87			20	1341	70.46	27	1.85	GKA87	23	1199	63.00	27	2.10	GKAF87		25	1078	56.64	27	2.30			GK87	4P	85	321	16.86	4.3	1.10	GK47 GKF47 GKA47 GKAF47	4P	29		936	49.16	27	2.70	GKF87			32	838	44.02	27	2.90	GKA87	39	695	36.52	27	3.30	GKAF87		16	1696	89.12	12	0.85			GK87	4P	90	302	15.86	4.3	1.15	GK47 GKF47 GKA47 GKAF47	4P	18		1488	78.20	14	0.95	GKF87			19	1411	74.11	15	1.00	GKA87	22	1234	64.86	16	1.15	GKAF87		24	1112	58.44	17	1.30			GK87	4P	105	260	13.65	4.3	1.30	GK47 GKF47 GKA47 GKAF47	4P	28		976	51.26	17	1.50	GKF87			160	170	8.91	1.9	0.90	GKA87	180	152	7.96	1.9	0.95	GKAF87		210	129	6.80	2.0	1.10			GK47	4P	117	232	12.19	4.3	1.40	GK37 GKF37 GKA37 GKAF37	4P	224		121	6.37	2.0	1.10	GKF47			246	111	5.81	3.8	1.95	GKA47	267	102	5.36	2.0	1.30	GKAF47																																																																																																																																																																																																																																																																	
18	1482	77.89	38	2.70	GKAF97		20	1343	70.54	38	3.00			GK97	4P	63	431	22.66	12	1.70	GK57 GKF57 GKA57 GKAF57	4P	23		1191	62.55	38	3.40	GKF97			25		1076	56.55	38	3.70	GKA97			9.7	2804	147.32	26	0.90	GKAF97	9.7	2804	147.32	26	0.90	GK87	4P	74	368	19.34	6.7	1.45	GK57 GKF57 GKA57 GKAF57	4P	11		2416	126.91	26	1.05	GKF87			12		2204	115.82	26	1.15	GKA87			14	1955	102.71	27	1.30	GKAF87	17	1643	86.34	27	1.55	GK87	4P	73	373	19.58	4.2	1.00	GK47 GKF47 GKA47 GKAF47	4P	18		1510	79.34	27	1.65	GKF87			20		1341	70.46	27	1.85	GKA87			23	1199	63.00	27	2.10	GKAF87	25	1078	56.64	27	2.30	GK87	4P	85	321	16.86	4.3	1.10	GK47 GKF47 GKA47 GKAF47	4P	29		936	49.16	27	2.70	GKF87			32		838	44.02	27	2.90	GKA87			39	695	36.52	27	3.30	GKAF87	16	1696	89.12	12	0.85	GK87	4P	90	302	15.86	4.3	1.15	GK47 GKF47 GKA47 GKAF47	4P	18		1488	78.20	14	0.95	GKF87			19		1411	74.11	15	1.00	GKA87			22	1234	64.86	16	1.15	GKAF87	24	1112	58.44	17	1.30	GK87	4P	105	260	13.65	4.3	1.30	GK47 GKF47 GKA47 GKAF47	4P	28		976	51.26	17	1.50	GKF87			160		170	8.91	1.9	0.90	GKA87			180	152	7.96	1.9	0.95	GKAF87	210	129	6.80	2.0	1.10	GK47	4P	117	232	12.19	4.3	1.40	GK37 GKF37 GKA37 GKAF37	4P	224		121	6.37	2.0	1.10	GKF47			246		111	5.81	3.8	1.95	GKA47			267	102	5.36	2.0	1.30	GKAF47																																																																																																																																																																																																																																																																							
20	1343	70.54	38	3.00	GK97	4P	63	431	22.66	12	1.70	GK57 GKF57 GKA57 GKAF57	4P																																																																																																																																																																																																																																																																																																																																																																																																																																																																																																																																												
23	1191	62.55	38	3.40	GKF97		25	1076	56.55	38	3.70			GKA97		9.7	2804	147.32	26	0.90			GKAF97		9.7	2804	147.32	26	0.90			GK87	4P	74	368	19.34	6.7	1.45	GK57 GKF57 GKA57 GKAF57	4P	11	2416	126.91	26	1.05	GKF87	12	2204	115.82	26	1.15	GKA87		14	1955	102.71	27	1.30			GKAF87		17	1643	86.34	27	1.55			GK87	4P	73	373	19.58	4.2	1.00	GK47 GKF47 GKA47 GKAF47	4P	18	1510	79.34	27	1.65	GKF87	20	1341	70.46	27	1.85	GKA87		23	1199	63.00	27	2.10			GKAF87		25	1078	56.64	27	2.30			GK87	4P	85	321	16.86	4.3	1.10	GK47 GKF47 GKA47 GKAF47	4P	29	936	49.16	27	2.70	GKF87	32	838	44.02	27	2.90	GKA87		39	695	36.52	27	3.30			GKAF87		16	1696	89.12	12	0.85			GK87	4P	90	302	15.86	4.3	1.15	GK47 GKF47 GKA47 GKAF47	4P	18	1488	78.20	14	0.95	GKF87	19	1411	74.11	15	1.00	GKA87		22	1234	64.86	16	1.15			GKAF87		24	1112	58.44	17	1.30			GK87	4P	105	260	13.65	4.3	1.30	GK47 GKF47 GKA47 GKAF47	4P	28	976	51.26	17	1.50	GKF87	160	170	8.91	1.9	0.90	GKA87		180	152	7.96	1.9	0.95			GKAF87		210	129	6.80	2.0	1.10			GK47	4P	117	232	12.19	4.3	1.40	GK37 GKF37 GKA37 GKAF37	4P	224	121	6.37	2.0	1.10	GKF47	246	111	5.81	3.8	1.95	GKA47		267	102	5.36	2.0	1.30			GKAF47																																																																																																																																																																																																																																																																																														
25	1076	56.55	38	3.70	GKA97		9.7	2804	147.32	26	0.90			GKAF97		9.7	2804	147.32	26	0.90			GK87	4P	74	368	19.34	6.7	1.45	GK57 GKF57 GKA57 GKAF57	4P	11		2416	126.91	26	1.05	GKF87			12	2204	115.82	26	1.15	GKA87	14	1955	102.71	27	1.30	GKAF87		17	1643	86.34	27	1.55			GK87	4P	73	373	19.58	4.2	1.00	GK47 GKF47 GKA47 GKAF47	4P	18		1510	79.34	27	1.65	GKF87			20	1341	70.46	27	1.85	GKA87	23	1199	63.00	27	2.10	GKAF87		25	1078	56.64	27	2.30			GK87	4P	85	321	16.86	4.3	1.10	GK47 GKF47 GKA47 GKAF47	4P	29		936	49.16	27	2.70	GKF87			32	838	44.02	27	2.90	GKA87	39	695	36.52	27	3.30	GKAF87		16	1696	89.12	12	0.85			GK87	4P	90	302	15.86	4.3	1.15	GK47 GKF47 GKA47 GKAF47	4P	18		1488	78.20	14	0.95	GKF87			19	1411	74.11	15	1.00	GKA87	22	1234	64.86	16	1.15	GKAF87		24	1112	58.44	17	1.30			GK87	4P	105	260	13.65	4.3	1.30	GK47 GKF47 GKA47 GKAF47	4P	28		976	51.26	17	1.50	GKF87			160	170	8.91	1.9	0.90	GKA87	180	152	7.96	1.9	0.95	GKAF87		210	129	6.80	2.0	1.10			GK47	4P	117	232	12.19	4.3	1.40	GK37 GKF37 GKA37 GKAF37	4P	224		121	6.37	2.0	1.10	GKF47			246	111	5.81	3.8	1.95	GKA47	267	102	5.36	2.0	1.30	GKAF47																																																																																																																																																																																																																																																																																																							
9.7	2804	147.32	26	0.90	GKAF97		9.7	2804	147.32	26	0.90			GK87	4P	74	368	19.34	6.7	1.45	GK57 GKF57 GKA57 GKAF57	4P	11		2416	126.91	26	1.05	GKF87			12		2204	115.82	26	1.15	GKA87			14	1955	102.71	27	1.30	GKAF87	17	1643	86.34	27	1.55	GK87	4P	73	373	19.58	4.2	1.00	GK47 GKF47 GKA47 GKAF47	4P	18		1510	79.34	27	1.65	GKF87			20		1341	70.46	27	1.85	GKA87			23	1199	63.00	27	2.10	GKAF87	25	1078	56.64	27	2.30	GK87	4P	85	321	16.86	4.3	1.10	GK47 GKF47 GKA47 GKAF47	4P	29		936	49.16	27	2.70	GKF87			32		838	44.02	27	2.90	GKA87			39	695	36.52	27	3.30	GKAF87	16	1696	89.12	12	0.85	GK87	4P	90	302	15.86	4.3	1.15	GK47 GKF47 GKA47 GKAF47	4P	18		1488	78.20	14	0.95	GKF87			19		1411	74.11	15	1.00	GKA87			22	1234	64.86	16	1.15	GKAF87	24	1112	58.44	17	1.30	GK87	4P	105	260	13.65	4.3	1.30	GK47 GKF47 GKA47 GKAF47	4P	28		976	51.26	17	1.50	GKF87			160		170	8.91	1.9	0.90	GKA87			180	152	7.96	1.9	0.95	GKAF87	210	129	6.80	2.0	1.10	GK47	4P	117	232	12.19	4.3	1.40	GK37 GKF37 GKA37 GKAF37	4P	224		121	6.37	2.0	1.10	GKF47			246		111	5.81	3.8	1.95	GKA47			267	102	5.36	2.0	1.30	GKAF47																																																																																																																																																																																																																																																																																																													
9.7	2804	147.32	26	0.90	GK87	4P	74	368	19.34	6.7	1.45	GK57 GKF57 GKA57 GKAF57	4P																																																																																																																																																																																																																																																																																																																																																																																																																																																																																																																																												
11	2416	126.91	26	1.05	GKF87		12	2204	115.82	26	1.15			GKA87		14	1955	102.71	27	1.30			GKAF87		17	1643	86.34	27	1.55			GK87	4P	73	373	19.58	4.2	1.00	GK47 GKF47 GKA47 GKAF47	4P	18	1510	79.34	27	1.65	GKF87	20	1341	70.46	27	1.85	GKA87		23	1199	63.00	27	2.10			GKAF87		25	1078	56.64	27	2.30			GK87	4P	85	321	16.86	4.3	1.10	GK47 GKF47 GKA47 GKAF47	4P	29	936	49.16	27	2.70	GKF87	32	838	44.02	27	2.90	GKA87		39	695	36.52	27	3.30			GKAF87		16	1696	89.12	12	0.85			GK87	4P	90	302	15.86	4.3	1.15	GK47 GKF47 GKA47 GKAF47	4P	18	1488	78.20	14	0.95	GKF87	19	1411	74.11	15	1.00	GKA87		22	1234	64.86	16	1.15			GKAF87		24	1112	58.44	17	1.30			GK87	4P	105	260	13.65	4.3	1.30	GK47 GKF47 GKA47 GKAF47	4P	28	976	51.26	17	1.50	GKF87	160	170	8.91	1.9	0.90	GKA87		180	152	7.96	1.9	0.95			GKAF87		210	129	6.80	2.0	1.10			GK47	4P	117	232	12.19	4.3	1.40	GK37 GKF37 GKA37 GKAF37	4P	224	121	6.37	2.0	1.10	GKF47	246	111	5.81	3.8	1.95	GKA47		267	102	5.36	2.0	1.30			GKAF47																																																																																																																																																																																																																																																																																																																																				
12	2204	115.82	26	1.15	GKA87		14	1955	102.71	27	1.30			GKAF87		17	1643	86.34	27	1.55			GK87	4P	73	373	19.58	4.2	1.00	GK47 GKF47 GKA47 GKAF47	4P	18		1510	79.34	27	1.65	GKF87			20	1341	70.46	27	1.85	GKA87	23	1199	63.00	27	2.10	GKAF87		25	1078	56.64	27	2.30			GK87	4P	85	321	16.86	4.3	1.10	GK47 GKF47 GKA47 GKAF47	4P	29		936	49.16	27	2.70	GKF87			32	838	44.02	27	2.90	GKA87	39	695	36.52	27	3.30	GKAF87		16	1696	89.12	12	0.85			GK87	4P	90	302	15.86	4.3	1.15	GK47 GKF47 GKA47 GKAF47	4P	18		1488	78.20	14	0.95	GKF87			19	1411	74.11	15	1.00	GKA87	22	1234	64.86	16	1.15	GKAF87		24	1112	58.44	17	1.30			GK87	4P	105	260	13.65	4.3	1.30	GK47 GKF47 GKA47 GKAF47	4P	28		976	51.26	17	1.50	GKF87			160	170	8.91	1.9	0.90	GKA87	180	152	7.96	1.9	0.95	GKAF87		210	129	6.80	2.0	1.10			GK47	4P	117	232	12.19	4.3	1.40	GK37 GKF37 GKA37 GKAF37	4P	224		121	6.37	2.0	1.10	GKF47			246	111	5.81	3.8	1.95	GKA47	267	102	5.36	2.0	1.30	GKAF47																																																																																																																																																																																																																																																																																																																																													
14	1955	102.71	27	1.30	GKAF87		17	1643	86.34	27	1.55			GK87	4P	73	373	19.58	4.2	1.00	GK47 GKF47 GKA47 GKAF47	4P	18		1510	79.34	27	1.65	GKF87			20		1341	70.46	27	1.85	GKA87			23	1199	63.00	27	2.10	GKAF87	25	1078	56.64	27	2.30	GK87	4P	85	321	16.86	4.3	1.10	GK47 GKF47 GKA47 GKAF47	4P	29		936	49.16	27	2.70	GKF87			32		838	44.02	27	2.90	GKA87			39	695	36.52	27	3.30	GKAF87	16	1696	89.12	12	0.85	GK87	4P	90	302	15.86	4.3	1.15	GK47 GKF47 GKA47 GKAF47	4P	18		1488	78.20	14	0.95	GKF87			19		1411	74.11	15	1.00	GKA87			22	1234	64.86	16	1.15	GKAF87	24	1112	58.44	17	1.30	GK87	4P	105	260	13.65	4.3	1.30	GK47 GKF47 GKA47 GKAF47	4P	28		976	51.26	17	1.50	GKF87			160		170	8.91	1.9	0.90	GKA87			180	152	7.96	1.9	0.95	GKAF87	210	129	6.80	2.0	1.10	GK47	4P	117	232	12.19	4.3	1.40	GK37 GKF37 GKA37 GKAF37	4P	224		121	6.37	2.0	1.10	GKF47			246		111	5.81	3.8	1.95	GKA47			267	102	5.36	2.0	1.30	GKAF47																																																																																																																																																																																																																																																																																																																																																			
17	1643	86.34	27	1.55	GK87	4P	73	373	19.58	4.2	1.00	GK47 GKF47 GKA47 GKAF47	4P																																																																																																																																																																																																																																																																																																																																																																																																																																																																																																																																												
18	1510	79.34	27	1.65	GKF87		20	1341	70.46	27	1.85			GKA87		23	1199	63.00	27	2.10			GKAF87		25	1078	56.64	27	2.30			GK87	4P	85	321	16.86	4.3	1.10	GK47 GKF47 GKA47 GKAF47	4P	29	936	49.16	27	2.70	GKF87	32	838	44.02	27	2.90	GKA87		39	695	36.52	27	3.30			GKAF87		16	1696	89.12	12	0.85			GK87	4P	90	302	15.86	4.3	1.15	GK47 GKF47 GKA47 GKAF47	4P	18	1488	78.20	14	0.95	GKF87	19	1411	74.11	15	1.00	GKA87		22	1234	64.86	16	1.15			GKAF87		24	1112	58.44	17	1.30			GK87	4P	105	260	13.65	4.3	1.30	GK47 GKF47 GKA47 GKAF47	4P	28	976	51.26	17	1.50	GKF87	160	170	8.91	1.9	0.90	GKA87		180	152	7.96	1.9	0.95			GKAF87		210	129	6.80	2.0	1.10			GK47	4P	117	232	12.19	4.3	1.40	GK37 GKF37 GKA37 GKAF37	4P	224	121	6.37	2.0	1.10	GKF47	246	111	5.81	3.8	1.95	GKA47		267	102	5.36	2.0	1.30			GKAF47																																																																																																																																																																																																																																																																																																																																																																										
20	1341	70.46	27	1.85	GKA87		23	1199	63.00	27	2.10			GKAF87		25	1078	56.64	27	2.30			GK87	4P	85	321	16.86	4.3	1.10	GK47 GKF47 GKA47 GKAF47	4P	29		936	49.16	27	2.70	GKF87			32	838	44.02	27	2.90	GKA87	39	695	36.52	27	3.30	GKAF87		16	1696	89.12	12	0.85			GK87	4P	90	302	15.86	4.3	1.15	GK47 GKF47 GKA47 GKAF47	4P	18		1488	78.20	14	0.95	GKF87			19	1411	74.11	15	1.00	GKA87	22	1234	64.86	16	1.15	GKAF87		24	1112	58.44	17	1.30			GK87	4P	105	260	13.65	4.3	1.30	GK47 GKF47 GKA47 GKAF47	4P	28		976	51.26	17	1.50	GKF87			160	170	8.91	1.9	0.90	GKA87	180	152	7.96	1.9	0.95	GKAF87		210	129	6.80	2.0	1.10			GK47	4P	117	232	12.19	4.3	1.40	GK37 GKF37 GKA37 GKAF37	4P	224		121	6.37	2.0	1.10	GKF47			246	111	5.81	3.8	1.95	GKA47	267	102	5.36	2.0	1.30	GKAF47																																																																																																																																																																																																																																																																																																																																																																																			
23	1199	63.00	27	2.10	GKAF87		25	1078	56.64	27	2.30			GK87	4P	85	321	16.86	4.3	1.10	GK47 GKF47 GKA47 GKAF47	4P	29		936	49.16	27	2.70	GKF87			32		838	44.02	27	2.90	GKA87			39	695	36.52	27	3.30	GKAF87	16	1696	89.12	12	0.85	GK87	4P	90	302	15.86	4.3	1.15	GK47 GKF47 GKA47 GKAF47	4P	18		1488	78.20	14	0.95	GKF87			19		1411	74.11	15	1.00	GKA87			22	1234	64.86	16	1.15	GKAF87	24	1112	58.44	17	1.30	GK87	4P	105	260	13.65	4.3	1.30	GK47 GKF47 GKA47 GKAF47	4P	28		976	51.26	17	1.50	GKF87			160		170	8.91	1.9	0.90	GKA87			180	152	7.96	1.9	0.95	GKAF87	210	129	6.80	2.0	1.10	GK47	4P	117	232	12.19	4.3	1.40	GK37 GKF37 GKA37 GKAF37	4P	224		121	6.37	2.0	1.10	GKF47			246		111	5.81	3.8	1.95	GKA47			267	102	5.36	2.0	1.30	GKAF47																																																																																																																																																																																																																																																																																																																																																																																									
25	1078	56.64	27	2.30	GK87	4P	85	321	16.86	4.3	1.10	GK47 GKF47 GKA47 GKAF47	4P																																																																																																																																																																																																																																																																																																																																																																																																																																																																																																																																												
29	936	49.16	27	2.70	GKF87		32	838	44.02	27	2.90			GKA87		39	695	36.52	27	3.30			GKAF87		16	1696	89.12	12	0.85			GK87	4P	90	302	15.86	4.3	1.15	GK47 GKF47 GKA47 GKAF47	4P	18	1488	78.20	14	0.95	GKF87	19	1411	74.11	15	1.00	GKA87		22	1234	64.86	16	1.15			GKAF87		24	1112	58.44	17	1.30			GK87	4P	105	260	13.65	4.3	1.30	GK47 GKF47 GKA47 GKAF47	4P	28	976	51.26	17	1.50	GKF87	160	170	8.91	1.9	0.90	GKA87		180	152	7.96	1.9	0.95			GKAF87		210	129	6.80	2.0	1.10			GK47	4P	117	232	12.19	4.3	1.40	GK37 GKF37 GKA37 GKAF37	4P	224	121	6.37	2.0	1.10	GKF47	246	111	5.81	3.8	1.95	GKA47		267	102	5.36	2.0	1.30			GKAF47																																																																																																																																																																																																																																																																																																																																																																																																																
32	838	44.02	27	2.90	GKA87		39	695	36.52	27	3.30			GKAF87		16	1696	89.12	12	0.85			GK87	4P	90	302	15.86	4.3	1.15	GK47 GKF47 GKA47 GKAF47	4P	18		1488	78.20	14	0.95	GKF87			19	1411	74.11	15	1.00	GKA87	22	1234	64.86	16	1.15	GKAF87		24	1112	58.44	17	1.30			GK87	4P	105	260	13.65	4.3	1.30	GK47 GKF47 GKA47 GKAF47	4P	28		976	51.26	17	1.50	GKF87			160	170	8.91	1.9	0.90	GKA87	180	152	7.96	1.9	0.95	GKAF87		210	129	6.80	2.0	1.10			GK47	4P	117	232	12.19	4.3	1.40	GK37 GKF37 GKA37 GKAF37	4P	224		121	6.37	2.0	1.10	GKF47			246	111	5.81	3.8	1.95	GKA47	267	102	5.36	2.0	1.30	GKAF47																																																																																																																																																																																																																																																																																																																																																																																																																									
39	695	36.52	27	3.30	GKAF87		16	1696	89.12	12	0.85			GK87	4P	90	302	15.86	4.3	1.15	GK47 GKF47 GKA47 GKAF47	4P	18		1488	78.20	14	0.95	GKF87			19		1411	74.11	15	1.00	GKA87			22	1234	64.86	16	1.15	GKAF87	24	1112	58.44	17	1.30	GK87	4P	105	260	13.65	4.3	1.30	GK47 GKF47 GKA47 GKAF47	4P	28		976	51.26	17	1.50	GKF87			160		170	8.91	1.9	0.90	GKA87			180	152	7.96	1.9	0.95	GKAF87	210	129	6.80	2.0	1.10	GK47	4P	117	232	12.19	4.3	1.40	GK37 GKF37 GKA37 GKAF37	4P	224		121	6.37	2.0	1.10	GKF47			246		111	5.81	3.8	1.95	GKA47			267	102	5.36	2.0	1.30	GKAF47																																																																																																																																																																																																																																																																																																																																																																																																																															
16	1696	89.12	12	0.85	GK87	4P	90	302	15.86	4.3	1.15	GK47 GKF47 GKA47 GKAF47	4P																																																																																																																																																																																																																																																																																																																																																																																																																																																																																																																																												
18	1488	78.20	14	0.95	GKF87		19	1411	74.11	15	1.00			GKA87		22	1234	64.86	16	1.15			GKAF87		24	1112	58.44	17	1.30			GK87	4P	105	260	13.65	4.3	1.30	GK47 GKF47 GKA47 GKAF47	4P	28	976	51.26	17	1.50	GKF87	160	170	8.91	1.9	0.90	GKA87		180	152	7.96	1.9	0.95			GKAF87		210	129	6.80	2.0	1.10			GK47	4P	117	232	12.19	4.3	1.40	GK37 GKF37 GKA37 GKAF37	4P	224	121	6.37	2.0	1.10	GKF47	246	111	5.81	3.8	1.95	GKA47		267	102	5.36	2.0	1.30			GKAF47																																																																																																																																																																																																																																																																																																																																																																																																																																																						
19	1411	74.11	15	1.00	GKA87		22	1234	64.86	16	1.15			GKAF87		24	1112	58.44	17	1.30			GK87	4P	105	260	13.65	4.3	1.30	GK47 GKF47 GKA47 GKAF47	4P	28		976	51.26	17	1.50	GKF87			160	170	8.91	1.9	0.90	GKA87	180	152	7.96	1.9	0.95	GKAF87		210	129	6.80	2.0	1.10			GK47	4P	117	232	12.19	4.3	1.40	GK37 GKF37 GKA37 GKAF37	4P	224		121	6.37	2.0	1.10	GKF47			246	111	5.81	3.8	1.95	GKA47	267	102	5.36	2.0	1.30	GKAF47																																																																																																																																																																																																																																																																																																																																																																																																																																																															
22	1234	64.86	16	1.15	GKAF87		24	1112	58.44	17	1.30			GK87	4P	105	260	13.65	4.3	1.30	GK47 GKF47 GKA47 GKAF47	4P	28		976	51.26	17	1.50	GKF87			160		170	8.91	1.9	0.90	GKA87			180	152	7.96	1.9	0.95	GKAF87	210	129	6.80	2.0	1.10	GK47	4P	117	232	12.19	4.3	1.40	GK37 GKF37 GKA37 GKAF37	4P	224		121	6.37	2.0	1.10	GKF47			246		111	5.81	3.8	1.95	GKA47			267	102	5.36	2.0	1.30	GKAF47																																																																																																																																																																																																																																																																																																																																																																																																																																																																					
24	1112	58.44	17	1.30	GK87	4P	105	260	13.65	4.3	1.30	GK47 GKF47 GKA47 GKAF47	4P																																																																																																																																																																																																																																																																																																																																																																																																																																																																																																																																												
28	976	51.26	17	1.50	GKF87		160	170	8.91	1.9	0.90			GKA87		180	152	7.96	1.9	0.95			GKAF87		210	129	6.80	2.0	1.10			GK47	4P	117	232	12.19	4.3	1.40	GK37 GKF37 GKA37 GKAF37	4P	224	121	6.37	2.0	1.10	GKF47	246	111	5.81	3.8	1.95	GKA47		267	102	5.36	2.0	1.30			GKAF47																																																																																																																																																																																																																																																																																																																																																																																																																																																																																												
160	170	8.91	1.9	0.90	GKA87		180	152	7.96	1.9	0.95			GKAF87		210	129	6.80	2.0	1.10			GK47	4P	117	232	12.19	4.3	1.40	GK37 GKF37 GKA37 GKAF37	4P	224		121	6.37	2.0	1.10	GKF47			246	111	5.81	3.8	1.95	GKA47	267	102	5.36	2.0	1.30	GKAF47																																																																																																																																																																																																																																																																																																																																																																																																																																																																																																					
180	152	7.96	1.9	0.95	GKAF87		210	129	6.80	2.0	1.10			GK47	4P	117	232	12.19	4.3	1.40	GK37 GKF37 GKA37 GKAF37	4P	224		121	6.37	2.0	1.10	GKF47			246		111	5.81	3.8	1.95	GKA47			267	102	5.36	2.0	1.30	GKAF47																																																																																																																																																																																																																																																																																																																																																																																																																																																																																																											
210	129	6.80	2.0	1.10	GK47	4P	117	232	12.19	4.3	1.40	GK37 GKF37 GKA37 GKAF37	4P																																																																																																																																																																																																																																																																																																																																																																																																																																																																																																																																												
224	121	6.37	2.0	1.10	GKF47		246	111	5.81	3.8	1.95			GKA47		267	102	5.36	2.0	1.30			GKAF47																																																																																																																																																																																																																																																																																																																																																																																																																																																																																																																																		
246	111	5.81	3.8	1.95	GKA47		267	102	5.36	2.0	1.30			GKAF47																																																																																																																																																																																																																																																																																																																																																																																																																																																																																																																																											
267	102	5.36	2.0	1.30	GKAF47																																																																																																																																																																																																																																																																																																																																																																																																																																																																																																																																																				

选型参数表
(恒功率)

Selection Table
(Constant Power)

n_a [r/min]	Ma [Nm]	i	F_{ra} [kN]	f_B	机型号 Type size	极数 Pole	n_a [r/min]	Ma [Nm]	i	F_{ra} [kN]	f_B	机型号 Type size	极数 Pole
4.0kW							4.0kW						
1.7	1991	835	171	2.50	GK187R107	4P	6.4	5666	112.41	62	1.35	GK107	8P
3.2	10774	450	171	4.00	GKA187R107		7.1	5078	100.75	62	1.50	GKF107	
0.64	53916	2252	152	0.80	GK187R97 GKA187R97	4P	7.9	4585	90.96	62	1.65	GKA107	
0.71	48553	2028	162	0.90			8.7	4164	82.61	62	1.85	GKAF107	
0.78	43956	1836	170	1.00			6.7	5423	143.47	62	1.40	GK107 GKF107 GKA107 GKAF107	
0.88	38976	1628	171	1.10			7.9	4591	121.46	62	1.65		
1.1	31746	1326	171	1.25			8.5	4249	112.41	62	1.80		
1.2	29855	1247	171	1.45			9.5	3809	100.75	62	2.00		
1.3	25689	1073	171	1.70			11	3438	90.96	62	2.20		
1.5	22385	935	171	1.95			10	3616	143.47	62	2.10		GK107 GKF107 GKA107 GKAF107
1.7	20254	846	171	2.20	12	3061	121.46	62	2.50				
1.0	33135	1384	135	0.90	13	2833	112.41	62	2.70				
1.1	30501	1274	135	1.00	14	2539	100.75	62	3.00				
1.3	26192	1094	135	1.20	16	2292	90.96	62	3.30				
1.6	22241	929	135	1.40	17	2082	82.61	62	3.60	GK97 GKF97 GKA97 GKAF97			
1.7	20063	838	135	1.55	20	1847	73.30	62	4.10				
1.9	17812	744	135	1.75	9.4	3861	153.21	38	1.05				
2.3	15035	628	135	2.10	10	3535	140.28	38	1.15				
1.7	20829	870	105	0.85	12	3123	123.93	38	1.30				
1.9	18195	760	106	1.00	14	2649	105.13	38	1.50		GK97 GKF97 GKA97 GKAF97		
2.5	13647	570	108	1.30	15	2439	96.80	38	1.65				
2.8	12210	510	109	1.45	17	2180	86.52	38	1.85				
3.3	10462	437	109	1.70	18	1963	77.89	38	2.00				
2.7	12952	541	75	1.00	20	1778	70.54	38	2.30				
3.0	11420	477	76	1.15	23	1576	62.55	38	2.60	GK87 GKF87 GKA87 GKAF87			
3.4	10127	423	77	1.30	25	1425	56.55	38	2.85				
3.9	8834	369	77	1.45	12	2919	115.82	25	0.85				
4.3	7972	333	77	1.65	14	2588	102.71	26	1.00				
5.0	6919	289	78	1.90	17	2176	86.34	26	1.15				
5.7	6081	254	78	2.15	18	1999	79.34	27	1.25		GK87 GKF87 GKA87 GKAF87		
2.4	14484	605	72	0.90	20	1776	70.46	27	1.40				
2.6	13120	548	75	1.00	23	1588	63.00	27	1.60				
3.0	11324	473	76	1.15	25	1427	56.64	27	1.75				
3.5	9816	410	76	1.30	29	1239	49.16	27	2.00				
4.0	8715	364	62	0.90	33	1109	44.02	27	2.20	GK87 GKF87 GKA87 GKAF87			
4.5	7613	318	62	1.05	39	920	36.52	26	2.50				
5.0	6847	286	62	1.15	46	791	31.38	26	2.90				
5.7	6009	251	62	1.35	52	702	27.87	26	3.20				
6.5	5315	222	62	1.50	22	1635	64.86	13	0.90				
7.3	4692	196	62	1.70	25	1473	58.44	14	1.00		GK77 GKF77 GKA77 GKAF77		
8.3	4166	174	62	1.90	28	1292	51.26	16	1.15				
9.4	3687	154	62	2.15	32	1140	45.24	17	1.30				
10	3352	140	62	2.40	36	1011	40.10	17	1.45				
7.2	4764	199	38	0.90	37	969	38.45	17	1.45				
7.2	4764	199	38	0.90	41	888	35.25	18	1.65	GK77 GKF77 GKA77 GKAF77			
5.3	6809	135.09	78	1.80	47	779	30.93	18	1.85				
5.9	6159	122.20	78	2.00	49	739	29.31	18	1.95				
6.6	5527	109.66	78	2.20	56	647	25.66	18	2.20				
6.4	5107	149.04	78	2.20	62	582	23.11	19	2.50				
7.1	4619	135.09	78	2.40	71	511	20.28	19	2.80		GK127 GKF127 GKA127 GKAF127		
7.9	4145	122.20	78	2.70	80	451	17.89	19	3.15				
8.8	4249	109.66	78	3.00	91	400	15.86	19	3.55				
6.4	5107	149.04	78	2.20	106	341	13.54	19	4.20				
7.1	4619	135.09	78	2.40									
7.9	4145	122.20	78	2.70									

选型参数表
(恒功率)

Selection Table
(Constant Power)

n_a [r/min]	Ma [Nm]	i	F_{ra} [kN]	f_B	机型号 Type size	极数 Pole	n_a [r/min]	Ma [Nm]	i	F_{ra} [kN]	f_B	机型号 Type size	极数 Pole
4.0kW							5.5kW						
48	761	30.21	10	1.00	GK67	4P	6.5	7308	222	62	1.10		4P
53	687	27.27	10	1.10	GKF67		7.3	6452	196	62	1.25	GK107R77	
60	605	23.99	11	1.25	GKA67		8.3	5728	174	62	1.40	GKF107R77	
64	571	22.66	11	1.30	GKAF67		9.4	5070	154	62	1.60	GKA107R77	
75	486	19.29	12	1.45		4P	10	4609	140	62	1.75	GKAF107R77	
82	442	17.53	12	1.55			4.7	10565	152.45	109	1.60	GK157	
95	383	15.19	12	1.70	GK67		5.8	8542	123.25	110	2.00	GKF157	
109	333	13.22	12	1.90	GKF67		7.2	6921	99.87	110	2.40	GKA157	
115	315	12.48	12	1.60	GKA67		7.8	6399	92.33	110	2.70	GKAF157	
135	268	10.63	12	1.75	GKAF67		5.3	9362	135.09	77	1.30	GK127	
149	243	9.66	12	1.85			5.9	8469	122.20	77	1.45	GKF127	
172	211	8.37	12	1.95		6.6	7600	109.66	77	1.60	GKA127		
198	183	7.28	11	2.10		8.1	6175	89.10	78	1.95	GKAF127		
60	606	24.05	5.8	0.95		4P	7.1	7022	135.09	78	1.75	GK127	
63	572	22.71	5.9	1.00			7.9	6352	122.20	78	1.95	GKF127	
74	487	19.34	5.9	1.10			8.8	5700	109.66	78	2.20	GKA127	
82	443	17.57	5.9	1.15			11	4631	89.10	78	2.60	GKAF127	
95	384	15.22	5.9	1.30	GK57		8.5	5843	112.41	62	1.30	GK107	
109	334	13.25	5.8	1.45	GKF57		9.5	5237	100.75	62	1.45	GKF107	
121	300	11.92	5.5	1.30	GKA57		11	4728	90.96	62	1.60	GKA107	
128	284	11.26	5.5	1.35	GKAF57		12	4294	82.61	62	1.75	GKAF107	
150	242	9.59	5.4	1.55			10	4972	143.47	62	1.80		
165	220	8.71	5.4	1.65			12	4209	121.46	62	1.80		
191	190	7.55	5.3	1.80		13	3895	112.41	62	1.95	GK107		
219	166	6.57	5.1	1.95		14	3491	100.75	62	2.20	GKF107		
5.5kW							16	3152	90.96	62	2.40	GKA107	4P
0.9	53593	1628	153	0.80		17	2863	82.61	62	2.60	GKAF107		
1.1	43651	1326	165	0.95		20	2540	73.30	62	2.90			
1.2	41050	1247	171	1.05		22	2305	66.52	62	3.20			
1.4	34137	1037	171	1.25	GK187R97	25	1981	57.17	62	3.70			
1.5	30780	935	171	1.45	GKA187R97	12	4294	123.93	38	0.95	GK97	4P	
1.7	27850	846	171	1.60		14	3643	105.13	38	1.10	GKF97		
2.4	20081	610	171	2.00		15	3354	96.80	38	1.20	GKA97		
2.6	18369	558	171	2.40		17	2998	86.52	38	1.35	GKAF97		
1.3	36014	1094	135	0.85		18	2699	77.89	38	1.50			
1.6	30582	929	135	1.00		20	2444	70.54	38	1.65			
1.7	27586	838	135	1.15		23	2167	62.55	38	1.85	GK97	4P	
1.9	24492	744	135	1.25	GK167R97	25	1960	56.55	38	2.10	GKF97		
2.3	20673	628	135	1.50	GKA167R97	30	1661	47.93	37	2.40	GKA97		
2.6	18139	551	135	1.70		34	1451	41.87	37	2.70	GKAF97		
3.0	15571	473	135	2.00		38	1327	38.29	37	3.00			
3.4	13826	420	135	2.30		42	1186	34.22	37	3.30			
2.2	21891	665	104	0.80		17	2992	86.34	25	0.85		4P	
2.5	18764	570	106	0.95	GK157R97	18	2749	79.34	26	0.95	GK87		
2.8	16789	510	107	1.05	GKF157R97	20	2442	70.46	26	1.05	GKF87		
3.3	14386	437	108	1.25	GKA157R97	23	2183	63.00	26	1.15	GKA87		
3.8	12542	381	109	1.45	GKAF157R97	25	1963	56.64	26	1.30	GKAF87		
4.2	11193	340	109	1.60		29	1703	49.16	26	1.50		4P	
3.4	13925	423	74	0.95		33	1525	44.02	25	1.60			
3.9	12147	369	76	1.05		39	1265	36.52	25	1.85	GK87		
4.3	10962	333	76	1.20	GK127R87	46	1087	31.38	24	2.30	GKF87		
5.0	9514	289	77	1.35	GKF127R87	52	966	27.87	23	2.50	GKA87		
5.7	8362	254	77	1.55	GKA127R87	58	864	24.92	23	2.80	GKAF87		
6.7	7045	214	78	1.85	GKAF127R87	64	776	22.40	23	3.00			
7.1	6650	202	78	1.95		74	674	19.44	23	3.30			
8.6	5530	168	78	2.35									
9.8	4839	147	78	2.70									

选型参数表
(恒功率)

Selection Table
(Constant Power)

n_a [r/min]	M_a [Nm]	i	F_{ra} [kN]	f_B	机型号 Type size	极数 Pole	n_a [r/min]	M_a [Nm]	i	F_{ra} [kN]	f_B	机型号 Type size	极数 Pole
5.5kW							7.5kW						
32	1568	45.24	14	0.95			4.3	14948	333	72	0.90		
36	1390	40.10	15	1.05	GK77		5.0	12973	289	75	1.00		
47	1072	30.93	17	1.35	GKF77	4P	5.7	11402	254	76	1.15	GK127R87	
49	1016	29.31	17	1.45	GKA77		6.7	9606	214	77	1.35	GKF127R87	4P
56	889	25.66	18	1.65	GKAF77		7.1	9068	202	77	1.45	GKA127R87	
62	801	23.11	18	1.85			8.6	7542	168	78	1.75	GKAF127R87	
71	703	20.28	18	2.00			9.8	6599	147	78	2.00		
80	620	17.89	18	2.20			4.5	15109	159.88	135	1.95	GK167	
91	550	15.86	18	2.40	GK77		5.0	13699	144.96	135	2.20	GKA167	8P
106	469	13.54	18	2.70	GKF77		5.6	12252	129.64	135	2.40		
117	428	12.36	17	2.20	GKA77	4P	6.1	11215	159.88	135	2.60	GK167	
133	376	10.84	17	2.50	GKAF77		6.7	10169	144.96	135	2.95	GKA167	6P
150	332	9.57	17	2.80			7.5	9094	129.64	135	3.20		
170	294	8.48	17	3.00			6.4	10694	152.45	109	1.60		
199	251	7.24	17	3.30			7.9	8646	123.25	110	1.95	GK157	
60	831	23.99	9.2	0.90			9.7	7006	99.87	110	2.40	GKF157	6P
64	785	22.66	10	0.95	GK67		11	6477	92.33	110	2.60	GKA157	
75	668	19.29	11	1.05	GKF67	4P	12	5664	80.75	110	3.00	GKAF157	
82	607	17.53	11	1.15	GKA67		7	9476	135.09	77	1.30	GK127	
95	526	15.19	11	1.25	GKAF67		8	8572	122.20	77	1.40	GKF127	6P
109	458	13.22	12	1.40			9	7692	109.66	77	1.60	GKA127	
115	432	12.48	12	1.15			11	6250	89.10	78	1.95	GKAF127	
135	368	10.63	12	1.30	GK67		9.7	7043	149.04	78	1.80		
149	335	9.66	12	1.35	GKF67	4P	11	6383	135.09	78	1.90	GK127	
172	290	8.37	11	1.45	GKA67		12	5774	122.20	78	2.10	GKF127	
198	252	7.28	11	1.55	GKAF67		13	5182	109.66	78	2.40	GKA127	4P
82	609	17.57	4.8	0.85			16	4210	89.10	78	2.90	GKAF127	
95	527	15.22	4.9	0.95			18	3838	81.23	78	3.20		
109	459	13.25	5.0	1.05	GK57		20	3346	70.82	78	3.70		
121	413	11.92	4.7	0.95	GKF57							GK107	
128	390	11.26	4.7	1.00	GKA57	4P	10	6779	143.47	62	1.10	GKF107	4P
150	332	9.59	4.7	1.15	GKAF57		12	5739	121.46	62	1.30	GKA107	
165	302	8.71	4.7	1.20			13	5312	112.41	62	1.40	GKAF107	
191	262	7.55	4.7	1.30			14	4761	100.75	62	1.60		
219	228	6.57	4.7	1.45			16	4298	90.96	61	1.75		
7.5kW							17	3904	82.61	60	1.95	GK107	
1.7	37483	835	171	1.30	GK187R107		20	3464	73.30	59	2.20	GKF107	4P
2.0	32680	728	171	1.50	GKA187R107	4P	22	3143	66.52	58	2.40	GKA107	
2.4	26575	592	171	1.75			25	2701	57.17	56	2.80	GKAF107	
1.3	48167	1073	163	0.90			29	2358	49.90	55	3.10		
1.5	41972	935	171	1.05			34	2000	42.33	53	3.50		
1.7	37977	846	171	1.15	GK187R97	4P	39	1748	37.00	51	3.90		
2.4	27383	610	171	1.45	GKA187R97		15	4574	96.80	36	0.90		
2.6	25049	558	171	1.75			17	4088	86.52	36	1.00	GK97	
3.0	21233	473	171	2.10			18	3681	77.89	36	1.10	GKF97	4P
1.7	37618	838	135	0.85			20	3333	70.54	36	1.20	GKA97	
1.9	33398	744	135	0.90			23	2956	62.55	36	1.35	GKAF97	
2.3	28191	628	135	1.10	GK167R97		25	2672	56.55	35	1.50		
2.6	24734	551	135	1.25	GKA167R97	4P	30	2265	47.93	35	1.80		
3.0	21233	473	135	1.45			34	1978	41.87	34	2.00	GK97	
3.4	18854	420	135	1.65			38	1809	38.29	33	2.20	GKF97	4P
4.0	16250	362	135	1.90			42	1617	34.22	33	2.50	GKA97	
3.3	19617	437	106	0.95	GK157R97		47	1456	30.81	17	2.75	GKAF97	
3.8	17103	381	107	1.05	GKF157R97	4P	52	1318	27.90	17	3.00		
4.2	15263	340	108	1.20	GKA157R97		58	1169	24.74	17	3.30		
4.9	13153	293	108	1.40	GKAF157R97								

选型参数表
(恒功率)

Selection Table
(Constant Power)

n_a [r/min]	Ma [Nm]	i	F_{ra} [kN]	f_B	机型号 Type size	极数 Pole	n_a [r/min]	Ma [Nm]	i	F_{ra} [kN]	f_B	机型号 Type size	极数 Pole
7.5kW							11.0kW						
23	2977	63.00	23	0.85			6.1	16449	159.88	135	1.80	GK167	
25	2676	56.64	23	0.95	GK87		6.7	14914	144.96	135	2.05	GKA167	6P
29	2323	49.16	23	1.10	GKF87	4P	7.5	13338	129.64	135	2.20		
33	2080	44.02	23	1.20	GKA87		9.1	10929	159.88	135	2.70	GK167	
39	1726	36.52	23	1.35	GKAF87		10	9909	144.96	135	3.05	GKA167	4P
46	1483	31.38	22	1.70			11	8861	129.64	135	3.30		
52	1317	27.87	22	1.85			5.9	16849	123.25	107	1.00	GK157	
58	1178	24.92	22	2.00	GK87		7.3	13653	99.87	108	1.25	GKF157	8P
64	1058	22.40	21	2.00	GKF87	4P	7.9	12622	92.33	108	1.35	GKA157	
74	919	19.44	21	2.40	GKA87		9.0	11039	80.75	109	1.55	GKAF157	
83	823	17.41	20	2.50	GKAF87		6.4	15685	152.45	107	1.10		
90	756	16.00	20	2.20			7.9	12680	123.25	108	1.35	GK157	
100	683	14.45	20	2.90			9.7	10275	99.87	109	1.65	GKF157	6P
115	593	12.56	20	3.30			10.5	9499	92.33	110	1.80	GKA157	
47	1462	30.93	15	1.00			12.0	8308	80.75	110	2.10	GKAF157	
49	1385	29.31	15	1.05	GK77		9.6	10421	152.45	109	1.65	GK157	
56	1213	25.66	16	1.20	GKF77	4P	12	8425	123.25	110	2.00	GKF157	4P
62	1092	23.11	17	1.35	GKA77		15	6827	99.87	110	2.50	GKA157	
71	958	20.28	17	1.50	GKAF77		16	6311	92.33	110	2.70	GKAF157	
80	845	17.89	18	1.60			11	9234	135.09	77	1.30		
91	749	15.86	17	1.75			12	8353	122.20	77	1.45		
106	640	13.54	17	2.00	GK77		13	7496	109.66	77	1.60	GK127	4P
117	584	12.36	16	1.60	GKF77	4P	16	6090	89.10	78	2.00	GKF127	
133	512	10.84	16	1.80	GKA77		18	5552	81.23	78	2.20	GKA127	
150	452	9.57	15	1.95	GKAF77		21	4841	70.82	78	2.50	GKAF127	
170	401	8.48	15	2.10			23	4259	62.31	78	2.80		
199	342	7.24	15	2.30			28	3620	52.96	78	3.20		
11.0kW							13	7684	112.41	55	1.00	GK107	
1.7	54222	835	162	0.90			14	6887	100.75	55	1.10	GKF107	4P
2.0	47274	728	171	1.05			16	6218	90.96	55	1.20	GKA107	
2.5	38443	592	171	1.20	GK187R107	4P	18	5647	82.61	55	1.35	GKAF107	
3.2	29222	450	171	1.45	GKA187R107		20	5010	73.30	54	1.50		
3.7	25520	393	171	1.65			22	4547	66.52	53	1.65		
4.1	23053	355	171	2.10			26	3908	57.17	52	1.90	GK107	4P
2.4	39611	610	171	1.00	GK187R97		29	3411	49.90	51	2.20	GKF107	
2.6	36235	558	171	1.20	GKA187R97	4P	34	2893	42.33	50	2.40	GKA107	
3.1	30715	473	171	1.40			39	2529	37.00	49	2.70	GKAF107	
4.9	19481	300	135	1.50			45	2234	32.68	49	3.00		
5.6	17013	262	135	1.70	GK167R107		47	2138	31.28	48	3.00		
6.1	15650	241	135	1.95	GKA167R107	4P	50	1982	28.99	48	3.20		
6.9	13702	211	135	2.30			21	4822	70.54	31	0.85	GK97	
7.5	12598	194	135	2.30			23	4276	62.55	31	0.95	GKF97	4P
2.6	35780	551	135	0.85			26	3865	56.55	31	1.05	GKA97	
3.1	30715	473	135	1.00	GK167R97	4P	30	3276	47.93	31	1.25	GKAF97	
3.5	27273	420	135	1.15	GKA167R97		35	2862	41.87	31	1.40		
4.0	23507	362	135	1.30			38	2617	38.29	30	1.55		
					GK157R97		43	2339	34.22	30	1.70		
4.3	22078	340	104	0.80	GKF157R97	4P	47	2106	30.81	30	1.90	GK97	
5.0	19026	293	106	0.95	GKA157R97		52	1907	27.90	29	2.10	GKF97	4P
					GKAF157R97		59	1691	24.74	29	2.40	GKA97	
6.8	13896	214	74	0.95	GK127R87		65	1529	22.37	28	2.60	GKAF97	
7.2	13117	202	75	1.00	GKF127R87	4P	77	1296	18.96	28	3.00		
8.7	10909	168	76	1.20	GKA127R87		88	1132	16.56	28	3.30		
9.9	9546	147	77	1.35	GKAF127R87		105	947	13.85	28	3.80		
5.6	17723	129.64	135	1.60	GK167		33	3009	44.02	19	0.80		
6.3	15951	116.68	135	1.85	GKA167	8P	40	2496	36.52	19	0.95	GK87	
6.7	14859	108.69	135	2.00			47	2145	31.38	20	1.20	GKF87	4P
							52	1905	27.87	20	1.30	GKA87	
							59	1703	24.92	19	1.40	GKAF87	

选型参数表
(恒功率)

Selection Table
(Constant Power)

n_a [r/min]	Ma [Nm]	i	F_{ra} [kN]	f_B	机型号 Type size	极数 Pole	n_a [r/min]	Ma [Nm]	i	F_{ra} [kN]	f_B	机型号 Type size	极数 Pole
11.0kW							15.0kW						
65	1531	22.40	19	1.40			11	12592	135.09	75	0.95	GK127	
75	1329	19.44	19	1.60			12	11390	122.20	76	1.10	GKF127	4P
84	1190	17.41	19	1.75			13	10221	109.66	76	1.20	GKA127	
91	1094	16.00	18	1.55	GK87							GKAF127	
101	988	14.45	18	2.00	GKF87	4P	16	8305	89.10	77	1.45		
116	859	12.56	18	2.20	GKA87		18	7571	81.23	77	1.60	GK127	
131	763	11.16	17	1.85	GKAF87		21	6601	70.82	78	1.85	GKF127	4P
146	684	10.00	17	2.10			23	5808	62.31	76	2.10	GKA127	
176	567	8.29	16	2.30			28	4936	52.96	74	2.50	GKAF127	
202	493	7.21	16	2.50			31	4348	46.65	72	2.80		
63	1580	23.11	14	0.90			36	3768	40.42	72	3.20		
72	1386	20.28	15	1.00			16	8478	90.96	48	0.90	GK107	
82	1223	17.89	16	1.10			18	7700	82.61	49	1.00	GKF107	4P
92	1084	15.86	16	1.20	GK77		20	6832	73.30	49	1.10	GKA107	
108	926	13.54	15	1.35	GKF77	4P	22	6200	66.52	48	1.25	GKAF107	
118	845	12.36	15	1.10	GKA77		26	5329	57.17	48	1.45		
135	741	10.84	15	1.25	GKAF77		29	4651	49.90	48	1.60		
153	654	9.57	14	1.35			34	3946	42.33	47	1.75	GK107	
172	580	8.48	14	1.45			39	3449	37.00	46	2.00	GKF107	
202	495	7.24	14	1.55			45	3046	32.68	45	2.20	GKA107	4P
15.0kW							15.0kW						
2.5	52422	592	161	0.90			47	2915	31.28	44	2.20		
3.2	39848	450	171	1.05	GK187R107	4P	50	2702	28.99	44	2.50	GKAF107	
3.7	34800	393	171	1.20	GKA187R107		55	2452	26.31	44	2.70		
4.1	31435	355	171	1.55			65	2107	22.61	44	3.20		
6.5	20012	226	171	2.10			30	4468	47.93	27	0.90		
4.9	26565	300	135	1.10			35	3903	41.87	27	1.05	GK97	
5.6	23200	262	135	1.30			38	3569	38.29	27	1.15	GKF97	4P
6.1	21341	241	135	1.45	GK167R107		43	3190	34.22	27	1.30	GKA97	
6.9	18684	211	135	1.65	GKA167R107	4P	47	2872	30.81	27	1.40	GKAF97	
7.5	17179	194	135	1.75			52	2601	27.90	27	1.55		
8.2	15762	178	135	1.95			59	2306	24.74	27	1.75		
9.7	13371	151	135	2.20			65	2085	22.37	26	1.95	GK97	
6.2	20809	235	105	0.85			77	1767	18.96	26	2.30	GKF97	4P
6.8	19127	216	106	0.95	GK157R107		88	1544	16.56	25	2.70	GKA97	
7.7	16825	190	107	1.05	GKF157R107	4P	105	1291	13.85	25	3.00	GKAF97	
9.2	14079	159	108	1.30	GKA157R107		122	1118	11.99	25	3.30		
12	10980	124	109	1.65	GKAF157R107		140	970	10.41	25	3.80		
14	9563	108	110	1.90			168	812	8.71	25	4.50		
5.5	24804	176.80	171	1.90	GK187	6P	47	2925	31.38	16	0.90		
6.0	22532	160.60	171	2.10	GKA187		52	2598	27.87	17	0.95	GK87	
7.5	18188	129.64	135	1.60	GK167	6P	59	2323	24.92	17	1.00	GKF87	4P
8.3	16370	116.68	135	1.85	GKA167		65	2088	22.40	17	1.05	GKA87	
8.9	15249	108.69	135	1.95			75	1812	19.44	17	1.20	GKAF87	
9.1	14903	159.88	135	2.00	GK167	4P	84	1623	17.41	17	1.30		
10	13512	144.96	135	2.25	GKA167		91	1491	16.00	16	1.15		
11	12084	129.64	135	2.40			101	1347	14.45	17	1.50	GK87	
7.9	17292	123.25	107	1.00	GK157		116	1171	12.56	17	1.60	GKF87	4P
9.7	14011	99.87	108	1.20	GKF157		131	1040	11.16	16	1.35	GKA87	
11	12954	92.33	108	1.35	GKA157	6P	146	932	10.00	16	1.55	GKAF87	
12	11329	80.75	109	1.55	GKAF157		176	773	8.29	15	1.70		
14	9540	68.00	109	1.75			202	672	7.21	15	1.85		
9.6	14210	152.45	108	1.20			18.5kW						
12	11488	123.25	109	1.50	GK157		3.3	48811	450	159	0.85		
15	9309	99.87	108	1.85	GKF157	4P	3.7	42628	393	171	1.00	GK187R107	
16	8606	92.33	107	2.00	GKA157		4.1	38506	355	171	1.25	GKA187R107	4P
18	7527	80.75	104	2.30	GKAF157		6.5	24514	226	171	1.70		
21	6338	68.00	104	2.70			7.7	20718	191	171	2.00		
24	5719	61.36	104	3.00									

选型参数表
(恒功率)

Selection Table
(Constant Power)

n_a [r/min]	Ma [Nm]	i	F_{ra} [kN]	f_B	机型号 Type size	极数 Pole	n_a [r/min]	Ma [Nm]	i	F_{ra} [kN]	f_B	机型号 Type size	极数 Pole
18.5kW							18.5kW						
4.9	32541	300	135	0.90			35	4833	42.33	44	1.45		
5.6	28419	262	135	1.05			40	4225	37.00	43	1.60		
6.1	26141	241	135	1.20			45	3731	32.68	43	1.85	GK107	
7.0	22887	211	135	1.35	GK167R107		47	3548	31.28	43	1.80		
7.6	21043	194	135	1.40	GKA167R107	4P	51	3310	28.99	42	2.10	GKF107	4P
8.3	19307	178	135	1.60			56	3004	26.31	42	2.30	GKA107	
9.7	16379	151	135	1.80			65	2582	22.61	41	2.60	GKAF107	
11	13884	128	135	2.10			74	2254	19.74	40	3.00		
13	12149	112	135	2.40			88	1911	16.74	38	3.50		
7.7	20609	190	105	0.90	GK157R107		35	4781	41.87	24	0.85	GK97	
9.2	17247	159	107	1.05	GKF157R107	4P	48	3518	30.81	25	1.15	GKF97	4P
12	13450	124	108	1.35	GKA157R107		53	3186	27.90	25	1.30	GKA97	
14	11715	108	107	1.55	GKAF157R107		59	2825	24.74	25	1.45	GKAF97	
5.5	30592	176.80	171	1.55			66	2554	22.37	25	1.60		
6.0	27789	160.60	171	1.65	GK187	6P	78	2165	18.96	24	1.90	GK97	
6.7	24868	143.72	171	1.90	GKA187		89	1891	16.56	24	2.20	GKF97	
7.3	23013	133.00	171	2.10			106	1581	13.85	24	2.60	GKA97	4P
8.3	20187	176.80	171	2.30			123	1369	11.99	23	2.70	GKAF97	
9.2	18337	160.60	171	2.50	GK187	4P	141	1189	10.41	23	3.00		
10	16410	143.72	171	2.90	GKA187		169	994	8.71	23	3.50		
11	15186	133.00	171	3.20			59	2845	24.92	15	0.85		
10	16551	144.96	135	1.70			66	2558	22.40	15	0.85		
11	14802	129.64	135	1.95			76	2220	19.44	15	1.00		
13	13322	116.68	135	2.25	GK167	4P	84	1988	17.41	16	1.05	GK87	
14	12410	108.69	135	2.40	GKA167		102	1650	14.45	16	1.20	GKF87	4P
15	11034	96.64	135	2.70			117	1434	12.56	16	1.30	GKA87	
17	9786	85.71	135	3.00			132	1274	11.16	15	1.10	GKAF87	
9.7	15976	99.87	106	1.00	GK157		147	1142	10.00	15	1.25		
11	13972	92.33	107	1.10	GKF157	6P	177	947	8.29	14	1.40		
12	11766	80.75	106	1.25	GKA157		204	823	7.21	14	1.50		
14	21326	68.00	104	1.40	GKAF157		22kW						
12	14072	123.25	106	1.20			3.7	50693	393	155	0.85		
15	11403	99.87	104	1.50			4.1	45791	355	171	1.05		
16	10542	92.33	102	1.65			6.5	29152	226	171	1.45	GK187R107	4P
18	9220	80.75	100	1.85	GK157		7.7	24637	191	171	1.70	GKA187R107	
22	7764	68.00	98	2.10	GKF157	4P	8.8	21541	167	171	1.95		
24	7006	61.36	96	2.50	GKA157		10	18188	141	171	2.30		
27	6262	54.84	94	2.80	GKAF157		5.6	33795	262	135	0.85		
31	5445	47.69	91	3.20			6.1	31087	241	135	1.00		
38	4418	38.69	87	3.90			7.0	27217	211	135	1.15		
					GK127		7.6	25024	194	135	1.20	GK167R107	4P
13	12521	109.66	75	1.00	GKF127	4P	8.3	22960	178	135	1.35	GKA167R107	
16	10173	89.10	75	1.20	GKA127		9.7	19477	151	135	1.50		
18	9275	81.23	75	1.30	GKAF127		11	16511	128	135	1.80		
21	8086	70.82	74	1.50			13	14447	112	135	2.10		
24	7114	62.31	73	1.70			GK157R107						
28	6047	52.96	71	2.00	GK127		9.2	20509	159	104	0.90	GKF157R107	4P
32	5326	46.65	70	2.20	GKF127	4P	12	15995	124	103	1.15	GKA157R107	
36	4615	40.42	68	2.70	GKA127		14	13931	108	102	1.30	GKAF157R107	
41	4142	36.28	66	3.00	GKAF127		5.5	36380	176.80	171	1.30		
46	3611	31.63	65	3.40			6.0	33046	160.60	171	1.40		
53	3178	27.83	63	3.90			6.7	29573	143.72	171	1.60	GK187	6P
20	8369	73.30	44	0.90	GK107		7.3	27367	133.00	171	1.80	GKA187	
22	7595	66.52	44	1.00	GKF107	4P	8.2	24410	118.63	171	1.90		
26	6528	57.17	44	1.15	GKA107		9.6	20890	101.52	171	2.10		
29	5697	49.90	44	1.30	GKAF107		8.3	24006	176.80	171	1.95		
							9.2	21806	160.60	171	2.10	GK187	
							10	19514	143.72	171	2.40	GKA187	4P
							11	18059	133.00	171	2.70		

选型参数表
(恒功率)

Selection Table
(Constant Power)

n_a [r/min]	M_a [Nm]	i	F_{ra} [kN]	f_B	机型号 Type size	极数 Pole	n_a [r/min]	M_a [Nm]	i	F_{ra} [kN]	f_B	机型号 Type size	极数 Pole
22kW							22kW						
11	17602	129.64	135	1.65			76	2640	19.44	14	0.80		
13	15843	116.68	135	1.90			84	2364	17.41	14	0.90		
14	14758	108.69	135	2.00	GK167	4P	102	1962	14.45	14	1.00	GK87	
15	13122	96.64	135	2.20	GKA167		117	1705	12.56	15	1.10	GKF87	4P
17	11638	85.71	135	2.50			132	1515	11.16	13	0.95	GKA87	
19	10402	76.61	135	2.90			147	1358	10.00	13	1.05	GKAF87	
9.7	20550	99.87	101	0.85			177	1126	8.29	14	1.20		
11	18999	92.33	101	0.90	GK157		204	979	7.21	13	1.25		
12	16616	80.75	100	1.05	GKF157	6P	30kW						
14	13992	68.00	99	1.20	GKA157		6.5	39752	226	171	1.05		
16	12626	61.36	98	1.35	GKAF157		7.7	33596	191	171	1.25	GK187R107	4P
12	16735	123.25	100	1.05			8.8	29375	167	171	1.45	GKA187R107	
15	13560	99.87	99	1.25			10	24801	141	171	1.70		
16	12536	92.33	98	1.35	GK157		7.0	37114	211	135	0.85		
18	10964	80.75	97	1.55	GKF157		7.6	34124	194	135	0.85		
22	9233	68.00	95	1.80	GKA157	4P	8.3	31309	178	135	1.00	GK167R107	4P
24	8331	61.36	93	2.10	GKAF157		9.7	26560	151	135	1.10	GKA167R107	
27	7446	54.84	91	2.30			11	22515	128	135	1.30		
31	6475	47.69	89	2.70			13	19700	112	135	1.50		
38	5253	38.69	85	3.30			8.3	32735	176.80	171	1.45		
16	12098	89.10	70	1.00	GK127		9.2	29736	160.60	171	1.55		
18	11029	81.23	70	1.10	GKF127	4P	10	26610	143.72	171	1.75		
21	9616	70.82	70	1.30	GKA127		11	24625	133.00	171	2.00	GK187	4P
24	8460	62.31	69	1.45	GKAF127		12	21965	118.63	171	2.22	GKA187	
28	7191	52.96	67	1.70			14	18797	101.52	171	2.30		
32	6334	46.65	67	1.90			16	16842	90.96	171	2.50		
36	5488	40.42	66	2.30	GK127		20	13566	73.27	171	2.90		
41	4926	36.28	64	2.50	GKF127	4P	13	21604	116.68	135	1.30		
46	4295	31.63	63	2.90	GKA127		14	20124	108.69	135	1.50		
53	3779	27.83	61	3.30	GKAF127		15	17893	96.64	135	1.70		
62	3211	23.65	60	3.80			17	15869	85.71	135	1.85	GK167	4P
71	2828	20.83	58	4.30			19	14185	76.61	135	2.10	GKA167	
					GK107		22	12524	67.64	135	2.40		
26	7762	57.17	41	1.00	GKF107	4P	24	11172	60.34	135	2.70		
29	6775	49.90	41	1.10	GKA107		29	9426	50.91	135	3.20		
35	5748	42.33	41	1.20	GKAF107		15	18491	99.87	88	0.90		
40	5024	37.00	41	1.35			16	17095	92.33	88	1.00		
45	4437	32.68	41	1.55			18	14951	80.75	88	1.15	GK157	
47	4220	31.28	41	1.50			22	12590	68.00	87	1.30	GKF157	4P
51	3936	28.99	40	1.75			24	11361	61.36	86	1.50	GKA157	
56	3572	26.31	40	1.90			27	10154	54.84	85	1.70	GKAF157	
65	3070	22.61	39	2.20	GK107		31	8830	47.69	83	1.95		
74	2680	19.74	38	2.50	GKF107	4P	38	7164	38.69	81	2.40		
88	2273	16.74	37	2.90	GKA107		47	5840	31.54	78	3.00		
100	1986	14.63	36	3.30	GKAF107		21	13113	70.82	61	0.95		
109	1824	13.43	35	2.20			24	11537	62.31	61	1.05		
125	1591	11.72	34	2.60			28	9806	52.96	61	1.25		
148	1350	9.94	33	2.90			32	8637	46.65	61	1.40	GK127	
169	1180	8.69	32	3.20			36	7484	40.42	61	1.65	GKF127	4P
48	4183	30.81	22	0.95	GK97		41	6717	36.28	60	1.85	GKA127	
53	3788	27.90	23	1.05	GKF97	4P	46	5856	31.63	59	2.10	GKAF127	
59	3359	24.74	23	1.20	GKA97		53	5153	27.83	58	2.40		
66	3037	22.37	23	1.35	GKAF97		62	4379	23.65	57	2.80		
78	2574	18.96	23	1.60			71	3857	20.83	56	3.00		
89	2248	16.56	23	1.80	GK97		81	3342	18.05	56	3.50		
106	1881	13.85	23	2.20	GKF97	4P	35	7838	42.33	34	0.90	GK107	
123	1628	11.99	22	2.30	GKA97		40	6851	37.00	36	1.00	GKF107	4P
141	1413	10.41	21	1.90	GKAF97		47	5792	31.28	34	1.10	GKA107	
169	1183	8.71	20	2.10								GKAF107	

选型参数表
(恒功率)

Selection Table
(Constant Power)

n_a [r/min]	M_a [Nm]	i	F_{ra} [kN]	f_b	机型号 Type size	极数 Pole	n_a [r/min]	M_a [Nm]	i	F_{ra} [kN]	f_b	机型号 Type size	极数 Pole
30kW							37kW						
51	5368	28.99	36	1.25			41	8229	36.28	56	1.50		
56	4871	26.31	36	1.40			47	7174	31.63	56	1.70		
65	4186	22.61	36	1.65			53	6312	27.83	55	1.95		
74	3655	19.74	36	1.85	GK107		63	5364	23.65	54	2.30	GK127	
88	3099	16.74	35	2.20	GKF107		71	4725	20.83	53	2.60	GKF127	
100	2709	14.63	34	2.40	GKA107	4P	82	4094	18.05	52	3.00	GKA127	4P
109	2487	13.43	33	1.65	GKAF107		103	3257	14.36	50	3.50	GKAF127	
125	2170	11.72	32	1.90			115	2919	12.87	48	2.80		
148	1840	9.94	31	2.20			133	2529	11.15	46	3.10		
169	1609	8.69	31	2.40			167	2012	8.87	44	3.50		
59	4581	24.74	19	0.90			40	8392	37.00	28	0.80		
66	4142	22.37	19	1.00			47	7096	31.28	30	0.90		
78	3511	18.96	20	1.15	GK97		51	6575	28.99	32	1.05		
89	3066	16.56	20	1.35	GKF97		56	5967	26.31	33	1.15		
106	2564	13.85	20	1.60	GKA97	4P	65	5128	22.61	33	1.30	GK107	
123	2220	11.99	20	1.65	GKAF97		75	4477	19.74	33	1.50	GKF107	
141	1927	10.41	19	1.40			88	3797	16.74	33	1.75	GKA107	4P
169	1613	8.71	18	1.55			101	3318	14.63	32	1.95	GKAF107	
37kW							45kW						
6.5	48697	226	158	0.85			7.7	50054	191	155	0.85	GK187R107	4P
7.7	41155	191	171	1.00	GK187R107	4P	8.9	43764	167	167	0.95	GKA187R107	4P
8.9	35984	167	171	1.15	GKA187R107		10	36951	141	171	1.15		
10	30382	141	171	1.40			12	33544	128	135	0.85	GK167R107	4P
8.3	38354	178	135	0.80			13	29351	112	135	1.00	GKA167R107	4P
10	32536	151	135	9.00	GK167R107	4P	8	46332	176.80	167	0.95		
12	27580	128	135	1.05	GKA167R107		9	42087	160.60	171	1.05		
13	24133	112	135	1.20			10	37663	143.72	171	1.20		
8.4	40100	176.80	171	1.15			11	34854	133.00	171	1.30		
9.2	36426	160.60	171	1.25			12	31086	118.62	171	1.45	GK187	
10	32597	143.72	171	1.45			15	26604	101.52	171	1.50	GKA187	4P
11	30166	133.00	171	1.60	GK187		16	23837	90.96	171	1.65		
12	26904	118.62	171	1.75	GKA187	4P	20	19201	73.27	171	1.95		
15	23026	101.52	171	1.85			22	17537	66.92	169	2.30		
16	20631	90.96	171	2.00			24	15873	60.57	160	2.50		
20	16619	73.27	171	2.40			28	14091	53.77	160	2.80		
22	15178	66.92	171	2.60			14	28483	108.69	135	1.00		
14	24652	108.69	135	1.20			15	25326	96.64	135	1.10		
15	21919	96.64	135	1.35			17	22461	85.71	135	1.25		
17	19440	85.71	135	1.50			19	20076	76.61	135	1.40		
19	17376	76.61	135	1.70			22	17726	67.64	135	1.60	GK167	
22	15342	67.64	135	1.95	GK167	4P	25	15813	60.34	134	1.80	GKA167	4P
25	13686	60.34	135	2.20	GKA167		29	13341	50.91	130	2.10		
29	11547	50.91	135	2.60			36	10650	40.64	127	2.60		
36	9218	40.64	135	3.20			41	9487	36.20	120	2.80		
16	20942	92.33	79	0.80	GK157		44	8847	33.76	120	3.00		
18	18315	80.75	80	0.95	GKF157	4P	22	18758	68.00	73	0.85		
					GKA157		24	16926	61.36	74	1.00		
					GKAF157		27	15128	54.84	74	1.15		
22	15423	68.00	81	1.05			31	13155	47.69	74	1.30	GK157	
24	13917	61.36	80	1.25	GK157		38	10673	38.69	73	1.60	GKF157	
27	12438	54.84	80	1.40	GKF157		47	8700	31.54	72	1.95	GKA157	4P
31	10817	47.69	79	1.60	GKA157	4P	56	7327	26.56	71	2.20	GKAF157	
38	8775	38.69	77	1.95	GKAF157		62	6612	23.97	69	2.60		
47	7154	31.54	75	2.40			69	5909	21.42	68	2.90		
56	6024	26.56	75	2.80			79	5136	18.62	66	3.30		
24	14133	62.31	55	0.85	GK127								
28	12012	52.96	56	1.00	GKF127								
32	10581	46.65	56	1.15	GKA127	4P							
37	9168	40.42	56	1.35	GKAF127								

选型参数表
(恒功率)

Selection Table
(Constant Power)

n_a [r/min]	M_a [Nm]	i	F_{ra} [kN]	f_B	机型号 Type size	极数 Pole	n_a [r/min]	M_a [Nm]	i	F_{ra} [kN]	f_B	机型号 Type size	极数 Pole																																																																																																																																																																																																																																																																																																																																																																																																																																																																																																																																																																																																																																																																																																								
45kW							55kW																																																																																																																																																																																																																																																																																																																																																																																																																																																																																																																																																																																																																																																																																																														
32	12869	46.65	50	0.95	GK127	4P	63	7974	23.65	47	1.55	GK127 GKF127 GKA127 GKAF127	4P																																																																																																																																																																																																																																																																																																																																																																																																																																																																																																																																																																																																																																																																																																								
37	11150	40.42	51	1.10	GKA127		41	10008	36.28	51	1.25			GKAF127	47	8725	31.63	52	1.40		53	7677	27.83	51	1.60			63	6524	23.65	51	1.85			71	5746	20.83	51	2.10	GK127		82	4979	18.05	50	2.50	GKF127		103	3961	14.36	48	2.90	GKA127		115	3550	12.87	46	2.30	GKAF127		133	3076	11.15	45	2.50			167	2447	8.87	43	2.80			51	7997	28.99	24	0.85	GK107	4P	75kW							56	7258	26.31	27	0.95	GKF107	11	61147	133.00	148	0.80	GK187 GKA187	4P	65	6237	22.61	29	1.10	GKA107	12	54536	118.62	148	0.85	75	5445	19.74	30	1.25	GKAF107	15	46674	101.52	149	0.90	88	4618	16.74	30	1.45		16	41819	90.96	150	1.00	101	4036	14.63	30	1.60	GK107		20	33686	73.27	150	1.15	GK167 GKA167	4P	110	3705	13.43	28	1.10	GKF107	22	30767	66.92	149	1.40	126	3233	11.72	28	1.25	GKA107	24	27847	60.57	147	1.60	149	2742	9.94	28	1.45	GKAF107	28	24721	53.77	144	1.95	170	2397	8.69	28	1.60			34	20082	43.68	141	2.30	55kW								37	18312	39.83	140	2.50			10	48456	143.72	169	0.95			41	16409	35.69	140	2.80			11	44841	133.00	171	1.10			19	35222	76.61	113	0.85	GK157 GKF157 GKA157 GKAF157	4P	12	39993	118.62	171	1.15			22	31098	67.64	114	0.95	15	34228	101.52	170	1.25			25	27742	60.34	115	1.10	16	30668	90.96	168	1.35	GK187	4P	29	23406	50.91	114	1.30	20	24703	73.27	166	1.60	GKA187	36	18684	40.64	113	1.55	22	22562	66.92	162	1.90		41	16643	36.20	111	1.80	24	20421	60.57	159	2.20		44	15521	33.76	109	2.10	28	18129	53.77	150	2.50			49	13848	30.12	107	2.30	34	14727	43.68	150	3.00			58	11682	25.41	105	2.70	17	28897	85.71	131	1.00			73	9324	20.28	100	3.20	19	25829	76.61	130	1.15			82	8308	18.07	100	3.60	22	22805	67.64	129	1.30			38	17788	38.69	58	1.00	25	20344	60.34	128	1.50			47	14501	31.54	59	1.20	29	17164	50.91	125	1.75	GK167	4P	56	12211	26.56	59	1.35	36	13702	40.64	121	2.10	GKA167	62	11020	23.97	59	1.55	41	12205	36.20	119	2.50		69	9848	21.42	59	1.75	44	11382	33.76	118	2.70		79	8561	18.62	59	2.00	49	10155	30.12	118	3.00			98	6947	15.11	57	2.50	58	8567	25.41	118	3.50			113	5995	13.04	56	2.80	24	20688	61.36	66	0.85			47	14542	31.63	37	0.85	27	18490	54.84	67	0.95			53	12795	27.83	39	0.95	31	16079	47.69	68	1.10			63	10873	23.65	40	1.10	38	13044	38.69	68	1.35	GK157	4P	71	9577	20.83	41	1.25	47	10634	31.54	67	1.60	GKF157	82	8299	18.05	41	1.50	56	8955	26.56	67	1.85	GKA157	103	6602	14.36	42	1.75	62	8082	23.97	66	2.10	GKAF157	115	5917	12.87	39	1.40	69	7222	21.42	65	2.40			133	5126	11.15	39	1.55	79	6278	18.62	64	2.80			167	4078	8.87	38	1.70	98	5094	15.11	62	3.40			90kW							113	4396	13.04	60	3.80			16	49846	90.96	136	0.85	GK187 GKA187	4P	37	13628	40.42	45	0.90	GK127	20	40152	73.27	138	1.00	47	10664	31.63	47	1.15	GKF127	22	36672	66.92	139	1.15	53	9383	27.83	47	1.30	GKAF127	25	33193	60.57	138	1.35								28	29466	53.77	137	1.60										34	23937	43.68	134	1.90										37	21827	39.83	134	2.00										42	19558	35.69	132	2.20										52	15755	28.75	130	2.70											
41	10008	36.28	51	1.25	GKAF127		47	8725	31.63	52	1.40				53	7677	27.83	51	1.60			63	6524	23.65	51	1.85			71	5746	20.83	51	2.10	GK127		82	4979	18.05	50	2.50	GKF127		103	3961	14.36	48	2.90	GKA127		115	3550	12.87	46	2.30	GKAF127		133	3076	11.15	45	2.50			167	2447	8.87	43	2.80			51	7997	28.99	24	0.85	GK107	4P	75kW							56	7258	26.31	27	0.95	GKF107	11	61147	133.00	148	0.80	GK187 GKA187	4P	65	6237	22.61	29			1.10	GKA107	12	54536	118.62	148	0.85	75	5445	19.74	30	1.25	GKAF107	15	46674	101.52	149	0.90	88	4618	16.74	30	1.45		16	41819	90.96	150	1.00	101	4036	14.63	30	1.60	GK107		20	33686	73.27	150	1.15	GK167 GKA167	4P	110	3705			13.43	28	1.10	GKF107	22	30767	66.92	149	1.40	126	3233	11.72	28	1.25	GKA107	24	27847	60.57	147	1.60	149	2742	9.94	28	1.45	GKAF107	28	24721	53.77	144	1.95	170	2397	8.69	28	1.60			34	20082	43.68	141	2.30	55kW								37	18312	39.83	140	2.50			10	48456	143.72	169	0.95			41	16409	35.69	140	2.80			11	44841	133.00	171	1.10			19	35222	76.61	113	0.85	GK157 GKF157 GKA157 GKAF157	4P			12	39993	118.62	171	1.15			22	31098	67.64	114	0.95	15	34228	101.52	170	1.25			25	27742	60.34	115	1.10	16	30668	90.96	168	1.35	GK187		4P	29	23406	50.91	114	1.30	20	24703	73.27	166	1.60	GKA187	36	18684	40.64	113	1.55	22	22562	66.92	162	1.90		41	16643	36.20	111	1.80	24	20421	60.57	159	2.20		44	15521	33.76	109	2.10	28	18129	53.77	150	2.50			49	13848	30.12	107	2.30	34	14727	43.68	150	3.00			58	11682	25.41	105	2.70	17	28897	85.71	131	1.00			73	9324	20.28	100	3.20	19	25829	76.61	130	1.15			82	8308	18.07	100	3.60	22	22805	67.64	129	1.30			38	17788	38.69	58	1.00	25	20344	60.34	128	1.50			47	14501	31.54	59	1.20	29	17164	50.91	125	1.75		GK167	4P	56	12211	26.56	59	1.35	36	13702	40.64	121	2.10	GKA167	62	11020	23.97	59	1.55	41	12205	36.20	119	2.50		69	9848	21.42	59	1.75	44	11382	33.76	118	2.70		79	8561	18.62	59	2.00	49	10155	30.12	118	3.00			98	6947	15.11	57	2.50	58	8567	25.41	118	3.50			113	5995	13.04	56	2.80	24	20688	61.36	66	0.85			47	14542	31.63	37	0.85	27	18490	54.84	67	0.95			53	12795	27.83	39	0.95	31	16079	47.69	68	1.10			63	10873	23.65	40	1.10	38	13044	38.69	68		1.35	GK157	4P	71	9577	20.83	41	1.25	47	10634	31.54	67	1.60	GKF157	82	8299	18.05	41	1.50	56	8955	26.56	67	1.85	GKA157	103	6602	14.36	42	1.75	62	8082	23.97	66	2.10	GKAF157	115	5917	12.87	39	1.40	69	7222	21.42	65	2.40			133	5126	11.15	39	1.55	79	6278	18.62	64	2.80			167	4078	8.87	38	1.70	98	5094	15.11	62	3.40			90kW							113	4396	13.04	60	3.80			16	49846			90.96	136	0.85	GK187 GKA187	4P	37	13628	40.42	45	0.90	GK127	20	40152	73.27	138	1.00	47	10664	31.63	47	1.15	GKF127	22	36672	66.92	139	1.15	53	9383	27.83	47	1.30	GKAF127	25	33193	60.57	138	1.35								28	29466	53.77	137	1.60										34	23937	43.68	134	1.90										37	21827	39.83	134	2.00										42	19558	35.69	132	2.20										52	15755	28.75	130	2.70						
47	8725	31.63	52	1.40			53	7677	27.83	51	1.60					63	6524	23.65	51	1.85			71	5746	20.83	51	2.10	GK127		82	4979	18.05	50	2.50	GKF127		103	3961	14.36	48	2.90	GKA127		115	3550	12.87	46	2.30	GKAF127		133	3076	11.15	45	2.50			167	2447	8.87	43	2.80			51	7997	28.99	24	0.85	GK107	4P	75kW							56	7258	26.31	27		0.95	GKF107	11	61147	133.00	148	0.80	GK187 GKA187	4P	65	6237	22.61			29	1.10	GKA107	12			54536	118.62	148	0.85	75	5445	19.74	30	1.25	GKAF107	15	46674	101.52	149	0.90	88	4618	16.74	30	1.45		16	41819	90.96	150	1.00	101	4036	14.63	30	1.60	GK107		20	33686	73.27	150	1.15	GK167 GKA167	4P	110			3705	13.43			28	1.10	GKF107	22	30767	66.92	149	1.40	126	3233	11.72	28	1.25	GKA107	24	27847	60.57	147	1.60	149	2742	9.94	28	1.45	GKAF107	28	24721	53.77	144	1.95	170	2397	8.69	28	1.60			34	20082	43.68	141	2.30	55kW								37	18312	39.83	140	2.50			10	48456	143.72	169	0.95			41	16409	35.69	140	2.80			11	44841	133.00	171	1.10			19	35222	76.61	113	0.85	GK157 GKF157 GKA157 GKAF157					4P	12	39993	118.62	171	1.15			22	31098	67.64	114	0.95	15	34228	101.52	170	1.25			25	27742	60.34	115	1.10	16	30668	90.96	168	1.35			GK187	4P	29	23406	50.91	114	1.30	20	24703	73.27	166	1.60	GKA187	36	18684	40.64	113	1.55	22	22562	66.92	162	1.90		41	16643	36.20	111	1.80	24	20421	60.57	159	2.20		44	15521	33.76	109	2.10	28	18129	53.77	150	2.50			49	13848	30.12	107	2.30	34	14727	43.68	150	3.00			58	11682	25.41	105	2.70	17	28897	85.71	131	1.00			73	9324	20.28	100	3.20	19	25829	76.61	130	1.15			82	8308	18.07	100	3.60	22	22805	67.64	129	1.30			38	17788	38.69	58	1.00	25	20344	60.34	128	1.50			47	14501	31.54	59	1.20	29	17164	50.91		125		1.75	GK167	4P	56	12211	26.56	59	1.35	36	13702	40.64	121	2.10	GKA167	62	11020	23.97	59	1.55	41	12205	36.20	119	2.50		69	9848	21.42	59	1.75	44	11382	33.76	118	2.70		79	8561	18.62	59	2.00	49	10155	30.12	118	3.00			98	6947	15.11	57	2.50	58	8567	25.41	118	3.50			113	5995	13.04	56	2.80	24	20688	61.36	66	0.85			47	14542	31.63	37	0.85	27	18490	54.84	67	0.95			53	12795	27.83	39	0.95	31	16079	47.69	68	1.10			63	10873	23.65	40	1.10	38		13044	38.69		68	1.35	GK157	4P	71	9577	20.83	41	1.25	47	10634	31.54	67	1.60	GKF157	82	8299	18.05	41	1.50	56	8955	26.56	67	1.85	GKA157	103	6602	14.36	42	1.75	62	8082	23.97	66	2.10	GKAF157	115	5917	12.87	39	1.40	69	7222	21.42	65	2.40			133	5126	11.15	39	1.55	79	6278	18.62	64	2.80			167	4078	8.87	38	1.70	98	5094	15.11	62	3.40			90kW							113	4396	13.04	60	3.80					16			49846	90.96	136	0.85	GK187 GKA187	4P	37	13628	40.42	45	0.90	GK127	20	40152	73.27	138	1.00	47	10664	31.63	47	1.15	GKF127	22	36672	66.92	139	1.15	53	9383	27.83	47	1.30	GKAF127	25	33193	60.57	138	1.35								28	29466	53.77	137	1.60										34	23937	43.68	134	1.90										37	21827	39.83	134	2.00										42	19558	35.69	132	2.20										52	15755	28.75	130	2.70
53	7677	27.83	51	1.60			63	6524	23.65	51	1.85			71	5746	20.83	51	2.10	GK127		82	4979	18.05	50	2.50	GKF127		103	3961	14.36	48	2.90	GKA127		115	3550	12.87	46	2.30	GKAF127		133	3076	11.15	45	2.50			167	2447	8.87	43	2.80			51	7997	28.99	24	0.85	GK107	4P	75kW							56		7258	26.31	27	0.95	GKF107		11	61147	133.00	148	0.80		GK187 GKA187	4P	65	6237	22.61	29	1.10			GKA107	12	54536			118.62	148	0.85	75			5445	19.74	30	1.25	GKAF107	15	46674	101.52	149	0.90	88	4618	16.74	30	1.45		16	41819	90.96	150	1.00	101	4036	14.63	30	1.60	GK107		20	33686	73.27	150	1.15	GK167 GKA167	4P	110	3705	13.43			28			1.10	GKF107			22	30767	66.92	149	1.40	126	3233	11.72	28	1.25	GKA107	24	27847	60.57	147	1.60	149	2742	9.94	28	1.45	GKAF107	28	24721	53.77	144	1.95	170	2397	8.69	28	1.60			34	20082	43.68	141	2.30	55kW								37	18312	39.83	140	2.50			10	48456	143.72	169	0.95			41	16409	35.69	140	2.80			11	44841	133.00	171	1.10			19	35222	76.61	113	0.85	GK157 GKF157 GKA157 GKAF157	4P	12							39993	118.62	171	1.15			22	31098	67.64	114	0.95	15	34228	101.52	170	1.25			25	27742	60.34	115	1.10	16	30668	90.96	168	1.35	GK187			4P		29	23406	50.91	114	1.30	20	24703	73.27	166	1.60	GKA187	36	18684	40.64	113	1.55	22	22562	66.92	162	1.90		41	16643	36.20	111	1.80	24	20421	60.57	159	2.20		44	15521	33.76	109	2.10	28	18129	53.77	150	2.50			49	13848	30.12	107	2.30	34	14727	43.68	150	3.00			58	11682	25.41	105	2.70	17	28897	85.71	131	1.00			73	9324	20.28	100	3.20	19	25829	76.61	130	1.15			82	8308	18.07	100	3.60	22	22805	67.64	129	1.30			38	17788	38.69	58	1.00	25	20344	60.34	128	1.50			47	14501	31.54	59	1.20	29	17164	50.91		125		1.75	GK167		4P	56	12211	26.56	59	1.35	36	13702	40.64	121	2.10	GKA167	62	11020	23.97	59	1.55	41	12205	36.20	119	2.50		69	9848	21.42	59	1.75	44	11382	33.76	118	2.70		79	8561	18.62	59	2.00	49	10155	30.12	118	3.00			98	6947	15.11	57	2.50	58	8567	25.41	118	3.50			113	5995	13.04	56	2.80	24	20688	61.36	66	0.85			47	14542	31.63	37	0.85	27	18490	54.84	67	0.95			53	12795	27.83	39	0.95	31	16079	47.69	68	1.10			63	10873	23.65	40	1.10		38	13044		38.69	68	1.35		GK157	4P	71	9577	20.83	41	1.25	47	10634	31.54	67	1.60	GKF157	82	8299	18.05	41	1.50	56	8955	26.56	67	1.85	GKA157	103	6602	14.36	42	1.75	62	8082	23.97	66	2.10	GKAF157	115	5917	12.87	39	1.40	69	7222	21.42	65	2.40			133	5126	11.15	39	1.55	79	6278	18.62	64	2.80			167	4078	8.87	38	1.70	98	5094	15.11	62	3.40			90kW							113	4396	13.04			60	3.80					16	49846	90.96			136	0.85	GK187 GKA187	4P	37	13628	40.42	45	0.90	GK127	20	40152	73.27	138	1.00	47	10664	31.63	47	1.15	GKF127	22	36672	66.92	139	1.15	53	9383	27.83	47	1.30	GKAF127	25	33193	60.57	138	1.35								28	29466	53.77	137	1.60										34	23937	43.68	134	1.90										37	21827	39.83	134	2.00										42	19558	35.69	132	2.20										52
63	6524	23.65	51	1.85			71	5746	20.83	51	2.10	GK127		82	4979	18.05	50	2.50	GKF127		103	3961	14.36	48	2.90	GKA127		115	3550	12.87	46	2.30	GKAF127		133	3076	11.15	45	2.50			167	2447	8.87	43	2.80			51	7997	28.99	24	0.85	GK107	4P	75kW							56	7258	26.31	27	0.95	GKF107	11	61147		133.00	148	0.80	GK187 GKA187	4P		65	6237	22.61	29	1.10	GKA107			12	54536	118.62	148	0.85			75	5445	19.74			30	1.25	GKAF107	15	46674	101.52	149	0.90	88	4618	16.74	30	1.45		16	41819	90.96	150	1.00	101	4036	14.63	30	1.60	GK107		20	33686	73.27	150	1.15	GK167 GKA167	4P	110	3705	13.43	28	1.10	GKF107			22	30767	66.92			149			1.40	126	3233	11.72	28	1.25	GKA107	24	27847	60.57	147	1.60	149	2742	9.94	28	1.45	GKAF107	28	24721	53.77	144	1.95	170	2397	8.69	28	1.60			34	20082	43.68	141	2.30	55kW								37	18312	39.83	140	2.50			10	48456	143.72	169	0.95			41	16409	35.69	140	2.80			11	44841	133.00	171	1.10			19	35222	76.61	113	0.85	GK157 GKF157 GKA157 GKAF157	4P	12	39993	118.62	171	1.15								22	31098		67.64	114	0.95	15	34228	101.52	170	1.25			25	27742	60.34	115	1.10	16	30668	90.96	168	1.35	GK187	4P	29	23406	50.91	114	1.30	20	24703	73.27				166	1.60	GKA187	36	18684	40.64	113	1.55	22	22562	66.92	162	1.90		41	16643	36.20	111	1.80	24	20421	60.57	159	2.20		44	15521	33.76	109	2.10	28	18129	53.77	150	2.50			49	13848	30.12	107	2.30	34	14727	43.68	150	3.00			58	11682	25.41	105	2.70	17	28897	85.71	131	1.00			73	9324	20.28	100	3.20	19	25829	76.61	130	1.15			82	8308	18.07	100	3.60	22	22805	67.64	129	1.30			38	17788	38.69	58	1.00	25	20344	60.34	128	1.50			47	14501	31.54	59	1.20	29	17164	50.91	125	1.75	GK167	4P	56	12211	26.56	59	1.35	36		13702	40.64			121	2.10	GKA167	62	11020	23.97	59	1.55	41	12205	36.20	119	2.50		69	9848	21.42	59	1.75	44	11382	33.76	118	2.70		79	8561	18.62	59	2.00	49	10155	30.12	118	3.00			98	6947	15.11	57	2.50	58	8567	25.41	118	3.50			113	5995	13.04	56	2.80	24	20688	61.36	66	0.85			47	14542	31.63	37	0.85	27	18490	54.84	67	0.95			53	12795	27.83	39	0.95	31	16079	47.69	68	1.10			63	10873	23.65	40	1.10	38	13044	38.69	68	1.35	GK157	4P	71	9577	20.83	41		1.25	47	10634		31.54		67	1.60	GKF157	82	8299	18.05	41	1.50	56	8955	26.56	67	1.85	GKA157	103	6602	14.36	42	1.75	62	8082	23.97	66	2.10	GKAF157	115	5917	12.87	39	1.40	69	7222	21.42	65	2.40			133	5126	11.15	39	1.55	79	6278	18.62	64	2.80			167	4078	8.87	38	1.70	98	5094	15.11	62	3.40			90kW							113	4396	13.04	60	3.80			16	49846	90.96	136	0.85	GK187 GKA187	4P	37	13628			40.42	45	0.90	GK127			20	40152			73.27	138	1.00	47	10664	31.63	47	1.15	GKF127	22	36672	66.92	139	1.15	53	9383	27.83	47	1.30	GKAF127	25	33193	60.57	138	1.35								28	29466	53.77	137	1.60										34	23937	43.68	134	1.90										37	21827	39.83	134	2.00										42	19558	35.69	132	2.20										52	15755	28.75	130	2.70				
71	5746	20.83	51	2.10	GK127		82	4979	18.05	50	2.50	GKF127		103	3961	14.36	48	2.90	GKA127		115	3550	12.87	46	2.30	GKAF127		133	3076	11.15	45	2.50			167	2447	8.87	43	2.80			51	7997	28.99	24	0.85	GK107	4P	75kW							56	7258	26.31	27	0.95	GKF107		11	61147	133.00	148	0.80	GK187 GKA187	4P	65		6237	22.61	29			1.10	GKA107	12	54536	118.62	148	0.85			75	5445	19.74	30	1.25			GKAF107	15	46674	101.52	149	0.90	88	4618	16.74	30	1.45		16	41819	90.96	150	1.00	101	4036	14.63	30	1.60	GK107		20	33686	73.27	150	1.15	GK167 GKA167	4P	110	3705	13.43	28	1.10			GKF107	22	30767	66.92	149	1.40			126	3233	11.72			28	1.25	GKA107	24	27847	60.57	147	1.60	149	2742	9.94	28	1.45	GKAF107	28	24721	53.77	144	1.95	170	2397	8.69	28	1.60			34	20082	43.68	141	2.30	55kW								37	18312	39.83	140	2.50			10	48456	143.72	169	0.95			41	16409	35.69	140	2.80			11	44841	133.00	171	1.10			19	35222	76.61	113	0.85	GK157 GKF157 GKA157 GKAF157	4P	12	39993	118.62	171	1.15					22	31098	67.64	114			0.95		15	34228	101.52	170		1.25			25	27742	60.34	115	1.10	16	30668	90.96	168	1.35	GK187	4P	29	23406	50.91	114	1.30	20		24703	73.27	166	1.60	GKA187	36	18684	40.64	113			1.55	22	22562	66.92	162	1.90		41	16643	36.20	111	1.80	24	20421	60.57	159	2.20		44	15521	33.76	109	2.10	28	18129	53.77	150	2.50			49	13848	30.12	107	2.30	34	14727	43.68	150	3.00			58	11682	25.41	105	2.70	17	28897	85.71	131	1.00			73	9324	20.28	100	3.20	19	25829	76.61	130	1.15			82	8308	18.07	100	3.60	22	22805	67.64	129	1.30			38	17788	38.69	58	1.00	25	20344	60.34	128	1.50			47	14501	31.54	59	1.20	29	17164	50.91	125	1.75	GK167	4P	56	12211	26.56	59	1.35	36		13702	40.64	121	2.10	GKA167	62	11020	23.97	59			1.55	41	12205	36.20	119	2.50		69	9848	21.42	59	1.75	44	11382	33.76	118	2.70		79	8561	18.62	59	2.00	49	10155	30.12	118	3.00			98	6947	15.11	57	2.50	58	8567	25.41	118	3.50			113	5995	13.04	56	2.80	24	20688	61.36	66	0.85			47	14542	31.63	37	0.85	27	18490	54.84	67	0.95			53	12795	27.83	39	0.95	31	16079	47.69	68	1.10			63	10873	23.65	40	1.10	38	13044	38.69	68	1.35	GK157	4P	71	9577	20.83	41	1.25	47		10634	31.54	67	1.60	GKF157	82	8299	18.05		41		1.50	56	8955	26.56	67	1.85	GKA157	103	6602	14.36	42	1.75	62	8082	23.97	66	2.10	GKAF157	115	5917	12.87	39	1.40	69	7222	21.42	65	2.40			133	5126	11.15	39	1.55	79	6278	18.62	64	2.80			167	4078	8.87	38	1.70	98	5094	15.11	62	3.40			90kW							113	4396	13.04	60	3.80			16	49846	90.96	136	0.85	GK187 GKA187	4P	37	13628	40.42	45	0.90			GK127	20	40152	73.27	138	1.00	47	10664			31.63	47			1.15	GKF127	22	36672	66.92	139	1.15	53	9383	27.83	47	1.30	GKAF127	25	33193	60.57	138	1.35								28	29466	53.77	137	1.60										34	23937	43.68	134	1.90										37	21827	39.83	134	2.00										42	19558	35.69	132	2.20										52	15755	28.75	130	2.70											
82	4979	18.05	50	2.50	GKF127		103	3961	14.36	48	2.90	GKA127		115	3550	12.87	46	2.30	GKAF127		133	3076	11.15	45	2.50			167	2447	8.87	43	2.80			51	7997	28.99	24	0.85	GK107	4P	75kW							56	7258	26.31	27	0.95	GKF107		11	61147	133.00	148	0.80	GK187 GKA187		4P	65	6237	22.61	29			1.10	GKA107	12	54536	118.62			148	0.85	75	5445	19.74	30	1.25			GKAF107	15	46674	101.52	149	0.90	88	4618	16.74	30	1.45		16	41819	90.96	150	1.00	101	4036	14.63	30	1.60	GK107		20	33686	73.27	150	1.15	GK167 GKA167	4P	110	3705	13.43	28	1.10			GKF107	22	30767	66.92	149			1.40	126	3233	11.72	28	1.25			GKA107	24	27847	60.57	147	1.60	149	2742	9.94	28	1.45	GKAF107	28	24721	53.77	144	1.95	170	2397	8.69	28	1.60			34	20082	43.68	141	2.30	55kW								37	18312	39.83	140	2.50			10	48456	143.72	169	0.95			41	16409	35.69	140	2.80			11	44841	133.00	171	1.10			19	35222	76.61	113	0.85	GK157 GKF157 GKA157 GKAF157	4P	12	39993	118.62	171	1.15					22	31098	67.64			114	0.95	15	34228	101.52	170			1.25			25	27742	60.34	115	1.10	16	30668	90.96	168	1.35	GK187	4P	29	23406	50.91	114	1.30	20		24703	73.27	166	1.60	GKA187	36		18684	40.64	113	1.55	22	22562	66.92	162	1.90			41	16643	36.20	111	1.80	24	20421	60.57	159	2.20		44	15521	33.76	109	2.10	28	18129	53.77	150	2.50			49	13848	30.12	107	2.30	34	14727	43.68	150	3.00			58	11682	25.41	105	2.70	17	28897	85.71	131	1.00			73	9324	20.28	100	3.20	19	25829	76.61	130	1.15			82	8308	18.07	100	3.60	22	22805	67.64	129	1.30			38	17788	38.69	58	1.00	25	20344	60.34	128	1.50			47	14501	31.54	59	1.20	29	17164	50.91	125	1.75	GK167	4P	56	12211	26.56	59	1.35	36		13702	40.64	121	2.10	GKA167	62		11020	23.97	59	1.55	41	12205	36.20	119	2.50			69	9848	21.42	59	1.75	44	11382	33.76	118	2.70		79	8561	18.62	59	2.00	49	10155	30.12	118	3.00			98	6947	15.11	57	2.50	58	8567	25.41	118	3.50			113	5995	13.04	56	2.80	24	20688	61.36	66	0.85			47	14542	31.63	37	0.85	27	18490	54.84	67	0.95			53	12795	27.83	39	0.95	31	16079	47.69	68	1.10			63	10873	23.65	40	1.10	38	13044	38.69	68	1.35	GK157	4P	71	9577	20.83	41	1.25	47		10634	31.54	67	1.60	GKF157	82		8299	18.05	41	1.50	56	8955	26.56	67	1.85	GKA157		103	6602	14.36	42	1.75	62	8082	23.97	66	2.10	GKAF157	115	5917	12.87	39	1.40	69	7222	21.42	65	2.40			133	5126	11.15	39	1.55	79	6278	18.62	64	2.80			167	4078	8.87	38	1.70	98	5094	15.11	62	3.40			90kW							113	4396	13.04	60	3.80			16	49846	90.96	136	0.85	GK187 GKA187	4P	37	13628	40.42	45	0.90			GK127	20	40152	73.27	138			1.00	47	10664	31.63	47	1.15	GKF127	22	36672	66.92	139	1.15			53	9383	27.83	47	1.30	GKAF127	25	33193	60.57	138	1.35								28	29466	53.77	137	1.60										34	23937	43.68	134	1.90										37	21827	39.83	134	2.00										42	19558	35.69	132	2.20										52	15755	28.75	130	2.70																		
103	3961	14.36	48	2.90	GKA127		115	3550	12.87	46	2.30	GKAF127		133	3076	11.15	45	2.50			167	2447	8.87	43	2.80			51	7997	28.99	24	0.85	GK107	4P	75kW							56	7258	26.31	27	0.95	GKF107		11	61147	133.00	148	0.80	GK187 GKA187		4P	65	6237	22.61	29		1.10		GKA107	12	54536	118.62			148	0.85	75	5445	19.74			30	1.25	GKAF107	15	46674	101.52	149	0.90	88	4618	16.74	30	1.45		16	41819	90.96	150	1.00	101	4036	14.63	30	1.60	GK107		20	33686	73.27	150	1.15	GK167 GKA167	4P	110	3705	13.43	28	1.10			GKF107	22	30767	66.92	149			1.40	126	3233	11.72	28			1.25	GKA107	24	27847	60.57	147	1.60	149	2742	9.94	28	1.45	GKAF107	28	24721	53.77	144	1.95	170	2397	8.69	28	1.60			34	20082	43.68	141	2.30	55kW								37	18312	39.83	140	2.50			10	48456	143.72	169	0.95			41	16409	35.69	140	2.80			11	44841	133.00	171	1.10			19	35222	76.61	113	0.85	GK157 GKF157 GKA157 GKAF157	4P	12	39993	118.62	171	1.15					22	31098	67.64			114	0.95	15	34228	101.52			170	1.25			25	27742	60.34	115	1.10	16	30668	90.96	168	1.35	GK187	4P	29	23406	50.91	114	1.30	20		24703	73.27	166	1.60	GKA187	36		18684	40.64	113	1.55	22	22562		66.92	162	1.90		41	16643	36.20	111	1.80	24	20421	60.57	159	2.20		44	15521	33.76	109	2.10	28	18129	53.77	150	2.50			49	13848	30.12	107	2.30	34	14727	43.68	150	3.00			58	11682	25.41	105	2.70	17	28897	85.71	131	1.00			73	9324	20.28	100	3.20	19	25829	76.61	130	1.15			82	8308	18.07	100	3.60	22	22805	67.64	129	1.30			38	17788	38.69	58	1.00	25	20344	60.34	128	1.50			47	14501	31.54	59	1.20	29	17164	50.91	125	1.75	GK167	4P	56	12211	26.56	59	1.35	36		13702	40.64	121	2.10	GKA167	62		11020	23.97	59	1.55	41	12205		36.20	119	2.50		69	9848	21.42	59	1.75	44	11382	33.76	118	2.70		79	8561	18.62	59	2.00	49	10155	30.12	118	3.00			98	6947	15.11	57	2.50	58	8567	25.41	118	3.50			113	5995	13.04	56	2.80	24	20688	61.36	66	0.85			47	14542	31.63	37	0.85	27	18490	54.84	67	0.95			53	12795	27.83	39	0.95	31	16079	47.69	68	1.10			63	10873	23.65	40	1.10	38	13044	38.69	68	1.35	GK157	4P	71	9577	20.83	41	1.25	47		10634	31.54	67	1.60	GKF157	82		8299	18.05	41	1.50	56	8955		26.56	67	1.85	GKA157	103	6602	14.36	42	1.75	62	8082	23.97	66	2.10	GKAF157	115	5917	12.87	39	1.40	69	7222	21.42	65	2.40			133	5126	11.15	39	1.55	79	6278	18.62	64	2.80			167	4078	8.87	38	1.70	98	5094	15.11	62	3.40			90kW							113	4396	13.04	60	3.80			16	49846	90.96	136	0.85	GK187 GKA187	4P	37	13628	40.42	45	0.90			GK127	20	40152	73.27	138			1.00	47	10664	31.63	47			1.15	GKF127	22	36672	66.92	139	1.15	53	9383	27.83	47	1.30	GKAF127	25	33193	60.57	138	1.35								28	29466	53.77	137	1.60										34	23937	43.68	134	1.90										37	21827	39.83	134	2.00										42	19558	35.69	132	2.20										52	15755	28.75	130	2.70																									
115	3550	12.87	46	2.30	GKAF127		133	3076	11.15	45	2.50			167	2447	8.87	43	2.80			51	7997	28.99	24	0.85	GK107	4P	75kW							56	7258	26.31	27	0.95	GKF107		11	61147	133.00	148	0.80	GK187 GKA187		4P	65	6237	22.61	29		1.10		GKA107	12	54536	118.62		148		0.85	75	5445	19.74			30	1.25	GKAF107	15	46674	101.52	149	0.90	88	4618	16.74	30	1.45		16	41819	90.96	150	1.00	101	4036	14.63	30	1.60	GK107		20	33686	73.27	150	1.15	GK167 GKA167	4P	110	3705	13.43	28	1.10			GKF107	22	30767	66.92	149			1.40	126	3233	11.72	28			1.25	GKA107	24	27847	60.57	147	1.60	149	2742	9.94	28	1.45	GKAF107	28	24721	53.77	144	1.95	170	2397	8.69	28	1.60			34	20082	43.68	141	2.30	55kW								37	18312	39.83	140	2.50			10	48456	143.72	169	0.95			41	16409	35.69	140	2.80			11	44841	133.00	171	1.10			19	35222	76.61	113	0.85	GK157 GKF157 GKA157 GKAF157	4P	12	39993	118.62	171	1.15					22	31098	67.64			114	0.95	15	34228	101.52			170	1.25			25	27742	60.34	115	1.10	16	30668	90.96	168	1.35	GK187	4P	29	23406	50.91	114	1.30	20		24703	73.27	166	1.60	GKA187	36		18684	40.64	113	1.55	22	22562		66.92	162	1.90		41	16643	36.20	111	1.80	24	20421	60.57	159	2.20		44	15521	33.76	109	2.10	28	18129	53.77	150	2.50			49	13848	30.12	107	2.30	34	14727	43.68	150	3.00			58	11682	25.41	105	2.70	17	28897	85.71	131	1.00			73	9324	20.28	100	3.20	19	25829	76.61	130	1.15			82	8308	18.07	100	3.60	22	22805	67.64	129	1.30			38	17788	38.69	58	1.00	25	20344	60.34	128	1.50			47	14501	31.54	59	1.20	29	17164	50.91	125	1.75	GK167	4P	56	12211	26.56	59	1.35	36		13702	40.64	121	2.10	GKA167	62		11020	23.97	59	1.55	41	12205		36.20	119	2.50		69	9848	21.42	59	1.75	44	11382	33.76	118	2.70		79	8561	18.62	59	2.00	49	10155	30.12	118	3.00			98	6947	15.11	57	2.50	58	8567	25.41	118	3.50			113	5995	13.04	56	2.80	24	20688	61.36	66	0.85			47	14542	31.63	37	0.85	27	18490	54.84	67	0.95			53	12795	27.83	39	0.95	31	16079	47.69	68	1.10			63	10873	23.65	40	1.10	38	13044	38.69	68	1.35	GK157	4P	71	9577	20.83	41	1.25	47		10634	31.54	67	1.60	GKF157	82		8299	18.05	41	1.50	56	8955		26.56	67	1.85	GKA157	103	6602	14.36	42	1.75	62	8082	23.97	66	2.10	GKAF157	115	5917	12.87	39	1.40	69	7222	21.42	65	2.40			133	5126	11.15	39	1.55	79	6278	18.62	64	2.80			167	4078	8.87	38	1.70	98	5094	15.11	62	3.40			90kW							113	4396	13.04	60	3.80			16	49846	90.96	136	0.85	GK187 GKA187	4P	37	13628	40.42	45	0.90			GK127	20	40152	73.27	138			1.00	47	10664	31.63	47			1.15	GKF127	22	36672	66.92	139	1.15	53	9383	27.83	47	1.30	GKAF127	25	33193	60.57	138	1.35								28	29466	53.77	137	1.60										34	23937	43.68	134	1.90										37	21827	39.83	134	2.00										42	19558	35.69	132	2.20										52	15755	28.75	130	2.70																																
133	3076	11.15	45	2.50			167	2447	8.87	43	2.80			51	7997	28.99	24	0.85	GK107	4P	75kW							56	7258	26.31	27	0.95	GKF107		11	61147	133.00	148	0.80	GK187 GKA187		4P	65	6237	22.61	29		1.10		GKA107	12	54536	118.62		148		0.85	75	5445	19.74		30		1.25	GKAF107	15	46674	101.52	149	0.90	88	4618	16.74	30	1.45		16	41819	90.96	150	1.00	101	4036	14.63	30	1.60	GK107		20	33686	73.27	150	1.15	GK167 GKA167	4P	110	3705	13.43	28	1.10			GKF107	22	30767	66.92	149			1.40	126	3233	11.72	28			1.25	GKA107	24	27847	60.57	147	1.60	149	2742	9.94	28	1.45	GKAF107	28	24721	53.77	144	1.95	170	2397	8.69	28	1.60			34	20082	43.68	141	2.30	55kW								37	18312	39.83	140	2.50			10	48456	143.72	169	0.95			41	16409	35.69	140	2.80			11	44841	133.00	171	1.10			19	35222	76.61	113	0.85	GK157 GKF157 GKA157 GKAF157	4P	12	39993	118.62	171	1.15					22	31098	67.64			114	0.95	15	34228	101.52			170	1.25			25	27742	60.34	115	1.10	16	30668	90.96	168	1.35	GK187	4P	29	23406	50.91	114	1.30	20		24703	73.27	166	1.60	GKA187	36		18684	40.64	113	1.55	22	22562		66.92	162	1.90		41	16643	36.20	111	1.80	24	20421	60.57	159	2.20		44	15521	33.76	109	2.10	28	18129	53.77	150	2.50			49	13848	30.12	107	2.30	34	14727	43.68	150	3.00			58	11682	25.41	105	2.70	17	28897	85.71	131	1.00			73	9324	20.28	100	3.20	19	25829	76.61	130	1.15			82	8308	18.07	100	3.60	22	22805	67.64	129	1.30			38	17788	38.69	58	1.00	25	20344	60.34	128	1.50			47	14501	31.54	59	1.20	29	17164	50.91	125	1.75	GK167	4P	56	12211	26.56	59	1.35	36		13702	40.64	121	2.10	GKA167	62		11020	23.97	59	1.55	41	12205		36.20	119	2.50		69	9848	21.42	59	1.75	44	11382	33.76	118	2.70		79	8561	18.62	59	2.00	49	10155	30.12	118	3.00			98	6947	15.11	57	2.50	58	8567	25.41	118	3.50			113	5995	13.04	56	2.80	24	20688	61.36	66	0.85			47	14542	31.63	37	0.85	27	18490	54.84	67	0.95			53	12795	27.83	39	0.95	31	16079	47.69	68	1.10			63	10873	23.65	40	1.10	38	13044	38.69	68	1.35	GK157	4P	71	9577	20.83	41	1.25	47		10634	31.54	67	1.60	GKF157	82		8299	18.05	41	1.50	56	8955		26.56	67	1.85	GKA157	103	6602	14.36	42	1.75	62	8082	23.97	66	2.10	GKAF157	115	5917	12.87	39	1.40	69	7222	21.42	65	2.40			133	5126	11.15	39	1.55	79	6278	18.62	64	2.80			167	4078	8.87	38	1.70	98	5094	15.11	62	3.40			90kW							113	4396	13.04	60	3.80			16	49846	90.96	136	0.85	GK187 GKA187	4P	37	13628	40.42	45	0.90			GK127	20	40152	73.27	138			1.00	47	10664	31.63	47			1.15	GKF127	22	36672	66.92	139	1.15	53	9383	27.83	47	1.30	GKAF127	25	33193	60.57	138	1.35								28	29466	53.77	137	1.60										34	23937	43.68	134	1.90										37	21827	39.83	134	2.00										42	19558	35.69	132	2.20										52	15755	28.75	130	2.70																																							
167	2447	8.87	43	2.80			51	7997	28.99	24	0.85	GK107	4P	75kW							56	7258	26.31	27	0.95	GKF107		11	61147	133.00	148	0.80	GK187 GKA187		4P	65	6237	22.61	29		1.10		GKA107	12	54536	118.62		148		0.85	75	5445	19.74		30		1.25	GKAF107	15	46674	101.52	149	0.90	88	4618	16.74	30	1.45		16	41819	90.96	150	1.00	101	4036	14.63	30	1.60	GK107		20	33686	73.27	150	1.15	GK167 GKA167	4P	110	3705	13.43	28	1.10			GKF107	22	30767	66.92	149			1.40	126	3233	11.72	28			1.25	GKA107	24	27847	60.57	147	1.60	149	2742	9.94	28	1.45	GKAF107	28	24721	53.77	144	1.95	170	2397	8.69	28	1.60			34	20082	43.68	141	2.30	55kW								37	18312	39.83	140	2.50			10	48456	143.72	169	0.95			41	16409	35.69	140	2.80			11	44841	133.00	171	1.10			19	35222	76.61	113	0.85	GK157 GKF157 GKA157 GKAF157	4P	12	39993	118.62	171	1.15					22	31098	67.64			114	0.95	15	34228	101.52			170	1.25			25	27742	60.34	115	1.10	16	30668	90.96	168	1.35	GK187	4P	29	23406	50.91	114	1.30	20		24703	73.27	166	1.60	GKA187	36		18684	40.64	113	1.55	22	22562		66.92	162	1.90		41	16643	36.20	111	1.80	24	20421	60.57	159	2.20		44	15521	33.76	109	2.10	28	18129	53.77	150	2.50			49	13848	30.12	107	2.30	34	14727	43.68	150	3.00			58	11682	25.41	105	2.70	17	28897	85.71	131	1.00			73	9324	20.28	100	3.20	19	25829	76.61	130	1.15			82	8308	18.07	100	3.60	22	22805	67.64	129	1.30			38	17788	38.69	58	1.00	25	20344	60.34	128	1.50			47	14501	31.54	59	1.20	29	17164	50.91	125	1.75	GK167	4P	56	12211	26.56	59	1.35	36		13702	40.64	121	2.10	GKA167	62		11020	23.97	59	1.55	41	12205		36.20	119	2.50		69	9848	21.42	59	1.75	44	11382	33.76	118	2.70		79	8561	18.62	59	2.00	49	10155	30.12	118	3.00			98	6947	15.11	57	2.50	58	8567	25.41	118	3.50			113	5995	13.04	56	2.80	24	20688	61.36	66	0.85			47	14542	31.63	37	0.85	27	18490	54.84	67	0.95			53	12795	27.83	39	0.95	31	16079	47.69	68	1.10			63	10873	23.65	40	1.10	38	13044	38.69	68	1.35	GK157	4P	71	9577	20.83	41	1.25	47		10634	31.54	67	1.60	GKF157	82		8299	18.05	41	1.50	56	8955		26.56	67	1.85	GKA157	103	6602	14.36	42	1.75	62	8082	23.97	66	2.10	GKAF157	115	5917	12.87	39	1.40	69	7222	21.42	65	2.40			133	5126	11.15	39	1.55	79	6278	18.62	64	2.80			167	4078	8.87	38	1.70	98	5094	15.11	62	3.40			90kW							113	4396	13.04	60	3.80			16	49846	90.96	136	0.85	GK187 GKA187	4P	37	13628	40.42	45	0.90			GK127	20	40152	73.27	138			1.00	47	10664	31.63	47			1.15	GKF127	22	36672	66.92	139	1.15	53	9383	27.83	47	1.30	GKAF127	25	33193	60.57	138	1.35								28	29466	53.77	137	1.60										34	23937	43.68	134	1.90										37	21827	39.83	134	2.00										42	19558	35.69	132	2.20										52	15755	28.75	130	2.70																																														
51	7997	28.99	24	0.85	GK107	4P	75kW																																																																																																																																																																																																																																																																																																																																																																																																																																																																																																																																																																																																																																																																																																														
56	7258	26.31	27	0.95	GKF107		11	61147	133.00	148	0.80	GK187 GKA187		4P																																																																																																																																																																																																																																																																																																																																																																																																																																																																																																																																																																																																																																																																																																							
65	6237	22.61	29	1.10	GKA107		12	54536	118.62	148	0.85																																																																																																																																																																																																																																																																																																																																																																																																																																																																																																																																																																																																																																																																																																										
75	5445	19.74	30	1.25	GKAF107		15	46674	101.52	149	0.90																																																																																																																																																																																																																																																																																																																																																																																																																																																																																																																																																																																																																																																																																																										
88	4618	16.74	30	1.45		16	41819	90.96	150	1.00																																																																																																																																																																																																																																																																																																																																																																																																																																																																																																																																																																																																																																																																																																											
101	4036	14.63	30	1.60	GK107		20	33686	73.27	150	1.15	GK167 GKA167	4P																																																																																																																																																																																																																																																																																																																																																																																																																																																																																																																																																																																																																																																																																																								
110	3705	13.43	28	1.10	GKF107	22	30767	66.92	149	1.40																																																																																																																																																																																																																																																																																																																																																																																																																																																																																																																																																																																																																																																																																																											
126	3233	11.72	28	1.25	GKA107	24	27847	60.57	147	1.60																																																																																																																																																																																																																																																																																																																																																																																																																																																																																																																																																																																																																																																																																																											
149	2742	9.94	28	1.45	GKAF107	28	24721	53.77	144	1.95																																																																																																																																																																																																																																																																																																																																																																																																																																																																																																																																																																																																																																																																																																											
170	2397	8.69	28	1.60			34	20082	43.68	141	2.30																																																																																																																																																																																																																																																																																																																																																																																																																																																																																																																																																																																																																																																																																																										
55kW								37	18312	39.83	140	2.50																																																																																																																																																																																																																																																																																																																																																																																																																																																																																																																																																																																																																																																																																																									
10	48456	143.72	169	0.95			41	16409	35.69	140	2.80																																																																																																																																																																																																																																																																																																																																																																																																																																																																																																																																																																																																																																																																																																										
11	44841	133.00	171	1.10			19	35222	76.61	113	0.85	GK157 GKF157 GKA157 GKAF157	4P																																																																																																																																																																																																																																																																																																																																																																																																																																																																																																																																																																																																																																																																																																								
12	39993	118.62	171	1.15			22	31098	67.64	114	0.95																																																																																																																																																																																																																																																																																																																																																																																																																																																																																																																																																																																																																																																																																																										
15	34228	101.52	170	1.25			25	27742	60.34	115	1.10																																																																																																																																																																																																																																																																																																																																																																																																																																																																																																																																																																																																																																																																																																										
16	30668	90.96	168	1.35	GK187	4P	29	23406	50.91	114	1.30																																																																																																																																																																																																																																																																																																																																																																																																																																																																																																																																																																																																																																																																																																										
20	24703	73.27	166	1.60	GKA187		36	18684	40.64	113	1.55																																																																																																																																																																																																																																																																																																																																																																																																																																																																																																																																																																																																																																																																																																										
22	22562	66.92	162	1.90			41	16643	36.20	111	1.80																																																																																																																																																																																																																																																																																																																																																																																																																																																																																																																																																																																																																																																																																																										
24	20421	60.57	159	2.20			44	15521	33.76	109	2.10																																																																																																																																																																																																																																																																																																																																																																																																																																																																																																																																																																																																																																																																																																										
28	18129	53.77	150	2.50			49	13848	30.12	107	2.30																																																																																																																																																																																																																																																																																																																																																																																																																																																																																																																																																																																																																																																																																																										
34	14727	43.68	150	3.00			58	11682	25.41	105	2.70																																																																																																																																																																																																																																																																																																																																																																																																																																																																																																																																																																																																																																																																																																										
17	28897	85.71	131	1.00			73	9324	20.28	100	3.20																																																																																																																																																																																																																																																																																																																																																																																																																																																																																																																																																																																																																																																																																																										
19	25829	76.61	130	1.15			82	8308	18.07	100	3.60																																																																																																																																																																																																																																																																																																																																																																																																																																																																																																																																																																																																																																																																																																										
22	22805	67.64	129	1.30			38	17788	38.69	58	1.00																																																																																																																																																																																																																																																																																																																																																																																																																																																																																																																																																																																																																																																																																																										
25	20344	60.34	128	1.50			47	14501	31.54	59	1.20																																																																																																																																																																																																																																																																																																																																																																																																																																																																																																																																																																																																																																																																																																										
29	17164	50.91	125	1.75	GK167	4P	56	12211	26.56	59	1.35																																																																																																																																																																																																																																																																																																																																																																																																																																																																																																																																																																																																																																																																																																										
36	13702	40.64	121	2.10	GKA167		62	11020	23.97	59	1.55																																																																																																																																																																																																																																																																																																																																																																																																																																																																																																																																																																																																																																																																																																										
41	12205	36.20	119	2.50			69	9848	21.42	59	1.75																																																																																																																																																																																																																																																																																																																																																																																																																																																																																																																																																																																																																																																																																																										
44	11382	33.76	118	2.70			79	8561	18.62	59	2.00																																																																																																																																																																																																																																																																																																																																																																																																																																																																																																																																																																																																																																																																																																										
49	10155	30.12	118	3.00			98	6947	15.11	57	2.50																																																																																																																																																																																																																																																																																																																																																																																																																																																																																																																																																																																																																																																																																																										
58	8567	25.41	118	3.50			113	5995	13.04	56	2.80																																																																																																																																																																																																																																																																																																																																																																																																																																																																																																																																																																																																																																																																																																										
24	20688	61.36	66	0.85			47	14542	31.63	37	0.85																																																																																																																																																																																																																																																																																																																																																																																																																																																																																																																																																																																																																																																																																																										
27	18490	54.84	67	0.95			53	12795	27.83	39	0.95																																																																																																																																																																																																																																																																																																																																																																																																																																																																																																																																																																																																																																																																																																										
31	16079	47.69	68	1.10			63	10873	23.65	40	1.10																																																																																																																																																																																																																																																																																																																																																																																																																																																																																																																																																																																																																																																																																																										
38	13044	38.69	68	1.35	GK157	4P	71	9577	20.83	41	1.25																																																																																																																																																																																																																																																																																																																																																																																																																																																																																																																																																																																																																																																																																																										
47	10634	31.54	67	1.60	GKF157		82	8299	18.05	41	1.50																																																																																																																																																																																																																																																																																																																																																																																																																																																																																																																																																																																																																																																																																																										
56	8955	26.56	67	1.85	GKA157		103	6602	14.36	42	1.75																																																																																																																																																																																																																																																																																																																																																																																																																																																																																																																																																																																																																																																																																																										
62	8082	23.97	66	2.10	GKAF157		115	5917	12.87	39	1.40																																																																																																																																																																																																																																																																																																																																																																																																																																																																																																																																																																																																																																																																																																										
69	7222	21.42	65	2.40			133	5126	11.15	39	1.55																																																																																																																																																																																																																																																																																																																																																																																																																																																																																																																																																																																																																																																																																																										
79	6278	18.62	64	2.80			167	4078	8.87	38	1.70																																																																																																																																																																																																																																																																																																																																																																																																																																																																																																																																																																																																																																																																																																										
98	5094	15.11	62	3.40			90kW																																																																																																																																																																																																																																																																																																																																																																																																																																																																																																																																																																																																																																																																																																														
113	4396	13.04	60	3.80			16	49846	90.96	136	0.85	GK187 GKA187	4P																																																																																																																																																																																																																																																																																																																																																																																																																																																																																																																																																																																																																																																																																																								
37	13628	40.42	45	0.90	GK127	20	40152	73.27	138	1.00																																																																																																																																																																																																																																																																																																																																																																																																																																																																																																																																																																																																																																																																																																											
47	10664	31.63	47	1.15	GKF127	22	36672	66.92	139	1.15																																																																																																																																																																																																																																																																																																																																																																																																																																																																																																																																																																																																																																																																																																											
53	9383	27.83	47	1.30	GKAF127	25	33193	60.57	138	1.35																																																																																																																																																																																																																																																																																																																																																																																																																																																																																																																																																																																																																																																																																																											
							28	29466	53.77	137	1.60																																																																																																																																																																																																																																																																																																																																																																																																																																																																																																																																																																																																																																																																																																										
							34	23937	43.68	134	1.90																																																																																																																																																																																																																																																																																																																																																																																																																																																																																																																																																																																																																																																																																																										
							37	21827	39.83	134	2.00																																																																																																																																																																																																																																																																																																																																																																																																																																																																																																																																																																																																																																																																																																										
							42	19558	35.69	132	2.20																																																																																																																																																																																																																																																																																																																																																																																																																																																																																																																																																																																																																																																																																																										
							52	15755	28.75	130	2.70																																																																																																																																																																																																																																																																																																																																																																																																																																																																																																																																																																																																																																																																																																										

选型参数表
(恒扭矩)

Selection Table
(Constant Torque)

n_a [r/min]	M_a [Nm]	i	F_{ra} [kN]	f_B	机型号 Type size	极数 Pole	n_a [r/min]	M_a [Nm]	i	F_{ra} [kN]	f_B	机型号 Type size	极数 Pole
90kW							132kW						
22	37067	67.64	104	0.80	GK167 GKA167	4P	22	53786	66.92	111	0.80	GK187 GKA187	4P
25	33067	60.34	105	0.90			25	48682	60.57	114	0.90		
29	27899	50.91	106	1.05			28	43217	53.77	117	1.10		
37	22271	40.64	106	1.30			34	35107	43.68	118	1.30		
41	19838	36.20	105	1.50			37	32013	39.83	118	1.40		
44	18501	33.76	104	1.70			42	28685	35.69	118	1.55		
49	16506	30.12	103	1.90			52	23107	28.75	117	1.75		
59	13925	25.41	101	2.30			57	21098	26.25	115	2.10		
73	11114	20.28	98	2.70			63	19097	23.76	113	2.30		
82	9902	18.07	95	3.20			71	16959	21.10	110	2.60		
39	21202	38.69	50	0.80	87	13776	17.14	108	2.80				
47	17284	31.54	53	1.00	37	32664	40.64	87	0.90				
56	14555	26.56	54	1.10	41	29095	36.20	89	1.05				
62	13136	23.97	55	1.30	44	27134	33.76	90	1.15				
70	11738	21.42	55	1.45	49	24209	30.12	90	1.30				
80	10204	18.62	55	1.70	59	20423	25.41	90	1.55				
99	8280	15.11	55	2.10	73	16300	20.28	89	1.85				
114	7146	13.04	54	2.30	82	14524	18.07	88	2.20				
110kW							160kW						
63	12960	23.65	35	0.95	GK127 GKF127 GKA127 GKAF127	4P	28	52384	53.77	103	0.90	GK187 GKA187	4P
72	11415	20.83	36	1.05			34	42554	43.68	106	1.05		
83	9891	18.05	37	1.25			52	28009	28.75	108	1.45		
104	7869	14.36	38	1.45			57	25573	26.25	108	1.75		
116	7053	12.87	36	1.15			63	23148	23.76	107	1.90		
134	6110	11.15	36	1.30			71	20556	21.10	105	2.10		
168	4861	8.87	36	1.45	87	16698	17.14	103	2.30				
20	49075	73.27	122	0.80	41	35267	36.20	78	0.85				
22	44822	66.92	126	0.95	59	24755	25.41	83	1.25				
25	40569	60.57	127	1.10	73	19757	20.28	83	1.55				
28	36014	53.77	127	1.30	82	17604	18.07	82	1.80				
34	29256	43.68	127	1.55	GK187 GKA187	4P	200kW						
37	26677	39.83	126	1.65			34	53193	43.68	90	0.85		
42	23905	35.69	125	1.85			52	35011	28.75	97	1.15		
52	19256	28.75	123	2.10			57	31967	26.25	98	1.30		
63	15914	23.76	121	2.50			63	28935	23.76	99	1.40		
71	14132	21.10	120	2.80			71	25695	21.10	98	1.50		
29	34099	50.91	95	0.85			87	20873	17.14	97	1.70		
37	27220	40.64	97	1.05									
41	24246	36.20	97	1.25									
44	22612	33.76	97	1.40									
49	20174	30.12	97	1.55									
59	17019	25.41	95	1.85									
73	13583	20.28	94	2.20									
84	11822	17.65	92	2.60									
62	16055	23.97	48	1.05	GK157 GKF157 GKA157 GKAF157	4P							
70	14347	21.42	49	1.10									
80	12471	18.62	50	1.15									
99	10120	15.11	50	1.26									
114	8734	13.04	50	1.35									

选型参数表
(恒扭矩)

Selection Table
(Constant Torque)

Mamax [Nm]	n _a [r/min]	i	F _{ra} [kN]	机型号 Type size	P [kW]/4P	Mamax [Nm]	n _a [r/min]	i	F _{ra} [kN]	机型号 Type size	P [kW]/4P	
200	0.19	6832	5.4		0.12	400				GK47R37	0.25	
	0.22	5924	5.4				3.5	375	5.6	GKF47R37		
	0.24	5491	5.4				4.1	327	5.6	GKA47R37		
	0.28	4759	5.4				4.6	289	5.6	GKAF47R37		
	0.31	4160	5.4							GK47R37		0.37
	0.36	3645	5.4	GK37R17			5.2	256	5.6	GKF47R37		
	0.41	3205	5.4	GKF37R17			5.9	225	5.6	GKA47R37		
	0.47	2801	5.4	GKA37R17			6.7	198	5.6	GKAF47R37		
	0.53	2454	5.4	GKAF37R17						GK47R37		0.55
	0.53	2466	5.4				8.1	171	5.6	GKF47R37		
	0.69	1892	5.4				9.1	153	5.6	GKA47R37		
	0.79	1660	5.4				11	131	5.6	GKAF47R37		
	0.89	1466	5.4						0.12			
	1.02	1288	5.4		600	0.11	12169	7.2				
	1.15	1136	5.4			0.12	11162	7.2				
	1.32	996	5.4			0.14	9503	7.2				
	1.50	876	5.4			0.15	8547	7.2				
	1.72	761	5.4			0.18	7277	7.2				
	1.95	671	5.4	GK37R17		0.20	6478	7.2		GK57R37		
	2.24	585	5.4	GKF37R17		0.23	5662	7.2		GKF57R37		
2.56	512	5.4	GKA37R17	0.26		5033	7.2	GKA57R37				
2.90	451	5.4	GKAF37R17	0.30		4340	7.2	GKAF57R37				
3.31	396	5.4		0.34		3854	7.2					
3.79	346	5.4		0.39		3390	7.2					
4.31	304	5.4	GK37R17	0.45		2924	7.2					
4.91	267	5.4	GKF37R17	0.51	2593	7.2						
5.60	234	5.4	GKA37R17	0.58	2249	7.2						
6.39	205	5.4	GKAF37R17	0.66	1986	7.2						
7.3	181	5.4	GK37R17	0.75	1743	7.2						
8.3	160	5.4	GKF37R17	0.85	1539	7.2	GK57R37					
9.8	136	5.4	GKA37R17	0.97	1354	7.2	GKF57R37					
10.5	127	5.4	GKAF37R17	1.1	1174	7.2	GKA57R37					
12	110	5.4	GK37R17	1.3	1036	7.2	GKAF57R37					
14	96	5.4	GKF37R17	1.4	906	7.2	GK57R37					
			GKA37R17	1.6	806	7.2	GKF57R37					
			GKAF37R17	1.9	699	7.2	GKA57R37					
				2.1	615	7.2	GKAF57R37					
400	0.13	10138	5.6		0.12					0.25		
	0.15	8534	5.6			2.4	544	7.2	GK57R37			
	0.17	7662	5.6			2.8	473	7.2	GKA57R37			
	0.19	6826	5.6			3.2	421	7.2	GKAF57R37			
	0.22	5983	5.6						GK57R37		0.37	
	0.25	5158	5.6			3.7	362	7.2	GKF57R37			
	0.28	4601	5.6	GK47R37		4.2	319	7.2	GKA57R37			
	0.33	3940	5.6	GKF47R37		4.8	280	7.2	GKAF57R37			
	0.38	3477	5.6	GKA47R37					GK57R37		0.55	
	0.43	3043	5.6	GKAF47R37		5.7	246	7.2	GKF57R37			
	0.48	2732	5.6			6.5	215	7.2	GKA57R37			
	0.56	2354	5.6			7.2	192	7.2	GKAF57R37			
	0.63	2063	5.6					GK57R37	0.75			
	0.72	1819	5.6		8.4	166	7.2	GKF57R37				
	0.83	1586	5.6		9.6	145	7.2	GKA57R37				
	0.94	1388	5.6		11	129	7.2	GKAF57R37				
	1.1	1222	5.6					GK57R37	1.1			
	1.2	1097	5.6	GK47R37	13	111	7.2	GKF57R37				
	1.4	945	5.6	GKF47R37				GKA57R37				
	1.6	831	5.6	GKA47R37	14	97	7.2	GKAF57R37				
1.8	718	5.6	GKAF47R37					0.12				
2.1	639	5.6		820	0.11	12139	10		GK67R37			
					0.12	11134	10		GKF67R37			
					0.14	9479	10		GKA67R37			
					0.16	8173	10	GKAF67R37				
2.4	552	5.6	GK47R37					0.18				
2.6	495	5.6	GKF47R37									
3.1	426	5.6	GKA47R37									
			GKAF47R37									

选型参数表
(恒扭矩)

Selection Table
(Constant Torque)

Mamax [Nm]	n _a [r/min]	i	F _{ra} [kN]	机型号 Type size	P [kW]/4P	Mamax [Nm]	n _a [r/min]	i	F _{ra} [kN]	机型号 Type size	P [kW]/4P	
820	0.18	7259	10		0.12	1550				GK77R37	0.37	
	0.20	6462	10				1.4	925	15	GKF77R37		
	0.23	5648	10				1.6	817	15	GKA77R37		
	0.27	4846	10	GK67R37			1.9	710	15	GKAF77R37		
	0.30	4329	10	GKF67R37						GK77R37		0.55
	0.35	3750	10	GKA67R37			2.2	623	15	GKF77R37		
	0.40	3315	10	GKAF67R37			2.5	553	15	GKA77R37		
	0.45	2917	10				2.9	485	15	GKAF77R37		
	0.52	2532	10				3.2	428	15	GK77R37		
	0.58	2244	10							GKF77R37		
	0.66	1981	10		3.8		368	15	GKA77R37			
					GK67R37					GKAF77R37	1.1	
	0.75	1739	10	GKF67R37					GK77R37			
	0.85	1536	10	GKA67R37					GKF77R37			
	0.97	1351	10	GKAF67R37					GKA77R37	0.18		
	1.1	1171	10	GK67R37	0.25		2700	0.09	14828		26	
	1.3	1034	10	GKF67R37				0.10	13168	26		
	1.5	903	10	GKA67R37				0.11	11736	26		
	1.7	793	10	GKAF67R37				0.13	10217	26	GK87R57	
								0.14	9073	26	GKF87R57	
1.9	697	10	GK67R37	0.17		7854		26	GKA87R57			
2.2	613	10	GKF67R37	0.19		6832		26	GKAF87R57			
2.5	542	10	GKA67R37	0.22	5930	26			0.18			
2.8	471	10	GKAF67R37	0.25	5239	26						
3.2	420	10	GK67R37	0.29	4562	26						
3.9	361	10	GKF67R37	0.32	4037	26		GK87R57				
4.3	323	10	GKA67R37	0.36	3609	26		GKF87R57	0.25			
5.0	279	10	GKAF67R37	0.42	3106	26		GKA87R57				
5.7	246	10	GK67R37	0.48	2728	26		GKAF87R57	0.25			
6.4	217	10	GKF67R37					GK87R57				
7.3	191	10	GKA67R37					GKF87R57	0.37			
			GKAF67R37	0.56	2371	26		GKA87R57				
1550	0.09	15336	15		0.12						0.25	
	0.09	14066	15			0.64		2086	26	GK87R57		
	0.11	11976	15			0.72		1854	26	GKF87R57		
	0.13	10234	15						GKA87R57	0.37		
	0.15	8824	15			0.80	1658	26	GKAF87R57			
	0.17	7540	15	GK77R37		0.94	1415	26	GK87R57			
	0.20	6617	15	GKF77R37		1.08	1229	26	GKF87R57			
	0.23	5784	15	GKA77R37					GKA87R57	0.55		
	0.26	5097	15	GKAF77R37		1.3	1078	26	GKAF87R57			
	0.29	4497	15			1.5	951	26	GK87R57			
	0.33	3968	15			1.7	837	26	GKF87R57	0.75		
	0.38	3490	15			1.9	726	26	GKA87R57			
	0.45	2906	15			2.2	638	26	GKAF87R57			
	0.48	2721	15						GK87R57	1.1		
						2.5	562	26	GKF87R57			
	0.55	2374	15	GK77R37		3.0	474	26	GKA87R57			
				GKF77R37		3.3	426	26	GKAF87R57	1.5		
			GKA77R37	3.8	373	26	GK87R57					
			GKAF77R37	4.2	330	26	GKF87R57					
0.64	2053	15	GK77R37				GKA87R57	2.2				
0.74	1775	15	GKF77R37	4.9	294	26	GK87R57					
0.86	1516	15	GKA77R37	5.7	250	26	GKF87R57					
			GKAF77R37	6.1	236	26	GKA87R57					
1.0	1390	15	GK77R37	7.1	201	26	GKAF87R57					
1.1	1220	15	GKF77R37									
1.3	1054	15	GKA77R37									

选型参数表
(恒扭矩)

Selection Table
(Constant Torque)

Mamax [Nm]	n _a [r/min]	i	F _{ra} [kN]	机型号 Type size	P [kW]/4P	Mamax [Nm]	n _a [r/min]	i	F _{ra} [kN]	机型号 Type size	P [kW]/4P			
4300	0.07	18091	38		0.12	8000				GK107R77	0.18			
	0.08	16666	38				0.12	10678	62	GKF107R77				
	0.09	14896	38				0.14	9524	62	GKA107R77				
	0.10	13183	38	GK97R57			0.16	8328	62	GKAF107R77				
	0.11	11677	38	GKF97R57						GK107R77				
	0.13	10317	38	GKA97R57			0.25	0.18	7269	62		GKF107R77	0.25	
	0.14	9083	38	GKAF97R57				0.22	6184	62		GKA107R77		
	0.16	8055	38					0.23	5662	62		GKAF107R77		
	0.19	6969	38									GK107R77		
	0.22	6027	38	GK97R57				0.26	5138	62		GKF107R77		0.37
	0.24	5392	38	GKF97R57				0.31	4360	62		GKA107R77		
	0.28	4669	38	GKA97R57			0.35	3811	62	GKAF107R77				
	0.32	4081	38	GKAF97R57					GK107R77	0.55				
	0.37	3583	38	GK97R57	0.41		3358	62	GKF107R77					
				GKF97R57	0.47		2977	62	GKA107R77					
	0.43	3108	38	GKA97R57	0.54		2598	62	GKAF107R77	0.75				
				GKAF97R57	0.61		2286	62	GK107R77					
			38	GK97R57	0.61		2286	62	GKF107R77					
	0.48	2756	38	GKF97R57	0.72		1939	62	GKA107R77	1.1				
			38	GKA97R57					GKAF107R77					
			38	GKAF97R57	0.82		1713	62	GKF107R77					
	0.55	2419	38	GK97R57	0.90		1555	62	GKA107R77	1.5				
				GKF97R57	1.0		1336	62	GKAF107R77					
	0.63	2123	38	GKA97R57					GK107R77					
			GKAF97R57	1.2	1166	62	GKF107R77	2.2						
0.75	1856	38	GK97R57	1.4	1030	62	GKA107R77							
0.86	1625	38	GKF97R57	1.5	904	62	GKAF107R77							
0.97	1430	38	GKA97R57				GK107R77	3.0						
1.1	1261	38	GKAF97R57	1.8	793	62	GKF107R77							
			GK97R57	2.1	696	62	GKA107R77							
1.3	1102	38	GKF97R57	2.3	614	62	GKAF107R77	4.0						
			GKA97R57	2.7	522	62	GK107R77							
1.5	957	38	GKAF97R57	2.7	522	62	GKF107R77							
			GK97R57	3.1	461	62	GKA107R77	5.5						
1.6	855	38	GKF97R57	3.5	408	62	GK107R77							
1.9	743	38	GKA97R57	3.5	408	62	GKF107R77							
2.2	651	38	GKAF97R57	4.0	364	62	GKA107R77	0.18						
2.4	573	38	GK97R57	4.0	364	62	GKAF107R77							
2.8	504	38	GKF97R57	4.5	318	62	GKF107R77							
			GKA97R57	5.0	286	62	GKA107R77	0.25						
3.3	437	38	GKAF97R57	5.7	251	62	GKAF107R77							
3.7	382	38	GK97R57	0.08	17396	75	GK127R77							
4.2	342	38	GKF97R57	0.08	15859	75	GKF127R77	0.18						
			GKA97R57	0.09	14843	75	GKA127R77							
4.7	305	38	GKAF97R57	0.11	12331	75	GKAF127R77							
5.5	258	38	GK97R57	0.12	10819	75	GK127R77	0.25						
6.2	232	38	GKF97R57	0.12	10819	75	GKF127R77							
			GKA97R57	0.14	9801	75	GKA127R77							
			GKAF97R57				GKAF127R77	0.37						
7.2	199	38	GK97R57	0.16	8366	75	GKF127R77							
			GKF97R57	0.18	7329	75	GKA127R77							
			GKA97R57	0.21	6430	75	GKAF127R77	0.12						
			GKAF97R57				GK107R77							
8000	0.09	14311	62	GK107R77	0.12									
				GKF107R77										
	0.11	12211	62	GKA107R77										
				GKAF107R77										

选型参数表
(恒扭矩)

Selection Table
(Constant Torque)

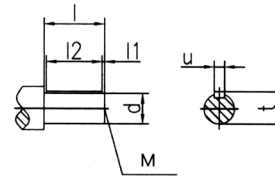
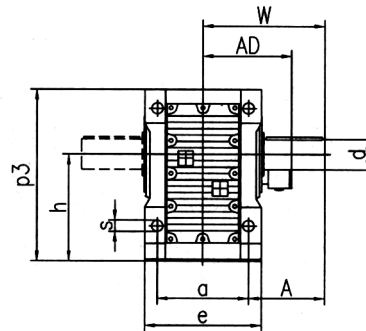
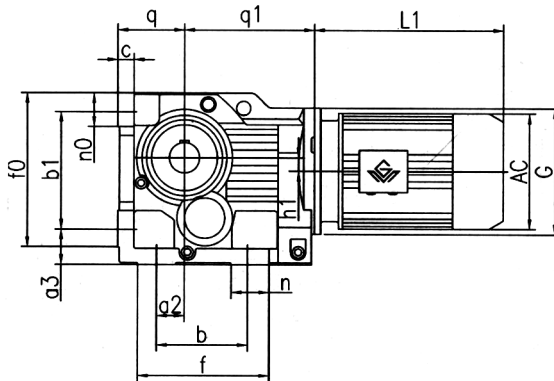
Mamax [Nm]	n _a [r/min]	i	F _{ra} [kN]	机型号 Type size	P [kW]/4P	Mamax [Nm]	n _a [r/min]	i	F _{ra} [kN]	机型号 Type size	P [kW]/4P
13000	0.24	5793	75	GK127R77	0.55	18000	0.12	11431	107	GK157R97	0.55
	0.28	4924	75	GKF127R77			0.14	10219	107	GKF157R97	
	0.32	4332	75	GKA127R77			0.16	8885	107	GKA157R97	
	0.36	3854	75	GKAF127R77			0.18	7777	107	GKAF157R97	
	0.42	3282	75	GK127R77	0.75		0.27	5102	107		
				GKF127R77			0.31	4561	107	GK157R97	
	0.47	2982	75	GKA127R77			0.35	4001	107	GKF157R97	
				GKAF127R77	0.39		3578	107	GKA157R97		
	0.54	2584	75	GK127R77	1.1		0.45	3110	107	GKAF157R97	
	0.62	2248	75	GKF127R77			0.53	2625	107	GK157R97	
				GKA127R77	1.5					GKF157R97	
				GKAF127R77			0.60	2346	107	GKA157R97	
	0.73	1909	75	GK127R77	1.1					GKAF157R97	
				GKF127R77			0.70	2040	107	GK157R97	
				GKA127R77	1.5					GKF157R97	
				GKAF127R77			0.78	1824	107	GKA157R97	
	0.80	1741	75	GK127R77	1.5					GKAF157R97	
	0.92	1527	75	GKF127R77			0.86	1668	107	GK157R97	
				GKA127R77	2.2					GKF157R97	
				GKAF127R77			1.04	1373	107	GKA157R97	
	1.1	1335	75	GK127R77	2.2					GKAF157R97	
	1.2	1171	75	GKF127R77			1.2	1236	107	GK157R97	
	1.4	1000	75	GKA127R77	3.0					GKF157R97	
				GKAF127R77			1.3	1105	107	GKA157R97	
1.6	877	75	GK127R77	3.0				GKAF157R97			
1.8	783	75	GKF127R77		1.5	960	107	GK157R97			
2.0	698	75	GKA127R77	4.0				GKF157R97			
			GKAF127R77		1.7	870	107	GKA157R97			
2.4	605	75	GK127R77	4.0				GKAF157R97			
			GKF127R77		1.9	760	107	GK157R97			
2.6	548	75	GKA127R77	5.5				GKF157R97			
			GKAF127R77		2.2	665	107	GKA157R97			
3.0	473	75	GK127R77	5.5				GKAF157R97			
			GKF127R77		2.5	570	107	GK157R97			
3.5	410	75	GKA127R77	7.5				GKF157R97			
			GKAF127R77		2.8	510	107	GKA157R97			
			GK127R87	4.0				GKAF157R97			
			GKF127R87		3.3	437	107	GK157R97			
2.7	541	75	GKA127R87	5.5				GKF157R97			
			GKAF127R87		3.8	381	107	GKA157R97			
3.0	477	75	GK127R87	7.5				GKAF157R97			
			GKF127R87		4.2	340	107	GK157R97			
3.4	423	75	GKA127R87	11				GKF157R97			
			GKAF127R87		5.0	293	107	GKA157R97			
			GK127R87	7.5				GKAF157R97			
			GKF127R87		3.7	392	107	GK157R107			
3.9	369	75	GKA127R87	7.5				GKF157R107			
4.3	333	75	GKAF127R87		4.4	331	107	GKA157R107			
5.0	289	75	GK127R87	11				GKAF157R107			
			GKF127R87		4.8	303	107	GK157R107			
			GKA127R87	15				GKF157R107			
			GKAF127R87		5.7	258	107	GKA157R107			
18000	0.08	17778	107	GK157R97	0.55	6.2	235	107	GK157R107	15	
	0.09	15892	107	GKF157R97		6.8	216	107	GKA157R107		
	0.09	14803	107	GKA157R97					GKAF157R107		
	0.11	13233	107	GKAF157R97					GKAF157R107		

选型参数表
(恒扭矩)
Selection Table
(Constant Torque)

Mamax [Nm]	n _a [r/min]	i	F _{ra} [kN]	机型号 Type size	P [kW]/4P	Mamax [Nm]	n _a [r/min]	i	F _{ra} [kN]	机型号 Type size	P [kW]/4P	
32000	0.07	19598	135		0.55	50000	0.05	29171	171		0.55	
	0.08	17297	135					0.06	24289	171		GK187R97
	0.09	14751	135	GK167R97				0.07	21774	171		GKA187R97
	0.11	13019	135	GKA167R97				0.08	17118	171		
	0.12	11500	135					0.09	15181	171		
	0.14	10199	135					0.11	12761	171		GK187R97
	0.16	8573	135	GK167R97 GKA167R97	0.75		0.12	11727	171	GKA187R97		0.75
	0.22	6453	135	GK167R97	1.1		0.13	10414	171			
	0.27	5266	135	GKA167R97			0.15	9311	171	GK187R97		
	0.30	4708	135	GK167R97	1.5		0.17	8372	171	GKA187R97		1.1
	0.35	4052	135	GKA167R97			0.19	7266	171			
	0.43	3320	135	GK167R97	2.2		0.21	6565	171	GK187R97		
	0.52	2709	135	GKA167R97			0.23	6033	171	GKA187R97		1.5
	0.63	2249	135	GK167R97	3		0.26	5358	171			
	0.65	2168	135	GKA167R97			0.30	4790	171	GK187R97		
	0.85	1693	135	GK167R97	4		0.33	4307	171	GKA187R97		2.2
	1.0	1384	135	GKA167R97			0.37	3806	171			
	1.1	1274	135	GK167R97	5.5		0.44	3227	171	GK187R97		
	1.3	1094	135	GKA167R97			0.52	2737	171	GKA187R97		3
	1.6	929	135	GK167R97	7.5		0.64	2252	171	GK187R97		
	1.7	838	135	GKA167R97			0.71	2028	171	GKA187R97		4
	1.9	744	135				0.78	1836	171			
	2.6	551	135	GK167R97	11		0.88	1628	171	GK187R97		
	3.1	473	135	GKA167R97			1.1	1326	171	GKA187R97		5.5
3.5	420	135	GK167R97	15	1.2	1247	171	GK187R97				
4.0	362	135	GKA167R97		1.3	1073	171	GKA187R97	7.5			
4.9	300	135	GK167R107 GKA167R107	18.5	2.4	610	171	GK187R97	15			
5.6	262	135	GK167R107	22	2.6	558	171	GKA187R97				
6.1	241	135	GKA167R107		3.1	473	171	GK187R97 GKA187R97	18.5			
7.0	211	135	GK167R107	30	1.8	835	171	GK187R107 GKA187R107	11			
7.6	194	135	GKA167R107		2.0	728	171	GK187R107	15			
8.3	178	135			2.5	592	171	GKA187R107				
9.8	151	135	GK167R107 GKA167R107	37	3.3	450	171	GK187R107	18.5			
11.6	128	135	GK167R107	45	3.7	393	171	GKA187R107				
13.2	112	135	GKA167R107		4.1	355	171	GK187R107 GKA187R107	30			
					6.6	226	171	GK187R107 GKA187R107	37			
					7.8	191	171	GK187R107				
					8.9	167	171	GKA187R107	45			
					10.5	141	171					

GK37-157
安装结构尺寸

GK37-157
Mounting Dimensional Description



规格 Specification	a b	a ₂ h	b ₁ q	q ₁ h ₁	s a ₃	d l	l ₁ l ₂	u t	w A	e p ₃	c n ₀	f ₀ f	n M	G	电机尺寸 Motor Size			
															AC	AD	L1	
GK37	100 110	28 100 _{-0.5}	115 63 _{-0.5}	139 8.5	Φ 11 32	Φ 25k6 50	5 40	8 28	110 60	120 165	16 37	150 143	38 M10	Φ 120	见附录 A-2 Please see appendix A-2			
GK47	120 130	35 112 _{-0.5}	130 71 _{-0.5}	166 7.2	Φ 11 37	Φ 30k6 60	3.5 50	8 33	135 75	145 185	18 37	170 162	32 M10	Φ 160				
GK57	130 130	30 132 _{-0.5}	150 80 _{-0.5}	173 13.1	Φ 13.5 45	Φ 35k6 70	7 56	10 38	153 88	157 217	21 43	190 172	40 M12	Φ 160				
GK67	140 120	30 140 _{-0.5}	160 90 _{-0.5}	179 20	Φ 13.5 45	Φ 40k6 80	5 70	12 43	171 101	170 228	24 43	203 170	45 M16	Φ 160				
GK77	165 150	40 180 _{-0.5}	200 112 _{-0.5}	202 31.3	Φ 17.5 55	Φ 50k6 100	10 80	14 53.5	206 123.5	200 288	27 55	263 208	55 M16	Φ 200				
GK87	180 180	55 212 _{-0.5}	233 132 _{-0.5}	257 25.9	Φ 22 70	Φ 60m6 120	5 110	18 64	240 150	230 340	32 67	305 260	75 M20	Φ 250				
GK97	240 240	75 265 ₋₁	295 160 _{-0.5}	277 32.3	Φ 26 75	Φ 70m6 140	7.5 125	20 74.5	291 171	290 417	36 82	372 294	60 M20	Φ 300				
GK107	270 280	95 315 ₋₁	360 200 _{-0.5}	341 52	Φ 33 95	Φ 90m6 170	5 160	25 95	347 212	340 503	40 98	448 380	100 M24	Φ 350				
GK127	330 350	115 375 ₋₁	420 225 _{-0.5}	390 53	Φ 39 110	Φ 110m6 210	15 180	28 116	418 253	400 592	45 111	526 440	100 M24	Φ 450				
GK157	420 380	140 450 ₋₁	500 280 ₋₁	426 71.7	Φ 39 130	Φ 120m6 210	5 200	32 127	457 247	500 705	50 130	634 480	100 M24	Φ 550				

注：电机需方配或配特殊电机时需加联接法兰(见附录 D)

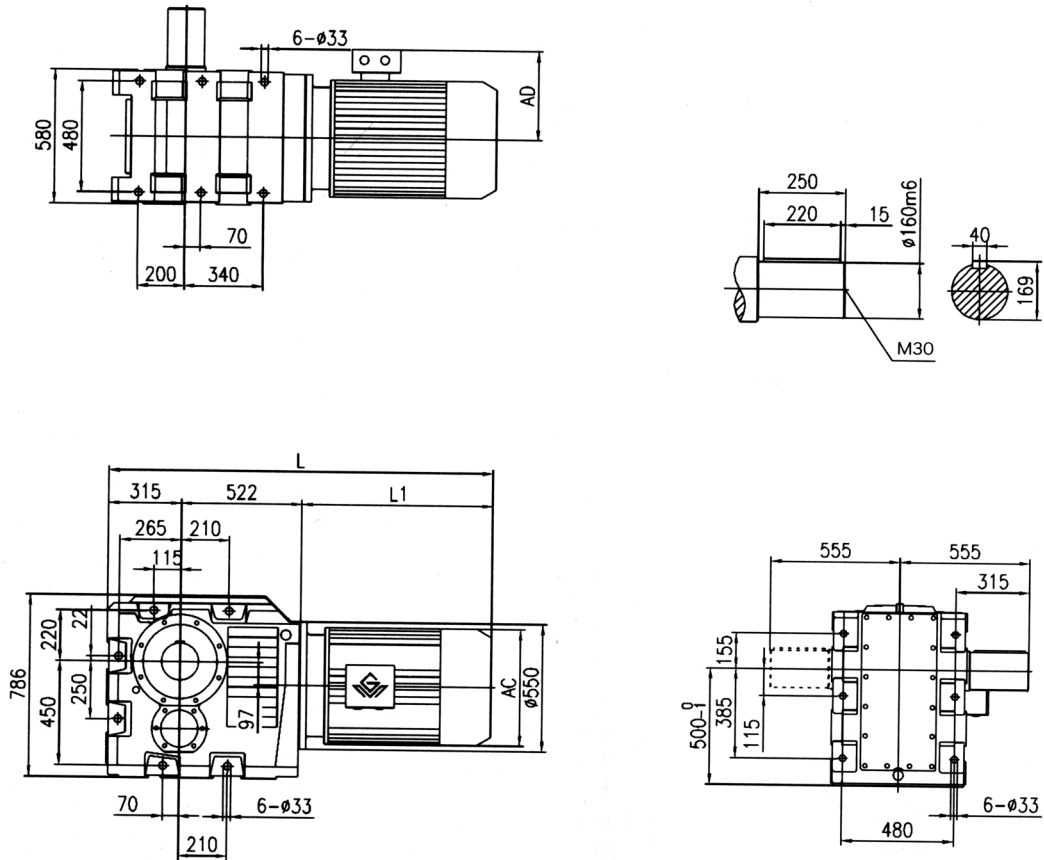
Note: When equipping the user's motor or the special one, the flange is required to connected.(Please see appendix D)

GK167

安装结构尺寸

GK167

Mounting Dimensional Description



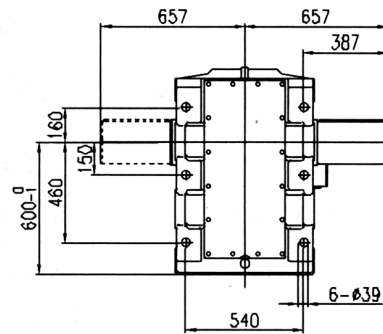
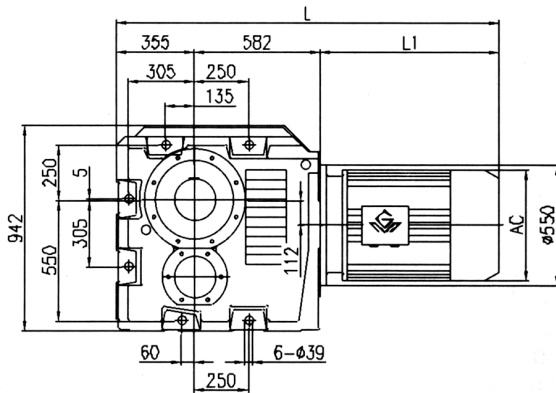
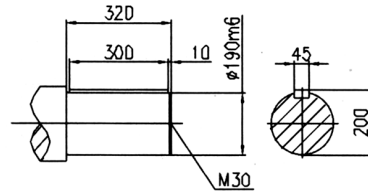
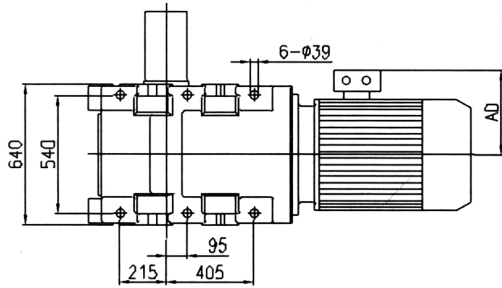
电机机座号 Motor fram size	160M	160L	180M	180L	200	225S	225M	250M	280S	280M	315S	315M	315L
AC	330	330	380	380	420	470	470	510	580	580	645	645	645
AD	255	255	280	280	305	335	335	370	410	410	530	530	576
L1	505	560	590	630	660	675	705	770	845	895	1100	1130	1310
L	1342	1397	1427	1467	1497	1512	1542	1607	1682	1732	1937	1967	2147

注:电机需方配或配特殊电机时需加联接法兰(见附录 D)

Note: When equipping the user's motor or the special one, the flange is required to connected.(Please see appendix D)

GK187
安装结构尺寸

GK187
Mounting Dimensional Description



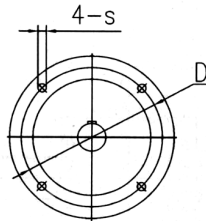
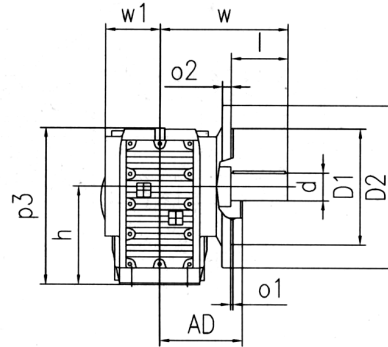
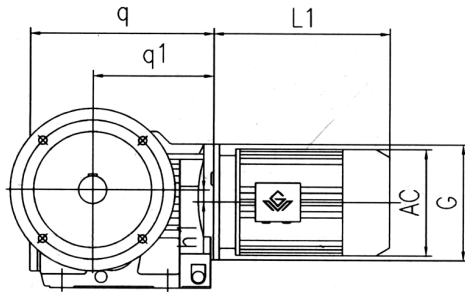
电机机座号 Motor fram size	160L	180M	180L	200	225S	225M	250M	280S	280M	315S	315M	315L
AC	330	380	380	420	470	470	510	580	580	645	645	645
AD	255	280	280	305	335	335	370	410	410	530	530	576
L1	560	590	630	660	675	705	770	845	895	1100	1130	1310
L	1497	1527	1567	1597	1612	1642	1707	1782	1832	2037	2067	2247

注:电机需方配或配特殊电机时需加联接法兰(见附录 D)

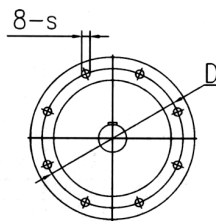
Note: When equipping the user's motor or the special one, the flange is required to connected.(Please see appendix D)

GKF37-157
安装结构尺寸

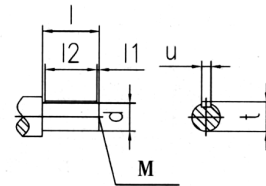
GKF37-157
Mounting Dimensional Description



GKF37-87



GKF97-157



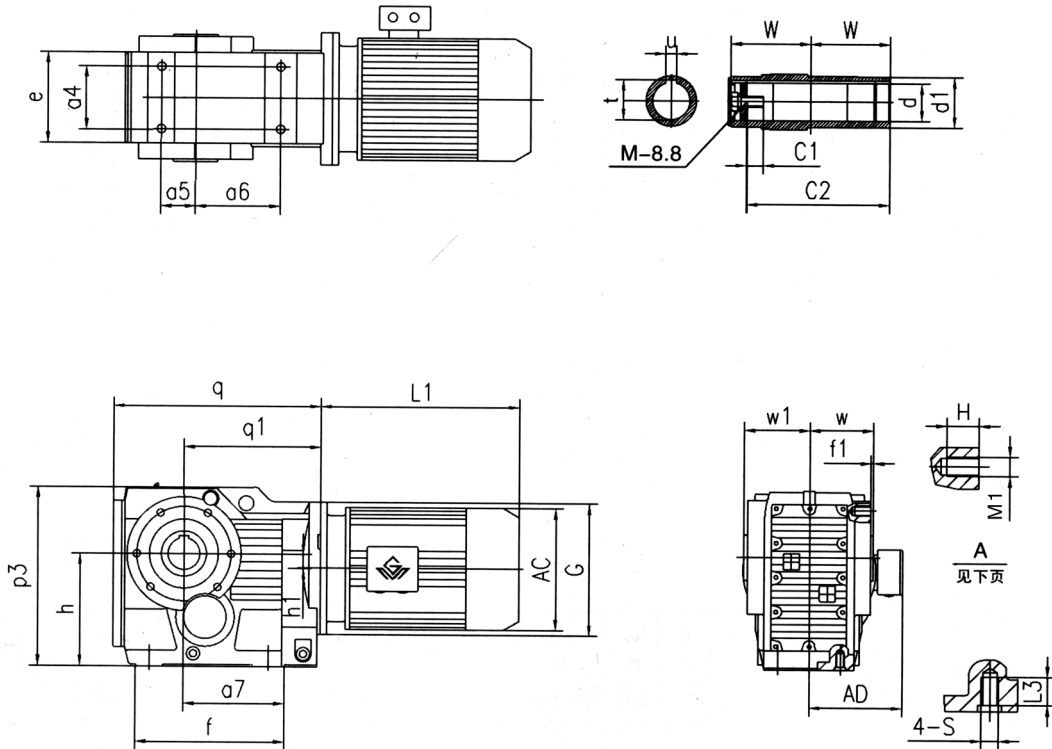
规格 Specification	s o ₂	q w	q ₁ w ₁	h ₁ l	D l ₁	D ₁ l ₂	D ₂ d	h M	p ₃ u	o ₁ t	G	电机尺寸 Motor Size			
												AC	AD	L1	
GKF37	Φ9 10	210 134	139 57.5	8.5 50	Φ130 5	Φ110j6 40	Φ160 Φ25k6	100 ^{-0.5} M10	164 8	3.5 28	Φ120	见附录 A-2 Please see appendix A-2			
GKF47	Φ11 10	243 160	166 72	7.2 60	Φ165 3.5	Φ130j6 50	Φ200 Φ30k6	112 ^{-0.5} M10	185 8	3.5 33	Φ160				
GKF57	Φ13.5 15	269 176.5	173 80	13.1 70	Φ215 7	Φ180j6 56	Φ250 Φ35k6	132 ^{-0.5} M12	215 10	4 38	Φ160				
GKF67	Φ13.5 15	274 193	179 86.5	20 80	Φ215 5	Φ180j6 70	Φ250 Φ40k6	140 ^{-0.5} M16	226 12	4 43	Φ160				
GKF77	Φ13.5 16	312 242	202 101	31.3 100	Φ265 10	Φ230j6 80	Φ300 Φ50k6	180 ^{-0.5} M16	286 14	4 53.5	Φ200				
GKF87	Φ17.5 18	390 270	257 116	25.9 120	Φ300 5	Φ250h6 110	Φ350 Φ60m6	212 ^{-0.5} M20	338 18	5 64	Φ250				
GKF97	Φ17.5 22	435 332	277 171	32.3 140	Φ400 7.5	Φ350h6 125	Φ450 Φ70m6	265 ⁻¹ M20	414 20	5 74.5	Φ300				
GKF107	Φ17.5 22	537 386	341 175	52 170	Φ400 5	Φ350h6 160	Φ450 Φ90m6	315 ⁻¹ M24	500 25	5 95	Φ350				
GKF127	Φ17.5 25	615 466	390 203	53 210	Φ500 15	Φ450h6 180	Φ550 Φ110m6	375 ⁻¹ M24	592 28	5 116	Φ450				
GKF157	Φ22 28	706 520	426 253	71.7 210	Φ600 5	Φ550h6 200	Φ660 Φ120m6	450 ⁻¹ M24	705 32	6 127	Φ550				

注:电机需方配或配特殊电机时需加联接法兰(见附录 D)

Note: When equipping the user's motor or the special one, the flange is required to connected.(Please see appendix D)

GKA37-107
安装结构尺寸

GKA37-107
Mounting Dimensional Description



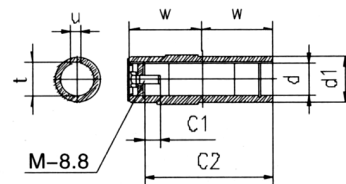
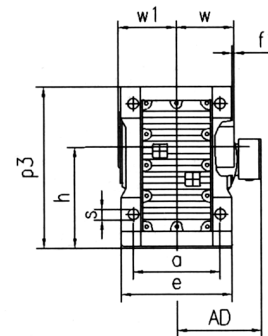
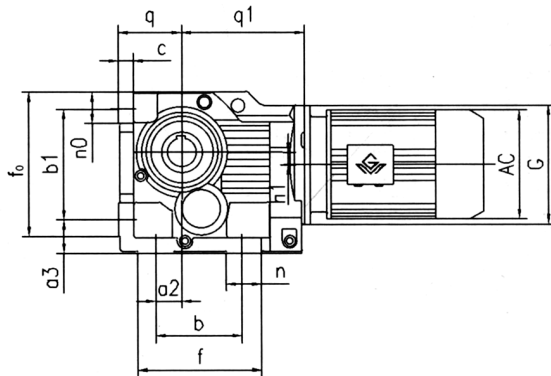
规格 Specification	s q	l_3 q_1	e w	a_4 d	a_5 d_1	a_6 t	a_7 u	f f_1	h H	h_1 M_1	p_3 c_1	c_2 M	G W_1	电机尺寸 Motor Size			
														AC	AD	L1	
GKA37	M10 210	20 139	100 60	60 $\Phi 30H7$	35 $\Phi 45$	82 33.3	97 8	147 2.5	$100_{-0.5}$ 12	8.5 M8	164 17	105 M10x25	$\Phi 120$ 63	见附录 A-2 Please see appendix A-2			
GKA47	M10 243	20 166	110 75	70 $\Phi 35H7$	40 $\Phi 50$	100 38.3	115 10	170 3	$112_{-0.5}$ 12	7.2 M8	185 22	132 M12x30	$\Phi 160$ 78				
GKA57	M12 269	25 173	122 83	88 $\Phi 40H7$	47 $\Phi 55$	105 43.3	120 12	182 3	$132_{-0.5}$ 20	13.1 M12	215 29	142 M16x40	$\Phi 160$ 86				
GKA67	M12 274	25 179	130 90	88 $\Phi 40H7$	42 $\Phi 55$	110 43.3	125 12	182 3.5	$140_{-0.5}$ 20	20 M12	226 29	156 M16x40	$\Phi 160$ 94				
GKA77	M16 312	32 202	156 105	102 $\Phi 50H7$	48 $\Phi 70$	122 53.8	139 14	204 4	$180_{-0.5}$ 20	31.3 M12	286 32	183 M16x45	$\Phi 200$ 108				
GKA87	M16 390	32 257	170 120	118 $\Phi 60H7$	65 $\Phi 85$	160 64.4	190 18	280 4	$212_{-0.5}$ 26	25.9 M16	338 36	210 M20x50	$\Phi 250$ 123				
GKA97	M20 435	36 277	226 150	160 $\Phi 70H7$	83 $\Phi 95$	165 74.9	190 20	298 4	265_{-1} 26	32.3 M16	414 34	270 M20x50	$\Phi 300$ 153				
GKA107	M24 537	44 341	266 175	190 $\Phi 90H7$	100 $\Phi 118$	190 95.4	230 25	370 2.5	315_{-1} /	52 /	500 40	313 M24x60	$\Phi 350$ 178				

注:电机需方配或配特殊电机时需加联接法兰(见附录 D)

Note: When equipping the user's motor or the special one, the flange is required to connected.(Please see appendix D)

GKA127-157
安装结构尺寸

GKA127-157
Mounting Dimensional Description

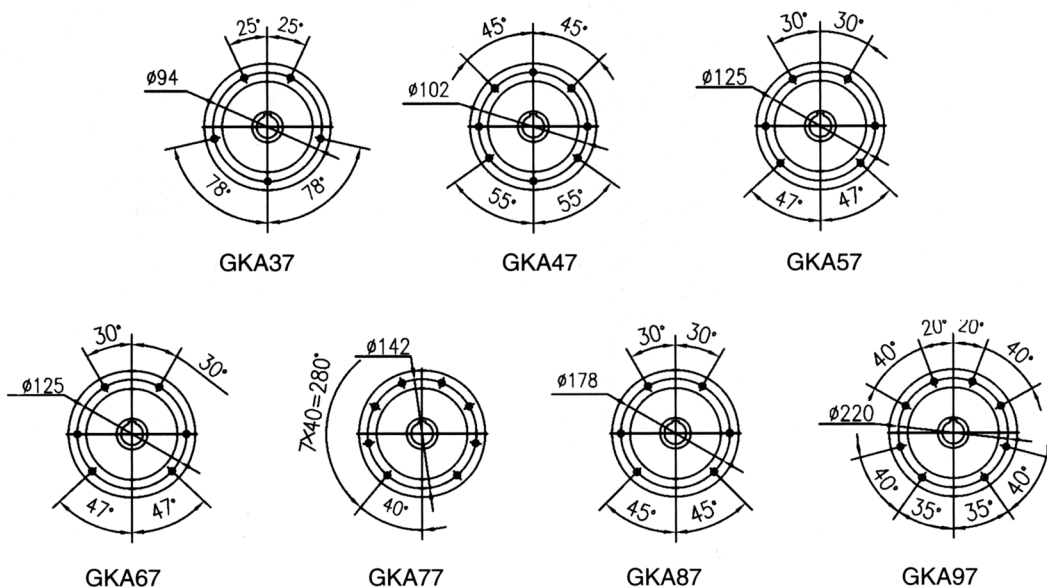


规格 Specification	s	p ₃	h	a	e	f ₁	w	d	d ₁	t	u	f	c ₂	G	电机尺寸 Motor Size		
	b	a ₂	n	f ₀	a ₃	b ₁	n ₀	h ₁	c	q	q ₁	c ₁	M	W ₁	AC	AD	L1
GKA127	Φ39 350	592 115	375 ₋₁ 100	330 526	400 110	2.5 420	205 111	Φ100H7 53	Φ135 45	106.4 225 _{-0.5}	28 390	440 38	373 M24x60	Φ450 208	见附录 A-2 Please see appendix A-2		
GKA157	Φ39 380	705 140	450 ₋₁ 100	420 634	500 130	7 500	250 130	Φ120H7 71.7	Φ155 50	127.4 280 ₋₁	32 426	480 36	460 M24x60	Φ550 253			

注:电机需方配或配特殊电机时需加联接法兰(见附录 D)

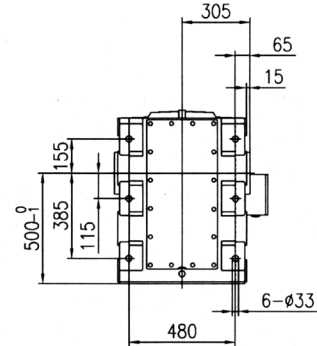
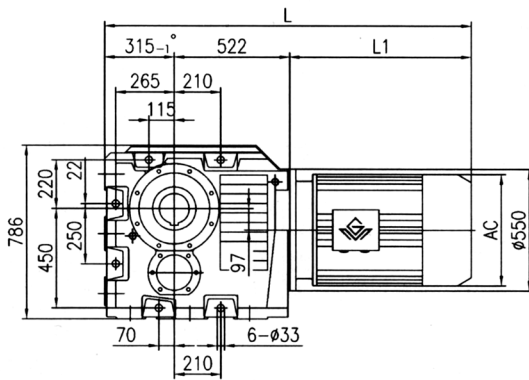
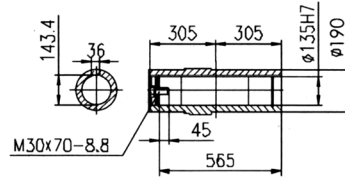
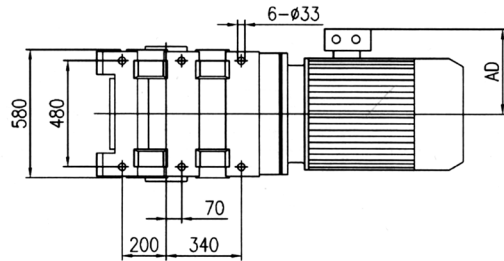
Note: When equipping the user's motor or the special one, the flange is required to connected.(Please see appendix D)

A向法兰安装结构尺寸 (Fig.A Mounting Dimension)



GKA167
安装结构尺寸

GKA167
Mounting Dimensional Description



电机机座号 Motor fram size	160M	160L	180M	180L	200	225S	225M	250M	280S	280M	315S	315M	315L
AC	330	330	380	380	420	470	470	510	580	580	645	645	645
AD	255	255	280	280	305	335	335	370	410	410	530	530	576
L1	505	560	590	630	660	675	705	770	845	895	1100	1130	1310
L	1342	1397	1427	1467	1497	1512	1542	1607	1682	1732	1937	1967	2147

注:电机需方配或配特殊电机时需加联接法兰(见附录 D)

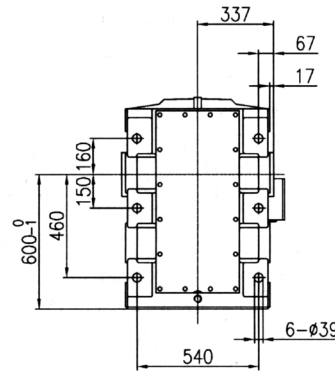
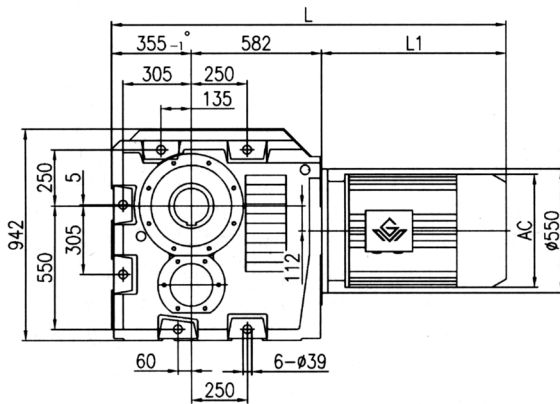
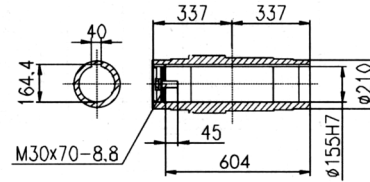
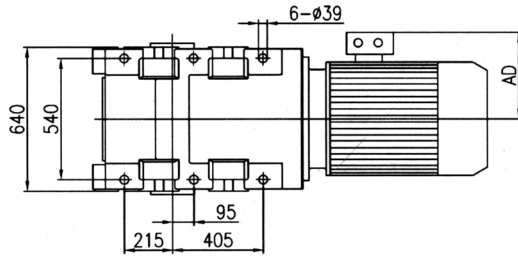
Note: When equipping the user's motor or the special one, the flange is required to connected.(Please see appendix D)

GKA187

安装结构尺寸

GKA187

Mounting Dimensional Description



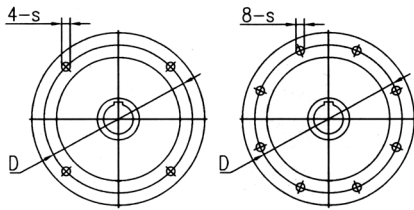
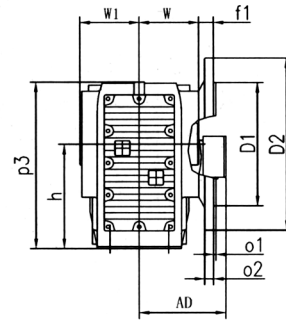
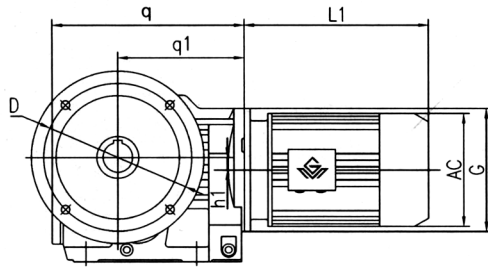
电机机座号 Motor fram size	160L	180M	180L	200	225S	225M	250M	280S	280M	315S	315M	315L
AC	330	380	380	420	470	470	510	580	580	645	645	645
AD	255	280	280	305	335	335	370	410	410	530	530	576
L1	560	590	630	660	675	705	770	845	895	1100	1130	1310
L	1497	1527	1567	1597	1612	1642	1707	1782	1832	2037	2067	2247

注:电机需方配或配特殊电机时需加联接法兰(见附录 D)

Note: When equipping the user's motor or the special one, the flange is required to connected.(Please see appendix D)

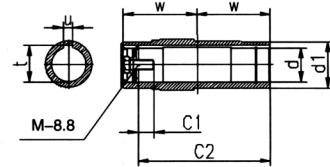
GKAF37-157
安装结构尺寸

GKAF37-157
Mounting Dimensional Description



GKAF37-87

GKAF97-157



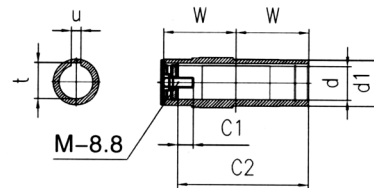
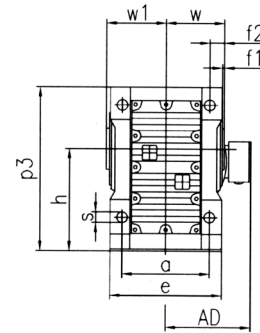
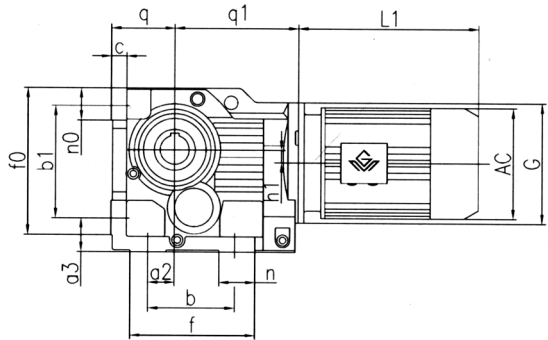
规格 Specification	s o ₁	q o ₂	q ₁ w	h ₁ f ₁	D d	D ₁ d ₁	D ₂ u	h t	p ₃ c ₁	c ₂ M	G W ₁	电机尺寸 Motor Size			
												AC	AD	L1	
GKAF37	Φ9 3.5	210 10	139 60	8.5 24	Φ130 Φ30H7	Φ110j6 Φ45	Φ160 8	100 _{-0.5} 33.3	164 17	105 M10x25	Φ120 63	见附录 A-2 Please see appendix A-2			
GKAF47	Φ11 3.5	243 10	166 75	7.2 25	Φ165 Φ35H7	Φ130j6 Φ50	Φ200 10	112 _{-0.5} 38.3	185 22	132 M12x30	Φ160 78				
GKAF57	Φ13.5 4	269 15	173 83	13.1 23.5	Φ215 Φ40H7	Φ180j6 Φ55	Φ250 12	132 _{-0.5} 43.3	215 29	142 M16x40	Φ160 86				
GKAF67	Φ13.5 4	274 15	179 90	20 23	Φ215 Φ40H7	Φ180j6 Φ55	Φ250 12	140 _{-0.5} 43.3	226 29	156 M16x40	Φ160 94				
GKAF77	Φ13.5 4	312 16	202 105	31.3 37	Φ265 Φ50H7	Φ230j6 Φ70	Φ300 14	180 _{-0.5} 53.8	286 32	183 M16x45	Φ200 108				
GKAF87	Φ17.5 5	390 18	257 120	25.9 30	Φ300 Φ60H7	Φ250h6 Φ85	Φ350 18	212 _{-0.5} 64.4	338 36	210 M20x50	Φ250 123				
GKAF97	Φ17.5 5	435 22	277 150	32.3 41.5	Φ400 Φ70H7	Φ350h6 Φ95	Φ450 20	265 ₋₁ 74.9	414 34	270 M20x50	Φ300 153				
GKAF107	Φ17.5 5	537 22	341 175	52 41	Φ400 Φ90H7	Φ350h6 Φ118	Φ450 25	315 ₋₁ 95.4	500 40	313 M24x60	Φ350 178				
GKAF127	Φ17.5 5	615 25	390 205	53 51	Φ500 Φ100H7	Φ450h6 Φ135	Φ550 28	375 ₋₁ 106.4	592 38	373 M24x60	Φ450 208				
GKAF157	Φ22 6	706 28	426 250	71.7 60	Φ600 Φ120H7	Φ550h6 Φ155	Φ660 32	450 ₋₁ 127.4	705 36	460 M24x60	Φ550 253				

注:电机需方配或配特殊电机时需加联接法兰(见附录 D)

Note: When equipping the user's motor or the special one, the flange is required to connected.(Please see appendix D)

GKAB47-107
安装结构尺寸

GKAB47-107
Mounting Dimensional Description



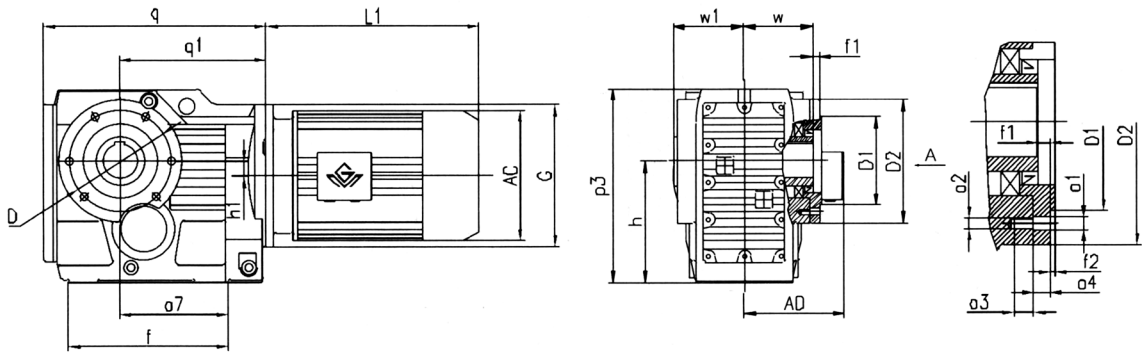
规格 Specification	s b	p ₃ a ₂	h n	a f ₀	e a ₃	f ₁ b ₁	w n ₀	d h ₁	d ₁ c	t q	u q ₁	f f ₂	c ₁ c ₂	W ₁ M	G	电机尺寸 Motor Size			
																AC	AD	L1	
GKAB47	Φ11 130	185 35	112 _{-0.5} 32	120 170	145 37	3 130	75 37	Φ35H7 7.2	Φ50 18	38.3 71 _{-0.5}	10 166	162 15	22 132	78 M12x30	Φ160	见附录 A-2 Please see appendix A-2			
GKAB57	Φ13.5 130	217 30	132 _{-0.5} 40	130 190	157 45	3 150	83 43	Φ40H7 13.1	Φ55 21	43.3 80 _{-0.5}	12 173	172 18	29 142	86 M16x40	Φ160				
GKAB67	Φ13.5 120	228 30	140 _{-0.5} 45	140 203	170 45	3.5 160	90 43	Φ40H7 20	Φ55 24	43.3 90 _{-0.5}	12 179	170 20	29 156	93 M16x40	Φ160				
GKAB77	Φ17.5 150	288 40	180 _{-0.5} 55	165 263	200 55	4 200	105 55	Φ50H7 31.3	Φ70 27	53.8 112 _{-0.5}	14 202	208 22.5	32 183	108 M16x45	Φ200				
GKAB87	Φ22 180	340 55	212 _{-0.5} 75	180 305	230 70	4 233	120 67	Φ60H7 25.9	Φ85 32	64.4 132 _{-0.5}	18 257	260 30	36 210	123 M20x50	Φ250				
GKAB97	Φ26 240	417 75	265 ₋₁ 60	240 372	290 75	4 295	150 82	Φ70H7 32.3	Φ95 36	74.9 160 _{-0.5}	20 277	294 30	34 270	153 M20x50	Φ300				
GKAB107	Φ33 280	503 95	315 ₋₁ 100	270 448	340 95	2.5 360	175 98	Φ90H7 52	Φ118 40	95.4 200 _{-0.5}	25 341	380 40	40 313	178 M24x60	Φ350				

注:电机需方配或配特殊电机时需加联接法兰(见附录 D)

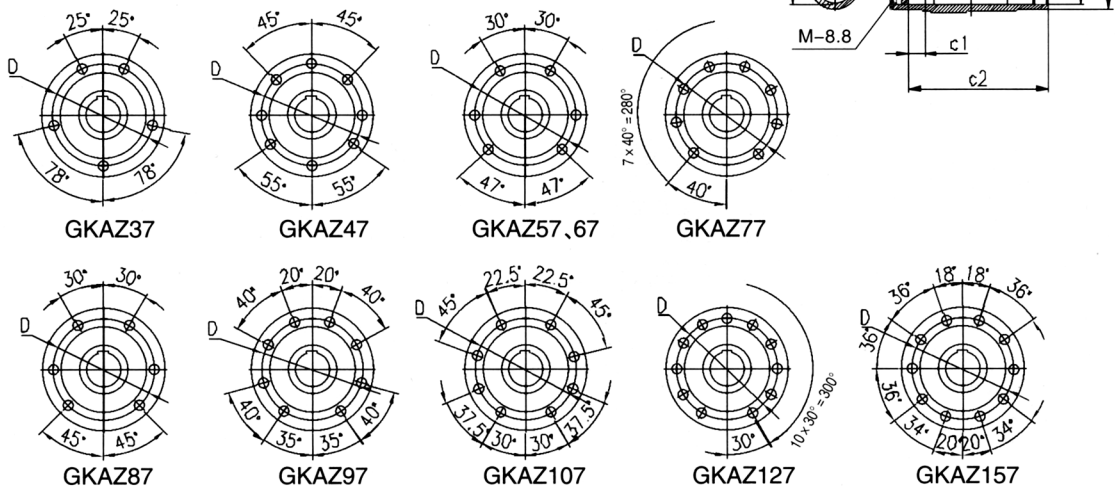
Note: When equipping the user's motor or the special one, the flange is required to connected.(Please see appendix D)

GKAZ37-157
安装结构尺寸

GKAZ37-157
Mounting Dimensional Description



A向法兰安装结构尺寸 (Fig.A Mounting Dimension)



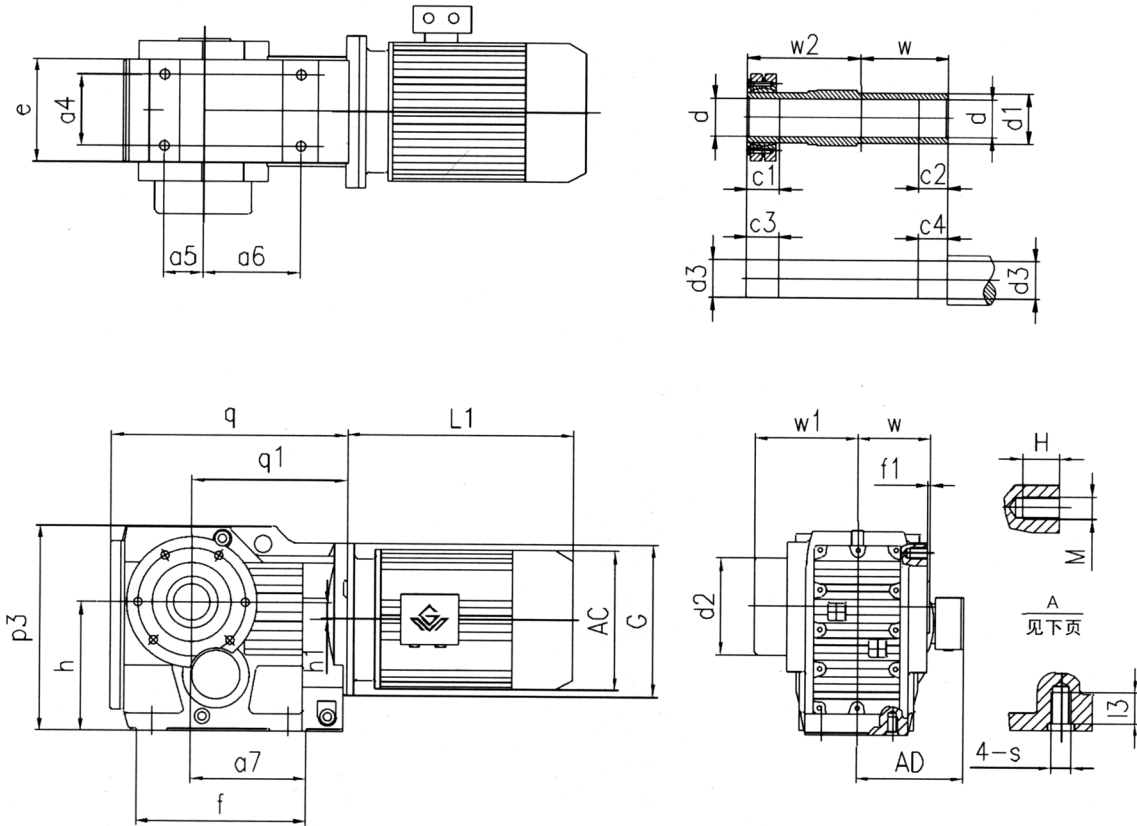
规格 Specification	q q ₁	D ₁ D ₂	h h ₁	p ₃ a ₇	f f ₁	w w ₁	d d ₁	c ₂ c ₁	t u	a ₃ a ₄	f ₂ a ₂	a ₁ D	G M	电机尺寸 Motor Size		
														AC	AD	L1
GKAZ37	210	Φ 80j6	100 ^{-0.5}	164	147	60	Φ 30H7	105	33.3	12	3	Φ 9	Φ 120	见附录 A-2 Please see appendix A-2		
	139	Φ 110	8.5	97	9	63	Φ 45	17	8	11.5	M8	Φ 94	M10x25			
GKAZ47	243	Φ 80j6	112 ^{-0.5}	185	170	75	Φ 35H7	132	38.3	12	3	Φ 9	Φ 160			
	166	Φ 120	7.2	115	8.5	78	Φ 50	22	10	11	M8	Φ 102	M12x30			
GKAZ57	269	Φ 105j6	132 ^{-0.5}	215	182	83	Φ 40H7	142	43.3	20	3.5	Φ 13.5	Φ 160			
	173	Φ 155	13.1	120	9	86	Φ 55	29	12	12	M12	Φ 125	M16x40			
GKAZ67	274	Φ 105j6	140 ^{-0.5}	226	182	90	Φ 40H7	156	43.3	20	3.5	Φ 13.5	Φ 160			
	179	Φ 155	20	125	8.5	94	Φ 55	29	12	12	M12	Φ 125	M16x40			
GKAZ77	312	Φ 125j6	180 ^{-0.5}	286	204	105	Φ 50H7	183	53.8	20	3.5	Φ 13.5	Φ 200			
	202	Φ 170	31.3	139	10	108	Φ 70	32	14	14	M12	Φ 142	M16x45			
GKAZ87	390	Φ 155j6	212 ^{-0.5}	338	280	120	Φ 60H7	210	64.4	26.15	4	Φ 17.5	Φ 250			
	257	Φ 215	25.9	190	11	123	Φ 85	36	18		M16	Φ 178	M20x50			
GKAZ97	435	Φ 180j6	265 ^{-1.0}	414	298	150	Φ 70H7	270	74.9	26.18	4	Φ 17.5	Φ 300			
	277	Φ 260	32.3	190	14	153	Φ 95	34	20		M16	Φ 220	M20x50			
GKAZ107	537	Φ 210j6	315 ^{-1.0}	500	370	175	Φ 90H7	313	95.4	30	4	Φ 22	Φ 350			
	341	Φ 304	52	230	-8	178	Φ 118	40	25	22	M20	Φ 260	M24x60			
GKAZ127	615	Φ 250h6	375 ^{-1.0}	592	440	205	Φ 100H7	373	106.4	28	5	Φ 22	Φ 450			
	390	Φ 350	53	288	0	208	Φ 135	38	28	30	M20	Φ 300	M24x60			
GKAZ157	706	Φ 290h6	450 ^{-1.0}	705	480	250	Φ 120H7	460	127.4	36	5	Φ 26	Φ 550			
	426	Φ 400	71.7	298	-14	253	Φ 155	36	32	28	M24	Φ 340	M24x60			

注: 电机需方配或配特殊电机时需加联接法兰(见附录 D)

Note: When equipping the user's motor or the special one, the flange is required to connected.(Please see appendix D)

GKH37-107
安装结构尺寸

GKH37-107
Mounting Dimensional Description



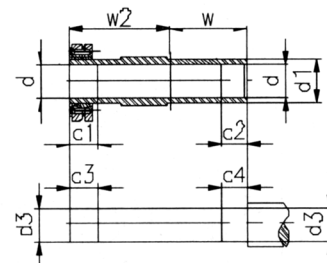
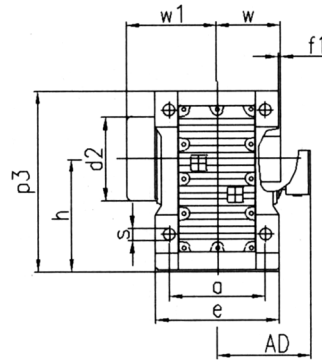
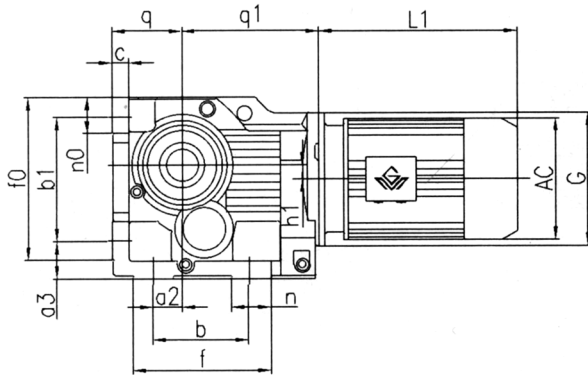
规格 Specification	q q ₁	h h ₁	e p ₃	a ₄ a ₅	a ₆ a ₇	f f ₁	d ₂ d ₁	d d ₃	w w ₁	w ₂ G	c ₁ c ₂	c ₃ c ₄	s l ₃	M H	电机尺寸 Motor Size			
															AC	AD	L1	
GKH37	210	100 ^{-0.5}	100	60	82	147	Φ75	Φ30H7	60	86	31	36	M10	M8	见附录 A-2 Please see appendix A-2			
	139	8.5	164	35	97	2.5	Φ45	Φ30h6	95	Φ120	20	25	20	12				
GKH47	243	112 ^{-0.5}	110	70	100	170	Φ83	Φ35H7	75	102	32	37	M10	M8				
	166	7.2	185	40	115	3	Φ50	Φ35h6	110	Φ160	20	25	20	12				
GKH57	269	132 ^{-0.5}	122	88	105	182	Φ83	Φ40H7	83	112	26	31	M12	M12				
	173	13.1	215	47	120	3	Φ55	Φ40h6	117	Φ160	20	25	25	20				
GKH67	274	140 ^{-0.5}	130	88	110	182	Φ93	Φ40H7	90	118	38	43	M12	M12				
	179	20	226	42	125	3.5	Φ55	Φ40h6	126	Φ160	20	25	25	20				
GKH77	312	180 ^{-0.5}	154	102	122	204	Φ114	Φ50H7	105	136	36	41	M16	M12				
	202	31.3	286	48	139	4	Φ70	Φ50h6	146	Φ200	30	35	32	20				
GKH87	390	212 ^{-0.5}	170	118	160	280	Φ159	Φ65H7	120	161	41	46	M16	M16				
	257	25.9	338	65	190	4	Φ85	Φ65h6	170	Φ250	40	45	32	26				
GKH97	435	265 ⁻¹	226	160	165	298	Φ174	Φ75H7	150	195	55	60	M20	M16				
	277	32.3	414	83	190	4	Φ95	Φ75h6	206	Φ300	50	55	36	26				
GKH107	537	315 ⁻¹	266	190	190	370	Φ200	Φ95H7	175	230	65	75	M24	/				
	341	52	500	100	230	2.5	Φ118	Φ95h6	245	Φ350	60	70	44	/				

注:电机需方配或配特殊电机时需加联接法兰(见附录 D)

Note: When equipping the user's motor or the special one, the flange is required to connected.(Please see appendix D)

GKH127-157
安装结构尺寸

GKH127-157
Mounting Dimensional Description

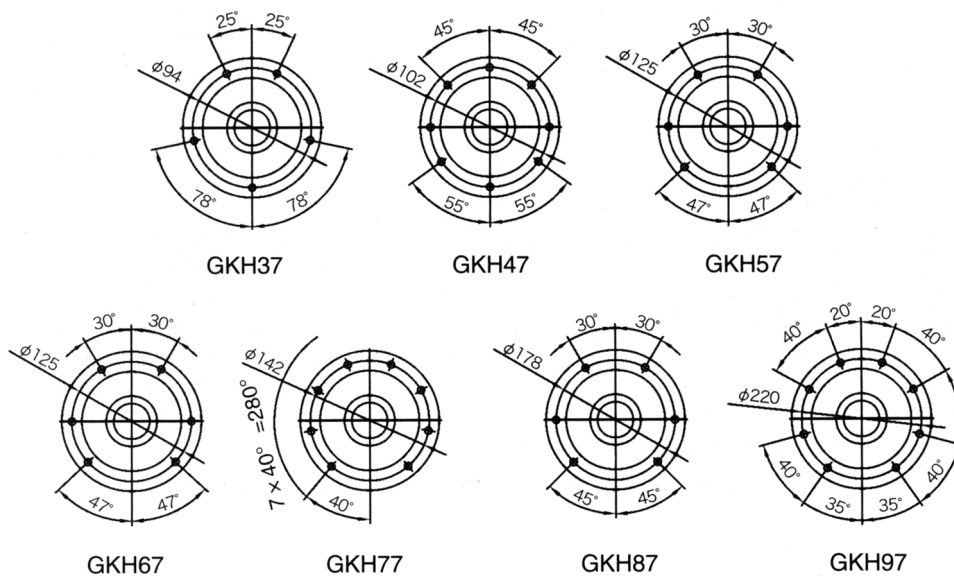


规格 Specification	q ₁	c	n ₀	f ₀	f	a ₂	h	a	w	w ₂	c ₁	c ₃	d ₂	d	h ₁	电机尺寸 Motor Size		
	q	s	b ₁	a ₃	n	b	p ₃	e	w ₁	f ₁	c ₂	c ₄	d ₁	d ₃	G	AC	AD	L1
GKH127	390 225 _{-0.5}	45 Φ39	111 420	526 110	440 100	115 350	375 ₋₁ 592	330 400	205 296	280 2.5	85 70	95 80	Φ233 Φ135	Φ105H7 Φ105h6	53 Φ450	见附录 A-2 Please see appendix A-2		
GKH157	426 280 ₋₁	50 Φ39	130 500	634 130	480 100	140 380	450 ₋₁ 705	420 500	250 370	330 /	90 80	100 90	Φ315 Φ155	Φ125H7 Φ125h6	71.7 Φ550			

注: 电机需方配或配特殊电机时需加联接法兰(见附录 D)

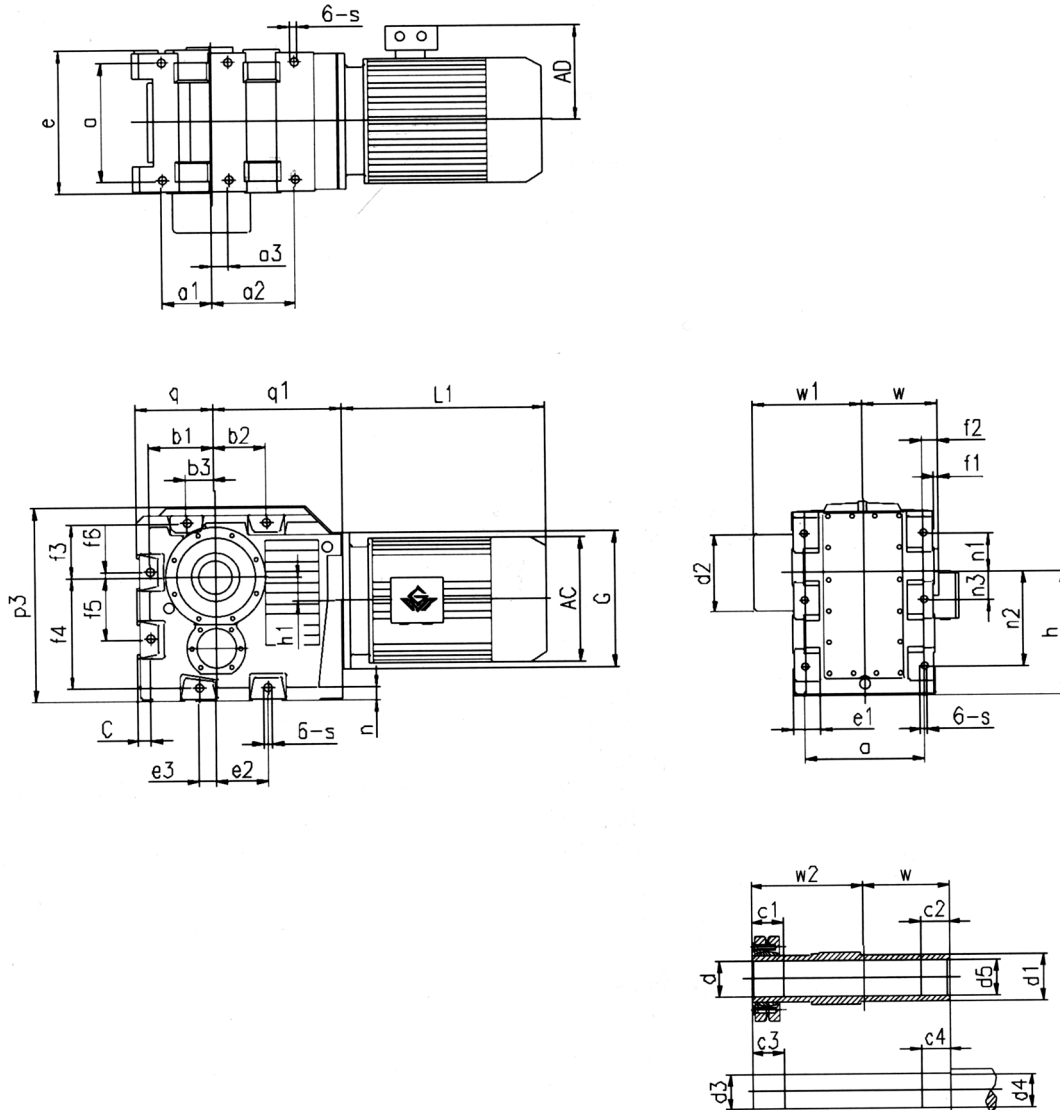
Note: When equipping the user's motor or the special one, the flange is required to connected.(Please see appendix D)

A向法兰安装结构尺寸 (Fig.A Mounting Dimension)



GKH167-187
安装结构尺寸

GKH167-187
Mounting Dimensional Description



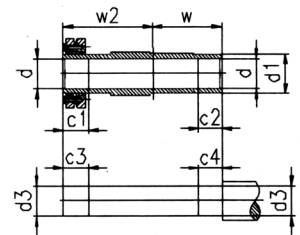
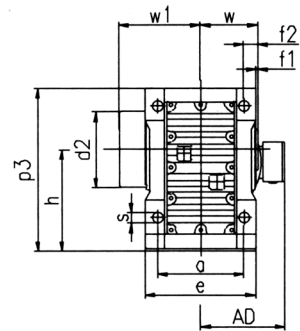
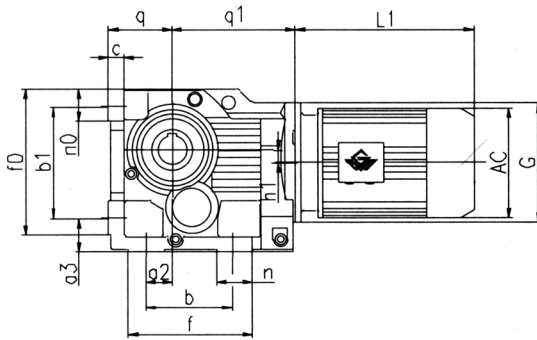
规格 Specification	a_1 a_2 a_3	p_3 q q_1	b_1 b_2 b_3	f_3 f_4 f_5	f_6 h_1 n	e_2 e_3 c	a f_2 f_1	h n_1 n_2	n_3 e e_1	c_1 c_2 c_3	c_4 w w_1	w_2 s d_2	d d_5 d_3	d_4 d_1 G	电机尺寸 Motor Size			
															AC	AD	L1	
GKH167	200	786	265	220	22	210	480	500 ₋₁	115	122	100	423	Φ135H7	Φ140h6	见附录 A-2 Please see appendix A-2			
	340	315 ₋₁	210	450	97	70	65	155	580	90	305	Φ33	Φ140H7	Φ190				
	70	522	115	250	50	50	9	385	104	130	442	Φ315	Φ135h6	Φ550				
GKH187	215	942	305	250	5	250	540	600 ₋₁	150	117	105	455	Φ155H7	Φ160h6	见附录 A-2 Please see appendix A-2			
	405	355 ₋₁	250	550	112	60	67	160	640	95	337	Φ39	Φ160H7	Φ200				
	95	582	135	305	50	50	10.5	460	110	130	474	Φ373	Φ155h6	Φ550				

注: 电机需方配或配特殊电机时需加联接法兰(见附录 D)

Note: When equipping the user's motor or the special one, the flange is required to be connected. (Please see appendix D)

GKHB47-107
安装结构尺寸

GKHB47-107
Mounting Dimensional Description



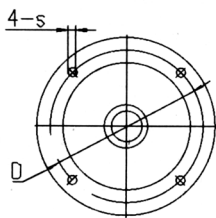
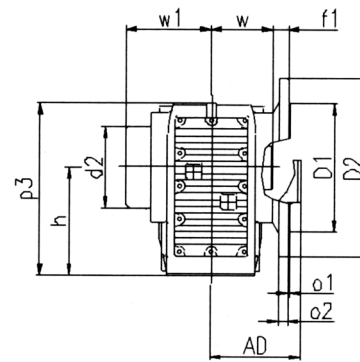
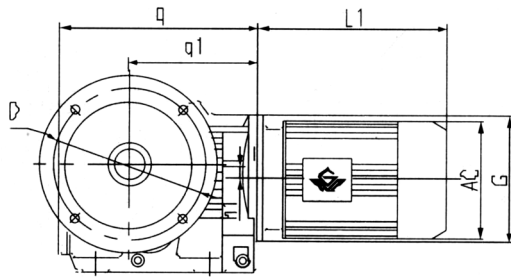
规格 Specification	q q ₁	s b	p ₃ a ₂	h n	a b ₁	e a ₃	f ₀ f ₁	w n ₀	d d ₃	c h ₁	d ₁ d ₂	f f ₂	c ₁ c ₂	c ₃ c ₄	w ₁ w ₂	G	电机尺寸 Motor Size			
																	AC	AD	L1	
GKHB47	71 ^{-0.5} 166	Φ 11 130	185 35	112 ^{-0.5} 32	120 130	145 37	170 3	75 37	Φ 35H7 Φ 35h6	18 7.2	Φ 50 Φ 83	162 15	32 20	37 25	110 102	Φ 160	见附录 A-2 Please see appendix A-2			
GKHB57	80 ^{-0.5} 173	Φ 13.5 130	217 30	132 ^{-0.5} 40	130 150	157 45	190 3	83 43	Φ 40H7 Φ 40h6	21 13.1	Φ 55 Φ 83	172 18	26 20	31 25	117 112	Φ 160				
GKHB67	90 ^{-0.5} 179	Φ 13.5 120	228 30	140 ^{-0.5} 45	140 160	170 45	203 3.5	90 43	Φ 40H7 Φ 40h6	24 20	Φ 55 Φ 93	170 20	38 20	43 25	126 118	Φ 160				
GKHB77	112 ^{-0.5} 202	Φ 17.5 150	288 40	180 ^{-0.5} 55	165 200	200 55	263 4	105 55	Φ 50H7 Φ 50h6	27 31.3	Φ 70 Φ 114	208 22.5	36 30	41 35	146 136	Φ 200				
GKHB87	132 ^{-0.5} 257	Φ 22 180	340 55	212 ^{-0.5} 75	180 233	230 70	305 4	120 67	Φ 65H7 Φ 65h6	32 25.9	Φ 85 Φ 159	260 30	41 40	46 45	170 161	Φ 250				
GKHB97	160 ^{-0.5} 277	Φ 26 240	417 75	265 ⁻¹ 60	240 295	290 75	372 4	150 82	Φ 75H7 Φ 75h6	36 32.3	Φ 95 Φ 174	294 30	55 50	60 55	206 195	Φ 300				
GKHB107	200 ^{-0.5} 341	Φ 33 280	503 95	315 ⁻¹ 100	270 360	340 95	448 2.5	175 98	Φ 95H7 Φ 95h6	40 52	Φ 118 Φ 200	380 40	65 60	75 70	245 230	Φ 350				

注:电机需方配或配特殊电机时需加联接法兰(见附录 D)

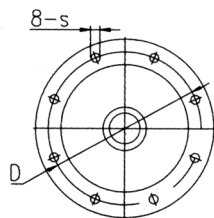
Note: When equipping the user's motor or the special one, the flange is required to connected.(Please see appendix D)

GKHF37-157
安装结构尺寸

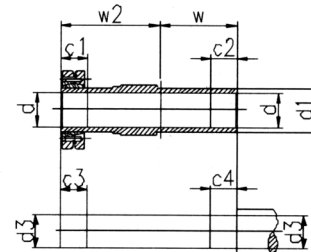
GKHF37-157
Mounting Dimensional Description



GKHF37-87



GKHF97-157



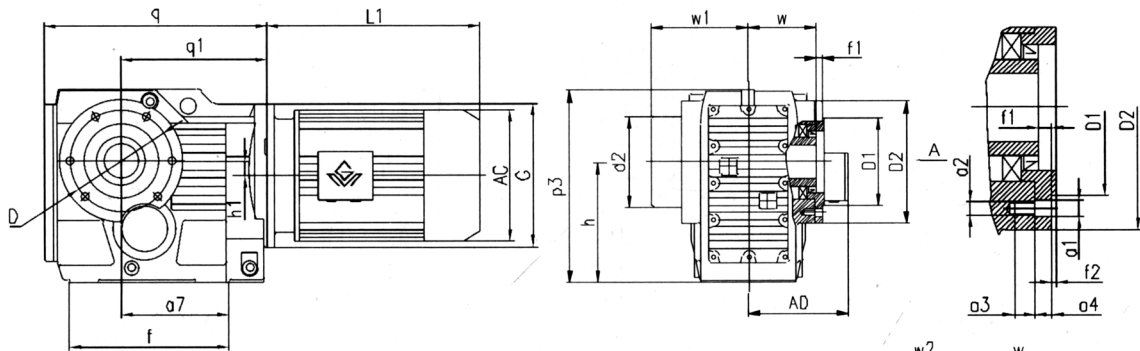
规格 Specification	q q ₁	h h ₁	o ₁ o ₂	s f ₁	w ₁ w	w ₂ c ₁	c ₂ c ₃	c ₄ D	D ₁ D ₂	d ₁ d ₃	d d ₂	p ₃ G	电机尺寸 Motor Size																			
													AC	AD	L1																	
GKHF37	210	100 ^{-0.5}	3.5	Φ9	95	86	20	25	Φ110j6	Φ45	Φ30H7	164	见附录 A-2 Please see appendix A-2																			
	139	8.5	10	24	60	31	36	Φ130	Φ160	Φ30h6	Φ75	Φ120																				
GKHF47	243	112 ^{-0.5}	3.5	Φ11	110	102	20	25	Φ130j6	Φ50	Φ35H7	185					见附录 A-2 Please see appendix A-2															
	166	7.2	10	25	75	32	37	Φ165	Φ200	Φ35h6	Φ83	Φ160																				
GKHF57	269	132 ^{-0.5}	4	Φ13.5	117	112	20	25	Φ180j6	Φ55	Φ40H7	215									见附录 A-2 Please see appendix A-2											
	173	13.1	15	23.5	83	26	31	Φ215	Φ250	Φ40h6	Φ83	Φ160																				
GKHF67	274	140 ^{-0.5}	4	Φ13.5	126	118	20	25	Φ180j6	Φ55	Φ40H7	226													见附录 A-2 Please see appendix A-2							
	179	20	15	23	90	38	43	Φ215	Φ250	Φ40h6	Φ93	Φ160																				
GKHF77	312	180 ^{-0.5}	4	Φ13.5	146	136	30	35	Φ230j6	Φ70	Φ50H7	286																	见附录 A-2 Please see appendix A-2			
	202	31.3	16	37	105	36	41	Φ265	Φ300	Φ50h6	Φ114	Φ200																				
GKHF87	390	212 ^{-0.5}	5	Φ17.5	170	161	40	45	Φ250h6	Φ85	Φ65H7	338	见附录 A-2 Please see appendix A-2																			
	257	25.9	18	30	120	41	46	Φ300	Φ350	Φ65h6	Φ159	Φ250																				
GKHF97	435	265 ⁻¹	5	Φ17.5	206	195	50	55	Φ350h6	Φ95	Φ75H7	414					见附录 A-2 Please see appendix A-2															
	277	32.3	22	41.5	150	55	60	Φ400	Φ450	Φ75h6	Φ174	Φ300																				
GKHF107	537	315 ⁻¹	5	Φ17.5	245	230	60	70	Φ350h6	Φ118	Φ95H7	500									见附录 A-2 Please see appendix A-2											
	341	52	22	41	175	65	75	Φ400	Φ450	Φ95h6	Φ200	Φ350																				
GKHF127	615	375 ⁻¹	5	Φ17.5	296	280	70	80	Φ450h6	Φ135	Φ105H7	592													见附录 A-2 Please see appendix A-2							
	390	53	25	51	205	85	95	Φ500	Φ550	Φ105h6	Φ233	Φ450																				
GKHF157	706	450 ⁻¹	6	Φ22	370	330	80	90	Φ550h6	Φ155	Φ125H7	705																	见附录 A-2 Please see appendix A-2			
	426	71.7	28	60	250	90	100	Φ600	Φ660	Φ125h6	Φ315	Φ550																				

注:电机需方配或配特殊电机时需加联接法兰(见附录 D)

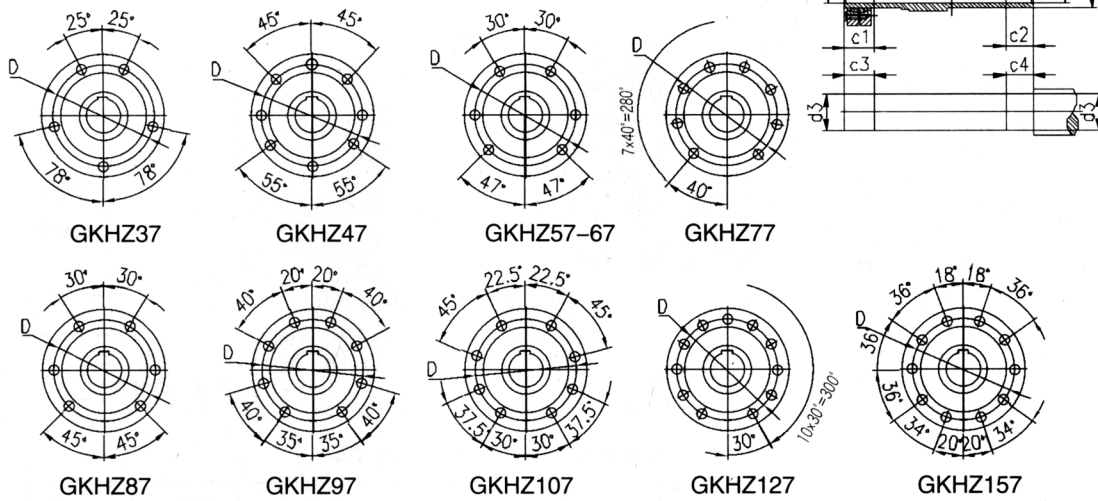
Note: When equipping the user's motor or the special one, the flange is required to connected.(Please see appendix D)

GKHZ37-157
安装结构尺寸

GKHZ37-157
Mounting Dimensional Description



A向法兰安装结构尺寸 (Fig.A Mounting Dimension)



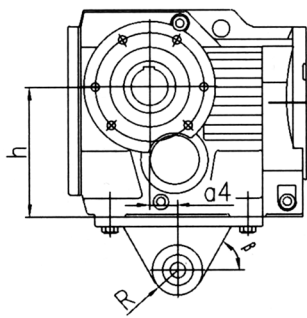
规格 Specification	q q ₁	D ₁ D ₂	h h ₁	p ₃ a ₇	f f ₁	w w ₁	G w ₂	d ₂ d ₁	d d ₃	c ₁ c ₂	c ₃ c ₄	a ₃ a ₄	f ₂ a ₂	a ₁ D	电机尺寸 Motor Size			
															AC	AD	L1	
GKHZ37	210 139	Φ80j6 Φ110	100 ^{-0.5} 8.5	164 97	147 9	60 95	Φ120 86	Φ75 Φ45	Φ30H7 Φ30h6	31 20	36 25	12 11.5	3 M8	Φ9 Φ94	见附录 A-2 Please see appendix A-2			
GKHZ47	243 166	Φ80j6 Φ120	112 ^{-0.5} 7.2	185 115	170 8	75 110	Φ160 102	Φ83 Φ50	Φ35H7 Φ35h6	32 20	37 25	12 11	3 M8	Φ9 Φ102				
GKHZ57	269 173	Φ105j6 Φ155	132 ^{-0.5} 13.1	215 120	182 9	83 117	Φ160 112	Φ83 Φ55	Φ40H7 Φ40h6	26 20	31 25	20 12	3.5 M12	Φ13.5 Φ125				
GKHZ67	274 179	Φ105j6 Φ155	140 ^{-0.5} 20	226 125	182 8.5	90 126	Φ160 118	Φ93 Φ55	Φ40H7 Φ40h6	38 20	43 25	20 12	3.5 M12	Φ13.5 Φ125				
GKHZ77	312 202	Φ125j6 Φ170	180 ^{-0.5} 31.3	286 139	204 10	105 146	Φ200 136	Φ114 Φ70	Φ50H7 Φ50h6	36 30	41 35	20 14	3.5 M12	Φ13.5 Φ142				
GKHZ87	390 257	Φ155j6 Φ215	212 ^{-0.5} 25.9	338 190	280 11	120 170	Φ250 161	Φ159 Φ85	Φ65H7 Φ65h6	41 40	46 45	26 15	4 M16	Φ17.5 Φ178				
GKHZ97	435 277	Φ180j6 Φ260	265 ⁻¹ 32.3	414 190	298 14	150 206	Φ300 195	Φ174 Φ95	Φ75H7 Φ75h6	55 50	60 55	26 18	4 M16	Φ17.5 Φ220				
GKHZ107	537 341	Φ210j6 Φ304	315 ⁻¹ 52	500 230	370 8	175 245	Φ350 230	Φ200 Φ118	Φ95H7 Φ95h6	65 60	75 70	30 22	4 M20	Φ22 Φ260				
GKHZ127	615 390	Φ250h6 Φ350	375 ⁻¹ 53	592 288	440 0	205 296	Φ450 280	Φ233 Φ135	Φ105H7 Φ105h6	85 70	95 80	28 30	5 M20	Φ22 Φ300				
GKHZ157	706 426	Φ290h6 Φ400	450 ⁻¹ 71.7	705 298	480 14	250 370	Φ550 330	Φ315 Φ155	Φ125H7 Φ125h6	90 80	100 90	36 28	5 M24	Φ26 Φ340				

注:电机需方配或配特殊电机时需加联接法兰(见附录 D)

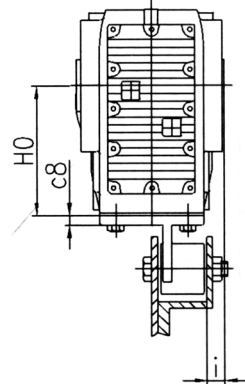
Note: When equipping the user's motor or the special one, the flange is required to connected.(Please see appendix D)

GKAT37-157
安装结构尺寸

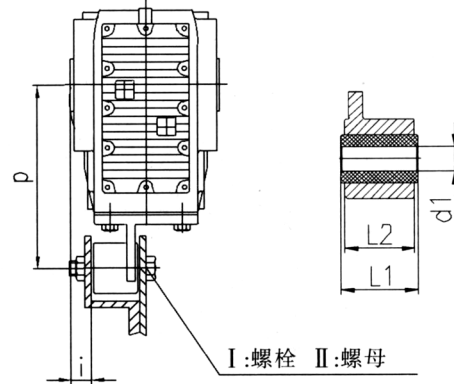
GKAT37-157
Mounting Dimensional Description



GKAT37-107

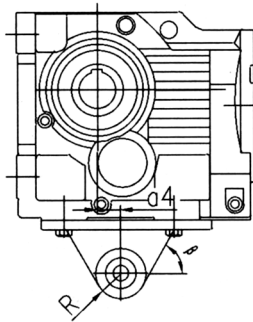


C面安装

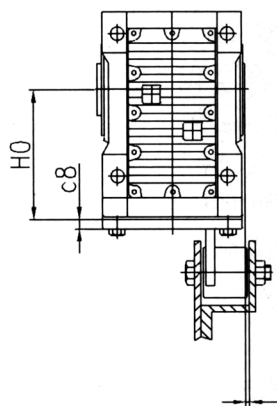


D面安装

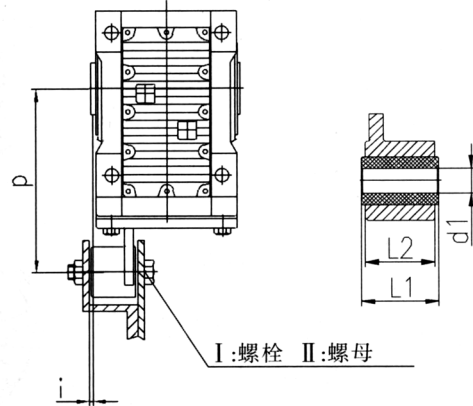
I:螺栓 II:螺母



GKAT127-157



C面安装



D面安装

I:螺栓 II:螺母

机型号 Type Size	a_4	β	C_8	i	P	R	H_0	d_1	$L_{1-0.3}$	L_2
GKAT37	23.5	60°	10	20	140 ^{+0.2} _{-0.7}	22.5	100 _{-0.5}	10.4 ^{+0.1} _{-0.1}	36	31
GKAT47	30	55°	12	20	160 ^{+0.2} _{-0.7}	22.5	112 _{-0.5}	10.4 ^{+0.1} _{-0.1}	36	31
GKAT57	40	55°	13	18	192 ^{+0.2} _{-0.7}	29	132 _{-0.5}	16.4 ^{+0.08} _{-0.08}	60	54
GKAT67	45	55°	13	25	200 ^{+0.2} _{-0.7}	29	140 _{-0.5}	16.4 ^{+0.08} _{-0.08}	60	54
GKAT77	52.5	60°	14	25	250 ^{+0.2} _{-0.7}	29	180 _{-0.5}	16.4 ^{+0.08} _{-0.08}	60	54
GKAT87	60	60°	16	30	300 ^{+0.2} _{-0.7}	41	212 _{-0.5}	25 ^{+0.08} _{-0.08}	80	72
GKAT97	70	50°	17	40	350 ^{+0.2} _{-1.2}	41	265 ₋₁	25 ^{+0.08} _{-0.08}	100	92
GKAT107	74	55°	20	45	450 ^{+0.5} _{-1.5}	41	315 ₋₁	25 ^{+0.08} _{-0.08}	100	92
GKAT127	60	65°	45	7	550 ^{+0.5} _{-1.5}	70	375 ₋₁	40 ^{+0.08} _{-0.08}	126	110
GKAT157	50	65°	45	2	700 ^{+0.5} _{-1.5}	70	450 ₋₁	40 ^{+0.08} _{-0.08}	126	110

其它尺寸请按照 GKA 型。

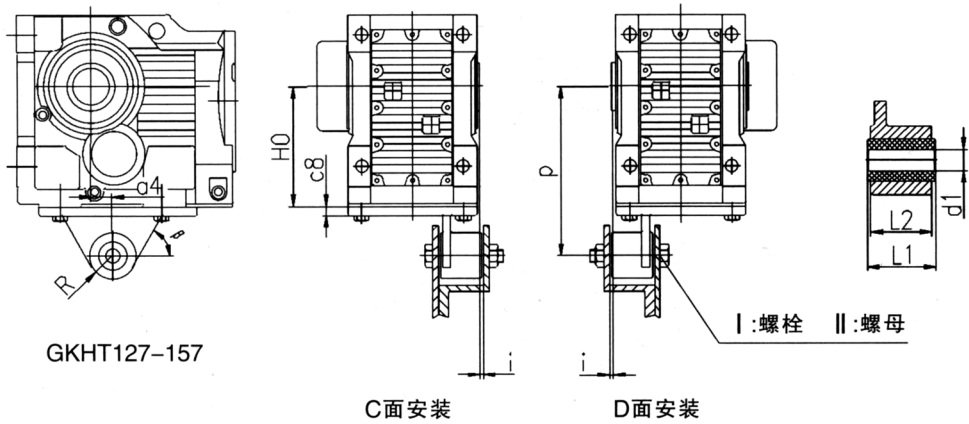
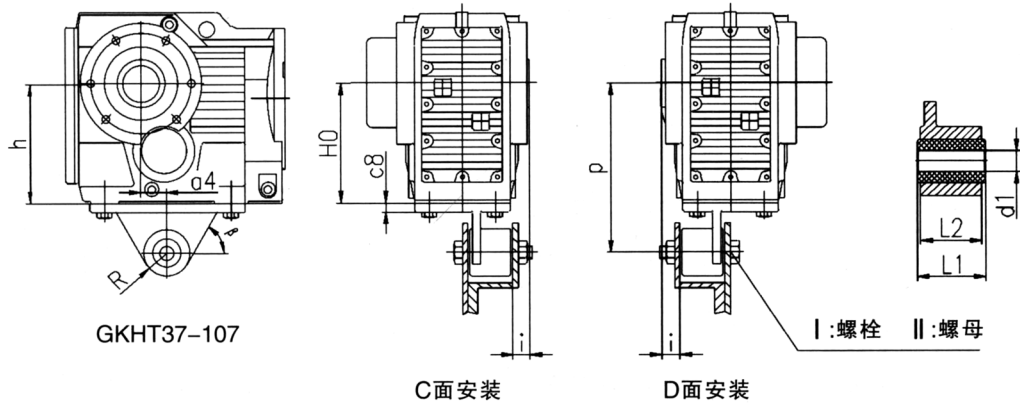
注:I:螺栓 II:螺母用户自配。

For other dimensions, see the type GKA.

Note: bolts I and nuts II are prepared by customers.

GKHT37-157
安装结构尺寸

GKHT37-157
Mounting Dimensional Description



机型号 Type Size	a ₄	β	C ₈	i	P	R	H ₀	d ₁	L _{1-0.3}	L ₂
GKHT37	23.5	60°	10	20	140 ^{+0.2} _{-0.7}	22.5	100 _{-0.5}	10.4 ^{+0.1} _{-0.1}	36	31
GKHT47	30	55°	12	20	160 ^{+0.2} _{-0.7}	22.5	112 _{-0.5}	10.4 ^{+0.1} _{-0.1}	36	31
GKHT57	40	55°	13	18	192 ^{+0.2} _{-0.7}	29	132 _{-0.5}	16.4 ^{+0.08} _{-0.08}	60	54
GKHT67	45	55°	13	25	200 ^{+0.2} _{-0.7}	29	140 _{-0.5}	16.4 ^{+0.08} _{-0.08}	60	54
GKHT77	52.5	60°	14	25	250 ^{+0.2} _{-0.7}	29	180 _{-0.5}	16.4 ^{+0.08} _{-0.08}	60	54
GKHT87	60	60°	16	30	300 ^{+0.2} _{-0.7}	41	212 _{-0.5}	25 ^{+0.08} _{-0.08}	80	72
GKHT97	70	50°	17	40	350 ^{+0.2} _{-1.2}	41	265 ₋₁	25 ^{+0.08} _{-0.08}	100	92
GKHT107	74	55°	20	45	450 ^{+0.5} _{-1.5}	41	315 ₋₁	25 ^{+0.08} _{-0.08}	100	92
GKHT127	60	65°	45	7	550 ^{+0.5} _{-1.5}	70	375 ₋₁	40 ^{+0.08} _{-0.08}	126	110
GKHT157	50	65°	45	2	700 ^{+0.5} _{-1.5}	70	450 ₋₁	40 ^{+0.08} _{-0.08}	126	110

其它尺寸请按照 GKH 型。

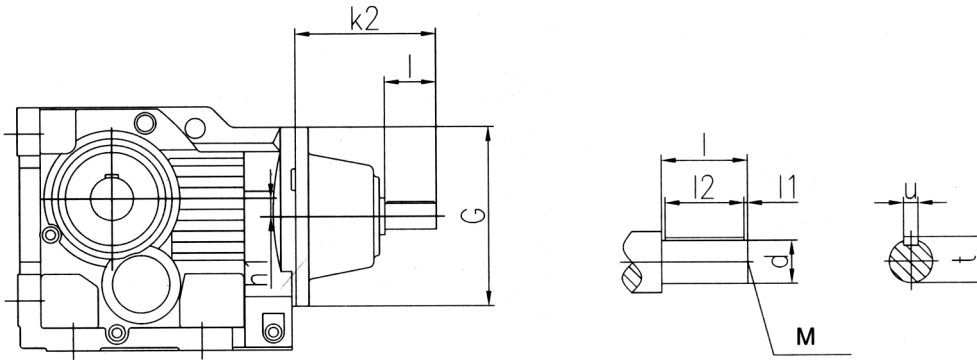
注:I:螺栓 II:螺母用户自配。

For other dimensions, see the type GKH.

Note: bolts I and nuts II are prepared by customers.

GK..SZ37-187AD1-8
安装结构尺寸

GK..SZ37-187AD1-8
Mounting Dimensional Description



GK..SZ37-187AD1-8 安装结构尺寸 (GK..SZ37-187AD1-8 Mounting Dimensional Description)

机型号 Type Size		d	G	k ₂	l	M	l ₁	l ₂	t	u	h ₁
GK..SZ37	AD1	16k6	Φ 120	115	40	M5	4	32	18	5	8.5
	AD2	19k6	Φ 120	115	40	M6	4	32	21.5	6	8.5
GK..SZ47	AD2	19k6	Φ 160	120	40	M6	4	32	21.5	6	7.2
	AD3	24k6	Φ 160	130	50	M8	5	40	27	8	7.2
GK..SZ57/67	AD2	19k6	Φ 160	120	40	M6	4	32	21.5	6	13.1/20
	AD3	24k6	Φ 160	130	50	M8	5	40	27	8	13.1/20
GK..SZ77	AD2	19k6	Φ 200	130	40	M6	4	32	21.5	6	31.3
	AD3	24k6	Φ 200	140	50	M8	5	40	27	8	31.3
	AD4	38k6	Φ 200	140	50	M12	5	40	41	10	31.3
GK..SZ87	AD2	19k6	Φ 250	160	40	M6	4	32	21.5	6	25.9
	AD3	28k6	Φ 250	180	60	M10	5	50	31	8	25.9
	AD4	38k6	Φ 250	200	80	M12	5	70	41	10	25.9
	AD5	42k6	Φ 250	200	80	M16	5	70	45	12	25.9
GK..SZ97	AD3	28k6	Φ 300	200	60	M10	5	50	31	8	32.3
	AD4	38k6	Φ 300	220	80	M12	5	70	41	10	32.3
	AD5	42k6	Φ 300	220	80	M16	5	70	45	12	32.3
	AD6	48k6	Φ 300	220	80	M16	5	70	51.5	14	32.3
GK..SZ107	AD3	28k6	Φ 350	220	60	M10	5	50	31	8	52
	AD4	38k6	Φ 350	240	80	M12	5	70	41	10	52
	AD5	42k6	Φ 350	270	110	M16	10	90	45	12	52
	AD6	48k6	Φ 350	270	110	M16	10	90	51.5	14	52
GK..SZ127	AD4	38k6	Φ 450	267	80	M12	5	70	41	10	53
	AD5	42k6	Φ 450	297	110	M16	10	90	45	12	53
	AD6	48k6	Φ 450	297	110	M16	10	90	51.5	14	53
	AD7	55m6	Φ 450	297	110	M20	10	90	59	16	53
	AD8	70m6	Φ 450	297	110	M20	10	90	74.5	20	53
GK..SZ157/167/187	AD5	42k6	Φ 550	344	110	M16	10	90	45	12	71.7/97/112
	AD6	48k6	Φ 550	344	110	M16	10	90	51.5	14	71.7/97/112
	AD7	55m6	Φ 550	344	110	M20	10	90	59	16	71.7/97/112
	AD8	70m6	Φ 550	374	140	M20	15	110	74.5	20	71.7/97/112

其它尺寸请参照 GK 型。

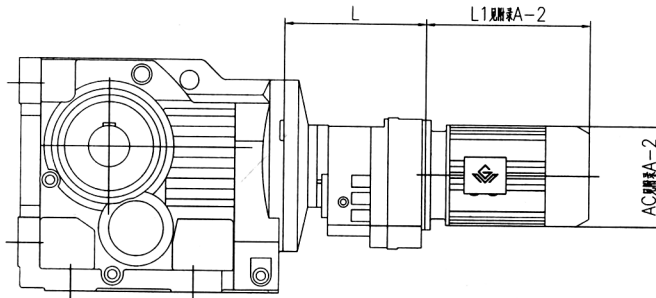
注:GKF/GKA/GKAB/GKAF/GKAZ/GKH/GKHF/GKHZ 也均可采用双轴型, 并分别记为 GKFSZ..AD..、GKASZ..AD..、GKABSZ..AD..、GKAFSZ..AD..、GKAZSZ..AD..、GKHSZ..AD..、GKHFSZ..AD..和 GKHZSZ..AD..。

For other dimensions, see the type GK.

Note: double shafts type is also available for type GKF/GKA/GKAB/GKAF/GKAZ/GKH/GKHF/GKHZ, and these double shafts types are respectively named type GKHFSZ..AD..、GKASZ..AD..、GKABSZ..AD..、GKAFSZ..AD..、GKAZ..AD..、GKHSZ..AD..、GKHFSZ..AD...and GKHZSZ..AD...

GK..R..
安装结构尺寸

GK..R..
Mounting Dimensional Description



机型号 Type Size	电机机座号 Motor frame size	L
GK..37R17	63	131
	71	
	80	
GK..47R37 GK..67R37	63	157
	71	
	80	
GK..57R37	63	157
	71	
	80	
GK..77R37	63	157
	71	
	80	
	90	
GK..87R57	63	187
	71	
	80	
	90	
GK..97R57	63	187
	71	
	80	
	90	
	100	
GK..107R77	63	220
	71	
	80	
	90	
	100	
	112	
	132	
160		

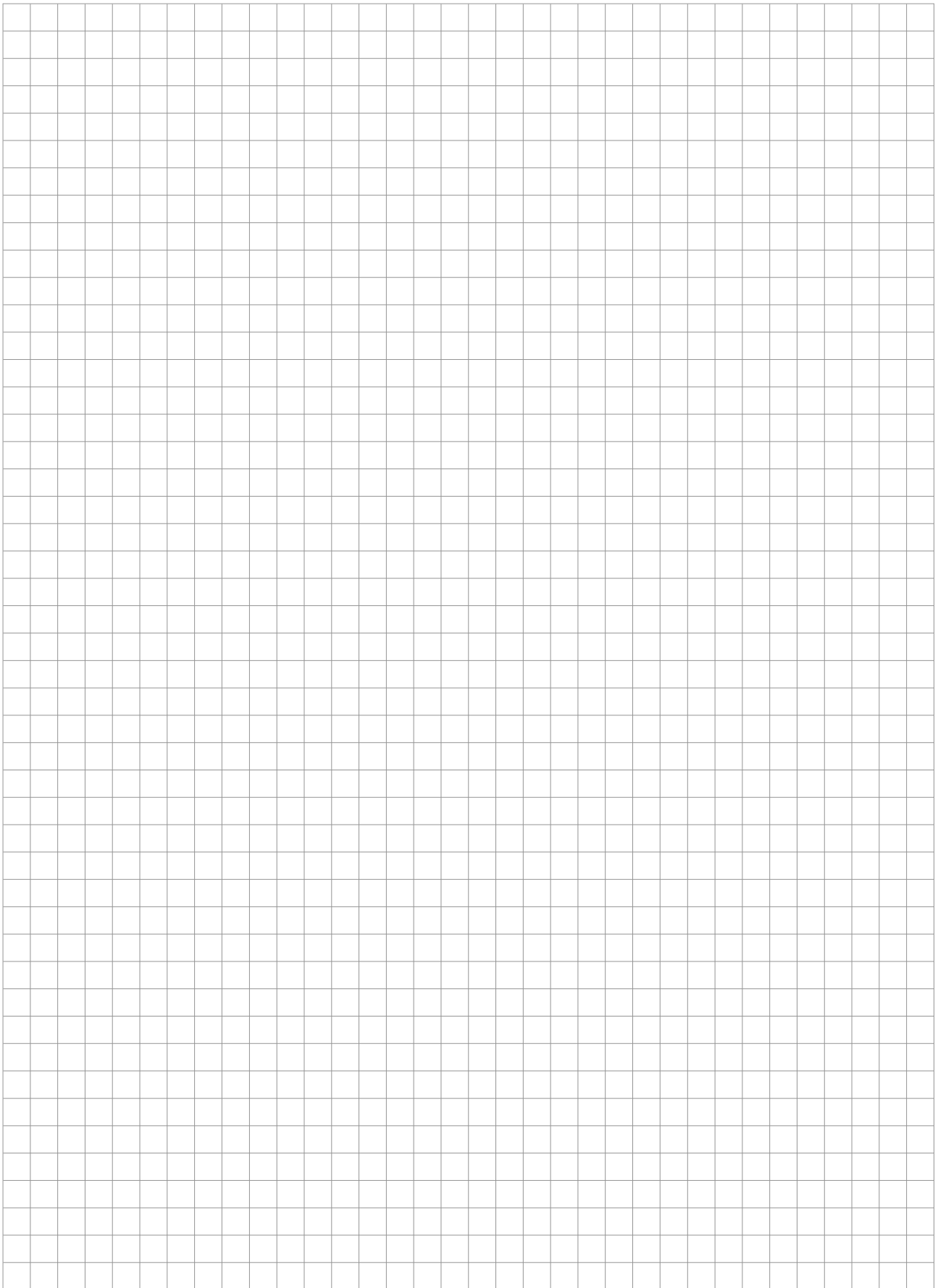
机型号 Type Size	电机机座号 Motor frame size	L
GK..127R77	63	220
	71	
	80	
	90	
	100	
	112	
GK..127R87	132	272
	160	
	180	
	90	
	100	
GK..157R97 GK..167R97 GK..187R97	112	320
	132	
	160	
	180	
	200	
	100	
GK..157R107 GK..167R107 GK..187R107	112	355
	132	
	160	
	180	
	200	
225		

注:GKA/GKAF/GKF/GKAZ/GKH/GKHF/GKHZ 均可采用串联组合机型

Note: Combined type is also available for type GKA/GKAF/GKAZ/GKH/GKHF/GKHZ.

注:电机需方配或配特殊电机时需加联接法兰(见附录 D)

Note: When equipping the user's motor or the special one, the flange is required to connected.(Please see appendix D)





GM — GF

GF Series Parallel-Shaft Helical Geared Motors

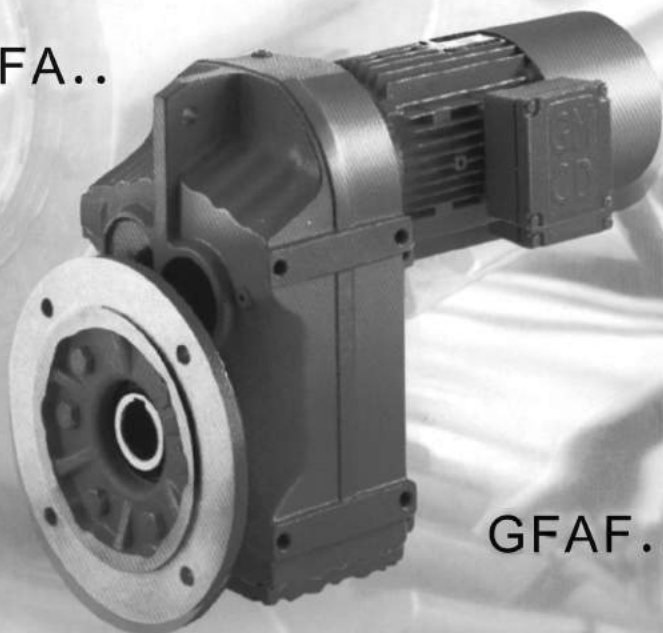
GF
系列
平行轴
— 斜齿
轮减
速电
机



GF...



GFA..



GFAF..

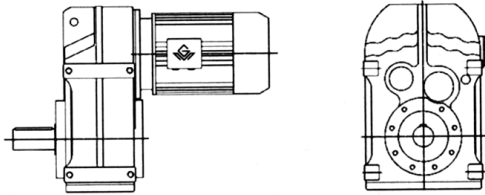
结构型式说明 Dimensional Description

GF 系列各轴之间的几何位置都互为平行关系,因而亦称为平行轴系列。由两级或三级斜齿轮构成。

Shafts of GF series geared motors are all parallel to each other. Units of GF series all consist of two or three stages helical gears.

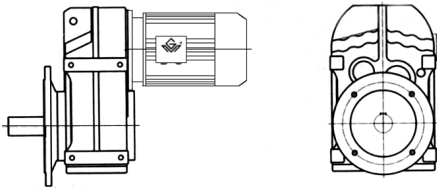
1、GF 型: 底脚安装,输出轴为实心轴。

Type GF: Foot mounted. Solid output shaft.



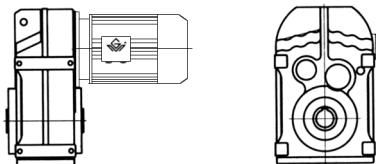
2、GFF 型: B5 法兰安装,输出轴为实心轴。

Type GFF: B5 flange mounted. Solid output shaft.



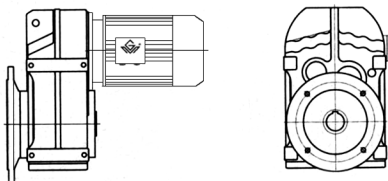
3、GFA 型: 轴装式,输出轴为空心轴。

Type GFA: Shaft mounted. Hollow output shaft.



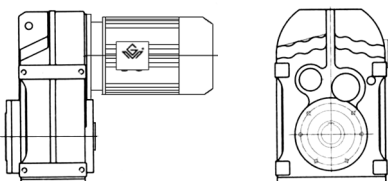
4、GFAF 型: B5 法兰安装,输出轴为空心轴。

Type GFAF: B5 flange mounted. Hollow output shaft.



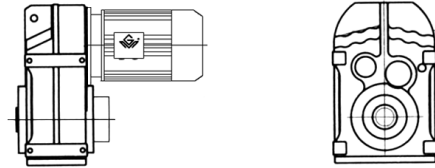
5、GFAZ 型: B14 法兰空心轴安装。

Type GFAZ: B14 flange mounted version with hollow shaft



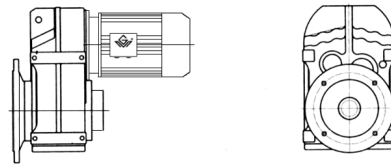
6、GFH 型: 空心轴锁紧盘安装。

Type GFH: Hollow shaft and shrink disk mounted.



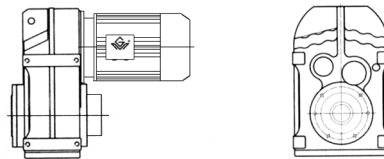
7、GFHF 型: B5 法兰空心轴锁紧盘安装。

Type GFHF: B5 flange mounted version with hollow shaft and shrink disk



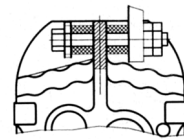
8、GFHZ 型: B14 法兰空心轴锁紧盘安装。

Type GFHZ: B14 flange mounted version with hollow shaft and shrink disk.



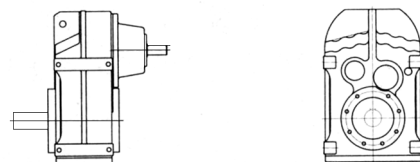
9、GFAT/GFHT 型: 即在 GFA/GFH 型上增加防转臂等附件后的派生型。

Type GFAT/GFHT: As altered type from type GFA/GFH, this type is added torque arm and other accessories.



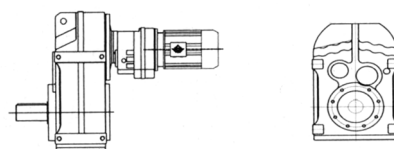
10、GF..SZ..AD..型: 输入轴型。

Type GF..SZ..AD..: Input shaft types.

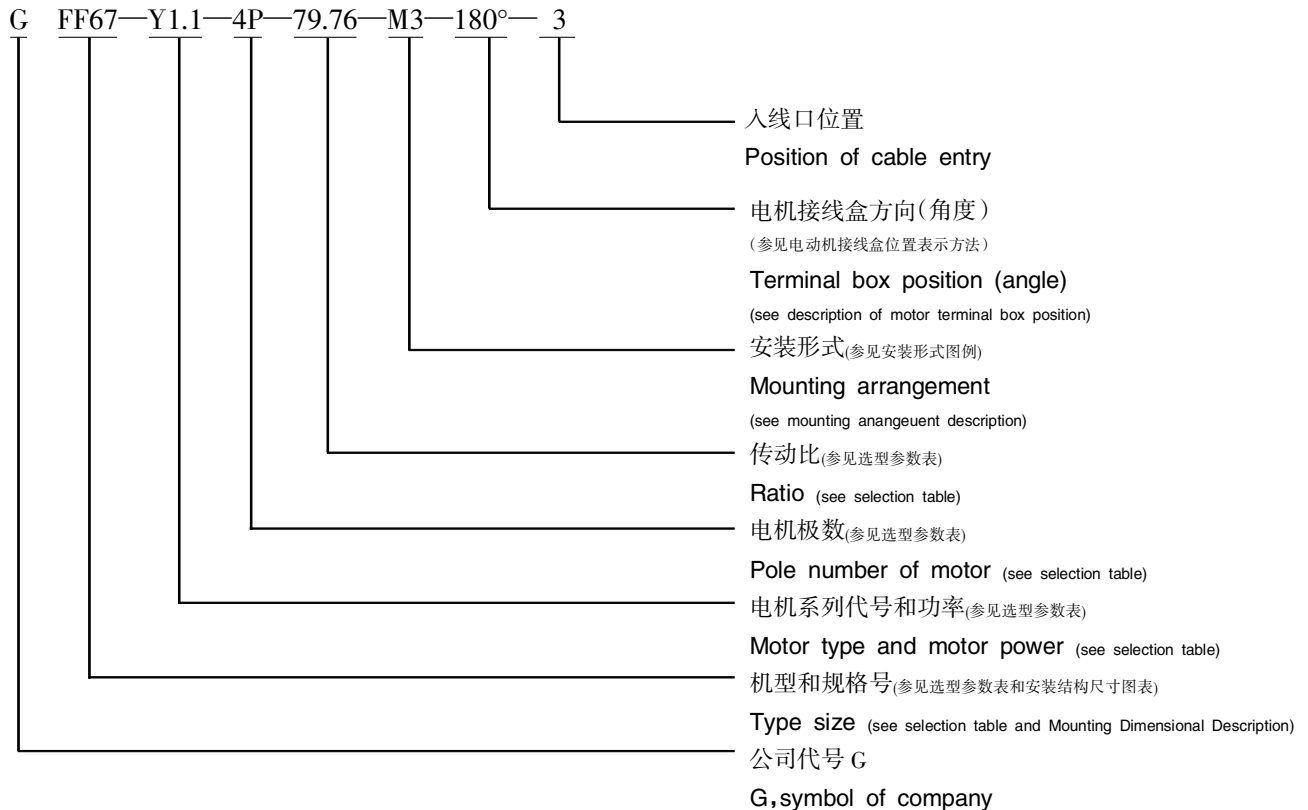


11、GF...R 型: GF 系列和 GR 系列的组合。

Type GF...R: Combined types of type GF and type GR.



GF 系列机型号表示方法 Type Expression of GF Series



注:1、需带联接法兰时请注明。

2、输入轴型没有电动机各项内容。

3、不注明接线盒方向时,则默认为安装形式中的 0 度位置。不注明入线口位置时,则默认为 X 位置。

4、对输出轴旋转方向和输入轴旋转方向有特别要求的用户,请与技术部联系,并在订货时用简图或文字说明。

Note: 1、Please make a note, if it needs connecting flange.

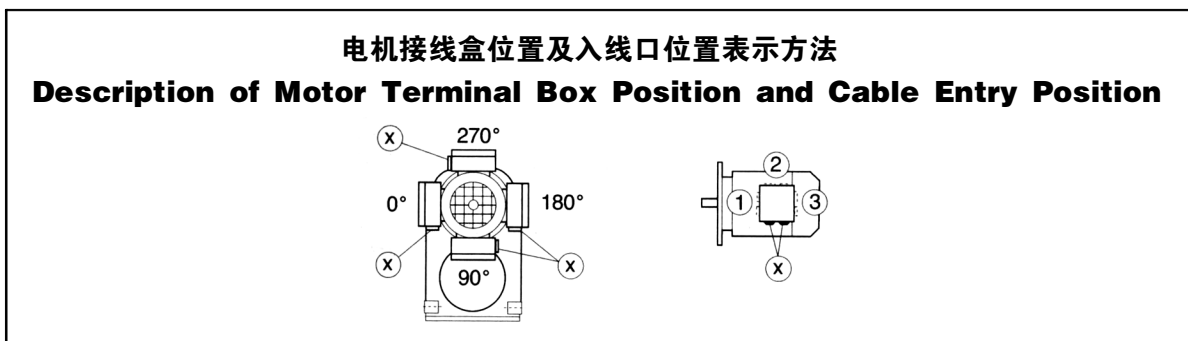
2、Contents of motors for input shaft types are not listed.

3、Degree=0°, if terminal box position is not mentioned. It is X, if cable entry position is not mentioned.

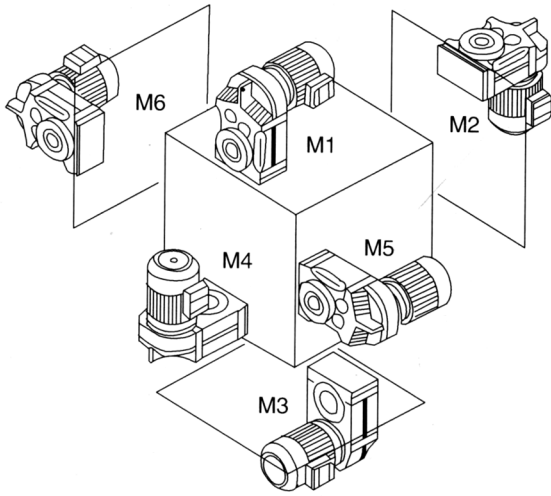
4、If specific rotation directions of output shaft or/and input shaft are specially requested, please contact our technology department, and make detailed description while placing order.

电机接线盒位置及入线口位置表示方法

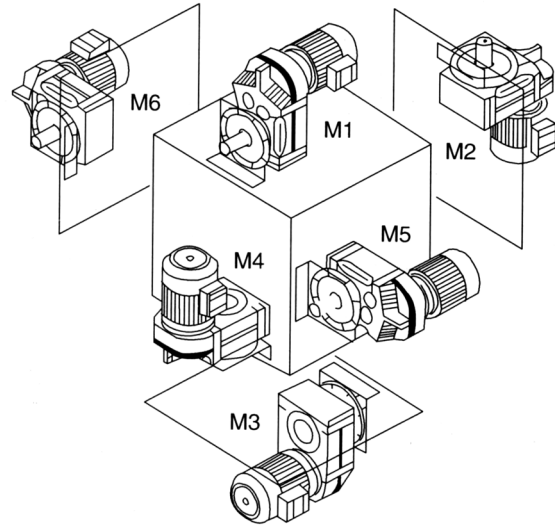
Description of Motor Terminal Box Position and Cable Entry Position



安装形式图例



Mounting Arrangements Description



各种安装形式定义为:

- M1—电机水平放置;减速机底部朝下。
- M2—电机居下。
- M3—电机水平放置;减速机底部朝上。
- M4—电机居上。
- M5—电机水平放置;当减速机在 M1 安装位置时,从电机方向看,减速机的左面旋转到下方位置。
- M6—电机水平放置;当减速机在 M1 安装位置时,从电机方向看,减速机的左面旋转到上方位置。

Different kinds of mounting arrangements are defined as following:

- M1—horizontally mounted motor, unit base is at bottom.
- M2—motor is vertically mounted downwards.
- M3—horizontally mounted motor, unit base is on top.
- M4—motor is vertically mounted upwards.
- M5—horizontally mounted motor, if placed on M1 position, left side of unit turns to bottom (view point: towards from motor side).
- M6—horizontally mounted motor, if placed on M1 position, left side of unit turns to top (view point: towards from motor side).

减速机重量 (Gear unit weight)

规格 Size	GF37	GF47	GF57	GF67	GF77	GF87	GF97	GF107	GF127	GF157
重量(kg) Weight	15	20	31	35	67	117	195	305	720	950

注:重量为平均值,不包括电机,仅供参考。

(Note: The weights mean values without the motor, only for reference.)

选型表注释 Description of selection table

恒功率 Constant power

n_a [r/min]	M_a [Nm]	i	F_{ra} [kN]	f_B	机型号 Type size	极数 Pole
↓ 输出转速 Output speed	↓ 输出转矩 Output torque	↓ 减速机速比 Gear unit ratio	↓ 许用径向载荷 Permissible radial load	↓ 使用系数 Service factor		

恒转矩 Constant torque

M_{max} [Nm]	n_a [r/min]	i	F_{ra} [kN]	机型号 Type size	P [kW]/4P
↓ 最大输出转矩 Max. output torque	↓ 输出转速 Output speed	↓ 减速机速比 Gear unit ratio	↓ 许用径向载荷 Permissible radial load		↓ 电机功率 Motor power

选型参数表
(恒功率)

Selection Table
(Constant Power)

n_a [r/min]	M_a [Nm]	i	F_{ra} [kN]	f_B	机型号 Type size	极数 Pole	n_a [r/min]	M_a [Nm]	i	F_{ra} [kN]	f_B	机型号 Type size	极数 Pole																																																																																																																																																																																																																																																																																																																																																																																																																																																																																																																																																																																			
0.25kW							0.25kW																																																																																																																																																																																																																																																																																																																																																																																																																																																																																																																																																																																									
5.3	403	249	5.7	1.00	GFA47R17	4P	28	80	47.02	5.1	2.30	GFA37 GFAF37 GF37 GFF37	4P																																																																																																																																																																																																																																																																																																																																																																																																																																																																																																																																																																																			
6.1	353	218	6.3	1.15	GFAF47R17		6.9	313	193	6.7	1.30			GF47R17	7.6	284	175	6.9	1.45	GFF47R17	5.3	410	253	5.6	1.00	GFA47R17	4P	42	54	31.69	5.2	3.40	GFA37 GFAF37 GF37 GFF37	4P	6.1	352	217	6.2	1.20	GFAF47R17	7.0	308	190	6.6	1.35	GF47R17	7.5	288	178	6.8	1.45	GFF47R17	8.9	241	149	7.1	1.70	GFF47R17	4P	56	40	23.63	4.9	4.60	GFA37 GFAF37 GF37 GFF37	4P	10	212	131	7.3	1.95	GFA37R17	9.2	235	145	3.5	0.85	GFAF37R17	10	209	129	3.9	1.00	GF37R17	11	191	118	4.2	1.10	GFA37R17	6P	93	24	14.33	4.2	7.60	GFA37 GFAF37 GF37 GFF37	4P	14	159	98	4.5	1.30	GFA37R17	15	141	87	4.7	1.45	GFA77	3.0	752	281.71	18	1.95	GFAF77	3.2	702	262.93	18	2.10	GF77	6P	179	13	7.44	3.4	11	GFA37 GFAF37 GF37 GFF37	4P	3.8	602	225.79	19	2.50	GFF77	4.3	529	198.31	19	2.80	GFA67	4.5	503	188.40	19	2.90	GFAF67	3.7	611	228.99	11	1.30	GF67	6P	197	11	6.74	3.3	11	GFA37 GFAF37 GF37 GFF37	4P	4.4	521	195.39	12	1.55	GFF67	5.0	456	170.85	12	1.75	GFA67	5.2	433	162.31	12	1.85	GFAF67	6.0	380	142.40	12	2.10	GFF67	4P	220	10	6.05	3.2	12	GFA127R77 GFAF127R77 GF127R77 GFF127R77	4P	5.8	391	228.99	12	1.95	GFA67	6.8	333	195.39	12	2.30	GFAF67	7.8	291	170.85	12	2.60	GF67	8.2	277	162.31	12	2.80	GFF67	6P	255	9	5.21	3.1	13	GFA107R77 GFAF107R77 GF107R77 GFF107R77	4P	9.3	243	142.40	12	3.10	GFA57	4.3	533	199.70	9.1	1.10	GFAF57	4.6	490	183.60	9.4	1.20	GF57	5.4	419	157.09	10	1.40	GFF57	6P	271	8	4.90	3.0	13	GFA97R57 GFAF97R57 GF97R57 GFF97R57	4P	6.2	363	136.16	10	1.60	GFA57	6.7	340	127.27	10	1.75	GFAF57	7.7	294	110.01	11	2.00	GF57	6.7	341	199.70	10	1.65	GFF57	4P	315	7	4.22	2.9	14	GFA87R57 GFAF87R57 GF87R57 GFF87R57	4P	7.2	313	183.60	10	1.80	GFA57	8.5	268	157.09	11	2.10	GFAF57	9.8	232	136.16	11	2.40	GF57	10	217	127.27	11	2.60	GFF57	6P	0.20	16237	6772	81	0.80	GFA127R77 GFAF127R77 GF127R77 GFF127R77	4P	12	188	110.01	11	3.00	GFA47	5.7	400	150.06	5.5	1.00	GFAF47	6.5	347	130.07	6.2	1.15	GF47	7.0	324	121.57	6.4	1.20	GFF47	4P	0.22	14283	5957	84	0.85	GFA107R77 GFAF107R77 GF107R77 GFF107R77	4P	8.1	280	105.09	6.8	1.40	GFA47	7.0	325	190.76	6.2	1.15	GFA47	7.6	299	175.38	6.5	1.25	GFAF47	8.9	256	150.06	6.9	1.45	GF47	6P	0.26	12427	5183	86	1.00	GFA97R57 GFAF97R57 GF97R57 GFF97R57	4P	10.2	222	130.07	7.2	1.65	GFF47	10.9	207	121.57	7.3	1.80	GFA47	12.7	179	105.09	7.4	2.10	GFAF47	14.9	152	89.29	7.6	2.40	GF47	4P	0.29	10931	4559	86	1.15	GFA87R57 GFAF87R57 GF87R57 GFF87R57	4P	10	219	128.51	3.5	0.85	GFF47	11	201	117.88	3.8	0.90	GFA77R37	13	171	100.36	4.3	1.10	GFAF77R37	15	148	86.53	4.6	1.25	GF77R37	6P	0.34	9294	3876	86	1.35	GFA77R37 GFAF77R37 GF77R37 GFF77R37	4P	16	138	80.65	4.7	1.35	GF77R37	19	120	70.50	4.8	1.55	GFF77R37	20	113	66.09	4.9	1.65	GFA37	23	99	58.32	4.9	1.85	GFAF37	4P	0.39	8176	3410	86	1.55	GFA37 GFAF37 GF37 GFF37	4P	24	93	54.54	5.0	2.00	GF37	26	88	51.70	5.0	2.10	GFF37																																																																																		
6.9	313	193	6.7	1.30	GF47R17		7.6	284	175	6.9	1.45			GFF47R17	5.3	410	253	5.6	1.00	GFA47R17	4P	42	54	31.69	5.2	3.40		GFA37 GFAF37 GF37 GFF37	4P	6.1	352	217			6.2	1.20	GFAF47R17	7.0	308	190	6.6	1.35	GF47R17	7.5	288	178	6.8	1.45	GFF47R17	8.9	241	149	7.1	1.70	GFF47R17	4P	56	40		23.63	4.9	4.60	GFA37 GFAF37 GF37 GFF37	4P			10	212	131	7.3	1.95	GFA37R17	9.2	235	145	3.5	0.85	GFAF37R17	10	209	129	3.9	1.00	GF37R17	11	191	118	4.2	1.10	GFA37R17		6P	93	24	14.33	4.2			7.60	GFA37 GFAF37 GF37 GFF37	4P	14	159	98	4.5	1.30	GFA37R17	15	141	87	4.7	1.45	GFA77	3.0	752	281.71	18	1.95	GFAF77	3.2	702	262.93		18	2.10	GF77	6P	179			13	7.44	3.4	11	GFA37 GFAF37 GF37 GFF37	4P	3.8	602	225.79	19	2.50	GFF77	4.3	529	198.31	19	2.80	GFA67	4.5	503	188.40	19	2.90	GFAF67		3.7	611	228.99	11	1.30			GF67	6P	197	11	6.74	3.3	11	GFA37 GFAF37 GF37 GFF37	4P	4.4	521	195.39	12	1.55	GFF67	5.0	456	170.85	12	1.75	GFA67	5.2	433	162.31		12	1.85	GFAF67	6.0	380			142.40	12	2.10	GFF67	4P	220	10	6.05	3.2	12	GFA127R77 GFAF127R77 GF127R77 GFF127R77	4P	5.8	391	228.99	12	1.95	GFA67	6.8	333	195.39	12	2.30	GFAF67		7.8	291	170.85	12	2.60			GF67	8.2	277	162.31	12	2.80	GFF67	6P	255	9	5.21	3.1	13	GFA107R77 GFAF107R77 GF107R77 GFF107R77	4P	9.3	243	142.40	12	3.10	GFA57	4.3	533	199.70		9.1	1.10	GFAF57	4.6	490			183.60	9.4	1.20	GF57	5.4	419	157.09	10	1.40	GFF57	6P	271	8	4.90	3.0	13	GFA97R57 GFAF97R57 GF97R57 GFF97R57	4P	6.2	363	136.16	10	1.60	GFA57		6.7	340	127.27	10	1.75			GFAF57	7.7	294	110.01	11	2.00	GF57	6.7	341	199.70	10	1.65	GFF57	4P	315	7	4.22	2.9	14	GFA87R57 GFAF87R57 GF87R57 GFF87R57	4P	7.2	313	183.60		10	1.80	GFA57	8.5	268			157.09	11	2.10	GFAF57	9.8	232	136.16	11	2.40	GF57	10	217	127.27	11	2.60	GFF57	6P	0.20	16237	6772	81	0.80	GFA127R77 GFAF127R77 GF127R77 GFF127R77	4P		12	188	110.01	11	3.00			GFA47	5.7	400	150.06	5.5	1.00	GFAF47	6.5	347	130.07	6.2	1.15	GF47	7.0	324	121.57	6.4	1.20	GFF47	4P	0.22	14283	5957	84		0.85	GFA107R77 GFAF107R77 GF107R77 GFF107R77	4P	8.1	280			105.09	6.8	1.40	GFA47	7.0	325	190.76	6.2	1.15	GFA47	7.6	299	175.38	6.5	1.25	GFAF47	8.9	256	150.06	6.9	1.45	GF47	6P	0.26		12427	5183	86	1.00	GFA97R57 GFAF97R57 GF97R57 GFF97R57			4P	10.2	222	130.07	7.2	1.65	GFF47	10.9	207	121.57	7.3	1.80	GFA47	12.7	179	105.09	7.4	2.10	GFAF47	14.9	152	89.29	7.6	2.40		GF47	4P	0.29	10931	4559			86	1.15	GFA87R57 GFAF87R57 GF87R57 GFF87R57	4P	10	219	128.51	3.5	0.85	GFF47	11	201	117.88	3.8	0.90	GFA77R37	13	171	100.36	4.3	1.10	GFAF77R37	15	148		86.53	4.6	1.25	GF77R37	6P			0.34	9294	3876	86	1.35	GFA77R37 GFAF77R37 GF77R37 GFF77R37	4P	16	138	80.65	4.7	1.35	GF77R37	19	120	70.50	4.8	1.55	GFF77R37	20	113	66.09	4.9	1.65	GFA37	23	99	58.32	4.9	1.85	GFAF37	4P	0.39	8176	3410	86	1.55	GFA37 GFAF37 GF37 GFF37	4P	24	93	54.54	5.0	2.00	GF37	26	88	51.70	5.0	2.10	GFF37																																											
7.6	284	175	6.9	1.45	GFF47R17		5.3	410	253	5.6	1.00			GFA47R17	4P	42	54	31.69	5.2	3.40		GFA37 GFAF37 GF37 GFF37	4P	6.1	352	217				6.2	1.20	GFAF47R17			7.0	308	190	6.6	1.35	GF47R17	7.5	288	178	6.8	1.45	GFF47R17	8.9	241	149	7.1	1.70	GFF47R17	4P	56	40		23.63	4.9		4.60	GFA37 GFAF37 GF37 GFF37	4P					10	212	131	7.3	1.95	GFA37R17	9.2	235	145	3.5	0.85	GFAF37R17	10	209	129	3.9	1.00	GF37R17	11	191	118	4.2	1.10	GFA37R17			6P	93	24	14.33			4.2			7.60	GFA37 GFAF37 GF37 GFF37	4P	14	159	98	4.5	1.30	GFA37R17	15	141	87	4.7	1.45	GFA77	3.0	752	281.71	18	1.95	GFAF77		3.2	702	262.93		18			2.10	GF77	6P	179			13	7.44	3.4	11	GFA37 GFAF37 GF37 GFF37	4P	3.8	602	225.79	19	2.50	GFF77	4.3	529	198.31	19	2.80	GFA67		4.5	503	188.40	19	2.90			GFAF67		3.7	611	228.99	11	1.30			GF67	6P	197	11	6.74	3.3	11	GFA37 GFAF37 GF37 GFF37	4P	4.4	521	195.39	12	1.55	GFF67		5.0	456	170.85	12	1.75			GFA67	5.2	433	162.31		12	1.85	GFAF67	6.0	380			142.40	12	2.10	GFF67	4P	220	10	6.05	3.2	12	GFA127R77 GFAF127R77 GF127R77 GFF127R77	4P		5.8	391	228.99	12	1.95			GFA67	6.8	333	195.39	12	2.30	GFAF67		7.8	291	170.85	12	2.60			GF67	8.2	277	162.31	12	2.80	GFF67	6P	255		9	5.21	3.1	13	GFA107R77 GFAF107R77 GF107R77 GFF107R77			4P	9.3	243	142.40	12	3.10	GFA57	4.3	533	199.70		9.1	1.10	GFAF57	4.6	490			183.60	9.4	1.20	GF57	5.4	419		157.09	10	1.40	GFF57	6P			271	8	4.90	3.0	13	GFA97R57 GFAF97R57 GF97R57 GFF97R57	4P	6.2	363	136.16	10	1.60	GFA57		6.7	340	127.27	10	1.75			GFAF57	7.7	294		110.01	11	2.00	GF57	6.7			341	199.70	10	1.65	GFF57	4P	315	7	4.22	2.9	14	GFA87R57 GFAF87R57 GF87R57 GFF87R57	4P	7.2	313	183.60		10	1.80	GFA57	8.5	268				157.09	11	2.10	GFAF57	9.8			232	136.16	11	2.40	GF57	10	217	127.27	11	2.60	GFF57	6P	0.20	16237	6772	81	0.80	GFA127R77 GFAF127R77 GF127R77 GFF127R77	4P		12	188	110.01	11		3.00			GFA47	5.7			400	150.06	5.5	1.00	GFAF47	6.5	347	130.07	6.2	1.15	GF47	7.0	324	121.57	6.4	1.20	GFF47	4P	0.22	14283	5957	84		0.85		GFA107R77 GFAF107R77 GF107R77 GFF107R77	4P	8.1	280					105.09	6.8	1.40	GFA47	7.0	325	190.76	6.2	1.15	GFA47	7.6	299	175.38	6.5	1.25	GFAF47	8.9	256	150.06	6.9	1.45	GF47	6P		0.26		12427	5183	86			1.00	GFA97R57 GFAF97R57 GF97R57 GFF97R57			4P	10.2	222	130.07	7.2	1.65	GFF47	10.9	207	121.57	7.3	1.80	GFA47	12.7	179	105.09	7.4	2.10	GFAF47	14.9		152	89.29	7.6	2.40				GF47	4P	0.29	10931	4559			86	1.15	GFA87R57 GFAF87R57 GF87R57 GFF87R57	4P	10	219	128.51	3.5	0.85	GFF47	11	201	117.88	3.8	0.90	GFA77R37	13	171	100.36	4.3	1.10	GFAF77R37	15	148		86.53	4.6	1.25	GF77R37	6P			0.34	9294	3876	86	1.35	GFA77R37 GFAF77R37 GF77R37 GFF77R37	4P	16	138	80.65	4.7	1.35	GF77R37	19	120	70.50	4.8	1.55	GFF77R37	20	113	66.09	4.9	1.65	GFA37	23	99	58.32	4.9	1.85	GFAF37	4P	0.39	8176	3410	86	1.55	GFA37 GFAF37 GF37 GFF37	4P	24	93	54.54	5.0	2.00	GF37	26	88	51.70	5.0	2.10	GFF37				
5.3	410	253	5.6	1.00	GFA47R17	4P	42	54	31.69	5.2	3.40	GFA37 GFAF37 GF37 GFF37	4P																																																																																																																																																																																																																																																																																																																																																																																																																																																																																																																																																																																			
6.1	352	217	6.2	1.20	GFAF47R17		7.0	308	190	6.6	1.35			GF47R17		7.5	288	178	6.8	1.45				GFF47R17	8.9	241	149			7.1	1.70	GFF47R17	4P	56	40	23.63	4.9	4.60	GFA37 GFAF37 GF37 GFF37	4P	10	212	131	7.3	1.95	GFA37R17	9.2	235	145	3.5	0.85	GFAF37R17		10	209		129	3.9	1.00	GF37R17					11	191	118	4.2	1.10	GFA37R17	6P	93	24	14.33	4.2	7.60	GFA37 GFAF37 GF37 GFF37	4P	14	159	98	4.5	1.30	GFA37R17	15	141	87	4.7	1.45	GFA77	3.0			752	281.71	18	1.95	GFAF77	3.2			702			262.93	18	2.10	GF77	6P	179	13	7.44	3.4	11	GFA37 GFAF37 GF37 GFF37	4P	3.8	602	225.79	19	2.50	GFF77	4.3	529	198.31	19		2.80	GFA67	4.5	503	188.40		19			2.90	GFAF67	3.7	611			228.99	11	1.30	GF67	6P	197	11	6.74	3.3	11	GFA37 GFAF37 GF37 GFF37	4P	4.4	521	195.39	12	1.55	GFF67	5.0	456	170.85		12	1.75	GFA67	5.2	433			162.31		12	1.85	GFAF67	6.0	380			142.40	12	2.10	GFF67	4P	220	10	6.05	3.2	12	GFA127R77 GFAF127R77 GF127R77 GFF127R77	4P	5.8	391	228.99	12	1.95	GFA67		6.8	333	195.39	12	2.30			GFAF67	7.8	291	170.85		12	2.60	GF67	8.2	277			162.31	12	2.80	GFF67	6P	255	9	5.21	3.1	13	GFA107R77 GFAF107R77 GF107R77 GFF107R77	4P	9.3	243	142.40		12	3.10	GFA57	4.3	533			199.70	9.1	1.10	GFAF57	4.6	490	183.60		9.4	1.20	GF57	5.4	419	157.09		10	1.40		GFF57	6P	271	8	4.90	3.0	13	GFA97R57 GFAF97R57 GF97R57 GFF97R57	4P		6.2	363	136.16	10	1.60			GFA57	6.7	340	127.27	10	1.75	GFAF57	7.7	294	110.01	11		2.00	GF57	6.7	341	199.70	10	1.65			GFF57	4P	315	7	4.22	2.9		14	GFA87R57 GFAF87R57 GF87R57 GFF87R57	4P	7.2	313			183.60	10	1.80	GFA57	8.5	268	157.09	11	2.10	GFAF57	9.8	232	136.16	11	2.40	GF57		10	217	127.27	11	2.60			GFF57	6P	0.20		16237	6772	81	0.80	GFA127R77 GFAF127R77 GF127R77 GFF127R77			4P	12	188	110.01	11	3.00	GFA47	5.7	400	150.06	5.5	1.00	GFAF47	6.5	347	130.07	6.2	1.15	GF47		7.0	324	121.57	6.4	1.20				GFF47	4P	0.22	14283	5957	84			0.85	GFA107R77 GFAF107R77 GF107R77 GFF107R77	4P	8.1	280	105.09	6.8	1.40	GFA47	7.0	325	190.76	6.2	1.15	GFA47	7.6	299	175.38	6.5	1.25	GFAF47		8.9	256	150.06	6.9		1.45	GF47			6P	0.26		12427	5183		86	1.00	GFA97R57 GFAF97R57 GF97R57 GFF97R57	4P	10.2	222	130.07	7.2	1.65	GFF47	10.9	207	121.57	7.3	1.80	GFA47	12.7	179	105.09	7.4	2.10	GFAF47		14.9	152		89.29	7.6	2.40	GF47	4P	0.29					10931	4559	86	1.15	GFA87R57 GFAF87R57 GF87R57 GFF87R57	4P	10	219	128.51	3.5	0.85	GFF47	11	201	117.88	3.8	0.90	GFA77R37	13	171	100.36	4.3	1.10	GFAF77R37		15	148	86.53		4.6	1.25	GF77R37			6P	0.34			9294	3876	86	1.35	GFA77R37 GFAF77R37 GF77R37 GFF77R37	4P	16	138	80.65	4.7	1.35	GF77R37	19	120	70.50	4.8	1.55	GFF77R37	20	113		66.09	4.9	1.65	GFA37				23	99	58.32	4.9	1.85			GFAF37	4P	0.39	8176	3410	86	1.55	GFA37 GFAF37 GF37 GFF37	4P	24	93	54.54	5.0	2.00	GF37	26	88	51.70	5.0	2.10	GFF37																											
7.0	308	190	6.6	1.35	GF47R17		7.5	288	178	6.8	1.45			GFF47R17		8.9	241	149	7.1	1.70	GFF47R17			4P	56	40	23.63	4.9	4.60	GFA37 GFAF37 GF37 GFF37	4P	10		212	131	7.3	1.95	GFA37R17			9.2	235	145	3.5	0.85	GFAF37R17	10	209	129	3.9	1.00	GF37R17		11	191	118	4.2	1.10	GFA37R17	6P			93	24	14.33	4.2	7.60	GFA37 GFAF37 GF37 GFF37	4P	14		159	98	4.5	1.30	GFA37R17			15	141	87	4.7	1.45	GFA77	3.0	752	281.71	18	1.95	GFAF77	3.2	702		262.93	18	2.10	GF77	6P	179	13	7.44	3.4			11	GFA37 GFAF37 GF37 GFF37	4P	3.8		602	225.79	19	2.50	GFF77			4.3	529	198.31	19	2.80	GFA67	4.5	503	188.40	19	2.90	GFAF67	3.7	611	228.99	11		1.30	GF67	6P	197	11	6.74	3.3			11	GFA37 GFAF37 GF37 GFF37	4P	4.4		521	195.39	12	1.55	GFF67			5.0	456	170.85	12	1.75	GFA67	5.2	433	162.31	12	1.85	GFAF67	6.0	380	142.40	12	2.10	GFF67		4P	220	10	6.05	3.2			12	GFA127R77 GFAF127R77 GF127R77 GFF127R77	4P	5.8		391	228.99	12	1.95	GFA67			6.8	333	195.39	12	2.30	GFAF67	7.8	291	170.85	12	2.60	GF67	8.2	277	162.31	12	2.80	GFF67		6P	255	9	5.21	3.1			13	GFA107R77 GFAF107R77 GF107R77 GFF107R77	4P	9.3		243	142.40	12	3.10	GFA57			4.3	533	199.70	9.1	1.10	GFAF57	4.6	490	183.60	9.4	1.20	GF57	5.4	419	157.09	10	1.40	GFF57		6P	271	8	4.90	3.0	13		GFA97R57 GFAF97R57 GF97R57 GFF97R57	4P		6.2		363	136.16	10	1.60	GFA57			6.7	340	127.27	10	1.75	GFAF57	7.7	294	110.01	11	2.00	GF57	6.7	341	199.70	10	1.65	GFF57	4P		315	7	4.22	2.9	14	GFA87R57 GFAF87R57 GF87R57 GFF87R57	4P			7.2		313	183.60	10	1.80	GFA57	8.5			268	157.09	11	2.10	GFAF57	9.8	232	136.16	11	2.40	GF57	10	217	127.27	11	2.60	GFF57	6P	0.20	16237		6772	81	0.80	GFA127R77 GFAF127R77 GF127R77 GFF127R77	4P			12		188	110.01	11	3.00	GFA47	5.7		400	150.06		5.5	1.00	GFAF47	6.5	347	130.07	6.2	1.15	GF47	7.0	324	121.57	6.4	1.20	GFF47	4P	0.22	14283		5957	84	0.85	GFA107R77 GFAF107R77 GF107R77 GFF107R77	4P			8.1	280		105.09	6.8	1.40	GFA47	7.0	325	190.76			6.2	1.15	GFA47	7.6	299	175.38	6.5	1.25	GFAF47	8.9	256	150.06	6.9	1.45	GF47	6P	0.26	12427		5183	86	1.00	GFA97R57 GFAF97R57 GF97R57 GFF97R57	4P	10.2	222				130.07	7.2	1.65	GFF47	10.9	207	121.57			7.3	1.80	GFA47	12.7	179	105.09	7.4	2.10	GFAF47	14.9	152	89.29	7.6	2.40	GF47	4P	0.29	10931		4559	86	1.15	GFA87R57 GFAF87R57 GF87R57 GFF87R57	4P	10	219		128.51		3.5	0.85		GFF47	11	201	117.88			3.8	0.90	GFA77R37	13	171	100.36	4.3	1.10	GFAF77R37	15	148	86.53	4.6	1.25	GF77R37	6P	0.34	9294	3876	86	1.35	GFA77R37 GFAF77R37 GF77R37 GFF77R37		4P	16	138	80.65	4.7		1.35			GF77R37	19	120	70.50			4.8	1.55	GFF77R37	20	113	66.09	4.9	1.65	GFA37	23	99	58.32	4.9	1.85	GFAF37	4P	0.39	8176	3410		86	1.55	GFA37 GFAF37 GF37 GFF37	4P	24	93	54.54			5.0		2.00	GF37	26	88	51.70			5.0	2.10	GFF37																																				
7.5	288	178	6.8	1.45	GFF47R17		8.9	241	149	7.1	1.70			GFF47R17	4P	56	40	23.63	4.9	4.60	GFA37 GFAF37 GF37 GFF37	4P	10		212	131	7.3	1.95	GFA37R17			9.2		235	145	3.5	0.85	GFAF37R17			10	209	129	3.9	1.00	GF37R17	11	191	118	4.2	1.10	GFA37R17	6P	93	24	14.33	4.2	7.60	GFA37 GFAF37 GF37 GFF37		4P	14	159	98	4.5	1.30	GFA37R17			15		141	87	4.7	1.45	GFA77			3.0	752	281.71	18	1.95	GFAF77	3.2	702	262.93	18	2.10	GF77	6P	179	13	7.44	3.4	11	GFA37 GFAF37 GF37 GFF37		4P	3.8	602	225.79	19	2.50	GFF77			4.3		529	198.31	19	2.80	GFA67			4.5	503	188.40	19	2.90	GFAF67	3.7	611	228.99	11	1.30	GF67	6P	197	11	6.74	3.3	11	GFA37 GFAF37 GF37 GFF37		4P	4.4	521	195.39	12	1.55	GFF67			5.0		456	170.85	12	1.75	GFA67			5.2	433	162.31	12	1.85	GFAF67	6.0	380	142.40	12	2.10	GFF67	4P	220	10	6.05	3.2	12	GFA127R77 GFAF127R77 GF127R77 GFF127R77		4P	5.8	391	228.99	12	1.95	GFA67			6.8		333	195.39	12	2.30	GFAF67			7.8	291	170.85	12	2.60	GF67	8.2	277	162.31	12	2.80	GFF67	6P	255	9	5.21	3.1	13	GFA107R77 GFAF107R77 GF107R77 GFF107R77		4P	9.3	243	142.40	12	3.10	GFA57			4.3		533	199.70	9.1	1.10	GFAF57			4.6	490	183.60	9.4	1.20	GF57	5.4	419	157.09	10	1.40	GFF57	6P	271	8	4.90	3.0	13	GFA97R57 GFAF97R57 GF97R57 GFF97R57		4P	6.2	363	136.16	10	1.60			GFA57	6.7		340	127.27	10	1.75	GFAF57			7.7	294	110.01	11	2.00	GF57	6.7	341	199.70	10	1.65	GFF57	4P	315	7	4.22	2.9	14		GFA87R57 GFAF87R57 GF87R57 GFF87R57	4P	7.2	313	183.60	10			1.80	GFA57	8.5		268	157.09	11	2.10	GFAF57	9.8			232	136.16	11	2.40	GF57	10	217	127.27	11	2.60	GFF57	6P	0.20	16237	6772	81	0.80		GFA127R77 GFAF127R77 GF127R77 GFF127R77	4P	12	188	110.01	11			3.00	GFA47	5.7		400	150.06	5.5	1.00	GFAF47	6.5		347	130.07		6.2	1.15	GF47	7.0	324	121.57	6.4	1.20	GFF47	4P	0.22	14283	5957	84	0.85		GFA107R77 GFAF107R77 GF107R77 GFF107R77	4P	8.1	280	105.09	6.8			1.40	GFA47	7.0	325		190.76	6.2	1.15	GFA47	7.6	299	175.38			6.5	1.25	GFAF47	8.9	256	150.06	6.9	1.45	GF47	6P	0.26	12427	5183	86	1.00		GFA97R57 GFAF97R57 GF97R57 GFF97R57	4P	10.2	222	130.07	7.2			1.65	GFF47	10.9	207		121.57	7.3	1.80	GFA47	12.7	179	105.09			7.4	2.10	GFAF47	14.9	152	89.29	7.6	2.40	GF47	4P	0.29	10931	4559	86	1.15		GFA87R57 GFAF87R57 GF87R57 GFF87R57	4P	10	219	128.51	3.5			0.85	GFF47		11	201	117.88	3.8	0.90	GFA77R37	13	171	100.36			4.3	1.10	GFAF77R37	15	148	86.53	4.6	1.25	GF77R37	6P	0.34	9294	3876	86	1.35		GFA77R37 GFAF77R37 GF77R37 GFF77R37	4P	16	138	80.65		4.7		1.35	GF77R37	19	120		70.50	4.8	1.55	GFF77R37	20	113	66.09			4.9	1.65	GFA37	23	99	58.32	4.9	1.85	GFAF37	4P	0.39	8176	3410	86	1.55		GFA37 GFAF37 GF37 GFF37	4P	24	93	54.54	5.0			2.00	GF37	26	88	51.70	5.0		2.10	GFF37																																												
8.9	241	149	7.1	1.70	GFF47R17	4P	56	40	23.63	4.9	4.60	GFA37 GFAF37 GF37 GFF37	4P																																																																																																																																																																																																																																																																																																																																																																																																																																																																																																																																																																																			
10	212	131	7.3	1.95	GFA37R17		9.2	235	145	3.5	0.85			GFAF37R17		10	209	129	3.9	1.00			GF37R17		11	191	118	4.2	1.10			GFA37R17	6P	93	24	14.33	4.2	7.60	GFA37 GFAF37 GF37 GFF37	4P	14	159	98	4.5	1.30	GFA37R17	15	141	87	4.7	1.45	GFA77		3.0	752	281.71	18	1.95				GFAF77	3.2	702	262.93	18	2.10			GF77	6P	179	13	7.44	3.4	11	GFA37 GFAF37 GF37 GFF37	4P	3.8	602	225.79	19	2.50	GFF77	4.3	529	198.31	19	2.80	GFA67		4.5	503	188.40	19	2.90				GFAF67	3.7	611	228.99	11	1.30			GF67	6P	197	11	6.74	3.3	11	GFA37 GFAF37 GF37 GFF37	4P	4.4	521	195.39	12	1.55	GFF67	5.0	456	170.85	12	1.75	GFA67		5.2	433	162.31	12	1.85				GFAF67	6.0	380	142.40	12	2.10			GFF67	4P	220	10	6.05	3.2	12	GFA127R77 GFAF127R77 GF127R77 GFF127R77	4P	5.8	391	228.99	12	1.95	GFA67	6.8	333	195.39	12	2.30	GFAF67		7.8	291	170.85	12	2.60				GF67	8.2	277	162.31	12	2.80			GFF67	6P	255	9	5.21	3.1	13	GFA107R77 GFAF107R77 GF107R77 GFF107R77	4P	9.3	243	142.40	12	3.10	GFA57	4.3	533	199.70	9.1	1.10	GFAF57		4.6	490	183.60	9.4	1.20				GF57	5.4	419	157.09	10	1.40			GFF57	6P	271	8	4.90	3.0	13	GFA97R57 GFAF97R57 GF97R57 GFF97R57	4P	6.2	363	136.16	10	1.60	GFA57	6.7	340	127.27	10	1.75	GFAF57		7.7	294	110.01	11	2.00				GF57	6.7	341	199.70	10			1.65	GFF57	4P	315	7	4.22	2.9	14	GFA87R57 GFAF87R57 GF87R57 GFF87R57	4P	7.2	313	183.60	10	1.80	GFA57	8.5	268	157.09	11	2.10	GFAF57		9.8	232	136.16	11	2.40				GF57	10	217	127.27			11	2.60	GFF57	6P	0.20	16237	6772	81	0.80	GFA127R77 GFAF127R77 GF127R77 GFF127R77	4P	12	188	110.01	11	3.00	GFA47	5.7	400	150.06	5.5	1.00	GFAF47		6.5	347	130.07	6.2	1.15				GF47	7.0	324	121.57			6.4	1.20	GFF47	4P	0.22	14283	5957	84	0.85	GFA107R77 GFAF107R77 GF107R77 GFF107R77	4P	8.1	280	105.09	6.8	1.40	GFA47	7.0	325	190.76	6.2	1.15	GFA47		7.6	299	175.38	6.5	1.25				GFAF47	8.9	256	150.06			6.9	1.45	GF47	6P	0.26	12427	5183	86	1.00	GFA97R57 GFAF97R57 GF97R57 GFF97R57	4P	10.2	222	130.07	7.2	1.65	GFF47	10.9	207	121.57	7.3	1.80	GFA47		12.7	179	105.09	7.4	2.10				GFAF47	14.9	152	89.29			7.6	2.40	GF47	4P	0.29	10931	4559	86	1.15	GFA87R57 GFAF87R57 GF87R57 GFF87R57	4P	10	219	128.51	3.5	0.85	GFF47	11	201	117.88	3.8	0.90	GFA77R37		13	171	100.36	4.3	1.10				GFAF77R37	15	148	86.53			4.6	1.25	GF77R37	6P	0.34	9294	3876	86	1.35	GFA77R37 GFAF77R37 GF77R37 GFF77R37	4P	16	138	80.65	4.7	1.35	GF77R37	19	120	70.50	4.8	1.55	GFF77R37		20	113	66.09	4.9	1.65				GFA37	23	99		58.32		4.9	1.85	GFAF37	4P	0.39	8176	3410	86	1.55	GFA37 GFAF37 GF37 GFF37	4P	24	93	54.54	5.0	2.00	GF37	26	88	51.70	5.0	2.10	GFF37																																																																				
9.2	235	145	3.5	0.85	GFAF37R17		10	209	129	3.9	1.00			GF37R17		11	191	118	4.2	1.10			GFA37R17	6P	93	24	14.33	4.2	7.60	GFA37 GFAF37 GF37 GFF37	4P	14		159	98	4.5	1.30	GFA37R17			15	141	87	4.7	1.45	GFA77	3.0	752	281.71	18	1.95	GFAF77		3.2	702	262.93	18	2.10		GF77		6P	179	13	7.44	3.4	11	GFA37 GFAF37 GF37 GFF37	4P	3.8		602	225.79	19	2.50	GFF77			4.3	529	198.31	19	2.80	GFA67	4.5	503	188.40	19	2.90	GFAF67		3.7	611	228.99	11	1.30		GF67		6P	197	11	6.74	3.3	11	GFA37 GFAF37 GF37 GFF37	4P	4.4		521	195.39	12	1.55	GFF67			5.0	456	170.85	12	1.75	GFA67	5.2	433	162.31	12	1.85	GFAF67		6.0	380	142.40	12	2.10		GFF67		4P	220	10	6.05	3.2	12	GFA127R77 GFAF127R77 GF127R77 GFF127R77	4P	5.8		391	228.99	12	1.95	GFA67			6.8	333	195.39	12	2.30	GFAF67	7.8	291	170.85	12	2.60	GF67		8.2	277	162.31	12	2.80		GFF67		6P	255	9	5.21	3.1	13	GFA107R77 GFAF107R77 GF107R77 GFF107R77	4P	9.3		243	142.40	12	3.10	GFA57			4.3	533	199.70	9.1	1.10	GFAF57	4.6	490	183.60	9.4	1.20	GF57		5.4	419	157.09	10	1.40		GFF57		6P	271	8	4.90	3.0	13	GFA97R57 GFAF97R57 GF97R57 GFF97R57	4P	6.2		363	136.16	10	1.60	GFA57			6.7	340	127.27	10	1.75	GFAF57	7.7	294	110.01	11	2.00	GF57		6.7	341	199.70	10	1.65		GFF57		4P	315	7	4.22	2.9	14	GFA87R57 GFAF87R57 GF87R57 GFF87R57	4P	7.2		313	183.60	10	1.80	GFA57			8.5	268	157.09	11	2.10	GFAF57	9.8	232	136.16	11	2.40	GF57		10	217	127.27	11	2.60	GFF57			6P	0.20	16237	6772	81	0.80	GFA127R77 GFAF127R77 GF127R77 GFF127R77	4P	12		188	110.01	11	3.00	GFA47			5.7	400	150.06	5.5	1.00	GFAF47	6.5	347	130.07	6.2	1.15	GF47		7.0	324	121.57	6.4	1.20	GFF47			4P	0.22	14283	5957	84	0.85	GFA107R77 GFAF107R77 GF107R77 GFF107R77	4P	8.1		280	105.09	6.8	1.40	GFA47			7.0	325	190.76	6.2	1.15	GFA47	7.6	299	175.38	6.5	1.25	GFAF47		8.9	256	150.06	6.9	1.45	GF47			6P	0.26	12427	5183	86	1.00	GFA97R57 GFAF97R57 GF97R57 GFF97R57	4P	10.2		222	130.07	7.2	1.65	GFF47			10.9	207	121.57	7.3	1.80	GFA47	12.7	179	105.09	7.4	2.10	GFAF47		14.9	152	89.29	7.6	2.40	GF47			4P	0.29	10931	4559	86	1.15	GFA87R57 GFAF87R57 GF87R57 GFF87R57	4P	10		219	128.51	3.5	0.85	GFF47			11	201	117.88	3.8	0.90	GFA77R37	13	171	100.36	4.3	1.10	GFAF77R37		15	148	86.53	4.6	1.25	GF77R37			6P	0.34	9294	3876	86	1.35	GFA77R37 GFAF77R37 GF77R37 GFF77R37	4P	16		138	80.65	4.7	1.35	GF77R37			19	120	70.50	4.8	1.55	GFF77R37	20	113	66.09	4.9	1.65	GFA37		23	99	58.32	4.9	1.85	GFAF37			4P	0.39	8176	3410	86	1.55	GFA37 GFAF37 GF37 GFF37	4P	24		93	54.54	5.0	2.00	GF37			26	88	51.70	5.0	2.10	GFF37																																																																										
10	209	129	3.9	1.00	GF37R17		11	191	118	4.2	1.10			GFA37R17	6P	93	24	14.33	4.2	7.60	GFA37 GFAF37 GF37 GFF37	4P	14		159	98	4.5	1.30	GFA37R17			15		141	87	4.7	1.45	GFA77			3.0	752	281.71	18	1.95	GFAF77	3.2	702	262.93	18	2.10	GF77	6P	179	13	7.44	3.4	11	GFA37 GFAF37 GF37 GFF37	4P	3.8		602	225.79	19	2.50	GFF77			4.3		529	198.31	19	2.80	GFA67			4.5	503	188.40	19	2.90	GFAF67	3.7	611	228.99	11	1.30	GF67	6P	197	11	6.74	3.3	11	GFA37 GFAF37 GF37 GFF37	4P	4.4		521	195.39	12	1.55	GFF67			5.0		456	170.85	12	1.75	GFA67			5.2	433	162.31	12	1.85	GFAF67	6.0	380	142.40	12	2.10	GFF67	4P	220	10	6.05	3.2	12	GFA127R77 GFAF127R77 GF127R77 GFF127R77	4P	5.8		391	228.99	12	1.95	GFA67			6.8		333	195.39	12	2.30	GFAF67			7.8	291	170.85	12	2.60	GF67	8.2	277	162.31	12	2.80	GFF67	6P	255	9	5.21	3.1	13	GFA107R77 GFAF107R77 GF107R77 GFF107R77	4P	9.3		243	142.40	12	3.10	GFA57			4.3		533	199.70	9.1	1.10	GFAF57			4.6	490	183.60	9.4	1.20	GF57	5.4	419	157.09	10	1.40	GFF57	6P	271	8	4.90	3.0	13	GFA97R57 GFAF97R57 GF97R57 GFF97R57	4P	6.2		363	136.16	10	1.60	GFA57			6.7		340	127.27	10	1.75	GFAF57			7.7	294	110.01	11	2.00	GF57	6.7	341	199.70	10	1.65	GFF57	4P	315	7	4.22	2.9	14	GFA87R57 GFAF87R57 GF87R57 GFF87R57	4P	7.2		313	183.60	10	1.80	GFA57			8.5		268	157.09	11	2.10	GFAF57			9.8	232	136.16	11	2.40	GF57	10	217	127.27	11	2.60	GFF57	6P	0.20	16237	6772	81	0.80	GFA127R77 GFAF127R77 GF127R77 GFF127R77	4P	12		188	110.01	11	3.00	GFA47			5.7		400	150.06	5.5	1.00	GFAF47			6.5	347	130.07	6.2	1.15	GF47	7.0	324	121.57	6.4	1.20	GFF47	4P	0.22	14283	5957	84	0.85	GFA107R77 GFAF107R77 GF107R77 GFF107R77	4P	8.1		280	105.09	6.8	1.40	GFA47			7.0		325	190.76	6.2	1.15	GFA47			7.6	299	175.38	6.5	1.25	GFAF47	8.9	256	150.06	6.9	1.45	GF47	6P	0.26	12427	5183	86	1.00	GFA97R57 GFAF97R57 GF97R57 GFF97R57	4P	10.2		222	130.07	7.2	1.65	GFF47			10.9		207	121.57	7.3	1.80	GFA47			12.7	179	105.09	7.4	2.10	GFAF47	14.9	152	89.29	7.6	2.40	GF47	4P	0.29	10931	4559	86	1.15	GFA87R57 GFAF87R57 GF87R57 GFF87R57	4P	10		219	128.51	3.5	0.85	GFF47			11		201	117.88	3.8	0.90	GFA77R37			13	171	100.36	4.3	1.10	GFAF77R37	15	148	86.53	4.6	1.25	GF77R37	6P	0.34	9294	3876	86	1.35	GFA77R37 GFAF77R37 GF77R37 GFF77R37	4P	16		138	80.65	4.7	1.35	GF77R37			19		120	70.50	4.8	1.55	GFF77R37			20	113	66.09	4.9	1.65	GFA37	23	99	58.32	4.9	1.85	GFAF37	4P	0.39	8176	3410	86	1.55	GFA37 GFAF37 GF37 GFF37	4P	24		93	54.54	5.0	2.00	GF37			26		88	51.70	5.0	2.10	GFF37																																																																																		
11	191	118	4.2	1.10	GFA37R17	6P	93	24	14.33	4.2	7.60	GFA37 GFAF37 GF37 GFF37	4P																																																																																																																																																																																																																																																																																																																																																																																																																																																																																																																																																																																			
14	159	98	4.5	1.30	GFA37R17		15	141	87	4.7	1.45			GFA77		3.0	752	281.71	18	1.95			GFAF77		3.2	702	262.93	18	2.10			GF77	6P	179	13	7.44	3.4	11	GFA37 GFAF37 GF37 GFF37	4P	3.8	602	225.79	19	2.50	GFF77	4.3	529	198.31	19	2.80	GFA67		4.5	503	188.40	19	2.90			GFAF67		3.7	611	228.99	11	1.30			GF67	6P	197	11	6.74	3.3	11	GFA37 GFAF37 GF37 GFF37	4P	4.4	521	195.39	12	1.55	GFF67	5.0	456	170.85	12	1.75	GFA67		5.2	433	162.31	12	1.85			GFAF67		6.0	380	142.40	12	2.10			GFF67	4P	220	10	6.05	3.2	12	GFA127R77 GFAF127R77 GF127R77 GFF127R77	4P	5.8	391	228.99	12	1.95	GFA67	6.8	333	195.39	12	2.30	GFAF67		7.8	291	170.85	12	2.60			GF67		8.2	277	162.31	12	2.80			GFF67	6P	255	9	5.21	3.1	13	GFA107R77 GFAF107R77 GF107R77 GFF107R77	4P	9.3	243	142.40	12	3.10	GFA57	4.3	533	199.70	9.1	1.10	GFAF57		4.6	490	183.60	9.4	1.20			GF57		5.4	419	157.09	10	1.40			GFF57	6P	271	8	4.90	3.0	13	GFA97R57 GFAF97R57 GF97R57 GFF97R57	4P	6.2	363	136.16	10	1.60	GFA57	6.7	340	127.27	10	1.75	GFAF57		7.7	294	110.01	11	2.00			GF57		6.7	341	199.70	10	1.65			GFF57	4P	315	7	4.22	2.9	14	GFA87R57 GFAF87R57 GF87R57 GFF87R57	4P	7.2	313	183.60	10	1.80	GFA57	8.5	268	157.09	11	2.10	GFAF57		9.8	232	136.16	11	2.40			GF57		10	217	127.27	11	2.60			GFF57	6P	0.20	16237	6772	81	0.80	GFA127R77 GFAF127R77 GF127R77 GFF127R77	4P	12	188	110.01	11	3.00	GFA47	5.7	400	150.06	5.5	1.00	GFAF47		6.5	347	130.07	6.2	1.15			GF47		7.0	324	121.57	6.4	1.20			GFF47	4P	0.22	14283	5957	84	0.85	GFA107R77 GFAF107R77 GF107R77 GFF107R77	4P	8.1	280	105.09	6.8	1.40	GFA47	7.0	325	190.76	6.2	1.15	GFA47		7.6	299	175.38	6.5	1.25			GFAF47		8.9	256	150.06	6.9	1.45			GF47	6P	0.26	12427	5183	86	1.00	GFA97R57 GFAF97R57 GF97R57 GFF97R57	4P	10.2	222	130.07	7.2	1.65	GFF47	10.9	207	121.57	7.3	1.80	GFA47		12.7	179	105.09	7.4	2.10			GFAF47		14.9	152	89.29	7.6	2.40			GF47	4P	0.29	10931	4559	86	1.15	GFA87R57 GFAF87R57 GF87R57 GFF87R57	4P	10	219	128.51	3.5	0.85	GFF47	11	201	117.88	3.8	0.90	GFA77R37		13	171	100.36	4.3	1.10			GFAF77R37		15	148	86.53	4.6	1.25			GF77R37	6P	0.34	9294	3876	86	1.35	GFA77R37 GFAF77R37 GF77R37 GFF77R37	4P	16	138	80.65	4.7	1.35	GF77R37	19	120	70.50	4.8	1.55	GFF77R37		20	113	66.09	4.9	1.65			GFA37		23	99	58.32	4.9	1.85			GFAF37	4P	0.39	8176	3410	86	1.55	GFA37 GFAF37 GF37 GFF37	4P	24	93	54.54	5.0	2.00	GF37	26	88	51.70	5.0	2.10	GFF37																																																																																																										
15	141	87	4.7	1.45	GFA77		3.0	752	281.71	18	1.95			GFAF77		3.2	702	262.93	18	2.10			GF77	6P	179	13	7.44	3.4	11	GFA37 GFAF37 GF37 GFF37	4P	3.8		602	225.79	19	2.50	GFF77			4.3	529	198.31	19	2.80	GFA67	4.5	503	188.40	19	2.90	GFAF67		3.7	611	228.99	11	1.30			GF67	6P	197	11	6.74	3.3	11	GFA37 GFAF37 GF37 GFF37	4P	4.4		521	195.39	12	1.55	GFF67			5.0	456	170.85	12	1.75	GFA67	5.2	433	162.31	12	1.85	GFAF67		6.0	380	142.40	12	2.10			GFF67	4P	220	10	6.05	3.2	12	GFA127R77 GFAF127R77 GF127R77 GFF127R77	4P	5.8		391	228.99	12	1.95	GFA67			6.8	333	195.39	12	2.30	GFAF67	7.8	291	170.85	12	2.60	GF67		8.2	277	162.31	12	2.80			GFF67	6P	255	9	5.21	3.1	13	GFA107R77 GFAF107R77 GF107R77 GFF107R77	4P	9.3		243	142.40	12	3.10	GFA57			4.3	533	199.70	9.1	1.10	GFAF57	4.6	490	183.60	9.4	1.20	GF57		5.4	419	157.09	10	1.40			GFF57	6P	271	8	4.90	3.0	13	GFA97R57 GFAF97R57 GF97R57 GFF97R57	4P	6.2		363	136.16	10	1.60	GFA57			6.7	340	127.27	10	1.75	GFAF57	7.7	294	110.01	11	2.00	GF57		6.7	341	199.70	10	1.65			GFF57	4P	315	7	4.22	2.9	14	GFA87R57 GFAF87R57 GF87R57 GFF87R57	4P	7.2		313	183.60	10	1.80	GFA57			8.5	268	157.09	11	2.10	GFAF57	9.8	232	136.16	11	2.40	GF57		10	217	127.27	11	2.60			GFF57	6P	0.20	16237	6772	81	0.80	GFA127R77 GFAF127R77 GF127R77 GFF127R77	4P	12		188	110.01	11	3.00	GFA47			5.7	400	150.06	5.5	1.00	GFAF47	6.5	347	130.07	6.2	1.15	GF47		7.0	324	121.57	6.4	1.20			GFF47	4P	0.22	14283	5957	84	0.85	GFA107R77 GFAF107R77 GF107R77 GFF107R77	4P	8.1		280	105.09	6.8	1.40	GFA47			7.0	325	190.76	6.2	1.15	GFA47	7.6	299	175.38	6.5	1.25	GFAF47		8.9	256	150.06	6.9	1.45			GF47	6P	0.26	12427	5183	86	1.00	GFA97R57 GFAF97R57 GF97R57 GFF97R57	4P	10.2		222	130.07	7.2	1.65	GFF47			10.9	207	121.57	7.3	1.80	GFA47	12.7	179	105.09	7.4	2.10	GFAF47		14.9	152	89.29	7.6	2.40			GF47	4P	0.29	10931	4559	86	1.15	GFA87R57 GFAF87R57 GF87R57 GFF87R57	4P	10		219	128.51	3.5	0.85	GFF47			11	201	117.88	3.8	0.90	GFA77R37	13	171	100.36	4.3	1.10	GFAF77R37		15	148	86.53	4.6	1.25			GF77R37	6P	0.34	9294	3876	86	1.35	GFA77R37 GFAF77R37 GF77R37 GFF77R37	4P	16		138	80.65	4.7	1.35	GF77R37			19	120	70.50	4.8	1.55	GFF77R37	20	113	66.09	4.9	1.65	GFA37		23	99	58.32	4.9	1.85			GFAF37	4P	0.39	8176	3410	86	1.55	GFA37 GFAF37 GF37 GFF37	4P	24		93	54.54	5.0	2.00	GF37			26	88	51.70	5.0	2.10	GFF37																																																																																																																
3.0	752	281.71	18	1.95	GFAF77		3.2	702	262.93	18	2.10			GF77	6P	179	13	7.44	3.4	11	GFA37 GFAF37 GF37 GFF37	4P	3.8		602	225.79	19	2.50	GFF77			4.3		529	198.31	19	2.80	GFA67			4.5	503	188.40	19	2.90	GFAF67	3.7	611	228.99	11	1.30	GF67	6P	197	11	6.74	3.3	11	GFA37 GFAF37 GF37 GFF37	4P	4.4		521	195.39	12	1.55	GFF67			5.0		456	170.85	12	1.75	GFA67			5.2	433	162.31	12	1.85	GFAF67	6.0	380	142.40	12	2.10	GFF67	4P	220	10	6.05	3.2	12	GFA127R77 GFAF127R77 GF127R77 GFF127R77	4P	5.8		391	228.99	12	1.95	GFA67			6.8		333	195.39	12	2.30	GFAF67			7.8	291	170.85	12	2.60	GF67	8.2	277	162.31	12	2.80	GFF67	6P	255	9	5.21	3.1	13	GFA107R77 GFAF107R77 GF107R77 GFF107R77	4P	9.3		243	142.40	12	3.10	GFA57			4.3		533	199.70	9.1	1.10	GFAF57			4.6	490	183.60	9.4	1.20	GF57	5.4	419	157.09	10	1.40	GFF57	6P	271	8	4.90	3.0	13	GFA97R57 GFAF97R57 GF97R57 GFF97R57	4P	6.2		363	136.16	10	1.60	GFA57			6.7		340	127.27	10	1.75	GFAF57			7.7	294	110.01	11	2.00	GF57	6.7	341	199.70	10	1.65	GFF57	4P	315	7	4.22	2.9	14	GFA87R57 GFAF87R57 GF87R57 GFF87R57	4P	7.2		313	183.60	10	1.80	GFA57			8.5		268	157.09	11	2.10	GFAF57			9.8	232	136.16	11	2.40	GF57	10	217	127.27	11	2.60	GFF57	6P	0.20	16237	6772	81	0.80	GFA127R77 GFAF127R77 GF127R77 GFF127R77	4P	12		188	110.01	11	3.00	GFA47			5.7		400	150.06	5.5	1.00	GFAF47			6.5	347	130.07	6.2	1.15	GF47	7.0	324	121.57	6.4	1.20	GFF47	4P	0.22	14283	5957	84	0.85	GFA107R77 GFAF107R77 GF107R77 GFF107R77	4P	8.1		280	105.09	6.8	1.40	GFA47			7.0		325	190.76	6.2	1.15	GFA47			7.6	299	175.38	6.5	1.25	GFAF47	8.9	256	150.06	6.9	1.45	GF47	6P	0.26	12427	5183	86	1.00	GFA97R57 GFAF97R57 GF97R57 GFF97R57	4P	10.2		222	130.07	7.2	1.65	GFF47			10.9		207	121.57	7.3	1.80	GFA47			12.7	179	105.09	7.4	2.10	GFAF47	14.9	152	89.29	7.6	2.40	GF47	4P	0.29	10931	4559	86	1.15	GFA87R57 GFAF87R57 GF87R57 GFF87R57	4P	10		219	128.51	3.5	0.85	GFF47			11		201	117.88	3.8	0.90	GFA77R37			13	171	100.36	4.3	1.10	GFAF77R37	15	148	86.53	4.6	1.25	GF77R37	6P	0.34	9294	3876	86	1.35	GFA77R37 GFAF77R37 GF77R37 GFF77R37	4P	16		138	80.65	4.7	1.35	GF77R37			19		120	70.50	4.8	1.55	GFF77R37			20	113	66.09	4.9	1.65	GFA37	23	99	58.32	4.9	1.85	GFAF37	4P	0.39	8176	3410	86	1.55	GFA37 GFAF37 GF37 GFF37	4P	24		93	54.54	5.0	2.00	GF37			26		88	51.70	5.0	2.10	GFF37																																																																																																																								
3.2	702	262.93	18	2.10	GF77	6P	179	13	7.44	3.4	11	GFA37 GFAF37 GF37 GFF37	4P																																																																																																																																																																																																																																																																																																																																																																																																																																																																																																																																																																																			
3.8	602	225.79	19	2.50	GFF77		4.3	529	198.31	19	2.80			GFA67		4.5	503	188.40	19	2.90			GFAF67		3.7	611	228.99	11	1.30			GF67	6P	197	11	6.74	3.3	11	GFA37 GFAF37 GF37 GFF37	4P	4.4	521	195.39	12	1.55	GFF67	5.0	456	170.85	12	1.75	GFA67		5.2	433	162.31	12	1.85			GFAF67		6.0	380	142.40	12	2.10			GFF67	4P	220	10	6.05	3.2	12	GFA127R77 GFAF127R77 GF127R77 GFF127R77	4P	5.8	391	228.99	12	1.95	GFA67	6.8	333	195.39	12	2.30	GFAF67		7.8	291	170.85	12	2.60			GF67		8.2	277	162.31	12	2.80			GFF67	6P	255	9	5.21	3.1	13	GFA107R77 GFAF107R77 GF107R77 GFF107R77	4P	9.3	243	142.40	12	3.10	GFA57	4.3	533	199.70	9.1	1.10	GFAF57		4.6	490	183.60	9.4	1.20			GF57		5.4	419	157.09	10	1.40			GFF57	6P	271	8	4.90	3.0	13	GFA97R57 GFAF97R57 GF97R57 GFF97R57	4P	6.2	363	136.16	10	1.60	GFA57	6.7	340	127.27	10	1.75	GFAF57		7.7	294	110.01	11	2.00			GF57		6.7	341	199.70	10	1.65			GFF57	4P	315	7	4.22	2.9	14	GFA87R57 GFAF87R57 GF87R57 GFF87R57	4P	7.2	313	183.60	10	1.80	GFA57	8.5	268	157.09	11	2.10	GFAF57		9.8	232	136.16	11	2.40			GF57		10	217	127.27	11	2.60			GFF57	6P	0.20	16237	6772	81	0.80	GFA127R77 GFAF127R77 GF127R77 GFF127R77	4P	12	188	110.01	11	3.00	GFA47	5.7	400	150.06	5.5	1.00	GFAF47		6.5	347	130.07	6.2	1.15			GF47		7.0	324	121.57	6.4	1.20			GFF47	4P	0.22	14283	5957	84	0.85	GFA107R77 GFAF107R77 GF107R77 GFF107R77	4P	8.1	280	105.09	6.8	1.40	GFA47	7.0	325	190.76	6.2	1.15	GFA47		7.6	299	175.38	6.5	1.25			GFAF47		8.9	256	150.06	6.9	1.45			GF47	6P	0.26	12427	5183	86	1.00	GFA97R57 GFAF97R57 GF97R57 GFF97R57	4P	10.2	222	130.07	7.2	1.65	GFF47	10.9	207	121.57	7.3	1.80	GFA47		12.7	179	105.09	7.4	2.10			GFAF47		14.9	152	89.29	7.6	2.40			GF47	4P	0.29	10931	4559	86	1.15	GFA87R57 GFAF87R57 GF87R57 GFF87R57	4P	10	219	128.51	3.5	0.85	GFF47	11	201	117.88	3.8	0.90	GFA77R37		13	171	100.36	4.3	1.10			GFAF77R37		15	148	86.53	4.6	1.25			GF77R37	6P	0.34	9294	3876	86	1.35	GFA77R37 GFAF77R37 GF77R37 GFF77R37	4P	16	138	80.65	4.7	1.35	GF77R37	19	120	70.50	4.8	1.55	GFF77R37		20	113	66.09	4.9	1.65			GFA37		23	99	58.32	4.9	1.85			GFAF37	4P	0.39	8176	3410	86	1.55	GFA37 GFAF37 GF37 GFF37	4P	24	93	54.54	5.0	2.00	GF37	26	88	51.70	5.0	2.10	GFF37																																																																																																																																																
4.3	529	198.31	19	2.80	GFA67		4.5	503	188.40	19	2.90			GFAF67		3.7	611	228.99	11	1.30			GF67	6P	197	11	6.74	3.3	11	GFA37 GFAF37 GF37 GFF37	4P	4.4		521	195.39	12	1.55	GFF67			5.0	456	170.85	12	1.75	GFA67	5.2	433	162.31	12	1.85	GFAF67		6.0	380	142.40	12	2.10			GFF67	4P	220	10	6.05	3.2	12	GFA127R77 GFAF127R77 GF127R77 GFF127R77	4P	5.8		391	228.99	12	1.95	GFA67			6.8	333	195.39	12	2.30	GFAF67	7.8	291	170.85	12	2.60	GF67		8.2	277	162.31	12	2.80			GFF67	6P	255	9	5.21	3.1	13	GFA107R77 GFAF107R77 GF107R77 GFF107R77	4P	9.3		243	142.40	12	3.10	GFA57			4.3	533	199.70	9.1	1.10	GFAF57	4.6	490	183.60	9.4	1.20	GF57		5.4	419	157.09	10	1.40			GFF57	6P	271	8	4.90	3.0	13	GFA97R57 GFAF97R57 GF97R57 GFF97R57	4P	6.2		363	136.16	10	1.60	GFA57			6.7	340	127.27	10	1.75	GFAF57	7.7	294	110.01	11	2.00	GF57		6.7	341	199.70	10	1.65			GFF57	4P	315	7	4.22	2.9	14	GFA87R57 GFAF87R57 GF87R57 GFF87R57	4P	7.2		313	183.60	10	1.80	GFA57			8.5	268	157.09	11	2.10	GFAF57	9.8	232	136.16	11	2.40	GF57		10	217	127.27	11	2.60			GFF57	6P	0.20	16237	6772	81	0.80	GFA127R77 GFAF127R77 GF127R77 GFF127R77	4P	12		188	110.01	11	3.00	GFA47			5.7	400	150.06	5.5	1.00	GFAF47	6.5	347	130.07	6.2	1.15	GF47		7.0	324	121.57	6.4	1.20			GFF47	4P	0.22	14283	5957	84	0.85	GFA107R77 GFAF107R77 GF107R77 GFF107R77	4P	8.1		280	105.09	6.8	1.40	GFA47			7.0	325	190.76	6.2	1.15	GFA47	7.6	299	175.38	6.5	1.25	GFAF47		8.9	256	150.06	6.9	1.45			GF47	6P	0.26	12427	5183	86	1.00	GFA97R57 GFAF97R57 GF97R57 GFF97R57	4P	10.2		222	130.07	7.2	1.65	GFF47			10.9	207	121.57	7.3	1.80	GFA47	12.7	179	105.09	7.4	2.10	GFAF47		14.9	152	89.29	7.6	2.40			GF47	4P	0.29	10931	4559	86	1.15	GFA87R57 GFAF87R57 GF87R57 GFF87R57	4P	10		219	128.51	3.5	0.85	GFF47			11	201	117.88	3.8	0.90	GFA77R37	13	171	100.36	4.3	1.10	GFAF77R37		15	148	86.53	4.6	1.25			GF77R37	6P	0.34	9294	3876	86	1.35	GFA77R37 GFAF77R37 GF77R37 GFF77R37	4P	16		138	80.65	4.7	1.35	GF77R37			19	120	70.50	4.8	1.55	GFF77R37	20	113	66.09	4.9	1.65	GFA37		23	99	58.32	4.9	1.85			GFAF37	4P	0.39	8176	3410	86	1.55	GFA37 GFAF37 GF37 GFF37	4P	24		93	54.54	5.0	2.00	GF37			26	88	51.70	5.0	2.10	GFF37																																																																																																																																																						
4.5	503	188.40	19	2.90	GFAF67		3.7	611	228.99	11	1.30			GF67	6P	197	11	6.74	3.3	11	GFA37 GFAF37 GF37 GFF37	4P	4.4		521	195.39	12	1.55	GFF67			5.0		456	170.85	12	1.75	GFA67			5.2	433	162.31	12	1.85	GFAF67	6.0	380	142.40	12	2.10	GFF67	4P	220	10	6.05	3.2	12	GFA127R77 GFAF127R77 GF127R77 GFF127R77	4P	5.8		391	228.99	12	1.95	GFA67			6.8		333	195.39	12	2.30	GFAF67			7.8	291	170.85	12	2.60	GF67	8.2	277	162.31	12	2.80	GFF67	6P	255	9	5.21	3.1	13	GFA107R77 GFAF107R77 GF107R77 GFF107R77	4P	9.3		243	142.40	12	3.10	GFA57			4.3		533	199.70	9.1	1.10	GFAF57			4.6	490	183.60	9.4	1.20	GF57	5.4	419	157.09	10	1.40	GFF57	6P	271	8	4.90	3.0	13	GFA97R57 GFAF97R57 GF97R57 GFF97R57	4P	6.2		363	136.16	10	1.60	GFA57			6.7		340	127.27	10	1.75	GFAF57			7.7	294	110.01	11	2.00	GF57	6.7	341	199.70	10	1.65	GFF57	4P	315	7	4.22	2.9	14	GFA87R57 GFAF87R57 GF87R57 GFF87R57	4P	7.2		313	183.60	10	1.80	GFA57			8.5		268	157.09	11	2.10	GFAF57			9.8	232	136.16	11	2.40	GF57	10	217	127.27	11	2.60	GFF57	6P	0.20	16237	6772	81	0.80	GFA127R77 GFAF127R77 GF127R77 GFF127R77	4P	12		188	110.01	11	3.00	GFA47			5.7		400	150.06	5.5	1.00	GFAF47			6.5	347	130.07	6.2	1.15	GF47	7.0	324	121.57	6.4	1.20	GFF47	4P	0.22	14283	5957	84	0.85	GFA107R77 GFAF107R77 GF107R77 GFF107R77	4P	8.1		280	105.09	6.8	1.40	GFA47			7.0		325	190.76	6.2	1.15	GFA47			7.6	299	175.38	6.5	1.25	GFAF47	8.9	256	150.06	6.9	1.45	GF47	6P	0.26	12427	5183	86	1.00	GFA97R57 GFAF97R57 GF97R57 GFF97R57	4P	10.2		222	130.07	7.2	1.65	GFF47			10.9		207	121.57	7.3	1.80	GFA47			12.7	179	105.09	7.4	2.10	GFAF47	14.9	152	89.29	7.6	2.40	GF47	4P	0.29	10931	4559	86	1.15	GFA87R57 GFAF87R57 GF87R57 GFF87R57	4P	10		219	128.51	3.5	0.85	GFF47			11		201	117.88	3.8	0.90	GFA77R37			13	171	100.36	4.3	1.10	GFAF77R37	15	148	86.53	4.6	1.25	GF77R37	6P	0.34	9294	3876	86	1.35	GFA77R37 GFAF77R37 GF77R37 GFF77R37	4P	16		138	80.65	4.7	1.35	GF77R37			19		120	70.50	4.8	1.55	GFF77R37			20	113	66.09	4.9	1.65	GFA37	23	99	58.32	4.9	1.85	GFAF37	4P	0.39	8176	3410	86	1.55	GFA37 GFAF37 GF37 GFF37	4P	24		93	54.54	5.0	2.00	GF37			26		88	51.70	5.0	2.10	GFF37																																																																																																																																																														
3.7	611	228.99	11	1.30	GF67	6P	197	11	6.74	3.3	11	GFA37 GFAF37 GF37 GFF37	4P																																																																																																																																																																																																																																																																																																																																																																																																																																																																																																																																																																																			
4.4	521	195.39	12	1.55	GFF67		5.0	456	170.85	12	1.75			GFA67		5.2	433	162.31	12	1.85			GFAF67		6.0	380	142.40	12	2.10			GFF67	4P	220	10	6.05	3.2	12	GFA127R77 GFAF127R77 GF127R77 GFF127R77	4P	5.8	391	228.99	12	1.95	GFA67	6.8	333	195.39	12	2.30	GFAF67		7.8	291	170.85	12	2.60			GF67		8.2	277	162.31	12	2.80			GFF67	6P	255	9	5.21	3.1	13	GFA107R77 GFAF107R77 GF107R77 GFF107R77	4P	9.3	243	142.40	12	3.10	GFA57	4.3	533	199.70	9.1	1.10	GFAF57		4.6	490	183.60	9.4	1.20			GF57		5.4	419	157.09	10	1.40			GFF57	6P	271	8	4.90	3.0	13	GFA97R57 GFAF97R57 GF97R57 GFF97R57	4P	6.2	363	136.16	10	1.60	GFA57	6.7	340	127.27	10	1.75	GFAF57		7.7	294	110.01	11	2.00			GF57		6.7	341	199.70	10	1.65			GFF57	4P	315	7	4.22	2.9	14	GFA87R57 GFAF87R57 GF87R57 GFF87R57	4P	7.2	313	183.60	10	1.80	GFA57	8.5	268	157.09	11	2.10	GFAF57		9.8	232	136.16	11	2.40			GF57		10	217	127.27	11	2.60			GFF57	6P	0.20	16237	6772	81	0.80	GFA127R77 GFAF127R77 GF127R77 GFF127R77	4P	12	188	110.01	11	3.00	GFA47	5.7	400	150.06	5.5	1.00	GFAF47		6.5	347	130.07	6.2	1.15			GF47		7.0	324	121.57	6.4	1.20			GFF47	4P	0.22	14283	5957	84	0.85	GFA107R77 GFAF107R77 GF107R77 GFF107R77	4P	8.1	280	105.09	6.8	1.40	GFA47	7.0	325	190.76	6.2	1.15	GFA47		7.6	299	175.38	6.5	1.25			GFAF47		8.9	256	150.06	6.9	1.45			GF47	6P	0.26	12427	5183	86	1.00	GFA97R57 GFAF97R57 GF97R57 GFF97R57	4P	10.2	222	130.07	7.2	1.65	GFF47	10.9	207	121.57	7.3	1.80	GFA47		12.7	179	105.09	7.4	2.10			GFAF47		14.9	152	89.29	7.6	2.40			GF47	4P	0.29	10931	4559	86	1.15	GFA87R57 GFAF87R57 GF87R57 GFF87R57	4P	10	219	128.51	3.5	0.85	GFF47	11	201	117.88	3.8	0.90	GFA77R37		13	171	100.36	4.3	1.10			GFAF77R37		15	148	86.53	4.6	1.25			GF77R37	6P	0.34	9294	3876	86	1.35	GFA77R37 GFAF77R37 GF77R37 GFF77R37	4P	16	138	80.65	4.7	1.35	GF77R37	19	120	70.50	4.8	1.55	GFF77R37		20	113	66.09	4.9	1.65			GFA37		23	99	58.32	4.9	1.85			GFAF37	4P	0.39	8176	3410	86	1.55	GFA37 GFAF37 GF37 GFF37	4P	24	93	54.54	5.0	2.00	GF37	26	88	51.70	5.0	2.10	GFF37																																																																																																																																																																																						
5.0	456	170.85	12	1.75	GFA67		5.2	433	162.31	12	1.85			GFAF67		6.0	380	142.40	12	2.10			GFF67	4P	220	10	6.05	3.2	12	GFA127R77 GFAF127R77 GF127R77 GFF127R77	4P	5.8		391	228.99	12	1.95	GFA67			6.8	333	195.39	12	2.30	GFAF67	7.8	291	170.85	12	2.60	GF67		8.2	277	162.31	12	2.80			GFF67	6P	255	9	5.21	3.1	13	GFA107R77 GFAF107R77 GF107R77 GFF107R77	4P	9.3		243	142.40	12	3.10	GFA57			4.3	533	199.70	9.1	1.10	GFAF57	4.6	490	183.60	9.4	1.20	GF57		5.4	419	157.09	10	1.40			GFF57	6P	271	8	4.90	3.0	13	GFA97R57 GFAF97R57 GF97R57 GFF97R57	4P	6.2		363	136.16	10	1.60	GFA57			6.7	340	127.27	10	1.75	GFAF57	7.7	294	110.01	11	2.00	GF57		6.7	341	199.70	10	1.65			GFF57	4P	315	7	4.22	2.9	14	GFA87R57 GFAF87R57 GF87R57 GFF87R57	4P	7.2		313	183.60	10	1.80	GFA57			8.5	268	157.09	11	2.10	GFAF57	9.8	232	136.16	11	2.40	GF57		10	217	127.27	11	2.60			GFF57	6P	0.20	16237	6772	81	0.80	GFA127R77 GFAF127R77 GF127R77 GFF127R77	4P	12		188	110.01	11	3.00	GFA47			5.7	400	150.06	5.5	1.00	GFAF47	6.5	347	130.07	6.2	1.15	GF47		7.0	324	121.57	6.4	1.20			GFF47	4P	0.22	14283	5957	84	0.85	GFA107R77 GFAF107R77 GF107R77 GFF107R77	4P	8.1		280	105.09	6.8	1.40	GFA47			7.0	325	190.76	6.2	1.15	GFA47	7.6	299	175.38	6.5	1.25	GFAF47		8.9	256	150.06	6.9	1.45			GF47	6P	0.26	12427	5183	86	1.00	GFA97R57 GFAF97R57 GF97R57 GFF97R57	4P	10.2		222	130.07	7.2	1.65	GFF47			10.9	207	121.57	7.3	1.80	GFA47	12.7	179	105.09	7.4	2.10	GFAF47		14.9	152	89.29	7.6	2.40			GF47	4P	0.29	10931	4559	86	1.15	GFA87R57 GFAF87R57 GF87R57 GFF87R57	4P	10		219	128.51	3.5	0.85	GFF47			11	201	117.88	3.8	0.90	GFA77R37	13	171	100.36	4.3	1.10	GFAF77R37		15	148	86.53	4.6	1.25			GF77R37	6P	0.34	9294	3876	86	1.35	GFA77R37 GFAF77R37 GF77R37 GFF77R37	4P	16		138	80.65	4.7	1.35	GF77R37			19	120	70.50	4.8	1.55	GFF77R37	20	113	66.09	4.9	1.65	GFA37		23	99	58.32	4.9	1.85			GFAF37	4P	0.39	8176	3410	86	1.55	GFA37 GFAF37 GF37 GFF37	4P	24		93	54.54	5.0	2.00	GF37			26	88	51.70	5.0	2.10	GFF37																																																																																																																																																																																												
5.2	433	162.31	12	1.85	GFAF67		6.0	380	142.40	12	2.10			GFF67	4P	220	10	6.05	3.2	12	GFA127R77 GFAF127R77 GF127R77 GFF127R77	4P	5.8		391	228.99	12	1.95	GFA67			6.8		333	195.39	12	2.30	GFAF67			7.8	291	170.85	12	2.60	GF67	8.2	277	162.31	12	2.80	GFF67	6P	255	9	5.21	3.1	13	GFA107R77 GFAF107R77 GF107R77 GFF107R77	4P	9.3		243	142.40	12	3.10	GFA57			4.3		533	199.70	9.1	1.10	GFAF57			4.6	490	183.60	9.4	1.20	GF57	5.4	419	157.09	10	1.40	GFF57	6P	271	8	4.90	3.0	13	GFA97R57 GFAF97R57 GF97R57 GFF97R57	4P	6.2		363	136.16	10	1.60	GFA57			6.7		340	127.27	10	1.75	GFAF57			7.7	294	110.01	11	2.00	GF57	6.7	341	199.70	10	1.65	GFF57	4P	315	7	4.22	2.9	14	GFA87R57 GFAF87R57 GF87R57 GFF87R57	4P	7.2		313	183.60	10	1.80	GFA57			8.5		268	157.09	11	2.10	GFAF57			9.8	232	136.16	11	2.40	GF57	10	217	127.27	11	2.60	GFF57	6P	0.20	16237	6772	81	0.80	GFA127R77 GFAF127R77 GF127R77 GFF127R77	4P	12		188	110.01	11	3.00	GFA47			5.7		400	150.06	5.5	1.00	GFAF47			6.5	347	130.07	6.2	1.15	GF47	7.0	324	121.57	6.4	1.20	GFF47	4P	0.22	14283	5957	84	0.85	GFA107R77 GFAF107R77 GF107R77 GFF107R77	4P	8.1		280	105.09	6.8	1.40	GFA47			7.0		325	190.76	6.2	1.15	GFA47			7.6	299	175.38	6.5	1.25	GFAF47	8.9	256	150.06	6.9	1.45	GF47	6P	0.26	12427	5183	86	1.00	GFA97R57 GFAF97R57 GF97R57 GFF97R57	4P	10.2		222	130.07	7.2	1.65	GFF47			10.9		207	121.57	7.3	1.80	GFA47			12.7	179	105.09	7.4	2.10	GFAF47	14.9	152	89.29	7.6	2.40	GF47	4P	0.29	10931	4559	86	1.15	GFA87R57 GFAF87R57 GF87R57 GFF87R57	4P	10		219	128.51	3.5	0.85	GFF47			11		201	117.88	3.8	0.90	GFA77R37			13	171	100.36	4.3	1.10	GFAF77R37	15	148	86.53	4.6	1.25	GF77R37	6P	0.34	9294	3876	86	1.35	GFA77R37 GFAF77R37 GF77R37 GFF77R37	4P	16		138	80.65	4.7	1.35	GF77R37			19		120	70.50	4.8	1.55	GFF77R37			20	113	66.09	4.9	1.65	GFA37	23	99	58.32	4.9	1.85	GFAF37	4P	0.39	8176	3410	86	1.55	GFA37 GFAF37 GF37 GFF37	4P	24		93	54.54	5.0	2.00	GF37			26		88	51.70	5.0	2.10	GFF37																																																																																																																																																																																																				
6.0	380	142.40	12	2.10	GFF67	4P	220	10	6.05	3.2	12	GFA127R77 GFAF127R77 GF127R77 GFF127R77	4P																																																																																																																																																																																																																																																																																																																																																																																																																																																																																																																																																																																			
5.8	391	228.99	12	1.95	GFA67		6.8	333	195.39	12	2.30			GFAF67		7.8	291	170.85	12	2.60			GF67		8.2	277	162.31	12	2.80			GFF67	6P	255	9	5.21	3.1	13	GFA107R77 GFAF107R77 GF107R77 GFF107R77	4P	9.3	243	142.40	12	3.10	GFA57	4.3	533	199.70	9.1	1.10	GFAF57		4.6	490	183.60	9.4	1.20			GF57		5.4	419	157.09	10	1.40			GFF57	6P	271	8	4.90	3.0	13	GFA97R57 GFAF97R57 GF97R57 GFF97R57	4P	6.2	363	136.16	10	1.60	GFA57	6.7	340	127.27	10	1.75	GFAF57		7.7	294	110.01	11	2.00			GF57		6.7	341	199.70	10	1.65			GFF57	4P	315	7	4.22	2.9	14	GFA87R57 GFAF87R57 GF87R57 GFF87R57	4P	7.2	313	183.60	10	1.80	GFA57	8.5	268	157.09	11	2.10	GFAF57		9.8	232	136.16	11	2.40			GF57		10	217	127.27	11	2.60			GFF57	6P	0.20	16237	6772	81	0.80	GFA127R77 GFAF127R77 GF127R77 GFF127R77	4P	12	188	110.01	11	3.00	GFA47	5.7	400	150.06	5.5	1.00	GFAF47		6.5	347	130.07	6.2	1.15			GF47		7.0	324	121.57	6.4	1.20			GFF47	4P	0.22	14283	5957	84	0.85	GFA107R77 GFAF107R77 GF107R77 GFF107R77	4P	8.1	280	105.09	6.8	1.40	GFA47	7.0	325	190.76	6.2	1.15	GFA47		7.6	299	175.38	6.5	1.25			GFAF47		8.9	256	150.06	6.9	1.45			GF47	6P	0.26	12427	5183	86	1.00	GFA97R57 GFAF97R57 GF97R57 GFF97R57	4P	10.2	222	130.07	7.2	1.65	GFF47	10.9	207	121.57	7.3	1.80	GFA47		12.7	179	105.09	7.4	2.10			GFAF47		14.9	152	89.29	7.6	2.40			GF47	4P	0.29	10931	4559	86	1.15	GFA87R57 GFAF87R57 GF87R57 GFF87R57	4P	10	219	128.51	3.5	0.85	GFF47	11	201	117.88	3.8	0.90	GFA77R37		13	171	100.36	4.3	1.10			GFAF77R37		15	148	86.53	4.6	1.25			GF77R37	6P	0.34	9294	3876	86	1.35	GFA77R37 GFAF77R37 GF77R37 GFF77R37	4P	16	138	80.65	4.7	1.35	GF77R37	19	120	70.50	4.8	1.55	GFF77R37		20	113	66.09	4.9	1.65			GFA37		23	99	58.32	4.9	1.85			GFAF37	4P	0.39	8176	3410	86	1.55	GFA37 GFAF37 GF37 GFF37	4P	24	93	54.54	5.0	2.00	GF37	26	88	51.70	5.0	2.10	GFF37																																																																																																																																																																																																																												
6.8	333	195.39	12	2.30	GFAF67		7.8	291	170.85	12	2.60			GF67		8.2	277	162.31	12	2.80			GFF67	6P	255	9	5.21	3.1	13	GFA107R77 GFAF107R77 GF107R77 GFF107R77	4P	9.3		243	142.40	12	3.10	GFA57			4.3	533	199.70	9.1	1.10	GFAF57	4.6	490	183.60	9.4	1.20	GF57		5.4	419	157.09	10	1.40			GFF57	6P	271	8	4.90	3.0	13	GFA97R57 GFAF97R57 GF97R57 GFF97R57	4P	6.2		363	136.16	10	1.60	GFA57			6.7	340	127.27	10	1.75	GFAF57	7.7	294	110.01	11	2.00	GF57		6.7	341	199.70	10	1.65			GFF57	4P	315	7	4.22	2.9	14	GFA87R57 GFAF87R57 GF87R57 GFF87R57	4P	7.2		313	183.60	10	1.80	GFA57			8.5	268	157.09	11	2.10	GFAF57	9.8	232	136.16	11	2.40	GF57		10	217	127.27	11	2.60			GFF57	6P	0.20	16237	6772	81	0.80	GFA127R77 GFAF127R77 GF127R77 GFF127R77	4P	12		188	110.01	11	3.00	GFA47			5.7	400	150.06	5.5	1.00	GFAF47	6.5	347	130.07	6.2	1.15	GF47		7.0	324	121.57	6.4	1.20			GFF47	4P	0.22	14283	5957	84	0.85	GFA107R77 GFAF107R77 GF107R77 GFF107R77	4P	8.1		280	105.09	6.8	1.40	GFA47			7.0	325	190.76	6.2	1.15	GFA47	7.6	299	175.38	6.5	1.25	GFAF47		8.9	256	150.06	6.9	1.45			GF47	6P	0.26	12427	5183	86	1.00	GFA97R57 GFAF97R57 GF97R57 GFF97R57	4P	10.2		222	130.07	7.2	1.65	GFF47			10.9	207	121.57	7.3	1.80	GFA47	12.7	179	105.09	7.4	2.10	GFAF47		14.9	152	89.29	7.6	2.40			GF47	4P	0.29	10931	4559	86	1.15	GFA87R57 GFAF87R57 GF87R57 GFF87R57	4P	10		219	128.51	3.5	0.85	GFF47			11	201	117.88	3.8	0.90	GFA77R37	13	171	100.36	4.3	1.10	GFAF77R37		15	148	86.53	4.6	1.25			GF77R37	6P	0.34	9294	3876	86	1.35	GFA77R37 GFAF77R37 GF77R37 GFF77R37	4P	16		138	80.65	4.7	1.35	GF77R37			19	120	70.50	4.8	1.55	GFF77R37	20	113	66.09	4.9	1.65	GFA37		23	99	58.32	4.9	1.85			GFAF37	4P	0.39	8176	3410	86	1.55	GFA37 GFAF37 GF37 GFF37	4P	24		93	54.54	5.0	2.00	GF37			26	88	51.70	5.0	2.10	GFF37																																																																																																																																																																																																																																		
7.8	291	170.85	12	2.60	GF67		8.2	277	162.31	12	2.80			GFF67	6P	255	9	5.21	3.1	13	GFA107R77 GFAF107R77 GF107R77 GFF107R77	4P	9.3		243	142.40	12	3.10	GFA57			4.3		533	199.70	9.1	1.10	GFAF57			4.6	490	183.60	9.4	1.20	GF57	5.4	419	157.09	10	1.40	GFF57	6P	271	8	4.90	3.0	13	GFA97R57 GFAF97R57 GF97R57 GFF97R57	4P	6.2		363	136.16	10	1.60	GFA57			6.7		340	127.27	10	1.75	GFAF57			7.7	294	110.01	11	2.00	GF57	6.7	341	199.70	10	1.65	GFF57	4P	315	7	4.22	2.9	14	GFA87R57 GFAF87R57 GF87R57 GFF87R57	4P	7.2		313	183.60	10	1.80	GFA57			8.5		268	157.09	11	2.10	GFAF57			9.8	232	136.16	11	2.40	GF57	10	217	127.27	11	2.60	GFF57	6P	0.20	16237	6772	81	0.80	GFA127R77 GFAF127R77 GF127R77 GFF127R77	4P	12		188	110.01	11	3.00	GFA47			5.7		400	150.06	5.5	1.00	GFAF47			6.5	347	130.07	6.2	1.15	GF47	7.0	324	121.57	6.4	1.20	GFF47	4P	0.22	14283	5957	84	0.85	GFA107R77 GFAF107R77 GF107R77 GFF107R77	4P	8.1		280	105.09	6.8	1.40	GFA47			7.0		325	190.76	6.2	1.15	GFA47			7.6	299	175.38	6.5	1.25	GFAF47	8.9	256	150.06	6.9	1.45	GF47	6P	0.26	12427	5183	86	1.00	GFA97R57 GFAF97R57 GF97R57 GFF97R57	4P	10.2		222	130.07	7.2	1.65	GFF47			10.9		207	121.57	7.3	1.80	GFA47			12.7	179	105.09	7.4	2.10	GFAF47	14.9	152	89.29	7.6	2.40	GF47	4P	0.29	10931	4559	86	1.15	GFA87R57 GFAF87R57 GF87R57 GFF87R57	4P	10		219	128.51	3.5	0.85	GFF47			11		201	117.88	3.8	0.90	GFA77R37			13	171	100.36	4.3	1.10	GFAF77R37	15	148	86.53	4.6	1.25	GF77R37	6P	0.34	9294	3876	86	1.35	GFA77R37 GFAF77R37 GF77R37 GFF77R37	4P	16		138	80.65	4.7	1.35	GF77R37			19		120	70.50	4.8	1.55	GFF77R37			20	113	66.09	4.9	1.65	GFA37	23	99	58.32	4.9	1.85	GFAF37	4P	0.39	8176	3410	86	1.55	GFA37 GFAF37 GF37 GFF37	4P	24		93	54.54	5.0	2.00	GF37			26		88	51.70	5.0	2.10	GFF37																																																																																																																																																																																																																																										
8.2	277	162.31	12	2.80	GFF67	6P	255	9	5.21	3.1	13	GFA107R77 GFAF107R77 GF107R77 GFF107R77	4P																																																																																																																																																																																																																																																																																																																																																																																																																																																																																																																																																																																			
9.3	243	142.40	12	3.10	GFA57		4.3	533	199.70	9.1	1.10			GFAF57		4.6	490	183.60	9.4	1.20			GF57		5.4	419	157.09	10	1.40			GFF57	6P	271	8	4.90	3.0	13	GFA97R57 GFAF97R57 GF97R57 GFF97R57	4P	6.2	363	136.16	10	1.60	GFA57	6.7	340	127.27	10	1.75	GFAF57		7.7	294	110.01	11	2.00			GF57		6.7	341	199.70	10	1.65			GFF57	4P	315	7	4.22	2.9	14	GFA87R57 GFAF87R57 GF87R57 GFF87R57	4P	7.2	313	183.60	10	1.80	GFA57	8.5	268	157.09	11	2.10	GFAF57		9.8	232	136.16	11	2.40			GF57		10	217	127.27	11	2.60			GFF57	6P	0.20	16237	6772	81	0.80	GFA127R77 GFAF127R77 GF127R77 GFF127R77	4P	12	188	110.01	11	3.00	GFA47	5.7	400	150.06	5.5	1.00	GFAF47		6.5	347	130.07	6.2	1.15			GF47		7.0	324	121.57	6.4	1.20			GFF47	4P	0.22	14283	5957	84	0.85	GFA107R77 GFAF107R77 GF107R77 GFF107R77	4P	8.1	280	105.09	6.8	1.40	GFA47	7.0	325	190.76	6.2	1.15	GFA47		7.6	299	175.38	6.5	1.25			GFAF47		8.9	256	150.06	6.9	1.45			GF47	6P	0.26	12427	5183	86	1.00	GFA97R57 GFAF97R57 GF97R57 GFF97R57	4P	10.2	222	130.07	7.2	1.65	GFF47	10.9	207	121.57	7.3	1.80	GFA47		12.7	179	105.09	7.4	2.10			GFAF47		14.9	152	89.29	7.6	2.40			GF47	4P	0.29	10931	4559	86	1.15	GFA87R57 GFAF87R57 GF87R57 GFF87R57	4P	10	219	128.51	3.5	0.85	GFF47	11	201	117.88	3.8	0.90	GFA77R37		13	171	100.36	4.3	1.10			GFAF77R37		15	148	86.53	4.6	1.25			GF77R37	6P	0.34	9294	3876	86	1.35	GFA77R37 GFAF77R37 GF77R37 GFF77R37	4P	16	138	80.65	4.7	1.35	GF77R37	19	120	70.50	4.8	1.55	GFF77R37		20	113	66.09	4.9	1.65			GFA37		23	99	58.32	4.9	1.85			GFAF37	4P	0.39	8176	3410	86	1.55	GFA37 GFAF37 GF37 GFF37	4P	24	93	54.54	5.0	2.00	GF37	26	88	51.70	5.0	2.10	GFF37																																																																																																																																																																																																																																																																		
4.3	533	199.70	9.1	1.10	GFAF57		4.6	490	183.60	9.4	1.20			GF57		5.4	419	157.09	10	1.40			GFF57	6P	271	8	4.90	3.0	13	GFA97R57 GFAF97R57 GF97R57 GFF97R57	4P	6.2		363	136.16	10	1.60	GFA57			6.7	340	127.27	10	1.75	GFAF57	7.7	294	110.01	11	2.00	GF57		6.7	341	199.70	10	1.65			GFF57	4P	315	7	4.22	2.9	14	GFA87R57 GFAF87R57 GF87R57 GFF87R57	4P	7.2		313	183.60	10	1.80	GFA57			8.5	268	157.09	11	2.10	GFAF57	9.8	232	136.16	11	2.40	GF57		10	217	127.27	11	2.60			GFF57	6P	0.20	16237	6772	81	0.80	GFA127R77 GFAF127R77 GF127R77 GFF127R77	4P	12		188	110.01	11	3.00	GFA47			5.7	400	150.06	5.5	1.00	GFAF47	6.5	347	130.07	6.2	1.15	GF47		7.0	324	121.57	6.4	1.20			GFF47	4P	0.22	14283	5957	84	0.85	GFA107R77 GFAF107R77 GF107R77 GFF107R77	4P	8.1		280	105.09	6.8	1.40	GFA47			7.0	325	190.76	6.2	1.15	GFA47	7.6	299	175.38	6.5	1.25	GFAF47		8.9	256	150.06	6.9	1.45			GF47	6P	0.26	12427	5183	86	1.00	GFA97R57 GFAF97R57 GF97R57 GFF97R57	4P	10.2		222	130.07	7.2	1.65	GFF47			10.9	207	121.57	7.3	1.80	GFA47	12.7	179	105.09	7.4	2.10	GFAF47		14.9	152	89.29	7.6	2.40			GF47	4P	0.29	10931	4559	86	1.15	GFA87R57 GFAF87R57 GF87R57 GFF87R57	4P	10		219	128.51	3.5	0.85	GFF47			11	201	117.88	3.8	0.90	GFA77R37	13	171	100.36	4.3	1.10	GFAF77R37		15	148	86.53	4.6	1.25			GF77R37	6P	0.34	9294	3876	86	1.35	GFA77R37 GFAF77R37 GF77R37 GFF77R37	4P	16		138	80.65	4.7	1.35	GF77R37			19	120	70.50	4.8	1.55	GFF77R37	20	113	66.09	4.9	1.65	GFA37		23	99	58.32	4.9	1.85			GFAF37	4P	0.39	8176	3410	86	1.55	GFA37 GFAF37 GF37 GFF37	4P	24		93	54.54	5.0	2.00	GF37			26	88	51.70	5.0	2.10	GFF37																																																																																																																																																																																																																																																																								
4.6	490	183.60	9.4	1.20	GF57		5.4	419	157.09	10	1.40			GFF57	6P	271	8	4.90	3.0	13	GFA97R57 GFAF97R57 GF97R57 GFF97R57	4P	6.2		363	136.16	10	1.60	GFA57			6.7		340	127.27	10	1.75	GFAF57			7.7	294	110.01	11	2.00	GF57	6.7	341	199.70	10	1.65	GFF57	4P	315	7	4.22	2.9	14	GFA87R57 GFAF87R57 GF87R57 GFF87R57	4P	7.2		313	183.60	10	1.80	GFA57			8.5		268	157.09	11	2.10	GFAF57			9.8	232	136.16	11	2.40	GF57	10	217	127.27	11	2.60	GFF57	6P	0.20	16237	6772	81	0.80	GFA127R77 GFAF127R77 GF127R77 GFF127R77	4P	12		188	110.01	11	3.00	GFA47			5.7		400	150.06	5.5	1.00	GFAF47			6.5	347	130.07	6.2	1.15	GF47	7.0	324	121.57	6.4	1.20	GFF47	4P	0.22	14283	5957	84	0.85	GFA107R77 GFAF107R77 GF107R77 GFF107R77	4P	8.1		280	105.09	6.8	1.40	GFA47			7.0		325	190.76	6.2	1.15	GFA47			7.6	299	175.38	6.5	1.25	GFAF47	8.9	256	150.06	6.9	1.45	GF47	6P	0.26	12427	5183	86	1.00	GFA97R57 GFAF97R57 GF97R57 GFF97R57	4P	10.2		222	130.07	7.2	1.65	GFF47			10.9		207	121.57	7.3	1.80	GFA47			12.7	179	105.09	7.4	2.10	GFAF47	14.9	152	89.29	7.6	2.40	GF47	4P	0.29	10931	4559	86	1.15	GFA87R57 GFAF87R57 GF87R57 GFF87R57	4P	10		219	128.51	3.5	0.85	GFF47			11		201	117.88	3.8	0.90	GFA77R37			13	171	100.36	4.3	1.10	GFAF77R37	15	148	86.53	4.6	1.25	GF77R37	6P	0.34	9294	3876	86	1.35	GFA77R37 GFAF77R37 GF77R37 GFF77R37	4P	16		138	80.65	4.7	1.35	GF77R37			19		120	70.50	4.8	1.55	GFF77R37			20	113	66.09	4.9	1.65	GFA37	23	99	58.32	4.9	1.85	GFAF37	4P	0.39	8176	3410	86	1.55	GFA37 GFAF37 GF37 GFF37	4P	24		93	54.54	5.0	2.00	GF37			26		88	51.70	5.0	2.10	GFF37																																																																																																																																																																																																																																																																																
5.4	419	157.09	10	1.40	GFF57	6P	271	8	4.90	3.0	13	GFA97R57 GFAF97R57 GF97R57 GFF97R57	4P																																																																																																																																																																																																																																																																																																																																																																																																																																																																																																																																																																																			
6.2	363	136.16	10	1.60	GFA57		6.7	340	127.27	10	1.75			GFAF57		7.7	294	110.01	11	2.00			GF57		6.7	341	199.70	10	1.65			GFF57	4P	315	7	4.22	2.9	14	GFA87R57 GFAF87R57 GF87R57 GFF87R57	4P	7.2	313	183.60	10	1.80	GFA57	8.5	268	157.09	11	2.10	GFAF57		9.8	232	136.16	11	2.40			GF57		10	217	127.27	11	2.60			GFF57	6P	0.20	16237	6772	81	0.80	GFA127R77 GFAF127R77 GF127R77 GFF127R77	4P	12	188	110.01	11	3.00	GFA47	5.7	400	150.06	5.5	1.00	GFAF47		6.5	347	130.07	6.2	1.15			GF47		7.0	324	121.57	6.4	1.20			GFF47	4P	0.22	14283	5957	84	0.85	GFA107R77 GFAF107R77 GF107R77 GFF107R77	4P	8.1	280	105.09	6.8	1.40	GFA47	7.0	325	190.76	6.2	1.15	GFA47		7.6	299	175.38	6.5	1.25			GFAF47		8.9	256	150.06	6.9	1.45			GF47	6P	0.26	12427	5183	86	1.00	GFA97R57 GFAF97R57 GF97R57 GFF97R57	4P	10.2	222	130.07	7.2	1.65	GFF47	10.9	207	121.57	7.3	1.80	GFA47		12.7	179	105.09	7.4	2.10			GFAF47		14.9	152	89.29	7.6	2.40			GF47	4P	0.29	10931	4559	86	1.15	GFA87R57 GFAF87R57 GF87R57 GFF87R57	4P	10	219	128.51	3.5	0.85	GFF47	11	201	117.88	3.8	0.90	GFA77R37		13	171	100.36	4.3	1.10			GFAF77R37		15	148	86.53	4.6	1.25			GF77R37	6P	0.34	9294	3876	86	1.35	GFA77R37 GFAF77R37 GF77R37 GFF77R37	4P	16	138	80.65	4.7	1.35	GF77R37	19	120	70.50	4.8	1.55	GFF77R37		20	113	66.09	4.9	1.65			GFA37		23	99	58.32	4.9	1.85			GFAF37	4P	0.39	8176	3410	86	1.55	GFA37 GFAF37 GF37 GFF37	4P	24	93	54.54	5.0	2.00	GF37	26	88	51.70	5.0	2.10	GFF37																																																																																																																																																																																																																																																																																																								
6.7	340	127.27	10	1.75	GFAF57		7.7	294	110.01	11	2.00			GF57		6.7	341	199.70	10	1.65			GFF57	4P	315	7	4.22	2.9	14	GFA87R57 GFAF87R57 GF87R57 GFF87R57	4P	7.2		313	183.60	10	1.80	GFA57			8.5	268	157.09	11	2.10	GFAF57	9.8	232	136.16	11	2.40	GF57		10	217	127.27	11	2.60			GFF57	6P	0.20	16237	6772	81	0.80	GFA127R77 GFAF127R77 GF127R77 GFF127R77	4P	12		188	110.01	11	3.00	GFA47			5.7	400	150.06	5.5	1.00	GFAF47	6.5	347	130.07	6.2	1.15	GF47		7.0	324	121.57	6.4	1.20			GFF47	4P	0.22	14283	5957	84	0.85	GFA107R77 GFAF107R77 GF107R77 GFF107R77	4P	8.1		280	105.09	6.8	1.40	GFA47			7.0	325	190.76	6.2	1.15	GFA47	7.6	299	175.38	6.5	1.25	GFAF47		8.9	256	150.06	6.9	1.45			GF47	6P	0.26	12427	5183	86	1.00	GFA97R57 GFAF97R57 GF97R57 GFF97R57	4P	10.2		222	130.07	7.2	1.65	GFF47			10.9	207	121.57	7.3	1.80	GFA47	12.7	179	105.09	7.4	2.10	GFAF47		14.9	152	89.29	7.6	2.40			GF47	4P	0.29	10931	4559	86	1.15	GFA87R57 GFAF87R57 GF87R57 GFF87R57	4P	10		219	128.51	3.5	0.85	GFF47			11	201	117.88	3.8	0.90	GFA77R37	13	171	100.36	4.3	1.10	GFAF77R37		15	148	86.53	4.6	1.25			GF77R37	6P	0.34	9294	3876	86	1.35	GFA77R37 GFAF77R37 GF77R37 GFF77R37	4P	16		138	80.65	4.7	1.35	GF77R37			19	120	70.50	4.8	1.55	GFF77R37	20	113	66.09	4.9	1.65	GFA37		23	99	58.32	4.9	1.85			GFAF37	4P	0.39	8176	3410	86	1.55	GFA37 GFAF37 GF37 GFF37	4P	24		93	54.54	5.0	2.00	GF37			26	88	51.70	5.0	2.10	GFF37																																																																																																																																																																																																																																																																																																														
7.7	294	110.01	11	2.00	GF57		6.7	341	199.70	10	1.65			GFF57	4P	315	7	4.22	2.9	14	GFA87R57 GFAF87R57 GF87R57 GFF87R57	4P	7.2		313	183.60	10	1.80	GFA57			8.5		268	157.09	11	2.10	GFAF57			9.8	232	136.16	11	2.40	GF57	10	217	127.27	11	2.60	GFF57	6P	0.20	16237	6772	81	0.80	GFA127R77 GFAF127R77 GF127R77 GFF127R77	4P	12		188	110.01	11	3.00	GFA47			5.7		400	150.06	5.5	1.00	GFAF47			6.5	347	130.07	6.2	1.15	GF47	7.0	324	121.57	6.4	1.20	GFF47	4P	0.22	14283	5957	84	0.85	GFA107R77 GFAF107R77 GF107R77 GFF107R77	4P	8.1		280	105.09	6.8	1.40	GFA47			7.0		325	190.76	6.2	1.15	GFA47			7.6	299	175.38	6.5	1.25	GFAF47	8.9	256	150.06	6.9	1.45	GF47	6P	0.26	12427	5183	86	1.00	GFA97R57 GFAF97R57 GF97R57 GFF97R57	4P	10.2		222	130.07	7.2	1.65	GFF47			10.9		207	121.57	7.3	1.80	GFA47			12.7	179	105.09	7.4	2.10	GFAF47	14.9	152	89.29	7.6	2.40	GF47	4P	0.29	10931	4559	86	1.15	GFA87R57 GFAF87R57 GF87R57 GFF87R57	4P	10		219	128.51	3.5	0.85	GFF47			11		201	117.88	3.8	0.90	GFA77R37			13	171	100.36	4.3	1.10	GFAF77R37	15	148	86.53	4.6	1.25	GF77R37	6P	0.34	9294	3876	86	1.35	GFA77R37 GFAF77R37 GF77R37 GFF77R37	4P	16		138	80.65	4.7	1.35	GF77R37			19		120	70.50	4.8	1.55	GFF77R37			20	113	66.09	4.9	1.65	GFA37	23	99	58.32	4.9	1.85	GFAF37	4P	0.39	8176	3410	86	1.55	GFA37 GFAF37 GF37 GFF37	4P	24		93	54.54	5.0	2.00	GF37			26		88	51.70	5.0	2.10	GFF37																																																																																																																																																																																																																																																																																																																						
6.7	341	199.70	10	1.65	GFF57	4P	315	7	4.22	2.9	14	GFA87R57 GFAF87R57 GF87R57 GFF87R57	4P																																																																																																																																																																																																																																																																																																																																																																																																																																																																																																																																																																																			
7.2	313	183.60	10	1.80	GFA57		8.5	268	157.09	11	2.10			GFAF57		9.8	232	136.16	11	2.40			GF57		10	217	127.27	11	2.60			GFF57	6P	0.20	16237	6772	81	0.80	GFA127R77 GFAF127R77 GF127R77 GFF127R77	4P	12	188	110.01	11	3.00	GFA47	5.7	400	150.06	5.5	1.00	GFAF47		6.5	347	130.07	6.2	1.15			GF47		7.0	324	121.57	6.4	1.20			GFF47	4P	0.22	14283	5957	84	0.85	GFA107R77 GFAF107R77 GF107R77 GFF107R77	4P	8.1	280	105.09	6.8	1.40	GFA47	7.0	325	190.76	6.2	1.15	GFA47		7.6	299	175.38	6.5	1.25			GFAF47		8.9	256	150.06	6.9	1.45			GF47	6P	0.26	12427	5183	86	1.00	GFA97R57 GFAF97R57 GF97R57 GFF97R57	4P	10.2	222	130.07	7.2	1.65	GFF47	10.9	207	121.57	7.3	1.80	GFA47		12.7	179	105.09	7.4	2.10			GFAF47		14.9	152	89.29	7.6	2.40			GF47	4P	0.29	10931	4559	86	1.15	GFA87R57 GFAF87R57 GF87R57 GFF87R57	4P	10	219	128.51	3.5	0.85	GFF47	11	201	117.88	3.8	0.90	GFA77R37		13	171	100.36	4.3	1.10			GFAF77R37		15	148	86.53	4.6	1.25			GF77R37	6P	0.34	9294	3876	86	1.35	GFA77R37 GFAF77R37 GF77R37 GFF77R37	4P	16	138	80.65	4.7	1.35	GF77R37	19	120	70.50	4.8	1.55	GFF77R37		20	113	66.09	4.9	1.65			GFA37		23	99	58.32	4.9	1.85			GFAF37	4P	0.39	8176	3410	86	1.55	GFA37 GFAF37 GF37 GFF37	4P	24	93	54.54	5.0	2.00	GF37	26	88	51.70	5.0	2.10	GFF37																																																																																																																																																																																																																																																																																																																																														
8.5	268	157.09	11	2.10	GFAF57		9.8	232	136.16	11	2.40			GF57		10	217	127.27	11	2.60			GFF57	6P	0.20	16237	6772	81	0.80	GFA127R77 GFAF127R77 GF127R77 GFF127R77	4P	12		188	110.01	11	3.00	GFA47			5.7	400	150.06	5.5	1.00	GFAF47	6.5	347	130.07	6.2	1.15	GF47		7.0	324	121.57	6.4	1.20			GFF47	4P	0.22	14283	5957	84	0.85	GFA107R77 GFAF107R77 GF107R77 GFF107R77	4P	8.1		280	105.09	6.8	1.40	GFA47			7.0	325	190.76	6.2	1.15	GFA47	7.6	299	175.38	6.5	1.25	GFAF47		8.9	256	150.06	6.9	1.45			GF47	6P	0.26	12427	5183	86	1.00	GFA97R57 GFAF97R57 GF97R57 GFF97R57	4P	10.2		222	130.07	7.2	1.65	GFF47			10.9	207	121.57	7.3	1.80	GFA47	12.7	179	105.09	7.4	2.10	GFAF47		14.9	152	89.29	7.6	2.40			GF47	4P	0.29	10931	4559	86	1.15	GFA87R57 GFAF87R57 GF87R57 GFF87R57	4P	10		219	128.51	3.5	0.85	GFF47			11	201	117.88	3.8	0.90	GFA77R37	13	171	100.36	4.3	1.10	GFAF77R37		15	148	86.53	4.6	1.25			GF77R37	6P	0.34	9294	3876	86	1.35	GFA77R37 GFAF77R37 GF77R37 GFF77R37	4P	16		138	80.65	4.7	1.35	GF77R37			19	120	70.50	4.8	1.55	GFF77R37	20	113	66.09	4.9	1.65	GFA37		23	99	58.32	4.9	1.85			GFAF37	4P	0.39	8176	3410	86	1.55	GFA37 GFAF37 GF37 GFF37	4P	24		93	54.54	5.0	2.00	GF37			26	88	51.70	5.0	2.10	GFF37																																																																																																																																																																																																																																																																																																																																																				
9.8	232	136.16	11	2.40	GF57		10	217	127.27	11	2.60			GFF57	6P	0.20	16237	6772	81	0.80	GFA127R77 GFAF127R77 GF127R77 GFF127R77	4P	12		188	110.01	11	3.00	GFA47			5.7		400	150.06	5.5	1.00	GFAF47			6.5	347	130.07	6.2	1.15	GF47	7.0	324	121.57	6.4	1.20	GFF47	4P	0.22	14283	5957	84	0.85	GFA107R77 GFAF107R77 GF107R77 GFF107R77	4P	8.1		280	105.09	6.8	1.40	GFA47			7.0		325	190.76	6.2	1.15	GFA47			7.6	299	175.38	6.5	1.25	GFAF47	8.9	256	150.06	6.9	1.45	GF47	6P	0.26	12427	5183	86	1.00	GFA97R57 GFAF97R57 GF97R57 GFF97R57	4P	10.2		222	130.07	7.2	1.65	GFF47			10.9		207	121.57	7.3	1.80	GFA47			12.7	179	105.09	7.4	2.10	GFAF47	14.9	152	89.29	7.6	2.40	GF47	4P	0.29	10931	4559	86	1.15	GFA87R57 GFAF87R57 GF87R57 GFF87R57	4P	10		219	128.51	3.5	0.85	GFF47			11		201	117.88	3.8	0.90	GFA77R37			13	171	100.36	4.3	1.10	GFAF77R37	15	148	86.53	4.6	1.25	GF77R37	6P	0.34	9294	3876	86	1.35	GFA77R37 GFAF77R37 GF77R37 GFF77R37	4P	16		138	80.65	4.7	1.35	GF77R37			19		120	70.50	4.8	1.55	GFF77R37			20	113	66.09	4.9	1.65	GFA37	23	99	58.32	4.9	1.85	GFAF37	4P	0.39	8176	3410	86	1.55	GFA37 GFAF37 GF37 GFF37	4P	24		93	54.54	5.0	2.00	GF37			26		88	51.70	5.0	2.10	GFF37																																																																																																																																																																																																																																																																																																																																																												
10	217	127.27	11	2.60	GFF57	6P	0.20	16237	6772	81	0.80	GFA127R77 GFAF127R77 GF127R77 GFF127R77	4P																																																																																																																																																																																																																																																																																																																																																																																																																																																																																																																																																																																			
12	188	110.01	11	3.00	GFA47		5.7	400	150.06	5.5	1.00			GFAF47		6.5	347	130.07	6.2	1.15			GF47		7.0	324	121.57	6.4	1.20			GFF47	4P	0.22	14283	5957	84	0.85	GFA107R77 GFAF107R77 GF107R77 GFF107R77	4P	8.1	280	105.09	6.8	1.40	GFA47	7.0	325	190.76	6.2	1.15	GFA47		7.6	299	175.38	6.5	1.25			GFAF47		8.9	256	150.06	6.9	1.45			GF47	6P	0.26	12427	5183	86	1.00	GFA97R57 GFAF97R57 GF97R57 GFF97R57	4P	10.2	222	130.07	7.2	1.65	GFF47	10.9	207	121.57	7.3	1.80	GFA47		12.7	179	105.09	7.4	2.10			GFAF47		14.9	152	89.29	7.6	2.40			GF47	4P	0.29	10931	4559	86	1.15	GFA87R57 GFAF87R57 GF87R57 GFF87R57	4P	10	219	128.51	3.5	0.85	GFF47	11	201	117.88	3.8	0.90	GFA77R37		13	171	100.36	4.3	1.10			GFAF77R37		15	148	86.53	4.6	1.25			GF77R37	6P	0.34	9294	3876	86	1.35	GFA77R37 GFAF77R37 GF77R37 GFF77R37	4P	16	138	80.65	4.7	1.35	GF77R37	19	120	70.50	4.8	1.55	GFF77R37		20	113	66.09	4.9	1.65			GFA37		23	99	58.32	4.9	1.85			GFAF37	4P	0.39	8176	3410	86	1.55	GFA37 GFAF37 GF37 GFF37	4P	24	93	54.54	5.0	2.00	GF37	26	88	51.70	5.0	2.10	GFF37																																																																																																																																																																																																																																																																																																																																																																																				
5.7	400	150.06	5.5	1.00	GFAF47		6.5	347	130.07	6.2	1.15			GF47		7.0	324	121.57	6.4	1.20			GFF47	4P	0.22	14283	5957	84	0.85	GFA107R77 GFAF107R77 GF107R77 GFF107R77	4P	8.1		280	105.09	6.8	1.40	GFA47			7.0	325	190.76	6.2	1.15	GFA47	7.6	299	175.38	6.5	1.25	GFAF47		8.9	256	150.06	6.9	1.45			GF47	6P	0.26	12427	5183	86	1.00	GFA97R57 GFAF97R57 GF97R57 GFF97R57	4P	10.2		222	130.07	7.2	1.65	GFF47			10.9	207	121.57	7.3	1.80	GFA47	12.7	179	105.09	7.4	2.10	GFAF47		14.9	152	89.29	7.6	2.40			GF47	4P	0.29	10931	4559	86	1.15	GFA87R57 GFAF87R57 GF87R57 GFF87R57	4P	10		219	128.51	3.5	0.85	GFF47			11	201	117.88	3.8	0.90	GFA77R37	13	171	100.36	4.3	1.10	GFAF77R37		15	148	86.53	4.6	1.25			GF77R37	6P	0.34	9294	3876	86	1.35	GFA77R37 GFAF77R37 GF77R37 GFF77R37	4P	16		138	80.65	4.7	1.35	GF77R37			19	120	70.50	4.8	1.55	GFF77R37	20	113	66.09	4.9	1.65	GFA37		23	99	58.32	4.9	1.85			GFAF37	4P	0.39	8176	3410	86	1.55	GFA37 GFAF37 GF37 GFF37	4P	24		93	54.54	5.0	2.00	GF37			26	88	51.70	5.0	2.10	GFF37																																																																																																																																																																																																																																																																																																																																																																																										
6.5	347	130.07	6.2	1.15	GF47		7.0	324	121.57	6.4	1.20			GFF47	4P	0.22	14283	5957	84	0.85	GFA107R77 GFAF107R77 GF107R77 GFF107R77	4P	8.1		280	105.09	6.8	1.40	GFA47			7.0		325	190.76	6.2	1.15	GFA47			7.6	299	175.38	6.5	1.25	GFAF47	8.9	256	150.06	6.9	1.45	GF47	6P	0.26	12427	5183	86	1.00	GFA97R57 GFAF97R57 GF97R57 GFF97R57	4P	10.2		222	130.07	7.2	1.65	GFF47			10.9		207	121.57	7.3	1.80	GFA47			12.7	179	105.09	7.4	2.10	GFAF47	14.9	152	89.29	7.6	2.40	GF47	4P	0.29	10931	4559	86	1.15	GFA87R57 GFAF87R57 GF87R57 GFF87R57	4P	10		219	128.51	3.5	0.85	GFF47			11		201	117.88	3.8	0.90	GFA77R37			13	171	100.36	4.3	1.10	GFAF77R37	15	148	86.53	4.6	1.25	GF77R37	6P	0.34	9294	3876	86	1.35	GFA77R37 GFAF77R37 GF77R37 GFF77R37	4P	16		138	80.65	4.7	1.35	GF77R37			19		120	70.50	4.8	1.55	GFF77R37			20	113	66.09	4.9	1.65	GFA37	23	99	58.32	4.9	1.85	GFAF37	4P	0.39	8176	3410	86	1.55	GFA37 GFAF37 GF37 GFF37	4P	24		93	54.54	5.0	2.00	GF37			26		88	51.70	5.0	2.10	GFF37																																																																																																																																																																																																																																																																																																																																																																																																		
7.0	324	121.57	6.4	1.20	GFF47	4P	0.22	14283	5957	84	0.85	GFA107R77 GFAF107R77 GF107R77 GFF107R77	4P																																																																																																																																																																																																																																																																																																																																																																																																																																																																																																																																																																																			
8.1	280	105.09	6.8	1.40	GFA47		7.0	325	190.76	6.2	1.15			GFA47		7.6	299	175.38	6.5	1.25			GFAF47		8.9	256	150.06	6.9	1.45			GF47	6P	0.26	12427	5183	86	1.00	GFA97R57 GFAF97R57 GF97R57 GFF97R57	4P	10.2	222	130.07	7.2	1.65	GFF47	10.9	207	121.57	7.3	1.80	GFA47		12.7	179	105.09	7.4	2.10			GFAF47		14.9	152	89.29	7.6	2.40			GF47	4P	0.29	10931	4559	86	1.15	GFA87R57 GFAF87R57 GF87R57 GFF87R57	4P	10	219	128.51	3.5	0.85	GFF47	11	201	117.88	3.8	0.90	GFA77R37		13	171	100.36	4.3	1.10			GFAF77R37		15	148	86.53	4.6	1.25			GF77R37	6P	0.34	9294	3876	86	1.35	GFA77R37 GFAF77R37 GF77R37 GFF77R37	4P	16	138	80.65	4.7	1.35	GF77R37	19	120	70.50	4.8	1.55	GFF77R37		20	113	66.09	4.9	1.65			GFA37		23	99	58.32	4.9	1.85			GFAF37	4P	0.39	8176	3410	86	1.55	GFA37 GFAF37 GF37 GFF37	4P	24	93	54.54	5.0	2.00	GF37	26	88	51.70	5.0	2.10	GFF37																																																																																																																																																																																																																																																																																																																																																																																																																										
7.0	325	190.76	6.2	1.15	GFA47		7.6	299	175.38	6.5	1.25			GFAF47		8.9	256	150.06	6.9	1.45			GF47	6P	0.26	12427	5183	86	1.00	GFA97R57 GFAF97R57 GF97R57 GFF97R57	4P	10.2		222	130.07	7.2	1.65	GFF47			10.9	207	121.57	7.3	1.80	GFA47	12.7	179	105.09	7.4	2.10	GFAF47		14.9	152	89.29	7.6	2.40			GF47	4P	0.29	10931	4559	86	1.15	GFA87R57 GFAF87R57 GF87R57 GFF87R57	4P	10		219	128.51	3.5	0.85	GFF47			11	201	117.88	3.8	0.90	GFA77R37	13	171	100.36	4.3	1.10	GFAF77R37		15	148	86.53	4.6	1.25			GF77R37	6P	0.34	9294	3876	86	1.35	GFA77R37 GFAF77R37 GF77R37 GFF77R37	4P	16		138	80.65	4.7	1.35	GF77R37			19	120	70.50	4.8	1.55	GFF77R37	20	113	66.09	4.9	1.65	GFA37		23	99	58.32	4.9	1.85			GFAF37	4P	0.39	8176	3410	86	1.55	GFA37 GFAF37 GF37 GFF37	4P	24		93	54.54	5.0	2.00	GF37			26	88	51.70	5.0	2.10	GFF37																																																																																																																																																																																																																																																																																																																																																																																																																																
7.6	299	175.38	6.5	1.25	GFAF47		8.9	256	150.06	6.9	1.45			GF47	6P	0.26	12427	5183	86	1.00	GFA97R57 GFAF97R57 GF97R57 GFF97R57	4P	10.2		222	130.07	7.2	1.65	GFF47			10.9		207	121.57	7.3	1.80	GFA47			12.7	179	105.09	7.4	2.10	GFAF47	14.9	152	89.29	7.6	2.40	GF47	4P	0.29	10931	4559	86	1.15	GFA87R57 GFAF87R57 GF87R57 GFF87R57	4P	10		219	128.51	3.5	0.85	GFF47			11		201	117.88	3.8	0.90	GFA77R37			13	171	100.36	4.3	1.10	GFAF77R37	15	148	86.53	4.6	1.25	GF77R37	6P	0.34	9294	3876	86	1.35	GFA77R37 GFAF77R37 GF77R37 GFF77R37	4P	16		138	80.65	4.7	1.35	GF77R37			19		120	70.50	4.8	1.55	GFF77R37			20	113	66.09	4.9	1.65	GFA37	23	99	58.32	4.9	1.85	GFAF37	4P	0.39	8176	3410	86	1.55	GFA37 GFAF37 GF37 GFF37	4P	24		93	54.54	5.0	2.00	GF37			26		88	51.70	5.0	2.10	GFF37																																																																																																																																																																																																																																																																																																																																																																																																																																								
8.9	256	150.06	6.9	1.45	GF47	6P	0.26	12427	5183	86	1.00	GFA97R57 GFAF97R57 GF97R57 GFF97R57	4P																																																																																																																																																																																																																																																																																																																																																																																																																																																																																																																																																																																			
10.2	222	130.07	7.2	1.65	GFF47		10.9	207	121.57	7.3	1.80			GFA47		12.7	179	105.09	7.4	2.10			GFAF47		14.9	152	89.29	7.6	2.40			GF47	4P	0.29	10931	4559	86	1.15	GFA87R57 GFAF87R57 GF87R57 GFF87R57	4P	10	219	128.51	3.5	0.85	GFF47	11	201	117.88	3.8	0.90	GFA77R37		13	171	100.36	4.3	1.10			GFAF77R37		15	148	86.53	4.6	1.25			GF77R37	6P	0.34	9294	3876	86	1.35	GFA77R37 GFAF77R37 GF77R37 GFF77R37	4P	16	138	80.65	4.7	1.35	GF77R37	19	120	70.50	4.8	1.55	GFF77R37		20	113	66.09	4.9	1.65			GFA37		23	99	58.32	4.9	1.85			GFAF37	4P	0.39	8176	3410	86	1.55	GFA37 GFAF37 GF37 GFF37	4P	24	93	54.54	5.0	2.00	GF37	26	88	51.70	5.0	2.10	GFF37																																																																																																																																																																																																																																																																																																																																																																																																																																																																
10.9	207	121.57	7.3	1.80	GFA47		12.7	179	105.09	7.4	2.10			GFAF47		14.9	152	89.29	7.6	2.40			GF47	4P	0.29	10931	4559	86	1.15	GFA87R57 GFAF87R57 GF87R57 GFF87R57	4P	10		219	128.51	3.5	0.85	GFF47			11	201	117.88	3.8	0.90	GFA77R37	13	171	100.36	4.3	1.10	GFAF77R37		15	148	86.53	4.6	1.25			GF77R37	6P	0.34	9294	3876	86	1.35	GFA77R37 GFAF77R37 GF77R37 GFF77R37	4P	16		138	80.65	4.7	1.35	GF77R37			19	120	70.50	4.8	1.55	GFF77R37	20	113	66.09	4.9	1.65	GFA37		23	99	58.32	4.9	1.85			GFAF37	4P	0.39	8176	3410	86	1.55	GFA37 GFAF37 GF37 GFF37	4P	24		93	54.54	5.0	2.00	GF37			26	88	51.70	5.0	2.10	GFF37																																																																																																																																																																																																																																																																																																																																																																																																																																																																						
12.7	179	105.09	7.4	2.10	GFAF47		14.9	152	89.29	7.6	2.40			GF47	4P	0.29	10931	4559	86	1.15	GFA87R57 GFAF87R57 GF87R57 GFF87R57	4P	10		219	128.51	3.5	0.85	GFF47			11		201	117.88	3.8	0.90	GFA77R37			13	171	100.36	4.3	1.10	GFAF77R37	15	148	86.53	4.6	1.25	GF77R37	6P	0.34	9294	3876	86	1.35	GFA77R37 GFAF77R37 GF77R37 GFF77R37	4P	16		138	80.65	4.7	1.35	GF77R37			19		120	70.50	4.8	1.55	GFF77R37			20	113	66.09	4.9	1.65	GFA37	23	99	58.32	4.9	1.85	GFAF37	4P	0.39	8176	3410	86	1.55	GFA37 GFAF37 GF37 GFF37	4P	24		93	54.54	5.0	2.00	GF37			26		88	51.70	5.0	2.10	GFF37																																																																																																																																																																																																																																																																																																																																																																																																																																																																														
14.9	152	89.29	7.6	2.40	GF47	4P	0.29	10931	4559	86	1.15	GFA87R57 GFAF87R57 GF87R57 GFF87R57	4P																																																																																																																																																																																																																																																																																																																																																																																																																																																																																																																																																																																			
10	219	128.51	3.5	0.85	GFF47		11	201	117.88	3.8	0.90			GFA77R37		13	171	100.36	4.3	1.10			GFAF77R37		15	148	86.53	4.6	1.25			GF77R37	6P	0.34	9294	3876	86	1.35	GFA77R37 GFAF77R37 GF77R37 GFF77R37	4P	16	138	80.65	4.7	1.35	GF77R37	19	120	70.50	4.8	1.55	GFF77R37		20	113	66.09	4.9	1.65			GFA37		23	99	58.32	4.9	1.85			GFAF37	4P	0.39	8176	3410	86	1.55	GFA37 GFAF37 GF37 GFF37	4P	24	93	54.54	5.0	2.00	GF37	26	88	51.70	5.0	2.10	GFF37																																																																																																																																																																																																																																																																																																																																																																																																																																																																																																						
11	201	117.88	3.8	0.90	GFA77R37		13	171	100.36	4.3	1.10			GFAF77R37		15	148	86.53	4.6	1.25			GF77R37	6P	0.34	9294	3876	86	1.35	GFA77R37 GFAF77R37 GF77R37 GFF77R37	4P	16		138	80.65	4.7	1.35	GF77R37			19	120	70.50	4.8	1.55	GFF77R37	20	113	66.09	4.9	1.65	GFA37		23	99	58.32	4.9	1.85			GFAF37	4P	0.39	8176	3410	86	1.55	GFA37 GFAF37 GF37 GFF37	4P	24		93	54.54	5.0	2.00	GF37			26	88	51.70	5.0	2.10	GFF37																																																																																																																																																																																																																																																																																																																																																																																																																																																																																																												
13	171	100.36	4.3	1.10	GFAF77R37		15	148	86.53	4.6	1.25			GF77R37	6P	0.34	9294	3876	86	1.35	GFA77R37 GFAF77R37 GF77R37 GFF77R37	4P	16		138	80.65	4.7	1.35	GF77R37			19		120	70.50	4.8	1.55	GFF77R37			20	113	66.09	4.9	1.65	GFA37	23	99	58.32	4.9	1.85	GFAF37	4P	0.39	8176	3410	86	1.55	GFA37 GFAF37 GF37 GFF37	4P	24		93	54.54	5.0	2.00	GF37			26		88	51.70	5.0	2.10	GFF37																																																																																																																																																																																																																																																																																																																																																																																																																																																																																																																				
15	148	86.53	4.6	1.25	GF77R37	6P	0.34	9294	3876	86	1.35	GFA77R37 GFAF77R37 GF77R37 GFF77R37	4P																																																																																																																																																																																																																																																																																																																																																																																																																																																																																																																																																																																			
16	138	80.65	4.7	1.35	GF77R37		19	120	70.50	4.8	1.55			GFF77R37		20	113	66.09	4.9	1.65			GFA37		23	99	58.32	4.9	1.85			GFAF37	4P	0.39	8176	3410	86	1.55	GFA37 GFAF37 GF37 GFF37	4P	24	93	54.54	5.0	2.00	GF37	26	88	51.70	5.0	2.10	GFF37																																																																																																																																																																																																																																																																																																																																																																																																																																																																																																																																												
19	120	70.50	4.8	1.55	GFF77R37		20	113	66.09	4.9	1.65			GFA37		23	99	58.32	4.9	1.85			GFAF37	4P	0.39	8176	3410	86	1.55	GFA37 GFAF37 GF37 GFF37	4P	24		93	54.54	5.0	2.00	GF37			26	88	51.70	5.0	2.10	GFF37																																																																																																																																																																																																																																																																																																																																																																																																																																																																																																																																																		
20	113	66.09	4.9	1.65	GFA37		23	99	58.32	4.9	1.85			GFAF37	4P	0.39	8176	3410	86	1.55	GFA37 GFAF37 GF37 GFF37	4P	24		93	54.54	5.0	2.00	GF37			26		88	51.70	5.0	2.10	GFF37																																																																																																																																																																																																																																																																																																																																																																																																																																																																																																																																																										
23	99	58.32	4.9	1.85	GFAF37	4P	0.39	8176	3410	86	1.55	GFA37 GFAF37 GF37 GFF37	4P																																																																																																																																																																																																																																																																																																																																																																																																																																																																																																																																																																																			
24	93	54.54	5.0	2.00	GF37		26	88	51.70	5.0	2.10			GFF37																																																																																																																																																																																																																																																																																																																																																																																																																																																																																																																																																																																		
26	88	51.70	5.0	2.10	GFF37																																																																																																																																																																																																																																																																																																																																																																																																																																																																																																																																																																																											

选型参数表
(恒功率)

Selection Table
(Constant Power)

n_a [r/min]	Ma [Nm]	i	F_{ra} [kN]	f_B	机型号 Type size	极数 Pole	n_a [r/min]	Ma [Nm]	i	F_{ra} [kN]	f_B	机型号 Type size	极数 Pole
0.37kW							0.37kW						
3.0	1048	437	5.5	0.80			8.9	379	150.06	5.8	1.05		
3.5	921	384	9.4	0.95	GFA67R37		10	328	130.07	6.4	1.20	GFA47	
3.9	810	338	10	1.05	GFAF67R37	4P	13	265	105.09	7.0	1.50	GFAF47	4P
4.4	731	305	11	1.15	GF67R37		15	225	89.29	7.2	1.75	GF47	
5.2	616	257	11	1.40	GFA67R37		17	201	79.72	7.4	1.95	GFF47	
5.8	554	231	12	1.55			20	172	68.09	7.5	2.30		
					GFA57R37		20	165	65.36	7.5	2.40		
5.2	611	255	8.9	1.00	GFAF57R37	4P	15	218	86.53	3.8	0.90		
6.6	482	201	10	1.30	GF57R37		16	204	80.65	4.0	0.95		
7.3	434	181	10	1.45	GFF57R37		19	178	70.50	4.3	1.10		
5.1	628	262	8.7	1.00			20	167	66.09	4.4	1.20		
5.9	542	226	9.3	1.15	GFA57R37	4P	23	147	58.32	4.6	1.35		
6.7	480	200	10	1.30	GFAF57R37		24	138	54.54	4.7	1.45	GFA37	4P
7.8	408	170	10	1.55	GF57R37	26	130	51.70	4.8	1.50	GFAF37		
8.8	364	152	10	1.70	GFF57R37		28	119	47.02	4.9	1.65	GF37	
9.9	321	134	11	1.95			30	111	43.83	4.9	1.80	GFF37	
					GFA47R17		35	97	38.31	5.0	2.00		
7.6	420	175	5.7	1.00	GFAF47R17	4P	37	91	35.91	5.0	2.20		
9.0	352	147	6.4	1.20	GF47R17		42	80	31.69	5.0	2.50		
10	312	130	6.8	1.35	GFF47R17		47	71	28.09	4.9	2.80		
2.4	1377	270.68	27	2.10	GFA87		56	60	23.88	4.7	3.30		
2.6	1299	255.37	27	2.30	GFAF87	8P	56	60	23.63	4.7	3.30		
2.9	1164	228.93	27	2.50	GF87		65	52	20.57	4.5	3.80		
3.3	1003	197.20	27	2.90	GFF87		69	49	19.27	4.4	4.10		
					GFA87		78	43	17.03	4.3	4.60		
3.3	1021	270.68	27	2.80	GFAF87	6P	84	40	15.81	4.2	4.90		
3.5	963	255.37	28	3.00	GF87		93	36	14.33	4.1	5.40		
3.9	863	228.93	28	3.30	GFF87		103	32	12.87	3.9	6.10	GFA37	4P
3.9	852	225.79	18	1.70			120	28	11.08	3.8	6.70	GFAF37	
4.5	748	198.31	18	1.95	GFA77	6P	128	26	10.42	3.7	6.90	GF37	
4.7	711	188.40	18	2.00	GFAF77		148	23	8.97	3.5	7.60	GFF37	
5.3	628	166.47	18	2.30	GF77		179	19	7.44	3.3	7.60		
6.3	537	142.27	19	2.70	GFF77		197	17	6.74	3.2	8.10		
4.7	711	281.71	18	2.10	GFA77	4P	220	15	6.05	3.1	8.70		
5.1	664	262.93	18	2.20	GFAF77		255	13	5.21	3.0	9.40		
5.9	570	225.79	19	2.60	GF77		271	12	4.90	2.9	9.60		
6.7	501	198.31	19	3.00	GFF77		315	11	4.22	2.8	10		
4.6	737	195.39	10	1.05	GFA67		0.55kW						
5.2	644	170.85	11	1.20	GFAF67	6P						GFA157R97	4P
5.5	612	162.31	11	1.30	GF67		0.22	21427	6283	87	0.90	GFAF157R97	
6.3	537	142.40	11	1.45	GFF67		0.27	17860	5237	97	1.05	GF157R97	
7.4	456	120.79	12	1.75			0.52	9191	2695	113	2.00	GFF157R97	
5.8	578	228.99	11	1.40			0.58	8222	2411	114	2.30	GFA157R97	4P
6.8	493	195.39	12	1.65	GFA67	0.86	5535	1623	114	3.30	GFAF157R97		
7.8	431	170.85	12	1.85	GFAF67	4P	1.1	4321	1267	114	4.30	GF157R97	
8.2	410	162.31	12	1.95	GF67		1.2	3864	1133	114	4.80	GFF157R97	
9.3	359	142.40	12	2.20	GFF67							GFA127R77	4P
11	305	120.79	12	2.70			0.36	13219	3876	84	0.90	GFAF127R77	
5.6	596	157.09	8.6	0.95	GFA57	6P	0.41	11629	3410	86	1.05	GF127R77	
6.5	516	136.16	9.2	1.10	GFAF57		0.46	10350	3035	86	1.20	GFF127R77	
7.0	483	127.27	9.4	1.20	GF57		0.59	8093	2373	46	0.95		
8.0	417	110.01	10	1.40	GFF57		0.67	7063	2071	49	1.10		
6.7	504	199.70	9.4	1.15			0.76	6238	1829	51	1.25		
7.2	463	183.60	10	1.30			0.87	5477	1606	53	1.40	GFA107R77	4P
8.5	396	157.09	10	1.50	GFA57	0.99	4805	1409	54	1.60	GFAF107R77		
9.8	344	136.16	10	1.70	GFAF57	4P	1.1	4246	1245	55	1.85	GF107R77	
10	321	127.27	10	1.85	GF57		1.3	3728	1093	56	2.10	GFF107R77	
12	278	110.01	11	2.10	GFF57		1.5	3260	956	57	2.40		
14	236	93.47	11	2.50			1.7	2861	839	58	2.75		
16	211	83.46	11	2.80			2.2	2196	644	59	3.55		

选型参数表
(恒功率)

Selection Table
(Constant Power)

n_a [r/min]	Ma [Nm]	i	F_{ra} [kN]	f_B	机型号 Type size	极数 Pole	n_a [r/min]	Ma [Nm]	i	F_{ra} [kN]	f_B	机型号 Type size	极数 Pole
0.55kW							0.55kW						
1.0	4526	1327	28	0.95			8.8	564	157.09	8.7	1.00		
1.2	3994	1171	29	1.05			10	489	136.16	9.3	1.15		
1.4	3485	1022	30	1.20			11	457	127.27	9.5	1.20	GFA57	
1.5	3062	898	32	1.40	GFA97R57		13	395	110.01	10	1.40	GFAF57	
1.8	2674	784	32	1.60	GFAF97R57		15	336	93.47	10	1.65	GF57	4P
2.0	2353	690	33	1.85	GF97R57	4P	17	300	83.46	10	1.85	GFF57	
2.3	2063	605	34	2.10	GFF97R57		19	262	72.98	11	2.10		
2.6	1804	529	34	2.40			20	245	68.22	11	2.30		
3.0	1593	467	34	2.70			24	212	58.97	11	2.60		
3.4	1385	406	35	3.10			13	377	105.09	5.5	1.00		
3.8	1238	363	35	3.45			16	321	89.29	6.3	1.15		
1.6	3025	887	17	1.00			17	286	79.72	6.6	1.30	GFA47	
1.8	2660	780	23	1.10	GFA87R57		20	244	68.09	7.0	1.50	GFAF47	4P
2.1	2299	674	24	1.30	GFAF87R57		21	235	65.36	7.1	1.60	GF47	
2.3	2077	609	25	1.45	GF87R57	4P	25	203	56.49	7.3	1.85	GFF47	
2.7	1756	515	26	1.70	GFF87R57		29	172	48.00	7.5	2.20		
3.1	1541	452	26	1.95			32	154	42.86	7.5	2.40		
4.0	1177	345	27	2.55			24	209	58.32	3.7	0.90		
2.6	1835	538	9.5	0.80	GFA77R37		25	196	54.54	3.9	0.95		
2.9	1637	480	14	0.90	GFAF77R37		27	186	51.70	4.1	1.00		
3.4	1408	413	15	1.05	GF77R37	4P	30	169	47.02	4.3	1.10	GFA37	
3.8	1252	367	16	1.20	GFF77R37		32	157	43.83	4.4	1.20	GFAF37	4P
4.3	1102	323	17	1.35			36	138	38.31	4.7	1.35	GF37	
5.4	876	257	9.2	0.90	GFA67R37		39	129	35.91	4.7	1.45	GFF37	
6.0	788	231	10	1.05	GFAF67R37	4P	44	114	31.69	4.7	1.65		
6.8	699	205	11	1.15	GF67R37		49	101	28.09	4.6	1.85		
7.9	597	175	11	1.35	GFF67R37		58	86	23.88	4.5	2.20		
2.4	2092	276.77	33	2.00	GFA97		59	85	23.63	4.5	2.20		
2.6	1916	253.41	34	2.20	GFAF97	8P	68	74	20.57	4.3	2.50		
2.9	1693	223.88	34	2.50	GF97		72	69	19.27	4.2	2.70		
2.4	2046	270.68	25	1.45	GFF97		82	61	17.03	4.1	3.00		
2.6	1931	255.37	25	1.50	GFA87		97	51	14.33	3.9	3.60		
2.9	1731	228.93	26	1.70	GFAF87	8P	108	46	12.87	3.8	4.00		
3.3	1491	197.20	26	1.95	GF87		125	40	11.08	3.7	4.40	GFA37	
3.3	1518	270.68	26	1.90	GFF87		133	37	10.42	3.6	4.60	GFAF37	4P
3.5	1432	255.37	26	2.00	GFA87		155	32	8.97	3.5	5.10	GF37	
3.9	1284	228.93	27	2.20	GFAF87	6P	174	29	8.01	3.4	5.50	GFF37	
4.5	1106	197.20	27	2.60	GF87		187	27	7.44	3.3	5.10		
4.9	1009	179.97	27	2.90	GFF87		206	24	6.74	3.2	5.40		
3.9	1266	225.79	16	1.15			230	22	6.05	3.1	5.80		
4.5	1112	198.31	17	1.30	GFA77		267	19	5.21	2.9	6.20		
4.7	1056	188.40	17	1.35	GFAF77	6P	284	18	4.90	2.9	6.30		
5.3	933	166.47	17	1.55	GF77		329	15	4.22	2.8	6.80		
6.3	798	142.27	18	1.80	GFF77		369	14	3.77	2.7	7.20		
6.8	731	130.42	18	1.95			0.75kW						
6.2	811	225.79	18	1.70			0.52	12533	2695	108	1.45	GFA157R97	
7.0	712	198.31	18	1.95								GFAF157R97	4P
7.4	676	188.40	18	2.10	GFA77							GF157R97	
8.3	598	166.47	18	2.30	GFAF77							GFF157R97	
9.8	511	142.27	19	2.70	GF77	4P	0.58	11212	2411	110	1.70	GFA157R97	
11	468	130.42	19	3.00	GFF77		0.86	7548	1623	114	2.40	GFAF157R97	4P
12	411	114.45	19	3.40			1.1	5892	1267	114	3.10	GF157R97	
13	389	108.46	19	3.60			1.2	5269	1133	114	3.50	GFF157R97	
15	341	94.93	19	4.10								GFA127R77	
7.1	701	195.39	10	1.10			0.46	14114	3035	83	0.85	GFAF127R77	4P
8.1	613	170.85	11	1.25								GF127R77	
8.6	583	162.31	11	1.30	GFA67							GFF127R77	
9.8	511	142.40	12	1.50	GFAF67		0.52	12407	2668	85	0.95		
12	434	120.79	12	1.75	GF67	4P	0.58	11087	2384	86	1.10	GFA127R77	
13	391	109.04	12	1.95	GFF67		0.68	9459	2034	86	1.25	GFAF127R77	4P
14	344	95.94	12	2.20			0.78	8282	1781	86	1.45	GF127R77	
15	325	90.59	12	2.30			0.87	7459	1604	86	1.60	GFF127R77	
17	286	79.76	12	2.70									

选型参数表
(恒功率)

Selection Table
(Constant Power)

n_a [r/min]	M_a [Nm]	i	F_{ra} [kN]	f_B	机型号 Type size	极数 Pole	n_a [r/min]	M_a [Nm]	i	F_{ra} [kN]	f_B	机型号 Type size	极数 Pole
0.75kW							0.75kW						
0.76	8506	1829	46	0.90			8.1	810	170.85	9.2	0.90	GFA67	
0.87	7469	1606	48	1.05			8.6	769	162.31	10	0.95	GFAF67	4P
0.99	6553	1409	50	1.20	GFA107R77		9.8	675	142.40	10	1.10	GF67	
1.1	5790	1245	52	1.35	GFAF107R77		12	573	120.79	11	1.30	GFF67	
1.3	5083	1093	53	1.50	GF107R77	4P	13	517	109.04	11	1.45		
1.5	4446	956	55	1.75	GFF107R77		14	455	95.94	12	1.65	GFA67	
1.7	3902	839	56	2.00			15	429	90.59	12	1.75	GFAF67	4P
2.2	2995	644	57	2.60			17	378	79.76	12	2.00	GF67	
3.2	2037	438	59	3.85			21	321	67.65	12	2.30	GFF67	
1.4	4753	1022	22	0.90			23	290	61.07	12	2.60		
1.5	4176	898	29	1.00			11	603	127.27	5.0	0.90		
1.8	3646	784	30	1.20	GFA97R57		13	522	110.01	8.9	1.05		
2.0	3209	690	31	1.35	GFAF97R57		15	443	93.47	10	1.25	GFA57	
2.3	2814	605	32	1.55	GF97R57	4P	17	396	83.46	10	1.40	GFAF57	
2.6	2460	529	33	1.75	GFF97R57		19	346	72.98	10	1.60	GF57	4P
3.0	2172	467	33	2.00			20	323	68.22	10	1.70	GFF57	
3.4	1888	406	34	2.30			24	280	58.97	11	1.95		
3.8	1688	363	34	2.55			28	238	50.10	11	2.30		
2.1	3134	674	14	0.95	GFA87R57		31	212	44.73	11	2.60		
2.3	2832	609	22	1.05	GFAF87R57							GFA47	
2.7	2395	515	24	1.25	GF87R57	4P	17	378	79.72	4.8	0.95	GFAF47	4P
3.1	2102	452	25	1.45	GFF87R57		20	323	68.09	6.2	1.15	GF47	
4.0	1604	345	26	1.85			21	310	65.36	6.3	1.20	GFF47	
3.8	1707	367	13	0.85	GFA77R37		25	268	56.49	6.8	1.35		
4.3	1502	323	15	1.00	GFAF77R37	4P	29	228	48.00	7.1	1.60	GFA47	
5.0	1302	280	16	1.15	GF77R37		32	203	42.86	7.3	1.80	GFAF47	4P
					GFF77R37		38	174	36.61	7.4	2.10	GF47	
2.7	2513	254.81	58	3.00	GFA107	8P	41	163	34.29	7.5	2.20	GFF47	
					GFAF107		48	137	28.88	7.2	2.70		
					GF107		30	223	47.02	3.4	0.80		
					GFF107		32	208	43.83	3.7	0.90	GFA37	
2.5	2729	276.77	32	1.55	GFA97		36	182	38.31	4.1	1.00	GFAF37	4P
2.7	2499	253.41	32	1.70	GFAF97		39	170	35.91	4.3	1.05	GF37	
3.1	2208	223.88	33	1.90	GF97	8P	44	150	31.69	4.4	1.20	GFF37	
					GFF97		49	133	28.09	4.3	1.35		
3.3	2070	276.77	33	1.95	GFA97		58	113	23.88	4.2	1.60		
3.6	1895	253.41	34	2.10	GFAF97		59	112	23.63	4.2	1.65		
4.1	1674	223.88	34	2.40	GF97	6P	68	98	20.57	4.1	1.85		
					GFF97		72	91	19.27	4.0	2.00		
3.4	2024	270.68	25	1.40			82	81	17.03	3.9	2.30		
3.6	1909	255.37	25	1.50	GFA87		97	68	14.33	3.8	2.70		
4.0	1712	228.93	26	1.65	GFAF87		108	61	12.87	3.7	3.00	GFA37	
4.6	1475	197.20	26	1.90	GF87	6P	125	53	11.08	3.5	3.30	GFAF37	4P
5.1	1346	179.97	27	2.10	GFF87		133	49	10.42	3.5	3.40	GF37	
5.7	1193	159.61	27	2.40			155	43	8.97	3.4	3.80	GFF37	
					GFA87		206	32	6.74	3.1	4.00		
5.1	1325	270.68	27	2.10	GFAF87	4P	230	29	6.05	3.0	4.30		
5.4	1250	255.37	27	2.30	GF87		267	25	5.21	2.9	4.60		
6.1	1121	228.93	27	2.50	GFF87		284	23	4.90	2.8	4.70		
4.6	1483	198.31	14	0.95	GFA77		329	20	4.22	2.7	5.00		
4.8	1409	188.40	15	1.00	GFAF77		369	18	3.77	2.6	5.40		
5.5	1245	166.47	16	1.15	GF77	6P							
6.4	1064	142.27	17	1.30	GFF77		1.1kW						
7.0	975	130.42	17	1.45			0.52	18250	2695	95	0.95	GFA157R97	4P
					GFA77							GFAF157R97	
6.2	1325	225.79	17	1.30	GFAF77	4P						GF157R97	
7.0	1250	198.31	17	1.45	GF77							GFF157R97	
7.4	1121	188.40	17	1.55	GFF77		0.58	16327	2411	101	1.10		
8.3	971	166.47	18	1.75			0.64	14702	2171	104	1.20	GFA157R97	
9.8	922	142.27	18	2.00	GFA77		0.72	13138	1940	107	1.35	GFAF157R97	4P
11	815	130.42	18	2.20	GFAF77	4P	0.86	10991	1623	110	1.60	GF157R97	
12	696	114.45	19	2.50	GF77		1.1	8580	1267	113	2.00	GFF157R97	
13	638	108.46	19	2.70	GFF77		1.2	7673	1133	114	2.25		

选型参数表
(恒功率)

Selection Table
(Constant Power)

n_a [r/min]	M_a [Nm]	i	F_{ra} [kN]	f_B	机型号 Type size	极数 Pole	n_a [r/min]	M_a [Nm]	i	F_{ra} [kN]	f_B	机型号 Type size	极数 Pole
1.1kW							1.1kW						
1.5	6251	923	114	2.75	GFA157R97		12	861	120.79	9.0	0.90		
1.7	5546	819	114	3.15	GFAF157R97	4P	13	777	109.04	10	1.00		
3.1	3020	446	114	5.95	GF157R97		15	684	95.94	11	1.15		
4.7	2011	297	114	8.65	GFF157R97		15	646	90.59	11	1.20		
0.69	13774	2034	83	0.85			18	569	79.76	11	1.35	GFA67	
0.79	12061	1781	86	1.00	GFA127R77		21	482	67.65	12	1.60	GFAF67	4P
0.87	10862	1604	86	1.10	GFAF127R77	4P	23	435	61.07	12	1.80	GF67	
1.0	9467	1398	86	1.25	GF127R77		26	383	53.73	12	2.00	GFF67	
1.1	8309	1227	86	1.45	GFF127R77		28	362	50.74	12	2.20		
1.3	7314	1080	86	1.65			32	308	43.20	12	2.50		
1.1	8431	1245	46	0.95			36	280	39.26	12	2.70		
1.3	7402	1093	48	1.05	GFA107R77		41	242	34.01	12	2.90		
1.5	6474	956	50	1.20	GFAF107R77	4P	17	595	83.46	8.0	0.95		
1.7	5682	839	52	1.40	GF107R77		19	520	72.98	9.1	1.10		
1.9	5011	740	54	1.55	GFF107R77		21	486	68.22	9.3	1.15	GFA57	
2.2	4361	644	55	1.80			24	420	58.97	10	1.35	GFAF57	
2.0	4673	690	26	0.90	GFA97R57		28	357	50.10	10	1.60	GF57	4P
2.3	4097	605	29	1.05	GFAF97R57	4P	31	319	44.73	10	1.80	GFF57	
2.6	3582	529	30	1.20	GF97R57		37	272	38.21	10	2.10		
3.0	3163	467	31	1.35	GFF97R57		39	255	35.79	10	2.20		
3.4	2749	406	32	1.55			46	215	30.15	9.3	2.60		
3.9	2458	363	33	1.75			25	403	56.49	3.5	0.95	GFA47	
3.1	3061	452	16	1.00	GFA87R57		29	342	48.00	6.1	1.10	GFAF47	4P
4.1	2336	345	24	1.30	GFAF87R57	4P						GF47	
4.7	2032	300	25	1.50	GF87R57							GFF47	
5.6	1686	249	26	1.80	GFF87R57		33	306	42.86	6.5	1.25	GFA47	
2.7	3685	254.81	56	1.95	GFA107		38	261	36.61	6.9	1.45	GFAF47	4P
3.2	3120	215.69	57	2.30	GFAF107		41	244	34.29	6.9	1.55	GF47	
3.5	2887	199.64	57	2.50	GF107	8P	48	206	28.88	6.7	1.85	GFF47	
3.9	2588	178.93	58	2.80	GFF107		45	220	30.86	6.8	1.75	GFA47	
3.3	3035	276.77	31	1.35	GFA97		48	209	29.32	6.7	1.80	GFAF47	4P
3.6	3719	253.41	32	1.50	GFAF97		54	183	25.72	6.5	2.10	GF47	
4.1	2455	223.88	33	1.70	GF97	6P	64	156	21.82	6.3	2.40	GFF47	
4.8	2787	189.92	33	2.00	GFF97		71	140	19.70	6.2	2.70		
5.2	1918	174.87	34	2.20			44	226	31.69	3.5	0.85	GFA37	
					GFA97		50	200	28.09	3.8	0.95	GFAF37	4P
5.1	1973	276.77	33	2.10	GFAF97	4P	59	170	23.88	3.7	1.10	GF37	
5.5	1806	253.41	34	2.30	GF97							GFF37	
6.3	1596	223.88	34	2.60	GFF97		68	147	20.57	3.7	1.30		
3.4	2968	270.68	15	0.95			73	137	19.27	3.6	1.40		
3.6	2801	255.37	22	1.05	GFA87		82	121	17.03	3.6	1.55		
4.0	2511	228.93	23	1.15	GFAF87	6P	98	102	14.33	3.5	1.85		
4.6	2163	197.20	24	1.35	GF87		109	92	12.87	3.4	2.10		
5.1	1974	179.97	25	1.45	GFF87		126	79	11.08	3.3	2.30	GFA37	
5.7	1750	159.61	26	1.65			134	74	10.42	3.3	2.40	GFAF37	4P
5.2	1930	270.68	25	1.50	GFA87		156	64	8.97	3.2	2.60	GF37	
5.5	1820	255.37	25	1.55	GFAF87	4P	175	57	8.01	3.1	2.80	GFF37	
6.1	1632	228.93	26	1.75	GF87		208	48	6.74	2.9	2.80		
7.1	1406	197.20	27	2.00	GFF87		231	43	6.05	2.9	3.00		
7.8	1283	179.97	27	2.20	GFA87		269	37	5.21	2.8	3.20		
8.8	1138	159.61	27	2.50	GFAF87	4P	286	35	4.90	2.7	3.30		
10	956	134.16	28	3.00	GF87		332	30	4.22	2.6	3.50		
11	879	123.29	28	3.20	GFF87		371	27	3.77	2.5	3.70		
7.1	1414	198.31	15	1.00	GFA77		1.5kW						
7.4	1343	188.40	15	1.05	GFAF77	4P	0.58	22264	2411	82	0.80		
8.4	1187	166.47	16	1.20	GF77		0.64	20048	2171	90	0.90		
9.8	1014	142.27	17	1.40	GFF77		0.72	17915	1940	97	1.00		
11	930	130.42	17	1.55			0.86	14988	1623	102	1.15	GFA157R97	
12	816	114.45	18	1.75	GFA77		1.1	11700	1267	109	1.50	GFAF157R97	4P
13	773	108.46	18	1.85	GFAF77	4P	1.2	10463	1133	111	1.65	GF157R97	
15	677	94.93	18	2.10	GF77		1.5	8523	923	113	2.05	GFF157R97	
16	610	85.52	18	2.30	GFF77		1.7	7563	819	114	2.30		
19	535	75.02	19	2.70			3.1	4119	446	114	4.35		
							4.7	2743	297	114	6.35		

选型参数表
(恒功率)

Selection Table
(Constant Power)

n_a [r/min]	M_a [Nm]	i	F_{ra} [kN]	f_B	机型号 Type size	极数 Pole	n_a [r/min]	M_a [Nm]	i	F_{ra} [kN]	f_B	机型号 Type size	极数 Pole
1.5kW							1.5kW						
0.87	14812	1604	81	0.80			38	358	36.85	19	3.00	GFA77 GFAF77	4P
1.0	12910	1398	85	0.95			44	306	31.51	19	4.30	GF77 GFF77	
1.1	11331	1227	86	1.05	GFA127R77	4P	15	881	90.59	8.8	0.90		4P
1.3	9973	1080	86	1.20	GFAF127R77		18	775	79.76	10	1.00		
1.5	8477	918	86	1.40	GF127R77		21	658	67.65	11	1.20	GFA67	
1.7	7480	810	86	1.60	GFF127R77		23	594	61.07	11	1.30	GFAF67	
1.9	6630	718	86	1.80				26	522	53.73	12	1.50	
2.2	5901	639	86	2.05			28	493	50.74	12	1.60	GFF67	
1.5	8828	956	45	0.90		4P	32	420	43.20	12	1.85		4P
1.7	7748	839	47	1.00			36	382	39.26	12	1.95		
1.9	6834	740	50	1.15	GFA107R77		39	353	36.30	12	2.20	GFA67	
2.2	5947	644	52	1.30	GFAF107R77		44	312	32.08	12	2.50	GFAF67	
2.5	5217	565	53	1.50	GF107R77		51	266	27.41	12	2.90	GF67	
2.8	4543	492	55	1.75	GFF107R77	56	244	25.13	12	3.20	GFF67		
3.2	4045	438	55	1.95			24	573	58.97	8.7	1.00		4P
3.8	3435	372	57	2.30			28	487	50.10	9.4	1.20	GFA57	
2.6	4885	529	19	0.90	GFA97R57	31	435	44.73	9.5	1.30	GFAF57		
3.0	4313	467	28	1.00	GFAF97R57	37	371	38.21	9.3	1.55	GF57		
3.4	3749	406	30	1.15	GF97R57	39	348	35.79	9.1	1.65	GFF57		
3.9	3352	363	31	1.30	GFF97R57	46	293	30.15	8.8	1.95			
4.1	3186	345	11	0.95	GFA87R57	4P	33	417	42.86	0.5	0.90	GFA47	4P
4.7	2770	300	23	1.10	GF87R57		38	356	36.61	6.0	1.10	GFAF47	
5.6	2299	249	24	1.30	GFF87R57		41	333	34.29	6.3	1.15	GF47	
2.7	5099	254.81	53	1.50	GFA107	8P	48	281	28.88	6.2	1.35	GFF47	4P
3.2	4317	215.69	55	1.75	GFAF107		45	300	30.86	6.2	1.30		
3.4	3995	199.64	55	1.90	GF107		48	285	29.32	6.2	1.35		
3.8	3581	178.93	56	2.10	GFF107	6P	54	250	25.72	6.1	1.55	GFA47	4P
3.7	3689	254.81	56	1.95	GFA107		64	212	21.82	5.9	1.80	GFAF47	
4.4	3123	215.69	57	2.30	GFAF107		71	191	19.70	5.8	2.00	GF47	
4.7	2890	199.64	57	2.50	GF107	6P	81	168	17.33	5.7	2.30	GFF47	4P
5.3	2590	178.93	58	2.80	GFF107		86	159	16.36	5.6	2.40		
3.4	4007	276.77	28	1.00	GFA97		101	135	13.93	5.4	2.80		
3.7	3669	253.41	29	1.10	GFAF97	6P	68	200	20.57	3.2	0.95		
4.2	3241	223.88	30	1.25	GF97		73	187	19.27	3.2	1.00		
4.9	2750	189.92	32	1.45	GFF97		82	166	17.03	3.2	1.15		
5.4	2532	174.87	32	1.60			98	139	14.33	3.2	1.35		
5.1	2690	276.77	32	1.55	GFA97	4P	109	125	12.87	3.1	1.55		
5.5	2463	253.41	33	1.65	GFAF97		126	108	11.08	3.1	1.70	GFA37	
6.3	2176	223.88	33	1.90	GF97		134	101	10.42	3.1	1.75	GFAF37	
7.4	1846	189.92	34	2.20	GFF97	4P	156	87	8.97	3.0	1.90	GF37	
8.0	1700	174.87	34	2.40				175	78	8.01	2.9	2.10	GFF37
5.2	2631	270.68	23	1.10	GFA87		208	66	6.74	2.8	2.00		
5.5	2482	255.37	23	1.15	GFAF87	4P	231	59	6.05	2.7	2.20		
6.1	2225	228.93	24	1.30	GF87		269	51	5.21	2.6	2.40		
7.1	1917	197.20	25	1.50	GFF87		286	48	4.90	2.6	2.40		
7.8	1749	179.97	26	1.65	GFA87	4P	332	41	4.22	2.5	2.60		
8.8	1551	159.61	26	1.85	GFAF87		371	37	3.77	2.4	2.70		
10	1304	134.16	27	2.20	GF87		2.2kW						
13	1064	109.49	27	2.70	GFF87	4P	1.02	18511	1396	93	0.95	GFA157R97 GFAF157R97 GF157R97 GFF157R97	
14	952	97.89	28	3.00				1.1	16800	1267	96	1.05	
8.4	1618	166.47	14	0.90	GFA77		1.3	15023	1133	101	1.15		
9.8	1383	142.27	15	1.05	GFAF77	4P	1.5	12239	923	107	1.40		
11	1268	130.42	16	1.15	GF77		1.7	10860	819	110	1.60		
12	1113	114.45	17	1.30	GFF77		1.9	9812	740	111	1.75	GFA157R97	
13	1054	108.46	17	1.35			2.2	8778	662	113	1.95	GFAF157R97	
15	923	94.93	17	1.55			2.5	7439	561	114	2.30	GF157R97	
16	831	85.52	18	1.75			3.2	5914	446	114	3.00	GFF157R97	
19	729	75.02	18	1.95	GFA77	4P	4.8	3938	297	114	4.40		
19	705	72.50	18	2.00	GFAF77		5.3	3554	268	114	4.85		
21	646	66.46	18	2.20	GF77		6.3	3010	227	114	5.70		
24	567	58.32	19	2.50	GFF77	4P	7.3	2599	196	114	6.90		
25	537	55.27	19	2.70									
29	470	48.37	19	3.00									
32	424	43.58	19	3.40									
37	372	38.23	19	3.90									

选型参数表
(恒功率)

Selection Table
(Constant Power)

n_a [r/min]	M_a [Nm]	i	F_{ra} [kN]	f_B	机型号 Type size	极数 Pole	n_a [r/min]	M_a [Nm]	i	F_{ra} [kN]	f_B	机型号 Type size	极数 Pole
2.2kW							2.2kW						
1.3	14321	1080	81	0.85			19	1047	75.02	17	1.35		
1.6	12173	918	85	1.00			22	928	66.46	17	1.50	GFA77	
1.8	10740	810	86	1.10	GFA127R77		25	814	58.32	18	1.75	GFAF77	4P
2.0	9521	718	86	1.25	GFAF127R77	4P	26	771	55.27	18	1.80	GF77	
2.2	8473	639	86	1.40	GF127R77		30	675	48.37	18	2.10	GFF77	
2.6	7280	549	86	1.65	GFF127R77		33	608	43.58	18	2.30		
2.9	6564	495	86	1.80			39	511	36.58	19	2.00	GFA77	
3.3	5728	432	86	2.10			45	440	31.51	19	2.90	GFAF77	4P
2.2	8539	644	45	0.90			50	401	28.75	19	3.30	GF77	
2.5	7492	565	48	1.05	GFA107R77		56	356	25.50	19	4.00	GFF77	
2.9	6524	492	50	1.20	GFAF107R77	4P	23	852	61.07	8.9	0.90		
3.3	5808	438	51	1.35	GF107R77		27	750	53.73	10	1.00	GFA67	
3.8	4933	372	53	1.60	GFF107R77		28	708	50.74	10	1.10	GFAF67	4P
4.3	4442	335	54	1.75			33	603	43.20	11	1.25	GF67	
3.9	4813	363	16	0.90	GFA97R57		36	548	39.26	11	1.35	GFF67	
5.0	3779	285	30	1.15	GFAF97R57	4P	42	475	34.01	12	1.45		
5.8	3249	245	31	1.30	GF97R57		45	448	32.08	12	1.70		
					GFF97R57		52	383	27.41	12	2.00	GFA67	
2.8	7163	254.81	47	1.00	GFA107		57	351	25.13	12	2.20	GFAF67	4P
3.3	6063	215.69	50	1.20	GFAF107		65	308	22.05	12	2.50	GF67	
3.6	5612	199.64	51	1.30	GF107	8P	68	292	20.90	12	2.60	GFF67	
4.0	5030	178.93	53	1.45	GFF107		78	255	18.29	12	3.00		
3.7	5411	254.81	52	1.35	GFA107		32	624	44.73	4.3	0.90	GFA57	
4.4	4580	215.69	54	1.60	GFAF107		37	533	38.21	8.2	1.05	GFAF57	4P
4.7	4239	199.64	55	1.70	GF107	6P	40	500	35.79	8.2	1.15	GF57	
5.3	3799	178.93	55	1.90	GFF107		47	421	30.15	8.0	1.30	GFF57	
5.6	3557	254.81	56	2.00	GFA107		57	348	24.96	7.8	1.55	GFA57	
6.6	3011	215.69	57	2.40	GFAF107	4P	68	295	21.17	7.6	1.90	GFAF57	
7.2	2787	199.64	57	2.60	GF107		75	267	19.11	7.5	2.10	GF57	4P
8.0	2497	178.93	58	2.90	GFF107		85	235	16.81	7.3	2.40	GFF57	
4.2	4754	223.88	12	0.85	GFA97		90	222	15.88	7.2	2.50		
4.9	4033	189.92	29	1.00	GFAF97		56	359	25.72	5.3	1.05		
5.4	3713	174.87	29	1.10	GF97	6P	66	305	21.82	5.2	1.25		
6.0	3319	156.30	30	1.25	GFF97		73	275	19.70	5.2	1.35		
5.2	3863	276.77	29	1.05			83	242	17.33	5.1	1.55	GFA47	
5.6	3537	253.41	30	1.15			87	228	16.36	5.1	1.65	GFAF47	4P
6.4	3125	223.88	31	1.30			103	194	13.93	5.0	1.95	GF47	
7.5	2651	189.92	32	1.50	GFA97		113	177	12.66	4.9	2.10	GFF47	
8.2	2441	174.87	32	1.65	GFAF97	4P	130	153	10.97	4.8	2.50		
9.1	2182	156.30	33	1.85	GF97		160	125	8.96	4.5	2.50		
10	1964	140.71	33	2.00	GFF97		100	200	14.33	2.7	0.95		
11	1778	127.42	34	2.30			111	180	12.87	2.7	1.05		
13	1577	112.99	34	2.60			129	155	11.08	2.7	1.15		
14	1426	102.16	34	2.80			137	145	10.42	2.7	1.20		
7.3	2752	197.20	21	1.00			159	125	8.97	2.7	1.30	GFA37	
7.9	2512	179.97	23	1.10			179	112	8.01	2.6	1.40	GFAF37	4P
9.0	2228	159.61	24	1.25			212	94	6.74	2.5	1.40	GF37	
11	1873	134.16	25	1.50			236	84	6.05	2.5	1.50	GFF37	
12	1721	123.29	26	1.65			274	73	5.21	2.4	1.60		
13	1528	109.49	26	1.85	GFA87		292	68	4.90	2.4	1.65		
15	1366	97.89	27	2.10	GFAF87	4P	339	59	4.22	2.3	1.75		
16	1228	88.01	27	2.30	GF87		379	53	3.77	2.3	1.85		
19	1066	76.39	26	2.60	GFF87		3.0kW						
21	955	68.40	26	2.90			1.3	21565	1133	83	0.85		
25	792	56.75	25	3.50			1.5	17568	923	96	1.05		
28	703	50.36	24	3.90			1.7	15588	819	101	1.15		
32	632	45.28	23	4.20			1.9	14085	740	105	1.30	GFA157R97	
12	1597	114.45	13	0.90	GFA77		2.2	12600	662	108	1.45	GFAF157R97	4P
13	1514	108.46	14	0.95	GFAF77	4P	2.5	10678	561	111	1.70	GF157R97	
15	1325	94.93	15	1.05	GF77		3.2	8489	446	114	2.20	GFF157R97	
17	1194	85.52	16	1.20	GFF77		4.8	5653	297	114	3.20		
							5.3	5101	268	114	3.55		
							6.3	4321	227	114	4.20		
							7.3	3731	196	114	5.05		

选型参数表
(恒功率)

Selection Table
(Constant Power)

n_a [r/min]	M_a [Nm]	i	F_{ra} [kN]	f_B	机型号 Type size	极数 Pole	n_a [r/min]	M_a [Nm]	i	F_{ra} [kN]	f_B	机型号 Type size	极数 Pole
3.0kW							3.0kW						
2.0	13666	718	83	0.90	GFA127R77	4P	68	398	20.90	12	1.90	GFA67	4P
2.2	12162	639	86	1.05	GFAF127R77		78	348	18.29	12	2.20	GFAF67	
2.6	10449	549	86	1.20	GF127R77		87	314	16.48	12	2.40	GF67	
2.9	9421	495	86	1.35	GFF127R77		99	275	14.46	12	2.80	GFF67	
3.3	8337	438	46	1.00	GFA107R77	4P	57	475	24.96	7.1	1.15	GFA57 GFAF57 GF57 GFF57	4P
3.8	7080	372	49	1.15	GFAF107R77		68	403	21.17	7.0	1.40		
4.3	6376	335	51	1.30	GF107R77		75	364	19.11	6.9	1.55		
4.9	5558	292	53	1.45	GFF107R77		85	320	16.81	6.8	1.75		
3.8	7224	254.81	47	1.00	GFA107	6P	90	302	15.88	6.7	1.85	GFA57 GFAF57 GF57 GFF57	4P
4.5	6115	215.69	50	1.15	GFAF107		106	257	13.52	6.5	2.20		
4.8	5660	199.64	51	1.25	GF107		116	234	12.29	6.4	2.40		
5.4	5073	178.93	53	1.40	GFF107		134	203	10.64	6.3	2.80		
5.6	4850	254.81	53	1.50	GFA107 GFAF107 GF107 GFF107	4P	73	375	19.70	4.5	1.00	GFA47 GFAF47 GF47 GFF47	4P
6.6	4105	215.69	55	1.75			83	330	17.33	4.5	1.15		
7.2	3800	199.64	55	1.90			87	311	16.36	4.5	1.20		
8.0	3406	178.93	56	2.10			103	265	13.93	4.5	1.40		
8.9	3075	161.54	57	2.30	GFA97 GFAF97 GF97 GFF97	4P	113	241	12.66	4.5	1.55	GFA37 GFAF37 GF37 GFF37	4P
9.7	2793	146.72	57	2.50			130	209	10.97	4.4	1.80		
11	2478	130.18	57	2.80			160	171	8.96	4.2	1.80		
12	2248	118.13	57	3.00			129	211	11.08	2.2	0.85		
6.4	4261	223.88	28	0.95	GFA97 GFAF97 GF97 GFF97	4P	137	198	10.42	2.2	0.85	GFA37 GFAF37 GF37 GFF37	4P
7.5	3615	189.92	30	1.10			159	171	8.97	2.3	0.95		
8.2	3328	174.87	30	1.20			179	152	8.01	2.3	1.05		
9.1	2975	156.30	31	1.35			212	128	6.74	2.2	1.00		
10	2678	140.71	32	1.50	GFA87 GFAF87 GF87 GFF87	4P	236	115	6.05	2.2	1.10	GFA157R97 GFAF157R97 GF157R97 GFF157R97	4P
11	2425	127.42	32	1.65			274	99	5.21	2.2	1.15		
13	2151	112.99	33	1.85			292	93	4.90	2.2	1.20		
14	1944	102.16	33	2.10			339	80	4.22	2.1	1.25		
16	1710	89.85	34	2.30	379	72	3.77	2.1	1.35				
11	2553	134.16	23	1.10	GFA87	4P	4.0kW						
12	2347	123.29	23	1.20	GFAF87		1.8	19608	819	87	0.90	GFA157R97 GFAF157R97 GF157R97 GFF157R97	4P
13	2084	109.49	24	1.35	GF87		1.9	17717	740	93	1.00		
					GFF87		2.2	15849	662	99	1.10		
15	1863	97.89	25	1.50	GFA87 GFAF87 GF87 GFF87	4P	2.6	13431	561	105	1.30		
16	1675	88.01	26	1.65			3.2	10678	446	110	1.70		
19	1454	76.39	25	1.90			4.8	7111	297	114	2.45		
21	1302	68.40	24	2.10			5.4	6416	268	114	2.70		
25	1080	56.75	24	2.60	GFA77 GFAF77 GF77 GFF77	4P	6.3	5435	227	114	3.20	GFA127R77 GFAF127R77 GF127R77 GFF127R77	4P
28	959	50.36	23	2.80			7.3	4692	196	114	3.85		
32	862	45.28	23	3.10			2.6	13144	549	83	0.90		
17	1628	85.52	13	0.85			GFA77	2.9	11851	495	86		
19	1428	75.02	15	1.00	GFAF77	4P	3.3	10343	432	86	1.15	GFA107R77 GFAF107R77 GF107R77 GFF107R77	4P
22	1265	66.46	16	1.10	GF77		3.8	9074	379	86	1.30		
25	1110	58.32	17	1.25	GFF77		4.3	8020	335	46	1.00		
26	1052	55.27	17	1.35	GFA77		4.9	6991	292	49	1.10		
30	921	48.37	17	1.50	GFAF77	4P	5.6	6129	256	51	1.30	GFA127 GFAF127 GF127 GFF127	8P
33	829	43.58	18	1.70	GF77		4.2	8654	171.70	86	1.30		
37	728	38.23	18	1.90	GFF77		4.7	7768	154.12	86	1.45		
39	696	36.58	18	1.50	GFA77		5.7	6392	126.82	86	1.80		
45	600	31.51	18	2.10	GFAF77	4P	5.7	6422	254.81	49	1.10	GFA107 GFAF107 GF107 GFF107	4P
50	547	28.75	19	2.40	GF77		6.7	5436	215.69	52	1.35		
56	485	25.50	19	2.90	GFF77		7.2	5031	199.64	53	1.45		
67	408	21.43	19	3.40	GFA67 GFAF67 GF67 GFF67		4P	8.0	4509	178.93	54		
33	822	43.20	9	0.95		GFA67		8.9	4071	161.54	55	1.75	
36	747	39.26	10	0.95		GFAF67		9.8	3698	146.72	56	1.95	
42	647	34.01	11	1.05		GF67		11	3281	130.18	56	2.20	
					GFF67	4P	12	2977	118.13	57	2.40	GFA67 GFAF67 GF67 GFF67	4P
45	611	32.08	11	1.25	GFA67		14	2559	101.54	58	2.80		
52	522	27.41	11	1.45	GFAF67		15	2344	93.00	58	3.00		
57	478	25.13	12	1.60	GF67								
65	420	22.05	12	1.80	GFF67								

选型参数表
(恒功率)

Selection Table
(Constant Power)

n_a [r/min]	M_a [Nm]	i	F_{ra} [kN]	f_B	机型号 Type size	极数 Pole	n_a [r/min]	M_a [Nm]	i	F_{ra} [kN]	f_B	机型号 Type size	极数 Pole																																																																																																																																																																																																																																																																																																																																																																																																																																																																																																																																																																																																																																
4.0kW							4.0kW																																																																																																																																																																																																																																																																																																																																																																																																																																																																																																																																																																																																																																						
8.2	4407	174.87	25	0.90	GFA97	4P	107	341	13.52	6.0	1.65	GFA57 GFAF57 GF57 GFF57	4P																																																																																																																																																																																																																																																																																																																																																																																																																																																																																																																																																																																																																																
9.2	3939	156.30	29	1.00	GFAF97		10	3546	140.71	30	1.15			GF97	11	3211	127.42	31	1.25	GFF97	13	2848	112.99	32	1.40	GFA97 GFAF97 GF97 GFF97	4P	176	206	8.19	5.4	1.90	GFA157R97 GFAF157R97 GF157R97 GFF157R97	4P	14	2575	102.16	32	1.55	15	2459	97.58	32	1.65	16	2264	89.85	33	1.80	18	2024	80.31	33	2.00	20	1822	72.29	34	2.20	22	1650	65.47	34	2.40	GFA87 GFAF87 GF87 GFF87	4P	2.6	18468	561	91	0.95	25	1463	58.06	34	2.70	2.9	16558	503	98	1.10	13	2759	109.49	21	1.00	3.2	14682	446	103	1.25	15	2467	97.89	23	1.15	GFA87 GFAF87 GF87 GFF87	4P	4.2	11390	346	109	1.55	GFA127R87 GFAF127R87 GF127R87 GFF127R87	4P	16	2218	88.01	23	1.25	19	1925	76.39	23	1.45	4.8	9777	297	111	1.80	21	1724	68.40	23	1.65	5.4	8822	268	112	1.95	25	1430	56.75	22	1.95	GFA87 GFAF87 GF87 GFF87	4P	6.3	7473	227	114	2.30	29	1269	50.36	22	2.20	7.3	6518	198	114	2.65	32	1141	45.28	21	2.30	7.3	6452	196	114	2.80	37	990	39.30	21	2.60	3.4	14024	426	82	0.85	41	887	35.19	21	2.90	3.8	12542	381	85	0.95	GFA127R77 GFAF127R77 GF127R77 GFF127R77	4P	49	736	29.20	21	3.50	4.6	10304	313	86	1.15	22	1675	66.46	13	0.85	GFA77 GFAF77 GF77 GFF77	4P	4.9	9728	296	86	1.25	25	1470	58.32	14	0.95	5.5	8559	260	86	1.40	26	1393	55.27	15	1.00	6.4	7407	225	86	1.60	30	1219	48.37	16	1.15	GFA77 GFAF77 GF77 GFF77	4P	3.3	14221	432	81	0.85	GFA157 GFAF157 GF157 GFF157	8P	33	1098	43.58	17	1.30	3.8	12476	379	85	0.95	38	963	38.23	17	1.45	2.7	18561	267.82	90	0.90	43	850	33.74	18	1.65	3.3	15006	216.53	100	1.10	48	754	29.91	18	1.85	4.1	12160	175.46	106	1.35	56	644	25.54	18	2.10	4.4	11242	162.21	108	1.50	46	794	31.51	18	1.65	GFA77 GFAF77 GF77 GFF77	4P	5.1	9831	141.86	111	1.70	50	725	28.75	18	1.85	6.0	8280	119.47	112	1.90	56	643	25.50	18	2.20	6.7	7471	107.80	114	2.20	67	540	21.43	19	2.60	7.5	6677	96.35	114	2.50	73	496	19.70	19	2.80	8.7	5712	82.42	114	2.80	82	441	17.49	19	3.10	9.5	5280	76.19	114	3.10	92	394	15.64	19	3.50	11	4618	66.63	114	3.60	53	691	27.41	10	1.10	GFA77 GFAF77 GF77 GFF77	4P	4.2	11899	171.70	85	0.95	GFA127 GFAF127 GF127 GFF127	8P	57	633	25.13	11	1.20	4.7	10681	154.12	86	1.05	65	556	22.05	11	1.40	5.7	8678	125.22	86	1.30	69	527	20.90	11	1.45	6.3	7912	114.16	86	1.40	79	461	18.29	12	1.65	6.7	7474	215.69	47	0.95	87	415	16.48	12	1.85	7.2	6918	199.64	48	1.05	100	364	14.46	12	2.10	8.0	6200	178.93	50	1.15	113	322	12.76	12	2.40	GFA67 GFAF67 GF67 GFF67	4P	8.9	5598	161.54	51	1.30	127	285	11.31	12	2.70	9.8	5084	146.72	53	1.45	149	243	9.66	12	3.20	11	4511	130.18	54	1.60	159	229	9.08	12	2.20	12	4093	118.13	55	1.75	167	217	8.60	12	2.50	14	3519	101.54	56	2.10	191	190	7.53	12	3.00	15	3223	93.00	57	2.30	212	171	6.78	11	3.40	16	3071	88.63	57	2.40	242	150	5.95	11	3.80	17	2927	84.47	57	2.50	274	132	5.25	11	4.20	19	2597	74.95	57	2.80	309	117	4.66	10	4.50	21	2357	68.01	57	3.00	363	100	3.97	10	4.70	11	4415	127.42	26	0.90	GFA97 GFAF97 GF97 GFF97	4P	68	534	21.17	6.2	1.05	13	3915	112.99	29	1.05	75	482	19.11	6.2	1.15	14	3540	102.16	30	1.15	86	424	16.81	6.1	1.35	91	400	15.88	6.1	1.40																																									
10	3546	140.71	30	1.15	GF97		11	3211	127.42	31	1.25			GFF97	13	2848	112.99	32	1.40	GFA97 GFAF97 GF97 GFF97	4P	176	206	8.19	5.4			1.90	GFA157R97 GFAF157R97 GF157R97 GFF157R97	4P	14	2575			102.16	32	1.55	15	2459	97.58	32	1.65	16	2264	89.85	33	1.80	18	2024	80.31	33	2.00	20	1822	72.29	34	2.20	22	1650	65.47	34	2.40	GFA87 GFAF87 GF87 GFF87	4P			2.6	18468	561	91	0.95	25	1463	58.06	34	2.70	2.9	16558	503	98	1.10	13	2759	109.49	21	1.00	3.2	14682	446	103	1.25	15	2467	97.89	23	1.15			GFA87 GFAF87 GF87 GFF87	4P	4.2	11390	346			109	1.55	GFA127R87 GFAF127R87 GF127R87 GFF127R87	4P	16	2218	88.01	23	1.25	19	1925	76.39	23	1.45	4.8	9777	297	111	1.80	21	1724	68.40	23	1.65	5.4	8822	268	112	1.95	25			1430	56.75	22	1.95	GFA87 GFAF87 GF87 GFF87	4P	6.3	7473	227	114	2.30	29	1269	50.36	22	2.20	7.3	6518	198	114	2.65	32	1141	45.28	21	2.30	7.3	6452	196	114	2.80	37	990	39.30	21	2.60	3.4	14024	426	82	0.85	41	887	35.19	21			2.90	3.8	12542	381	85	0.95	GFA127R77 GFAF127R77 GF127R77 GFF127R77	4P	49	736	29.20	21	3.50	4.6	10304			313	86	1.15	22	1675	66.46	13	0.85	GFA77 GFAF77 GF77 GFF77	4P	4.9	9728	296	86	1.25	25	1470	58.32	14	0.95	5.5	8559	260	86	1.40	26	1393	55.27	15	1.00			6.4	7407	225	86	1.60			30	1219	48.37	16	1.15	GFA77 GFAF77 GF77 GFF77	4P	3.3	14221	432	81	0.85	GFA157 GFAF157 GF157 GFF157	8P	33	1098	43.58	17	1.30	3.8	12476	379	85	0.95	38	963	38.23	17	1.45	2.7	18561	267.82	90	0.90	43	850	33.74	18	1.65	3.3	15006	216.53	100	1.10	48	754	29.91	18	1.85	4.1	12160	175.46	106	1.35	56			644	25.54	18	2.10	4.4	11242	162.21	108	1.50	46	794	31.51	18	1.65	GFA77 GFAF77 GF77 GFF77	4P	5.1	9831	141.86	111	1.70	50	725	28.75	18	1.85	6.0	8280	119.47	112	1.90	56	643	25.50	18	2.20	6.7	7471	107.80	114	2.20	67	540	21.43	19	2.60	7.5	6677	96.35	114	2.50	73	496	19.70	19	2.80	8.7	5712	82.42	114	2.80	82	441	17.49	19	3.10	9.5	5280	76.19	114			3.10	92	394	15.64	19			3.50	11	4618	66.63	114	3.60	53	691	27.41	10	1.10	GFA77 GFAF77 GF77 GFF77	4P	4.2	11899	171.70	85	0.95	GFA127 GFAF127 GF127 GFF127	8P	57	633	25.13	11	1.20	4.7	10681	154.12	86	1.05	65	556	22.05	11	1.40	5.7	8678	125.22	86	1.30	69	527	20.90	11	1.45	6.3	7912	114.16	86	1.40	79	461	18.29	12	1.65	6.7	7474	215.69	47	0.95	87	415	16.48	12	1.85			7.2	6918	199.64	48	1.05	100	364	14.46	12	2.10	8.0	6200	178.93	50	1.15	113	322	12.76	12	2.40	GFA67 GFAF67 GF67 GFF67	4P	8.9	5598	161.54	51	1.30	127	285	11.31	12	2.70	9.8	5084	146.72	53	1.45	149	243	9.66	12	3.20	11	4511	130.18	54	1.60	159	229	9.08	12	2.20	12	4093	118.13	55	1.75	167	217	8.60	12	2.50	14	3519	101.54	56	2.10	191	190	7.53	12	3.00	15	3223	93.00	57	2.30	212	171	6.78	11	3.40	16	3071	88.63	57	2.40	242	150	5.95	11	3.80	17	2927	84.47	57	2.50	274	132	5.25	11	4.20	19	2597	74.95			57	2.80	309	117	4.66	10	4.50	21	2357	68.01	57	3.00	363	100	3.97	10	4.70	11	4415	127.42	26	0.90	GFA97 GFAF97 GF97 GFF97	4P	68	534	21.17	6.2	1.05	13	3915	112.99	29	1.05	75	482	19.11	6.2	1.15	14	3540	102.16	30	1.15	86	424	16.81	6.1	1.35	91	400	15.88	6.1	1.40																	
11	3211	127.42	31	1.25	GFF97		13	2848	112.99	32	1.40			GFA97 GFAF97 GF97 GFF97	4P	176	206	8.19	5.4			1.90	GFA157R97 GFAF157R97 GF157R97 GFF157R97	4P	14			2575			102.16	32			1.55	15	2459	97.58	32	1.65	16	2264	89.85	33	1.80	18	2024	80.31	33	2.00	20	1822	72.29	34	2.20	22	1650	65.47	34	2.40	GFA87 GFAF87 GF87 GFF87	4P					2.6	18468	561	91	0.95	25	1463	58.06	34	2.70	2.9	16558	503	98	1.10	13	2759	109.49	21	1.00	3.2	14682	446	103	1.25	15	2467	97.89	23	1.15					GFA87 GFAF87 GF87 GFF87	4P	4.2			11390	346			109	1.55	GFA127R87 GFAF127R87 GF127R87 GFF127R87	4P	16	2218	88.01	23	1.25	19	1925	76.39	23	1.45	4.8	9777	297	111	1.80	21	1724	68.40	23	1.65	5.4	8822			268	112	1.95	25			1430	56.75	22	1.95	GFA87 GFAF87 GF87 GFF87	4P	6.3	7473	227	114	2.30	29	1269	50.36	22	2.20	7.3	6518	198	114	2.65	32	1141	45.28	21	2.30	7.3	6452	196	114	2.80	37	990	39.30	21	2.60	3.4	14024	426			82	0.85	41	887	35.19	21			2.90	3.8	12542	381	85	0.95	GFA127R77 GFAF127R77 GF127R77 GFF127R77			4P	49	736	29.20	21	3.50	4.6	10304			313	86	1.15	22	1675	66.46	13	0.85	GFA77 GFAF77 GF77 GFF77	4P	4.9	9728	296	86	1.25	25	1470	58.32	14	0.95			5.5	8559	260	86	1.40			26	1393	55.27	15	1.00			6.4	7407	225	86	1.60			30	1219	48.37	16	1.15	GFA77 GFAF77 GF77 GFF77	4P	3.3	14221	432	81	0.85	GFA157 GFAF157 GF157 GFF157	8P	33	1098	43.58	17	1.30	3.8	12476	379	85	0.95	38	963	38.23	17	1.45	2.7	18561	267.82	90	0.90	43	850	33.74	18	1.65	3.3	15006			216.53	100	1.10	48	754	29.91	18	1.85	4.1	12160	175.46	106	1.35	56			644	25.54	18	2.10	4.4	11242	162.21	108	1.50	46	794	31.51	18	1.65	GFA77 GFAF77 GF77 GFF77	4P	5.1	9831	141.86	111	1.70	50	725	28.75	18	1.85	6.0	8280	119.47	112	1.90	56	643	25.50	18	2.20	6.7	7471	107.80	114	2.20	67	540	21.43	19	2.60	7.5	6677	96.35	114	2.50	73	496	19.70			19	2.80	8.7	5712	82.42			114	2.80	82	441	17.49	19	3.10	9.5	5280	76.19	114			3.10	92	394	15.64	19			3.50	11	4618	66.63	114	3.60	53	691	27.41	10	1.10	GFA77 GFAF77 GF77 GFF77	4P	4.2	11899	171.70	85	0.95	GFA127 GFAF127 GF127 GFF127	8P	57	633	25.13	11	1.20	4.7	10681	154.12	86	1.05	65	556	22.05	11	1.40	5.7	8678	125.22	86	1.30	69	527	20.90	11	1.45			6.3	7912	114.16	86	1.40	79	461	18.29	12	1.65	6.7	7474	215.69	47	0.95	87	415	16.48	12	1.85			7.2	6918	199.64	48	1.05	100	364	14.46	12	2.10	8.0	6200	178.93	50	1.15	113	322	12.76	12	2.40	GFA67 GFAF67 GF67 GFF67	4P	8.9	5598	161.54	51	1.30	127	285	11.31	12	2.70	9.8	5084	146.72	53	1.45	149	243	9.66	12	3.20	11	4511	130.18	54	1.60	159	229	9.08	12	2.20	12	4093	118.13	55	1.75	167	217	8.60	12	2.50	14	3519	101.54	56	2.10	191	190	7.53	12	3.00	15	3223	93.00	57	2.30	212	171	6.78	11	3.40	16			3071	88.63	57	2.40	242	150	5.95	11	3.80	17	2927	84.47	57	2.50	274	132	5.25	11	4.20	19	2597	74.95			57	2.80	309	117	4.66	10	4.50	21	2357	68.01	57	3.00	363	100	3.97	10	4.70	11	4415	127.42	26	0.90	GFA97 GFAF97 GF97 GFF97	4P	68	534	21.17	6.2	1.05	13	3915	112.99	29	1.05	75	482	19.11	6.2	1.15	14	3540	102.16	30	1.15	86	424	16.81
13	2848	112.99	32	1.40	GFA97 GFAF97 GF97 GFF97	4P	176	206	8.19	5.4	1.90	GFA157R97 GFAF157R97 GF157R97 GFF157R97	4P																																																																																																																																																																																																																																																																																																																																																																																																																																																																																																																																																																																																																																
14	2575	102.16	32	1.55			15	2459	97.58	32	1.65					16	2264	89.85	33			1.80			18			2024			80.31	33			2.00	20	1822	72.29	34	2.20	22	1650	65.47	34	2.40	GFA87 GFAF87 GF87 GFF87	4P	2.6	18468	561	91	0.95	25	1463	58.06	34	2.70	2.9	16558	503			98	1.10	13	2759	109.49	21	1.00	3.2	14682	446	103	1.25	15	2467	97.89	23	1.15	GFA87 GFAF87 GF87 GFF87	4P	4.2	11390	346	109	1.55	GFA127R87 GFAF127R87 GF127R87 GFF127R87	4P	16	2218	88.01	23	1.25	19	1925	76.39	23	1.45					4.8	9777	297	111	1.80			21	1724			68.40	23	1.65	5.4	8822	268	112	1.95	25	1430	56.75	22	1.95	GFA87 GFAF87 GF87 GFF87	4P	6.3	7473	227	114	2.30	29	1269			50.36	22	2.20	7.3			6518	198	114	2.65			32	1141	45.28	21	2.30	7.3	6452	196	114	2.80	37	990	39.30	21	2.60	3.4	14024	426	82	0.85	41	887	35.19	21	2.90	3.8	12542	381	85	0.95	GFA127R77 GFAF127R77 GF127R77 GFF127R77	4P	49	736	29.20	21	3.50	4.6	10304	313	86			1.15	22	1675	66.46	13	0.85		GFA77 GFAF77 GF77 GFF77	4P		4.9	9728	296	86	1.25	25	1470	58.32	14	0.95	5.5	8559	260	86	1.40	26	1393			55.27	15	1.00	6.4	7407	225	86	1.60	30	1219			48.37	16	1.15	GFA77 GFAF77 GF77 GFF77	4P			3.3	14221	432	81	0.85			GFA157 GFAF157 GF157 GFF157	8P	33	1098	43.58			17	1.30	3.8	12476	379			85	0.95	38	963	38.23			17	1.45	2.7	18561	267.82	90	0.90	43	850	33.74	18	1.65	3.3	15006	216.53	100	1.10	48	754	29.91	18	1.85	4.1	12160	175.46	106	1.35			56	644	25.54	18	2.10	4.4	11242	162.21	108	1.50	46	794	31.51	18			1.65	GFA77 GFAF77 GF77 GFF77	4P	5.1	9831	141.86	111	1.70	50	725	28.75	18	1.85	6.0			8280	119.47	112	1.90	56	643	25.50	18	2.20	6.7	7471	107.80	114	2.20	67	540	21.43	19	2.60	7.5	6677	96.35	114	2.50	73	496	19.70	19	2.80	8.7	5712	82.42	114	2.80	82	441	17.49	19			3.10	9.5	5280	76.19	114			3.10	92	394	15.64	19	3.50	11	4618	66.63	114	3.60			53	691	27.41	10	1.10			GFA77 GFAF77 GF77 GFF77	4P	4.2	11899	171.70	85	0.95	GFA127 GFAF127 GF127 GFF127	8P	57	633			25.13	11	1.20	4.7	10681			154.12	86	1.05	65	556	22.05	11	1.40	5.7	8678	125.22	86	1.30	69	527	20.90	11	1.45	6.3	7912	114.16	86	1.40	79	461			18.29	12	1.65	6.7	7474	215.69	47	0.95	87	415	16.48	12	1.85	7.2	6918	199.64	48	1.05	100	364			14.46	12	2.10	8.0	6200	178.93	50	1.15	113	322	12.76	12	2.40	GFA67 GFAF67 GF67 GFF67	4P	8.9	5598	161.54	51	1.30			127	285	11.31	12	2.70	9.8	5084	146.72	53	1.45	149	243	9.66	12	3.20	11	4511	130.18	54	1.60	159	229	9.08	12	2.20	12	4093	118.13	55	1.75	167	217	8.60	12	2.50	14	3519	101.54	56	2.10	191	190	7.53	12	3.00	15	3223	93.00	57	2.30	212	171	6.78	11	3.40	16	3071	88.63	57	2.40	242	150	5.95	11	3.80	17	2927	84.47	57	2.50	274	132	5.25	11	4.20	19	2597	74.95	57	2.80	309	117	4.66	10	4.50			21	2357	68.01	57	3.00	363	100	3.97	10	4.70	11	4415	127.42	26	0.90	GFA97 GFAF97 GF97 GFF97	4P	68	534	21.17	6.2	1.05			13	3915	112.99	29	1.05	75	482	19.11	6.2	1.15	14	3540	102.16	30	1.15	86	424	16.81	6.1	1.35	91	400	15.88
15	2459	97.58	32	1.65			16	2264	89.85	33	1.80					18	2024	80.31	33			2.00			20			1822			72.29	34			2.20	22	1650	65.47	34	2.40	GFA87 GFAF87 GF87 GFF87	4P	2.6	18468	561			91	0.95	25	1463	58.06	34	2.70	2.9	16558	503	98	1.10	13	2759	109.49	21	1.00	3.2	14682	446	103	1.25	15	2467	97.89	23	1.15	GFA87 GFAF87 GF87 GFF87	4P	4.2	11390	346			109	1.55	GFA127R87 GFAF127R87 GF127R87 GFF127R87	4P	16			2218	88.01	23	1.25	19	1925	76.39	23	1.45	4.8	9777	297			111	1.80	21	1724	68.40	23	1.65	5.4	8822			268	112	1.95	25	1430	56.75	22	1.95	GFA87 GFAF87 GF87 GFF87	4P	6.3	7473	227			114	2.30	29	1269	50.36	22	2.20			7.3	6518	198	114			2.65	32	1141	45.28			21	2.30	7.3	6452	196	114	2.80	37	990	39.30	21	2.60	3.4	14024	426	82	0.85	41	887	35.19	21	2.90	3.8	12542	381	85	0.95	GFA127R77 GFAF127R77 GF127R77 GFF127R77	4P	49			736	29.20	21	3.50	4.6	10304	313	86	1.15	22	1675	66.46	13	0.85	GFA77 GFAF77 GF77 GFF77	4P	4.9					9728	296	86	1.25	25	1470	58.32	14	0.95	5.5	8559	260	86	1.40	26	1393	55.27	15	1.00	6.4	7407	225	86	1.60	30	1219	48.37	16	1.15			GFA77 GFAF77 GF77 GFF77	4P	3.3					14221	432	81	0.85	GFA157 GFAF157 GF157 GFF157					8P	33	1098			43.58	17	1.30	3.8	12476			379	85	0.95	38	963			38.23	17	1.45	2.7	18561	267.82	90	0.90	43	850	33.74	18	1.65	3.3	15006	216.53	100	1.10	48	754	29.91	18	1.85	4.1	12160	175.46	106			1.35	56	644	25.54	18	2.10	4.4	11242	162.21	108	1.50	46	794	31.51			18			1.65	GFA77 GFAF77 GF77 GFF77	4P	5.1	9831	141.86	111	1.70	50	725	28.75			18	1.85	6.0	8280	119.47	112	1.90	56	643	25.50	18	2.20	6.7	7471	107.80	114	2.20	67	540	21.43	19	2.60	7.5	6677	96.35	114	2.50	73	496	19.70	19	2.80	8.7	5712	82.42	114	2.80	82			441	17.49	19	3.10	9.5			5280	76.19	114	3.10	92	394	15.64	19	3.50	11	4618			66.63	114	3.60	53	691					27.41	10	1.10	GFA77 GFAF77 GF77 GFF77	4P			4.2	11899			171.70	85	0.95	GFA127 GFAF127 GF127 GFF127	8P			57	633	25.13	11	1.20	4.7	10681	154.12	86	1.05	65	556	22.05	11	1.40	5.7	8678	125.22	86	1.30	69	527	20.90	11	1.45			6.3	7912	114.16	86	1.40	79	461	18.29	12	1.65	6.7	7474	215.69	47	0.95	87	415	16.48	12	1.85			7.2	6918	199.64	48	1.05	100	364	14.46	12	2.10	8.0	6200	178.93			50	1.15	113	322	12.76			12	2.40	GFA67 GFAF67 GF67 GFF67	4P	8.9	5598	161.54	51	1.30	127	285	11.31	12	2.70	9.8	5084	146.72	53	1.45	149	243	9.66	12	3.20	11	4511	130.18	54	1.60	159	229	9.08	12	2.20	12	4093	118.13	55	1.75	167	217	8.60	12	2.50	14	3519	101.54	56	2.10	191	190	7.53	12	3.00	15	3223	93.00	57	2.30	212	171	6.78	11	3.40	16	3071	88.63	57	2.40	242	150	5.95	11	3.80	17	2927	84.47	57	2.50	274	132	5.25	11	4.20	19	2597	74.95	57	2.80	309	117	4.66	10	4.50	21	2357	68.01	57	3.00	363	100	3.97			10	4.70	11	4415	127.42			26	0.90	GFA97 GFAF97 GF97 GFF97	4P	68	534	21.17	6.2	1.05	13	3915	112.99	29	1.05	75	482	19.11	6.2	1.15	14	3540	102.16	30
16	2264	89.85	33	1.80			18	2024	80.31	33	2.00					20	1822	72.29	34			2.20			22	1650	65.47	34			2.40	GFA87 GFAF87 GF87 GFF87	4P	2.6	18468	561	91	0.95	25	1463			58.06	34	2.70			2.9	16558	503	98	1.10	13	2759	109.49	21	1.00	3.2	14682	446	103	1.25	15	2467	97.89	23	1.15	GFA87 GFAF87 GF87 GFF87	4P	4.2	11390	346	109	1.55			GFA127R87 GFAF127R87 GF127R87 GFF127R87	4P	16			2218	88.01			23			1.25	19	1925	76.39	23	1.45	4.8	9777	297	111	1.80	21	1724	68.40	23	1.65	5.4	8822	268	112	1.95	25	1430	56.75	22	1.95	GFA87 GFAF87 GF87 GFF87	4P	6.3	7473	227	114	2.30			29	1269	50.36			22	2.20	7.3	6518	198	114	2.65	32	1141	45.28	21	2.30	7.3			6452	196	114	2.80			37	990	39.30	21	2.60	3.4	14024	426	82	0.85	41	887	35.19	21	2.90	3.8	12542	381	85	0.95	GFA127R77 GFAF127R77 GF127R77 GFF127R77	4P	49	736	29.20	21	3.50			4.6			10304	313	86	1.15	22	1675	66.46	13	0.85	GFA77 GFAF77 GF77 GFF77	4P	4.9	9728	296			86	1.25			25	1470	58.32	14	0.95	5.5	8559	260	86	1.40	26	1393	55.27	15	1.00	6.4	7407	225	86	1.60	30	1219	48.37	16	1.15	GFA77 GFAF77 GF77 GFF77	4P	3.3	14221	432	81	0.85			GFA157 GFAF157 GF157 GFF157			8P	33	1098	43.58	17	1.30							3.8	12476			379	85	0.95	38	963			38.23	17	1.45	2.7	18561			267.82	90	0.90	43	850	33.74	18	1.65	3.3	15006	216.53	100	1.10	48	754	29.91	18	1.85	4.1	12160	175.46	106	1.35	56	644	25.54	18	2.10	4.4	11242	162.21	108	1.50	46	794	31.51	18	1.65	GFA77 GFAF77 GF77 GFF77	4P	5.1	9831	141.86			111			1.70			50	725	28.75	18	1.85	6.0	8280	119.47			112	1.90	56	643	25.50	18	2.20	6.7	7471	107.80	114	2.20	67	540	21.43	19	2.60	7.5	6677	96.35	114	2.50	73	496	19.70	19	2.80	8.7	5712	82.42	114	2.80	82	441	17.49	19	3.10	9.5	5280	76.19	114	3.10	92	394	15.64	19	3.50	11	4618	66.63	114	3.60	53	691	27.41	10	1.10	GFA77 GFAF77 GF77 GFF77			4P	4.2	11899	171.70	85					0.95	GFA127 GFAF127 GF127 GFF127	8P					57	633			25.13	11	1.20					4.7	10681	154.12	86	1.05	65	556	22.05	11	1.40	5.7	8678	125.22	86	1.30	69	527	20.90	11	1.45	6.3	7912	114.16	86	1.40	79	461	18.29	12	1.65	6.7	7474	215.69	47	0.95	87	415	16.48	12	1.85	7.2	6918	199.64	48	1.05	100	364			14.46	12	2.10	8.0	6200	178.93	50	1.15	113	322	12.76	12	2.40			GFA67 GFAF67 GF67 GFF67	4P	8.9	5598	161.54			51	1.30			127	285	11.31	12	2.70	9.8	5084	146.72	53	1.45	149	243	9.66	12	3.20	11	4511	130.18	54	1.60	159	229	9.08	12	2.20	12	4093	118.13	55	1.75	167	217	8.60	12	2.50	14	3519	101.54	56	2.10	191	190	7.53	12	3.00	15	3223	93.00	57	2.30	212	171	6.78	11	3.40	16	3071	88.63	57	2.40	242	150	5.95	11	3.80	17	2927	84.47	57	2.50	274	132	5.25	11	4.20	19	2597	74.95	57	2.80	309	117	4.66	10	4.50	21	2357	68.01	57	3.00	363	100	3.97	10	4.70	11	4415	127.42			26	0.90	GFA97 GFAF97 GF97 GFF97	4P	68	534	21.17	6.2	1.05			13	3915	112.99	29	1.05	75	482	19.11	6.2	1.15	14	3540	102.16	30	1.15	86	424	16.81	6.1
18	2024	80.31	33	2.00			20	1822	72.29	34	2.20					22	1650	65.47	34	2.40	GFA87 GFAF87 GF87 GFF87	4P			2.6	18468	561	91	0.95	25	1463			58.06	34	2.70	2.9	16558	503	98			1.10	13	2759	109.49	21	1.00	3.2	14682	446	103	1.25	15	2467	97.89	23	1.15	GFA87 GFAF87 GF87 GFF87	4P	4.2	11390	346	109	1.55	GFA127R87 GFAF127R87 GF127R87 GFF127R87	4P			16	2218	88.01	23	1.25					19			1925	76.39			23			1.45	4.8	9777	297	111	1.80	21	1724	68.40	23	1.65	5.4	8822	268	112	1.95	25	1430	56.75	22	1.95	GFA87 GFAF87 GF87 GFF87	4P	6.3	7473	227			114	2.30	29	1269	50.36			22	2.20	7.3			6518	198	114	2.65	32	1141	45.28	21	2.30	7.3	6452	196	114	2.80	37	990	39.30	21	2.60			3.4	14024	426	82	0.85	41	887	35.19	21	2.90	3.8	12542	381	85	0.95	GFA127R77 GFAF127R77 GF127R77 GFF127R77	4P	49	736	29.20			21	3.50	4.6	10304	313			86			1.15	22	1675	66.46	13	0.85	GFA77 GFAF77 GF77 GFF77	4P	4.9			9728	296	86			1.25	25	1470	58.32	14	0.95	5.5	8559	260	86	1.40	26	1393	55.27	15	1.00	6.4	7407	225	86	1.60	30	1219	48.37	16	1.15	GFA77 GFAF77 GF77 GFF77	4P	3.3			14221	432	81	0.85	GFA157 GFAF157 GF157 GFF157							8P	33	1098	43.58	17		1.30	3.8				12476	379	85	0.95	38	963	38.23	17	1.45			2.7	18561	267.82	90	0.90			43	850	33.74	18	1.65	3.3	15006	216.53	100	1.10	48	754	29.91	18	1.85	4.1	12160	175.46	106	1.35	56	644	25.54	18	2.10	4.4	11242	162.21	108	1.50	46	794	31.51	18	1.65	GFA77 GFAF77 GF77 GFF77	4P	5.1			9831	141.86	111	1.70	50	725			28.75			18	1.85	6.0	8280	119.47	112	1.90	56			643	25.50	18	2.20	6.7	7471	107.80	114	2.20	67	540	21.43	19	2.60	7.5	6677	96.35	114	2.50	73	496	19.70	19	2.80	8.7	5712	82.42	114	2.80	82	441	17.49	19	3.10	9.5	5280	76.19	114	3.10	92	394	15.64	19	3.50	11	4618	66.63	114	3.60	53	691	27.41	10	1.10	GFA77 GFAF77 GF77 GFF77	4P	4.2		11899	171.70		85	0.95	GFA127 GFAF127 GF127 GFF127	8P	57	633			25.13							11	1.20			4.7	10681	154.12					86	1.05	65	556	22.05	11	1.40	5.7	8678	125.22	86	1.30	69	527	20.90	11	1.45	6.3	7912	114.16	86	1.40	79	461	18.29	12	1.65	6.7	7474	215.69	47	0.95	87	415	16.48	12	1.85	7.2	6918	199.64	48	1.05	100	364	14.46	12	2.10	8.0	6200	178.93	50	1.15	113	322	12.76	12	2.40	GFA67 GFAF67 GF67 GFF67	4P	8.9	5598	161.54					51	1.30	127			285	11.31			12	2.70	9.8	5084	146.72	53	1.45	149	243	9.66	12	3.20	11	4511	130.18	54	1.60	159	229	9.08	12	2.20	12	4093	118.13	55	1.75	167	217	8.60	12	2.50	14	3519	101.54	56	2.10	191	190	7.53	12	3.00	15	3223	93.00	57	2.30	212	171	6.78	11	3.40	16	3071	88.63	57	2.40	242	150	5.95	11	3.80	17	2927	84.47	57	2.50	274	132	5.25	11	4.20	19	2597	74.95	57	2.80	309	117	4.66	10	4.50	21	2357	68.01	57	3.00	363	100	3.97	10	4.70	11	4415	127.42	26	0.90	GFA97 GFAF97 GF97 GFF97			4P	68			534	21.17	6.2	1.05	13			3915	112.99	29	1.05	75	482	19.11	6.2	1.15	14	3540	102.16	30	1.15	86	424	16.81	6.1	1.35
20	1822	72.29	34	2.20			22	1650	65.47	34	2.40			GFA87 GFAF87 GF87 GFF87	4P	2.6	18468	561	91	0.95			25	1463	58.06	34	2.70	2.9	16558	503	98			1.10	13	2759	109.49	21	1.00	3.2	14682	446	103	1.25	15	2467	97.89	23	1.15	GFA87 GFAF87 GF87 GFF87	4P	4.2	11390	346	109	1.55	GFA127R87 GFAF127R87 GF127R87 GFF127R87	4P			16	2218	88.01	23	1.25					19	1925	76.39	23	1.45					4.8	9777	297	111	1.80			21	1724	68.40	23	1.65	5.4	8822	268	112	1.95	25	1430	56.75	22	1.95	GFA87 GFAF87 GF87 GFF87	4P	6.3	7473	227	114	2.30	29	1269			50.36	22	2.20			7.3	6518	198	114	2.65			32	1141	45.28			21	2.30	7.3	6452	196	114	2.80	37	990	39.30	21	2.60	3.4	14024	426	82	0.85	41	887	35.19	21	2.90	3.8	12542	381	85	0.95	GFA127R77 GFAF127R77 GF127R77 GFF127R77	4P	49	736	29.20	21	3.50	4.6	10304			313	86	1.15			22	1675	66.46	13	0.85			GFA77 GFAF77 GF77 GFF77	4P	4.9	9728	296	86	1.25	25	1470			58.32			14	0.95	5.5	8559	260	86	1.40	26	1393	55.27	15	1.00	6.4	7407	225	86	1.60	30	1219	48.37	16	1.15	GFA77 GFAF77 GF77 GFF77	4P	3.3	14221	432	81	0.85	GFA157 GFAF157 GF157 GFF157	8P			33			1098	43.58	17	1.30									3.8	12476	379	85		0.95	38				963	38.23	17	1.45	2.7	18561	267.82	90	0.90	43	850	33.74	18	1.65	3.3	15006	216.53	100	1.10	48	754	29.91	18	1.85	4.1	12160	175.46	106	1.35	56	644	25.54	18	2.10	4.4	11242	162.21	108	1.50	46	794	31.51	18	1.65	GFA77 GFAF77 GF77 GFF77	4P	5.1	9831	141.86	111	1.70	50	725			28.75			18	1.85	6.0	8280	119.47	112			1.90			56	643	25.50	18	2.20	6.7	7471	107.80	114	2.20	67	540	21.43	19	2.60	7.5	6677	96.35	114	2.50	73	496	19.70	19	2.80	8.7	5712	82.42	114	2.80	82	441	17.49	19	3.10	9.5	5280	76.19	114	3.10	92	394	15.64	19	3.50	11	4618	66.63	114	3.60	53	691	27.41	10	1.10	GFA77 GFAF77 GF77 GFF77	4P	4.2	11899	171.70	85	0.95	GFA127 GFAF127 GF127 GFF127	8P			57		633	25.13		11	1.20			4.7	10681			154.12							86	1.05	65	556	22.05	11	1.40			5.7	8678	125.22	86	1.30	69	527	20.90	11	1.45	6.3	7912	114.16	86	1.40	79	461	18.29	12	1.65	6.7	7474	215.69	47	0.95	87	415	16.48	12	1.85	7.2	6918	199.64	48	1.05	100	364	14.46	12	2.10	8.0	6200	178.93	50	1.15	113	322	12.76	12	2.40	GFA67 GFAF67 GF67 GFF67	4P	8.9	5598	161.54	51	1.30	127	285			11.31	12	2.70					9.8	5084	146.72	53	1.45	149	243			9.66	12	3.20	11	4511	130.18	54	1.60	159	229	9.08	12	2.20	12	4093	118.13	55	1.75	167	217	8.60	12	2.50	14	3519	101.54	56	2.10	191	190	7.53	12	3.00	15	3223	93.00	57	2.30	212	171	6.78	11	3.40	16	3071	88.63	57	2.40	242	150	5.95	11	3.80	17	2927	84.47	57	2.50	274	132	5.25	11	4.20	19	2597	74.95	57	2.80	309	117	4.66	10	4.50	21	2357	68.01	57	3.00	363	100	3.97	10	4.70	11	4415	127.42	26	0.90	GFA97 GFAF97 GF97 GFF97	4P	68	534	21.17	6.2	1.05	13	3915		112.99	29		1.05			75	482	19.11	6.2	1.15			14	3540	102.16	30	1.15	86	424	16.81	6.1	1.35	91	400	15.88	6.1	1.40				
22	1650	65.47	34	2.40	GFA87 GFAF87 GF87 GFF87	4P	2.6	18468	561	91	0.95	25	1463			58.06	34	2.70	2.9	16558			503	98	1.10	13	2759	109.49	21	1.00	3.2	14682	446	103	1.25	15	2467	97.89	23	1.15	GFA87 GFAF87 GF87 GFF87	4P	4.2	11390	346	109	1.55	GFA127R87 GFAF127R87 GF127R87 GFF127R87	4P			16	2218	88.01	23	1.25					19	1925	76.39	23	1.45					4.8	9777	297	111	1.80	21	1724			68.40	23	1.65	5.4	8822	268	112	1.95	25	1430	56.75	22	1.95	GFA87 GFAF87 GF87 GFF87	4P	6.3	7473	227	114	2.30	29	1269			50.36	22	2.20	7.3	6518	198	114			2.65	32	1141			45.28	21	2.30	7.3	6452			196	114	2.80			37	990	39.30	21	2.60	3.4	14024	426	82	0.85	41	887	35.19	21	2.90	3.8	12542	381	85	0.95	GFA127R77 GFAF127R77 GF127R77 GFF127R77	4P	49	736	29.20	21	3.50			4.6	10304	313	86	1.15	22	1675			66.46	13	0.85			GFA77 GFAF77 GF77 GFF77	4P	4.9	9728	296	86	1.25			25	1470	58.32	14	0.95	5.5	8559			260	86	1.40	26	1393	55.27	15	1.00	6.4	7407	225	86	1.60	30	1219	48.37	16	1.15	GFA77 GFAF77 GF77 GFF77	4P	3.3	14221	432	81	0.85			GFA157 GFAF157 GF157 GFF157	8P	33	1098	43.58					17			1.30	3.8	12476	379									85	0.95	38	963		38.23	17				1.45	2.7	18561	267.82	90	0.90	43	850	33.74	18	1.65	3.3	15006	216.53	100	1.10	48	754	29.91	18	1.85	4.1	12160	175.46	106	1.35	56	644	25.54	18	2.10	4.4	11242	162.21	108	1.50	46	794	31.51	18	1.65	GFA77 GFAF77 GF77 GFF77	4P	5.1			9831	141.86	111	1.70	50	725	28.75			18			1.85	6.0	8280	119.47	112	1.90			56			643	25.50	18	2.20	6.7	7471	107.80	114	2.20	67	540	21.43	19	2.60	7.5	6677	96.35	114	2.50	73	496	19.70	19	2.80	8.7	5712	82.42	114	2.80	82	441	17.49	19	3.10	9.5	5280	76.19	114	3.10	92	394	15.64	19	3.50	11	4618	66.63	114	3.60	53	691	27.41	10	1.10	GFA77 GFAF77 GF77 GFF77			4P	4.2	11899	171.70	85					0.95		GFA127 GFAF127 GF127 GFF127	8P		57	633			25.13	11			1.20							4.7	10681	154.12	86	1.05	65	556			22.05	11	1.40	5.7	8678	125.22	86	1.30	69	527	20.90	11	1.45	6.3	7912	114.16	86	1.40	79	461	18.29	12	1.65	6.7	7474	215.69	47	0.95	87	415	16.48	12	1.85	7.2	6918	199.64	48	1.05	100	364	14.46	12	2.10	8.0	6200	178.93	50	1.15	113	322			12.76	12	2.40	GFA67 GFAF67 GF67 GFF67	4P	8.9	5598			161.54	51	1.30					127	285	11.31	12	2.70	9.8	5084			146.72	53	1.45	149	243	9.66	12	3.20	11	4511	130.18	54	1.60	159	229	9.08	12	2.20	12	4093	118.13	55	1.75	167	217	8.60	12	2.50	14	3519	101.54	56	2.10	191	190	7.53	12	3.00	15	3223	93.00	57	2.30	212	171	6.78	11	3.40	16	3071	88.63	57	2.40	242	150	5.95	11	3.80	17	2927	84.47	57	2.50	274	132	5.25	11	4.20	19	2597	74.95	57	2.80	309	117	4.66	10	4.50	21	2357	68.01	57	3.00	363	100	3.97	10	4.70			11	4415	127.42	26	0.90	GFA97 GFAF97 GF97 GFF97	4P		68	534		21.17			6.2	1.05	13	3915	112.99	29	1.05	75	482	19.11	6.2	1.15	14	3540	102.16	30	1.15	86	424	16.81	6.1	1.35	91	400	15.88	6.1
25	1463	58.06	34	2.70			2.9	16558	503	98	1.10	13	2759			109.49	21	1.00	3.2	14682	446	103	1.25	15	2467	97.89	23	1.15	GFA87 GFAF87 GF87 GFF87	4P	4.2	11390	346	109	1.55	GFA127R87 GFAF127R87 GF127R87 GFF127R87	4P	16	2218	88.01			23	1.25	19	1925	76.39					23	1.45	4.8	9777	297					111	1.80	21	1724	68.40			23	1.65	5.4	8822	268	112	1.95	25	1430	56.75	22	1.95	GFA87 GFAF87 GF87 GFF87	4P	6.3	7473	227	114	2.30	29	1269	50.36	22	2.20			7.3	6518	198	114	2.65	32	1141			45.28	21	2.30	7.3	6452	196	114			2.80	37	990			39.30	21	2.60	3.4	14024			426	82	0.85	41	887	35.19	21	2.90	3.8	12542	381	85	0.95	GFA127R77 GFAF127R77 GF127R77 GFF127R77	4P	49	736	29.20	21	3.50	4.6	10304	313	86	1.15			22	1675	66.46	13	0.85			GFA77 GFAF77 GF77 GFF77	4P	4.9	9728	296	86	1.25			25	1470	58.32	14	0.95			5.5	8559	260	86	1.40			26	1393	55.27	15	1.00	6.4	7407	225	86	1.60	30	1219	48.37	16	1.15	GFA77 GFAF77 GF77 GFF77	4P	3.3	14221	432	81	0.85	GFA157 GFAF157 GF157 GFF157	8P	33	1098	43.58			17	1.30	3.8	12476	379					85	0.95	38					963			38.23	17	1.45	2.7					18561	267.82			90	0.90	43	850		33.74	18	1.65	3.3		15006	216.53	100	1.10	48	754	29.91	18	1.85	4.1	12160	175.46	106	1.35	56	644	25.54	18	2.10	4.4	11242	162.21	108	1.50	46	794	31.51	18	1.65	GFA77 GFAF77 GF77 GFF77	4P	5.1	9831	141.86	111	1.70	50	725	28.75	18	1.85			6.0			8280	119.47	112	1.90	56	643	25.50			18			2.20	6.7	7471	107.80	114	2.20	67	540	21.43			19	2.60	7.5	6677	96.35	114	2.50	73	496	19.70	19	2.80	8.7	5712	82.42	114	2.80	82	441	17.49	19	3.10	9.5	5280	76.19	114	3.10	92	394	15.64	19	3.50	11	4618	66.63	114	3.60	53	691	27.41	10	1.10	GFA77 GFAF77 GF77 GFF77	4P	4.2	11899	171.70	85	0.95	GFA127 GFAF127 GF127 GFF127	8P	57	633	25.13					11	1.20	4.7	10681					154.12					86	1.05			65	556	22.05	11	1.40					5.7	8678	125.22	86	1.30	69	527	20.90	11			1.45	6.3	7912	114.16	86	1.40	79	461	18.29	12	1.65	6.7	7474	215.69	47	0.95	87	415	16.48	12	1.85	7.2	6918	199.64	48	1.05	100	364	14.46	12	2.10	8.0	6200	178.93	50	1.15	113	322	12.76	12	2.40	GFA67 GFAF67 GF67 GFF67	4P	8.9	5598	161.54	51	1.30	127	285			11.31	12	2.70			9.8	5084			146.72	53	1.45	149	243			9.66	12	3.20	11	4511	130.18	54			1.60	159	229	9.08	12	2.20	12	4093	118.13	55	1.75	167	217	8.60	12	2.50	14	3519	101.54	56	2.10	191	190	7.53	12	3.00	15	3223	93.00	57	2.30	212	171	6.78	11	3.40	16	3071	88.63	57	2.40	242	150	5.95	11	3.80	17	2927	84.47	57	2.50	274	132	5.25	11	4.20	19	2597	74.95	57	2.80	309	117	4.66	10	4.50	21	2357	68.01	57	3.00	363	100	3.97	10	4.70	11	4415	127.42	26	0.90	GFA97 GFAF97 GF97 GFF97	4P	68	534	21.17	6.2	1.05			13	3915	112.99	29	1.05				75	482		19.11	6.2	1.15	14	3540	102.16	30	1.15	86	424	16.81	6.1	1.35	91	400	15.88	6.1	1.40											
13	2759	109.49	21	1.00			3.2	14682	446	103	1.25	15	2467	97.89	23	1.15	GFA87 GFAF87 GF87 GFF87	4P	4.2	11390	346	109	1.55	GFA127R87 GFAF127R87 GF127R87 GFF127R87	4P	16	2218	88.01			23	1.25	19	1925	76.39			23	1.45	4.8			9777	297	111	1.80	21					1724	68.40	23	1.65	5.4			8822	268	112	1.95	25	1430	56.75	22	1.95	GFA87 GFAF87 GF87 GFF87	4P	6.3	7473	227	114	2.30	29	1269	50.36	22	2.20			7.3	6518	198	114	2.65	32	1141	45.28	21	2.30			7.3	6452	196	114	2.80	37	990			39.30	21	2.60	3.4	14024	426	82			0.85	41	887			35.19	21	2.90	3.8	12542	381	85	0.95	GFA127R77 GFAF127R77 GF127R77 GFF127R77	4P	49	736	29.20	21	3.50	4.6	10304	313	86	1.15			22	1675	66.46	13	0.85	GFA77 GFAF77 GF77 GFF77	4P	4.9	9728	296			86	1.25	25	1470	58.32					14	0.95	5.5	8559	260	86	1.40	26	1393	55.27	15	1.00			6.4	7407	225	86	1.60	30	1219	48.37	16	1.15	GFA77 GFAF77 GF77 GFF77	4P	3.3	14221	432	81	0.85	GFA157 GFAF157 GF157 GFF157	8P	33	1098	43.58			17	1.30	3.8	12476	379			85	0.95	38			963	38.23	17	1.45	2.7					18561	267.82	90					0.90			43	850	33.74	18		1.65	3.3		15006	216.53			100	1.10	48	754	29.91	18	1.85	4.1	12160	175.46	106	1.35	56	644	25.54	18	2.10	4.4	11242	162.21	108	1.50	46	794	31.51	18	1.65	GFA77 GFAF77 GF77 GFF77	4P	5.1	9831	141.86	111	1.70	50	725	28.75	18	1.85			6.0	8280	119.47	112	1.90	56	643	25.50	18	2.20			6.7			7471	107.80	114	2.20	67	540	21.43			19			2.60	7.5	6677	96.35	114	2.50	73	496	19.70	19	2.80	8.7	5712	82.42	114	2.80	82	441	17.49	19	3.10	9.5	5280	76.19	114	3.10	92	394	15.64	19	3.50	11	4618	66.63	114	3.60	53	691	27.41	10	1.10	GFA77 GFAF77 GF77 GFF77	4P	4.2	11899	171.70	85	0.95	GFA127 GFAF127 GF127 GFF127	8P	57	633	25.13			11	1.20	4.7	10681	154.12			86	1.05	65					556	22.05	11	1.40					5.7					8678	125.22			86	1.30	69	527	20.90			11	1.45	6.3	7912	114.16	86	1.40	79	461	18.29	12	1.65	6.7	7474	215.69	47	0.95	87	415	16.48	12	1.85	7.2	6918	199.64	48	1.05	100	364	14.46	12	2.10	8.0	6200	178.93	50	1.15	113	322	12.76	12	2.40	GFA67 GFAF67 GF67 GFF67	4P	8.9	5598	161.54	51	1.30	127	285	11.31	12	2.70			9.8	5084	146.72	53	1.45	149	243			9.66	12	3.20			11	4511			130.18	54	1.60	159	229			9.08	12	2.20	12	4093	118.13	55	1.75	167	217	8.60	12	2.50	14	3519	101.54	56	2.10	191	190	7.53	12	3.00	15	3223	93.00	57	2.30	212	171	6.78	11	3.40	16	3071	88.63	57	2.40	242	150	5.95	11	3.80	17	2927	84.47	57	2.50	274	132	5.25	11	4.20	19	2597	74.95	57	2.80	309	117	4.66	10	4.50	21	2357	68.01	57	3.00	363	100	3.97	10	4.70	11	4415	127.42	26	0.90	GFA97 GFAF97 GF97 GFF97	4P	68	534	21.17	6.2	1.05	13	3915	112.99	29	1.05			75	482	19.11	6.2	1.15			14	3540	102.16	30	1.15			86	424	16.81	6.1	1.35	91	400	15.88	6.1	1.40																							
15	2467	97.89	23	1.15	GFA87 GFAF87 GF87 GFF87	4P	4.2	11390	346	109	1.55	GFA127R87 GFAF127R87 GF127R87 GFF127R87	4P																																																																																																																																																																																																																																																																																																																																																																																																																																																																																																																																																																																																																																
16	2218	88.01	23	1.25			19	1925	76.39	23	1.45			4.8	9777	297			111	1.80	21	1724	68.40			23	1.65	5.4			8822	268	112	1.95	25			1430	56.75	22	1.95	GFA87 GFAF87 GF87 GFF87	4P	6.3	7473	227	114	2.30	29	1269	50.36	22	2.20	7.3	6518	198	114	2.65	32	1141	45.28	21	2.30	7.3	6452	196	114			2.80	37	990	39.30	21	2.60	3.4	14024	426	82			0.85	41	887	35.19	21	2.90	3.8	12542	381	85			0.95	GFA127R77 GFAF127R77 GF127R77 GFF127R77	4P	49	736	29.20	21			3.50	4.6	10304	313	86	1.15	22	1675	66.46	13	0.85	GFA77 GFAF77 GF77 GFF77	4P	4.9	9728	296	86	1.25	25	1470	58.32	14			0.95	5.5	8559	260	86	1.40	26	1393	55.27	15			1.00	6.4	7407	225	86			1.60	30	1219	48.37	16	1.15	GFA77 GFAF77 GF77 GFF77	4P	3.3	14221	432	81	0.85	GFA157 GFAF157 GF157 GFF157	8P	33	1098	43.58	17	1.30	3.8	12476	379	85	0.95	38	963	38.23	17	1.45	2.7	18561	267.82	90	0.90	43	850	33.74			18	1.65	3.3	15006	216.53			100	1.10	48			754	29.91	18	1.85	4.1			12160	175.46	106			1.35	56	644	25.54	18					2.10	4.4	11242			162.21	108	1.50	46	794	31.51	18	1.65	GFA77 GFAF77 GF77 GFF77	4P	5.1	9831	141.86	111	1.70	50	725	28.75	18	1.85	6.0	8280	119.47	112	1.90	56	643	25.50	18	2.20	6.7	7471	107.80	114	2.20	67	540	21.43	19	2.60	7.5	6677	96.35	114			2.50	73	496	19.70	19	2.80	8.7	5712	82.42	114			2.80	82	441	17.49	19	3.10	9.5	5280	76.19	114			3.10			92	394	15.64	19	3.50	11	4618	66.63	114	3.60	53	691	27.41	10	1.10	GFA77 GFAF77 GF77 GFF77	4P	4.2	11899	171.70	85	0.95	GFA127 GFAF127 GF127 GFF127	8P	57	633	25.13	11	1.20	4.7	10681	154.12	86	1.05	65	556	22.05	11	1.40	5.7	8678	125.22	86	1.30	69	527	20.90	11	1.45	6.3	7912	114.16	86			1.40	79	461	18.29	12			1.65	6.7	7474			215.69	47	0.95	87	415			16.48	12	1.85					7.2	6918	199.64	48			1.05	100	364	14.46			12	2.10	8.0	6200	178.93	50	1.15	113	322	12.76	12	2.40	GFA67 GFAF67 GF67 GFF67	4P	8.9	5598	161.54	51	1.30	127	285	11.31	12	2.70	9.8	5084	146.72	53	1.45	149	243	9.66	12	3.20	11	4511	130.18	54	1.60	159	229	9.08	12	2.20	12	4093	118.13	55	1.75	167	217	8.60	12	2.50			14	3519	101.54	56	2.10	191	190	7.53	12	3.00			15	3223	93.00	57	2.30	212	171			6.78	11	3.40			16	3071	88.63	57	2.40	242	150	5.95	11	3.80	17	2927	84.47	57	2.50	274	132	5.25	11	4.20	19	2597	74.95	57	2.80	309	117	4.66	10	4.50	21	2357	68.01	57	3.00	363	100	3.97	10	4.70	11	4415	127.42	26	0.90	GFA97 GFAF97 GF97 GFF97	4P	68	534	21.17	6.2	1.05	13	3915	112.99	29	1.05	75	482	19.11	6.2	1.15	14	3540	102.16	30	1.15	86	424	16.81	6.1	1.35	91	400	15.88	6.1	1.40																																																																									
19	1925	76.39	23	1.45			4.8	9777	297	111	1.80			21	1724	68.40			23	1.65	5.4	8822	268			112	1.95	25	1430	56.75	22	1.95	GFA87 GFAF87 GF87 GFF87	4P	6.3	7473	227	114	2.30	29	1269			50.36	22	2.20	7.3	6518	198	114	2.65	32	1141	45.28	21	2.30	7.3	6452	196	114	2.80	37	990	39.30	21	2.60	3.4			14024	426	82	0.85	41	887	35.19	21	2.90	3.8			12542	381	85	0.95	GFA127R77 GFAF127R77 GF127R77 GFF127R77	4P	49	736	29.20	21			3.50			4.6	10304	313	86	1.15	22	1675	66.46	13	0.85	GFA77 GFAF77 GF77 GFF77	4P	4.9	9728	296	86	1.25			25	1470	58.32	14	0.95	5.5	8559	260	86			1.40	26	1393	55.27	15	1.00	6.4	7407	225	86	1.60	30	1219	48.37	16	1.15	GFA77 GFAF77 GF77 GFF77	4P	3.3	14221	432	81	0.85	GFA157 GFAF157 GF157 GFF157	8P			33	1098	43.58	17	1.30			3.8	12476	379	85	0.95	38	963	38.23	17	1.45	2.7	18561	267.82	90	0.90	43	850	33.74	18	1.65	3.3	15006	216.53			100	1.10	48	754	29.91			18	1.85	4.1			12160	175.46	106	1.35	56			644	25.54	18			2.10	4.4	11242	162.21	108	1.50	46			794	31.51	18	1.65	GFA77 GFAF77 GF77 GFF77	4P	5.1	9831	141.86	111	1.70	50	725			28.75	18	1.85	6.0	8280	119.47	112	1.90	56	643	25.50	18	2.20	6.7	7471	107.80	114	2.20	67	540	21.43	19	2.60	7.5	6677	96.35	114	2.50	73	496	19.70	19	2.80	8.7			5712	82.42	114	2.80	82	441	17.49	19	3.10	9.5			5280	76.19	114	3.10	92	394	15.64	19	3.50	11			4618	66.63	114	3.60	53	691	27.41	10	1.10	GFA77 GFAF77 GF77 GFF77	4P	4.2	11899	171.70	85	0.95	GFA127 GFAF127 GF127 GFF127	8P			57	633	25.13	11	1.20			4.7	10681	154.12	86	1.05	65	556	22.05	11	1.40	5.7	8678	125.22	86	1.30	69	527	20.90	11	1.45	6.3	7912	114.16	86	1.40	79	461	18.29	12			1.65	6.7	7474	215.69	47			0.95	87	415			16.48	12	1.85	7.2	6918			199.64	48	1.05		100	364		14.46	12	2.10	8.0	6200	178.93	50	1.15	113	322			12.76	12	2.40	GFA67 GFAF67 GF67 GFF67	4P	8.9	5598	161.54	51	1.30	127	285			11.31	12	2.70	9.8	5084	146.72	53	1.45	149	243	9.66	12	3.20	11	4511	130.18	54	1.60	159	229	9.08	12	2.20	12	4093	118.13	55	1.75	167	217	8.60	12	2.50	14	3519	101.54	56	2.10	191	190			7.53	12	3.00	15	3223	93.00	57	2.30	212	171			6.78	11	3.40	16	3071	88.63	57	2.40	242	150	5.95	11			3.80	17	2927	84.47	57	2.50	274	132	5.25	11	4.20	19	2597	74.95	57	2.80	309	117	4.66	10	4.50	21	2357	68.01	57	3.00	363	100	3.97	10	4.70	11	4415	127.42	26	0.90	GFA97 GFAF97 GF97 GFF97	4P	68	534	21.17	6.2	1.05	13	3915			112.99	29	1.05	75	482	19.11	6.2	1.15	14	3540	102.16	30	1.15	86	424	16.81	6.1	1.35	91	400	15.88	6.1	1.40																																																																																
21	1724	68.40	23	1.65			5.4	8822	268	112	1.95			25	1430	56.75	22	1.95	GFA87 GFAF87 GF87 GFF87	4P	6.3	7473	227	114	2.30	29	1269	50.36	22	2.20	7.3	6518			198	114	2.65	32	1141	45.28	21			2.30	7.3	6452	196	114	2.80	37	990	39.30	21	2.60	3.4	14024	426	82	0.85	41	887	35.19	21	2.90	3.8	12542	381			85	0.95	GFA127R77 GFAF127R77 GF127R77 GFF127R77	4P	49	736	29.20	21	3.50	4.6			10304	313	86	1.15			22	1675	66.46	13	0.85	GFA77 GFAF77 GF77 GFF77	4P			4.9	9728	296	86	1.25	25	1470	58.32	14	0.95			5.5	8559	260	86	1.40			26	1393	55.27	15	1.00	6.4	7407	225	86	1.60	30	1219	48.37	16	1.15	GFA77 GFAF77 GF77 GFF77	4P	3.3	14221	432	81	0.85	GFA157 GFAF157 GF157 GFF157	8P	33	1098	43.58			17	1.30	3.8	12476	379					85	0.95	38	963	38.23			17	1.45	2.7	18561	267.82	90	0.90	43	850	33.74	18	1.65	3.3	15006	216.53	100	1.10	48	754	29.91	18	1.85	4.1			12160	175.46	106	1.35	56			644	25.54	18			2.10	4.4	11242	162.21	108			1.50	46	794	31.51	18	1.65	GFA77 GFAF77 GF77 GFF77	4P	5.1	9831	141.86	111	1.70	50	725	28.75	18	1.85			6.0	8280	119.47	112	1.90	56	643			25.50	18	2.20	6.7	7471	107.80	114	2.20	67	540	21.43	19	2.60	7.5	6677	96.35	114	2.50	73	496	19.70	19	2.80	8.7	5712	82.42	114	2.80	82	441	17.49	19	3.10	9.5			5280	76.19	114	3.10	92	394	15.64	19	3.50	11			4618	66.63	114	3.60	53	691	27.41	10	1.10	GFA77 GFAF77 GF77 GFF77	4P	4.2	11899	171.70	85	0.95	GFA127 GFAF127 GF127 GFF127	8P	57	633	25.13			11	1.20	4.7	10681	154.12					86	1.05	65	556	22.05			11	1.40	5.7	8678	125.22	86	1.30	69	527	20.90	11	1.45	6.3	7912	114.16	86	1.40	79	461	18.29	12	1.65	6.7	7474	215.69	47	0.95	87	415			16.48	12	1.85	7.2	6918			199.64	48	1.05			100	364	14.46	12	2.10			8.0	6200	178.93	50	1.15	113	322	12.76	12	2.40	GFA67 GFAF67 GF67 GFF67	4P	8.9	5598	161.54	51	1.30	127	285	11.31	12	2.70			9.8	5084	146.72	53	1.45	149	243			9.66	12	3.20	11	4511	130.18	54	1.60	159	229	9.08	12	2.20	12	4093	118.13	55	1.75	167	217	8.60	12	2.50	14	3519	101.54	56	2.10	191	190	7.53	12	3.00	15	3223	93.00	57	2.30	212	171			6.78	11	3.40	16	3071	88.63	57	2.40	242	150			5.95	11	3.80	17	2927	84.47	57	2.50	274	132	5.25	11	4.20	19	2597	74.95	57	2.80	309	117	4.66	10	4.50	21	2357	68.01	57	3.00	363	100	3.97	10	4.70	11	4415	127.42	26	0.90	GFA97 GFAF97 GF97 GFF97	4P	68	534	21.17	6.2	1.05	13	3915	112.99	29	1.05			75	482	19.11	6.2	1.15	14	3540			102.16	30	1.15	86	424	16.81	6.1	1.35	91	400	15.88	6.1	1.40																																																																																										
25	1430	56.75	22	1.95	GFA87 GFAF87 GF87 GFF87	4P	6.3	7473	227	114	2.30	29	1269	50.36	22	2.20	7.3	6518			198	114	2.65	32	1141	45.28	21	2.30	7.3	6452	196	114			2.80	37	990	39.30	21	2.60	3.4			14024	426	82	0.85	41	887	35.19	21	2.90	3.8	12542	381	85	0.95	GFA127R77 GFAF127R77 GF127R77 GFF127R77	4P	49	736	29.20	21	3.50	4.6	10304	313			86	1.15			22	1675	66.46	13	0.85	GFA77 GFAF77 GF77 GFF77	4P	4.9	9728	296	86	1.25			25	1470	58.32	14	0.95					5.5	8559	260	86	1.40	26	1393	55.27	15	1.00			6.4	7407	225	86	1.60	30	1219	48.37	16	1.15	GFA77 GFAF77 GF77 GFF77	4P	3.3	14221	432	81	0.85	GFA157 GFAF157 GF157 GFF157	8P	33	1098	43.58			17	1.30	3.8	12476	379			85	0.95	38			963	38.23	17	1.45	2.7					18561	267.82	90	0.90	43			850	33.74	18	1.65	3.3	15006	216.53	100	1.10	48	754	29.91	18	1.85	4.1	12160	175.46	106	1.35	56	644	25.54	18			2.10	4.4	11242	162.21	108			1.50	46	794	31.51	18	1.65	GFA77 GFAF77 GF77 GFF77	4P	5.1	9831	141.86	111	1.70	50	725	28.75	18	1.85			6.0	8280	119.47	112	1.90	56	643	25.50	18	2.20			6.7	7471	107.80	114	2.20	67	540			21.43	19	2.60	7.5	6677	96.35	114	2.50	73	496	19.70	19	2.80	8.7	5712	82.42	114	2.80	82	441	17.49	19	3.10	9.5	5280	76.19	114	3.10	92	394	15.64	19	3.50	11			4618	66.63	114	3.60	53	691	27.41	10	1.10	GFA77 GFAF77 GF77 GFF77	4P	4.2	11899	171.70	85	0.95	GFA127 GFAF127 GF127 GFF127	8P	57	633	25.13			11	1.20	4.7	10681	154.12			86	1.05	65			556	22.05	11	1.40	5.7					8678	125.22	86	1.30	69			527	20.90	11	1.45	6.3	7912	114.16	86	1.40	79	461	18.29	12	1.65	6.7	7474	215.69	47	0.95	87	415	16.48	12	1.85	7.2	6918	199.64	48	1.05			100	364	14.46	12	2.10			8.0	6200	178.93	50	1.15	113	322	12.76	12	2.40	GFA67 GFAF67 GF67 GFF67	4P	8.9	5598	161.54	51	1.30	127	285	11.31	12	2.70			9.8	5084	146.72	53	1.45	149	243	9.66	12	3.20			11	4511	130.18	54	1.60	159	229			9.08	12	2.20	12	4093	118.13	55	1.75	167	217	8.60	12	2.50	14	3519	101.54	56	2.10	191	190	7.53	12	3.00	15	3223	93.00	57	2.30	212	171	6.78	11	3.40	16	3071	88.63	57	2.40	242	150			5.95	11	3.80	17	2927	84.47	57	2.50	274	132	5.25	11	4.20	19	2597	74.95	57	2.80	309	117	4.66	10	4.50	21	2357	68.01	57	3.00	363	100	3.97	10	4.70	11	4415	127.42	26	0.90	GFA97 GFAF97 GF97 GFF97	4P	68	534	21.17	6.2	1.05	13	3915	112.99	29	1.05			75	482	19.11	6.2	1.15	14	3540	102.16	30	1.15			86	424	16.81	6.1	1.35	91	400			15.88	6.1	1.40																																																																																																				
29	1269	50.36	22	2.20			7.3	6518	198	114	2.65	32	1141	45.28	21	2.30	7.3	6452			196	114	2.80	37	990	39.30	21	2.60	3.4	14024	426	82			0.85	41	887	35.19	21	2.90	3.8			12542	381	85	0.95	GFA127R77 GFAF127R77 GF127R77 GFF127R77	4P	49	736	29.20	21	3.50	4.6	10304	313			86	1.15	22	1675	66.46	13	0.85	GFA77 GFAF77 GF77 GFF77	4P	4.9	9728	296			86	1.25	25	1470	58.32			14	0.95	5.5	8559	260			86	1.40	26	1393	55.27			15	1.00	6.4	7407	225	86	1.60	30	1219	48.37	16	1.15	GFA77 GFAF77 GF77 GFF77	4P	3.3	14221	432	81	0.85	GFA157 GFAF157 GF157 GFF157	8P	33	1098	43.58			17	1.30	3.8	12476	379			85	0.95	38			963	38.23	17	1.45	2.7			18561	267.82	90			0.90	43	850	33.74	18					1.65	3.3	15006	216.53	100			1.10	48	754	29.91	18	1.85	4.1	12160	175.46	106	1.35	56	644	25.54	18	2.10	4.4	11242	162.21	108	1.50	46	794	31.51	18	1.65	GFA77 GFAF77 GF77 GFF77	4P	5.1	9831	141.86	111	1.70	50	725	28.75	18	1.85			6.0	8280	119.47	112	1.90	56	643	25.50	18	2.20			6.7	7471	107.80	114	2.20	67	540	21.43	19	2.60			7.5	6677	96.35	114	2.50	73	496			19.70	19	2.80	8.7	5712	82.42	114	2.80	82	441	17.49	19	3.10	9.5	5280	76.19	114	3.10	92	394	15.64	19	3.50	11	4618	66.63	114	3.60	53	691	27.41	10	1.10	GFA77 GFAF77 GF77 GFF77	4P	4.2	11899	171.70	85	0.95	GFA127 GFAF127 GF127 GFF127	8P	57	633	25.13			11	1.20	4.7	10681	154.12			86	1.05	65			556	22.05	11	1.40	5.7			8678	125.22	86			1.30	69	527	20.90	11					1.45	6.3	7912	114.16	86			1.40	79	461	18.29	12	1.65	6.7	7474	215.69	47	0.95	87	415	16.48	12	1.85	7.2	6918	199.64	48	1.05	100	364	14.46	12	2.10	8.0	6200	178.93	50	1.15	113	322	12.76	12	2.40	GFA67 GFAF67 GF67 GFF67	4P	8.9	5598	161.54	51	1.30	127	285	11.31	12	2.70			9.8	5084	146.72	53	1.45	149	243	9.66	12	3.20			11	4511	130.18	54	1.60	159	229	9.08	12	2.20			12	4093	118.13	55	1.75	167	217			8.60	12	2.50	14	3519	101.54	56	2.10	191	190	7.53	12	3.00	15	3223	93.00	57	2.30	212	171	6.78	11	3.40	16	3071	88.63	57	2.40	242	150	5.95	11	3.80	17	2927	84.47	57	2.50	274	132	5.25	11	4.20	19	2597	74.95	57	2.80	309	117	4.66	10	4.50	21	2357	68.01	57	3.00	363	100	3.97	10	4.70	11	4415	127.42	26	0.90	GFA97 GFAF97 GF97 GFF97	4P	68	534	21.17	6.2	1.05	13	3915	112.99	29	1.05			75	482	19.11	6.2	1.15	14	3540	102.16	30	1.15			86	424	16.81	6.1	1.35	91	400	15.88	6.1	1.40																																																																																																																		
32	1141	45.28	21	2.30			7.3	6452	196	114	2.80	37	990	39.30	21	2.60	3.4	14024			426	82	0.85	41	887	35.19	21	2.90	3.8	12542	381	85			0.95	GFA127R77 GFAF127R77 GF127R77 GFF127R77	4P	49	736	29.20	21			3.50	4.6	10304	313			86	1.15	22	1675	66.46	13	0.85	GFA77 GFAF77 GF77 GFF77			4P	4.9	9728	296	86	1.25	25			1470	58.32	14			0.95	5.5	8559	260	86			1.40	26	1393	55.27	15	1.00	6.4	7407	225	86	1.60	30	1219	48.37	16	1.15	GFA77 GFAF77 GF77 GFF77	4P	3.3	14221	432	81	0.85	GFA157 GFAF157 GF157 GFF157	8P	33			1098	43.58	17	1.30	3.8			12476	379	85			0.95	38	963	38.23	17			1.45	2.7	18561			267.82	90	0.90	43	850			33.74	18	1.65			3.3	15006	216.53	100	1.10					48	754	29.91	18	1.85			4.1	12160	175.46	106	1.35	56	644	25.54	18	2.10	4.4	11242	162.21	108	1.50	46	794	31.51	18	1.65	GFA77 GFAF77 GF77 GFF77	4P	5.1	9831	141.86	111			1.70	50	725	28.75	18	1.85	6.0	8280	119.47	112			1.90	56	643	25.50	18	2.20	6.7	7471	107.80	114			2.20	67	540	21.43	19	2.60	7.5	6677	96.35	114			2.50	73	496	19.70	19	2.80	8.7			5712	82.42	114	2.80	82	441	17.49	19	3.10	9.5	5280	76.19	114	3.10	92	394	15.64	19	3.50	11	4618	66.63	114	3.60	53	691	27.41	10	1.10	GFA77 GFAF77 GF77 GFF77	4P	4.2	11899			171.70	85	0.95	GFA127 GFAF127 GF127 GFF127	8P			57	633	25.13			11	1.20	4.7	10681	154.12			86	1.05	65			556	22.05	11	1.40	5.7			8678	125.22	86			1.30	69	527	20.90	11					1.45	6.3	7912	114.16	86			1.40	79	461	18.29	12	1.65	6.7	7474	215.69	47	0.95	87	415	16.48	12	1.85	7.2	6918	199.64	48	1.05	100	364	14.46	12	2.10	8.0	6200	178.93	50	1.15	113	322	12.76	12	2.40			GFA67 GFAF67 GF67 GFF67	4P	8.9	5598	161.54	51	1.30	127	285	11.31			12	2.70	9.8	5084	146.72	53	1.45	149	243	9.66			12	3.20	11	4511	130.18	54	1.60	159	229	9.08			12	2.20	12	4093	118.13	55	1.75			167	217	8.60	12	2.50	14	3519	101.54	56	2.10	191	190	7.53	12	3.00	15	3223	93.00	57	2.30	212	171	6.78	11	3.40	16	3071	88.63	57	2.40	242	150	5.95	11	3.80	17	2927	84.47	57	2.50	274	132	5.25	11	4.20	19	2597	74.95	57	2.80	309	117	4.66	10	4.50	21	2357	68.01	57	3.00	363	100	3.97	10	4.70	11	4415	127.42			26	0.90	GFA97 GFAF97 GF97 GFF97	4P	68	534	21.17	6.2	1.05	13			3915	112.99	29	1.05	75	482	19.11	6.2	1.15	14			3540	102.16	30	1.15	86	424	16.81	6.1	1.35	91	400	15.88	6.1	1.40																																																																																																														
37	990	39.30	21	2.60			3.4	14024	426	82	0.85	41	887	35.19	21	2.90	3.8	12542			381	85	0.95	GFA127R77 GFAF127R77 GF127R77 GFF127R77	4P	49	736	29.20	21	3.50	4.6	10304			313			86	1.15	22	1675	66.46	13	0.85	GFA77 GFAF77 GF77 GFF77	4P	4.9			9728	296	86	1.25	25	1470	58.32					14	0.95	5.5	8559	260	86			1.40	26	1393	55.27	15	1.00	6.4	7407	225	86	1.60	30	1219	48.37	16	1.15	GFA77 GFAF77 GF77 GFF77	4P	3.3	14221	432	81	0.85	GFA157 GFAF157 GF157 GFF157	8P	33	1098	43.58			17	1.30	3.8	12476	379			85			0.95	38	963	38.23	17			1.45	2.7	18561			267.82	90	0.90	43	850			33.74	18	1.65			3.3	15006	216.53	100	1.10			48	754	29.91			18	1.85	4.1	12160	175.46			106	1.35	56	644	25.54	18	2.10	4.4	11242	162.21	108	1.50	46	794	31.51	18	1.65	GFA77 GFAF77 GF77 GFF77	4P	5.1	9831	141.86	111	1.70	50	725	28.75	18	1.85			6.0	8280	119.47	112			1.90	56	643	25.50	18	2.20	6.7	7471	107.80	114			2.20	67	540	21.43	19	2.60	7.5	6677	96.35	114			2.50	73	496	19.70	19	2.80	8.7	5712	82.42	114			2.80	82	441	17.49	19	3.10	9.5	5280	76.19	114	3.10	92	394	15.64	19	3.50	11	4618	66.63	114	3.60	53	691	27.41	10	1.10	GFA77 GFAF77 GF77 GFF77	4P	4.2	11899	171.70	85	0.95	GFA127 GFAF127 GF127 GFF127	8P	57	633	25.13			11	1.20			4.7	10681	154.12					86	1.05	65			556	22.05	11	1.40	5.7			8678	125.22	86			1.30	69	527	20.90	11			1.45	6.3	7912			114.16	86	1.40	79	461			18.29	12	1.65	6.7	7474	215.69	47	0.95	87	415	16.48	12	1.85	7.2	6918	199.64	48	1.05	100	364	14.46	12	2.10	8.0	6200	178.93	50	1.15	113	322	12.76	12	2.40	GFA67 GFAF67 GF67 GFF67	4P	8.9	5598	161.54	51	1.30	127	285	11.31	12	2.70					9.8	5084	146.72	53	1.45	149	243	9.66			12	3.20	11	4511	130.18	54	1.60	159	229	9.08			12	2.20	12	4093	118.13	55	1.75	167	217	8.60			12	2.50	14	3519	101.54	56	2.10	191	190	7.53	12	3.00	15	3223	93.00	57	2.30	212	171	6.78	11	3.40	16	3071	88.63	57	2.40	242	150	5.95	11	3.80	17	2927	84.47	57	2.50	274	132	5.25	11	4.20	19	2597	74.95	57	2.80	309	117	4.66	10	4.50	21	2357	68.01	57	3.00	363	100	3.97	10	4.70	11	4415	127.42	26	0.90	GFA97 GFAF97 GF97 GFF97	4P	68	534	21.17	6.2	1.05	13	3915	112.99			29	1.05			75	482	19.11	6.2	1.15	14			3540	102.16	30	1.15	86	424	16.81	6.1	1.35	91	400	15.88	6.1	1.40																																																																																																																										
41	887	35.19	21	2.90			3.8	12542	381	85	0.95	GFA127R77 GFAF127R77 GF127R77 GFF127R77	4P																																																																																																																																																																																																																																																																																																																																																																																																																																																																																																																																																																																																																																
49	736	29.20	21	3.50			4.6	10304	313	86	1.15			22	1675	66.46	13	0.85	GFA77 GFAF77 GF77 GFF77	4P	4.9	9728	296			86	1.25	25	1470	58.32	14	0.95	5.5	8559	260			86	1.40	26	1393	55.27	15	1.00			6.4	7407	225	86	1.60	30	1219	48.37	16	1.15	GFA77 GFAF77 GF77 GFF77	4P	3.3	14221	432	81	0.85	GFA157 GFAF157 GF157 GFF157	8P	33	1098	43.58	17	1.30	3.8	12476	379	85	0.95	38	963	38.23	17	1.45	2.7	18561	267.82	90			0.90	43	850	33.74	18			1.65	3.3	15006			216.53	100	1.10	48	754			29.91			18	1.85	4.1	12160	175.46			106	1.35	56			644	25.54	18	2.10	4.4			11242	162.21	108	1.50	46	794	31.51	18	1.65	GFA77 GFAF77 GF77 GFF77	4P	5.1	9831	141.86	111	1.70	50	725	28.75	18	1.85	6.0	8280	119.47	112	1.90	56	643	25.50	18	2.20	6.7	7471	107.80	114	2.20	67	540	21.43	19	2.60			7.5	6677	96.35	114	2.50	73	496	19.70	19	2.80			8.7	5712	82.42	114			2.80	82	441	17.49	19	3.10	9.5	5280	76.19	114			3.10	92	394	15.64	19	3.50	11	4618	66.63	114	3.60	53	691	27.41	10	1.10	GFA77 GFAF77 GF77 GFF77	4P	4.2	11899	171.70	85	0.95	GFA127 GFAF127 GF127 GFF127	8P	57	633	25.13	11	1.20	4.7	10681	154.12	86	1.05	65	556	22.05	11	1.40	5.7	8678	125.22	86	1.30	69	527	20.90	11	1.45			6.3	7912	114.16	86	1.40			79	461	18.29			12	1.65			6.7	7474	215.69					47	0.95	87			415	16.48	12	1.85	7.2			6918	199.64	48	1.05	100	364	14.46	12	2.10	8.0	6200	178.93	50	1.15	113	322	12.76	12	2.40	GFA67 GFAF67 GF67 GFF67	4P	8.9	5598	161.54	51	1.30	127	285	11.31	12	2.70	9.8	5084	146.72	53	1.45	149	243	9.66	12	3.20	11	4511	130.18	54	1.60	159	229	9.08	12	2.20	12	4093	118.13	55	1.75	167			217	8.60	12	2.50	14	3519	101.54	56	2.10	191					190	7.53	12	3.00	15	3223	93.00	57			2.30	212	171	6.78	11	3.40	16	3071	88.63	57	2.40	242	150	5.95	11	3.80	17	2927	84.47	57	2.50	274	132	5.25	11	4.20	19	2597	74.95	57	2.80	309	117	4.66	10	4.50	21	2357	68.01	57	3.00	363	100	3.97	10	4.70	11	4415	127.42	26	0.90	GFA97 GFAF97 GF97 GFF97	4P	68	534	21.17	6.2	1.05	13	3915	112.99	29	1.05	75	482	19.11	6.2	1.15	14	3540	102.16	30	1.15	86	424	16.81	6.1	1.35	91	400	15.88	6.1	1.40																																																																																																																																																																								
22	1675	66.46	13	0.85	GFA77 GFAF77 GF77 GFF77	4P	4.9	9728	296	86	1.25			25	1470	58.32	14	0.95			5.5	8559	260			86	1.40	26	1393	55.27	15	1.00	6.4	7407	225	86	1.60	30	1219	48.37	16	1.15	GFA77 GFAF77 GF77 GFF77	4P	3.3	14221	432	81	0.85	GFA157 GFAF157 GF157 GFF157	8P	33	1098	43.58	17	1.30			3.8	12476	379	85	0.95			38	963	38.23	17	1.45	2.7	18561	267.82	90	0.90	43	850	33.74	18	1.65	3.3	15006	216.53	100			1.10	48	754	29.91	18			1.85	4.1	12160			175.46	106	1.35	56	644			25.54			18	2.10	4.4	11242	162.21			108	1.50	46	794	31.51	18	1.65	GFA77 GFAF77 GF77 GFF77	4P	5.1	9831	141.86	111	1.70	50	725	28.75	18	1.85	6.0	8280			119.47	112	1.90	56	643	25.50	18	2.20	6.7	7471	107.80	114	2.20	67	540	21.43	19	2.60	7.5	6677	96.35	114	2.50	73	496	19.70	19	2.80	8.7	5712			82.42	114	2.80	82	441	17.49	19	3.10	9.5	5280			76.19	114	3.10	92			394	15.64	19	3.50	11	4618	66.63	114	3.60	53	691	27.41	10	1.10	GFA77 GFAF77 GF77 GFF77	4P	4.2	11899	171.70	85	0.95	GFA127 GFAF127 GF127 GFF127	8P	57	633	25.13	11	1.20			4.7	10681	154.12	86	1.05			65	556	22.05	11	1.40	5.7	8678	125.22	86	1.30	69	527	20.90	11	1.45	6.3	7912	114.16	86	1.40	79	461	18.29	12	1.65			6.7	7474	215.69	47	0.95			87	415	16.48			12	1.85			7.2	6918	199.64					48	1.05	100	364	14.46	12	2.10	8.0	6200	178.93	50	1.15	113	322	12.76	12	2.40	GFA67 GFAF67 GF67 GFF67	4P	8.9	5598	161.54	51	1.30	127	285	11.31	12	2.70	9.8	5084			146.72	53	1.45	149	243	9.66	12	3.20	11	4511	130.18	54	1.60	159	229	9.08	12	2.20	12	4093	118.13	55	1.75	167	217	8.60	12	2.50	14	3519	101.54	56	2.10	191	190	7.53			12	3.00	15	3223	93.00	57	2.30	212	171	6.78					11	3.40	16	3071	88.63	57	2.40	242	150	5.95	11	3.80	17	2927	84.47	57	2.50	274	132	5.25	11	4.20	19	2597	74.95	57	2.80	309	117	4.66	10	4.50	21	2357	68.01	57	3.00	363	100	3.97	10	4.70	11	4415	127.42	26	0.90	GFA97 GFAF97 GF97 GFF97	4P	68	534	21.17	6.2	1.05	13	3915	112.99	29	1.05	75	482			19.11	6.2	1.15	14	3540	102.16	30	1.15	86	424	16.81	6.1	1.35	91	400	15.88	6.1	1.40																																																																																																																																																																																				
25	1470	58.32	14	0.95			5.5	8559	260	86	1.40			26	1393	55.27	15	1.00			6.4	7407	225	86	1.60	30	1219	48.37	16	1.15	GFA77 GFAF77 GF77 GFF77	4P	3.3	14221	432	81	0.85	GFA157 GFAF157 GF157 GFF157	8P	33	1098	43.58			17	1.30	3.8	12476	379			85	0.95	38	963	38.23			17	1.45	2.7	18561	267.82			90	0.90	43	850	33.74	18	1.65	3.3	15006	216.53	100	1.10	48	754	29.91	18	1.85	4.1	12160			175.46	106	1.35	56	644			25.54	18	2.10			4.4	11242	162.21	108	1.50			46	794	31.51	18	1.65	GFA77 GFAF77 GF77 GFF77	4P	5.1	9831	141.86	111	1.70	50	725	28.75	18	1.85			6.0	8280	119.47	112	1.90	56	643	25.50	18	2.20	6.7	7471			107.80	114	2.20	67	540	21.43	19	2.60	7.5	6677	96.35	114	2.50	73	496	19.70	19	2.80	8.7	5712	82.42	114	2.80	82	441	17.49	19	3.10	9.5	5280			76.19	114	3.10	92	394	15.64	19	3.50	11	4618			66.63	114	3.60	53	691	27.41	10	1.10	GFA77 GFAF77 GF77 GFF77	4P	4.2	11899	171.70	85	0.95	GFA127 GFAF127 GF127 GFF127	8P	57	633	25.13			11	1.20	4.7	10681	154.12			86	1.05	65	556	22.05			11	1.40	5.7	8678	125.22			86	1.30	69	527	20.90	11	1.45	6.3	7912	114.16	86	1.40	79	461	18.29	12	1.65	6.7	7474	215.69	47	0.95	87	415	16.48			12	1.85	7.2	6918	199.64			48	1.05	100			364	14.46	12	2.10	8.0	6200	178.93			50	1.15	113	322	12.76	12	2.40	GFA67 GFAF67 GF67 GFF67	4P	8.9	5598	161.54	51	1.30	127	285	11.31	12	2.70			9.8	5084	146.72	53	1.45	149	243	9.66	12	3.20	11	4511			130.18	54	1.60	159	229	9.08	12	2.20	12	4093	118.13	55	1.75	167	217	8.60	12	2.50	14	3519	101.54	56	2.10	191	190	7.53	12	3.00	15	3223	93.00	57	2.30	212	171	6.78			11	3.40	16	3071	88.63	57	2.40	242	150	5.95	11	3.80			17	2927	84.47	57	2.50	274	132	5.25	11	4.20	19	2597	74.95	57	2.80	309	117	4.66	10	4.50	21	2357	68.01	57	3.00	363	100	3.97	10	4.70	11	4415	127.42	26	0.90	GFA97 GFAF97 GF97 GFF97	4P	68	534	21.17	6.2	1.05	13	3915	112.99	29	1.05			75	482	19.11	6.2	1.15	14	3540	102.16	30	1.15	86	424			16.81	6.1	1.35	91	400	15.88	6.1	1.40																																																																																																																																																																																														
26	1393	55.27	15	1.00			6.4	7407	225	86	1.60	30	1219	48.37	16	1.15	GFA77 GFAF77 GF77 GFF77	4P	3.3	14221	432	81	0.85	GFA157 GFAF157 GF157 GFF157	8P	33	1098	43.58	17	1.30			3.8	12476	379	85	0.95			38	963	38.23			17	1.45	2.7	18561	267.82			90	0.90	43	850	33.74			18	1.65	3.3	15006	216.53			100	1.10	48	754	29.91	18	1.85	4.1	12160	175.46	106	1.35	56	644	25.54	18	2.10	4.4	11242			162.21	108	1.50	46	794			31.51	18	1.65	GFA77 GFAF77 GF77 GFF77	4P	5.1	9831	141.86	111	1.70	50	725	28.75	18	1.85	6.0	8280			119.47	112	1.90	56	643	25.50	18	2.20	6.7	7471			107.80	114	2.20	67	540	21.43	19	2.60	7.5	6677	96.35	114			2.50	73	496	19.70	19	2.80	8.7	5712	82.42	114	2.80	82	441	17.49	19	3.10	9.5	5280	76.19	114	3.10	92	394	15.64	19	3.50	11	4618	66.63	114			3.60	53	691	27.41	10	1.10	GFA77 GFAF77 GF77 GFF77	4P	4.2	11899	171.70	85	0.95	GFA127 GFAF127 GF127 GFF127	8P	57	633	25.13	11	1.20			4.7	10681	154.12	86	1.05			65	556	22.05			11	1.40	5.7	8678	125.22			86	1.30	69	527	20.90			11	1.45	6.3	7912	114.16			86	1.40	79	461	18.29	12	1.65	6.7	7474	215.69	47	0.95	87	415	16.48	12	1.85	7.2	6918	199.64	48	1.05	100	364	14.46			12	2.10	8.0	6200	178.93			50	1.15	113	322	12.76	12	2.40	GFA67 GFAF67 GF67 GFF67	4P	8.9	5598	161.54	51	1.30	127	285	11.31	12	2.70	9.8	5084			146.72	53	1.45	149	243	9.66	12	3.20	11	4511			130.18	54	1.60	159	229	9.08	12	2.20	12	4093	118.13	55			1.75	167	217	8.60	12	2.50	14	3519	101.54	56	2.10	191	190	7.53	12	3.00	15	3223	93.00	57	2.30	212	171	6.78	11	3.40	16	3071	88.63	57	2.40	242	150	5.95	11	3.80			17	2927	84.47	57	2.50	274	132	5.25	11	4.20	19	2597	74.95	57	2.80	309	117	4.66	10	4.50	21	2357	68.01	57	3.00	363	100	3.97	10	4.70	11	4415	127.42	26	0.90	GFA97 GFAF97 GF97 GFF97	4P	68	534	21.17	6.2	1.05	13	3915	112.99	29	1.05	75	482			19.11	6.2	1.15	14	3540	102.16	30	1.15	86	424			16.81	6.1	1.35	91	400	15.88	6.1	1.40																																																																																																																																																																																																												
30	1219	48.37	16	1.15	GFA77 GFAF77 GF77 GFF77	4P	3.3	14221	432	81	0.85	GFA157 GFAF157 GF157 GFF157	8P																																																																																																																																																																																																																																																																																																																																																																																																																																																																																																																																																																																																																																
33	1098	43.58	17	1.30			3.8	12476	379	85	0.95			38	963	38.23			17	1.45	2.7	18561	267.82			90	0.90	43	850	33.74			18	1.65	3.3	15006	216.53			100	1.10	48			754	29.91	18	1.85	4.1			12160	175.46	106	1.35	56			644	25.54	18	2.10	4.4			11242	162.21	108	1.50	46	794	31.51	18	1.65	GFA77 GFAF77 GF77 GFF77	4P	5.1	9831	141.86	111	1.70	50	725	28.75	18	1.85	6.0	8280	119.47	112	1.90	56	643	25.50	18	2.20			6.7	7471	107.80	114	2.20	67	540	21.43	19	2.60	7.5	6677			96.35	114	2.50	73	496	19.70	19	2.80	8.7	5712			82.42	114	2.80	82	441	17.49	19	3.10	9.5	5280	76.19	114			3.10	92	394	15.64	19	3.50	11	4618	66.63	114	3.60	53	691	27.41	10	1.10	GFA77 GFAF77 GF77 GFF77	4P	4.2	11899	171.70	85	0.95	GFA127 GFAF127 GF127 GFF127	8P	57	633	25.13	11	1.20	4.7	10681	154.12	86	1.05	65	556	22.05			11	1.40	5.7	8678	125.22			86	1.30	69	527	20.90			11	1.45	6.3	7912	114.16			86	1.40	79			461	18.29	12	1.65	6.7			7474	215.69	47	0.95	87			415	16.48	12	1.85	7.2			6918	199.64	48	1.05	100	364	14.46	12	2.10	8.0	6200	178.93	50	1.15	113	322	12.76	12	2.40	GFA67 GFAF67 GF67 GFF67	4P	8.9	5598	161.54	51	1.30	127	285	11.31	12	2.70	9.8	5084	146.72	53	1.45	149	243	9.66	12	3.20			11	4511	130.18	54	1.60	159	229	9.08	12	2.20	12	4093			118.13	55	1.75	167	217	8.60	12	2.50	14	3519			101.54	56	2.10	191	190	7.53	12	3.00	15	3223	93.00	57			2.30	212	171	6.78	11	3.40	16	3071	88.63	57	2.40	242	150	5.95	11	3.80	17	2927	84.47	57	2.50	274	132	5.25	11	4.20	19	2597	74.95	57	2.80	309	117	4.66	10	4.50	21	2357	68.01	57	3.00	363	100	3.97	10	4.70	11	4415	127.42	26	0.90	GFA97 GFAF97 GF97 GFF97	4P	68	534	21.17	6.2	1.05	13	3915	112.99	29	1.05	75	482	19.11	6.2	1.15	14	3540	102.16	30	1.15			86	424	16.81	6.1	1.35	91	400	15.88	6.1	1.40																																																																																																																																																																																																																																				
38	963	38.23	17	1.45			2.7	18561	267.82	90	0.90			43	850	33.74			18	1.65	3.3	15006	216.53			100	1.10	48	754	29.91			18	1.85	4.1	12160	175.46			106	1.35	56			644	25.54	18	2.10	4.4			11242	162.21	108	1.50	46	794	31.51	18	1.65	GFA77 GFAF77 GF77 GFF77	4P	5.1	9831	141.86	111	1.70	50	725	28.75	18	1.85	6.0	8280			119.47	112	1.90	56	643	25.50	18	2.20	6.7	7471	107.80	114	2.20	67	540	21.43	19	2.60	7.5	6677			96.35	114	2.50	73	496	19.70	19	2.80	8.7	5712	82.42	114			2.80	82	441	17.49	19	3.10	9.5	5280	76.19	114			3.10	92	394	15.64	19	3.50	11	4618	66.63	114	3.60	53	691	27.41	10	1.10	GFA77 GFAF77 GF77 GFF77	4P	4.2	11899	171.70	85	0.95	GFA127 GFAF127 GF127 GFF127	8P	57	633	25.13	11	1.20			4.7	10681	154.12	86	1.05			65	556	22.05	11	1.40	5.7	8678	125.22	86	1.30	69	527	20.90			11	1.45	6.3	7912	114.16			86	1.40	79	461	18.29			12	1.65	6.7	7474	215.69			47	0.95	87			415	16.48	12	1.85	7.2			6918	199.64	48	1.05	100	364	14.46	12	2.10	8.0	6200	178.93	50	1.15	113	322	12.76	12	2.40	GFA67 GFAF67 GF67 GFF67	4P	8.9	5598	161.54	51	1.30	127	285	11.31	12	2.70	9.8	5084			146.72	53	1.45	149	243	9.66	12	3.20	11	4511	130.18	54	1.60	159	229	9.08	12	2.20	12	4093			118.13	55	1.75	167	217	8.60	12	2.50	14	3519	101.54	56			2.10	191	190	7.53	12	3.00	15	3223	93.00	57			2.30	212	171	6.78	11	3.40	16	3071	88.63	57	2.40	242	150	5.95	11	3.80	17	2927	84.47	57	2.50	274	132	5.25	11	4.20	19	2597	74.95	57	2.80	309	117	4.66	10	4.50	21	2357	68.01	57	3.00	363	100	3.97	10	4.70	11	4415	127.42	26	0.90	GFA97 GFAF97 GF97 GFF97	4P	68	534	21.17	6.2	1.05	13	3915	112.99	29	1.05	75	482			19.11	6.2	1.15	14	3540	102.16	30	1.15	86	424	16.81	6.1	1.35	91	400	15.88	6.1	1.40																																																																																																																																																																																																																																																		
43	850	33.74	18	1.65			3.3	15006	216.53	100	1.10			48	754	29.91			18	1.85	4.1	12160	175.46			106	1.35	56	644	25.54			18	2.10	4.4	11242	162.21			108	1.50	46	794	31.51	18	1.65	GFA77 GFAF77 GF77 GFF77	4P	5.1	9831	141.86	111	1.70	50	725	28.75	18	1.85	6.0	8280			119.47	112	1.90	56	643	25.50	18	2.20	6.7	7471	107.80	114			2.20	67	540	21.43	19	2.60	7.5	6677	96.35	114	2.50	73	496	19.70	19	2.80	8.7	5712	82.42	114			2.80	82	441	17.49	19	3.10	9.5	5280	76.19	114	3.10	92			394	15.64	19	3.50	11	4618	66.63	114	3.60	53	691	27.41	10	1.10	GFA77 GFAF77 GF77 GFF77	4P	4.2	11899	171.70	85	0.95	GFA127 GFAF127 GF127 GFF127	8P	57	633	25.13	11	1.20			4.7	10681	154.12	86	1.05			65	556	22.05	11	1.40			5.7	8678	125.22	86	1.30			69	527	20.90	11	1.45	6.3	7912	114.16	86	1.40	79	461	18.29			12	1.65	6.7	7474	215.69			47	0.95	87	415	16.48			12	1.85	7.2	6918	199.64			48	1.05	100	364	14.46	12	2.10	8.0	6200	178.93	50	1.15	113	322	12.76	12	2.40	GFA67 GFAF67 GF67 GFF67	4P	8.9	5598	161.54	51	1.30	127	285	11.31	12	2.70	9.8	5084			146.72	53	1.45	149	243	9.66	12	3.20	11	4511	130.18	54			1.60	159	229	9.08	12	2.20	12	4093	118.13	55	1.75	167	217	8.60	12	2.50	14	3519	101.54	56			2.10	191	190	7.53	12	3.00	15	3223	93.00	57	2.30	212			171	6.78	11	3.40	16	3071	88.63	57	2.40	242	150	5.95	11	3.80	17	2927	84.47	57	2.50	274	132	5.25	11	4.20	19	2597	74.95	57	2.80	309	117	4.66	10	4.50	21	2357	68.01	57	3.00	363	100	3.97	10	4.70	11	4415	127.42	26	0.90	GFA97 GFAF97 GF97 GFF97	4P	68	534	21.17	6.2	1.05	13	3915	112.99	29	1.05	75	482			19.11	6.2	1.15	14	3540	102.16	30	1.15	86	424	16.81	6.1			1.35	91	400	15.88	6.1	1.40																																																																																																																																																																																																																																																														
48	754	29.91	18	1.85			4.1	12160	175.46	106	1.35			56	644	25.54			18	2.10	4.4	11242	162.21			108	1.50	46	794	31.51	18	1.65	GFA77 GFAF77 GF77 GFF77	4P	5.1	9831	141.86	111	1.70	50	725	28.75	18	1.85	6.0	8280			119.47	112	1.90	56	643	25.50	18	2.20	6.7	7471	107.80	114			2.20	67	540	21.43	19	2.60	7.5	6677	96.35	114	2.50	73			496	19.70	19	2.80	8.7	5712	82.42	114	2.80	82	441	17.49	19	3.10	9.5	5280	76.19	114	3.10	92			394	15.64	19	3.50	11	4618	66.63	114	3.60	53	691	27.41	10	1.10	GFA77 GFAF77 GF77 GFF77	4P	4.2	11899	171.70	85	0.95	GFA127 GFAF127 GF127 GFF127	8P	57	633	25.13	11	1.20			4.7	10681	154.12	86	1.05			65	556	22.05	11	1.40			5.7	8678	125.22	86	1.30			69	527	20.90	11	1.45			6.3	7912	114.16	86	1.40			79	461	18.29	12	1.65	6.7	7474	215.69	47	0.95	87	415	16.48			12	1.85	7.2	6918	199.64			48	1.05	100	364	14.46	12	2.10	8.0	6200	178.93	50	1.15	113	322	12.76	12	2.40	GFA67 GFAF67 GF67 GFF67	4P	8.9	5598	161.54	51	1.30	127	285	11.31	12	2.70	9.8	5084			146.72	53	1.45	149	243	9.66	12	3.20	11	4511	130.18	54			1.60	159	229	9.08	12	2.20	12	4093	118.13	55	1.75	167			217	8.60	12	2.50	14	3519	101.54	56	2.10	191	190	7.53	12	3.00	15	3223	93.00	57	2.30	212			171	6.78	11	3.40	16	3071	88.63	57	2.40	242	150	5.95	11	3.80	17	2927	84.47	57	2.50	274	132	5.25	11	4.20	19	2597	74.95	57	2.80	309	117	4.66	10	4.50	21	2357	68.01	57	3.00	363	100	3.97	10	4.70	11	4415	127.42	26	0.90	GFA97 GFAF97 GF97 GFF97	4P	68	534	21.17	6.2	1.05	13	3915	112.99	29	1.05	75	482			19.11	6.2	1.15	14	3540	102.16	30	1.15	86	424	16.81	6.1			1.35	91	400	15.88	6.1	1.40																																																																																																																																																																																																																																																																												
56	644	25.54	18	2.10			4.4	11242	162.21	108	1.50			46	794	31.51	18	1.65	GFA77 GFAF77 GF77 GFF77	4P	5.1	9831	141.86	111	1.70	50	725	28.75	18	1.85	6.0	8280			119.47	112	1.90	56	643	25.50	18	2.20	6.7	7471	107.80	114			2.20	67	540	21.43	19	2.60	7.5	6677	96.35	114	2.50	73			496	19.70	19	2.80	8.7	5712	82.42	114	2.80	82	441	17.49			19	3.10	9.5	5280	76.19	114	3.10	92	394	15.64	19	3.50	11	4618	66.63	114	3.60	53	691	27.41	10	1.10	GFA77 GFAF77 GF77 GFF77	4P	4.2	11899	171.70	85	0.95	GFA127 GFAF127 GF127 GFF127	8P	57	633	25.13	11	1.20			4.7	10681	154.12	86	1.05			65	556	22.05	11	1.40			5.7	8678	125.22	86	1.30			69	527	20.90	11	1.45			6.3	7912	114.16	86	1.40			79	461	18.29	12	1.65			6.7	7474	215.69	47	0.95			87	415	16.48	12	1.85	7.2	6918	199.64	48	1.05	100	364	14.46	12	2.10	8.0	6200	178.93	50	1.15	113	322	12.76	12	2.40	GFA67 GFAF67 GF67 GFF67	4P	8.9	5598	161.54	51	1.30	127	285	11.31	12	2.70	9.8	5084			146.72	53	1.45	149	243	9.66	12	3.20	11	4511	130.18	54			1.60	159	229	9.08	12	2.20	12	4093	118.13	55	1.75	167			217	8.60	12	2.50	14	3519	101.54	56	2.10	191	190	7.53			12	3.00	15	3223	93.00	57	2.30	212	171	6.78	11	3.40	16	3071	88.63	57	2.40	242	150	5.95	11	3.80	17	2927	84.47	57	2.50	274	132	5.25	11	4.20	19	2597	74.95	57	2.80	309	117	4.66	10	4.50	21	2357	68.01	57	3.00	363	100	3.97	10	4.70	11	4415	127.42	26	0.90	GFA97 GFAF97 GF97 GFF97	4P	68	534	21.17	6.2	1.05	13	3915	112.99	29	1.05	75	482			19.11	6.2	1.15	14	3540	102.16	30	1.15	86	424	16.81	6.1			1.35	91	400	15.88	6.1	1.40																																																																																																																																																																																																																																																																																										
46	794	31.51	18	1.65	GFA77 GFAF77 GF77 GFF77	4P	5.1	9831	141.86	111	1.70	50	725	28.75	18	1.85	6.0	8280			119.47	112	1.90	56	643	25.50	18	2.20	6.7	7471	107.80	114			2.20	67	540	21.43	19	2.60	7.5	6677	96.35	114	2.50	73			496	19.70	19	2.80	8.7	5712	82.42	114	2.80	82	441	17.49			19	3.10	9.5	5280	76.19	114	3.10	92	394	15.64	19	3.50			11	4618	66.63	114	3.60	53	691	27.41	10	1.10	GFA77 GFAF77 GF77 GFF77	4P	4.2	11899	171.70	85	0.95	GFA127 GFAF127 GF127 GFF127	8P	57	633	25.13			11	1.20	4.7	10681	154.12			86	1.05	65	556	22.05			11	1.40	5.7	8678	125.22			86	1.30	69	527	20.90			11	1.45	6.3	7912	114.16			86	1.40	79	461	18.29			12	1.65	6.7	7474	215.69			47	0.95	87	415	16.48			12	1.85	7.2	6918	199.64			48	1.05	100	364	14.46	12	2.10	8.0	6200	178.93	50	1.15	113	322	12.76	12	2.40	GFA67 GFAF67 GF67 GFF67	4P	8.9	5598	161.54	51	1.30	127			285	11.31	12	2.70	9.8	5084	146.72	53	1.45	149	243	9.66			12	3.20	11	4511	130.18	54	1.60	159	229	9.08	12	2.20			12	4093	118.13	55	1.75	167	217	8.60	12	2.50	14	3519			101.54	56	2.10	191	190	7.53	12	3.00	15	3223	93.00	57			2.30	212	171	6.78	11	3.40	16	3071	88.63	57	2.40	242	150	5.95	11	3.80	17	2927	84.47	57	2.50	274	132	5.25	11	4.20	19	2597	74.95	57	2.80	309	117	4.66	10	4.50	21	2357	68.01	57	3.00	363	100	3.97	10	4.70	11	4415	127.42	26	0.90	GFA97 GFAF97 GF97 GFF97	4P	68	534	21.17	6.2			1.05	13	3915	112.99	29	1.05	75	482	19.11	6.2	1.15	14			3540	102.16	30	1.15	86	424	16.81	6.1	1.35	91	400	15.88			6.1	1.40																																																																																																																																																																																																																																																																																														
50	725	28.75	18	1.85			6.0	8280	119.47	112	1.90	56	643	25.50	18	2.20	6.7	7471			107.80	114	2.20	67	540	21.43	19	2.60	7.5	6677	96.35	114			2.50	73	496	19.70	19	2.80	8.7	5712	82.42	114	2.80	82			441	17.49	19	3.10	9.5	5280	76.19	114	3.10	92	394	15.64			19	3.50	11	4618	66.63	114	3.60	53	691	27.41	10	1.10	GFA77 GFAF77 GF77 GFF77	4P	4.2	11899	171.70	85	0.95	GFA127 GFAF127 GF127 GFF127	8P	57	633	25.13			11	1.20	4.7	10681	154.12			86	1.05	65			556	22.05	11	1.40	5.7			8678	125.22	86	1.30	69			527	20.90	11	1.45	6.3			7912	114.16	86	1.40	79			461	18.29	12	1.65	6.7			7474	215.69	47	0.95	87			415	16.48	12	1.85	7.2			6918	199.64	48	1.05	100	364	14.46	12	2.10	8.0	6200	178.93	50	1.15	113	322	12.76	12	2.40	GFA67 GFAF67 GF67 GFF67	4P	8.9	5598	161.54	51	1.30	127	285	11.31	12	2.70			9.8	5084	146.72	53	1.45	149			243	9.66	12	3.20	11	4511	130.18	54	1.60	159	229	9.08			12	2.20	12	4093	118.13	55	1.75	167	217	8.60	12	2.50			14	3519	101.54	56	2.10	191	190	7.53	12	3.00	15	3223			93.00	57	2.30	212	171	6.78	11	3.40	16	3071	88.63	57	2.40	242	150	5.95	11	3.80	17	2927	84.47	57	2.50	274	132	5.25	11	4.20	19	2597	74.95	57	2.80	309	117	4.66	10	4.50	21	2357	68.01	57	3.00	363	100	3.97	10	4.70	11	4415	127.42	26	0.90	GFA97 GFAF97 GF97 GFF97	4P	68	534	21.17	6.2	1.05	13	3915	112.99	29	1.05			75	482	19.11	6.2			1.15	14	3540	102.16	30	1.15	86	424	16.81	6.1	1.35	91			400	15.88	6.1	1.40																																																																																																																																																																																																																																																																																																										
56	643	25.50	18	2.20			6.7	7471	107.80	114	2.20	67	540	21.43	19	2.60	7.5	6677			96.35	114	2.50	73	496	19.70	19	2.80	8.7	5712	82.42	114			2.80	82	441	17.49	19	3.10	9.5	5280	76.19	114	3.10	92			394	15.64	19	3.50	11	4618	66.63	114	3.60	53	691	27.41	10	1.10	GFA77 GFAF77 GF77 GFF77	4P	4.2	11899	171.70	85	0.95	GFA127 GFAF127 GF127 GFF127	8P	57	633	25.13			11	1.20	4.7	10681	154.12			86	1.05	65			556	22.05	11	1.40	5.7			8678	125.22	86			1.30	69	527	20.90	11			1.45	6.3	7912	114.16	86			1.40	79	461	18.29	12			1.65	6.7	7474	215.69	47			0.95	87	415	16.48	12			1.85	7.2	6918	199.64	48	1.05	100	364	14.46	12	2.10	8.0	6200	178.93	50	1.15	113	322	12.76	12	2.40	GFA67 GFAF67 GF67 GFF67	4P	8.9	5598	161.54	51	1.30	127	285	11.31	12	2.70			9.8	5084	146.72	53	1.45	149	243	9.66	12	3.20			11	4511	130.18	54	1.60	159			229	9.08	12	2.20	12	4093	118.13	55	1.75	167	217	8.60			12	2.50	14	3519	101.54	56	2.10	191	190	7.53	12	3.00			15	3223	93.00	57	2.30	212	171	6.78	11	3.40	16	3071	88.63	57	2.40	242	150	5.95	11	3.80	17	2927	84.47	57	2.50	274	132	5.25	11	4.20	19	2597	74.95	57	2.80	309	117	4.66	10	4.50	21	2357	68.01	57	3.00	363	100	3.97	10	4.70	11	4415	127.42	26	0.90	GFA97 GFAF97 GF97 GFF97	4P	68	534	21.17	6.2	1.05	13	3915	112.99	29	1.05			75	482	19.11	6.2	1.15	14	3540	102.16	30	1.15			86	424	16.81	6.1			1.35	91	400	15.88	6.1	1.40																																																																																																																																																																																																																																																																																																																						
67	540	21.43	19	2.60			7.5	6677	96.35	114	2.50	73	496	19.70	19	2.80	8.7	5712			82.42	114	2.80	82	441	17.49	19	3.10	9.5	5280	76.19	114			3.10	92	394	15.64	19	3.50	11	4618	66.63	114	3.60	53	691	27.41	10	1.10	GFA77 GFAF77 GF77 GFF77	4P	4.2	11899	171.70	85	0.95	GFA127 GFAF127 GF127 GFF127	8P	57	633	25.13			11	1.20	4.7	10681	154.12			86	1.05	65			556	22.05	11	1.40	5.7			8678	125.22	86			1.30	69	527	20.90	11			1.45	6.3	7912			114.16	86	1.40	79	461			18.29	12	1.65	6.7	7474			215.69	47	0.95	87	415			16.48	12	1.85	7.2	6918	199.64	48	1.05	100	364	14.46	12	2.10	8.0	6200	178.93	50	1.15	113	322	12.76	12	2.40	GFA67 GFAF67 GF67 GFF67	4P	8.9	5598	161.54	51	1.30	127	285	11.31	12	2.70			9.8	5084	146.72	53	1.45	149	243	9.66	12	3.20			11	4511	130.18	54	1.60	159	229	9.08	12	2.20			12	4093	118.13	55	1.75	167			217	8.60	12	2.50	14	3519	101.54	56	2.10	191	190	7.53			12	3.00	15	3223	93.00	57	2.30	212	171	6.78	11	3.40	16	3071	88.63	57	2.40	242	150	5.95	11	3.80	17	2927	84.47	57	2.50	274	132	5.25	11	4.20	19	2597	74.95	57	2.80	309	117	4.66	10	4.50	21	2357	68.01	57	3.00	363	100	3.97	10	4.70	11	4415	127.42	26	0.90	GFA97 GFAF97 GF97 GFF97	4P	68	534	21.17	6.2	1.05	13	3915	112.99	29	1.05			75	482	19.11	6.2	1.15	14	3540	102.16	30	1.15			86	424	16.81	6.1	1.35	91	400	15.88	6.1	1.40																																																																																																																																																																																																																																																																																																																																				
73	496	19.70	19	2.80			8.7	5712	82.42	114	2.80	82	441	17.49	19	3.10	9.5	5280			76.19	114	3.10	92	394	15.64	19	3.50	11	4618	66.63	114	3.60	53	691	27.41	10	1.10	GFA77 GFAF77 GF77 GFF77	4P	4.2	11899	171.70	85	0.95	GFA127 GFAF127 GF127 GFF127	8P	57	633	25.13			11	1.20	4.7	10681	154.12			86	1.05	65			556	22.05	11	1.40	5.7			8678	125.22	86			1.30	69	527	20.90	11			1.45	6.3	7912			114.16	86	1.40	79	461			18.29	12	1.65			6.7	7474	215.69	47	0.95			87	415	16.48	12	1.85	7.2	6918	199.64	48	1.05	100	364	14.46	12	2.10	8.0	6200	178.93	50	1.15	113	322	12.76	12	2.40	GFA67 GFAF67 GF67 GFF67	4P	8.9	5598	161.54	51	1.30	127	285	11.31	12	2.70			9.8	5084	146.72	53	1.45	149	243	9.66	12	3.20			11	4511	130.18	54	1.60	159	229	9.08	12	2.20			12	4093	118.13	55	1.75	167	217	8.60	12	2.50			14	3519	101.54	56	2.10	191			190	7.53	12	3.00	15	3223	93.00	57	2.30	212	171	6.78	11	3.40	16	3071	88.63	57	2.40	242	150	5.95	11	3.80	17	2927	84.47	57	2.50	274	132	5.25	11	4.20	19	2597	74.95	57	2.80	309	117	4.66	10	4.50	21	2357	68.01	57	3.00	363	100	3.97	10	4.70	11	4415	127.42	26	0.90	GFA97 GFAF97 GF97 GFF97	4P	68	534	21.17	6.2	1.05	13	3915	112.99	29	1.05			75	482	19.11	6.2	1.15	14	3540	102.16	30	1.15			86	424	16.81	6.1	1.35	91	400	15.88	6.1	1.40																																																																																																																																																																																																																																																																																																																																																
82	441	17.49	19	3.10			9.5	5280	76.19	114	3.10	92	394	15.64	19	3.50	11	4618	66.63	114	3.60	53	691	27.41	10	1.10	GFA77 GFAF77 GF77 GFF77	4P	4.2	11899	171.70	85	0.95	GFA127 GFAF127 GF127 GFF127	8P	57	633	25.13			11	1.20	4.7	10681	154.12			86	1.05	65			556	22.05	11	1.40	5.7			8678	125.22	86			1.30	69	527	20.90	11			1.45	6.3	7912			114.16	86	1.40	79	461			18.29	12	1.65			6.7	7474	215.69	47	0.95			87	415	16.48	12	1.85	7.2	6918	199.64	48	1.05	100	364	14.46	12	2.10	8.0	6200	178.93	50	1.15	113	322	12.76	12	2.40	GFA67 GFAF67 GF67 GFF67	4P	8.9	5598	161.54	51	1.30	127	285	11.31	12	2.70			9.8	5084	146.72	53	1.45	149	243	9.66	12	3.20			11	4511	130.18	54	1.60	159	229	9.08	12	2.20			12	4093	118.13	55	1.75	167	217	8.60	12	2.50			14	3519	101.54	56	2.10	191	190	7.53	12	3.00			15	3223	93.00	57	2.30	212	171	6.78	11	3.40	16	3071	88.63	57	2.40	242	150	5.95	11	3.80	17	2927	84.47	57	2.50	274	132	5.25	11	4.20	19	2597	74.95	57	2.80	309	117	4.66	10	4.50	21	2357	68.01	57	3.00	363	100	3.97	10	4.70	11	4415	127.42	26	0.90	GFA97 GFAF97 GF97 GFF97	4P	68	534	21.17	6.2	1.05	13	3915	112.99	29	1.05			75	482	19.11	6.2	1.15	14	3540	102.16	30	1.15			86	424	16.81	6.1	1.35	91	400	15.88	6.1	1.40																																																																																																																																																																																																																																																																																																																																																												
92	394	15.64	19	3.50	11	4618	66.63	114	3.60	53	691	27.41	10	1.10	GFA77 GFAF77 GF77 GFF77	4P	4.2	11899	171.70	85	0.95	GFA127 GFAF127 GF127 GFF127	8P	57	633	25.13			11	1.20	4.7	10681	154.12			86	1.05	65			556	22.05	11	1.40	5.7			8678	125.22	86			1.30	69	527	20.90	11			1.45	6.3	7912			114.16	86	1.40	79	461			18.29	12	1.65			6.7	7474	215.69	47	0.95			87	415	16.48	12	1.85	7.2	6918	199.64	48	1.05	100	364	14.46	12	2.10	8.0	6200	178.93	50	1.15	113	322	12.76	12	2.40	GFA67 GFAF67 GF67 GFF67	4P	8.9	5598	161.54	51	1.30	127	285	11.31	12	2.70			9.8	5084	146.72	53	1.45	149	243	9.66	12	3.20			11	4511	130.18	54	1.60	159	229	9.08	12	2.20			12	4093	118.13	55	1.75	167	217	8.60	12	2.50			14	3519	101.54	56	2.10	191	190	7.53	12	3.00			15	3223	93.00	57	2.30	212	171	6.78	11	3.40	16	3071	88.63	57	2.40	242	150	5.95	11	3.80	17	2927	84.47	57	2.50	274	132	5.25	11	4.20	19	2597	74.95	57	2.80	309	117	4.66	10	4.50	21	2357	68.01	57	3.00	363	100	3.97	10	4.70	11	4415	127.42	26	0.90	GFA97 GFAF97 GF97 GFF97	4P	68	534	21.17	6.2	1.05	13	3915	112.99	29	1.05			75	482	19.11	6.2	1.15	14	3540	102.16	30	1.15			86	424	16.81	6.1	1.35	91	400	15.88	6.1	1.40																																																																																																																																																																																																																																																																																																																																																																								
53	691	27.41	10	1.10	GFA77 GFAF77 GF77 GFF77	4P	4.2	11899	171.70	85	0.95	GFA127 GFAF127 GF127 GFF127	8P																																																																																																																																																																																																																																																																																																																																																																																																																																																																																																																																																																																																																																
57	633	25.13	11	1.20			4.7	10681	154.12	86	1.05			65			556	22.05	11	1.40	5.7			8678	125.22	86			1.30	69	527	20.90	11			1.45	6.3	7912			114.16	86	1.40	79	461			18.29	12	1.65			6.7	7474	215.69	47	0.95			87	415	16.48	12	1.85	7.2	6918	199.64	48	1.05	100	364	14.46	12	2.10	8.0	6200	178.93	50	1.15	113	322	12.76	12	2.40	GFA67 GFAF67 GF67 GFF67	4P	8.9	5598	161.54	51	1.30	127	285	11.31	12	2.70	9.8	5084	146.72	53	1.45	149	243	9.66	12	3.20	11	4511			130.18	54	1.60	159	229	9.08	12	2.20	12	4093			118.13	55	1.75	167	217	8.60	12	2.50	14	3519			101.54	56	2.10	191	190	7.53	12	3.00	15	3223			93.00	57	2.30	212	171	6.78	11	3.40	16	3071	88.63	57	2.40	242	150	5.95	11	3.80	17	2927	84.47	57	2.50	274	132	5.25	11	4.20	19	2597	74.95	57	2.80	309	117	4.66	10	4.50	21	2357	68.01	57	3.00	363	100	3.97	10	4.70	11	4415	127.42	26	0.90	GFA97 GFAF97 GF97 GFF97	4P	68	534	21.17	6.2	1.05	13	3915	112.99	29	1.05	75	482	19.11	6.2	1.15	14	3540	102.16	30	1.15	86	424	16.81	6.1			1.35	91	400	15.88	6.1	1.40																																																																																																																																																																																																																																																																																																																																																																																																				
65	556	22.05	11	1.40			5.7	8678	125.22	86	1.30			69			527	20.90	11	1.45	6.3			7912	114.16	86			1.40	79	461	18.29	12			1.65	6.7	7474			215.69	47	0.95	87	415			16.48	12	1.85	7.2	6918	199.64	48	1.05	100	364	14.46	12	2.10	8.0	6200	178.93	50	1.15	113	322	12.76	12	2.40	GFA67 GFAF67 GF67 GFF67	4P	8.9	5598	161.54	51	1.30	127	285	11.31	12	2.70	9.8	5084			146.72	53	1.45	149	243	9.66	12	3.20	11	4511	130.18	54	1.60	159	229	9.08	12	2.20	12	4093	118.13	55			1.75	167	217	8.60	12	2.50	14	3519	101.54	56			2.10	191	190	7.53	12	3.00	15	3223	93.00	57			2.30	212	171	6.78	11	3.40	16	3071	88.63	57	2.40	242	150	5.95	11	3.80	17	2927	84.47	57	2.50	274	132	5.25	11	4.20	19	2597	74.95	57	2.80	309	117	4.66	10	4.50	21	2357	68.01	57	3.00	363	100	3.97	10	4.70	11	4415	127.42	26	0.90	GFA97 GFAF97 GF97 GFF97	4P	68	534	21.17	6.2	1.05	13	3915	112.99	29	1.05	75	482			19.11	6.2	1.15	14	3540	102.16	30	1.15	86	424	16.81	6.1	1.35	91	400	15.88	6.1	1.40																																																																																																																																																																																																																																																																																																																																																																																																																		
69	527	20.90	11	1.45			6.3	7912	114.16	86	1.40			79			461	18.29	12	1.65	6.7			7474	215.69	47			0.95	87	415	16.48	12			1.85	7.2	6918	199.64	48	1.05	100	364	14.46	12	2.10	8.0	6200	178.93	50	1.15	113	322	12.76	12	2.40	GFA67 GFAF67 GF67 GFF67	4P	8.9	5598	161.54	51	1.30	127	285	11.31	12	2.70	9.8	5084			146.72	53	1.45	149	243	9.66	12	3.20	11	4511	130.18	54			1.60	159	229	9.08	12	2.20	12	4093	118.13	55	1.75	167	217	8.60	12	2.50	14	3519	101.54	56	2.10	191			190	7.53	12	3.00	15	3223	93.00	57	2.30	212			171	6.78	11	3.40	16	3071	88.63	57	2.40	242	150	5.95	11	3.80	17	2927	84.47	57	2.50	274	132	5.25	11	4.20	19	2597	74.95	57	2.80	309	117	4.66	10	4.50	21	2357	68.01	57	3.00	363	100	3.97	10	4.70	11	4415	127.42	26	0.90	GFA97 GFAF97 GF97 GFF97	4P	68	534	21.17	6.2	1.05	13	3915	112.99	29	1.05	75	482			19.11	6.2	1.15	14	3540	102.16	30	1.15	86	424	16.81	6.1			1.35	91	400	15.88	6.1	1.40																																																																																																																																																																																																																																																																																																																																																																																																																														
79	461	18.29	12	1.65			6.7	7474	215.69	47	0.95			87			415	16.48	12	1.85	7.2			6918	199.64	48	1.05	100	364	14.46	12	2.10	8.0	6200	178.93	50	1.15	113	322	12.76	12	2.40	GFA67 GFAF67 GF67 GFF67	4P	8.9	5598	161.54	51	1.30	127	285	11.31	12	2.70	9.8	5084			146.72	53	1.45	149	243	9.66	12	3.20	11	4511	130.18	54			1.60	159	229	9.08	12	2.20	12	4093	118.13	55	1.75	167			217	8.60	12	2.50	14	3519	101.54	56	2.10	191	190	7.53	12	3.00	15	3223	93.00	57	2.30	212	171	6.78			11	3.40	16	3071	88.63	57	2.40	242	150	5.95	11	3.80	17	2927	84.47	57	2.50	274	132	5.25	11	4.20	19	2597	74.95	57	2.80	309	117	4.66	10	4.50	21	2357	68.01	57	3.00	363	100	3.97	10	4.70	11	4415	127.42	26	0.90	GFA97 GFAF97 GF97 GFF97	4P	68	534	21.17	6.2	1.05	13	3915	112.99	29	1.05	75	482			19.11	6.2	1.15	14	3540	102.16	30	1.15	86	424	16.81	6.1			1.35	91	400	15.88	6.1	1.40																																																																																																																																																																																																																																																																																																																																																																																																																																												
87	415	16.48	12	1.85			7.2	6918	199.64	48	1.05			100	364	14.46	12	2.10	8.0	6200	178.93	50	1.15	113	322	12.76	12	2.40	GFA67 GFAF67 GF67 GFF67	4P	8.9	5598	161.54	51	1.30	127	285	11.31	12	2.70	9.8	5084			146.72	53	1.45	149	243	9.66	12	3.20	11	4511	130.18	54			1.60	159	229	9.08	12	2.20	12	4093	118.13	55	1.75	167			217	8.60	12	2.50	14	3519	101.54	56	2.10	191	190	7.53			12	3.00	15	3223	93.00	57	2.30	212	171	6.78	11	3.40	16	3071	88.63	57	2.40	242	150	5.95	11	3.80	17	2927	84.47	57	2.50	274	132	5.25	11	4.20	19	2597	74.95	57	2.80	309	117	4.66	10	4.50	21	2357	68.01	57	3.00	363	100	3.97	10	4.70	11	4415	127.42	26	0.90	GFA97 GFAF97 GF97 GFF97	4P	68	534	21.17	6.2	1.05	13	3915	112.99	29	1.05	75	482			19.11	6.2	1.15	14	3540	102.16	30	1.15	86	424	16.81	6.1			1.35	91	400	15.88	6.1	1.40																																																																																																																																																																																																																																																																																																																																																																																																																																																										
100	364	14.46	12	2.10	8.0	6200	178.93	50	1.15	113	322	12.76	12	2.40	GFA67 GFAF67 GF67 GFF67	4P	8.9	5598	161.54	51	1.30	127	285	11.31	12	2.70	9.8	5084			146.72	53	1.45	149	243	9.66	12	3.20	11	4511	130.18	54			1.60	159	229	9.08	12	2.20	12	4093	118.13	55	1.75	167			217	8.60	12	2.50	14	3519	101.54	56	2.10	191	190	7.53			12	3.00	15	3223	93.00	57	2.30	212	171	6.78	11	3.40			16	3071	88.63	57	2.40	242	150	5.95	11	3.80	17	2927	84.47	57	2.50	274	132	5.25	11	4.20	19	2597	74.95	57	2.80	309	117	4.66	10	4.50	21	2357	68.01	57	3.00	363	100	3.97	10	4.70	11	4415	127.42	26	0.90	GFA97 GFAF97 GF97 GFF97	4P	68	534	21.17	6.2	1.05	13	3915	112.99	29	1.05			75	482	19.11	6.2	1.15	14	3540	102.16	30	1.15	86	424			16.81	6.1	1.35	91	400	15.88	6.1	1.40																																																																																																																																																																																																																																																																																																																																																																																																																																																																						
113	322	12.76	12	2.40	GFA67 GFAF67 GF67 GFF67	4P	8.9	5598	161.54	51	1.30	127	285	11.31			12	2.70	9.8	5084	146.72	53	1.45	149	243	9.66	12	3.20			11	4511	130.18	54	1.60	159	229	9.08	12	2.20	12	4093			118.13	55	1.75	167	217	8.60	12	2.50	14	3519	101.54	56			2.10	191	190	7.53	12	3.00	15	3223	93.00	57	2.30	212			171	6.78	11	3.40	16	3071	88.63	57	2.40	242	150	5.95	11	3.80	17	2927	84.47	57	2.50	274	132	5.25	11	4.20	19	2597	74.95	57	2.80	309	117	4.66	10	4.50	21	2357	68.01	57	3.00	363	100	3.97	10	4.70	11	4415	127.42	26	0.90	GFA97 GFAF97 GF97 GFF97	4P	68	534	21.17	6.2	1.05	13	3915	112.99			29	1.05	75	482	19.11	6.2	1.15	14	3540	102.16			30	1.15	86	424	16.81	6.1	1.35	91	400	15.88	6.1	1.40																																																																																																																																																																																																																																																																																																																																																																																																																																																																																
127	285	11.31	12	2.70			9.8	5084	146.72	53	1.45	149	243	9.66			12	3.20	11	4511	130.18	54	1.60	159	229	9.08	12	2.20			12	4093	118.13	55	1.75	167	217	8.60	12	2.50	14	3519			101.54	56	2.10	191	190	7.53	12	3.00	15	3223	93.00	57			2.30	212	171	6.78	11	3.40	16	3071	88.63	57	2.40	242	150	5.95	11	3.80	17	2927	84.47	57	2.50	274	132	5.25	11	4.20	19	2597	74.95	57	2.80	309	117	4.66	10	4.50	21	2357	68.01	57	3.00	363	100	3.97	10	4.70	11	4415	127.42	26	0.90	GFA97 GFAF97 GF97 GFF97	4P	68	534	21.17	6.2	1.05	13	3915	112.99	29	1.05			75	482	19.11	6.2	1.15	14	3540	102.16			30	1.15	86	424	16.81	6.1	1.35	91	400	15.88			6.1	1.40																																																																																																																																																																																																																																																																																																																																																																																																																																																																																										
149	243	9.66	12	3.20			11	4511	130.18	54	1.60	159	229	9.08			12	2.20	12	4093	118.13	55	1.75	167	217	8.60	12	2.50			14	3519	101.54	56	2.10	191	190	7.53	12	3.00	15	3223			93.00	57	2.30	212	171	6.78	11	3.40	16	3071	88.63	57	2.40	242	150	5.95	11	3.80	17	2927	84.47	57	2.50	274	132	5.25	11	4.20	19	2597	74.95	57	2.80	309	117	4.66	10	4.50	21	2357	68.01	57	3.00	363	100	3.97	10	4.70	11	4415	127.42	26	0.90	GFA97 GFAF97 GF97 GFF97	4P	68	534	21.17	6.2	1.05	13	3915	112.99	29	1.05			75	482	19.11	6.2	1.15	14	3540	102.16	30	1.15			86	424	16.81	6.1	1.35	91	400	15.88			6.1	1.40																																																																																																																																																																																																																																																																																																																																																																																																																																																																																																						
159	229	9.08	12	2.20			12	4093	118.13	55	1.75	167	217	8.60			12	2.50	14	3519	101.54	56	2.10	191	190	7.53	12	3.00			15	3223	93.00	57	2.30	212	171	6.78	11	3.40	16	3071	88.63	57	2.40	242	150	5.95	11	3.80	17	2927	84.47	57	2.50	274	132	5.25	11	4.20	19	2597	74.95	57	2.80	309	117	4.66	10	4.50	21	2357	68.01	57	3.00	363	100	3.97	10	4.70	11	4415	127.42	26	0.90	GFA97 GFAF97 GF97 GFF97	4P	68	534	21.17	6.2	1.05	13	3915	112.99	29	1.05			75	482	19.11	6.2	1.15	14	3540	102.16	30	1.15			86	424	16.81	6.1	1.35	91	400	15.88	6.1	1.40																																																																																																																																																																																																																																																																																																																																																																																																																																																																																																																				
167	217	8.60	12	2.50			14	3519	101.54	56	2.10	191	190	7.53			12	3.00	15	3223	93.00	57	2.30	212	171	6.78	11	3.40	16	3071	88.63	57	2.40	242	150	5.95	11	3.80	17	2927	84.47	57	2.50	274	132	5.25	11	4.20	19	2597	74.95	57	2.80	309	117	4.66	10	4.50	21	2357	68.01	57	3.00	363	100	3.97	10	4.70	11	4415	127.42	26	0.90	GFA97 GFAF97 GF97 GFF97	4P	68	534	21.17	6.2	1.05	13	3915	112.99	29	1.05			75	482	19.11	6.2	1.15	14	3540	102.16	30	1.15			86	424	16.81	6.1	1.35	91	400	15.88	6.1	1.40																																																																																																																																																																																																																																																																																																																																																																																																																																																																																																																																
191	190	7.53	12	3.00			15	3223	93.00	57	2.30	212	171	6.78	11	3.40	16	3071	88.63	57	2.40	242	150	5.95	11	3.80	17	2927	84.47	57	2.50	274	132	5.25	11	4.20	19	2597	74.95	57	2.80	309	117	4.66	10	4.50	21	2357	68.01	57	3.00	363	100	3.97	10	4.70	11	4415	127.42	26	0.90	GFA97 GFAF97 GF97 GFF97	4P	68	534	21.17	6.2	1.05	13	3915	112.99	29	1.05			75	482	19.11	6.2	1.15	14	3540	102.16	30	1.15			86	424	16.81	6.1	1.35	91	400	15.88	6.1	1.40																																																																																																																																																																																																																																																																																																																																																																																																																																																																																																																																												
212	171	6.78	11	3.40	16	3071	88.63	57	2.40	242	150	5.95	11	3.80	17	2927	84.47	57	2.50	274	132	5.25	11	4.20	19	2597	74.95	57	2.80	309	117	4.66	10	4.50	21	2357	68.01	57	3.00	363	100	3.97	10	4.70	11	4415	127.42	26	0.90	GFA97 GFAF97 GF97 GFF97	4P	68	534	21.17	6.2	1.05	13	3915	112.99	29	1.05			75	482	19.11	6.2	1.15	14	3540	102.16	30	1.15			86	424	16.81	6.1	1.35	91	400	15.88	6.1	1.40																																																																																																																																																																																																																																																																																																																																																																																																																																																																																																																																																								
242	150	5.95	11	3.80	17	2927	84.47	57	2.50	274	132	5.25	11	4.20	19	2597	74.95	57	2.80	309	117	4.66	10	4.50	21	2357	68.01	57	3.00	363	100	3.97	10	4.70	11	4415	127.42	26	0.90	GFA97 GFAF97 GF97 GFF97	4P	68	534	21.17	6.2	1.05	13	3915	112.99			29	1.05	75	482	19.11	6.2	1.15	14	3540	102.16			30	1.15	86	424	16.81	6.1	1.35	91	400	15.88			6.1	1.40																																																																																																																																																																																																																																																																																																																																																																																																																																																																																																																																																																
274	132	5.25	11	4.20	19	2597	74.95	57	2.80	309	117	4.66	10	4.50	21	2357	68.01	57	3.00	363	100	3.97	10	4.70	11	4415	127.42	26	0.90	GFA97 GFAF97 GF97 GFF97	4P	68	534	21.17	6.2	1.05	13	3915	112.99			29	1.05	75	482	19.11	6.2	1.15	14			3540	102.16	30	1.15	86	424	16.81	6.1	1.35	91			400	15.88	6.1	1.40																																																																																																																																																																																																																																																																																																																																																																																																																																																																																																																																																																										
309	117	4.66	10	4.50	21	2357	68.01	57	3.00	363	100	3.97	10	4.70	11	4415	127.42	26	0.90	GFA97 GFAF97 GF97 GFF97	4P	68	534	21.17	6.2	1.05	13	3915	112.99			29	1.05	75	482	19.11	6.2	1.15	14			3540	102.16	30	1.15	86	424	16.81	6.1			1.35	91	400	15.88	6.1	1.40																																																																																																																																																																																																																																																																																																																																																																																																																																																																																																																																																																																				
363	100	3.97	10	4.70	11	4415	127.42	26	0.90	GFA97 GFAF97 GF97 GFF97	4P																																																																																																																																																																																																																																																																																																																																																																																																																																																																																																																																																																																																																																		
68	534	21.17	6.2	1.05	13	3915	112.99	29	1.05			75	482	19.11	6.2	1.15	14	3540	102.16			30	1.15	86	424	16.81	6.1	1.35	91			400	15.88	6.1	1.40																																																																																																																																																																																																																																																																																																																																																																																																																																																																																																																																																																																																										
75	482	19.11	6.2	1.15	14	3540	102.16	30	1.15			86	424	16.81	6.1	1.35	91	400	15.88			6.1	1.40																																																																																																																																																																																																																																																																																																																																																																																																																																																																																																																																																																																																																						
86	424	16.81	6.1	1.35	91	400	15.88	6.1	1.40																																																																																																																																																																																																																																																																																																																																																																																																																																																																																																																																																																																																																																				
91	400	15.88	6.1	1.40																																																																																																																																																																																																																																																																																																																																																																																																																																																																																																																																																																																																																																									

选型参数表
(恒功率)

Selection Table
(Constant Power)

n _a [r/min]	Ma [Nm]	i	F _{ra} [kN]	f _B	机型号 Type size	极数 Pole	n _a [r/min]	Ma [Nm]	i	F _{ra} [kN]	f _B	机型号 Type size	极数 Pole	
5.5kW							7.5kW							
15	3381	97.58	30	1.20	GFA97 GFAF97 GF97 GFF97	4P	4.6	14051	313	82	0.85	GFA127R87	4P	
16	3113	89.85	31	1.30			4.9	13265	296	83	0.90	GFAF127R87		
17	3001	86.59	31	1.35			5.5	11671	260	86	1.05	GF127R87		
18	2783	80.31	32	1.45			6.4	10100	225	86	1.20	GFF127R87		
19	2621	75.63	32	1.55			7.4	8740	195	86	1.40			
20	2505	72.29	32	1.60			3.3	20463	216.53	83	0.85	GFA157 GFAF157 GF157 GFF157		8P
22	2269	65.47	33	1.80			4.1	16582	175.46	96	1.00			
25	2012	58.06	33	2.00			4.4	15330	162.21	100	1.10			
27	1819	52.49	32	2.20			5.1	13407	141.86	105	1.30			
32	1542	44.49	32	2.50			6.0	11291	119.47	108	1.45			
16	3050	88.01	5.5	0.95			6.7	10188	107.80	110	1.65			
19	2647	76.39	20	1.05			7.5	9106	96.35	112	1.85			
21	2370	68.40	20	1.20	8.7	7789	82.42	113	2.10					
25	1966	56.75	20	1.45	9.5	7200	76.19	114	2.30					
29	1745	50.36	20	1.60	11	6297	66.63	114	2.70					
32	1569	45.28	19	1.70	13	5386	56.99	114	3.00					
37	1362	39.30	19	1.90	14	4785	50.63	114	3.50					
41	1219	35.19	19	2.00	16	4277	45.26	114	3.90					
49	1012	29.20	18	2.30	18	3719	39.35	114	4.50					
42	1175	33.92	19	2.10	3.6	18787	267.82	89	0.90	GFA157 GFAF157 GF157 GFF157	6P			
50	997	28.78	18	2.30	4.5	15189	216.53	100	1.10					
54	918	26.50	18	3.10	5.5	12308	175.46	106	1.35					
61	821	23.68	17	3.50	6.0	11379	162.21	108	1.50					
68	739	21.32	17	3.80	6.8	9951	141.86	111	1.70					
30	1676	48.37	13	0.85	8.1	8381	119.47	112	1.95					
33	1510	43.58	14	0.95	9.0	7562	107.80	114	2.20					
38	1325	38.23	15	1.05	10	6759	96.35	114	2.50					
43	1169	33.74	16	1.20	12	5782	82.42	114	2.80					
48	1036	29.91	17	1.35	13	5345	76.19	114	3.10					
56	885	25.54	18	1.55	15	4674	66.63	114	3.50					
56	884	25.50	18	1.60	17	3998	56.99	114	4.00					
67	743	21.43	18	1.90	19	3552	50.63	113	4.60					
73	683	19.70	18	2.10	5.7	11834	125.22	85	0.95	GFA127 GFAF127 GF127 GFF127	8P			
82	606	17.49	18	2.30	6.3	10789	114.16	86	1.05					
92	542	15.64	19	2.60	7.2	9406	99.53	86	1.20					
102	487	14.06	18	2.90	8.2	8276	87.57	86	1.40					
118	423	12.20	18	3.30	5.6	12044	171.70	85	0.95	GFA127 GFAF127 GF127 GFF127	6P			
132	379	10.93	18	3.60	6.3	10811	154.12	86	1.05					
155	322	9.30	18	4.20	7.6	8896	126.82	86	1.30					
65	764	22.05	10	1.00	8.5	8008	114.16	86	1.40					
69	724	20.90	10	1.05	8.4	8113	171.70	86	1.40	GFA127 GFAF127 GF127 GFF127	4P			
79	634	18.29	11	1.20	9.3	7283	154.12	86	1.55					
87	571	16.48	11	1.35	11	5917	125.22	86	1.90					
100	501	14.46	12	1.55	13	5394	114.16	86	2.00					
113	442	12.76	12	1.75	14	4703	99.53	86	2.30					
127	392	11.31	12	1.95	16	4138	87.57	86	2.60					
149	335	9.66	12	2.30	8.0	8455	178.93	44	0.85			GFA107 GFAF107 GF107 GFF107	4P	
159	315	9.08	12	1.60	8.9	7633	161.54	46	0.95					
167	298	8.60	12	1.80	9.8	6933	146.72	48	1.05					
191	261	7.53	11	2.20	11	6151	130.18	50	1.20					
212	235	6.78	11	2.50	12	5582	118.13	51	1.30	GFA107 GFAF107 GF107 GFF107	4P			
242	206	5.95	11	2.80	14	4798	101.54	53	1.50					
274	182	5.25	11	3.10	15	4394	93.00	54	1.65					
309	161	4.66	10	3.30	16	4188	88.63	55	1.75					
363	138	3.97	10	3.40	17	3991	84.47	55	1.85					
86	582	16.81	5.2	0.95	19	3542	74.95	56	2.10					
91	550	15.88	5.2	1.05	21	3214	68.01	57	2.30					
107	468	13.52	5.3	1.20	25	2762	58.46	57	2.60					
117	426	12.29	5.3	1.35	28	2411	51.02	57	3.00					
135	369	10.64	5.2	1.55	33	2045	43.28	57	3.50					
176	284	8.19	4.9	1.40	15	4611	97.58	18	0.90			GFA97 GFAF97 GF97 GFF97	4P	
186	268	7.73	4.9	1.50	16	4246	89.85	28	0.95					
219	228	6.58	4.8	1.75	17	4092	86.59	28	1.00					
241	207	5.98	4.8	1.90	18	3795	80.31	29	1.05					
278	179	5.18	4.7	2.20	19	3574	75.63	30	1.15					
					20	3416	72.29	30	1.20					

选型参数表
(恒功率)

Selection Table
(Constant Power)

n_a [r/min]	M_a [Nm]	i	F_{ra} [kN]	f_B	机型号 Type size	极数 Pole	n_a [r/min]	M_a [Nm]	i	F_{ra} [kN]	f_B	机型号 Type size	极数 Pole
7.5kW							11.0kW						
22	3094	65.47	31	1.30			5.5	18307	267.82	91	0.90		
25	2743	58.06	30	1.50	GFA97		6.7	14801	216.53	101	1.15		
27	2480	52.49	30	1.65	GFAF97	4P	8.3	11993	175.46	107	1.40		
32	2102	44.49	29	1.95	GF97		9.0	11088	162.21	109	1.50	GFA157	
37	1836	38.86	28	2.20	GFF97		10	9697	141.86	111	1.75	GFAF157	4P
44	1536	32.50	27	2.60			12	8166	119.47	112	1.92	GF157	
33	2045	43.28	29	1.40	GFA97		14	7369	107.80	114	2.30	GFF157	
39	1731	36.64	28	1.65	GFAF97	15	6586	96.35	114	2.60			
42	1602	33.91	28	2.50	GF97	18	5634	82.42	112	2.90			
47	1436	30.39	27	2.80	GFF97	19	5208	76.19	110	3.10			
52	1297	27.44	27	3.00		22	4554	66.63	106	3.60			
25	2682	56.75	17	1.05			7.6	13048	126.82	83	0.85	GFA127	
29	2380	50.36	17	1.15	GFA87	4P	8.5	11745	114.16	85	0.95	GFAF127	
32	2140	45.28	17	1.25	GFAF87		9.7	10240	99.53	86	1.10	GF127	6P
37	1857	39.30	17	1.40	GF87		11	9010	87.57	86	1.25	GFF127	
41	1663	35.19	17	1.50	GFF87		13	7658	74.43	86	1.45		
49	1380	29.20	17	1.70			8.5	11736	171.70	85	0.95		
50	1360	28.78	17	1.70		9.5	10535	154.12	86	1.05			
54	1252	26.50	17	2.30	GFA87	12	8559	125.22	86	1.30			
61	1119	23.68	16	2.50	GFAF87	13	7803	114.16	86	1.45	GFA127	4P	
68	1007	21.32	16	2.80	GF87	15	6803	99.53	86	1.65	GFAF127		
75	912	19.31	16	3.10	GFF87	17	5986	87.57	86	1.90	GF127		
84	809	17.12	15	3.50		20	5088	74.43	84	2.20	GFF127		
93	731	15.48	15	3.90		21	4796	70.16	84	2.35			
43	1594	33.74	14	0.90	GFA77	23	4372	63.96	84	2.50			
48	1413	29.91	15	1.00	GFAF77	26	3811	55.76	84	2.80			
56	1207	25.54	16	1.15	GF77	12	8075	118.13	45	0.90	GFA107	4P	
56	1205	25.50	16	1.15	GFF77	14	6941	101.54	48	1.05	GFAF107		
67	1013	21.43	17	1.40		16	6357	93.00	50	1.15	GF107		
73	931	19.70	17	1.50							GFF107		
82	826	17.49	18	1.70		17	5774	84.47	51	1.25			
92	739	15.64	18	1.90		19	5123	74.95	53	1.40	GFA107	4P	
102	664	14.06	18	2.10	GFA77	21	4649	68.01	54	1.55	GFAF107		
118	576	12.20	17	2.50	GFAF77	25	3996	58.46	54	1.80	GF107		
132	516	10.93	17	2.70	GF77	29	3487	51.02	52	2.10	GFF107		
155	439	9.30	16	2.30	GFF77	34	2958	43.28	51	2.50			
174	390	8.26	15	2.60		43	2344	34.29	48	3.00	GFA107	4P	
195	349	7.39	15	2.90		52	1904	27.86	46	3.90	GFAF107		
217	314	6.64	15	3.20		57	1736	25.40	45	4.30	GF107		
250	272	5.76	14	3.70							GFF107		
279	244	5.16	14	4.20		22	4475	65.47	23	0.90	GFA97		4P
336	202	4.28	13	4.70		25	3969	58.06	26	1.00	GFAF97		
						28	3588	52.49	26	1.10	GF97		
											GFF97		
						33	3041	44.49	26	1.30	GFA97	4P	
						38	2656	38.86	25	1.50	GFAF97		
						45	2222	32.50	25	1.80	GF97		
											GFF97		
						43	2318	33.91	25	1.75			
						48	2077	30.39	25	1.95	GFA97	4P	
						53	1876	27.44	24	2.20	GFAF97		
						59	1703	24.92	24	2.40	GF97		
						66	1511	22.11	23	2.70	GFF97		
						73	1372	20.07	23	3.00			
						85	1179	17.25	23	3.50			
						37	2686	39.30	14	0.95	GFA87	4P	
						41	2405	35.19	14	1.00	GFAF87		
						50	1996	29.20	14	1.20	GF87		
											GFF87		
						55	1811	26.50	14	1.55			
						62	1619	23.68	14	1.75	GFA87	4P	
						68	1457	21.32	14	1.95	GFAF87		
						76	1320	19.31	14	2.10	GF87		
						85	1170	17.12	14	2.40	GFF87		
						94	1058	15.48	14	2.70			

选型参数表
(恒功率)

Selection Table
(Constant Power)

n_a [r/min]	M_a [Nm]	i	F_{ra} [kN]	f_B	机型号 Type size	极数 Pole	n_a [r/min]	M_a [Nm]	i	F_{ra} [kN]	f_B	机型号 Type size	极数 Pole																																																																																																																																																																																																																																																																																																																																																																																																																																																																																																																																																																															
11.0kW							15.0kW																																																																																																																																																																																																																																																																																																																																																																																																																																																																																																																																																																																					
111	897	13.12	14	3.10	GFA87	4P	43	3196	34.29	46	2.20	GFA107	4P																																																																																																																																																																																																																																																																																																																																																																																																																																																																																																																																																																															
127	783	11.46	14	3.50	GFAF87		152	655	9.58	14	4.20	GF87		176	567	8.29	14	4.80	GFF87	74	1347	19.70	15	1.05	GFA77 GFAF77 GF77 GFF77	4P	33	4147	44.49	22	1.00	GFA97	4P	83	1196	17.49	16	1.20		93	1069	15.64	17	1.30		104	961	14.06	17	1.45		120	834	12.20	16	1.70		134	747	10.93	16	1.90		157	636	9.30	15	1.60		177	565	8.26	14	1.80		198	505	7.39	14	2.00		220	454	6.64	14	2.20		253	394	5.76	13	2.60		283	353	5.16	13	2.90		341	293	4.28	13	3.20		55	2470	26.50	12	1.15	GFA97 GFAF97 GF97 GFF97	4P	62	2207	23.68	12	1.30		68	1987	21.32	12	1.45		76	1800	19.31	12	1.60		85	1596	17.12	12	1.80		94	1443	15.48	12	2.00	GFA87	111	1223	13.12	12	2.30	GFAF87	127	1068	11.46	12	2.70	GF87	152	893	9.58	12	3.10	GFF87	176	773	8.29	11	1.90		199	685	7.35	11	2.10		220	620	6.65	11	2.30		259	525	5.63	10	2.80		297	459	4.92	10	3.20		354	384	4.12	10	3.60		15.0kW							18.5kW							6.4	20101	227	86	0.85	GFA157R97 GFAF157R97 GF157R97 GFF157R97	4P	7.4	21477	198	73	0.80	GFA157R97 GFAF157R97 GF157R97 GFF157R97	4P	7.4	17533	198	95	1.00		7.4	17356	196	96	1.05		6.8	19902	141.86	86	0.85	GFA157	8.1	16761	119.47	94	0.95	GFAF157	6P	8.4	20034	175.46	84	0.85	GFA157 GFAF157 GF157 GFF157	4P	9.0	15124	107.80	100	1.10	GF157	10	13518	96.35	104	1.25	GFF157	12	11563	82.42	107	1.40		6.7	20183	216.53	84	0.85	GFA157 GFAF157 GF157 GFF157	4P	9.1	18521	162.21	90	0.90	8.3	16355	175.46	97	1.05		9.0	15120	162.21	100	1.15		10	13223	141.86	105	1.30		12	11136	119.47	108	1.45		14	10048	107.80	11	1.70		15	8981	96.35	110	1.90		18	7682	82.42	108	2.10		19	7102	76.19	106	2.30		22	6211	66.63	10	2.70		26	5312	56.99	100	3.00		9.7	13964	99.53	81	0.80	GFA127	6P	10	16197	141.86	98	1.05	11	12286	87.57	84	0.95	GFAF127	13	10442	74.43	84	1.10	GF127	14	9843	70.16	83	1.15	GFF127	15	8973	63.96	82	1.25		12	11821	126.82	85	1.00	GFA127 GFAF127 GF127 GFF127	4P	12	13641	119.47	103	1.20	13	10641	114.16	84	1.05		15	9277	99.53	83	1.25		17	8138	87.31	81	1.40		20	6938	74.43	80	1.60		21	6540	70.16	79	1.75		23	5962	63.96	79	1.90		26	5197	55.76	79	2.20		30	4573	49.06	79	2.50		35	3887	41.70	79	3.00		16	8669	93.00	44	0.85	GFA107	4P	13	13035	114.16	78	0.85	16	8261	88.63	45	0.90	GFAF107	17	7874	84.47	46	0.95	GF107	19	6986	74.95	48	1.05	GFF107	21	6339	68.01	50	1.15		25	5449	58.46	50	1.35	GFA107	4P	15	11364	99.53	78	1.00	29	4756	51.02	49	1.55	GFAF107	34	4034	43.28	48	1.80	GF107	39	3517	37.73	47	2.10	GFF107	46	2981	31.98	46	2.50		20	8558	74.95	44	0.85	GFA107	4P	17	9999	87.57	77	1.15	22	7765	68.01	46	0.95	GFAF107	25	6675	58.46	46	1.10	GF107	29	5825	51.02	46	1.25	GFF107																						
152	655	9.58	14	4.20	GF87		176	567	8.29	14	4.80	GFF87		74	1347	19.70	15	1.05	GFA77 GFAF77 GF77 GFF77	4P	33	4147	44.49	22			1.00	GFA97	4P	83	1196	17.49		16	1.20		93	1069	15.64	17	1.30		104	961	14.06	17	1.45		120	834	12.20	16	1.70		134	747	10.93	16	1.90		157	636	9.30	15	1.60		177	565	8.26	14	1.80		198	505	7.39	14	2.00		220	454	6.64	14	2.20		253	394	5.76	13	2.60		283	353	5.16	13	2.90		341	293	4.28	13	3.20		55	2470	26.50	12	1.15	GFA97 GFAF97 GF97 GFF97	4P	62			2207	23.68	12	1.30		68	1987	21.32	12	1.45		76	1800	19.31	12	1.60		85	1596	17.12	12	1.80		94	1443	15.48	12	2.00	GFA87	111	1223	13.12	12	2.30	GFAF87	127	1068	11.46	12	2.70	GF87	152	893	9.58	12	3.10	GFF87	176	773	8.29	11	1.90		199	685	7.35	11	2.10		220	620	6.65	11	2.30		259	525	5.63	10	2.80		297	459	4.92	10	3.20		354	384	4.12	10	3.60		15.0kW							18.5kW							6.4	20101	227	86	0.85	GFA157R97 GFAF157R97 GF157R97 GFF157R97	4P		7.4	21477	198	73	0.80	GFA157R97 GFAF157R97 GF157R97 GFF157R97		4P	7.4	17533	198	95	1.00		7.4	17356	196	96	1.05		6.8	19902	141.86	86	0.85	GFA157	8.1	16761	119.47	94	0.95		GFAF157	6P	8.4	20034	175.46			84	0.85	GFA157 GFAF157 GF157 GFF157	4P	9.0	15124	107.80	100	1.10	GF157	10	13518	96.35	104	1.25	GFF157	12	11563	82.42	107	1.40		6.7			20183	216.53	84	0.85	GFA157 GFAF157 GF157 GFF157	4P	9.1	18521	162.21	90	0.90	8.3	16355	175.46	97	1.05		9.0	15120	162.21	100	1.15		10	13223	141.86	105	1.30		12	11136	119.47	108	1.45		14	10048	107.80	11	1.70		15	8981	96.35	110	1.90		18	7682	82.42	108	2.10		19	7102	76.19	106	2.30		22	6211	66.63	10	2.70		26	5312	56.99	100	3.00			9.7	13964	99.53	81	0.80	GFA127	6P	10	16197	141.86	98	1.05	11	12286	87.57	84	0.95	GFAF127	13	10442	74.43	84	1.10	GF127	14	9843	70.16	83	1.15	GFF127	15	8973	63.96	82			1.25		12	11821	126.82	85	1.00	GFA127 GFAF127 GF127 GFF127	4P	12	13641	119.47	103	1.20	13	10641	114.16	84	1.05		15	9277	99.53	83	1.25		17	8138	87.31	81	1.40		20	6938	74.43	80	1.60		21	6540	70.16	79	1.75		23	5962	63.96	79	1.90		26	5197	55.76	79	2.20		30	4573	49.06	79	2.50		35	3887	41.70		79	3.00		16	8669	93.00	44	0.85	GFA107	4P	13	13035	114.16	78	0.85	16	8261	88.63	45	0.90	GFAF107	17	7874	84.47	46	0.95	GF107	19	6986	74.95	48	1.05	GFF107	21	6339		68.01	50	1.15		25	5449	58.46	50	1.35	GFA107	4P	15	11364	99.53	78	1.00	29	4756	51.02	49	1.55	GFAF107	34	4034	43.28	48	1.80	GF107	39	3517	37.73	47	2.10	GFF107	46		2981	31.98	46	2.50		20	8558	74.95	44	0.85	GFA107	4P	17	9999	87.57	77	1.15	22	7765	68.01	46	0.95	GFAF107	25	6675	58.46	46	1.10	GF107	29	5825	51.02	46	1.25	GFF107										
176	567	8.29	14	4.80	GFF87		74	1347	19.70	15	1.05	GFA77 GFAF77 GF77 GFF77		4P	33	4147	44.49	22			1.00	GFA97	4P	83			1196	17.49		16	1.20			93	1069	15.64	17	1.30		104	961	14.06	17	1.45		120	834	12.20	16	1.70		134	747	10.93	16	1.90		157	636	9.30	15	1.60		177	565	8.26	14	1.80		198	505	7.39	14	2.00		220	454	6.64	14	2.20		253	394	5.76	13	2.60		283	353	5.16	13	2.90		341	293	4.28	13	3.20		55	2470	26.50	12	1.15	GFA97 GFAF97 GF97 GFF97	4P	62			2207			23.68	12	1.30		68	1987	21.32	12	1.45		76	1800	19.31	12	1.60		85	1596	17.12	12	1.80		94	1443	15.48	12	2.00	GFA87	111	1223	13.12	12	2.30	GFAF87	127	1068	11.46	12	2.70	GF87	152	893	9.58	12	3.10	GFF87	176	773	8.29	11	1.90		199	685	7.35	11	2.10		220	620	6.65	11	2.30		259	525	5.63	10	2.80		297	459	4.92	10	3.20		354	384	4.12	10	3.60		15.0kW							18.5kW							6.4	20101	227	86	0.85	GFA157R97 GFAF157R97 GF157R97 GFF157R97	4P			7.4	21477	198	73	0.80	GFA157R97 GFAF157R97 GF157R97 GFF157R97			4P	7.4	17533	198	95	1.00		7.4	17356	196	96	1.05		6.8	19902	141.86	86	0.85	GFA157	8.1	16761	119.47	94		0.95		GFAF157	6P	8.4			20034	175.46			84	0.85	GFA157 GFAF157 GF157 GFF157	4P	9.0	15124	107.80	100	1.10	GF157	10	13518	96.35	104	1.25	GFF157	12	11563	82.42			107	1.40		6.7			20183	216.53	84	0.85	GFA157 GFAF157 GF157 GFF157	4P	9.1	18521	162.21	90	0.90	8.3	16355	175.46	97	1.05		9.0	15120	162.21	100	1.15		10	13223	141.86	105	1.30		12	11136	119.47	108	1.45		14	10048	107.80	11	1.70		15	8981	96.35	110	1.90		18	7682	82.42	108	2.10		19	7102	76.19	106	2.30		22	6211	66.63	10	2.70			26	5312	56.99	100	3.00			9.7	13964	99.53	81	0.80	GFA127	6P	10	16197	141.86	98	1.05	11	12286	87.57	84	0.95	GFAF127	13	10442	74.43	84	1.10	GF127	14	9843	70.16			83	1.15	GFF127	15	8973	63.96	82			1.25		12	11821	126.82	85	1.00	GFA127 GFAF127 GF127 GFF127	4P	12	13641	119.47	103	1.20	13	10641	114.16	84	1.05		15	9277	99.53	83	1.25		17	8138	87.31	81	1.40		20	6938	74.43	80	1.60		21	6540	70.16	79	1.75		23	5962	63.96	79	1.90		26	5197	55.76	79	2.20			30	4573	49.06	79	2.50		35	3887	41.70		79	3.00		16	8669	93.00	44	0.85	GFA107	4P	13	13035	114.16	78	0.85	16	8261	88.63	45	0.90	GFAF107	17	7874	84.47	46		0.95	GF107	19	6986	74.95	48	1.05	GFF107	21	6339		68.01	50	1.15		25	5449	58.46	50	1.35	GFA107	4P	15	11364	99.53	78	1.00	29	4756	51.02	49	1.55	GFAF107	34	4034		43.28	48	1.80	GF107	39	3517	37.73	47	2.10	GFF107	46		2981	31.98	46	2.50		20	8558	74.95	44	0.85	GFA107	4P	17	9999	87.57	77	1.15	22	7765	68.01	46	0.95	GFAF107	25	6675	58.46	46	1.10	GF107	29	5825	51.02	46
74	1347	19.70	15	1.05	GFA77 GFAF77 GF77 GFF77	4P	33	4147	44.49	22	1.00		GFA97		4P																																																																																																																																																																																																																																																																																																																																																																																																																																																																																																																																																																													
83	1196	17.49	16	1.20				93	1069	15.64	17		1.30				104	961			14.06	17		1.45				120		834	12.20	16	1.70		134	747	10.93	16	1.90		157	636	9.30	15	1.60		177	565	8.26	14	1.80		198	505	7.39	14	2.00		220	454	6.64	14	2.20		253	394	5.76	13	2.60		283	353	5.16	13	2.90		341	293	4.28	13	3.20		55	2470	26.50	12	1.15	GFA97 GFAF97 GF97 GFF97	4P	62	2207	23.68	12	1.30		68	1987	21.32	12	1.45		76	1800	19.31			12			1.60				85	1596	17.12	12	1.80		94	1443	15.48	12	2.00	GFA87	111	1223	13.12	12	2.30	GFAF87	127	1068	11.46	12	2.70	GF87	152	893	9.58	12	3.10	GFF87	176	773	8.29	11	1.90		199	685	7.35	11	2.10		220	620	6.65	11	2.30		259	525	5.63	10	2.80		297	459	4.92	10	3.20		354	384	4.12	10	3.60		15.0kW							18.5kW							6.4	20101	227	86	0.85	GFA157R97 GFAF157R97 GF157R97 GFF157R97	4P	7.4	21477	198	73	0.80	GFA157R97 GFAF157R97 GF157R97 GFF157R97	4P	7.4	17533	198	95	1.00		7.4			17356	196	96	1.05		6.8	19902	141.86			86	0.85	GFA157	8.1	16761	119.47	94	0.95	GFAF157	6P	8.4	20034	175.46	84	0.85	GFA157 GFAF157 GF157 GFF157	4P	9.0	15124	107.80	100	1.10	GF157	10		13518		96.35			104	1.25			GFF157	12			11563	82.42	107	1.40		6.7	20183	216.53	84	0.85	GFA157 GFAF157 GF157 GFF157	4P	9.1	18521	162.21			90	0.90	8.3	16355			175.46	97	1.05				9.0	15120	162.21	100	1.15		10	13223	141.86	105	1.30		12	11136	119.47	108	1.45		14	10048	107.80	11	1.70		15	8981	96.35	110	1.90		18	7682	82.42	108	2.10		19	7102	76.19	106	2.30		22	6211	66.63	10	2.70		26	5312	56.99	100	3.00		9.7	13964	99.53	81	0.80	GFA127	6P	10	16197	141.86	98	1.05		11	12286	87.57	84	0.95	GFAF127		13	10442	74.43	84	1.10	GF127	14	9843	70.16	83	1.15	GFF127	15	8973	63.96	82	1.25		12	11821			126.82	85	1.00	GFA127 GFAF127 GF127 GFF127	4P	12	13641			119.47	103	1.20	13	10641	114.16	84			1.05		15	9277	99.53	83	1.25		17	8138	87.31	81	1.40		20	6938	74.43	80	1.60		21	6540	70.16	79	1.75		23	5962	63.96	79	1.90		26	5197	55.76	79	2.20		30	4573	49.06	79	2.50		35	3887	41.70	79	3.00		16	8669	93.00	44	0.85	GFA107	4P		13	13035	114.16	78	0.85	16	8261	88.63	45		0.90	GFAF107	17	7874	84.47	46	0.95	GF107	19	6986	74.95	48	1.05	GFF107	21	6339	68.01	50	1.15		25	5449	58.46	50	1.35	GFA107		4P	15	11364	99.53	78	1.00	29	4756	51.02	49		1.55	GFAF107	34	4034	43.28	48	1.80	GF107	39	3517	37.73	47	2.10	GFF107	46	2981	31.98	46	2.50		20	8558	74.95	44	0.85		GFA107	4P	17	9999	87.57	77	1.15	22	7765	68.01	46		0.95	GFAF107	25	6675	58.46	46	1.10	GF107	29	5825	51.02	46	1.25	GFF107							
93	1069	15.64	17	1.30				104	961	14.06	17		1.45				120	834			12.20	16		1.70				134	747	10.93	16	1.90		157	636	9.30	15	1.60		177	565	8.26	14	1.80		198	505	7.39	14	2.00		220	454	6.64	14	2.20		253	394	5.76	13	2.60		283	353	5.16	13	2.90		341	293	4.28	13	3.20		55	2470	26.50	12	1.15	GFA97 GFAF97 GF97 GFF97	4P	62	2207	23.68	12	1.30				68	1987	21.32	12	1.45		76	1800	19.31	12	1.60		85	1596			17.12			12			1.80		94	1443	15.48	12	2.00	GFA87	111	1223	13.12	12	2.30	GFAF87	127	1068	11.46	12	2.70	GF87	152	893	9.58	12	3.10	GFF87	176	773	8.29	11	1.90		199	685	7.35	11	2.10		220	620	6.65	11	2.30		259	525	5.63	10	2.80		297	459	4.92	10	3.20		354	384	4.12	10	3.60		15.0kW							18.5kW							6.4	20101	227	86	0.85	GFA157R97 GFAF157R97 GF157R97 GFF157R97	4P	7.4	21477	198	73		0.80	GFA157R97 GFAF157R97 GF157R97 GFF157R97	4P	7.4	17533	198		95	1.00		7.4	17356	196	96		1.05		6.8	19902	141.86	86	0.85	GFA157	8.1	16761		119.47	94	0.95	GFAF157	6P	8.4	20034	175.46	84		0.85	GFA157 GFAF157 GF157 GFF157	4P	9.0	15124			107.80	100	1.10	GF157	10	13518	96.35	104	1.25		GFF157			12	11563			82.42	107			1.40		6.7	20183	216.53	84	0.85	GFA157 GFAF157 GF157 GFF157	4P	9.1			18521	162.21	90			0.90	8.3	16355	175.46			97	1.05		9.0			15120	162.21	100	1.15		10	13223	141.86	105	1.30		12	11136	119.47	108	1.45		14	10048	107.80	11	1.70		15	8981	96.35	110	1.90		18	7682	82.42	108	2.10		19	7102	76.19	106	2.30		22	6211	66.63	10	2.70		26	5312	56.99	100	3.00		9.7	13964	99.53	81	0.80	GFA127	6P		10	16197	141.86	98	1.05	11	12286	87.57	84	0.95	GFAF127	13		10442	74.43	84	1.10	GF127	14	9843	70.16	83	1.15	GFF127	15	8973	63.96	82	1.25		12	11821	126.82			85	1.00	GFA127 GFAF127 GF127 GFF127			4P	12			13641	119.47	103	1.20	13	10641	114.16			84	1.05		15	9277	99.53	83	1.25		17	8138	87.31	81	1.40		20	6938	74.43	80	1.60		21	6540	70.16	79	1.75		23	5962	63.96	79	1.90		26	5197	55.76	79	2.20		30	4573	49.06	79	2.50		35	3887	41.70	79	3.00		16	8669	93.00	44	0.85		GFA107	4P	13	13035	114.16	78	0.85	16	8261	88.63		45	0.90	GFAF107	17	7874	84.47	46	0.95	GF107	19	6986	74.95	48	1.05	GFF107	21	6339	68.01	50	1.15		25	5449	58.46	50	1.35	GFA107		4P	15	11364	99.53	78	1.00	29	4756	51.02		49	1.55	GFAF107	34	4034	43.28	48	1.80	GF107	39	3517	37.73	47	2.10	GFF107	46	2981	31.98	46	2.50		20	8558	74.95	44	0.85	GFA107		4P	17	9999	87.57	77	1.15	22	7765	68.01		46	0.95	GFAF107	25	6675	58.46	46	1.10	GF107	29	5825	51.02	46	1.25	GFF107						
104	961	14.06	17	1.45				120	834	12.20	16		1.70				134	747			10.93	16	1.90				157	636	9.30	15	1.60		177	565	8.26	14	1.80		198	505	7.39	14	2.00		220	454	6.64	14	2.20		253	394	5.76	13	2.60		283	353	5.16	13	2.90		341	293	4.28	13	3.20		55	2470	26.50	12	1.15	GFA97 GFAF97 GF97 GFF97	4P	62	2207	23.68	12	1.30				68	1987	21.32	12			1.45		76	1800	19.31	12	1.60		85	1596	17.12	12	1.80		94			1443			15.48			12	2.00	GFA87	111	1223	13.12	12	2.30	GFAF87	127	1068	11.46	12	2.70	GF87	152	893	9.58	12	3.10	GFF87	176	773	8.29	11	1.90		199	685	7.35	11	2.10		220	620	6.65	11	2.30		259	525	5.63	10	2.80		297	459	4.92	10	3.20		354	384	4.12	10	3.60		15.0kW							18.5kW							6.4	20101	227	86	0.85	GFA157R97 GFAF157R97 GF157R97 GFF157R97	4P	7.4	21477	198	73		0.80	GFA157R97 GFAF157R97 GF157R97 GFF157R97	4P	7.4		17533	198		95	1.00			7.4	17356	196	96	1.05		6.8	19902	141.86	86	0.85	GFA157	8.1	16761	119.47	94	0.95	GFAF157	6P	8.4	20034	175.46	84		0.85	GFA157 GFAF157 GF157 GFF157	4P	9.0		15124			107.80	100			1.10	GF157	10	13518	96.35	104	1.25	GFF157	12	11563	82.42			107	1.40				6.7			20183	216.53	84	0.85	GFA157 GFAF157 GF157 GFF157	4P	9.1			18521			162.21	90	0.90			8.3	16355	175.46	97			1.05		9.0	15120			162.21	100	1.15		10	13223	141.86	105	1.30		12	11136	119.47	108	1.45		14	10048	107.80	11	1.70		15	8981	96.35	110	1.90		18	7682	82.42	108	2.10		19	7102	76.19	106	2.30		22	6211	66.63	10	2.70		26	5312	56.99	100	3.00		9.7	13964	99.53	81	0.80	GFA127	6P			10	16197	141.86	98	1.05	11	12286	87.57	84	0.95	GFAF127	13	10442	74.43	84	1.10	GF127	14	9843	70.16	83	1.15	GFF127	15	8973	63.96	82	1.25		12	11821	126.82	85			1.00	GFA127 GFAF127 GF127 GFF127					4P			12	13641	119.47	103	1.20	13	10641			114.16	84	1.05		15	9277	99.53	83	1.25		17	8138	87.31	81	1.40		20	6938	74.43	80	1.60		21	6540	70.16	79	1.75		23	5962	63.96	79	1.90		26	5197	55.76	79	2.20		30	4573	49.06	79	2.50		35	3887	41.70	79	3.00		16	8669	93.00	44		0.85		GFA107	4P	13	13035	114.16	78	0.85	16	8261	88.63	45	0.90	GFAF107	17	7874	84.47	46	0.95	GF107	19	6986	74.95	48	1.05	GFF107	21	6339	68.01	50	1.15		25	5449	58.46	50	1.35			GFA107	4P	15	11364	99.53	78	1.00	29	4756	51.02	49	1.55	GFAF107	34	4034	43.28	48	1.80	GF107	39	3517	37.73	47	2.10	GFF107	46	2981	31.98	46	2.50		20	8558	74.95	44	0.85			GFA107	4P	17	9999	87.57	77	1.15	22	7765	68.01	46	0.95	GFAF107	25	6675	58.46	46	1.10	GF107	29	5825	51.02	46	1.25	GFF107					
120	834	12.20	16	1.70				134	747	10.93	16		1.90			157	636	9.30			15	1.60		177			565	8.26	14	1.80		198	505	7.39	14	2.00		220	454	6.64	14	2.20		253	394	5.76	13	2.60		283	353	5.16	13	2.90		341	293	4.28	13	3.20		55	2470	26.50	12	1.15	GFA97 GFAF97 GF97 GFF97	4P	62	2207	23.68	12	1.30				68	1987	21.32	12			1.45		76	1800	19.31			12	1.60		85	1596	17.12	12	1.80		94	1443	15.48	12	2.00	GFA87			111			1223			13.12	12	2.30	GFAF87	127	1068	11.46	12	2.70	GF87	152	893	9.58	12	3.10	GFF87	176	773	8.29	11	1.90		199	685	7.35	11	2.10		220	620	6.65	11	2.30		259	525	5.63	10	2.80		297	459	4.92	10	3.20		354	384	4.12	10	3.60		15.0kW							18.5kW							6.4	20101	227	86	0.85	GFA157R97 GFAF157R97 GF157R97 GFF157R97	4P	7.4	21477	198	73		0.80	GFA157R97 GFAF157R97 GF157R97 GFF157R97	4P	7.4		17533	198		95		1.00			7.4	17356	196		96	1.05		6.8	19902	141.86	86	0.85	GFA157	8.1	16761	119.47	94	0.95	GFAF157	6P	8.4	20034		175.46	84	0.85	GFA157 GFAF157 GF157 GFF157		4P			9.0		15124			107.80	100			1.10	GF157	10	13518	96.35	104	1.25	GFF157	12	11563	82.42			107	1.40				6.7			20183	216.53	84	0.85			GFA157 GFAF157 GF157 GFF157			4P			9.1	18521	162.21			90	0.90	8.3	16355			175.46	97	1.05				9.0	15120	162.21	100	1.15		10	13223	141.86	105	1.30		12	11136	119.47	108	1.45		14	10048	107.80	11	1.70		15	8981	96.35	110	1.90		18	7682	82.42	108	2.10		19	7102	76.19	106	2.30		22	6211	66.63	10	2.70		26	5312	56.99	100	3.00		9.7	13964	99.53	81				0.80	GFA127	6P	10	16197	141.86	98	1.05	11	12286	87.57	84	0.95	GFAF127	13	10442	74.43	84	1.10	GF127	14	9843	70.16	83	1.15	GFF127	15	8973	63.96	82	1.25		12			11821									126.82	85	1.00	GFA127 GFAF127 GF127 GFF127	4P	12	13641			119.47	103	1.20	13	10641	114.16	84	1.05		15	9277	99.53	83	1.25		17	8138	87.31	81	1.40		20	6938	74.43	80	1.60		21	6540	70.16	79	1.75		23	5962	63.96	79	1.90		26	5197	55.76	79	2.20		30	4573	49.06	79	2.50		35	3887	41.70	79	3.00				16		8669	93.00	44	0.85	GFA107	4P	13	13035	114.16	78	0.85	16	8261	88.63	45	0.90	GFAF107	17	7874	84.47	46	0.95	GF107	19	6986	74.95	48	1.05	GFF107	21	6339	68.01	50	1.15					25	5449	58.46	50	1.35	GFA107	4P	15	11364	99.53	78	1.00	29	4756	51.02	49	1.55	GFAF107	34	4034	43.28	48	1.80	GF107	39	3517	37.73	47	2.10	GFF107	46	2981	31.98	46			2.50			20	8558	74.95	44	0.85	GFA107	4P	17	9999	87.57	77	1.15	22	7765	68.01	46	0.95	GFAF107	25	6675	58.46	46	1.10	GF107	29	5825	51.02
134	747	10.93	16	1.90				157	636	9.30	15		1.60			177	565	8.26			14	1.80		198			505	7.39	14	2.00		220	454	6.64	14	2.20		253	394	5.76	13	2.60		283	353	5.16	13	2.90		341	293	4.28	13	3.20		55	2470	26.50	12	1.15	GFA97 GFAF97 GF97 GFF97	4P	62	2207	23.68	12			1.30		68	1987	21.32			12	1.45		76	1800			19.31	12	1.60		85			1596	17.12	12	1.80		94	1443	15.48	12	2.00	GFA87	111	1223	13.12	12			2.30			GFAF87			127	1068	11.46	12	2.70	GF87	152	893	9.58	12	3.10	GFF87	176	773	8.29	11	1.90		199	685	7.35	11	2.10		220	620	6.65	11	2.30		259	525	5.63	10	2.80		297	459	4.92	10	3.20		354	384	4.12	10	3.60		15.0kW							18.5kW							6.4	20101	227	86	0.85	GFA157R97 GFAF157R97 GF157R97 GFF157R97	4P	7.4	21477	198		73	0.80	GFA157R97 GFAF157R97 GF157R97 GFF157R97	4P		7.4	17533		198		95	1.00			7.4	17356	196		96	1.05		6.8	19902	141.86	86	0.85	GFA157	8.1	16761	119.47	94	0.95	GFAF157	6P	8.4	20034	175.46		84	0.85		GFA157 GFAF157 GF157 GFF157	4P	9.0						15124	107.80	100			1.10	GF157			10	13518	96.35	104	1.25	GFF157	12	11563	82.42	107	1.40				6.7			20183	216.53			84	0.85	GFA157 GFAF157 GF157 GFF157	4P									9.1	18521	162.21			90	0.90	8.3	16355			175.46	97	1.05				9.0	15120	162.21	100	1.15		10	13223	141.86	105	1.30		12	11136	119.47	108	1.45		14	10048	107.80	11	1.70		15	8981	96.35	110	1.90		18	7682	82.42	108	2.10		19	7102	76.19	106	2.30		22	6211	66.63	10	2.70		26	5312	56.99	100	3.00		9.7	13964	99.53	81			0.80	GFA127	6P		10	16197	141.86	98	1.05	11	12286	87.57	84	0.95	GFAF127	13	10442	74.43	84	1.10	GF127	14	9843	70.16	83	1.15	GFF127	15	8973	63.96	82	1.25		12			11821									126.82	85	1.00			GFA127 GFAF127 GF127 GFF127	4P			12	13641	119.47	103	1.20	13	10641	114.16	84	1.05		15	9277	99.53	83	1.25		17	8138	87.31	81	1.40		20	6938	74.43	80	1.60		21	6540	70.16	79	1.75		23	5962	63.96	79	1.90		26	5197	55.76	79	2.20		30	4573	49.06	79	2.50		35	3887	41.70	79	3.00				16	8669	93.00	44	0.85		GFA107	4P	13	13035	114.16	78	0.85	16	8261	88.63	45	0.90	GFAF107	17	7874	84.47	46	0.95	GF107	19	6986	74.95	48	1.05	GFF107	21	6339	68.01	50		1.15			25	5449	58.46	50	1.35		GFA107	4P	15	11364	99.53	78	1.00	29	4756	51.02	49	1.55	GFAF107	34	4034	43.28	48	1.80	GF107	39	3517	37.73	47	2.10	GFF107	46	2981	31.98		46		2.50		20	8558	74.95	44	0.85		GFA107	4P	17	9999	87.57	77	1.15	22	7765	68.01	46	0.95	GFAF107	25	6675	58.46	46	1.10	GF107	29
157	636	9.30	15	1.60				177	565	8.26	14		1.80			198	505	7.39			14	2.00		220			454	6.64	14	2.20		253	394	5.76	13	2.60		283	353	5.16	13	2.90		341	293	4.28	13	3.20		55	2470	26.50	12	1.15	GFA97 GFAF97 GF97 GFF97	4P	62	2207	23.68	12			1.30		68	1987			21.32	12	1.45		76			1800	19.31	12	1.60				85	1596	17.12	12	1.80				94	1443	15.48	12	2.00	GFA87	111	1223	13.12	12	2.30	GFAF87	127	1068			11.46			12			2.70	GF87	152	893	9.58	12	3.10	GFF87	176	773	8.29	11	1.90		199	685	7.35	11	2.10		220	620	6.65	11	2.30		259	525	5.63	10	2.80		297	459	4.92	10	3.20		354	384	4.12	10	3.60		15.0kW							18.5kW							6.4	20101	227	86	0.85	GFA157R97 GFAF157R97 GF157R97 GFF157R97	4P	7.4	21477	198		73	0.80	GFA157R97 GFAF157R97 GF157R97 GFF157R97		4P	7.4	17533			198	95		1.00		7.4	17356		196	96	1.05		6.8	19902	141.86	86	0.85	GFA157	8.1	16761	119.47	94	0.95	GFAF157	6P	8.4	20034	175.46		84	0.85	GFA157 GFAF157 GF157 GFF157		4P	9.0				15124		107.80				100	1.10	GF157			10	13518			96.35	104	1.25	GFF157	12	11563	82.42	107	1.40		6.7			20183	216.53			84	0.85			GFA157 GFAF157 GF157 GFF157	4P											9.1	18521	162.21			90	0.90	8.3	16355			175.46	97	1.05				9.0	15120	162.21	100	1.15		10	13223	141.86	105	1.30		12	11136	119.47	108	1.45		14	10048	107.80	11	1.70		15	8981	96.35	110	1.90		18	7682	82.42	108	2.10		19	7102	76.19	106	2.30		22	6211	66.63	10	2.70		26	5312	56.99	100	3.00		9.7	13964	99.53	81		0.80	GFA127	6P			10	16197	141.86	98	1.05	11	12286	87.57	84	0.95	GFAF127	13	10442	74.43	84	1.10	GF127	14	9843	70.16	83	1.15	GFF127	15	8973	63.96	82	1.25		12			11821									126.82	85	1.00							GFA127 GFAF127 GF127 GFF127	4P	12	13641	119.47	103	1.20	13	10641	114.16	84	1.05		15	9277	99.53	83	1.25		17	8138	87.31	81	1.40		20	6938	74.43	80	1.60		21	6540	70.16	79	1.75		23	5962	63.96	79	1.90		26	5197	55.76	79	2.20		30	4573	49.06	79	2.50		35	3887	41.70	79	3.00			16	8669	93.00	44		0.85		GFA107	4P	13	13035	114.16	78	0.85	16	8261	88.63	45	0.90	GFAF107	17	7874	84.47	46	0.95	GF107	19	6986	74.95	48	1.05	GFF107	21	6339	68.01	50		1.15		25	5449	58.46	50		1.35		GFA107	4P	15	11364	99.53	78	1.00	29	4756	51.02	49	1.55	GFAF107	34	4034	43.28	48	1.80	GF107	39	3517	37.73	47	2.10	GFF107	46	2981	31.98		46	2.50		20	8558	74.95	44		0.85		GFA107	4P	17	9999	87.57	77	1.15	22	7765	68.01	46	0.95	GFAF107	25	6675	58.46	46	1.10
177	565	8.26	14	1.80				198	505	7.39	14		2.00			220	454	6.64			14	2.20		253			394	5.76	13	2.60		283	353	5.16	13	2.90		341	293	4.28	13	3.20		55	2470	26.50	12	1.15	GFA97 GFAF97 GF97 GFF97	4P	62	2207	23.68	12			1.30		68	1987			21.32	12	1.45				76	1800	19.31	12	1.60				85	1596	17.12	12			1.80		94	1443	15.48			12	2.00	GFA87	111	1223	13.12	12	2.30	GFAF87	127	1068	11.46	12	2.70	GF87			152			893			9.58	12	3.10	GFF87	176	773	8.29	11	1.90		199	685	7.35	11	2.10		220	620	6.65	11	2.30		259	525	5.63	10	2.80		297	459	4.92	10	3.20		354	384	4.12	10	3.60		15.0kW							18.5kW							6.4	20101	227	86	0.85	GFA157R97 GFAF157R97 GF157R97 GFF157R97	4P	7.4	21477	198		73	0.80	GFA157R97 GFAF157R97 GF157R97 GFF157R97		4P	7.4	17533			198	95		1.00		7.4		17356	196	96	1.05		6.8	19902	141.86	86	0.85	GFA157	8.1	16761	119.47	94	0.95	GFAF157	6P	8.4	20034	175.46		84	0.85	GFA157 GFAF157 GF157 GFF157		4P	9.0				15124	107.80			100		1.10				GF157	10	13518			96.35	104			1.25	GFF157	12	11563	82.42	107	1.40		6.7	20183	216.53			84	0.85			GFA157 GFAF157 GF157 GFF157	4P															9.1	18521	162.21			90	0.90	8.3	16355			175.46	97	1.05				9.0	15120	162.21	100	1.15		10	13223	141.86	105	1.30		12	11136	119.47	108	1.45		14	10048	107.80	11	1.70		15	8981	96.35	110	1.90		18	7682	82.42	108	2.10		19	7102	76.19	106	2.30		22	6211	66.63	10	2.70		26	5312	56.99	100	3.00		9.7	13964	99.53	81	0.80	GFA127	6P				10	16197	141.86	98	1.05	11	12286	87.57	84	0.95	GFAF127	13	10442	74.43	84	1.10	GF127	14	9843	70.16	83	1.15	GFF127	15	8973	63.96	82	1.25		12			11821									126.82	85	1.00									GFA127 GFAF127 GF127 GFF127	4P	12	13641	119.47	103	1.20	13	10641	114.16	84	1.05		15	9277	99.53	83	1.25		17	8138	87.31	81	1.40		20	6938	74.43	80	1.60		21	6540	70.16	79	1.75		23	5962	63.96	79	1.90		26	5197	55.76	79	2.20		30	4573	49.06	79	2.50		35	3887	41.70	79	3.00		16	8669	93.00		44		0.85		GFA107	4P	13	13035	114.16	78	0.85	16	8261	88.63	45	0.90	GFAF107	17	7874	84.47	46	0.95	GF107	19	6986	74.95	48	1.05	GFF107	21	6339	68.01	50	1.15		25	5449	58.46		50		1.35		GFA107	4P	15	11364	99.53	78	1.00	29	4756	51.02	49	1.55	GFAF107	34	4034	43.28	48	1.80	GF107	39	3517	37.73	47	2.10	GFF107	46	2981	31.98	46	2.50		20	8558	74.95		44		0.85		GFA107	4P	17	9999	87.57	77	1.15	22	7765	68.01	46	0.95	GFAF107	25	6675	58.46
198	505	7.39	14	2.00				220	454	6.64	14		2.20			253	394	5.76			13	2.60		283	353	5.16	13	2.90		341	293	4.28	13	3.20		55	2470	26.50	12	1.15	GFA97 GFAF97 GF97 GFF97	4P	62	2207	23.68	12	1.30				68	1987	21.32	12			1.45		76	1800			19.31	12	1.60				85	1596	17.12	12	1.80				94	1443	15.48	12			2.00	GFA87	111	1223	13.12			12	2.30	GFAF87	127	1068	11.46	12	2.70	GF87	152	893	9.58	12	3.10	GFF87			176			773	8.29	11	1.90		199	685	7.35	11	2.10		220	620	6.65	11	2.30		259	525	5.63	10	2.80		297	459	4.92	10	3.20		354	384	4.12	10	3.60		15.0kW							18.5kW							6.4	20101	227	86	0.85	GFA157R97 GFAF157R97 GF157R97 GFF157R97	4P	7.4	21477	198	73	0.80	GFA157R97 GFAF157R97 GF157R97 GFF157R97	4P		7.4	17533	198		95	1.00				7.4	17356	196		96	1.05			6.8	19902	141.86	86	0.85	GFA157	8.1	16761	119.47	94	0.95	GFAF157	6P	8.4	20034	175.46	84	0.85	GFA157 GFAF157 GF157 GFF157	4P		9.0	15124	107.80		100	1.10				GF157		10		13518	96.35			104		1.25				GFF157	12	11563			82.42	107			1.40		6.7	20183	216.53	84	0.85	GFA157 GFAF157 GF157 GFF157	4P	9.1	18521	162.21	90	0.90	8.3																			16355	175.46	97	1.05		9.0	15120	162.21	100			1.15		10	13223			141.86	105	1.30		12	11136	119.47	108	1.45		14	10048	107.80	11	1.70		15	8981	96.35	110	1.90		18	7682	82.42	108	2.10		19	7102	76.19	106	2.30		22	6211	66.63	10	2.70		26	5312	56.99	100	3.00		9.7	13964	99.53	81	0.80	GFA127	6P	10	16197	141.86	98	1.05	11	12286				87.57	84	0.95	GFAF127	13	10442	74.43	84	1.10	GF127	14	9843	70.16	83	1.15	GFF127	15	8973	63.96	82	1.25		12	11821	126.82	85	1.00	GFA127 GFAF127 GF127 GFF127	4P	12	13641	119.47	103	1.20									13	10641	114.16											84	1.05		15	9277	99.53	83	1.25		17	8138	87.31	81	1.40		20	6938	74.43	80	1.60		21	6540	70.16	79	1.75		23	5962	63.96	79	1.90		26	5197	55.76	79	2.20		30	4573	49.06	79	2.50		35	3887	41.70	79	3.00		16	8669	93.00	44	0.85	GFA107	4P	13	13035	114.16	78	0.85	16		8261		88.63		45	0.90	GFAF107	17	7874	84.47	46	0.95	GF107	19	6986	74.95	48	1.05	GFF107	21	6339	68.01	50	1.15		25	5449	58.46	50	1.35	GFA107	4P	15	11364	99.53	78	1.00	29		4756		51.02		49	1.55	GFAF107	34	4034	43.28	48	1.80	GF107	39	3517	37.73	47	2.10	GFF107	46	2981	31.98	46	2.50		20	8558	74.95	44	0.85	GFA107	4P	17	9999	87.57	77	1.15	22		7765		68.01		46	0.95	GFAF107	25	6675	58.46	46	1.10	GF107	29	5825	51.02	46	1.25
220	454	6.64	14	2.20				253	394	5.76	13		2.60			283	353	5.16	13	2.90		341	293	4.28	13	3.20		55	2470	26.50	12	1.15	GFA97 GFAF97 GF97 GFF97	4P	62	2207	23.68	12	1.30				68	1987	21.32	12	1.45				76	1800	19.31	12			1.60		85	1596			17.12	12	1.80				94	1443	15.48	12	2.00			GFA87	111	1223	13.12	12			2.30	GFAF87	127	1068	11.46			12	2.70	GF87	152	893	9.58	12	3.10	GFF87	176	773	8.29	11	1.90				199	685	7.35	11	2.10		220	620	6.65	11	2.30		259	525	5.63	10	2.80		297	459	4.92	10	3.20		354	384	4.12	10	3.60		15.0kW							18.5kW							6.4	20101	227	86	0.85	GFA157R97 GFAF157R97 GF157R97 GFF157R97	4P	7.4	21477	198	73	0.80	GFA157R97 GFAF157R97 GF157R97 GFF157R97	4P		7.4	17533	198	95	1.00				7.4	17356	196		96	1.05		6.8		19902	141.86	86		0.85	GFA157	8.1	16761	119.47	94	0.95	GFAF157	6P	8.4	20034	175.46	84	0.85	GFA157 GFAF157 GF157 GFF157	4P		9.0	15124	107.80	100	1.10				GF157	10	13518		96.35	104		1.25		GFF157		12		11563	82.42			107		1.40					6.7	20183			216.53	84			0.85	GFA157 GFAF157 GF157 GFF157	4P	9.1	18521	162.21	90			0.90	8.3	16355	175.46	97	1.05		9.0																	15120	162.21	100	1.15		10	13223	141.86	105	1.30		12	11136	119.47	108			1.45		14	10048	107.80	11	1.70		15	8981	96.35	110	1.90		18	7682	82.42	108	2.10		19	7102	76.19	106	2.30		22	6211	66.63	10	2.70		26	5312	56.99	100	3.00		9.7	13964	99.53	81	0.80	GFA127	6P	10	16197	141.86	98	1.05	11	12286		87.57	84	0.95	GFAF127	13	10442	74.43			84	1.10	GF127	14	9843	70.16	83	1.15	GFF127	15	8973	63.96	82	1.25		12	11821	126.82	85	1.00	GFA127 GFAF127 GF127 GFF127	4P	12	13641	119.47	103	1.20	13			10641	114.16	84	1.05								15	9277	99.53	83	1.25												17	8138	87.31	81	1.40		20	6938	74.43	80	1.60		21	6540	70.16	79	1.75		23	5962	63.96	79	1.90		26	5197	55.76	79	2.20		30	4573	49.06	79	2.50		35	3887	41.70	79	3.00		16	8669	93.00	44	0.85	GFA107	4P	13	13035	114.16	78	0.85	16	8261		88.63	45	0.90	GFAF107	17	7874	84.47	46		0.95		GF107	19	6986	74.95	48	1.05	GFF107	21	6339	68.01	50	1.15		25	5449	58.46	50	1.35	GFA107	4P	15	11364	99.53	78	1.00	29	4756		51.02	49	1.55	GFAF107	34	4034	43.28	48		1.80		GF107	39	3517	37.73	47	2.10	GFF107	46	2981	31.98	46	2.50		20	8558	74.95	44	0.85	GFA107	4P	17	9999	87.57	77	1.15	22	7765		68.01	46	0.95	GFAF107	25	6675	58.46	46		1.10		GF107	29	5825	51.02	46	1.25	GFF107							
253	394	5.76	13	2.60				283	353	5.16	13	2.90		341	293	4.28	13	3.20		55	2470	26.50	12	1.15	GFA97 GFAF97 GF97 GFF97	4P	62	2207	23.68	12	1.30				68	1987	21.32	12	1.45				76	1800	19.31	12	1.60				85	1596	17.12	12			1.80		94	1443			15.48	12	2.00	GFA87			111	1223	13.12	12	2.30			GFAF87	127	1068	11.46	12			2.70	GF87	152	893	9.58			12	3.10	GFF87	176	773	8.29	11	1.90		199	685	7.35	11	2.10		220	620	6.65	11	2.30		259	525	5.63	10	2.80		297	459	4.92	10	3.20		354	384	4.12	10	3.60		15.0kW							18.5kW							6.4	20101	227	86	0.85	GFA157R97 GFAF157R97 GF157R97 GFF157R97	4P	7.4	21477	198	73	0.80	GFA157R97 GFAF157R97 GF157R97 GFF157R97	4P		7.4	17533	198	95	1.00				7.4	17356	196	96	1.05				6.8	19902	141.86	86	0.85	GFA157	8.1	16761		119.47	94	0.95	GFAF157	6P	8.4	20034	175.46	84	0.85	GFA157 GFAF157 GF157 GFF157	4P		9.0	15124	107.80	100	1.10				GF157	10	13518	96.35	104				1.25	GFF157	12	11563	82.42	107		1.40				6.7		20183	216.53			84		0.85				GFA157 GFAF157 GF157 GFF157	4P	9.1			18521	162.21			90			0.90	8.3	16355	175.46			97	1.05		9.0	15120	162.21	100	1.15				10													13223	141.86	105	1.30		12	11136	119.47	108	1.45		14	10048	107.80	11	1.70		15	8981	96.35	110	1.90		18	7682	82.42	108	2.10		19	7102	76.19	106	2.30		22	6211	66.63	10	2.70		26	5312	56.99	100	3.00		9.7	13964	99.53	81	0.80	GFA127	6P	10	16197	141.86	98	1.05	11	12286		87.57	84	0.95	GFAF127	13	10442	74.43		84	1.10	GF127	14	9843	70.16	83		1.15	GFF127	15	8973	63.96	82	1.25		12	11821	126.82	85	1.00	GFA127 GFAF127 GF127 GFF127	4P	12	13641	119.47	103	1.20	13			10641	114.16	84	1.05		15			9277	99.53	83	1.25								17	8138	87.31	81	1.40						20					6938	74.43	80	1.60		21	6540	70.16	79	1.75		23	5962	63.96	79	1.90		26	5197	55.76	79	2.20		30	4573	49.06	79	2.50		35	3887	41.70	79	3.00		16	8669	93.00	44	0.85	GFA107	4P	13	13035	114.16	78	0.85	16	8261		88.63	45	0.90	GFAF107	17	7874	84.47		46	0.95	GF107	19	6986	74.95	48	1.05	GFF107	21		6339	68.01	50	1.15		25	5449	58.46	50	1.35	GFA107	4P	15	11364	99.53	78	1.00	29	4756		51.02	49	1.55	GFAF107	34	4034	43.28		48	1.80	GF107	39	3517	37.73	47	2.10	GFF107	46		2981	31.98	46	2.50		20	8558	74.95	44	0.85	GFA107	4P	17	9999	87.57	77	1.15	22	7765		68.01	46	0.95	GFAF107	25	6675	58.46		46	1.10	GF107	29	5825	51.02	46	1.25	GFF107																
283	353	5.16	13	2.90		341	293	4.28	13	3.20		55	2470	26.50	12	1.15	GFA97 GFAF97 GF97 GFF97	4P	62	2207	23.68	12	1.30				68	1987	21.32	12	1.45				76	1800	19.31	12	1.60				85	1596	17.12	12	1.80				94	1443	15.48	12			2.00	GFA87	111	1223			13.12	12	2.30	GFAF87			127	1068	11.46	12	2.70			GF87	152	893	9.58	12			3.10	GFF87	176	773	8.29			11	1.90		199	685	7.35	11	2.10		220	620	6.65	11	2.30		259	525	5.63	10	2.80		297	459	4.92	10	3.20		354	384	4.12	10	3.60		15.0kW							18.5kW							6.4	20101	227	86	0.85	GFA157R97 GFAF157R97 GF157R97 GFF157R97	4P	7.4	21477	198	73	0.80		GFA157R97 GFAF157R97 GF157R97 GFF157R97	4P	7.4	17533	198	95			1.00		7.4	17356	196	96			1.05		6.8	19902	141.86	86		0.85	GFA157	8.1	16761	119.47	94	0.95	GFAF157	6P	8.4	20034	175.46	84	0.85		GFA157 GFAF157 GF157 GFF157	4P	9.0	15124	107.80				100	1.10	GF157	10	13518				96.35	104	1.25	GFF157	12			11563	82.42	107	1.40		6.7	20183		216.53		84		0.85		GFA157 GFAF157 GF157 GFF157	4P			9.1		18521						162.21			90	0.90			8.3			16355	175.46	97	1.05				9.0	15120	162.21	100	1.15		10			13223	141.86													105	1.30		12	11136	119.47	108	1.45		14	10048	107.80	11	1.70		15	8981	96.35	110	1.90		18	7682	82.42	108	2.10		19	7102	76.19	106	2.30		22	6211	66.63	10	2.70		26	5312	56.99	100	3.00		9.7	13964	99.53	81	0.80	GFA127	6P	10		16197	141.86	98	1.05	11	12286	87.57		84	0.95	GFAF127	13	10442	74.43	84		1.10	GF127	14	9843	70.16	83	1.15	GFF127	15	8973	63.96	82	1.25		12	11821	126.82	85	1.00	GFA127 GFAF127 GF127 GFF127	4P			12	13641	119.47	103	1.20	13			10641	114.16	84	1.05		15			9277	99.53	83	1.25								17	8138	87.31	81	1.40						20					6938	74.43	80	1.60		21	6540	70.16	79	1.75		23	5962	63.96	79	1.90		26	5197	55.76	79	2.20		30	4573	49.06	79	2.50		35	3887	41.70	79	3.00		16	8669	93.00	44	0.85	GFA107		4P	13	13035	114.16	78	0.85	16		8261	88.63	45	0.90	GFAF107	17	7874		84.47	46	0.95	GF107	19	6986	74.95	48	1.05	GFF107	21	6339	68.01	50	1.15		25	5449	58.46	50	1.35	GFA107		4P	15	11364	99.53	78	1.00	29		4756	51.02	49	1.55	GFAF107	34	4034		43.28	48	1.80	GF107	39	3517	37.73	47	2.10	GFF107	46	2981	31.98	46	2.50		20	8558	74.95	44	0.85	GFA107		4P	17	9999	87.57	77	1.15	22		7765	68.01	46	0.95	GFAF107	25	6675		58.46	46	1.10	GF107	29	5825	51.02	46	1.25	GFF107															
341	293	4.28	13	3.20		55	2470	26.50	12	1.15	GFA97 GFAF97 GF97 GFF97	4P	62	2207	23.68	12			1.30		68	1987	21.32	12			1.45		76	1800	19.31	12			1.60		85	1596	17.12	12			1.80		94	1443	15.48	12			2.00	GFA87	111	1223			13.12	12	2.30	GFAF87			127	1068	11.46	12			2.70	GF87	152	893	9.58			12	3.10	GFF87	176	773			8.29	11	1.90		199	685	7.35	11	2.10		220	620	6.65	11	2.30		259	525	5.63	10	2.80		297	459	4.92	10	3.20		354	384	4.12	10	3.60		15.0kW							18.5kW							6.4	20101	227	86	0.85	GFA157R97 GFAF157R97 GF157R97 GFF157R97	4P	7.4	21477	198	73	0.80		GFA157R97 GFAF157R97 GF157R97 GFF157R97	4P	7.4	17533	198		95		1.00		7.4	17356			196	96	1.05		6.8	19902		141.86	86	0.85	GFA157	8.1	16761	119.47	94	0.95	GFAF157	6P	8.4	20034	175.46	84	0.85		GFA157 GFAF157 GF157 GFF157	4P	9.0	15124	107.80				100	1.10	GF157				10	13518	96.35	104	1.25			GFF157	12	11563	82.42	107	1.40				6.7	20183	216.53	84	0.85	GFA157 GFAF157 GF157 GFF157		4P		9.1		18521						162.21		90						0.90			8.3	16355	175.46	97	1.05				9.0	15120	162.21			100	1.15		10	13223	141.86	105	1.30				12											11136	119.47	108	1.45		14	10048	107.80	11	1.70		15	8981	96.35	110	1.90		18	7682	82.42	108	2.10		19	7102	76.19	106	2.30		22	6211	66.63	10	2.70		26	5312	56.99	100	3.00		9.7	13964	99.53	81	0.80	GFA127	6P	10	16197	141.86	98	1.05		11		12286	87.57	84	0.95	GFAF127	13	10442		74.43	84	1.10	GF127	14	9843	70.16	83	1.15	GFF127	15	8973	63.96	82	1.25		12	11821	126.82	85	1.00	GFA127 GFAF127 GF127 GFF127	4P	12	13641	119.47	103					1.20	13	10641	114.16	84	1.05				15	9277	99.53	83	1.25				17	8138	87.31	81			1.40				20	6938	74.43	80	1.60						21					6540	70.16	79	1.75		23	5962	63.96	79	1.90		26	5197	55.76	79	2.20		30	4573	49.06	79	2.50		35	3887	41.70	79	3.00		16	8669	93.00	44	0.85	GFA107	4P	13	13035	114.16	78	0.85			16	8261	88.63	45	0.90	GFAF107		17	7874	84.47	46	0.95	GF107	19	6986	74.95	48	1.05	GFF107	21	6339	68.01	50	1.15		25	5449	58.46	50	1.35	GFA107	4P	15	11364	99.53	78	1.00			29	4756	51.02	49	1.55	GFAF107		34	4034	43.28	48	1.80	GF107	39	3517	37.73	47	2.10	GFF107	46	2981	31.98	46	2.50		20	8558	74.95	44	0.85	GFA107	4P	17	9999	87.57	77	1.15			22	7765	68.01	46	0.95	GFAF107		25	6675	58.46	46	1.10	GF107	29	5825	51.02	46	1.25	GFF107																					
55	2470	26.50	12	1.15	GFA97 GFAF97 GF97 GFF97	4P	62	2207	23.68	12			1.30		68	1987			21.32	12	1.45		76	1800			19.31	12	1.60		85	1596			17.12	12	1.80		94	1443			15.48	12	2.00	GFA87	111	1223			13.12	12	2.30	GFAF87			127	1068	11.46	12			2.70	GF87	152	893			9.58	12	3.10	GFF87	176			773	8.29	11	1.90		199	685	7.35	11	2.10		220	620	6.65	11	2.30		259	525	5.63	10	2.80		297	459	4.92	10	3.20		354	384	4.12	10	3.60		15.0kW							18.5kW							6.4	20101	227	86	0.85	GFA157R97 GFAF157R97 GF157R97 GFF157R97	4P	7.4	21477	198	73	0.80		GFA157R97 GFAF157R97 GF157R97 GFF157R97	4P	7.4	17533	198		95		1.00		7.4		17356		196	96	1.05			6.8	19902	141.86	86	0.85	GFA157	8.1	16761	119.47	94	0.95	GFAF157	6P	8.4	20034	175.46	84	0.85		GFA157 GFAF157 GF157 GFF157	4P	9.0	15124	107.80				100	1.10	GF157				10	13518	96.35			104	1.25	GFF157	12	11563	82.42			107	1.40		6.7	20183	216.53			84	0.85	GFA157 GFAF157 GF157 GFF157	4P	9.1	18521					162.21		90						0.90		8.3						16355	175.46	97	1.05		9.0	15120	162.21			100	1.15		10			13223	141.86	105	1.30		12	11136	119.47			108	1.45									14		10048	107.80	11	1.70		15	8981	96.35	110	1.90		18	7682	82.42	108	2.10		19	7102	76.19	106	2.30		22	6211	66.63	10	2.70		26	5312	56.99	100	3.00		9.7	13964	99.53	81	0.80	GFA127	6P	10	16197	141.86	98	1.05		11	12286	87.57	84	0.95		GFAF127		13	10442	74.43	84	1.10	GF127	14	9843	70.16	83	1.15	GFF127	15	8973	63.96	82	1.25		12	11821	126.82	85	1.00	GFA127 GFAF127 GF127 GFF127	4P	12	13641	119.47	103			1.20	13	10641	114.16					84	1.05		15	9277	99.53			83	1.25		17	8138	87.31			81	1.40		20	6938		74.43	80	1.60			21	6540	70.16	79	1.75						23					5962	63.96	79	1.90		26	5197	55.76	79	2.20		30	4573	49.06	79	2.50		35	3887	41.70	79	3.00		16	8669	93.00	44	0.85	GFA107	4P	13	13035	114.16	78	0.85		16	8261	88.63	45	0.90			GFAF107	17	7874	84.47	46	0.95	GF107	19	6986	74.95	48	1.05	GFF107	21	6339	68.01	50	1.15		25	5449	58.46	50	1.35	GFA107	4P	15	11364	99.53	78	1.00		29	4756	51.02	49	1.55			GFAF107	34	4034	43.28	48	1.80	GF107	39	3517	37.73	47	2.10	GFF107	46	2981	31.98	46	2.50		20	8558	74.95	44	0.85	GFA107	4P	17	9999	87.57	77	1.15		22	7765	68.01	46	0.95			GFAF107	25	6675	58.46	46	1.10	GF107	29	5825	51.02	46	1.25	GFF107																											
68	1987	21.32	12	1.45				76	1800	19.31			12	1.60		85			1596	17.12	12	1.80		94			1443	15.48	12	2.00	GFA87	111			1223	13.12	12	2.30	GFAF87	127			1068	11.46	12	2.70	GF87	152			893	9.58	12	3.10			GFF87	176	773	8.29			11	1.90		199			685	7.35	11	2.10		220	620	6.65	11	2.30		259	525	5.63	10	2.80		297	459	4.92	10	3.20		354	384	4.12	10	3.60		15.0kW							18.5kW							6.4	20101	227	86	0.85	GFA157R97 GFAF157R97 GF157R97 GFF157R97	4P	7.4	21477	198	73	0.80	GFA157R97 GFAF157R97 GF157R97 GFF157R97	4P	7.4	17533	198	95	1.00			7.4	17356	196	96		1.05			6.8	19902		141.86		86	0.85	GFA157	8.1	16761		119.47	94	0.95	GFAF157	6P	8.4	20034	175.46	84	0.85	GFA157 GFAF157 GF157 GFF157	4P	9.0	15124	107.80	100	1.10		GF157	10	13518	96.35	104				1.25	GFF157	12				11563	82.42	107	1.40				6.7	20183			216.53	84	0.85	GFA157 GFAF157 GF157 GFF157	4P	9.1			18521	162.21	90	0.90	8.3	16355			175.46	97			1.05						9.0		15120						162.21		100		1.15				10	13223	141.86	105	1.30		12	11136			119.47	108	1.45				14	10048	107.80	11	1.70		15	8981			96.35	110					1.90			18	7682		82.42	108	2.10		19	7102	76.19	106	2.30		22	6211	66.63	10	2.70		26	5312	56.99	100	3.00		9.7	13964	99.53	81	0.80	GFA127	6P	10	16197	141.86	98	1.05	11	12286	87.57	84	0.95	GFAF127	13		10442	74.43	84	1.10	GF127		14	9843	70.16	83	1.15		GFF127	15	8973	63.96	82	1.25		12	11821	126.82	85	1.00	GFA127 GFAF127 GF127 GFF127	4P	12	13641	119.47	103	1.20	13	10641	114.16	84	1.05				15	9277	99.53	83			1.25		17	8138					87.31	81	1.40		20	6938			74.43	80	1.60		21	6540			70.16	79	1.75		23	5962	63.96	79	1.90		26	5197	55.76	79	2.20						30	4573					49.06	79	2.50		35	3887	41.70	79	3.00		16	8669	93.00	44	0.85	GFA107	4P	13	13035	114.16	78	0.85	16	8261	88.63	45	0.90	GFAF107	17		7874	84.47	46	0.95	GF107		19	6986	74.95	48	1.05	GFF107		21	6339	68.01	50	1.15		25	5449	58.46	50	1.35	GFA107	4P	15	11364	99.53	78	1.00	29	4756	51.02	49	1.55	GFAF107	34		4034	43.28	48	1.80	GF107		39	3517	37.73	47	2.10	GFF107		46	2981	31.98	46	2.50		20	8558	74.95	44	0.85	GFA107	4P	17	9999	87.57	77	1.15	22	7765	68.01	46	0.95	GFAF107	25		6675	58.46	46	1.10	GF107		29	5825	51.02	46	1.25	GFF107																																									
76	1800	19.31	12	1.60				85	1596	17.12			12	1.80		94			1443	15.48	12	2.00	GFA87	111			1223	13.12	12	2.30	GFAF87	127			1068	11.46	12	2.70	GF87	152			893	9.58	12	3.10	GFF87	176			773	8.29	11	1.90				199	685	7.35			11	2.10		220	620	6.65	11	2.30		259	525	5.63	10	2.80		297	459	4.92	10	3.20		354	384	4.12	10	3.60		15.0kW							18.5kW							6.4	20101	227	86	0.85	GFA157R97 GFAF157R97 GF157R97 GFF157R97	4P	7.4	21477	198	73	0.80	GFA157R97 GFAF157R97 GF157R97 GFF157R97	4P		7.4	17533	198	95	1.00			7.4	17356	196	96	1.05			6.8	19902	141.86	86		0.85		GFA157	8.1	16761	119.47	94		0.95	GFAF157	6P	8.4	20034	175.46	84	0.85	GFA157 GFAF157 GF157 GFF157	4P		9.0	15124	107.80	100	1.10			GF157	10	13518	96.35	104		1.25	GFF157	12	11563	82.42				107	1.40		6.7			20183	216.53	84	0.85			GFA157 GFAF157 GF157 GFF157	4P	9.1			18521	162.21	90			0.90			8.3	16355	175.46	97	1.05				9.0	15120			162.21	100					1.15								10	13223	141.86	105	1.30				12	11136	119.47	108	1.45		14	10048			107.80	11	1.70				15	8981	96.35	110	1.90		18	7682			82.42	108					2.10		19	7102	76.19	106	2.30		22	6211	66.63	10	2.70		26	5312	56.99	100	3.00		9.7	13964	99.53	81	0.80	GFA127	6P	10	16197	141.86	98	1.05	11	12286		87.57	84	0.95	GFAF127	13	10442	74.43	84	1.10	GF127	14	9843		70.16	83	1.15	GFF127	15		8973	63.96	82	1.25		12	11821	126.82	85	1.00	GFA127 GFAF127 GF127 GFF127	4P	12	13641	119.47	103	1.20	13			10641	114.16	84	1.05		15	9277	99.53	83	1.25				17	8138	87.31	81			1.40		20	6938					74.43	80	1.60		21	6540			70.16	79	1.75		23	5962			63.96	79	1.90		26	5197	55.76	79	2.20		30	4573	49.06	79	2.50		35	3887			41.70	79					3.00		16	8669	93.00	44	0.85	GFA107	4P	13	13035	114.16	78	0.85	16	8261		88.63	45	0.90	GFAF107	17	7874	84.47	46	0.95	GF107	19	6986		74.95	48	1.05	GFF107	21		6339	68.01	50	1.15		25	5449	58.46	50	1.35	GFA107	4P	15	11364	99.53	78	1.00	29	4756		51.02	49	1.55	GFAF107	34	4034	43.28	48	1.80	GF107	39	3517		37.73	47	2.10	GFF107	46		2981	31.98	46	2.50		20	8558	74.95	44	0.85	GFA107	4P	17	9999	87.57	77	1.15	22	7765		68.01	46	0.95	GFAF107	25	6675	58.46	46	1.10	GF107	29	5825		51.02	46	1.25	GFF107																																																	
85	1596	17.12	12	1.80				94	1443	15.48			12	2.00	GFA87	111			1223	13.12	12	2.30	GFAF87	127			1068	11.46	12	2.70	GF87	152			893	9.58	12	3.10	GFF87	176			773	8.29	11	1.90		199			685	7.35	11	2.10				220	620	6.65	11	2.30		259	525	5.63	10	2.80		297	459	4.92	10	3.20		354	384	4.12	10	3.60		15.0kW							18.5kW							6.4	20101	227	86	0.85	GFA157R97 GFAF157R97 GF157R97 GFF157R97	4P	7.4	21477	198	73	0.80	GFA157R97 GFAF157R97 GF157R97 GFF157R97	4P		7.4	17533	198	95	1.00				7.4	17356	196	96	1.05			6.8	19902	141.86	86	0.85		GFA157	8.1	16761	119.47	94	0.95	GFAF157		6P	8.4	20034	175.46	84	0.85	GFA157 GFAF157 GF157 GFF157	4P		9.0	15124	107.80	100	1.10				GF157	10	13518	96.35	104			1.25	GFF157	12	11563	82.42		107	1.40		6.7	20183	216.53			84	0.85	GFA157 GFAF157 GF157 GFF157	4P			9.1	18521	162.21	90					0.90			8.3	16355	175.46			97			1.05		9.0	15120	162.21	100			1.15				10	13223					141.86		105				1.30		12	11136	119.47	108	1.45				14	10048	107.80	11	1.70		15	8981			96.35	110	1.90				18	7682	82.42	108	2.10		19	7102			76.19	106			2.30		22	6211	66.63	10	2.70		26	5312	56.99	100	3.00		9.7	13964	99.53	81	0.80	GFA127	6P	10	16197	141.86	98	1.05	11	12286		87.57	84	0.95	GFAF127	13	10442	74.43		84	1.10	GF127	14	9843	70.16	83	1.15	GFF127	15	8973	63.96		82	1.25		12	11821	126.82	85	1.00	GFA127 GFAF127 GF127 GFF127	4P	12	13641	119.47	103	1.20	13			10641	114.16	84	1.05		15			9277	99.53	83	1.25		17	8138	87.31	81	1.40				20	6938	74.43	80			1.60		21	6540					70.16	79	1.75		23	5962			63.96	79	1.90		26	5197			55.76	79	2.20		30	4573	49.06	79	2.50		35	3887	41.70	79	3.00		16	8669	93.00	44	0.85	GFA107					4P	13	13035	114.16	78	0.85	16	8261		88.63	45	0.90	GFAF107	17	7874	84.47		46	0.95	GF107	19	6986	74.95	48	1.05	GFF107	21	6339	68.01		50	1.15		25	5449	58.46	50	1.35	GFA107	4P	15	11364	99.53	78	1.00	29	4756		51.02	49	1.55	GFAF107	34	4034	43.28		48	1.80	GF107	39	3517	37.73	47	2.10	GFF107	46	2981	31.98		46	2.50		20	8558	74.95	44	0.85	GFA107	4P	17	9999	87.57	77	1.15	22	7765		68.01	46	0.95	GFAF107	25	6675	58.46		46	1.10	GF107	29	5825	51.02	46	1.25	GFF107																																																									
94	1443	15.48	12	2.00			GFA87	111	1223	13.12			12	2.30	GFAF87	127			1068	11.46	12	2.70	GF87	152			893	9.58	12	3.10	GFF87	176			773	8.29	11	1.90		199			685	7.35	11	2.10		220			620	6.65	11	2.30		259	525	5.63	10	2.80		297	459	4.92	10	3.20		354	384	4.12	10	3.60		15.0kW							18.5kW							6.4	20101	227	86	0.85	GFA157R97 GFAF157R97 GF157R97 GFF157R97	4P	7.4	21477	198	73	0.80	GFA157R97 GFAF157R97 GF157R97 GFF157R97	4P		7.4	17533	198	95	1.00				7.4	17356	196	96	1.05				6.8	19902	141.86	86	0.85	GFA157		8.1	16761	119.47	94	0.95	GFAF157	6P	8.4	20034	175.46	84	0.85	GFA157 GFAF157 GF157 GFF157	4P		9.0	15124	107.80	100	1.10				GF157	10	13518	96.35	104				1.25	GFF157	12	11563	82.42			107	1.40		6.7	20183	216.53	84	0.85	GFA157 GFAF157 GF157 GFF157	4P	9.1	18521			162.21	90					0.90	8.3	16355	175.46					97			1.05		9.0			15120			162.21	100	1.15		10	13223			141.86	105			1.30						12	11136	119.47	108			1.45		14	10048	107.80	11	1.70				15	8981	96.35	110	1.90		18	7682			82.42	108	2.10				19	7102	76.19	106	2.30		22	6211			66.63	10	2.70		26	5312	56.99	100	3.00		9.7	13964	99.53	81	0.80	GFA127	6P	10	16197	141.86	98	1.05	11	12286		87.57	84	0.95	GFAF127	13	10442	74.43		84	1.10	GF127	14	9843	70.16	83		1.15	GFF127	15	8973	63.96	82	1.25		12	11821	126.82	85	1.00	GFA127 GFAF127 GF127 GFF127	4P	12	13641	119.47	103	1.20	13			10641	114.16	84	1.05		15			9277	99.53	83	1.25		17			8138	87.31	81	1.40		20	6938	74.43	80	1.60				21	6540	70.16	79			1.75		23	5962					63.96	79	1.90		26	5197			55.76	79	2.20		30	4573			49.06	79	2.50		35	3887	41.70	79	3.00		16	8669	93.00	44	0.85	GFA107	4P	13	13035	114.16	78	0.85	16	8261				88.63	45	0.90	GFAF107	17	7874	84.47		46	0.95	GF107	19	6986	74.95	48		1.05	GFF107	21	6339	68.01	50	1.15		25	5449	58.46	50	1.35	GFA107	4P	15	11364	99.53	78	1.00	29	4756		51.02	49	1.55	GFAF107	34	4034	43.28		48	1.80	GF107	39	3517	37.73	47		2.10	GFF107	46	2981	31.98	46	2.50		20	8558	74.95	44	0.85	GFA107	4P	17	9999	87.57	77	1.15	22	7765		68.01	46	0.95	GFAF107	25	6675	58.46		46	1.10	GF107	29	5825	51.02	46		1.25	GFF107																																																																
111	1223	13.12	12	2.30			GFAF87	127	1068	11.46			12	2.70	GF87	152			893	9.58	12	3.10	GFF87	176			773	8.29	11	1.90		199			685	7.35	11	2.10		220			620	6.65	11	2.30		259	525	5.63	10	2.80		297	459	4.92	10	3.20		354	384	4.12	10	3.60		15.0kW							18.5kW							6.4	20101	227	86	0.85	GFA157R97 GFAF157R97 GF157R97 GFF157R97	4P	7.4	21477	198	73	0.80	GFA157R97 GFAF157R97 GF157R97 GFF157R97	4P		7.4	17533	198	95	1.00				7.4	17356	196	96	1.05				6.8	19902	141.86	86	0.85	GFA157		8.1	16761	119.47	94	0.95	GFAF157	6P	8.4	20034	175.46	84	0.85	GFA157 GFAF157 GF157 GFF157	4P		9.0	15124	107.80	100	1.10				GF157	10	13518	96.35	104				1.25	GFF157	12	11563	82.42			107	1.40		6.7	20183	216.53			84	0.85	GFA157 GFAF157 GF157 GFF157	4P	9.1	18521	162.21	90			0.90	8.3			16355	175.46					97	1.05		9.0					15120			162.21	100	1.15						10	13223	141.86	105	1.30				12	11136			119.47	108		1.45			14	10048	107.80	11			1.70		15	8981	96.35	110	1.90				18	7682	82.42	108	2.10		19	7102			76.19	106	2.30				22	6211	66.63	10	2.70		26	5312	56.99	100	3.00		9.7	13964	99.53	81	0.80	GFA127	6P	10	16197	141.86	98	1.05	11	12286		87.57	84	0.95	GFAF127	13	10442	74.43		84	1.10	GF127	14	9843	70.16	83		1.15	GFF127	15	8973	63.96	82	1.25		12	11821	126.82	85	1.00	GFA127 GFAF127 GF127 GFF127	4P	12	13641	119.47	103	1.20	13			10641	114.16	84	1.05		15			9277	99.53	83	1.25		17			8138	87.31	81	1.40		20			6938	74.43	80	1.60		21	6540	70.16	79	1.75				23	5962	63.96	79			1.90		26	5197					55.76	79	2.20		30	4573			49.06	79	2.50		35	3887			41.70	79	3.00		16	8669	93.00	44	0.85	GFA107	4P	13	13035	114.16	78	0.85		16	8261	88.63	45	0.90	GFAF107	17	7874	84.47		46	0.95	GF107	19	6986	74.95	48		1.05	GFF107	21	6339	68.01	50	1.15		25	5449	58.46	50	1.35	GFA107	4P	15	11364	99.53	78	1.00	29	4756		51.02	49	1.55	GFAF107	34	4034	43.28		48	1.80	GF107	39	3517	37.73	47		2.10	GFF107	46	2981	31.98	46	2.50		20	8558	74.95	44	0.85	GFA107	4P	17	9999	87.57	77	1.15	22	7765		68.01	46	0.95	GFAF107	25	6675	58.46		46	1.10	GF107	29	5825	51.02	46		1.25	GFF107																																																																								
127	1068	11.46	12	2.70			GF87	152	893	9.58			12	3.10	GFF87	176			773	8.29	11	1.90		199			685	7.35	11	2.10		220			620	6.65	11	2.30		259	525	5.63	10	2.80		297	459	4.92	10	3.20		354	384	4.12	10	3.60		15.0kW							18.5kW							6.4	20101	227	86	0.85	GFA157R97 GFAF157R97 GF157R97 GFF157R97	4P	7.4	21477	198	73	0.80	GFA157R97 GFAF157R97 GF157R97 GFF157R97	4P		7.4	17533	198	95	1.00				7.4	17356	196	96	1.05				6.8	19902	141.86	86	0.85	GFA157		8.1	16761	119.47	94	0.95	GFAF157	6P	8.4	20034	175.46	84	0.85	GFA157 GFAF157 GF157 GFF157	4P		9.0	15124	107.80	100	1.10				GF157	10	13518	96.35	104				1.25	GFF157	12	11563	82.42			107	1.40		6.7	20183	216.53			84	0.85	GFA157 GFAF157 GF157 GFF157	4P	9.1	18521			162.21	90			0.90	8.3	16355	175.46			97	1.05				9.0					15120	162.21	100	1.15								10	13223	141.86			105			1.30		12	11136	119.47	108	1.45		14	10048			107.80	11		1.70			15	8981	96.35	110			1.90		18	7682	82.42	108	2.10				19	7102	76.19	106	2.30		22	6211			66.63	10	2.70		26	5312	56.99	100	3.00		9.7	13964	99.53	81	0.80	GFA127	6P	10	16197	141.86	98	1.05	11	12286		87.57	84	0.95	GFAF127	13	10442	74.43		84	1.10	GF127	14	9843	70.16	83		1.15	GFF127	15	8973	63.96	82	1.25		12	11821	126.82	85	1.00	GFA127 GFAF127 GF127 GFF127	4P	12	13641	119.47	103	1.20	13			10641	114.16	84	1.05		15			9277	99.53	83	1.25		17			8138	87.31	81	1.40		20			6938	74.43	80	1.60		21			6540	70.16	79	1.75		23	5962	63.96	79	1.90				26	5197	55.76	79			2.20		30	4573					49.06	79	2.50		35	3887			41.70	79	3.00		16	8669	93.00	44	0.85	GFA107	4P	13	13035	114.16	78	0.85	16	8261		88.63	45	0.90	GFAF107	17		7874	84.47	46	0.95	GF107	19	6986	74.95	48		1.05	GFF107	21	6339	68.01	50	1.15		25	5449	58.46	50	1.35	GFA107	4P	15	11364	99.53	78	1.00	29	4756		51.02	49	1.55	GFAF107	34	4034	43.28		48	1.80	GF107	39	3517	37.73	47		2.10	GFF107	46	2981	31.98	46	2.50		20	8558	74.95	44	0.85	GFA107	4P	17	9999	87.57	77	1.15	22	7765		68.01	46	0.95	GFAF107	25	6675	58.46		46	1.10	GF107	29	5825	51.02	46		1.25	GFF107																																																																																
152	893	9.58	12	3.10			GFF87	176	773	8.29			11	1.90		199			685	7.35	11	2.10		220			620	6.65	11	2.30		259	525	5.63	10	2.80		297	459	4.92	10	3.20		354	384	4.12	10	3.60		15.0kW							18.5kW							6.4	20101	227	86	0.85	GFA157R97 GFAF157R97 GF157R97 GFF157R97	4P	7.4	21477	198	73	0.80	GFA157R97 GFAF157R97 GF157R97 GFF157R97	4P		7.4	17533	198	95	1.00				7.4	17356	196	96	1.05				6.8	19902	141.86	86	0.85	GFA157		8.1	16761	119.47	94	0.95	GFAF157	6P	8.4	20034	175.46	84	0.85	GFA157 GFAF157 GF157 GFF157	4P		9.0	15124	107.80	100	1.10				GF157	10	13518	96.35	104				1.25	GFF157	12	11563	82.42			107	1.40		6.7	20183	216.53			84	0.85	GFA157 GFAF157 GF157 GFF157	4P	9.1	18521			162.21	90			0.90	8.3			16355	175.46			97	1.05		9.0			15120	162.21			100	1.15						10	13223	141.86					105			1.30		12			11136	119.47	108	1.45		14	10048	107.80	11	1.70		15	8981			96.35	110		1.90			18	7682	82.42	108			2.10		19	7102	76.19	106	2.30				22	6211	66.63	10	2.70		26	5312	56.99	100	3.00		9.7	13964	99.53	81	0.80	GFA127	6P	10	16197	141.86	98	1.05	11	12286		87.57	84	0.95	GFAF127	13	10442	74.43		84	1.10	GF127	14	9843	70.16	83		1.15	GFF127	15	8973	63.96	82	1.25		12	11821	126.82	85	1.00	GFA127 GFAF127 GF127 GFF127	4P	12	13641	119.47	103	1.20	13			10641	114.16	84	1.05		15			9277	99.53	83	1.25		17			8138	87.31	81	1.40		20			6938	74.43	80	1.60		21			6540	70.16	79	1.75		23			5962	63.96	79	1.90		26	5197	55.76	79	2.20				30	4573	49.06	79			2.50		35	3887					41.70	79	3.00		16	8669	93.00	44	0.85	GFA107	4P	13	13035	114.16	78	0.85	16	8261		88.63	45	0.90	GFAF107	17	7874	84.47		46	0.95	GF107	19	6986		74.95	48	1.05	GFF107	21	6339	68.01	50	1.15		25	5449	58.46	50	1.35	GFA107	4P	15	11364	99.53	78	1.00	29	4756		51.02	49	1.55	GFAF107	34	4034	43.28		48	1.80	GF107	39	3517	37.73	47		2.10	GFF107	46	2981	31.98	46	2.50		20	8558	74.95	44	0.85	GFA107	4P	17	9999	87.57	77	1.15	22	7765		68.01	46	0.95	GFAF107	25	6675	58.46		46	1.10	GF107	29	5825	51.02	46		1.25	GFF107																																																																																								
176	773	8.29	11	1.90				199	685	7.35			11	2.10		220			620	6.65	11	2.30		259	525	5.63	10	2.80		297	459	4.92	10	3.20		354	384	4.12	10	3.60		15.0kW							18.5kW							6.4	20101	227	86	0.85	GFA157R97 GFAF157R97 GF157R97 GFF157R97	4P	7.4	21477	198	73	0.80	GFA157R97 GFAF157R97 GF157R97 GFF157R97	4P		7.4	17533	198	95	1.00				7.4	17356	196	96	1.05				6.8	19902	141.86	86	0.85	GFA157		8.1	16761	119.47	94	0.95	GFAF157	6P	8.4	20034	175.46	84	0.85	GFA157 GFAF157 GF157 GFF157	4P		9.0	15124	107.80	100	1.10				GF157	10	13518	96.35	104				1.25	GFF157	12	11563	82.42			107	1.40		6.7	20183	216.53			84	0.85	GFA157 GFAF157 GF157 GFF157	4P	9.1	18521			162.21	90			0.90	8.3			16355	175.46			97	1.05				9.0			15120	162.21	100	1.15				10			13223	141.86					105	1.30		12					11136	119.47	108	1.45		14			10048	107.80	11	1.70		15	8981	96.35	110	1.90		18	7682			82.42	108		2.10			19	7102	76.19	106			2.30		22	6211	66.63	10	2.70		26	5312	56.99	100	3.00		9.7	13964	99.53	81	0.80	GFA127	6P	10	16197	141.86	98	1.05	11	12286		87.57	84	0.95	GFAF127	13	10442	74.43		84	1.10	GF127	14	9843	70.16	83		1.15	GFF127	15	8973	63.96	82	1.25		12	11821	126.82	85	1.00	GFA127 GFAF127 GF127 GFF127	4P	12	13641	119.47	103	1.20	13			10641	114.16	84	1.05		15			9277	99.53	83	1.25		17			8138	87.31	81	1.40		20			6938	74.43	80	1.60		21			6540	70.16	79	1.75		23			5962	63.96	79	1.90		26			5197	55.76	79	2.20		30	4573	49.06	79	2.50				35	3887	41.70	79			3.00		16	8669			93.00	44	0.85	GFA107	4P	13	13035	114.16	78	0.85	16	8261		88.63	45	0.90	GFAF107	17	7874	84.47		46	0.95	GF107	19	6986	74.95	48		1.05	GFF107	21	6339	68.01	50	1.15		25	5449	58.46	50	1.35	GFA107	4P	15	11364	99.53	78	1.00	29	4756		51.02	49	1.55	GFAF107	34	4034	43.28		48	1.80	GF107	39	3517	37.73	47		2.10	GFF107	46	2981	31.98	46	2.50		20	8558	74.95	44	0.85	GFA107	4P	17	9999	87.57	77	1.15	22	7765		68.01	46	0.95	GFAF107	25	6675	58.46		46	1.10	GF107	29	5825	51.02	46		1.25	GFF107																																																																																																
199	685	7.35	11	2.10				220	620	6.65			11	2.30		259	525	5.63	10	2.80		297	459	4.92	10	3.20		354	384	4.12	10	3.60		15.0kW							18.5kW							6.4	20101	227	86	0.85	GFA157R97 GFAF157R97 GF157R97 GFF157R97	4P	7.4	21477	198	73	0.80	GFA157R97 GFAF157R97 GF157R97 GFF157R97	4P		7.4	17533	198	95	1.00				7.4	17356	196	96	1.05				6.8	19902	141.86	86	0.85	GFA157		8.1	16761	119.47	94	0.95	GFAF157	6P	8.4	20034	175.46	84	0.85	GFA157 GFAF157 GF157 GFF157	4P		9.0	15124	107.80	100	1.10				GF157	10	13518	96.35	104				1.25	GFF157	12	11563	82.42			107	1.40		6.7	20183	216.53			84	0.85	GFA157 GFAF157 GF157 GFF157	4P	9.1	18521			162.21	90			0.90	8.3			16355	175.46			97	1.05				9.0			15120	162.21			100	1.15				10	13223	141.86			105	1.30				12					11136	119.47	108	1.45		14			10048	107.80	11	1.70		15			8981	96.35	110	1.90		18	7682	82.42	108	2.10		19	7102			76.19	106		2.30			22	6211	66.63	10	2.70		26	5312	56.99	100	3.00		9.7	13964	99.53	81	0.80	GFA127	6P	10	16197	141.86	98	1.05	11	12286		87.57	84	0.95	GFAF127	13	10442	74.43		84	1.10	GF127	14	9843	70.16	83		1.15	GFF127	15	8973	63.96	82	1.25		12	11821	126.82	85	1.00	GFA127 GFAF127 GF127 GFF127	4P	12	13641	119.47	103	1.20	13			10641	114.16	84	1.05		15			9277	99.53	83	1.25		17			8138	87.31	81	1.40		20			6938	74.43	80	1.60		21			6540	70.16	79	1.75		23			5962	63.96	79	1.90		26			5197	55.76	79	2.20		30			4573	49.06	79	2.50		35	3887	41.70	79	3.00				16	8669	93.00	44			0.85	GFA107	4P	13	13035	114.16	78	0.85	16	8261		88.63	45	0.90	GFAF107	17	7874	84.47		46	0.95	GF107	19	6986	74.95	48		1.05	GFF107	21	6339	68.01	50	1.15		25	5449	58.46	50	1.35	GFA107	4P	15	11364	99.53	78	1.00	29	4756		51.02	49	1.55	GFAF107	34	4034	43.28		48	1.80	GF107	39	3517	37.73	47		2.10	GFF107	46	2981	31.98	46	2.50		20	8558	74.95	44	0.85	GFA107	4P	17	9999	87.57	77	1.15	22	7765		68.01	46	0.95	GFAF107	25	6675	58.46		46	1.10	GF107	29	5825	51.02	46		1.25	GFF107																																																																																																								
220	620	6.65	11	2.30				259	525	5.63	10	2.80		297	459	4.92	10	3.20		354	384	4.12	10	3.60		15.0kW							18.5kW							6.4	20101	227	86	0.85	GFA157R97 GFAF157R97 GF157R97 GFF157R97	4P	7.4	21477	198	73	0.80	GFA157R97 GFAF157R97 GF157R97 GFF157R97	4P		7.4	17533	198	95	1.00				7.4	17356	196	96	1.05				6.8	19902	141.86	86	0.85	GFA157		8.1	16761	119.47	94	0.95	GFAF157	6P	8.4	20034	175.46	84	0.85	GFA157 GFAF157 GF157 GFF157	4P		9.0	15124	107.80	100	1.10				GF157	10	13518	96.35	104				1.25	GFF157	12	11563	82.42			107	1.40		6.7	20183	216.53			84	0.85	GFA157 GFAF157 GF157 GFF157	4P	9.1	18521			162.21	90			0.90	8.3			16355	175.46			97	1.05				9.0			15120	162.21			100	1.15				10			13223	141.86			105	1.30		12			11136	119.47			108	1.45				14	10048	107.80	11	1.70		15			8981	96.35	110	1.90		18			7682	82.42	108	2.10		19	7102	76.19	106	2.30		22	6211			66.63	10	2.70		26	5312	56.99	100	3.00		9.7	13964	99.53	81	0.80	GFA127	6P	10	16197	141.86	98	1.05	11	12286		87.57	84	0.95	GFAF127	13	10442	74.43		84	1.10	GF127	14	9843	70.16	83		1.15	GFF127	15	8973	63.96	82	1.25		12	11821	126.82	85	1.00	GFA127 GFAF127 GF127 GFF127	4P	12	13641	119.47	103	1.20	13			10641	114.16	84	1.05		15			9277	99.53	83	1.25		17			8138	87.31	81	1.40		20			6938	74.43	80	1.60		21			6540	70.16	79	1.75		23			5962	63.96	79	1.90		26			5197	55.76	79	2.20		30			4573	49.06	79	2.50		35			3887	41.70	79	3.00		16	8669	93.00	44	0.85	GFA107			4P	13	13035	114.16	78	0.85	16	8261		88.63	45	0.90	GFAF107	17	7874	84.47		46	0.95	GF107	19	6986	74.95	48		1.05	GFF107	21	6339	68.01	50	1.15		25	5449	58.46	50	1.35	GFA107	4P	15	11364	99.53	78	1.00	29	4756		51.02	49	1.55	GFAF107	34	4034	43.28		48	1.80	GF107	39	3517	37.73	47		2.10	GFF107	46	2981	31.98	46	2.50		20	8558	74.95	44	0.85	GFA107	4P	17	9999	87.57	77	1.15	22	7765		68.01	46	0.95	GFAF107	25	6675	58.46		46	1.10	GF107	29	5825	51.02	46		1.25	GFF107																																																																																																																
259	525	5.63	10	2.80		297	459	4.92	10	3.20		354	384	4.12	10	3.60		15.0kW							18.5kW							6.4	20101	227	86	0.85	GFA157R97 GFAF157R97 GF157R97 GFF157R97	4P	7.4	21477	198	73	0.80	GFA157R97 GFAF157R97 GF157R97 GFF157R97	4P		7.4	17533	198	95	1.00				7.4	17356	196	96	1.05				6.8	19902	141.86	86	0.85	GFA157		8.1	16761	119.47	94	0.95	GFAF157	6P	8.4	20034	175.46	84	0.85	GFA157 GFAF157 GF157 GFF157	4P		9.0	15124	107.80	100	1.10				GF157	10	13518	96.35	104				1.25	GFF157	12	11563	82.42			107	1.40		6.7	20183	216.53			84	0.85	GFA157 GFAF157 GF157 GFF157	4P	9.1	18521			162.21	90			0.90	8.3			16355	175.46			97	1.05				9.0			15120	162.21			100	1.15				10			13223	141.86			105	1.30				12			11136	119.47	108	1.45				14	10048	107.80	11	1.70				15	8981	96.35	110	1.90		18			7682	82.42	108	2.10		19			7102	76.19	106	2.30		22	6211	66.63	10	2.70		26	5312	56.99	100	3.00		9.7	13964	99.53	81	0.80	GFA127	6P	10	16197	141.86	98	1.05	11	12286		87.57	84	0.95	GFAF127	13	10442	74.43		84	1.10	GF127	14	9843	70.16	83		1.15	GFF127	15	8973	63.96	82	1.25		12	11821	126.82	85	1.00	GFA127 GFAF127 GF127 GFF127	4P	12	13641	119.47	103	1.20	13			10641	114.16	84	1.05		15			9277	99.53	83	1.25		17			8138	87.31	81	1.40		20			6938	74.43	80	1.60		21			6540	70.16	79	1.75		23			5962	63.96	79	1.90		26			5197	55.76	79	2.20		30			4573	49.06	79	2.50		35			3887	41.70	79	3.00		16			8669	93.00	44	0.85	GFA107	4P	13	13035	114.16	78	0.85	16	8261		88.63	45	0.90	GFAF107	17	7874	84.47		46	0.95	GF107	19	6986	74.95	48		1.05	GFF107	21	6339	68.01	50	1.15		25	5449	58.46	50	1.35	GFA107	4P	15	11364	99.53	78	1.00	29	4756		51.02	49	1.55	GFAF107	34	4034	43.28		48	1.80	GF107	39	3517	37.73	47		2.10	GFF107	46	2981	31.98	46	2.50		20	8558	74.95	44	0.85	GFA107	4P	17	9999	87.57	77	1.15	22	7765		68.01	46	0.95	GFAF107	25	6675	58.46		46	1.10	GF107	29	5825	51.02	46		1.25	GFF107																																																																																																																								
297	459	4.92	10	3.20		354	384	4.12	10	3.60		15.0kW							18.5kW							6.4	20101	227	86	0.85	GFA157R97 GFAF157R97 GF157R97 GFF157R97	4P	7.4	21477	198	73	0.80		GFA157R97 GFAF157R97 GF157R97 GFF157R97	4P	7.4	17533	198	95			1.00		7.4	17356	196	96			1.05		6.8	19902	141.86	86		0.85	GFA157	8.1	16761	119.47	94	0.95	GFAF157	6P	8.4	20034	175.46	84	0.85		GFA157 GFAF157 GF157 GFF157	4P	9.0	15124	107.80				100	1.10	GF157	10	13518				96.35	104	1.25	GFF157	12			11563	82.42	107	1.40		6.7			20183	216.53	84	0.85	GFA157 GFAF157 GF157 GFF157	4P			9.1	18521			162.21	90			0.90	8.3			16355	175.46			97	1.05				9.0			15120	162.21			100	1.15				10			13223	141.86			105	1.30				12	11136	119.47	108	1.45				14	10048	107.80			11	1.70		15	8981	96.35			110	1.90		18	7682	82.42	108	2.10				19	7102	76.19	106	2.30		22	6211	66.63	10	2.70		26	5312	56.99	100	3.00		9.7	13964	99.53	81	0.80	GFA127	6P	10	16197	141.86	98	1.05		11	12286	87.57	84	0.95	GFAF127	13		10442	74.43	84	1.10	GF127	14	9843		70.16	83	1.15	GFF127	15	8973	63.96	82	1.25		12	11821	126.82	85	1.00	GFA127 GFAF127 GF127 GFF127	4P	12	13641	119.47	103			1.20	13	10641	114.16	84	1.05				15	9277	99.53	83	1.25				17	8138	87.31	81	1.40				20	6938	74.43	80	1.60				21	6540	70.16	79	1.75				23	5962	63.96	79	1.90				26	5197	55.76	79	2.20				30	4573	49.06	79	2.50				35	3887	41.70	79	3.00				16	8669	93.00	44	0.85	GFA107	4P	13	13035	114.16	78	0.85		16	8261	88.63	45	0.90	GFAF107	17		7874	84.47	46	0.95	GF107	19	6986		74.95	48	1.05	GFF107	21	6339	68.01	50	1.15		25	5449	58.46	50	1.35	GFA107	4P	15	11364	99.53	78	1.00		29	4756	51.02	49	1.55	GFAF107	34		4034	43.28	48	1.80	GF107	39	3517		37.73	47	2.10	GFF107	46	2981	31.98	46	2.50		20	8558	74.95	44	0.85	GFA107	4P	17	9999	87.57	77	1.15		22	7765	68.01	46	0.95	GFAF107	25		6675	58.46	46	1.10	GF107	29	5825		51.02	46	1.25	GFF107																																																																																																																														
354	384	4.12	10	3.60		15.0kW							18.5kW							6.4	20101	227	86	0.85	GFA157R97 GFAF157R97 GF157R97 GFF157R97	4P	7.4	21477	198	73	0.80		GFA157R97 GFAF157R97 GF157R97 GFF157R97	4P	7.4	17533	198		95		1.00		7.4	17356			196	96	1.05		6.8	19902		141.86	86	0.85	GFA157	8.1	16761	119.47	94	0.95	GFAF157	6P	8.4	20034	175.46	84	0.85		GFA157 GFAF157 GF157 GFF157	4P	9.0	15124	107.80				100	1.10	GF157				10	13518	96.35	104	1.25			GFF157	12	11563	82.42	107	1.40				6.7	20183	216.53	84	0.85			GFA157 GFAF157 GF157 GFF157	4P	9.1	18521					162.21	90			0.90	8.3			16355	175.46			97	1.05				9.0			15120	162.21			100	1.15				10			13223	141.86			105	1.30		12	11136	119.47			108	1.45		14	10048	107.80			11	1.70		15			8981	96.35	110	1.90		18			7682	82.42	108	2.10		19	7102	76.19	106	2.30		22	6211	66.63	10	2.70		26	5312	56.99	100	3.00		9.7	13964	99.53	81	0.80	GFA127	6P	10	16197	141.86	98	1.05		11	12286	87.57	84	0.95		GFAF127	13	10442	74.43	84	1.10	GF127		14	9843	70.16	83	1.15	GFF127	15	8973	63.96	82	1.25		12	11821	126.82	85	1.00	GFA127 GFAF127 GF127 GFF127	4P	12	13641	119.47	103			1.20	13	10641	114.16			84	1.05		15	9277	99.53			83	1.25		17	8138	87.31			81	1.40		20	6938	74.43			80	1.60		21	6540	70.16			79	1.75		23	5962	63.96			79	1.90		26	5197	55.76			79	2.20		30	4573	49.06			79	2.50		35	3887	41.70			79	3.00		16	8669	93.00	44	0.85	GFA107	4P	13	13035	114.16	78	0.85		16	8261	88.63	45	0.90		GFAF107	17	7874	84.47	46	0.95	GF107		19	6986	74.95	48	1.05	GFF107	21	6339	68.01	50	1.15		25	5449	58.46	50	1.35	GFA107	4P	15	11364	99.53	78	1.00		29	4756	51.02	49	1.55		GFAF107	34	4034	43.28	48	1.80	GF107		39	3517	37.73	47	2.10	GFF107	46	2981	31.98	46	2.50		20	8558	74.95	44	0.85	GFA107	4P	17	9999	87.57	77	1.15		22	7765	68.01	46	0.95		GFAF107	25	6675	58.46	46	1.10	GF107		29	5825	51.02	46	1.25	GFF107																																																																																																																																				
15.0kW							18.5kW																																																																																																																																																																																																																																																																																																																																																																																																																																																																																																																																																																																					
6.4	20101	227	86	0.85	GFA157R97 GFAF157R97 GF157R97 GFF157R97	4P	7.4	21477	198	73	0.80	GFA157R97 GFAF157R97 GF157R97 GFF157R97	4P																																																																																																																																																																																																																																																																																																																																																																																																																																																																																																																																																																															
7.4	17533	198	95	1.00			7.4	17356	196	96	1.05			6.8	19902	141.86	86	0.85	GFA157	8.1	16761	119.47	94	0.95	GFAF157		6P	8.4	20034	175.46	84	0.85	GFA157 GFAF157 GF157 GFF157		4P	9.0	15124	107.80	100	1.10	GF157	10	13518	96.35	104	1.25	GFF157	12	11563	82.42	107	1.40		6.7	20183	216.53	84	0.85	GFA157 GFAF157 GF157 GFF157	4P	9.1	18521	162.21		90	0.90	8.3	16355	175.46	97			1.05		9.0	15120			162.21	100	1.15				10	13223	141.86	105	1.30				12	11136	119.47	108	1.45				14	10048	107.80	11	1.70						15					8981	96.35			110	1.90				18			7682	82.42	108	2.10		19			7102	76.19	106	2.30		22			6211	66.63	10	2.70		26			5312	56.99	100	3.00		9.7			13964	99.53	81	0.80	GFA127	6P	10	16197	141.86	98	1.05	11	12286	87.57	84	0.95	GFAF127	13	10442	74.43	84	1.10	GF127	14	9843	70.16	83	1.15	GFF127	15	8973	63.96	82	1.25		12	11821	126.82	85	1.00	GFA127 GFAF127 GF127 GFF127	4P	12	13641	119.47	103	1.20	13	10641	114.16	84		1.05		15	9277	99.53	83	1.25		17	8138	87.31	81	1.40		20	6938	74.43	80	1.60		21	6540	70.16	79	1.75		23	5962	63.96	79	1.90		26	5197	55.76	79	2.20				30	4573	49.06			79	2.50		35			3887	41.70	79	3.00		16			8669	93.00	44	0.85	GFA107	4P			13	13035	114.16	78	0.85	16			8261	88.63	45	0.90	GFAF107	17			7874	84.47	46	0.95	GF107	19			6986	74.95	48	1.05	GFF107	21	6339	68.01	50	1.15		25	5449	58.46	50	1.35	GFA107	4P	15	11364	99.53	78	1.00	29	4756	51.02	49	1.55	GFAF107	34	4034	43.28	48		1.80	GF107	39	3517	37.73	47	2.10	GFF107	46	2981	31.98	46	2.50		20	8558	74.95	44	0.85	GFA107	4P	17	9999	87.57	77	1.15	22	7765	68.01	46	0.95	GFAF107	25	6675	58.46	46	1.10	GF107		29	5825	51.02	46	1.25	GFF107																																																																																																																																																																																															
7.4	17356	196	96	1.05			6.8	19902	141.86	86	0.85	GFA157		8.1	16761	119.47	94	0.95	GFAF157	6P	8.4	20034	175.46	84	0.85	GFA157 GFAF157 GF157 GFF157		4P	9.0	15124	107.80	100		1.10		GF157	10	13518	96.35	104	1.25	GFF157	12	11563	82.42	107	1.40		6.7	20183	216.53	84	0.85	GFA157 GFAF157 GF157 GFF157	4P	9.1	18521	162.21			90	0.90	8.3	16355	175.46	97	1.05		9.0	15120			162.21	100	1.15				10	13223	141.86			105	1.30		12	11136	119.47			108	1.45		14	10048	107.80			11	1.70		15	8981	96.35					110	1.90						18			7682	82.42	108	2.10		19			7102	76.19	106	2.30		22			6211	66.63	10	2.70		26			5312	56.99	100	3.00		9.7			13964	99.53	81	0.80	GFA127	6P	10	16197	141.86	98	1.05	11	12286		87.57	84	0.95	GFAF127	13	10442	74.43	84	1.10	GF127	14	9843	70.16	83	1.15	GFF127	15	8973	63.96	82	1.25		12	11821	126.82	85	1.00	GFA127 GFAF127 GF127 GFF127	4P	12	13641	119.47	103	1.20			13	10641	114.16	84	1.05		15	9277	99.53	83	1.25		17	8138	87.31	81	1.40		20	6938	74.43	80	1.60		21	6540	70.16	79	1.75		23	5962	63.96	79	1.90		26	5197	55.76	79	2.20		30	4573	49.06	79	2.50				35	3887	41.70			79	3.00		16			8669	93.00	44	0.85	GFA107	4P			13	13035	114.16	78	0.85				16	8261	88.63	45	0.90	GFAF107			17	7874	84.47	46	0.95	GF107			19	6986	74.95	48	1.05	GFF107	21	6339	68.01	50	1.15		25	5449	58.46	50	1.35	GFA107	4P	15	11364	99.53	78	1.00	29		4756	51.02	49	1.55	GFAF107	34	4034	43.28	48	1.80	GF107	39	3517	37.73	47	2.10	GFF107	46	2981	31.98	46	2.50		20	8558	74.95	44	0.85	GFA107	4P	17	9999	87.57	77	1.15	22		7765	68.01	46	0.95	GFAF107	25	6675	58.46	46	1.10	GF107	29	5825	51.02	46	1.25	GFF107																																																																																																																																																																																																						
6.8	19902	141.86	86	0.85	GFA157		8.1	16761	119.47	94	0.95	GFAF157		6P	8.4	20034	175.46	84	0.85		GFA157 GFAF157 GF157 GFF157	4P	9.0	15124	107.80				100	1.10	GF157	10		13518		96.35	104	1.25	GFF157	12	11563	82.42	107	1.40		6.7	20183	216.53	84	0.85	GFA157 GFAF157 GF157 GFF157	4P	9.1			18521	162.21	90			0.90	8.3	16355	175.46	97	1.05		9.0	15120	162.21			100	1.15		10			13223	141.86	105			1.30		12	11136	119.47	108			1.45		14	10048	107.80	11			1.70		15	8981	96.35	110					1.90				18	7682	82.42	108			2.10		19	7102	76.19	106			2.30		22	6211	66.63	10			2.70		26	5312	56.99	100			3.00		9.7	13964	99.53	81	0.80	GFA127	6P	10	16197	141.86	98		1.05	11	12286	87.57	84	0.95	GFAF127		13	10442	74.43	84	1.10	GF127	14	9843	70.16	83	1.15	GFF127	15	8973	63.96	82	1.25		12	11821	126.82	85	1.00	GFA127 GFAF127 GF127 GFF127	4P	12	13641			119.47	103	1.20	13	10641			114.16	84	1.05		15	9277	99.53	83	1.25		17	8138	87.31	81	1.40		20	6938	74.43	80	1.60		21	6540	70.16	79	1.75		23	5962	63.96	79	1.90		26	5197	55.76	79	2.20		30	4573	49.06	79	2.50		35			3887	41.70	79	3.00				16	8669	93.00			44	0.85	GFA107	4P	13				13035	114.16	78	0.85	16				8261	88.63	45	0.90	GFAF107	17			7874	84.47	46	0.95	GF107	19	6986	74.95	48	1.05	GFF107	21	6339	68.01	50	1.15		25	5449	58.46	50	1.35	GFA107	4P	15	11364		99.53	78	1.00	29	4756	51.02		49	1.55	GFAF107	34	4034	43.28	48	1.80	GF107	39	3517	37.73	47	2.10	GFF107	46	2981	31.98	46	2.50		20	8558	74.95	44	0.85	GFA107	4P	17		9999	87.57	77	1.15	22	7765		68.01	46	0.95	GFAF107	25	6675	58.46	46	1.10	GF107	29	5825	51.02	46	1.25	GFF107																																																																																																																																																																																																							
8.1	16761	119.47	94	0.95	GFAF157	6P	8.4	20034	175.46	84	0.85	GFA157 GFAF157 GF157 GFF157	4P																																																																																																																																																																																																																																																																																																																																																																																																																																																																																																																																																																															
9.0	15124	107.80	100	1.10	GF157		10	13518	96.35	104	1.25				GFF157	12	11563	82.42	107				1.40		6.7		20183		216.53	84	0.85	GFA157 GFAF157 GF157 GFF157		4P		9.1	18521	162.21	90	0.90	8.3	16355	175.46	97	1.05		9.0	15120	162.21	100			1.15				10	13223			141.86	105	1.30		12	11136	119.47	108	1.45				14	10048	107.80	11			1.70		15			8981	96.35	110	1.90		18			7682	82.42	108	2.10		19	7102	76.19	106	2.30		22	6211	66.63	10	2.70				26			5312	56.99	100	3.00				9.7	13964	99.53	81	0.80			GFA127	6P	10	16197	141.86	98	1.05	11	12286	87.57	84	0.95	GFAF127	13	10442	74.43	84	1.10	GF127	14	9843	70.16	83	1.15		GFF127	15	8973	63.96		82	1.25		12	11821	126.82	85	1.00	GFA127 GFAF127 GF127 GFF127	4P	12	13641	119.47	103	1.20	13	10641	114.16	84	1.05		15	9277	99.53	83	1.25		17	8138	87.31	81			1.40				20	6938	74.43	80	1.60				21	6540	70.16	79	1.75		23	5962	63.96	79	1.90		26	5197	55.76	79	2.20		30	4573	49.06	79	2.50		35	3887	41.70	79	3.00		16	8669	93.00	44	0.85	GFA107	4P	13	13035	114.16	78	0.85	16	8261	88.63	45			0.90	GFAF107	17	7874			84.47	46	0.95	GF107			19	6986	74.95		48				1.05	GFF107	21	6339	68.01	50	1.15		25	5449	58.46	50	1.35	GFA107	4P	15	11364	99.53	78	1.00	29	4756	51.02	49	1.55	GFAF107	34	4034	43.28	48	1.80	GF107	39	3517	37.73	47	2.10	GFF107	46		2981	31.98		46	2.50		20	8558	74.95	44	0.85	GFA107	4P	17	9999	87.57	77	1.15	22	7765	68.01	46	0.95	GFAF107	25	6675	58.46	46	1.10	GF107	29	5825	51.02	46	1.25	GFF107																																																																																																																																																																																																																																		
10	13518	96.35	104	1.25	GFF157		12	11563	82.42	107	1.40					6.7	20183	216.53	84	0.85			GFA157 GFAF157 GF157 GFF157	4P	9.1		18521		162.21	90	0.90					8.3	16355	175.46	97	1.05		9.0	15120	162.21	100	1.15		10	13223	141.86			105			1.30		12			11136	119.47	108	1.45		14	10048	107.80	11	1.70				15	8981	96.35			110	1.90				18	7682	82.42	108	2.10		19	7102	76.19	106	2.30		22	6211	66.63	10	2.70		26	5312	56.99	100	3.00				9.7	13964			99.53	81	0.80	GFA127			6P	10	16197	141.86	98	1.05	11	12286	87.57		84	0.95	GFAF127	13	10442	74.43	84	1.10	GF127	14	9843	70.16	83	1.15	GFF127	15	8973	63.96	82	1.25		12		11821	126.82	85	1.00	GFA127 GFAF127 GF127 GFF127	4P	12	13641	119.47	103	1.20	13	10641			114.16	84	1.05		15	9277	99.53	83	1.25		17	8138	87.31	81	1.40		20	6938	74.43	80	1.60				21			6540	70.16	79	1.75				23	5962	63.96	79	1.90		26	5197	55.76	79	2.20		30	4573	49.06	79	2.50		35	3887	41.70	79	3.00		16	8669	93.00	44	0.85	GFA107	4P	13	13035	114.16	78	0.85	16		8261	88.63	45	0.90	GFAF107	17	7874	84.47	46			0.95	GF107	19	6986			74.95	48	1.05	GFF107			21	6339	68.01		50	1.15		25	5449	58.46	50	1.35	GFA107	4P	15	11364	99.53	78	1.00	29	4756	51.02		49	1.55	GFAF107	34	4034	43.28	48	1.80	GF107	39	3517	37.73	47	2.10	GFF107	46	2981	31.98	46	2.50		20	8558	74.95		44	0.85	GFA107	4P	17	9999	87.57	77	1.15	22	7765	68.01		46	0.95	GFAF107	25	6675	58.46	46	1.10	GF107	29	5825	51.02	46	1.25	GFF107																																																																																																																																																																																																																																										
12	11563	82.42	107	1.40			6.7	20183	216.53	84	0.85			GFA157 GFAF157 GF157 GFF157	4P	9.1	18521	162.21	90	0.90					8.3		16355		175.46	97	1.05						9.0	15120	162.21	100	1.15		10	13223	141.86	105	1.30		12	11136			119.47			108	1.45				14	10048	107.80	11	1.70		15	8981	96.35	110			1.90		18	7682			82.42	108	2.10		19	7102	76.19	106	2.30		22	6211	66.63	10	2.70		26	5312	56.99	100	3.00		9.7	13964	99.53	81	0.80	GFA127	6P			10	16197			141.86	98	1.05	11	12286	87.57		84	0.95	GFAF127	13	10442	74.43	84	1.10		GF127	14	9843	70.16	83	1.15	GFF127	15	8973	63.96	82	1.25		12	11821	126.82	85	1.00	GFA127 GFAF127 GF127 GFF127	4P	12	13641	119.47	103	1.20	13	10641			114.16	84	1.05		15	9277	99.53			83	1.25		17	8138	87.31	81	1.40		20	6938	74.43	80	1.60		21	6540	70.16	79	1.75				23	5962			63.96	79	1.90		26			5197	55.76	79	2.20		30	4573	49.06	79	2.50		35	3887	41.70	79	3.00		16	8669	93.00	44	0.85	GFA107	4P	13	13035	114.16	78	0.85	16		8261	88.63	45	0.90	GFAF107	17		7874	84.47	46	0.95	GF107	19	6986	74.95	48			1.05	GFF107	21	6339			68.01	50	1.15		25	5449	58.46	50	1.35	GFA107	4P	15	11364	99.53	78	1.00	29	4756	51.02		49	1.55	GFAF107	34	4034	43.28	48	1.80		GF107	39	3517	37.73	47	2.10	GFF107	46	2981	31.98	46	2.50		20	8558	74.95	44	0.85	GFA107	4P	17	9999	87.57	77	1.15	22	7765	68.01		46	0.95	GFAF107	25	6675	58.46	46	1.10		GF107	29	5825	51.02	46	1.25	GFF107																																																																																																																																																																																																																																																		
6.7	20183	216.53	84	0.85	GFA157 GFAF157 GF157 GFF157	4P	9.1	18521	162.21	90	0.90					8.3	16355	175.46	97	1.05							9.0		15120	162.21	100					1.15		10	13223	141.86	105	1.30		12	11136	119.47	108	1.45		14			10048			107.80	11	1.70				15	8981	96.35	110	1.90		18	7682	82.42			108	2.10		19	7102	76.19	106	2.30		22	6211	66.63	10	2.70		26	5312	56.99	100	3.00		9.7	13964	99.53	81	0.80	GFA127	6P	10	16197	141.86	98	1.05	11				12286	87.57	84	0.95	GFAF127	13	10442	74.43	84	1.10		GF127	14	9843	70.16	83	1.15	GFF127	15		8973	63.96	82	1.25		12	11821	126.82	85	1.00	GFA127 GFAF127 GF127 GFF127	4P	12	13641	119.47	103	1.20	13			10641	114.16	84	1.05		15	9277			99.53	83	1.25		17	8138	87.31			81	1.40		20	6938	74.43	80	1.60		21	6540	70.16	79	1.75		23	5962	63.96	79	1.90				26	5197			55.76	79	2.20		30			4573	49.06	79	2.50		35	3887	41.70	79	3.00		16	8669	93.00	44	0.85	GFA107	4P	13	13035	114.16	78	0.85		16	8261	88.63	45	0.90	GFAF107		17	7874	84.47	46	0.95	GF107		19	6986	74.95	48	1.05	GFF107	21	6339	68.01			50	1.15		25	5449	58.46	50	1.35	GFA107	4P	15	11364	99.53	78	1.00	29		4756	51.02	49	1.55	GFAF107	34	4034	43.28		48	1.80	GF107	39	3517	37.73	47	2.10		GFF107	46	2981	31.98	46	2.50		20	8558	74.95	44	0.85	GFA107	4P	17	9999	87.57	77	1.15		22	7765	68.01	46	0.95	GFAF107	25	6675		58.46	46	1.10	GF107	29	5825	51.02	46		1.25	GFF107																																																																																																																																																																																																																																																							
8.3	16355	175.46	97	1.05				9.0	15120	162.21	100					1.15		10	13223	141.86					105		1.30			12	11136					119.47	108	1.45		14	10048	107.80	11	1.70		15	8981	96.35	110	1.90						18	7682	82.42			108	2.10		19	7102	76.19	106	2.30		22	6211	66.63	10	2.70		26	5312	56.99	100	3.00		9.7	13964	99.53	81	0.80	GFA127	6P	10	16197	141.86	98	1.05	11	12286	87.57	84	0.95	GFAF127		13	10442	74.43	84	1.10	GF127		14	9843	70.16	83	1.15	GFF127	15	8973	63.96	82	1.25			12	11821	126.82	85	1.00	GFA127 GFAF127 GF127 GFF127	4P	12	13641	119.47	103	1.20	13	10641	114.16	84	1.05		15			9277	99.53	83	1.25		17			8138	87.31	81	1.40		20	6938			74.43	80	1.60		21	6540	70.16			79	1.75		23	5962	63.96	79	1.90		26	5197	55.76	79	2.20		30	4573	49.06	79	2.50				35	3887			41.70	79	3.00		16			8669	93.00	44	0.85	GFA107	4P	13	13035	114.16	78	0.85	16	8261	88.63	45	0.90	GFAF107		17	7874	84.47	46	0.95		GF107	19	6986	74.95	48	1.05		GFF107	21	6339	68.01	50	1.15		25	5449	58.46	50	1.35	GFA107	4P	15	11364	99.53	78	1.00	29	4756	51.02	49	1.55	GFAF107	34	4034		43.28	48	1.80	GF107	39	3517		37.73	47	2.10	GFF107	46	2981	31.98	46		2.50		20	8558	74.95	44	0.85	GFA107	4P	17	9999	87.57	77	1.15	22	7765	68.01	46	0.95	GFAF107	25	6675		58.46	46	1.10	GF107	29		5825	51.02	46	1.25	GFF107																																																																																																																																																																																																																																																																						
9.0	15120	162.21	100	1.15				10	13223	141.86	105					1.30		12	11136	119.47					108		1.45			14	10048					107.80	11	1.70		15	8981	96.35	110	1.90		18	7682	82.42	108	2.10						19	7102	76.19			106	2.30		22	6211	66.63	10	2.70		26	5312	56.99	100	3.00		9.7	13964	99.53	81	0.80	GFA127	6P	10	16197	141.86	98	1.05		11	12286	87.57	84	0.95	GFAF127	13	10442	74.43	84	1.10		GF127	14	9843	70.16	83	1.15		GFF127	15	8973	63.96	82	1.25		12	11821	126.82	85	1.00	GFA127 GFAF127 GF127 GFF127	4P	12	13641	119.47	103			1.20	13	10641	114.16	84	1.05		15	9277	99.53	83	1.25				17	8138	87.31	81	1.40				20	6938	74.43	80	1.60				21	6540	70.16	79	1.75		23			5962	63.96	79	1.90		26	5197	55.76	79	2.20		30	4573	49.06	79	2.50		35	3887	41.70	79			3.00				16	8669	93.00	44	0.85			GFA107	4P	13	13035	114.16		78	0.85	16	8261	88.63	45	0.90	GFAF107	17	7874	84.47		46	0.95	GF107	19	6986		74.95	48	1.05	GFF107	21	6339	68.01	50	1.15		25	5449	58.46	50	1.35	GFA107	4P	15	11364	99.53		78	1.00	29	4756	51.02	49	1.55	GFAF107	34	4034	43.28	48	1.80		GF107	39	3517	37.73	47	2.10		GFF107	46	2981	31.98	46	2.50		20	8558	74.95	44	0.85	GFA107	4P	17	9999	87.57		77	1.15	22	7765	68.01	46	0.95	GFAF107	25	6675	58.46	46	1.10		GF107	29	5825	51.02	46		1.25	GFF107																																																																																																																																																																																																																																																																									
10	13223	141.86	105	1.30				12	11136	119.47	108					1.45		14	10048	107.80					11		1.70			15	8981					96.35	110	1.90		18	7682	82.42	108	2.10		19	7102	76.19	106	2.30						22	6211	66.63			10	2.70		26	5312	56.99	100	3.00		9.7	13964	99.53	81	0.80	GFA127	6P	10	16197	141.86	98	1.05		11	12286	87.57	84	0.95		GFAF127	13	10442	74.43	84	1.10	GF127	14	9843	70.16	83		1.15	GFF127	15	8973	63.96	82	1.25		12	11821	126.82	85	1.00	GFA127 GFAF127 GF127 GFF127	4P	12	13641	119.47	103			1.20	13	10641	114.16			84	1.05		15	9277	99.53	83	1.25		17	8138	87.31			81	1.40		20	6938	74.43			80	1.60		21	6540	70.16	79			1.75		23	5962	63.96	79	1.90				26	5197	55.76	79	2.20		30	4573	49.06	79	2.50		35	3887	41.70	79	3.00		16	8669			93.00	44			0.85	GFA107	4P	13	13035			114.16		78	0.85	16		8261	88.63	45	0.90	GFAF107	17	7874	84.47	46	0.95	GF107		19	6986	74.95	48	1.05	GFF107	21	6339	68.01	50	1.15		25	5449	58.46	50	1.35	GFA107	4P	15	11364	99.53		78	1.00	29		4756	51.02	49	1.55	GFAF107	34	4034	43.28	48	1.80	GF107	39	3517		37.73	47	2.10	GFF107	46	2981	31.98	46	2.50		20	8558	74.95	44	0.85	GFA107	4P	17	9999	87.57		77	1.15	22		7765	68.01	46	0.95	GFAF107	25	6675	58.46	46	1.10	GF107	29	5825		51.02	46	1.25	GFF107																																																																																																																																																																																																																																																																													
12	11136	119.47	108	1.45				14	10048	107.80	11					1.70		15	8981	96.35					110		1.90			18	7682		82.42		108	2.10		19	7102	76.19	106	2.30		22	6211	66.63	10	2.70		26			5312			56.99	100	3.00		9.7	13964	99.53	81	0.80	GFA127	6P	10	16197	141.86	98	1.05	11	12286	87.57	84		0.95	GFAF127	13	10442	74.43		84	1.10	GF127	14	9843		70.16	83	1.15	GFF127	15	8973	63.96	82	1.25		12	11821	126.82	85	1.00	GFA127 GFAF127 GF127 GFF127	4P	12	13641	119.47	103	1.20	13	10641	114.16			84	1.05		15			9277	99.53	83	1.25				17	8138	87.31	81	1.40		20	6938	74.43	80	1.60				21	6540	70.16	79	1.75				23	5962	63.96	79	1.90				26	5197	55.76	79	2.20		30			4573	49.06	79	2.50		35	3887	41.70	79	3.00		16	8669	93.00	44	0.85	GFA107	4P	13	13035	114.16			78	0.85			16	8261		88.63	45	0.90	GFAF107	17		7874	84.47	46		0.95	GF107	19	6986	74.95	48	1.05	GFF107	21	6339	68.01	50	1.15		25	5449	58.46	50	1.35	GFA107	4P	15	11364	99.53	78	1.00	29	4756	51.02	49		1.55	GFAF107	34		4034	43.28	48		1.80	GF107	39	3517	37.73	47	2.10	GFF107	46	2981	31.98	46	2.50		20	8558	74.95	44	0.85	GFA107	4P	17	9999	87.57	77	1.15	22	7765	68.01	46		0.95	GFAF107	25		6675	58.46	46		1.10	GF107	29	5825	51.02	46	1.25	GFF107																																																																																																																																																																																																																																																																																							
14	10048	107.80	11	1.70				15	8981	96.35	110					1.90		18	7682	82.42					108	2.10		19	7102	76.19	106		2.30			22	6211	66.63	10	2.70		26	5312	56.99	100	3.00		9.7	13964	99.53			81	0.80	GFA127	6P	10	16197	141.86	98	1.05	11	12286	87.57	84		0.95	GFAF127	13	10442	74.43	84	1.10	GF127	14		9843	70.16	83	1.15	GFF127		15	8973	63.96	82	1.25		12	11821	126.82	85	1.00	GFA127 GFAF127 GF127 GFF127	4P	12	13641	119.47	103	1.20	13	10641	114.16			84	1.05		15	9277	99.53	83	1.25				17	8138	87.31			81	1.40		20			6938	74.43	80	1.60		21	6540	70.16	79	1.75		23			5962	63.96	79	1.90		26			5197	55.76	79	2.20		30	4573			49.06	79	2.50		35	3887	41.70			79	3.00		16	8669	93.00	44	0.85	GFA107	4P	13	13035	114.16	78	0.85	16	8261		88.63	45	0.90			GFAF107	17	7874	84.47	46	0.95		GF107	19	6986	74.95	48		1.05	GFF107	21	6339	68.01	50	1.15		25	5449	58.46	50	1.35	GFA107	4P	15	11364	99.53	78	1.00	29	4756	51.02	49		1.55	GFAF107	34	4034	43.28	48	1.80	GF107	39		3517	37.73	47		2.10	GFF107	46	2981	31.98	46	2.50		20	8558	74.95	44	0.85	GFA107	4P	17	9999	87.57	77	1.15	22	7765	68.01	46		0.95	GFAF107	25	6675	58.46	46	1.10	GF107	29		5825	51.02	46		1.25	GFF107																																																																																																																																																																																																																																																																																																	
15	8981	96.35	110	1.90				18	7682	82.42	108					2.10		19	7102	76.19	106	2.30				22	6211	66.63	10	2.70			26		5312	56.99	100	3.00		9.7	13964	99.53	81	0.80	GFA127	6P	10	16197	141.86	98	1.05	11	12286	87.57	84		0.95	GFAF127	13	10442	74.43	84	1.10	GF127	14		9843	70.16	83	1.15	GFF127	15	8973	63.96	82		1.25		12	11821	126.82	85	1.00	GFA127 GFAF127 GF127 GFF127	4P	12	13641	119.47	103	1.20	13	10641	114.16			84	1.05		15	9277	99.53	83	1.25				17	8138	87.31	81	1.40		20			6938	74.43	80	1.60				21	6540	70.16			79	1.75		23	5962	63.96	79	1.90		26	5197	55.76			79	2.20		30	4573	49.06			79	2.50		35	3887	41.70	79			3.00		16	8669	93.00	44	0.85			GFA107	4P	13	13035	114.16	78	0.85	16	8261		88.63	45	0.90	GFAF107	17	7874	84.47		46	0.95	GF107	19	6986	74.95	48	1.05	GFF107	21	6339		68.01	50	1.15		25	5449	58.46	50	1.35	GFA107	4P	15	11364	99.53	78	1.00	29	4756	51.02	49		1.55	GFAF107	34	4034	43.28	48	1.80	GF107	39		3517	37.73	47	2.10	GFF107	46	2981	31.98	46		2.50		20	8558	74.95	44	0.85	GFA107	4P	17	9999	87.57	77	1.15	22	7765	68.01	46		0.95	GFAF107	25	6675	58.46	46	1.10	GF107	29		5825	51.02	46	1.25	GFF107																																																																																																																																																																																																																																																																																																												
18	7682	82.42	108	2.10				19	7102	76.19	106	2.30				22	6211	66.63	10	2.70		26			5312	56.99	100	3.00		9.7	13964		99.53		81	0.80	GFA127	6P	10	16197	141.86	98	1.05	11	12286		87.57	84	0.95	GFAF127	13	10442	74.43	84	1.10		GF127	14	9843	70.16	83	1.15	GFF127	15	8973		63.96	82	1.25		12	11821	126.82	85	1.00	GFA127 GFAF127 GF127 GFF127	4P	12	13641	119.47	103	1.20	13			10641	114.16	84	1.05		15	9277	99.53			83	1.25		17	8138	87.31	81	1.40				20	6938	74.43	80	1.60		21			6540	70.16	79	1.75				23	5962	63.96			79	1.90		26	5197	55.76	79	2.20		30	4573	49.06			79	2.50		35	3887	41.70			79	3.00		16	8669	93.00	44			0.85	GFA107	4P	13	13035	114.16	78			0.85		16	8261	88.63	45	0.90	GFAF107	17		7874	84.47	46	0.95	GF107	19	6986		74.95	48	1.05	GFF107	21	6339	68.01	50	1.15		25	5449	58.46	50	1.35	GFA107	4P	15	11364	99.53	78	1.00		29	4756	51.02	49	1.55	GFAF107	34	4034	43.28		48	1.80	GF107	39	3517	37.73	47	2.10	GFF107		46	2981	31.98	46	2.50		20	8558	74.95	44	0.85	GFA107	4P	17	9999	87.57	77	1.15		22	7765	68.01	46	0.95	GFAF107	25	6675	58.46		46	1.10	GF107	29	5825	51.02	46	1.25	GFF107																																																																																																																																																																																																																																																																																																																		
19	7102	76.19	106	2.30				22	6211	66.63	10	2.70				26	5312	56.99	100	3.00		9.7			13964	99.53	81	0.80	GFA127	6P	10	16197	141.86	98	1.05	11	12286		87.57	84	0.95	GFAF127	13	10442	74.43		84	1.10	GF127	14	9843	70.16	83	1.15	GFF127		15	8973	63.96	82	1.25		12	11821	126.82	85	1.00	GFA127 GFAF127 GF127 GFF127	4P	12	13641	119.47	103	1.20	13			10641	114.16	84	1.05		15			9277	99.53	83	1.25		17	8138	87.31			81	1.40		20	6938	74.43	80	1.60				21	6540	70.16	79	1.75		23			5962	63.96	79	1.90				26	5197	55.76			79	2.20		30	4573	49.06	79	2.50		35	3887	41.70			79	3.00		16	8669	93.00			44	0.85	GFA107	4P	13	13035	114.16			78	0.85		16	8261	88.63	45	0.90	GFAF107	17		7874	84.47	46	0.95	GF107	19	6986		74.95	48	1.05	GFF107	21	6339	68.01	50	1.15		25	5449	58.46	50	1.35	GFA107	4P	15	11364	99.53	78	1.00	29	4756		51.02	49	1.55	GFAF107	34		4034	43.28	48	1.80	GF107	39	3517	37.73	47		2.10	GFF107	46	2981	31.98	46	2.50		20	8558	74.95	44	0.85	GFA107	4P	17	9999	87.57	77	1.15	22	7765		68.01	46	0.95	GFAF107	25		6675	58.46	46	1.10	GF107	29	5825	51.02	46		1.25	GFF107																																																																																																																																																																																																																																																																																																																									
22	6211	66.63	10	2.70				26	5312	56.99	100	3.00				9.7	13964	99.53	81	0.80	GFA127	6P	10	16197	141.86	98	1.05	11	12286		87.57	84	0.95	GFAF127	13	10442	74.43		84	1.10	GF127	14	9843	70.16	83		1.15	GFF127	15	8973	63.96	82	1.25		12	11821	126.82	85	1.00	GFA127 GFAF127 GF127 GFF127	4P	12	13641	119.47	103	1.20	13			10641	114.16	84	1.05		15			9277	99.53	83	1.25		17			8138	87.31	81	1.40		20	6938	74.43			80	1.60		21	6540	70.16	79	1.75				23	5962	63.96	79	1.90		26			5197	55.76	79	2.20				30	4573	49.06			79	2.50		35	3887	41.70	79	3.00		16	8669	93.00			44	0.85	GFA107	4P	13	13035			114.16	78	0.85		16	8261	88.63	45	0.90	GFAF107	17		7874	84.47	46	0.95	GF107	19	6986		74.95	48	1.05	GFF107	21	6339	68.01	50	1.15		25	5449	58.46	50	1.35	GFA107	4P	15	11364	99.53	78	1.00	29	4756		51.02	49	1.55	GFAF107	34	4034	43.28		48	1.80	GF107	39	3517		37.73	47	2.10	GFF107	46	2981	31.98	46	2.50		20	8558	74.95	44	0.85	GFA107	4P	17	9999	87.57	77	1.15	22	7765		68.01	46	0.95	GFAF107	25	6675	58.46		46	1.10	GF107	29	5825		51.02	46	1.25	GFF107																																																																																																																																																																																																																																																																																																																																	
26	5312	56.99	100	3.00				9.7	13964	99.53	81	0.80	GFA127	6P	10	16197	141.86	98	1.05	11	12286		87.57	84	0.95	GFAF127	13	10442	74.43		84	1.10	GF127	14	9843	70.16	83		1.15	GFF127	15	8973	63.96	82	1.25		12	11821	126.82	85	1.00	GFA127 GFAF127 GF127 GFF127	4P	12	13641	119.47	103	1.20	13			10641	114.16	84	1.05		15			9277	99.53	83	1.25		17			8138	87.31	81	1.40		20			6938	74.43	80	1.60		21	6540	70.16			79	1.75		23	5962	63.96	79	1.90				26	5197	55.76	79	2.20		30			4573	49.06	79	2.50				35	3887	41.70			79	3.00		16	8669	93.00	44	0.85	GFA107	4P	13	13035			114.16	78	0.85		16	8261	88.63	45	0.90	GFAF107	17		7874	84.47	46	0.95	GF107	19	6986		74.95	48	1.05	GFF107	21	6339	68.01	50	1.15		25	5449	58.46	50	1.35	GFA107	4P	15	11364	99.53	78	1.00	29	4756		51.02	49	1.55	GFAF107	34	4034	43.28		48	1.80	GF107	39	3517	37.73	47		2.10	GFF107	46	2981	31.98	46	2.50		20	8558	74.95	44	0.85	GFA107	4P	17	9999	87.57	77	1.15	22	7765		68.01	46	0.95	GFAF107	25	6675	58.46		46	1.10	GF107	29	5825	51.02	46		1.25	GFF107																																																																																																																																																																																																																																																																																																																																									
9.7	13964	99.53	81	0.80	GFA127	6P	10	16197	141.86	98	1.05	11	12286		87.57	84	0.95	GFAF127	13	10442	74.43		84	1.10	GF127	14	9843	70.16	83		1.15	GFF127	15	8973	63.96	82	1.25		12	11821	126.82	85	1.00	GFA127 GFAF127 GF127 GFF127	4P	12	13641	119.47	103	1.20	13			10641	114.16	84	1.05		15			9277	99.53	83	1.25		17			8138	87.31	81	1.40		20			6938	74.43	80	1.60		21			6540	70.16	79	1.75		23	5962	63.96			79	1.90		26	5197	55.76	79	2.20				30	4573	49.06	79	2.50		35			3887	41.70	79	3.00				16	8669	93.00			44	0.85	GFA107	4P	13	13035	114.16	78	0.85		16	8261	88.63	45	0.90	GFAF107	17		7874	84.47	46	0.95	GF107	19	6986		74.95	48	1.05	GFF107	21	6339	68.01	50	1.15		25	5449	58.46	50	1.35	GFA107	4P	15	11364	99.53	78	1.00	29	4756		51.02	49	1.55	GFAF107	34	4034	43.28		48	1.80	GF107	39	3517	37.73	47		2.10	GFF107	46	2981	31.98	46	2.50		20	8558	74.95	44	0.85	GFA107	4P	17	9999	87.57	77	1.15	22	7765		68.01	46	0.95	GFAF107	25	6675	58.46		46	1.10	GF107	29	5825	51.02	46		1.25	GFF107																																																																																																																																																																																																																																																																																																																																																	
11	12286	87.57	84	0.95	GFAF127		13	10442	74.43	84	1.10	GF127	14		9843	70.16	83	1.15	GFF127	15	8973		63.96	82	1.25		12	11821	126.82	85	1.00	GFA127 GFAF127 GF127 GFF127	4P	12	13641	119.47	103	1.20	13	10641	114.16	84	1.05				15	9277	99.53	83	1.25				17	8138	87.31	81	1.40				20	6938	74.43	80	1.60				21	6540	70.16	79	1.75				23	5962	63.96	79	1.90				26	5197	55.76	79	2.20		30			4573	49.06	79	2.50		35	3887	41.70			79	3.00		16	8669	93.00	44	0.85			GFA107	4P	13	13035			114.16	78	0.85	16	8261	88.63	45	0.90	GFAF107		17	7874	84.47	46	0.95		GF107	19	6986	74.95	48	1.05	GFF107		21	6339	68.01	50	1.15		25	5449	58.46	50	1.35	GFA107	4P	15	11364	99.53	78	1.00	29	4756	51.02	49	1.55	GFAF107		34	4034	43.28	48	1.80	GF107	39		3517	37.73	47	2.10	GFF107	46	2981		31.98	46	2.50		20	8558	74.95	44	0.85	GFA107	4P	17	9999	87.57	77	1.15	22	7765	68.01	46	0.95	GFAF107		25	6675	58.46	46	1.10	GF107	29		5825	51.02	46	1.25	GFF107																																																																																																																																																																																																																																																																																																																																																														
13	10442	74.43	84	1.10	GF127		14	9843	70.16	83	1.15	GFF127	15		8973	63.96	82	1.25		12	11821	126.82	85	1.00	GFA127 GFAF127 GF127 GFF127	4P	12	13641	119.47	103	1.20			13	10641	114.16	84	1.05		15	9277	99.53	83			1.25		17	8138	87.31	81			1.40		20	6938	74.43	80			1.60		21	6540	70.16	79			1.75		23	5962	63.96	79			1.90		26	5197	55.76	79			2.20		30	4573	49.06	79	2.50				35	3887	41.70	79	3.00		16	8669			93.00	44	0.85	GFA107	4P	13	13035	114.16			78		0.85	16	8261	88.63	45	0.90	GFAF107	17	7874	84.47	46	0.95	GF107		19	6986	74.95	48	1.05		GFF107	21	6339	68.01	50	1.15		25	5449	58.46	50	1.35	GFA107	4P	15	11364	99.53	78	1.00	29		4756	51.02	49	1.55	GFAF107	34	4034	43.28	48	1.80	GF107		39	3517	37.73	47	2.10	GFF107	46		2981	31.98	46	2.50		20	8558	74.95	44	0.85	GFA107	4P	17	9999	87.57	77	1.15	22		7765	68.01	46	0.95	GFAF107	25	6675	58.46	46	1.10	GF107		29	5825	51.02	46	1.25	GFF107																																																																																																																																																																																																																																																																																																																																																																					
14	9843	70.16	83	1.15	GFF127		15	8973	63.96	82	1.25		12	11821	126.82	85	1.00	GFA127 GFAF127 GF127 GFF127	4P	12	13641	119.47	103	1.20			13	10641	114.16	84	1.05				15	9277	99.53	83	1.25		17	8138	87.31			81	1.40		20	6938	74.43			80	1.60		21	6540	70.16			79	1.75		23	5962	63.96			79	1.90		26	5197	55.76			79	2.20		30	4573	49.06			79	2.50		35	3887	41.70	79	3.00				16	8669	93.00	44	0.85	GFA107	4P			13	13035	114.16	78		0.85	16	8261	88.63	45	0.90		GFAF107	17	7874	84.47	46	0.95	GF107	19	6986	74.95	48	1.05	GFF107		21	6339	68.01	50	1.15		25	5449	58.46	50	1.35	GFA107	4P	15	11364	99.53	78	1.00	29		4756	51.02	49	1.55	GFAF107	34		4034	43.28	48	1.80	GF107	39	3517	37.73	47	2.10	GFF107		46	2981	31.98	46	2.50		20	8558	74.95	44	0.85	GFA107	4P	17	9999	87.57	77	1.15	22		7765	68.01	46	0.95	GFAF107	25		6675	58.46	46	1.10	GF107	29	5825	51.02	46	1.25	GFF107																																																																																																																																																																																																																																																																																																																																																																												
15	8973	63.96	82	1.25		12	11821	126.82	85	1.00	GFA127 GFAF127 GF127 GFF127	4P	12	13641	119.47	103	1.20			13	10641	114.16	84	1.05				15	9277	99.53	83			1.25		17	8138	87.31	81	1.40		20	6938			74.43	80	1.60		21	6540			70.16	79	1.75		23	5962			63.96	79	1.90		26	5197			55.76	79	2.20		30	4573			49.06	79	2.50		35	3887			41.70	79	3.00		16	8669	93.00	44			0.85	GFA107	4P	13	13035	114.16	78		0.85	16	8261	88.63	45	0.90		GFAF107	17	7874	84.47	46	0.95		GF107	19	6986	74.95	48	1.05	GFF107	21	6339	68.01	50	1.15		25	5449	58.46	50	1.35	GFA107	4P	15	11364	99.53	78	1.00	29		4756	51.02	49	1.55	GFAF107	34		4034	43.28	48	1.80	GF107	39		3517	37.73	47	2.10	GFF107	46	2981	31.98	46	2.50		20	8558	74.95	44	0.85	GFA107	4P	17	9999	87.57	77	1.15	22		7765	68.01	46	0.95	GFAF107	25		6675	58.46	46	1.10	GF107	29		5825	51.02	46	1.25	GFF107																																																																																																																																																																																																																																																																																																																																																																																		
12	11821	126.82	85	1.00	GFA127 GFAF127 GF127 GFF127	4P	12	13641	119.47	103			1.20	13	10641	114.16	84			1.05		15	9277	99.53			83	1.25		17	8138			87.31	81	1.40		20	6938	74.43	80	1.60				21	6540	70.16	79	1.75				23	5962	63.96	79	1.90				26	5197	55.76	79	2.20				30	4573	49.06	79	2.50				35	3887	41.70	79	3.00				16	8669	93.00	44	0.85	GFA107	4P	13	13035	114.16	78	0.85		16	8261	88.63	45		0.90	GFAF107	17	7874	84.47	46		0.95	GF107	19	6986	74.95	48	1.05	GFF107	21	6339	68.01	50	1.15		25	5449	58.46	50	1.35	GFA107	4P	15	11364	99.53	78	1.00		29	4756	51.02	49	1.55	GFAF107		34	4034	43.28	48	1.80	GF107		39	3517	37.73	47	2.10	GFF107	46	2981	31.98	46	2.50		20	8558	74.95	44	0.85	GFA107	4P	17	9999	87.57	77	1.15		22	7765	68.01	46	0.95	GFAF107		25	6675	58.46	46	1.10	GF107		29	5825	51.02	46	1.25	GFF107																																																																																																																																																																																																																																																																																																																																																																																								
13	10641	114.16	84	1.05				15	9277	99.53			83	1.25		17	8138			87.31	81	1.40		20			6938	74.43	80	1.60				21	6540	70.16	79	1.75		23	5962	63.96	79			1.90		26	5197	55.76	79			2.20		30	4573	49.06	79			2.50		35	3887	41.70	79			3.00		16	8669	93.00	44			0.85	GFA107	4P	13	13035	114.16	78	0.85	16	8261	88.63	45	0.90	GFAF107		17	7874	84.47	46	0.95		GF107	19	6986	74.95		48	1.05	GFF107	21	6339	68.01	50	1.15		25	5449	58.46	50	1.35	GFA107	4P	15	11364	99.53	78	1.00	29	4756	51.02	49	1.55	GFAF107		34	4034	43.28	48	1.80		GF107	39	3517	37.73	47	2.10		GFF107	46	2981	31.98	46	2.50		20	8558	74.95	44	0.85	GFA107	4P	17	9999	87.57	77	1.15	22	7765	68.01	46	0.95	GFAF107		25	6675	58.46	46	1.10		GF107	29	5825	51.02	46	1.25		GFF107																																																																																																																																																																																																																																																																																																																																																																																																				
15	9277	99.53	83	1.25				17	8138	87.31			81	1.40		20	6938			74.43	80	1.60		21			6540	70.16	79	1.75				23	5962	63.96	79	1.90		26	5197	55.76	79			2.20		30	4573	49.06	79			2.50		35	3887	41.70	79			3.00		16	8669	93.00	44			0.85	GFA107	4P	13	13035	114.16	78	0.85	16	8261		88.63	45	0.90	GFAF107	17	7874	84.47	46	0.95	GF107	19		6986	74.95	48	1.05	GFF107		21	6339	68.01	50	1.15		25	5449	58.46	50	1.35	GFA107	4P	15	11364	99.53	78	1.00	29	4756		51.02	49	1.55	GFAF107	34	4034	43.28	48	1.80	GF107	39		3517	37.73	47	2.10	GFF107		46	2981	31.98	46	2.50		20	8558	74.95	44	0.85	GFA107	4P	17	9999	87.57	77	1.15	22	7765		68.01	46	0.95	GFAF107	25	6675	58.46	46	1.10	GF107	29		5825	51.02	46	1.25	GFF107																																																																																																																																																																																																																																																																																																																																																																																																													
17	8138	87.31	81	1.40				20	6938	74.43			80	1.60		21	6540			70.16	79	1.75		23			5962	63.96	79	1.90				26	5197	55.76	79	2.20		30	4573	49.06	79			2.50		35	3887	41.70	79			3.00		16	8669	93.00	44			0.85	GFA107	4P	13	13035	114.16	78	0.85	16	8261		88.63	45	0.90	GFAF107	17	7874	84.47		46	0.95	GF107	19	6986	74.95	48	1.05	GFF107	21	6339		68.01	50	1.15		25	5449	58.46	50	1.35	GFA107	4P	15	11364	99.53	78	1.00	29	4756		51.02	49	1.55	GFAF107	34	4034	43.28		48	1.80	GF107	39	3517	37.73	47	2.10	GFF107	46	2981		31.98	46	2.50		20	8558	74.95	44	0.85	GFA107	4P	17	9999	87.57	77	1.15	22	7765		68.01	46	0.95	GFAF107	25	6675	58.46		46	1.10	GF107	29	5825	51.02	46	1.25	GFF107																																																																																																																																																																																																																																																																																																																																																																																																																					
20	6938	74.43	80	1.60				21	6540	70.16			79	1.75		23	5962			63.96	79	1.90		26			5197	55.76	79	2.20				30	4573	49.06	79	2.50		35	3887	41.70	79			3.00		16	8669	93.00	44			0.85	GFA107	4P	13	13035	114.16	78	0.85	16	8261		88.63	45	0.90	GFAF107	17	7874	84.47		46	0.95	GF107	19	6986	74.95	48		1.05	GFF107	21	6339	68.01	50	1.15		25	5449	58.46	50	1.35	GFA107	4P	15	11364	99.53	78	1.00	29	4756		51.02	49	1.55	GFAF107	34	4034	43.28		48	1.80	GF107	39	3517	37.73	47		2.10	GFF107	46	2981	31.98	46	2.50		20	8558	74.95	44	0.85	GFA107	4P	17	9999	87.57	77	1.15	22	7765		68.01	46	0.95	GFAF107	25	6675	58.46		46	1.10	GF107	29	5825	51.02	46		1.25	GFF107																																																																																																																																																																																																																																																																																																																																																																																																																												
21	6540	70.16	79	1.75				23	5962	63.96			79	1.90		26	5197			55.76	79	2.20		30			4573	49.06	79	2.50				35	3887	41.70	79	3.00		16	8669	93.00	44			0.85	GFA107	4P	13	13035	114.16	78	0.85	16	8261		88.63	45	0.90	GFAF107	17	7874	84.47		46	0.95	GF107	19	6986	74.95	48		1.05	GFF107	21	6339	68.01	50	1.15		25	5449	58.46	50	1.35	GFA107	4P	15	11364	99.53	78	1.00	29	4756		51.02	49	1.55	GFAF107	34	4034	43.28		48	1.80	GF107	39	3517	37.73	47		2.10	GFF107	46	2981	31.98	46	2.50		20	8558	74.95	44	0.85	GFA107	4P	17	9999	87.57	77	1.15	22	7765		68.01	46	0.95	GFAF107	25	6675	58.46		46	1.10	GF107	29	5825	51.02	46		1.25	GFF107																																																																																																																																																																																																																																																																																																																																																																																																																																				
23	5962	63.96	79	1.90				26	5197	55.76			79	2.20		30	4573			49.06	79	2.50		35			3887	41.70	79	3.00				16	8669	93.00	44	0.85	GFA107	4P	13	13035	114.16	78	0.85	16	8261		88.63	45	0.90	GFAF107	17	7874	84.47		46	0.95	GF107	19	6986	74.95	48		1.05	GFF107	21	6339	68.01	50	1.15		25	5449	58.46	50	1.35	GFA107	4P	15	11364	99.53	78	1.00	29	4756		51.02	49	1.55	GFAF107	34	4034	43.28		48	1.80	GF107	39	3517	37.73	47		2.10	GFF107	46	2981	31.98	46	2.50		20	8558	74.95	44	0.85	GFA107	4P	17	9999	87.57	77	1.15	22	7765		68.01	46	0.95	GFAF107	25	6675	58.46		46	1.10	GF107	29	5825	51.02	46		1.25	GFF107																																																																																																																																																																																																																																																																																																																																																																																																																																												
26	5197	55.76	79	2.20				30	4573	49.06			79	2.50		35	3887			41.70	79	3.00		16			8669	93.00	44	0.85	GFA107	4P	13	13035	114.16	78	0.85	16	8261		88.63	45	0.90	GFAF107	17	7874	84.47		46	0.95	GF107	19	6986	74.95	48		1.05	GFF107	21	6339	68.01	50	1.15		25	5449	58.46	50	1.35	GFA107	4P	15	11364	99.53	78	1.00	29	4756		51.02	49	1.55	GFAF107	34	4034	43.28		48	1.80	GF107	39	3517	37.73	47		2.10	GFF107	46	2981	31.98	46	2.50		20	8558	74.95	44	0.85	GFA107	4P	17	9999	87.57	77	1.15	22	7765		68.01	46	0.95	GFAF107	25	6675	58.46		46	1.10	GF107	29	5825	51.02	46		1.25	GFF107																																																																																																																																																																																																																																																																																																																																																																																																																																																				
30	4573	49.06	79	2.50				35	3887	41.70			79	3.00		16	8669			93.00	44	0.85	GFA107	4P	13	13035	114.16	78	0.85	16	8261		88.63	45	0.90	GFAF107	17	7874	84.47		46	0.95	GF107	19	6986	74.95	48		1.05	GFF107	21	6339	68.01	50	1.15		25	5449	58.46	50	1.35	GFA107	4P	15	11364	99.53	78	1.00	29	4756		51.02	49	1.55	GFAF107	34	4034	43.28		48	1.80	GF107	39	3517	37.73	47		2.10	GFF107	46	2981	31.98	46	2.50		20	8558	74.95	44	0.85	GFA107	4P	17	9999	87.57	77	1.15	22	7765		68.01	46	0.95	GFAF107	25	6675	58.46		46	1.10	GF107	29	5825	51.02	46		1.25	GFF107																																																																																																																																																																																																																																																																																																																																																																																																																																																												
35	3887	41.70	79	3.00				16	8669	93.00			44	0.85	GFA107	4P	13	13035	114.16	78	0.85	16	8261		88.63	45	0.90	GFAF107	17	7874	84.47		46	0.95	GF107	19	6986	74.95	48		1.05	GFF107	21	6339	68.01	50	1.15		25	5449	58.46	50	1.35	GFA107	4P	15	11364	99.53	78	1.00	29	4756		51.02	49	1.55	GFAF107	34	4034	43.28		48	1.80	GF107	39	3517	37.73	47		2.10	GFF107	46	2981	31.98	46	2.50		20	8558	74.95	44	0.85	GFA107	4P	17	9999	87.57	77	1.15	22	7765		68.01	46	0.95	GFAF107	25	6675	58.46		46	1.10	GF107	29	5825	51.02	46		1.25	GFF107																																																																																																																																																																																																																																																																																																																																																																																																																																																																				
16	8669	93.00	44	0.85			GFA107	4P	13	13035	114.16	78	0.85	16	8261		88.63	45	0.90	GFAF107	17	7874	84.47		46	0.95	GF107	19	6986	74.95	48		1.05	GFF107	21	6339	68.01	50	1.15		25	5449	58.46	50	1.35	GFA107	4P	15	11364	99.53	78	1.00	29	4756		51.02	49	1.55	GFAF107	34	4034	43.28		48	1.80	GF107	39	3517	37.73	47		2.10	GFF107	46	2981	31.98	46	2.50		20	8558	74.95	44	0.85	GFA107	4P	17	9999	87.57	77	1.15	22	7765		68.01	46	0.95	GFAF107	25	6675	58.46		46	1.10	GF107	29	5825	51.02	46		1.25	GFF107																																																																																																																																																																																																																																																																																																																																																																																																																																																																												
16	8261	88.63	45	0.90	GFAF107	17	7874		84.47	46	0.95	GF107	19	6986	74.95		48	1.05	GFF107	21	6339	68.01	50		1.15		25	5449	58.46	50	1.35	GFA107	4P	15	11364	99.53	78	1.00	29	4756	51.02	49	1.55	GFAF107	34	4034		43.28	48	1.80	GF107	39	3517	37.73		47	2.10	GFF107	46	2981	31.98	46		2.50		20	8558	74.95	44	0.85	GFA107	4P	17	9999	87.57	77	1.15	22	7765	68.01	46	0.95	GFAF107	25	6675		58.46	46	1.10	GF107	29	5825	51.02		46	1.25	GFF107																																																																																																																																																																																																																																																																																																																																																																																																																																																																																											
17	7874	84.47	46	0.95	GF107	19	6986		74.95	48	1.05	GFF107	21	6339	68.01		50	1.15		25	5449	58.46	50	1.35	GFA107	4P	15	11364	99.53	78	1.00	29		4756	51.02	49	1.55	GFAF107	34	4034	43.28	48	1.80	GF107	39	3517		37.73	47	2.10	GFF107	46	2981	31.98		46	2.50		20	8558	74.95	44	0.85	GFA107	4P	17	9999	87.57	77	1.15	22		7765	68.01	46	0.95	GFAF107	25	6675	58.46	46	1.10	GF107	29	5825		51.02	46	1.25	GFF107																																																																																																																																																																																																																																																																																																																																																																																																																																																																																																		
19	6986	74.95	48	1.05	GFF107	21	6339		68.01	50	1.15		25	5449	58.46	50	1.35	GFA107	4P	15	11364	99.53	78	1.00	29		4756	51.02	49	1.55	GFAF107	34		4034	43.28	48	1.80	GF107	39	3517	37.73	47	2.10	GFF107	46	2981		31.98	46	2.50		20	8558	74.95	44	0.85	GFA107	4P	17	9999	87.57	77	1.15	22		7765	68.01	46	0.95	GFAF107	25		6675	58.46	46	1.10	GF107	29	5825	51.02	46	1.25	GFF107																																																																																																																																																																																																																																																																																																																																																																																																																																																																																																									
21	6339	68.01	50	1.15		25	5449	58.46	50	1.35	GFA107	4P	15	11364	99.53	78	1.00	29		4756	51.02	49	1.55	GFAF107	34		4034	43.28	48	1.80	GF107	39		3517	37.73	47	2.10	GFF107	46	2981	31.98	46	2.50		20	8558	74.95	44	0.85	GFA107	4P	17	9999	87.57	77	1.15	22		7765	68.01	46	0.95	GFAF107	25		6675	58.46	46	1.10	GF107	29		5825	51.02	46	1.25	GFF107																																																																																																																																																																																																																																																																																																																																																																																																																																																																																																															
25	5449	58.46	50	1.35	GFA107	4P	15	11364	99.53	78	1.00		29	4756	51.02	49	1.55	GFAF107		34	4034	43.28	48	1.80	GF107		39	3517	37.73	47	2.10	GFF107	46	2981	31.98	46	2.50		20	8558	74.95	44	0.85	GFA107	4P	17	9999	87.57	77	1.15		22	7765	68.01	46	0.95	GFAF107		25	6675	58.46	46	1.10	GF107		29	5825	51.02	46	1.25	GFF107																																																																																																																																																																																																																																																																																																																																																																																																																																																																																																																					
29	4756	51.02	49	1.55	GFAF107		34	4034	43.28	48	1.80		GF107	39	3517	37.73	47	2.10		GFF107	46	2981	31.98	46	2.50		20	8558	74.95	44	0.85	GFA107	4P	17	9999	87.57	77	1.15	22	7765	68.01	46	0.95	GFAF107		25	6675	58.46	46	1.10		GF107	29	5825	51.02	46	1.25		GFF107																																																																																																																																																																																																																																																																																																																																																																																																																																																																																																																																	
34	4034	43.28	48	1.80	GF107		39	3517	37.73	47	2.10		GFF107	46	2981	31.98	46	2.50		20	8558	74.95	44	0.85	GFA107	4P	17	9999	87.57	77	1.15	22		7765	68.01	46	0.95	GFAF107	25	6675	58.46	46	1.10	GF107		29	5825	51.02	46	1.25		GFF107																																																																																																																																																																																																																																																																																																																																																																																																																																																																																																																																								
39	3517	37.73	47	2.10	GFF107		46	2981	31.98	46	2.50		20	8558	74.95	44	0.85	GFA107	4P	17	9999	87.57	77	1.15	22		7765	68.01	46	0.95	GFAF107	25		6675	58.46	46	1.10	GF107	29	5825	51.02	46	1.25	GFF107																																																																																																																																																																																																																																																																																																																																																																																																																																																																																																																																																
46	2981	31.98	46	2.50		20	8558	74.95	44	0.85	GFA107	4P	17	9999	87.57	77	1.15	22		7765	68.01	46	0.95	GFAF107	25		6675	58.46	46	1.10	GF107	29		5825	51.02	46	1.25	GFF107																																																																																																																																																																																																																																																																																																																																																																																																																																																																																																																																																						
20	8558	74.95	44	0.85	GFA107	4P	17	9999	87.57	77	1.15		22	7765	68.01	46	0.95	GFAF107		25	6675	58.46	46	1.10	GF107		29	5825	51.02	46	1.25	GFF107																																																																																																																																																																																																																																																																																																																																																																																																																																																																																																																																																												
22	7765	68.01	46	0.95	GFAF107		25	6675	58.46	46	1.10		GF107	29	5825	51.02	46	1.25		GFF107																																																																																																																																																																																																																																																																																																																																																																																																																																																																																																																																																																								
25	6675	58.46	46	1.10	GF107		29	5825	51.02	46	1.25		GFF107																																																																																																																																																																																																																																																																																																																																																																																																																																																																																																																																																																															
29	5825	51.02	46	1.25	GFF107																																																																																																																																																																																																																																																																																																																																																																																																																																																																																																																																																																																							

选型参数表
(恒功率)

Selection Table
(Constant Power)

n_a [r/min]	M_a [Nm]	i	F_{ra} [kN]	f_B	机型号 Type size	极数 Pole	n_a [r/min]	M_a [Nm]	i	F_{ra} [kN]	f_B	机型号 Type size	极数 Pole																																																																																																																																																																																																																																																																																																																																																																																																																																																																																																																																																																																																																																																																																																																																																																																																																																																																																																																																				
18.5kW							22kW																																																																																																																																																																																																																																																																																																																																																																																																																																																																																																																																																																																																																																																																																																																																																																																																																																																																																																																																										
34	4942	43.28	45	1.50	GFA107	4P	25	7938	58.46	43	0.90	GFA107	4P																																																																																																																																																																																																																																																																																																																																																																																																																																																																																																																																																																																																																																																																																																																																																																																																																																																																																																																																				
39	4308	37.73	45	1.70	GFAF107		46	3651	31.98	44	2.00	GF107							GFF107	43	3915	34.29	44	1.80	GFA107	4P	39	5123	37.73	43	1.40	GFA107	4P	53	3181	27.86	43	2.40	GFAF107	58	2900	25.40	42	2.60	GF107	66	2528	22.14	41	3.00	GFF107	75	2224	19.48	41	3.40	GFF107									89	1891	16.56	41	4.00			43	4656	34.29	42	1.55			38	4437	38.86	19	0.90	GFA97	4P	53	3783	27.86	41	2.00								GFAF97						GF97						GFF97	45	3711	32.50	20	1.10			58	3449	25.40	41	2.20	GFA107	4P								66	3006	22.14	40	2.50	GFAF107								75	2645	19.48	39	2.80	GF107								89	2248	16.56	38	3.30	GFF107	54	3133	27.44	20	1.30			101	1980	14.58	38	3.70			59	2845	24.92	20	1.45			54	3726	27.44	18	1.10			66	2524	22.11	20	1.60	GFA97	4P	59	3384	24.92	18	1.20			73	2292	20.07	20	1.80	GFAF97	85	1970	17.25	19	2.10	GF97	98	1720	15.06	19	2.40	GFF97	115	1458	12.77	19	2.80			66	3002	22.11	18	1.35	GFA97	4P	132	1274	11.16	18	3.00			73	2725	20.07	18	1.50	GFAF97								85	2342	17.25	18	1.75	GF97								98	2045	15.06	18	2.00	GFF97	69	2434	21.32	10	1.15			115	1734	12.77	18	2.30			76	2205	19.31	11	1.30			132	1515	11.16	17	2.60			86	1955	17.12	11	1.45			162	1230	9.06	17	3.20			95	1767	15.48	11	1.60			69	2895	21.32	8.5	1.00			112	1498	13.12	11	1.90	GFA87	4P	76	2622	19.31	9.0	1.10			128	1308	11.46	11	2.20	GFAF87	153	1094	9.58	11	2.50	GF87	177	947	8.29	10	1.55	GFF87	200	839	7.35	10	1.75			86	2325	17.12	9.4	1.20			221	759	6.65	10	1.90			95	2102	15.48	10	1.35			261	643	5.63	10	2.20			112	1781	13.12	10	1.60	GFA87	4P	299	562	4.92	10	2.60			128	1556	11.46	10	1.85	GFAF87	357	470	4.12	9.4	2.90			153	1301	9.58	10	2.10	GF87								177	1126	8.29	10	1.30	GFF87								200	998	7.35	10	1.45										221	903	6.65	10	1.60										261	764	5.63	9.4	1.90										299	668	4.92	9.3	2.20										357	559	4.12	9.0	2.50			22kW							30kW							10	19826	96.35	86	0.85	GFA157	6P	14	19960	107.80	85	0.85			12	16959	82.42	94	0.95	GFAF157	13	15677	76.19	98	1.05	GF157	15	13710	66.63	102	1.20	GFF157	10	19262	141.86	88	0.90			15	17839	96.35	92	0.95			12	16222	119.47	95	1.00			18	15260	82.42	92	1.10			14	14637	107.80	101	1.15			19	14107	76.19	91	1.20	GFA157	4P	15	13082	96.35	102	1.30			22	12337	66.63	90	1.35	GFAF157	18	11191	82.42	100	1.45	GFA157	19	10345	76.19	99	1.60	GFAF157	22	9047	66.63	97	1.85	GF157	4P	26	10552	56.99	89	1.55	GF157	4P	26	7738	56.99	95	2.10	GFF157	29	6874	50.63	92	2.40		29	9374	50.63	87	1.75	GFF157	32	6145	45.26	90	2.70		32	8380	45.26	85	2.00			37	5343	39.35	87	3.10			37	7286	39.35	83	2.30			46	4335	31.93	83	3.90			46	5912	31.93	83	2.80			15	13514	99.53	73	0.85			20	13781	74.43	63	0.80			17	11890	87.57	72	0.95			21	12990	70.16	63	0.90			20	10106	74.43	72	1.10			23	11842	63.96	64	0.95	GFA127	4P	21	9526	70.16	72	1.20	GFA127	23	8684	63.96	71	1.30	GFAF127	26	7571	55.76	70	1.50	GF127	30	6661	49.06	69	1.70	GFF127		26	10324	55.76	63	1.10	GFAF127	4P	35	5662	41.70	67	2.00			30	9084	49.06	63	1.25	GF127	40	4987	36.73	67	2.30			35	7721	41.70	62	1.45	GFF127	46	4322	31.83	67	2.60			40	6801	36.73	61	1.65			55	3605	26.55	67	3.00			46	5893	31.83	60	1.95										58	4688	25.32	58	2.40										55	4916	26.55	59	1.60	GFA127	4P								60	4546	24.55	58	1.80	GFAF127								68	3975	21.47	56	2.90	GF127								80	3399	18.36	55	3.00	GFF127																
46	3651	31.98	44	2.00	GF107							GFF107		43	3915	34.29	44	1.80	GFA107	4P	39	5123	37.73	43	1.40		GFA107	4P	53	3181	27.86	43		2.40	GFAF107	58	2900	25.40	42	2.60	GF107	66	2528	22.14	41	3.00	GFF107	75	2224	19.48	41	3.40	GFF107									89	1891	16.56	41	4.00			43	4656	34.29	42	1.55			38	4437	38.86	19	0.90	GFA97	4P	53	3783	27.86		41	2.00								GFAF97						GF97						GFF97	45	3711	32.50	20	1.10			58	3449	25.40	41	2.20	GFA107	4P									66	3006	22.14	40	2.50	GFAF107								75	2645	19.48	39	2.80	GF107								89	2248	16.56	38	3.30	GFF107	54	3133	27.44	20	1.30			101	1980	14.58	38	3.70			59	2845	24.92	20	1.45			54	3726	27.44	18	1.10			66	2524	22.11	20	1.60	GFA97	4P	59		3384	24.92	18	1.20			73	2292	20.07	20	1.80	GFAF97	85	1970	17.25	19	2.10	GF97	98	1720	15.06	19	2.40	GFF97	115	1458	12.77	19	2.80			66	3002	22.11	18	1.35	GFA97	4P		132	1274	11.16	18	3.00			73	2725	20.07	18	1.50	GFAF97								85	2342	17.25	18	1.75	GF97								98	2045	15.06	18	2.00	GFF97	69	2434	21.32	10	1.15			115	1734	12.77	18	2.30			76	2205	19.31	11	1.30			132	1515	11.16	17	2.60			86	1955	17.12	11	1.45			162	1230	9.06	17	3.20			95	1767	15.48	11	1.60			69	2895	21.32	8.5	1.00			112	1498	13.12	11	1.90	GFA87		4P	76	2622	19.31	9.0	1.10			128	1308	11.46	11	2.20	GFAF87	153	1094	9.58	11	2.50	GF87	177	947	8.29	10	1.55	GFF87	200	839	7.35	10	1.75			86	2325	17.12	9.4	1.20			221	759	6.65	10	1.90			95	2102	15.48	10	1.35			261	643	5.63	10	2.20			112	1781	13.12	10	1.60		GFA87	4P	299	562	4.92	10	2.60			128	1556	11.46	10	1.85	GFAF87	357	470	4.12	9.4	2.90			153	1301	9.58	10	2.10	GF87								177	1126	8.29	10	1.30	GFF87								200	998	7.35	10	1.45										221	903	6.65	10	1.60										261	764	5.63	9.4	1.90										299	668	4.92	9.3	2.20										357	559	4.12	9.0	2.50			22kW							30kW							10	19826	96.35	86		0.85	GFA157	6P	14	19960	107.80	85	0.85			12	16959	82.42	94	0.95	GFAF157	13	15677	76.19	98	1.05	GF157	15	13710	66.63	102	1.20	GFF157	10	19262	141.86	88	0.90			15	17839	96.35	92	0.95			12	16222	119.47	95	1.00			18	15260	82.42	92	1.10			14	14637	107.80	101	1.15			19	14107	76.19		91	1.20	GFA157	4P	15	13082	96.35	102	1.30			22	12337	66.63	90	1.35	GFAF157	18	11191	82.42	100	1.45	GFA157	19	10345	76.19	99	1.60	GFAF157	22	9047		66.63	97	1.85	GF157	4P	26		10552	56.99	89	1.55	GF157	4P	26	7738	56.99	95	2.10	GFF157	29	6874	50.63	92	2.40		29	9374	50.63	87	1.75	GFF157	32	6145	45.26	90	2.70		32	8380	45.26	85	2.00			37	5343	39.35	87	3.10			37	7286	39.35	83	2.30			46	4335	31.93	83	3.90			46	5912	31.93	83	2.80			15	13514	99.53	73	0.85			20	13781	74.43	63	0.80			17	11890	87.57	72	0.95			21	12990	70.16	63	0.90			20	10106	74.43	72	1.10				23	11842	63.96	64	0.95	GFA127	4P	21	9526	70.16	72	1.20	GFA127	23	8684	63.96	71	1.30	GFAF127	26	7571	55.76	70	1.50	GF127	30	6661	49.06	69	1.70	GFF127			26	10324	55.76	63	1.10	GFAF127	4P	35	5662	41.70	67	2.00			30	9084	49.06	63	1.25	GF127	40	4987	36.73	67	2.30			35	7721	41.70	62	1.45	GFF127	46	4322	31.83	67	2.60			40	6801	36.73	61	1.65			55	3605	26.55	67	3.00			46	5893	31.83	60	1.95										58	4688	25.32	58	2.40											55	4916	26.55	59	1.60	GFA127	4P								60	4546	24.55	58	1.80	GFAF127								68	3975	21.47	56	2.90	GF127								80	3399	18.36	55	3.00	GFF127							
					GFF107		43	3915	34.29	44	1.80	GFA107		4P	39	5123	37.73	43	1.40		GFA107	4P	53	3181	27.86		43		2.40	GFAF107	58	2900		25.40	42	2.60	GF107	66	2528	22.14	41	3.00	GFF107	75	2224	19.48	41	3.40	GFF107									89	1891	16.56	41	4.00			43	4656	34.29	42	1.55			38	4437	38.86	19	0.90	GFA97	4P	53	3783	27.86		41	2.00									GFAF97						GF97						GFF97	45	3711	32.50	20	1.10			58	3449	25.40	41	2.20	GFA107	4P										66	3006	22.14	40	2.50	GFAF107								75	2645	19.48	39	2.80	GF107								89	2248	16.56	38	3.30	GFF107	54	3133	27.44	20	1.30			101	1980	14.58	38	3.70			59	2845	24.92	20	1.45			54	3726	27.44	18	1.10			66	2524	22.11	20	1.60	GFA97	4P	59		3384		24.92	18	1.20			73	2292	20.07	20	1.80	GFAF97	85	1970	17.25	19	2.10	GF97	98	1720	15.06	19	2.40	GFF97	115	1458	12.77	19	2.80			66	3002	22.11	18	1.35	GFA97	4P			132	1274	11.16	18	3.00			73	2725	20.07	18	1.50	GFAF97								85	2342	17.25	18	1.75	GF97								98	2045	15.06	18	2.00	GFF97	69	2434	21.32	10	1.15			115	1734	12.77	18	2.30			76	2205	19.31	11	1.30			132	1515	11.16	17	2.60			86	1955	17.12	11	1.45			162	1230	9.06	17	3.20			95	1767	15.48	11	1.60			69	2895	21.32	8.5	1.00			112	1498	13.12	11	1.90	GFA87			4P	76	2622	19.31	9.0	1.10			128	1308	11.46	11	2.20	GFAF87	153	1094	9.58	11	2.50	GF87	177	947	8.29	10	1.55	GFF87	200	839	7.35	10	1.75			86	2325	17.12	9.4	1.20			221	759	6.65	10	1.90			95	2102	15.48	10	1.35			261	643	5.63	10	2.20			112	1781	13.12	10		1.60		GFA87	4P	299	562	4.92	10	2.60			128	1556	11.46	10	1.85	GFAF87	357	470	4.12	9.4	2.90			153	1301	9.58	10	2.10	GF87								177	1126	8.29	10	1.30	GFF87								200	998	7.35	10	1.45										221	903	6.65	10	1.60										261	764	5.63	9.4	1.90										299	668	4.92	9.3	2.20										357	559	4.12	9.0	2.50			22kW							30kW							10	19826		96.35	86		0.85	GFA157	6P	14	19960	107.80	85	0.85			12	16959	82.42	94	0.95	GFAF157	13	15677	76.19	98	1.05	GF157	15	13710	66.63	102	1.20	GFF157	10	19262	141.86	88	0.90			15	17839	96.35	92	0.95			12	16222	119.47	95	1.00			18	15260	82.42	92	1.10			14	14637	107.80	101	1.15				19	14107	76.19		91	1.20	GFA157	4P	15	13082	96.35	102	1.30			22	12337	66.63	90	1.35	GFAF157	18	11191	82.42	100	1.45	GFA157	19	10345	76.19	99		1.60	GFAF157	22	9047		66.63		97	1.85	GF157	4P	26		10552	56.99	89	1.55	GF157	4P	26	7738	56.99	95	2.10	GFF157	29	6874	50.63	92	2.40		29	9374	50.63	87	1.75	GFF157	32	6145	45.26	90	2.70		32	8380	45.26	85	2.00			37	5343	39.35	87	3.10			37	7286	39.35	83	2.30			46	4335	31.93	83	3.90			46	5912	31.93	83	2.80			15	13514	99.53	73	0.85			20	13781	74.43	63	0.80			17	11890	87.57	72	0.95			21	12990	70.16	63	0.90			20		10106	74.43	72	1.10				23	11842	63.96	64	0.95	GFA127	4P	21	9526	70.16	72	1.20	GFA127	23	8684	63.96	71	1.30	GFAF127	26	7571	55.76	70	1.50		GF127	30	6661	49.06	69	1.70	GFF127			26	10324	55.76	63	1.10	GFAF127	4P	35	5662	41.70	67	2.00			30	9084	49.06	63	1.25	GF127	40	4987	36.73	67	2.30			35	7721	41.70	62	1.45	GFF127	46	4322	31.83	67	2.60			40	6801	36.73	61	1.65			55	3605	26.55	67	3.00			46	5893	31.83	60	1.95										58	4688	25.32	58		2.40											55	4916	26.55	59	1.60	GFA127	4P								60	4546	24.55	58	1.80	GFAF127								68	3975	21.47	56	2.90	GF127								80	3399	18.36	55
43	3915	34.29	44	1.80	GFA107	4P	39	5123	37.73	43	1.40	GFA107	4P																																																																																																																																																																																																																																																																																																																																																																																																																																																																																																																																																																																																																																																																																																																																																																																																																																																																																																																																				
53	3181	27.86	43	2.40	GFAF107		58	2900	25.40	42	2.60	GF107			66	2528	22.14	41	3.00		GFF107		75	2224	19.48	41	3.40		GFF107									89	1891	16.56	41	4.00			43	4656	34.29	42	1.55			38	4437	38.86	19	0.90	GFA97	4P	53	3783	27.86	41	2.00								GFAF97						GF97								GFF97	45	3711	32.50	20	1.10			58	3449	25.40	41	2.20	GFA107	4P								66	3006	22.14	40	2.50	GFAF107									75		2645	19.48	39	2.80	GF107								89	2248	16.56	38	3.30	GFF107	54	3133	27.44	20	1.30			101	1980	14.58	38	3.70			59	2845	24.92	20	1.45			54	3726	27.44	18	1.10			66	2524	22.11	20	1.60	GFA97	4P	59	3384	24.92	18	1.20			73	2292	20.07	20	1.80	GFAF97	85	1970	17.25	19	2.10	GF97		98		1720	15.06	19	2.40	GFF97	115	1458	12.77	19	2.80			66	3002	22.11	18	1.35	GFA97	4P	132	1274	11.16	18	3.00			73	2725	20.07	18	1.50	GFAF97										85	2342	17.25	18	1.75	GF97								98	2045	15.06	18	2.00	GFF97	69	2434	21.32	10	1.15			115	1734	12.77	18	2.30			76	2205	19.31	11	1.30			132	1515	11.16	17	2.60			86	1955	17.12	11	1.45			162	1230	9.06	17	3.20			95	1767	15.48	11	1.60			69	2895	21.32	8.5	1.00			112	1498	13.12	11	1.90	GFA87	4P	76	2622	19.31	9.0	1.10			128	1308	11.46	11	2.20	GFAF87	153	1094	9.58	11	2.50	GF87	177			947	8.29	10	1.55	GFF87	200	839	7.35	10	1.75			86	2325	17.12	9.4	1.20			221	759	6.65	10	1.90			95	2102	15.48	10	1.35			261	643	5.63	10	2.20			112	1781	13.12	10	1.60	GFA87	4P	299	562	4.92	10	2.60			128	1556	11.46	10	1.85	GFAF87	357	470	4.12	9.4	2.90					153	1301	9.58	10	2.10	GF87								177	1126	8.29	10	1.30	GFF87								200	998	7.35	10	1.45										221	903	6.65	10	1.60										261	764	5.63	9.4	1.90										299	668	4.92	9.3	2.20										357	559	4.12	9.0	2.50			22kW							30kW							10	19826	96.35	86	0.85	GFA157	6P	14	19960	107.80	85	0.85			12	16959	82.42	94	0.95	GFAF157	13	15677	76.19	98	1.05		GF157	15		13710	66.63	102	1.20	GFF157	10	19262	141.86	88	0.90			15	17839	96.35	92	0.95			12	16222	119.47	95	1.00			18	15260	82.42	92	1.10			14	14637	107.80	101	1.15			19	14107	76.19	91	1.20	GFA157	4P	15	13082	96.35	102	1.30			22	12337	66.63	90	1.35	GFAF157	18	11191	82.42	100		1.45	GFA157	19		10345	76.19	99	1.60	GFAF157	22	9047	66.63	97	1.85	GF157	4P	26	10552	56.99	89	1.55	GF157	4P	26	7738	56.99	95	2.10	GFF157	29	6874	50.63		92	2.40		29	9374		50.63		87	1.75	GFF157	32	6145		45.26	90	2.70		32	8380	45.26	85	2.00			37	5343	39.35	87	3.10			37	7286	39.35	83	2.30			46	4335	31.93	83	3.90			46	5912	31.93	83	2.80			15	13514	99.53	73	0.85			20	13781	74.43	63	0.80			17	11890	87.57	72	0.95			21	12990	70.16	63	0.90			20	10106	74.43	72	1.10			23	11842	63.96	64	0.95	GFA127	4P	21	9526	70.16	72	1.20	GFA127	23	8684	63.96	71	1.30	GFAF127	26	7571		55.76	70	1.50	GF127	30	6661		49.06	69	1.70	GFF127		26	10324	55.76	63	1.10	GFAF127	4P	35	5662	41.70	67	2.00			30	9084	49.06	63	1.25	GF127		40	4987	36.73	67	2.30				35	7721	41.70	62	1.45	GFF127	46	4322	31.83	67	2.60			40	6801	36.73	61	1.65			55	3605	26.55	67	3.00			46	5893	31.83	60	1.95										58	4688	25.32	58	2.40										55	4916	26.55	59	1.60	GFA127	4P								60	4546	24.55	58	1.80		GFAF127									68	3975	21.47	56	2.90	GF127								80	3399	18.36	55	3.00	GFF127																		
58	2900	25.40	42	2.60	GF107		66	2528	22.14	41	3.00	GFF107			75	2224	19.48	41	3.40	GFF107										89	1891	16.56	41	4.00			43	4656	34.29	42	1.55			38	4437	38.86	19	0.90	GFA97	4P	53	3783	27.86	41	2.00									GFAF97						GF97						GFF97	45		3711	32.50	20	1.10			58	3449	25.40	41	2.20	GFA107	4P									66	3006	22.14	40	2.50	GFAF107								75	2645	19.48	39	2.80	GF107									89	2248	16.56	38	3.30	GFF107	54	3133	27.44	20	1.30			101	1980	14.58	38	3.70			59	2845	24.92	20	1.45			54	3726	27.44	18	1.10			66	2524	22.11	20	1.60	GFA97	4P	59	3384	24.92	18	1.20				73	2292	20.07	20	1.80	GFAF97	85	1970	17.25	19	2.10	GF97	98	1720	15.06	19	2.40	GFF97	115		1458	12.77	19	2.80			66	3002	22.11	18	1.35	GFA97	4P	132	1274	11.16	18	3.00				73	2725	20.07	18	1.50	GFAF97								85	2342	17.25	18	1.75	GF97									98	2045	15.06	18	2.00	GFF97	69	2434	21.32	10	1.15			115	1734	12.77	18	2.30			76	2205	19.31	11	1.30			132	1515	11.16	17	2.60			86	1955	17.12	11	1.45			162	1230	9.06	17	3.20			95	1767	15.48	11	1.60			69	2895	21.32	8.5	1.00			112	1498	13.12	11	1.90	GFA87	4P	76	2622	19.31	9.0	1.10				128	1308	11.46	11	2.20	GFAF87	153	1094	9.58	11	2.50	GF87	177	947	8.29	10	1.55	GFF87	200	839	7.35		10	1.75			86	2325	17.12	9.4	1.20			221	759	6.65	10	1.90			95	2102	15.48	10	1.35			261	643	5.63	10	2.20			112	1781	13.12	10	1.60	GFA87	4P	299	562	4.92	10	2.60				128	1556	11.46	10	1.85	GFAF87	357	470	4.12	9.4	2.90			153	1301	9.58	10	2.10	GF87									177	1126	8.29	10	1.30	GFF87								200	998	7.35	10	1.45										221	903	6.65	10	1.60										261	764	5.63	9.4	1.90										299	668	4.92	9.3	2.20										357	559	4.12	9.0	2.50			22kW							30kW							10	19826	96.35	86	0.85	GFA157	6P	14	19960	107.80	85	0.85				12	16959	82.42	94	0.95	GFAF157	13	15677	76.19	98	1.05	GF157	15	13710	66.63	102	1.20	GFF157	10	19262	141.86		88	0.90			15	17839	96.35	92	0.95			12	16222	119.47	95	1.00			18	15260	82.42	92	1.10			14	14637	107.80	101	1.15			19	14107	76.19	91	1.20	GFA157	4P	15	13082	96.35	102	1.30				22	12337	66.63	90	1.35	GFAF157	18	11191	82.42	100	1.45	GFA157	19	10345	76.19	99	1.60	GFAF157	22	9047	66.63		97	1.85	GF157	4P	26	10552	56.99	89	1.55	GF157	4P		26	7738	56.99	95	2.10	GFF157		29	6874	50.63	92	2.40		29	9374	50.63	87	1.75	GFF157	32	6145	45.26		90	2.70		32	8380	45.26	85		2.00			37	5343	39.35	87	3.10			37	7286	39.35	83	2.30			46	4335	31.93	83	3.90			46	5912	31.93	83	2.80			15	13514	99.53	73	0.85			20	13781	74.43	63	0.80			17	11890	87.57	72	0.95			21	12990	70.16	63	0.90			20	10106	74.43	72	1.10			23	11842	63.96	64	0.95	GFA127	4P	21	9526	70.16	72	1.20	GFA127	23		8684	63.96	71	1.30	GFAF127	26	7571	55.76	70	1.50	GF127	30	6661	49.06	69	1.70	GFF127		26	10324	55.76		63	1.10	GFAF127	4P	35	5662	41.70	67	2.00				30	9084	49.06	63	1.25	GF127	40	4987	36.73	67	2.30			35	7721	41.70	62	1.45	GFF127	46	4322		31.83	67	2.60			40	6801	36.73	61	1.65			55	3605	26.55	67	3.00			46	5893	31.83	60	1.95										58	4688	25.32	58	2.40										55	4916	26.55	59	1.60	GFA127	4P									60	4546	24.55	58	1.80	GFAF127								68	3975	21.47	56	2.90	GF127									80	3399	18.36	55	3.00	GFF127																										
66	2528	22.14	41	3.00	GFF107		75	2224	19.48	41	3.40	GFF107										89	1891	16.56	41	4.00			43	4656	34.29	42	1.55			38	4437	38.86	19	0.90	GFA97	4P	53	3783	27.86	41	2.00									GFAF97							GF97						GFF97	45	3711	32.50	20	1.10			58	3449	25.40	41	2.20	GFA107	4P									66	3006	22.14	40	2.50	GFAF107									75	2645	19.48	39	2.80	GF107								89	2248	16.56	38	3.30	GFF107	54	3133	27.44	20	1.30			101	1980	14.58	38	3.70			59	2845	24.92	20	1.45			54	3726	27.44	18	1.10			66	2524	22.11	20	1.60	GFA97	4P	59	3384	24.92	18	1.20				73	2292	20.07	20	1.80	GFAF97	85		1970	17.25	19	2.10	GF97	98	1720	15.06	19	2.40	GFF97	115	1458	12.77	19	2.80			66	3002	22.11	18	1.35	GFA97	4P	132	1274	11.16	18	3.00				73	2725	20.07	18	1.50	GFAF97									85	2342	17.25	18	1.75	GF97								98	2045	15.06	18	2.00	GFF97	69	2434	21.32	10	1.15			115	1734	12.77	18	2.30			76	2205	19.31	11	1.30			132	1515	11.16	17	2.60			86	1955	17.12	11	1.45			162	1230	9.06	17	3.20			95	1767	15.48	11	1.60			69	2895	21.32	8.5	1.00			112	1498	13.12	11	1.90	GFA87	4P	76	2622	19.31	9.0	1.10				128	1308	11.46	11	2.20	GFAF87	153		1094	9.58	11	2.50	GF87	177	947	8.29	10	1.55	GFF87	200	839	7.35	10	1.75			86	2325	17.12	9.4	1.20			221	759	6.65	10	1.90			95	2102	15.48	10	1.35			261	643	5.63	10	2.20			112	1781	13.12	10	1.60	GFA87	4P	299	562	4.92	10	2.60				128	1556	11.46	10	1.85	GFAF87	357		470	4.12	9.4	2.90			153	1301	9.58	10	2.10	GF87								177	1126	8.29	10	1.30	GFF87								200	998	7.35	10	1.45										221	903	6.65	10	1.60										261	764	5.63	9.4	1.90										299	668	4.92	9.3	2.20										357	559	4.12	9.0	2.50			22kW							30kW							10	19826	96.35	86	0.85	GFA157	6P	14	19960	107.80	85	0.85				12	16959	82.42	94	0.95	GFAF157	13		15677	76.19	98	1.05	GF157	15	13710	66.63	102	1.20	GFF157	10	19262	141.86	88	0.90			15	17839	96.35	92	0.95			12	16222	119.47	95	1.00			18	15260	82.42	92	1.10			14	14637	107.80	101	1.15			19	14107	76.19	91	1.20	GFA157	4P	15	13082	96.35	102	1.30				22	12337	66.63	90	1.35	GFAF157	18		11191	82.42	100	1.45	GFA157	19	10345	76.19	99	1.60	GFAF157	22	9047	66.63	97	1.85	GF157	4P	26	10552	56.99	89	1.55	GF157	4P		26	7738	56.99	95	2.10	GFF157			29	6874	50.63	92	2.40			29	9374	50.63	87	1.75	GFF157	32	6145	45.26	90	2.70		32	8380	45.26	85	2.00			37	5343	39.35	87	3.10			37	7286	39.35	83	2.30			46	4335	31.93	83	3.90			46	5912	31.93	83	2.80			15	13514	99.53	73	0.85			20	13781	74.43	63	0.80			17	11890	87.57	72	0.95			21	12990	70.16	63	0.90			20	10106	74.43	72	1.10			23	11842	63.96	64	0.95	GFA127	4P	21	9526	70.16	72	1.20	GFA127	23		8684	63.96	71	1.30	GFAF127	26	7571		55.76	70	1.50	GF127	30	6661	49.06	69	1.70	GFF127		26	10324	55.76	63	1.10	GFAF127	4P	35	5662	41.70	67	2.00				30	9084	49.06	63	1.25	GF127	40		4987	36.73	67	2.30			35	7721	41.70	62	1.45	GFF127	46	4322	31.83	67	2.60			40	6801	36.73	61	1.65			55	3605	26.55	67	3.00			46	5893	31.83	60	1.95										58	4688	25.32	58	2.40										55	4916	26.55	59	1.60	GFA127	4P									60	4546	24.55	58	1.80	GFAF127									68	3975	21.47	56	2.90	GF127								80	3399	18.36	55	3.00	GFF127																																		
75	2224	19.48	41	3.40	GFF107																																																																																																																																																																																																																																																																																																																																																																																																																																																																																																																																																																																																																																																																																																																																																																																																																																																																																																																																												
89	1891	16.56	41	4.00			43	4656	34.29	42	1.55																																																																																																																																																																																																																																																																																																																																																																																																																																																																																																																																																																																																																																																																																																																																																																																																																																																																																																																																						
38	4437	38.86	19	0.90	GFA97	4P	53	3783	27.86	41	2.00																																																																																																																																																																																																																																																																																																																																																																																																																																																																																																																																																																																																																																																																																																																																																																																																																																																																																																																																						
					GFAF97							GF97						GFF97	45	3711	32.50	20	1.10			58	3449	25.40	41	2.20	GFA107	4P								66	3006	22.14	40	2.50	GFAF107								75	2645	19.48	39	2.80	GF107								89	2248	16.56	38	3.30	GFF107	54	3133	27.44	20	1.30			101	1980	14.58	38	3.70			59	2845	24.92	20	1.45			54	3726	27.44	18	1.10			66	2524	22.11	20	1.60	GFA97	4P	59	3384	24.92	18	1.20			73	2292	20.07	20	1.80	GFAF97	85	1970	17.25	19	2.10	GF97	98	1720	15.06	19	2.40	GFF97	115	1458	12.77	19	2.80			66	3002	22.11	18	1.35	GFA97	4P	132	1274	11.16	18	3.00			73	2725	20.07	18	1.50	GFAF97								85	2342	17.25	18	1.75	GF97								98	2045	15.06	18	2.00	GFF97	69	2434	21.32	10	1.15			115	1734	12.77	18	2.30			76	2205	19.31	11	1.30			132	1515	11.16	17	2.60			86	1955	17.12	11	1.45			162	1230	9.06	17	3.20			95	1767	15.48	11	1.60			69	2895	21.32	8.5	1.00			112	1498	13.12	11	1.90	GFA87	4P	76	2622	19.31	9.0	1.10			128	1308	11.46	11	2.20	GFAF87	153	1094	9.58	11	2.50	GF87	177	947	8.29	10	1.55	GFF87	200	839	7.35	10	1.75			86	2325	17.12	9.4	1.20			221	759	6.65	10	1.90			95	2102	15.48	10	1.35			261	643	5.63	10	2.20			112	1781	13.12	10	1.60	GFA87	4P	299	562	4.92	10	2.60			128	1556	11.46	10	1.85	GFAF87	357	470	4.12	9.4	2.90			153	1301	9.58	10	2.10	GF87								177	1126	8.29	10	1.30	GFF87								200	998	7.35	10	1.45										221	903	6.65	10	1.60										261	764	5.63	9.4	1.90										299	668	4.92	9.3	2.20										357	559	4.12	9.0	2.50			22kW							30kW							10	19826	96.35	86	0.85	GFA157	6P	14	19960	107.80	85	0.85			12	16959	82.42	94	0.95	GFAF157	13	15677	76.19	98	1.05	GF157	15	13710	66.63	102	1.20	GFF157	10	19262	141.86	88	0.90			15	17839	96.35	92	0.95			12	16222	119.47	95	1.00			18	15260	82.42	92	1.10			14	14637	107.80	101	1.15			19	14107	76.19	91	1.20	GFA157	4P	15	13082	96.35	102	1.30			22	12337	66.63	90	1.35	GFAF157	18	11191	82.42	100	1.45	GFA157	19	10345	76.19	99	1.60	GFAF157	22	9047	66.63	97	1.85	GF157	4P	26	10552	56.99	89	1.55	GF157	4P	26	7738	56.99	95	2.10	GFF157	29	6874	50.63	92	2.40		29	9374	50.63	87	1.75	GFF157	32	6145	45.26	90	2.70		32	8380	45.26	85	2.00			37	5343	39.35	87	3.10			37	7286	39.35	83	2.30			46	4335	31.93	83	3.90			46	5912	31.93	83	2.80			15	13514	99.53	73	0.85			20	13781	74.43	63	0.80			17	11890	87.57	72	0.95			21	12990	70.16	63	0.90			20	10106	74.43	72	1.10			23	11842	63.96	64	0.95	GFA127	4P	21	9526	70.16	72	1.20	GFA127	23	8684	63.96	71	1.30	GFAF127	26	7571	55.76	70	1.50	GF127	30	6661	49.06	69	1.70	GFF127		26	10324	55.76	63	1.10	GFAF127	4P	35	5662	41.70	67	2.00			30	9084	49.06	63	1.25	GF127	40	4987	36.73	67	2.30			35	7721	41.70	62	1.45	GFF127	46	4322	31.83	67	2.60			40	6801	36.73	61	1.65			55	3605	26.55	67	3.00			46	5893	31.83	60	1.95										58	4688	25.32	58	2.40										55	4916	26.55	59	1.60	GFA127	4P								60	4546	24.55	58	1.80	GFAF127								68	3975	21.47	56	2.90	GF127								80	3399	18.36	55	3.00	GFF127																																																																																																													
					GF97							GFF97	45	3711	32.50	20	1.10			58	3449	25.40	41	2.20	GFA107	4P									66	3006	22.14	40	2.50	GFAF107								75	2645	19.48	39	2.80	GF107								89	2248	16.56	38	3.30	GFF107	54	3133	27.44	20	1.30			101	1980	14.58	38	3.70			59	2845	24.92	20	1.45			54	3726	27.44	18	1.10			66	2524	22.11	20	1.60	GFA97	4P	59	3384	24.92	18		1.20			73	2292	20.07	20	1.80	GFAF97	85	1970	17.25	19	2.10	GF97	98	1720	15.06	19	2.40	GFF97	115	1458	12.77	19	2.80			66	3002	22.11	18	1.35	GFA97	4P	132	1274	11.16		18	3.00			73	2725	20.07	18	1.50	GFAF97								85	2342	17.25	18	1.75	GF97								98	2045	15.06	18	2.00	GFF97	69	2434	21.32	10	1.15			115	1734	12.77	18	2.30			76	2205	19.31	11	1.30			132	1515	11.16	17	2.60			86	1955	17.12	11	1.45			162	1230	9.06	17	3.20			95	1767	15.48	11	1.60			69	2895	21.32	8.5	1.00			112	1498	13.12	11	1.90	GFA87	4P	76	2622		19.31	9.0	1.10			128	1308	11.46	11	2.20	GFAF87	153	1094	9.58	11	2.50	GF87	177	947	8.29	10	1.55	GFF87	200	839	7.35	10	1.75			86	2325	17.12	9.4	1.20			221	759	6.65	10	1.90			95	2102	15.48	10	1.35			261	643	5.63	10	2.20			112	1781	13.12	10	1.60	GFA87	4P	299		562	4.92	10	2.60			128	1556	11.46	10	1.85	GFAF87	357	470	4.12	9.4	2.90			153	1301	9.58	10	2.10	GF87								177	1126	8.29	10	1.30	GFF87								200	998	7.35	10	1.45										221	903	6.65	10	1.60										261	764	5.63	9.4	1.90										299	668	4.92	9.3	2.20										357	559	4.12	9.0	2.50			22kW							30kW							10	19826	96.35	86	0.85	GFA157	6P		14	19960	107.80	85	0.85			12	16959	82.42	94	0.95	GFAF157	13	15677	76.19	98	1.05	GF157	15	13710	66.63	102	1.20	GFF157	10	19262	141.86	88	0.90			15	17839	96.35	92	0.95			12	16222	119.47	95	1.00			18	15260	82.42	92	1.10			14	14637	107.80	101	1.15			19	14107	76.19	91	1.20	GFA157		4P	15	13082	96.35	102	1.30			22	12337	66.63	90	1.35	GFAF157	18	11191	82.42	100	1.45	GFA157	19	10345	76.19	99	1.60	GFAF157	22	9047	66.63	97	1.85		GF157	4P	26	10552	56.99	89		1.55	GF157	4P	26	7738	56.99	95	2.10	GFF157	29	6874	50.63	92	2.40		29	9374	50.63	87	1.75	GFF157	32	6145	45.26	90	2.70		32	8380	45.26	85	2.00			37	5343	39.35	87	3.10			37	7286	39.35	83	2.30			46	4335	31.93	83	3.90			46	5912	31.93	83	2.80			15	13514	99.53	73	0.85			20	13781	74.43	63	0.80			17	11890	87.57	72	0.95			21	12990	70.16	63	0.90			20	10106	74.43	72	1.10			23	11842	63.96		64	0.95	GFA127	4P	21	9526	70.16	72	1.20	GFA127	23	8684	63.96	71	1.30	GFAF127	26	7571	55.76	70	1.50	GF127	30	6661	49.06	69	1.70	GFF127		26	10324		55.76	63	1.10	GFAF127	4P	35	5662	41.70	67	2.00			30	9084	49.06	63	1.25	GF127	40	4987	36.73	67	2.30			35	7721	41.70	62	1.45	GFF127	46	4322	31.83	67	2.60			40	6801	36.73	61	1.65			55	3605	26.55	67	3.00			46	5893	31.83	60	1.95										58	4688	25.32	58	2.40										55		4916	26.55	59	1.60	GFA127	4P								60	4546	24.55	58	1.80	GFAF127								68	3975	21.47	56	2.90	GF127								80	3399	18.36	55	3.00	GFF127																																																																																																							
					GFF97		45	3711	32.50	20	1.10			58	3449	25.40	41	2.20	GFA107	4P									66	3006	22.14		40	2.50	GFAF107								75	2645	19.48	39	2.80	GF107								89	2248	16.56	38	3.30	GFF107	54	3133	27.44	20	1.30			101	1980	14.58	38	3.70			59	2845	24.92	20	1.45			54	3726	27.44	18	1.10			66	2524	22.11	20	1.60	GFA97	4P	59	3384	24.92	18		1.20			73		2292	20.07	20	1.80	GFAF97	85	1970	17.25	19	2.10	GF97	98	1720	15.06	19	2.40	GFF97	115	1458	12.77	19	2.80			66	3002	22.11	18	1.35	GFA97	4P	132	1274	11.16		18	3.00				73	2725	20.07	18	1.50	GFAF97								85	2342	17.25	18	1.75	GF97								98	2045	15.06	18	2.00	GFF97	69	2434	21.32	10	1.15			115	1734	12.77	18	2.30			76	2205	19.31	11	1.30			132	1515	11.16	17	2.60			86	1955	17.12	11	1.45			162	1230	9.06	17	3.20			95	1767	15.48	11	1.60			69	2895	21.32	8.5	1.00			112	1498	13.12	11	1.90	GFA87	4P	76	2622		19.31	9.0		1.10			128	1308	11.46	11	2.20	GFAF87	153	1094	9.58	11	2.50	GF87	177	947	8.29	10	1.55	GFF87	200	839	7.35	10	1.75			86	2325	17.12	9.4	1.20			221	759	6.65	10	1.90			95	2102	15.48	10	1.35			261	643	5.63	10	2.20			112	1781	13.12	10	1.60	GFA87	4P	299		562		4.92	10	2.60			128	1556	11.46	10	1.85	GFAF87	357	470	4.12	9.4	2.90			153	1301	9.58	10	2.10	GF87								177	1126	8.29	10	1.30	GFF87								200	998	7.35	10	1.45										221	903	6.65	10	1.60										261	764	5.63	9.4	1.90										299	668	4.92	9.3	2.20										357	559	4.12	9.0	2.50			22kW							30kW							10	19826	96.35	86	0.85	GFA157	6P			14	19960	107.80	85	0.85			12	16959	82.42	94	0.95	GFAF157	13	15677	76.19	98	1.05	GF157	15	13710	66.63	102	1.20	GFF157	10	19262	141.86	88	0.90			15	17839	96.35	92	0.95			12	16222	119.47	95	1.00			18	15260	82.42	92	1.10			14	14637	107.80	101	1.15			19	14107	76.19	91	1.20	GFA157			4P	15	13082	96.35	102	1.30			22	12337	66.63	90	1.35	GFAF157	18	11191	82.42	100	1.45	GFA157	19	10345	76.19	99	1.60	GFAF157	22	9047	66.63	97		1.85		GF157	4P	26	10552		56.99	89		1.55	GF157	4P	26	7738	56.99	95	2.10	GFF157	29	6874	50.63	92	2.40		29	9374	50.63	87	1.75	GFF157	32	6145	45.26	90	2.70		32	8380	45.26	85	2.00			37	5343	39.35	87	3.10			37	7286	39.35	83	2.30			46	4335	31.93	83	3.90			46	5912	31.93	83	2.80			15	13514	99.53	73	0.85			20	13781	74.43	63	0.80			17	11890	87.57	72	0.95			21	12990	70.16	63	0.90			20	10106	74.43	72	1.10				23	11842	63.96		64	0.95	GFA127	4P	21	9526	70.16	72	1.20	GFA127	23	8684	63.96	71	1.30	GFAF127	26	7571	55.76	70	1.50	GF127	30	6661	49.06	69	1.70		GFF127		26	10324		55.76	63	1.10	GFAF127	4P	35	5662	41.70	67	2.00			30	9084	49.06	63	1.25	GF127	40	4987	36.73	67	2.30			35	7721	41.70	62	1.45	GFF127	46	4322	31.83	67	2.60			40	6801	36.73	61	1.65			55	3605	26.55	67	3.00			46	5893	31.83	60	1.95										58	4688	25.32	58	2.40											55		4916	26.55	59	1.60	GFA127	4P								60	4546	24.55	58	1.80	GFAF127								68	3975	21.47	56	2.90	GF127								80	3399	18.36	55	3.00	GFF127																																																																																																	
45	3711	32.50	20	1.10			58	3449	25.40	41	2.20	GFA107	4P																																																																																																																																																																																																																																																																																																																																																																																																																																																																																																																																																																																																																																																																																																																																																																																																																																																																																																																																				
							66	3006	22.14	40	2.50	GFAF107																																																																																																																																																																																																																																																																																																																																																																																																																																																																																																																																																																																																																																																																																																																																																																																																																																																																																																																																					
							75	2645	19.48	39	2.80	GF107																																																																																																																																																																																																																																																																																																																																																																																																																																																																																																																																																																																																																																																																																																																																																																																																																																																																																																																																					
							89	2248	16.56	38	3.30	GFF107																																																																																																																																																																																																																																																																																																																																																																																																																																																																																																																																																																																																																																																																																																																																																																																																																																																																																																																																					
54	3133	27.44	20	1.30			101	1980	14.58	38	3.70																																																																																																																																																																																																																																																																																																																																																																																																																																																																																																																																																																																																																																																																																																																																																																																																																																																																																																																																						
59	2845	24.92	20	1.45			54	3726	27.44	18	1.10																																																																																																																																																																																																																																																																																																																																																																																																																																																																																																																																																																																																																																																																																																																																																																																																																																																																																																																																						
66	2524	22.11	20	1.60	GFA97	4P	59	3384	24.92	18	1.20																																																																																																																																																																																																																																																																																																																																																																																																																																																																																																																																																																																																																																																																																																																																																																																																																																																																																																																																						
73	2292	20.07	20	1.80	GFAF97		85	1970	17.25	19	2.10	GF97	98	1720	15.06	19	2.40	GFF97	115	1458	12.77	19	2.80			66	3002	22.11	18	1.35	GFA97	4P	132	1274	11.16	18	3.00			73	2725	20.07	18	1.50	GFAF97								85	2342	17.25	18	1.75	GF97								98	2045	15.06	18	2.00	GFF97	69	2434	21.32	10	1.15			115	1734	12.77	18	2.30			76	2205	19.31	11	1.30			132	1515	11.16	17	2.60			86	1955	17.12	11	1.45			162	1230	9.06	17	3.20			95	1767	15.48	11	1.60			69	2895	21.32	8.5	1.00			112	1498	13.12	11	1.90	GFA87	4P	76	2622	19.31	9.0	1.10			128	1308	11.46	11	2.20	GFAF87	153	1094	9.58	11	2.50	GF87	177	947	8.29	10	1.55	GFF87	200	839	7.35	10	1.75			86	2325	17.12	9.4	1.20			221	759	6.65	10	1.90			95	2102	15.48	10	1.35			261	643	5.63	10	2.20			112	1781	13.12	10	1.60	GFA87	4P	299	562	4.92	10	2.60			128	1556	11.46	10	1.85	GFAF87	357	470	4.12	9.4	2.90			153	1301	9.58	10	2.10	GF87								177	1126	8.29	10	1.30	GFF87								200	998	7.35	10	1.45										221	903	6.65	10	1.60										261	764	5.63	9.4	1.90										299	668	4.92	9.3	2.20										357	559	4.12	9.0	2.50			22kW							30kW							10	19826	96.35	86	0.85	GFA157	6P	14	19960	107.80	85	0.85			12	16959	82.42	94	0.95	GFAF157	13	15677	76.19	98	1.05	GF157	15	13710	66.63	102	1.20	GFF157	10	19262	141.86	88	0.90			15	17839	96.35	92	0.95			12	16222	119.47	95	1.00			18	15260	82.42	92	1.10			14	14637	107.80	101	1.15			19	14107	76.19	91	1.20	GFA157	4P	15	13082	96.35	102	1.30			22	12337	66.63	90	1.35	GFAF157	18	11191	82.42	100	1.45	GFA157	19	10345	76.19	99	1.60	GFAF157	22	9047	66.63	97	1.85	GF157	4P	26	10552	56.99	89	1.55	GF157	4P	26	7738	56.99	95	2.10	GFF157	29	6874	50.63	92	2.40		29	9374	50.63	87	1.75	GFF157	32	6145	45.26	90	2.70		32	8380	45.26	85	2.00			37	5343	39.35	87	3.10			37	7286	39.35	83	2.30			46	4335	31.93	83	3.90			46	5912	31.93	83	2.80			15	13514	99.53	73	0.85			20	13781	74.43	63	0.80			17	11890	87.57	72	0.95			21	12990	70.16	63	0.90			20	10106	74.43	72	1.10			23	11842	63.96	64	0.95	GFA127	4P	21	9526	70.16	72	1.20	GFA127	23	8684	63.96	71	1.30	GFAF127	26	7571	55.76	70	1.50	GF127	30	6661	49.06	69	1.70	GFF127		26	10324	55.76	63	1.10	GFAF127	4P	35	5662	41.70	67	2.00			30	9084	49.06	63	1.25	GF127	40	4987	36.73	67	2.30			35	7721	41.70	62	1.45	GFF127	46	4322	31.83	67	2.60			40	6801	36.73	61	1.65			55	3605	26.55	67	3.00			46	5893	31.83	60	1.95										58	4688	25.32	58	2.40										55	4916	26.55	59	1.60	GFA127	4P								60	4546	24.55	58	1.80	GFAF127								68	3975	21.47	56	2.90	GF127								80	3399	18.36	55	3.00	GFF127																																																																																																																																																																																																																														
85	1970	17.25	19	2.10	GF97		98	1720	15.06	19	2.40	GFF97	115	1458	12.77	19	2.80			66	3002	22.11	18	1.35	GFA97	4P	132	1274	11.16	18	3.00				73	2725	20.07	18	1.50	GFAF97								85	2342	17.25	18	1.75	GF97								98	2045	15.06	18	2.00	GFF97	69	2434	21.32	10	1.15			115	1734	12.77	18	2.30			76	2205	19.31	11	1.30			132	1515	11.16	17	2.60			86	1955	17.12	11	1.45			162	1230	9.06	17	3.20			95	1767	15.48	11	1.60			69	2895	21.32	8.5	1.00			112	1498	13.12	11	1.90	GFA87	4P	76	2622	19.31	9.0		1.10			128	1308	11.46	11	2.20	GFAF87	153	1094	9.58	11	2.50	GF87	177	947	8.29	10	1.55	GFF87	200	839	7.35	10	1.75			86	2325	17.12	9.4	1.20			221	759	6.65	10	1.90			95	2102	15.48	10	1.35			261	643	5.63	10	2.20			112	1781	13.12	10	1.60	GFA87	4P	299	562	4.92		10	2.60			128	1556	11.46	10	1.85	GFAF87	357	470	4.12	9.4	2.90			153	1301	9.58	10	2.10	GF87								177	1126	8.29	10	1.30	GFF87								200	998	7.35	10	1.45										221	903	6.65	10	1.60										261	764	5.63	9.4	1.90										299	668	4.92	9.3	2.20										357	559	4.12	9.0	2.50			22kW							30kW							10	19826	96.35	86	0.85	GFA157	6P	14	19960		107.80	85	0.85			12	16959	82.42	94	0.95	GFAF157	13	15677	76.19	98	1.05	GF157	15	13710	66.63	102	1.20	GFF157	10	19262	141.86	88	0.90			15	17839	96.35	92	0.95			12	16222	119.47	95	1.00			18	15260	82.42	92	1.10			14	14637	107.80	101	1.15			19	14107	76.19	91	1.20	GFA157	4P	15		13082	96.35	102	1.30			22	12337	66.63	90	1.35	GFAF157	18	11191	82.42	100	1.45	GFA157	19	10345	76.19	99	1.60	GFAF157	22	9047	66.63	97	1.85	GF157	4P		26	10552	56.99	89	1.55	GF157		4P	26	7738	56.99	95	2.10	GFF157	29	6874	50.63	92	2.40		29	9374	50.63	87	1.75	GFF157	32	6145	45.26	90	2.70		32	8380	45.26	85	2.00			37	5343	39.35	87	3.10			37	7286	39.35	83	2.30			46	4335	31.93	83	3.90			46	5912	31.93	83	2.80			15	13514	99.53	73	0.85			20	13781	74.43	63	0.80			17	11890	87.57	72	0.95			21	12990	70.16	63	0.90			20	10106	74.43	72	1.10			23	11842	63.96	64	0.95		GFA127	4P	21	9526	70.16	72	1.20	GFA127	23	8684	63.96	71	1.30	GFAF127	26	7571	55.76	70	1.50	GF127	30	6661	49.06	69	1.70	GFF127		26	10324	55.76	63		1.10	GFAF127	4P	35	5662	41.70	67	2.00			30	9084	49.06	63	1.25	GF127	40	4987	36.73	67	2.30			35	7721	41.70	62	1.45	GFF127	46	4322	31.83	67	2.60			40	6801	36.73	61	1.65			55	3605	26.55	67	3.00			46	5893	31.83	60	1.95										58	4688	25.32	58	2.40										55	4916	26.55		59	1.60	GFA127	4P								60	4546	24.55	58	1.80	GFAF127								68	3975	21.47	56	2.90	GF127								80	3399	18.36	55	3.00	GFF127																																																																																																																																																																																																																										
98	1720	15.06	19	2.40	GFF97																																																																																																																																																																																																																																																																																																																																																																																																																																																																																																																																																																																																																																																																																																																																																																																																																																																																																																																																												
115	1458	12.77	19	2.80			66	3002	22.11	18	1.35	GFA97	4P																																																																																																																																																																																																																																																																																																																																																																																																																																																																																																																																																																																																																																																																																																																																																																																																																																																																																																																																				
132	1274	11.16	18	3.00			73	2725	20.07	18	1.50	GFAF97																																																																																																																																																																																																																																																																																																																																																																																																																																																																																																																																																																																																																																																																																																																																																																																																																																																																																																																																					
							85	2342	17.25	18	1.75	GF97																																																																																																																																																																																																																																																																																																																																																																																																																																																																																																																																																																																																																																																																																																																																																																																																																																																																																																																																					
							98	2045	15.06	18	2.00	GFF97																																																																																																																																																																																																																																																																																																																																																																																																																																																																																																																																																																																																																																																																																																																																																																																																																																																																																																																																					
69	2434	21.32	10	1.15			115	1734	12.77	18	2.30																																																																																																																																																																																																																																																																																																																																																																																																																																																																																																																																																																																																																																																																																																																																																																																																																																																																																																																																						
76	2205	19.31	11	1.30			132	1515	11.16	17	2.60																																																																																																																																																																																																																																																																																																																																																																																																																																																																																																																																																																																																																																																																																																																																																																																																																																																																																																																																						
86	1955	17.12	11	1.45			162	1230	9.06	17	3.20																																																																																																																																																																																																																																																																																																																																																																																																																																																																																																																																																																																																																																																																																																																																																																																																																																																																																																																																						
95	1767	15.48	11	1.60			69	2895	21.32	8.5	1.00																																																																																																																																																																																																																																																																																																																																																																																																																																																																																																																																																																																																																																																																																																																																																																																																																																																																																																																																						
112	1498	13.12	11	1.90	GFA87	4P	76	2622	19.31	9.0	1.10																																																																																																																																																																																																																																																																																																																																																																																																																																																																																																																																																																																																																																																																																																																																																																																																																																																																																																																																						
128	1308	11.46	11	2.20	GFAF87		153	1094	9.58	11	2.50	GF87	177	947	8.29	10	1.55	GFF87	200	839	7.35	10	1.75			86	2325	17.12	9.4	1.20			221	759	6.65	10	1.90			95	2102	15.48	10	1.35			261	643	5.63	10	2.20			112	1781	13.12	10	1.60	GFA87	4P	299	562	4.92	10	2.60			128	1556	11.46	10	1.85	GFAF87	357	470	4.12	9.4	2.90			153	1301	9.58	10	2.10	GF87								177	1126	8.29	10	1.30	GFF87								200	998	7.35	10	1.45										221	903	6.65	10	1.60										261	764	5.63	9.4	1.90										299	668	4.92	9.3	2.20										357	559	4.12	9.0	2.50			22kW							30kW							10	19826	96.35	86	0.85	GFA157	6P	14	19960	107.80	85	0.85			12	16959	82.42	94	0.95	GFAF157	13	15677	76.19	98	1.05	GF157	15	13710	66.63	102	1.20	GFF157	10	19262	141.86	88	0.90			15	17839	96.35	92	0.95			12	16222	119.47	95	1.00			18	15260	82.42	92	1.10			14	14637	107.80	101	1.15			19	14107	76.19	91	1.20	GFA157	4P	15	13082	96.35	102	1.30			22	12337	66.63	90	1.35	GFAF157	18	11191	82.42	100	1.45	GFA157	19	10345	76.19	99	1.60	GFAF157	22	9047	66.63	97	1.85	GF157	4P	26	10552	56.99	89	1.55	GF157	4P	26	7738	56.99	95	2.10	GFF157	29	6874	50.63	92	2.40		29	9374	50.63	87	1.75	GFF157	32	6145	45.26	90	2.70		32	8380	45.26	85	2.00			37	5343	39.35	87	3.10			37	7286	39.35	83	2.30			46	4335	31.93	83	3.90			46	5912	31.93	83	2.80			15	13514	99.53	73	0.85			20	13781	74.43	63	0.80			17	11890	87.57	72	0.95			21	12990	70.16	63	0.90			20	10106	74.43	72	1.10			23	11842	63.96	64	0.95	GFA127	4P	21	9526	70.16	72	1.20	GFA127	23	8684	63.96	71	1.30	GFAF127	26	7571	55.76	70	1.50	GF127	30	6661	49.06	69	1.70	GFF127		26	10324	55.76	63	1.10	GFAF127	4P	35	5662	41.70	67	2.00			30	9084	49.06	63	1.25	GF127	40	4987	36.73	67	2.30			35	7721	41.70	62	1.45	GFF127	46	4322	31.83	67	2.60			40	6801	36.73	61	1.65			55	3605	26.55	67	3.00			46	5893	31.83	60	1.95										58	4688	25.32	58	2.40										55	4916	26.55	59	1.60	GFA127	4P								60	4546	24.55	58	1.80	GFAF127								68	3975	21.47	56	2.90	GF127								80	3399	18.36	55	3.00	GFF127																																																																																																																																																																																																																																																																																																																																																																											
153	1094	9.58	11	2.50	GF87		177	947	8.29	10	1.55	GFF87	200	839	7.35	10	1.75			86	2325	17.12	9.4	1.20			221	759	6.65	10	1.90			95	2102	15.48	10	1.35			261	643	5.63	10	2.20			112	1781	13.12	10	1.60	GFA87	4P	299	562	4.92	10	2.60				128	1556	11.46	10	1.85	GFAF87	357	470	4.12	9.4	2.90			153	1301	9.58	10	2.10	GF87								177	1126	8.29	10	1.30	GFF87								200	998	7.35	10	1.45										221	903	6.65	10	1.60										261	764	5.63	9.4	1.90										299	668	4.92	9.3	2.20										357	559	4.12	9.0	2.50			22kW							30kW							10	19826	96.35	86	0.85	GFA157	6P	14	19960	107.80	85		0.85			12	16959	82.42	94	0.95	GFAF157	13	15677	76.19	98	1.05	GF157	15	13710	66.63	102	1.20	GFF157	10	19262	141.86	88	0.90			15	17839	96.35	92	0.95			12	16222	119.47	95	1.00			18	15260	82.42	92	1.10			14	14637	107.80	101	1.15			19	14107	76.19	91	1.20	GFA157	4P	15	13082	96.35		102	1.30			22	12337	66.63	90	1.35	GFAF157	18	11191	82.42	100	1.45	GFA157	19	10345	76.19	99	1.60	GFAF157	22	9047	66.63	97	1.85	GF157	4P	26	10552		56.99	89	1.55	GF157	4P	26		7738	56.99	95	2.10	GFF157	29	6874	50.63	92	2.40		29	9374	50.63	87	1.75	GFF157	32	6145	45.26	90	2.70		32	8380	45.26	85	2.00			37	5343	39.35	87	3.10			37	7286	39.35	83	2.30			46	4335	31.93	83	3.90			46	5912	31.93	83	2.80			15	13514	99.53	73	0.85			20	13781	74.43	63	0.80			17	11890	87.57	72	0.95			21	12990	70.16	63	0.90			20	10106	74.43	72	1.10			23	11842	63.96	64	0.95	GFA127	4P		21	9526	70.16	72	1.20	GFA127	23	8684	63.96	71	1.30	GFAF127	26	7571	55.76	70	1.50	GF127	30	6661	49.06	69	1.70	GFF127		26	10324	55.76	63	1.10	GFAF127		4P	35	5662	41.70	67	2.00			30	9084	49.06	63	1.25	GF127	40	4987	36.73	67	2.30			35	7721	41.70	62	1.45	GFF127	46	4322	31.83	67	2.60			40	6801	36.73	61	1.65			55	3605	26.55	67	3.00			46	5893	31.83	60	1.95										58	4688	25.32	58	2.40										55	4916	26.55	59	1.60		GFA127	4P								60	4546	24.55	58	1.80	GFAF127								68	3975	21.47	56	2.90	GF127								80	3399	18.36	55	3.00	GFF127																																																																																																																																																																																																																																																																																																																																																																									
177	947	8.29	10	1.55	GFF87																																																																																																																																																																																																																																																																																																																																																																																																																																																																																																																																																																																																																																																																																																																																																																																																																																																																																																																																												
200	839	7.35	10	1.75			86	2325	17.12	9.4	1.20																																																																																																																																																																																																																																																																																																																																																																																																																																																																																																																																																																																																																																																																																																																																																																																																																																																																																																																																						
221	759	6.65	10	1.90			95	2102	15.48	10	1.35																																																																																																																																																																																																																																																																																																																																																																																																																																																																																																																																																																																																																																																																																																																																																																																																																																																																																																																																						
261	643	5.63	10	2.20			112	1781	13.12	10	1.60	GFA87	4P																																																																																																																																																																																																																																																																																																																																																																																																																																																																																																																																																																																																																																																																																																																																																																																																																																																																																																																																				
299	562	4.92	10	2.60			128	1556	11.46	10	1.85	GFAF87																																																																																																																																																																																																																																																																																																																																																																																																																																																																																																																																																																																																																																																																																																																																																																																																																																																																																																																																					
357	470	4.12	9.4	2.90			153	1301	9.58	10	2.10	GF87																																																																																																																																																																																																																																																																																																																																																																																																																																																																																																																																																																																																																																																																																																																																																																																																																																																																																																																																					
							177	1126	8.29	10	1.30	GFF87																																																																																																																																																																																																																																																																																																																																																																																																																																																																																																																																																																																																																																																																																																																																																																																																																																																																																																																																					
							200	998	7.35	10	1.45																																																																																																																																																																																																																																																																																																																																																																																																																																																																																																																																																																																																																																																																																																																																																																																																																																																																																																																																						
							221	903	6.65	10	1.60																																																																																																																																																																																																																																																																																																																																																																																																																																																																																																																																																																																																																																																																																																																																																																																																																																																																																																																																						
							261	764	5.63	9.4	1.90																																																																																																																																																																																																																																																																																																																																																																																																																																																																																																																																																																																																																																																																																																																																																																																																																																																																																																																																						
							299	668	4.92	9.3	2.20																																																																																																																																																																																																																																																																																																																																																																																																																																																																																																																																																																																																																																																																																																																																																																																																																																																																																																																																						
							357	559	4.12	9.0	2.50																																																																																																																																																																																																																																																																																																																																																																																																																																																																																																																																																																																																																																																																																																																																																																																																																																																																																																																																						
22kW							30kW																																																																																																																																																																																																																																																																																																																																																																																																																																																																																																																																																																																																																																																																																																																																																																																																																																																																																																																																										
10	19826	96.35	86	0.85	GFA157	6P	14	19960	107.80	85	0.85																																																																																																																																																																																																																																																																																																																																																																																																																																																																																																																																																																																																																																																																																																																																																																																																																																																																																																																																						
12	16959	82.42	94	0.95	GFAF157		13	15677	76.19	98	1.05	GF157	15	13710	66.63	102	1.20	GFF157	10	19262	141.86	88	0.90			15	17839	96.35	92	0.95			12	16222	119.47	95	1.00			18	15260	82.42	92	1.10			14	14637	107.80	101	1.15			19	14107	76.19	91	1.20	GFA157	4P	15	13082	96.35	102	1.30			22	12337	66.63	90	1.35	GFAF157	18	11191	82.42	100	1.45	GFA157	19	10345	76.19	99	1.60	GFAF157	22	9047	66.63	97	1.85	GF157	4P	26	10552	56.99	89	1.55	GF157	4P	26	7738	56.99	95	2.10	GFF157	29	6874	50.63	92	2.40		29	9374	50.63	87	1.75	GFF157	32	6145	45.26	90	2.70		32	8380	45.26	85	2.00			37	5343	39.35	87	3.10			37	7286	39.35	83	2.30			46	4335	31.93	83	3.90			46	5912	31.93	83	2.80			15	13514	99.53	73	0.85			20	13781	74.43	63	0.80			17	11890	87.57	72	0.95			21	12990	70.16	63	0.90			20	10106	74.43	72	1.10			23	11842	63.96	64	0.95	GFA127	4P	21	9526	70.16	72	1.20	GFA127	23	8684	63.96	71	1.30	GFAF127	26	7571	55.76	70	1.50	GF127	30	6661	49.06	69	1.70	GFF127		26	10324	55.76	63	1.10	GFAF127	4P	35	5662	41.70	67	2.00			30	9084	49.06	63	1.25	GF127	40	4987	36.73	67	2.30			35	7721	41.70	62	1.45	GFF127	46	4322	31.83	67	2.60			40	6801	36.73	61	1.65			55	3605	26.55	67	3.00			46	5893	31.83	60	1.95										58	4688	25.32	58	2.40										55	4916	26.55	59	1.60	GFA127	4P								60	4546	24.55	58	1.80	GFAF127								68	3975	21.47	56	2.90	GF127								80	3399	18.36	55	3.00	GFF127																																																																																																																																																																																																																																																																																																																																																																																																																																																																																																																																																																																
13	15677	76.19	98	1.05	GF157		15	13710	66.63	102	1.20	GFF157	10	19262	141.86	88	0.90			15	17839	96.35	92	0.95			12	16222	119.47	95	1.00			18	15260	82.42	92	1.10			14	14637	107.80	101	1.15			19	14107	76.19	91	1.20	GFA157	4P	15	13082	96.35	102	1.30				22	12337	66.63	90	1.35	GFAF157	18	11191	82.42	100	1.45	GFA157	19	10345	76.19	99	1.60	GFAF157	22	9047	66.63	97	1.85	GF157	4P	26	10552	56.99	89		1.55	GF157	4P	26	7738	56.99		95	2.10	GFF157	29	6874	50.63	92	2.40		29	9374	50.63	87	1.75	GFF157	32	6145	45.26	90	2.70		32	8380	45.26	85	2.00			37	5343	39.35	87	3.10			37	7286	39.35	83	2.30			46	4335	31.93	83	3.90			46	5912	31.93	83	2.80			15	13514	99.53	73	0.85			20	13781	74.43	63	0.80			17	11890	87.57	72	0.95			21	12990	70.16	63	0.90			20	10106	74.43	72	1.10			23	11842	63.96	64	0.95	GFA127	4P	21	9526		70.16	72	1.20	GFA127	23	8684	63.96	71	1.30	GFAF127	26	7571	55.76	70	1.50	GF127	30	6661	49.06	69	1.70	GFF127		26	10324	55.76	63	1.10	GFAF127	4P	35		5662	41.70	67	2.00			30	9084	49.06	63	1.25	GF127	40	4987	36.73	67	2.30			35	7721	41.70	62	1.45	GFF127	46	4322	31.83	67	2.60			40	6801	36.73	61	1.65			55	3605	26.55	67	3.00			46	5893	31.83	60	1.95										58	4688	25.32	58	2.40										55	4916	26.55	59	1.60	GFA127	4P									60	4546	24.55	58	1.80	GFAF127								68	3975	21.47	56	2.90	GF127								80	3399	18.36	55	3.00	GFF127																																																																																																																																																																																																																																																																																																																																																																																																																																																																																																																																																																																
15	13710	66.63	102	1.20	GFF157																																																																																																																																																																																																																																																																																																																																																																																																																																																																																																																																																																																																																																																																																																																																																																																																																																																																																																																																												
10	19262	141.86	88	0.90			15	17839	96.35	92	0.95																																																																																																																																																																																																																																																																																																																																																																																																																																																																																																																																																																																																																																																																																																																																																																																																																																																																																																																																						
12	16222	119.47	95	1.00			18	15260	82.42	92	1.10																																																																																																																																																																																																																																																																																																																																																																																																																																																																																																																																																																																																																																																																																																																																																																																																																																																																																																																																						
14	14637	107.80	101	1.15			19	14107	76.19	91	1.20	GFA157	4P																																																																																																																																																																																																																																																																																																																																																																																																																																																																																																																																																																																																																																																																																																																																																																																																																																																																																																																																				
15	13082	96.35	102	1.30			22	12337	66.63	90	1.35	GFAF157																																																																																																																																																																																																																																																																																																																																																																																																																																																																																																																																																																																																																																																																																																																																																																																																																																																																																																																																					
18	11191	82.42	100	1.45	GFA157	19	10345	76.19	99	1.60	GFAF157	22		9047	66.63	97	1.85	GF157	4P	26	10552	56.99	89	1.55	GF157	4P	26	7738	56.99	95	2.10	GFF157	29	6874	50.63	92	2.40		29	9374	50.63	87	1.75	GFF157	32	6145	45.26	90	2.70		32	8380	45.26	85	2.00			37	5343	39.35	87	3.10			37	7286	39.35	83	2.30			46	4335	31.93	83	3.90			46	5912	31.93	83	2.80			15	13514	99.53	73	0.85			20	13781	74.43	63	0.80			17	11890	87.57	72	0.95			21	12990	70.16	63	0.90			20	10106	74.43	72	1.10			23	11842	63.96	64	0.95	GFA127	4P	21	9526	70.16	72	1.20	GFA127	23	8684	63.96	71	1.30	GFAF127	26	7571	55.76	70	1.50	GF127	30	6661	49.06	69	1.70	GFF127		26	10324	55.76	63	1.10	GFAF127	4P	35	5662	41.70	67	2.00			30	9084	49.06	63	1.25	GF127	40	4987	36.73	67	2.30			35	7721	41.70	62	1.45	GFF127	46	4322	31.83	67	2.60			40	6801	36.73	61	1.65			55	3605	26.55	67	3.00			46	5893	31.83	60	1.95										58	4688	25.32	58	2.40										55	4916	26.55	59	1.60	GFA127	4P								60	4546	24.55	58	1.80	GFAF127								68	3975	21.47	56	2.90	GF127								80	3399	18.36	55	3.00	GFF127																																																																																																																																																																																																																																																																																																																																																																																																																																																																																																																																																																																																																																																									
19	10345	76.19	99	1.60	GFAF157																																																																																																																																																																																																																																																																																																																																																																																																																																																																																																																																																																																																																																																																																																																																																																																																																																																																																																																																												
22	9047	66.63	97	1.85	GF157	4P	26	10552	56.99	89	1.55	GF157	4P																																																																																																																																																																																																																																																																																																																																																																																																																																																																																																																																																																																																																																																																																																																																																																																																																																																																																																																																				
26	7738	56.99	95	2.10	GFF157		29	6874	50.63	92	2.40			29	9374	50.63	87	1.75		GFF157	32	6145	45.26	90	2.70			32	8380	45.26	85	2.00			37	5343	39.35	87	3.10			37	7286	39.35	83	2.30			46	4335	31.93	83	3.90			46	5912	31.93	83	2.80			15	13514	99.53	73	0.85			20	13781	74.43	63	0.80			17	11890	87.57	72	0.95			21	12990	70.16	63	0.90			20	10106	74.43	72	1.10			23	11842	63.96	64	0.95	GFA127	4P	21	9526	70.16	72	1.20	GFA127	23	8684	63.96	71	1.30	GFAF127	26	7571	55.76	70	1.50	GF127	30	6661	49.06	69		1.70	GFF127		26	10324	55.76	63	1.10	GFAF127	4P	35	5662	41.70	67	2.00			30	9084	49.06	63	1.25	GF127	40	4987	36.73	67	2.30			35		7721	41.70	62	1.45	GFF127	46	4322	31.83	67	2.60			40	6801	36.73	61	1.65			55	3605	26.55	67	3.00			46	5893	31.83	60	1.95										58	4688	25.32	58	2.40										55	4916	26.55	59	1.60	GFA127	4P								60	4546	24.55	58	1.80	GFAF127									68	3975	21.47	56	2.90	GF127								80	3399	18.36	55	3.00	GFF127																																																																																																																																																																																																																																																																																																																																																																																																																																																																																																																																																																																																																																																																													
29	6874	50.63	92	2.40			29	9374	50.63	87	1.75	GFF157																																																																																																																																																																																																																																																																																																																																																																																																																																																																																																																																																																																																																																																																																																																																																																																																																																																																																																																																					
32	6145	45.26	90	2.70			32	8380	45.26	85	2.00																																																																																																																																																																																																																																																																																																																																																																																																																																																																																																																																																																																																																																																																																																																																																																																																																																																																																																																																						
37	5343	39.35	87	3.10			37	7286	39.35	83	2.30																																																																																																																																																																																																																																																																																																																																																																																																																																																																																																																																																																																																																																																																																																																																																																																																																																																																																																																																						
46	4335	31.93	83	3.90			46	5912	31.93	83	2.80																																																																																																																																																																																																																																																																																																																																																																																																																																																																																																																																																																																																																																																																																																																																																																																																																																																																																																																																						
15	13514	99.53	73	0.85			20	13781	74.43	63	0.80																																																																																																																																																																																																																																																																																																																																																																																																																																																																																																																																																																																																																																																																																																																																																																																																																																																																																																																																						
17	11890	87.57	72	0.95			21	12990	70.16	63	0.90																																																																																																																																																																																																																																																																																																																																																																																																																																																																																																																																																																																																																																																																																																																																																																																																																																																																																																																																						
20	10106	74.43	72	1.10			23	11842	63.96	64	0.95	GFA127	4P																																																																																																																																																																																																																																																																																																																																																																																																																																																																																																																																																																																																																																																																																																																																																																																																																																																																																																																																				
21	9526	70.16	72	1.20	GFA127	23	8684	63.96	71	1.30	GFAF127	26		7571	55.76	70	1.50	GF127	30	6661	49.06	69	1.70	GFF127		26	10324	55.76	63	1.10	GFAF127	4P	35	5662	41.70	67	2.00			30	9084	49.06	63	1.25	GF127	40	4987	36.73	67	2.30			35	7721	41.70	62	1.45	GFF127	46	4322	31.83	67	2.60			40	6801	36.73	61	1.65			55	3605	26.55	67	3.00			46	5893	31.83	60	1.95										58	4688	25.32	58	2.40										55	4916	26.55	59	1.60	GFA127	4P								60	4546	24.55	58	1.80	GFAF127								68	3975	21.47	56	2.90	GF127								80	3399	18.36	55	3.00	GFF127																																																																																																																																																																																																																																																																																																																																																																																																																																																																																																																																																																																																																																																																																																																																																																																								
23	8684	63.96	71	1.30	GFAF127	26	7571	55.76	70	1.50	GF127	30		6661	49.06	69	1.70	GFF127		26	10324	55.76	63	1.10	GFAF127	4P	35	5662	41.70	67	2.00				30	9084	49.06	63	1.25	GF127	40	4987	36.73	67	2.30			35	7721	41.70	62	1.45	GFF127	46	4322	31.83	67	2.60			40	6801	36.73	61	1.65			55	3605	26.55	67	3.00			46	5893	31.83	60	1.95										58	4688	25.32	58	2.40										55	4916	26.55	59	1.60	GFA127	4P									60	4546	24.55	58	1.80	GFAF127								68	3975	21.47	56	2.90	GF127								80	3399	18.36	55	3.00	GFF127																																																																																																																																																																																																																																																																																																																																																																																																																																																																																																																																																																																																																																																																																																																																																																																												
26	7571	55.76	70	1.50	GF127																																																																																																																																																																																																																																																																																																																																																																																																																																																																																																																																																																																																																																																																																																																																																																																																																																																																																																																																												
30	6661	49.06	69	1.70	GFF127		26	10324	55.76	63	1.10	GFAF127	4P																																																																																																																																																																																																																																																																																																																																																																																																																																																																																																																																																																																																																																																																																																																																																																																																																																																																																																																																				
35	5662	41.70	67	2.00			30	9084	49.06	63	1.25	GF127																																																																																																																																																																																																																																																																																																																																																																																																																																																																																																																																																																																																																																																																																																																																																																																																																																																																																																																																					
40	4987	36.73	67	2.30			35	7721	41.70	62	1.45	GFF127																																																																																																																																																																																																																																																																																																																																																																																																																																																																																																																																																																																																																																																																																																																																																																																																																																																																																																																																					
46	4322	31.83	67	2.60			40	6801	36.73	61	1.65																																																																																																																																																																																																																																																																																																																																																																																																																																																																																																																																																																																																																																																																																																																																																																																																																																																																																																																																						
55	3605	26.55	67	3.00			46	5893	31.83	60	1.95																																																																																																																																																																																																																																																																																																																																																																																																																																																																																																																																																																																																																																																																																																																																																																																																																																																																																																																																						
							58	4688	25.32	58	2.40																																																																																																																																																																																																																																																																																																																																																																																																																																																																																																																																																																																																																																																																																																																																																																																																																																																																																																																																						
							55	4916	26.55	59	1.60	GFA127	4P																																																																																																																																																																																																																																																																																																																																																																																																																																																																																																																																																																																																																																																																																																																																																																																																																																																																																																																																				
							60	4546	24.55	58	1.80	GFAF127																																																																																																																																																																																																																																																																																																																																																																																																																																																																																																																																																																																																																																																																																																																																																																																																																																																																																																																																					
							68	3975	21.47	56	2.90	GF127																																																																																																																																																																																																																																																																																																																																																																																																																																																																																																																																																																																																																																																																																																																																																																																																																																																																																																																																					
							80	3399	18.36	55	3.00	GFF127																																																																																																																																																																																																																																																																																																																																																																																																																																																																																																																																																																																																																																																																																																																																																																																																																																																																																																																																					

选型参数表
(恒功率)

Selection Table
(Constant Power)

n_a [r/min]	M_a [Nm]	i	F_{ra} [kN]	f_B	机型号 Type size	极数 Pole	n_a [r/min]	M_a [Nm]	i	F_{ra} [kN]	f_B	机型号 Type size	极数 Pole																																																																																																																																																																																																																																																																																																																																																																																																																																																																																																																																																	
30kW							45kW																																																																																																																																																																																																																																																																																																																																																																																																																																																																																																																																																							
34	8013	43.28	37	0.90	GFA107	4P	22	18380	66.63	77	0.90	GFA157 GFAF157 GF157 GFF157	4P																																																																																																																																																																																																																																																																																																																																																																																																																																																																																																																																																	
39	6986	37.73	38	1.05	GFAF107		46	5921	31.98	38	1.25			GF107						GFF107	53	5158	27.86	38	1.45	GFA107 GFAF107 GF107 GFF107	58	4703	25.40	37	1.60	66	4099	22.14	37	1.85	75	3607	19.48	36	2.10	89	3066	16.56	36	2.40	101	2700	14.58	35	2.70	116	2340	12.64	34	2.90	146	1861	10.05	33	3.30	66	4094	22.11	14	1.00	GFA97 GFAF97 GF97 GFF97	30	13533	49.06	52	0.85	GFA127 GFAF127 GF127 GFF127	4P	73	3716	20.07	15	1.10	85	3194	17.25	15	1.30	98	2788	15.06	15	1.45	115	2364	12.77	16	1.75	132	2066	11.16	16	1.90	162	1677	9.06	15	1.35	179	1522	8.22	15	1.45	208	1309	7.07	14	1.70	238	1142	6.17	14	1.85	281	968	5.23	14	2.10	322	846	4.57	14	2.30	37kW							55kW							18	18694	82.42	84	0.85	GFA157 GFAF157 GF157 GFF157	4P	53	7685	27.86	31	0.95	GFA107 GFAF107 GF107 GFF107	4P	19	17281	76.19	84	0.95	22	15113	66.63	84	1.10	26	12926	56.99	83	1.25	29	11484	50.63	82	1.45	33	10266	45.26	81	1.60	38	8925	39.35	80	1.85	46	7242	31.93	77	2.30	54	6251	27.56	75	2.70	55	6076	26.79	58	2.80	62	5389	23.76	58	3.20	27	12647	55.76	58	0.90	GFA127 GFAF127 GF127 GFF127	4P	30	11127	49.06	58	1.00	35	9458	41.70	57	1.20	40	8331	36.73	56	1.35	46	7219	31.83	56	1.60	58	5743	25.32	55	1.95	56	6022	26.55	54	1.30	GFA127 GFAF127 GF127 GFF127	4P	60	5568	24.55	53	1.45	69	4870	21.47	52	2.30	81	4164	18.36	51	2.40	91	3699	16.31	49	2.80	102	3307	14.58	47	3.10	117	2876	12.68	45	3.30	144	2334	10.29	44	3.90	169	1985	8.75	34	3.30	189	1774	7.82	34	3.20	53	6319	27.86	34	1.20	GFA107 GFAF107 GF107 GFF107	4P	58	5761	25.40	34	1.30	67	5022	22.14	34	1.50	76	4418	19.48	33	1.70	89	3756	16.56	33	1.95	102	3307	14.58	32	2.20	117	2867	12.64	31	2.40	147	2279	10.05	30	2.70	152	2202	9.71	29	2.10	179	1871	8.25	29	2.40	204	1649	7.27	77	2.60	235	1429	6.30	78	3.10	26	19214	56.99	70	0.85	GFA157 GFAF157 GF157 GFF157	4P	29	17070	50.63	71	0.95	33	15260	45.26	71	1.10	38	13267	39.35	71	1.25	46	10765	31.93	70	1.55	54	9292	27.56	69	1.85	55	9032	26.79	69	1.65	GFA157 GFAF157 GF157 GFF157	4P	62	8011	23.76	68	1.65	70	7158	21.23	67	2.30	79	6322	18.75	66	2.40	88	5641	16.73	64	3.00	105	4757	14.11	48	3.50	40	12384	36.73	49	0.90	GFA127 GFAF127 GF127 GFF127	4P	46	10732	31.83	49	1.10	58	8537	25.32	49	1.35	69	7239	21.47	49	1.60	81	6190	18.36	48	1.65	91	5499	16.31	48	1.90	102	4916	14.58	47	2.10	117	4275	12.68	46	2.20	144	3469	10.29	44	2.60	169	2950	8.75	43	2.20																																																																									
46	5921	31.98	38	1.25	GF107									GFF107	53	5158	27.86	38	1.45	GFA107 GFAF107 GF107 GFF107	58	4703	25.40	37	1.60		66	4099	22.14	37	1.85	75	3607	19.48	36	2.10	89	3066	16.56	36	2.40	101	2700	14.58	35	2.70	116	2340	12.64	34	2.90	146	1861	10.05	33	3.30	66	4094	22.11	14	1.00	GFA97 GFAF97 GF97 GFF97	30	13533	49.06	52		0.85	GFA127 GFAF127 GF127 GFF127	4P	73	3716			20.07	15	1.10	85	3194	17.25	15	1.30	98	2788	15.06	15	1.45	115	2364	12.77	16	1.75	132	2066	11.16	16	1.90	162	1677	9.06	15	1.35	179	1522	8.22	15	1.45	208	1309	7.07	14	1.70	238	1142	6.17	14	1.85	281	968	5.23	14	2.10	322	846	4.57	14	2.30	37kW							55kW							18	18694	82.42	84	0.85	GFA157 GFAF157 GF157 GFF157	4P			53	7685	27.86	31	0.95			GFA107 GFAF107 GF107 GFF107	4P	19	17281	76.19	84	0.95	22	15113	66.63	84	1.10	26	12926	56.99	83	1.25	29	11484	50.63	82	1.45	33	10266	45.26	81	1.60	38	8925	39.35	80	1.85	46	7242	31.93	77	2.30	54	6251	27.56	75	2.70	55	6076	26.79	58	2.80	62	5389	23.76	58	3.20	27	12647	55.76			58	0.90	GFA127 GFAF127 GF127 GFF127	4P	30	11127	49.06	58	1.00	35	9458	41.70	57	1.20	40	8331	36.73	56	1.35	46	7219	31.83	56	1.60	58	5743	25.32	55	1.95	56			6022	26.55	54	1.30	GFA127 GFAF127 GF127 GFF127	4P	60	5568	24.55	53	1.45	69	4870	21.47	52	2.30	81	4164	18.36	51	2.40	91	3699	16.31	49	2.80	102	3307	14.58	47	3.10	117	2876	12.68	45	3.30	144	2334	10.29	44	3.90	169	1985	8.75	34	3.30	189	1774	7.82	34			3.20	53	6319	27.86	34	1.20	GFA107 GFAF107 GF107 GFF107	4P	58	5761	25.40	34	1.30	67	5022	22.14	34	1.50	76	4418	19.48	33	1.70	89	3756	16.56	33	1.95	102	3307	14.58	32	2.20	117	2867	12.64	31	2.40	147	2279	10.05	30	2.70	152	2202	9.71	29	2.10	179	1871	8.25	29	2.40	204	1649	7.27	77	2.60	235	1429			6.30	78	3.10	26	19214	56.99	70	0.85	GFA157 GFAF157 GF157 GFF157	4P	29	17070	50.63	71	0.95	33	15260	45.26	71	1.10	38	13267	39.35	71	1.25	46	10765	31.93	70	1.55			54	9292	27.56	69	1.85	55	9032	26.79	69	1.65	GFA157 GFAF157 GF157 GFF157	4P	62	8011	23.76	68	1.65	70	7158	21.23	67	2.30	79	6322	18.75	66	2.40	88	5641	16.73			64	3.00	105	4757	14.11	48	3.50	40	12384	36.73	49	0.90	GFA127 GFAF127 GF127 GFF127	4P	46	10732	31.83	49	1.10	58	8537	25.32	49	1.35	69	7239	21.47	49	1.60	81	6190	18.36	48	1.65	91	5499	16.31	48	1.90	102	4916	14.58	47	2.10	117	4275	12.68	46	2.20	144	3469	10.29	44	2.60	169	2950	8.75	43	2.20																																																											
					GFF107		53	5158	27.86	38	1.45			GFA107 GFAF107 GF107 GFF107	58	4703	25.40	37	1.60		66	4099	22.14	37	1.85		75	3607	19.48	36	2.10	89	3066	16.56	36	2.40	101	2700	14.58	35	2.70	116	2340	12.64	34	2.90	146	1861	10.05	33	3.30	66	4094	22.11	14	1.00	GFA97 GFAF97 GF97 GFF97	30	13533	49.06	52		0.85	GFA127 GFAF127 GF127 GFF127	4P	73		3716			20.07	15			1.10	85	3194	17.25	15	1.30	98	2788	15.06	15	1.45	115	2364	12.77	16	1.75	132	2066	11.16	16	1.90	162	1677	9.06	15	1.35	179	1522	8.22	15	1.45	208	1309	7.07	14	1.70	238	1142	6.17	14	1.85	281	968	5.23	14	2.10	322	846	4.57	14	2.30	37kW							55kW							18	18694	82.42	84	0.85	GFA157 GFAF157 GF157 GFF157	4P					53	7685	27.86	31	0.95					GFA107 GFAF107 GF107 GFF107	4P	19	17281	76.19	84	0.95	22	15113	66.63	84	1.10	26	12926	56.99	83	1.25	29	11484	50.63	82	1.45	33	10266	45.26	81	1.60	38	8925	39.35	80	1.85	46	7242	31.93	77	2.30	54	6251	27.56	75	2.70	55	6076	26.79	58	2.80	62	5389	23.76	58	3.20	27			12647	55.76			58	0.90	GFA127 GFAF127 GF127 GFF127	4P	30	11127	49.06	58	1.00	35	9458	41.70	57	1.20	40	8331	36.73	56	1.35	46	7219	31.83	56	1.60	58	5743			25.32	55	1.95	56			6022	26.55	54	1.30	GFA127 GFAF127 GF127 GFF127	4P	60	5568	24.55	53	1.45	69	4870	21.47	52	2.30	81	4164	18.36	51	2.40	91	3699	16.31	49	2.80	102	3307	14.58	47	3.10	117	2876	12.68	45	3.30	144	2334	10.29	44	3.90	169	1985	8.75			34	3.30	189	1774	7.82	34			3.20	53	6319	27.86	34	1.20	GFA107 GFAF107 GF107 GFF107	4P	58	5761	25.40	34	1.30	67	5022	22.14	34	1.50	76	4418	19.48	33	1.70	89	3756	16.56	33	1.95	102	3307	14.58	32	2.20	117	2867	12.64	31	2.40	147	2279	10.05	30	2.70	152	2202	9.71	29	2.10	179	1871	8.25	29			2.40	204	1649	7.27	77	2.60	235	1429			6.30	78	3.10	26	19214	56.99	70	0.85	GFA157 GFAF157 GF157 GFF157	4P	29	17070	50.63	71	0.95	33	15260	45.26	71	1.10			38	13267	39.35	71	1.25	46	10765	31.93	70	1.55			54	9292	27.56	69	1.85	55	9032	26.79	69	1.65	GFA157 GFAF157 GF157 GFF157	4P	62	8011	23.76	68	1.65	70			7158	21.23	67	2.30	79	6322	18.75	66	2.40	88	5641	16.73			64	3.00	105	4757	14.11	48	3.50	40	12384	36.73	49	0.90	GFA127 GFAF127 GF127 GFF127	4P	46	10732	31.83	49	1.10	58	8537	25.32	49	1.35	69	7239	21.47	49	1.60	81	6190	18.36	48	1.65	91	5499	16.31	48	1.90	102	4916	14.58	47	2.10	117	4275	12.68	46	2.20	144	3469	10.29	44	2.60	169	2950	8.75	43	2.20																																													
53	5158	27.86	38	1.45	GFA107 GFAF107 GF107 GFF107	58	4703	25.40	37	1.60	66				4099	22.14	37	1.85	75		3607	19.48	36	2.10	89		3066	16.56	36	2.40	101	2700	14.58	35	2.70	116	2340	12.64	34	2.90	146	1861	10.05	33	3.30	66	4094	22.11	14	1.00	GFA97 GFAF97 GF97 GFF97	30	13533	49.06	52	0.85		GFA127 GFAF127 GF127 GFF127	4P	73	3716		20.07			15		1.10			85	3194			17.25	15	1.30	98	2788	15.06	15	1.45	115	2364	12.77	16	1.75	132	2066	11.16	16	1.90	162	1677	9.06	15	1.35	179	1522	8.22	15	1.45	208	1309	7.07	14	1.70	238	1142	6.17	14	1.85	281	968	5.23	14	2.10	322	846	4.57	14	2.30	37kW							55kW							18	18694	82.42	84	0.85	GFA157 GFAF157 GF157 GFF157	4P	53							7685	27.86	31	0.95	GFA107 GFAF107 GF107 GFF107							4P	19	17281	76.19	84	0.95	22	15113	66.63	84	1.10	26	12926	56.99	83	1.25	29	11484	50.63	82	1.45	33	10266	45.26	81	1.60	38	8925	39.35	80	1.85	46	7242	31.93	77	2.30	54	6251	27.56	75	2.70	55	6076	26.79	58	2.80	62	5389	23.76	58	3.20			27	12647			55.76	58			0.90	GFA127 GFAF127 GF127 GFF127	4P	30	11127	49.06	58	1.00	35	9458	41.70	57	1.20	40	8331	36.73	56	1.35	46	7219	31.83	56			1.60	58	5743	25.32			55	1.95	56	6022			26.55	54	1.30	GFA127 GFAF127 GF127 GFF127	4P	60	5568	24.55	53	1.45	69	4870	21.47	52	2.30	81	4164	18.36	51	2.40	91	3699	16.31	49	2.80	102	3307	14.58	47	3.10	117	2876	12.68	45	3.30	144	2334	10.29			44	3.90	169	1985	8.75	34			3.30	189	1774	7.82	34	3.20			53	6319	27.86	34	1.20	GFA107 GFAF107 GF107 GFF107	4P	58	5761	25.40	34	1.30	67	5022	22.14	34	1.50	76	4418	19.48	33	1.70	89	3756	16.56	33	1.95	102	3307	14.58	32	2.20	117	2867	12.64	31	2.40	147	2279	10.05	30	2.70	152	2202			9.71	29	2.10	179	1871	8.25	29	2.40			204	1649	7.27	77	2.60	235	1429	6.30			78	3.10	26	19214	56.99	70	0.85	GFA157 GFAF157 GF157 GFF157	4P	29			17070	50.63	71	0.95	33	15260	45.26	71	1.10	38			13267	39.35	71	1.25	46	10765	31.93	70	1.55	54			9292	27.56	69	1.85	55	9032			26.79	69	1.65	GFA157 GFAF157 GF157 GFF157	4P	62	8011	23.76	68	1.65	70	7158			21.23	67	2.30	79	6322	18.75	66	2.40	88	5641	16.73	64			3.00	105	4757	14.11	48	3.50	40	12384	36.73	49	0.90	GFA127 GFAF127 GF127 GFF127	4P	46	10732	31.83	49	1.10	58	8537	25.32	49	1.35	69	7239	21.47	49	1.60	81	6190	18.36	48	1.65	91	5499	16.31	48	1.90	102	4916	14.58	47	2.10	117	4275	12.68	46	2.20	144	3469	10.29	44	2.60	169	2950	8.75	43	2.20																																
58	4703	25.40	37	1.60		66	4099	22.14	37	1.85	75				3607	19.48	36	2.10	89		3066	16.56	36	2.40	101		2700	14.58	35	2.70	116	2340	12.64	34	2.90	146	1861	10.05	33	3.30	66	4094	22.11	14	1.00	GFA97 GFAF97 GF97 GFF97	30	13533	49.06	52		0.85	GFA127 GFAF127 GF127 GFF127	4P	73	3716				20.07	15		1.10			85		3194			17.25	15			1.30	98	2788	15.06	15	1.45	115	2364	12.77	16	1.75	132	2066	11.16	16	1.90	162	1677	9.06	15	1.35	179	1522	8.22	15	1.45	208	1309	7.07	14	1.70	238	1142	6.17	14	1.85	281	968	5.23	14	2.10	322	846	4.57	14	2.30	37kW							55kW							18	18694	82.42	84	0.85	GFA157 GFAF157 GF157 GFF157	4P			53							7685	27.86	31	0.95									GFA107 GFAF107 GF107 GFF107	4P	19	17281	76.19	84	0.95	22	15113	66.63	84	1.10	26	12926	56.99	83	1.25	29	11484	50.63	82	1.45	33	10266	45.26	81	1.60	38	8925	39.35	80	1.85	46	7242	31.93	77	2.30	54	6251	27.56	75	2.70	55	6076	26.79	58	2.80	62	5389	23.76			58	3.20			27	12647			55.76			58	0.90	GFA127 GFAF127 GF127 GFF127	4P	30	11127	49.06	58	1.00	35	9458	41.70	57	1.20	40	8331	36.73	56	1.35			46	7219	31.83	56			1.60	58	5743	25.32			55	1.95	56			6022	26.55	54	1.30	GFA127 GFAF127 GF127 GFF127	4P	60	5568	24.55	53	1.45	69	4870	21.47	52	2.30	81	4164	18.36	51	2.40	91	3699	16.31	49	2.80	102	3307	14.58	47	3.10	117	2876			12.68	45	3.30	144	2334	10.29			44	3.90	169	1985	8.75	34			3.30	189	1774	7.82	34			3.20	53	6319	27.86	34	1.20	GFA107 GFAF107 GF107 GFF107	4P	58	5761	25.40	34	1.30	67	5022	22.14	34	1.50	76	4418	19.48	33	1.70	89	3756	16.56	33	1.95	102	3307	14.58	32	2.20	117	2867	12.64	31			2.40	147	2279	10.05	30	2.70	152	2202			9.71	29	2.10	179	1871	8.25	29	2.40			204	1649	7.27	77	2.60	235	1429			6.30			78	3.10	26	19214	56.99	70	0.85	GFA157 GFAF157 GF157 GFF157	4P	29			17070	50.63	71	0.95	33	15260	45.26	71	1.10	38			13267	39.35	71	1.25	46	10765			31.93	70	1.55			54	9292	27.56	69	1.85	55	9032			26.79	69	1.65	GFA157 GFAF157 GF157 GFF157	4P	62	8011	23.76	68	1.65	70	7158			21.23	67	2.30	79	6322	18.75	66	2.40	88	5641	16.73			64	3.00	105	4757	14.11	48	3.50	40	12384	36.73	49	0.90	GFA127 GFAF127 GF127 GFF127	4P	46	10732	31.83	49	1.10	58	8537	25.32	49	1.35	69	7239	21.47	49	1.60	81	6190	18.36	48	1.65	91	5499	16.31	48	1.90	102	4916	14.58	47	2.10	117	4275	12.68	46	2.20	144	3469	10.29	44	2.60	169	2950	8.75	43	2.20																		
66	4099	22.14	37	1.85		75	3607	19.48	36	2.10	89		3066		16.56	36	2.40	101	2700		14.58	35	2.70	116	2340		12.64	34	2.90	146	1861	10.05	33	3.30	66	4094	22.11	14	1.00	GFA97 GFAF97 GF97 GFF97	30	13533	49.06	52	0.85		GFA127 GFAF127 GF127 GFF127	4P	73	3716		20.07			15	1.10				85	3194		17.25			15		1.30			98	2788			15.06	15	1.45	115	2364	12.77	16	1.75	132	2066	11.16	16	1.90	162	1677	9.06	15	1.35	179	1522	8.22	15	1.45	208	1309	7.07	14	1.70	238	1142	6.17	14	1.85	281	968	5.23	14	2.10	322	846	4.57	14	2.30	37kW							55kW							18	18694	82.42	84	0.85	GFA157 GFAF157 GF157 GFF157	4P	53					7685							27.86	31	0.95	GFA107 GFAF107 GF107 GFF107											4P	19	17281	76.19	84	0.95	22	15113	66.63	84	1.10	26	12926	56.99	83	1.25	29	11484	50.63	82	1.45	33	10266	45.26	81	1.60	38	8925	39.35	80	1.85	46	7242	31.93	77	2.30	54	6251	27.56	75	2.70	55	6076	26.79	58	2.80	62	5389			23.76	58			3.20	27			12647			55.76	58			0.90	GFA127 GFAF127 GF127 GFF127	4P	30	11127	49.06	58	1.00	35	9458	41.70	57	1.20	40	8331			36.73	56	1.35	46			7219	31.83	56	1.60			58	5743	25.32			55	1.95	56	6022			26.55	54	1.30	GFA127 GFAF127 GF127 GFF127	4P	60	5568	24.55	53	1.45	69	4870	21.47	52	2.30	81	4164	18.36	51	2.40	91	3699	16.31	49	2.80	102	3307			14.58	47	3.10	117	2876	12.68			45	3.30	144	2334	10.29	44			3.90	169	1985	8.75	34			3.30	189	1774	7.82	34	3.20			53	6319	27.86	34	1.20	GFA107 GFAF107 GF107 GFF107	4P	58	5761	25.40	34	1.30	67	5022	22.14	34	1.50	76	4418	19.48	33	1.70	89	3756	16.56	33	1.95	102	3307			14.58	32	2.20	117	2867	12.64	31	2.40			147	2279	10.05	30	2.70	152	2202	9.71			29	2.10	179	1871	8.25	29	2.40			204			1649	7.27	77	2.60	235	1429	6.30			78			3.10	26	19214	56.99	70	0.85	GFA157 GFAF157 GF157 GFF157	4P	29	17070			50.63	71	0.95	33	15260	45.26			71	1.10	38			13267	39.35	71	1.25	46	10765	31.93			70	1.55	54			9292	27.56	69	1.85	55	9032	26.79			69	1.65	GFA157 GFAF157 GF157 GFF157	4P	62	8011	23.76	68	1.65	70	7158			21.23	67	2.30	79	6322	18.75	66	2.40	88	5641	16.73	64			3.00	105	4757	14.11	48	3.50	40	12384	36.73	49	0.90	GFA127 GFAF127 GF127 GFF127	4P	46	10732	31.83	49	1.10	58	8537	25.32	49	1.35	69	7239	21.47	49	1.60	81	6190	18.36	48	1.65	91	5499	16.31	48	1.90	102	4916	14.58	47	2.10	117	4275	12.68	46	2.20	144	3469	10.29	44	2.60	169	2950	8.75	43	2.20					
75	3607	19.48	36	2.10		89	3066	16.56	36	2.40	101		2700		14.58	35	2.70	116	2340		12.64	34	2.90	146	1861	10.05	33	3.30	66	4094	22.11	14	1.00	GFA97 GFAF97 GF97 GFF97	30	13533	49.06	52	0.85		GFA127 GFAF127 GF127 GFF127	4P	73	3716	20.07				15	1.10		85			3194	17.25				15	1.30		98			2788		15.06			15	1.45	115	2364	12.77	16	1.75	132	2066	11.16	16	1.90	162	1677	9.06	15	1.35	179	1522	8.22	15	1.45	208	1309	7.07	14	1.70	238	1142	6.17	14	1.85	281	968	5.23	14	2.10	322	846	4.57	14	2.30	37kW							55kW							18	18694	82.42	84	0.85	GFA157 GFAF157 GF157 GFF157	4P	53	7685	27.86			31					0.95						GFA107 GFAF107 GF107 GFF107	4P	19	17281				76.19									84	0.95	22	15113	66.63	84	1.10	26	12926	56.99	83	1.25	29	11484	50.63	82	1.45	33	10266	45.26	81	1.60	38	8925	39.35	80	1.85	46	7242	31.93	77	2.30	54	6251	27.56	75	2.70	55	6076	26.79	58	2.80	62	5389	23.76	58	3.20		27	12647	55.76			58	0.90			GFA127 GFAF127 GF127 GFF127			4P	30			11127			49.06	58	1.00	35	9458	41.70	57	1.20	40	8331	36.73	56		1.35	46	7219	31.83	56			1.60	58	5743	25.32			55	1.95	56			6022	26.55	54	1.30			GFA127 GFAF127 GF127 GFF127	4P	60			5568	24.55	53	1.45	69	4870	21.47	52	2.30	81	4164	18.36	51	2.40	91	3699	16.31	49	2.80	102	3307	14.58		47	3.10	117	2876	12.68	45	3.30			144	2334	10.29	44	3.90	169			1985	8.75	34	3.30	189			1774	7.82	34	3.20	53	6319			27.86	34	1.20	GFA107 GFAF107 GF107 GFF107	4P			58	5761	25.40	34	1.30	67	5022	22.14	34	1.50	76	4418	19.48	33	1.70	89	3756	16.56	33	1.95	102	3307		14.58	32	2.20	117	2867	12.64	31	2.40	147			2279	10.05	30	2.70	152	2202	9.71	29			2.10	179	1871	8.25	29	2.40	204			1649		7.27	77	2.60	235	1429	6.30	78	3.10			26			19214	56.99	70	0.85	GFA157 GFAF157 GF157 GFF157	4P			29	17070			50.63	71	0.95	33	15260	45.26		71	1.10	38	13267			39.35	71	1.25	46	10765	31.93	70			1.55	54	9292			27.56	69	1.85	55	9032	26.79	69			1.65	GFA157 GFAF157 GF157 GFF157			4P	62	8011	23.76	68	1.65	70			7158	21.23	67	2.30	79	6322	18.75	66	2.40	88	5641	16.73			64	3.00	105	4757	14.11	48	3.50	40	12384	36.73	49			0.90	GFA127 GFAF127 GF127 GFF127	4P	46	10732	31.83	49	1.10	58	8537	25.32	49	1.35	69	7239	21.47	49	1.60	81	6190	18.36	48	1.65	91	5499	16.31	48	1.90	102	4916	14.58	47	2.10	117	4275	12.68	46	2.20	144	3469	10.29	44	2.60	169	2950	8.75	43	2.20		
89	3066	16.56	36	2.40		101	2700	14.58	35	2.70	116		2340		12.64	34	2.90	146	1861	10.05	33	3.30	66	4094	22.11	14	1.00	GFA97 GFAF97 GF97 GFF97	30	13533	49.06	52	0.85		GFA127 GFAF127 GF127 GFF127	4P	73	3716	20.07				15	1.10	85				3194	17.25		15			1.30	98				2788	15.06		15			1.45		115	2364	12.77	16	1.75	132	2066	11.16	16	1.90	162	1677	9.06	15	1.35	179	1522	8.22	15	1.45	208	1309	7.07	14	1.70	238	1142	6.17	14	1.85	281	968	5.23	14	2.10	322	846	4.57	14	2.30	37kW							55kW							18	18694	82.42	84	0.85	GFA157 GFAF157 GF157 GFF157	4P	53	7685	27.86			31	0.95	GFA107 GFAF107 GF107 GFF107			4P					19				17281				76.19	84				0.95		22							15113	66.63	84	1.10	26	12926	56.99	83	1.25	29	11484	50.63	82	1.45	33	10266	45.26	81	1.60	38	8925	39.35	80	1.85	46	7242	31.93	77	2.30	54	6251	27.56	75	2.70	55	6076	26.79	58	2.80	62	5389	23.76	58	3.20	27	12647	55.76		58	0.90	GFA127 GFAF127 GF127 GFF127		4P	30	11127							49.06			58			1.00	35	9458	41.70	57	1.20	40	8331	36.73	56	1.35	46		7219	31.83	56	1.60	58		5743	25.32	55	1.95	56			6022	26.55	54			1.30	GFA127 GFAF127 GF127 GFF127	4P	60					5568			24.55	53	1.45	69	4870	21.47	52	2.30	81	4164	18.36	51	2.40	91	3699	16.31	49	2.80	102	3307	14.58	47		3.10	117	2876	12.68	45	3.30	144		2334	10.29	44	3.90	169	1985	8.75			34	3.30	189	1774	7.82			34	3.20	53	6319	27.86	34			1.20	GFA107 GFAF107 GF107 GFF107	4P					58	5761	25.40	34	1.30	67	5022	22.14	34	1.50	76	4418	19.48	33	1.70	89	3756	16.56	33	1.95	102	3307		14.58	32	2.20	117	2867	12.64	31	2.40	147		2279	10.05	30	2.70	152	2202	9.71	29	2.10			179	1871	8.25	29	2.40	204	1649			7.27		77	2.60	235	1429	6.30	78	3.10	26			19214		56.99	70	0.85	GFA157 GFAF157 GF157 GFF157	4P					29	17070			50.63	71	0.95	33	15260	45.26		71	1.10	38	13267			39.35	71	1.25	46	10765	31.93	70		1.55	54	9292	27.56			69	1.85	55	9032	26.79	69	1.65			GFA157 GFAF157 GF157 GFF157					4P	62	8011	23.76	68	1.65			70	7158	21.23	67	2.30	79	6322	18.75	66	2.40	88	5641			16.73	64	3.00	105	4757	14.11	48	3.50	40	12384	36.73			49			0.90	GFA127 GFAF127 GF127 GFF127	4P	46	10732	31.83	49	1.10	58	8537	25.32	49	1.35	69	7239	21.47	49	1.60	81	6190	18.36	48	1.65	91	5499	16.31	48	1.90	102	4916	14.58	47	2.10	117	4275	12.68	46	2.20	144	3469	10.29	44	2.60	169	2950	8.75	43
101	2700	14.58	35	2.70		116	2340	12.64	34	2.90	146		1861	10.05	33	3.30	66	4094	22.11	14	1.00	GFA97 GFAF97 GF97 GFF97	30	13533	49.06	52	0.85		GFA127 GFAF127 GF127 GFF127	4P	73	3716	20.07				15	1.10	85				3194	17.25	15				1.30	98		2788			15.06	15				1.45	115		2364	12.77	16	1.75		132	2066	11.16	16	1.90	162	1677	9.06	15	1.35	179	1522	8.22	15	1.45	208	1309	7.07	14	1.70	238	1142	6.17	14	1.85	281	968	5.23	14	2.10	322	846	4.57	14	2.30	37kW							55kW							18	18694	82.42	84	0.85	GFA157 GFAF157 GF157 GFF157	4P	53	7685	27.86			31	0.95	GFA107 GFAF107 GF107 GFF107			4P	19									17281		76.19		84				0.95	22				15113		66.63		84					1.10	26	12926	56.99	83	1.25	29	11484	50.63	82	1.45	33	10266	45.26	81	1.60	38	8925	39.35	80	1.85	46	7242	31.93	77	2.30	54	6251	27.56	75	2.70	55	6076	26.79	58	2.80	62	5389	23.76	58	3.20	27	12647	55.76	58	0.90	GFA127 GFAF127 GF127 GFF127		4P	30				11127	49.06		58					1.00			35			9458	41.70	57	1.20	40	8331	36.73	56	1.35	46	7219	31.83		56	1.60	58	5743	25.32		55	1.95	56	6022	26.55		54	1.30	GFA127 GFAF127 GF127 GFF127	4P			60			5568					24.55			53	1.45	69	4870	21.47	52	2.30	81	4164	18.36	51	2.40	91	3699	16.31	49	2.80	102	3307	14.58	47	3.10		117	2876	12.68	45	3.30	144	2334		10.29	44	3.90	169	1985	8.75	34		3.30	189	1774	7.82	34	3.20			53	6319	27.86	34	1.20	GFA107 GFAF107 GF107 GFF107			4P							58	5761	25.40	34	1.30	67	5022	22.14	34	1.50	76	4418	19.48	33	1.70	89	3756	16.56	33	1.95	102	3307		14.58	32	2.20	117	2867	12.64	31	2.40	147		2279	10.05	30	2.70	152	2202	9.71	29	2.10		179	1871	8.25	29	2.40	204	1649	7.27			77		2.60	235	1429	6.30	78	3.10	26	19214			56.99		70	0.85	GFA157 GFAF157 GF157 GFF157							4P	29		17070	50.63	71	0.95	33	15260	45.26		71	1.10	38	13267			39.35	71	1.25	46	10765	31.93	70		1.55	54	9292	27.56			69	1.85	55	9032	26.79	69	1.65		GFA157 GFAF157 GF157 GFF157							4P	62	8011	23.76	68			1.65	70	7158	21.23	67	2.30	79	6322	18.75	66	2.40	88			5641	16.73	64	3.00	105	4757	14.11	48	3.50	40	12384			36.73			49			0.90	GFA127 GFAF127 GF127 GFF127	4P	46	10732	31.83	49	1.10	58	8537	25.32	49	1.35	69	7239	21.47	49	1.60	81	6190	18.36	48	1.65	91	5499	16.31	48	1.90	102	4916	14.58	47	2.10	117	4275	12.68	46	2.20	144	3469	10.29	44	2.60	169
116	2340	12.64	34	2.90	146	1861	10.05	33	3.30	66	4094		22.11	14	1.00	GFA97 GFAF97 GF97 GFF97	30	13533	49.06	52	0.85		GFA127 GFAF127 GF127 GFF127	4P	73	3716	20.07				15	1.10	85				3194	17.25	15				1.30	98	2788				15.06	15		1.45			115	2364		12.77	16	1.75	132		2066	11.16	16	1.90		162	1677	9.06	15	1.35	179	1522	8.22	15	1.45	208	1309	7.07	14	1.70	238	1142	6.17	14	1.85	281	968	5.23	14	2.10	322	846	4.57	14	2.30	37kW							55kW							18	18694	82.42	84	0.85	GFA157 GFAF157 GF157 GFF157	4P	53	7685	27.86			31	0.95	GFA107 GFAF107 GF107 GFF107			4P	19					17281								76.19	84		0.95		22				15113	66.63				84		1.10		26	12926				56.99	83	1.25	29	11484	50.63	82	1.45	33	10266	45.26	81	1.60	38	8925	39.35	80	1.85	46	7242	31.93	77	2.30	54	6251	27.56	75	2.70	55	6076	26.79	58	2.80	62	5389	23.76	58	3.20	27	12647	55.76	58	0.90	GFA127 GFAF127 GF127 GFF127	4P	30				11127				49.06	58		1.00			35		9458			41.70			57	1.20	40	8331	36.73	56	1.35	46	7219	31.83	56	1.60		58	5743	25.32	55	1.95		56	6022	26.55	54	1.30		GFA127 GFAF127 GF127 GFF127	4P				60	5568			24.55					53			1.45	69	4870	21.47	52	2.30	81	4164	18.36	51	2.40	91	3699	16.31	49	2.80	102	3307	14.58	47	3.10	117		2876	12.68	45	3.30	144	2334	10.29		44	3.90	169	1985	8.75	34	3.30		189	1774	7.82	34	3.20	53		6319	27.86	34	1.20	GFA107 GFAF107 GF107 GFF107	4P											58	5761	25.40	34	1.30	67	5022	22.14	34	1.50	76	4418	19.48	33	1.70	89	3756	16.56	33	1.95	102	3307		14.58	32	2.20	117	2867	12.64	31	2.40	147		2279	10.05	30	2.70	152	2202	9.71	29	2.10		179	1871	8.25	29	2.40	204	1649	7.27		77	2.60		235	1429	6.30	78	3.10	26	19214	56.99			70		0.85	GFA157 GFAF157 GF157 GFF157									4P		29	17070	50.63	71	0.95	33	15260		45.26	71	1.10	38		13267	39.35	71	1.25	46	10765	31.93	70		1.55	54	9292	27.56			69	1.85	55	9032	26.79	69	1.65										GFA157 GFAF157 GF157 GFF157	4P	62	8011		23.76	68	1.65	70	7158	21.23	67	2.30	79	6322	18.75	66	2.40			88	5641	16.73	64	3.00	105	4757	14.11	48	3.50	40			12384			36.73			49			0.90	GFA127 GFAF127 GF127 GFF127	4P	46	10732	31.83	49	1.10	58	8537	25.32	49	1.35	69	7239	21.47	49	1.60	81	6190	18.36	48	1.65	91	5499	16.31	48	1.90	102	4916	14.58	47	2.10	117	4275	12.68	46	2.20	144	3469	10.29
146	1861	10.05	33	3.30	66	4094	22.11	14	1.00	GFA97 GFAF97 GF97 GFF97	30		13533	49.06	52		0.85	GFA127 GFAF127 GF127 GFF127	4P	73	3716				20.07	15	1.10				85	3194	17.25				15	1.30	98				2788	15.06	15				1.45	115		2364	12.77	16	1.75	132		2066	11.16	16	1.90		162	1677	9.06	15		1.35	179	1522	8.22	15	1.45	208	1309	7.07	14	1.70	238	1142	6.17	14	1.85	281	968	5.23	14	2.10	322	846	4.57	14	2.30	37kW							55kW							18	18694	82.42	84	0.85	GFA157 GFAF157 GF157 GFF157	4P	53	7685			27.86	31	0.95			GFA107 GFAF107 GF107 GFF107	4P					19					17281						76.19		84	0.95		22		15113				66.63	84				1.10		26		12926	56.99		83		1.25	29	11484	50.63	82	1.45	33	10266	45.26	81	1.60	38	8925	39.35	80	1.85	46	7242	31.93	77	2.30	54	6251	27.56	75	2.70	55	6076	26.79	58	2.80	62	5389	23.76	58	3.20	27	12647	55.76	58	0.90	GFA127 GFAF127 GF127 GFF127	4P			30				11127				49.06	58		1.00			35		9458		41.70	57			1.20	40	8331	36.73	56	1.35	46	7219	31.83	56	1.60	58		5743	25.32	55	1.95	56		6022	26.55	54	1.30	GFA127 GFAF127 GF127 GFF127							4P	60			5568		24.55			53			1.45	69	4870	21.47	52	2.30	81	4164	18.36	51	2.40	91	3699	16.31	49	2.80	102	3307	14.58	47	3.10	117		2876	12.68	45	3.30	144	2334	10.29		44	3.90	169	1985	8.75	34	3.30		189	1774	7.82	34	3.20	53		6319	27.86	34	1.20					GFA107 GFAF107 GF107 GFF107								4P	58	5761	25.40	34	1.30	67	5022	22.14	34	1.50	76	4418	19.48	33	1.70	89	3756	16.56	33	1.95	102		3307	14.58	32	2.20	117	2867	12.64	31	2.40		147	2279	10.05	30	2.70	152	2202	9.71	29		2.10	179	1871	8.25	29	2.40	204	1649		7.27	77		2.60	235	1429	6.30	78	3.10	26	19214		56.99	70		0.85												GFA157 GFAF157 GF157 GFF157	4P	29	17070	50.63	71	0.95		33	15260	45.26	71		1.10	38	13267	39.35	71	1.25	46	10765		31.93	70	1.55	54		9292	27.56	69	1.85	55	9032	26.79	69												1.65	GFA157 GFAF157 GF157 GFF157		4P	62	8011	23.76	68	1.65	70	7158	21.23	67	2.30	79	6322		18.75	66	2.40	88	5641	16.73	64	3.00	105	4757	14.11	48			3.50			40			12384			36.73			49	0.90	GFA127 GFAF127 GF127 GFF127	4P	46	10732	31.83	49	1.10	58	8537	25.32	49	1.35	69	7239	21.47	49	1.60	81	6190	18.36	48	1.65	91	5499	16.31	48	1.90	102	4916	14.58	47	2.10	117	4275	12.68	46
66	4094	22.11	14	1.00	GFA97 GFAF97 GF97 GFF97	30	13533	49.06	52		0.85	GFA127 GFAF127 GF127 GFF127	4P																																																																																																																																																																																																																																																																																																																																																																																																																																																																																																																																																	
73	3716	20.07	15	1.10		85	3194	17.25	15		1.30			98	2788		15.06			15	1.45				115	2364	12.77				16	1.75	132				2066	11.16	16		1.90	162	1677	9.06	15		1.35	179	1522	8.22		15	1.45	208	1309	7.07		14	1.70	238	1142		6.17	14	1.85	281	968	5.23	14	2.10	322	846	4.57	14	2.30	37kW							55kW							18	18694	82.42	84	0.85	GFA157 GFAF157 GF157 GFF157	4P	53	7685	27.86	31	0.95	GFA107 GFAF107 GF107 GFF107	4P	19	17281	76.19	84	0.95	22	15113	66.63	84			1.10	26			12926	56.99	83									1.25			29		11484			50.63			82		1.45	33		10266		45.26	81		1.60	38	8925			39.35	80		1.85		46	7242		31.93	77	2.30	54	6251	27.56	75	2.70	55	6076	26.79	58	2.80	62	5389	23.76	58	3.20	27	12647	55.76	58	0.90	GFA127 GFAF127 GF127 GFF127	4P	30	11127	49.06	58	1.00	35	9458	41.70	57	1.20	40	8331	36.73	56	1.35	46	7219	31.83					56		1.60		58				5743	25.32		55			1.95	56	6022		26.55	54		1.30	GFA127 GFAF127 GF127 GFF127	4P	60	5568	24.55	53	1.45	69	4870	21.47	52	2.30	81	4164	18.36	51	2.40	91		3699	16.31	49	2.80									102			3307		14.58		47	3.10		117	2876	12.68	45	3.30	144	2334	10.29	44	3.90	169	1985	8.75	34	3.30	189	1774	7.82	34	3.20	53	6319	27.86	34	1.20	GFA107 GFAF107 GF107 GFF107	4P	58	5761	25.40	34		1.30	67	5022	22.14	34	1.50	76		4418	19.48	33	1.70	89	3756		16.56	33	1.95	102										3307		14.58		32	2.20	117	2867	12.64	31	2.40	147	2279	10.05	30	2.70	152	2202	9.71	29	2.10	179	1871	8.25	29	2.40	204	1649	7.27	77	2.60	235	1429	6.30	78		3.10	26	19214	56.99	70	0.85	GFA157 GFAF157 GF157 GFF157	4P	29		17070	50.63	71	0.95	33	15260	45.26	71		1.10	38	13267	39.35	71	1.25	46	10765	31.93	70	1.55		54	9292		27.56						69		1.85						55	9032	26.79	69	1.65	GFA157 GFAF157 GF157 GFF157	4P	62	8011	23.76		68	1.65	70	7158	21.23	67	2.30	79		6322	18.75	66	2.40		88	5641	16.73	64	3.00	105	4757	14.11						48	3.50					40				12384	36.73	49	0.90	GFA127 GFAF127 GF127 GFF127	4P	46	10732	31.83	49	1.10	58		8537	25.32	49	1.35	69	7239	21.47	49	1.60	81	6190	18.36		48	1.65		91	5499			16.31			48			1.90	102			4916	14.58	47	2.10	117	4275	12.68	46	2.20	144	3469	10.29	44	2.60	169	2950	8.75	43	2.20															
85	3194	17.25	15	1.30		98	2788	15.06	15		1.45			115	2364		12.77			16	1.75				132	2066	11.16				16	1.90	162		1677	9.06	15	1.35	179		1522	8.22	15	1.45	208		1309	7.07	14	1.70		238	1142	6.17	14	1.85		281	968	5.23	14	2.10	322	846	4.57	14	2.30	37kW							55kW							18	18694	82.42	84	0.85	GFA157 GFAF157 GF157 GFF157	4P	53	7685	27.86	31	0.95	GFA107 GFAF107 GF107 GFF107			4P	19	17281	76.19	84			0.95	22	15113	66.63	84	1.10	26	12926	56.99			83	1.25			29	11484	50.63							82		1.45			33		10266			45.26	81		1.60		38	8925		39.35	80	1.85	46		7242	31.93	77			2.30	54	6251	27.56		75	2.70		55	6076	26.79	58	2.80	62	5389	23.76	58	3.20	27	12647	55.76	58	0.90	GFA127 GFAF127 GF127 GFF127	4P	30	11127	49.06	58	1.00	35			9458	41.70	57	1.20	40	8331	36.73	56	1.35	46	7219	31.83	56	1.60	58	5743	25.32	55					1.95		56		6022		26.55	54	1.30	GFA127 GFAF127 GF127 GFF127		4P			60	5568	24.55		53	1.45		69			4870	21.47	52	2.30	81	4164	18.36	51	2.40	91	3699	16.31	49	2.80	102	3307	14.58	47	3.10	117	2876									12.68		45	3.30		144		2334	10.29		44	3.90	169	1985	8.75	34	3.30	189	1774	7.82	34	3.20	53	6319	27.86	34	1.20	GFA107 GFAF107 GF107 GFF107	4P	58	5761	25.40	34	1.30	67			5022	22.14	34	1.50	76	4418	19.48	33	1.70	89	3756	16.56		33	1.95	102	3307	14.58	32		2.20	117	2867	12.64								31		2.40		147		2279	10.05	30	2.70	152	2202	9.71	29	2.10	179	1871	8.25	29	2.40	204	1649	7.27	77	2.60	235	1429	6.30	78	3.10	26	19214	56.99	70	0.85	GFA157 GFAF157 GF157 GFF157	4P	29	17070	50.63	71	0.95	33	15260			45.26		71	1.10	38	13267	39.35	71	1.25	46		10765	31.93	70	1.55	54	9292	27.56	69	1.85	55	9032		26.79	69	1.65	GFA157 GFAF157 GF157 GFF157				4P		62		8011						23.76	68	1.65	70	7158			21.23	67	2.30		79	6322	18.75	66	2.40	88	5641	16.73	64	3.00	105	4757	14.11		48	3.50	40	12384	36.73	49	0.90	GFA127 GFAF127 GF127 GFF127						4P	46	10732				31.83				49	1.10	58	8537			25.32	49	1.35	69	7239	21.47		49	1.60	81	6190	18.36	48	1.65	91	5499	16.31	48	1.90		102	4916		14.58	47		2.10	117			4275			12.68	46			2.20	144	3469	10.29	44	2.60	169	2950	8.75	43	2.20																							
98	2788	15.06	15	1.45		115	2364	12.77	16		1.75			132	2066		11.16			16	1.90				162	1677	9.06		15	1.35	179	1522	8.22		15	1.45	208	1309	7.07		14	1.70	238	1142	6.17		14	1.85	281	968		5.23	14	2.10	322	846	4.57	14	2.30	37kW							55kW							18	18694	82.42	84	0.85	GFA157 GFAF157 GF157 GFF157	4P	53	7685	27.86	31	0.95	GFA107 GFAF107 GF107 GFF107			4P	19	17281	76.19	84					0.95	22	15113	66.63			84	1.10	26	12926	56.99	83	1.25	29	11484			50.63	82			1.45	33	10266		45.26					81		1.60			38	8925	39.35			80	1.85		46		7242	31.93	77	2.30	54	6251	27.56		75	2.70	55			6076	26.79	58	2.80	62	5389	23.76		58	3.20	27	12647	55.76	58	0.90	GFA127 GFAF127 GF127 GFF127	4P	30	11127	49.06	58	1.00	35			9458	41.70	57	1.20	40	8331			36.73	56	1.35	46	7219	31.83	56	1.60	58	5743	25.32	55	1.95	56	6022	26.55	54	1.30					GFA127 GFAF127 GF127 GFF127		4P	60	5568		24.55	53	1.45		69				4870	21.47	52		2.30	81		4164			18.36	51	2.40	91	3699	16.31	49	2.80	102	3307	14.58	47	3.10	117	2876	12.68	45	3.30	144	2334	10.29		44				3.90			169		1985	8.75		34		3.30	189		1774	7.82	34	3.20	53	6319	27.86	34	1.20	GFA107 GFAF107 GF107 GFF107	4P	58	5761	25.40	34	1.30	67			5022	22.14	34	1.50	76	4418			19.48	33	1.70	89	3756	16.56	33	1.95	102	3307	14.58	32	2.20	117	2867	12.64	31	2.40	147		2279	10.05	30	2.70						152		2202		9.71		29		2.10	179	1871	8.25	29	2.40	204	1649	7.27	77	2.60	235	1429	6.30	78	3.10	26	19214	56.99	70	0.85	GFA157 GFAF157 GF157 GFF157	4P	29	17070	50.63	71	0.95	33			15260	45.26	71	1.10	38	13267	39.35			71	1.25	46	10765	31.93	70	1.55	54	9292	27.56		69	1.85	55	9032	26.79	69	1.65	GFA157 GFAF157 GF157 GFF157	4P	62	8011		23.76	68	1.65							70		7158	21.23		67			2.30	79	6322	18.75	66			2.40	88	5641		16.73	64	3.00	105	4757	14.11	48	3.50	40	12384	36.73	49	0.90		GFA127 GFAF127 GF127 GFF127	4P	46	10732	31.83	49	1.10		58						8537	25.32	49			1.35				69	7239	21.47	49			1.60	81	6190	18.36	48	1.65		91	5499	16.31	48	1.90	102	4916	14.58	47	2.10	117	4275		12.68	46		2.20	144		3469	10.29		44	2.60			169	2950			8.75	43	2.20																															
115	2364	12.77	16	1.75		132	2066	11.16	16		1.90			162	1677		9.06			15	1.35		179	1522	8.22	15	1.45		208	1309	7.07	14	1.70		238	1142	6.17	14	1.85		281	968	5.23	14	2.10		322	846	4.57	14	2.30	37kW							55kW							18	18694	82.42	84	0.85	GFA157 GFAF157 GF157 GFF157	4P	53	7685	27.86	31	0.95	GFA107 GFAF107 GF107 GFF107			4P	19	17281	76.19	84					0.95	22	15113	66.63					84	1.10	26	12926			56.99	83	1.25	29	11484	50.63	82	1.45	33			10266	45.26		81	1.60	38	8925		39.35					80	1.85	46			7242	31.93	77			2.30	54		6251	27.56	75	2.70	55	6076	26.79	58	2.80		62	5389	23.76		58	3.20	27	12647	55.76	58	0.90	GFA127 GFAF127 GF127 GFF127		4P	30	11127	49.06	58	1.00	35			9458	41.70	57	1.20	40	8331			36.73	56	1.35	46	7219	31.83			56	1.60	58	5743	25.32	55	1.95	56	6022	26.55	54	1.30	GFA127 GFAF127 GF127 GFF127	4P	60	5568	24.55	53				1.45				69	4870		21.47	52	2.30		81			4164	18.36	51	2.40		91	3699		16.31			49	2.80	102	3307	14.58	47	3.10	117	2876	12.68	45	3.30	144	2334	10.29	44	3.90	169	1985	8.75	34		3.30		189		1774	7.82		34		3.20	53		6319		27.86	34		1.20	GFA107 GFAF107 GF107 GFF107	4P	58	5761	25.40	34	1.30	67			5022	22.14	34	1.50	76	4418			19.48	33	1.70	89	3756	16.56			33	1.95	102	3307	14.58	32	2.20	117	2867	12.64	31	2.40	147	2279	10.05	30	2.70	152	2202	9.71	29	2.10	179	1871		8.25				29		2.40		204		1649		7.27	77	2.60	235	1429	6.30	78	3.10	26	19214	56.99	70	0.85	GFA157 GFAF157 GF157 GFF157	4P	29	17070	50.63	71	0.95	33			15260	45.26	71	1.10	38	13267			39.35	71	1.25	46	10765	31.93	70			1.55	54	9292	27.56	69	1.85	55	9032	26.79	69	1.65	GFA157 GFAF157 GF157 GFF157	4P	62	8011	23.76	68	1.65			70	7158		21.23	67	2.30							79		6322	18.75	66	2.40			88	5641	16.73	64	3.00			105	4757	14.11	48	3.50	40	12384	36.73	49	0.90	GFA127 GFAF127 GF127 GFF127	4P	46	10732	31.83	49	1.10				58	8537	25.32	49	1.35		69						7239	21.47	49		1.60	81		6190		18.36	48	1.65	91			5499	16.31	48	1.90	102	4916		14.58	47	2.10	117	4275	12.68	46	2.20	144	3469	10.29	44		2.60	169		2950	8.75		43	2.20																																											
132	2066	11.16	16	1.90		162	1677	9.06	15		1.35			179	1522		8.22	15	1.45	208	1309		7.07	14	1.70	238	1142		6.17	14	1.85	281	968		5.23	14	2.10	322	846		4.57	14	2.30	37kW							55kW							18	18694	82.42	84	0.85	GFA157 GFAF157 GF157 GFF157	4P	53	7685	27.86	31	0.95	GFA107 GFAF107 GF107 GFF107			4P	19	17281	76.19	84					0.95	22	15113	66.63					84	1.10	26	12926					56.99	83	1.25	29			11484	50.63	82	1.45	33	10266	45.26	81	1.60		38	8925	39.35		80	1.85	46	7242		31.93		77			2.30	54	6251			27.56	75	2.70			55	6076	26.79	58	2.80	62	5389	23.76	58	3.20	27	12647		55.76	58	0.90		GFA127 GFAF127 GF127 GFF127	4P	30	11127	49.06	58	1.00		35		9458	41.70	57	1.20	40	8331			36.73	56	1.35	46	7219	31.83			56	1.60	58	5743	25.32	55			1.95	56	6022	26.55	54	1.30	GFA127 GFAF127 GF127 GFF127	4P	60	5568	24.55	53			1.45	69	4870	21.47		52		2.30				81	4164		18.36	51	2.40		91			3699	16.31	49	2.80	102	3307	14.58		47			3.10	117	2876	12.68	45	3.30	144	2334	10.29	44	3.90	169	1985	8.75	34	3.30	189	1774	7.82	34	3.20		53		6319		27.86	34	1.20	GFA107 GFAF107 GF107 GFF107		4P	58	5761	25.40		34	1.30		67			5022	22.14	34	1.50	76	4418			19.48	33	1.70	89	3756	16.56			33	1.95	102	3307	14.58	32			2.20	117	2867	12.64	31	2.40	147	2279	10.05	30	2.70	152	2202	9.71	29	2.10	179	1871	8.25	29	2.40	204	1649	7.27		77		2.60		235		1429		6.30		78	3.10	26	19214	56.99	70	0.85	GFA157 GFAF157 GF157 GFF157	4P	29	17070	50.63	71	0.95	33			15260	45.26	71	1.10	38	13267			39.35	71	1.25	46	10765	31.93			70	1.55	54	9292	27.56	69	1.85			55	9032	26.79	69	1.65	GFA157 GFAF157 GF157 GFF157	4P	62	8011	23.76	68			1.65	70	7158	21.23	67			2.30	79	6322	18.75	66	2.40							88		5641	16.73	64	3.00		105	4757	14.11	48	3.50	40			12384	36.73	49	0.90	GFA127 GFAF127 GF127 GFF127	4P	46	10732	31.83	49			1.10	58	8537	25.32	49	1.35			69	7239	21.47	49	1.60		81						6190	18.36	48		1.65	91		5499	16.31	48	1.90	102	4916			14.58	47	2.10	117	4275	12.68	46	2.20	144	3469	10.29	44	2.60	169	2950	8.75	43	2.20																																																					
162	1677	9.06	15	1.35		179	1522	8.22	15		1.45	208	1309	7.07	14		1.70	238	1142	6.17	14		1.85	281	968	5.23	14		2.10	322	846	4.57	14		2.30	37kW							55kW							18	18694	82.42	84	0.85	GFA157 GFAF157 GF157 GFF157	4P	53	7685	27.86	31	0.95	GFA107 GFAF107 GF107 GFF107			4P	19	17281	76.19	84					0.95	22	15113	66.63					84	1.10	26	12926					56.99	83	1.25	29					11484	50.63	82	1.45			33	10266	45.26	81	1.60	38	8925	39.35	80		1.85	46	7242		31.93	77	2.30	54		6251		27.56			75	2.70	55			6076	26.79	58		2.80	62	5389	23.76	58	3.20	27	12647	55.76	58	0.90	GFA127 GFAF127 GF127 GFF127	4P		30	11127	49.06	58			1.00	35	9458	41.70	57		1.20		40	8331	36.73	56	1.35	46			7219	31.83	56	1.60	58	5743			25.32	55	1.95	56	6022	26.55			54	1.30	GFA127 GFAF127 GF127 GFF127	4P	60	5568			24.55	53	1.45	69			4870	21.47	52	2.30		81		4164				18.36	51		2.40	91	3699		16.31			49	2.80	102	3307	14.58	47	3.10	117	2876			12.68	45	3.30	144	2334	10.29	44	3.90	169	1985	8.75	34	3.30	189	1774	7.82	34	3.20	53	6319	27.86		34		1.20		GFA107 GFAF107 GF107 GFF107	4P	58				5761	25.40	34		1.30	67	5022	22.14			34	1.50	76	4418	19.48	33			1.70	89	3756	16.56	33	1.95			102	3307	14.58	32	2.20	117			2867	12.64	31	2.40	147	2279	10.05	30	2.70	152	2202	9.71	29	2.10	179	1871	8.25	29	2.40	204	1649	7.27	77	2.60		235		1429		6.30		78		3.10	26	19214	56.99	70	0.85	GFA157 GFAF157 GF157 GFF157	4P	29			17070	50.63	71	0.95	33	15260			45.26	71	1.10	38	13267	39.35			71	1.25	46	10765	31.93	70			1.55	54	9292	27.56	69	1.85	55			9032	26.79	69	1.65	GFA157 GFAF157 GF157 GFF157			4P	62	8011	23.76			68	1.65	70	7158	21.23			67	2.30	79	6322	18.75	66							2.40	88	5641	16.73	64	3.00		105	4757	14.11	48	3.50	40			12384	36.73	49	0.90			GFA127 GFAF127 GF127 GFF127	4P	46	10732			31.83	49	1.10	58	8537	25.32			49	1.35	69	7239	21.47		49				1.60		81	6190	18.36		48	1.65		91	5499	16.31	48	1.90	102			4916	14.58	47	2.10	117	4275	12.68	46	2.20	144	3469	10.29	44	2.60	169	2950	8.75	43	2.20																																																				
179	1522	8.22	15	1.45		208	1309	7.07	14		1.70	238	1142	6.17	14		1.85	281	968	5.23	14		2.10	322	846	4.57	14		2.30	37kW							55kW							18	18694	82.42	84	0.85	GFA157 GFAF157 GF157 GFF157	4P	53	7685	27.86	31			0.95	GFA107 GFAF107 GF107 GFF107	4P	19	17281					76.19	84	0.95	22					15113	66.63	84	1.10					26	12926	56.99	83					1.25	29	11484	50.63			82		1.45	33	10266	45.26		81	1.60	38	8925	39.35	80	1.85	46	7242	31.93		77	2.30	54		6251	27.56	75	2.70		55		6076			26.79	58	2.80		62	5389	23.76	58		3.20	27	12647	55.76	58	0.90	GFA127 GFAF127 GF127 GFF127	4P	30	11127	49.06			58	1.00	35	9458	41.70			57	1.20	40	8331	36.73		56		1.35	46	7219	31.83	56	1.60			58	5743	25.32	55	1.95	56			6022	26.55	54	1.30	GFA127 GFAF127 GF127 GFF127	4P		60	5568	24.55			53	1.45			69	4870	21.47	52			2.30	81	4164	18.36		51		2.40				91	3699		16.31	49	2.80		102		3307	14.58	47	3.10	117	2876	12.68	45	3.30	144		2334	10.29	44	3.90	169	1985	8.75	34	3.30	189	1774	7.82	34	3.20	53	6319	27.86	34	1.20	GFA107 GFAF107 GF107 GFF107	4P	58		5761		25.40				34				1.30	67	5022	22.14	34	1.50	76	4418			19.48	33	1.70	89	3756	16.56			33	1.95	102	3307	14.58	32			2.20	117	2867	12.64	31	2.40		147	2279	10.05	30	2.70	152	2202	9.71	29	2.10	179	1871	8.25	29	2.40	204	1649	7.27	77	2.60	235	1429	6.30	78	3.10		26		19214		56.99		70	0.85	GFA157 GFAF157 GF157 GFF157	4P	29	17070	50.63	71			0.95			33	15260	45.26	71	1.10	38			13267	39.35	71	1.25	46	10765			31.93	70	1.55	54	9292	27.56			69	1.85	55	9032	26.79	69	1.65		GFA157 GFAF157 GF157 GFF157	4P	62	8011	23.76					68	1.65	70			7158	21.23	67	2.30	79			6322	18.75	66	2.40	88	5641						16.73	64	3.00	105	4757	14.11	48		3.50	40	12384	36.73	49	0.90		GFA127 GFAF127 GF127 GFF127	4P	46	10732	31.83					49	1.10			58	8537	25.32	49	1.35	69			7239	21.47	49	1.60	81		6190			18.36	48		1.65	91	5499		16.31	48		1.90	102	4916	14.58	47	2.10		117	4275	12.68	46	2.20	144	3469	10.29	44	2.60	169	2950	8.75	43	2.20																																																									
208	1309	7.07	14	1.70		238	1142	6.17	14		1.85	281	968	5.23	14		2.10	322	846	4.57	14		2.30	37kW							55kW							18	18694	82.42	84	0.85	GFA157 GFAF157 GF157 GFF157	4P	53	7685	27.86	31			0.95	GFA107 GFAF107 GF107 GFF107	4P	19			17281			76.19	84					0.95	22	15113	66.63					84	1.10	26	12926					56.99	83	1.25	29			11484		50.63	82	1.45	33			10266	45.26	81	1.60	38	8925		39.35	80	1.85	46	7242	31.93	77	2.30	54	6251		27.56	75	2.70		55	6076	26.79	58		2.80		62		5389	23.76	58	3.20		27	12647	55.76	58	0.90	GFA127 GFAF127 GF127 GFF127	4P	30	11127	49.06	58			1.00	35	9458			41.70	57	1.20	40	8331			36.73	56	1.35	46	7219		31.83		56	1.60	58	5743	25.32	55			1.95	56	6022	26.55	54	1.30		GFA127 GFAF127 GF127 GFF127	4P	60	5568	24.55				53	1.45	69			4870	21.47			52	2.30	81	4164			18.36	51	2.40	91		3699		16.31				49	2.80	102	3307	14.58	47		3.10	117	2876	12.68	45	3.30	144	2334	10.29	44	3.90	169		1985	8.75	34	3.30	189	1774	7.82	34	3.20	53	6319	27.86	34	1.20	GFA107 GFAF107 GF107 GFF107	4P	58	5761	25.40			34		1.30		67				5022		22.14		34	1.50	76	4418	19.48	33	1.70	89			3756	16.56	33	1.95	102	3307			14.58	32	2.20	117	2867	12.64		31	2.40	147	2279	10.05	30	2.70		152	2202	9.71	29	2.10	179	1871	8.25	29	2.40	204	1649	7.27	77	2.60	235	1429	6.30	78	3.10	26	19214	56.99	70	0.85		GFA157 GFAF157 GF157 GFF157		4P		29	17070	50.63	71			0.95	33	15260	45.26			71			1.10	38	13267	39.35	71	1.25			46	10765	31.93	70	1.55	54			9292	27.56	69	1.85	55	9032		26.79	69	1.65	GFA157 GFAF157 GF157 GFF157	4P	62	8011	23.76				68	1.65	70					7158	21.23	67			2.30	79	6322	18.75	66			2.40	88	5641	16.73	64	3.00				105	4757	14.11	48	3.50	40	12384	36.73	49		0.90	GFA127 GFAF127 GF127 GFF127	4P	46	10732	31.83				49	1.10	58					8537	25.32			49	1.35	69	7239	21.47	49			1.60	81	6190	18.36	48		1.65		91	5499	16.31	48	1.90	102	4916		14.58	47		2.10	117	4275	12.68	46	2.20		144	3469	10.29	44	2.60	169	2950	8.75	43	2.20																																																														
238	1142	6.17	14	1.85		281	968	5.23	14		2.10	322	846	4.57	14		2.30	37kW							55kW							18	18694	82.42	84	0.85	GFA157 GFAF157 GF157 GFF157	4P	53	7685	27.86	31			0.95	GFA107 GFAF107 GF107 GFF107	4P	19			17281			76.19			84			0.95	22					15113	66.63	84	1.10					26	12926	56.99	83			1.25		29	11484	50.63	82			1.45	33	10266	45.26	81	1.60			38	8925	39.35	80	1.85	46		7242	31.93	77	2.30	54	6251	27.56	75	2.70	55		6076	26.79	58		2.80	62	5389	23.76	58	3.20		27		12647	55.76	58	0.90	GFA127 GFAF127 GF127 GFF127	4P	30	11127	49.06	58			1.00	35	9458	41.70			57	1.20	40			8331	36.73	56	1.35	46			7219	31.83	56	1.60	58		5743		25.32	55	1.95	56	6022	26.55		54	1.30	GFA127 GFAF127 GF127 GFF127	4P	60	5568	24.55				53	1.45	69				4870	21.47	52			2.30	81			4164	18.36	51	2.40			91	3699	16.31	49		2.80		102		3307	14.58	47	3.10	117	2876	12.68	45		3.30	144	2334	10.29	44	3.90	169	1985	8.75	34	3.30	189		1774	7.82	34	3.20	53	6319	27.86	34	1.20	GFA107 GFAF107 GF107 GFF107	4P	58	5761	25.40			34	1.30	67			5022		22.14		34	1.50			76		4418		19.48	33	1.70	89	3756	16.56	33	1.95			102	3307	14.58	32	2.20	117		2867	12.64	31	2.40	147	2279	10.05		30	2.70	152	2202	9.71	29	2.10		179	1871	8.25	29	2.40	204	1649	7.27	77	2.60	235	1429	6.30	78	3.10	26	19214	56.99	70	0.85	GFA157 GFAF157 GF157 GFF157	4P	29	17070	50.63			71			0.95	33	15260	45.26			71	1.10	38	13267			39.35			71	1.25	46	10765	31.93	70			1.55	54	9292	27.56	69	1.85		55	9032	26.79	69	1.65	GFA157 GFAF157 GF157 GFF157	4P		62	8011	23.76			68	1.65	70				7158	21.23	67					2.30	79	6322			18.75	66	2.40	88	5641		16.73	64	3.00	105	4757	14.11	48			3.50	40	12384	36.73	49	0.90	GFA127 GFAF127 GF127 GFF127	4P	46	10732		31.83			49	1.10	58				8537	25.32	49					1.35	69			7239	21.47	49	1.60	81	6190		18.36	48	1.65	91	5499	16.31		48	1.90	102	4916	14.58	47	2.10	117	4275		12.68	46		2.20	144	3469	10.29	44	2.60		169	2950	8.75	43	2.20																																																																			
281	968	5.23	14	2.10		322	846	4.57	14		2.30	37kW							55kW							18	18694	82.42	84	0.85	GFA157 GFAF157 GF157 GFF157	4P	53	7685	27.86	31			0.95	GFA107 GFAF107 GF107 GFF107	4P	19			17281			76.19			84			0.95			22			15113	66.63					84	1.10	26	12926			56.99		83	1.25	29	11484			50.63	82	1.45	33	10266	45.26			81	1.60	38	8925	39.35	80			1.85	46	7242	31.93	77	2.30		54	6251	27.56	75	2.70	55	6076	26.79	58	2.80		62	5389	23.76	58	3.20	27	12647	55.76	58	0.90		GFA127 GFAF127 GF127 GFF127	4P	30	11127	49.06	58			1.00	35	9458	41.70			57	1.20	40	8331			36.73	56	1.35			46	7219	31.83	56	1.60			58	5743	25.32	55	1.95		56	6022	26.55	54	1.30	GFA127 GFAF127 GF127 GFF127	4P	60		5568	24.55			53	1.45	69				4870	21.47	52				2.30	81	4164			18.36	51			2.40	91	3699	16.31		49	2.80	102	3307	14.58		47	3.10	117		2876	12.68	45	3.30	144	2334	10.29	44		3.90	169	1985	8.75	34	3.30	189	1774	7.82	34	3.20	53		6319	27.86	34	1.20	GFA107 GFAF107 GF107 GFF107	4P	58	5761	25.40			34	1.30	67			5022	22.14	34			1.50		76	4418	19.48	33			1.70		89		3756	16.56	33	1.95	102	3307	14.58	32		2.20	117	2867	12.64	31	2.40	147		2279	10.05	30	2.70	152	2202	9.71		29	2.10	179	1871	8.25	29	2.40		204	1649	7.27	77	2.60	235	1429	6.30	78	3.10	26	19214	56.99	70	0.85	GFA157 GFAF157 GF157 GFF157	4P	29	17070	50.63			71	0.95	33	15260		45.26			71	1.10	38	13267			39.35	71	1.25	46			10765			31.93	70	1.55	54	9292	27.56		69	1.85	55	9032	26.79	69	1.65		GFA157 GFAF157 GF157 GFF157	4P	62	8011	23.76				68	1.65	70			7158	21.23	67				2.30	79	6322					18.75	66	2.40		88	5641	16.73	64	3.00	105		4757	14.11	48	3.50	40	12384	36.73		49	0.90	GFA127 GFAF127 GF127 GFF127	4P	46	10732	31.83			49	1.10		58			8537	25.32	49				1.35	69	7239					21.47	49		1.60	81	6190	18.36	48	1.65	91		5499	16.31	48	1.90	102	4916		14.58	47	2.10	117	4275	12.68	46	2.20	144	3469	10.29	44		2.60	169	2950	8.75	43	2.20																																																																									
322	846	4.57	14	2.30		37kW							55kW							18	18694	82.42	84	0.85	GFA157 GFAF157 GF157 GFF157	4P	53	7685	27.86	31			0.95	GFA107 GFAF107 GF107 GFF107	4P	19			17281			76.19			84			0.95			22			15113			66.63			84	1.10			26		12926	56.99	83	1.25			29	11484	50.63	82	1.45	33			10266	45.26	81	1.60	38	8925			39.35	80	1.85	46	7242	31.93			77	2.30	54	6251	27.56	75		2.70	55	6076	26.79	58	2.80	62	5389	23.76	58	3.20	27	12647	55.76	58	0.90	GFA127 GFAF127 GF127 GFF127	4P	30	11127	49.06	58			1.00	35	9458	41.70			57	1.20	40	8331			36.73	56	1.35	46			7219	31.83	56			1.60	58	5743	25.32	55		1.95	56	6022	26.55	54	1.30		GFA127 GFAF127 GF127 GFF127	4P	60	5568	24.55			53		1.45	69			4870	21.47	52				2.30	81	4164				18.36	51	2.40			91	3699		16.31	49	2.80	102	3307		14.58	47	3.10	117	2876	12.68	45	3.30	144		2334	10.29	44	3.90	169	1985	8.75	34		3.30	189	1774	7.82	34	3.20	53	6319	27.86	34	1.20	GFA107 GFAF107 GF107 GFF107		4P	58	5761	25.40			34	1.30	67			5022	22.14	34			1.50	76	4418			19.48	33	1.70	89	3756	16.56			33		1.95	102	3307	14.58	32	2.20	117	2867	12.64	31		2.40	147	2279	10.05	30	2.70	152		2202	9.71	29	2.10	179	1871	8.25		29	2.40	204	1649	7.27	77	2.60		235	1429	6.30	78	3.10	26	19214	56.99	70	0.85	GFA157 GFAF157 GF157 GFF157	4P	29	17070	50.63			71	0.95	33			15260	45.26	71	1.10		38		13267	39.35	71	1.25	46			10765	31.93	70	1.55			54		9292	27.56	69	1.85	55	9032	26.79		69	1.65	GFA157 GFAF157 GF157 GFF157	4P	62	8011	23.76				68	1.65	70				7158	21.23	67			2.30	79	6322				18.75	66	2.40			88		5641	16.73	64		3.00	105	4757	14.11	48	3.50		40	12384	36.73	49	0.90	GFA127 GFAF127 GF127 GFF127	4P		46	10732			31.83	49	1.10			58	8537	25.32	49			1.35	69	7239				21.47	49	1.60		81			6190	18.36		48	1.65	91	5499	16.31	48	1.90		102	4916	14.58	47	2.10	117		4275	12.68	46	2.20	144	3469	10.29	44	2.60	169	2950	8.75	43	2.20																																																																														
37kW							55kW																																																																																																																																																																																																																																																																																																																																																																																																																																																																																																																																																							
18	18694	82.42	84	0.85	GFA157 GFAF157 GF157 GFF157	4P	53	7685	27.86	31	0.95	GFA107 GFAF107 GF107 GFF107	4P																																																																																																																																																																																																																																																																																																																																																																																																																																																																																																																																																	
19	17281	76.19	84	0.95			22	15113	66.63	84	1.10			26	12926	56.99	83	1.25	29	11484	50.63	82	1.45	33			10266	45.26	81	1.60			38			8925			39.35			80		1.85	46			7242		31.93	77		2.30	54		6251	27.56		75	2.70	55			6076	26.79	58	2.80	62	5389			23.76	58	3.20	27	12647	55.76			58	0.90	GFA127 GFAF127 GF127 GFF127	4P	30	11127		49.06	58	1.00	35	9458	41.70	57	1.20	40	8331	36.73	56	1.35	46	7219	31.83	56	1.60	58	5743	25.32	55	1.95	56	6022	26.55	54	1.30	GFA127 GFAF127 GF127 GFF127	4P	60	5568			24.55	53	1.45	69			4870	21.47	52	2.30			81	4164	18.36	51		2.40	91	3699	16.31	49		2.80	102	3307	14.58		47	3.10	117	2876	12.68	45		3.30	144	2334	10.29	44	3.90				169	1985	8.75			34		3.30	189			1774	7.82	34	3.20		53	6319	27.86	34		1.20	GFA107 GFAF107 GF107 GFF107	4P	58	5761		25.40	34	1.30		67	5022	22.14	34	1.50		76	4418	19.48	33	1.70	89	3756	16.56	33		1.95	102	3307	14.58	32	2.20	117	2867	12.64	31	2.40	147	2279	10.05	30	2.70	152	2202	9.71	29		2.10		179	1871	8.25			29	2.40	204			1649	7.27	77		2.60	235	1429	6.30		78	3.10	26	19214	56.99	70	0.85		GFA157 GFAF157 GF157 GFF157	4P		29	17070	50.63	71	0.95	33	15260	45.26	71	1.10		38	13267	39.35	71	1.25	46	10765		31.93	70	1.55	54	9292	27.56	69	1.85	55	9032	26.79	69	1.65	GFA157 GFAF157 GF157 GFF157	4P	62	8011	23.76	68	1.65	70	7158	21.23	67	2.30	79			6322	18.75	66			2.40	88	5641			16.73	64	3.00	105		4757	14.11	48	3.50	40	12384	36.73		49	0.90	GFA127 GFAF127 GF127 GFF127	4P	46		10732	31.83		49	1.10	58	8537	25.32	49	1.35		69	7239			21.47	49	1.60				81	6190	18.36			48	1.65	91	5499		16.31	48	1.90	102	4916		14.58	47	2.10	117			4275	12.68	46	2.20	144		3469	10.29	44	2.60	169	2950		8.75	43	2.20																																																																																																																																															
22	15113	66.63	84	1.10			26	12926	56.99	83	1.25			29	11484	50.63	82	1.45	33	10266	45.26	81	1.60	38			8925	39.35	80	1.85			46			7242		31.93	77			2.30		54	6251		27.56	75		2.70	55		6076	26.79		58	2.80		62	5389	23.76			58	3.20	27	12647	55.76	58			0.90	GFA127 GFAF127 GF127 GFF127	4P	30	11127	49.06		58	1.00	35			9458	41.70	57	1.20	40	8331	36.73	56	1.35	46	7219	31.83	56	1.60	58	5743	25.32	55	1.95	56	6022	26.55	54	1.30	GFA127 GFAF127 GF127 GFF127	4P	60	5568	24.55	53	1.45			69	4870			21.47	52	2.30	81			4164	18.36	51	2.40		91	3699	16.31	49	2.80		102	3307	14.58	47	3.10		117	2876	12.68	45		3.30	144	2334	10.29	44	3.90		169	1985	8.75	34	3.30	189				1774	7.82	34			3.20	53	6319	27.86		34	1.20	GFA107 GFAF107 GF107 GFF107	4P	58		5761	25.40	34	1.30		67			5022	22.14		34	1.50	76		4418	19.48	33	1.70	89		3756	16.56	33	1.95	102	3307	14.58	32	2.20	117	2867	12.64	31	2.40	147	2279	10.05	30	2.70	152	2202	9.71	29	2.10	179	1871	8.25	29	2.40	204		1649		7.27	77	2.60			235	1429	6.30		78	3.10	26	19214		56.99	70	0.85	GFA157 GFAF157 GF157 GFF157		4P	29	17070	50.63	71	0.95	33					15260	45.26	71	1.10	38	13267	39.35	71	1.25	46		10765	31.93	70	1.55	54	9292	27.56	69	1.85	55	9032	26.79	69	1.65	GFA157 GFAF157 GF157 GFF157	4P	62	8011	23.76	68	1.65			70	7158	21.23	67	2.30	79	6322	18.75	66	2.40	88			5641	16.73	64			3.00	105	4757		14.11	48	3.50	40	12384		36.73	49	0.90	GFA127 GFAF127 GF127 GFF127	4P	46	10732		31.83	49			1.10		58	8537		25.32	49	1.35	69	7239	21.47	49		1.60	81			6190	18.36	48	1.65			91	5499	16.31		48	1.90	102	4916	14.58		47	2.10	117	4275	12.68		46	2.20	144	3469			10.29	44	2.60	169	2950		8.75	43	2.20																																																																																																																																																						
26	12926	56.99	83	1.25			29	11484	50.63	82	1.45			33	10266	45.26	81	1.60	38	8925	39.35	80	1.85	46			7242	31.93	77	2.30		54	6251			27.56		75	2.70		55	6076		26.79	58		2.80	62		5389	23.76		58	3.20		27	12647		55.76	58	0.90			GFA127 GFAF127 GF127 GFF127	4P	30	11127	49.06	58		1.00	35			9458	41.70	57	1.20	40	8331	36.73			56	1.35	46	7219	31.83	56	1.60	58	5743	25.32	55	1.95	56	6022	26.55	54	1.30	GFA127 GFAF127 GF127 GFF127	4P	60	5568	24.55	53	1.45			69	4870	21.47	52	2.30			81	4164			18.36	51	2.40	91		3699	16.31	49	2.80	102		3307	14.58	47	3.10	117		2876	12.68	45	3.30	144		2334	10.29	44	3.90		169	1985	8.75	34	3.30	189		1774	7.82	34	3.20	53	6319	27.86			34	1.20	GFA107 GFAF107 GF107 GFF107		4P	58	5761	25.40	34		1.30	67			5022		22.14	34	1.50	76		4418			19.48	33		1.70	89	3756		16.56	33	1.95	102	3307	14.58	32	2.20	117	2867	12.64	31	2.40	147	2279	10.05	30	2.70	152	2202	9.71	29	2.10	179	1871	8.25	29	2.40	204	1649	7.27	77	2.60	235	1429	6.30		78		3.10	26	19214		56.99	70	0.85	GFA157 GFAF157 GF157 GFF157		4P	29	17070	50.63		71	0.95	33				15260	45.26	71	1.10	38	13267					39.35	71	1.25	46	10765	31.93	70	1.55	54	9292	27.56	69	1.85	55	9032	26.79	69	1.65	GFA157 GFAF157 GF157 GFF157	4P	62	8011	23.76	68	1.65			70	7158	21.23	67	2.30			79	6322	18.75	66	2.40	88	5641	16.73	64	3.00	105			4757	14.11	48		3.50	40	12384	36.73		49	0.90	GFA127 GFAF127 GF127 GFF127	4P	46		10732	31.83	49			1.10	58		8537	25.32			49		1.35	69		7239	21.47	49	1.60	81	6190	18.36	48	1.65	91			5499	16.31	48	1.90		102	4916	14.58	47		2.10	117	4275	12.68	46		2.20	144	3469	10.29	44		2.60	169	2950	8.75			43	2.20																																																																																																																																																													
29	11484	50.63	82	1.45			33	10266	45.26	81	1.60			38	8925	39.35	80	1.85	46	7242	31.93	77	2.30	54		6251	27.56	75	2.70	55		6076	26.79		58	2.80		62	5389		23.76	58		3.20	27		12647	55.76		58	0.90		GFA127 GFAF127 GF127 GFF127	4P		30	11127		49.06	58	1.00		35			9458	41.70	57	1.20	40	8331	36.73			56	1.35	46	7219	31.83	56	1.60			58	5743	25.32	55	1.95	56	6022	26.55	54	1.30	GFA127 GFAF127 GF127 GFF127	4P	60	5568	24.55	53	1.45			69	4870	21.47	52	2.30			81	4164	18.36	51	2.40			91	3699		16.31	49	2.80	102	3307		14.58	47	3.10	117	2876		12.68	45	3.30	144	2334		10.29	44	3.90	169	1985		8.75	34	3.30	189		1774	7.82	34	3.20	53	6319	27.86	34	1.20	GFA107 GFAF107 GF107 GFF107	4P	58	5761	25.40		34	1.30	67				5022	22.14	34	1.50		76	4418			19.48		33	1.70	89	3756		16.56			33	1.95		102	3307	14.58	32	2.20	117	2867	12.64	31	2.40	147	2279	10.05	30	2.70	152	2202	9.71	29	2.10	179	1871	8.25	29	2.40	204	1649	7.27	77	2.60	235	1429	6.30	78	3.10	26	19214	56.99	70	0.85		GFA157 GFAF157 GF157 GFF157	4P	29	17070	50.63		71	0.95	33				15260	45.26	71		1.10	38	13267				39.35	71	1.25	46	10765	31.93				70	1.55	54	9292	27.56	69	1.85	55	9032	26.79	69	1.65	GFA157 GFAF157 GF157 GFF157	4P	62	8011	23.76	68	1.65			70	7158	21.23	67	2.30			79	6322	18.75	66	2.40			88	5641	16.73	64	3.00	105	4757	14.11	48	3.50	40		12384	36.73	49	0.90		GFA127 GFAF127 GF127 GFF127	4P	46	10732		31.83	49			1.10		58	8537	25.32			49	1.35		69	7239			21.47		49	1.60	81	6190	18.36	48	1.65	91	5499	16.31	48	1.90	102		4916	14.58	47	2.10	117		4275	12.68	46	2.20		144	3469	10.29	44	2.60		169	2950	8.75	43	2.20																																																																																																																																																																						
33	10266	45.26	81	1.60			38	8925	39.35	80	1.85			46	7242	31.93	77	2.30	54	6251	27.56	75	2.70	55		6076	26.79	58	2.80	62		5389	23.76		58	3.20		27	12647		55.76	58		0.90	GFA127 GFAF127 GF127 GFF127		4P	30		11127	49.06				58	1.00	35		9458	41.70	57	1.20	40			8331	36.73	56	1.35	46	7219	31.83			56	1.60	58	5743	25.32	55	1.95			56	6022	26.55	54	1.30	GFA127 GFAF127 GF127 GFF127	4P	60	5568	24.55			53	1.45	69	4870	21.47			52	2.30	81	4164	18.36			51	2.40	91	3699	16.31			49	2.80		102	3307	14.58	47	3.10		117	2876	12.68	45	3.30		144	2334	10.29	44	3.90		169	1985	8.75	34	3.30		189	1774	7.82	34	3.20	53	6319	27.86	34	1.20	GFA107 GFAF107 GF107 GFF107	4P	58	5761			25.40	34	1.30		67	5022	22.14				34	1.50	76	4418		19.48	33			1.70		89	3756	16.56	33		1.95			102	3307	14.58	32	2.20	117	2867	12.64	31	2.40	147	2279	10.05	30	2.70	152	2202	9.71	29	2.10	179	1871	8.25	29	2.40	204	1649	7.27	77	2.60	235	1429	6.30	78	3.10	26	19214	56.99	70	0.85	GFA157 GFAF157 GF157 GFF157	4P	29				17070	50.63	71		0.95	33	15260				45.26	71	1.10		38	13267	39.35				71	1.25	46	10765	31.93	70	1.55			54	9292	27.56	69	1.85	55	9032	26.79	69	1.65	GFA157 GFAF157 GF157 GFF157	4P			62	8011	23.76	68	1.65			70	7158	21.23	67	2.30			79	6322	18.75	66	2.40			88	5641	16.73	64	3.00	105	4757	14.11	48	3.50	40		12384	36.73	49	0.90				GFA127 GFAF127 GF127 GFF127	4P		46	10732			31.83		49	1.10	58			8537	25.32		49	1.35			69	7239	21.47	49	1.60	81	6190	18.36	48	1.65	91	5499	16.31	48	1.90		102	4916	14.58	47	2.10		117	4275	12.68	46		2.20	144	3469	10.29	44		2.60	169	2950	8.75	43		2.20																																																																																																																																																																				
38	8925	39.35	80	1.85		46	7242	31.93	77	2.30	54		6251	27.56	75	2.70	55	6076	26.79	58	2.80	62	5389	23.76		58	3.20	27	12647	55.76		58	0.90		GFA127 GFAF127 GF127 GFF127	4P		30	11127		49.06	58		1.00				35	9458	41.70	57				1.20	40	8331	36.73	56	1.35	46	7219	31.83			56	1.60	58	5743	25.32	55	1.95			56	6022	26.55	54	1.30	GFA127 GFAF127 GF127 GFF127	4P			60	5568	24.55	53	1.45			69	4870	21.47			52	2.30	81	4164	18.36			51	2.40	91	3699	16.31			49	2.80	102	3307	14.58			47	3.10		117	2876	12.68	45	3.30		144	2334	10.29	44	3.90		169	1985	8.75	34	3.30		189	1774	7.82	34	3.20	53	6319	27.86	34	1.20	GFA107 GFAF107 GF107 GFF107	4P	58	5761	25.40	34			1.30	67			5022	22.14	34		1.50	76	4418				19.48	33	1.70	89		3756	16.56			33		1.95	102	3307	14.58	32	2.20			117	2867	12.64	31	2.40	147	2279	10.05	30	2.70	152	2202	9.71	29	2.10	179	1871	8.25	29	2.40	204	1649	7.27	77	2.60	235	1429	6.30	78	3.10	26	19214	56.99	70	0.85	GFA157 GFAF157 GF157 GFF157	4P	29	17070	50.63			71				0.95	33	15260		45.26	71	1.10				38	13267	39.35		71	1.25	46		10765		31.93	70	1.55	54	9292	27.56	69			1.85	55	9032	26.79	69	1.65	GFA157 GFAF157 GF157 GFF157	4P	62	8011					23.76	68	1.65	70	7158			21.23	67	2.30	79	6322			18.75	66	2.40	88	5641			16.73	64	3.00	105	4757	14.11	48	3.50	40	12384	36.73		49	0.90	GFA127 GFAF127 GF127 GFF127	4P							46	10732			31.83		49	1.10	58			8537	25.32	49	1.35	69			7239	21.47	49	1.60	81	6190	18.36	48	1.65	91	5499	16.31	48	1.90	102		4916	14.58	47	2.10	117		4275	12.68	46	2.20		144	3469	10.29	44	2.60		169	2950	8.75	43	2.20																																																																																																																																																																						
46	7242	31.93	77	2.30		54	6251	27.56	75	2.70	55		6076	26.79	58	2.80	62	5389	23.76	58	3.20	27	12647	55.76		58	0.90	GFA127 GFAF127 GF127 GFF127	4P	30		11127	49.06					58	1.00		35	9458	41.70	57				1.20	40	8331	36.73	56			1.35	46	7219	31.83	56	1.60	58	5743	25.32			55	1.95	56	6022	26.55	54	1.30			GFA127 GFAF127 GF127 GFF127	4P	60	5568	24.55				53	1.45	69	4870	21.47	52			2.30	81	4164			18.36	51	2.40	91	3699			16.31	49	2.80	102	3307			14.58	47	3.10	117	2876		12.68	45	3.30		144	2334	10.29	44	3.90		169	1985	8.75	34	3.30		189	1774	7.82	34	3.20	53	6319	27.86	34	1.20	GFA107 GFAF107 GF107 GFF107	4P	58	5761	25.40	34			1.30	67	5022	22.14			34	1.50			76	4418	19.48		33	1.70	89				3756	16.56	33	1.95		102	3307			14.58	32	2.20	117	2867	12.64	31	2.40		147	2279	10.05	30	2.70	152	2202	9.71	29	2.10	179	1871	8.25	29	2.40	204	1649	7.27	77	2.60	235	1429	6.30	78	3.10	26	19214	56.99	70	0.85	GFA157 GFAF157 GF157 GFF157	4P	29	17070	50.63	71			0.95	33	15260			45.26				71	1.10	38		13267	39.35	71				1.25	46	10765	31.93	70	1.55	54		9292		27.56	69	1.85	55	9032	26.79	69		1.65	GFA157 GFAF157 GF157 GFF157	4P	62	8011	23.76	68			1.65	70					7158	21.23	67	2.30	79			6322	18.75	66	2.40	88			5641	16.73	64	3.00	105		4757	14.11	48	3.50	40	12384	36.73	49	0.90	GFA127 GFAF127 GF127 GFF127	4P	46		10732	31.83									49	1.10			58	8537	25.32	49	1.35			69	7239	21.47	49	1.60		81	6190	18.36	48	1.65	91	5499	16.31	48	1.90	102	4916	14.58	47	2.10	117		4275	12.68	46	2.20	144		3469	10.29	44	2.60		169	2950	8.75	43	2.20																																																																																																																																																																												
54	6251	27.56	75	2.70		55	6076	26.79	58	2.80	62		5389	23.76	58	3.20	27	12647	55.76	58	0.90	GFA127 GFAF127 GF127 GFF127	4P	30		11127	49.06			58		1.00	35				9458	41.70	57		1.20	40	8331	36.73		56		1.35	46	7219	31.83	56			1.60	58	5743	25.32	55	1.95	56	6022	26.55			54	1.30	GFA127 GFAF127 GF127 GFF127	4P	60	5568	24.55		53			1.45	69	4870				21.47	52	2.30	81	4164	18.36			51	2.40	91			3699	16.31	49	2.80	102			3307	14.58	47	3.10	117		2876	12.68	45	3.30	144	2334		10.29	44	3.90		169	1985	8.75	34	3.30		189	1774	7.82	34	3.20	53	6319	27.86	34	1.20	GFA107 GFAF107 GF107 GFF107	4P	58	5761	25.40	34			1.30	67	5022	22.14			34	1.50	76	4418			19.48	33			1.70	89	3756		16.56	33	1.95				102	3307	14.58	32	2.20	117	2867		12.64	31	2.40	147	2279	10.05	30	2.70	152		2202	9.71	29	2.10	179	1871	8.25	29	2.40	204	1649	7.27	77	2.60	235	1429	6.30	78	3.10	26	19214	56.99	70	0.85	GFA157 GFAF157 GF157 GFF157	4P	29	17070	50.63	71			0.95	33	15260	45.26			71	1.10	38			13267				39.35	71	1.25		46	10765	31.93		70		1.55	54	9292	27.56	69	1.85	55		9032	26.79	69	1.65	GFA157 GFAF157 GF157 GFF157	4P	62	8011	23.76		68			1.65	70	7158	21.23			67	2.30					79	6322	18.75	66	2.40			88	5641	16.73	64	3.00		105	4757	14.11	48	3.50	40		12384	36.73	49	0.90	GFA127 GFAF127 GF127 GFF127	4P	46	10732	31.83			49		1.10	58								8537	25.32	49			1.35	69	7239	21.47	49		1.60	81	6190	18.36	48	1.65		91	5499	16.31	48	1.90	102	4916	14.58	47	2.10	117	4275	12.68	46	2.20	144		3469	10.29	44	2.60	169		2950	8.75	43	2.20																																																																																																																																																																																		
55	6076	26.79	58	2.80		62	5389	23.76	58	3.20	27		12647	55.76	58	0.90	GFA127 GFAF127 GF127 GFF127	4P	30	11127	49.06			58		1.00	35			9458	41.70	57	1.20				40	8331	36.73	56	1.35	46	7219	31.83		56		1.60	58	5743	25.32	55			1.95	56	6022	26.55	54	1.30	GFA127 GFAF127 GF127 GFF127	4P	60		5568	24.55	53			1.45	69	4870		21.47			52	2.30	81				4164	18.36	51	2.40	91	3699			16.31	49	2.80			102	3307	14.58	47	3.10		117	2876	12.68	45	3.30	144		2334	10.29	44	3.90	169	1985		8.75	34	3.30		189	1774	7.82	34	3.20	53	6319	27.86	34	1.20	GFA107 GFAF107 GF107 GFF107	4P	58	5761	25.40	34			1.30	67	5022	22.14			34	1.50	76	4418			19.48	33	1.70	89			3756	16.56			33	1.95	102		3307	14.58	32		2.20	117	2867	12.64	31	2.40	147	2279	10.05		30	2.70	152	2202	9.71	29	2.10	179	1871		8.25	29	2.40	204	1649	7.27	77	2.60	235	1429	6.30	78	3.10	26	19214	56.99	70	0.85	GFA157 GFAF157 GF157 GFF157	4P	29	17070	50.63	71			0.95	33	15260	45.26			71	1.10	38	13267			39.35	71	1.25			46				10765	31.93	70	1.55	54	9292	27.56		69	1.85	55	9032	26.79	69	1.65	GFA157 GFAF157 GF157 GFF157	4P		62	8011	23.76	68			1.65	70	7158		21.23			67	2.30	79	6322			18.75	66					2.40	88	5641	16.73	64		3.00	105	4757	14.11	48	3.50		40	12384	36.73	49	0.90	GFA127 GFAF127 GF127 GFF127		4P	46	10732	31.83			49	1.10	58			8537		25.32	49			1.35					69	7239	21.47		49	1.60	81	6190	18.36	48		1.65	91	5499	16.31	48	1.90		102	4916	14.58	47	2.10	117	4275	12.68	46	2.20	144	3469	10.29	44	2.60	169		2950	8.75	43	2.20																																																																																																																																																																																								
62	5389	23.76	58	3.20		27	12647	55.76	58	0.90	GFA127 GFAF127 GF127 GFF127		4P	30	11127	49.06			58	1.00	35			9458	41.70	57	1.20			40	8331	36.73	56	1.35			46	7219	31.83	56	1.60	58	5743	25.32		55		1.95	56	6022	26.55	54		1.30	GFA127 GFAF127 GF127 GFF127	4P	60	5568	24.55	53			1.45		69	4870	21.47			52	2.30	81		4164			18.36	51	2.40				91	3699	16.31	49	2.80	102			3307	14.58	47		3.10	117	2876	12.68	45	3.30		144	2334	10.29	44	3.90	169		1985	8.75	34	3.30	189	1774		7.82	34	3.20	53	6319	27.86	34	1.20	GFA107 GFAF107 GF107 GFF107	4P	58	5761	25.40	34			1.30	67	5022	22.14			34	1.50	76	4418			19.48	33	1.70	89			3756	16.56	33	1.95			102	3307		14.58	32	2.20	117	2867	12.64	31	2.40		147	2279	10.05	30	2.70	152	2202	9.71	29		2.10	179	1871	8.25	29	2.40	204	1649	7.27		77	2.60	235	1429	6.30	78	3.10	26	19214	56.99	70	0.85	GFA157 GFAF157 GF157 GFF157	4P	29	17070	50.63	71			0.95	33	15260	45.26			71	1.10	38	13267			39.35	71	1.25	46			10765	31.93	70			1.55	54		9292	27.56	69	1.85	55	9032	26.79	69		1.65	GFA157 GFAF157 GF157 GFF157	4P	62	8011	23.76	68				1.65	70	7158	21.23			67	2.30	79		6322			18.75	66	2.40	88			5641	16.73				64	3.00	105	4757	14.11	48		3.50	40	12384	36.73	49	0.90		GFA127 GFAF127 GF127 GFF127	4P	46	10732	31.83				49	1.10	58			8537	25.32	49			1.35	69	7239	21.47			49		1.60			81	6190	18.36		48	1.65	91	5499	16.31	48		1.90	102	4916	14.58	47	2.10		117	4275	12.68	46	2.20	144	3469	10.29	44	2.60	169	2950	8.75	43	2.20																																																																																																																																																																																														
27	12647	55.76	58	0.90		GFA127 GFAF127 GF127 GFF127	4P	30	11127	49.06				58	1.00	35			9458	41.70	57			1.20	40	8331	36.73			56	1.35	46	7219	31.83			56	1.60	58	5743	25.32	55	1.95	56		6022	26.55	54	1.30	GFA127 GFAF127 GF127 GFF127	4P	60		5568			24.55	53	1.45	69			4870		21.47	52	2.30			81	4164	18.36		51			2.40	91	3699				16.31	49	2.80	102	3307	14.58		47	3.10	117	2876		12.68	45	3.30	144	2334	10.29		44	3.90	169	1985	8.75	34		3.30	189	1774	7.82	34	3.20		53	6319	27.86	34	1.20	GFA107 GFAF107 GF107 GFF107	4P	58			5761	25.40	34	1.30			67	5022	22.14	34			1.50	76	4418	19.48			33	1.70	89	3756			16.56	33	1.95	102		3307	14.58	32		2.20	117	2867	12.64	31	2.40	147	2279		10.05	30	2.70	152	2202	9.71	29	2.10	179		1871	8.25	29	2.40	204	1649	7.27	77	2.60		235	1429	6.30	78	3.10	26	19214	56.99	70	0.85	GFA157 GFAF157 GF157 GFF157	4P			29	17070	50.63	71			0.95	33	15260	45.26			71	1.10	38	13267			39.35	71	1.25	46			10765	31.93	70		1.55	54	9292		27.56	69	1.85	55	9032	26.79	69	1.65		GFA157 GFAF157 GF157 GFF157			4P	62	8011	23.76				68	1.65	70	7158			21.23	67	2.30		79			6322	18.75	66	2.40			88	5641		16.73		64	3.00	105	4757	14.11	48		3.50	40	12384	36.73	49	0.90				GFA127 GFAF127 GF127 GFF127	4P	46				10732	31.83	49			1.10	58	8537			25.32	49	1.35	69			7239		21.47		49	1.60	81	6190		18.36	48	1.65	91	5499	16.31		48	1.90	102	4916	14.58	47		2.10	117	4275	12.68	46	2.20	144	3469	10.29	44	2.60	169	2950	8.75	43	2.20																																																																																																																																																																																													
30	11127	49.06	58	1.00	35			9458	41.70	57		1.20		40	8331	36.73			56	1.35	46			7219	31.83	56	1.60			58	5743	25.32	55	1.95		56	6022	26.55	54	1.30	GFA127 GFAF127 GF127 GFF127	4P	60	5568		24.55	53	1.45	69			4870		21.47			52	2.30	81	4164			18.36		51	2.40	91			3699	16.31	49		2.80			102	3307	14.58		47		3.10	117	2876	12.68	45	3.30		144	2334	10.29	44		3.90	169	1985	8.75	34	3.30		189	1774	7.82	34	3.20	53		6319	27.86	34	1.20	GFA107 GFAF107 GF107 GFF107	4P		58	5761	25.40	34	1.30			67			5022	22.14	34	1.50			76	4418	19.48	33			1.70	89	3756	16.56			33	1.95	102	3307		14.58	32	2.20	117	2867		12.64	31	2.40		147	2279	10.05	30	2.70	152	2202	9.71		29	2.10	179	1871	8.25	29	2.40	204	1649		7.27	77	2.60	235	1429	6.30	78	3.10	26		19214	56.99	70	0.85	GFA157 GFAF157 GF157 GFF157	4P	29	17070	50.63	71					0.95	33	15260	45.26			71	1.10	38	13267			39.35	71	1.25	46			10765	31.93	70	1.55		54	9292	27.56	69		1.85	55	9032		26.79	69	1.65	GFA157 GFAF157 GF157 GFF157	4P	62	8011	23.76						68	1.65	70				7158	21.23	67	2.30			79	6322	18.75		66			2.40	88	5641	16.73		64	3.00	105		4757		14.11	48	3.50	40	12384	36.73		49	0.90	GFA127 GFAF127 GF127 GFF127	4P	46	10732						31.83				49	1.10	58			8537	25.32	49			1.35	69	7239	21.47		49	1.60		81		6190	18.36	48	1.65		91	5499	16.31	48	1.90	102		4916	14.58	47	2.10	117	4275		12.68	46	2.20	144	3469	10.29	44	2.60	169	2950	8.75	43	2.20																																																																																																																																																																																																
35	9458	41.70	57	1.20	40			8331	36.73	56		1.35		46	7219	31.83			56	1.60	58			5743	25.32	55	1.95		56	6022	26.55	54	1.30	GFA127 GFAF127 GF127 GFF127		4P	60	5568	24.55	53			1.45	69		4870	21.47	52	2.30			81		4164			18.36	51	2.40	91			3699		16.31	49	2.80			102	3307	14.58		47		3.10	117	2876	12.68		45	3.30	144	2334	10.29	44	3.90	169		1985	8.75	34	3.30		189	1774	7.82	34	3.20	53		6319	27.86	34	1.20	GFA107 GFAF107 GF107 GFF107	4P		58	5761	25.40	34			1.30	67	5022	22.14	34	1.50			76			4418	19.48	33	1.70			89	3756	16.56	33			1.95	102	3307	14.58		32	2.20	117	2867	12.64		31	2.40	147	2279	10.05		30	2.70	152		2202	9.71	29	2.10	179	1871	8.25	29		2.40	204	1649	7.27	77	2.60	235	1429	6.30		78	3.10	26	19214	56.99	70	0.85	GFA157 GFAF157 GF157 GFF157	4P	29	17070	50.63	71	0.95			33	15260	45.26	71					1.10	38	13267	39.35			71	1.25	46	10765			31.93	70	1.55	54		9292	27.56	69	1.85	55		9032	26.79	69	1.65		GFA157 GFAF157 GF157 GFF157	4P	62		8011	23.76	68			1.65	70	7158						21.23	67	2.30				79	6322	18.75	66			2.40	88	5641	16.73	64		3.00	105	4757	14.11	48		3.50	40	12384		36.73		49	0.90	GFA127 GFAF127 GF127 GFF127	4P	46	10732		31.83	49			1.10	58						8537		25.32		49	1.35	69			7239	21.47	49		1.60	81	6190	18.36	48		1.65	91		5499		16.31	48	1.90	102		4916	14.58	47	2.10	117	4275		12.68	46	2.20	144	3469	10.29	44	2.60	169	2950	8.75	43	2.20																																																																																																																																																																																																							
40	8331	36.73	56	1.35	46			7219	31.83	56		1.60		58	5743	25.32			55	1.95	56		6022	26.55	54	1.30	GFA127 GFAF127 GF127 GFF127		4P	60	5568	24.55	53				1.45	69	4870	21.47			52	2.30		81	4164	18.36	51			2.40		91			3699	16.31	49	2.80			102		3307	14.58	47		3.10	117	2876	12.68	45	3.30		144	2334	10.29	44		3.90	169	1985	8.75	34	3.30	189	1774		7.82	34	3.20	53		6319	27.86	34	1.20	GFA107 GFAF107 GF107 GFF107	4P		58	5761	25.40	34			1.30	67	5022	22.14	34			1.50	76	4418	19.48	33	1.70			89			3756	16.56	33	1.95			102	3307	14.58	32		2.20	117	2867	12.64	31		2.40	147	2279	10.05	30		2.70	152	2202	9.71	29		2.10	179	1871		8.25	29	2.40	204	1649	7.27	77	2.60		235	1429	6.30	78	3.10	26	19214	56.99	70	0.85	GFA157 GFAF157 GF157 GFF157	4P	29	17070	50.63	71	0.95			33	15260	45.26	71	1.10			38	13267	39.35	71					1.25	46	10765	31.93			70	1.55	54	9292		27.56	69	1.85	55	9032		26.79	69	1.65	GFA157 GFAF157 GF157 GFF157	4P		62	8011	23.76	68				1.65		70	7158	21.23			67	2.30	79						6322	18.75	66			2.40	88	5641	16.73	64		3.00	105	4757	14.11	48	3.50		40	12384	36.73	49	0.90		GFA127 GFAF127 GF127 GFF127	4P	46		10732		31.83	49			1.10	58		8537	25.32			49	1.35	69					7239		21.47		49	1.60	81		6190	18.36	48	1.65		91	5499	16.31	48	1.90		102	4916		14.58		47	2.10	117	4275		12.68	46	2.20	144	3469	10.29	44	2.60	169	2950	8.75	43	2.20																																																																																																																																																																																																														
46	7219	31.83	56	1.60	58			5743	25.32	55		1.95		56	6022	26.55		54	1.30	GFA127 GFAF127 GF127 GFF127	4P		60	5568	24.55	53				1.45	69	4870	21.47				52	2.30	81	4164			18.36	51		2.40	91	3699	16.31			49		2.80			102	3307	14.58	47		3.10	117	2876	12.68	45	3.30		144	2334	10.29	44	3.90	169		1985	8.75	34	3.30		189	1774	7.82	34	3.20	53	6319	27.86		34	1.20	GFA107 GFAF107 GF107 GFF107	4P		58	5761	25.40	34			1.30	67	5022	22.14	34			1.50	76	4418	19.48	33			1.70	89	3756	16.56	33	1.95			102			3307	14.58	32	2.20		117	2867	12.64	31	2.40		147	2279	10.05	30	2.70		152	2202	9.71	29	2.10		179	1871	8.25	29	2.40		204	1649	7.27		77	2.60	235	1429	6.30	78	3.10	26	19214	56.99	70	0.85	GFA157 GFAF157 GF157 GFF157	4P	29	17070	50.63	71	0.95			33	15260	45.26	71	1.10			38	13267	39.35	71	1.25			46	10765	31.93	70					1.55	54	9292	27.56		69	1.85	55	9032	26.79		69	1.65	GFA157 GFAF157 GF157 GFF157	4P	62		8011	23.76	68				1.65	70	7158	21.23				67		2.30	79	6322			18.75	66	2.40	88					5641	16.73	64		3.00	105	4757	14.11	48	3.50		40	12384	36.73	49	0.90	GFA127 GFAF127 GF127 GFF127		4P	46	10732	31.83	49				1.10		58		8537	25.32			49	1.35	69	7239	21.47			49	1.60	81					6190		18.36	48	1.65	91	5499		16.31	48	1.90	102		4916	14.58	47	2.10	117		4275	12.68		46		2.20	144	3469	10.29	44	2.60	169	2950	8.75	43	2.20																																																																																																																																																																																																																					
58	5743	25.32	55	1.95	56			6022	26.55	54		1.30	GFA127 GFAF127 GF127 GFF127	4P	60	5568		24.55	53				1.45	69	4870	21.47				52	2.30	81	4164				18.36	51	2.40	91			3699	16.31		49	2.80	102	3307			14.58	47	3.10		117	2876	12.68	45	3.30		144	2334	10.29	44	3.90	169		1985	8.75	34	3.30	189	1774		7.82	34	3.20	53		6319	27.86	34	1.20	GFA107 GFAF107 GF107 GFF107	4P	58	5761		25.40	34			1.30	67	5022	22.14	34			1.50	76	4418	19.48	33			1.70	89	3756	16.56	33			1.95	102	3307	14.58	32	2.20			117		2867	12.64	31	2.40	147		2279	10.05	30	2.70	152		2202	9.71	29	2.10	179		1871	8.25	29	2.40	204		1649	7.27	77	2.60	235		1429	6.30	78	3.10	26	19214	56.99	70	0.85	GFA157 GFAF157 GF157 GFF157	4P	29	17070	50.63	71	0.95			33	15260	45.26	71	1.10			38	13267	39.35	71	1.25			46	10765	31.93	70	1.55			54	9292	27.56	69				1.85	55	9032	26.79	69		1.65	GFA157 GFAF157 GF157 GFF157	4P	62	8011		23.76	68			1.65		70	7158	21.23				67	2.30	79	6322				18.75	66	2.40	88	5641			16.73	64	3.00	105			4757		14.11	48	3.50		40	12384	36.73	49	0.90	GFA127 GFAF127 GF127 GFF127		4P	46	10732	31.83	49				1.10	58	8537	25.32				49		1.35	69	7239	21.47			49	1.60	81	6190	18.36			48	1.65	91		5499			16.31		48	1.90	102	4916	14.58		47	2.10	117	4275		12.68	46	2.20	144	3469		10.29	44	2.60	169		2950	8.75	43	2.20																																																																																																																																																																																																																												
56	6022	26.55	54	1.30	GFA127 GFAF127 GF127 GFF127		4P	60	5568	24.55		53			1.45	69		4870	21.47				52	2.30	81	4164				18.36	51	2.40	91				3699	16.31	49	2.80			102	3307	14.58	47	3.10	117	2876		12.68	45	3.30	144		2334	10.29	44	3.90	169		1985	8.75	34	3.30	189	1774		7.82	34	3.20	53	6319	27.86		34	1.20	GFA107 GFAF107 GF107 GFF107	4P		58	5761	25.40	34			1.30	67	5022	22.14	34			1.50	76	4418	19.48	33			1.70	89	3756	16.56	33			1.95	102	3307	14.58	32			2.20	117	2867	12.64	31	2.40		147	2279		10.05	30	2.70	152	2202		9.71	29	2.10	179	1871		8.25	29	2.40	204	1649		7.27	77	2.60	235	1429		6.30	78	3.10	26	19214	56.99	70	0.85	GFA157 GFAF157 GF157 GFF157	4P	29	17070	50.63	71	0.95			33	15260	45.26	71	1.10			38	13267	39.35	71	1.25			46	10765	31.93	70	1.55			54	9292	27.56	69	1.85			55	9032	26.79	69		1.65		GFA157 GFAF157 GF157 GFF157	4P	62	8011	23.76		68			1.65	70		7158	21.23			67		2.30	79	6322				18.75	66	2.40	88	5641			16.73	64	3.00	105	4757			14.11	48	3.50	40			12384	36.73	49	0.90	GFA127 GFAF127 GF127 GFF127		4P	46	10732	31.83	49				1.10	58	8537	25.32				49	1.35	69	7239				21.47	49	1.60	81	6190	18.36			48	1.65	91	5499	16.31			48	1.90	102		4916		14.58	47		2.10	117	4275	12.68	46		2.20	144	3469	10.29		44	2.60	169	2950	8.75		43	2.20																																																																																																																																																																																																																																			
60	5568	24.55	53	1.45				69	4870	21.47		52			2.30	81		4164	18.36				51	2.40	91	3699				16.31	49	2.80	102		3307		14.58	47	3.10	117		2876	12.68	45	3.30	144	2334	10.29	44		3.90	169	1985	8.75		34	3.30	189	1774	7.82		34	3.20	53	6319	27.86	34		1.20	GFA107 GFAF107 GF107 GFF107	4P	58	5761	25.40		34	1.30			67	5022	22.14	34	1.50			76	4418	19.48	33	1.70			89	3756	16.56	33	1.95			102	3307	14.58	32	2.20			117	2867	12.64	31	2.40		147	2279	10.05	30	2.70	152	2202		9.71	29		2.10	179	1871	8.25	29		2.40	204	1649	7.27	77		2.60	235	1429	6.30	78		3.10	26	19214	56.99	70	0.85	GFA157 GFAF157 GF157 GFF157	4P	29	17070	50.63	71	0.95	33			15260	45.26	71	1.10	38			13267	39.35	71	1.25	46			10765	31.93	70	1.55	54			9292	27.56	69	1.85	55			9032	26.79	69	1.65	GFA157 GFAF157 GF157 GFF157		4P	62	8011	23.76	68		1.65				70	7158	21.23		67			2.30	79		6322	18.75			66		2.40	88	5641			16.73	64	3.00	105	4757	14.11			48	3.50	40	12384	36.73		49	0.90	GFA127 GFAF127 GF127 GFF127	4P	46			10732	31.83	49	1.10				58	8537	25.32	49				1.35	69	7239	21.47				49	1.60	81	6190	18.36			48	1.65	91	5499	16.31	48			1.90	102	4916	14.58	47		2.10	117	4275	12.68		46		2.20	144		3469	10.29	44	2.60	169		2950	8.75	43	2.20																																																																																																																																																																																																																																												
69	4870	21.47	52	2.30				81	4164	18.36		51			2.40	91		3699	16.31				49	2.80	102	3307		14.58		47	3.10	117	2876		12.68	45	3.30	144	2334	10.29		44	3.90	169	1985	8.75	34	3.30	189		1774	7.82	34	3.20		53	6319	27.86	34	1.20		GFA107 GFAF107 GF107 GFF107	4P	58	5761	25.40	34		1.30			67	5022	22.14	34	1.50	76			4418	19.48	33	1.70	89			3756	16.56	33	1.95	102			3307	14.58	32	2.20	117			2867	12.64	31	2.40	147		2279	10.05	30	2.70	152	2202		9.71	29	2.10	179	1871	8.25	29		2.40	204		1649	7.27	77	2.60	235		1429	6.30	78	3.10	26		19214	56.99	70	0.85	GFA157 GFAF157 GF157 GFF157	4P	29	17070	50.63	71	0.95	33			15260	45.26	71	1.10	38	13267			39.35	71	1.25	46	10765			31.93	70	1.55	54	9292			27.56	69	1.85	55	9032			26.79	69	1.65	GFA157 GFAF157 GF157 GFF157	4P		62	8011	23.76	68	1.65				70	7158	21.23	67		2.30				79	6322	18.75		66			2.40	88		5641	16.73			64	3.00	105	4757	14.11			48	3.50	40	12384	36.73	49		0.90	GFA127 GFAF127 GF127 GFF127	4P	46	10732	31.83		49	1.10			58			8537	25.32	49	1.35				69	7239	21.47	49				1.60	81	6190	18.36		48		1.65	91	5499	16.31	48			1.90	102	4916	14.58	47	2.10		117	4275	12.68	46	2.20	144		3469	10.29	44	2.60		169		2950	8.75		43	2.20																																																																																																																																																																																																																																																				
81	4164	18.36	51	2.40				91	3699	16.31		49			2.80	102		3307	14.58			47	3.10	117	2876	12.68		45	3.30	144	2334	10.29	44		3.90	169	1985	8.75	34	3.30		189	1774	7.82	34	3.20	53	6319	27.86		34	1.20	GFA107 GFAF107 GF107 GFF107	4P		58	5761	25.40	34	1.30				67	5022	22.14	34	1.50	76			4418	19.48	33	1.70	89	3756			16.56	33	1.95	102	3307			14.58	32	2.20	117	2867			12.64	31	2.40	147	2279		10.05	30	2.70	152	2202	9.71		29	2.10	179	1871	8.25	29		2.40	204	1649	7.27	77	2.60	235		1429	6.30		78	3.10	26	19214	56.99		70	0.85	GFA157 GFAF157 GF157 GFF157	4P	29	17070	50.63	71	0.95	33			15260	45.26	71	1.10	38	13267			39.35	71	1.25	46	10765	31.93			70	1.55	54	9292	27.56			69	1.85	55	9032	26.79			69	1.65	GFA157 GFAF157 GF157 GFF157	4P	62		8011	23.76	68	1.65				70	7158	21.23	67	2.30				79	6322	18.75	66		2.40				88	5641	16.73		64			3.00	105	4757	14.11	48			3.50	40	12384	36.73	49		0.90	GFA127 GFAF127 GF127 GFF127	4P	46	10732	31.83	49		1.10			58	8537	25.32		49	1.35			69			7239	21.47	49	1.60				81	6190	18.36	48		1.65		91	5499	16.31	48		1.90		102	4916	14.58	47	2.10		117	4275	12.68	46	2.20	144	3469		10.29	44	2.60	169	2950	8.75		43	2.20																																																																																																																																																																																																																																																														
91	3699	16.31	49	2.80				102	3307	14.58		47			3.10	117	2876	12.68	45		3.30	144	2334	10.29	44	3.90		169	1985	8.75	34	3.30	189		1774	7.82	34	3.20	53	6319		27.86	34	1.20	GFA107 GFAF107 GF107 GFF107	4P	58	5761	25.40		34	1.30				67	5022	22.14	34	1.50	76			4418	19.48	33	1.70	89	3756			16.56	33	1.95	102	3307	14.58			32	2.20	117	2867	12.64			31	2.40	147	2279	10.05		30	2.70	152	2202	9.71	29		2.10	179	1871	8.25	29	2.40		204	1649	7.27	77	2.60	235		1429	6.30	78	3.10	26	19214	56.99		70	0.85		GFA157 GFAF157 GF157 GFF157	4P	29	17070	50.63	71	0.95	33			15260	45.26	71	1.10	38	13267			39.35	71	1.25	46	10765	31.93			70	1.55	54	9292	27.56	69			1.85	55	9032	26.79	69			1.65	GFA157 GFAF157 GF157 GFF157	4P	62	8011		23.76	68	1.65			70		7158	21.23	67	2.30				79	6322	18.75	66	2.40				88	5641	16.73	64		3.00				105	4757	14.11	48	3.50			40	12384	36.73	49	0.90		GFA127 GFAF127 GF127 GFF127	4P	46	10732	31.83	49		1.10			58	8537	25.32	49		1.35			69	7239	21.47		49	1.60			81			6190	18.36	48	1.65		91		5499	16.31	48	1.90		102		4916	14.58	47	2.10		117	4275	12.68	46	2.20	144	3469		10.29	44	2.60	169	2950	8.75	43		2.20																																																																																																																																																																																																																																																																						
102	3307	14.58	47	3.10				117	2876	12.68	45	3.30		144	2334	10.29	44	3.90	169		1985	8.75	34	3.30	189	1774		7.82	34	3.20	53	6319	27.86		34	1.20	GFA107 GFAF107 GF107 GFF107	4P	58	5761		25.40	34	1.30			67	5022	22.14		34	1.50			76	4418	19.48	33	1.70	89	3756			16.56	33	1.95	102	3307	14.58			32	2.20	117	2867	12.64	31			2.40	147	2279	10.05	30		2.70	152	2202	9.71	29	2.10		179	1871	8.25	29	2.40	204		1649	7.27	77	2.60	235	1429		6.30	78	3.10	26	19214	56.99		70	0.85	GFA157 GFAF157 GF157 GFF157	4P	29	17070	50.63		71	0.95	33			15260	45.26	71	1.10	38	13267			39.35	71	1.25	46	10765	31.93			70	1.55	54	9292	27.56	69			1.85	55	9032	26.79	69	1.65			GFA157 GFAF157 GF157 GFF157	4P	62	8011	23.76		68	1.65			70	7158		21.23	67	2.30			79		6322	18.75	66	2.40				88	5641	16.73	64	3.00				105	4757	14.11	48		3.50	40			12384	36.73	49	0.90	GFA127 GFAF127 GF127 GFF127		4P	46	10732	31.83	49	1.10				58	8537	25.32	49		1.35			69	7239	21.47	49		1.60			81	6190	18.36		48	1.65			91		5499	16.31	48	1.90	102		4916		14.58	47	2.10	117		4275	12.68	46	2.20	144	3469		10.29	44	2.60	169	2950	8.75	43		2.20																																																																																																																																																																																																																																																																														
117	2876	12.68	45	3.30		144	2334	10.29	44	3.90	169	1985		8.75	34	3.30	189	1774	7.82		34	3.20	53	6319	27.86	34		1.20	GFA107 GFAF107 GF107 GFF107	4P	58	5761	25.40		34	1.30			67	5022		22.14	34	1.50			76	4418	19.48	33	1.70	89			3756	16.56	33	1.95	102	3307	14.58			32	2.20	117	2867	12.64	31			2.40	147	2279	10.05	30	2.70		152	2202	9.71	29	2.10	179		1871	8.25	29	2.40	204	1649		7.27	77	2.60	235	1429	6.30		78	3.10	26	19214	56.99	70		0.85	GFA157 GFAF157 GF157 GFF157	4P	29	17070	50.63		71	0.95			33	15260	45.26	71	1.10	38	13267			39.35	71	1.25	46	10765	31.93			70	1.55	54	9292	27.56	69			1.85	55	9032	26.79	69	1.65			GFA157 GFAF157 GF157 GFF157	4P	62	8011	23.76	68		1.65			70	7158	21.23		67	2.30			79	6322		18.75	66	2.40			88		5641	16.73	64	3.00				105	4757	14.11	48	3.50				40	12384	36.73	49	0.90	GFA127 GFAF127 GF127 GFF127	4P		46	10732	31.83	49	1.10				58	8537	25.32	49	1.35				69	7239	21.47	49		1.60			81	6190	18.36	48		1.65			91	5499	16.31		48	1.90			102	4916	14.58	47	2.10	117	4275		12.68	46	2.20	144	3469	10.29		44	2.60	169	2950	8.75	43		2.20																																																																																																																																																																																																																																																																																						
144	2334	10.29	44	3.90		169	1985	8.75	34	3.30	189	1774		7.82	34	3.20	53	6319	27.86		34	1.20	GFA107 GFAF107 GF107 GFF107	4P	58	5761		25.40			34	1.30	67		5022	22.14			34	1.50	76	4418	19.48	33			1.70	89	3756	16.56	33	1.95			102	3307	14.58	32	2.20	117	2867			12.64	31	2.40	147	2279	10.05		30	2.70	152	2202	9.71	29	2.10		179	1871	8.25	29	2.40	204		1649	7.27	77	2.60	235	1429		6.30	78	3.10	26	19214	56.99		70	0.85	GFA157 GFAF157 GF157 GFF157	4P	29	17070		50.63			71	0.95	33	15260	45.26	71			1.10	38	13267	39.35	71	1.25	46			10765	31.93	70	1.55	54	9292			27.56	69	1.85	55	9032	26.79			69	1.65	GFA157 GFAF157 GF157 GFF157	4P	62	8011		23.76			68	1.65	70	7158		21.23			67	2.30	79		6322	18.75			66	2.40		88	5641	16.73			64		3.00	105	4757	14.11				48	3.50	40	12384	36.73		49	0.90	GFA127 GFAF127 GF127 GFF127	4P	46	10732	31.83				49	1.10	58	8537	25.32				49	1.35	69	7239	21.47				49	1.60	81	6190		18.36			48	1.65	91	5499		16.31			48	1.90	102	4916	14.58	47		2.10	117	4275	12.68	46	2.20	144	3469		10.29	44	2.60	169	2950	8.75		43	2.20																																																																																																																																																																																																																																																																																												
169	1985	8.75	34	3.30		189	1774	7.82	34	3.20	53	6319		27.86	34	1.20	GFA107 GFAF107 GF107 GFF107	4P	58		5761	25.40			34	1.30		67			5022	22.14	34	1.50	76	4418			19.48	33	1.70	89	3756	16.56			33	1.95	102	3307	14.58	32			2.20	117	2867	12.64	31	2.40	147		2279	10.05	30	2.70	152	2202	9.71		29	2.10	179	1871	8.25	29	2.40		204	1649	7.27	77	2.60	235		1429	6.30	78	3.10	26	19214		56.99	70	0.85	GFA157 GFAF157 GF157 GFF157	4P	29		17070	50.63			71	0.95	33	15260			45.26	71	1.10	38	13267	39.35			71	1.25	46	10765	31.93	70	1.55			54	9292	27.56	69	1.85	55			9032	26.79	69	1.65	GFA157 GFAF157 GF157 GFF157	4P		62	8011	23.76			68	1.65		70			7158	21.23	67	2.30		79			6322	18.75	66		2.40	88			5641	16.73		64	3.00	105			4757		14.11	48	3.50	40		12384	36.73	49	0.90	GFA127 GFAF127 GF127 GFF127	4P	46		10732	31.83			49	1.10	58				8537	25.32	49	1.35	69				7239	21.47	49	1.60	81				6190	18.36	48	1.65		91			5499	16.31	48	1.90	102	4916		14.58	47	2.10	117	4275	12.68	46		2.20	144	3469	10.29	44	2.60	169	2950		8.75	43	2.20																																																																																																																																																																																																																																																																																																		
189	1774	7.82	34	3.20		53	6319	27.86	34	1.20	GFA107 GFAF107 GF107 GFF107	4P		58	5761	25.40			34		1.30	67			5022	22.14	34	1.50			76	4418	19.48	33	1.70	89			3756	16.56	33	1.95	102	3307			14.58	32	2.20	117	2867	12.64		31	2.40	147	2279	10.05	30	2.70	152		2202	9.71	29	2.10	179	1871	8.25		29	2.40	204	1649	7.27	77	2.60		235	1429	6.30	78	3.10	26		19214	56.99	70	0.85	GFA157 GFAF157 GF157 GFF157	4P		29	17070	50.63			71	0.95	33	15260			45.26	71	1.10	38			13267	39.35	71	1.25	46	10765			31.93	70	1.55	54	9292	27.56	69			1.85	55	9032	26.79	69	1.65		GFA157 GFAF157 GF157 GFF157	4P	62	8011	23.76				68	1.65	70			7158	21.23		67			2.30	79	6322	18.75		66			2.40	88	5641		16.73	64			3.00	105		4757	14.11	48		3.50	40	12384	36.73	49	0.90	GFA127 GFAF127 GF127 GFF127		4P	46	10732	31.83			49		1.10	58			8537	25.32	49				1.35	69	7239	21.47	49				1.60	81	6190	18.36	48				1.65	91	5499	16.31	48	1.90		102	4916	14.58	47	2.10	117	4275		12.68	46	2.20	144	3469	10.29	44		2.60	169	2950	8.75	43	2.20																																																																																																																																																																																																																																																																																																								
53	6319	27.86	34	1.20		GFA107 GFAF107 GF107 GFF107	4P	58	5761	25.40				34	1.30	67			5022	22.14	34	1.50			76	4418	19.48	33			1.70	89	3756	16.56	33	1.95			102	3307	14.58	32	2.20	117		2867	12.64	31	2.40	147	2279	10.05		30	2.70	152	2202	9.71	29	2.10	179		1871	8.25	29	2.40	204	1649	7.27		77	2.60	235	1429	6.30	78	3.10		26	19214	56.99	70	0.85	GFA157 GFAF157 GF157 GFF157		4P	29	17070	50.63			71	0.95	33	15260			45.26	71	1.10	38			13267	39.35	71	1.25			46	10765	31.93	70	1.55	54			9292	27.56	69	1.85	55	9032	26.79		69	1.65	GFA157 GFAF157 GF157 GFF157	4P	62	8011	23.76				68	1.65	70				7158	21.23	67			2.30	79		6322			18.75	66	2.40	88		5641			16.73	64	3.00		105	4757		14.11	48	3.50	40	12384	36.73	49		0.90	GFA127 GFAF127 GF127 GFF127	4P	46	10732	31.83				49	1.10	58			8537		25.32	49			1.35	69	7239				21.47	49	1.60	81	6190				18.36	48	1.65	91	5499	16.31		48	1.90	102	4916	14.58	47	2.10		117	4275	12.68	46	2.20	144	3469		10.29	44	2.60	169	2950	8.75	43		2.20																																																																																																																																																																																																																																																																																																													
58	5761	25.40	34	1.30				67	5022	22.14			34	1.50	76	4418			19.48	33	1.70	89			3756	16.56	33	1.95			102	3307	14.58	32	2.20	117		2867	12.64	31	2.40	147	2279	10.05		30	2.70	152	2202	9.71	29	2.10		179	1871	8.25	29	2.40	204	1649	7.27		77	2.60	235	1429	6.30	78	3.10		26	19214	56.99	70	0.85	GFA157 GFAF157 GF157 GFF157	4P		29	17070	50.63	71	0.95		33		15260	45.26	71			1.10	38	13267	39.35			71	1.25	46	10765			31.93	70	1.55	54			9292	27.56	69	1.85	55	9032		26.79	69	1.65	GFA157 GFAF157 GF157 GFF157	4P	62	8011	23.76		68	1.65			70	7158	21.23				67	2.30	79				6322	18.75	66			2.40	88		5641			16.73	64	3.00	105		4757		14.11	48	3.50	40	12384	36.73	49		0.90	GFA127 GFAF127 GF127 GFF127	4P	46	10732	31.83	49		1.10			58	8537	25.32				49	1.35	69			7239		21.47	49			1.60	81	6190				18.36	48	1.65	91	5499		16.31	48	1.90	102	4916	14.58	47	2.10		117	4275	12.68	46	2.20	144	3469		10.29	44	2.60	169	2950	8.75	43		2.20																																																																																																																																																																																																																																																																																																																					
67	5022	22.14	34	1.50	76			4418	19.48	33			1.70	89	3756	16.56			33	1.95	102	3307			14.58	32	2.20	117		2867	12.64	31	2.40	147	2279	10.05		30	2.70	152	2202	9.71	29	2.10		179	1871	8.25	29	2.40	204	1649		7.27	77	2.60	235	1429	6.30	78	3.10		26	19214	56.99	70	0.85	GFA157 GFAF157 GF157 GFF157	4P		29	17070	50.63	71	0.95			33	15260	45.26	71	1.10	38		13267		39.35	71	1.25			46	10765	31.93	70			1.55	54	9292	27.56			69	1.85	55	9032		26.79	69	1.65	GFA157 GFAF157 GF157 GFF157	4P	62	8011		23.76	68	1.65			70	7158	21.23		67	2.30			79	6322	18.75				66	2.40	88				5641	16.73	64			3.00	105		4757		14.11	48	3.50	40	12384	36.73	49		0.90	GFA127 GFAF127 GF127 GFF127	4P	46	10732	31.83	49		1.10			58	8537	25.32	49		1.35			69	7239	21.47				49	1.60	81			6190		18.36	48			1.65	91	5499		16.31	48	1.90	102	4916	14.58	47		2.10	117	4275	12.68	46	2.20	144	3469		10.29	44	2.60	169	2950	8.75	43		2.20																																																																																																																																																																																																																																																																																																																													
76	4418	19.48	33	1.70	89			3756	16.56	33			1.95	102	3307	14.58			32	2.20	117	2867		12.64	31	2.40	147	2279		10.05	30	2.70	152	2202	9.71	29		2.10	179	1871	8.25	29	2.40	204		1649	7.27	77	2.60	235	1429	6.30		78	3.10	26	19214	56.99	70	0.85	GFA157 GFAF157 GF157 GFF157		4P	29	17070	50.63	71			0.95	33	15260	45.26	71	1.10			38	13267	39.35	71	1.25	46		10765		31.93	70	1.55			54	9292	27.56	69			1.85	55	9032	26.79		69	1.65	GFA157 GFAF157 GF157 GFF157	4P	62		8011	23.76	68			1.65	70		7158	21.23	67			2.30	79	6322		18.75	66			2.40	88	5641				16.73	64	3.00				105	4757	14.11		48	3.50	40	12384	36.73		49	0.90	GFA127 GFAF127 GF127 GFF127	4P	46	10732	31.83		49			1.10	58	8537	25.32		49			1.35	69	7239	21.47		49			1.60	81	6190				18.36	48	1.65			91	5499	16.31	48		1.90	102	4916	14.58		47	2.10	117	4275	12.68	46	2.20		144	3469	10.29	44	2.60	169	2950	8.75		43	2.20																																																																																																																																																																																																																																																																																																																																				
89	3756	16.56	33	1.95	102			3307	14.58	32			2.20	117	2867	12.64		31	2.40	147	2279	10.05		30	2.70	152	2202	9.71		29	2.10	179	1871	8.25	29	2.40		204	1649	7.27	77	2.60	235	1429		6.30	78	3.10	26	19214	56.99	70		0.85	GFA157 GFAF157 GF157 GFF157	4P	29	17070	50.63	71		0.95		33	15260	45.26	71			1.10	38	13267	39.35	71	1.25			46	10765	31.93	70	1.55	54		9292		27.56	69	1.85			55	9032	26.79	69		1.65	GFA157 GFAF157 GF157 GFF157	4P	62	8011		23.76	68			1.65		70	7158	21.23			67	2.30		79	6322	18.75			66	2.40	88		5641	16.73			64	3.00	105				4757	14.11	48		3.50	40	12384	36.73	49		0.90	GFA127 GFAF127 GF127 GFF127	4P	46	10732		31.83	49			1.10	58	8537		25.32			49	1.35	69	7239		21.47			49	1.60	81	6190		18.36			48	1.65	91		5499		16.31	48	1.90		102	4916	14.58	47	2.10		117	4275	12.68	46		2.20	144	3469	10.29	44	2.60	169		2950	8.75	43	2.20																																																																																																																																																																																																																																																																																																																																											
102	3307	14.58	32	2.20	117			2867	12.64	31		2.40	147	2279	10.05	30		2.70	152	2202	9.71	29		2.10	179	1871	8.25	29		2.40	204	1649	7.27	77	2.60	235		1429	6.30	78	3.10	26	19214	56.99		70	0.85	GFA157 GFAF157 GF157 GFF157	4P	29	17070	50.63	71	0.95			33	15260	45.26	71		1.10		38	13267	39.35	71			1.25	46	10765	31.93	70	1.55			54	9292	27.56	69	1.85	55		9032		26.79	69	1.65		GFA157 GFAF157 GF157 GFF157	4P	62	8011	23.76		68			1.65	70		7158	21.23			67		2.30	79	6322			18.75	66		2.40	88	5641			16.73	64	3.00		105	4757			14.11	48	3.50	40		12384	36.73	49	0.90		GFA127 GFAF127 GF127 GFF127	4P	46	10732	31.83		49			1.10	58		8537	25.32			49	1.35	69		7239			21.47	49	1.60	81		6190			18.36	48	1.65	91	5499	16.31			48	1.90	102		4916	14.58	47	2.10	117		4275	12.68	46	2.20	144		3469	10.29	44	2.60		169	2950	8.75	43	2.20																																																																																																																																																																																																																																																																																																																																																		
117	2867	12.64	31	2.40	147		2279	10.05	30	2.70		152	2202	9.71	29	2.10		179	1871	8.25	29	2.40		204	1649	7.27	77	2.60		235	1429	6.30	78	3.10	26	19214		56.99	70	0.85	GFA157 GFAF157 GF157 GFF157	4P	29	17070	50.63	71	0.95			33	15260	45.26	71	1.10			38	13267	39.35	71		1.25		46	10765	31.93	70			1.55	54	9292	27.56	69	1.85			55	9032	26.79	69	1.65	GFA157 GFAF157 GF157 GFF157		4P	62	8011	23.76	68				1.65	70	7158		21.23			67	2.30		79	6322			18.75		66	2.40	88			5641	16.73		64	3.00	105			4757	14.11	48	3.50	40	12384		36.73	49	0.90	GFA127 GFAF127 GF127 GFF127	4P		46	10732	31.83	49				1.10	58	8537		25.32			49	1.35		69	7239			21.47	49	1.60		81			6190	18.36	48	1.65	91	5499			16.31	48	1.90	102	4916	14.58		47	2.10	117	4275		12.68	46	2.20	144	3469		10.29	44	2.60	169	2950		8.75	43	2.20																																																																																																																																																																																																																																																																																																																																																									
147	2279	10.05	30	2.70	152		2202	9.71	29	2.10		179	1871	8.25	29	2.40		204	1649	7.27	77	2.60		235	1429	6.30	78	3.10		26	19214	56.99	70	0.85	GFA157 GFAF157 GF157 GFF157	4P	29	17070	50.63	71			0.95	33	15260	45.26	71			1.10	38	13267	39.35	71			1.25	46	10765	31.93		70		1.55	54	9292	27.56			69	1.85	55	9032	26.79	69		1.65	GFA157 GFAF157 GF157 GFF157	4P	62	8011	23.76				68	1.65	70	7158				21.23	67	2.30		79			6322	18.75		66	2.40			88		5641	16.73	64			3.00	105	4757	14.11	48	3.50		40	12384	36.73	49	0.90	GFA127 GFAF127 GF127 GFF127	4P		46	10732	31.83				49	1.10	58	8537				25.32	49	1.35		69			7239	21.47		49	1.60			81	6190	18.36	48	1.65			91	5499	16.31	48	1.90	102		4916	14.58	47	2.10	117	4275	12.68		46	2.20	144	3469		10.29	44	2.60	169	2950		8.75	43	2.20																																																																																																																																																																																																																																																																																																																																																															
152	2202	9.71	29	2.10	179		1871	8.25	29	2.40		204	1649	7.27	77	2.60		235	1429	6.30	78	3.10		26	19214	56.99	70	0.85	GFA157 GFAF157 GF157 GFF157	4P	29	17070	50.63	71			0.95	33	15260	45.26			71	1.10	38	13267	39.35			71	1.25	46	10765	31.93			70	1.55	54	9292		27.56		69	1.85	55	9032		26.79	69	1.65	GFA157 GFAF157 GF157 GFF157	4P	62	8011		23.76			68	1.65	70				7158	21.23	67	2.30				79	6322	18.75		66			2.40	88		5641	16.73			64	3.00	105	4757	14.11		48	3.50	40	12384	36.73	49	0.90		GFA127 GFAF127 GF127 GFF127	4P	46	10732	31.83				49	1.10	58				8537	25.32	49	1.35				69	7239	21.47		49			1.60	81	6190	18.36	48			1.65	91	5499	16.31	48		1.90	102	4916	14.58	47	2.10	117		4275	12.68	46	2.20	144	3469	10.29		44	2.60	169	2950		8.75	43	2.20																																																																																																																																																																																																																																																																																																																																																																					
179	1871	8.25	29	2.40	204		1649	7.27	77	2.60		235	1429	6.30	78	3.10		26	19214	56.99	70	0.85	GFA157 GFAF157 GF157 GFF157	4P	29	17070	50.63	71			0.95	33	15260	45.26			71	1.10	38	13267			39.35	71	1.25	46	10765			31.93	70	1.55	54	9292			27.56	69	1.85	55		9032	26.79	69	1.65	GFA157 GFAF157 GF157 GFF157	4P		62	8011	23.76			68	1.65		70			7158	21.23	67				2.30	79	6322	18.75				66	2.40	88		5641			16.73	64	3.00	105	4757		14.11	48	3.50	40	12384	36.73		49	0.90	GFA127 GFAF127 GF127 GFF127	4P	46	10732	31.83				49	1.10	58				8537	25.32	49				1.35	69	7239	21.47				49	1.60	81	6190	18.36			48	1.65	91	5499	16.31		48	1.90	102	4916	14.58	47		2.10	117	4275	12.68	46	2.20	144		3469	10.29	44	2.60	169	2950	8.75		43	2.20																																																																																																																																																																																																																																																																																																																																																																											
204	1649	7.27	77	2.60	235		1429	6.30	78	3.10		26	19214	56.99	70	0.85	GFA157 GFAF157 GF157 GFF157	4P	29	17070	50.63	71			0.95	33	15260	45.26			71	1.10	38	13267			39.35	71	1.25	46			10765	31.93	70	1.55	54			9292	27.56	69	1.85	55		9032	26.79	69	1.65	GFA157 GFAF157 GF157 GFF157		4P	62	8011	23.76				68	1.65	70			7158	21.23		67			2.30	79	6322				18.75	66	2.40	88				5641	16.73	64	3.00	105		4757	14.11	48	3.50	40	12384		36.73	49	0.90	GFA127 GFAF127 GF127 GFF127	4P	46		10732	31.83			49	1.10	58				8537	25.32	49				1.35	69	7239				21.47	49	1.60	81	6190			18.36	48	1.65	91	5499		16.31	48	1.90	102	4916	14.58		47	2.10	117	4275	12.68	46		2.20	144	3469	10.29	44	2.60	169		2950	8.75	43	2.20																																																																																																																																																																																																																																																																																																																																																																																	
235	1429	6.30	78	3.10	26		19214	56.99	70	0.85	GFA157 GFAF157 GF157 GFF157	4P	29	17070	50.63	71			0.95	33	15260	45.26			71	1.10	38	13267			39.35	71	1.25	46			10765	31.93	70	1.55			54	9292	27.56	69	1.85		55	9032	26.79	69	1.65	GFA157 GFAF157 GF157 GFF157		4P	62	8011	23.76				68	1.65	70				7158	21.23	67			2.30	79		6322			18.75	66	2.40				88	5641	16.73	64	3.00		105	4757	14.11	48	3.50	40		12384	36.73	49	0.90	GFA127 GFAF127 GF127 GFF127	4P		46	10732	31.83			49		1.10	58			8537	25.32	49				1.35	69	7239				21.47	49	1.60			81	6190	18.36	48	1.65	91		5499	16.31	48	1.90	102	4916		14.58	47	2.10	117	4275	12.68		46	2.20	144	3469	10.29	44		2.60	169	2950	8.75	43	2.20																																																																																																																																																																																																																																																																																																																																																																																							
26	19214	56.99	70	0.85	GFA157 GFAF157 GF157 GFF157	4P	29	17070	50.63	71			0.95	33	15260	45.26			71	1.10	38	13267			39.35	71	1.25	46			10765	31.93	70	1.55			54	9292	27.56	69		1.85	55	9032	26.79	69	1.65		GFA157 GFAF157 GF157 GFF157	4P	62	8011	23.76				68	1.65	70				7158	21.23	67				2.30	79	6322			18.75	66		2.40			88	5641	16.73		64	3.00	105	4757	14.11	48	3.50		40	12384	36.73	49	0.90	GFA127 GFAF127 GF127 GFF127		4P	46	10732	31.83				49	1.10	58			8537		25.32	49			1.35	69	7239				21.47	49	1.60			81	6190	18.36	48		1.65	91	5499	16.31	48	1.90	102		4916	14.58	47	2.10	117	4275		12.68	46	2.20	144	3469	10.29		44	2.60	169	2950	8.75	43		2.20																																																																																																																																																																																																																																																																																																																																																																																												
29	17070	50.63	71	0.95			33	15260	45.26	71			1.10	38	13267	39.35			71	1.25	46	10765			31.93	70	1.55	54			9292	27.56	69	1.85		55	9032	26.79	69	1.65		GFA157 GFAF157 GF157 GFF157	4P	62	8011	23.76	68				1.65	70	7158				21.23	67	2.30				79	6322	18.75				66	2.40	88			5641	16.73	64	3.00		105	4757	14.11	48		3.50	40	12384	36.73	49	0.90	GFA127 GFAF127 GF127 GFF127		4P	46	10732	31.83	49				1.10	58	8537				25.32	49	1.35			69		7239	21.47			49	1.60	81	6190			18.36	48	1.65		91	5499	16.31	48	1.90		102	4916	14.58	47	2.10	117	4275		12.68	46	2.20	144	3469	10.29		44	2.60	169	2950	8.75	43		2.20																																																																																																																																																																																																																																																																																																																																																																																																			
33	15260	45.26	71	1.10			38	13267	39.35	71			1.25	46	10765	31.93			70	1.55	54	9292			27.56	69	1.85	55		9032	26.79	69	1.65	GFA157 GFAF157 GF157 GFF157		4P	62	8011	23.76	68				1.65	70	7158	21.23				67	2.30	79				6322	18.75	66				2.40	88	5641			16.73	64	3.00	105		4757	14.11	48	3.50	40		12384	36.73	49	0.90		GFA127 GFAF127 GF127 GFF127	4P	46	10732	31.83	49				1.10	58	8537	25.32				49	1.35	69				7239	21.47	49			1.60	81	6190	18.36			48	1.65	91	5499		16.31	48	1.90	102		4916	14.58	47	2.10	117		4275	12.68	46	2.20	144	3469	10.29		44	2.60	169	2950	8.75	43		2.20																																																																																																																																																																																																																																																																																																																																																																																																										
38	13267	39.35	71	1.25			46	10765	31.93	70			1.55	54	9292	27.56			69	1.85	55	9032		26.79	69	1.65	GFA157 GFAF157 GF157 GFF157	4P		62	8011	23.76	68				1.65	70	7158	21.23				67	2.30	79	6322				18.75	66	2.40				88	5641	16.73		64		3.00	105	4757		14.11	48	3.50	40	12384		36.73	49	0.90	GFA127 GFAF127 GF127 GFF127	4P		46	10732	31.83	49				1.10	58	8537	25.32				49	1.35	69	7239				21.47	49	1.60			81	6190	18.36	48			1.65	91	5499	16.31		48	1.90	102	4916	14.58		47	2.10	117	4275		12.68	46	2.20	144	3469		10.29	44	2.60	169	2950	8.75	43		2.20																																																																																																																																																																																																																																																																																																																																																																																																																	
46	10765	31.93	70	1.55			54	9292	27.56	69			1.85	55	9032	26.79		69	1.65	GFA157 GFAF157 GF157 GFF157	4P	62		8011	23.76	68				1.65	70	7158	21.23				67	2.30	79	6322				18.75	66	2.40	88				5641	16.73	64		3.00		105	4757	14.11		48	3.50	40	12384	36.73		49	0.90	GFA127 GFAF127 GF127 GFF127	4P	46		10732	31.83	49				1.10	58	8537	25.32				49	1.35	69	7239				21.47	49	1.60	81		6190		18.36	48	1.65			91	5499	16.31	48		1.90	102	4916	14.58	47		2.10	117	4275	12.68	46		2.20	144	3469	10.29		44	2.60	169	2950	8.75		43	2.20																																																																																																																																																																																																																																																																																																																																																																																																																								
54	9292	27.56	69	1.85			55	9032	26.79	69		1.65	GFA157 GFAF157 GF157 GFF157	4P	62	8011		23.76	68			1.65		70	7158	21.23				67	2.30	79	6322				18.75	66	2.40	88				5641	16.73	64	3.00	105			4757	14.11	48		3.50	40	12384	36.73	49		0.90	GFA127 GFAF127 GF127 GFF127	4P	46	10732		31.83	49			1.10		58	8537	25.32				49	1.35	69	7239				21.47	49	1.60	81		6190		18.36	48	1.65	91		5499		16.31	48	1.90		102	4916	14.58	47	2.10		117	4275	12.68	46	2.20		144	3469	10.29	44	2.60		169	2950	8.75	43		2.20																																																																																																																																																																																																																																																																																																																																																																																																																															
55	9032	26.79	69	1.65		GFA157 GFAF157 GF157 GFF157	4P	62	8011	23.76		68			1.65	70		7158	21.23			67		2.30	79	6322				18.75	66	2.40	88				5641	16.73	64	3.00	105			4757	14.11	48	3.50	40		12384	36.73	49	0.90		GFA127 GFAF127 GF127 GFF127	4P	46	10732	31.83		49			1.10	58		8537	25.32			49		1.35	69	7239				21.47	49	1.60	81	6190			18.36	48	1.65	91		5499		16.31	48	1.90	102		4916	14.58	47	2.10	117		4275	12.68	46	2.20	144		3469	10.29	44	2.60	169		2950	8.75	43	2.20																																																																																																																																																																																																																																																																																																																																																																																																																																							
62	8011	23.76	68	1.65				70	7158	21.23		67			2.30	79		6322	18.75			66		2.40	88	5641				16.73	64	3.00	105		4757		14.11	48	3.50	40	12384		36.73	49	0.90	GFA127 GFAF127 GF127 GFF127	4P	46		10732	31.83	49	1.10				58	8537	25.32		49			1.35	69		7239	21.47			49		1.60	81	6190			18.36	48	1.65	91	5499	16.31			48	1.90	102	4916		14.58	47	2.10	117	4275	12.68		46	2.20	144	3469	10.29		44	2.60	169	2950	8.75		43	2.20																																																																																																																																																																																																																																																																																																																																																																																																																																															
70	7158	21.23	67	2.30				79	6322	18.75		66			2.40	88		5641	16.73			64		3.00	105	4757			14.11	48	3.50	40	12384		36.73	49	0.90	GFA127 GFAF127 GF127 GFF127	4P	46	10732		31.83	49	1.10			58		8537	25.32	49	1.35				69	7239	21.47		49			1.60	81		6190	18.36			48	1.65	91	5499	16.31			48	1.90	102	4916	14.58	47		2.10	117	4275	12.68	46		2.20	144	3469	10.29	44	2.60		169	2950	8.75	43	2.20																																																																																																																																																																																																																																																																																																																																																																																																																																																								
79	6322	18.75	66	2.40				88	5641	16.73		64			3.00	105		4757	14.11			48	3.50	40	12384	36.73		49	0.90	GFA127 GFAF127 GF127 GFF127	4P	46	10732		31.83	49	1.10			58	8537		25.32	49	1.35			69		7239	21.47	49	1.60				81	6190	18.36		48			1.65	91	5499	16.31	48			1.90	102	4916	14.58	47		2.10	117	4275	12.68	46	2.20	144		3469	10.29	44	2.60	169		2950	8.75	43	2.20																																																																																																																																																																																																																																																																																																																																																																																																																																																																
88	5641	16.73	64	3.00				105	4757	14.11		48			3.50	40	12384	36.73	49		0.90	GFA127 GFAF127 GF127 GFF127	4P	46	10732	31.83		49	1.10			58	8537		25.32	49	1.35			69	7239		21.47	49	1.60			81		6190	18.36	48	1.65				91	5499	16.31	48	1.90			102	4916	14.58	47	2.10		117	4275	12.68	46	2.20	144		3469	10.29	44	2.60	169	2950	8.75		43	2.20																																																																																																																																																																																																																																																																																																																																																																																																																																																																								
105	4757	14.11	48	3.50				40	12384	36.73	49	0.90		GFA127 GFAF127 GF127 GFF127	4P	46	10732	31.83	49		1.10			58	8537	25.32		49	1.35			69	7239		21.47	49	1.60			81	6190		18.36	48	1.65			91		5499	16.31	48	1.90	102			4916	14.58	47	2.10	117		4275	12.68	46	2.20	144	3469		10.29	44	2.60	169	2950	8.75		43	2.20																																																																																																																																																																																																																																																																																																																																																																																																																																																																																
40	12384	36.73	49	0.90	GFA127 GFAF127 GF127 GFF127		4P	46	10732	31.83	49	1.10				58	8537	25.32	49		1.35			69	7239	21.47		49	1.60			81	6190		18.36	48	1.65			91	5499		16.31	48	1.90			102	4916	14.58	47	2.10	117	4275		12.68	46	2.20	144	3469	10.29		44	2.60	169	2950	8.75	43		2.20																																																																																																																																																																																																																																																																																																																																																																																																																																																																																								
46	10732	31.83	49	1.10				58	8537	25.32	49	1.35				69	7239	21.47	49		1.60			81	6190	18.36		48	1.65			91	5499		16.31	48	1.90			102	4916	14.58	47	2.10	117		4275	12.68	46	2.20	144	3469	10.29	44		2.60	169	2950	8.75	43	2.20																																																																																																																																																																																																																																																																																																																																																																																																																																																																																																	
58	8537	25.32	49	1.35				69	7239	21.47	49	1.60				81	6190	18.36	48		1.65			91	5499	16.31		48	1.90			102	4916	14.58	47	2.10	117		4275	12.68	46	2.20	144	3469	10.29		44	2.60	169	2950	8.75	43	2.20																																																																																																																																																																																																																																																																																																																																																																																																																																																																																																									
69	7239	21.47	49	1.60				81	6190	18.36	48	1.65				91	5499	16.31	48		1.90			102	4916	14.58	47	2.10	117		4275	12.68	46	2.20	144	3469	10.29		44	2.60	169	2950	8.75	43	2.20																																																																																																																																																																																																																																																																																																																																																																																																																																																																																																																	
81	6190	18.36	48	1.65				91	5499	16.31	48	1.90				102	4916	14.58	47	2.10	117		4275	12.68	46	2.20	144	3469	10.29		44	2.60	169	2950	8.75	43	2.20																																																																																																																																																																																																																																																																																																																																																																																																																																																																																																																									
91	5499	16.31	48	1.90				102	4916	14.58	47	2.10	117		4275	12.68	46	2.20	144	3469	10.29		44	2.60	169	2950	8.75	43	2.20																																																																																																																																																																																																																																																																																																																																																																																																																																																																																																																																	
102	4916	14.58	47	2.10		117	4275	12.68	46	2.20	144	3469	10.29		44	2.60	169	2950	8.75	43	2.20																																																																																																																																																																																																																																																																																																																																																																																																																																																																																																																																									
117	4275	12.68	46	2.20		144	3469	10.29	44	2.60	169	2950	8.75		43	2.20																																																																																																																																																																																																																																																																																																																																																																																																																																																																																																																																														
144	3469	10.29	44	2.60		169	2950	8.75	43	2.20																																																																																																																																																																																																																																																																																																																																																																																																																																																																																																																																																				
169	2950	8.75	43	2.20																																																																																																																																																																																																																																																																																																																																																																																																																																																																																																																																																										

选型参数表
(恒功率)

Selection Table
(Constant Power)

n_a [r/min]	Ma [Nm]	i	F_{ra} [kN]	f_B	机型号 Type size	极数 Pole	n_a [r/min]	Ma [Nm]	i	F_{ra} [kN]	f_B	机型号 Type size	极数 Pole																																																																																																																																																																																																																																																																																																								
55kW							90kW																																																																																																																																																																																																																																																																																																														
189	2637	7.82	42	2.10	GFA127	4P	56	14681	26.79	57	1.00	GFA157 GFAF157 GF157 GFF157	4P																																																																																																																																																																																																																																																																																																								
218	2293	6.80	41	2.90	GFAF127		268	1861	5.52	39	3.00			GF127	314	1591	4.72	38	3.60	GFF127	75kW							90kW							33	20809	45.26	60	0.80	GFA157	4P	106	7732	14.11	53	2.10	GFA127 GFAF127 GF127 GFF127	4P	38	18091	39.35	61	0.95	GFAF157	46	14680	31.93	62	1.15	GF157	54	12671	27.56	62	1.35	GFF157	55	12317	26.79	62	1.25	GFA157 GFAF157 GF157 GFF157	4P	59	13875	25.32	30	0.80	GFA127 GFAF127 GF127 GFF127	4P	62	10924	23.76	62	1.20	70	9761	21.23	62	1.70	79	8620	18.75	61	1.80	88	7692	16.73	60	2.20	GFA127 GFAF127 GF127 GFF127	4P	69	11766	21.47	39	0.95	105	6487	14.11	59	2.50	131	5177	11.26	57	2.80	81	10061	18.36	40	1.00	88	7692	16.73	60	2.20	GFA127 GFAF127 GF127 GFF127	4P	81	10061	18.36	40	1.00	91	7499	16.31	43	1.40	102	6703	14.58	43	1.55	117	5830	12.68	43	1.65	117	5830	12.68	43	1.65	GFA127 GFAF127 GF127 GFF127	4P	91	8938	16.31	40	1.15	144	4731	10.29	41	1.95	169	4023	8.75	40	1.65	189	3595	7.82	38	1.55	189	3595	7.82	38	1.55	GFA127 GFAF127 GF127 GFF127	4P	102	7990	14.58	40	1.30	218	3126	6.80	38	2.10	268	2538	5.52	36	2.20	311	2188	4.76	36	2.70	90kW							110kW							47	17498	31.93	58	0.95	GFA157 GFAF157 GF157 GFF157	4P	54	18459	27.56	48	0.90	GFA157 GFAF157 GF157 GFF157	4P	54	15103	27.56	58	1.10								70	14219	21.23	45	1.15	GFA157 GFAF157 GF157 GFF157	4P								79	12558	18.75	45	1.20								89	11205	16.73	45	1.50								106	9451	14.11	43	1.70								132	7542	11.26	42	1.90											
268	1861	5.52	39	3.00	GF127		314	1591	4.72	38	3.60			GFF127	75kW							90kW							33	20809	45.26	60	0.80	GFA157	4P	106	7732	14.11	53	2.10		GFA127 GFAF127 GF127 GFF127	4P	38	18091	39.35			61	0.95	GFAF157	46	14680	31.93	62	1.15	GF157	54	12671	27.56	62	1.35	GFF157	55	12317	26.79	62	1.25	GFA157 GFAF157 GF157 GFF157	4P	59			13875	25.32	30	0.80	GFA127 GFAF127 GF127 GFF127			4P	62	10924	23.76	62	1.20	70	9761	21.23	62	1.70	79	8620	18.75	61	1.80	88	7692	16.73	60			2.20	GFA127 GFAF127 GF127 GFF127	4P	69	11766	21.47	39	0.95	105	6487	14.11	59	2.50	131	5177	11.26	57	2.80	81	10061	18.36	40	1.00	88	7692			16.73	60	2.20	GFA127 GFAF127 GF127 GFF127	4P	81	10061	18.36	40	1.00	91	7499	16.31	43	1.40	102	6703	14.58	43	1.55	117	5830	12.68	43	1.65			117	5830	12.68	43	1.65	GFA127 GFAF127 GF127 GFF127	4P	91	8938	16.31	40	1.15	144	4731	10.29	41	1.95	169	4023	8.75	40	1.65	189	3595	7.82			38	1.55	189	3595	7.82	38	1.55	GFA127 GFAF127 GF127 GFF127	4P	102	7990	14.58	40	1.30	218	3126	6.80	38	2.10	268	2538	5.52	36	2.20	311	2188	4.76	36	2.70	90kW							110kW							47	17498	31.93			58	0.95	GFA157 GFAF157 GF157 GFF157	4P	54	18459	27.56	48	0.90	GFA157 GFAF157 GF157 GFF157	4P	54	15103	27.56	58	1.10								70	14219	21.23	45	1.15	GFA157 GFAF157 GF157 GFF157	4P								79	12558	18.75	45	1.20								89	11205	16.73	45	1.50								106	9451	14.11	43	1.70								132	7542	11.26	42	1.90
314	1591	4.72	38	3.60	GFF127																																																																																																																																																																																																																																																																																																																
75kW							90kW																																																																																																																																																																																																																																																																																																														
33	20809	45.26	60	0.80	GFA157	4P	106	7732	14.11	53	2.10	GFA127 GFAF127 GF127 GFF127	4P																																																																																																																																																																																																																																																																																																								
38	18091	39.35	61	0.95	GFAF157		46	14680	31.93	62	1.15			GF157	54	12671	27.56	62	1.35	GFF157	55	12317	26.79	62	1.25	GFA157 GFAF157 GF157 GFF157	4P	59	13875	25.32	30	0.80	GFA127 GFAF127 GF127 GFF127	4P	62	10924	23.76	62	1.20	70	9761	21.23	62	1.70	79	8620	18.75	61	1.80	88	7692	16.73	60	2.20	GFA127 GFAF127 GF127 GFF127	4P	69	11766	21.47	39	0.95	105	6487	14.11	59	2.50	131	5177	11.26	57	2.80	81	10061	18.36	40	1.00	88	7692	16.73	60	2.20	GFA127 GFAF127 GF127 GFF127	4P	81	10061	18.36	40	1.00	91	7499	16.31	43	1.40	102	6703	14.58	43	1.55	117	5830	12.68	43	1.65	117	5830	12.68	43	1.65	GFA127 GFAF127 GF127 GFF127	4P	91	8938	16.31	40	1.15	144	4731	10.29	41	1.95	169	4023	8.75	40	1.65	189	3595	7.82	38	1.55	189	3595	7.82	38	1.55	GFA127 GFAF127 GF127 GFF127	4P	102	7990	14.58	40	1.30	218	3126	6.80	38	2.10	268	2538	5.52	36	2.20	311	2188	4.76	36	2.70	90kW							110kW							47	17498	31.93	58	0.95	GFA157 GFAF157 GF157 GFF157	4P	54	18459	27.56	48	0.90	GFA157 GFAF157 GF157 GFF157	4P	54	15103	27.56	58	1.10								70	14219	21.23	45	1.15	GFA157 GFAF157 GF157 GFF157	4P								79	12558	18.75	45	1.20								89	11205	16.73	45	1.50								106	9451	14.11	43	1.70								132	7542	11.26	42	1.90																																																									
46	14680	31.93	62	1.15	GF157		54	12671	27.56	62	1.35			GFF157	55	12317	26.79	62	1.25	GFA157 GFAF157 GF157 GFF157	4P	59	13875	25.32	30			0.80	GFA127 GFAF127 GF127 GFF127	4P	62	10924			23.76	62	1.20	70	9761	21.23	62	1.70	79	8620	18.75	61	1.80	88	7692	16.73	60	2.20	GFA127 GFAF127 GF127 GFF127	4P			69	11766	21.47	39	0.95	105	6487	14.11	59	2.50	131	5177	11.26	57	2.80	81	10061	18.36	40	1.00	88	7692	16.73	60	2.20			GFA127 GFAF127 GF127 GFF127	4P	81	10061	18.36	40	1.00	91	7499	16.31	43	1.40	102	6703	14.58	43	1.55	117	5830	12.68	43	1.65	117	5830	12.68			43	1.65	GFA127 GFAF127 GF127 GFF127	4P	91	8938	16.31	40	1.15	144	4731	10.29	41	1.95	169	4023	8.75	40	1.65	189	3595	7.82	38	1.55	189			3595	7.82	38	1.55	GFA127 GFAF127 GF127 GFF127	4P	102	7990	14.58	40	1.30	218	3126	6.80	38	2.10	268	2538	5.52	36	2.20	311	2188	4.76	36	2.70	90kW							110kW								47	17498	31.93	58	0.95			GFA157 GFAF157 GF157 GFF157	4P	54	18459	27.56	48	0.90	GFA157 GFAF157 GF157 GFF157	4P	54	15103	27.56	58	1.10								70	14219	21.23	45	1.15	GFA157 GFAF157 GF157 GFF157	4P								79	12558	18.75	45	1.20								89	11205	16.73	45	1.50								106	9451	14.11	43	1.70								132	7542	11.26	42	1.90																																																
54	12671	27.56	62	1.35	GFF157																																																																																																																																																																																																																																																																																																																
55	12317	26.79	62	1.25	GFA157 GFAF157 GF157 GFF157	4P	59	13875	25.32	30	0.80	GFA127 GFAF127 GF127 GFF127	4P																																																																																																																																																																																																																																																																																																								
62	10924	23.76	62	1.20			70	9761	21.23	62	1.70			79	8620	18.75	61	1.80	88			7692	16.73	60	2.20	GFA127 GFAF127 GF127 GFF127	4P	69			11766	21.47	39	0.95	105	6487	14.11	59	2.50	131	5177	11.26	57	2.80	81	10061	18.36	40	1.00	88	7692	16.73			60	2.20	GFA127 GFAF127 GF127 GFF127	4P	81	10061	18.36	40	1.00	91	7499	16.31	43	1.40	102	6703	14.58	43	1.55	117	5830	12.68	43	1.65	117	5830	12.68	43	1.65			GFA127 GFAF127 GF127 GFF127	4P	91	8938	16.31	40	1.15	144	4731	10.29	41	1.95	169	4023	8.75	40	1.65	189	3595	7.82	38	1.55	189	3595	7.82	38	1.55			GFA127 GFAF127 GF127 GFF127	4P	102	7990	14.58	40	1.30	218	3126	6.80	38	2.10	268	2538	5.52	36	2.20	311	2188	4.76	36	2.70	90kW							110kW							47	17498	31.93	58	0.95	GFA157 GFAF157 GF157 GFF157	4P	54	18459	27.56	48	0.90	GFA157 GFAF157 GF157 GFF157	4P	54	15103	27.56	58	1.10								70	14219	21.23	45	1.15	GFA157 GFAF157 GF157 GFF157	4P								79	12558	18.75	45	1.20								89	11205	16.73	45	1.50								106	9451	14.11	43	1.70								132	7542	11.26	42	1.90																																																																														
70	9761	21.23	62	1.70			79	8620	18.75	61	1.80			88	7692	16.73	60	2.20	GFA127 GFAF127 GF127 GFF127	4P	69	11766	21.47	39	0.95			105	6487	14.11	59	2.50	131	5177	11.26	57	2.80	81	10061	18.36	40	1.00	88	7692	16.73	60	2.20	GFA127 GFAF127 GF127 GFF127	4P	81	10061	18.36	40	1.00	91	7499			16.31	43	1.40	102	6703	14.58	43	1.55	117	5830	12.68	43	1.65	117	5830	12.68	43	1.65	GFA127 GFAF127 GF127 GFF127	4P	91	8938	16.31	40	1.15	144	4731			10.29	41	1.95	169	4023	8.75	40	1.65	189	3595	7.82	38	1.55	189	3595	7.82	38	1.55	GFA127 GFAF127 GF127 GFF127	4P	102	7990	14.58	40	1.30	218	3126			6.80	38	2.10	268	2538	5.52	36	2.20	311	2188	4.76	36	2.70	90kW							110kW							47	17498	31.93	58	0.95	GFA157 GFAF157 GF157 GFF157	4P	54	18459	27.56	48	0.90	GFA157 GFAF157 GF157 GFF157		4P	54	15103	27.56	58			1.10								70	14219	21.23	45	1.15	GFA157 GFAF157 GF157 GFF157	4P								79	12558	18.75	45	1.20								89	11205	16.73	45	1.50								106	9451	14.11	43	1.70								132	7542	11.26	42	1.90																																																																																		
79	8620	18.75	61	1.80																																																																																																																																																																																																																																																																																																																	
88	7692	16.73	60	2.20	GFA127 GFAF127 GF127 GFF127	4P	69	11766	21.47	39	0.95																																																																																																																																																																																																																																																																																																										
105	6487	14.11	59	2.50			131	5177	11.26	57	2.80	81	10061	18.36	40	1.00	88	7692			16.73	60	2.20	GFA127 GFAF127 GF127 GFF127	4P	81	10061	18.36	40	1.00	91	7499	16.31	43	1.40	102	6703	14.58	43	1.55	117	5830	12.68	43	1.65	117	5830			12.68	43	1.65	GFA127 GFAF127 GF127 GFF127	4P	91	8938	16.31	40	1.15	144	4731	10.29	41	1.95	169	4023	8.75	40	1.65	189	3595	7.82	38	1.55	189	3595			7.82	38	1.55	GFA127 GFAF127 GF127 GFF127	4P	102	7990	14.58	40	1.30	218	3126	6.80	38	2.10	268	2538	5.52	36	2.20	311	2188	4.76	36	2.70	90kW							110kW							47	17498	31.93	58	0.95	GFA157 GFAF157 GF157 GFF157	4P	54	18459	27.56	48	0.90	GFA157 GFAF157 GF157 GFF157	4P	54	15103	27.56	58	1.10								70	14219	21.23	45	1.15	GFA157 GFAF157 GF157 GFF157	4P								79	12558	18.75	45	1.20								89	11205	16.73	45	1.50								106	9451	14.11	43	1.70								132	7542	11.26	42	1.90																																																																																																															
131	5177	11.26	57	2.80			81	10061	18.36	40	1.00	88	7692	16.73	60	2.20	GFA127 GFAF127 GF127 GFF127	4P	81	10061	18.36	40	1.00			91	7499	16.31	43	1.40	102	6703	14.58	43	1.55	117	5830	12.68	43	1.65	117	5830	12.68	43	1.65	GFA127 GFAF127 GF127 GFF127	4P	91	8938	16.31	40	1.15			144	4731	10.29	41	1.95	169	4023	8.75	40	1.65	189	3595	7.82	38	1.55	189	3595	7.82	38	1.55	GFA127 GFAF127 GF127 GFF127	4P	102	7990	14.58	40	1.30			218	3126	6.80	38	2.10	268	2538	5.52	36	2.20	311	2188	4.76	36	2.70	90kW							110kW							47	17498	31.93	58	0.95	GFA157 GFAF157 GF157 GFF157	4P	54	18459	27.56	48		0.90	GFA157 GFAF157 GF157 GFF157	4P	54	15103			27.56	58	1.10								70	14219	21.23	45	1.15	GFA157 GFAF157 GF157 GFF157	4P										79	12558	18.75	45	1.20								89	11205	16.73	45	1.50								106	9451	14.11	43	1.70								132	7542	11.26	42	1.90																																																																																																															
81	10061	18.36	40	1.00																																																																																																																																																																																																																																																																																																																	
88	7692	16.73	60	2.20	GFA127 GFAF127 GF127 GFF127	4P	81	10061	18.36	40	1.00																																																																																																																																																																																																																																																																																																										
91	7499	16.31	43	1.40			102	6703	14.58	43	1.55	117	5830	12.68	43	1.65			117	5830	12.68	43	1.65	GFA127 GFAF127 GF127 GFF127	4P	91	8938	16.31	40	1.15	144	4731	10.29	41	1.95	169	4023	8.75	40	1.65	189	3595	7.82	38	1.55			189	3595	7.82	38	1.55	GFA127 GFAF127 GF127 GFF127	4P	102	7990	14.58	40	1.30	218	3126	6.80	38	2.10	268	2538	5.52	36	2.20	311	2188	4.76	36	2.70			90kW							110kW							47	17498	31.93	58	0.95	GFA157 GFAF157 GF157 GFF157	4P	54	18459	27.56	48	0.90	GFA157 GFAF157 GF157 GFF157	4P	54	15103	27.56	58	1.10								70	14219	21.23	45	1.15	GFA157 GFAF157 GF157 GFF157	4P								79	12558	18.75	45	1.20								89	11205	16.73	45			1.50								106	9451	14.11	43	1.70								132	7542	11.26	42	1.90																																																																																																																																								
102	6703	14.58	43	1.55			117	5830	12.68	43	1.65	117	5830	12.68	43	1.65	GFA127 GFAF127 GF127 GFF127	4P	91	8938	16.31	40	1.15			144	4731	10.29	41	1.95	169	4023	8.75	40	1.65	189	3595	7.82	38	1.55	189	3595	7.82	38	1.55	GFA127 GFAF127 GF127 GFF127	4P	102	7990	14.58	40	1.30			218	3126	6.80	38	2.10	268	2538	5.52	36	2.20	311	2188	4.76	36	2.70	90kW							110kW							47	17498	31.93	58	0.95	GFA157 GFAF157 GF157 GFF157	4P	54	18459	27.56	48	0.90	GFA157 GFAF157 GF157 GFF157		4P	54	15103	27.56	58			1.10								70	14219	21.23	45	1.15	GFA157 GFAF157 GF157 GFF157	4P								79	12558	18.75	45	1.20								89	11205	16.73	45	1.50								106	9451	14.11	43	1.70								132	7542	11.26	42	1.90																																																																																																																																														
117	5830	12.68	43	1.65																																																																																																																																																																																																																																																																																																																	
117	5830	12.68	43	1.65	GFA127 GFAF127 GF127 GFF127	4P	91	8938	16.31	40	1.15																																																																																																																																																																																																																																																																																																										
144	4731	10.29	41	1.95			169	4023	8.75	40	1.65	189	3595	7.82	38	1.55			189	3595	7.82	38	1.55	GFA127 GFAF127 GF127 GFF127	4P	102	7990	14.58	40	1.30	218	3126	6.80	38	2.10	268	2538	5.52	36	2.20	311	2188	4.76	36	2.70			90kW							110kW							47	17498	31.93	58	0.95	GFA157 GFAF157 GF157 GFF157	4P	54	18459	27.56	48	0.90	GFA157 GFAF157 GF157 GFF157	4P	54	15103	27.56	58	1.10								70	14219	21.23	45	1.15	GFA157 GFAF157 GF157 GFF157	4P								79	12558	18.75	45	1.20								89	11205	16.73	45			1.50								106	9451	14.11	43	1.70								132	7542	11.26	42	1.90																																																																																																																																																																					
169	4023	8.75	40	1.65			189	3595	7.82	38	1.55	189	3595	7.82	38	1.55	GFA127 GFAF127 GF127 GFF127	4P	102	7990	14.58	40	1.30			218	3126	6.80	38	2.10	268	2538	5.52	36	2.20	311	2188	4.76	36	2.70	90kW							110kW							47	17498	31.93	58	0.95	GFA157 GFAF157 GF157 GFF157	4P	54	18459	27.56	48	0.90	GFA157 GFAF157 GF157 GFF157		4P	54	15103	27.56	58			1.10								70	14219	21.23	45	1.15	GFA157 GFAF157 GF157 GFF157	4P								79	12558	18.75	45	1.20								89	11205	16.73	45	1.50								106	9451	14.11	43	1.70								132	7542	11.26	42	1.90																																																																																																																																																																											
189	3595	7.82	38	1.55																																																																																																																																																																																																																																																																																																																	
189	3595	7.82	38	1.55	GFA127 GFAF127 GF127 GFF127	4P	102	7990	14.58	40	1.30																																																																																																																																																																																																																																																																																																										
218	3126	6.80	38	2.10			268	2538	5.52	36	2.20	311	2188	4.76	36	2.70			90kW							110kW							47	17498	31.93	58	0.95	GFA157 GFAF157 GF157 GFF157	4P	54	18459	27.56	48	0.90	GFA157 GFAF157 GF157 GFF157	4P	54	15103	27.56	58	1.10								70	14219	21.23	45	1.15	GFA157 GFAF157 GF157 GFF157	4P								79	12558	18.75	45	1.20								89	11205	16.73	45			1.50								106	9451	14.11	43	1.70								132	7542	11.26	42	1.90																																																																																																																																																																																																		
268	2538	5.52	36	2.20			311	2188	4.76	36	2.70	90kW							110kW							47	17498	31.93	58	0.95	GFA157 GFAF157 GF157 GFF157	4P	54	18459	27.56	48	0.90	GFA157 GFAF157 GF157 GFF157		4P	54	15103	27.56	58			1.10								70	14219	21.23	45	1.15	GFA157 GFAF157 GF157 GFF157	4P								79	12558	18.75	45	1.20								89	11205	16.73	45	1.50								106	9451	14.11	43	1.70								132	7542	11.26	42	1.90																																																																																																																																																																																																								
311	2188	4.76	36	2.70																																																																																																																																																																																																																																																																																																																	
90kW							110kW																																																																																																																																																																																																																																																																																																														
47	17498	31.93	58	0.95	GFA157 GFAF157 GF157 GFF157	4P	54	18459	27.56	48	0.90	GFA157 GFAF157 GF157 GFF157	4P																																																																																																																																																																																																																																																																																																								
54	15103	27.56	58	1.10										70	14219	21.23	45	1.15	GFA157 GFAF157 GF157 GFF157	4P								79	12558	18.75	45	1.20								89	11205	16.73	45	1.50								106	9451	14.11	43	1.70								132	7542	11.26	42	1.90																																																																																																																																																																																																																																																	
							70	14219	21.23	45	1.15	GFA157 GFAF157 GF157 GFF157	4P																																																																																																																																																																																																																																																																																																								
							79	12558	18.75	45	1.20																																																																																																																																																																																																																																																																																																										
							89	11205	16.73	45	1.50																																																																																																																																																																																																																																																																																																										
							106	9451	14.11	43	1.70																																																																																																																																																																																																																																																																																																										
							132	7542	11.26	42	1.90																																																																																																																																																																																																																																																																																																										

选型参数表
(恒扭矩)

Selection Table
(Constant Torque)

Mamax [Nm]	n _a [r/min]	i	F _{ra} [kN]	机型号 Type size	P [kW]/4P	Mamax [Nm]	n _a [r/min]	i	F _{ra} [kN]	机型号 Type size	P [kW]/4P			
200	0.16	8193	4.1		0.12	400	2.1	619	5.6	GFA47R17	0.18			
	0.19	7064	4.1							GFAF47R17				
	0.20	6585	4.1							GF47R17				
	0.23	5756	4.1							GFF47R17				
	0.26	4963	4.1	GFA37R17						0.18				
	0.30	4434	4.1	GFAF37R17										
	0.34	3875	4.1	GF37R17										
	0.39	3392	4.1	GFF37R17										
	0.44	2965	4.1											
	0.51	2587	4.1											
	0.57	2284	4.1											
	0.66	1997	4.1											
	0.68	1929	4.1											
	0.78	1679	4.1											
	0.85	1550	4.1											
	1.0	1356	4.1											
	1.1	1180	4.1											
	1.3	1044	4.1	GFA37R17	0.12									
	1.4	914	4.1	GFAF37R17										
	1.6	808	4.1	GF37R17										
1.9	698	4.1	GFF37R17											
2.1	616	4.1												
2.4	544	4.1												
2.8	466	4.1												
3.2	411	4.1												
3.6	364	4.1												
4.0	326	4	GFA37R17	0.12										
			GFAF37R17											
			GF37R17											
			GFF37R17											
4.6	285	4.1	GFA37R17		0.18									
5.2	250	4.1	GFAF37R17											
6.0	219	4.1	GF37R17											
7.0	186	4.1	GFF37R17											
8.0	167	4.1	GFA37R17			0.25								
9.2	145	4.1	GFAF37R17											
10.3	129	4.1	GF37R17											
			GFF37R17											
400	0.11	12251	5.6				0.12	600	0.09	14832	8.7		0.12	
	0.12	10619	5.6									0.10		13604
	0.13	9846	5.6		0.10							12602		8.7
	0.15	8534	5.6		0.12							11252		8.7
	0.18	7460	5.6	GFA47R17	0.13							9986		8.7
	0.20	6536	5.6	GFAF47R17	0.15							8787		8.7
	0.23	5746	5.6	GF47R17	0.17	7908						8.7		
	0.26	5022	5.6	GFF47R17	0.19	6913						8.7		
	0.30	4401	5.6		0.22	6030						8.7		
	0.34	3883	5.6		0.25	5289						8.7		
	0.38	3443	5.6		0.28	4654	8.7							
	0.44	2976	5.6		0.32	4060	8.7							
	0.50	2629	5.6		0.37	3564	8.7							
	0.52	2519	5.6		0.41	3161	8.7							
	0.55	2394	5.6		0.46	2854	8.7							
	0.60	2172	5.6		0.51	2576	8.7							
	0.65	2025	5.6	GFA47R17	0.58	2266	8.7							
	0.74	1770	5.6	GFAF47R17	0.65	2012	8.7							
	0.83	1576	5.6	GF47R17	0.73	1791	8.7							
	0.96	1363	5.6	GFF47R17	0.81	1617	8.7							
1.1	1192	5.6		0.92	1422	8.7								
1.2	1061	5.6		1.1	1243	8.7								
1.4	931	5.6		1.2	1066	8.7								
1.6	822	5.6		1.4	949	8.7								
1.9	706	5.6		1.5	856	8.7								
				1.7	749	8.7								
				2.0	658	8.7								
				2.4	549	8.7								
				2.8	483	8.7								
				3.1	426	8.7								
				3.5	382	8.7								
				4.0	330	8.7								
				4.5	298	8.7								
				5.1	262	8.7								

选型参数表
(恒扭矩)

Selection Table
(Constant Torque)

Mamax [Nm]	n _a [r/min]	i	F _{ra} [kN]	机型号 Type size	P [kW]/4P	Mamax [Nm]	n _a [r/min]	i	F _{ra} [kN]	机型号 Type size	P [kW]/4P														
600	6.2	226	8.7	GFA57R37	0.55	1500	0.07	19180	15	GFA77R37 GFAF77R37 GF77R37 GFF77R37	0.12														
	7.0	200	8.7	GFAF57R37			0.07	17593	15																
				GF57R37			0.08	16128	15																
	8.2	170	8.7	GFF57R37	0.09		14978	15																	
				GFA57R37	0.10		13731	15																	
				GFAF57R37	0.11		12049	15																	
GF57R37				0.12	11035		15																		
GFF57R37				0.14	9683		15																		
9.1	152	8.7	GFA67R37	0.75	0.15		8464	15																	
10	134	8.7	GFAF67R37		0.17		7520	15																	
			GF67R37		0.20		6580	15																	
820	0.07	19199	8.7		GFA67R37 GFAF67R37 GF67R37 GFF67R37		0.12	0.23	5808			15													
	0.07	17610	8.7			0.26		5026	15																
	0.09	14992	8.7	0.30		4435		15																	
	0.10	12926	8.7	0.34		3832		15																	
	0.11	11480	8.7	0.44		2978		15																	
	0.13	10220	8.7	0.50		2613		15																	
	0.15	8933	8.7	0.57		2284		15																	
	0.16	7940	8.7	0.18		0.65		2029	15																
	0.18	7096	8.7			0.18		0.76	1728	15															
	0.22	6080	8.7					0.85	1544	15															
	0.25	5341	8.7	0.97				1354	15																
	0.28	4690	8.7	0.25		1.1		1200	15																
0.32	4091	8.7	0.37		1.3	1053	15																		
0.37	3574	8.7						0.55																	
0.42	3133	8.7			0.75	1.5	910		15																
0.48	2756	8.7								0.75															
0.54	2439	8.7				0.75	1.6		810		15														
0.39	3377	8.7					0.12		1.9		710	15													
0.45	2912	8.7							0.18		0.55	0.55	0.55												
0.48	2714	8.7												0.25											
0.55	2372	8.7													0.37										
0.62	2126	8.7														0.55									
0.80	1631	8.7															0.75								
0.91	1437	8.7		0.75																					
1.0	1256	8.7	0.75																						
1.2	1126	8.7						GFA67R37 GFAF67R37 GF67R37 GFF67R37										0.18	3000	0.06	23042	19	GFA87R57 GFAF87R57 GF87R57 GFF87R57	0.12	
					1.3															984	8.7	0.06			20462
										0.07												18238			19
1.5	864	8.7			GFA67R37 GFAF67R37 GF67R37 GFF67R37	0.25		0.08		15877								19							
							1.8	722		8.7								GFA67R37 GFAF67R37 GF67R37 GFF67R37		0.37	0.09	14099			19
2.1	634	8.7			GFA67R37 GFAF67R37 GF67R37 GFF67R37	0.55			0.11		12205	19													
							2.5	539	8.7	GFA67R37 GFAF67R37 GF67R37 GFF67R37	0.75	0.13	10433	19											
0.70	1884	10			GFA67R37 GFAF67R37 GF67R37 GFF67R37	0.12						0.14	9381	19											
							2.7	500	10	GFA67R37 GFAF67R37 GF67R37 GFF67R37	0.37	0.16	8142	19											
2.9	454	10			GFA67R37 GFAF67R37 GF67R37 GFF67R37	0.55						0.18	7100	19											
				3.4			392	10	GFA67R37 GFAF67R37 GF67R37 GFF67R37	0.75	0.21	6273	19												
4.2	333	10	GFA67R37 GFAF67R37 GF67R37 GFF67R37		0.75	0.24					5510	19													
				4.7		297	10	GFA67R37 GFAF67R37 GF67R37 GFF67R37	0.75	0.26	4954	19													
5.3	261	10	GFA67R37 GFAF67R37 GF67R37 GFF67R37		0.75																				
				5.8		238	10	GFA67R37 GFAF67R37 GF67R37 GFF67R37	0.75																
7.0	200	10	GFA67R37 GFAF67R37 GF67R37 GFF67R37		0.75																				

选型参数表
(恒扭矩)
Selection Table
(Constant Torque)

Mamax [Nm]	n _a [r/min]	i	F _{ra} [kN]	机型号 Type size	P [kW]/4P	Mamax [Nm]	n _a [r/min]	i	F _{ra} [kN]	机型号 Type size	P [kW]/4P		
3000	0.31	4245	19	GFA87R57 GFAF87R57 GF87R57 GFF87R57	0.18	4300	1.2	1171	28	GFA97R57 GFAF97R57 GF97R57 GFF97R57	0.75		
	0.35	3721	19	GFA87R57 GFAF87R57 GF87R57 GFF87R57			1.4	1022	28	GFA97R57 GFAF97R57 GF97R57 GFF97R57			
	0.40	3244	19	GFA87R57 GFAF87R57 GF87R57 GFF87R57			0.18	1.6	898	28		GFA97R57 GFAF97R57 GF97R57 GFF97R57	1.1
	0.45	2881	19	GFA87R57 GFAF87R57 GF87R57 GFF87R57				1.8	784	28		GFA97R57 GFAF97R57 GF97R57 GFF97R57	
	0.52	2576	19	GFA87R57 GFAF87R57 GF87R57 GFF87R57	0.25			2.0	690	28	GFA97R57 GFAF97R57 GF97R57 GFF97R57	1.5	
	0.60	2199	19	GFA87R57 GFAF87R57 GF87R57 GFF87R57				2.3	605	28	GFA97R57 GFAF97R57 GF97R57 GFF97R57		
	0.69	1930	19	GFA87R57 GFAF87R57 GF87R57 GFF87R57			0.37	2.6	529	28	GFA97R57 GFAF97R57 GF97R57 GFF97R57		2.2
	0.78	1709	19	GFA87R57 GFAF87R57 GF87R57 GFF87R57				3.0	467	28	GFA97R57 GFAF97R57 GF97R57 GFF97R57		
	0.89	1493	19	GFA87R57 GFAF87R57 GF87R57 GFF87R57	0.55			3.5	406	28	GFA97R57 GFAF97R57 GF97R57 GFF97R57	3	
	1.1	1300	19	GFA87R57 GFAF87R57 GF87R57 GFF87R57				3.9	363	28	GFA97R57 GFAF97R57 GF97R57 GFF97R57		
	1.2	1148	19	GFA87R57 GFAF87R57 GF87R57 GFF87R57			5.0	285	28	GFA97R57 GFAF97R57 GF97R57 GFF97R57			
	1.4	1010	19	GFA87R57 GFAF87R57 GF87R57 GFF87R57			0.75	5.8	245	28	GFA97R57 GFAF97R57 GF97R57 GFF97R57		
	1.6	887	19	GFA87R57 GFAF87R57 GF87R57 GFF87R57	7680			0.05	25416	47	GFA107R77 GFAF107R77 GF107R77 GFF107R77	0.12	
	1.8	780	19	GFA87R57 GFAF87R57 GF87R57 GFF87R57				0.06	21687	47	GFA107R77 GFAF107R77 GF107R77 GFF107R77		
	2.1	674	19	GFA87R57 GFAF87R57 GF87R57 GFF87R57				0.07	18963	47	GFA107R77 GFAF107R77 GF107R77 GFF107R77		
	2.3	609	19	GFA87R57 GFAF87R57 GF87R57 GFF87R57			0.08	16916	47	GFA107R77 GFAF107R77 GF107R77 GFF107R77			
	2.7	515	19	GFA87R57 GFAF87R57 GF87R57 GFF87R57	1.1		0.09	14791	47	GFA107R77 GFAF107R77 GF107R77 GFF107R77	0.18		
	3.1	452	19	GFA87R57 GFAF87R57 GF87R57 GFF87R57			0.11	11433	47	GFA107R77 GFAF107R77 GF107R77 GFF107R77			
	4.1	345	19	GFA87R57 GFAF87R57 GF87R57 GFF87R57			0.13	10055	47	GFA107R77 GFAF107R77 GF107R77 GFF107R77			
							0.15	8562	47	GFA107R77 GFAF107R77 GF107R77 GFF107R77			
4300	0.06	20813	28	GFA97R57 GFAF97R57 GF97R57 GFF97R57	0.12	0.17	7719	47	GFA107R77 GFAF107R77 GF107R77 GFF107R77	0.25			
	0.07	18119	28	GFA97R57 GFAF97R57 GF97R57 GFF97R57		0.20	6778	47	GFA107R77 GFAF107R77 GF107R77 GFF107R77				
	0.08	15472	28	GFA97R57 GFAF97R57 GF97R57 GFF97R57		0.22	5964	47	GFA107R77 GFAF107R77 GF107R77 GFF107R77				
	0.09	14022	28	GFA97R57 GFAF97R57 GF97R57 GFF97R57		0.25	5253	47	GFA107R77 GFAF107R77 GF107R77 GFF107R77				
	0.11	12324	28	GFA97R57 GFAF97R57 GF97R57 GFF97R57	0.37	0.29	4581	47	GFA107R77 GFAF107R77 GF107R77 GFF107R77	0.55			
	0.12	10838	28	GFA97R57 GFAF97R57 GF97R57 GFF97R57		0.38	3541	47	GFA107R77 GFAF107R77 GF107R77 GFF107R77				
	0.14	9576	28	GFA97R57 GFAF97R57 GF97R57 GFF97R57		0.46	3042	47	GFA107R77 GFAF107R77 GF107R77 GFF107R77				
	0.16	8318	28	GFA97R57 GFAF97R57 GF97R57 GFF97R57		0.50	2761	47	GFA107R77 GFAF107R77 GF107R77 GFF107R77				
	0.18	7328	28	GFA97R57 GFAF97R57 GF97R57 GFF97R57	0.18	0.59	2373	47	GFA107R77 GFAF107R77 GF107R77 GFF107R77	0.75			
	0.20	6469	28	GFA97R57 GFAF97R57 GF97R57 GFF97R57		0.67	2071	47	GFA107R77 GFAF107R77 GF107R77 GFF107R77				
	0.20	6515	28	GFA97R57 GFAF97R57 GF97R57 GFF97R57		0.76	1829	47	GFA107R77 GFAF107R77 GF107R77 GFF107R77				
	0.26	4961	28	GFA97R57 GFAF97R57 GF97R57 GFF97R57		0.87	1606	47	GFA107R77 GFAF107R77 GF107R77 GFF107R77				
	0.30	4333	28	GFA97R57 GFAF97R57 GF97R57 GFF97R57	0.25	0.99	1409	47	GFA107R77 GFAF107R77 GF107R77 GFF107R77	1.1			
	0.34	3906	28	GFA97R57 GFAF97R57 GF97R57 GFF97R57		1.1	1245	47	GFA107R77 GFAF107R77 GF107R77 GFF107R77				
	0.40	3352	28	GFA97R57 GFAF97R57 GF97R57 GFF97R57		1.3	1093	47	GFA107R77 GFAF107R77 GF107R77 GFF107R77				
	0.46	2907	28	GFA97R57 GFAF97R57 GF97R57 GFF97R57		1.5	956	47	GFA107R77 GFAF107R77 GF107R77 GFF107R77				
	0.52	2553	28	GFA97R57 GFAF97R57 GF97R57 GFF97R57	0.37	1.7	839	47	GFA107R77 GFAF107R77 GF107R77 GFF107R77	2.2			
	0.59	2245	28	GFA97R57 GFAF97R57 GF97R57 GFF97R57		1.9	740	47	GFA107R77 GFAF107R77 GF107R77 GFF107R77				
	0.68	1970	28	GFA97R57 GFAF97R57 GF97R57 GFF97R57		2.2	644	47	GFA107R77 GFAF107R77 GF107R77 GFF107R77				
	0.81	1722	28	GFA97R57 GFAF97R57 GF97R57 GFF97R57									
0.91	1527	28	GFA97R57 GFAF97R57 GF97R57 GFF97R57	0.55									
1.0	1327	28	GFA97R57 GFAF97R57 GF97R57 GFF97R57										

选型参数表
(恒扭矩)

Selection Table
(Constant Torque)

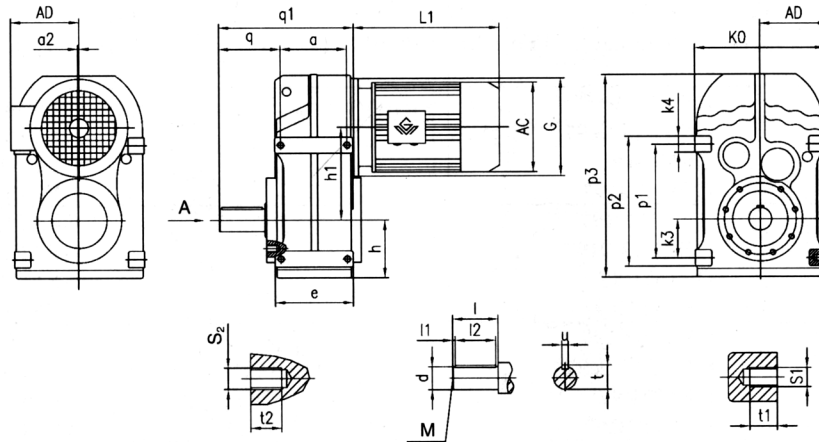
Mamax [Nm]	n_a [r/min]	i	F_{ra} [kN]	机型号 Type size	P [kW]/4P	Mamax [Nm]	n_a [r/min]	i	F_{ra} [kN]	机型号 Type size	P [kW]/4P
7680	2.5	565	47	GFA107R77 GFAF107R77 GF107R77 GFF107R77	3	12000	3.3	432	86	GFA127R77 GFAF127R77 GF127R77 GFF127R77	5.5
	2.9	492	47				3.8	379	86		
	3.3	438	47								
	3.9	372	47	GFA107R77 GFAF107R77 GF107R77 GFF107R77	4		3.0	486	86	GFA127R87 GFAF127R87 GF127R87 GFF127R87	5.5
	4.3	335	47				3.4	426	86		
				3.8	381		86				
				4.6	313		86	GFA127R87 GFAF127R87 GF127R87 GFF127R87	7.5		
				4.9	296		86				
12000	0.05	24448	86	GFA127R77 GFAF127R77 GF127R77 GFF127R77	0.12		5.5	260	86	GFA127R87 GFAF127R87 GF127R87 GFF127R87	7.5
	0.06	22289	86				6.5	221	86		
	0.07	19018	86								
	0.08	16630	86	GFA127R77 GFAF127R77 GF127R77 GFF127R77	0.18	7.5	195	86	GFA127R87 GFAF127R87 GF127R87 GFF127R87	11	
	0.09	14532	86								
	0.10	12896	86								
	0.11	11642	86	GFA127R77 GFAF127R77 GF127R77 GFF127R77	0.25						
	0.13	10251	86								
	0.15	8818	86								
				GFA127R77 GFAF127R77 GF127R77 GFF127R77	0.37	18000	0.04	31234	95		0.55
	0.17	7688	86				0.05	26007	95		
	0.20	6772	86	GFA127R77 GFAF127R77 GF127R77 GFF127R77			0.06	23315	95	GFA157R97 GFAF157R97 GF157R97 GFF157R97	
	0.22	5957	86				0.07	20083	95		
					0.08		17950	95			
					0.09		16254	95			
	0.27	5183	86	GFA127R77 GFAF127R77 GF127R77 GFF127R77	0.55		0.10	13664	95		
	0.30	4559	86				0.11	12212	95		
	0.36	3876	86								
	0.41	3410	86	GFA127R77 GFAF127R77 GF127R77 GFF127R77	0.75		0.14	9969	95	GFA157R97 GFAF157R97 GF157R97 GFF157R97	1.1
	0.46	3035	86			0.16	8964	95			
						0.17	8012	95			
				GFA127R77 GFAF127R77 GF127R77 GFF127R77	0.75	0.20	7030	95	GFA157R97 GFAF157R97 GF157R97 GFF157R97	0.55	
0.52	2668	86		0.22		6283	95				
0.59	2354	86	GFA127R77 GFAF127R77 GF127R77 GFF127R77	1.1	0.27	5237	95	GFA157R97 GFAF157R97 GF157R97 GFF157R97	0.75		
0.69	2034	86									
0.79	1781	86									
0.87	1604	86	GFA127R77 GFAF127R77 GF127R77 GFF127R77	1.5	0.30	4682	95	GFA157R97 GFAF157R97 GF157R97 GFF157R97	1.1		
1.0	1398	86			0.34	4122	95				
			GFA127R77 GFAF127R77 GF127R77 GFF127R77	2.2	0.40	3584	95	GFA157R97 GFAF157R97 GF157R97 GFF157R97	2.2		
1.2	1227	86			0.45	3204	95				
1.3	1080	86									
1.6	918	86	GFA127R77 GFAF127R77 GF127R77 GFF127R77	3	0.52	2695	95	GFA157R97 GFAF157R97 GF157R97 GFF157R97	1.1		
1.8	810	86									
2.0	718	86									
2.2	639	86	GFA127R77 GFAF127R77 GF127R77 GFF127R77	4	1.02	1396	95	GFA157R97 GFAF157R97 GF157R97 GFF157R97	2.2		
2.6	549	86									
2.9	495	86									

选型参数表
(恒扭矩)
Selection Table
(Constant Torque)

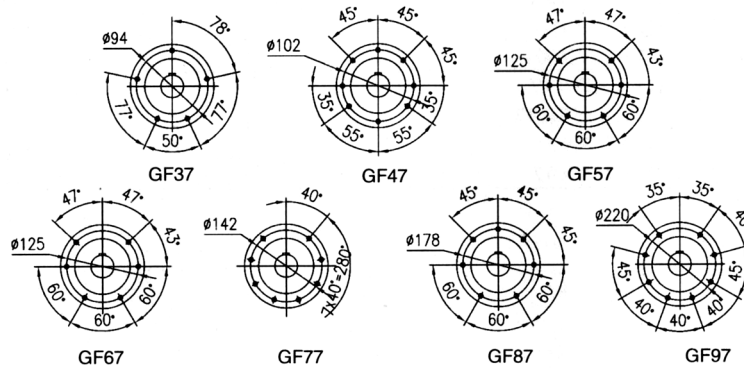
Mamax [Nm]	n _a [r/min]	i	F _{ra} [kN]	机型号 Type size	P [kW]/4P	Mamax [Nm]	n _a [r/min]	i	F _{ra} [kN]	机型号 Type size	P [kW]/4P
18000	0.58	2411	95	GFA157R97 GFAF157R97 GF157R97 GFF157R97	1.5	18000	2.9	503	95	GFA157R97 GFAF157R97 GF157R97 GFF157R97	7.5
	0.64	2171	95				3.3	446	95		
	0.74	1940	95	GFA157R97 GFAF157R97 GF157R97 GFF157R97	2.2		4.2	346	95	GFA157R97 GFAF157R97 GF157R97 GFF157R97	7.5
	0.88	1623	95				4.9	297	95	GFA157R97 GFAF157R97 GF157R97 GFF157R97	
	1.13	1267	95	GFA157R97 GFAF157R97 GF157R97 GFF157R97	3		5.4	268	95	GFA157R97 GFAF157R97 GF157R97 GFF157R97	15
	1.26	1133	95				6.4	227	95	GFA157R97 GFAF157R97 GF157R97 GFF157R97	
	1.6	923	95	GFA157R97 GFAF157R97 GF157R97 GFF157R97	4		7.4	198	95	GFA157R97 GFAF157R97 GF157R97 GFF157R97	18.5
	1.8	819	95				7.5	196	95	GFA157R97 GFAF157R97 GF157R97 GFF157R97	
	1.9	740	95								
	2.2	662	95	GFA157R97 GFAF157R97 GF157R97 GFF157R97	5.5						
2.6	561	95									

GF37-157
安装结构尺寸

GF37-157
Mounting Dimensional Description



A 向法兰安装结构尺寸(Fig.A Mounting Dimension)



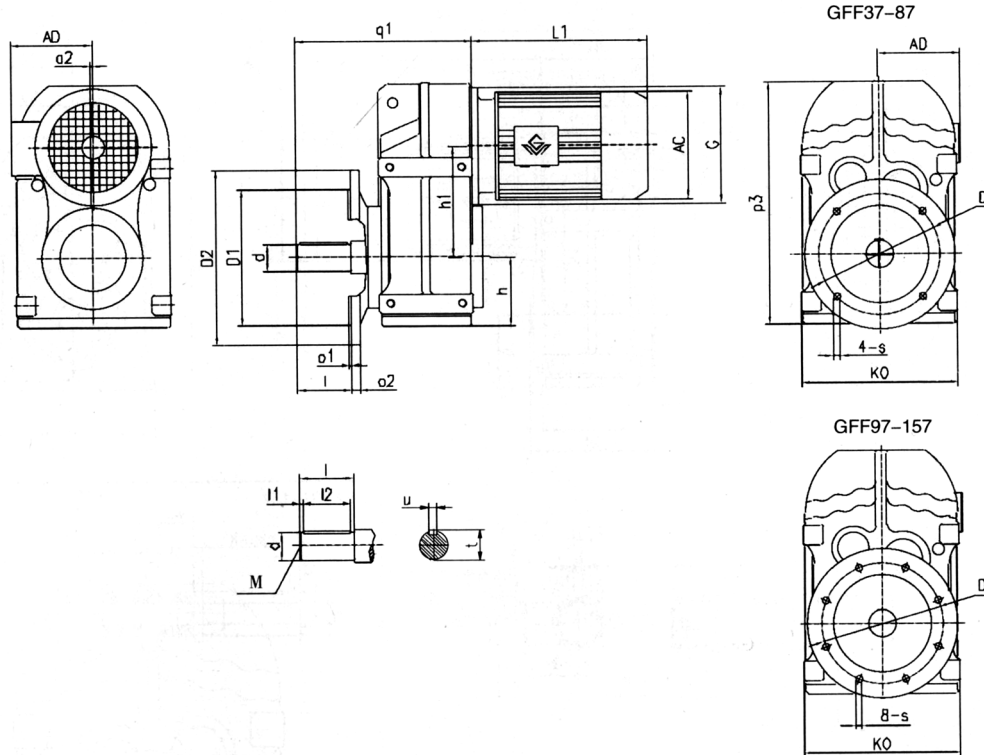
规格 Specification	q ₁ S1	q t ₁	a u	h ₁ t	h l ₁	e l ₂	p ₃ l	p ₂ d	p ₁ M	k ₃ S2	k ₄ t ₂	K0 a ₂	G	电机尺寸 Motor Size			
														AC	AD	L1	
GF37	160 M8	72.5 11	77 8	112 28	76 5	95 40	252 50	135 Φ25k6	115 M10	31 M8	20 11	165 /	Φ120	见附录 A-2 Please see appendix A-2			
GF47	193 M10	91 15	93 8	128.1 33	77 3.5	109 50	269 60	165 Φ30k6	145 M10	43 M8	20 11	180 /	Φ120				
GF57	220 M12	104.5 17	102 10	136 38	93 7	126 56	317 70	195 Φ35k6	170 M12	55 M12	25 17	200 /	Φ160				
GF67	242 M12	118.5 17	112 12	159.5 43	97 5	131 70	343 80	215 Φ40k6	190 M16	60 M12	25 17	212 /	Φ160				
GF77	294 M16	137.5 26	140 14	200 53.5	121 10	175 80	426 100	275 Φ50k6	240 M16	70 M12	35 17	270 /	Φ200				
GF87	344 M16	163 26	165 18	246.7 64	152 5	195 110	531 120	350 Φ60m6	310 M20	100 M16	40 26	330 /	Φ250				
GF97	415 M20	189.5 28	205 20	285 74.5	178 7.5	240 125	623 140	400 Φ70m6	350 M20	120 M16	50 26	400 /	Φ300				
GF107	484 M24	241.5 32	220 25	332.4 95	200 5	260 160	717 170	450 Φ90m6	400 M24	125 /	50 /	450 /	Φ350				
GF127	585 M30	291 45	270 28	382.6 116	236 15	316 180	856 210	520 Φ110m6	450 M24	142 /	70 /	530 10	Φ450				
GF157	662 M36	325 55	310 32	447 127	286 5	364 200	1021 210	620 Φ120m6	540 M24	170 /	80 /	660 15	Φ550				

注:电机需方配或配特殊电机时需加联接法兰(见附录 D)

Note: When equipping the user's motor or the special one, the flange is required to connected.(Please see appendix D)

GFF37-157
安装结构尺寸

GFF37-157
Mounting Dimensional Description



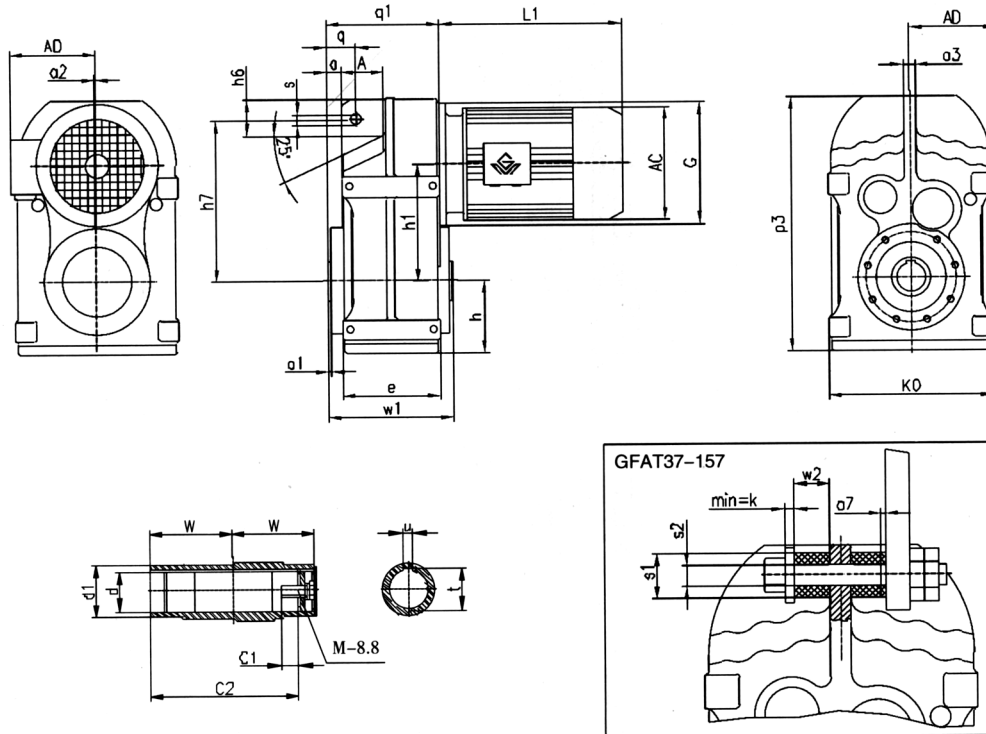
规格 Specification	q ₁ s	a ₂ D	a ₁ K0	d u	D1 t	D2 l ₁	h ₁ l ₂	h l	p ₃ M	G a ₂	电机尺寸 Motor Size			
											AC	AD	L1	
GFF37	184 Φ9	10 Φ130	3.5 165	Φ25k6 8	Φ110j6 28	Φ160 5	112 40	76 50	252 M10	Φ120 /	见附录 A-2 Please see appendix A-2			
GFF47	218 Φ11	12 Φ165	3.5 180	Φ30k6 8	Φ130j6 33	Φ200 3.5	128.1 50	77 60	269 M10	Φ120 /				
GFF57	243 Φ13.5	15 Φ215	4 200	Φ35k6 10	Φ180j6 38	Φ250 7	136 56	93 70	317 M12	Φ160 /				
GFF67	264 Φ13.5	15 Φ215	4 212	Φ40k6 12	Φ180j6 43	Φ250 5	159.5 70	97 80	343 M16	Φ160 /				
GFF77	330 Φ13.5	16 Φ265	4 270	Φ50k6 14	Φ230j6 53.5	Φ300 10	200 80	121 100	426 M16	Φ200 /				
GFF87	374 Φ17.5	18 Φ300	5 330	Φ60m6 18	Φ250h6 64	Φ350 5	246.7 110	152 120	531 M20	Φ250 /				
GFF97	455 Φ17.5	22 Φ400	5 400	Φ70m6 20	Φ350h6 74.5	Φ450 7.5	285 125	178 140	623 M20	Φ300 /				
GFF107	523 Φ17.5	22 Φ400	5 450	Φ90m6 25	Φ350h6 95	Φ450 5	332.4 160	200 170	717 M24	Φ350 /				
GFF127	634 Φ17.5	25 Φ500	5 530	Φ110m6 28	Φ450h6 116	Φ550 15	382.6 180	236 210	856 M24	Φ450 10				
GFF157	725 Φ22	28 Φ600	6 660	Φ120m6 32	Φ550h6 127	Φ660 5	447 200	286 210	1021 M24	Φ550 15				

注:电机需方配或配特殊电机时需加联接法兰(见附录 D)

Note: When equipping the user's motor or the special one, the flange is required to connected.(Please see appendix D)

GFA37-157
安装结构尺寸

GFA37-157
Mounting Dimensional Description



螺栓、螺母、垫圈不在标准供货范围内

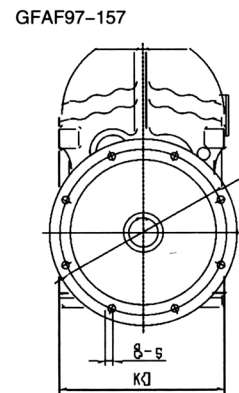
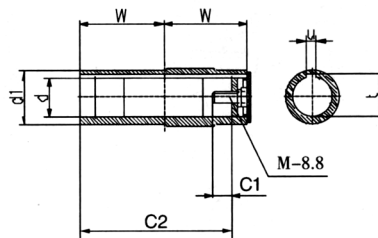
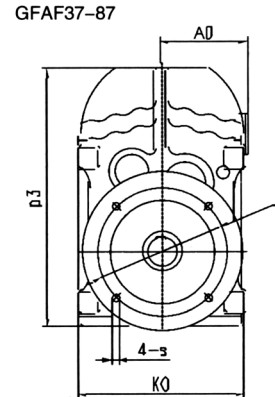
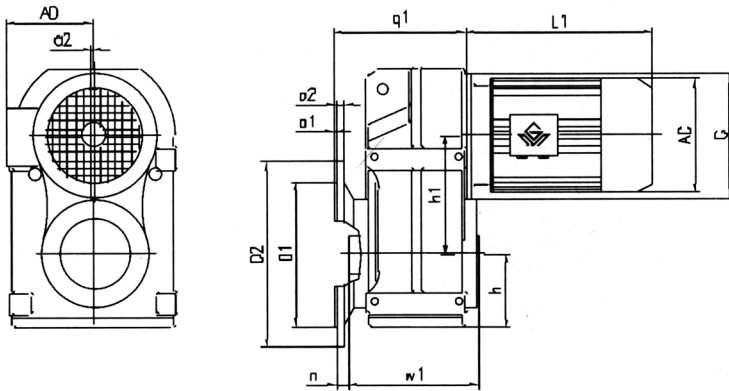
规格 Specification	q ₁	q	A	a	h ₇	h ₆	h ₁	h	a ₁	e	w ₁	p ₃	a ₃	K0	c ₂	电机尺寸 Motor Size
	a ₂	d	d ₁	w	c ₁	s	u	t	s ₁	s ₂	k	w ₂	a ₇	G	M	
GFA37	110 /	31.5 Φ30H7	46 Φ45	15 60	158 17	30 Φ14	112 8	76 33.3	2.5 Φ40	95 Φ12.5 ^{+0.5}	123 5	252 20	12 1	165 Φ120	105 M10×25	见附录 A-2 Please see appendix A-2
GFA47	133 /	32 Φ35H7	64 Φ50	12 75	170 22	22 Φ14	128.1 10	77 38.3	3 Φ40	109 Φ12.5 ^{+0.5}	153 5	269 20	12 1.8	180 Φ120	132 M12×30	
GFA57	150 /	40.5 Φ40H7	60 Φ55	19.5 83	198 29	31 Φ14	136 12	93 43.3	3 Φ40	126 Φ12.5 ^{+0.5}	170 5	317 20	14 2.4	200 Φ160	142 M16×40	
GFA67	161 /	41 Φ40H7	65 Φ55	21 90	218 29	40 Φ14	159.5 12	97 43.3	3.5 Φ40	131 Φ12.5 ^{+0.5}	184 5	343 20	16 3	212 Φ160	156 M16×40	
GFA77	193 /	50 Φ50H7	69 Φ70	28 105	278 32	49 Φ22	200 14	121 53.8	4 Φ60	175 Φ21 ^{+0.5}	213 10	426 30	20 3.2	270 Φ200	183 M16×45	
GFA87	224 /	62 Φ60H7	79 Φ85	32 120	346 36	57 Φ22	246.7 18	152 64.4	4 Φ60	195 Φ21 ^{+0.5}	243 10	531 30	26 4.5	330 Φ250	210 M20×50	
GFA97	274 /	70 Φ70H7	104 Φ95	32 150	395 34	88 Φ26	285 20	178 74.9	4 Φ80	240 Φ25 ^{+0.5}	303 12	623 40	30 5	400 Φ300	270 M20×50	
GFA107	312 /	88 Φ90H7	100 Φ118	57 175	485 40	108 Φ26	332.4 25	200 95.4	2.5 Φ80	260 Φ25 ^{+0.5}	353 12	717 40	36 6	450 Φ350	313 M24×60	
GFA127	373 10	110 Φ100H7	125 Φ135	66 205	550 38	108 Φ33	382.6 28	236 106.4	2.5 Φ100	316 Φ32 ^{+0.5}	413 15	856 60	40 9	530 Φ450	373 M24×60	
GFA157	455 15	150 Φ120H7	140 Φ155	98 250	660 36	170 Φ33	447 32	286 127.4	7 Φ120	364 Φ32 ^{+0.5}	503 15	1021 60	45 9	660 Φ550	460 M24×60	

注:电机需方配或配特殊电机时需加联接法兰(见附录 D)

Note: When equipping the user's motor or the special one, the flange is required to connected.(Please see appendix D)

GFAF37-157
安装结构尺寸

GFAF37-157
Mounting Dimensional Description



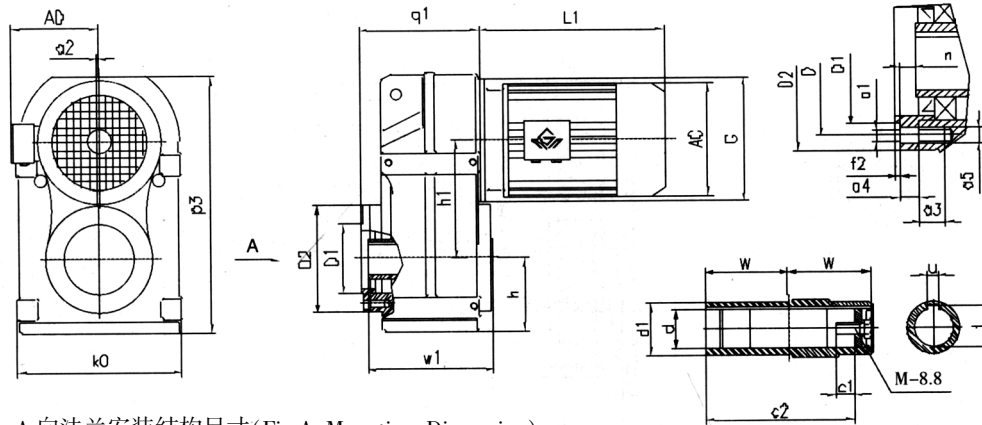
规格 Specification	q ₁ K0	o ₁ a ₂	o ₂ d	D1 d ₁	D2 w	h ₁ c ₁	h n	w ₁ u	p ₃ t	s D	G c ₂	M	电机尺寸 Motor Size			
													AC	AD	L1	
GFAF37	138 165	3.5 /	10 Φ30H7	Φ110j6 Φ45	Φ160 60	112 17	76 24	123 8	252 33.3	Φ9 Φ130	Φ120 105	M10 × 25	见附录 A-2 Please see appendix A-2			
GFAF47	162 180	3.5 /	12 Φ35H7	Φ130j6 Φ50	Φ200 75	128.1 22	77 25	153 10	269 38.3	Φ11 Φ165	Φ120 132	M12 × 30				
GFAF57	177 200	4 /	15 Φ40H7	Φ180j6 Φ55	Φ250 83	136 29	93 23.5	170 12	317 43.3	Φ13.5 Φ215	Φ160 142	M16 × 40				
GFAF67	188 212	4 /	15 Φ40H7	Φ180j6 Φ55	Φ250 90	159.5 29	97 23	184 12	343 43.3	Φ13.5 Φ215	Φ160 156	M16 × 40				
GFAF77	234 270	4 /	16 Φ50H7	Φ230j6 Φ70	Φ300 105	200 32	121 37	213 14	426 53.8	Φ13.5 Φ265	Φ200 183	M16 × 45				
GFAF87	259 330	5 /	18 Φ60H7	Φ250h6 Φ85	Φ350 120	246.7 36	152 30	243 18	531 64.4	Φ17.5 Φ300	Φ250 210	M20 × 50				
GFAF97	321 400	5 /	22 Φ70H7	Φ350h6 Φ95	Φ450 150	285 34	178 41.5	303 20	623 74.9	Φ17.5 Φ400	Φ300 270	M20 × 50				
GFAF107	358 450	5 /	22 Φ90H7	Φ350h6 Φ118	Φ450 175	332.4 40	200 41	353 25	717 95.4	Φ17.5 Φ400	Φ350 313	M24 × 60				
GFAF127	429 530	5 10	25 Φ100H7	Φ450h6 Φ135	Φ550 205	382.6 38	236 51	413 28	856 106.4	Φ17.5 Φ500	Φ450 373	M24 × 60				
GFAF157	521 660	6 15	28 Φ120H7	Φ550h6 Φ155	Φ660 250	447 36	286 60	503 32	1021 127.4	Φ22 Φ600	Φ550 460	M24 × 60				

注: 电机需方配或配特殊电机时需加联接法兰(见附录 D)

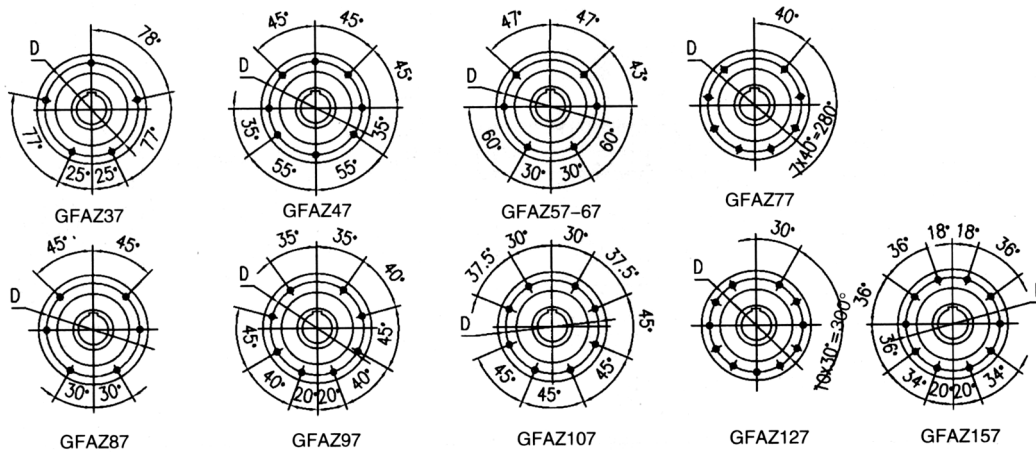
Note: When equipping the user's motor or the special one, the flange is required to connected.(Please see appendix D)

GFAZ37-157
安装结构尺寸

GFAZ37-157
Mounting Dimensional Description



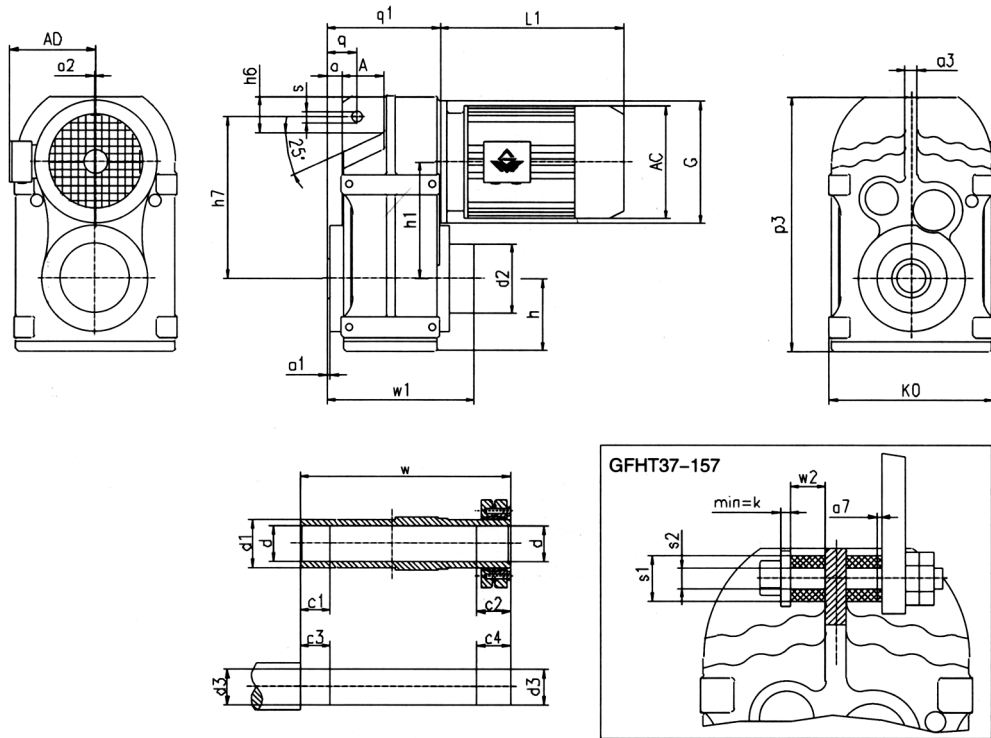
A 向法兰安装结构尺寸 (Fig.A Mounting Dimension)



规格 Specification	q ₁ k ₀	h h ₁	t D	D ₂ D ₁	p ₃ n	a ₄ a ₃	a ₅ w ₁	w c ₁	c ₂ u	d ₁ d	a ₂ f ₂	a ₁ M	G	电机尺寸 Motor Size			
														AC	AD	L1	
GFAZ37	122 165	76 112	33.3 Φ94	Φ110 Φ80j6	252 9	11.5 12	M8 123	60 17	105 8	Φ45 Φ30H7	/ 3	Φ9 M10×25	Φ120	见附录 A-2 Please see appendix A-2			
GFAZ47	144 180	77 128.1	38.3 Φ102	Φ120 Φ80j6	269 8	11 12	M8 153	75 22	132 10	Φ50 Φ35H7	/ 3	Φ9 M12×30	Φ120				
GFAZ57	162 200	93 136	43.3 Φ125	Φ155 Φ105j6	317 9	12 20	M12 170	83 29	142 12	Φ55 Φ40H7	/ 3.5	Φ13.5 M16×40	Φ160				
GFAZ67	173 212	97 159.5	43.3 Φ125	Φ155 Φ105j6	343 8.5	12 20	M12 184	90 29	156 12	Φ55 Φ40H7	/ 3.5	Φ13.5 M16×40	Φ160				
GFAZ77	206 270	121 200	53.8 Φ142	Φ170 Φ125j6	426 10	14 20	M12 213	105 32	183 14	Φ70 Φ50H7	/ 3.5	Φ13.5 M16×45	Φ200				
GFAZ87	239 330	152 246.7	64.4 Φ178	Φ215 Φ155j6	531 11	15 26	M16 243	120 36	210 18	Φ85 Φ60H7	/ 4	Φ17.5 M20×50	Φ250				
GFAZ97	292 400	178 285	74.9 Φ220	Φ260 Φ180j6	623 14	18 26	M16 303	150 34	270 20	Φ95 Φ70H7	/ 4	Φ17.5 M20×50	Φ300				
GFAZ107	312 450	200 332.4	95.4 Φ260	Φ304 Φ210j6	717 -8	22 28	M20 353	175 40	313 25	Φ118 Φ90H7	/ 4	Φ22 M24×60	Φ350				
GFAZ127	377.5 530	236 382.6	106.4 Φ300	Φ350 Φ250h6	856 0	30 28	M20 413	205 38	373 28	Φ135 Φ100H7	10 5	Φ22 M24×60	Φ450				
GFAZ157	455 660	286 447	127.4 Φ340	Φ400 Φ290h6	1021 -14	28 36	M24 503	250 36	460 32	Φ155 Φ120H7	15 5	Φ26 M24×60	Φ550				

注:电机需方配或配特殊电机时需加联接法兰(见附录 D)

Note: When equipping the user's motor or the special one, the flange is required to connected.(Please see appendix D)

GFH37-157
安装结构尺寸
GFH37-157
Mounting Dimensional Description


螺栓、螺母、垫圈不在标准供货范围内

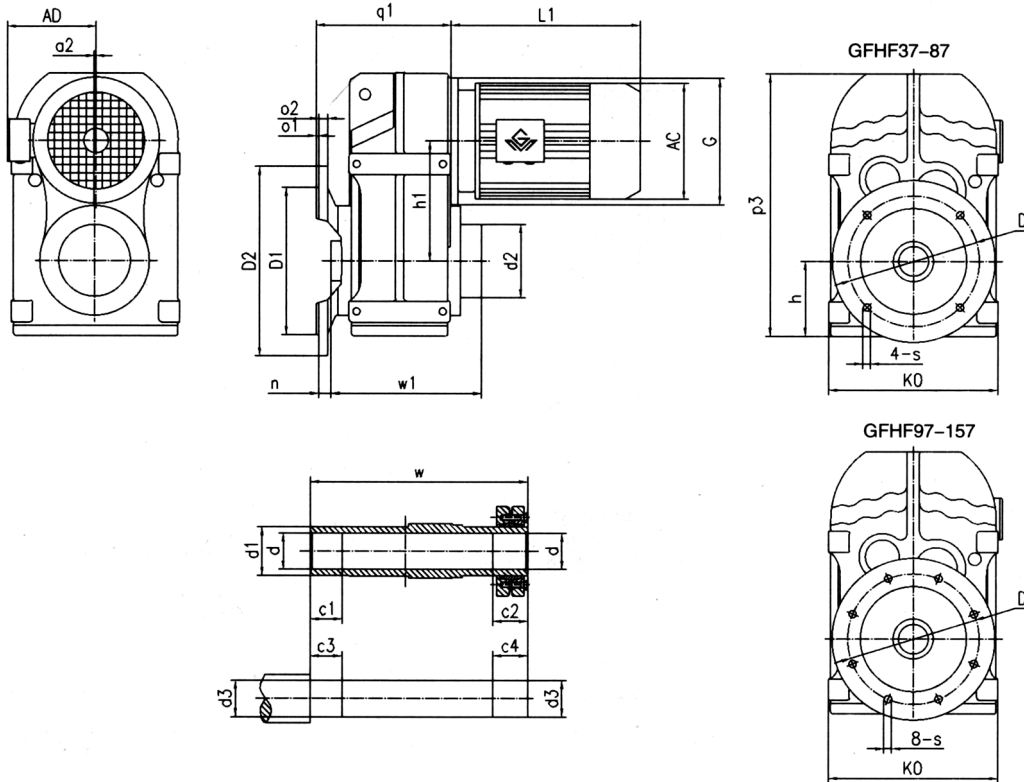
规格 Specification	q_1	h	h_7	w	c_2	c_3	q	d_2	d	a	s	a_3	s_1	k	a_7	电机尺寸 Motor Size				
	p_3	h_1	h_6	w_1	c_1	c_4	A	d_1	d_3	a_1	a_2	K_0	s_2	w_2	G	AC	AD	L1		
GFH37	110 252	76 112	158 30	146 155	31 20	25 36	31.5 46	Φ75 Φ45	Φ30H7 Φ30h6	15 0.5	Φ14 /	12 165	Φ40 Φ12.5 ^{+0.5}	5 20	1 Φ120	见附录 A-2 Please see appendix A-2				
GFH47	133 269	77 128.1	170 22	177 184	32 20	25 37	32 64	Φ83 Φ50	Φ35H7 Φ35h6	12 1	Φ14 /	12 180	Φ40 Φ12.5 ^{+0.5}	5 20	1.8 Φ120					
GFH57	150 317	93 136	198 31	195 200	26 20	25 31	40.5 60	Φ83 Φ55	Φ40H7 Φ40h6	19.5 1	Φ14 /	14 200	Φ40 Φ12.5 ^{+0.5}	5 20	2.4 Φ160					
GFH67	161 343	97 159.5	218 40	208 215.5	38 20	25 43	41 65	Φ93 Φ55	Φ40H7 Φ40h6	21 1	Φ14 /	16 212	Φ40 Φ12.5 ^{+0.5}	5 20	3 Φ160					
GFH77	193 426	121 200	278 49	241 249	36 30	35 41	50 69	Φ114 Φ70	Φ50H7 Φ50h6	28 1	Φ22 /	20 270	Φ60 Φ21 ^{+0.5}	10 30	3.2 Φ200					
GFH87	224 531	152 246.7	346 57	281 291	41 40	45 46	62 79	Φ159 Φ85	Φ65H7 Φ65h6	32 1	Φ22 /	26 330	Φ60 Φ21 ^{+0.5}	10 30	4.5 Φ250					
GFH97	274 623	178 285	395 88	345 357	55 50	55 60	70 104	Φ174 Φ95	Φ75H7 Φ75h6	34 1	Φ26 /	30 400	Φ80 Φ25 ^{+0.5}	12 40	5 Φ300					
GFH107	312 717	200 332.4	485 108	405 420	65 60	70 75	88 100	Φ200 Φ118	Φ95H7 Φ95h6	57 2.5	Φ26 /	36 450	Φ80 Φ25 ^{+0.5}	12 40	6 Φ350					
GFH127	373 856	236 382.6	550 108	485 502	85 70	80 95	110 125	Φ233 Φ135	Φ105H7 Φ105h6	66 2.5	Φ33 10	40 530	Φ100 Φ32 ^{+0.5}	15 60	9 Φ450					
GFH157	455 1021	286 447	660 170	580 598	90 80	90 100	150 140	Φ275 Φ155	Φ125H7 Φ125h6	98 7	Φ33 15	45 660	Φ120 Φ32 ^{+0.5}	15 60	9 Φ550					

注:电机需方配或配特殊电机时需加联接法兰(见附录 D)

Note: When equipping the user's motor or the special one, the flange is required to connected.(Please see appendix D)

GFHF37-157
安装结构尺寸

GFHF37-157
Mounting Dimensional Description



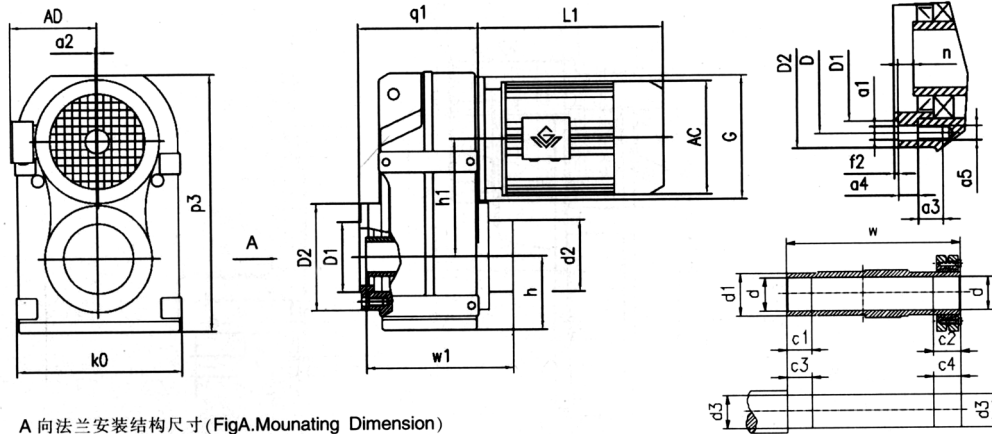
规格 Specification	q ₁ p ₃	o ₁ o ₂	h h ₁	n s	K ₀ D	D ₁ D ₂	d ₂ d ₁	d d ₃	w w ₁	c ₁ c ₂	c ₃ c ₄	a ₂ G	电机尺寸 Motor Size			
													AC	AD	L1	
GFHF37	138 252	3.5 10	76 112	24 Φ9	165 Φ130	Φ110j6 Φ160	Φ75 Φ45	Φ30H7 Φ30h6	146 155	20 31	25 36	/ Φ120	见附录 A-2 Please see appendix A-2			
GFHF47	162 269	3.5 12	77 128.1	25 Φ11	180 Φ165	Φ130j6 Φ200	Φ83 Φ50	Φ35H7 Φ35h6	177 184	20 32	25 37	/ Φ120				
GFHF57	177 317	4 15	93 136	23.5 Φ13.5	200 Φ215	Φ180j6 Φ250	Φ83 Φ55	Φ40H7 Φ40h6	195 200	20 26	25 31	/ Φ160				
GFHF67	188 343	4 15	97 159.5	23 Φ13.5	212 Φ215	Φ180j6 Φ250	Φ93 Φ55	Φ40H7 Φ40h6	208 215.5	20 38	25 43	/ Φ160				
GFHF77	234 426	4 16	121 200	37 Φ13.5	270 Φ265	Φ230j6 Φ300	Φ114 Φ70	Φ50H7 Φ50h6	241 249	30 36	35 41	/ Φ200				
GFHF87	259 531	5 18	152 246.7	30 Φ17.5	330 Φ300	Φ250h6 Φ350	Φ159 Φ85	Φ65H7 Φ65h6	281 291	40 41	45 46	/ Φ250				
GFHF97	321 623	5 22	178 285	41.5 Φ17.5	400 Φ400	Φ350h6 Φ450	Φ174 Φ95	Φ75H7 Φ75h6	345 357	50 55	55 60	/ Φ300				
GFHF107	358 717	5 22	200 332.4	41 Φ17.5	450 Φ400	Φ350h6 Φ450	Φ200 Φ118	Φ95H7 Φ95h6	405 420	60 65	70 75	/ Φ350				
GFHF127	429 856	5 25	236 382.6	51 Φ17.5	530 Φ500	Φ450h6 Φ550	Φ233 Φ135	Φ105H7 Φ105h6	485 502	70 85	80 95	10 Φ450				
GFHF157	521 1021	6 28	286 447	60 Φ22	660 Φ600	Φ550h6 Φ660	Φ275 Φ155	Φ125H7 Φ125h6	580 598	80 90	90 100	15 Φ550				

注:电机需方配或配特殊电机时需加联接法兰(见附录 D)

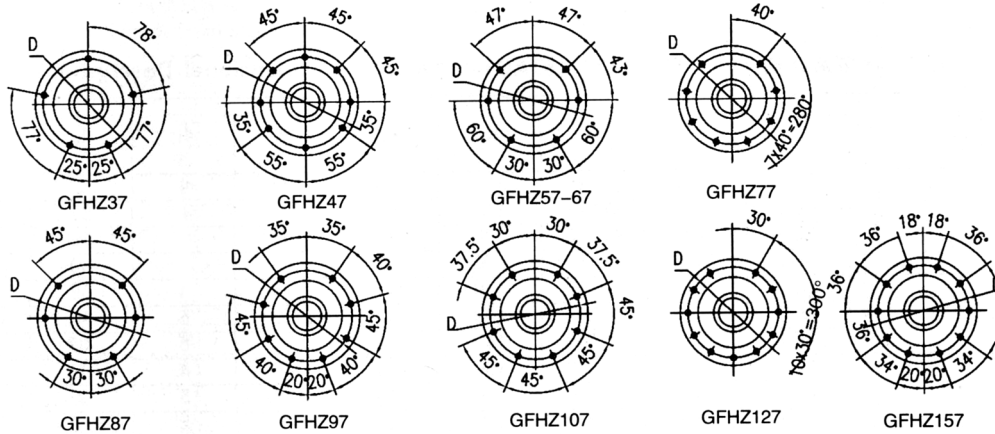
Note: When equipping the user's motor or the special one, the flange is required to connected.(Please see appendix D)

GFHZ37-157
安装结构尺寸

GFHZ37-157
Mounting Dimensional Description



A 向法兰安装结构尺寸 (Fig.A.Mounting Dimension)



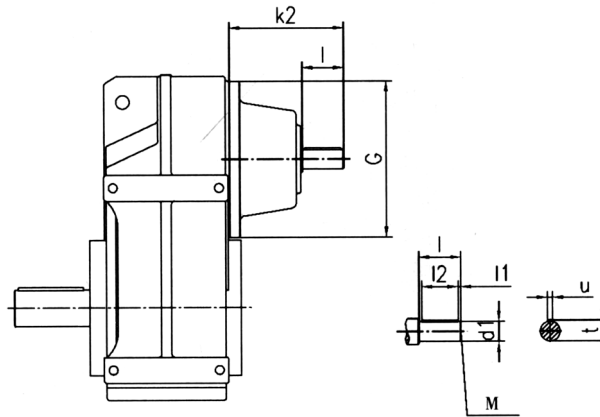
规格 Specification	q ₁ K ₀	h h ₁	D ₂ D ₁	p ₃ n	a ₄ a ₃	a ₅ G	w w ₁	c ₂ c ₁	c ₃ c ₄	d ₂ d ₁	d d ₃	a ₂ f ₂	a ₁ D	电机尺寸 Motor Size							
														AC	AD	L1					
GFHZ37	122	76	Φ110	252	11.5	M8	146	31	25	Φ75	Φ30H7	/	Φ9	见附录 A-2 Please see appendix A-2							
	165	112	Φ80j6	9	11	Φ120	155	20	36	Φ45	Φ30h6	3	Φ94								
GFHZ47	144	77	Φ120	269	11	M8	177	32	25	Φ83	Φ36H7	/	Φ9		见附录 A-2 Please see appendix A-2						
	180	128.1	Φ80j6	8	11	Φ120	184	20	37	Φ50	Φ35h6	3	Φ102								
GFHZ57	162	93	Φ155	317	12	M12	195	26	25	Φ83	Φ40H7	/	Φ13.5			见附录 A-2 Please see appendix A-2					
	200	136	Φ105j6	9	17	Φ160	200	20	31	Φ55	Φ40h6	3.5	Φ125								
GFHZ67	173	97	Φ155	343	12	M12	208	38	25	Φ93	Φ40H7	/	Φ13.5				见附录 A-2 Please see appendix A-2				
	212	159.5	Φ105j6	8.5	17	Φ160	215.5	20	43	Φ55	Φ40h6	3.5	Φ125								
GFHZ77	206	121	Φ170	426	14	M12	241	36	35	Φ114	Φ50H7	/	Φ13.5					见附录 A-2 Please see appendix A-2			
	270	200	Φ125j6	10	17	Φ200	249	30	41	Φ70	Φ50h6	3.5	Φ142								
GFHZ87	239	152	Φ215	531	15	M16	281	41	45	Φ159	Φ65H7	/	Φ17.5	见附录 A-2 Please see appendix A-2							
	330	246.7	Φ155j6	11	26	Φ250	291	40	46	Φ85	Φ65h6	4	Φ178								
GFHZ97	292	178	Φ260	623	18	M16	345	55	55	Φ174	Φ75H7	/	Φ17.5		见附录 A-2 Please see appendix A-2						
	400	285	Φ180j6	14	26	Φ300	357	50	60	Φ95	Φ75h6	4	Φ220								
GFHZ107	312	200	Φ304	717	22	M20	405	65	70	Φ200	Φ95H7	/	Φ22			见附录 A-2 Please see appendix A-2					
	450	332.4	Φ210j6	8	28	Φ350	420	60	75	Φ118	Φ95h6	4	Φ260								
GFHZ127	377.5	236	Φ350	856	30	M20	485	85	80	Φ233	Φ105H7	10	Φ22				见附录 A-2 Please see appendix A-2				
	530	382.6	Φ250h6	0	28	Φ450	502	70	95	Φ135	Φ106h6	5	Φ300								
GFHZ157	455	286	Φ400	1021	28	M24	580	90	90	Φ275	Φ125H7	15	Φ26					见附录 A-2 Please see appendix A-2			
	660	447	Φ290h6	14	36	Φ550	598	80	100	Φ155	Φ125h6	5	Φ340								

注:电机需方配或配特殊电机时需加联接法兰(见附录 D)

Note: When equipping the user's motor or the special one, the flange is required to connected.(Please see appendix D)

GF..SZ37-157AD1-8
安装结构尺寸

GF..SZ37-157AD1-8
Mounting Dimensional Description



GF..SZ37-157AD1-8 安装结构尺寸 (GF..SZ37-157AD1-8 Mounting Dimensional Description)

机型号 Type Size		d ₁	G	k ₂	l	M	l ₁	l ₂	t	u
GF..SZ37/47	AD1	16k6	Φ 120	115	40	M5	4	32	18	5
	AD2	19k6	Φ 120	115	40	M6	4	32	21.5	6
GF..SZ57/67	AD2	19k6	Φ 160	120	40	M6	4	32	21.5	6
	AD3	24k6	Φ 160	130	50	M8	5	40	27	8
GF..SZ77	AD2	19k6	Φ 200	130	40	M6	4	32	21.5	6
	AD3	24k6	Φ 200	140	50	M8	5	40	27	8
	AD4	38k6	Φ 200	140	50	M12	5	40	41	10
GF..SZ87	AD2	19k6	Φ 250	160	40	M6	4	32	21.5	6
	AD3	28k6	Φ 250	180	60	M10	5	50	31	8
	AD4	38k6	Φ 250	200	80	M12	5	70	41	10
	AD5	42k6	Φ 250	200	80	M16	5	70	45	12
GF..SZ97	AD3	28k6	Φ 300	200	60	M10	5	50	31	8
	AD4	38k6	Φ 300	220	80	M12	5	70	41	10
	AD5	42k6	Φ 300	220	80	M16	5	70	45	12
	AD6	48k6	Φ 300	220	80	M16	5	70	51.5	14
GF..SZ107	AD3	28k6	Φ 350	220	60	M10	5	50	31	8
	AD4	38k6	Φ 350	240	80	M12	5	70	41	10
	AD5	42k6	Φ 350	270	110	M16	10	90	45	12
	AD6	48k6	Φ 350	270	110	M16	10	90	51.5	14
GF..SZ127	AD4	38k6	Φ 450	267	80	M12	5	70	41	10
	AD5	42k6	Φ 450	297	110	M16	10	90	45	12
	AD6	48k6	Φ 450	297	110	M16	10	90	51.5	14
	AD7	55m6	Φ 450	297	110	M20	10	90	59	16
	AD8	70m6	Φ 450	297	110	M20	10	90	74.5	20
GF..SZ157	AD5	42k6	Φ 550	344	110	M16	10	90	45	12
	AD6	48k6	Φ 550	344	110	M16	10	90	51.5	14
	AD7	55m6	Φ 550	344	110	M20	10	90	59	16
	AD8	70m6	Φ 550	374	140	M20	15	110	74.5	20

其它尺寸请参照 GF 型。

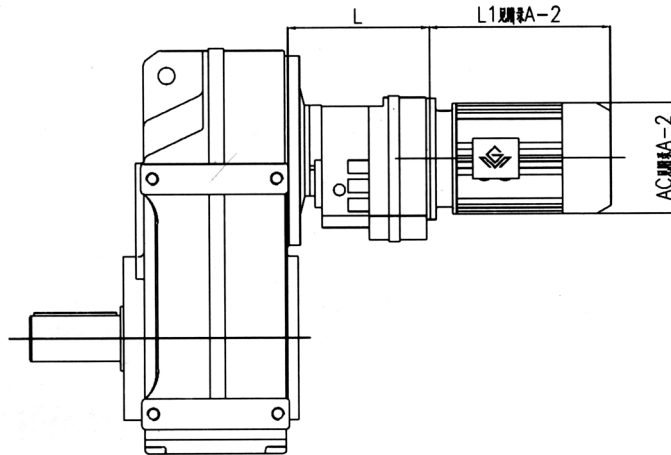
注:GFA/GFAF/GFF/GFAZ/GFH/GFHF/GFHZ 均可采用双轴型,并分别记为 GFASZ..AD..、GFAFSZ..AD..、GFFSZ..AD..、GFAZSZ..AD..、GFHSZ..AD..、GFHFSZ..AD..和 GFHZSZ..AD..。

For other dimensions, see the type GF.

Note: double shafts type is also available for type GFA/GFAF/GFF/GFAZ/GFH/GFHF/GFHZ, and these double shafts types are respectively named type GFASZ..AD..、GFAFSZ..AD..、GFFSZ..AD..、GFAZSZ..AD..、GFHSZ..AD..、GFHFSZ..AD..and GFHZSZ..AD..

GF..R..
安装结构尺寸

GF..R..
Mounting Dimensional Description



机型号 Type Size	电机机座号 Motor fram size	L
GF..37R17 GF..47R17	63	131
	71	
	80	
GF..57R37	63	157
	71	
	80	
GF..67R37	63	157
	71	
	80	
GF..77R37	63	157
	71	
	80	
GF..87R57	63	187
	71	
	80	
GF..97R57	63	187
	71	
	80	
GF..107R77	63	220
	71	
	80	
GF..127R77	90	220
	100	
	112	
GF..127R87	132	272
	160	
	180	
GF..157R97	80	320
	90	
	100	
GF..177R97	112	320
	132	
	160	
GF..197R97	180	320
	200	

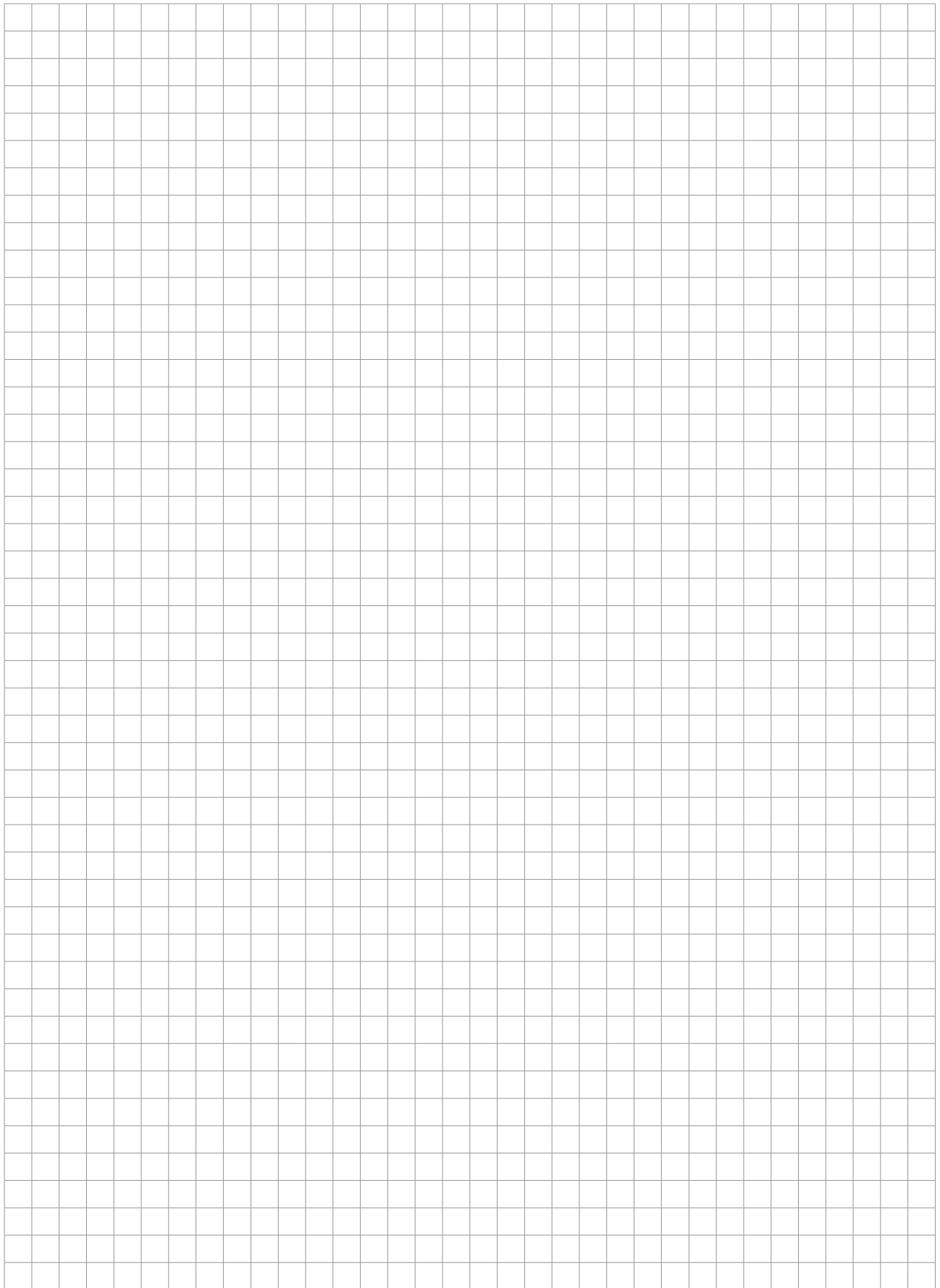
机型号 Type Size	电机机座号 Motor fram size	L
GF..127R77	63	220
	71	
	80	
GF..127R87	90	272
	100	
	112	
GF..157R97	132	320
	160	
	180	
GF..177R97	80	320
	90	
	100	
GF..197R97	112	320
	132	
	160	
GF..217R97	180	320
	200	

注: GFA/GFAF/GFF/GFAZ/GFH/GFHF/GFHZ 均可采用串联组合机型。

Note: Combined type is also available for type GFA/GFAF/GFF/GFAZ/GFH/GFHF/GFHZ.

注: 电机需方配或配特殊电机时需加联接法兰(见附录 D)

Note: When equipping the user's motor or the special one, the flange is required to connected.(Please see appendix D)



叶轮给煤机减速机

本系列产品为叶轮给煤机设计制造。

产品的特点为：

- 1, 齿轮采用高强度的低碳合金钢, 经渗碳淬磨齿加工, 齿轮精度高, 硬度高。
- 2, 配置有高承载能力的轴承, 能承受不大于 30000N 的轴向推力。
- 3, 输出轴端采用迷宫和油封双重密封。
- 4, 箱体采用高强度铸铁, 因而单位体积承载能力高, 体积小。
- 5, 主要零部件都经过精密加工, 并通过精心组装和测试, 因而减速机噪声低。
- 6, 传动效率高, 不低于 95%, 可长时间连续运行。

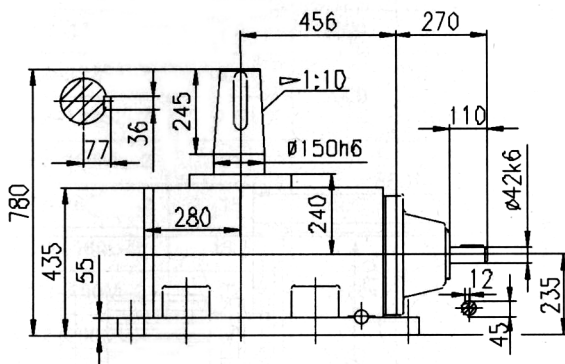
300 - 600 吨叶轮给煤机减速机

型号: GYJS-A/A(输入轴型) GYJS-A/B(电机型)

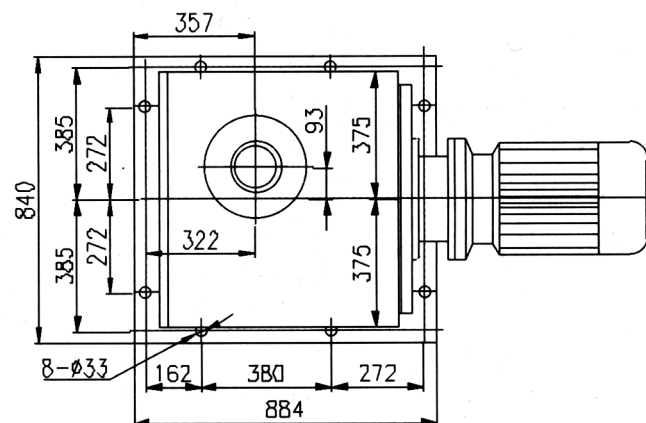
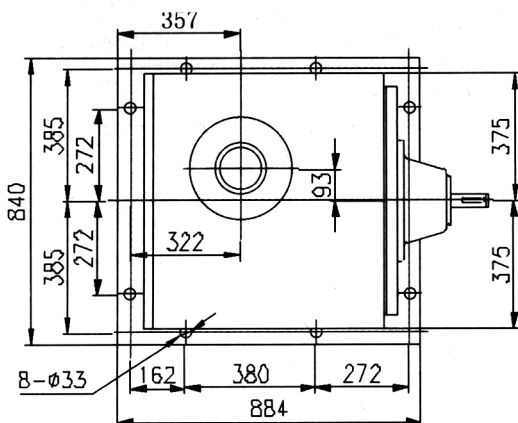
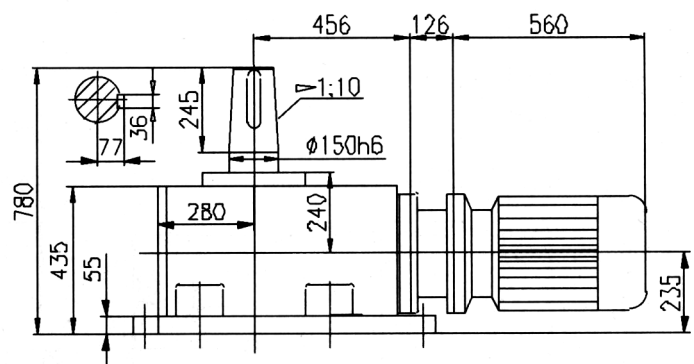
主要技术参数:

- | | |
|------------------|----------------------|
| 1、输入功率: 15kw | 2、输入转速: 1460r/min |
| 3、公称速比: 120 | 4、输出扭矩: 11500N.m |
| 5、承载能力: 20000N.m | 6、轴向承载能力: 不大于 30000N |

输入轴型外形及安装尺寸:



电机型外形及安装尺寸:



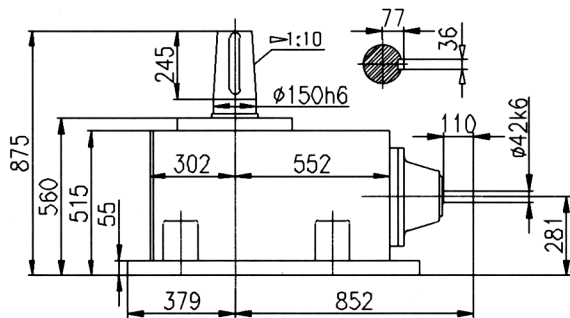
1000 – 1500 吨叶轮给煤机减速机

型号:GYJS-B/A(输入轴型) GYJS-B/B(电机型)

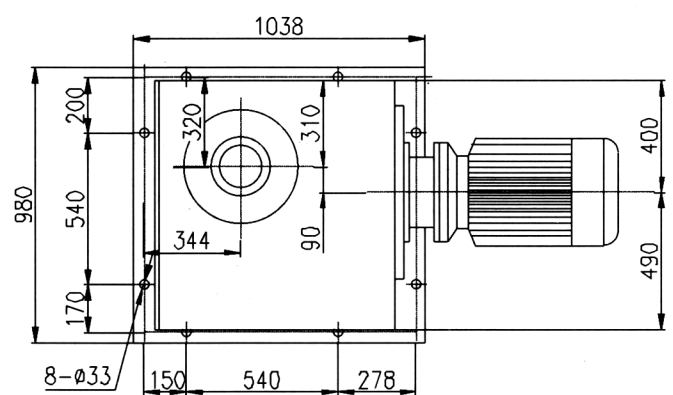
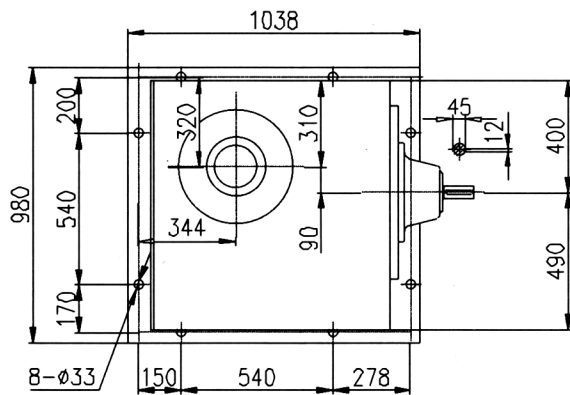
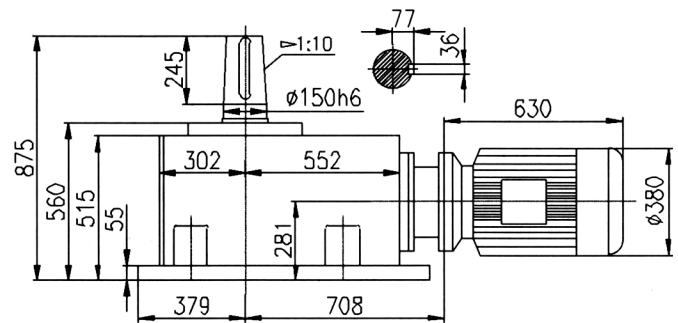
主要技术参数:

- | | |
|-----------------|---------------------|
| 1、输入功率:22kw | 2、输入转速:1470r/min |
| 3、公称速比:120 | 4、输出扭矩:17000N.m |
| 5、承载能力:40000N.m | 6、轴向承载能力:不大于 40000N |

输入轴型外形及安装尺寸:



电机型外形及安装尺寸:



Y₂ 系列电机技术参数 Technical Data of Y₂ Series Motors

型号 Type	额定功率 Rated power/kW	满载时 Full load				堵转电流 Blocked current	堵转转矩 Blocked torque	最大转矩 Max torque	转动惯量 Moment of inertia / (kg·m ²)	净重 Weight /kg
		转速 Speed / (r/min)	电流 Current /A	效率 Eff (%)	功率因数 Power factor	额定电流 Rated current	额定转矩 Rated torque	额定转矩 Rated torque		
同步转速 3000r/min 2极 Synchronous Speed 3000r/min 2P										
Y2-631-2	0.18	2720	0.53	65.0	0.80	5.5	2.2	2.2	—	—
Y2-632-2	0.25		0.69	68.0	0.81					
Y2-711-2	0.37	2740	0.99	70.0	0.81	6.1	2.2	2.3	—	—
Y2-712-2	0.55		1.4	73.0	0.82					
Y2-801-2	0.75	2830	1.83	75.0	0.83	6.1	2.2	2.3	0.00075	16
Y2-802-2	1.1		2.55	77.0	0.84				7.0	2.2
Y2-90S-2	1.5	2840	3.40	79.0		0.85	7.0	2.2		
Y2-90L-2	2.2		4.8	81.0	0.0014				25	
Y2-100L-2	3.0	2870	6.31	83.0	0.87	7.5	2.2	2.3	0.0029	33
Y2-112M-2	4.0	2890	8.23	85.0	0.88				2.2	2.3
Y2-132S1-2	5.5	2900	11.18	86.0		0.89	7.5	2.2		
Y2-132S2-2	7.5		15.06	87.0	0.0126				70	
Y2-160M1-2	11	2930	21.35	88.0	0.90	7.5	2.2	2.3	0.0377	117
Y2-160M2-2	15		28.78	89.0					0.0449	125
Y2-160L-2	18.5		34.72	90.0					0.055	147
Y2-180M-2	22	2940	41.28	90.5	0.91	7.5	2.2	2.3	0.075	180
Y2-200L1-2	30	2950	55.37	91.2					0.92	7.1
Y2-200L2-2	37		67.92	92.0	0.139	255				
Y2-225M-2	45	2970	82.16	92.3	0.91	7.1	1.8	2.2	0.233	309
Y2-250M-2	55		100.1	92.5					0.312	403
Y2-280S-2	75		134.0	93.2					0.597	544
Y2-280M-2	90	160.27	93.8	0.675	620					
Y2-315S-2	110	2980	195.46	94.0	0.92	7.1	1.8	2.2	1.18	980
Y2-315M-2	132		233.3	94.5					1.82	1080
Y2-315L1-2	160		279.44	94.6					2.08	1160
Y2-315L2-2	200		347.83	94.8					2.41	1190
Y2-355M-2	250		432.5	95.3					3.56	1760
Y2-355L-2	315		543.25	95.6					4.16	1850

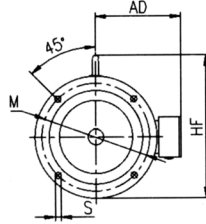
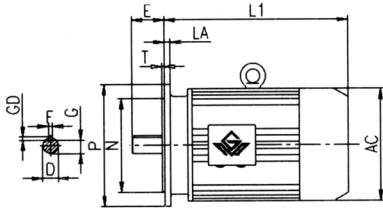


型号 Type	额定功率 Rated power/kW	满载时 Full load				堵转电流 Blocked current	堵转转矩 Blocked torque	最大转矩 Max torque	转动惯量 Moment of inertia /(kg·m ²)	净重 Weight /kg
		转速 Speed /(r/min)	电流 Current /A	效率 Eff (%)	功率因数 Power factor	额定电流 Rated current	额定转矩 Rated torque	额定转矩 Rated torque		
同步转速 1500r/min 4 极 Synchronous Speed 1500r/min 4P										
Y2-631-4	0.12	1310	0.44	57.0	0.72	4.4	2.1	2.2	—	—
Y2-632-4	0.18		0.62	60.0	0.73				—	—
Y2-711-4	0.25	1330	0.79	65.0	0.74	5.2	2.1	2.2	—	—
Y2-712-4	0.37		1.12	67.0	0.75				—	—
Y2-801-4	0.55	1390	1.57	71.0	0.75	5.2	2.4	2.3	0.0018	17
Y2-802-4	0.75		2.03	73.0	0.77	6.0			0.0021	18
Y2-90S-4	1.1	1400	2.82	75.0		0.79	7.0	2.3	2.3	0.0021
Y2-90L-4	1.5		3.7	78.0	0.79					0.0027
Y2-100L1-4	2.2	1430	5.16	80.0	0.81	7.0	2.3	2.3	0.0054	34
Y2-100L2-4	3.0		6.78	82.0	0.82				0.0067	38
Y2-112M-4	4.0	1440	8.83	84.0		0.83	7.2	2.2	2.3	0.0095
Y2-132S-4	5.5		11.7	85.0	0.83					0.0214
Y2-132M-4	7.5	1460	15.6	87.0	0.84	7.5	2.2	2.3	0.0296	81
Y2-160M-4	11		22.35	88.0	0.85				0.0747	123
Y2-160L-4	15	30.14	89.0	0.85		0.0918	144			
Y2-180M-4	18.5	1470	36.47	90.5	0.86	7.2	2.2	2.3	0.139	182
Y2-180L-4	22		43.14	91.0					0.86	0.158
Y2-200L-4	30	1480	57.63	92.0	0.87	7.2	2.2	2.3	0.262	270
Y2-225S-4	37		69.89	92.5					0.87	0.406
Y2-225M-4	45	1490	95.54	92.8	0.88	6.9	2.1	2.2	0.469	320
Y2-250M-4	55		103.1	93.0					0.88	0.66
Y2-280S-4	75	1490	139.7	93.8	0.89	6.9	2.1	2.2	1.12	562
Y2-280M-4	90		166.93	94.2					0.89	1.46
Y2-315S-4	110	1490	201.06	94.5	0.90	6.9	2.1	2.2	3.11	1000
Y2-315M-4	132		240.57	94.8					0.90	3.62
Y2-315L1-4	160	1490	287.95	94.9	0.90	6.9	2.1	2.2	4.13	1160
Y2-315L2-4	200		358.8	95.0					0.90	4.94
Y2-355M-4	250	1490	442.12	95.3	0.90	6.9	2.1	2.2	5.67	1700
Y2-355L-4	315		555.32	95.6					0.90	6.66

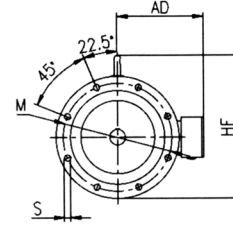
型号 Type	额定功率 Rated power/kW	满载时 Full load				堵转电流 Blocked current	堵转转矩 Blocked torque	最大转矩 Max torque	转动惯量 Moment of inertia /(kg·m ²)	净重 Weight /kg
		转速 Speed /(r/min)	电流 Current /A	效率 Eff (%)	功率因数 Power factor	额定电流 Rated current	额定转矩 Rated torque	额定转矩 Rated torque		
同步转速 1000r/min 6极 Synchronous Speed 1000r/min 6P										
Y2-711-6	0.18	850	0.74	56.0	0.66	4.0	1.9	2.0	—	—
Y2-712-6	0.25	850	0.95	59.0	0.68				—	—
Y2-801-6	0.37	890	1.3	62.0	0.70	4.7	1.9	2.0	0.00158	17
Y2-802-6	0.55		1.79	65.0	0.72				0.0021	19
Y2-90S-6	0.75	910	2.26	69.0	0.72	5.5	2.0	2.0	0.0029	23
Y2-90L-6	1.1		3.14	72.0	0.73				0.0035	25
Y2-100L-6	1.5	940	3.95	76.0	0.75	6.5	2.1	2.1	0.0069	33
Y2-112M-6	2.2		5.57	79.0	0.76				0.0138	45
Y2-132S-6	3.0	960	7.41	81.0	0.76	6.5	2.1	2.1	0.0286	63
Y2-132M1-6	4.0		9.64	82.0	0.77				0.0357	73
Y2-132M2-6	5.5	970	12.93	84.0	0.77	7.0	2.0	2.0	0.0449	84
Y2-160M-6	7.5		17.0	86.0	0.81				0.0881	119
Y2-160L-6	11	970	24.23	87.5	0.78	7.0	2.1	2.1	0.116	147
Y2-180L-6	15		31.63	89.0	0.81				0.207	195
Y2-200L1-6	18.5	980	38.1	90.0	0.83	7.0	2.0	2.0	0.315	220
Y2-200L2-6	22		44.52	90.0	0.84				0.360	250
Y2-225M-6	30	980	58.63	91.5	0.84	7.0	2.1	2.1	0.547	292
Y2-250M-6	37		71.08	92.0	0.86				0.834	408
Y2-280S-6	45	990	85.98	92.5	0.86	6.7	1.9	2.0	1.39	536
Y2-280M-6	55		104.75	92.8	0.87				1.65	595
Y2-315S-6	75	990	141.77	93.5	0.87	6.7	1.9	2.0	4.11	990
Y2-315M-6	90		169.58	93.8	0.88				4.28	1080
Y2-315L1-6	110	990	206.83	94.0	0.87	6.7	1.9	2.0	5.45	1150
Y2-315L2-6	132		244.82	94.2	0.88				6.12	1210
Y2-355M1-6	160	990	291.52	94.5	0.88	6.7	1.9	2.0	8.85	1600
Y2-355M2-6	200		363.64	94.7	0.88				9.55	1700
Y2-355L-6	250	990	453.60	94.9	0.88	6.7	1.9	2.0	10.63	1800



型号 Type	额定功率 Rated power/kW	满载时 Full load				堵转电流 Blocked current	堵转转矩 Blocked torque	最大转矩 Max torque	转动惯量 Moment of inertia /(kg·m ²)	净重 Weight /kg
		转速 Speed /(r/min)	电流 Current /A	效率 Eff (%)	功率因数 Power factor	额定电流 Rated current	额定转矩 Rated torque	额定转矩 Rated torque		
同步转速 750r/min 8 极 Synchronous Speed 750r/min 8P										
Y2-801-8	0.18	630	0.88	51.0	0.61	3.3	1.9	0.00158	17	
Y2-802-8	0.25	640	1.15	54.0				0.0021	19	
Y2-90S-8	0.37	660	1.49	62.0		4.0		0.0029	23	
Y2-90L-8	0.55		2.18	63.0	0.0035		25			
Y2-100L1-8	0.75	690	2.43	71.0	0.67	1.8	0.0069	33		
Y2-100L2-8	1.1		3.42	73.0	0.69		5.0	0.0107	38	
Y2-112M-8	1.5	680	4.47	75.0	0.71	5.0	0.0149	50		
Y2-132S-8	2.2	710	6.04	78.0			0.73	0.0314	63	
Y2-132M-8	3.0		7.9	79.0			0.73	0.0395	79	
Y2-160M1-8	4.0	720	10.28	81.0	0.73	6.0	1.9	0.0753	118	
Y2-160M2-8	5.5		13.61	83.0	0.74		2.0	0.0931	119	
Y2-160L-8	7.5		17.88	85.5	0.75	2.0	0.126	145		
Y2-180L-8	11	730	25.29	87.5	0.76	6.6	2.0	0.203	184	
Y2-200L-8	15		34.09	88.0				0.339	250	
Y2-225S-8	18.5		40.58	90.0				0.491	266	
Y2-225M-8	22	740	47.37	90.5	0.78	6.6	1.9	0.547	292	
Y2-250M-8	30		63.43	91.0	0.79			0.834	405	
Y2-280S-8	37		76.83	91.5	0.79	1.39		520		
Y2-280M-8	45	740	92.93	92.0	0.81	6.4	1.8	1.65	592	
Y2-315S-8	55		112.97	92.8				4.79	1000	
Y2-315M-8	75		151.33	93.0				5.58	1100	
Y2-315L1-8	90	177.86	93.8	0.82	6.4	1.8	6.37	1160		
Y2-315L2-8	110	216.92	94.0				7.23	1230		
Y2-355M1-8	132	260.3	93.7				10.55	1600		
Y2-355M2-8	160	310.07	94.2	0.83	6.4	1.8	11.73	1700		
Y2-355L-8	200	386.36	94.5				0.83	12.86	1800	
同步转速 600r/min 10 极 Synchronous Speed 600r/min 10P										
Y2-315S-10	45	590	99.67	91.5	0.75	6.2	1.5	2.0	4.79	810
Y2-315M-10	55		121.16	92.0	0.75				6.37	930
Y2-315L1-10	75		162.16	92.5	0.76				7.0	1045
Y2-315L2-10	90		191.03	93.0	0.77	0.78	6.0	1.3	7.15	1115
Y2-355M1-10	110		230	93.2	12.55				1500	
Y2-355M2-10	132		275.11	93.5	13.75				1600	
Y2-355L-10	160		333.47	93.5	14.86				1700	



机座号 63-200



机座号 225-280

Y2 系列电机外形及安装尺寸 Dimensions of Y2 Series Motors

机座号 Frame size	安装尺寸及外形尺寸 Mounting Dimensions																					
	D		E		FxGD		G		M	N	P	S	T	AC	AD	LA	HF	L1				
	2P	4-10P	2P	4-10P	2P	4-10P	2P	4-10P										2P	4-10P			
63M	11		23		4X4		8.5		115	95	140	10	3	130	70	10	130	207				
71M	14		30		5X5		11		130	110	160		3.5	145	80	10	145	225				
80M	19		40		6X6		15.5		165	130	200		12	175	145	12	185	255				
90S	24		50		8X7		20					195	155	12	195	270						
90L													12		295							
100L	28		60				24		215	180	250	15	4	215	180	14	245	325				
112M													240	190	14	265	340					
132S	38		80		10X8		33		265	230	300		4	275	210	14	315	390				
132M														14			430					
160M	42		110		12X8		37		300	250	350	19	5	330	255	16	385	505				
160L																16			560			
180M	48						14X9							42.5		380	280	18	430	590		
180L											18					630						
200L	55				16X10		49		350	300	400	420	305	18	480	660						
225S		60		140	16X10	18X11		53	400	350	450	5	20	535	20	535	675					
225M	55	60	110	140			49	53									710	705				
250M	60	65	140		18X11		53	58	500	450	550						510	370	22	595	770	
280S	65	75					18X11	20X12									58	67.5	22	650	845	
280M																895						
315S	65	80	140	170	18X11	22X14	58	71	600	550	660	24	6	645	530	25	845	1020	1100			
315M																25		1050	1130			
315L ₁	65	80	140	170	18X11	22X14	58	71	600	550	660	24	6	645	530	25	845	1020	1100			
315L ₂																25		1050	1130			



附录 B

Appendix B

YEJ 系列电机安装及外形尺寸 Dimensions of YEJ Series Motors

机座号 Fram size	80	90S	90L	100L	112M	132S	132M	160M	160L	180M	180L	200L	225S	225M
L1	350	370	395	420	450	505	545	610	655	715	765	790	860	890

注:图形参照附录 A,其它尺寸同 Y2 系列电机。

Note: See appendix A for dimensional drawings. Other dimensions are same as Y2 motors.

附录 C

Appendix C

G...系列减速电机最大输出转矩表

Max. Output Torque Table, G... type Geared Morors

GRX系列 GRX Type

机型号 Type size	GRX57	GRX67	GRX77	GRX87	GRX97	GRX107	GRX137							
最大输出转矩 Max. output torque (Nm)	70	135	215	400	600	830	1500							

GR系列 GR Type

机型号 Type size	GR..17	GR..27	GR..37	GR..47	GR..57	GR..67	GR..77	GR..87	GR..97	GR..107	GR..137	GR..147	GR..167	GR..177
最大输出转矩 Max. output torque (Nm)	85	130	200	300	450	600	820	1550	3000	4300	8000	13000	18000	36600

GS系列 GS Type

机型号 Type size	GS..37	GS..47	GS..57	GS..67	GS..77	GS..87	GS..97	GS..100						
最大输出转矩 Max. output torque (Nm)	87	170	300	520	1220	2300	4000	6500						

GK系列 GK Type

机型号 Type size	GK..37	GK..47	GK..57	GK..67	GK..77	GK..87	GK..97	GK..107	GK..127	GK..157	GK..167	GK..187		
最大输出转矩 Max. output torque (Nm)	200	400	600	820	1550	2700	4300	8000	13000	18000	32000	50000		

GF系列 GF Type

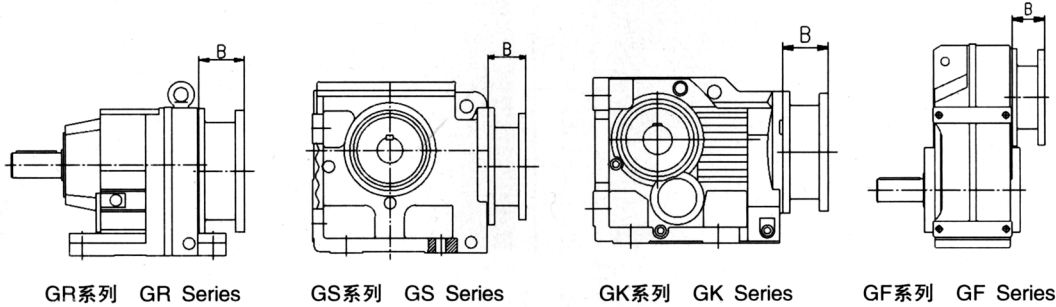
机型号 Type size	GF..37	GF..47	GF..57	GF..67	GF..77	GF..87	GF..97	GF..107	GF..127	GF..157				
最大输出转矩 Max. output torque (Nm)	200	400	600	820	1550	2700	4300	8000	13000	18000				

注:表中所列为减速电机最大载转矩。实际上,同一规格的减速电机在不同传动比时,其最大承载矩有可能不同,必要时,此值可按“选型参数表”中的输出转矩 M_a 乘以使用系数 f_B 求得。瞬时过载能力可达最大转矩的 1.8 倍。

Note: List date is gearmotor's max.output torque. In fact the torque see selection table,the value equal the rate torque and service factor product. On request, please contact us.

附录 D

Appendix D



GR系列 GR Series

GS系列 GS Series

GK系列 GK Series

GF系列 GF Series

法兰尺寸 B(连接 Y 或 Y2 标准电机)

The dimension B of the flange for Y or Y2 series motors

GR系列 GR Series

机型 \ 电机	63	71	80	90	100	112	132	160	180	200	225	250	280	315
GR...17/27/37	45	50.5	60.5	60.5	85.5									
GR...47/57/67	44.5	50	69	69	81	81	93							
GR...77/GRX77	44.5	50	70	70	75	75	96.5	125						
GR...87/GRX87			70	70	82	82	92	130	130					
GR...97/GRX97			65	65	81.5	81.5	92	125	125	152				
GR...107/GRX107					68	68	106	126	126	140	170			
GR...137/GRX137							106	127	127	140	170	192.5	192.5	
GR...147								120	120	139	169	192.5	192.5	
GR...167/177								115	115	160	170	192.5	192.5	260
GRX...57/67	44.5	50	69	69	81	81	93							

GS系列 GS Series

机型 \ 电机	63	71	80	90	100	112	132	160	180	200				
GS...37/47/57	45	50.5	60.5	60.5	85.5									
GS...67	44.5	50	69	69	81	81	93							
GS...77	44.5	50	70	70	75	75	96.5	125						
GS...87			70	70	82	82	92	130	130					
GS...97			65	65	81.5	81.5	92	125	125					
GS...100					68	68	106	126	126	140				

GK系列 GK Series

机型 \ 电机	63	71	80	90	100	112	132	160	180	200	225	250	280	315
GK...37	45	50.5	60.5	60.5	85.5									
GK...47/57/67	44.5	50	69	69	81	81	93							
GK...77	44.5	50	70	70	75	75	96.5	125						
GK...87			70	70	82	82	92	130	130					
GK...97				65	81.5	81.5	92	125	125	152				
GK...107					68	68	106	126	126	140	170			
GK...127							98.5	120	120	139	169	192.5	192.5	
GK...157/167/187								115	115	160	170	192.5	192.5	260

GF系列 GF Series

机型 \ 电机	63	71	80	90	100	112	132	160	180	200	225	250	280	315
GF...37/47	45	50.5	60.5	60.5	85.5									
GF...57/67	44.5	50	69	69	81	81	93							
GF...77	44.5	50	70	70	75	75	96.5	125						
GF...87			70	70	82	82	92	130	130					
GF...97				65	81.5	81.5	92	125	125	152				
GF...107					68	68	106	126	126	140	170			
GF...127							98.5	120	120	139	169	192.5	192.5	
GF...157								115	115	160	170	192.5	192.5	260



GM—GR/GS/GK/GF

